



# Spare Parts for Ovens & Combi Ovens



Spare parts suitable for

# ALTOSHAAM

# 2018

Find the complete and up-to-date range of products in our GEV Webshop



## heating elements

## heating elements for ovens



1

<b>GEV No.</b>	420576	<b>Ref. No.</b>	EL-35216 EL38643R
<b>description</b>	heating element 452/600W 208/240V heating circuits 1 L 170mm W 140mm L1 60mm L2 110mm W1 55mm W2 30mm flange length 60mm flange width 42mm hole ø 5mm tube ø 8.5mm connection M4 windings 2		

## heating cables

## miscellaneous



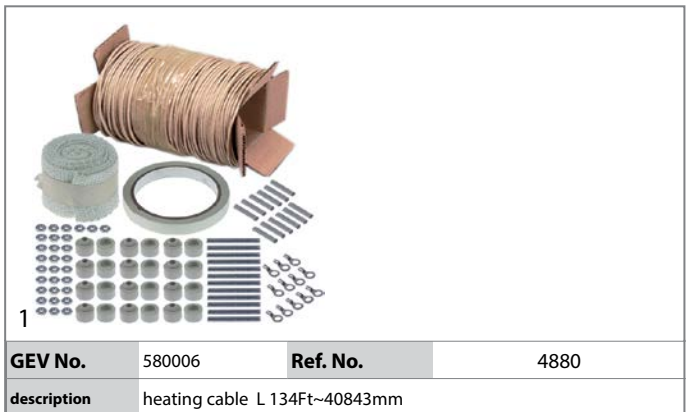
1

<b>GEV No.</b>	580139	<b>Ref. No.</b>	4878
<b>description</b>	heating cable kit		



1

<b>GEV No.</b>	420280	<b>Ref. No.</b>	4881 CB-3045
<b>description</b>	heating cable kit L 210Ft~64008mm for heated cabinet		



1

<b>GEV No.</b>	580006	<b>Ref. No.</b>	4880
<b>description</b>	heating cable L 134Ft~40843mm		

## heating cartridges

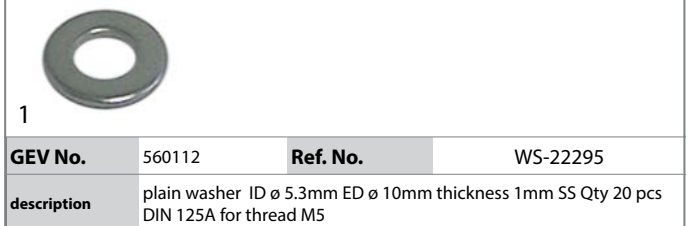


1

<b>GEV No.</b>	419035	<b>Ref. No.</b>	CB-3538
<b>description</b>	heating cartridge 230W 240V ø 12.5mm L 112mm thread 5/8"-18UNF cable length 150mm		

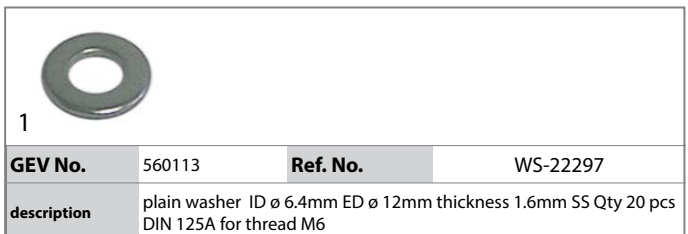
## accessories

## washers



1

<b>GEV No.</b>	560112	<b>Ref. No.</b>	WS-22295
<b>description</b>	plain washer ID ø 5.3mm ED ø 10mm thickness 1mm SS Qty 20 pcs DIN 125A for thread M5		



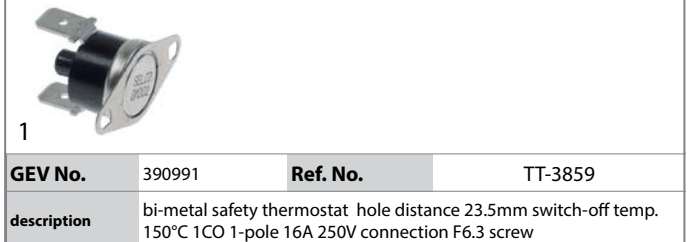
1

<b>GEV No.</b>	560113	<b>Ref. No.</b>	WS-22297
<b>description</b>	plain washer ID ø 6.4mm ED ø 12mm thickness 1.6mm SS Qty 20 pcs DIN 125A for thread M6		

## thermostats

## bi-metal thermostats

## safety bi-metal thermostats



1

<b>GEV No.</b>	390991	<b>Ref. No.</b>	TT-3859
<b>description</b>	bi-metal safety thermostat hole distance 23.5mm switch-off temp. 150°C 1CO 1-pole 16A 250V connection F6.3 screw		

control and safety thermostats

EGO

safety thermostats

55.13\_ series



<b>GEV No.</b>	390126	<b>Ref. No.</b>	TT3750
<b>description</b>	safety thermostat switch-off temp. 340°C 1-pole 1NC 16A probe ø 3.1mm probe L 201mm capillary pipe 1170mm capillary pipe isolatedmm gland nut probe SS		

55.32\_ series



<b>GEV No.</b>	375474	<b>Ref. No.</b>	TT-33325
<b>description</b>	safety thermostat t.max. 340°C switch-off temp. 340°C 2-pole 1NC/1CO 1x20/1x0.5A probe ø 4mm probe L 120mm capillary pipe 1300mm capillary pipe isolated 900mm gland nut probe		

INVENSYS / ROBERTSHAW

control thermostats



<b>GEV No.</b>	390992	<b>Ref. No.</b>	TT-3978
<b>description</b>	thermostat t.max. 121.111°C temperature range 15.55-121.11°C 1-pole 1NO 16A probe ø 5mm probe L 400mm capillary pipe 850mm capillary pipe isolatedmm gland nut shaft ø 6x4.6mm shaft L 21mm shaft position lower rotation 315° 60-250°F		

<b>GEV No.</b>	390875	<b>Ref. No.</b>	TT-3498
<b>description</b>	thermostat t.max. 232.2°C temperature range 37.77-232.22°C 1-pole 1NO 30A probe ø 5mm probe L 280mm capillary pipe 900mm capillary pipe isolatedmm gland nut shaft L 24mm rotation 315° 100-450°F t.max. 450°F		

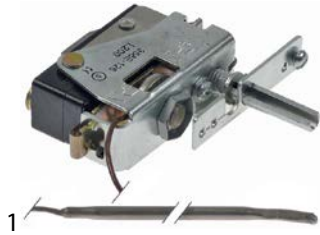
<b>GEV No.</b>	580075	<b>Ref. No.</b>	TT3057 TT3058
<b>description</b>	thermostat t.max. 93°C temperature range 15-93°C 1-pole 1NO 15A probe ø 5mm probe L 400mm capillary pipe 1000mm capillary pipe isolatedmm gland nut shaft ø 6x4.6mm shaft L 22mm operating temperature range 60-200°F		

<b>GEV No.</b>	390993	<b>Ref. No.</b>	TT-33432
<b>description</b>	thermostat t.max. 93°C temperature range 15-93°C 1-pole 1NO 15A probe ø 5mm probe L 400mm capillary pipe 2100mm capillary pipe isolatedmm gland nut shaft ø 6x4.6mm shaft L 22mm operating temperature range 60-200°F		

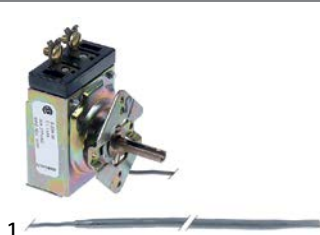


various

control thermostats



<b>GEV No.</b>	390994	<b>Ref. No.</b>	TT-33626
<b>description</b>	thermostat t.max. 121.11°C temperature range adjustable°C 1-pole 1NO 16A probe ø 4mm probe L 250mm capillary pipe 2140mm capillary pipe isolatedmm gland nut shaft ø 6x4.6mm shaft L 21mm shaft position° shaft position right rotation°		
<b>For models:</b>	750-S-HD		



<b>GEV No.</b>	580008	<b>Ref. No.</b>	TT3329
<b>description</b>	thermostat temperature range 37.77-162.78°C probe ø 5mm probe L 300mm capillary pipe 950mm shaft ø 6x4.6mm shaft L 23mm operating temperature range 100-325°F		

switches and momentary switches

rocker/momentary rocker switches

28x13.5mm



<b>GEV No.</b>	348099	<b>Ref. No.</b>	SW-3409
<b>description</b>	rocker switch mounting measurements 27.4x12.4mm black 1CO 250V 10A with neutral position connection male faston 6.3mm ambient temperature max. 85°C protection IP40		

30x22mm



<b>GEV No.</b>	301004	<b>Ref. No.</b>	SW-3887	
<b>description</b>	rocker switch mounting measurements 30x22mm black 2CO 250V 16A connection male faston 6.3mm ambient temperature max. 125/55°C protection IP40			
<b>accessories for</b>	301004			
	<b>GEV No.</b>	301036	<b>Ref. No.</b>	—
	protective cover internal size 30x22mm for rocker switch mounting measurementsmm			



<b>GEV No.</b>	346377	<b>Ref. No.</b>	SW-34788	
<b>description</b>	rocker switch mounting measurements 30x22mm black 2CO 230V 16A 0-1 connection male faston 6.3mm ambient temperature max. 125/55°C protection IP40			
<b>accessories for</b>	346377			
	<b>GEV No.</b>	301036	<b>Ref. No.</b>	—
	protective cover internal size 30x22mm for rocker switch mounting measurementsmm			

37x21mm



<b>GEV No.</b>	348250	<b>Ref. No.</b>	SW-34112
<b>description</b>	rocker switch mounting measurements 37x21mm black 2CO 125-277V 20A with neutral position connection male faston 6.3mm ambient temperature max.°C protection		



<b>GEV No.</b>	347969	<b>Ref. No.</b>	SW-34769
<b>description</b>	rocker switch mounting measurements 37x21mm black 2NO 250V 10A 0-1 connection male faston 6.3mm ambient temperature max. 85°C protection IP44		



<b>GEV No.</b>	348153 <sup>1</sup>	<b>Ref. No.</b>	5010847
<b>description</b>	rocker switch mounting measurements 37x21mm black 2NO 250V 10A 0-1 connection male faston 6.3mm ambient temperature max. 85°C protection IP44 mounting frame inclusive		

<sup>1</sup>with accessories

toggle switches

M12x0.75





<b>GEV No.</b>	348151	<b>Ref. No.</b>	SW3040
<b>description</b>	toggle switch 2NO 250V screw		



<b>GEV No.</b>	348154	<b>Ref. No.</b>	SW-3041
<b>description</b>	toggle switch thread M10x0.75 1NO 120-240V 12/20A ON-OFF screw		



			
1			
<b>GEV No.</b>	348055	<b>Ref. No.</b>	SW-3616
<b>description</b>	toggle switch thread M12x0.75 2CO 250V 15A ON-OFF-ON screw		

			
1			
<b>GEV No.</b>	348246	<b>Ref. No.</b>	SW-3528
<b>description</b>	toggle switch thread M12x0.75 2NO 250V 20A ON-OFF male faston 6.3mm		


**lamps**

**indicator lights**

**indicator lights (complete)**

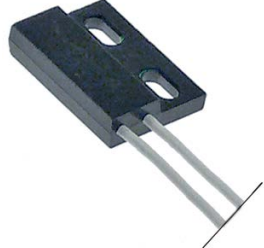
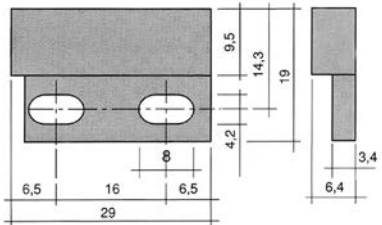
ø12mm

with plug-in socket

			
1			
<b>GEV No.</b>	580014	<b>Ref. No.</b>	LI3025 LI3027
<b>description</b>	indicator light ø 12mm 230V red		

**magnetic switches**


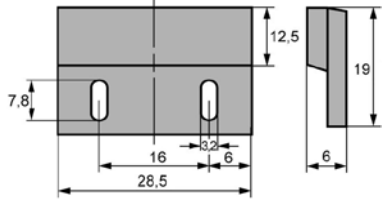
29x19mm

			
1			
			
<b>GEV No.</b>	348050 <sup>1</sup>	<b>Ref. No.</b>	LT-3738
<b>description</b>	magnetic switch L 29mm W 19mm 1NO 250V 0.5A P max. 10W connection plug cable length 290mm		


<sup>1</sup>with coded connector

**accessories**


**magnets**

			
1			
			
<b>GEV No.</b>	345700	<b>Ref. No.</b>	MA3739
<b>description</b>	magnet ømm L 29mm H 6.5mm W 19mm hole distance 16mm M3 hole ø 3.5mm		

30x13mm

			
1			
<b>GEV No.</b>	346547	<b>Ref. No.</b>	LI-3516
<b>description</b>	indicator light mounting measurements 27.4x12.4mm 230V red connection male faston 6.3mm temp.-resist. 120°C		


34x10mm

			
1			
<b>GEV No.</b>	357265	<b>Ref. No.</b>	LI-3024
<b>description</b>	indicator light mounting measurements 34x10mm red/orange 250V connection male faston 6.3mm		

**screw-on/push-on fit**

**halogen lamp**

for socket G4 / G6.35 / G9

			
1			
<b>GEV No.</b>	357193	<b>Ref. No.</b>	LP-34213
<b>description</b>	halogen lamp socket G4 12V 20W temp.-resist. 300°C OSRAM HALOSTAR OVEN		



### oven lamps

#### universal oven lamps

55x70mm



<b>GEV No.</b>	359297	<b>Ref. No.</b>	CV-26607
----------------	--------	-----------------	----------

**description** frame L 95mm W 81mm mounting distance 68/83mm thickness 6mm

**accessories for** 359297

<b>GEV No.</b>	359299	<b>Ref. No.</b>	GS-26609
----------------	--------	-----------------	----------

**description** gasket L 91mm W 77mm hole ø 3mm for oven lamp



<b>GEV No.</b>	359299	<b>Ref. No.</b>	GS-26609
----------------	--------	-----------------	----------

**description** gasket L 91mm W 77mm hole ø 3mm for oven lamp

### lamps

#### halogen lamps

for socket G4 / G6.35 / G9

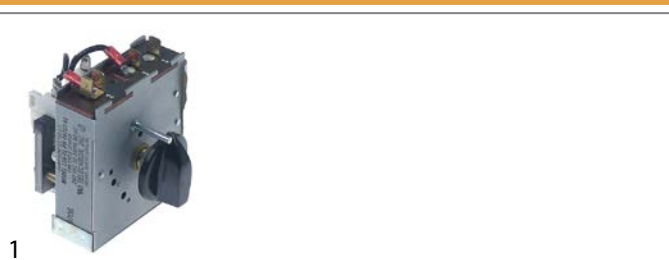


<b>GEV No.</b>	357193	<b>Ref. No.</b>	LP-34213
----------------	--------	-----------------	----------

**description** halogen lamp socket G4 12V 20W temp.-resist. 300°C OSRAM HALOSTAR OVEN

### timers

#### electric timers



<b>GEV No.</b>	580007	<b>Ref. No.</b>	5013469 TR3318
----------------	--------	-----------------	-------------------

**description** timer 240V operation time 12h

### contactors

#### HARTLAND

#### power contactors



<b>GEV No.</b>	381560	<b>Ref. No.</b>	CN-3052
----------------	--------	-----------------	---------

**description** power contactor resistive load 35A 208/240VAC 25A/7.5HP (AC3/240V) 25A/5.6kW main contacts 3NO connection screw clamp/ male faston 6.3mm type HCC-3XU01CY

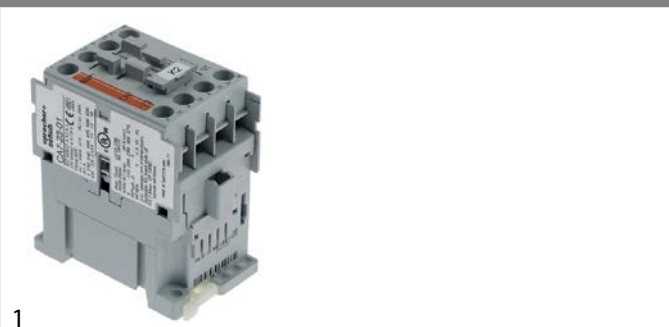


<b>GEV No.</b>	381284	<b>Ref. No.</b>	CN-3062
----------------	--------	-----------------	---------

**description** power contactor resistive load 40A 208/240VAC 30A/10HP (AC3/240V) 30A/7.46kW main contacts 3NO auxiliary contacts connection screw clamp/male faston 6.3mm type HCCY3XU02CY

#### SPRECHER+SCHUH

#### power contactors




<b>GEV No.</b>	381396	<b>Ref. No.</b>	CN-3654
----------------	--------	-----------------	---------

**description** power contactor resistive load 32A 220VAC (AC3/400V) 20A/11kW main contacts 3NO auxiliary contacts 1NC connection screw type CA7-23-01



## solid state relays

### CRYDOM

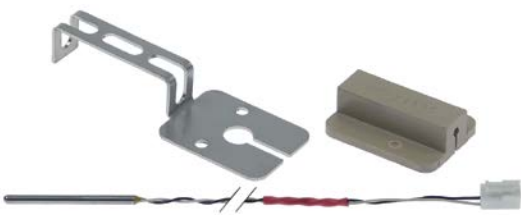
			
1			
<b>GEV No.</b>	403662	<b>Ref. No.</b>	RL-3736
<b>description</b>	solid state relay CRYDOM 1 phase 25A 240V 90-280VAC L 57mm W 44.6mm screw connection type A2425		



### miscellaneous


			
1			
<b>GEV No.</b>	403789	<b>Ref. No.</b>	RL-3583
<b>description</b>	solid state relay TELEDYNE 25A 12-280V 4-30VDC L 58mm W 44mm screw type S24D25		


## probes

### producer-specific probes

			
1			
<b>GEV No.</b>	378668	<b>Ref. No.</b>	5022355 PR34494
<b>description</b>	temperature probe Pt1000 cable PTFE probe -40 up to +250°C cable -40 up to +250°C connection plug thread probe ø3x45mm cable length 3m		


			
1			
<b>GEV No.</b>	379800	<b>Ref. No.</b>	5002100
<b>description</b>	temperature probe thermocouple K (NiCr-Ni) cable silicone probe -50 up to 1150°C cable -50 up to +180°C connection 2-wire thread M5 probe ø4x20mm cable length 3m		
<b>accessories for</b>	379800		
	<b>GEV No.</b>	521012	<b>Ref. No.</b>
			—
	gasket graphite ED ø 15mm ID ø 5mm thickness 1.2mm Qty 1 pcs		

			
1			
<b>GEV No.</b>	378507	<b>Ref. No.</b>	PR-33751
<b>description</b>	temperature probe thread M5 cable length 3m		

			
1			
<b>GEV No.</b>	378686	<b>Ref. No.</b>	PR-34298
<b>description</b>	core temperature probe Pt100 connection snap-on connection probe ø4x115mm cable length 920m handle ø 14mm handle length 58mm		

## keypads

### front foils


			
1			
<b>GEV No.</b>	403965	<b>Ref. No.</b>	PE-2689
<b>description</b>	keypad foil suitable for ALTO SHAAM for 1000-TH-I mounting pos. upper L 548mm W 108mm		

## solenoid valves

### solenoid valves (water)

#### ROBERTSHAW/INVENSYS

medium temperature: 90°C 90°C 60°C  
 ambient temperature: 60°C 25°C 60°C  
 duty cycle: 40% 100% 100%

			
1			
<b>GEV No.</b>	372022	<b>Ref. No.</b>	VA-34045
<b>description</b>	solenoid valve double straight 230VAC inlet 3/4" outlet 14mm DN10 EATON (INVENSYS)		





			
1			
<b>GEV No.</b>	372018	<b>Ref. No.</b>	VA-34300
<b>description</b>	solenoid valve single straight 230VAC inlet 3/4" outlet 14mm DN10 EATON (INVENSYS) flow regulating valve outlet flow regulating valve inlet white		
<b>spare parts for</b>	372018		
	<b>GEV No.</b>	371122	<b>Ref. No.</b>
			—
	solenoid valve filter ø 19mm H 10mm suitable for MÜLLER		

Table continues overleaf




spare parts for 372018			
GEV No.	371131	Ref. No.	—
 solenoid coil 230VAC			

			
1			
GEV No.	602202	Ref. No.	FA-3343
description	fan wheel turn direction clockwise W 3" intake 3/16" blades 10 blade angle 24°		

## fans


### axial fans

#### import

			
1			
GEV No.	601080 <sup>1</sup>	Ref. No.	FA-3568
description	axial fan L 119mm W 119mm H 38mm 230VAC 50/60Hz 23/20W bearing ball bearing connection male faston 2.8mm metal ADDA fan wheel ø 110mm temp.-resist. 70°C		
accessories for	601080		
GEV No.	550898	Ref. No.	—
	connecting cable cable length 2000mm connection F 2.8 connection distance 7.9mm for axial flow fan		
GEV No.	692519	Ref. No.	—
	guard L 120mm W 120mm plastic		

<sup>1</sup>with ball bearings

### cooling fans


			
1			
GEV No.	602189	Ref. No.	FA-3342
description	fan motor 230V 60Hz 0.005kW 0.0067HP 0.24A 3000rpm shaft 3/16" shaft L 26mm H 76mm W 61mm D 40mm cable length 300mm		

## ignition parts

### pilot burners

#### HONEYWELL

#### pilot burners

			
1			
GEV No.	102490	Ref. No.	BN-33371
description	pilot burner 1 flame		

## equipmentspecific units


### for convection ovens/combi-steamers

#### spare parts and accessories

			
1			
GEV No.	696878	Ref. No.	11906
description	grease collecting tray suitable for ALTO SHAAM W 470mm D 653mm H 48mm		

#### door mechanics

#### miscellaneous

			
1			
GEV No.	504873	Ref. No.	CV-22171
description	cover for hinge W 18mm H 88mm		





miscellaneous



1			
<b>GEV No.</b>	542458	<b>Ref. No.</b>	HR-2176
<b>description</b>	cable run 5-fold L 550mm bore ø 9mm W 67mm		

for ovens

miscellaneous



1			
<b>GEV No.</b>	696772	<b>Ref. No.</b>	4652 4652R
<b>description</b>	container for smoke oven L 245mm W 110mm H 67mm		

knobs

universal knobs



1			
<b>GEV No.</b>	110124	<b>Ref. No.</b>	KN3468
<b>description</b>	knob thermostat t.max. 350°C t.max.°F 100-350°C°F ø 50mm shaft ø 6x4.6mm shaft flat upper black temperature range 100-350°C rotation 270°		
<b>accessories for</b>	110124		
	<b>GEV No.</b>	<b>Ref. No.</b>	—
	110135		
	rosette knob up to ø 52mm		



1			
<b>GEV No.</b>	580142	<b>Ref. No.</b>	KN-26568
<b>description</b>	knob zero mark ø 48mm shaft ø 6x4.6mm shaft flat lower black		

producer-specific knobs

ALTO-SHAAM



1			
<b>GEV No.</b>	580143	<b>Ref. No.</b>	KN-3765
<b>description</b>	knob ø 32mm shaft ø 5X3mm black		



1			
<b>GEV No.</b>	110124	<b>Ref. No.</b>	KN3468
<b>description</b>	knob thermostat t.max. 350°C t.max.°F 100-350°C°F ø 50mm shaft ø 6x4.6mm shaft flat upper black temperature range 100-350°C rotation 270°		
<b>accessories for</b>	110124		
	<b>GEV No.</b>	<b>Ref. No.</b>	—
	110135		
	rosette knob up to ø 52mm		



1			
<b>GEV No.</b>	111491	<b>Ref. No.</b>	KN-3474
<b>description</b>	knob thermostat t.max. 90°C t.max.°F 15-90°C°F ø 48mm shaft ø 6x4.6mm shaft flat lower		
<b>For models:</b>	750-S-HD		



1			
<b>GEV No.</b>	580011	<b>Ref. No.</b>	KN3469
<b>description</b>	knob thermostat t.max.°C t.max. 200°F°C 60-200°F ø 49mm shaft ø 6x4.6mm shaft flat lower		
<b>For models:</b>	750-S-HD		



mechanical components, equipment accessories



1

<b>GEV No.</b>	580142	<b>Ref. No.</b>	KN-26568
<b>description</b>	knob zero mark ø 48mm shaft ø 6x4.6mm shaft flat lower black		

## handles and hand wheels

### cone handles



1

<b>GEV No.</b>	110704	<b>Ref. No.</b>	536000300
<b>description</b>	cone handle thread M6 ø 16mm L 25mm plastic black		

## locks

### turning lever locks

#### producer-specific

#### ALTO-SHAAM



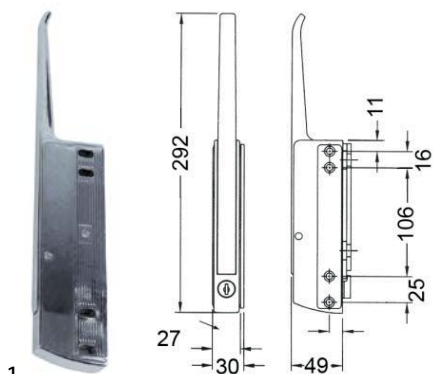
1

<b>GEV No.</b>	699495	<b>Ref. No.</b>	HD-26966
<b>description</b>	handle latch H 40mm L 205mm combi-steamer mounting distance 40mm mounting pos. right		

### edgmount latches

#### magnetic locks

#### CHG



1

<b>GEV No.</b>	690208	<b>Ref. No.</b>	HD2007
<b>description</b>	magnetic lock L 168mm mounting distance 105/147mm non lockable refrigeration units R25		

### miscellaneous



1

<b>GEV No.</b>	701661	<b>Ref. No.</b>	HD-22042
<b>description</b>	magnetic lock L 267mm mounting distance 1 117.5mm mounting distance 2 16mm non lockable suitable for ALTO SHAAM with screws		

### snap locks

#### universal



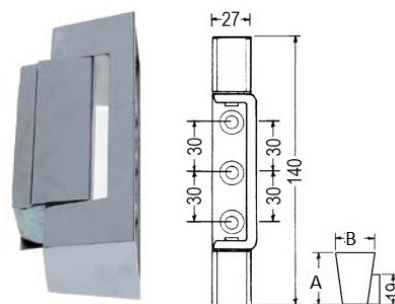
1

<b>GEV No.</b>	692945	<b>Ref. No.</b>	LT-2040
<b>description</b>	snap lock L 58mm W 11mm H 18mm mounting distance 46mm		


## hinges

### edgmount hinges

#### CHG




1

<b>GEV No.</b>	690294	<b>Ref. No.</b>	HG-2014
<b>description</b>	edgmount hinge L 140mm mounting distance 30/30mm hinging left/right without lift L1 33mm L2 30mm series R42		
<b>spare parts for</b>	690294		
	<b>GEV No.</b>	690292	<b>Ref. No.</b>
			—
	spring for R42 (140mm)		




miscellaneous



1

<b>GEV No.</b>	701662	<b>Ref. No.</b>	HG-2015
<b>description</b>	edgemount hinge L 127mm W 18mm mounting distance 22.2mm hinging left/right suitable for ALTO SHAAM with cover with screws		
<b>For models:</b>	750-S-HD		




1

<b>GEV No.</b>	701664	<b>Ref. No.</b>	CS-2026
<b>description</b>	swivel castor with brake ø 127mm plate fixing bearing ball bearing plate size 112x96mm hole distance 70x85mm capacity 136kg tread polyurethane H 158mm wheel width 32mm		

## pullouts


rollers

rollers



1

<b>GEV No.</b>	692927	<b>Ref. No.</b>	BG-2410
<b>description</b>	roller rollerø 23.2mm 6.5mm A 23.2mm B 6.5mm C 8mm D 1/4"-20UNC=ø6.35mm x 1.27mm E 13mm bearing ball bearing thread 1/4"-20UNC=ø6.35mm x 1.27 thread L 8mm Qty 1 pcs		




1

<b>GEV No.</b>	692928	<b>Ref. No.</b>	BG-24890
<b>description</b>	roller rollerø 28.1mm 9.6mm A 28.1mm B 9.6mm C 17.2mm ø 13mm bore ø 6.35mm seat ø 11.5mm suitable for ALTO SHAAM		

## miscellaneous

with fixing plate

ø127mm/5"




1

<b>GEV No.</b>	701663	<b>Ref. No.</b>	CS-2025
<b>description</b>	fixed castor ø 127mm plate fixing bearing slide bearing plate size 112x96mm hole distance 70x85mm capacity 136kg tread polyurethane H 158mm wheel width 32mm		

## shelves and shelf rails


### grates

producer-specific



1


<b>GEV No.</b>	970993	<b>Ref. No.</b>	SH-2325
<b>description</b>	grate W 453mm D 628mm H 31mm stainless steel wire gauge frame 8mm lengthwise wires gauge 4.5mm crossing wires 1 ALTO SHAAM		



1

<b>GEV No.</b>	970994	<b>Ref. No.</b>	SH-2324
<b>description</b>	grate W 533mm D 628mm H 31mm stainless steel wire gauge frame 8mm lengthwise wires gauge 4.5mm crossing wires 1 ALTO SHAAM		
<b>For models:</b>	750-S-HD		

### grid attachments



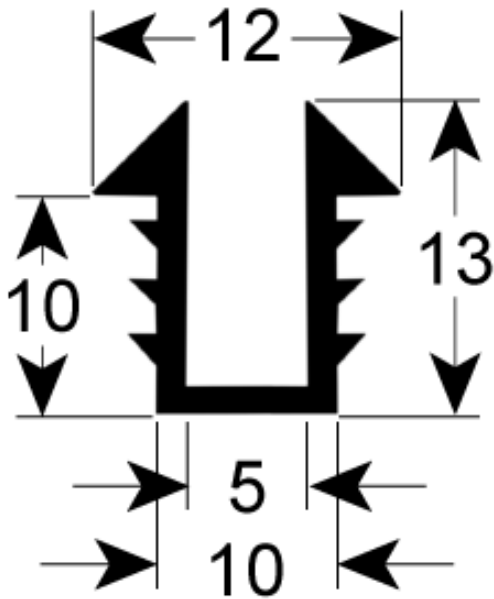
1

<b>GEV No.</b>	696898	<b>Ref. No.</b>	SR-2266
<b>description</b>	rack support L 515mm H 570mm mounting pos. left/right		

**gaskets**

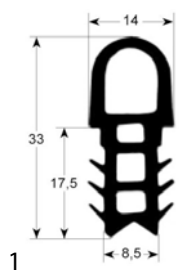
**gaskets for heated units**

**window seals**

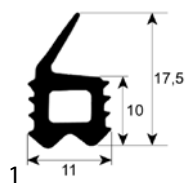


<b>GEV No.</b>	902509	<b>Ref. No.</b>	GS-2721
<b>description</b>	window gasket profile 1903 L 2100mm Qty 1 mounting pos. window		

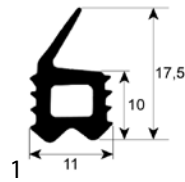
**door seals**



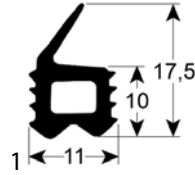
<b>GEV No.</b>	901675	<b>Ref. No.</b>	GS-25550
<b>description</b>	door seal profile 2060 W 420mm L 475mm external size Qty 1		



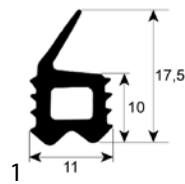
<b>GEV No.</b>	901312	<b>Ref. No.</b>	GS-23790
<b>description</b>	door seal profile 2708 W 385mm L 545mm external size		



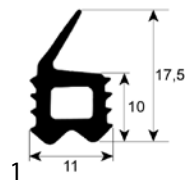
<b>GEV No.</b>	901313	<b>Ref. No.</b>	GS-23794
<b>description</b>	door seal profile 2708 W 500mm L 730mm external size		



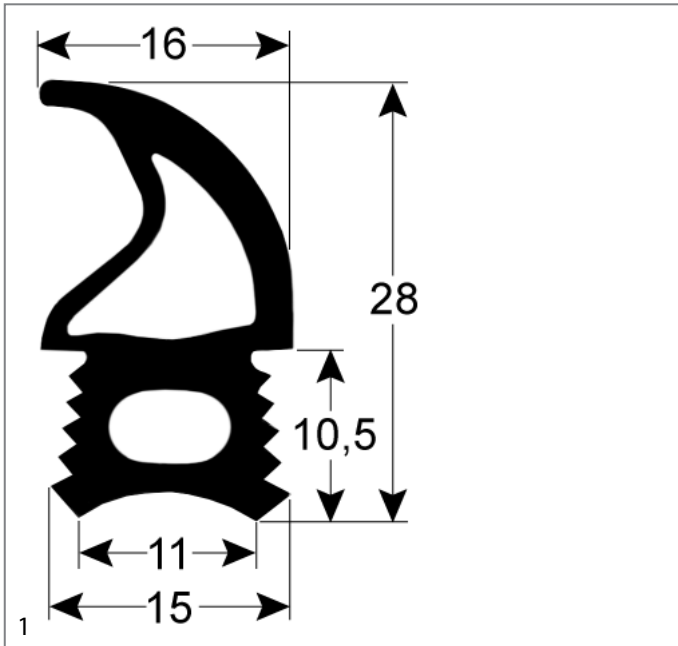
<b>GEV No.</b>	902508	<b>Ref. No.</b>	GS-22951
<b>description</b>	door seal profile 2708 W 530mm L 571mm external size		



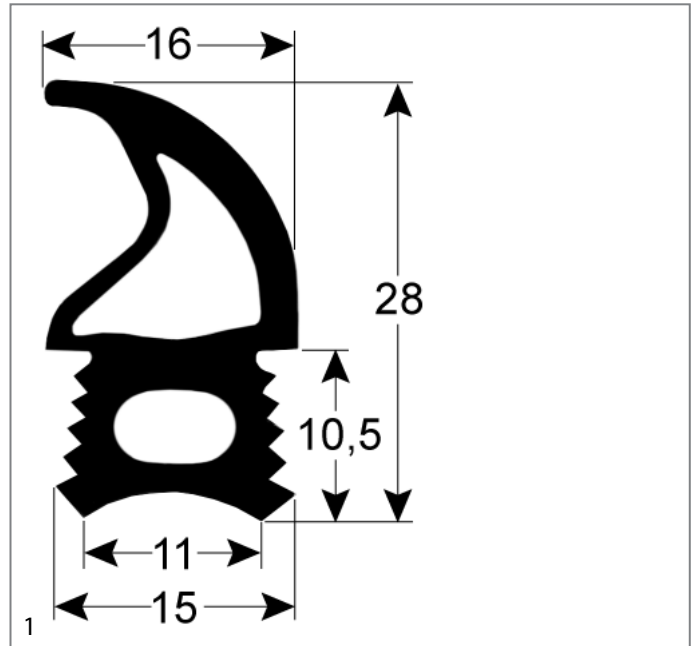
<b>GEV No.</b>	901132	<b>Ref. No.</b>	GS22903 GS-23778
<b>description</b>	door seal profile 2708 W 545mm L 590mm external size		
<b>For models:</b>	750-S-HD		



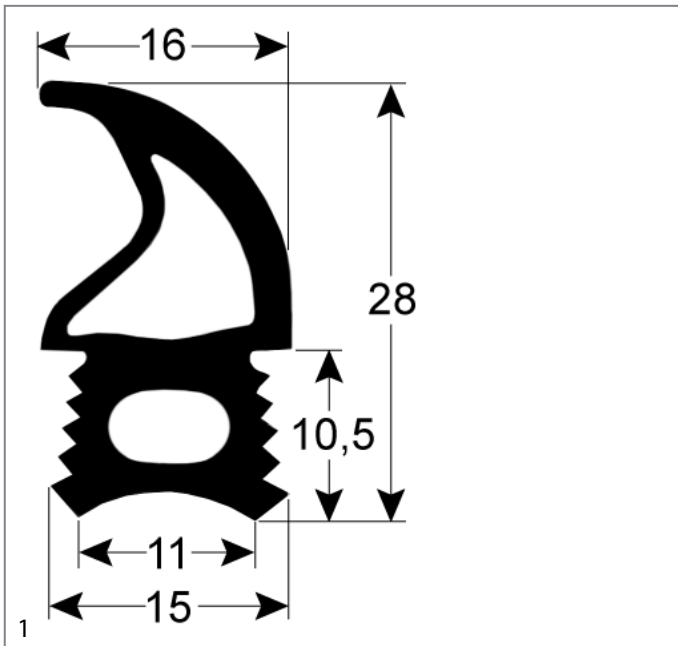
<b>GEV No.</b>	901314	<b>Ref. No.</b>	GS-23796
<b>description</b>	door seal profile 2708 W 560mm L 780mm external size		



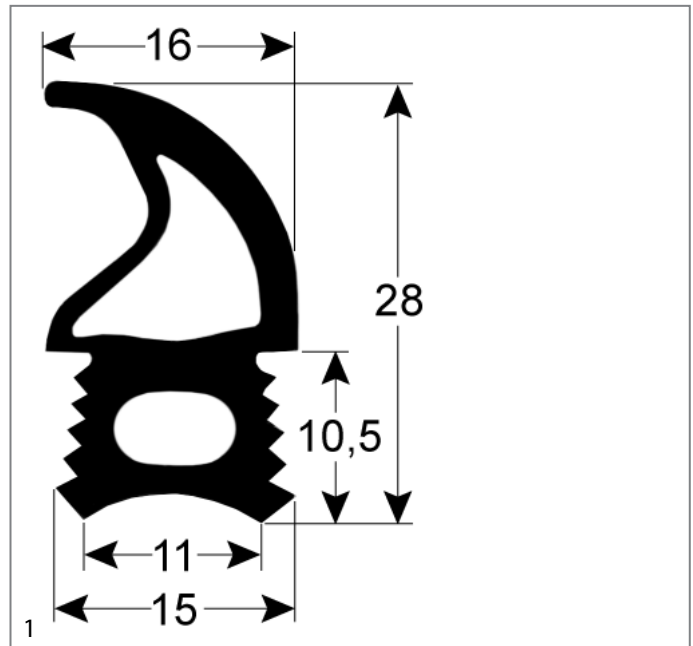
<b>GEV No.</b>	902518	<b>Ref. No.</b>	GS-26635
<b>description</b>	door seal profile 2758 W 420mm L 562mm outer plug size with 4 holes		



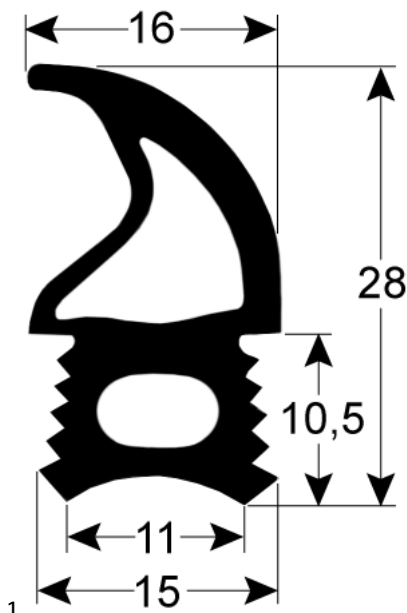
<b>GEV No.</b>	902511	<b>Ref. No.</b>	GS-26639
<b>description</b>	door seal profile 2758 W 561mm L 623mm outer plug size with 4 holes		



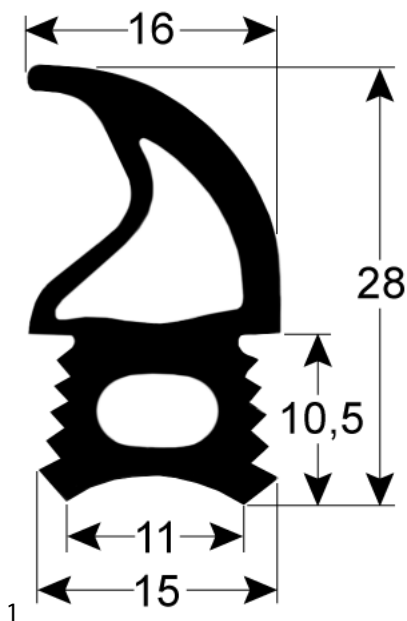
<b>GEV No.</b>	902519	<b>Ref. No.</b>	GS-26637
<b>description</b>	door seal profile 2758 W 420mm L 716mm outer plug size with 4 holes		



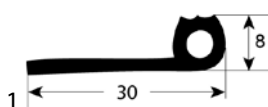
<b>GEV No.</b>	902516	<b>Ref. No.</b>	GS-26638
<b>description</b>	door seal profile 2758 W 622mm L 716mm outer plug size with 4 holes		



<b>GEV No.</b>	902512	<b>Ref. No.</b>	GS-26641
<b>description</b>	door seal profile 2758 W 698mm L 1543mm outer plug size with 4 holes		



<b>GEV No.</b>	902517	<b>Ref. No.</b>	GS-26640
<b>description</b>	door seal profile 2758 W 700mm L 1030mm outer plug size with 4 holes		



<b>GEV No.</b>	580013	<b>Ref. No.</b>	GS2398
<b>description</b>	door seal profile 2949 L 3000mm Qty 1		

## fittings, hose and pipe connectors

### hose connectors

nickel-plated brass



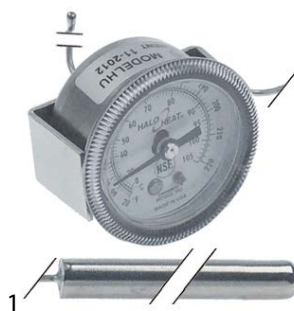
<b>GEV No.</b>	512440	<b>Ref. No.</b>	PB-26512
<b>description</b>	T-piece with probe connection nickel-plated brass thread 3/4" hose ø 16mm		

## measuring equipment

### thermometers

built-in thermometers

ø41mm



<b>GEV No.</b>	541894	<b>Ref. No.</b>	TH-33713
<b>description</b>	thermometer mounting ø 41mm t.max. 105°C 0-105°C probe ø 9.5mm probe L 65mm capillary pipe 900mm		

ø52mm




<b>GEV No.</b>	542457	<b>Ref. No.</b>	GU-3767
<b>description</b>	cover transparent with O-ring ED ø 58mm suitable for thermometer		






1

<b>GEV No.</b>	580141	<b>Ref. No.</b>	GU-34198
<b>description</b>	thermometer mounting ø 52mm probe ø 9.5mm probe L 65mm capillary pipe 1500mm t.max. 240°F measuring range +40 up to +240°F		



1

<b>GEV No.</b>	542456	<b>Ref. No.</b>	GU-3273
<b>description</b>	thermometer mounting ø 52mm t.max. 105°C 0-105°C t.max. 220°F measuring range 20-220°F probe ø 10.5mm probe L 65mm capillary pipe 1400mm thread M10 with holder		
<b>For models:</b>	750-S-HD		
<b>spare parts for</b>	542456		
	<b>GEV No.</b>	542457	<b>Ref. No.</b> GU-3767
	cover transparent with O-ring ED ø 58mm suitable for thermometer		



1

<b>GEV No.</b>	580016	<b>Ref. No.</b>	GU-33384
<b>description</b>	thermometer mounting ø 52mm t.max. 175°C +40 up to +175°C probe ø 11mm probe L 67mm capillary pipe 1800mm		

## fastening material


### screws

#### hexagonal screws



1

<b>GEV No.</b>	560084	<b>Ref. No.</b>	SC-26060
<b>description</b>	hexagonal screw thread M5 thread L 16mm SS WS 8 Qty 20 pcs DIN 933 / ISO 4017		




1

<b>GEV No.</b>	560088	<b>Ref. No.</b>	SC-22924
<b>description</b>	hexagonal screw thread M6 thread L 20mm SS WS 10 Qty 20 pcs DIN 933 / ISO 4017		

### nuts

#### hexagonal nuts

DIN 934 / ISO 4032/8673




1

<b>GEV No.</b>	511212	<b>Ref. No.</b>	NU-22291
<b>description</b>	hexagonal nut thread M6 H 5mm WS 10 SS DIN/ISO DIN 934 / ISO 4032/8673 Qty 1 pcs		


### washers

#### spring rings



1

<b>GEV No.</b>	560122	<b>Ref. No.</b>	WS-22301
<b>description</b>	lock washer ID ø 5.2mm ED ø 9mm SS DIN127 Qty 20 pcs for thread M5		




1

<b>GEV No.</b>	560123	<b>Ref. No.</b>	WS-22302
<b>description</b>	lock washer ID ø 6.3mm ED ø 11mm SS DIN127 Qty 20 pcs for thread M6		

### washers

DIN 125A



1

<b>GEV No.</b>	560112	<b>Ref. No.</b>	WS-22295
<b>description</b>	plain washer ID ø 5.3mm ED ø 10mm thickness 1mm SS Qty 20 pcs DIN 125A for thread M5		



1

<b>GEV No.</b>	560113	<b>Ref. No.</b>	WS-22297
<b>description</b>	plain washer ID $\varnothing$ 6.4mm ED $\varnothing$ 12mm thickness 1.6mm SS Qty 20 pcs DIN 125A for thread M6		



<b>A</b>			
axial fans	8		
<b>B</b>			
bi-metal thermostats	2		
<b>C</b>			
castors and bumper angles	11		
contactors	6		
cooling fans	8		
<b>D</b>			
door seals	12		
<b>E</b>			
edgemount hinges	10		
edgemount latches	10		
electric timers	6		
<b>F</b>			
fans	8		
fastening material	15		
<b>G</b>			
gaskets for heated units	12		
GEV	2		
grates	11		
<b>H</b>			
halogen lamp	5		
heating cables	2		
heating cartridges	2		
heating elements	2		
heating elements for ovens	2		
hexagonal nuts	15		
hexagonal screws	15		
hose connectors	14		
<b>I</b>			
indicator lights	5		
indicator lights (complete)	5		
<b>L</b>			
lamps	5		
<b>M</b>			
magnetic locks	10		
magnetic switches	5		
measuring equipment	14		
<b>N</b>			
nuts	15		
<b>O</b>			
oven lamps	6		
<b>P</b>			
pilot burners	8		
probes	7		
<b>R</b>			
rocker/momentary rocker switches	4		
<b>S</b>			
safety bi-metal thermostats	2		
safety thermostats	3		
screws	15		
shelves and shelf rails	11		
snap locks	10		
solenoid valves	7		
solid state relays	7		
spring rings	15		
switches and momentary switches	4		
<b>T</b>			
thermostats	2		
timers	6		
toggle switches	4		
turning lever locks	10		
<b>W</b>			
washers	15		
window seals	12		