



Spare Parts for Refrigeration Equipment



Spare parts suitable for


ISA


2018

Find the complete and up-to-date range of products in our GEV Webshop

heating elements

heating cartridges

1 			
GEV No.	419216	Ref. No.	41850002800 418500028000
description	heating cartridge 250W 230V ø 11mm L 116mm cable length 2000mm connection male faston 6.3mm refrigeration		


1 			
GEV No.	419218	Ref. No.	418500030100
description	heating cartridge 400W 230V ø 12mm L 240mm thread 3/8" cable length 1000mm connection female faston 6.3mm refrigeration		

1 			
GEV No.	419217	Ref. No.	418500020000
description	heating cartridge 700W 230V ø 11mm L 355mm cable length 1500mm connection female faston 6.3mm		

thermostats


bi-metal thermostats

bi-metal thermostats

1 			
GEV No.	390930	Ref. No.	50501404000
description	bi-metal thermostat switch-off temp. 10°C 1-pole starting temperature -1°C cable length 2500mm		

timers


programme timers

1 			
GEV No.	360590	Ref. No.	50502800200
description	timer EI30/15.5 engines chambers operation time 25s 230V 50/60Hz shaft ømm shaft Lmm RITARDAT.RT-123/00		

relays

power relays

with bracket mounting


1 			
GEV No.	380687	Ref. No.	30506030 50500601400
description	power relays FINDER 230VAC 30A 2NO connection F6.3 bracket mounting manuf. no. 66.82.8.230.0300		

electronic controllers

CAREL

refrigeration controllers

built-in version

1 			
GEV No.	378491	Ref. No.	418200090000
description	electronic controller CAREL PZIAC0H010K mounting measurements 71x29mm built-in depth 59mm 230V voltage AC NTC relay outputs 3 NO-12A CO-8A NO-8A NTC NTC protection IP65 ISA-TASSELLI -40 up to +99°C display 3½ digits		

DIXELL

refrigeration controllers

built-in version

1 			
GEV No.	378492	Ref. No.	41825755200
description	electronic controller DIXELL XR72CX mounting measurements 71x29mm built-in depth 59mm 12V voltage AC/DC NTC/PTC relay outputs 4 NO-16A NO-8A NO-8A NO-5A DI NTC/PTC NTC/PTC yes protection IP65 dependend on probe°C display 3½ digits		



ELIWELL

refrigeration controllers

built-in version



1

GEV No.	381403	Ref. No.	418200073000 418200073100 418200073200
----------------	--------	-----------------	----------------------------------------------

description electronic controller ELIWELL type EWPlus 974 mounting measurements 71x29mm 230V voltage AC NTC relay outputs 4 NO-12A(8) NO-8A(4) NC-6A(3) NO-5A(2) NTC NTC DI defr. funct. yes -50 up to +110°C display 3½ digits

accessories for	381403		
	GEV No.	379052	Ref. No. —
	temperature probe PTC 1kOhm cable silicone probe -50 up to +150°C cable -50 up to +180°C probe ø6x40mm cable length 1.5m without screw connection 2-wire		
	GEV No.	379053	Ref. No. —
	temperature probe PTC 1kOhm cable PVC probe -50 up to +150°C cable -10 up to 100°C probe ø6x30mm cable length 3m without screw connection 2-wire		
	GEV No.	379064	Ref. No. —
	temperature probe PTC 1kOhm cable silicone probe -50 up to +150°C cable -50 up to +180°C probe ø6x40mm cable length 3m without screw connection 2-wire		
	GEV No.	379142	Ref. No. —
	temperature probe PTC 1kOhm cable PVC probe -50 up to +150°C cable -10 up to 100°C probe ø6x30mm cable length 1.5m without screw connection 2-wire		
	GEV No.	379160	Ref. No. —
	temperature probe NTC 10kOhm cable thermoplastic probe -40 up to +110°C cable -40 up to +110°C probe ø6x14mm cable length 1.5m without screw connection 2-wire		
	GEV No.	379161	Ref. No. —
	temperature probe NTC 10kOhm cable thermoplastic probe -40 up to +110°C cable -40 up to +110°C probe ø6x14mm cable length 3m without screw connection 2-wire		
	GEV No.	379162	Ref. No. —
	temperature probe NTC 10kOhm cable thermoplastic probe -40 up to +110°C cable -40 up to +110°C probe ø6x14mm cable length 6m 2-wire		
	GEV No.	379169	Ref. No. —
	temperature probe NTC 10kOhm cable thermoplastic probe -40 up to +110°C cable -40 up to +110°C probe ø6x14mm cable length 2m without screw connection 2-wire		
	GEV No.	379199	Ref. No. —
	temperature probe PTC 1kOhm cable PVC probe -50 up to +150°C cable -10 up to 100°C probe ø6x30mm cable length 5m without screw connection 2-wire		
	GEV No.	379343	Ref. No. —
	temperature probe NTC 10kOhm cable silicone probe -40 up to +110°C cable -50 up to +180°C probe ø6x40mm cable length 3m 2-wire		
	GEV No.	379458	Ref. No. —
	temperature probe NTC 10kOhm cable silicone probe -40 up to +110°C cable -50 up to +180°C probe ø6x40mm cable length 1.5m without screw connection 2-wire		

accessories for	381403		
	GEV No.	379630	Ref. No. —
	temperature probe NTC 10kOhm cable thermoplastic probe -40 up to +110°C cable -40 up to +110°C probe ø6x14mm cable length 2.5m without screw connection 2-wire resistor 10kOhm		
	GEV No.	379804	Ref. No. —
	protector for electronic controller 71x29 L 93mm W 65mm plexiglas		
	GEV No.	381407	Ref. No. —
	temperature probe Pt1000 probe -50 up to +110°C cable silicone°C probe ø5x20mm cable length 3m protection IP68		
	GEV No.	550802	Ref. No. —
	PCB terminal block 4-pole raster size 5mm		
	GEV No.	550805	Ref. No. —
	PCB terminal block 7-pole raster size 5mm		

probes

universal probes

temperature probes



1

GEV No.	381222	Ref. No.	418303463100
description	temperature probe PTC 1kOhm cable silicone probe -50 up to +150°C cable -50 up to +180°C probe ø6x30mm cable length 3m cable colours grey 2-wire		



1

GEV No.	381221	Ref. No.	418316740000
description	temperature probe PTC 1kOhm cable silicone probe -50 up to +150°C cable -50 up to +180°C probe ø6x40mm cable length 1.5m 2-wire		

electronics

PCBs



1


GEV No.	360636	Ref. No.	418221547100
description	PCB ON-OFF L 120mm W 40mm suitable for ISA		

1 electric components



keypads

keypad units

			
1			
GEV No.	403576	Ref. No.	418294090000
description	keypad PCB buttons 12 grey suitable for ISA		

fans


refrigeration fans

cold air circulating fans (complete)

ELCO

			
1			
GEV No.	602030	Ref. No.	41812963100
description	fan fan wheel ø 100mm 230V 50-60Hz 10W 2500rpm connection Faston without fan wheel		
spare parts for	602030		
	GEV No.	601563	Ref. No. —
	fan wheel sucking ø 96mm shaft intake ø 4mm blade angle 26° W 18mm aluminium suitable for 601039		
	GEV No.	601564	Ref. No. —
	fan wheel blowing ø 96mm shaft intake ø 4mm blade angle 26° W 18mm aluminium suitable for 601056		
accessories for	602030		
	GEV No.	602062	Ref. No. —
	connector cable ELCO cable length 1500mm 0.75mm ² protection IP44 for Plug-In		

miscellaneous


			
1			
GEV No.	601857	Ref. No.	30413698 4152.0518 52A-20001/16 R400002486000 R400064297000
description	fan 230V 50/60Hz 15W ø 96mm type 52A-20001/16 2500rpm blowing fan wheel ø 96mm cable length 3000mm connection with cable mounting ø 110mm built-in depth 98mm		


equipmentspecific units


for refrigerated counters

lid hinges

			
1			
GEV No.	696667	Ref. No.	442700041005
description	bracket aluminium for hinge for door mounting pos. left		

			
1			
GEV No.	696668	Ref. No.	442700042005
description	bracket aluminium for hinge for door mounting pos. left		

			
1			
GEV No.	696665	Ref. No.	442700044005
description	bracket aluminium for hinge for door mounting pos. right		

1


GEV No.	696666	Ref. No.	442700043005
description	bracket aluminium for hinge for door mounting pos. right		

locks

snap locks

producer-specific

ISA




1

GEV No.	692857	Ref. No.	50230200300
description	snap lock L 82mm W 38mm H 35mm mounting distance 27mm spring thickness 1.6mm		

hinges

edgemount hinges

miscellaneous



1

GEV No.	692599	Ref. No.	50230102300
description	edgemount hinge L 102mm W 19mm mounting distance 62mm hinging left/right without lift plastic grey refrigeration units centre of rotation 24mm		

spring assisted hinges

producer-specific


ISA



1

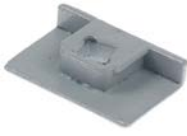
GEV No.	692600	Ref. No.	24563
description	spring assisted hinge right/left L 73mm W 24mm H 100mm refrigeration units mounting distance 26mm		

door bearing



1

GEV No.	692601	Ref. No.	442700045005
description	hinge L 40mm W 25mm mounting pos. bottom left thickness 7mm		



1

GEV No.	692598	Ref. No.	442700040005
description	hinge L 40mm W 25mm mounting pos. bottom right thickness 7mm Qty 1 pcs		

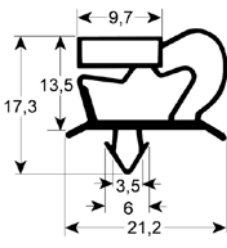
gaskets

refrigeration gaskets

plug-in gaskets

profile 9048

We offer custom-made gaskets for this profile

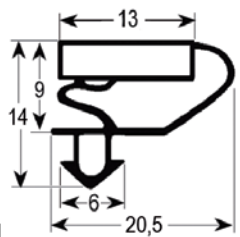


1

GEV No.	901619	Ref. No.	42403329900
description	refrigeration gasket profile 9048 W 675mm L 1535mm plug size		

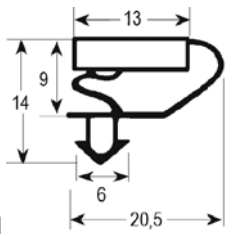
profile 9703

We offer custom-made gaskets for this profile



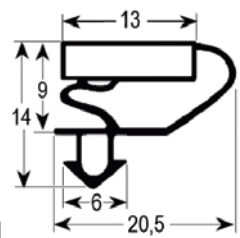
GEV No.	970884	Ref. No.	29013
description	refrigeration gasket profile 9703 W 172mm L 426mm plug size		

GEV No.	970819	Ref. No.	29011
description	refrigeration gasket profile 9703 W 281mm L 424mm plug size		



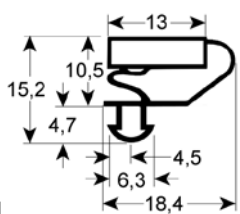
GEV No.	970885	Ref. No.	29014
description	refrigeration gasket profile 9703 W 390mm L 424mm plug size		

GEV No.	970885	Ref. No.	29014
description	refrigeration gasket profile 9703 W 390mm L 424mm plug size		



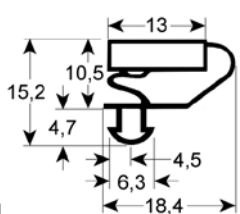
GEV No.	970885	Ref. No.	29014
description	refrigeration gasket profile 9703 W 390mm L 424mm plug size		

GEV No.	970885	Ref. No.	29014
description	refrigeration gasket profile 9703 W 390mm L 424mm plug size		



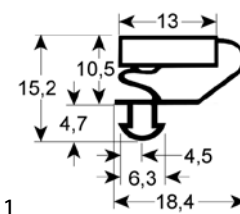
GEV No.	900933	Ref. No.	29012 30546
description	refrigeration gasket profile 9703 W 436mm L 616mm plug size L1 606mm W1 426mm external size		

GEV No.	900933	Ref. No.	29012 30546
description	refrigeration gasket profile 9703 W 436mm L 616mm plug size L1 606mm W1 426mm external size		



GEV No.	901058	Ref. No.	424019211000
description	refrigeration gasket profile 9703 W 632mm L 1320mm plug size L1 1314mm W1 626mm external size		

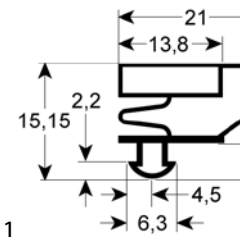
GEV No.	901058	Ref. No.	424019211000
description	refrigeration gasket profile 9703 W 632mm L 1320mm plug size L1 1314mm W1 626mm external size		



GEV No.	901668	Ref. No.	424000017000
description	refrigeration gasket profile 9703 W 755mm L 910mm plug size		

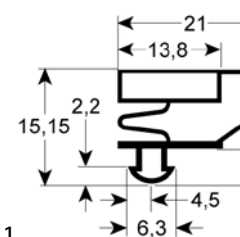
profile 9704

We offer custom-made gaskets for this profile



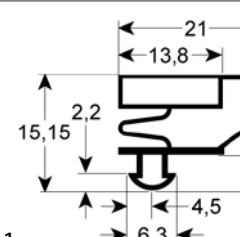
GEV No.	901978	Ref. No.	29015
description	refrigeration gasket profile 9704 W 398mm L 278mm plug size equiv. no. 29015		

GEV No.	901978	Ref. No.	29015
description	refrigeration gasket profile 9704 W 398mm L 278mm plug size equiv. no. 29015		



GEV No.	901680	Ref. No.	29017
description	refrigeration gasket profile 9704 W 525mm L 615mm plug size L1 606mm W1 516mm external size		

GEV No.	901680	Ref. No.	29017
description	refrigeration gasket profile 9704 W 525mm L 615mm plug size L1 606mm W1 516mm external size		



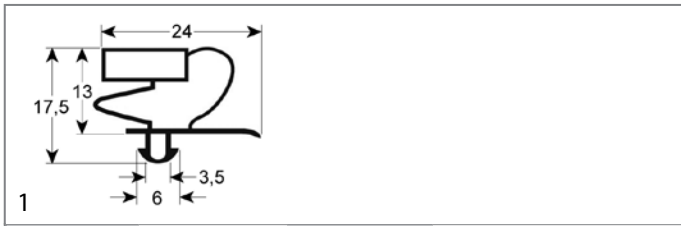
GEV No.	901976	Ref. No.	29009
description	refrigeration gasket profile 9704 W 689mm L 1565mm plug size L1 1555mm W1 675mm external size suitable for ISA		

GEV No.	901976	Ref. No.	29009
description	refrigeration gasket profile 9704 W 689mm L 1565mm plug size L1 1555mm W1 675mm external size suitable for ISA		



profile 9012

We offer custom-made gaskets for this profile




GEV No.	901620	Ref. No.	28047721
description	refrigeration gasket profile 9012 W 625mm L 1595mm plug size		

refrigeration cycle components

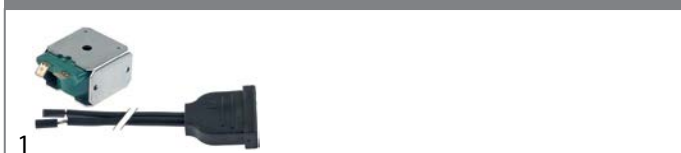
valves

reversing valves



GEV No.	370791	Ref. No.	50600401200
description	reversing valve 4-way RANCO type V2-408060200 inlet 1/2" (12.84mm) outlet 3/8" (9.67mm) power range (R407C) 2.81-6.33 kW power range (R410A) 3.17-7.74 kW power range (R134A) 2.46-4.92 kW		
accessories for	370791		
	GEV No.	371306	Ref. No. —
	solenoid coil ELIWELL 208/240VAC 50/60Hz 5/4W cable length 2000mm		

spare parts and accessories



GEV No.	371302 ¹	Ref. No.	50504200500
description	solenoid coil ELIWELL 230 50/60Hz 5/4W cable length 1200mm green		

¹incl. cable 1200mm

evaporators

for fridges

producer-specific



GEV No.	750590	Ref. No.	420081399000
description	evaporator L 345mm W 120mm D 280mm total length 390mm suitable for ISA-TASSELLI		



GEV No.	750544	Ref. No.	420181938000
description	evaporator L 390mm W 355mm H 100mm suitable for ISA		

evaporation and condensing trays

unheated condensing trays



GEV No.	750542	Ref. No.	442254412000
description	condensing tray L 400mm W 290mm H 88mm plastic		



GEV No.	750541	Ref. No.	442241872100
description	condensing tray L 475mm W 265mm H 90mm plastic		

mechanical components, equipment accessories

B	
bi-metal thermostats	2, 2
C	
cold air circulating fans (complete)	4
E	
edgemount hinges	5
electronic controllers	2
evaporators	7
F	
fans	4
G	
GEV	2
H	
heating cartridges	2
heating elements	2
P	
plug-in gaskets	5
probes	3
programme timers	2
R	
refrigeration cycle components	7
refrigeration fans	4
refrigeration gaskets	5
relays	2
reversing valves	7
S	
snap locks	5
spring assisted hinges	5
T	
temperature probes	3
thermostats	2
timers	2
U	
universal probes	3