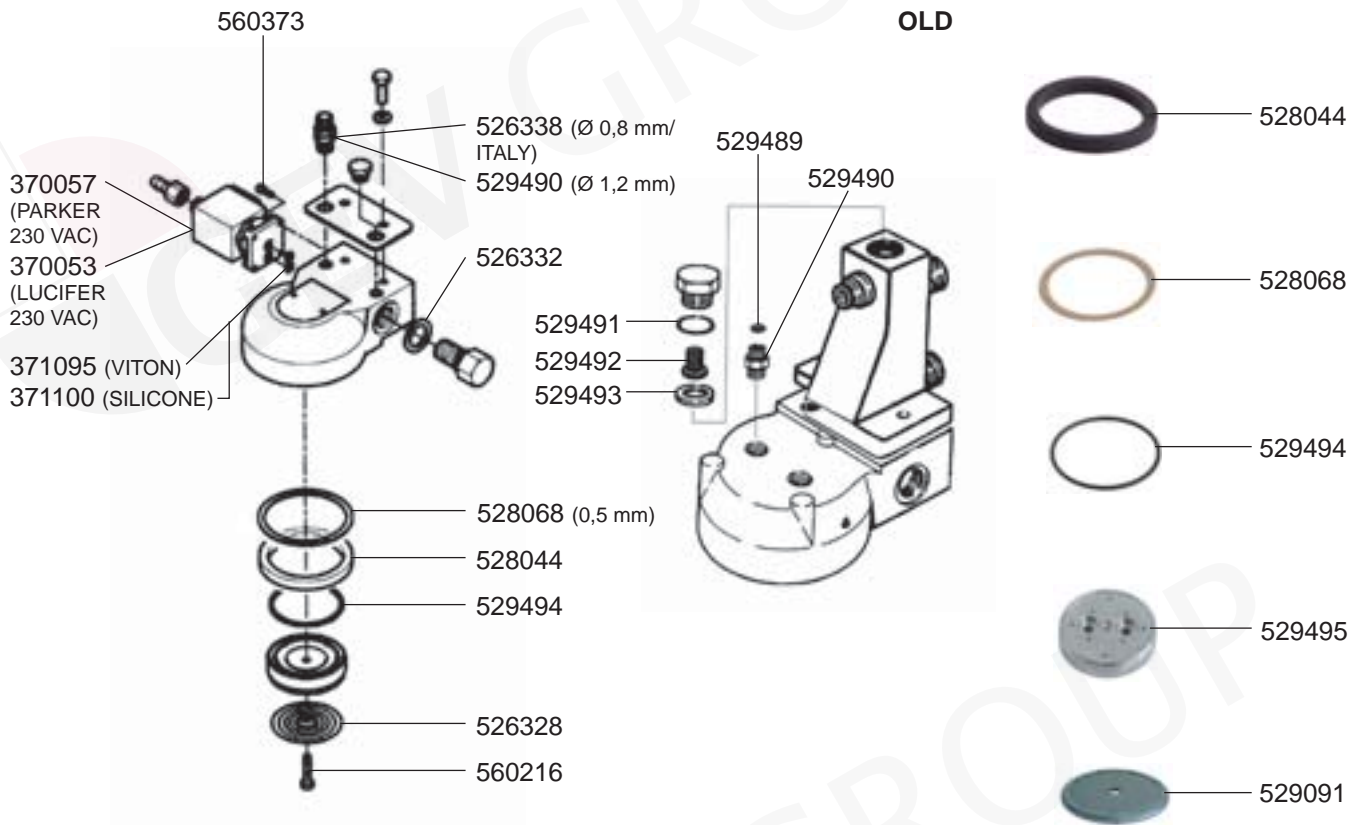


# CARIMALI/MACCO – ESPRESSO MACHINES

1  
ESPRESSO MACHINES

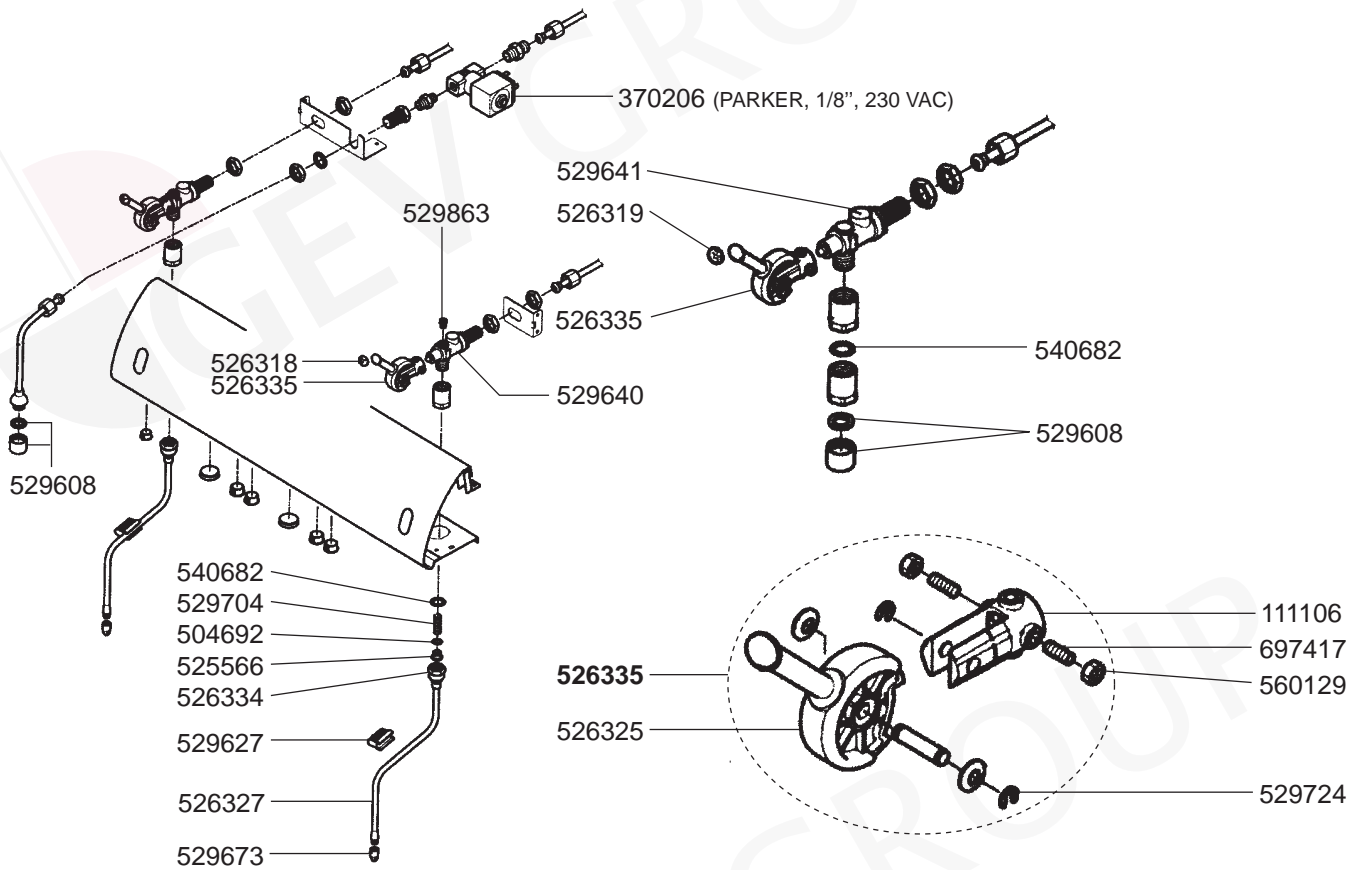
## GROUPS



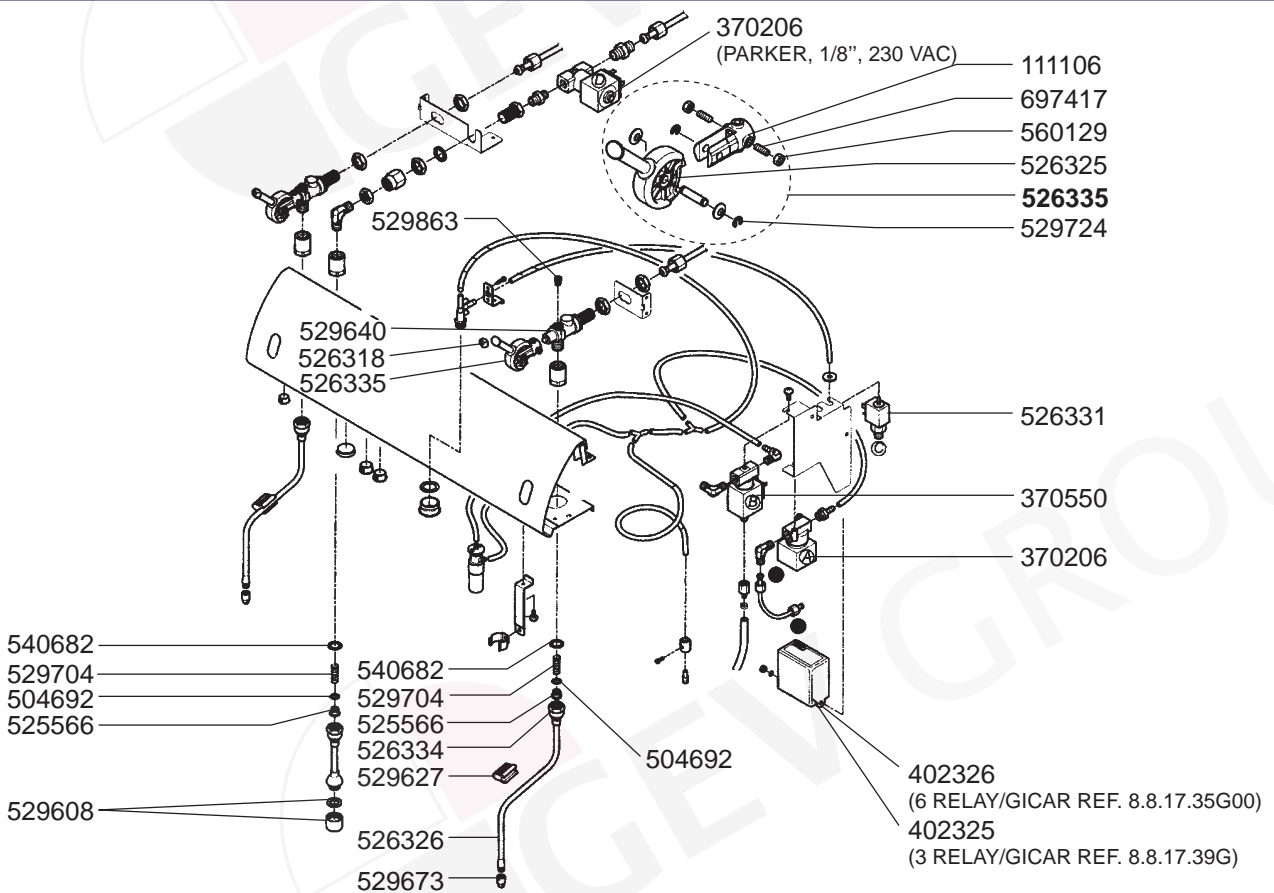
## FILTER HOLDERS



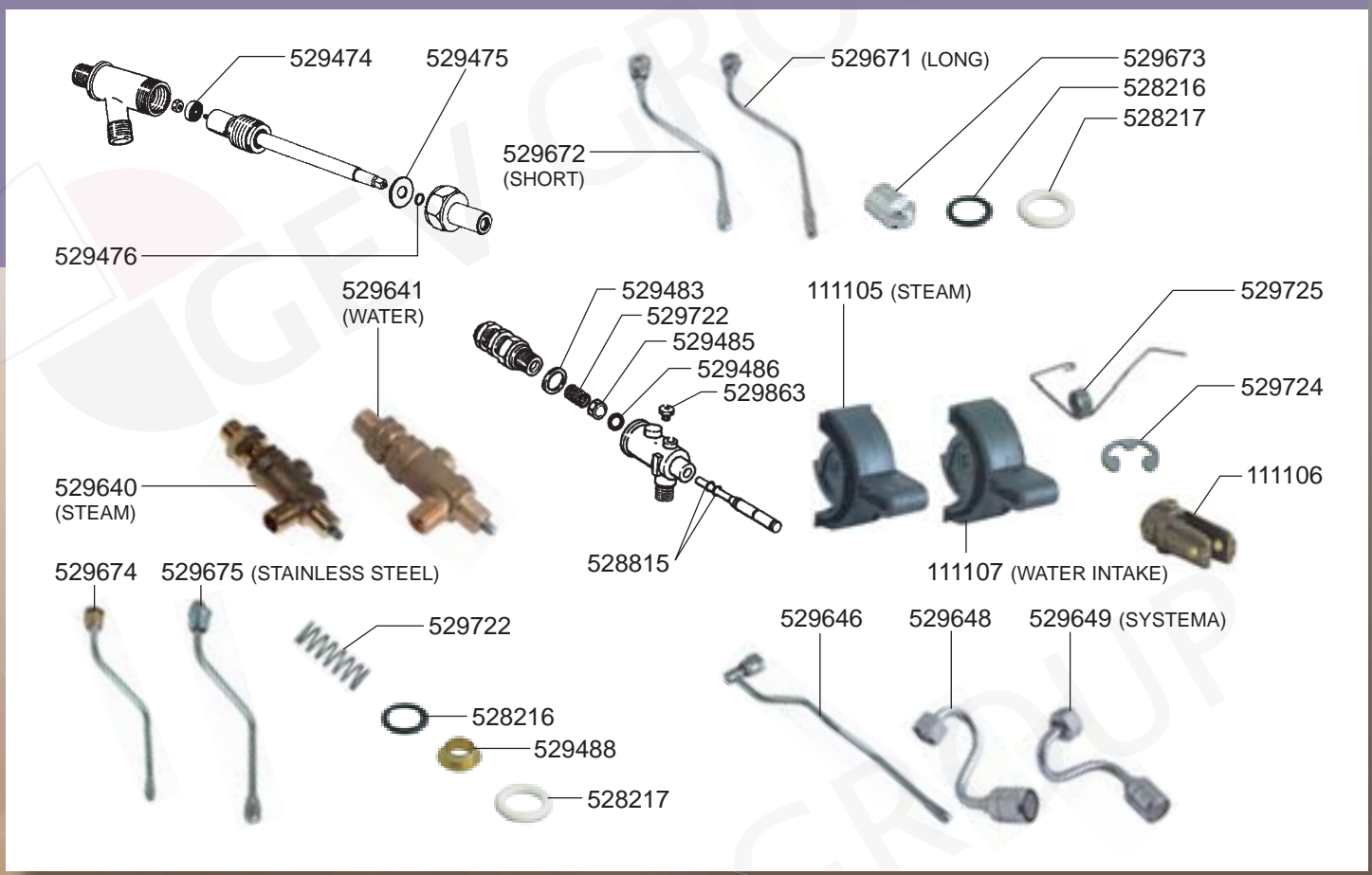
## STEAM/WATER TAPS KICCO/TEMA STYLE/ESPRESSO 9



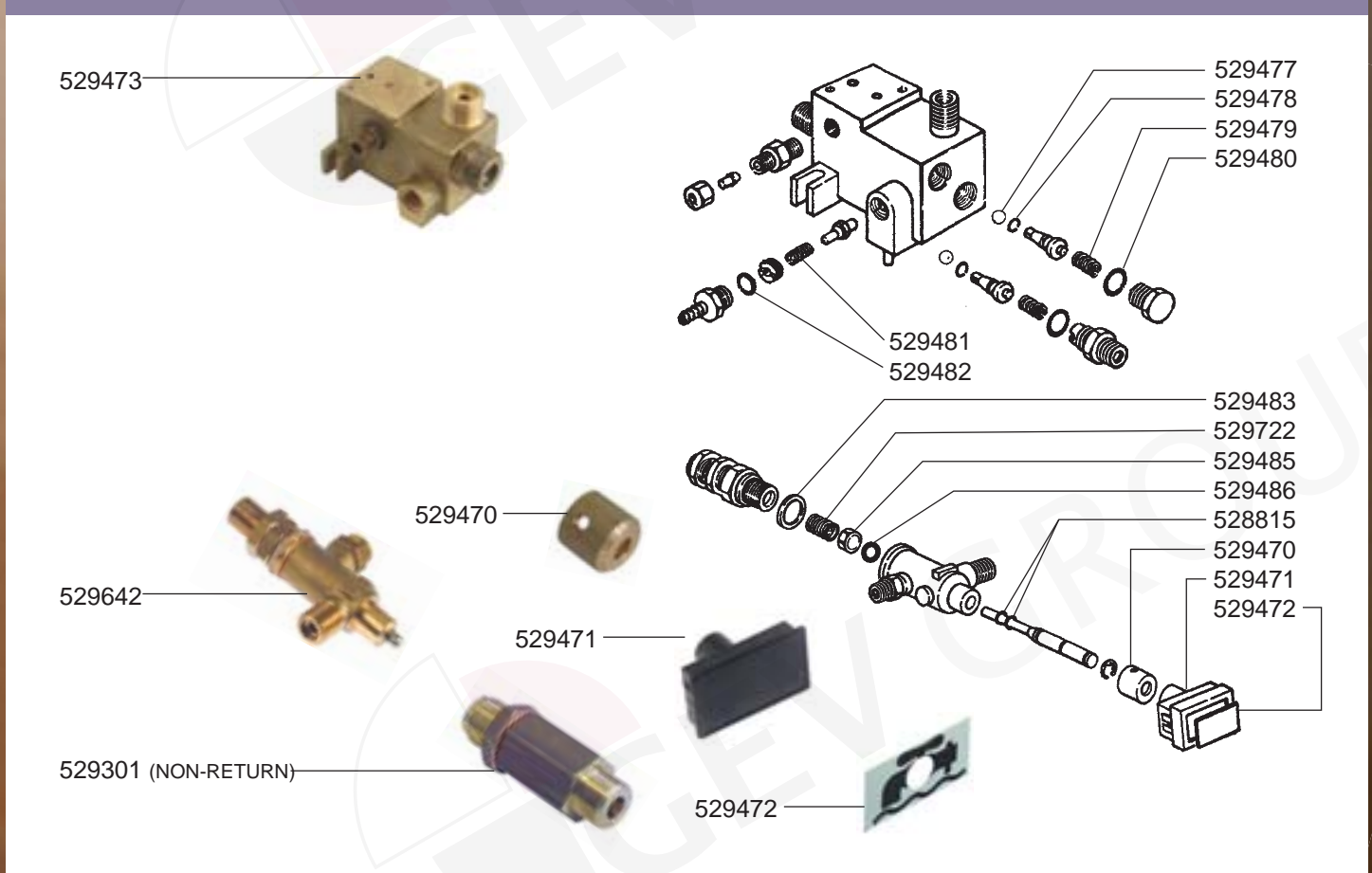
## STEAM/WATER TAPS ETA BETA V2/KICCO/ESPRESSO 9



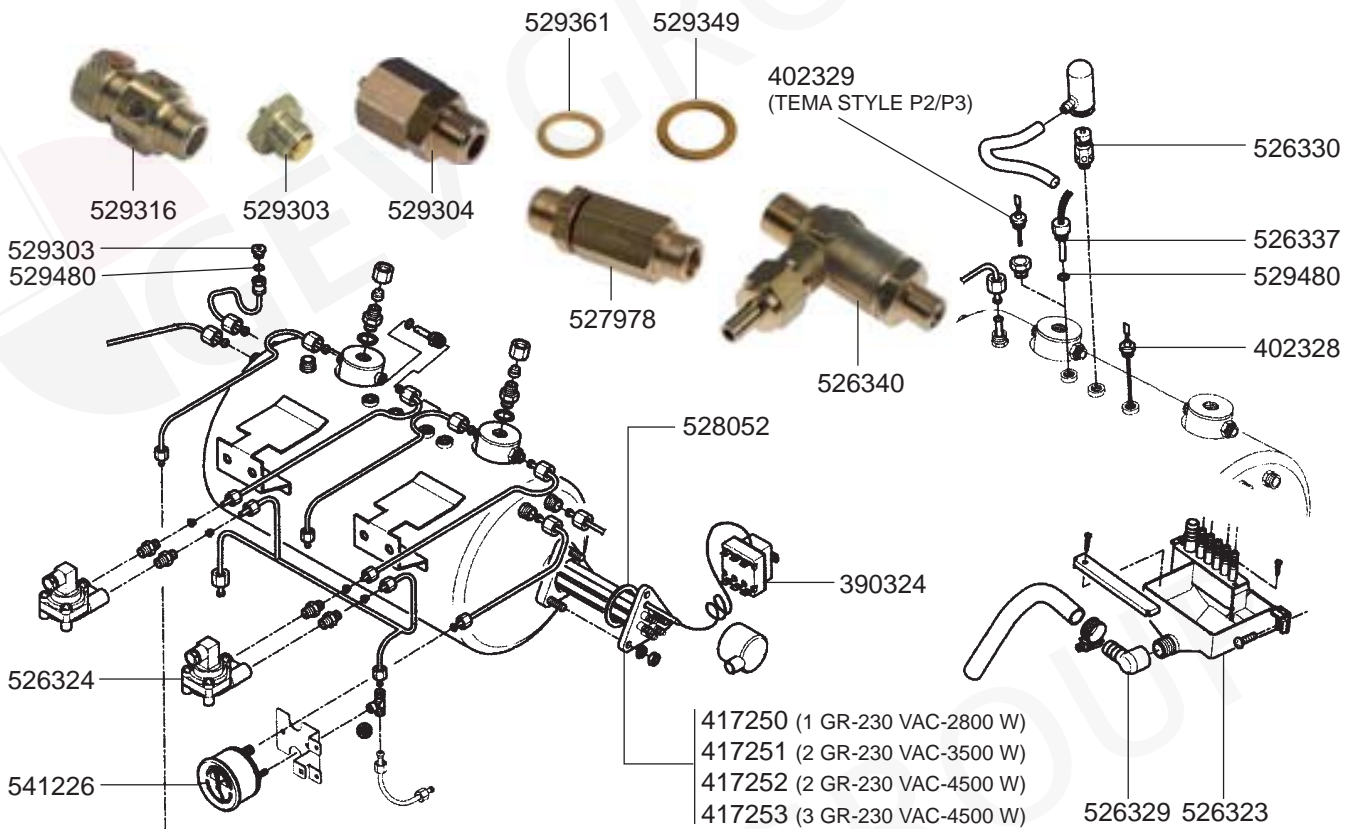
## OLD MODEL STEAM/WATER TAPS



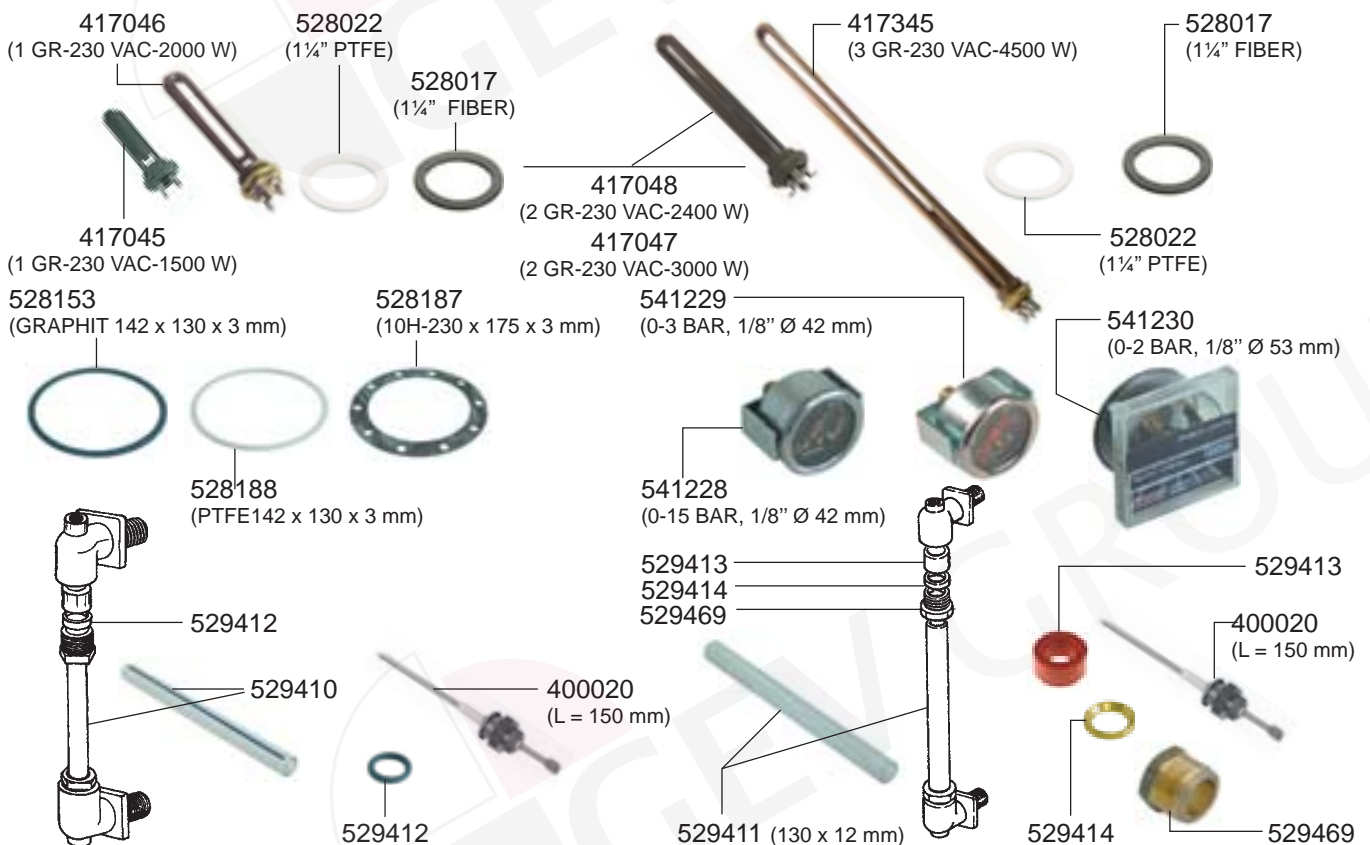
## OLD MODEL VALVES



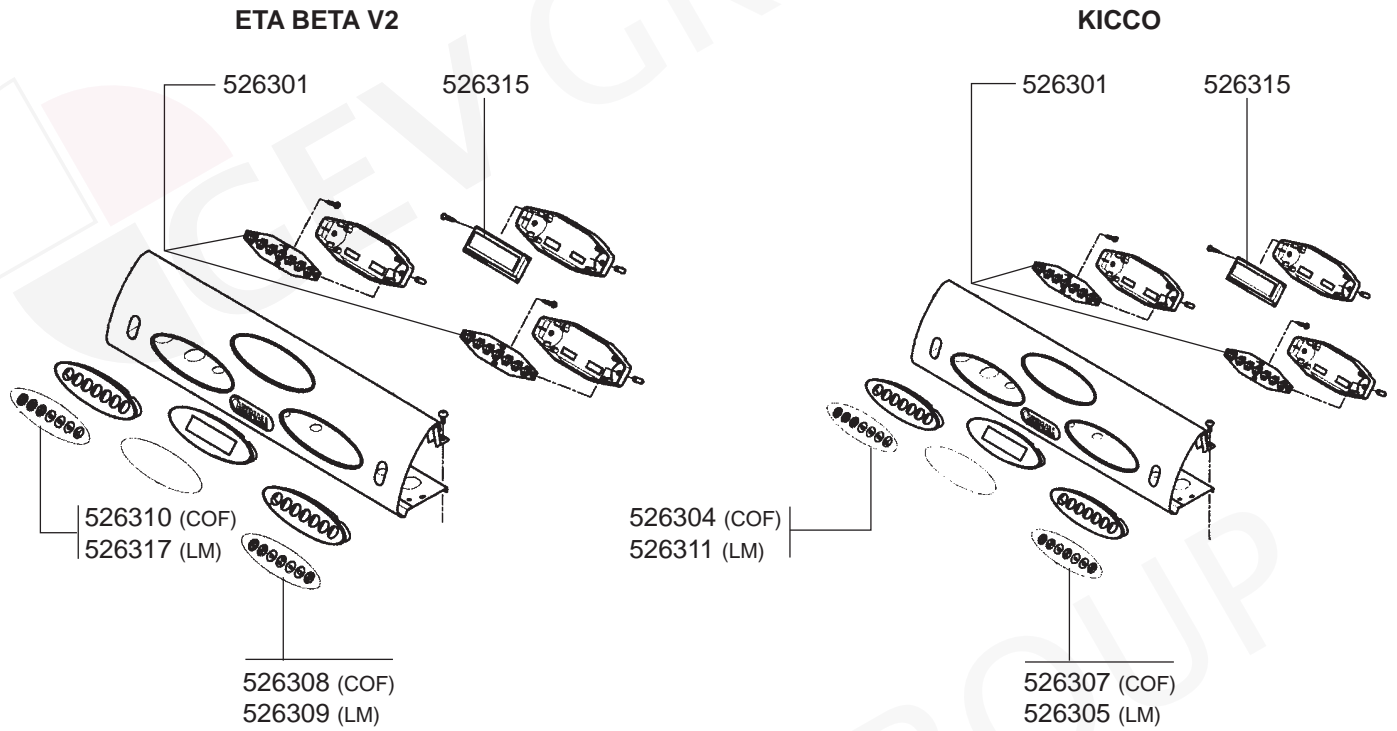
## BOILER VARIOUS /MANOMETER/DRIP TRAY/VALVES



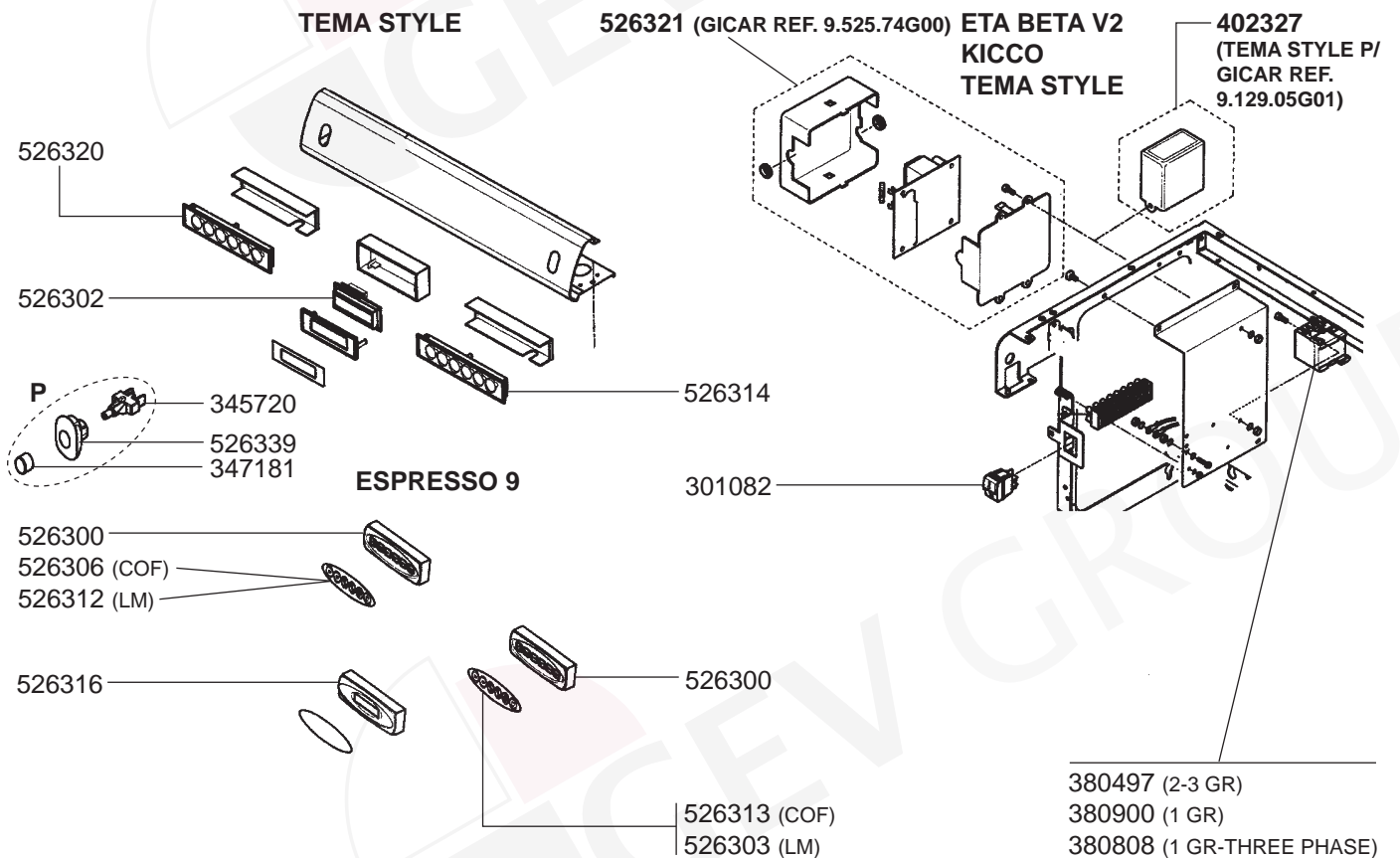
## OLD MODEL BOILER MODEL/MANOMETERS/LEVEL INDICATOR VARIOUS



## ELECTRICAL COMPONENTS ETA BETA V2/KICCO



## ELECTRICAL COMPONENTS ETA BETA V2/KICCO/TEMA STYLE/ESPRESSO 9



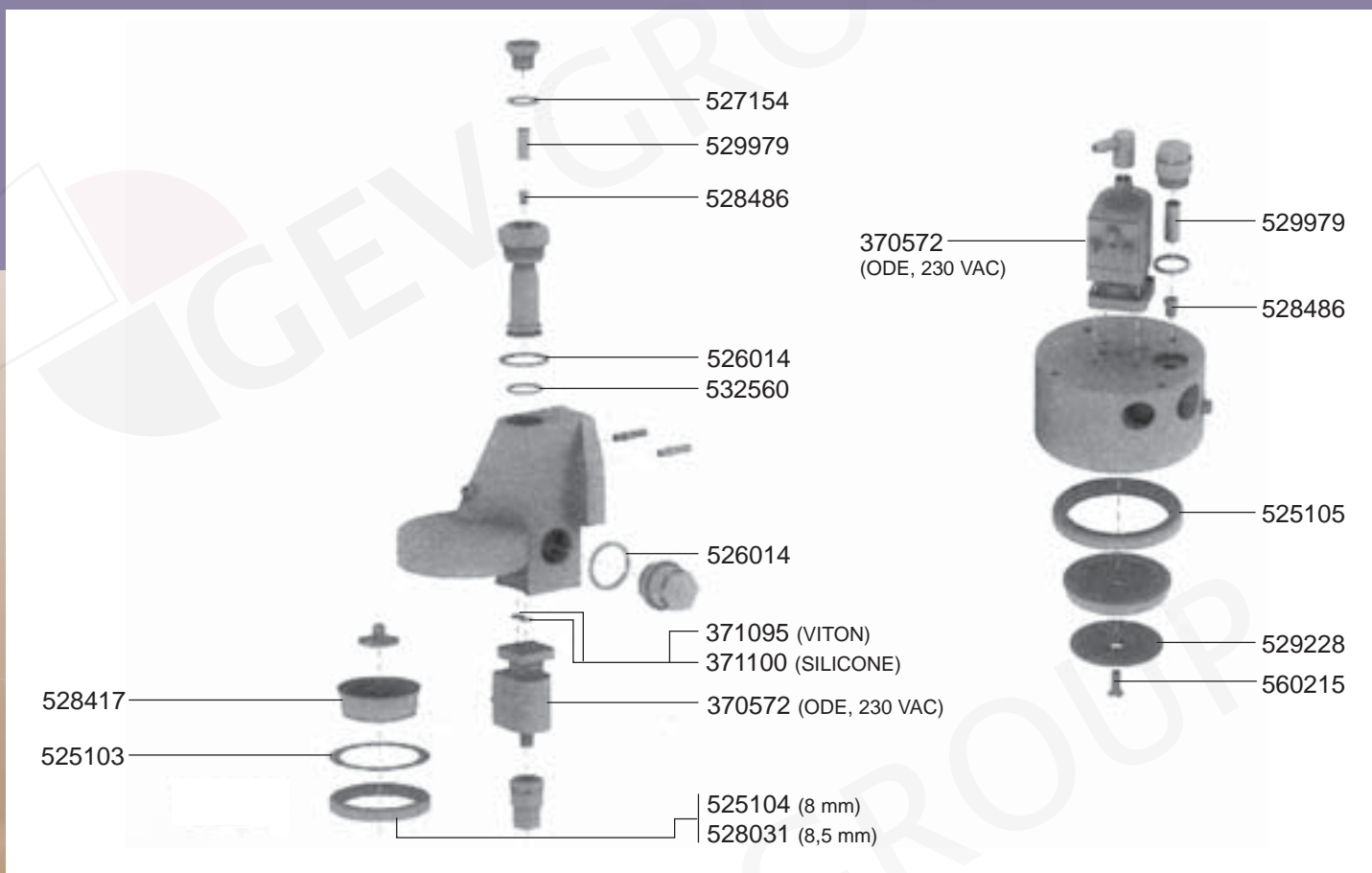
## ELECTRICAL COMPONENTS VARIOUS



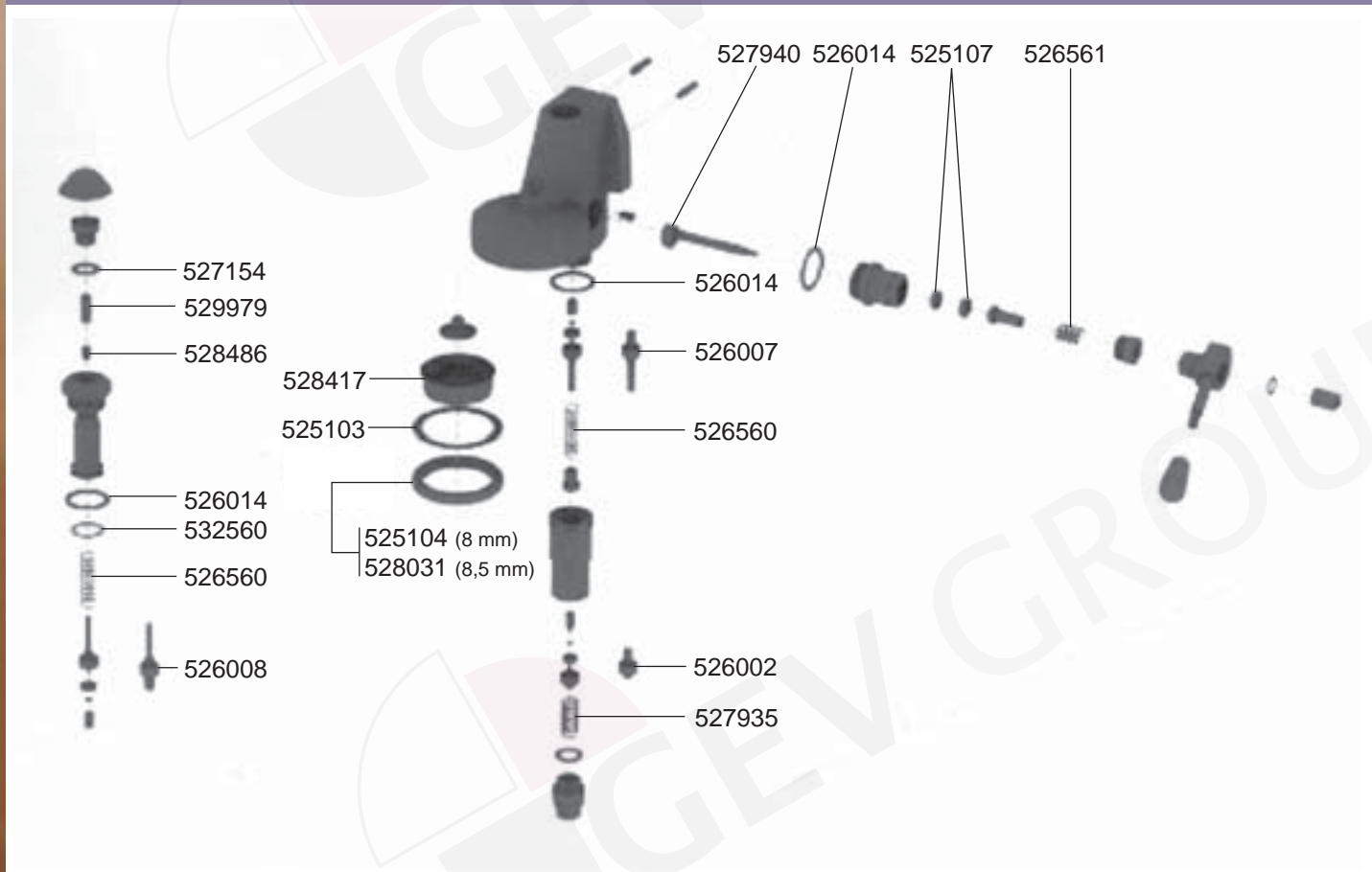
## ELECTRICAL COMPONENTS VARIOUS



## SOLENOID GROUPS



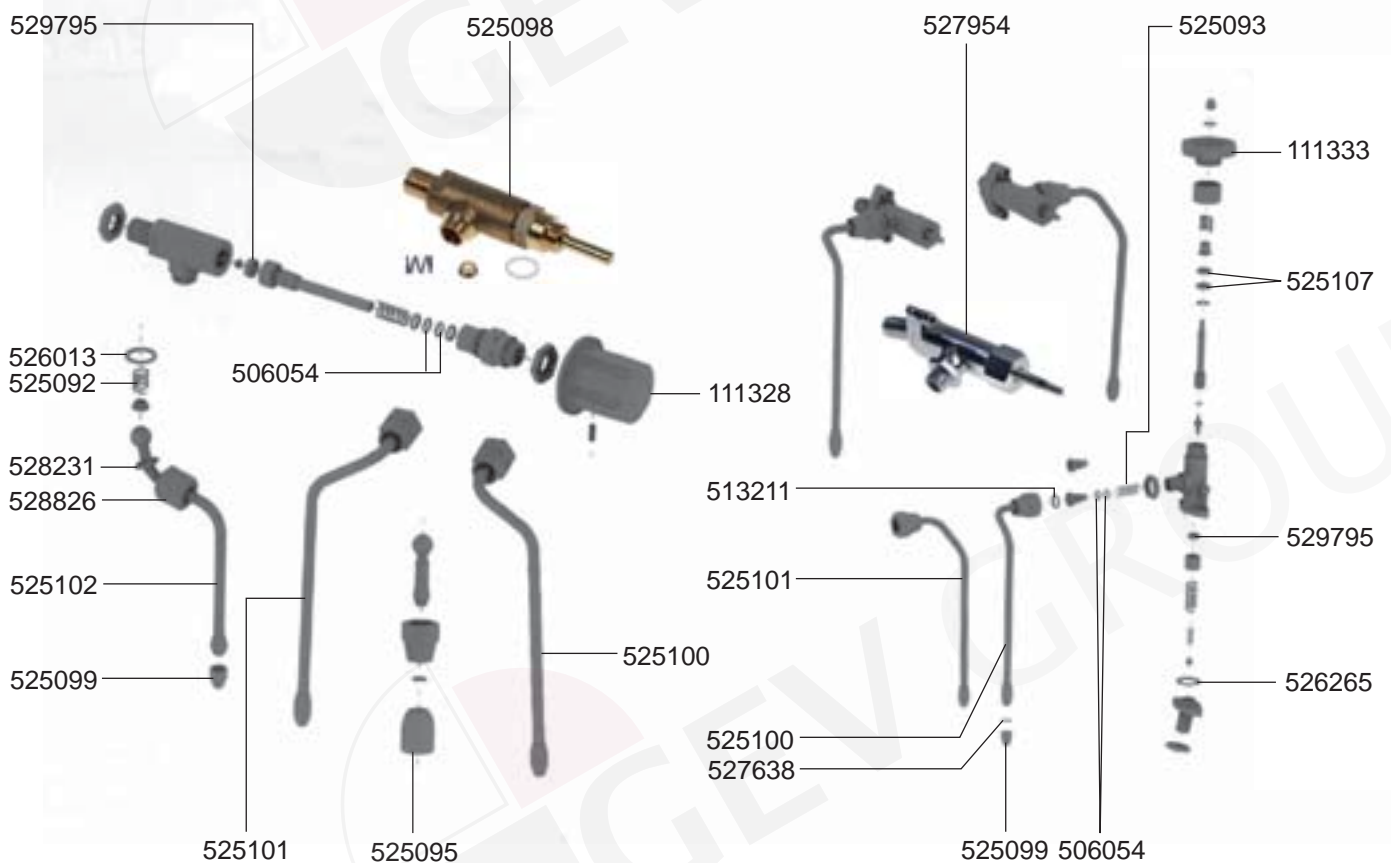
## MANUAL GROUP



## FILTER HOLDERS

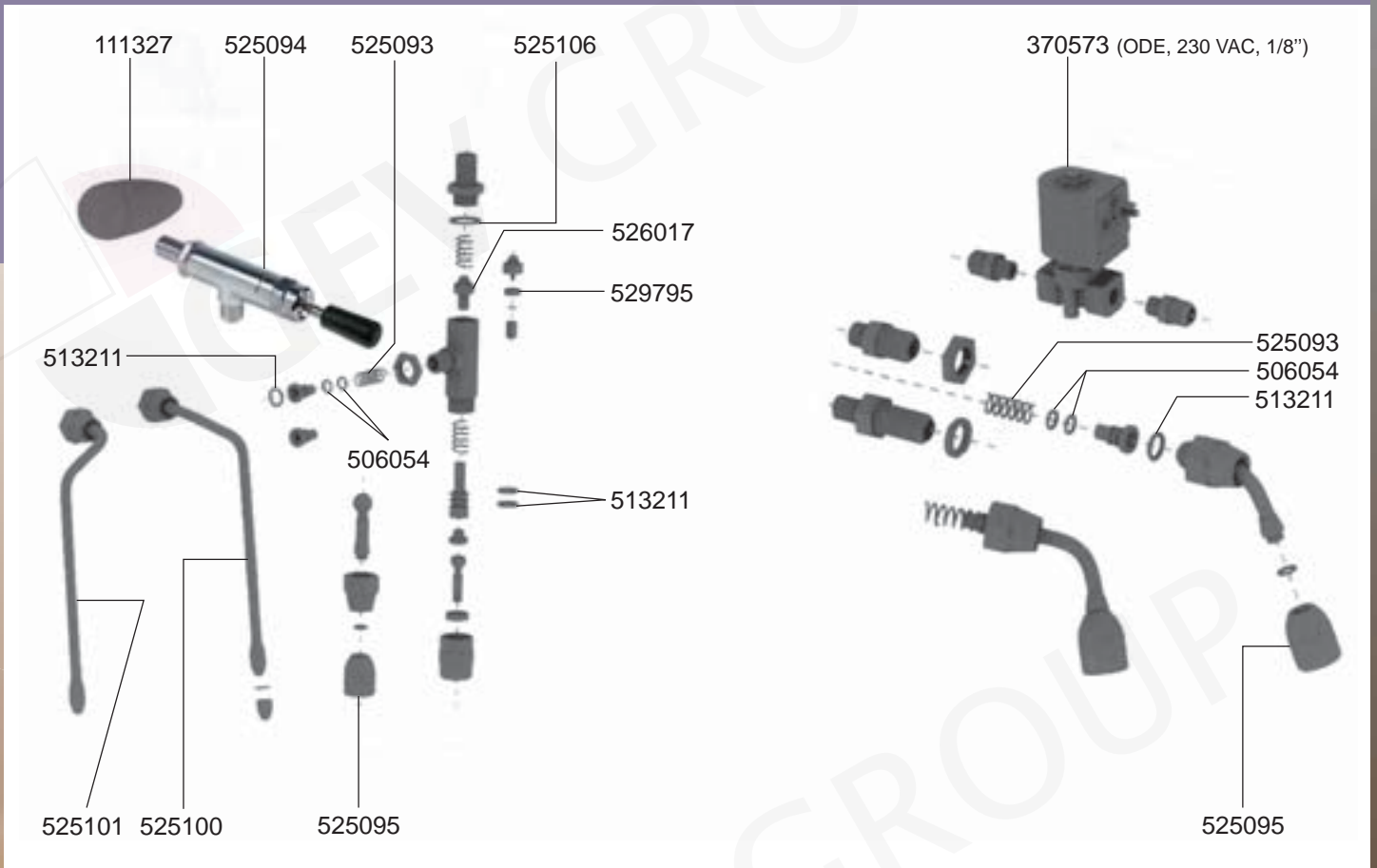


## STEAM/WATER TAPS

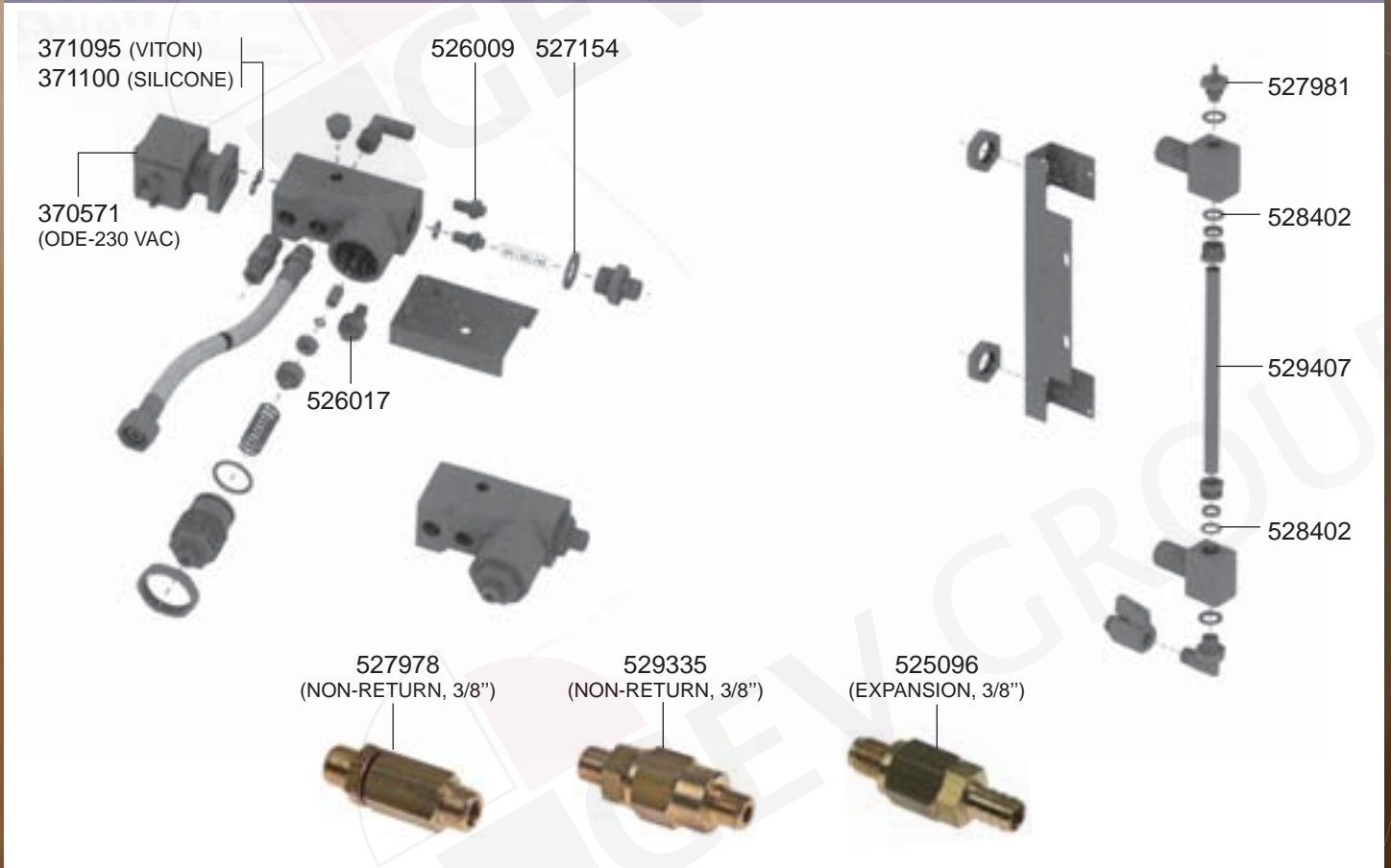




## STEAM/WATER TAPS



## VALVES/LEVEL INDICATOR



## BOILER/MANOMETERS/DRIP TRAYS VARIOUS



## ELECTRICAL COMPONENTS DUCALE LEVETTA/DUCALE PULSANTE

### DUCALE LEVETTA



### DUCALE PULSANTE



# C.S. MACCHINE PER CAFFE – ESPRESSO MACHINES

1  
ESPRESSO MACHINES

## ELECTRICAL COMPONENTS DUCALE ELETTRONICA/FENICE PULSANTE/FENICE ELETTRONICA

**DUCALE ELETTRONICA**

402449

402451

347292

359568 (RED)

359140 (ORANGE)

402455

402456 (2 GR COMPATTA)

402454 (2-3 GR)

380526

390328 (152°)

**FENICE PULSANTE**

347295

347293

359140 (ORANGE)

402445

**FENICE ELETTRONICA**

402446

402450

359140 (ORANGE)

402454

## ELECTRICAL COMPONENTS RIALTO PULSANTE/RIALTO ELETTRONICA/MURANO ELETTRONICA/ACADEMIA PROFESSIONAL PULSANTE 2GR

**RIALTO PULSANTE**

301061

301078

359140 (ORANGE)

402445

**RIALTO ELETTRONICA**

402449

402451

359140 (ORANGE)

402454

**MURANO ELETTRONICA**

402446

402450

359140 (ORANGE)

402454

**ACADEMIA PROFESSIONAL PULSANTE 2 GR**

402448

402452

301061

359140 (ORANGE)

402456

380526

## ELECTRICAL COMPONENTS ACADEMIA PROFESSIONAL ELETTRONICA 2GR/LIDO

### ACADEMIA PROFESSIONAL ELETTRONICA 2 GR



402449



402451



301061



359140 (ORANGE)



402456



380526

### LIDO



402453



402447



347294



347295



347293



402454



346487



347296

## ELECTRICAL COMPONENTS VARIOUS



400222  
(1/4")



400256



400257



400258



541021 (SIRAI,  
30 AMP, 3 POLES)



541724  
(SIRAI, 20 AMP,  
3 POLES)



541723  
(SIRAI, 20 AMP,  
2 POLES)



541453 (PARKER)



541725



541726



370057 (PARKER 230 VAC)



370060  
(PARKER, 230 VAC)



370202 (PARKER, 230 VAC)



370063  
(PARKER)



370072 (LUCIFER 230 VAC-1/8")



371029  
(PARKER 230 VAC)



371031  
(LUCIFER 230 VAC)



371090

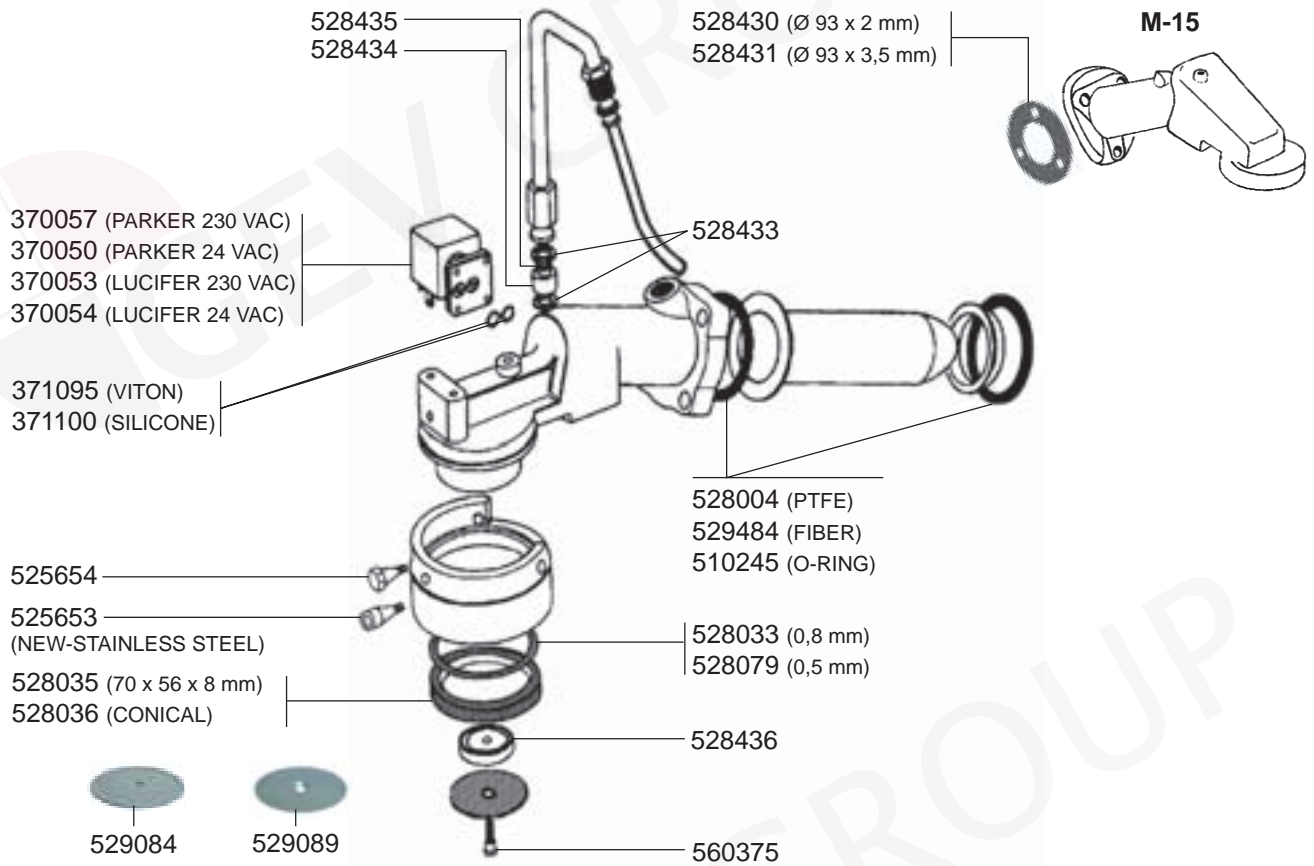


371095 (VITON)

# CIMBALI - ESPRESSO MACHINES

1  
ESPRESSO MACHINES

## GROUPS



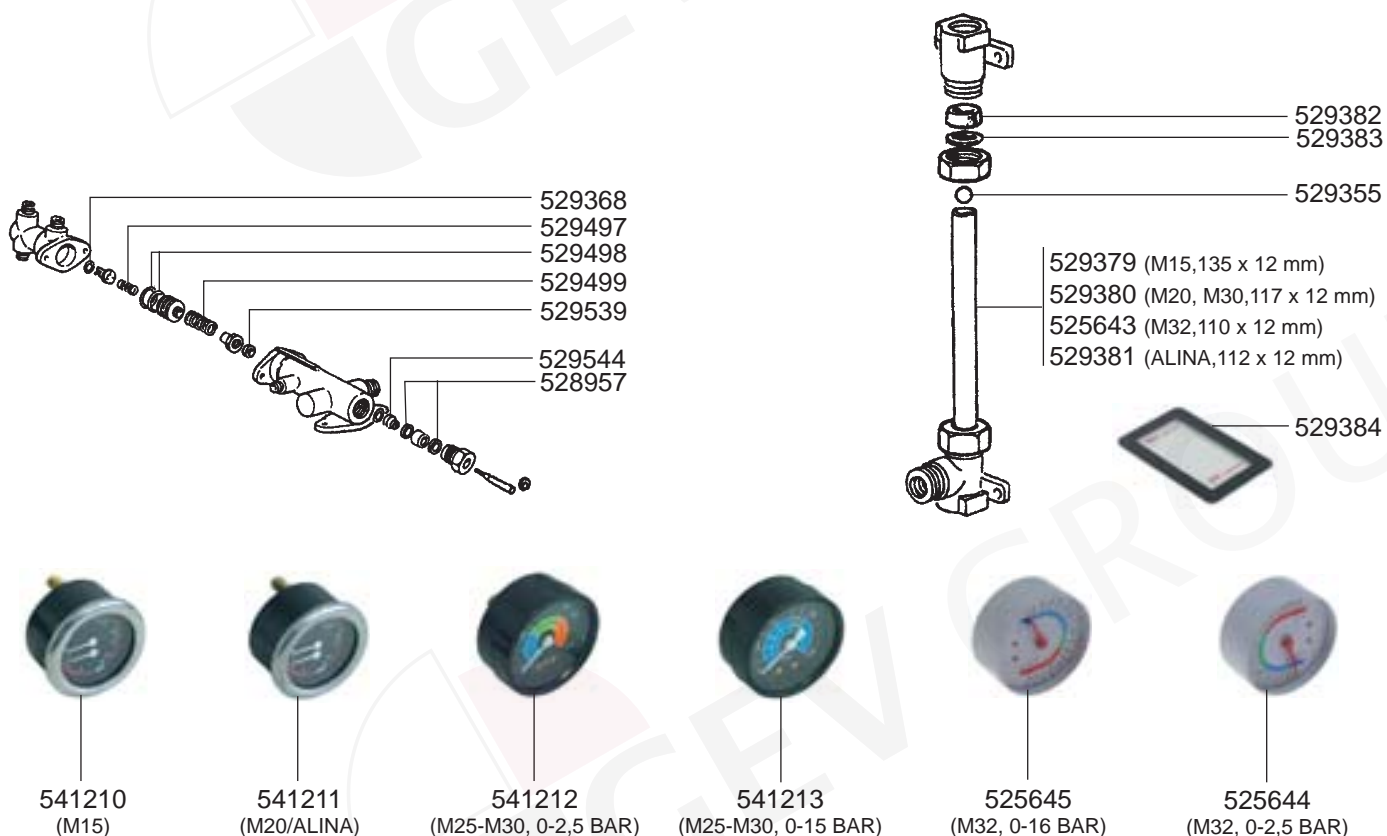
## FILTER HOLDERS



## STEAM/WATER TAPS



## INLET TAP/LEVEL INDICATOR/MANOMETERS



# CIMBALI - ESPRESSO MACHINES

1  
ESPRESSO MACHINES

## BOILER VARIOUS

529312 (3/8") 529316 (3/8") 529307 (1/4")

529303 (1/4") 529304 (1/4") 529361 (1/4")

529361 (1/4") 529349 (3/8")

400214 (L = 140 mm) 400020 (L = 150 mm)

528005

**M-15**  
417015 (1 GR, 230 VAC, 2700 W)  
417016 (2 GR, 230 VAC, 4000 W)  
417098 (3 GR, 230 VAC, 5000 W)

**M20-M25-M30-M32**  
529484 (FIBER) 528004 (PTFE)

417011 (1 GR, 230 VAC, 1800 W)  
417013 (ALINA, 230 VAC, 2850 W)  
417012 (2 GR, 230 VAC, 3750 W)  
417099 (3 GR, 230 VAC, 5790 W)

**JUNIOR**  
417014 (JUNIOR, 1 GR, 230 VAC, 1300 W)

528121 (M20-M25-M30 FIBER) 528122 (M20-M25-M30 TEFLON) 528120 (M15)

## ELECTRICAL COMPONENTS VARIOUS

400209 (DIGMESA) 400004 (GICAR) 400256

400259 (DIGMESA) 400257 (GICAR) 400258

541021 (SIRAI, 30 A, 3 POLES) 541724 (SIRAI, 20 A, 3 POLES) 541723 (SIRAI, 20 A, 2 POLES) 541453 (PARKER) 541020

370062 (PARKER) 370061 (LUCIFER)

370057 (230 VAC-PARKER) 370050 (24 VAC-PARKER) 370053 (230 VAC-LUCIFER) 370054 (24 VAC-LUCIFER) 370051 (24 VDC-LUCIFER)

371029 (230 VAC-PARKER) 371036 (24 VAC-PARKER) 371031 (230 VAC-LUCIFER) 371032 (24 VAC-LUCIFER) 371043 (24 VDC-LUCIFER)

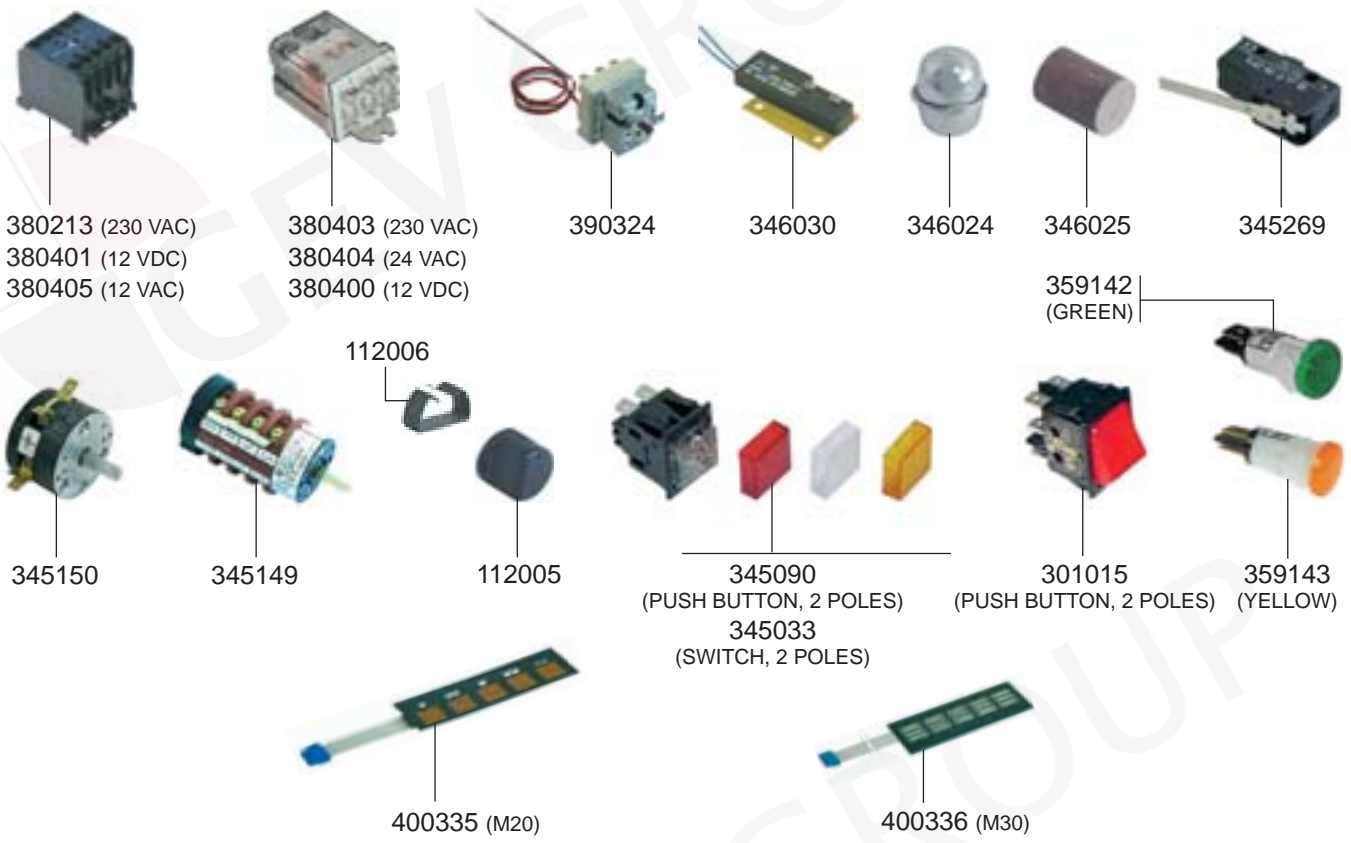
370059 (230 VAC-1/4"-PARKER) 370219 (24 VAC-1/4"-PARKER) 370206 (230 VAC-1/8"-PARKER) 370066 (24 VAC-1/8"-PARKER)

371029 (230 VAC-PARKER) 371036 (24 VAC-PARKER)

370168 (230 VAC-1/8"-SIRAI) 370064 (24 VAC-1/8"-SIRAI) 371071 (230 VAC-SIRAI) 371070 (24 VAC-SIRAI)

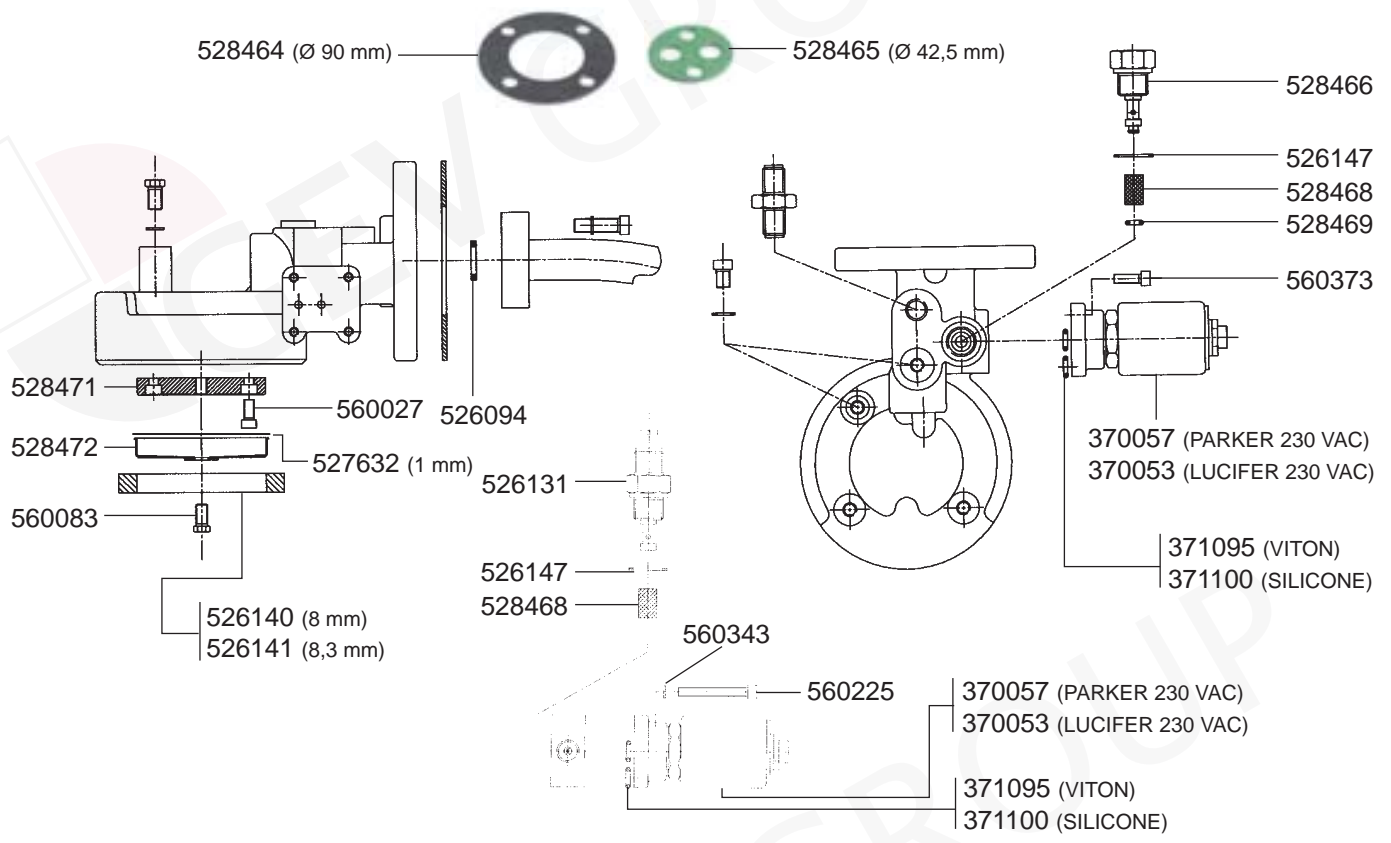
371090 371095 (VITON) 371100 371091

## ELECTRICAL COMPONENTS VARIOUS

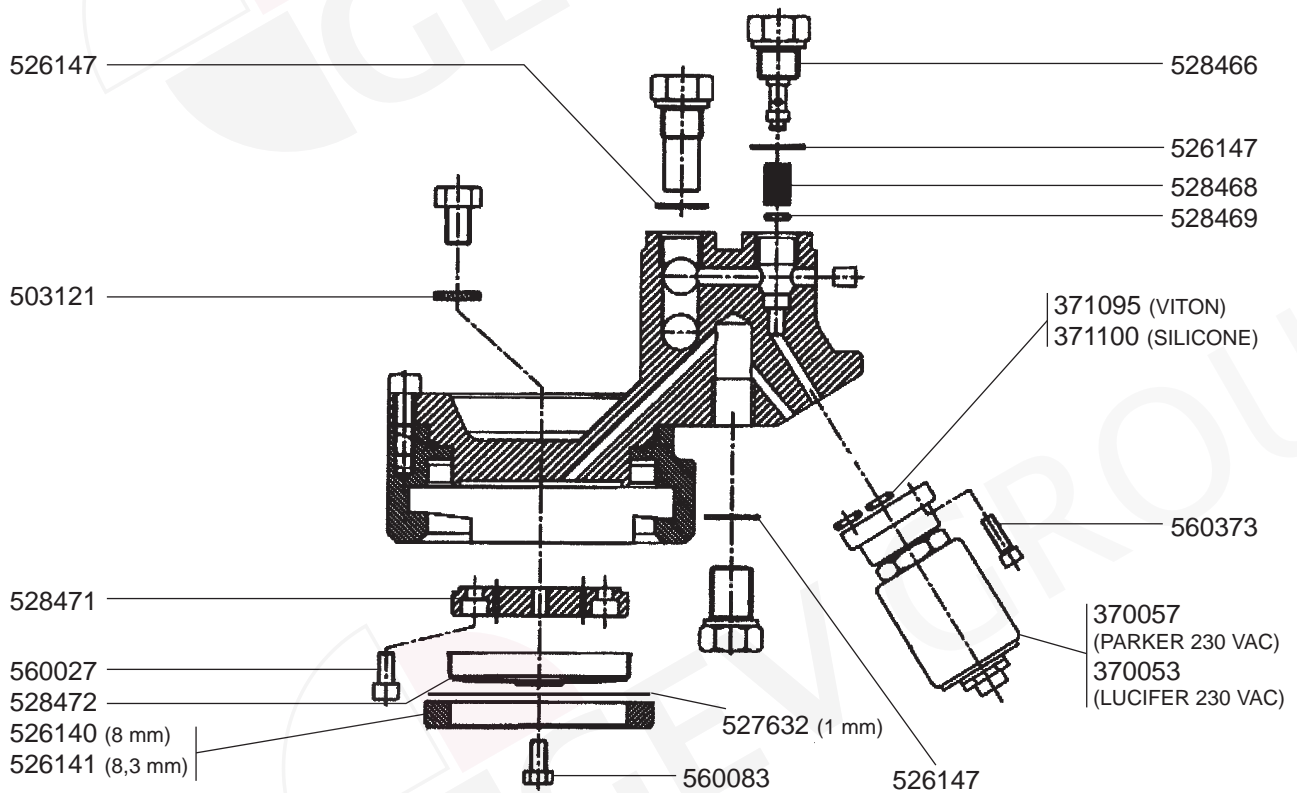




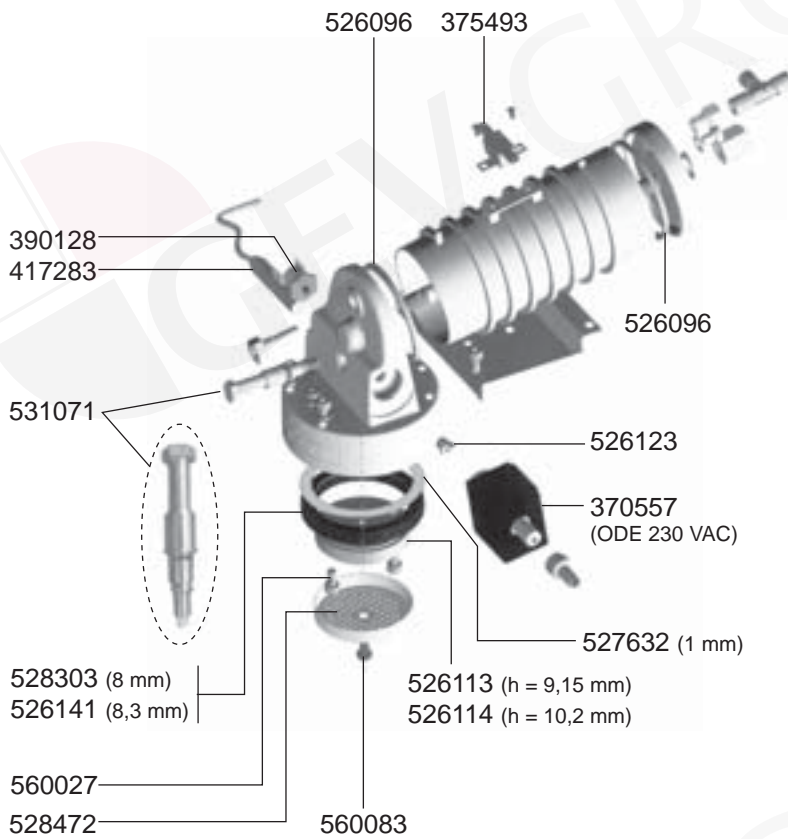
## GROUP CLASSICA/CLUB/XEOS



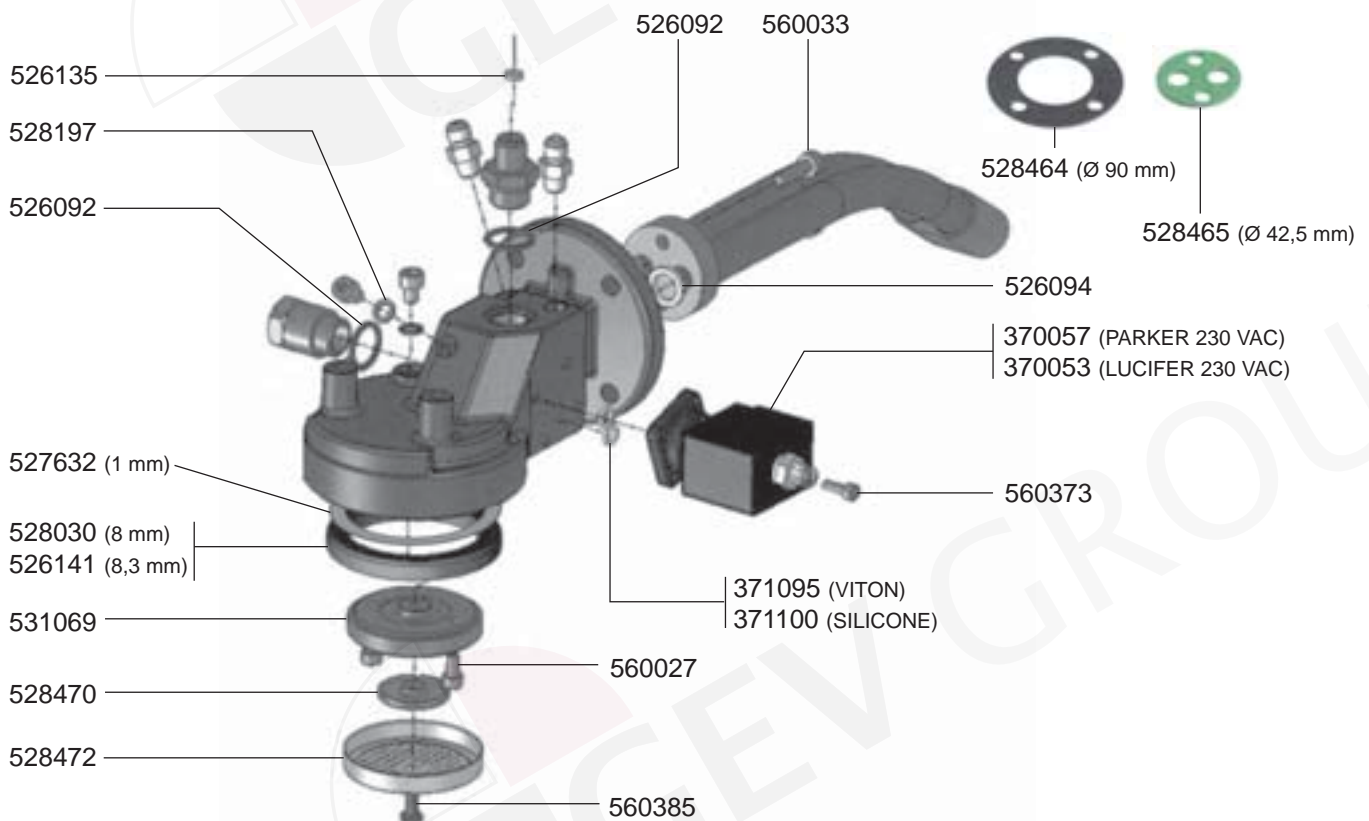
## GROUP ESSIKA



GROUP TWIN STAR



GROUP XEOS (2009)



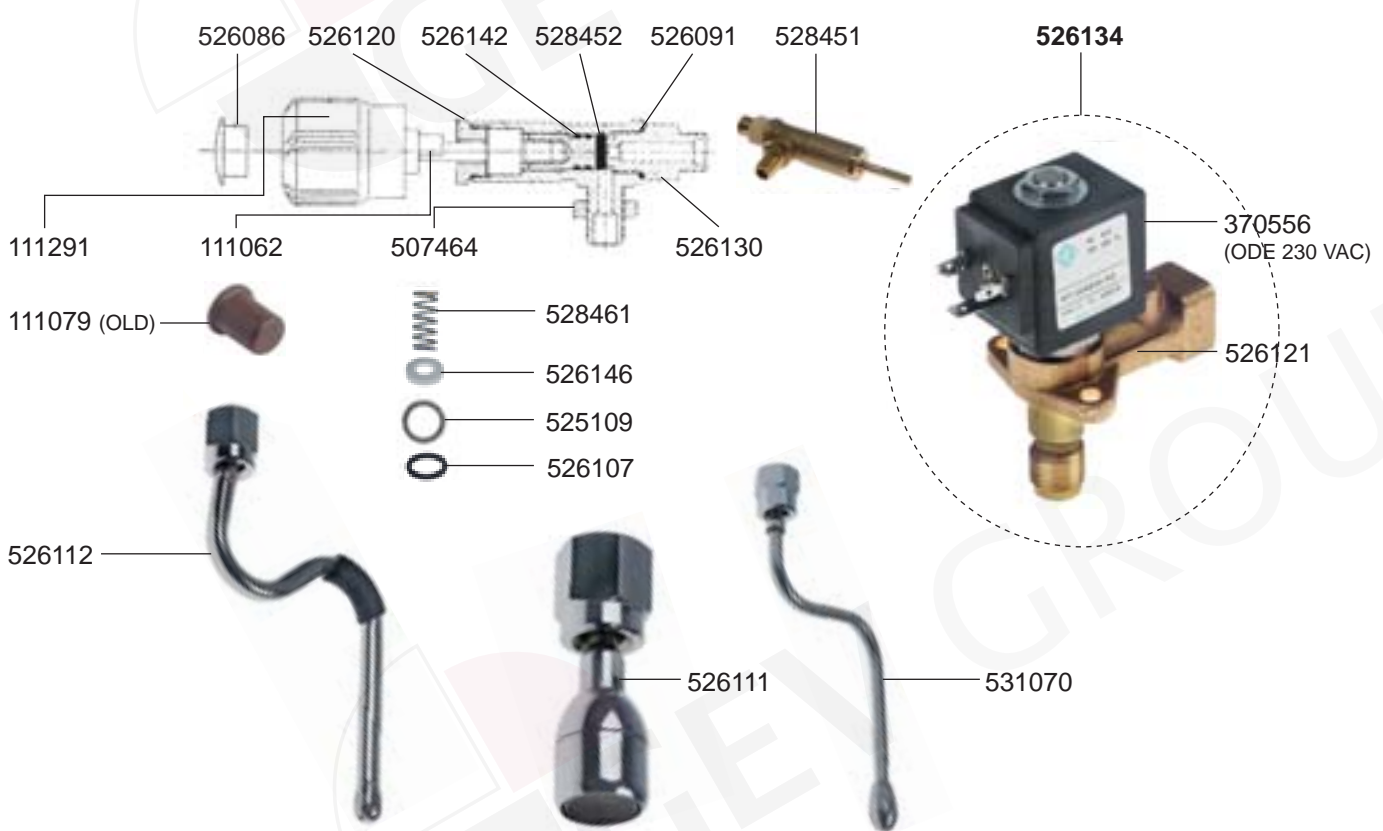
# CONTI – ESPRESSO MACHINES

1  
ESPRESSO MACHINES

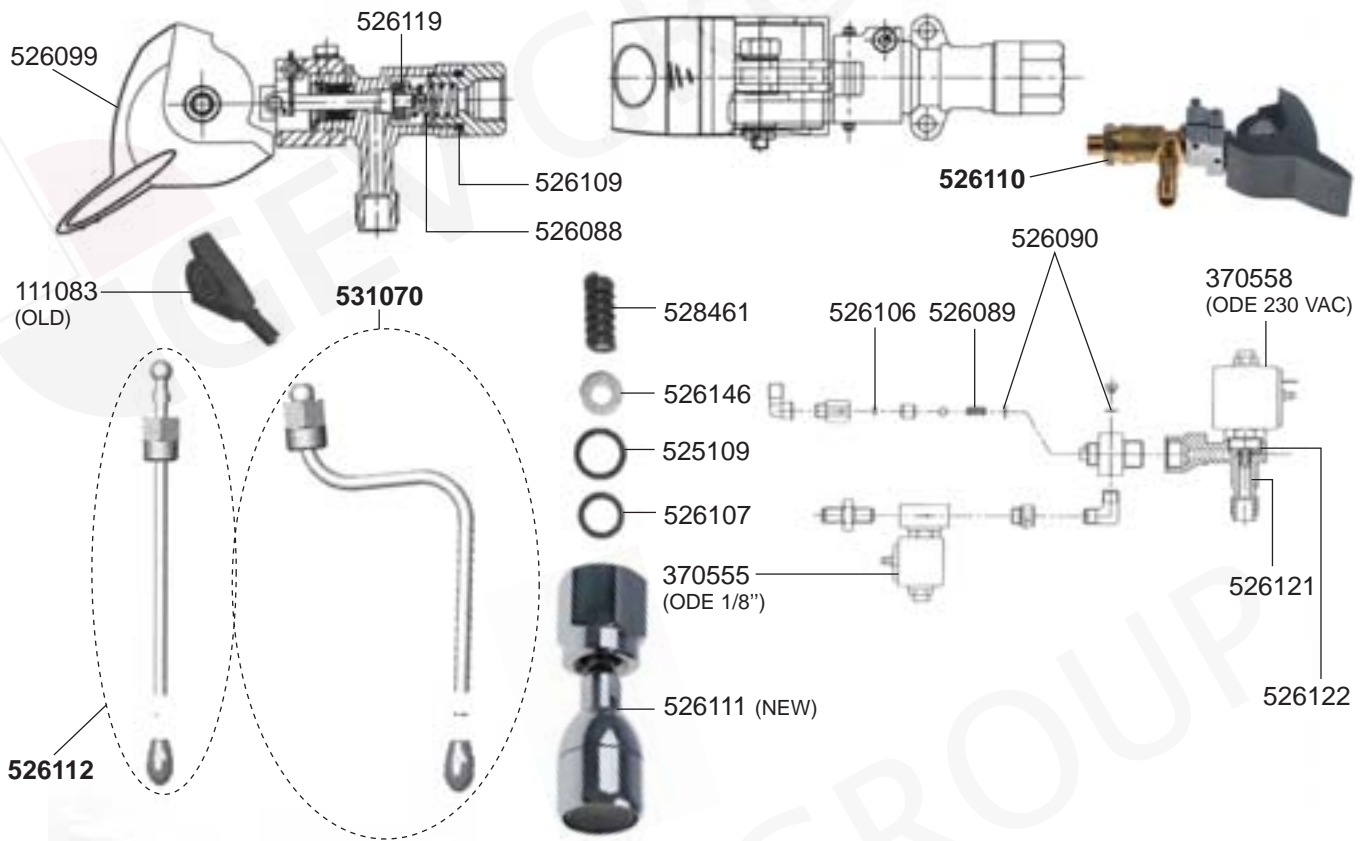
## FILTER HOLDERS



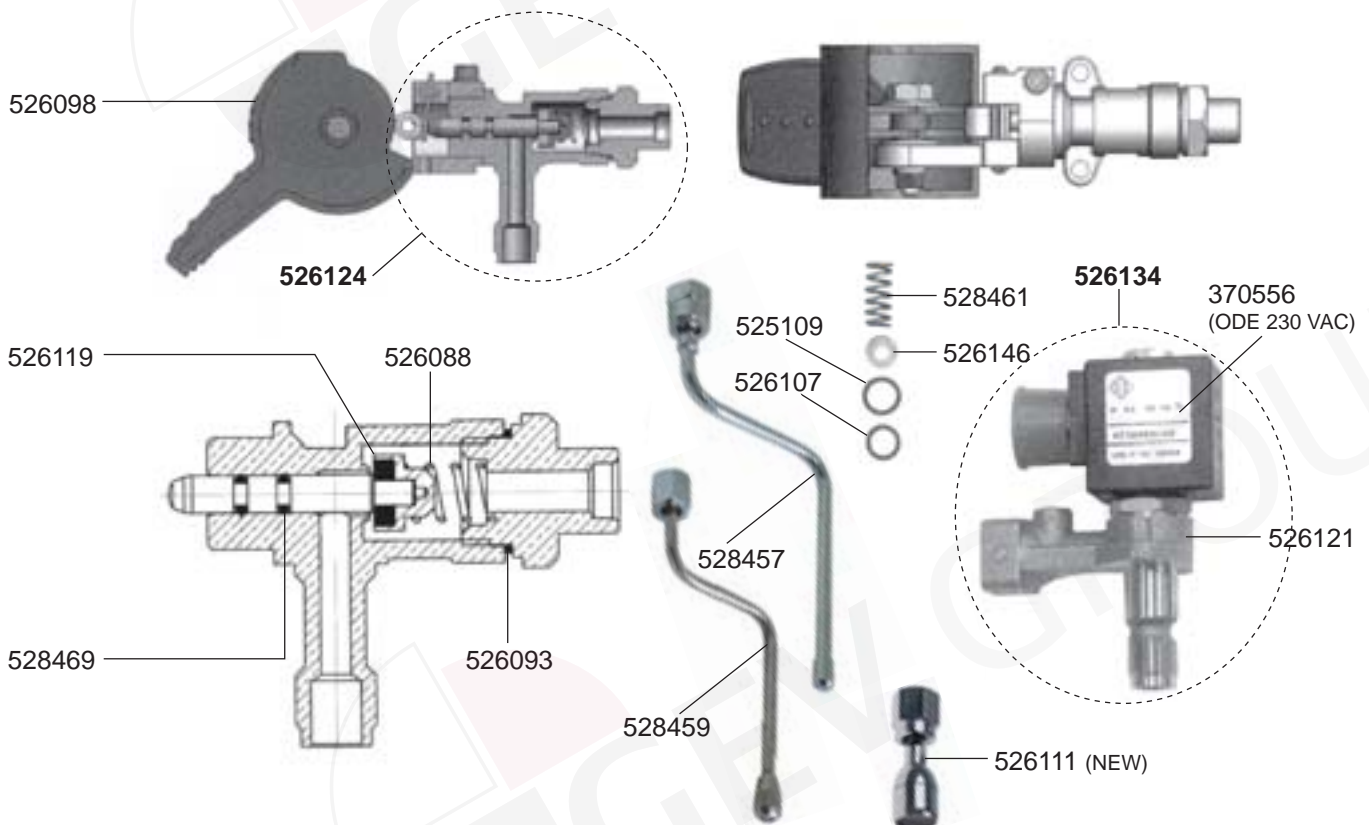
## STEAM/WATER TAPS CLASSICA/CLUB/ESSIKA



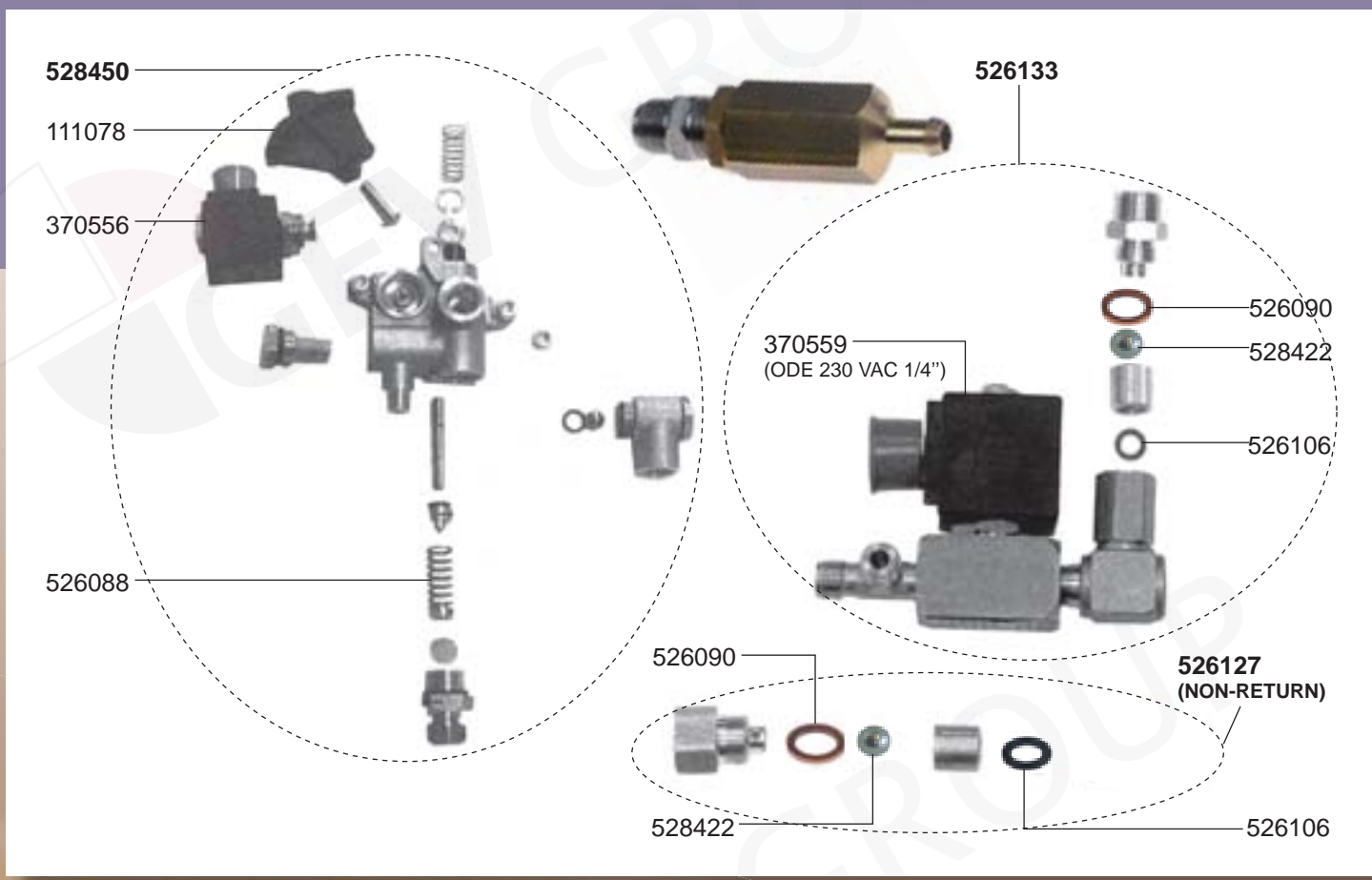
STEAM/WATER TAPS TWIN STAR



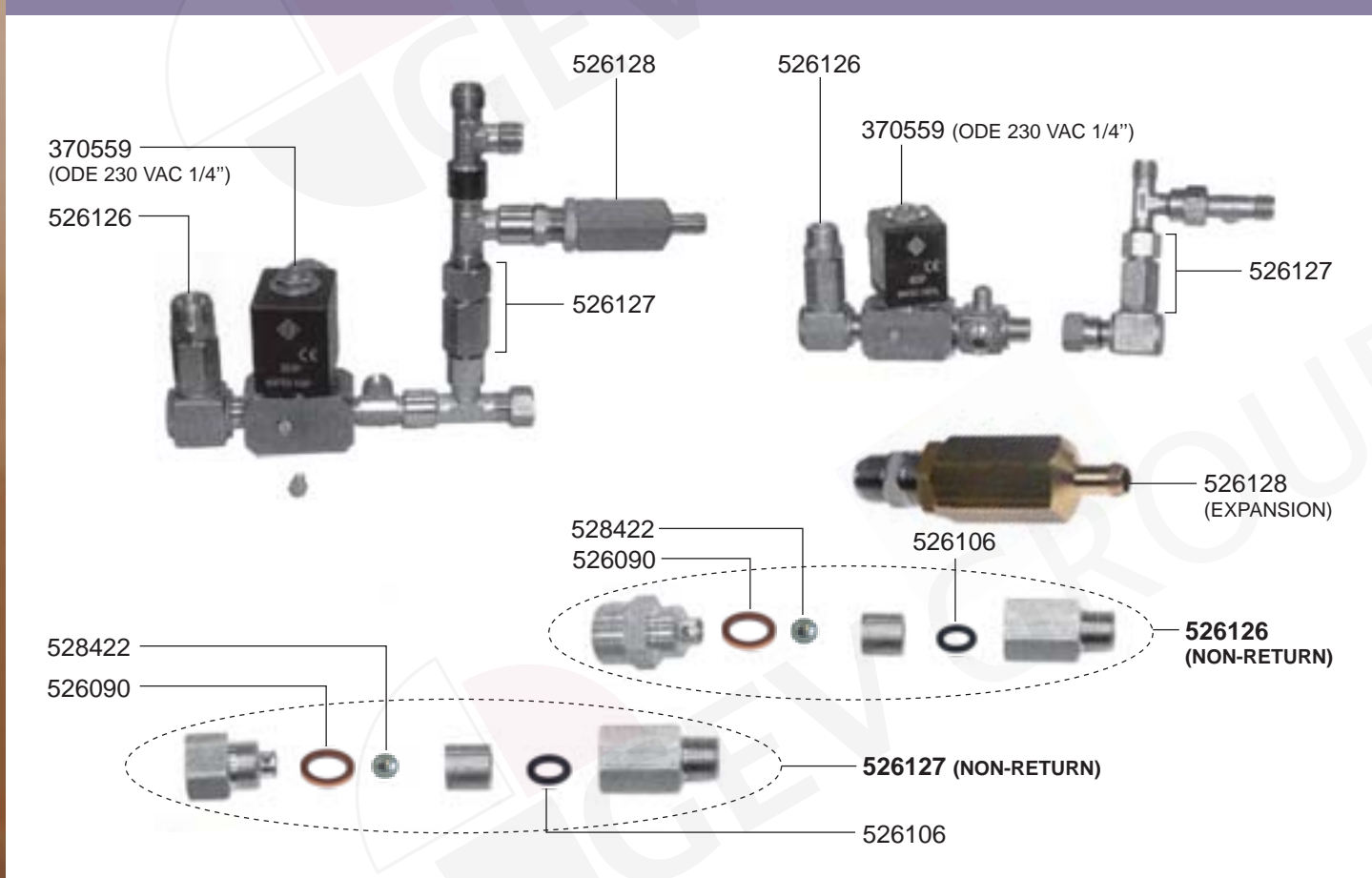
STEAM/WATER TAPS XEOS



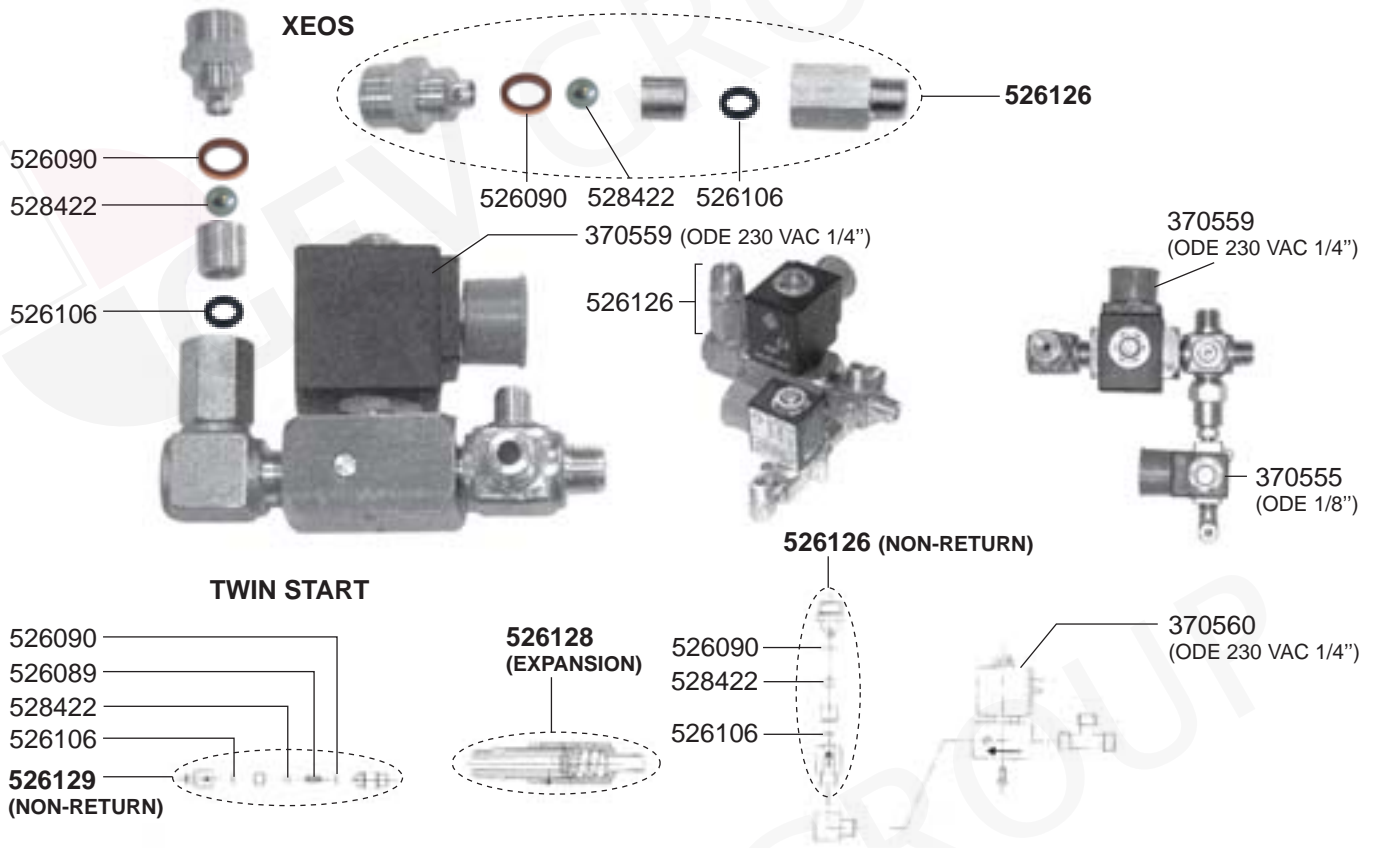
## VALVES CLASSICA/CLUB



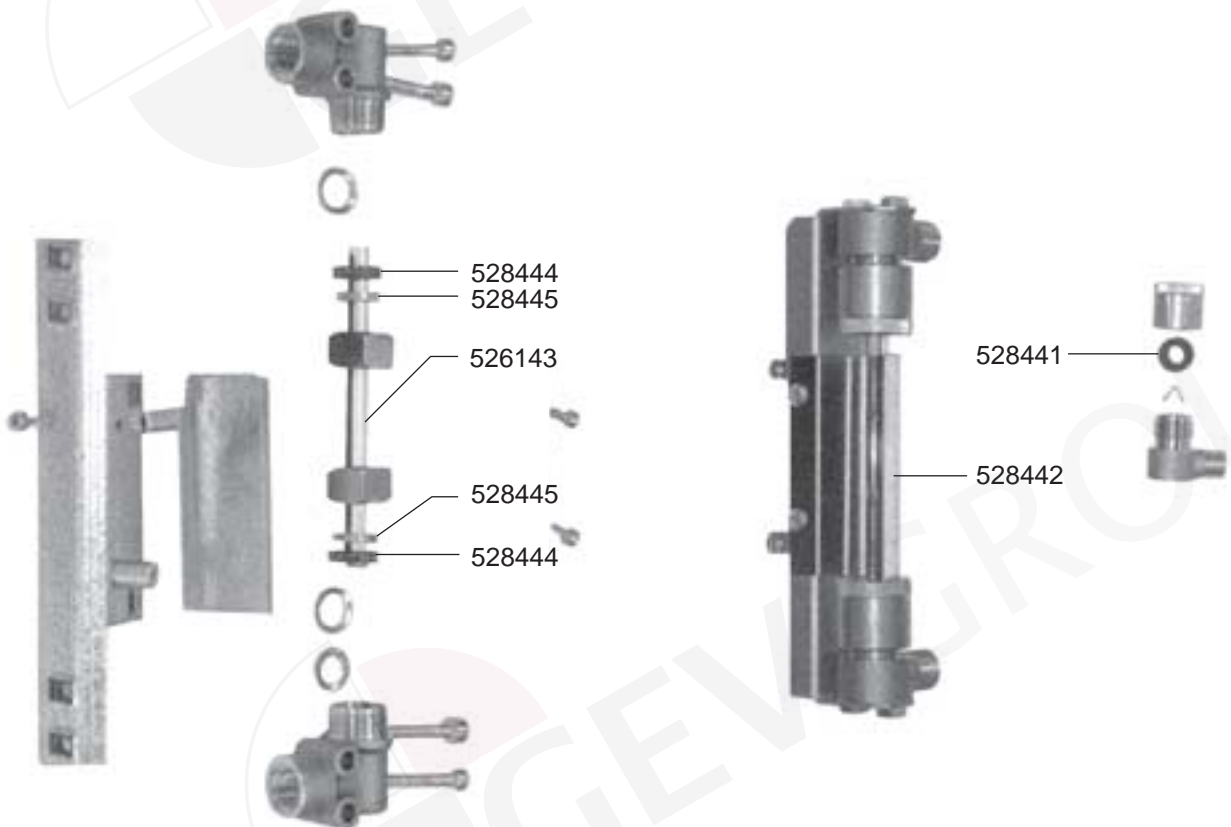
## VALVES ESSIKA



VALVES TWIN STAR/XEOS



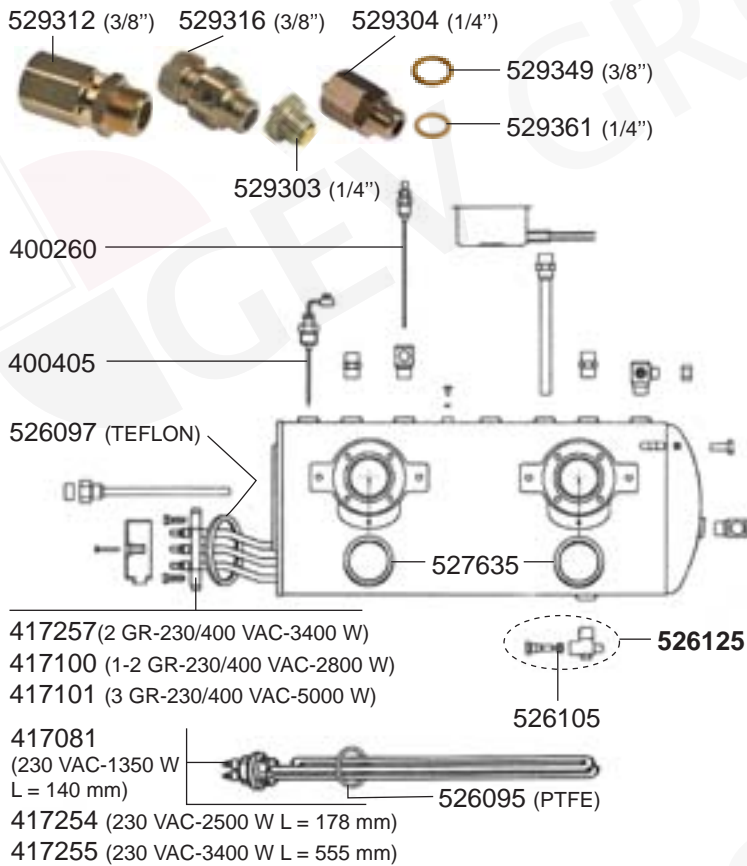
LEVEL INDICATOR



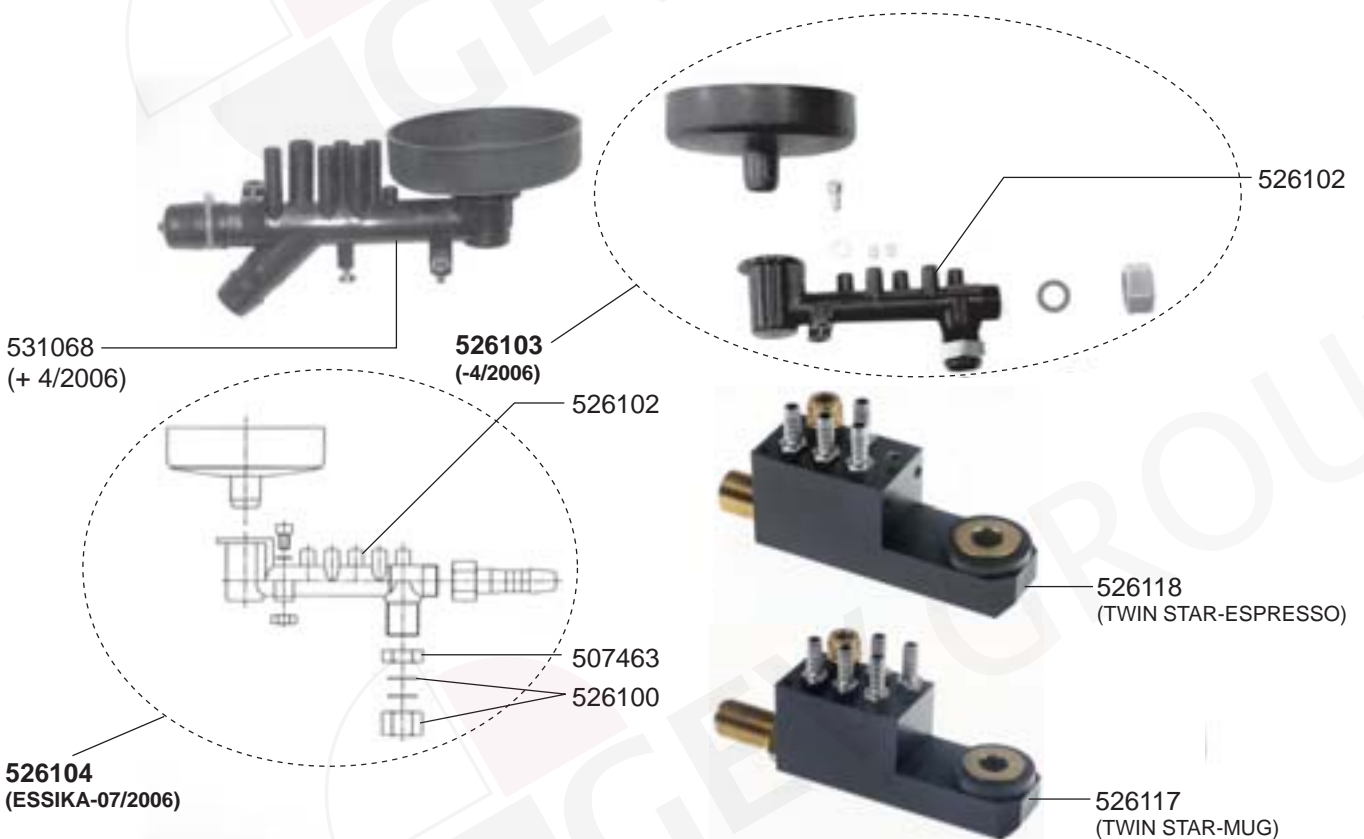
# CONTI - ESPRESSO MACHINES

1  
ESPRESSO MACHINES

## BOILER/MANOMETERS VARIOUS



## DRIP TRAYS



ELECTRICAL COMPONENTS CLASSICA



ELECTRICAL COMPONENTS CLUB





## ELECTRICAL COMPONENTS ESIKA



402309 (BLACK)



402308 (BLUE)



402315  
(+10/2008/SDE3P CO2A)



402296



347222 (BLUE)



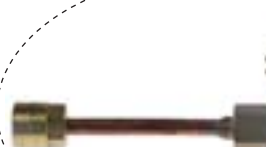
346377 (BLACK)



301036



402062 (+10/2008)

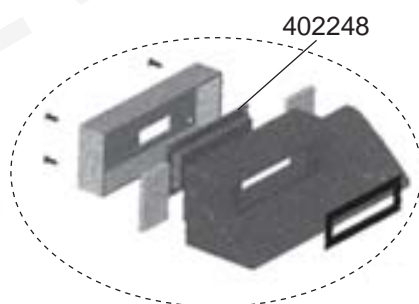
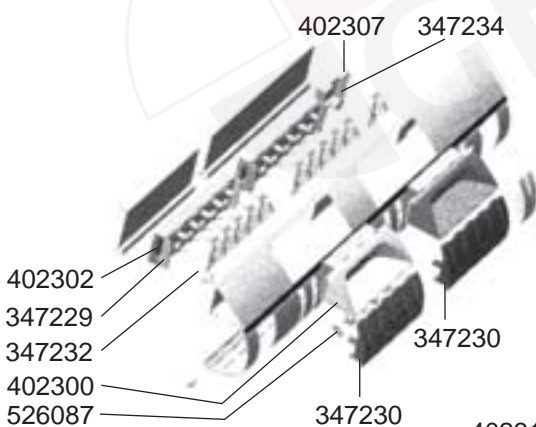


541700



390693 (160°)

## ELECTRICAL COMPONENTS TWIN STAR



347223

402300



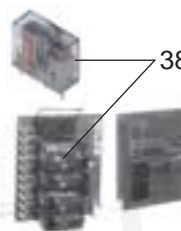
400297



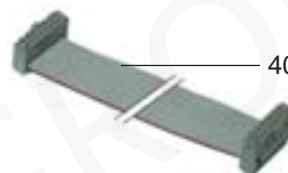
402316



402312 (TS2)



380348



400228



358121



381017

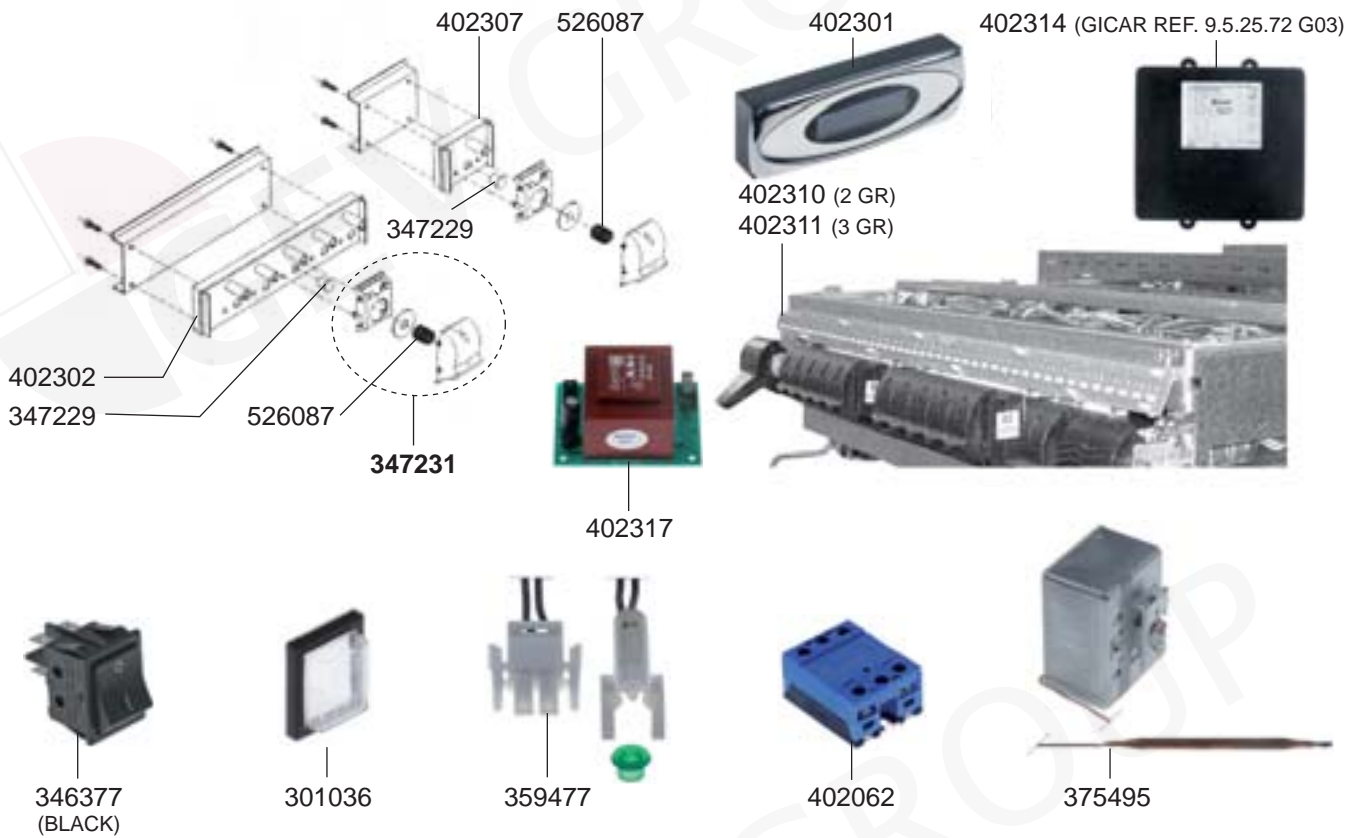


381031

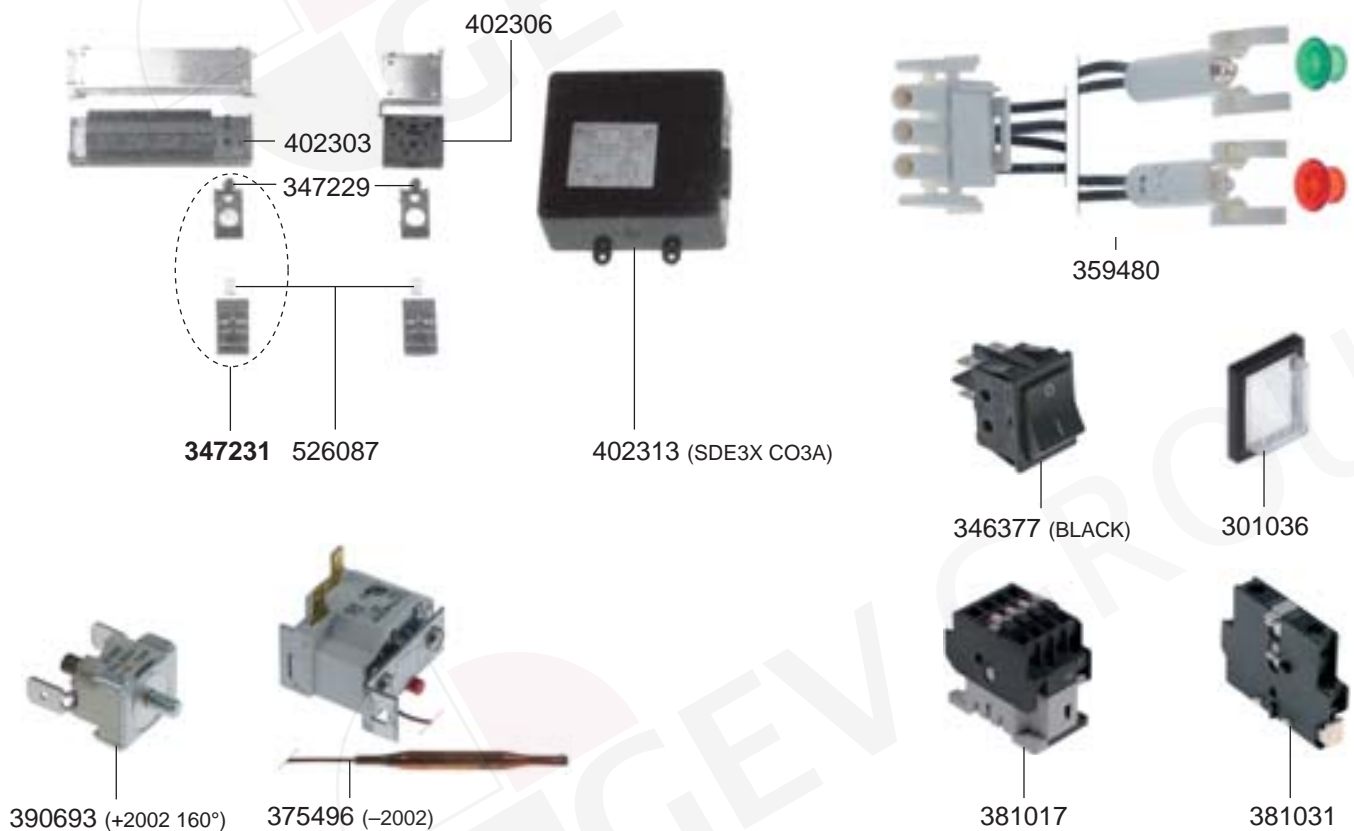


541699

## ELECTRICAL COMPONENTS XEOS DISPLAY



## ELECTRICAL COMPONENTS XEOS EV



## ELECTRICAL COMPONENTS VARIOUS



400004



400256



400257



400258



541021  
(SIRAI, 30 AMP,  
3 POLES)



541724  
(SIRAI, 20 AMP,  
3 POLES)



541723  
(SIRAI, 20 AMP,  
2 POLES)



541453  
(PARKER)



370057  
(PARKER 230 VAC)



370062  
(PARKER)



370206  
(PARKER 230 VAC 1/8")



371029  
(PARKER 230 VAC)



371091



371090



371095  
(VITON)



371100  
(SILICONE)

370053  
(LUCIFER 230 VAC)

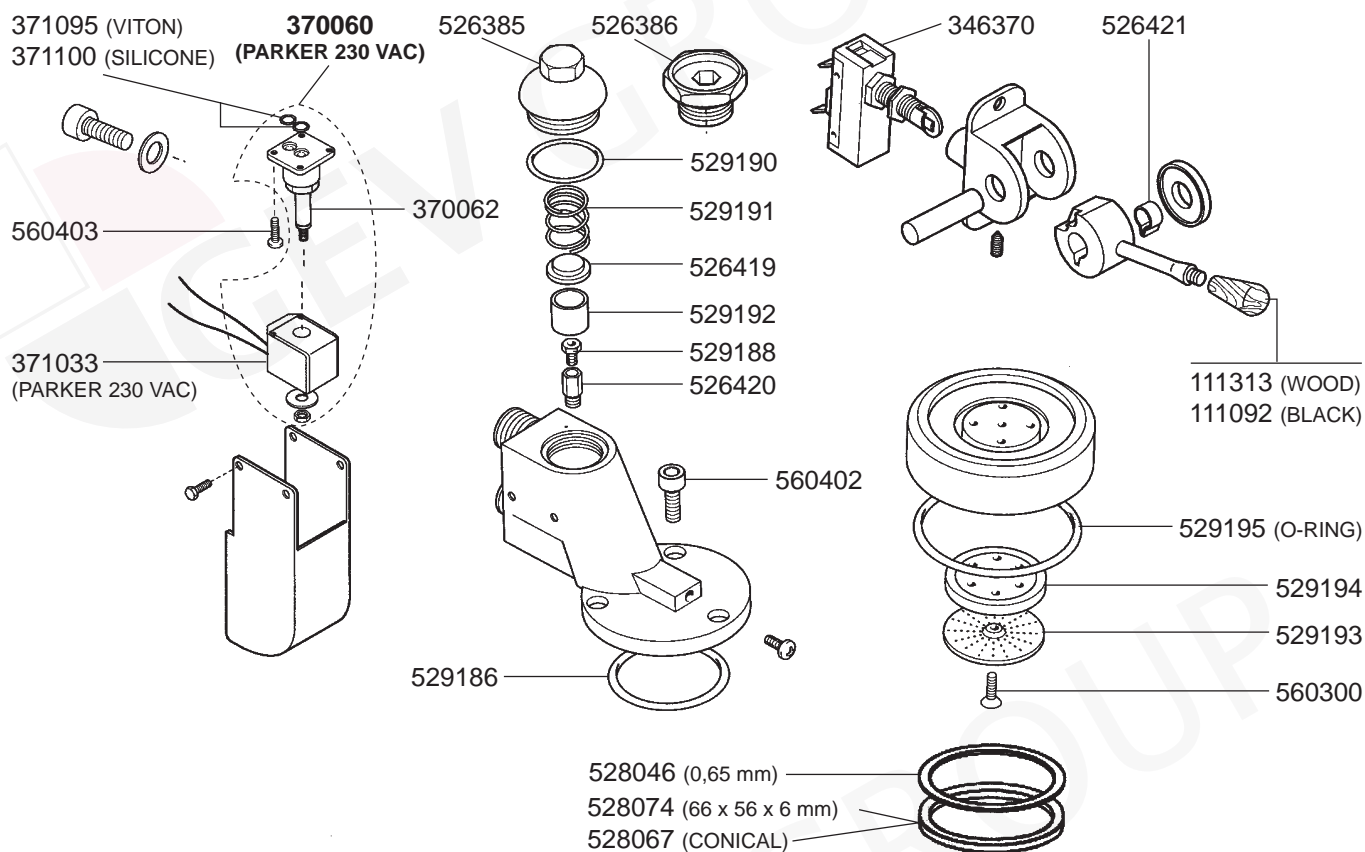
370061  
(LUCIFER)

370072  
(LUCIFER 230 VAC 1/8")

371031  
(LUCIFER 230 VAC)

370555  
(ODE 230 VAC 1/8")

## GROUP



## FILTER HOLDERS



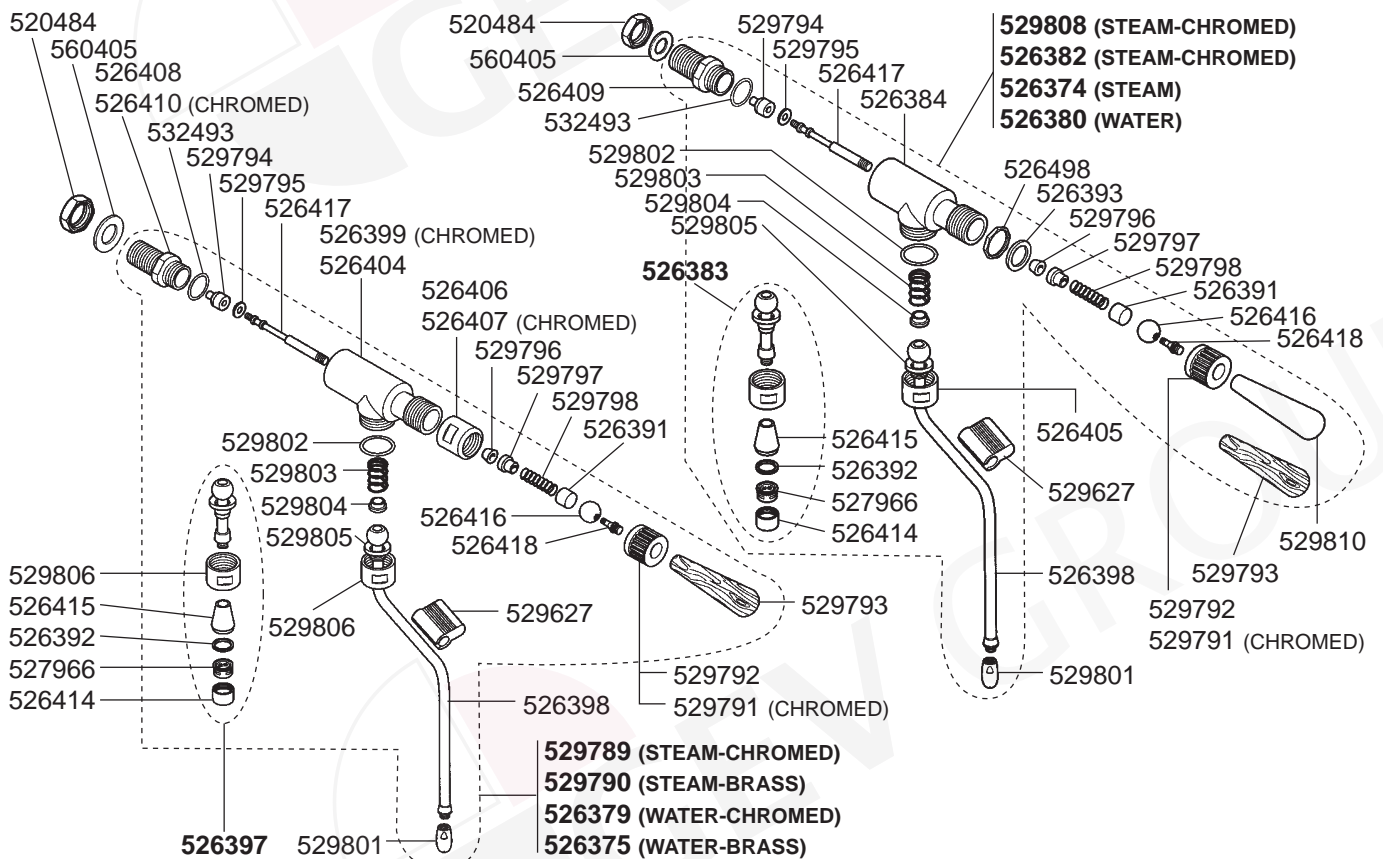
# ELEKTRA – ESPRESSO MACHINES

ESPRESSO MACHINES

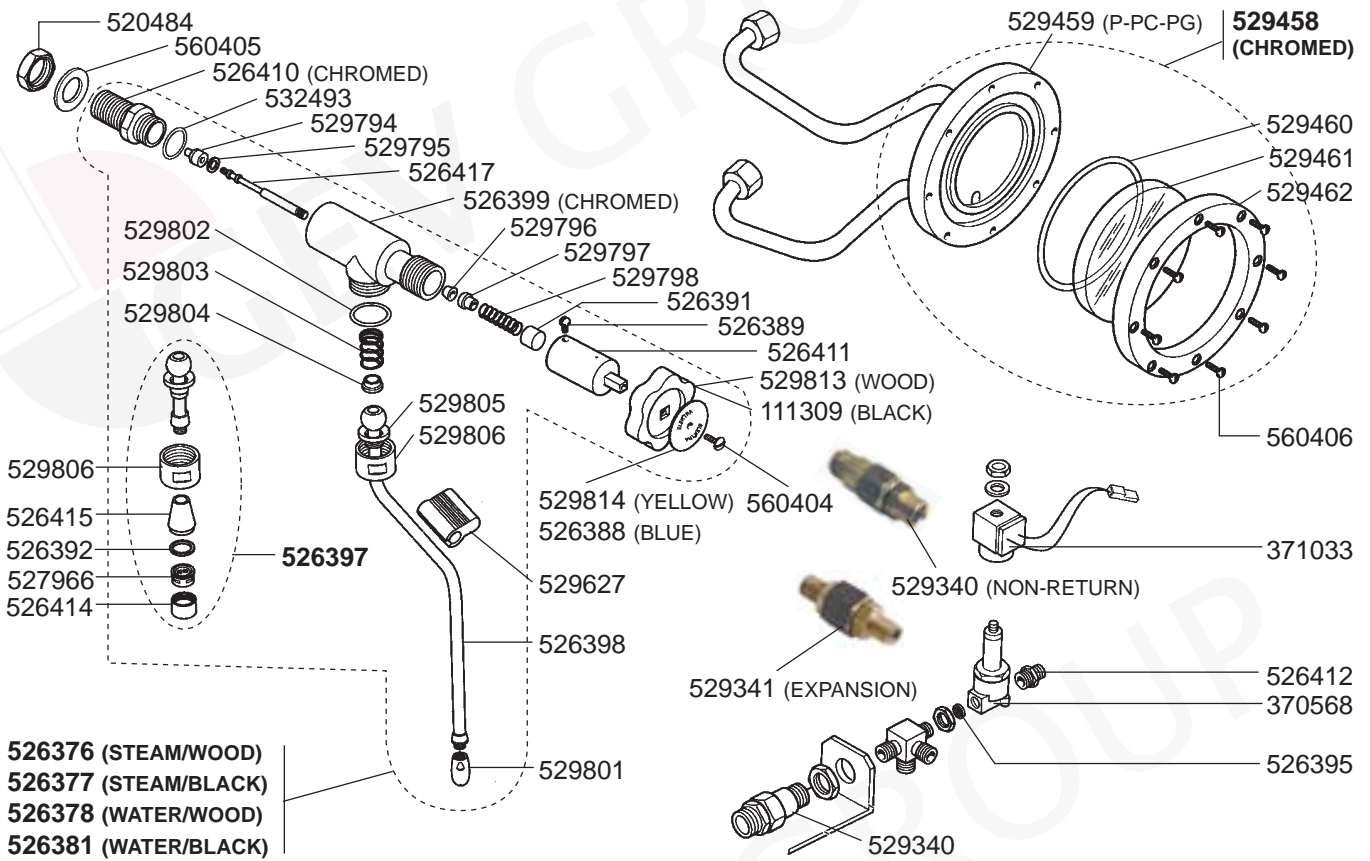
## GROUP/FILTER HOLDERS HOME



## STEAM/WATER TAPS

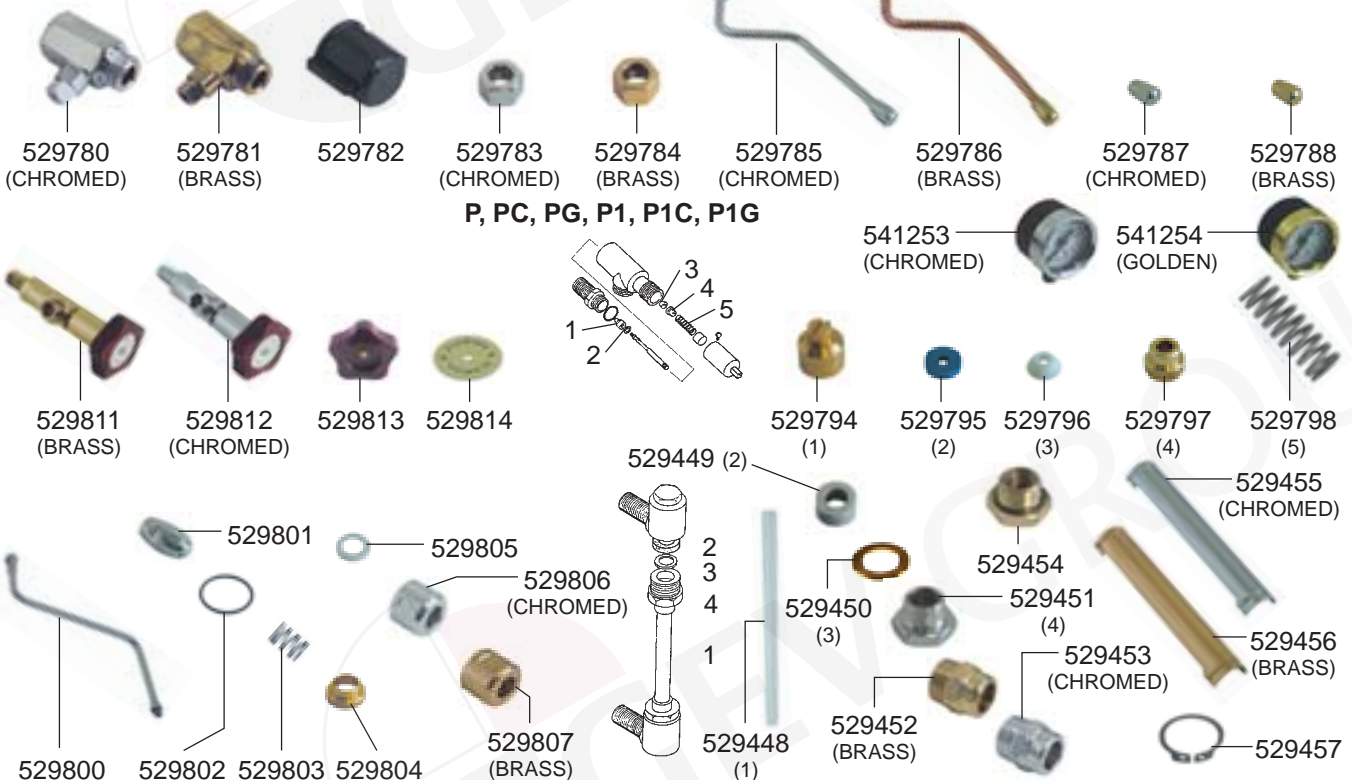


## STEAM/WATER TAPS/LEVEL INDICATOR/VALVES

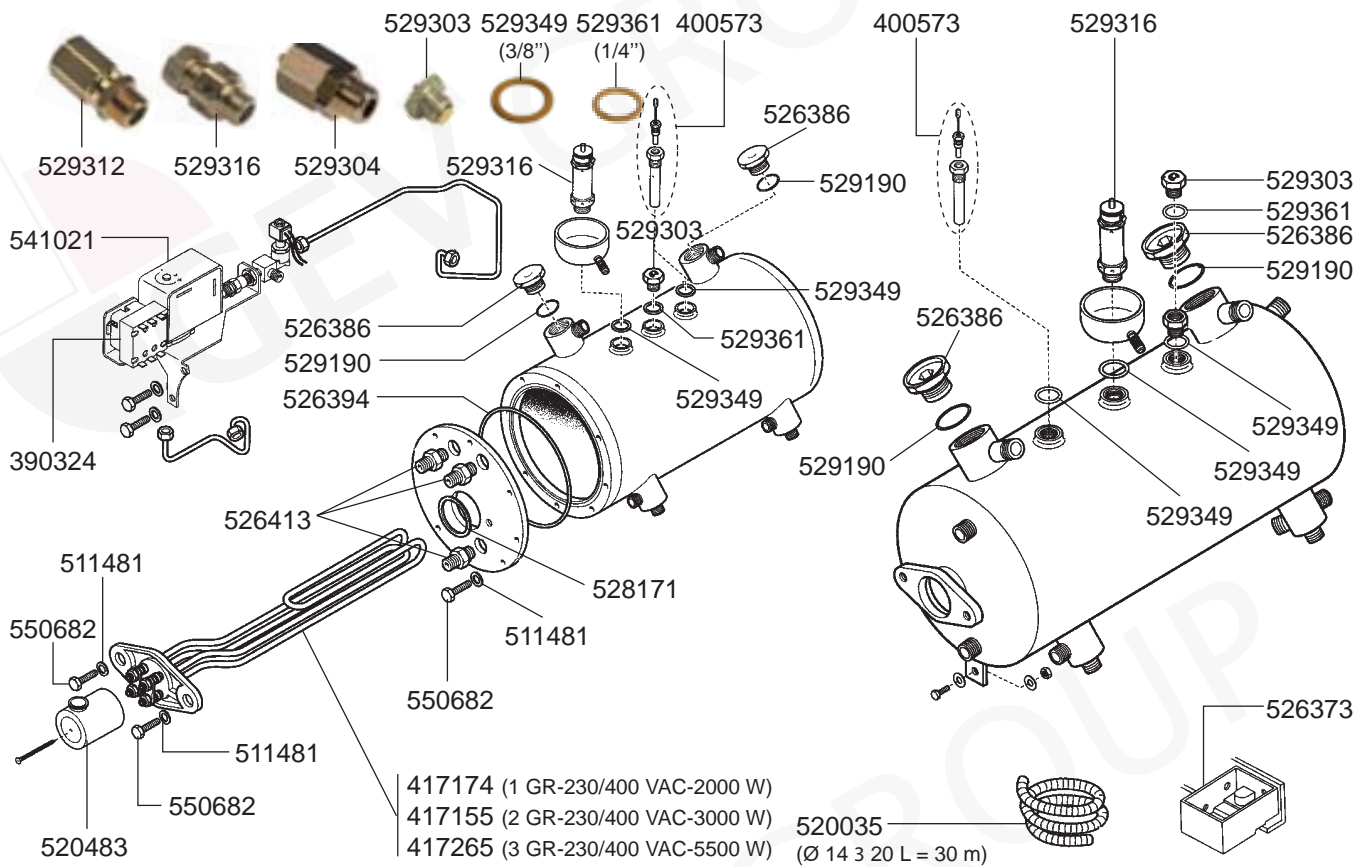


## STEAM/WATER TAPS/LEVEL INDICATOR HOME

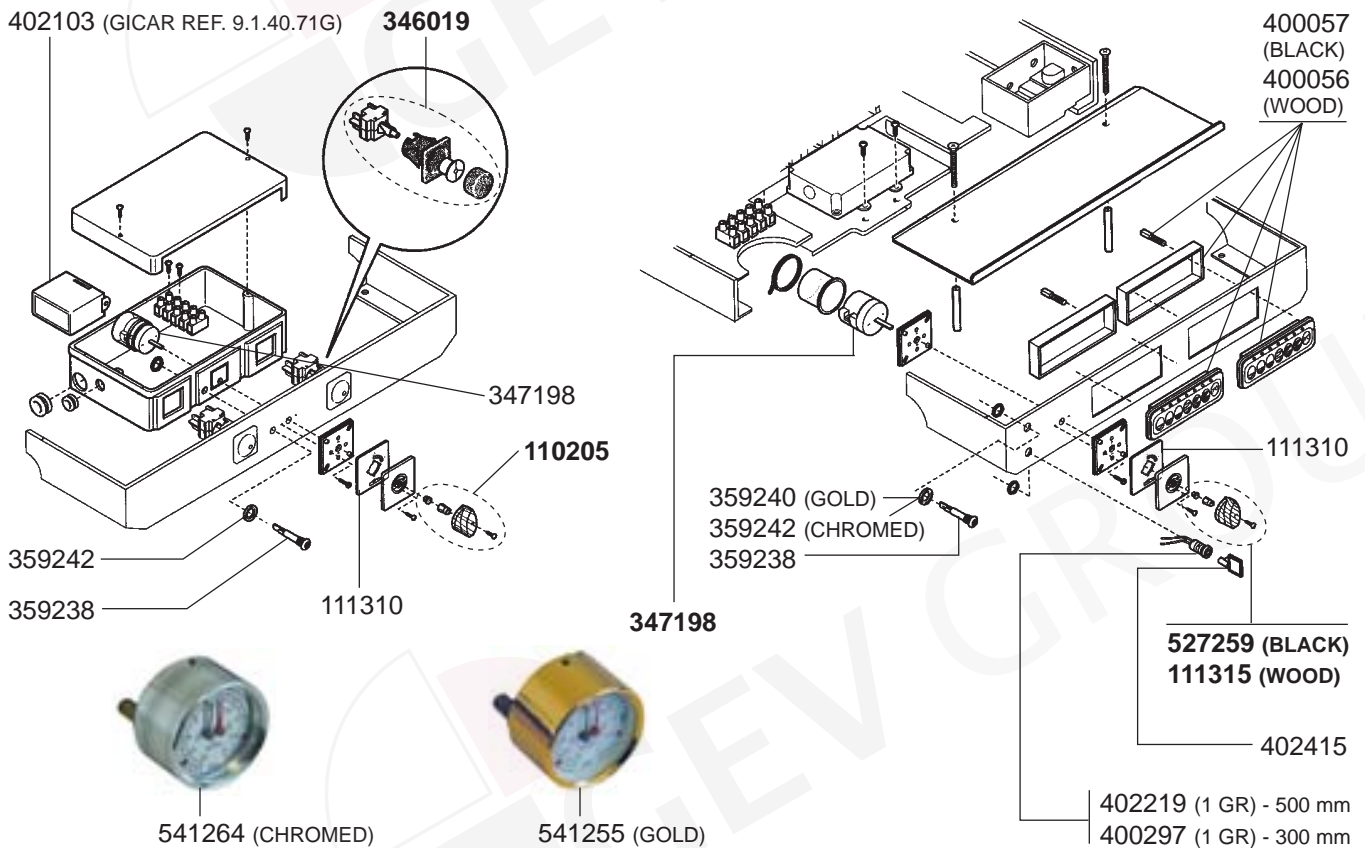
### S1, S1C, SX, SXC



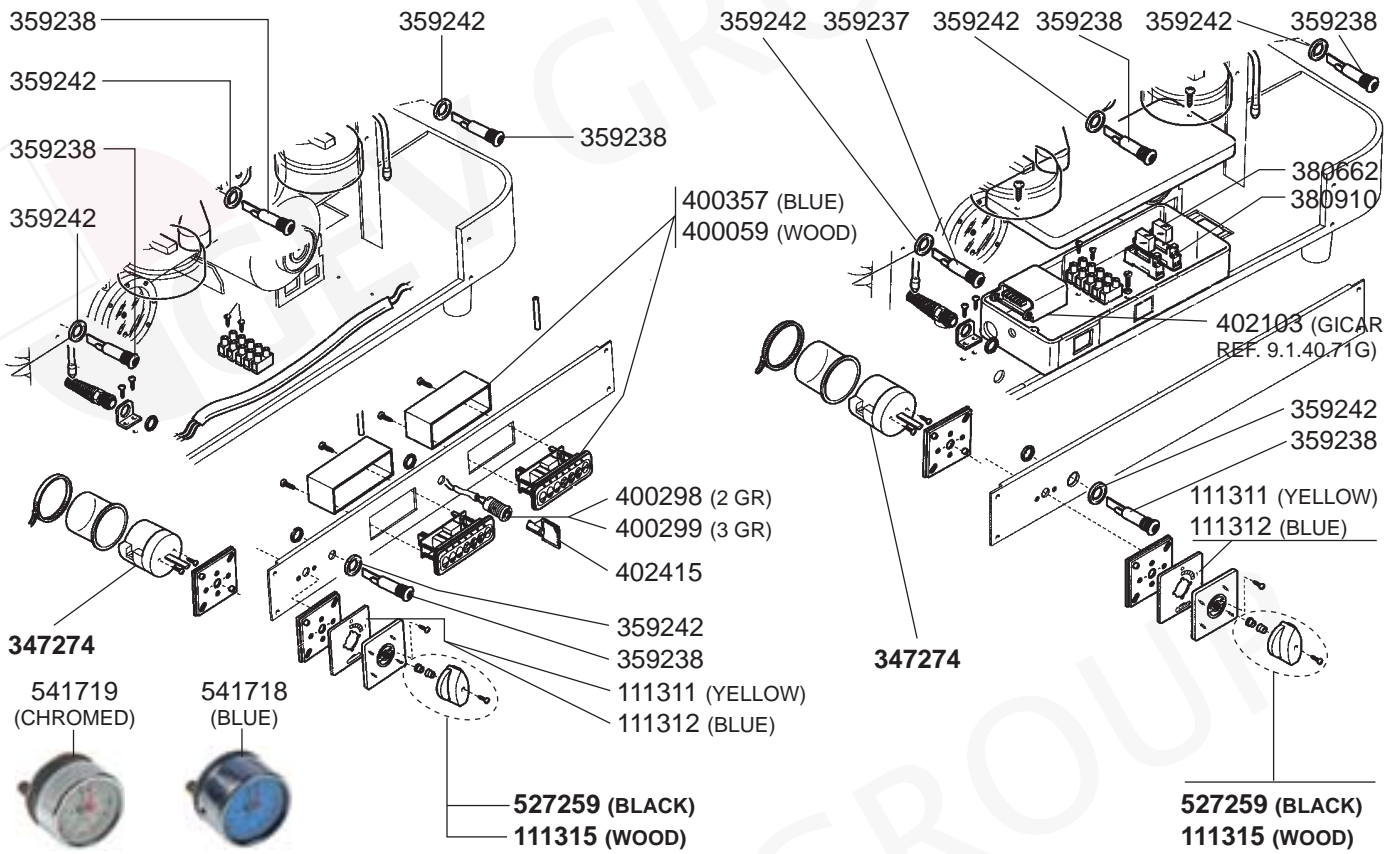
## 1 BOILER/DRIP TRAY VARIOUS



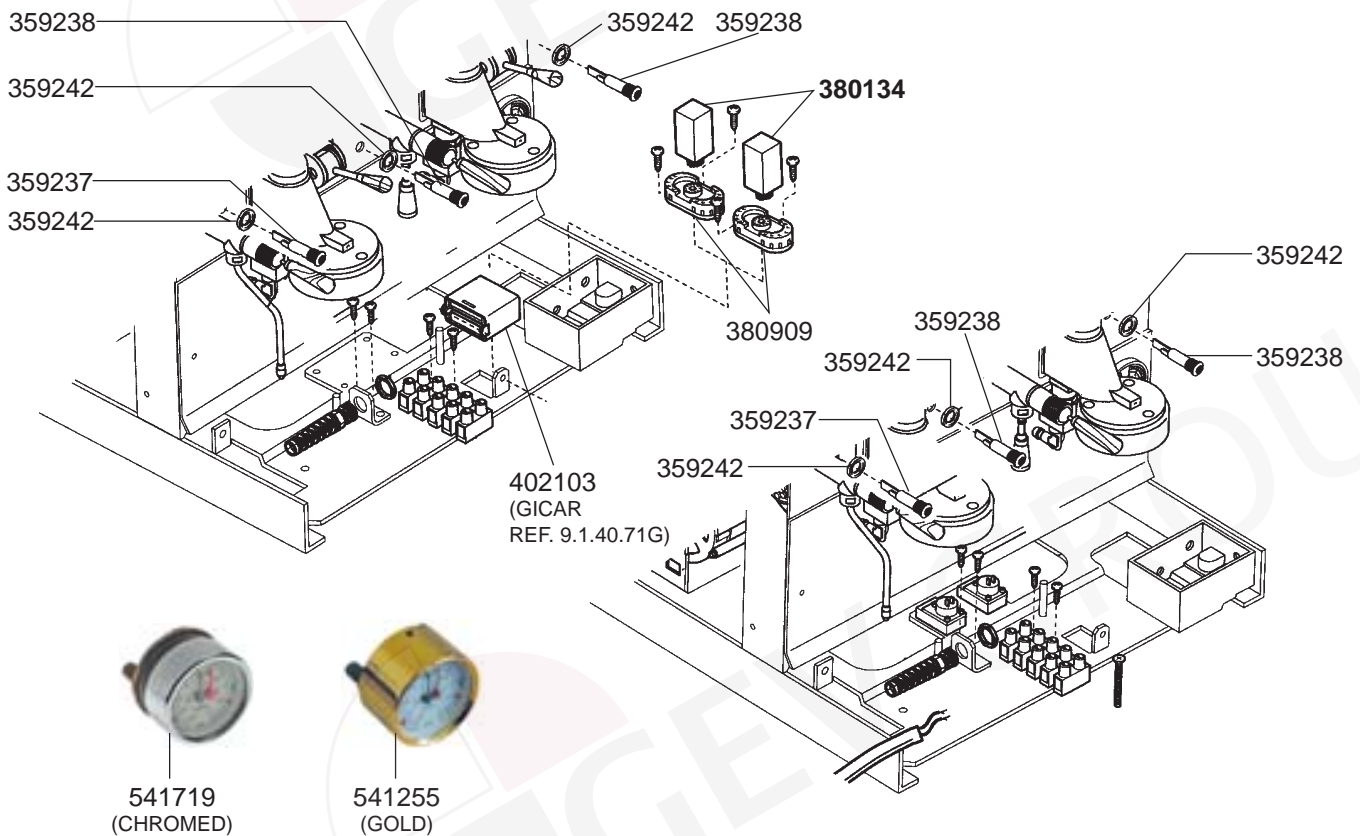
## ELECTRICAL COMPONENTS MODERN-GOLD



## ELECTRICAL COMPONENTS BARLUME

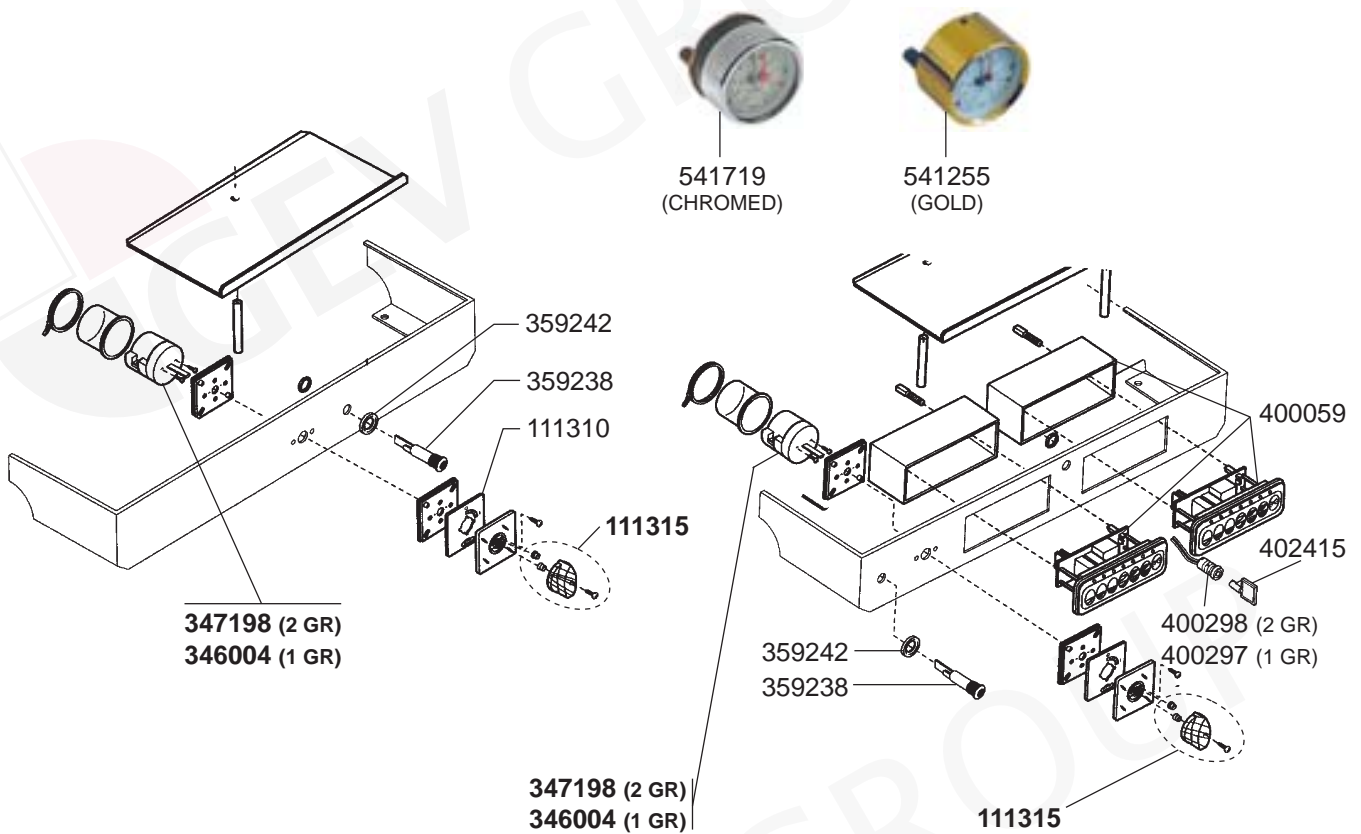


## ELECTRICAL COMPONENTS SIXTIES





## ELECTRICAL COMPONENTS SIXTIES



## ELECTRICAL COMPONENTS VARIOUS



ELECTRICAL COMPONENTS VARIOUS



390324



345722 (1 POLE)



345720 (2 POLES)



346020



346031



346032



346019



301001  
(RED)



301060



301038 (GREEN)



301039 (RED)



301040 (SWITCH)  
301044  
(PUSH BUTTON)



359237  
(RED)



359238  
(GREEN)



359240  
(GOLD)



359242  
(CHROMED)



417175  
(800 W  
230 VAC)



528182

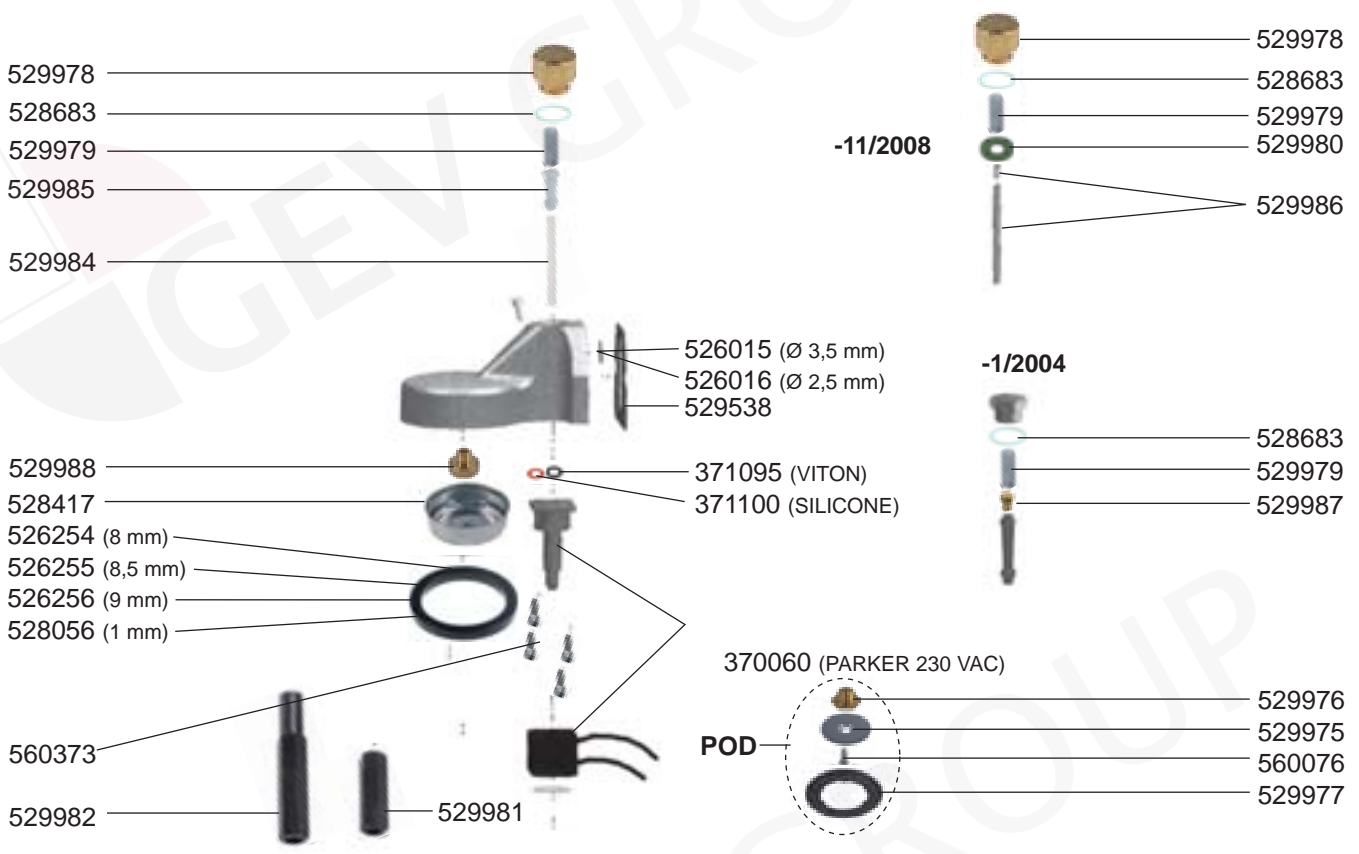


400361  
(OLD-00384035)

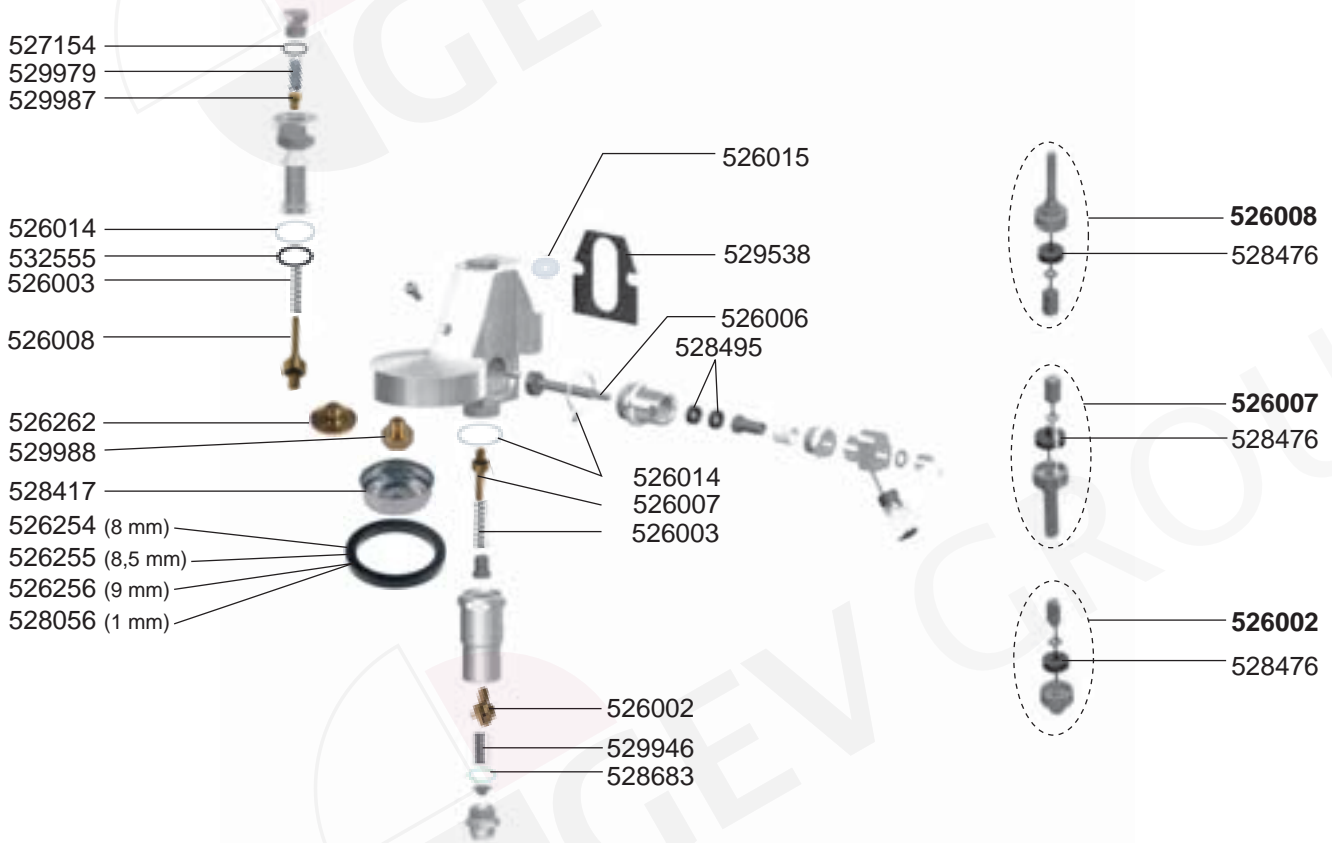
# EXPOBAR-CREM – ESPRESSO MACHINES

1  
ESPRESSO MACHINES

## SOLENOID GROUP



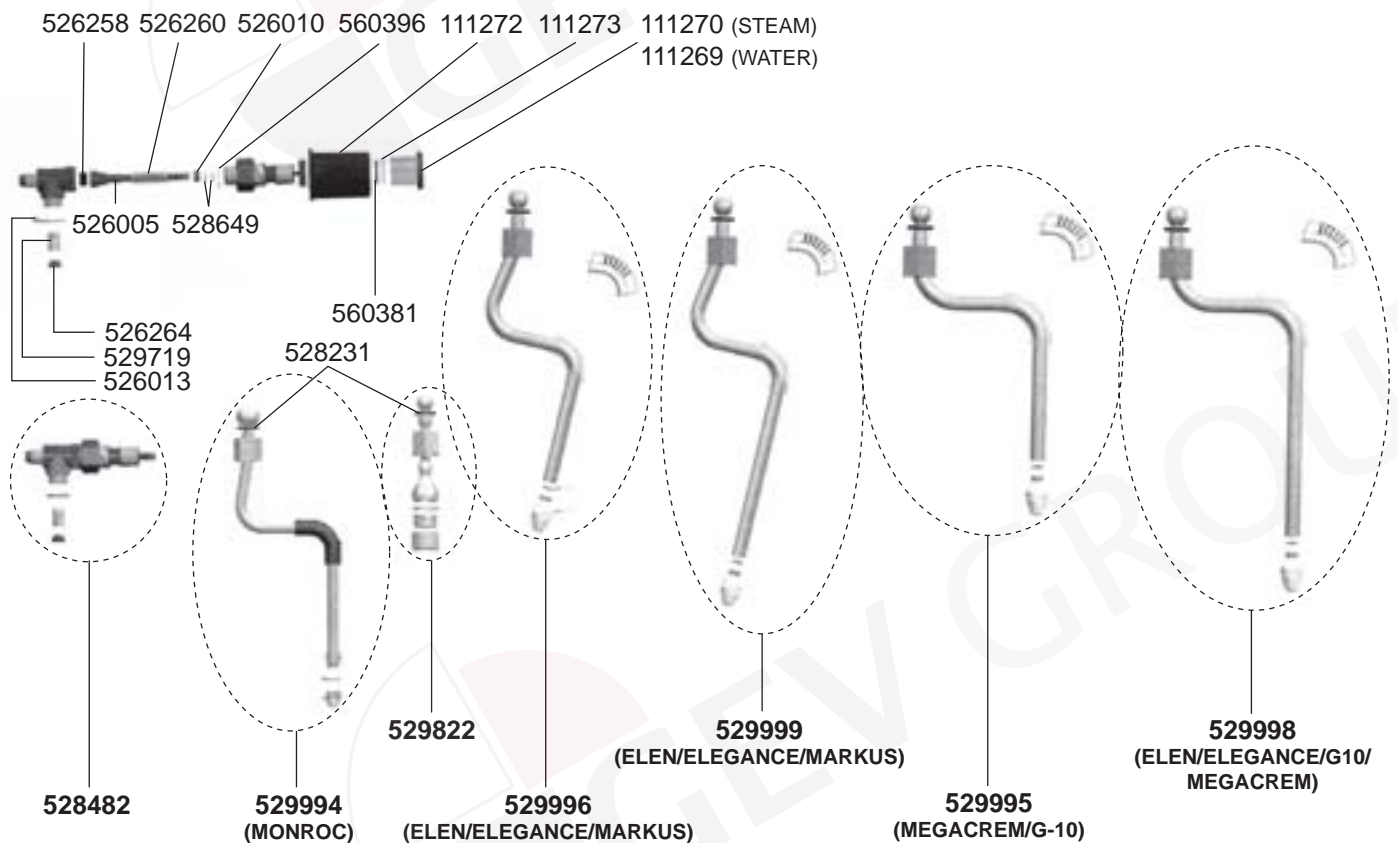
## MANUAL GROUP



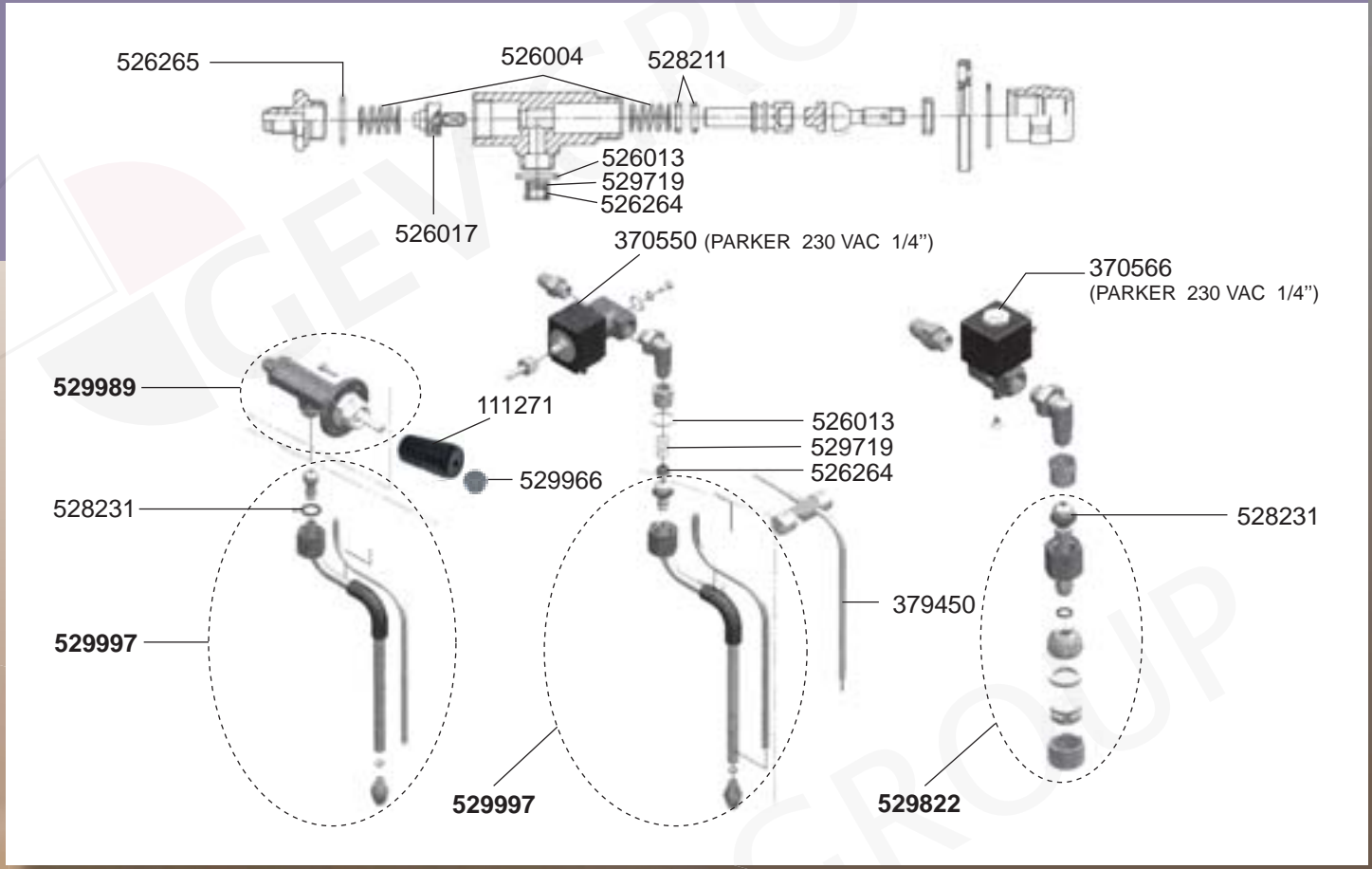
## FILTER HOLDERS



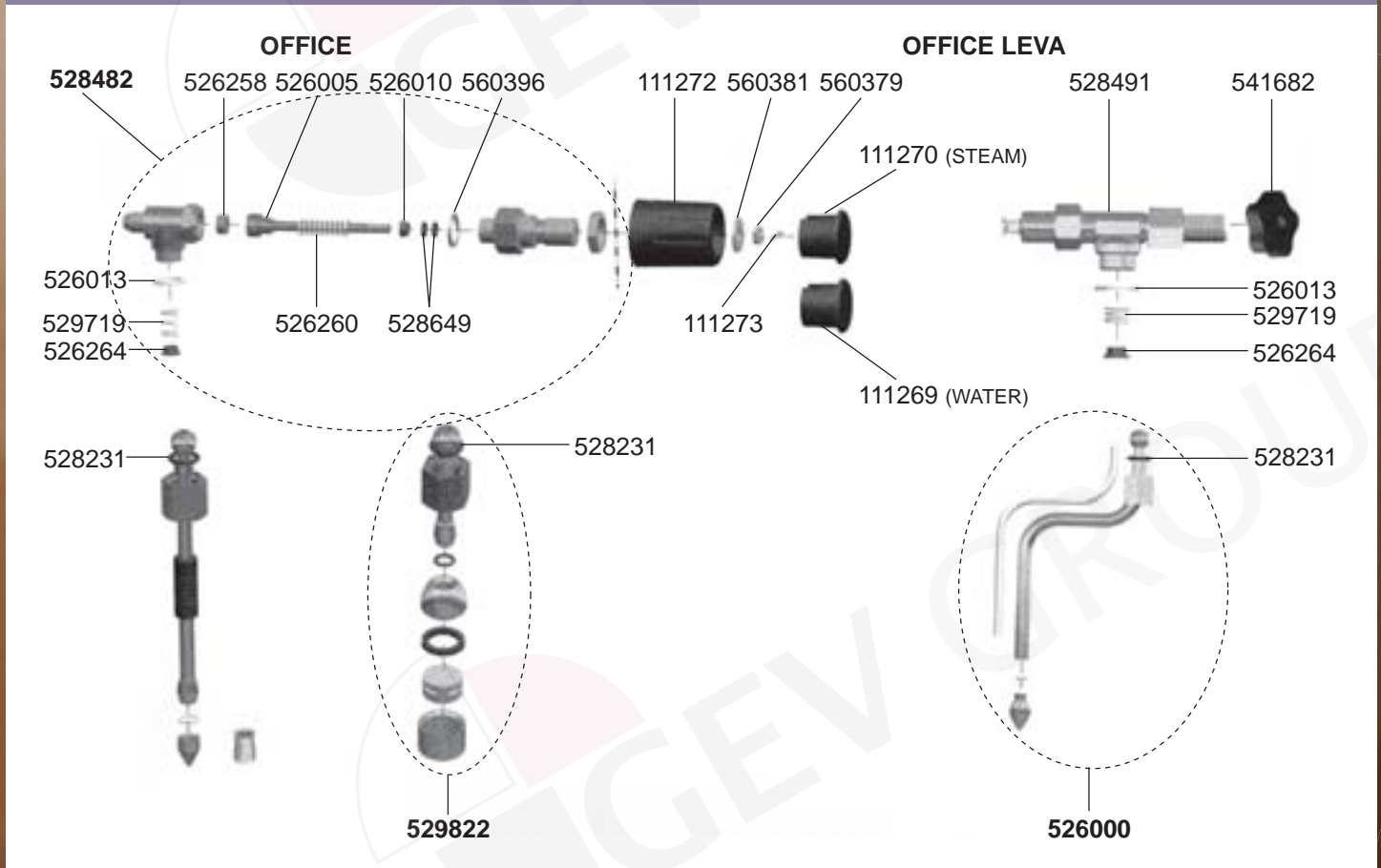
## STEAM/WATER ELEGANCE/MARKUS/MONROC/G10/MEGACREM/ELEN



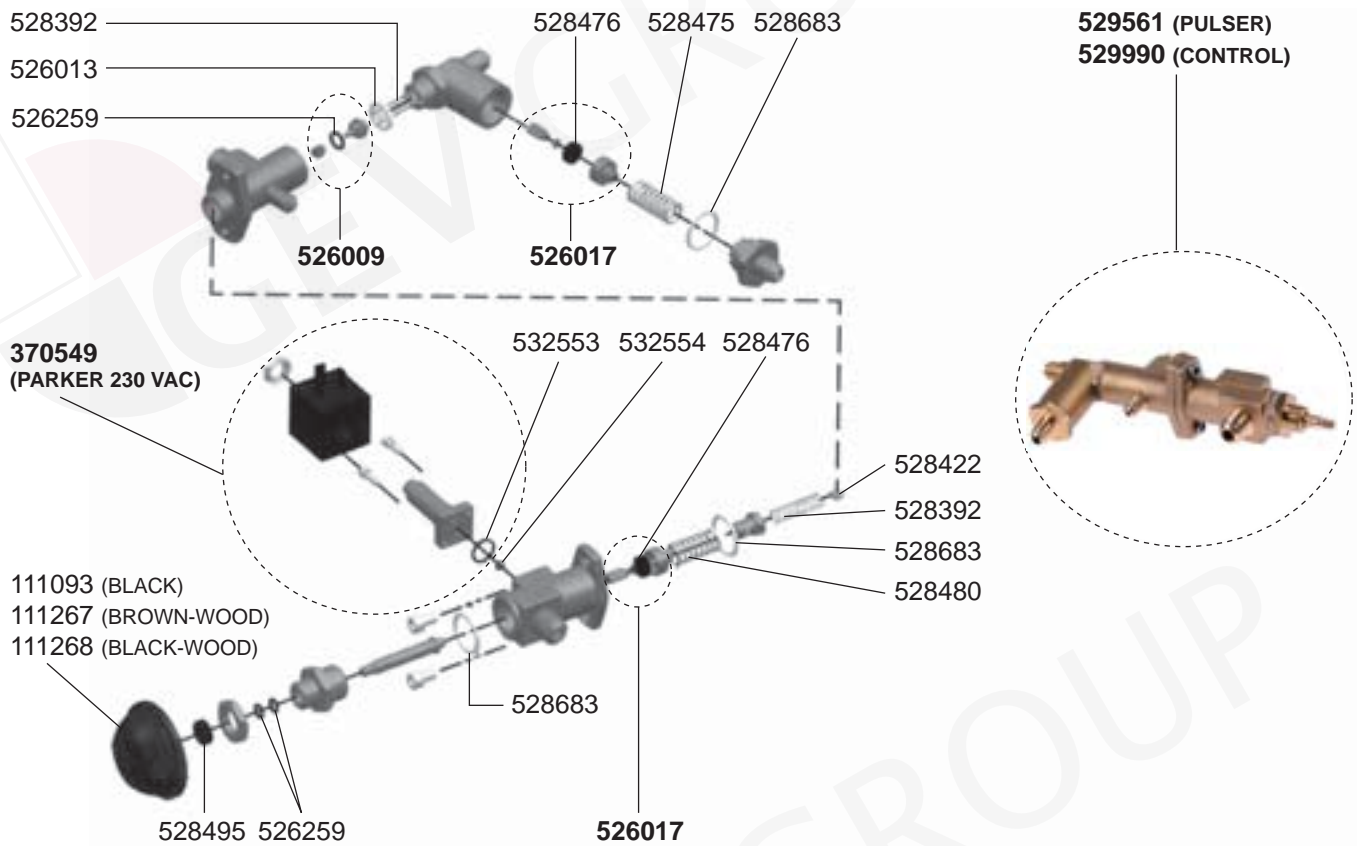
## STEAM/WATER TAPS DIAMANT



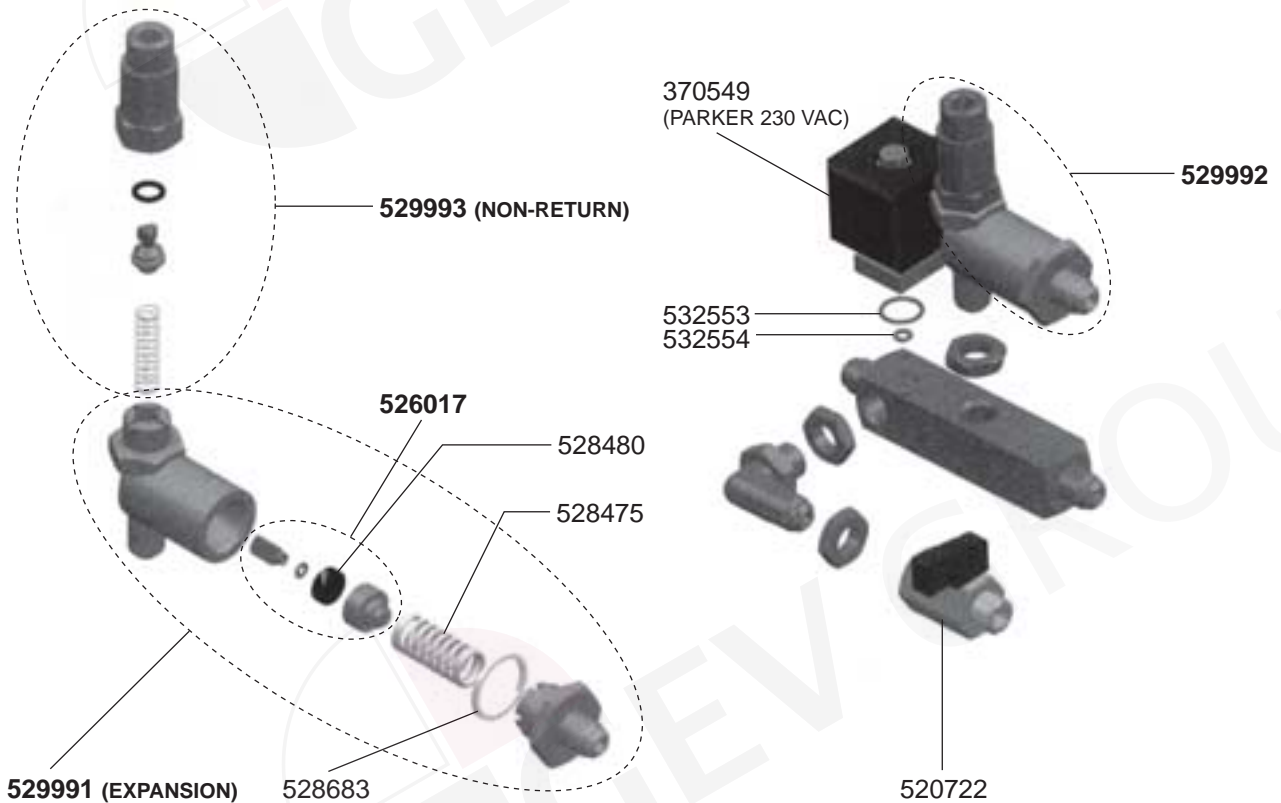
## STEAM/WATER TAPS OFFICE/OFFICE LEVA



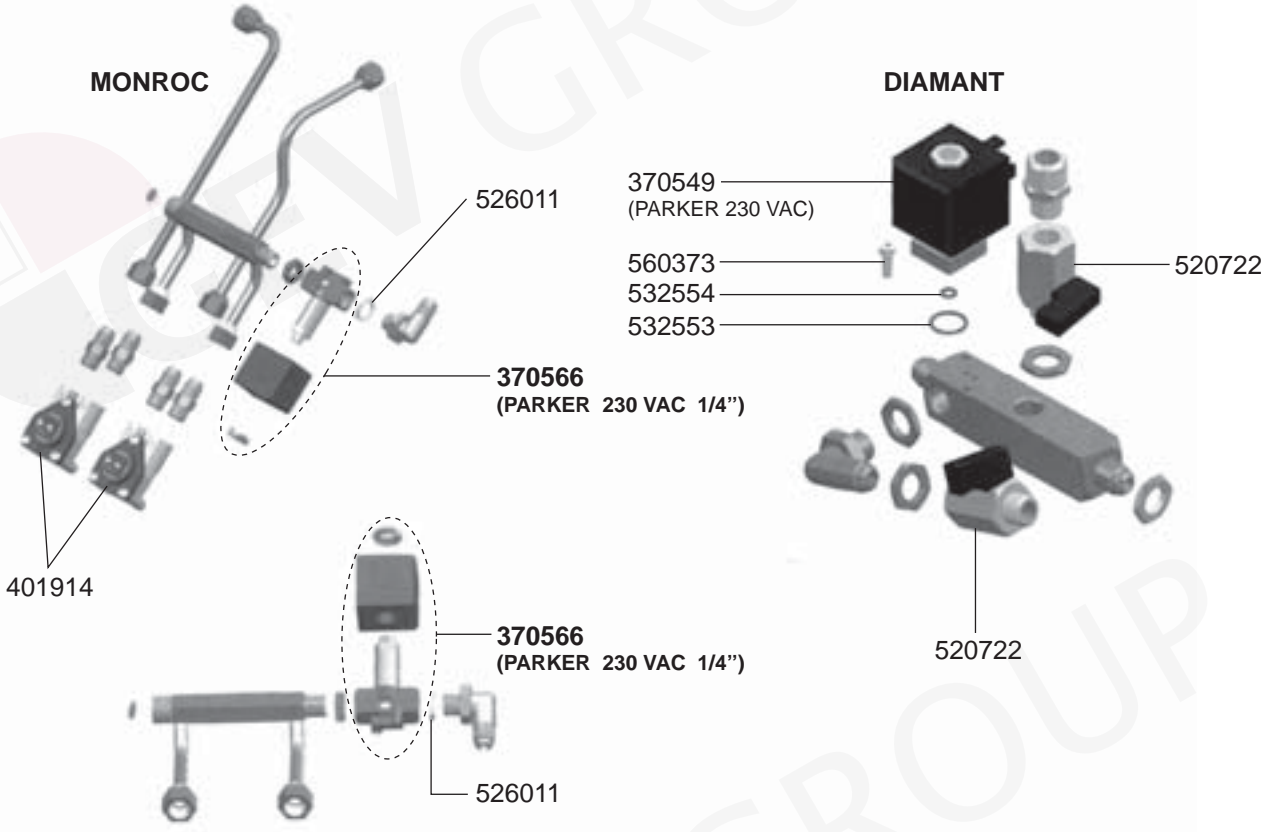
## VALVES ELEGANCE/MARKUS



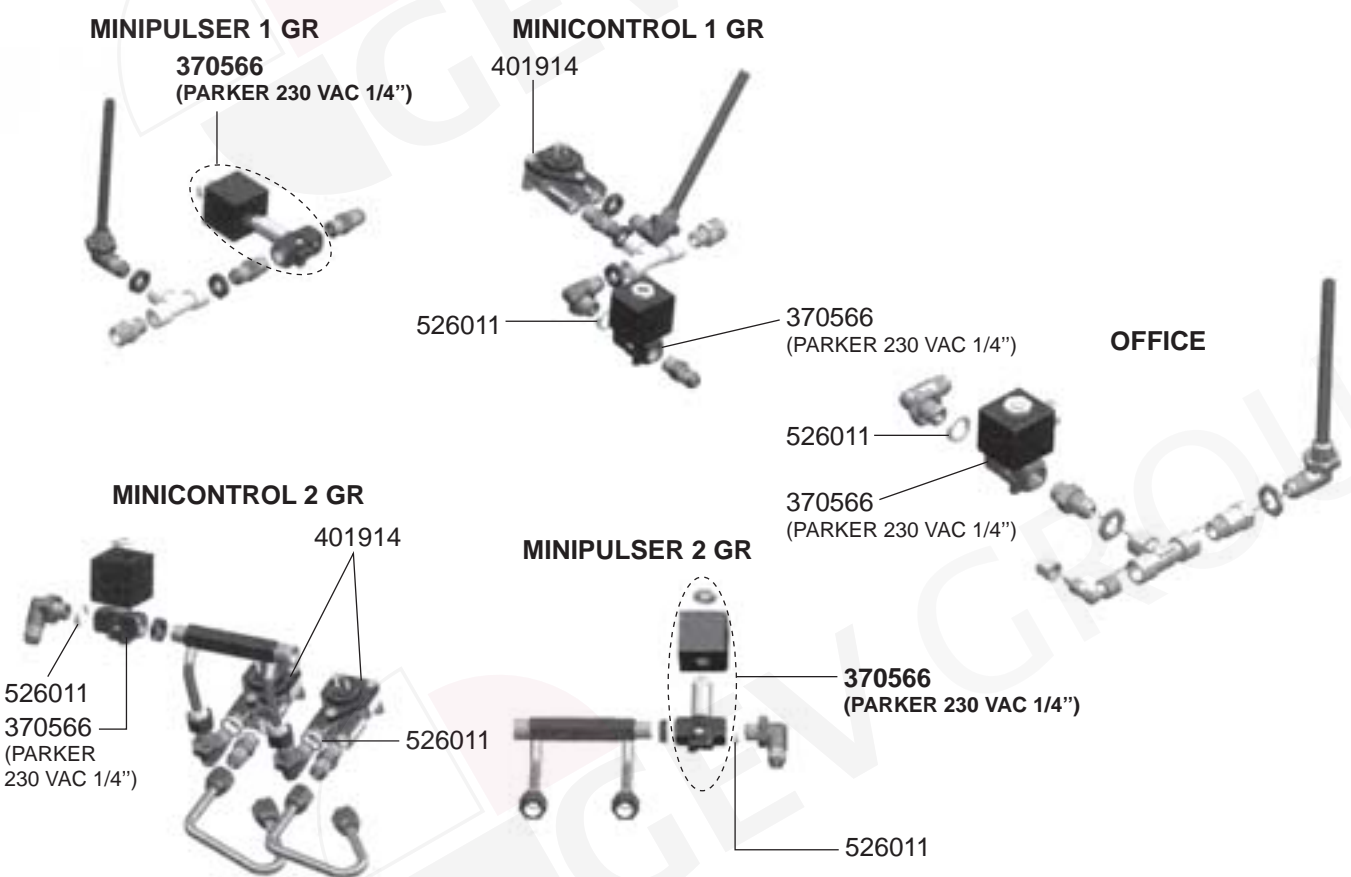
## VALVES ELEGANCE/MARKUS/G10/MEGACREM/ELEN



## VALVES MONROC/DIAMANT

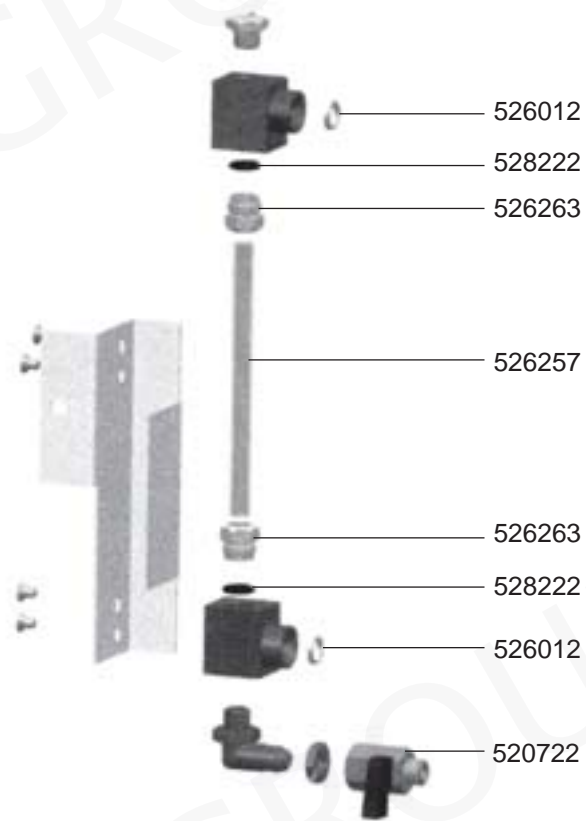


## VALVES ELEGANCE MINI/MARKUS MINI/OFFICE

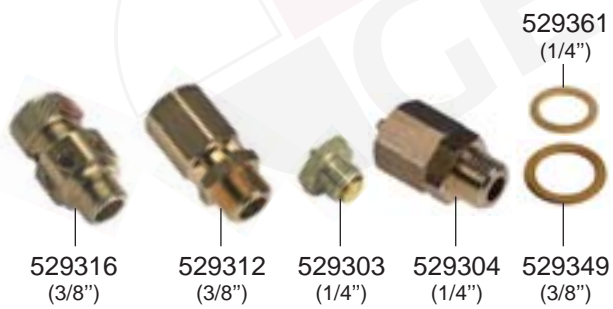


## LEVEL INDICATOR

529983



## BOILER/MANOMETERS/DRIP TRAYS VARIOUS



- 417030 (1 GR, 1800 W, 230 VAC)
- 417075 (2 GR, 2500 W, 230 VAC)
- 417031 (2 GR, 3050 W, 230 VAC)
- 417267 (2 GR, 4500 W, 230 VAC)
- 417287 (3/4 GR, 4000 W, 230 VAC)
- 417213 (3/4 GR, 5000 W, 230VAC)
- 417268 (3/4 GR, 6000 W, 230 VAC)



## MARKUS/ELEGANCE/MEGACREM





























# EXPOBAR-CREM – ESPRESSO MACHINES

1  
ESPRESSO MACHINES

## ELECTRICAL COMPONENTS ELEGANCE/MARKUS

 529932 (GICAR REF. 9.5.28.66G00)	 529934 (GICAR REF. 9.5.28.68G00)	 529963 (BRONZE)	 529964 (RED)	 529965 (CARBON)	 400652 (GICAR REF. 9.5.28.28G00)
 400655 (GICAR REF. 9.5.28.30G00NEW)	 529947 (WOOD) (GICAR REF. 9.5.28.28G00)	 529931 (WOOD) (GICAR REF. 9.5.28.30G00NEW)	 400653 (GICAR REF. 9.5.27.60)	 529944 (BLACK)	 529943 (WOOD)
 529945 (BLACK)	 400657	 402705 (MARKUS) (BLACK)	 402706 (MARKUS) (WOOD)	 529962 (MARKUS) (BLUE)	 529961 (MARKUS) (WOOD)
 529951 (LUX/GICAR REF. 9.5.25.50G01)	 529950 (XLC/GICAR REF. 9.5.32.01G01)	 529954	 529968 (GIEMME REF. 01.00.0029)	 402222	 402223

## ELECTRICAL COMPONENTS ELEGANCE/MARKUS/MONROC

### ELEGANCE/MARKUS

 347254 (0-1 2 GR)	 346104 (0-1 3 GR)	 347198 (4 POLES)	 359471 (RED)	 301001 (RED)	 346377 (BLACK)
 379452		 541684 <b>MONROC</b>			
 529937 (GICAR REF. 9.9.07.28G)	 301001 (RED)	 346377 (BLACK)	 529950 (GICAR REF. 9.5.32.01G01)	 529968 (GIEMME REF. 01.00.0029)	 359471 (RED)
 402222	 541684				

## ELECTRICAL COMPONENTS MEGACREM



## ELECTRICAL COMPONENTS G10/ELEN



## ELECTRICAL COMPONENTS ELEN/DIAMANT

### ELEN



### DIAMANT



## ELECTRICAL COMPONENTS DIAMANT/OFFICE LEVA/OFFICE

### DIAMANT



### OFFICE LEVA



### OFFICE



## ELECTRICAL COMPONENTS VARIOUS



400004



400256



400257



400258



541021  
(SIRAI, 30 AMP,  
3 POLES)



541724  
(SIRAI, 20 AMP,  
3 POLES)



541723  
(SIRAI, 20 AMP,  
2 POLES)



541453  
(PARKER)



370057  
(PARKER 230 VAC)  
370053  
(LUCIFER 230 VAC)



370062  
(PARKER)  
370061  
(LUCIFER)



370206  
(PARKER 230 VAC 1/8")  
370072  
(LUCIFER 230 VAC 1/8")



371029  
(PARKER 230 VAC)  
371031  
(LUCIFER 230 VAC)



371091



371090



371095  
(VITON)



371100  
(SILICONE)