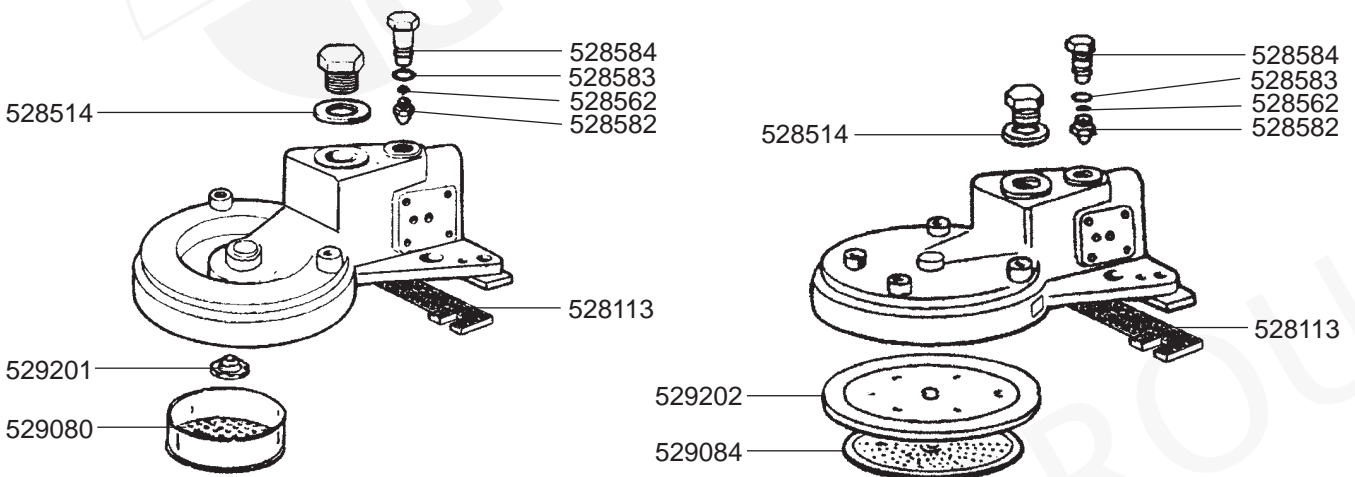
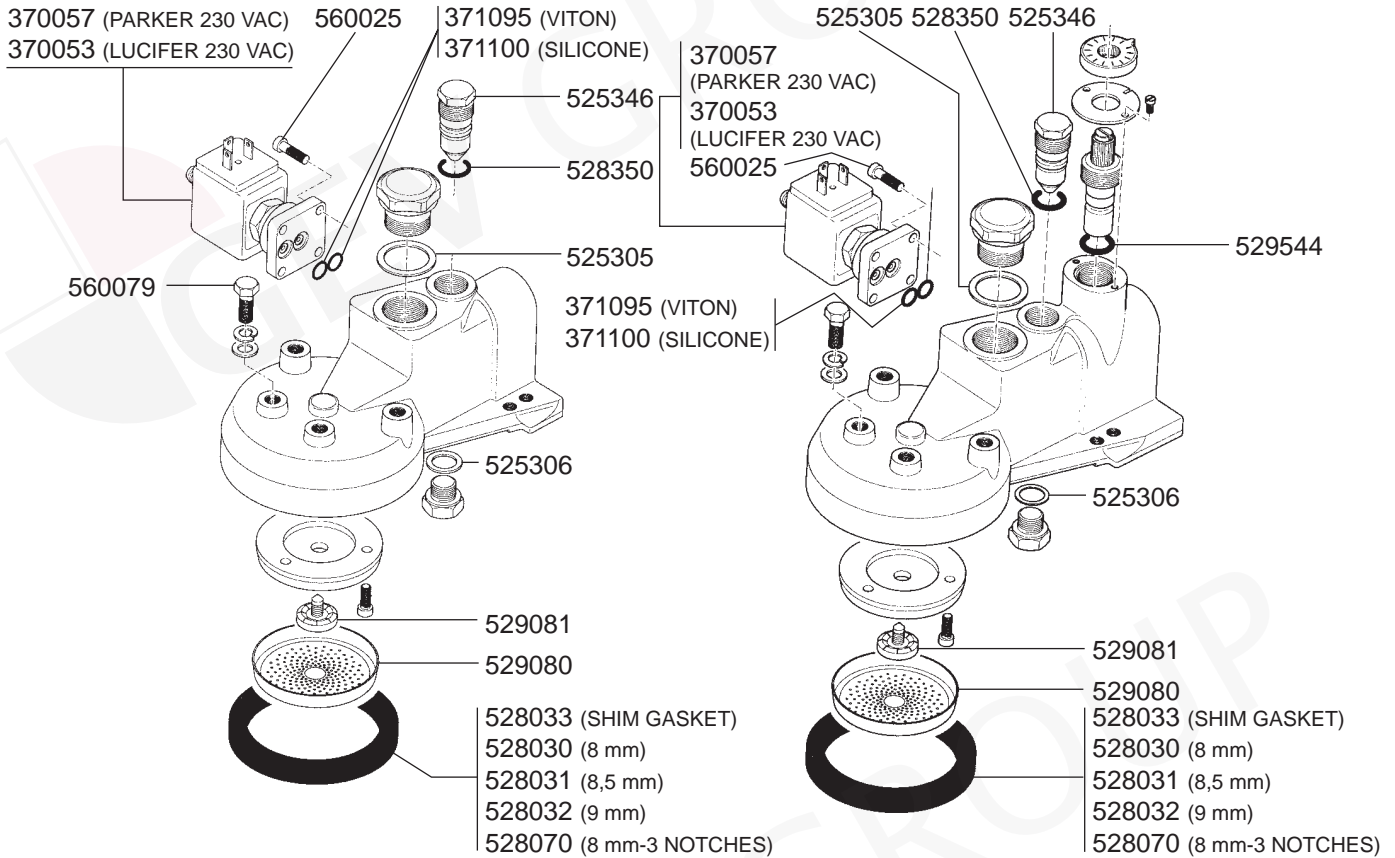
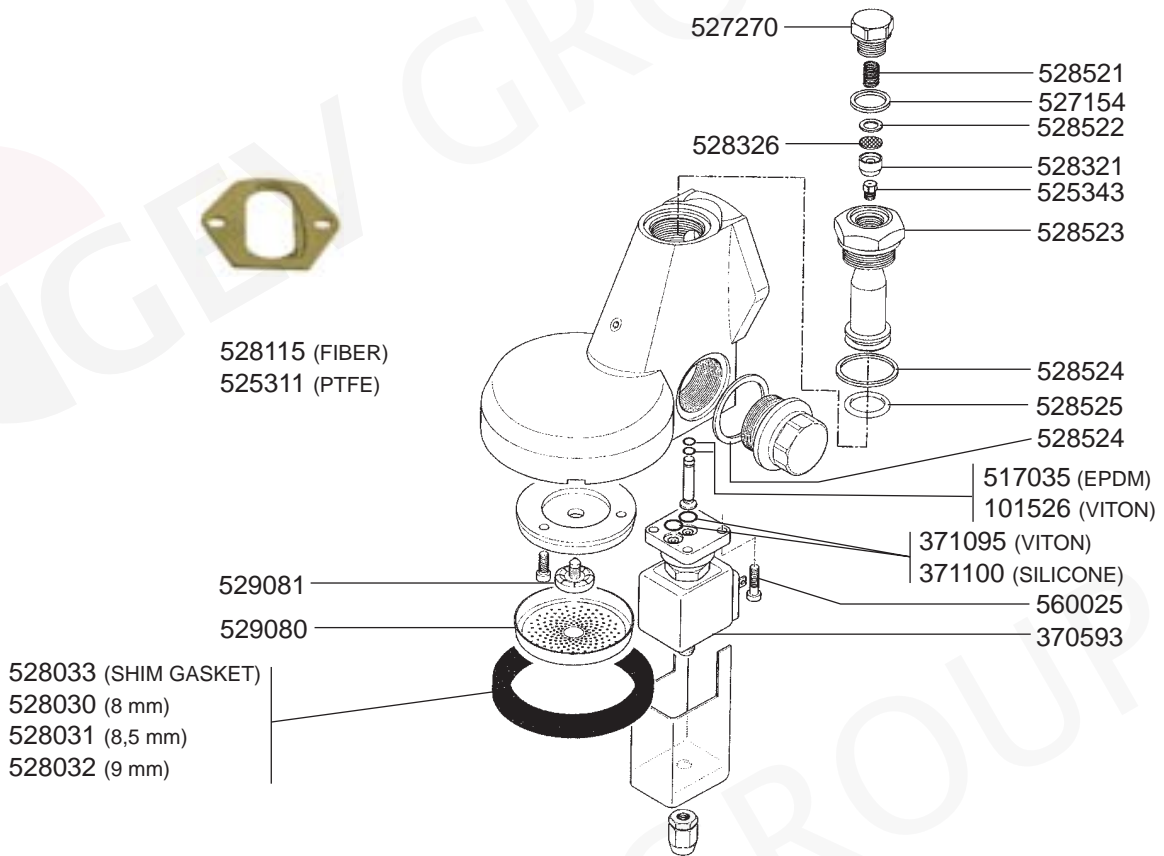


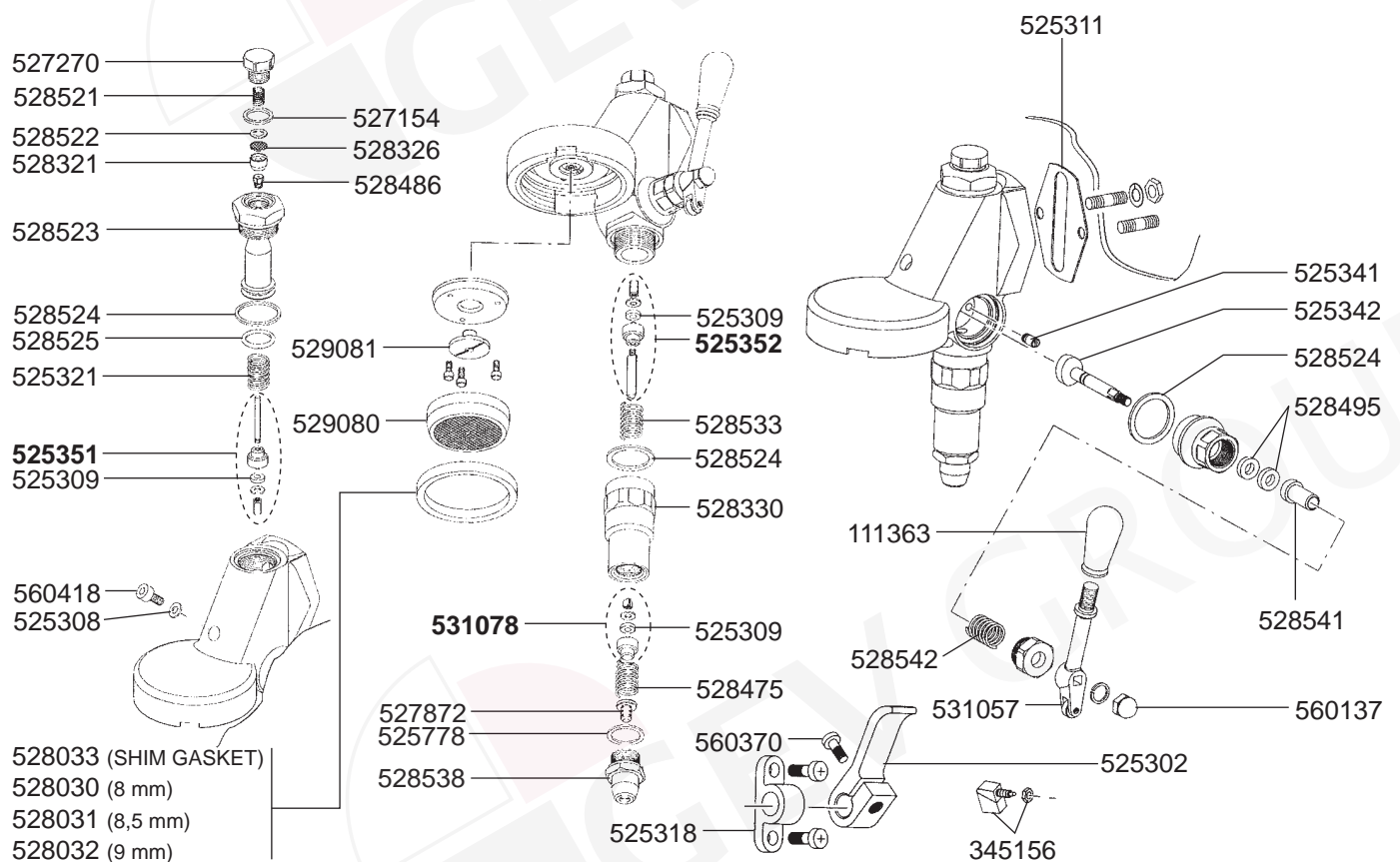
SOLENOID GROUPS



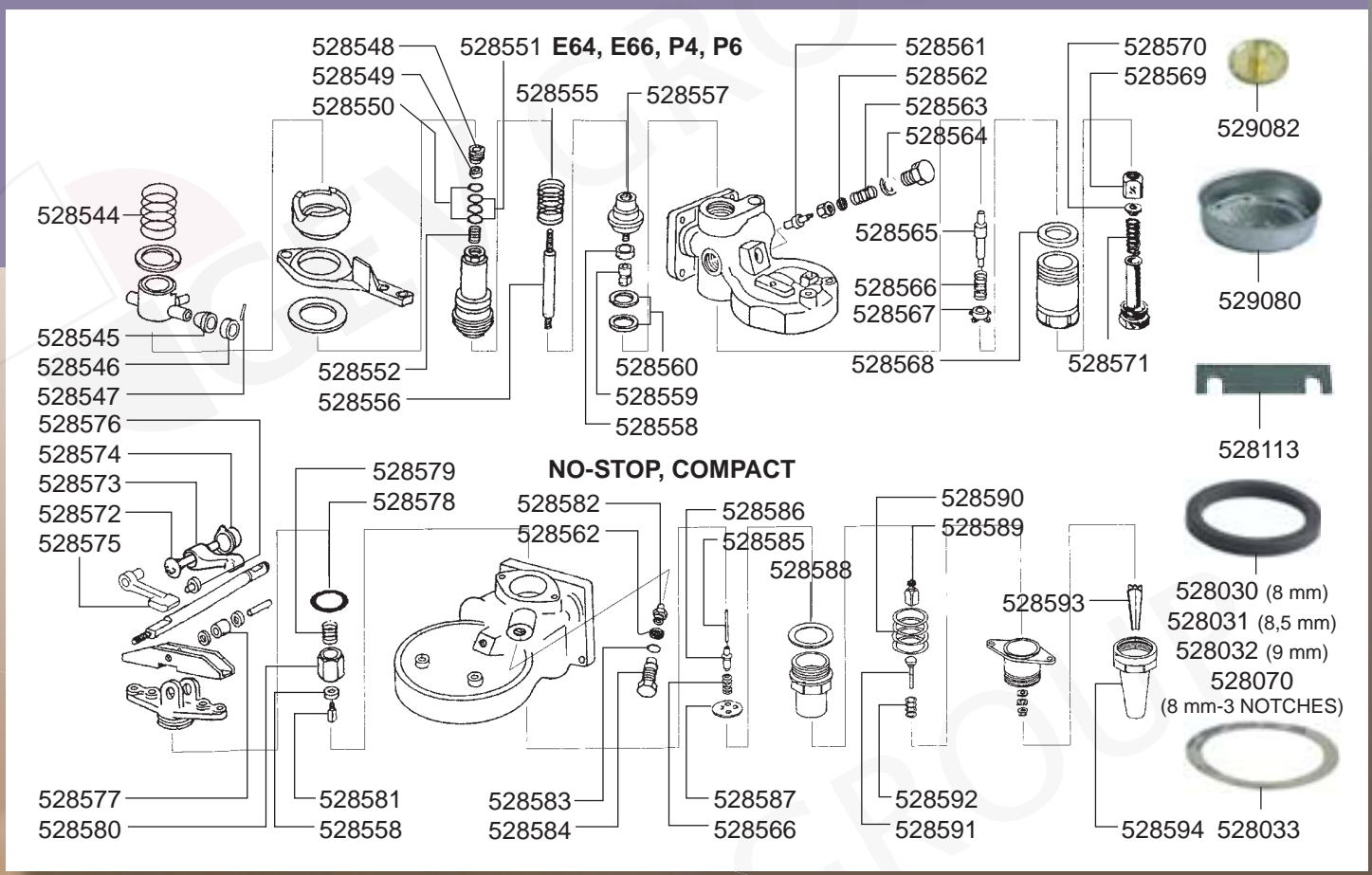
SOLENOID GROUPS



MANUAL GROUP



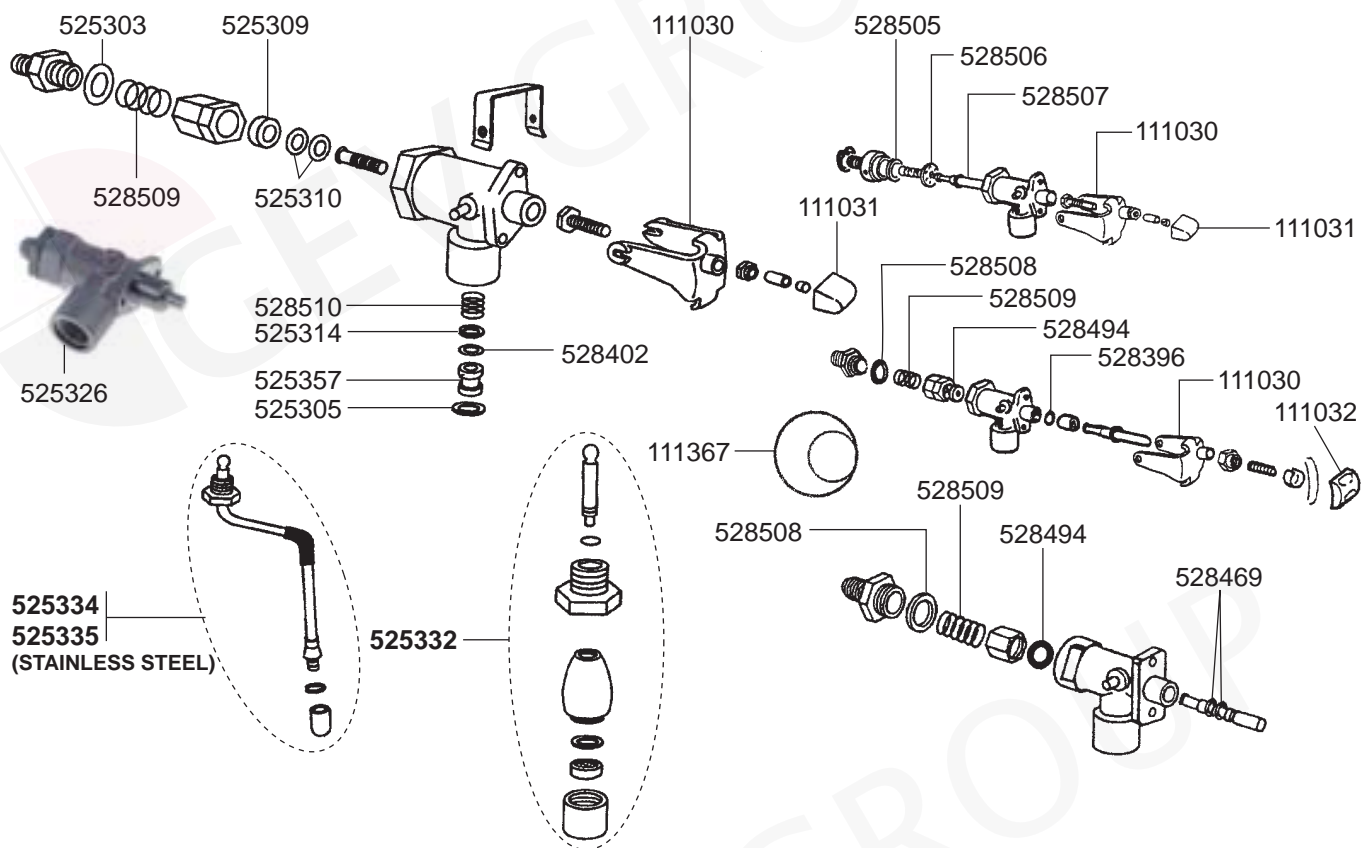
MANUAL GROUP



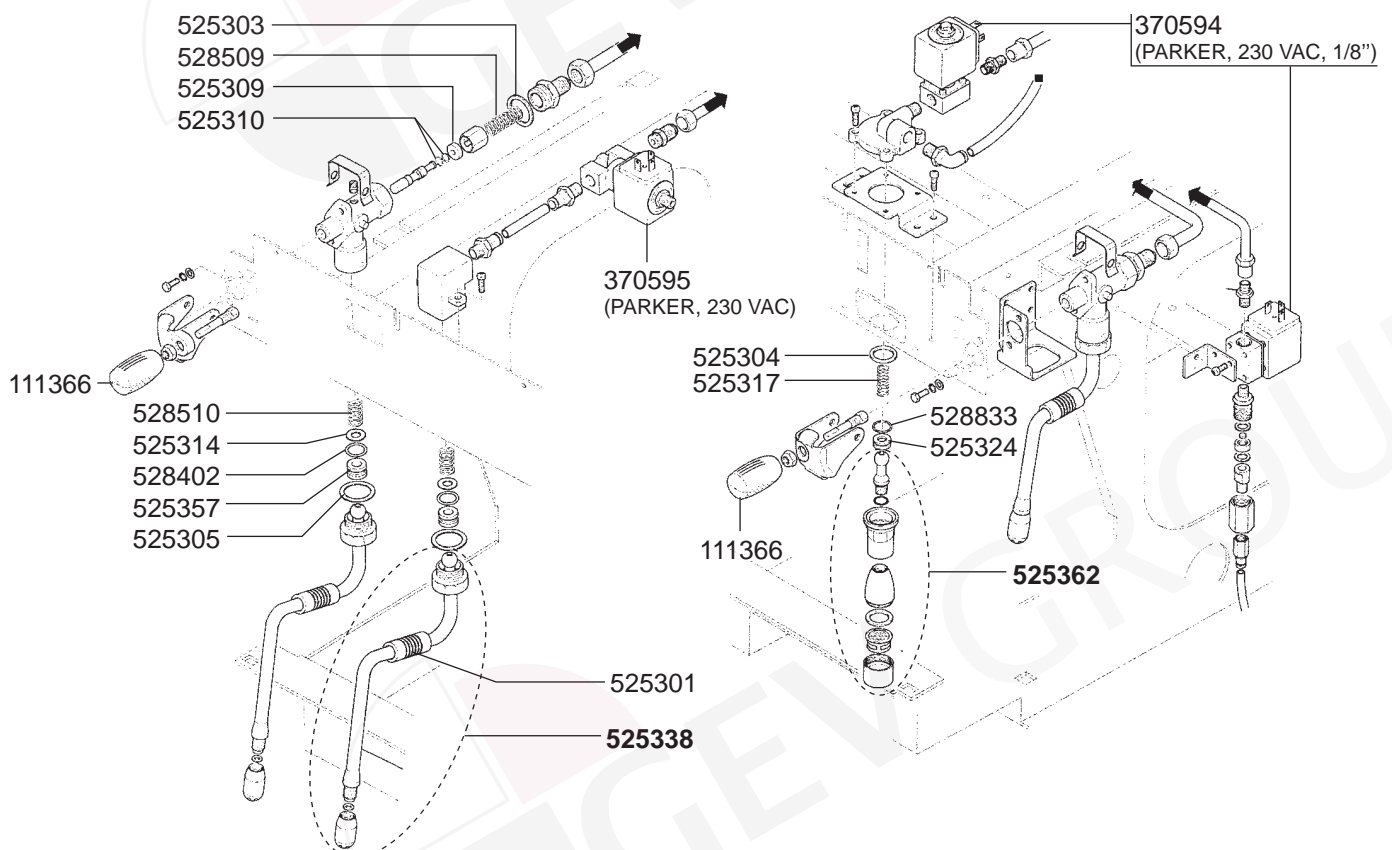
FILTER HOLDERS



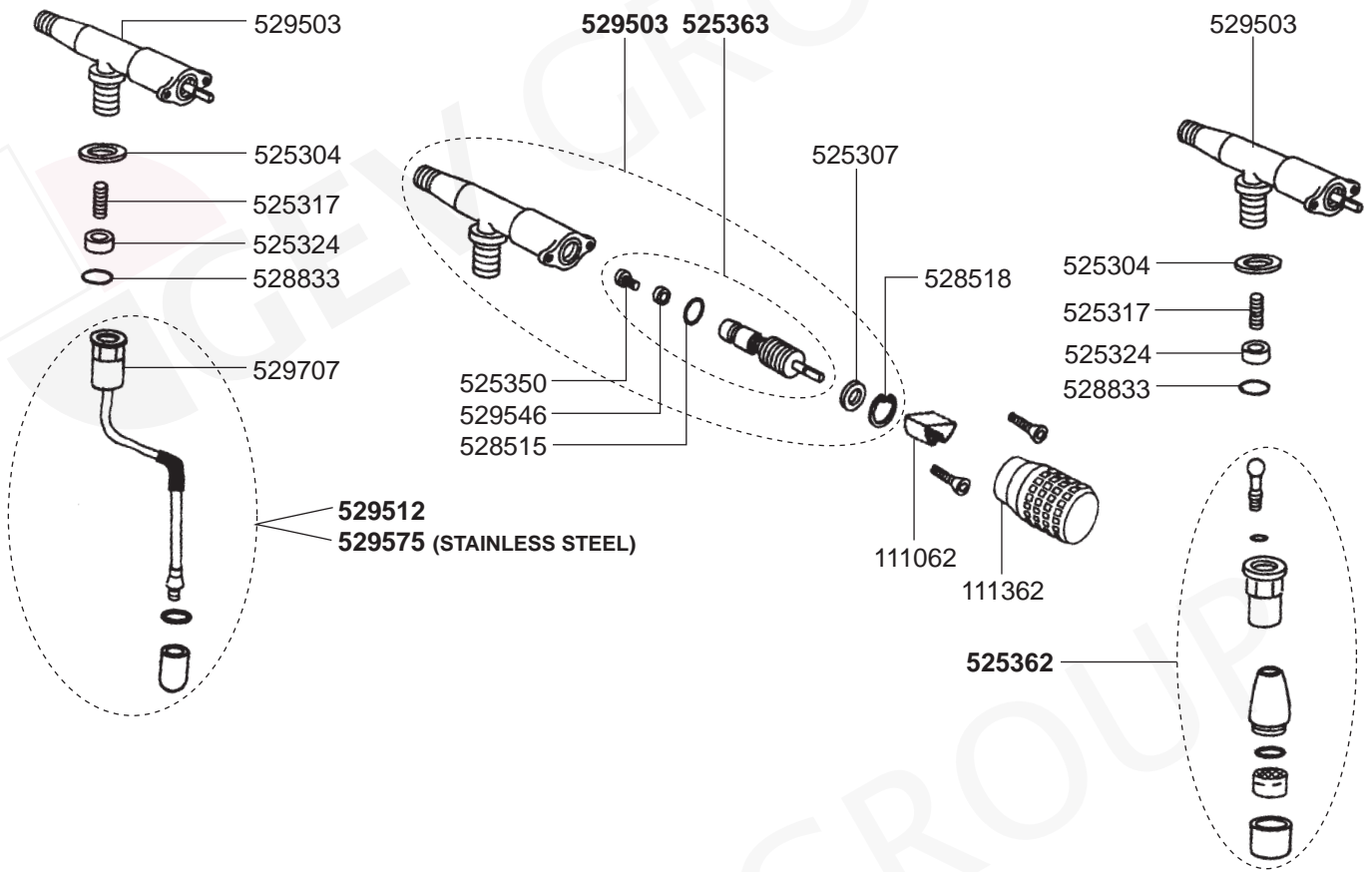
STEAM/WATER TAPS E91/DUE/DIPLOMAT



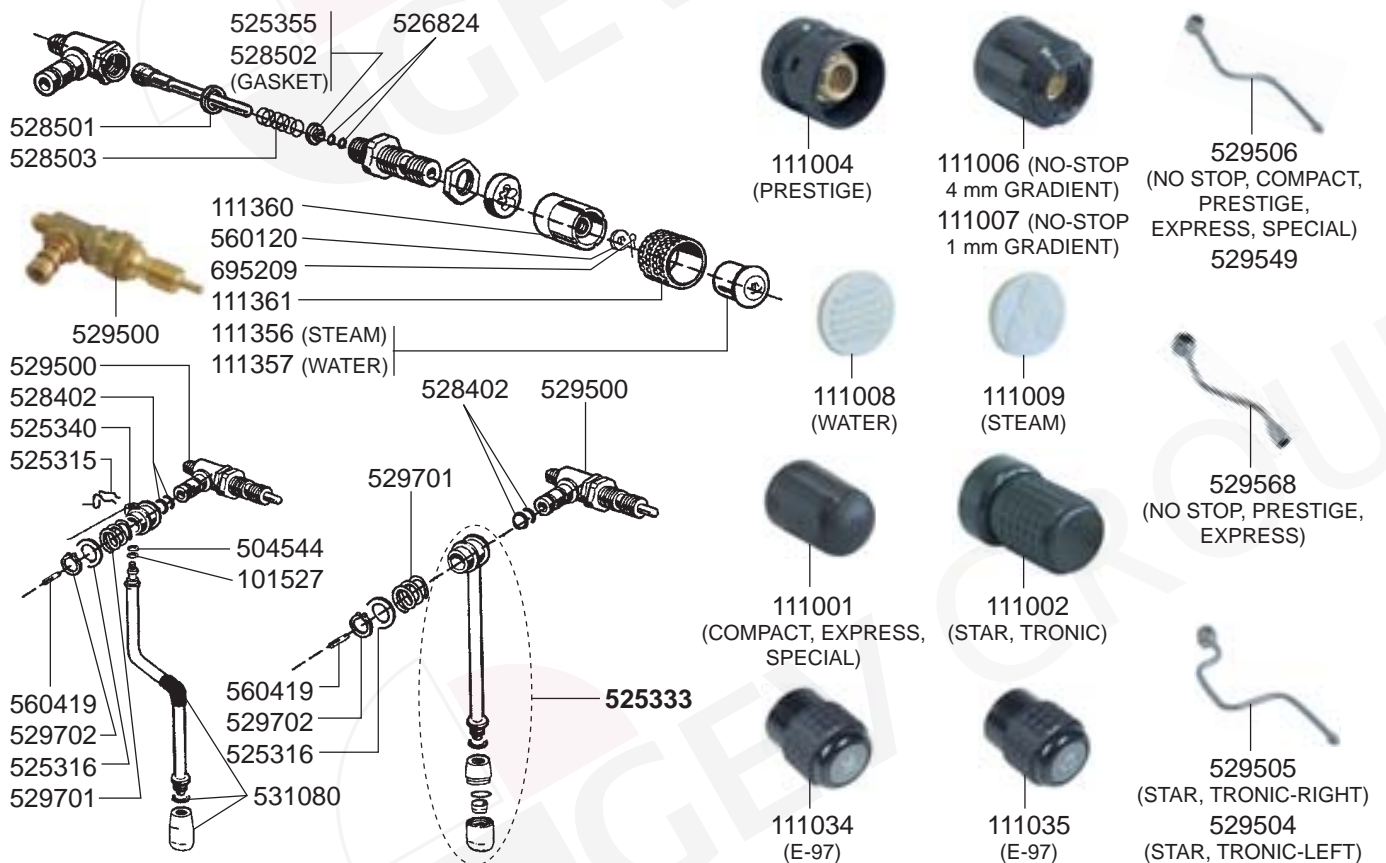
STEAM/WATER TAPS E92 ELITE A/S - E92 RESTYLING A/S



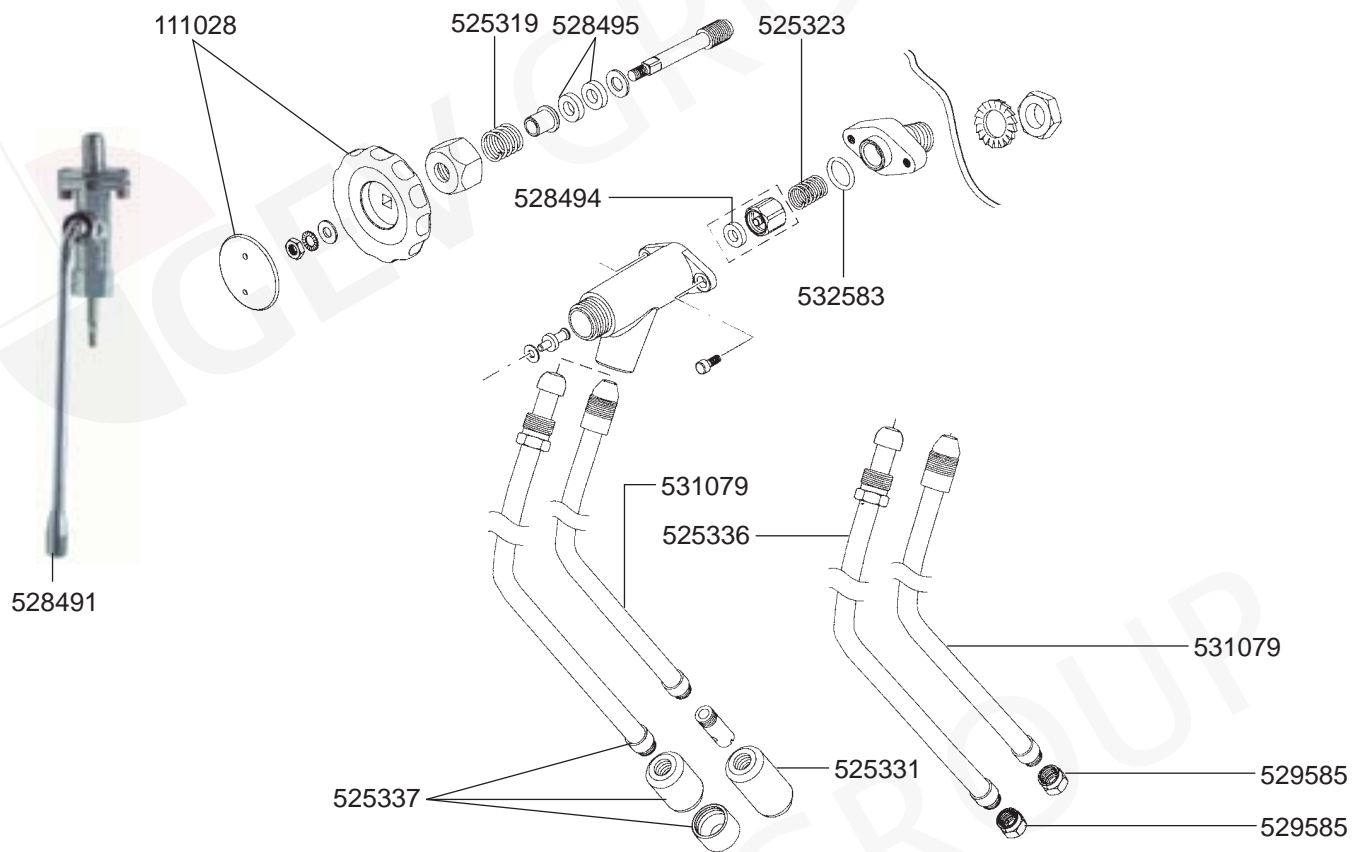
STEAM/WATER TAPS E98 PRESIDENT A/S



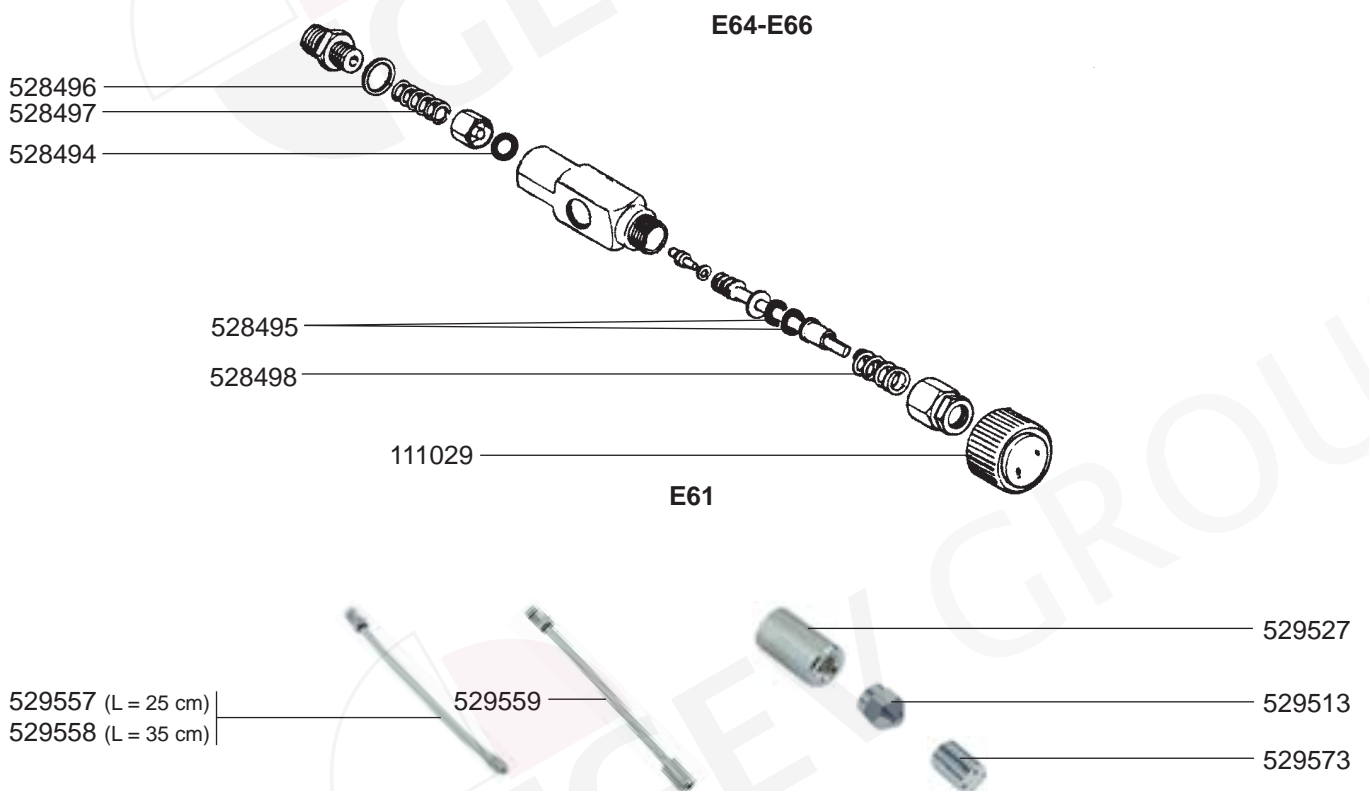
STEAM/WATER TAPS E98 A/S - NO STOP - COMPACT - PRESTIGE - EXPRESS - SPECIAL



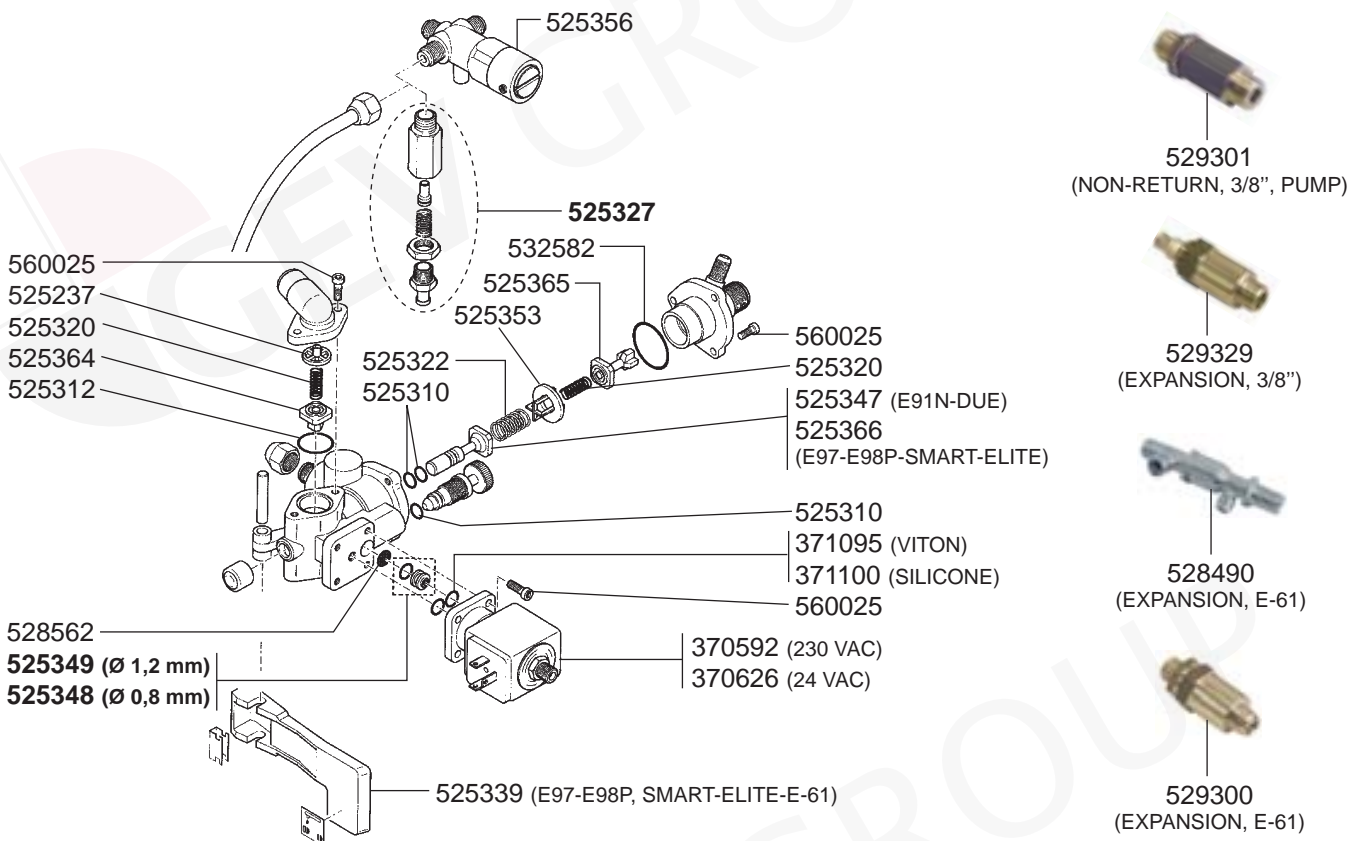
STEAM/WATER TAPS E61



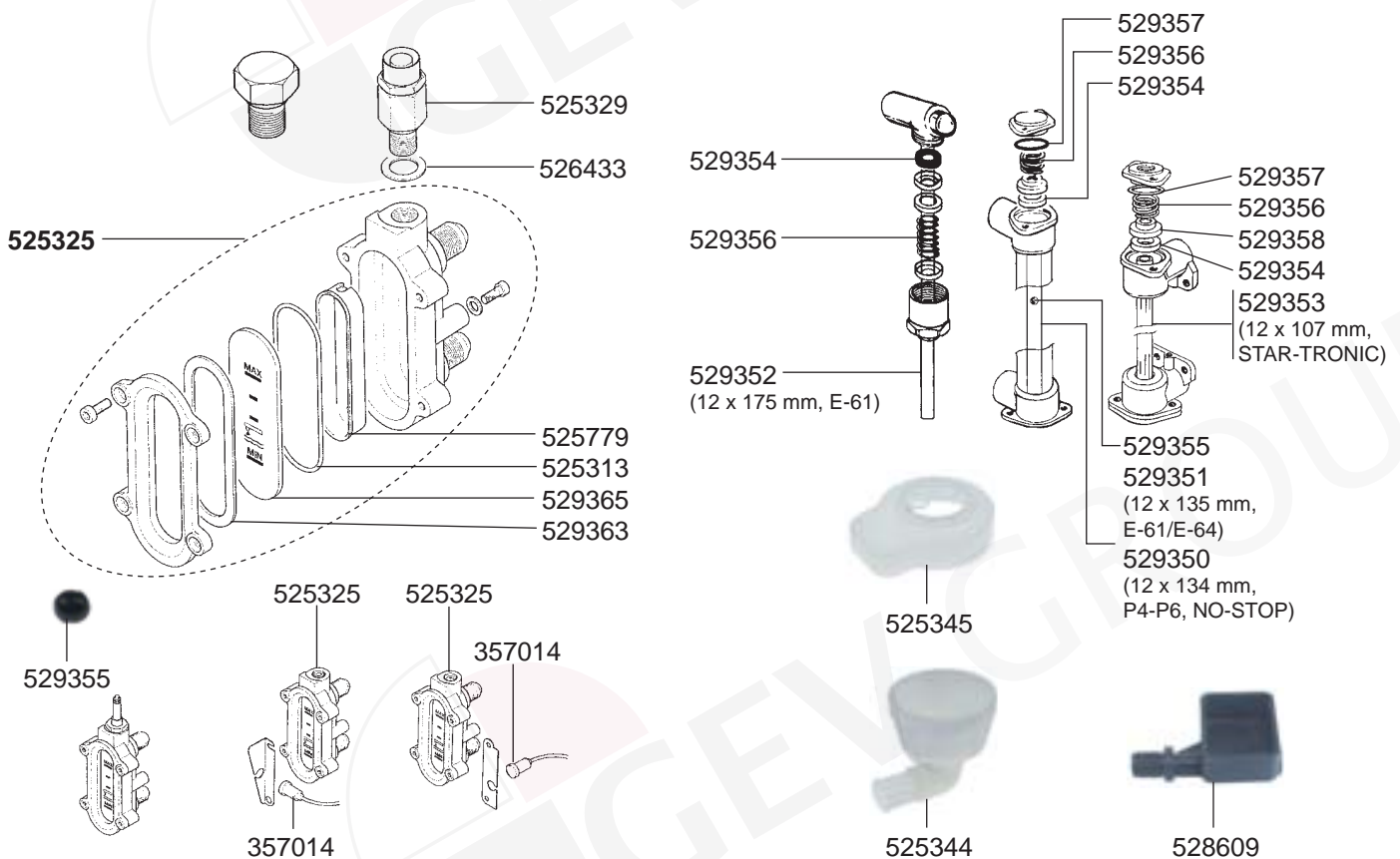
STEAM/WATER TAPS E64-E66-E61



VALVES



LEVEL INDICATOR/DRIP TRAYS



MANOMETERS



541200
(0-3 BAR, E-61)



541201
(0-16 BAR, E-61)



541202
(E-64, E-66)



541203
(NO-STOP, P4, P6, DUE,
SPECIAL, EXPRESS, STAR,
SMART, E-98P, E-97)



541207
(0-15 BAR,
SUPERTRONIC)



541205
(0-2,5 BAR, E-91, E-92)



541206
(0-16 BAR, E-91, E-92)

BOILER VARIOUS



417002 (1 GR-230 VAC-1500 W)
417003 (1 GR-230 VAC-1800 W)



417202 (2 GR-230/400 VAC-3750 W)
417112 (2-3 GR-230/400 VAC-4500 W)



417107 (1 GR-230 VAC-2600 W)
417001 (2 GR-230 VAC-2600 W)
417108 (2 GR-230 VAC-3500 W)
417109 (3 GR-230 VAC-3700 W)
417110 (3 GR-230 VAC-5000 W)



528022 (PTFE)



417083
(1 GR-230 VAC-1500 W COMPACT-A)



390166



528488 (FIBER)



417004
(1-2 GR-230 VAC-2400 W COMPACT)



417103 (2 GR-230 VAC-2600 W)
417104 (2 GR-230 VAC-3700 W)
417106 (3 GR-230 VAC-5000 W)



528488 (FIBER)



528022 (PTFE)



525652



390154



550006



550350



550351

FAEMA – ESPRESSO MACHINES

1
ESPRESSO MACHINES

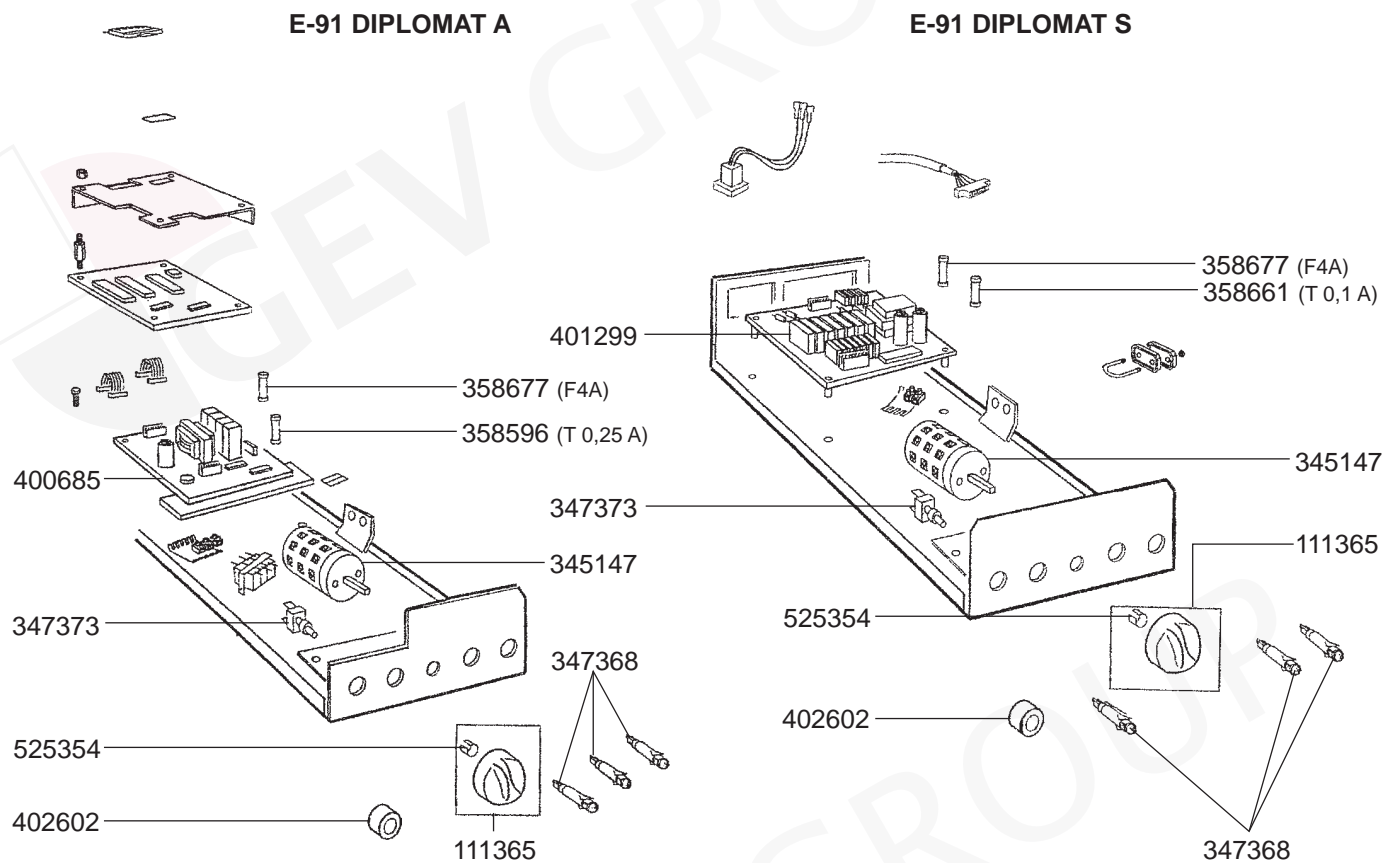
BOILER VARIOUS

417113 (1000 W, 230 VAC, FAMILY)
417114 (1000 W, 230 VAC, AMICA)
417115 (850 W, 230 VAC, CIAO)
528849 (HEATING ELEMENT)
528232 (POT GASKET)
528100 (NO-STOP, PRESTIGE)
528103 (16 HOLES, E-61, ARIETE)
528104 (16 HOLES, E-61, ARIETE)
528108 (12 HOLES, E-61, ARIETE)
528107 (12 HOLES, E-61, ARIETE)
528109 (12 HOLES, E-61, ARIETE)
528111 (12 HOLES, E-61, ARIETE)
528106 (16 HOLES, E-61, ARIETE)
400082 (NTC)
528847
529360 (1/2")
400083
400032 (TRIAC)
528112 (12 HOLES, E-61, ARIETE)
390152 (M-4, 107 °C, COFFEE)
390153 (M-4, 135 °C, STEAM)
390370 (M-4, 145 °C, SAFETY)
529312 (3/8")
529316 (3/8")
529303 (1/4")
529304 (1/4")
529349 (3/8")
400020 (L = 150 mm)

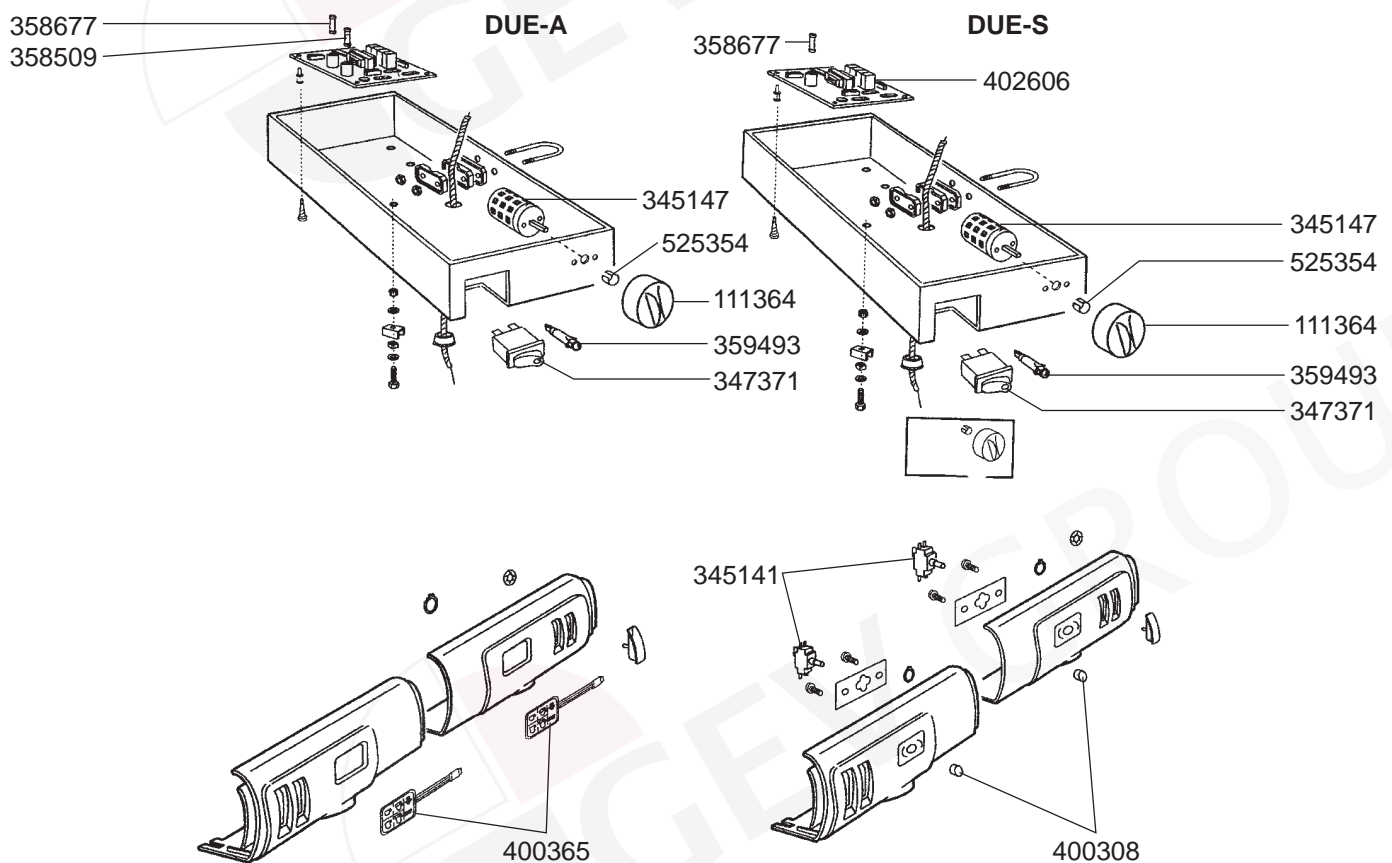
ELECTRICAL COMPONENTS E91

400570
400307
400300
400303
400582
400574
400570
400302
400575
400305
400307
400302
400301
400585 (3301-135184)
400581
400582
400304
400305
400582

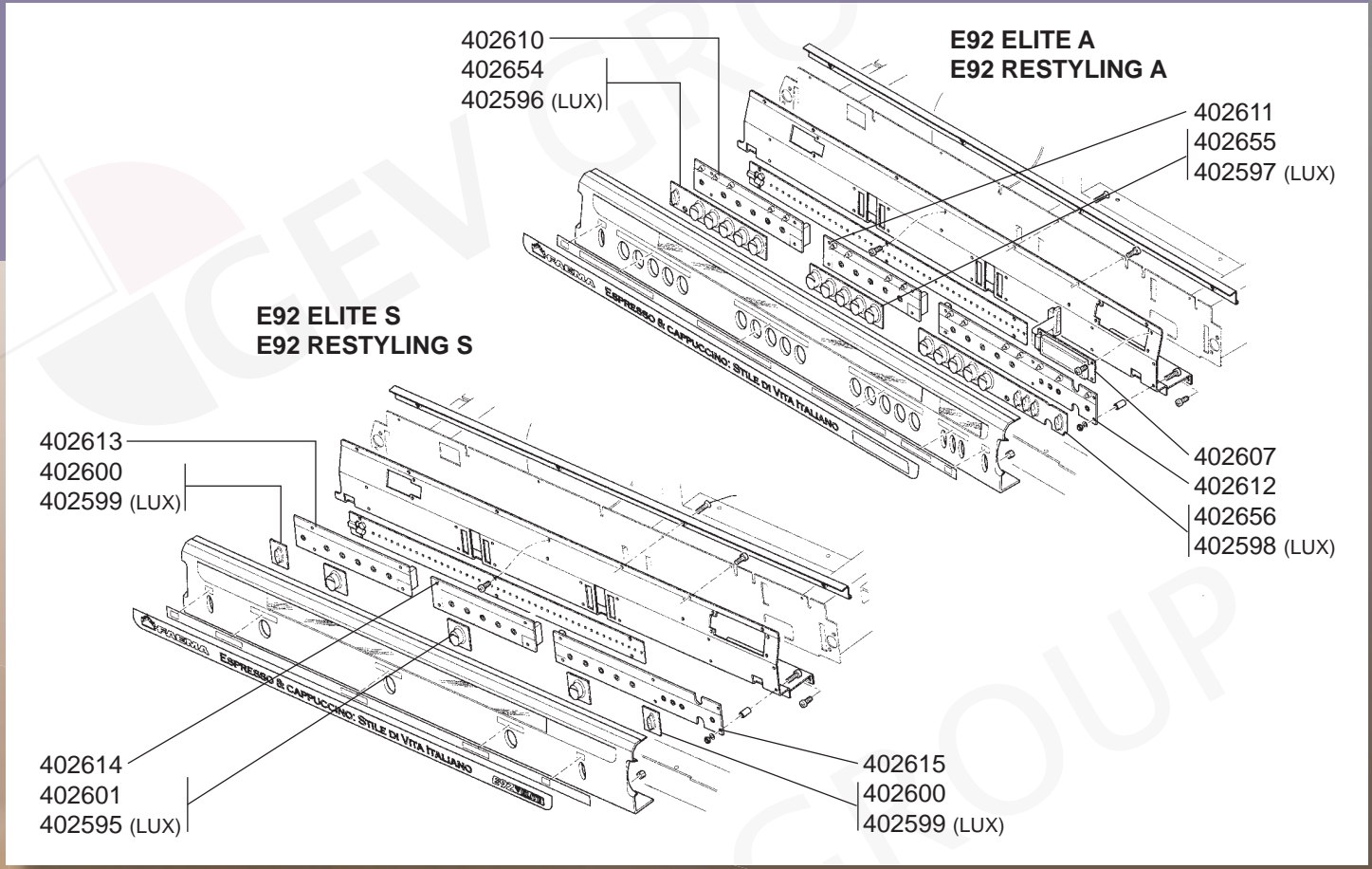
ELECTRICAL COMPONENTS E91



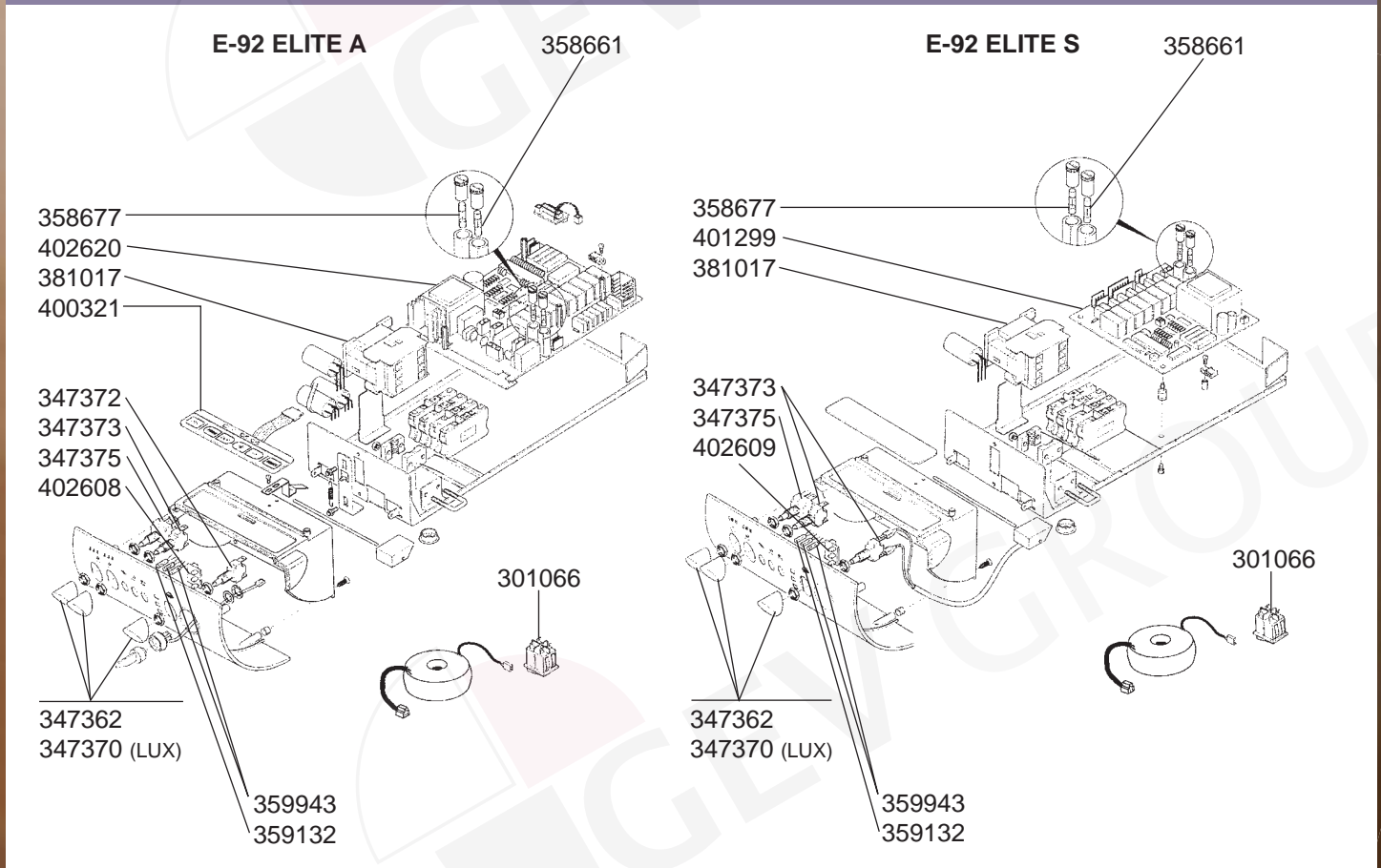
ELECTRICAL COMPONENTS DUE A/S



ELECTRICAL COMPONENTS E92

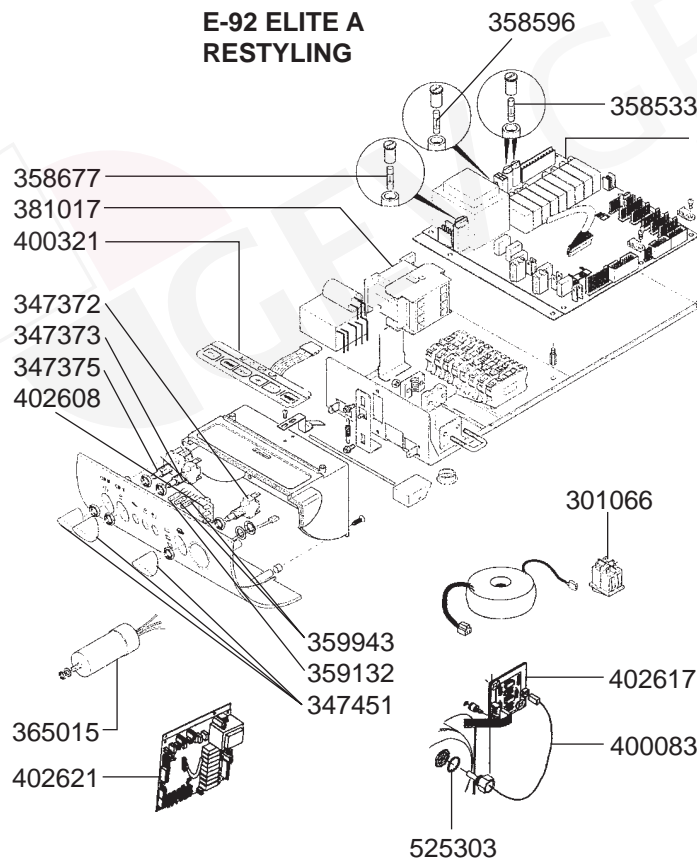


ELECTRICAL COMPONENTS E92

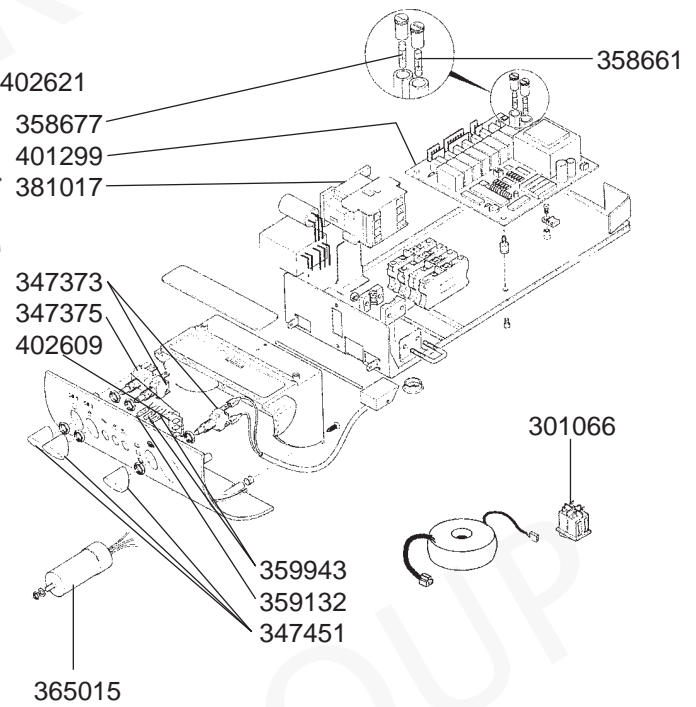


ELECTRICAL COMPONENTS E92

E-92 ELITE A RESTYLING

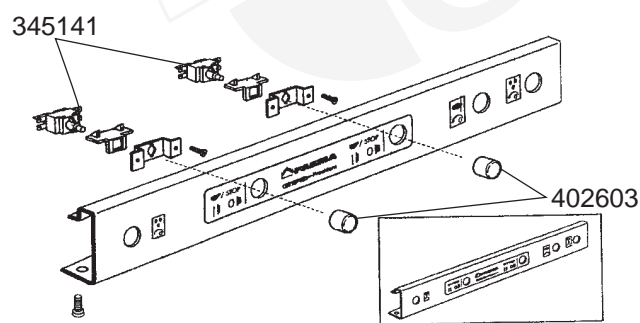


E-92 RESTYLING S

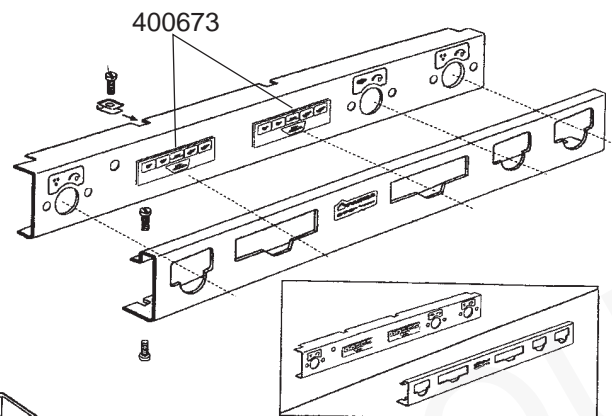


ELECTRICAL COMPONENTS E98

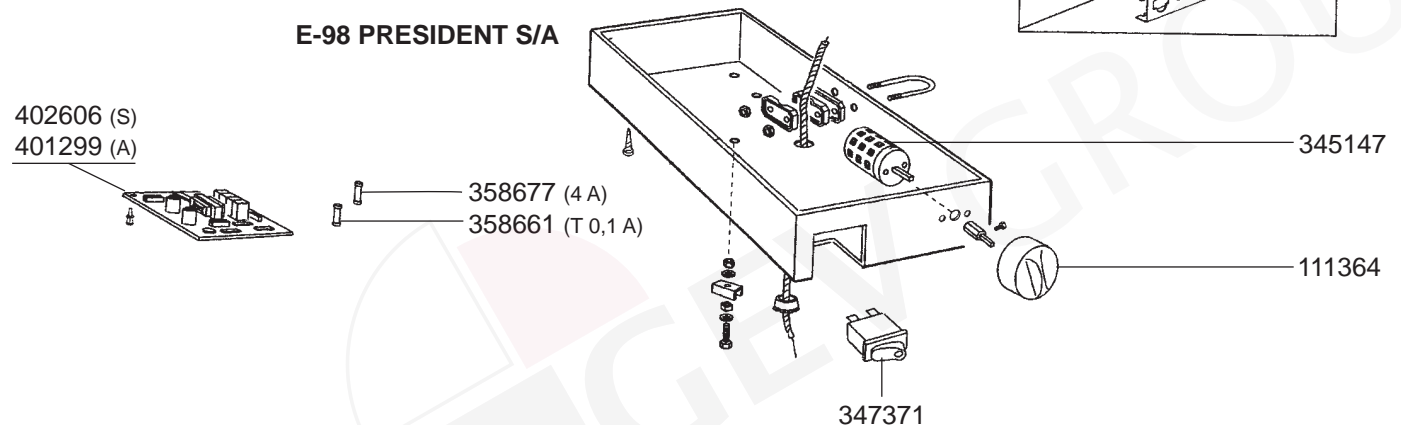
E-98 PRESIDENT S



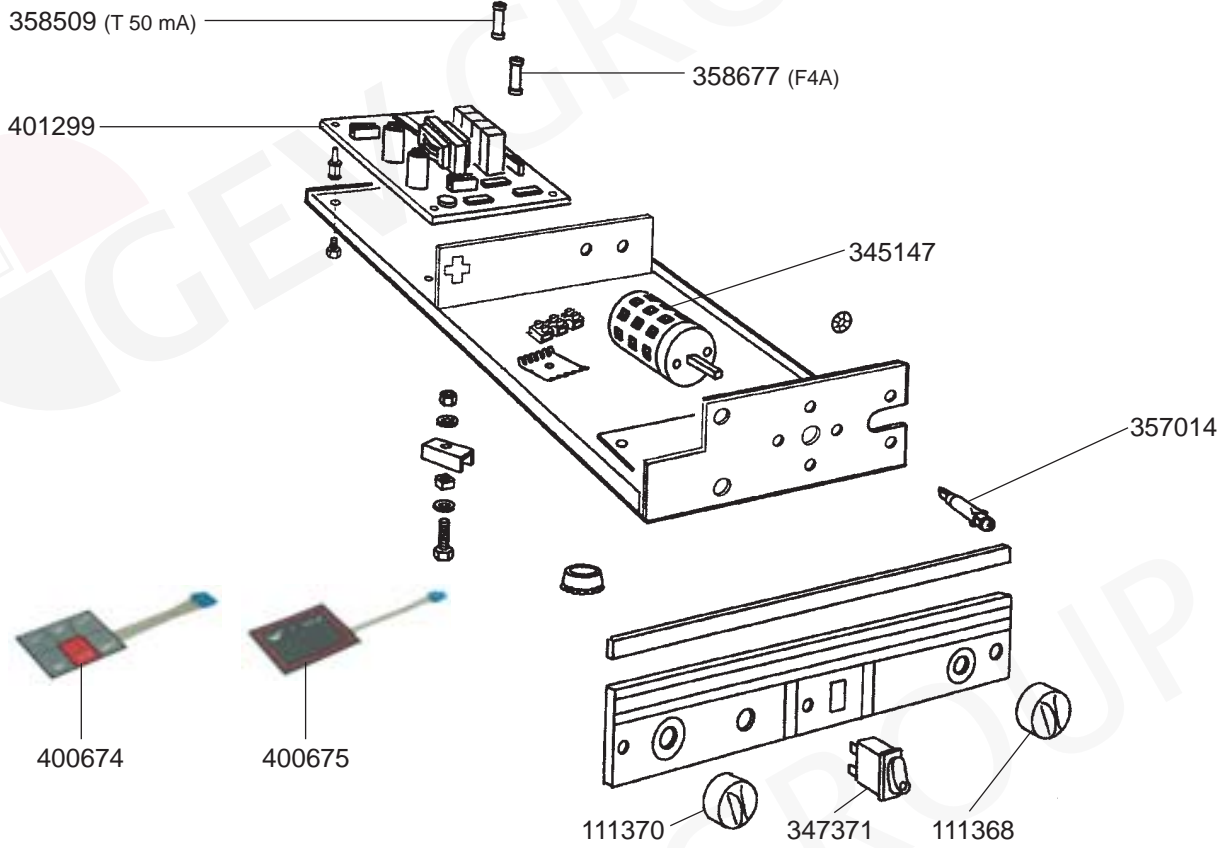
E-98 PRESIDENT A



E-98 PRESIDENT S/A



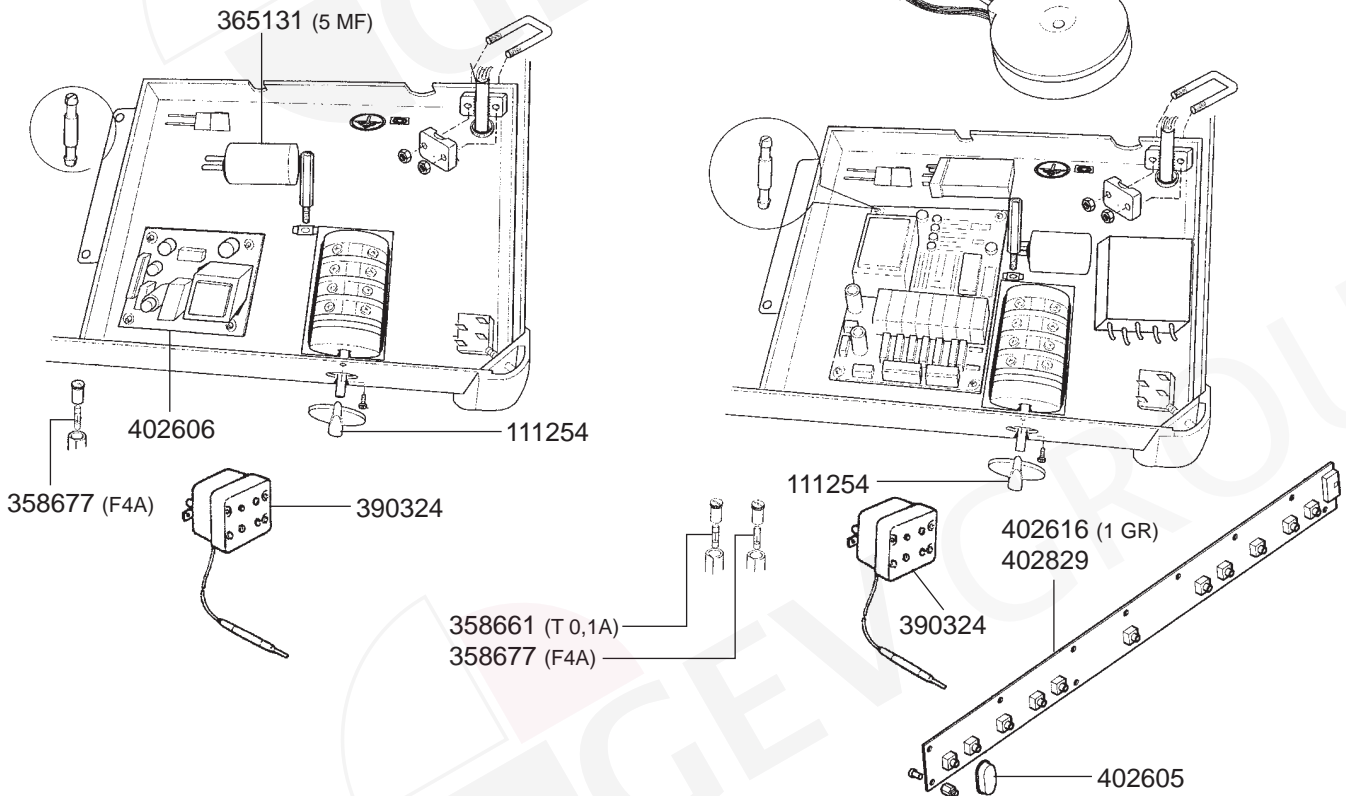
ELECTRICAL COMPONENTS E97 A/S



ELECTRICAL COMPONENTS E61

E-61 LEGEND

E-61 JUBILE



ELECTRICAL COMPONENTS VARIOUS



ELECTRICAL COMPONENTS VARIOUS



ELECTRICAL COMPONENTS VARIOUS



345145
(P4-P6)



345147
(NO-STOP, STAR-TRONIC, SPECIAL, EXPRESS, E-91, DUE)



345150
(COMPACT)



110205



345033
(SWITCH)



345142
(SWITCH)



345160
(SWITCH)



345141
(SWITCH, 2 POLES)



345130
(PUSH BUTTON, 1 POLE)



400308



346009
(CUP WARMER SWITCH)



345156
(E-61)



345269
(P4/P6)



346006
(NO-STOP)



346007
(STAR-TRONIC)



359043
(Ø 12 mm, 230 VAC, RED)



359138
(Ø 10 mm, 230 VAC, RED)



359140
(Ø 10 mm, 230 VAC, YELLOW)



359401
(Ø 8 mm, 230 VAC, RED)



400010
(RL70/1E/2C/8)

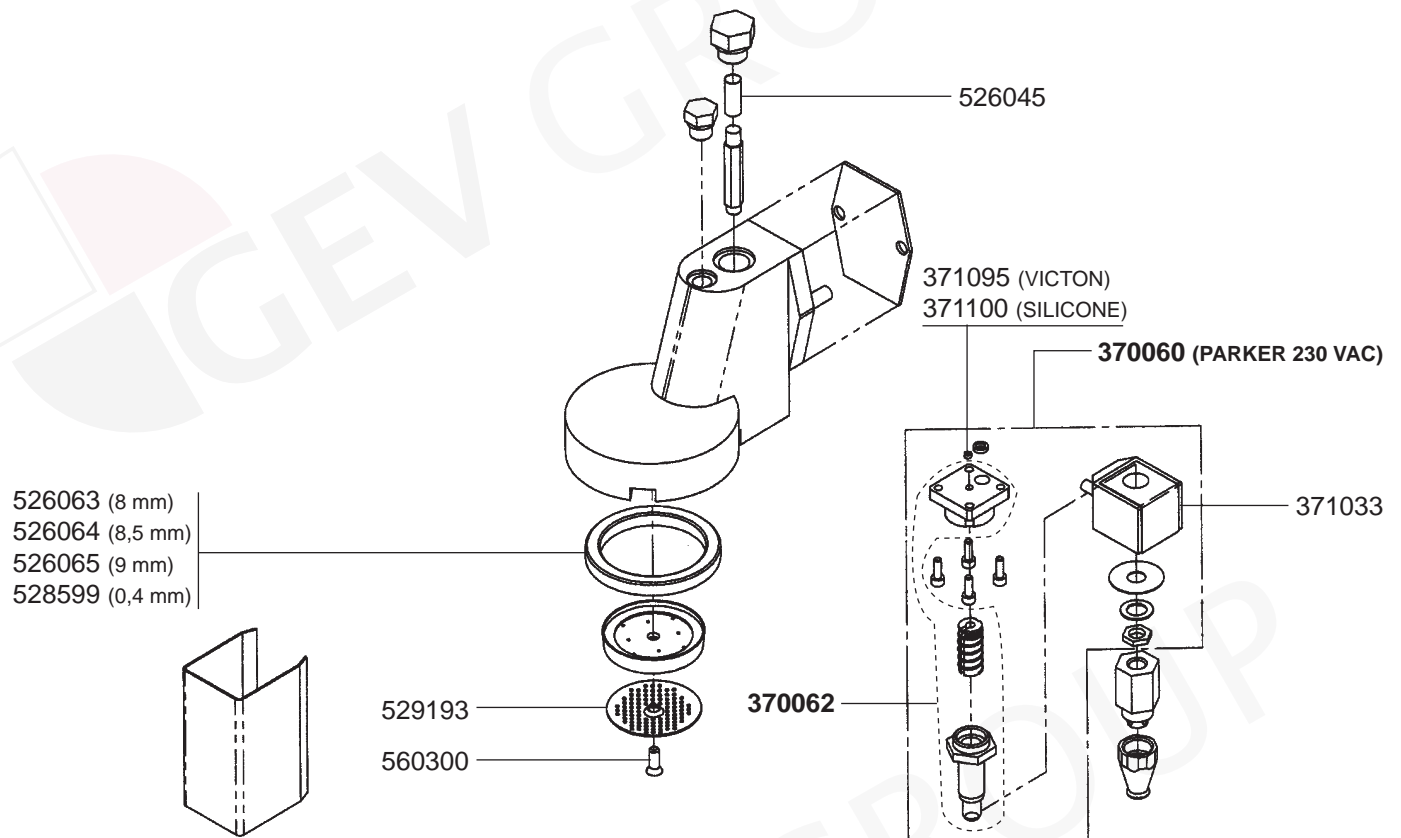


380137
(8 POLES)



400020
(L = 150 mm)

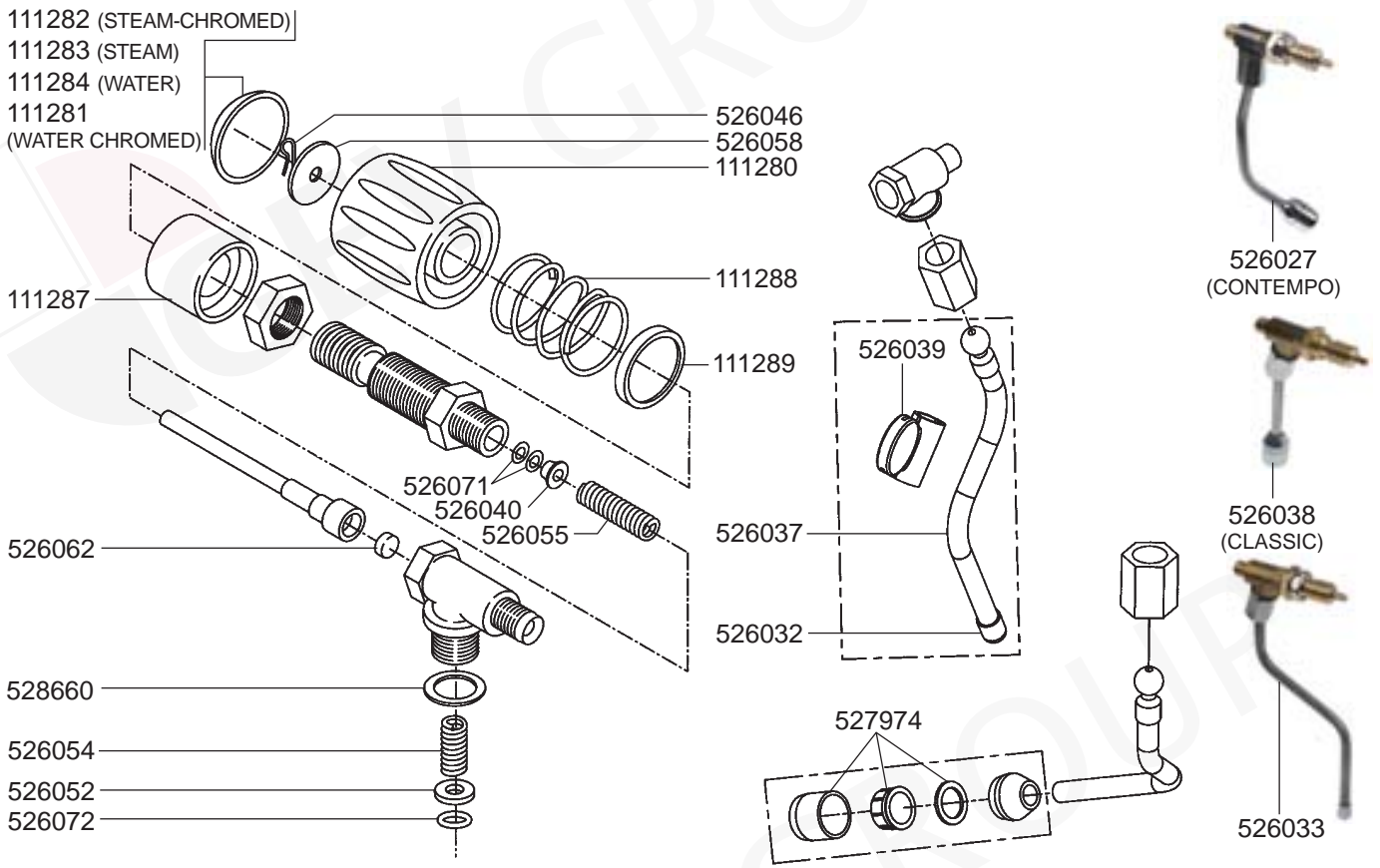
GROUP



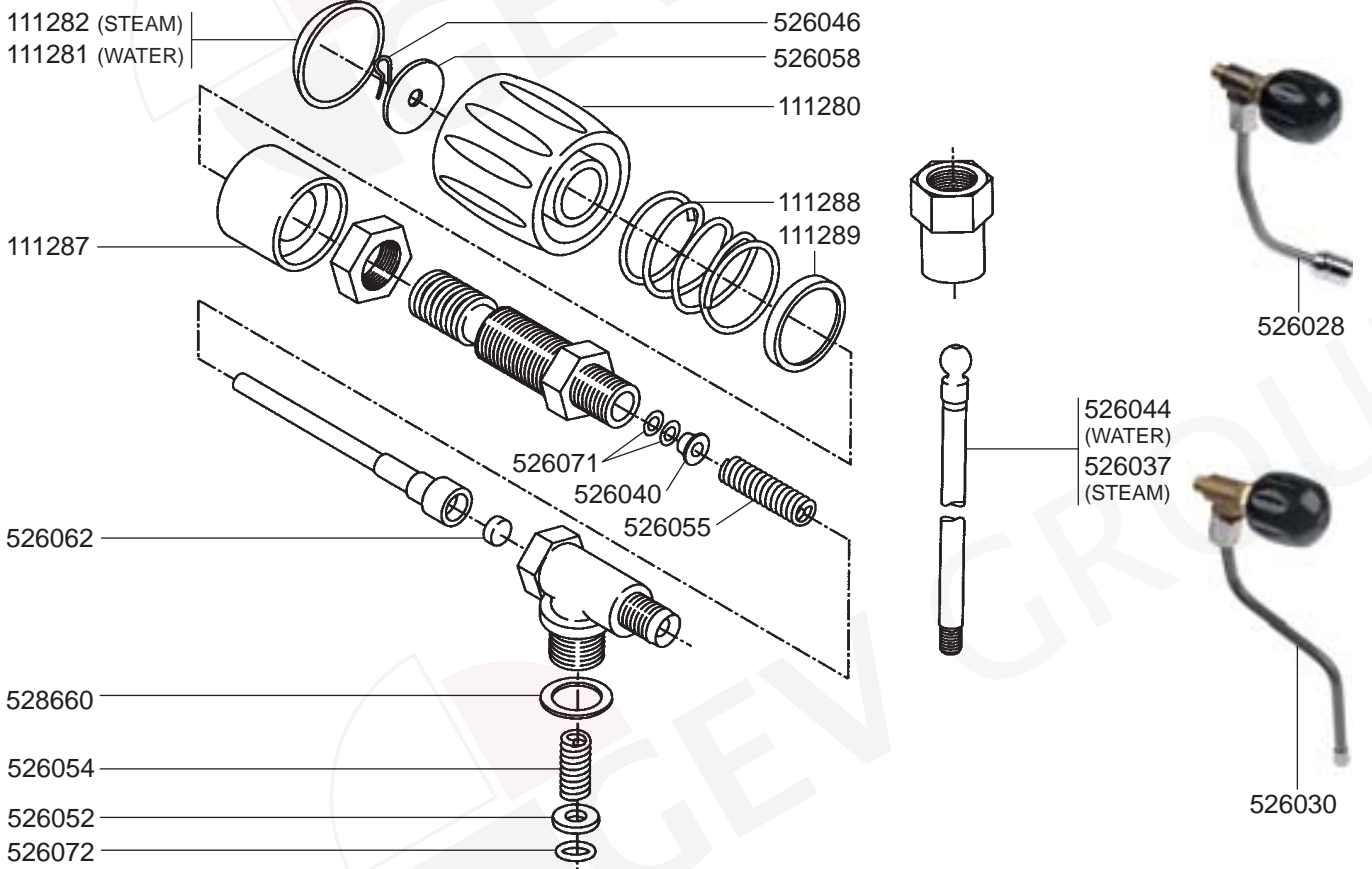
FILTER HOLDERS



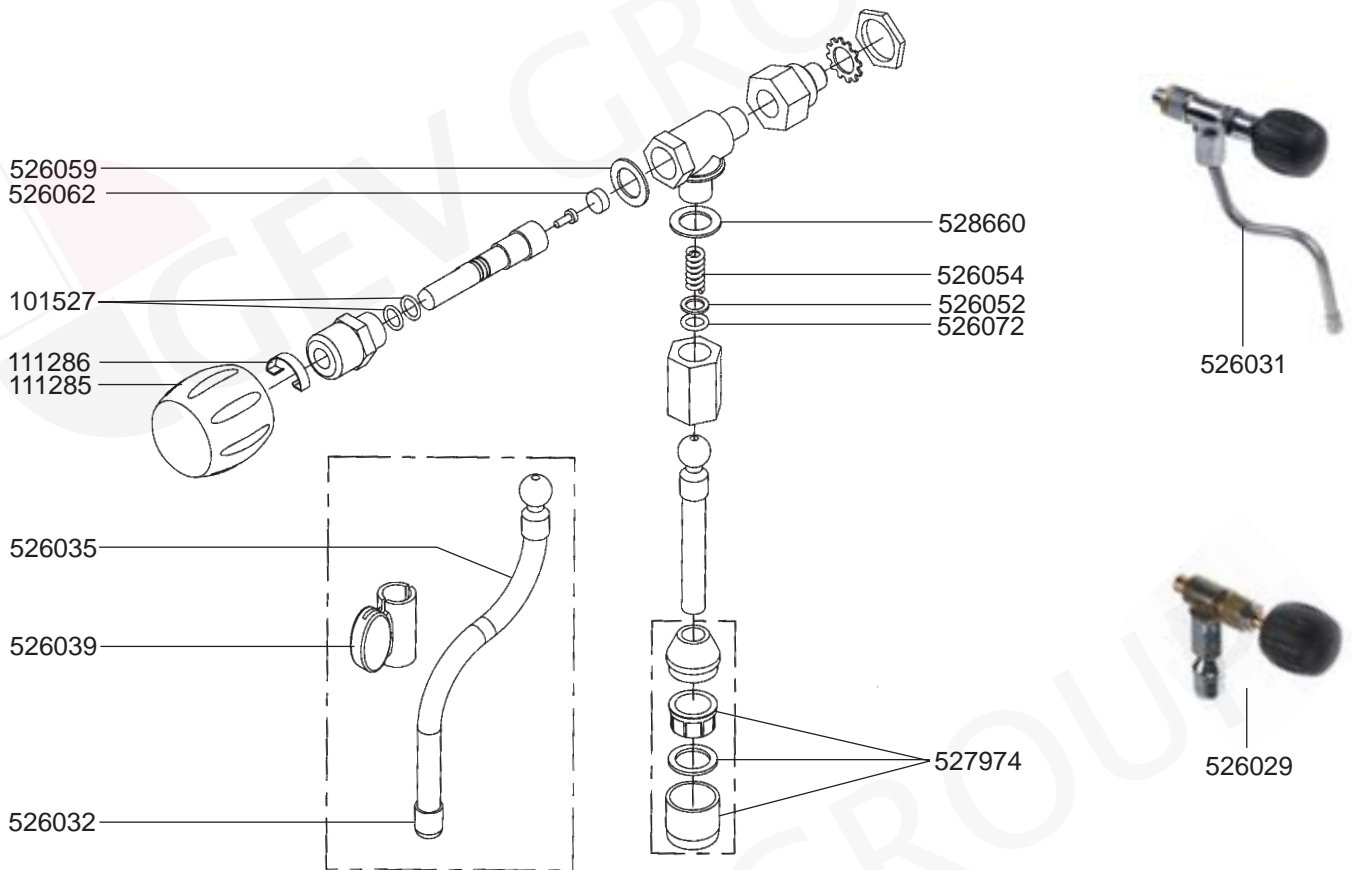
STEAM/WATER TAPS CLASSIC-CONTEMPO



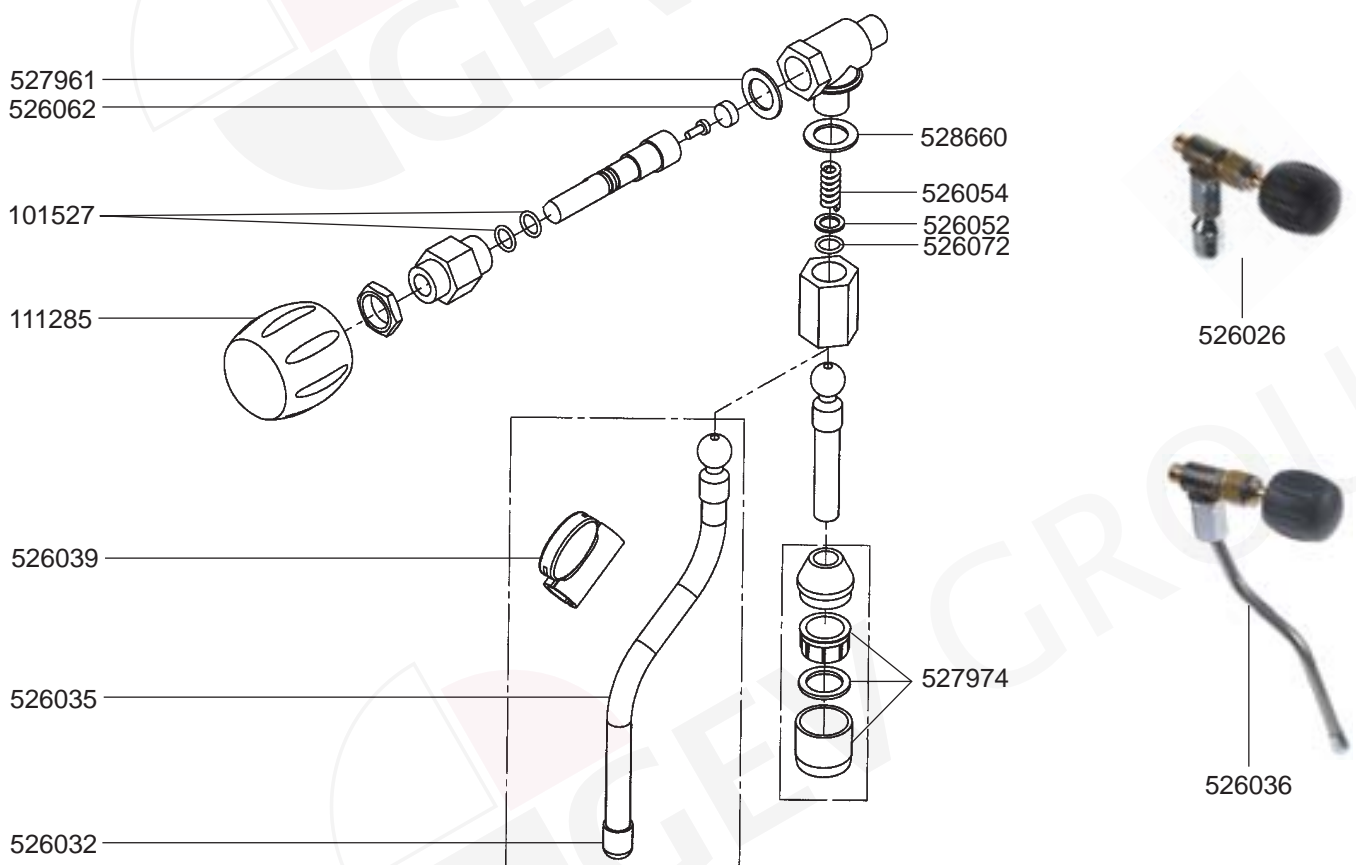
STEAM TAP BAMBINO



STEAM/WATER TAPS CHERUB

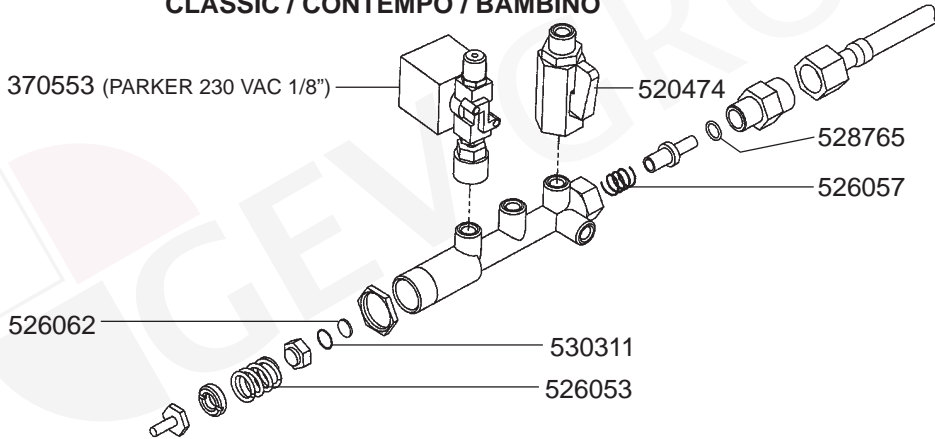


STEAM/WATER TAPS HEAVENLY

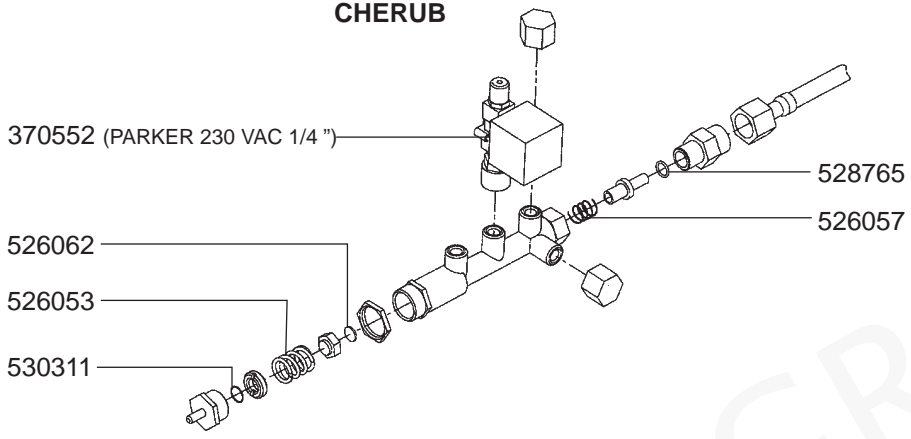


VALVES CLASSIC/CONTEMPO/BAMBINO/CHERUB

CLASSIC / CONTEMPO / BAMBINO

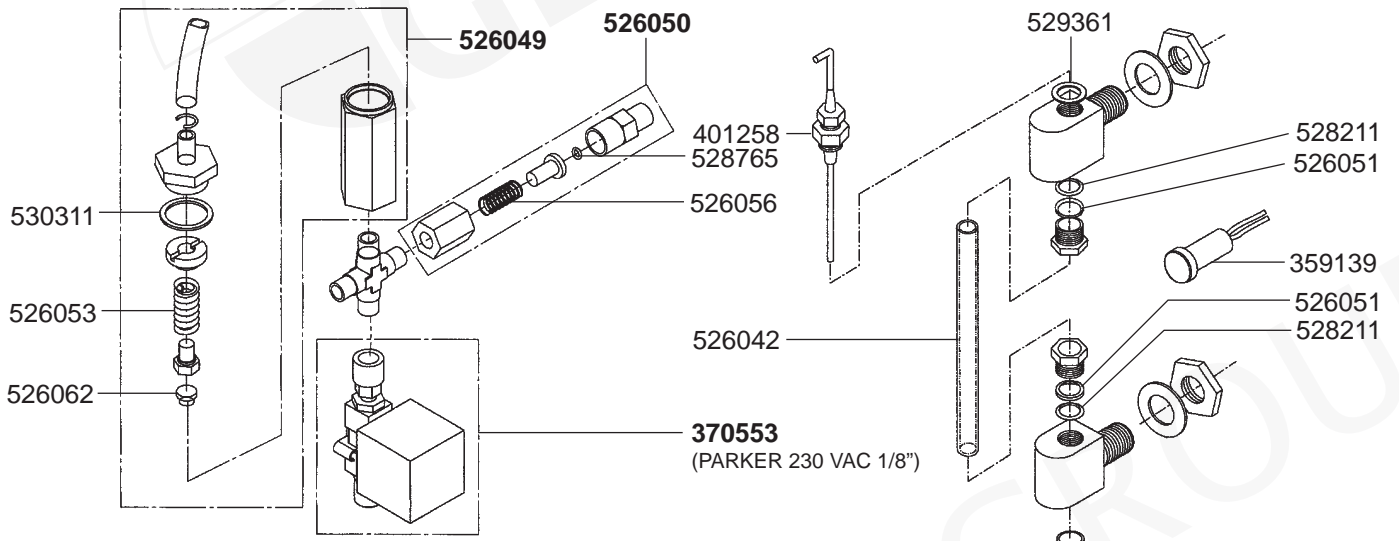


CHERUB

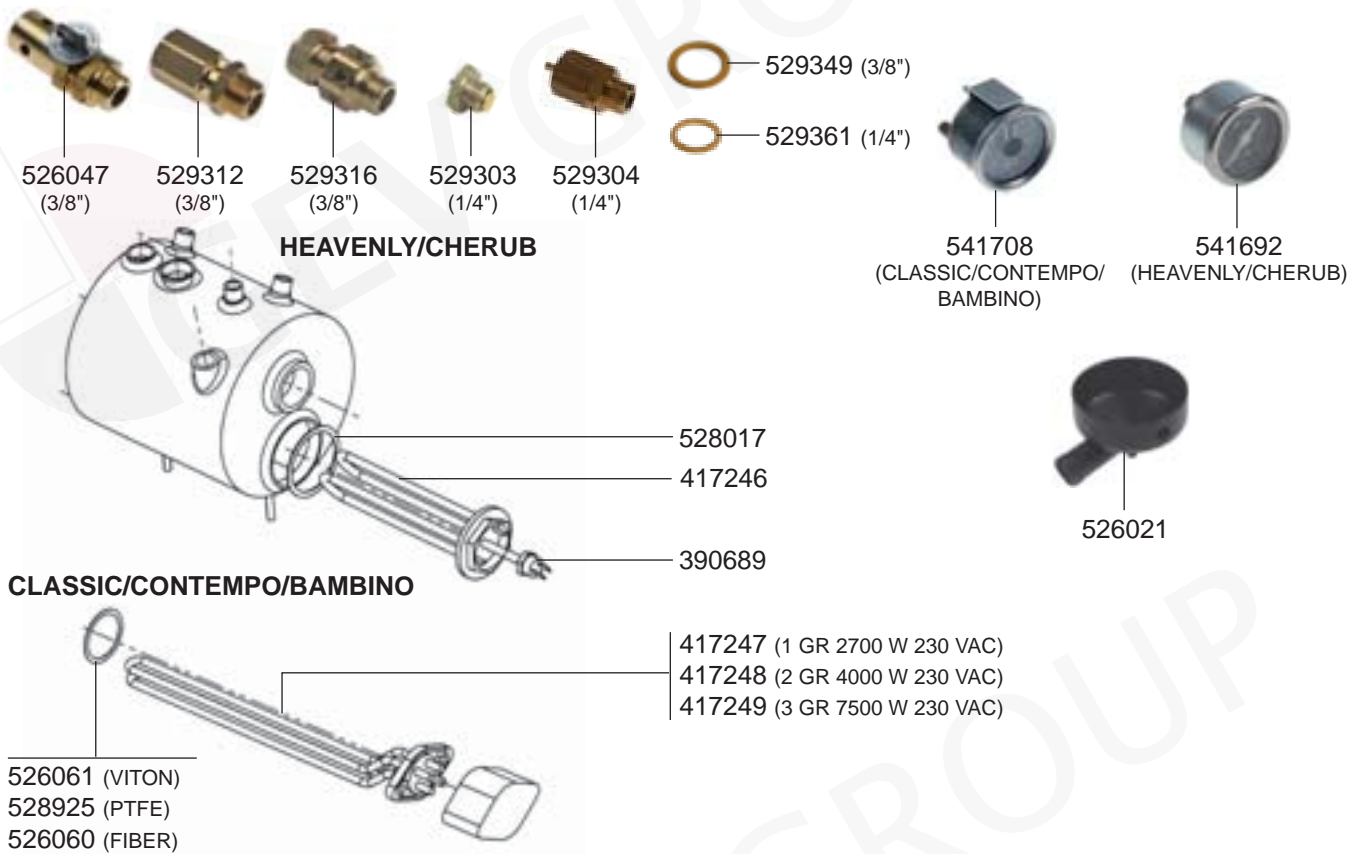


VALVES HEAVENLY - LEVEL INDICATOR

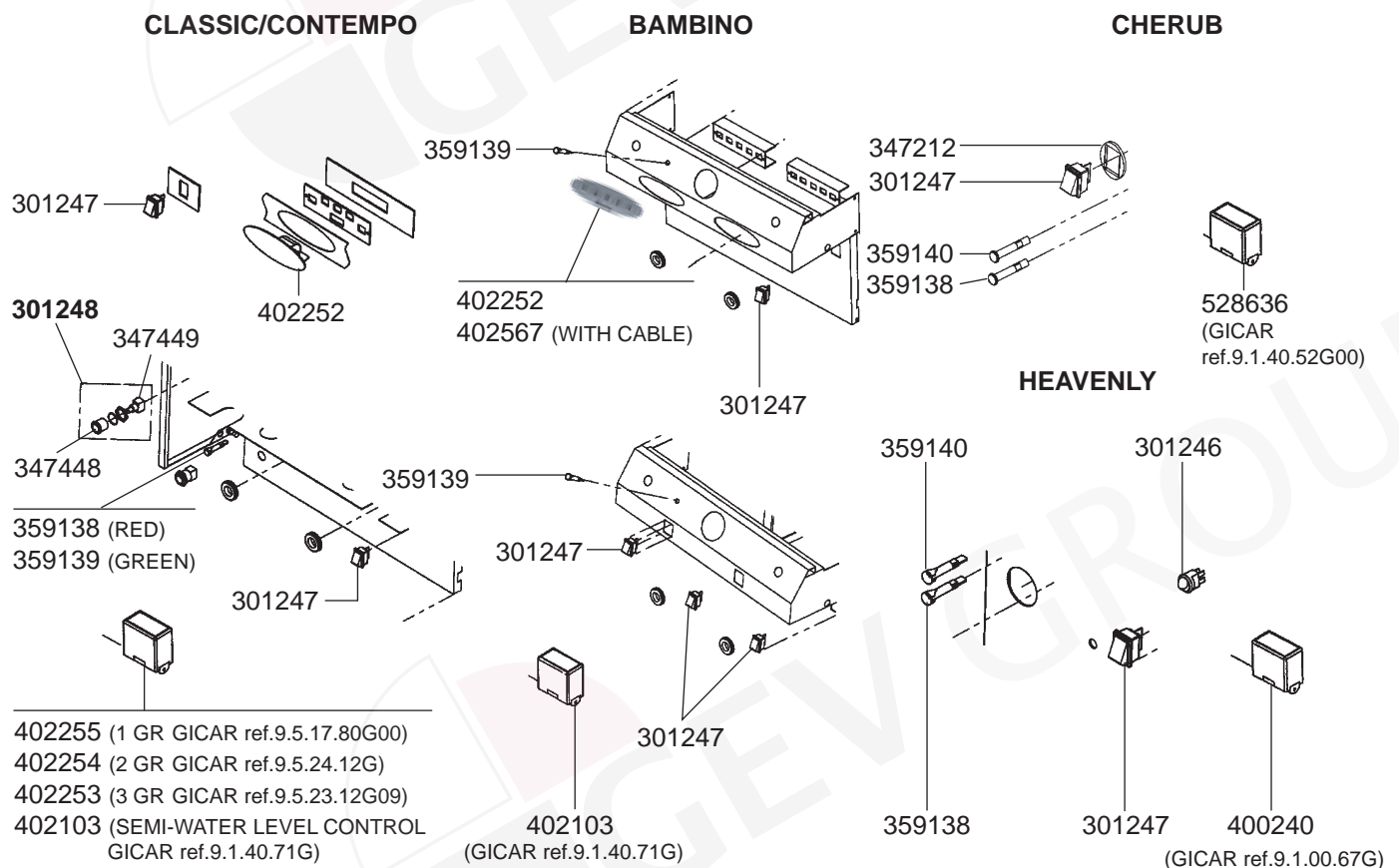
HEAVENLY



BOILER VARIOUS



ELECTRICAL COMPONENTS



ELECTRICAL COMPONENTS VARIOUS



400004



400256



400257



400258



541021
(SIRAI, 30 AMP,
3 POLES)



541724
(SIRAI, 20 AMP,
3 POLES)



541723
(SIRAI, 20 AMP,
2 POLES)



541453
(PARKER)



370057
(PARKER 230 VAC)
370053
(LUCIFER 230 VAC)



370062
(PARKER)
370061
(LUCIFER)



370206
(PARKER 230 VAC 1/8")
370072
(LUCIFER 230 VAC 1/8")



371029
(PARKER 230 VAC)
371031
(LUCIFER 230 VAC)



371091



371090



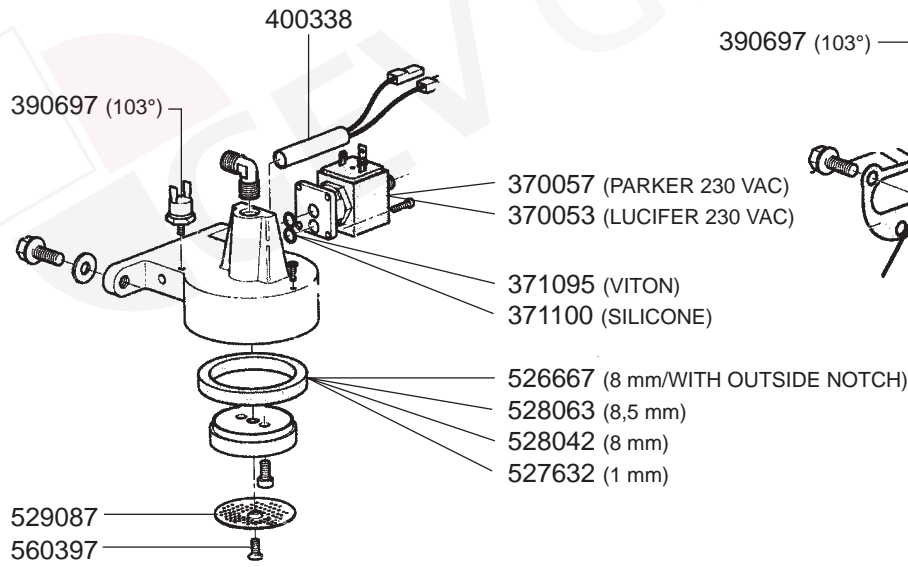
371095
(VITON)



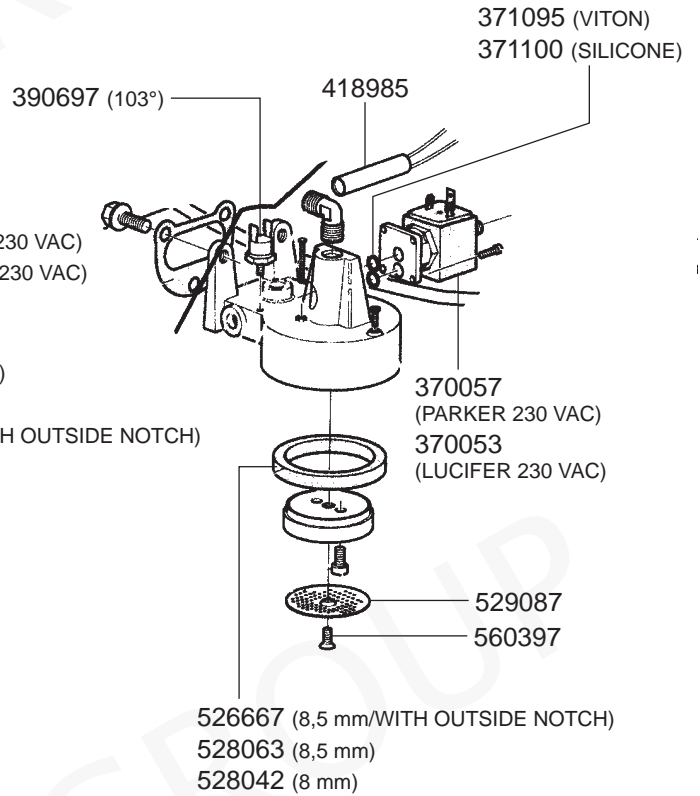
371100
(SILICONE)

GROUP XE-XD EVOLUTION/DECO D-E/GE-GD

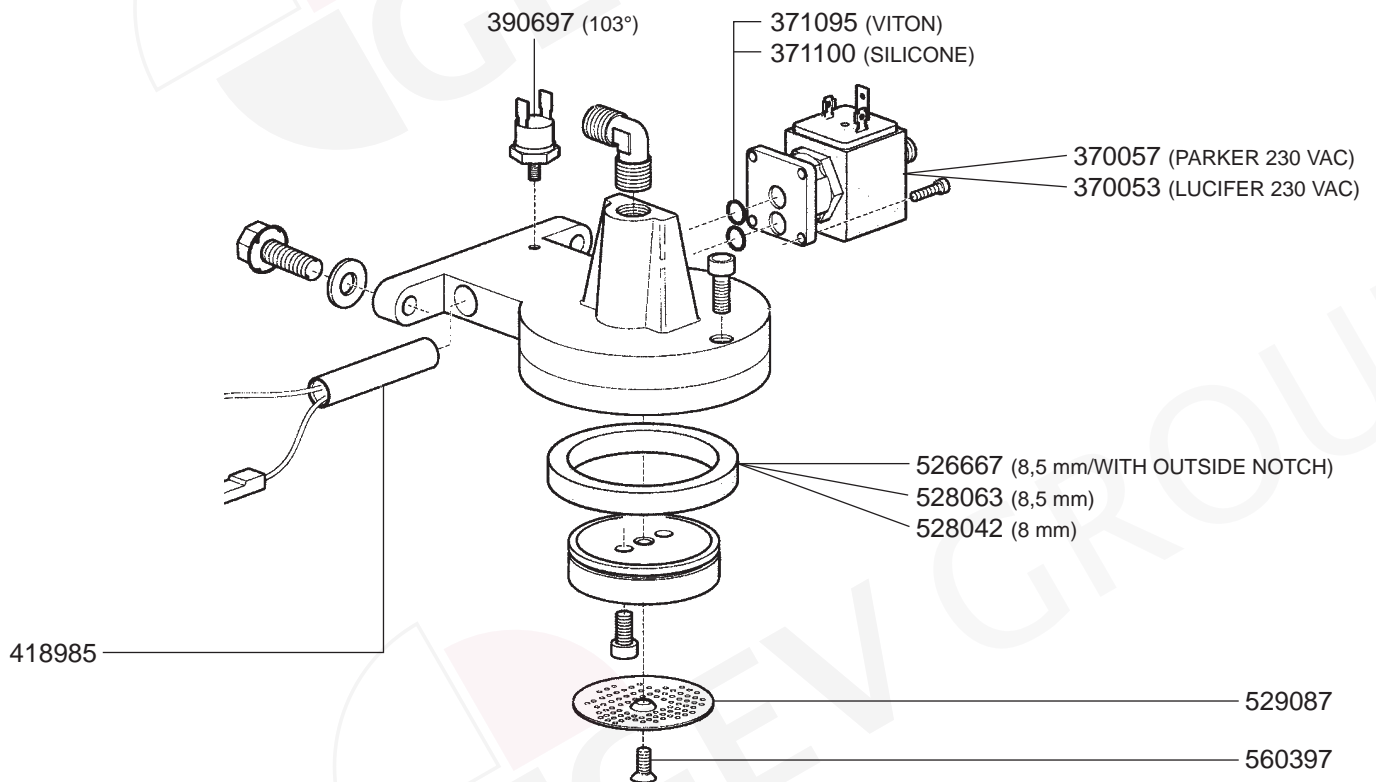
XE-XD EVOLUTION



DECO D-E/GE-GD



GROUP TS



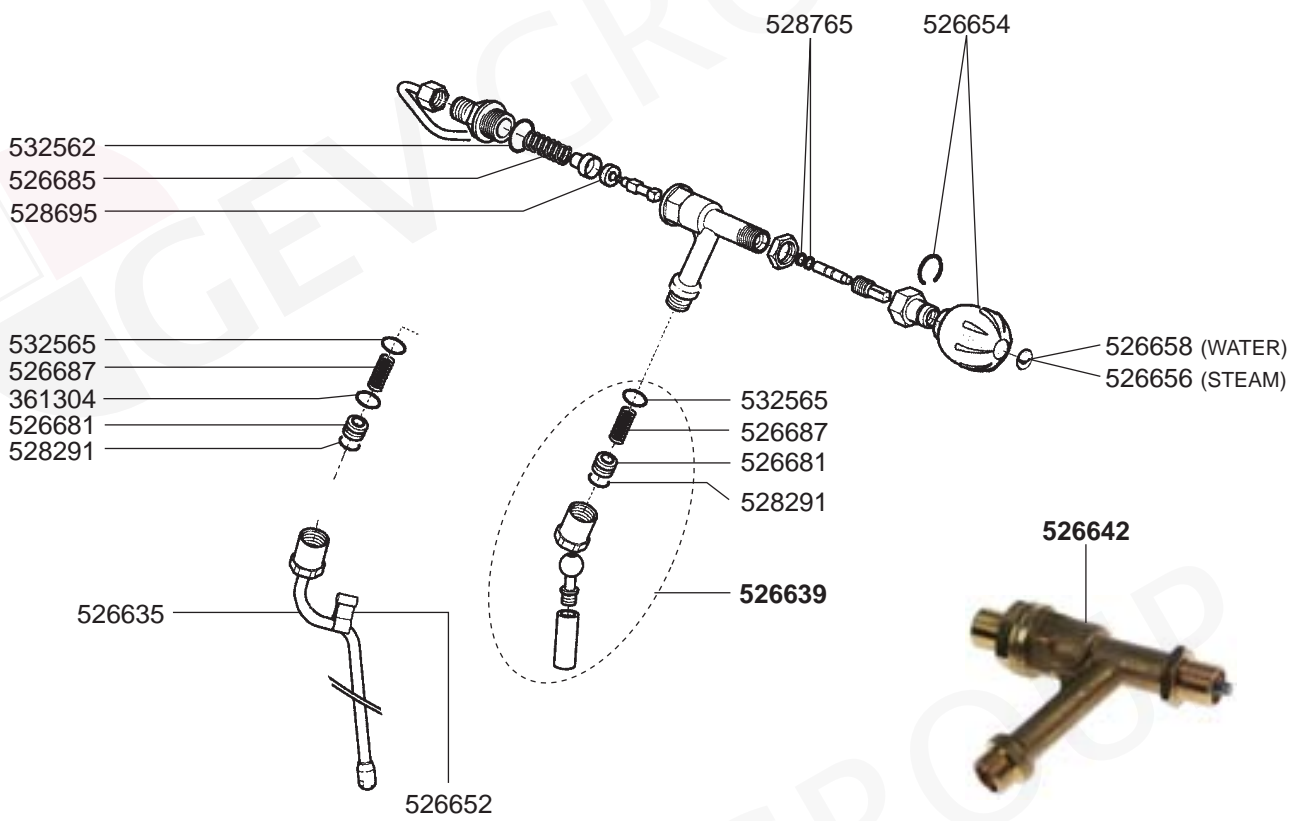
FILTER HOLDERS



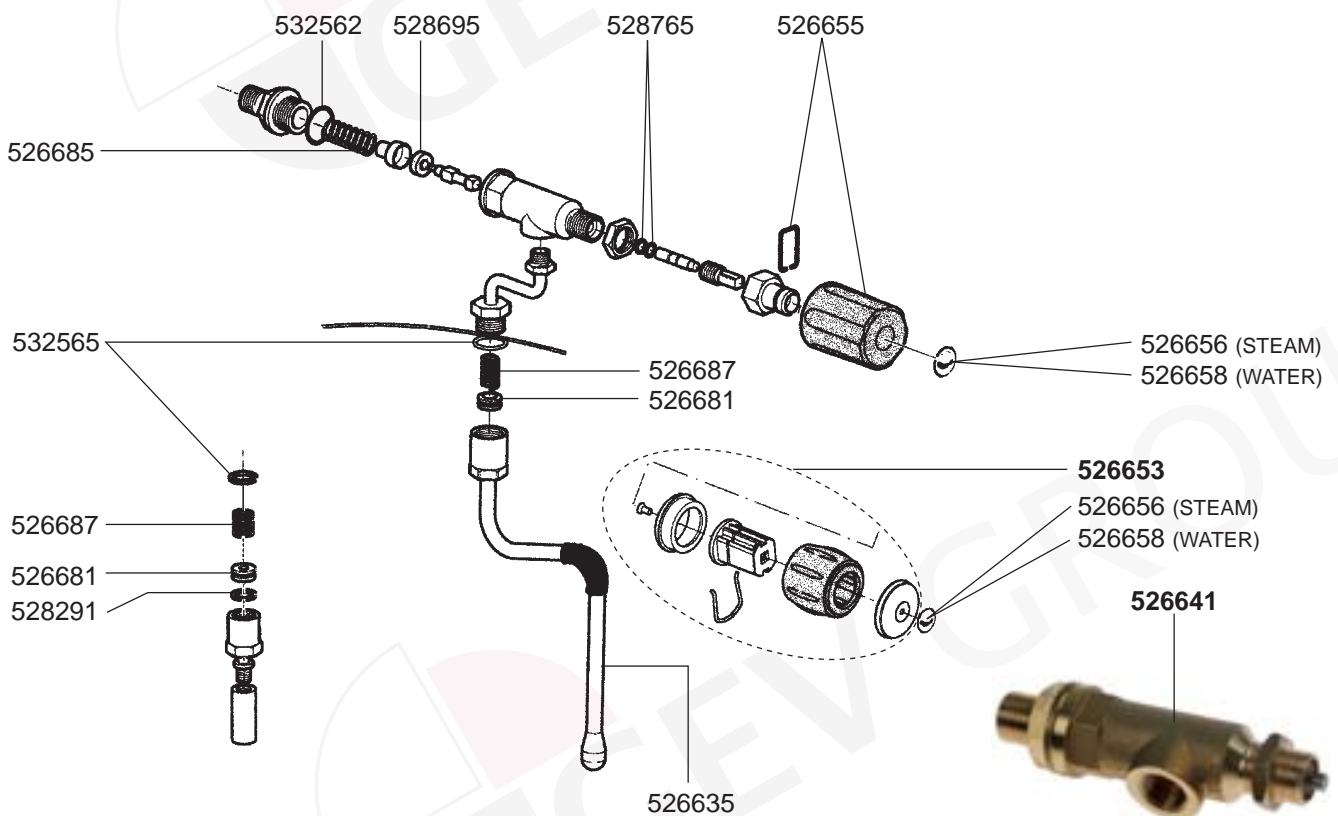
OLD MODEL FILTER HOLDERS



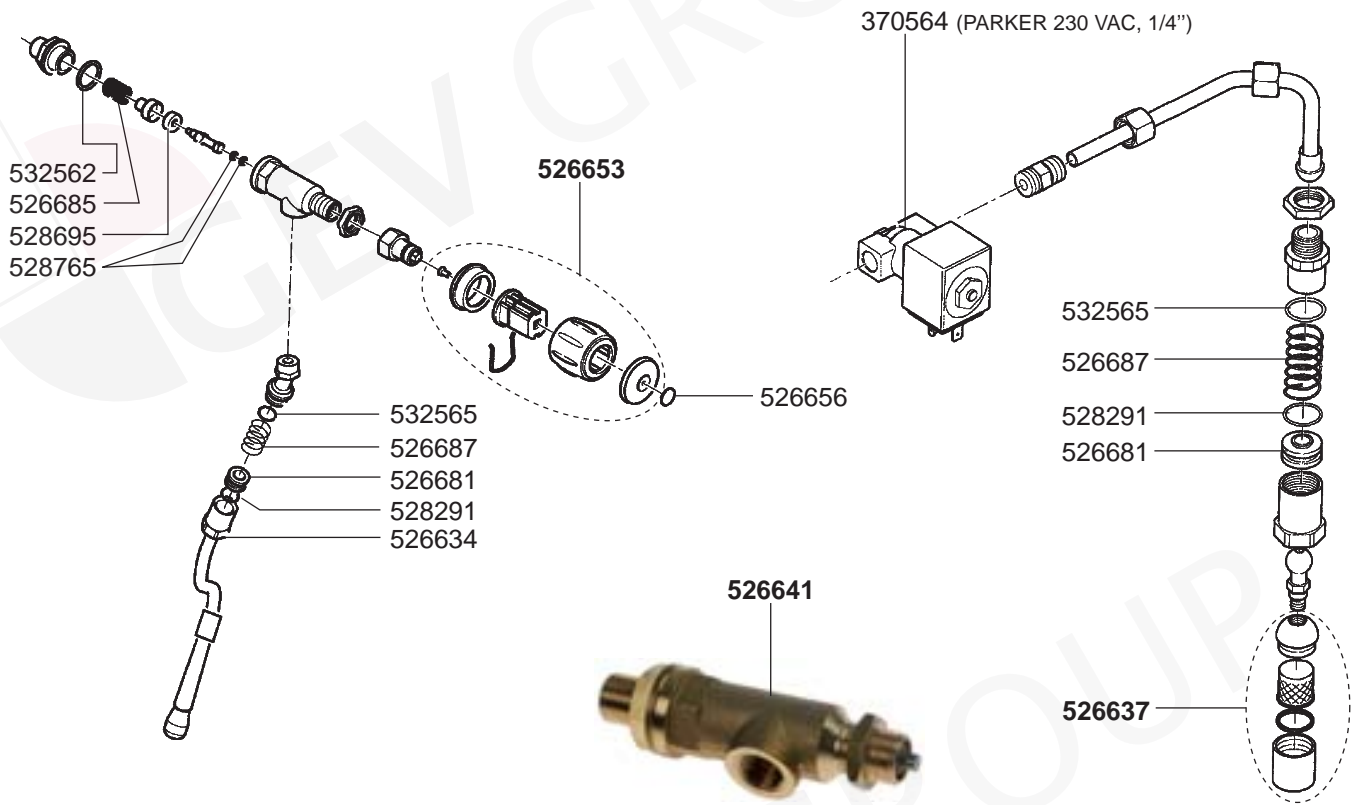
STEAM/WATER TAPS GE-GD



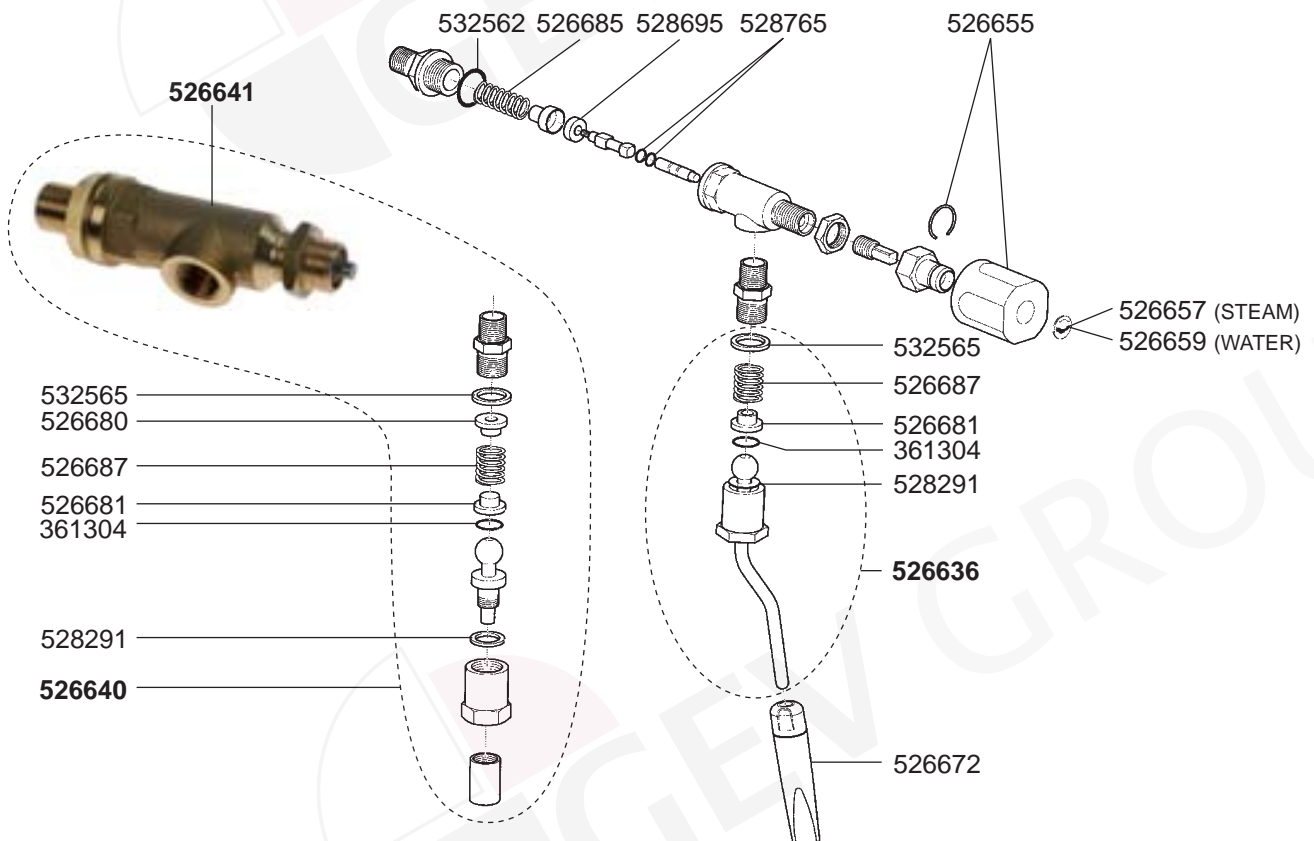
STEAM/WATER TAPS XE-XD EVOLUTION



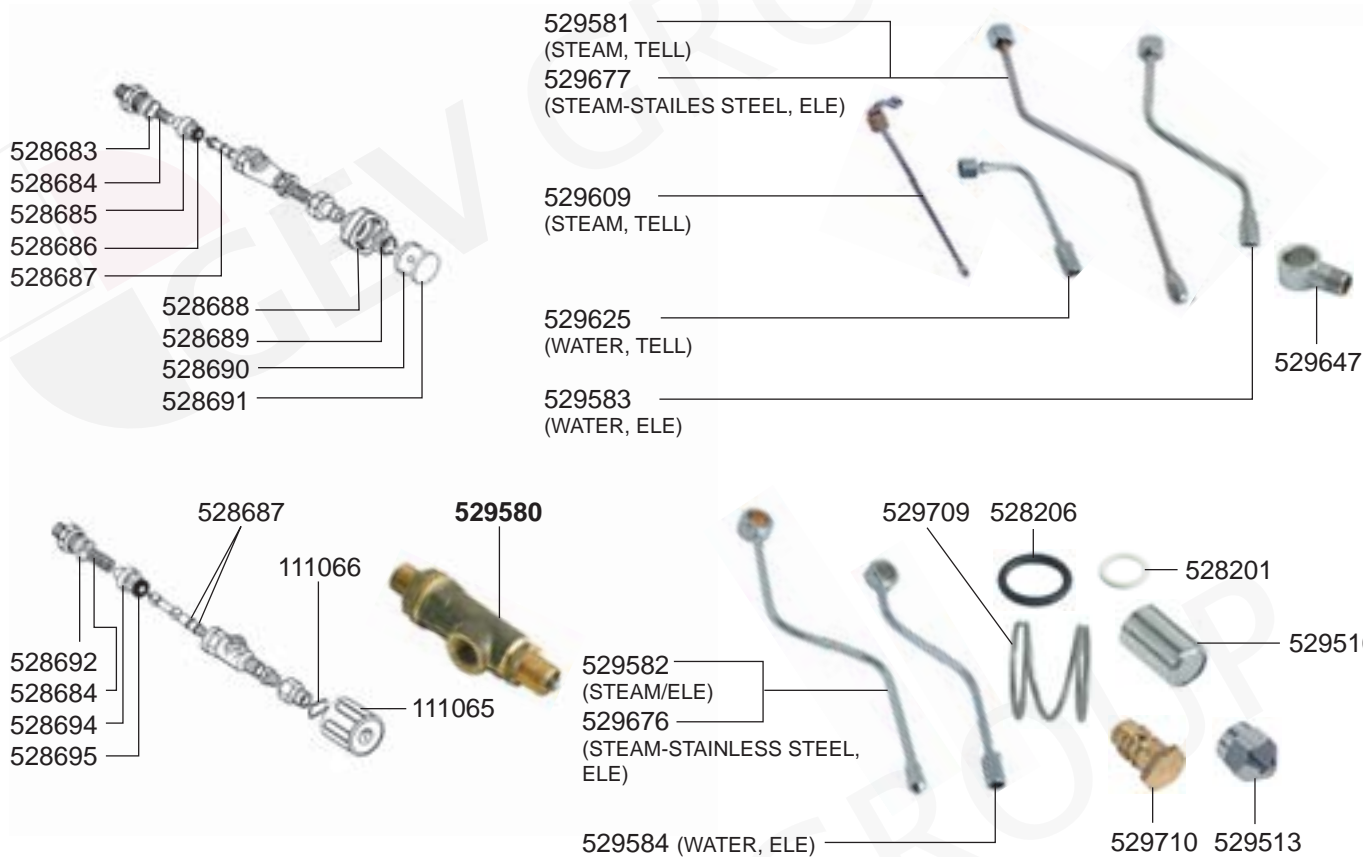
STEAM/WATER TAPS DECO D-E



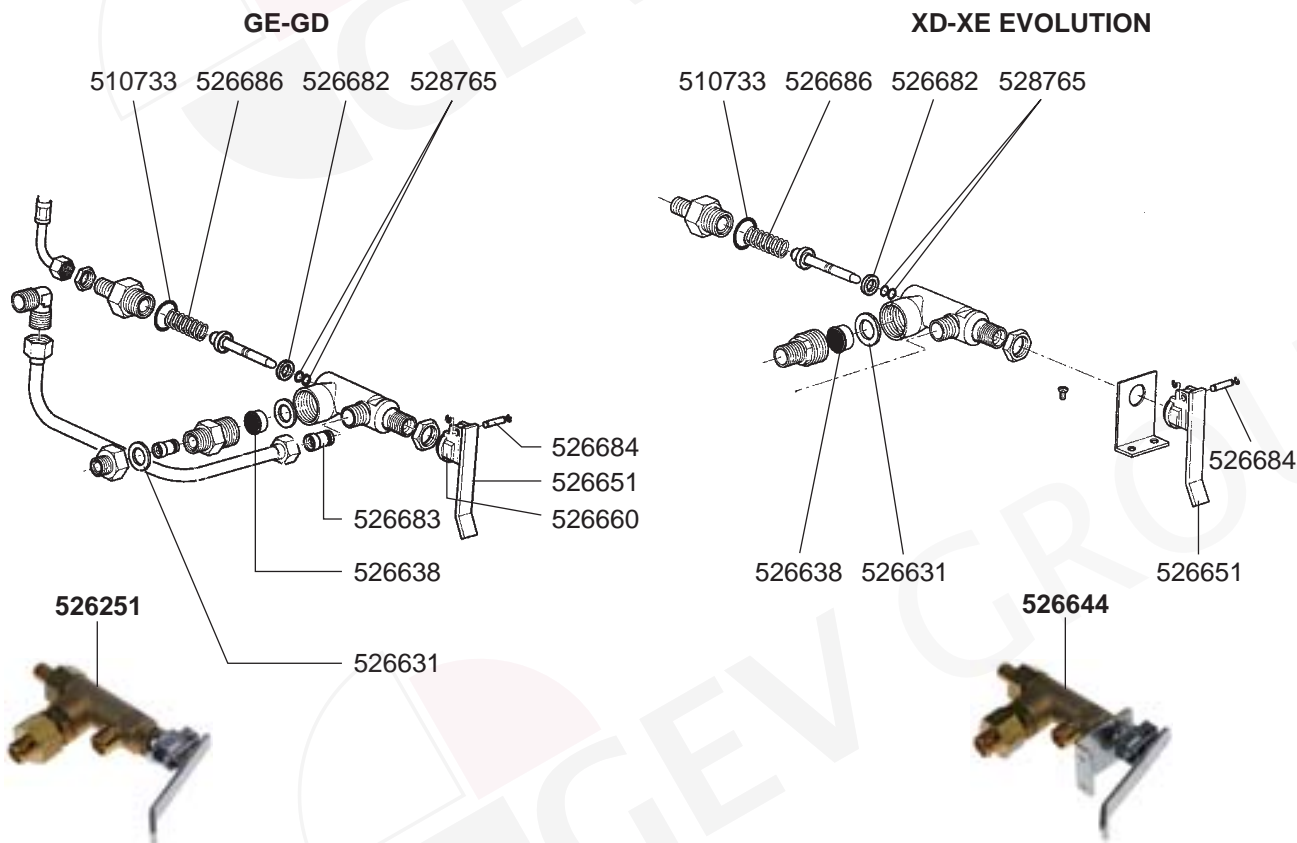
STEAM/WATER TAPS TS



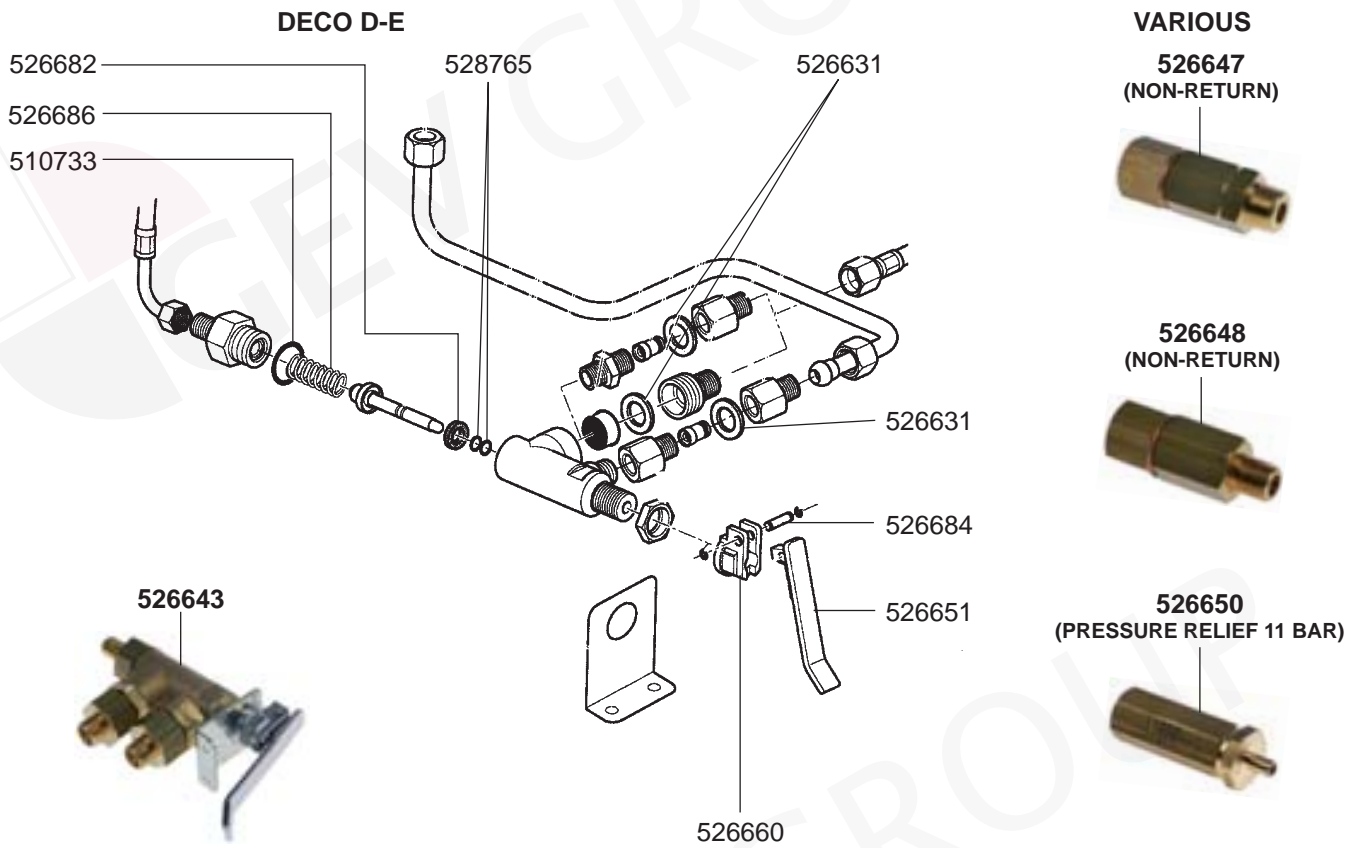
OLD MODEL STEAM/WATER TAPS



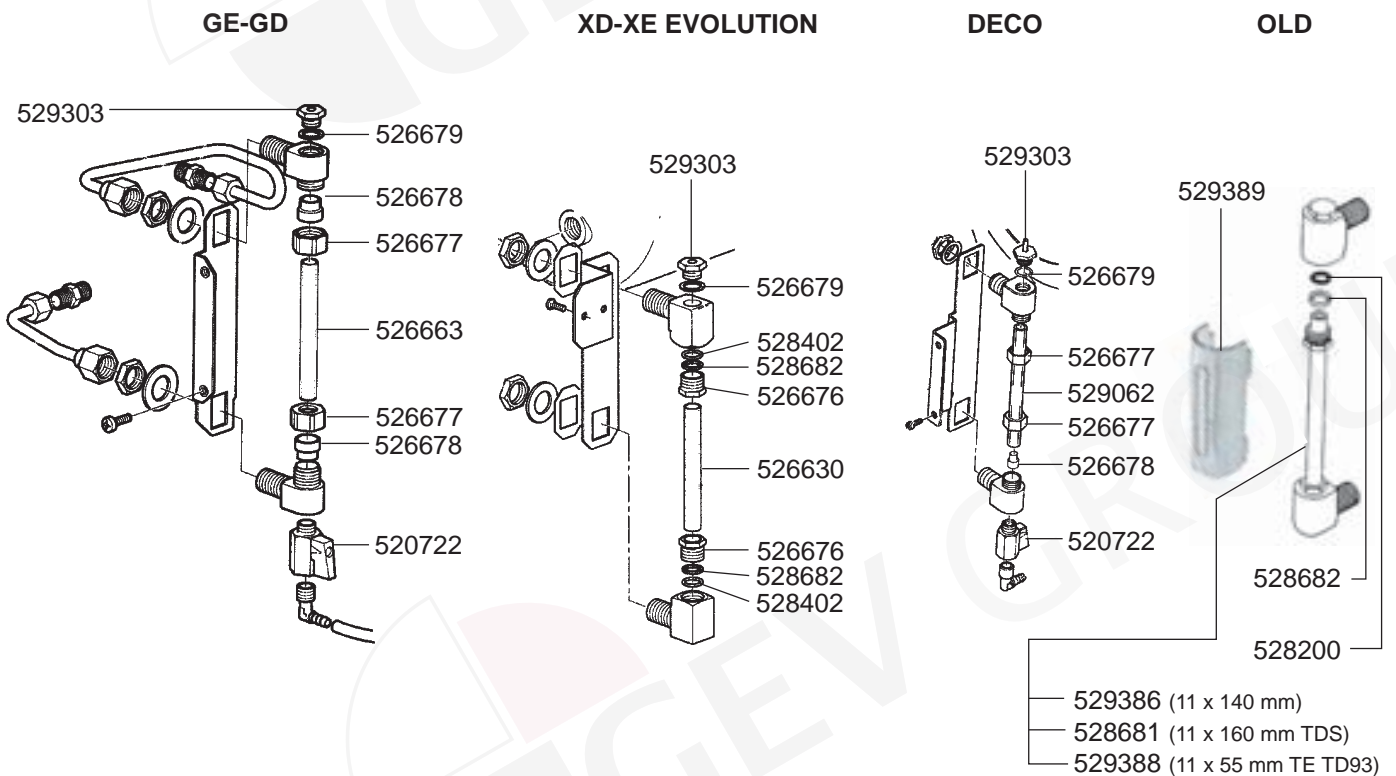
Inlet VALVE GE-GD/XD-XE EVOLUTION



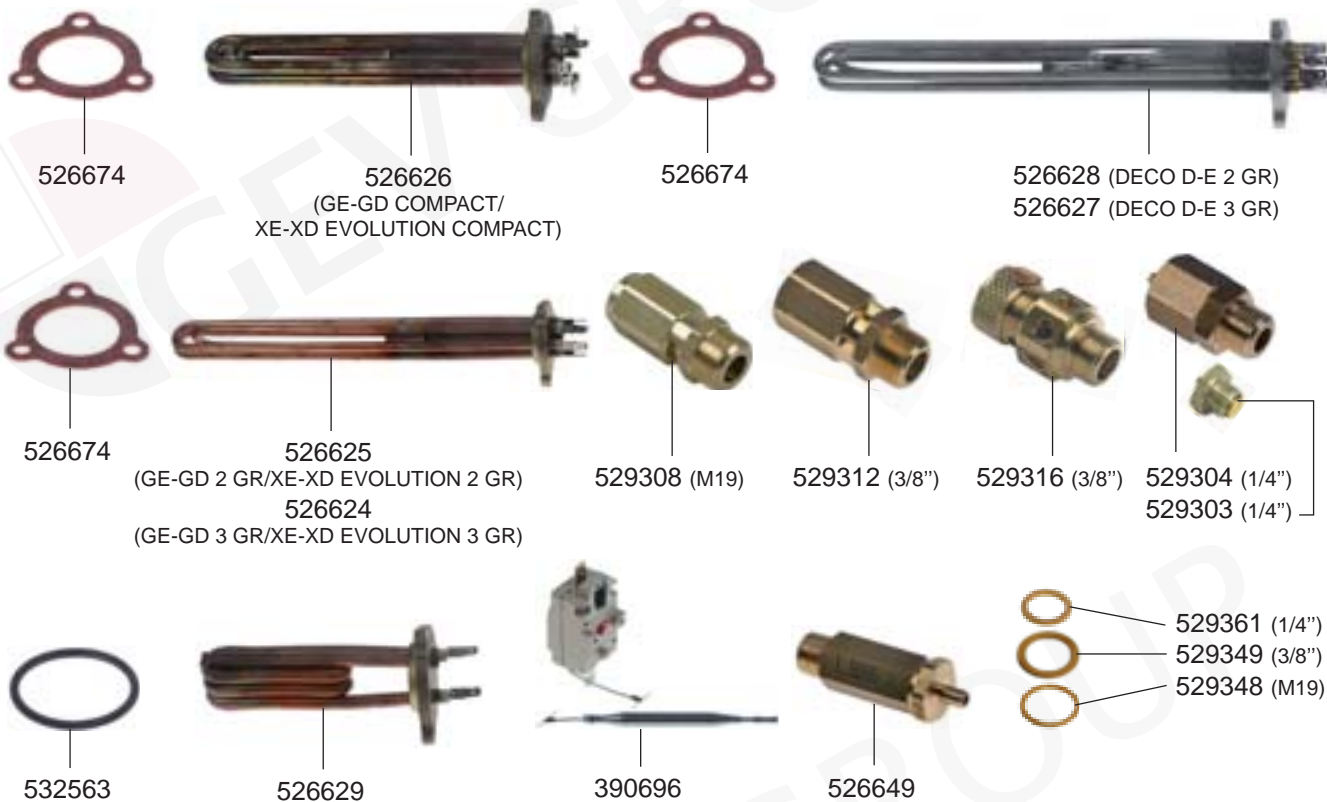
Inlet VALVE DECO D-E VARIOUS



LEVEL INDICATOR GE-GD/XD-XE EVOLUTION/DECO



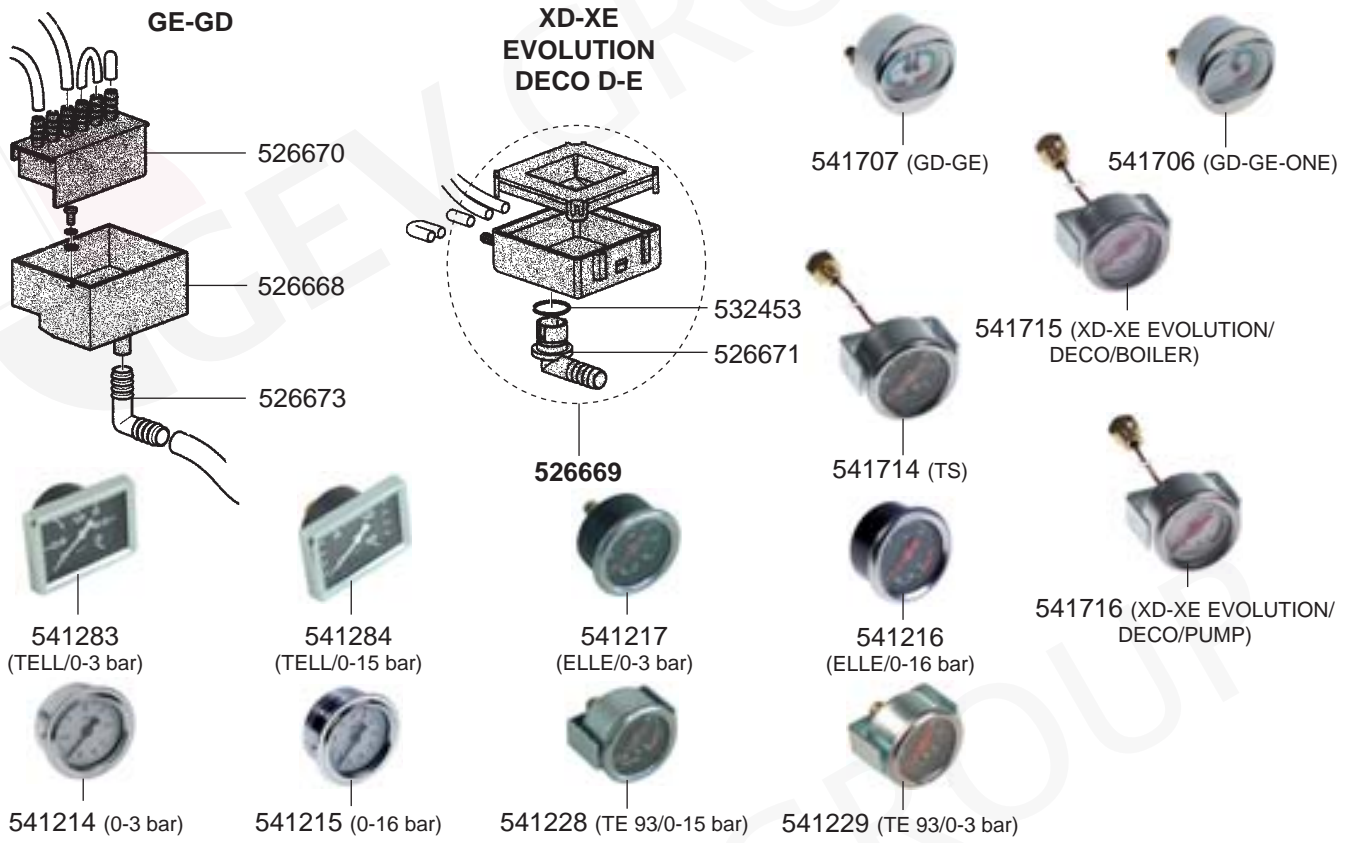
BOILER XD-XE EVOLUTION/DECO D-E/GE-GD/TS VARIOUS



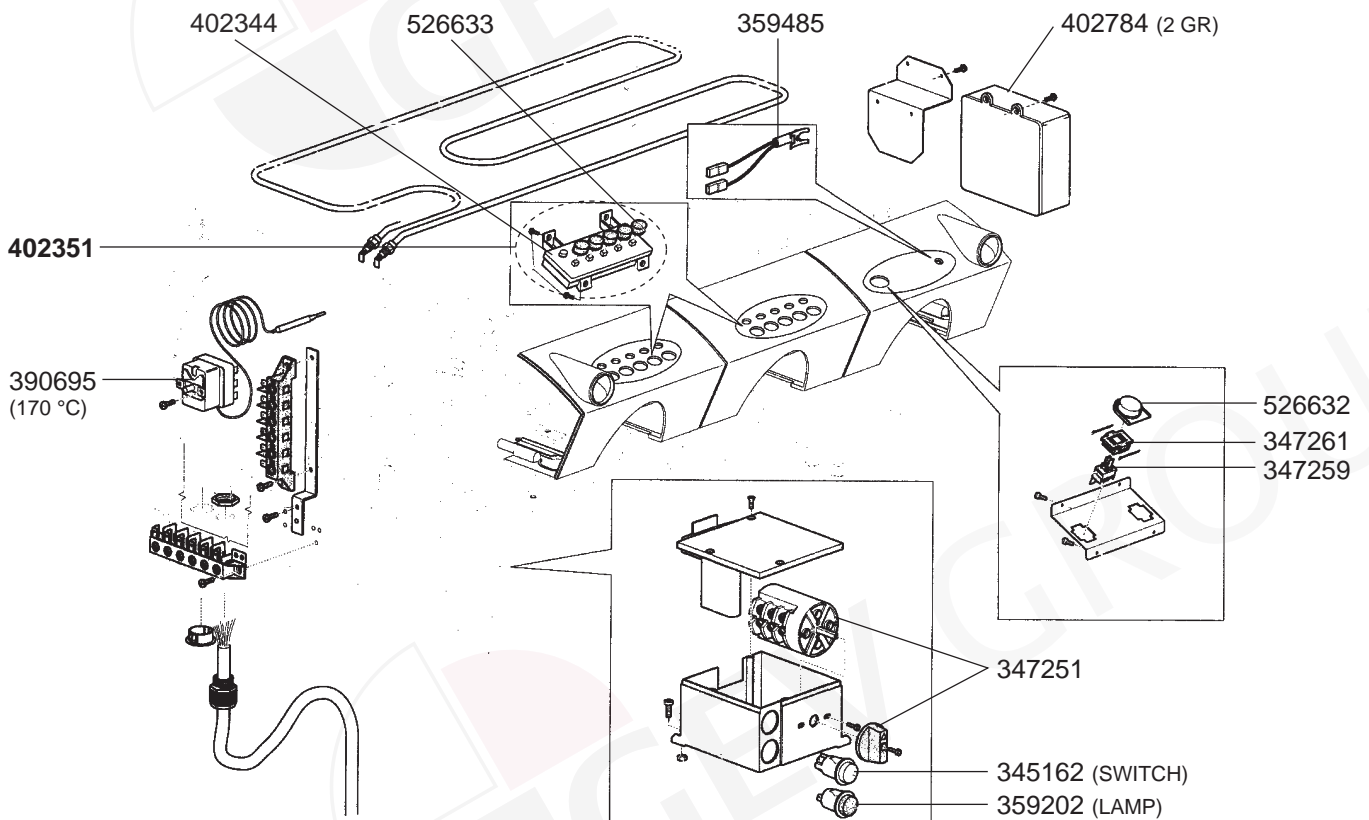
BOILER OLD MODELS VARIOUS



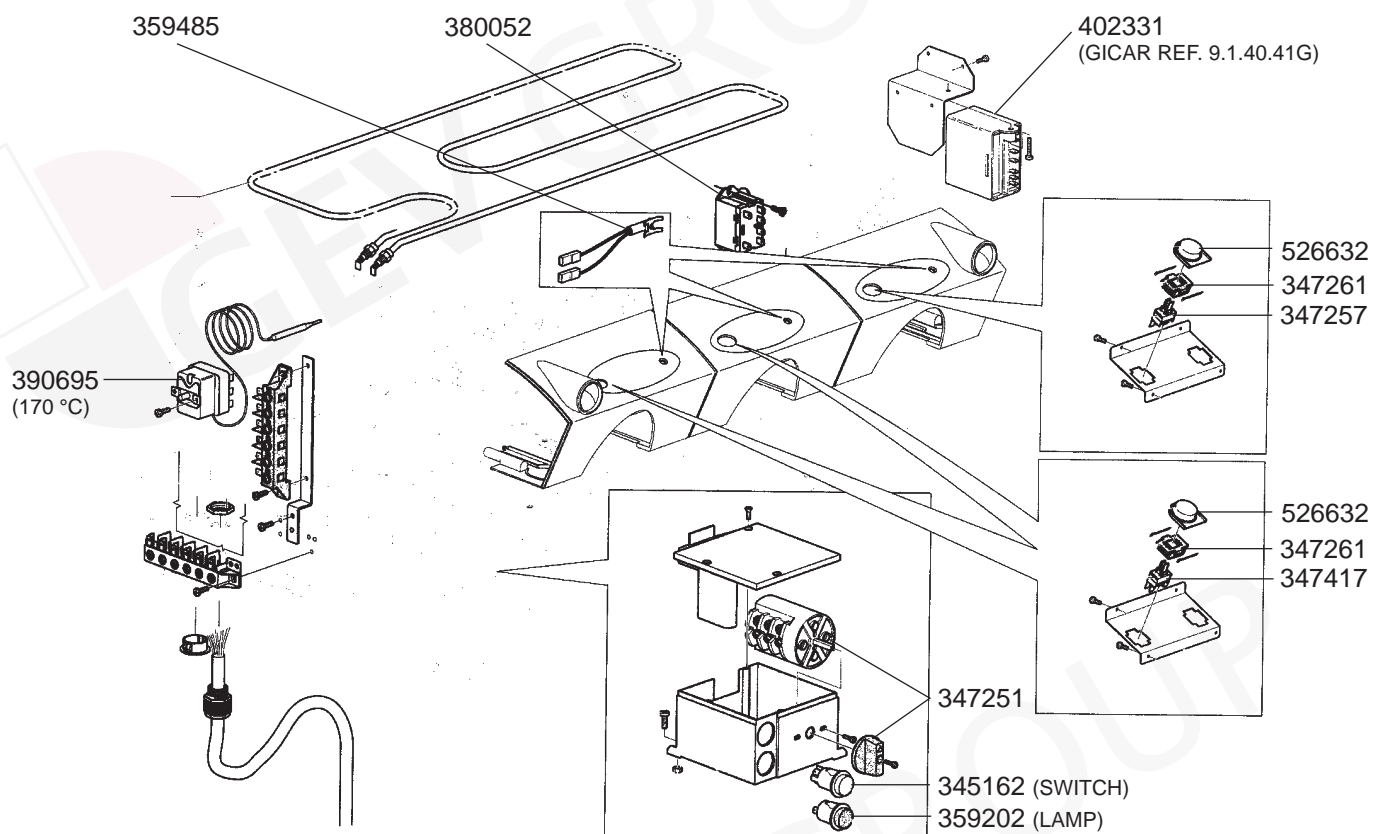
DRIP TRAYS/MANOMETERS



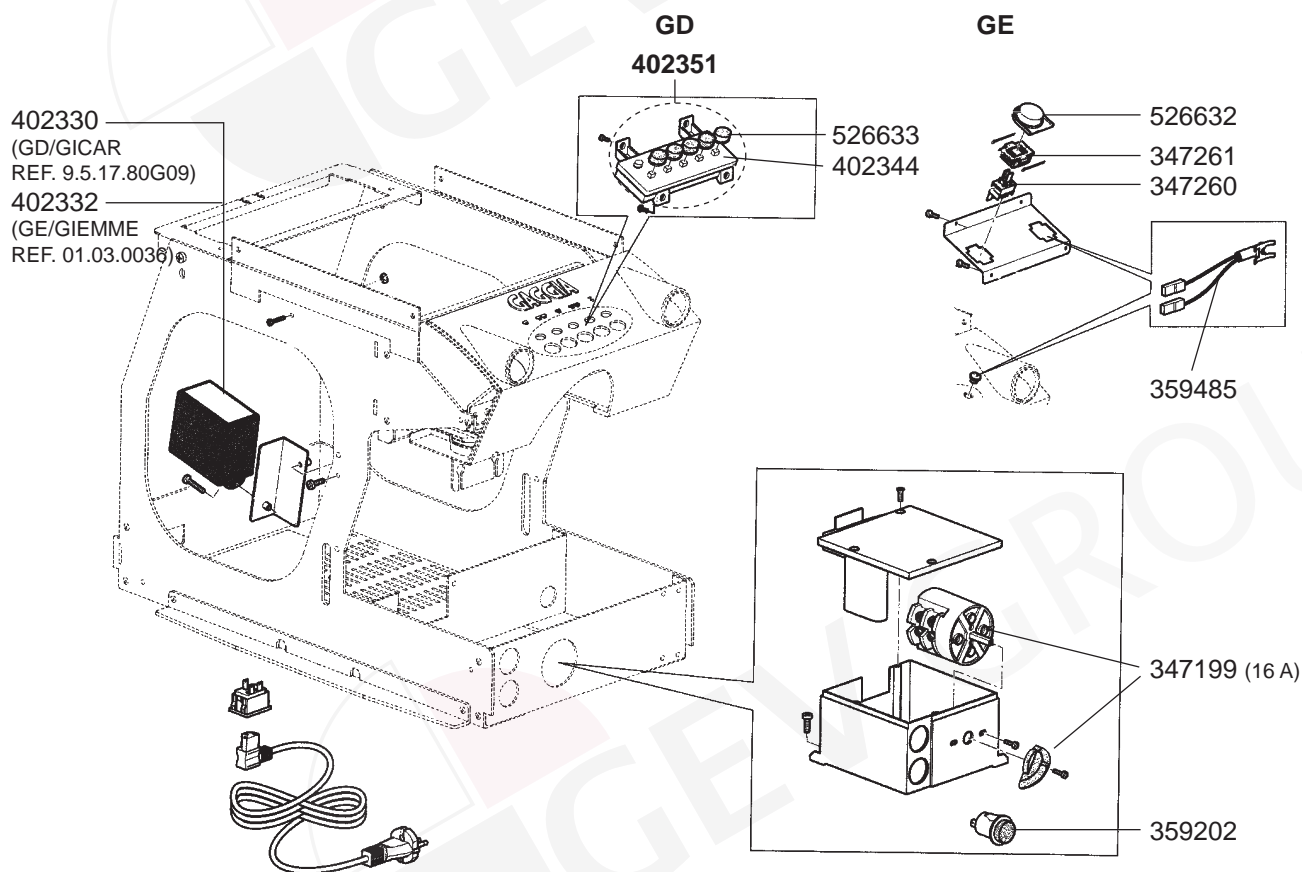
ELECTRICAL COMPONENTS GD/GD COMPACT



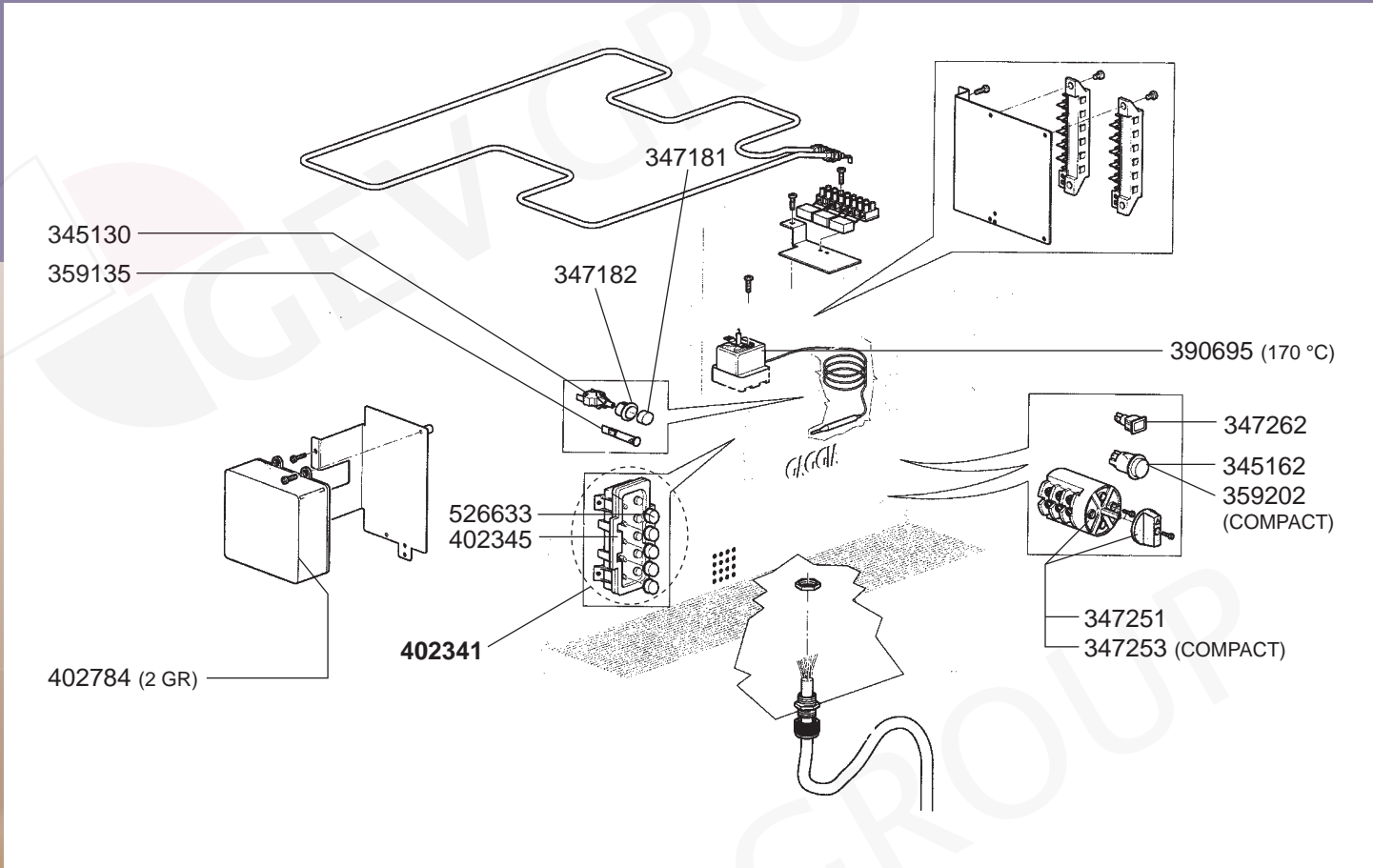
ELECTRICAL COMPONENTS GE/GE COMPACT



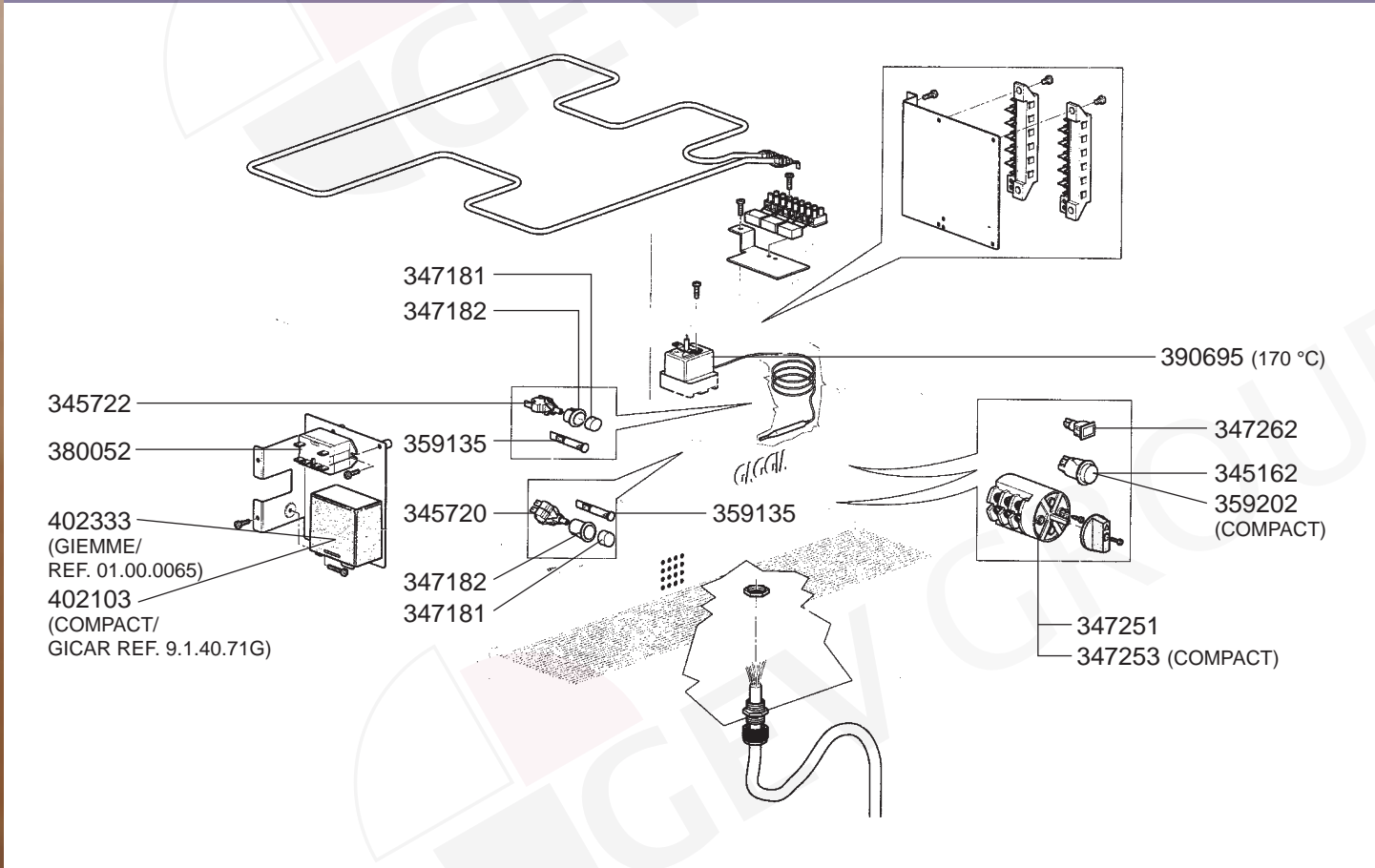
ELECTRICAL COMPONENTS GD-GE ONE



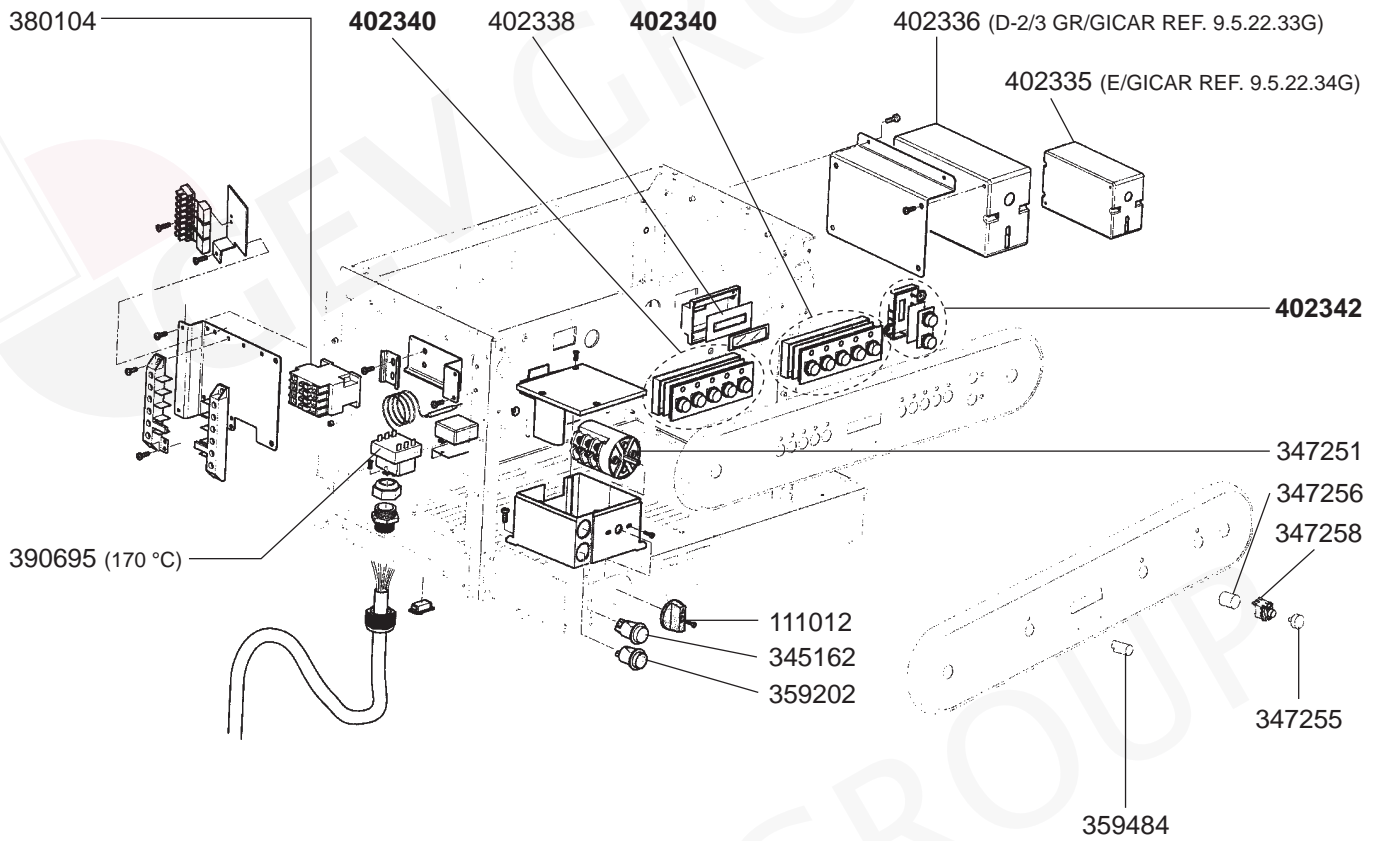
ELECTRICAL COMPONENTS XD EVOLUTION/XD EVOLUTION COMPACT



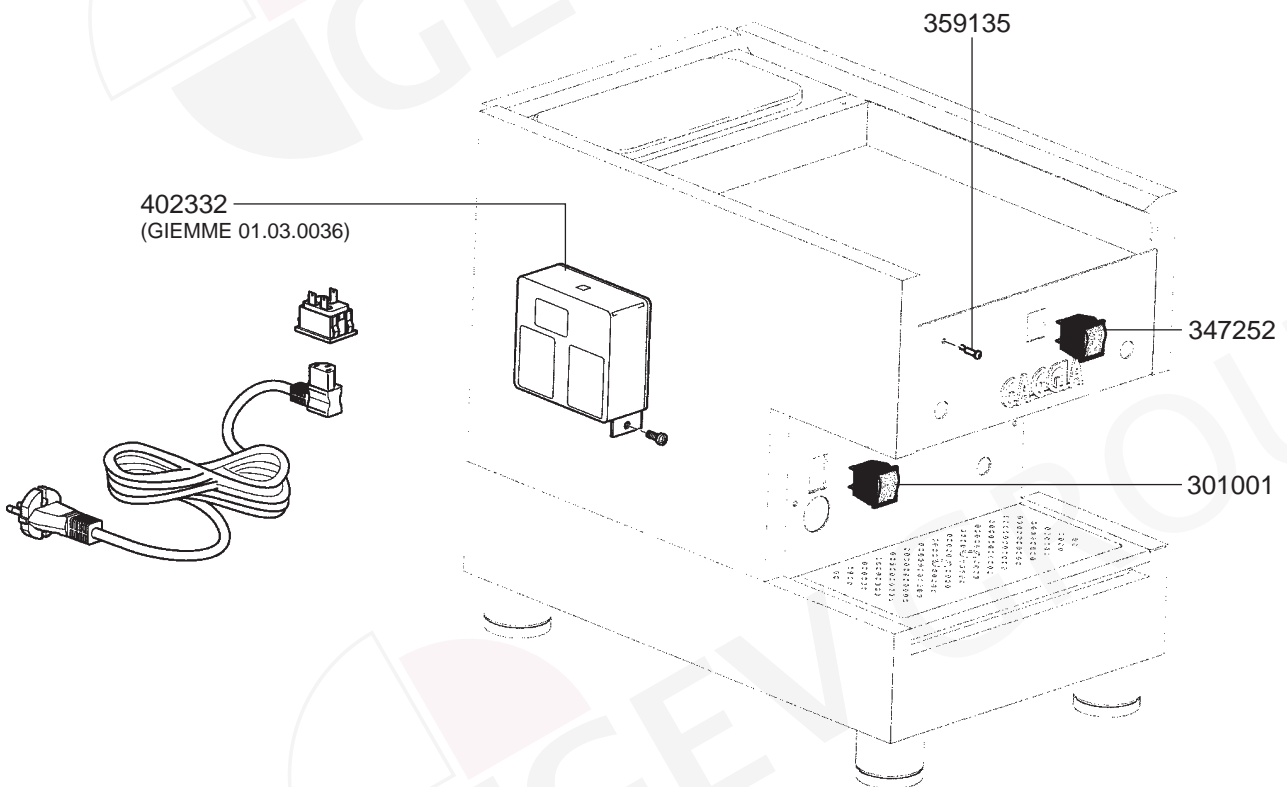
ELECTRICAL COMPONENTS XE EVOLUTION/XE EVOLUTION COMPACT



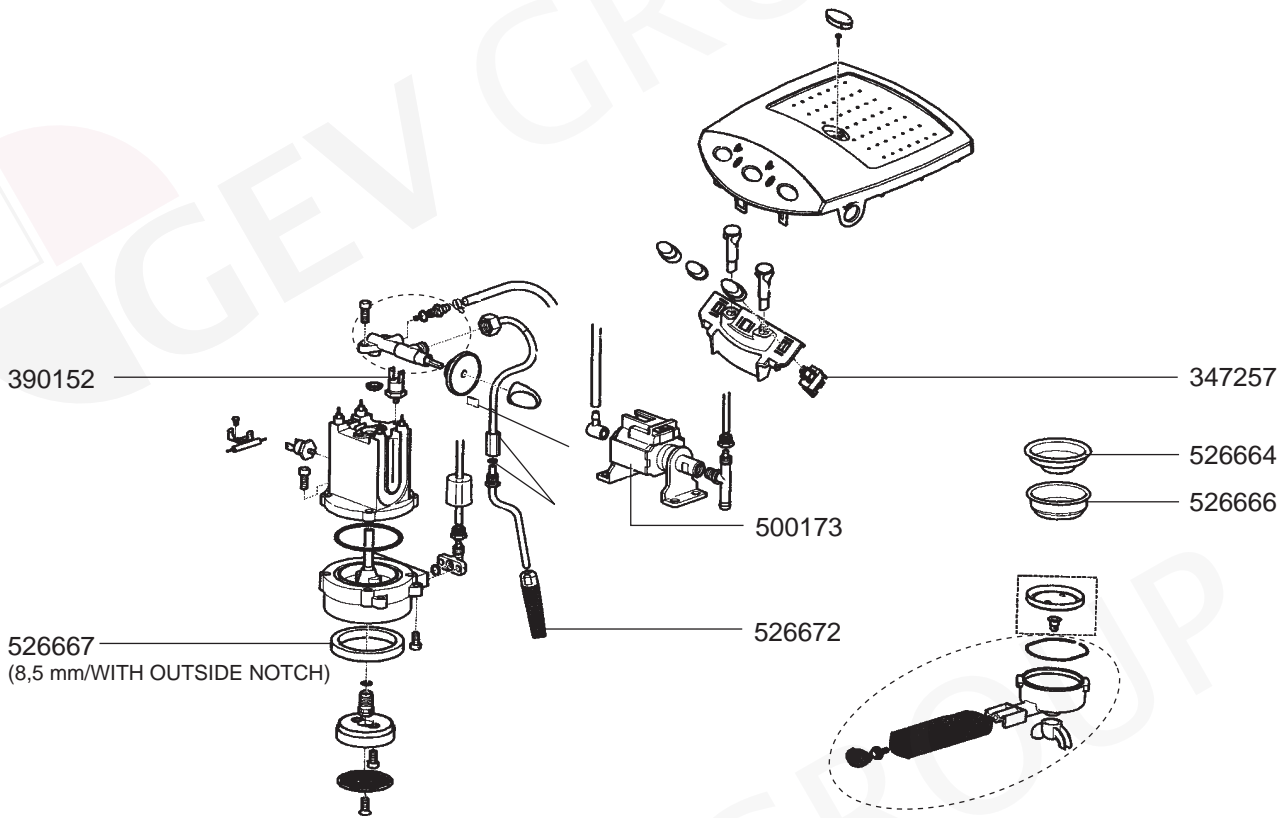
ELECTRICAL COMPONENTS DECO D-E



ELECTRICAL COMPONENTS TS



ELECTRICAL COMPONENTS EVOLUTION ESPRESSO



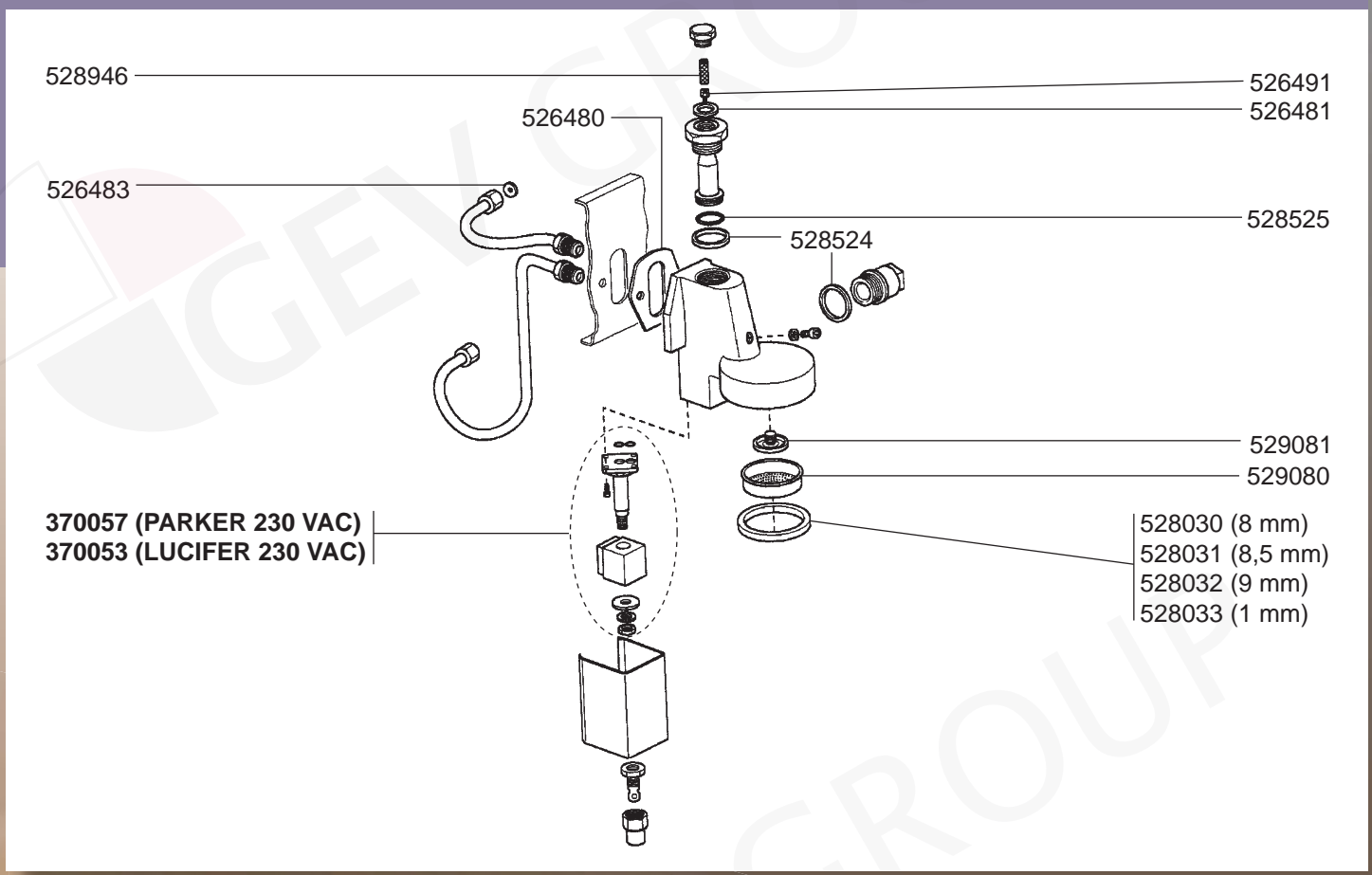
ELECTRICAL COMPONENTS VARIOUS



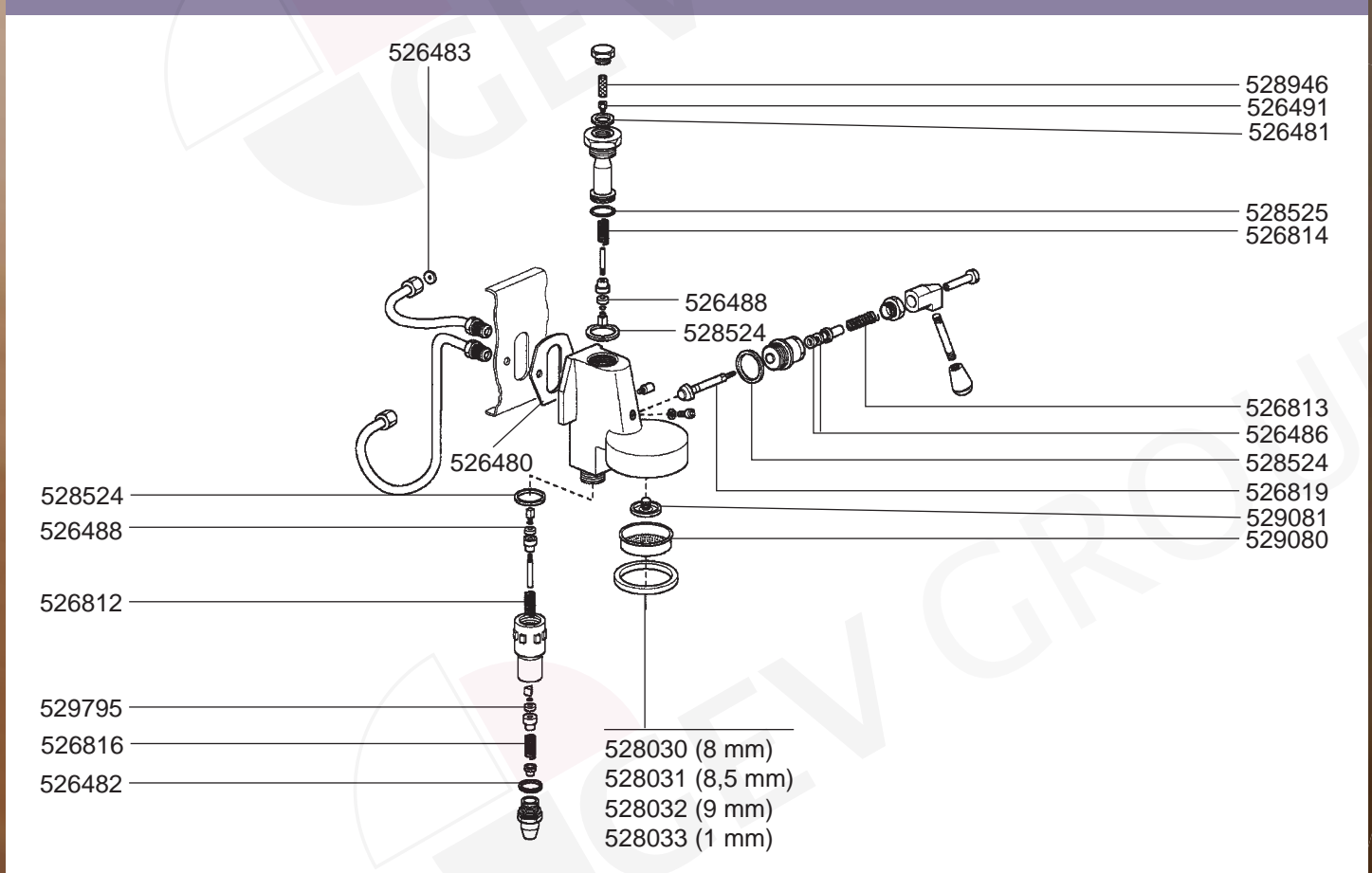
ELECTRICAL COMPONENTS VARIOUS



SOLENOID GROUP



MANUAL GROUP



FILTER HOLDERS



529058



529045



525977



529065 (Ø 1,1 mm)
525956 (Ø 1,2 mm)
529079 (Ø 1,3 mm)



529012 (6 GR)
529011 (7 GR)
527631 (8 GR)



529014 (12 GR)
529013 (14 GR)
529229 (21 GR)



529023



529024



802104
(Ø 49/53 mm)



802025
(Ø 53/57 mm)



802103
(PLASTIC)



802020
(STAINLESS
STEEL)



529063



529001



529003



529004



529007



527633



527634



529894



529161
(ADJUSTABLE)

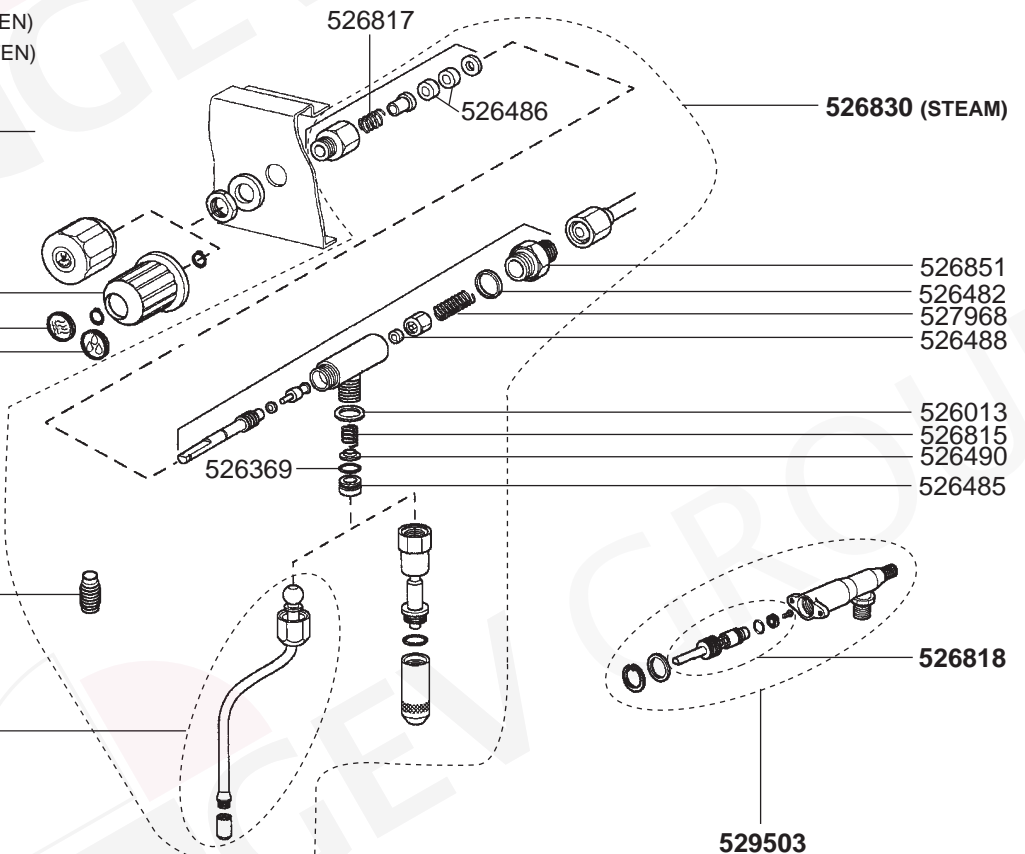
STEAM/WATER TAPS

- 111331 (WATER-ZOLA I-ECLISSE-TEN)
- 526828 (STEAM-ZOLA I-ECLISSE-TEN)
- 111332 (WATER-ZOLA II-TWENTY)
- 111347 (STEAM-ZOLA II-TWENTY)

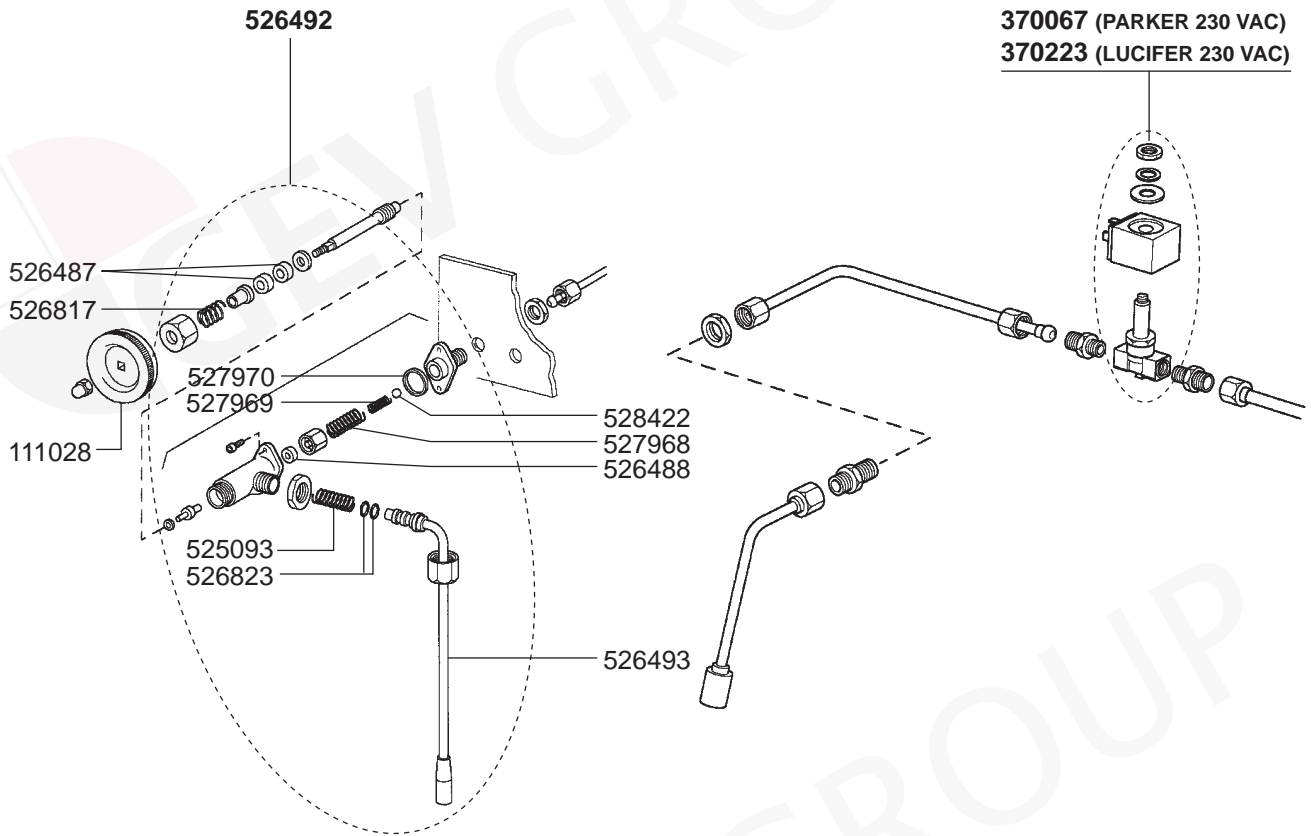
- 111349
- 111330

- 528625

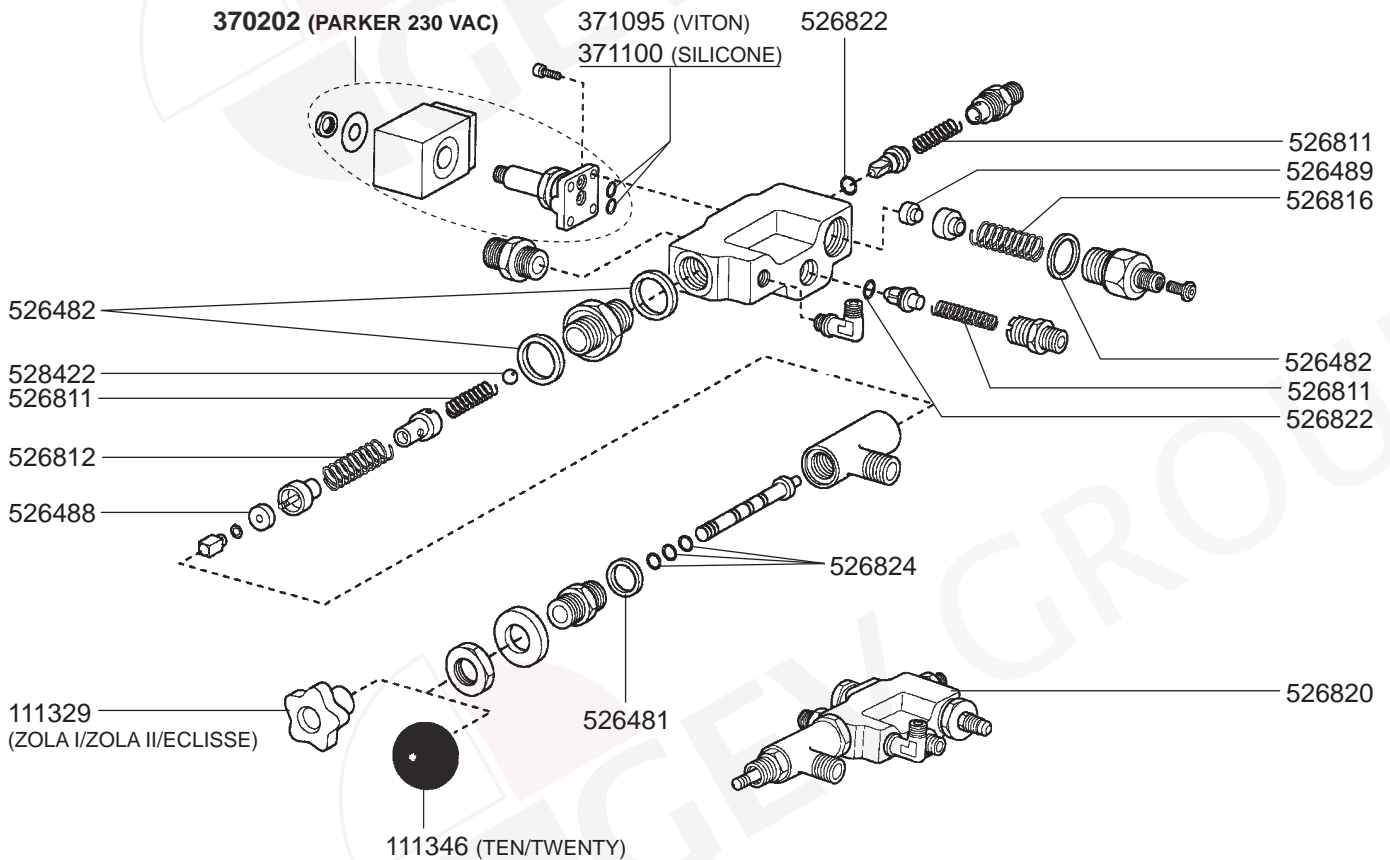
- 526494



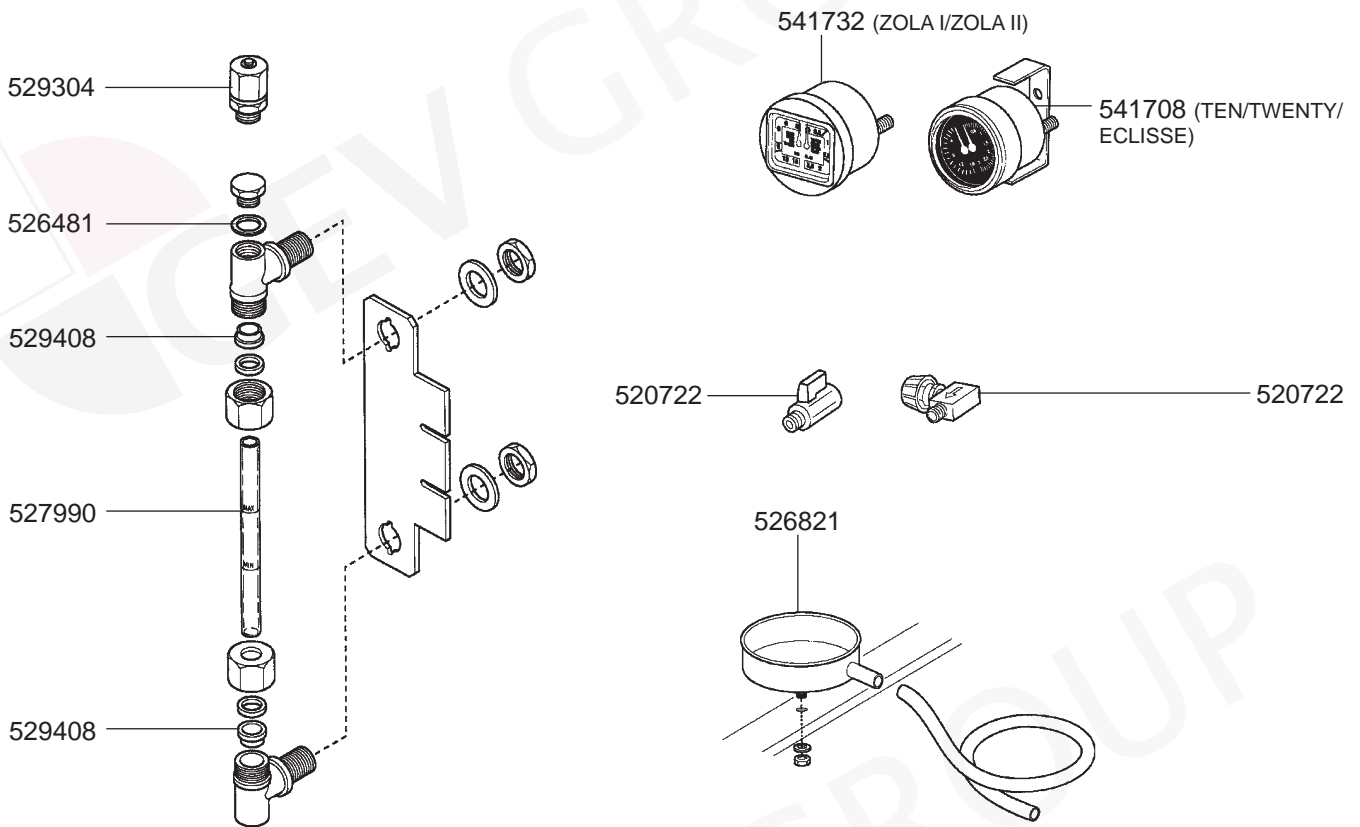
WATER TAPS



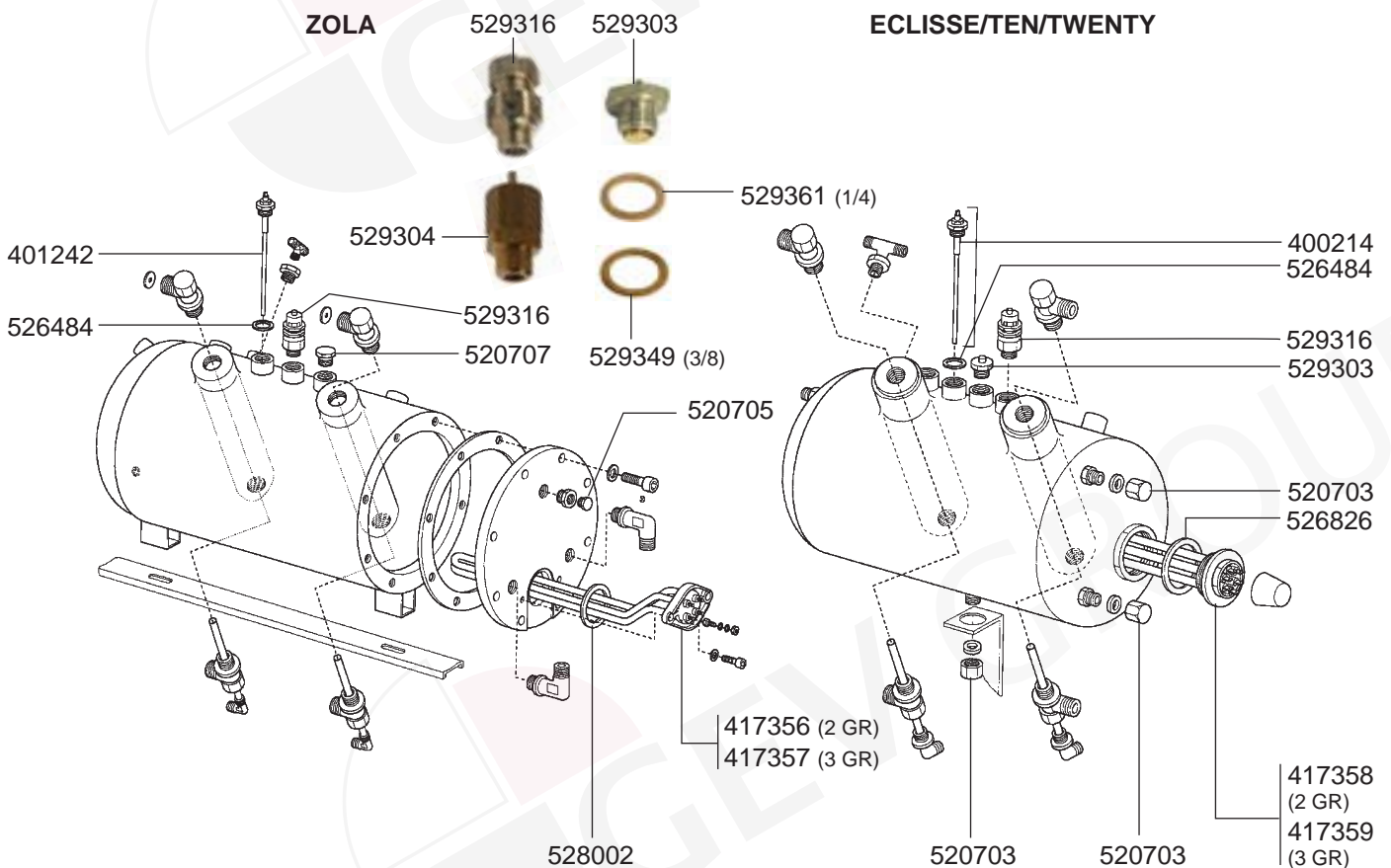
VALVES



LEVEL INDICATOR/MANOMETERS/DRIP TRAY



BOILER VARIOUS



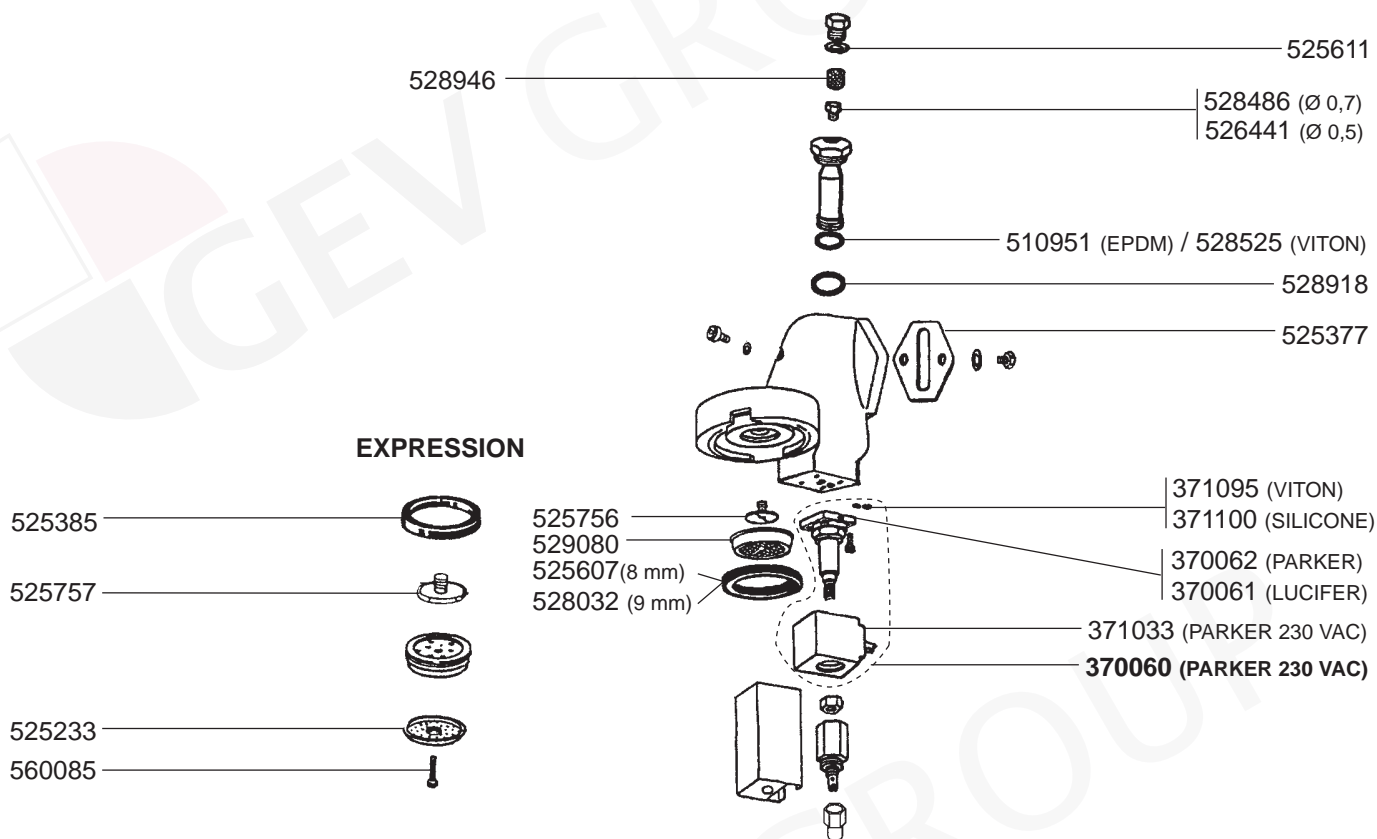
ELECTRICAL COMPONENTS



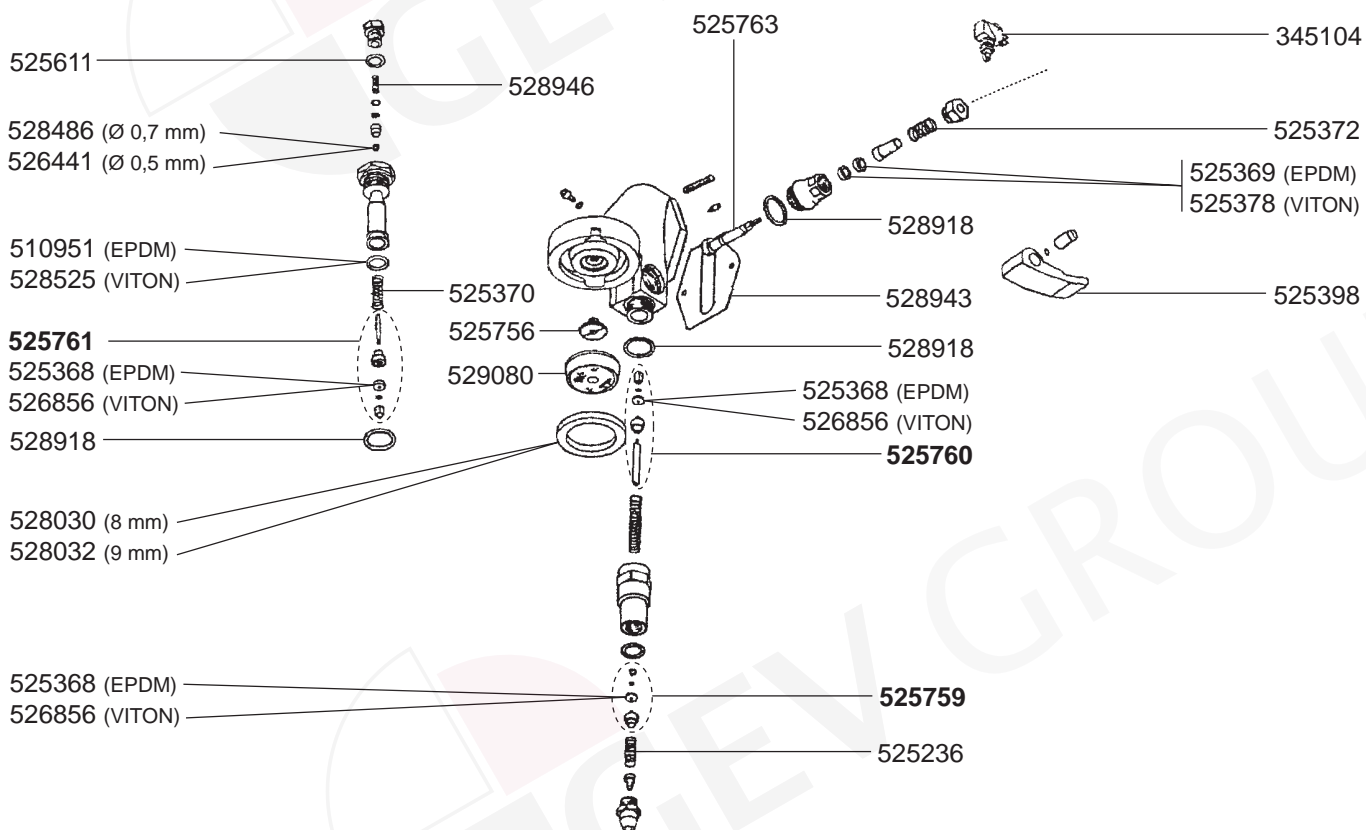
ELECTRICAL COMPONENTS VARIOUS



SOLENOID GROUP



MANUAL GROUP



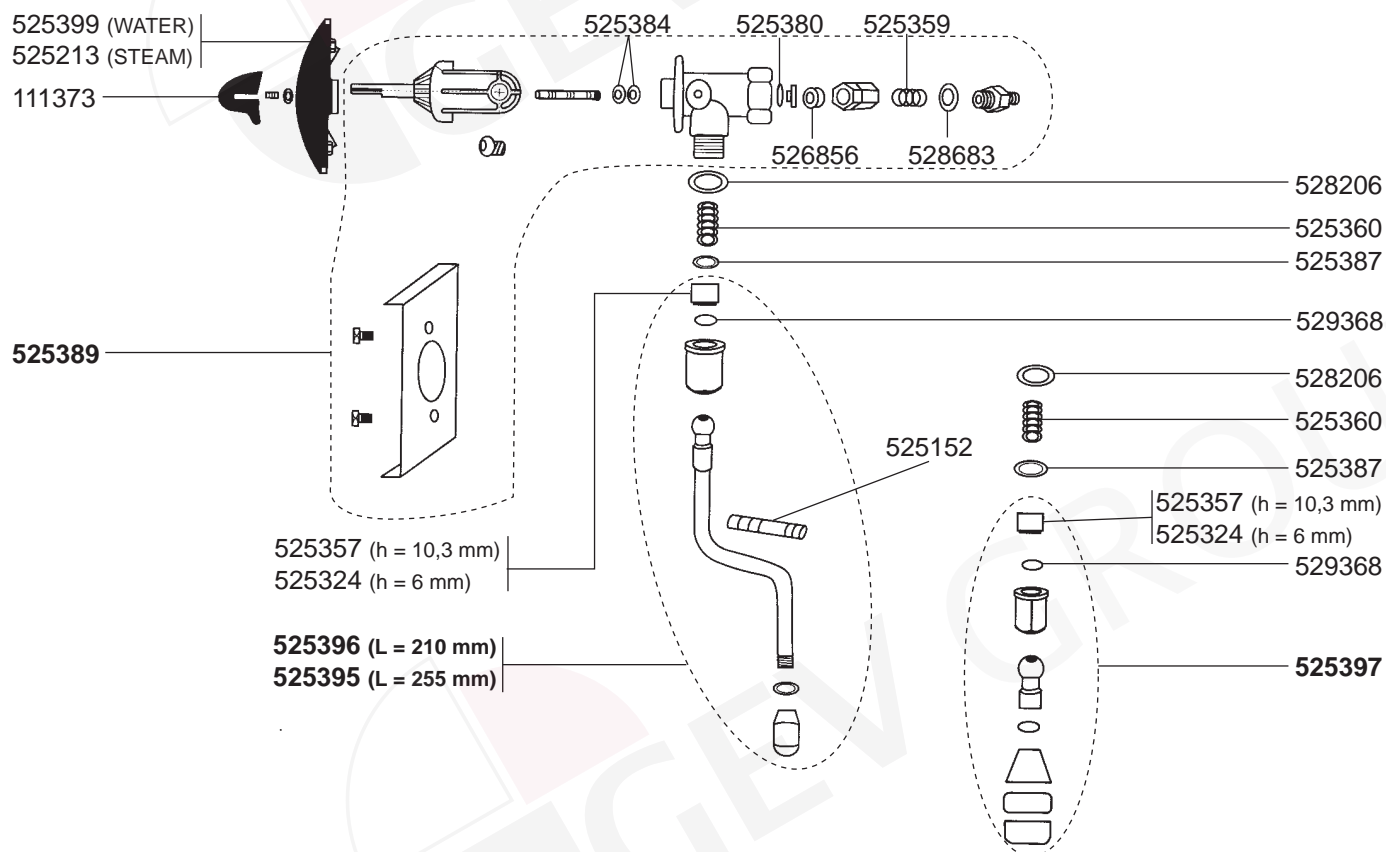
IBERITAL - ESPRESSO MACHINES

1
ESPRESSO MACHINES

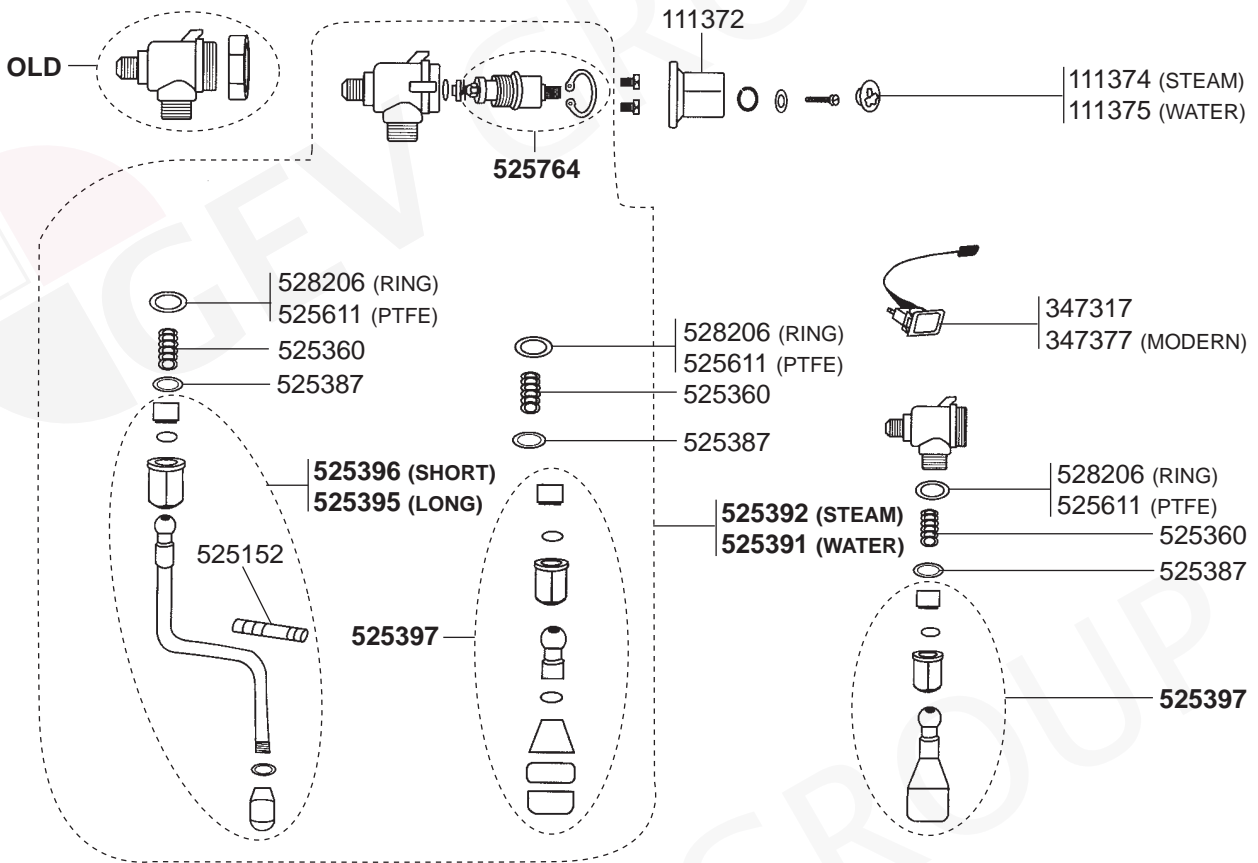
FILTER HOLDERS



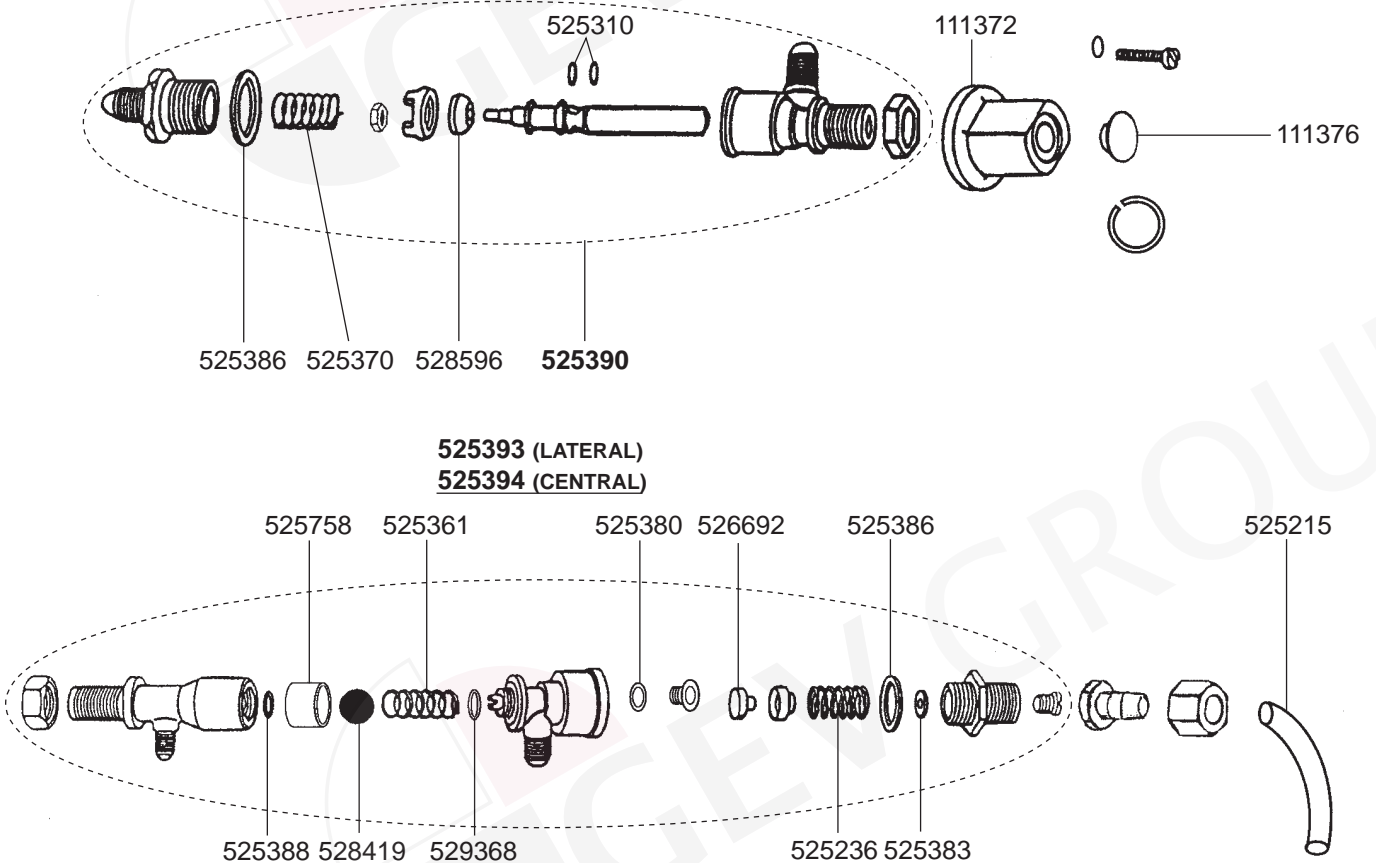
STEAM/WATER TAPS



STEAM/WATER TAPS



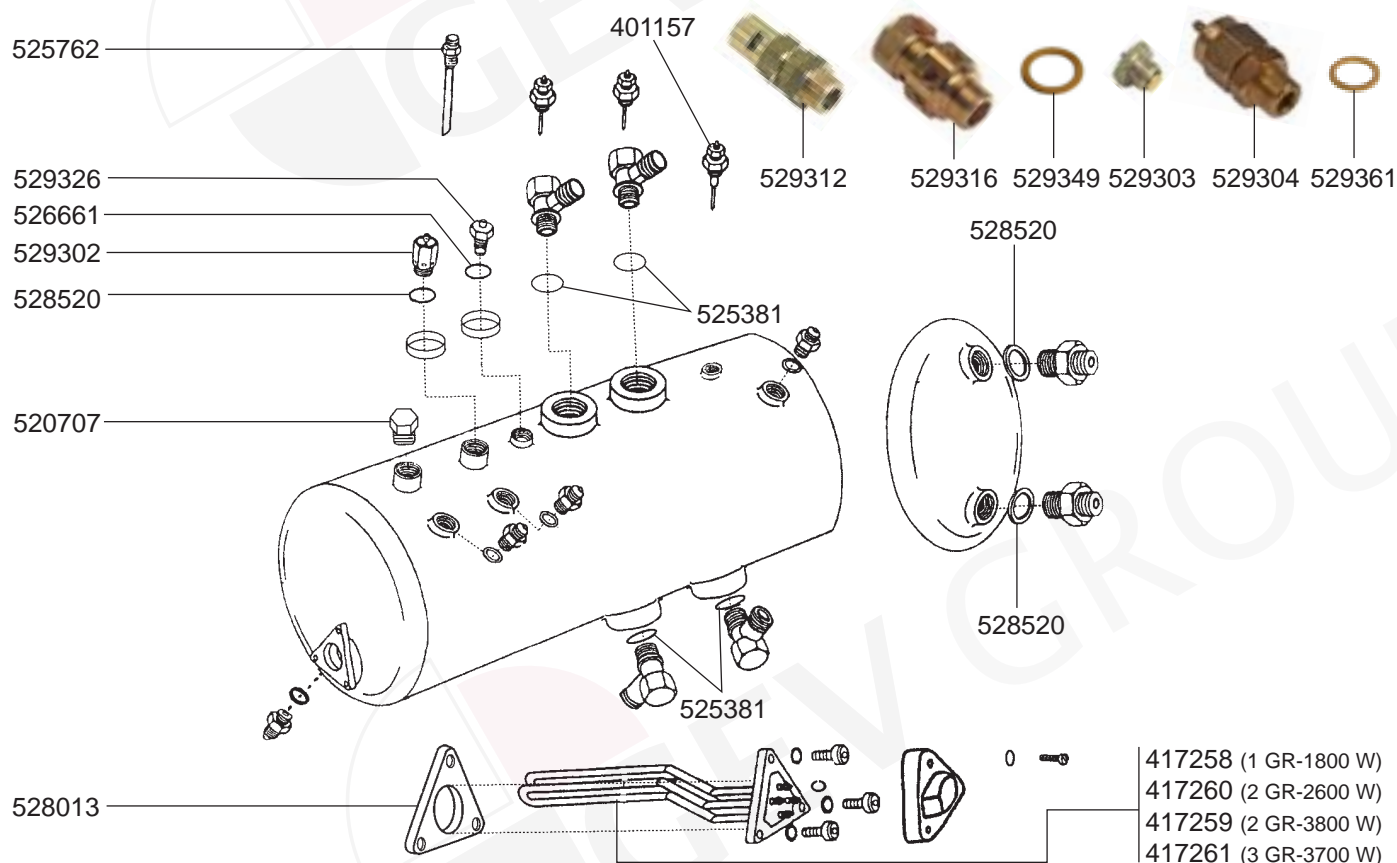
VALVES



LEVEL INDICATOR/MANOMETERS/DRIP TRAY



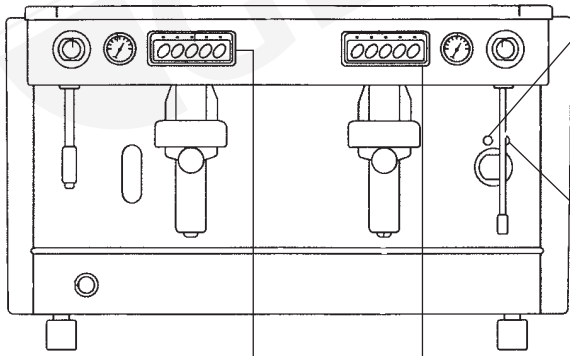
BOILER VARIOUS



ELECTRICAL COMPONENTS

L'ANNA

345151

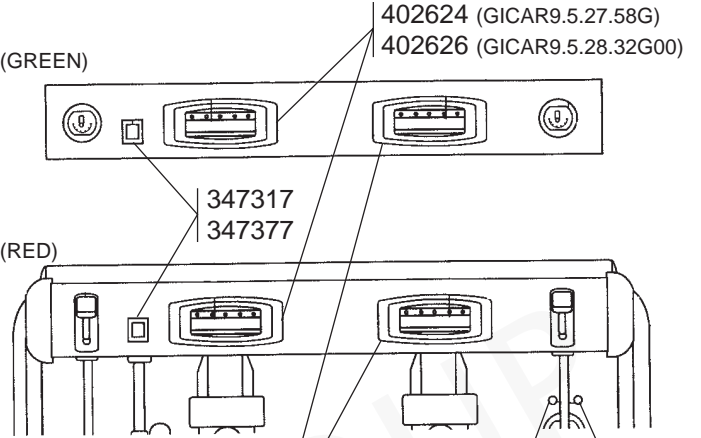


402636 (GICAR ref.9.5.27.62G)
402630 (GICAR ref.9.5.28.46G00)

402628 (GICAR REF.9.5.27.62G)
402629 (GICAR REF.9.5.28.46G00)

IBERITAL

345151



402625 (REF 9.5.27.56G)
402627 (REF 9.5.28.32G00)

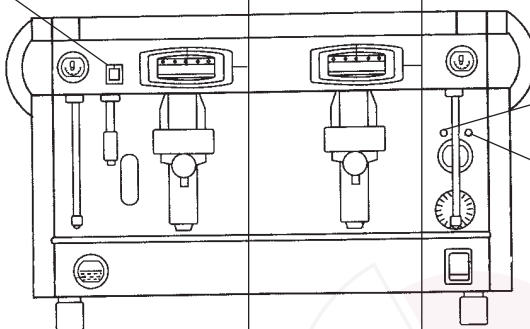
402624 (GICAR9.5.27.58G)
402626 (GICAR9.5.28.32G00)
359139 (GREEN)
359138 (RED)

ELECTRICAL COMPONENTS

MARLINC

347317 (OLD)
347377 (MODERN)

301002



402624 (GICAR REF 9.5.27.58G)
402626 (GICAR REF 9.5.28.32G00)

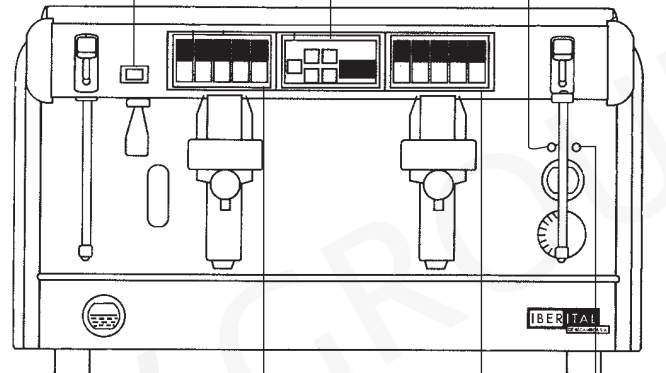
402625 (GICAR REF 9.5.27.56G)
402627 (GICAR REF 9.5.28.32G00)

359139 (GREEN)
359138 (RED)

EXPRESSION

347317 (OLD)
347377 (MODERN)

402633 (GICAR ref.9.5.20.25G)
402634 (MEMBRANE)



402632 (GICAR ref.9.5.28.54G00)
525374 (MEMBRANE)

402631 (GICAR ref.9.5.28.54G00)
525374 (MEMBRANE)

359138 (RED)

ELECTRICAL COMPONENTS

EXPRESSION



400521



525376



370598

1 GR PORTABLE



541750



541104



400404
(L = 240 mm)
401363
(L = 110 mm)



499054



520250



402623 (GICAR ref.9.5.37.02G)



400226



380379



402568

ELECTRICAL COMPONENTS VARIOUS



400004



400256



400257



400258



541021
(SIRAI,
30 AMP,
3 POLES)



541724
(SIRAI,
20 AMP,
3 POLES)



541723
(SIRAI,
20 AMP,
2 POLES)



541453
(PARKER)



370057
(PARKER
230 VAC)



370062
(PARKER)



370206
(PARKER
230 VAC-1/8'')



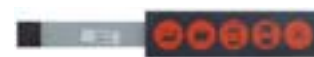
371029
(PARKER
230 VAC)



371090



371095 (VITON)



400509 (RED)
402635 (SILVER)



525212 (IBERITAL)
525373 (ANNA)



380923 (25 A)
380924 (32 A)



380458 (20 A)
380922 (20 A)



400418
(GICAR REF. 9.1.40.23G00)



347379

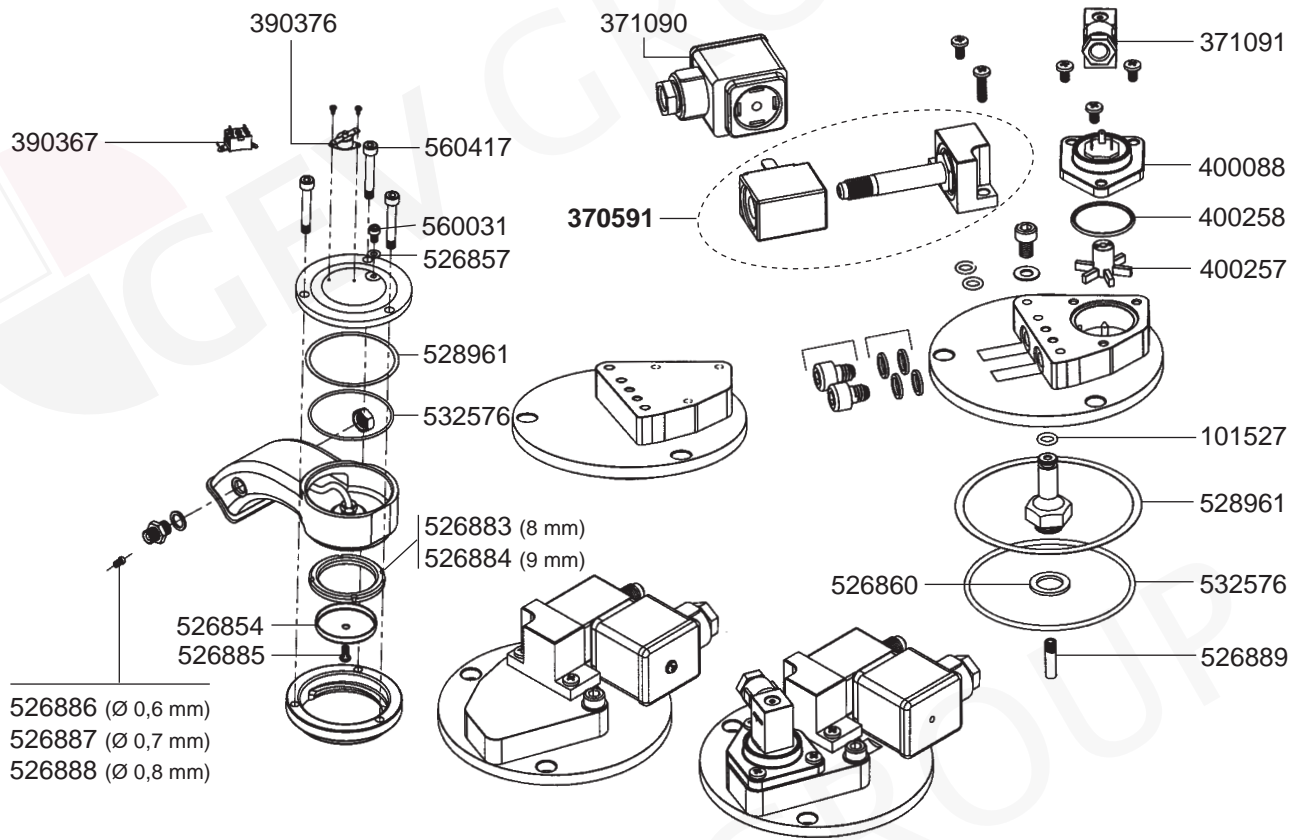


347380 (0-1-2)
347378 (0-1-2-3)

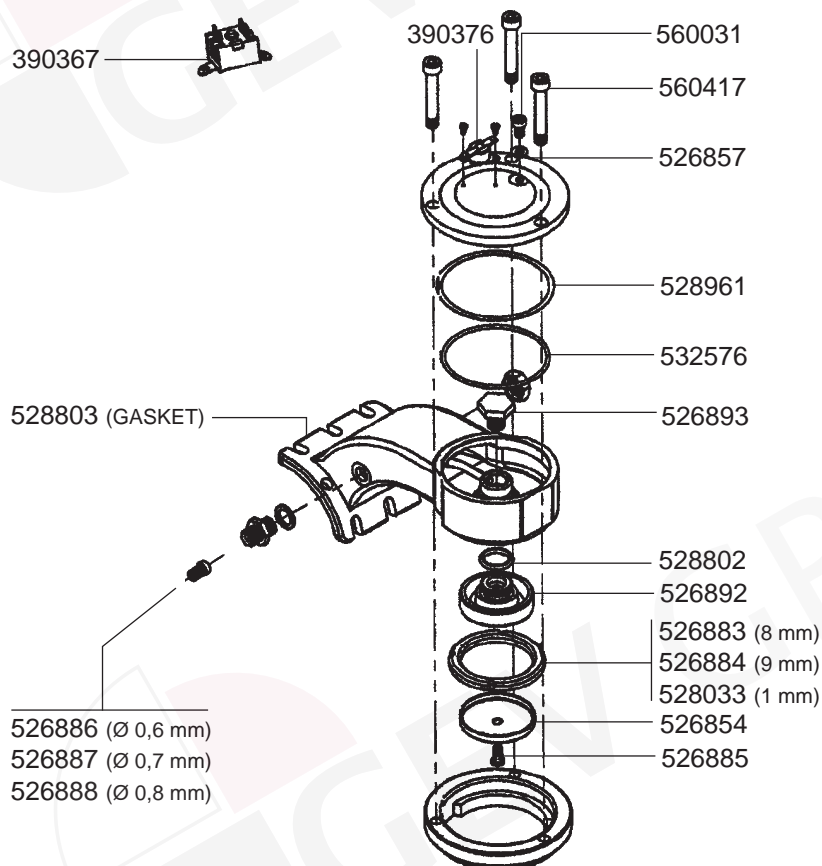


390324 (3 POLES)
375898 (1 POLES)

GB5/FB80/MISTRAL/GS3 GROUP



LINEA/FB70 GROUP



FILTER HOLDERS



529204
(M-12)



529045



525982



529205
(M-10 15°)



529053



529983



529012 (6 GR)

529011 (7 GR)

526897 (7 GR ORIGINAL)



529014 (12 GR)

529013 (14 GR)

526898 (14 GR ORIGINAL)



529023



529024
(BLIND)



802020
(STAINLESS
STEEL)



802103
(PLASTIC)



802025
(Ø 53/57 mm)



802104
(Ø 49/53 mm)



529063



529001



529003



529004



529007

527633



527634

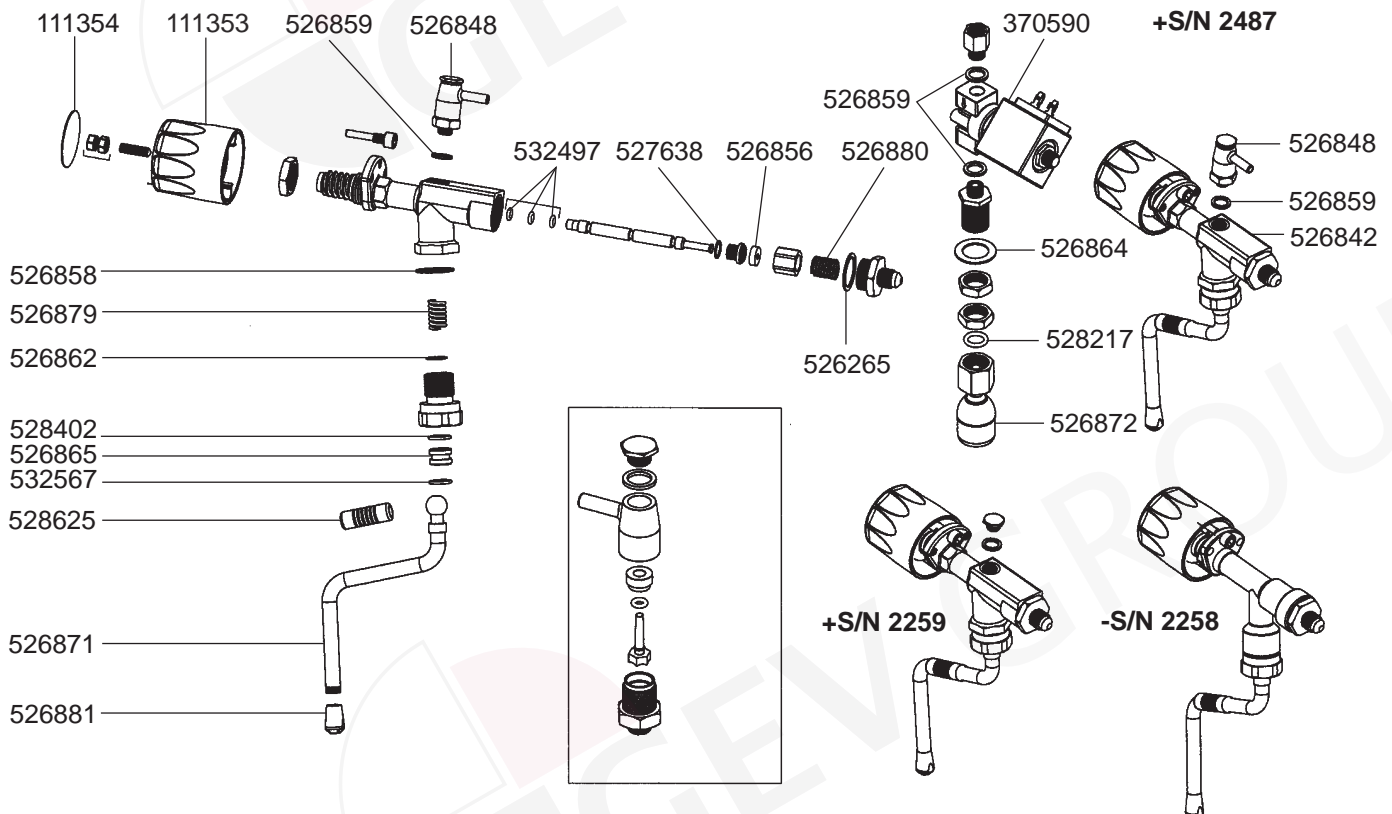


529894

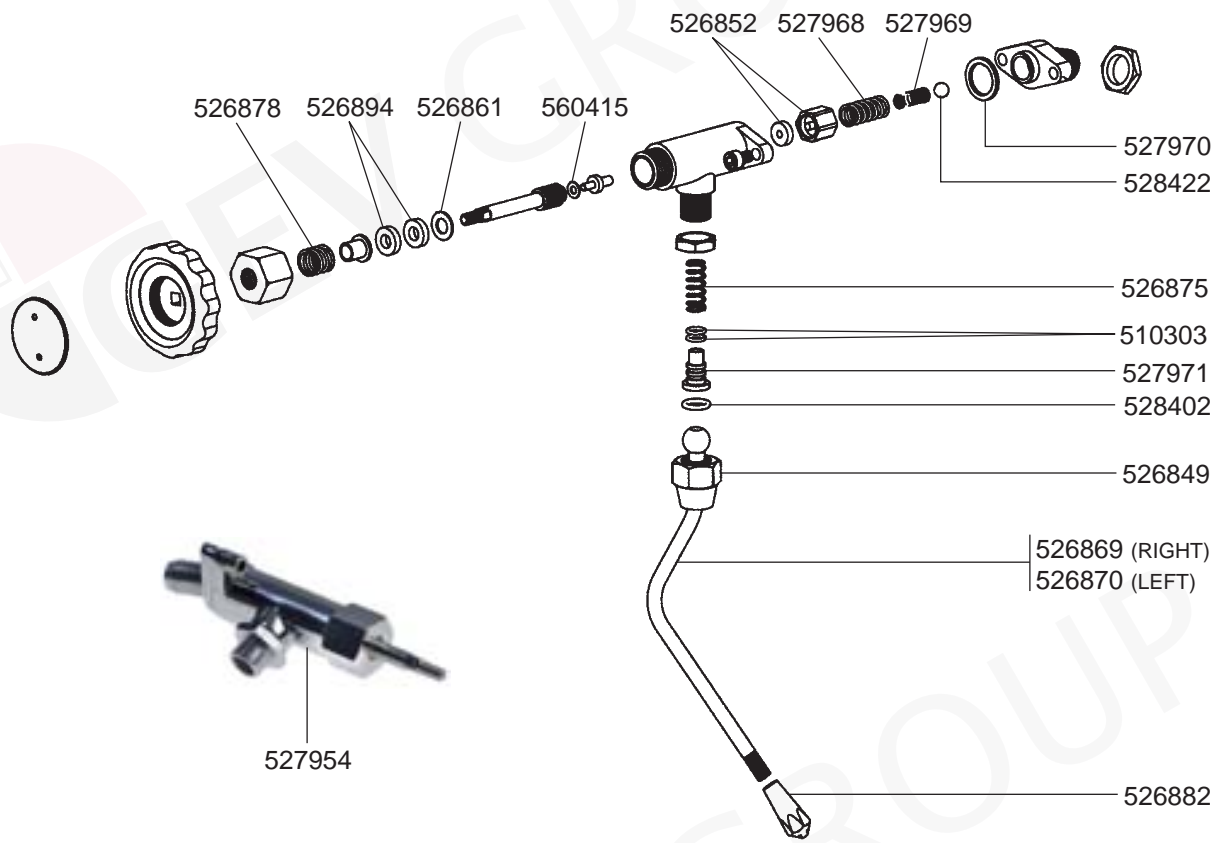


529161
(ADJUSTABLE)

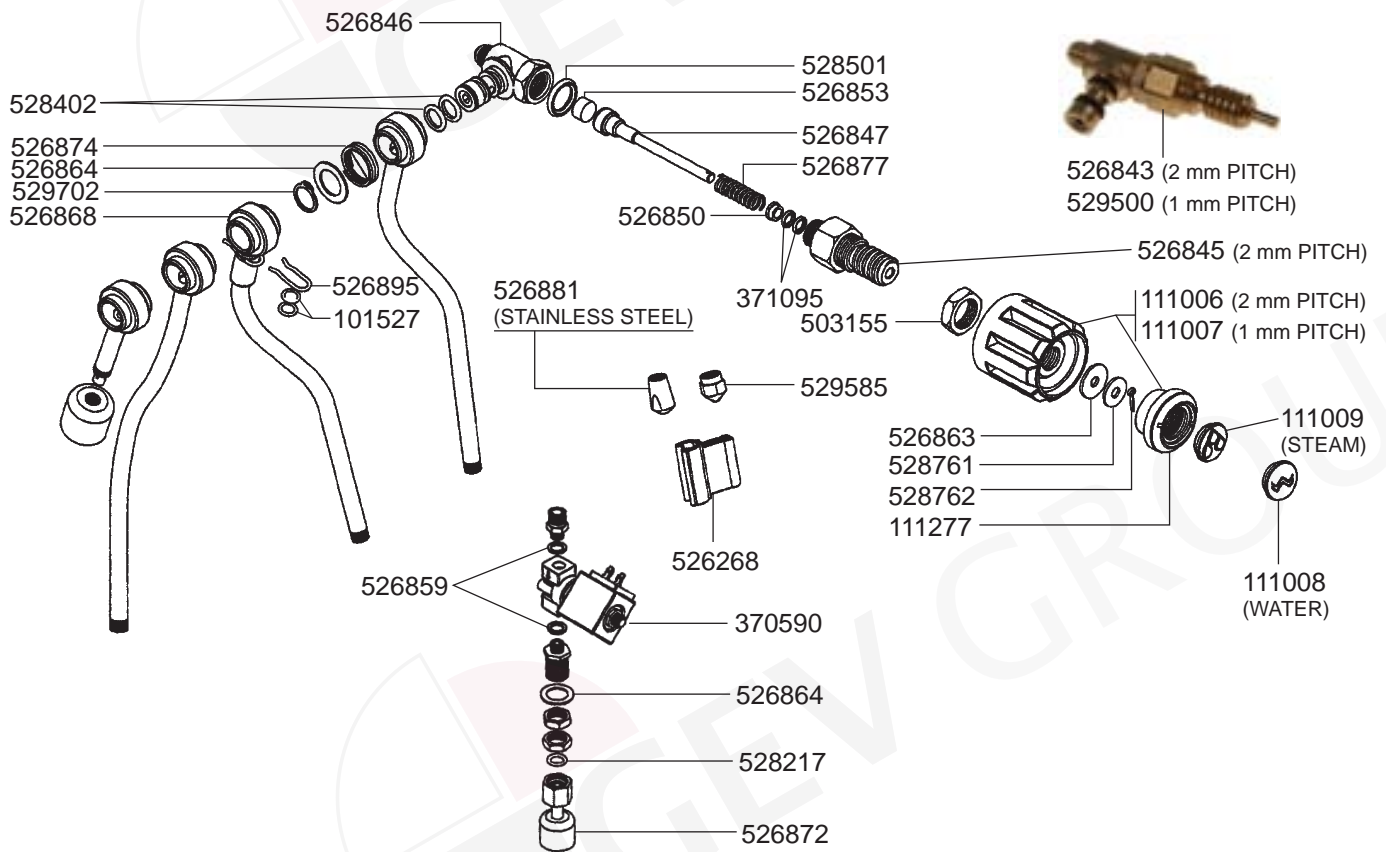
STEAM/WATER TAPS GB5-FB80



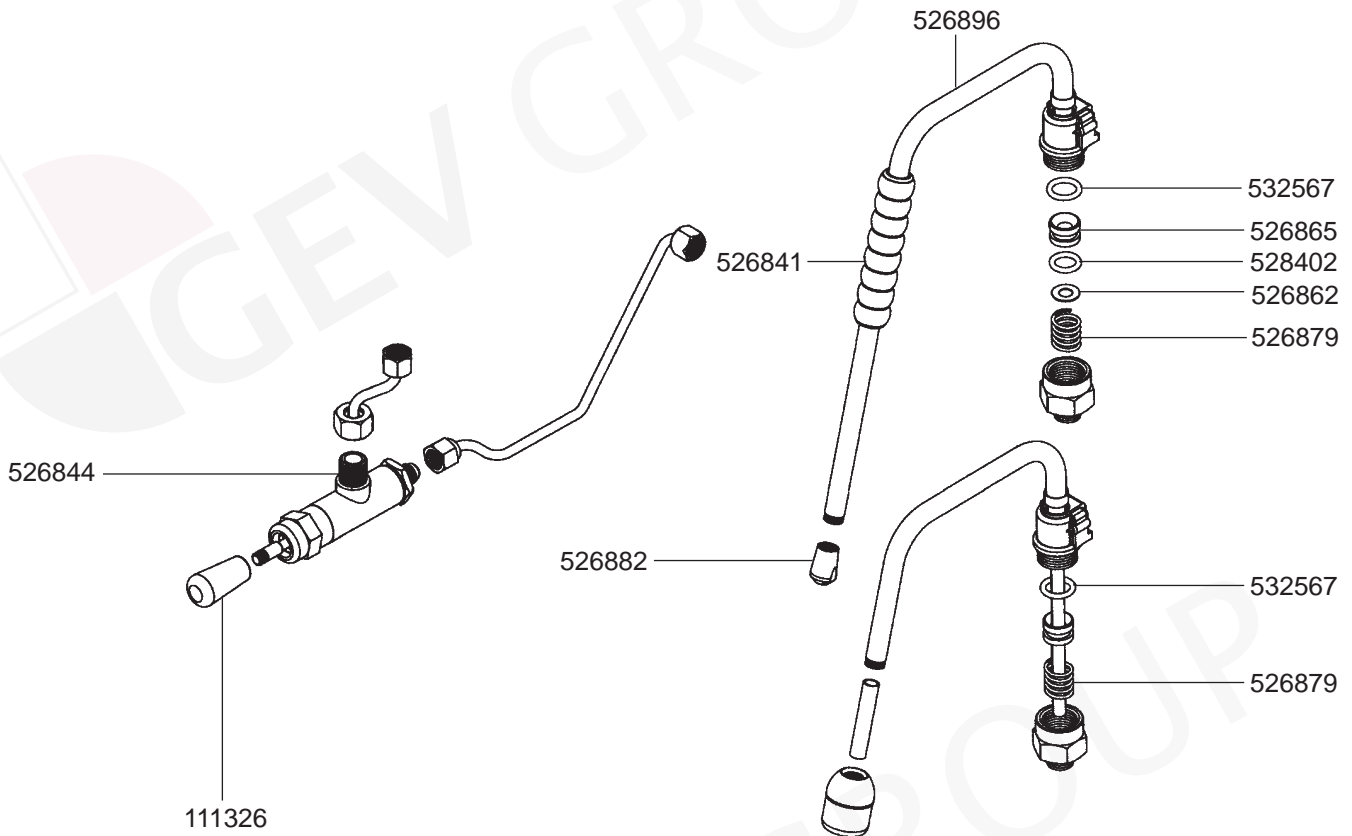
STEAM TAP MISTRAL



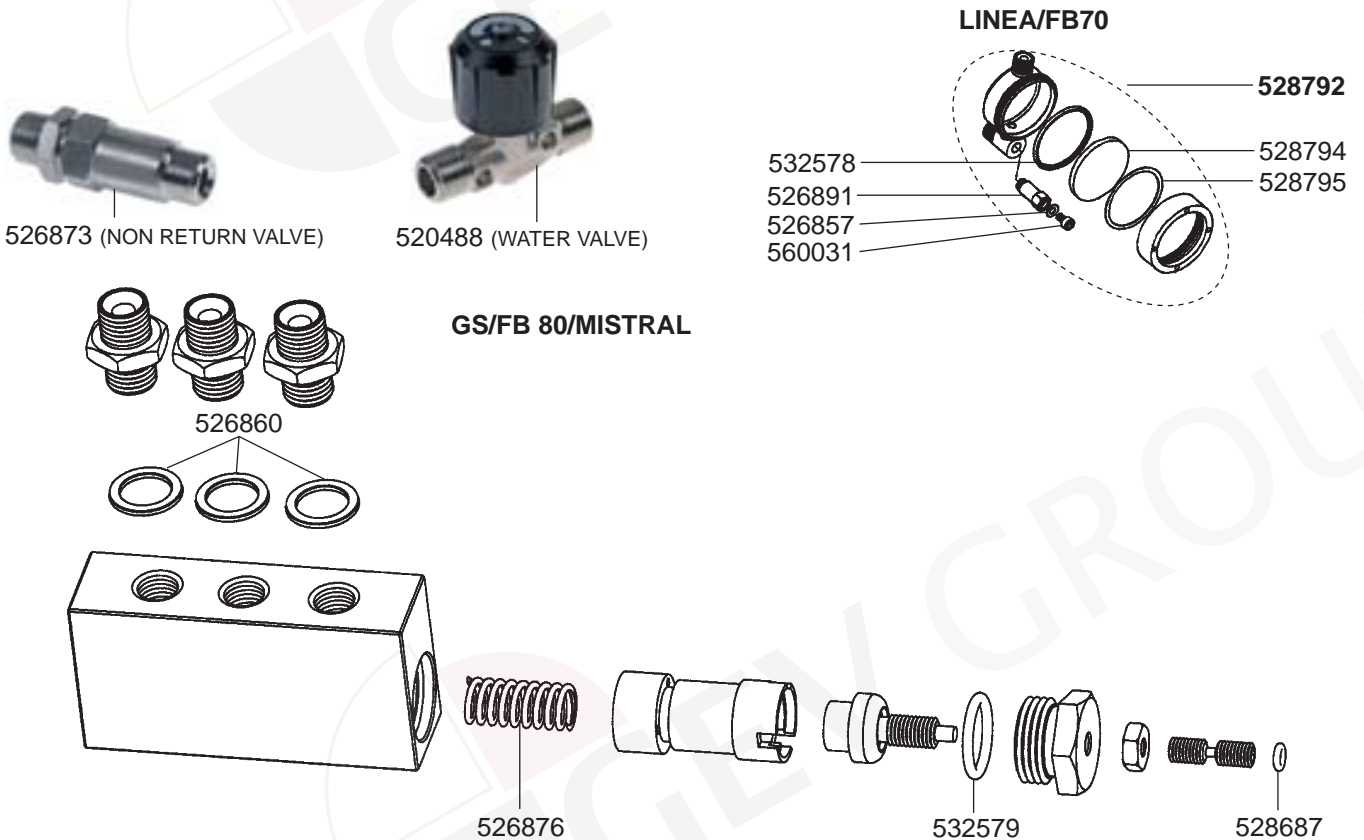
STEAM/WATER TAPS LINEA-FB70



STEAM/WATER TAPS GS3



VALVES/LEVEL INDICATOR



MANOMETERS/DRIP TRAYS



541761 (0-3 BAR)

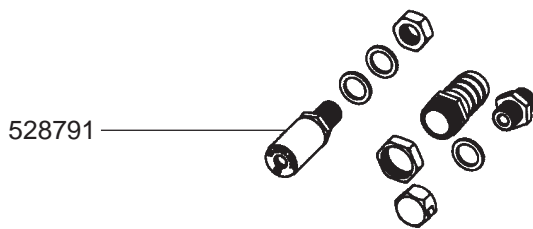


541760 (0-15 BAR)



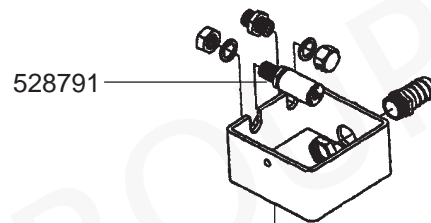
541202

GB5/FB80



528791

LINEA/FB70



528791

526866

BOILER VARIOUS



529312 (3/8")



529316 (3/8")



529303 (1/4")

529361 (1/4")

529349 (3/8")



528171



417395 (2 GR-1400 W-230 VAC)
417129 (3 GR-1600 W-230 VAC)
417400 (3 GR-1900 W-230 VAC)

COFFEE



528171



417125 (2 GR-2000 W-230 VAC)
417399 (3 GR-3000 W-230 VAC)
417398 (2 GR-3000 W-230 VAC)
417128 (3 GR-4000 W-230 VAC)

STEAM



528171



417045 (1 GR-1800 W-230 VAC-L = 160 mm)
417080 (2 GR-2400 W-230 VAC L = 240 mm)
417125 (2 GR-2000 W-230 VAC L = 290 mm)
417047 (2 GR-3000 W-230/400 VAC L = 410 mm)
417128 (3/4 GR-4000 W-230 VAC L = 500 mm)

VARIOUS

LEVEL PROBE
LA052 (L = 100 mm)
LA052 (L = 110 mm)

COFFEE



532580 (+S/N 126)
526855 (-S/N 125)



417396 (GS3)

STEAM



532580 (+S/N 126)
526855 (-S/N 126)



417397 (GS3)

VARIOUS

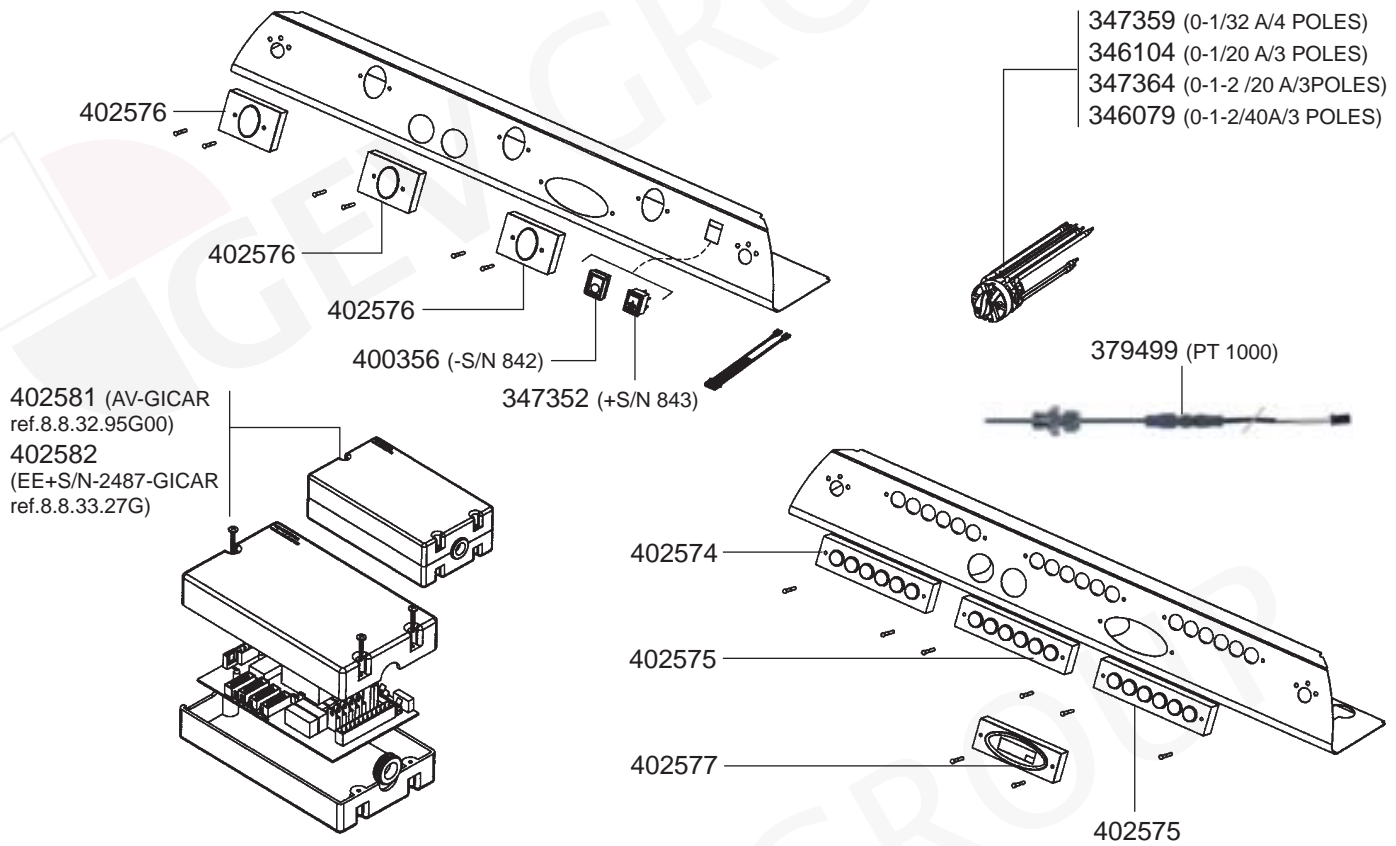


417126
(1 GR-1300 W-230 VAC L = 200 mm)

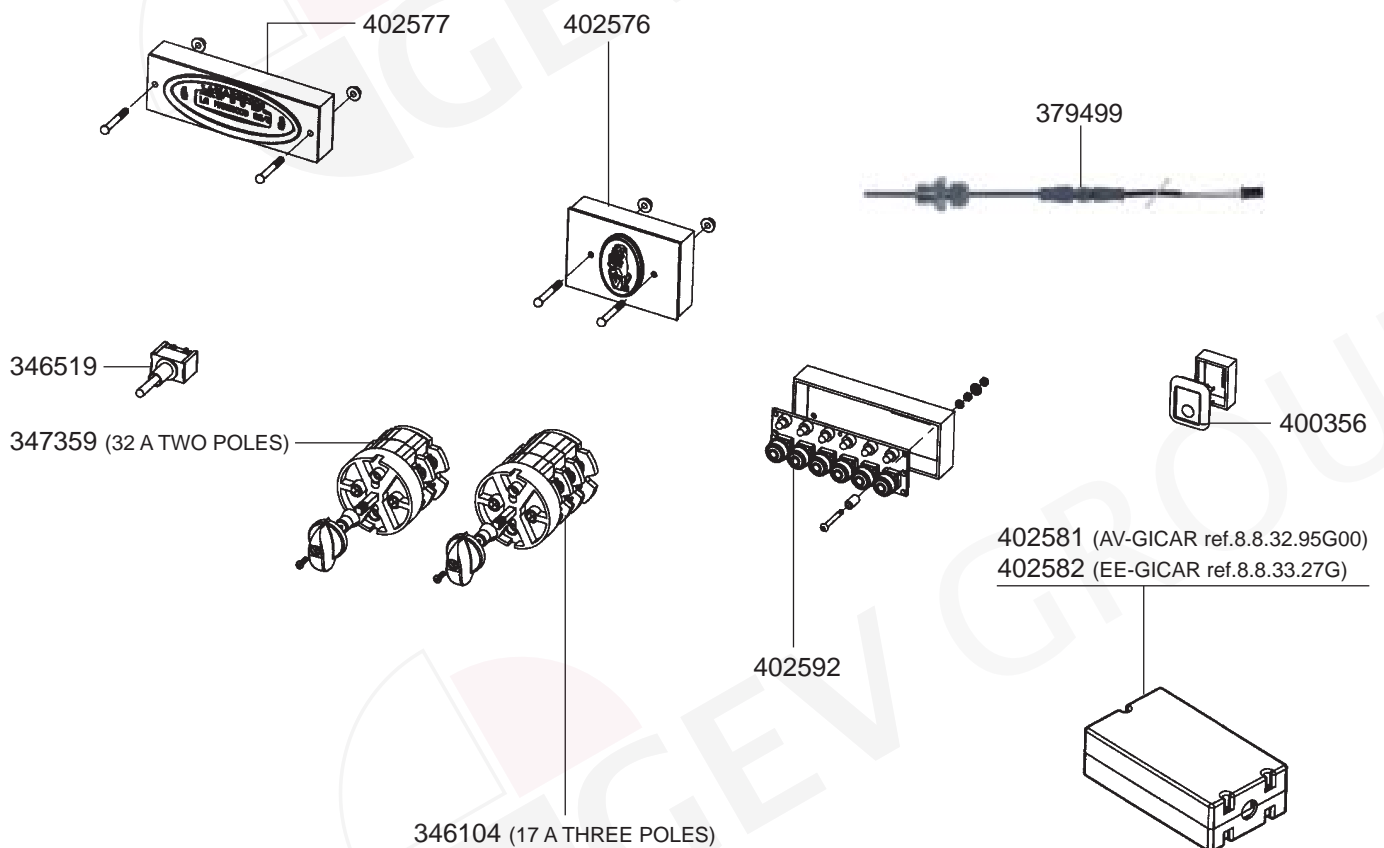


528789

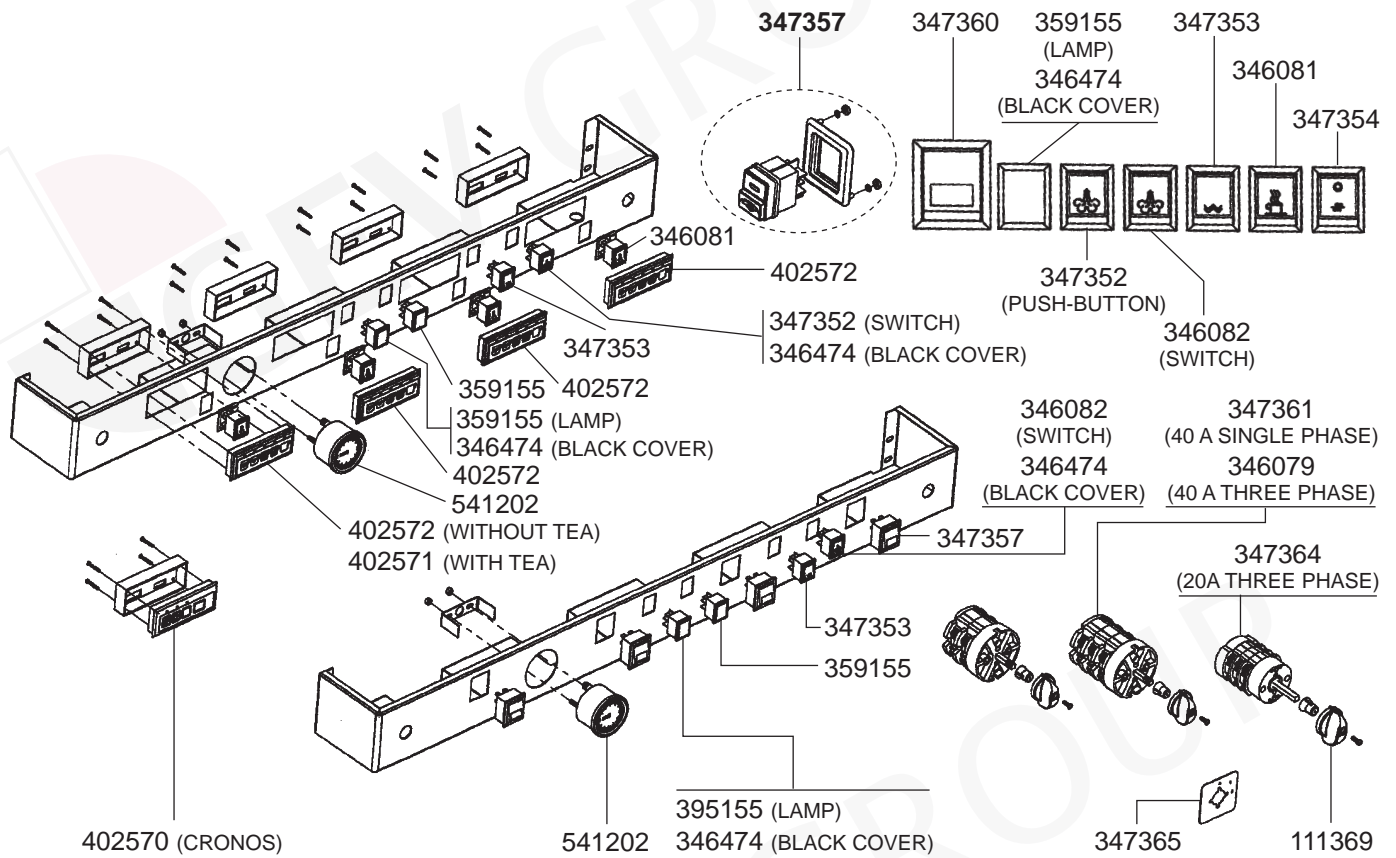
ELECTRICAL COMPONENTS GB5/FB80



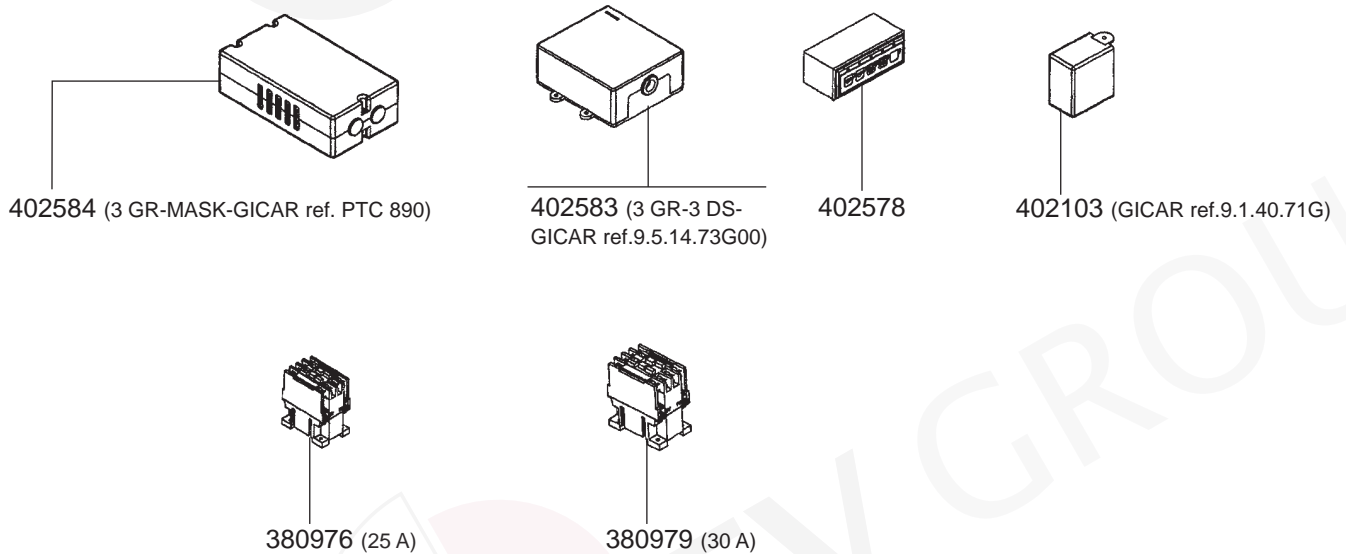
ELECTRICAL COMPONENTS MISTRAL



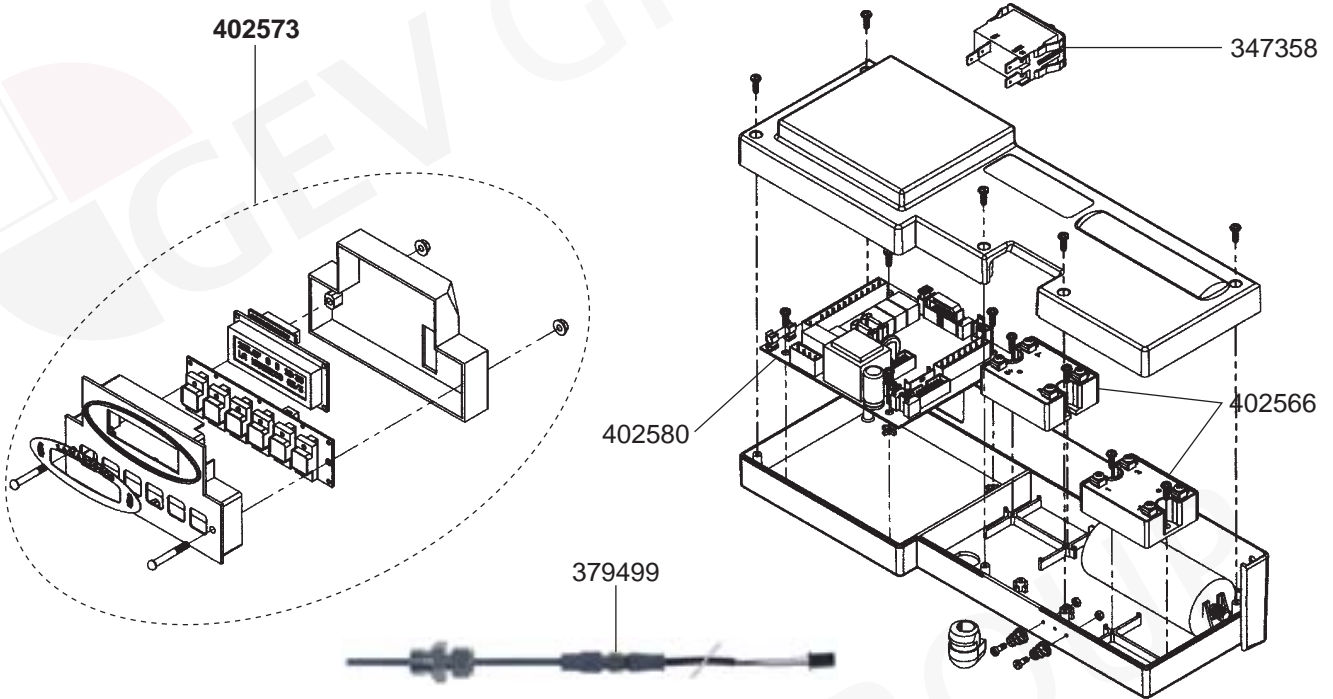
ELECTRICAL COMPONENTS LINEA/FB70



ELECTRICAL COMPONENTS LINEA/FB70



ELECTRICAL COMPONENTS GS3



ELECTRICAL COMPONENTS VARIOUS



ELECTRICAL COMPONENTS VARIOUS



346081



346082



346083



359155



402103
(GICAR REF. 9.1.40.71G)

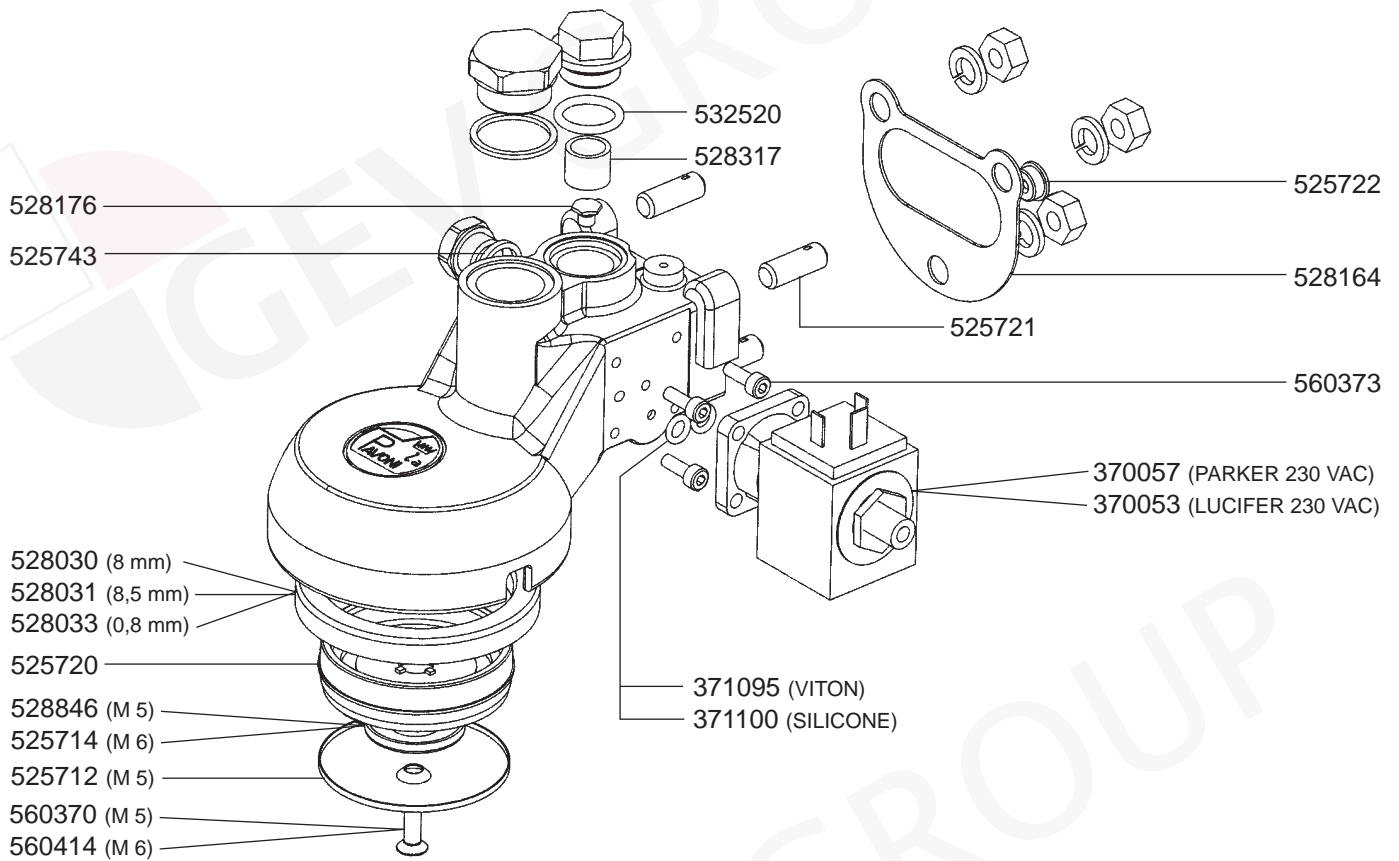


400452
(GICAR REF. 9.9.12.08G)

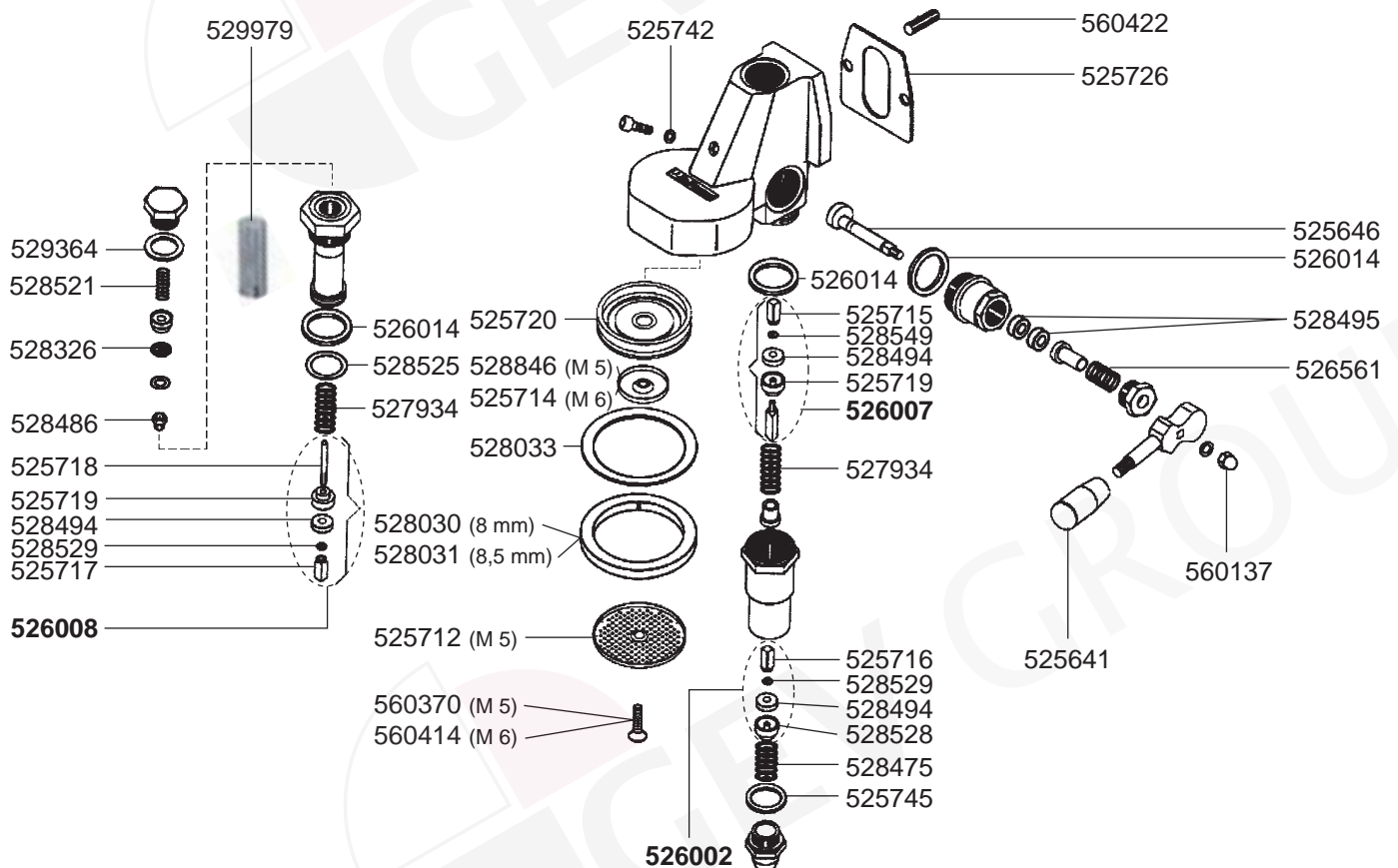


400453
(GICAR REF. 9.9.10.42.G)

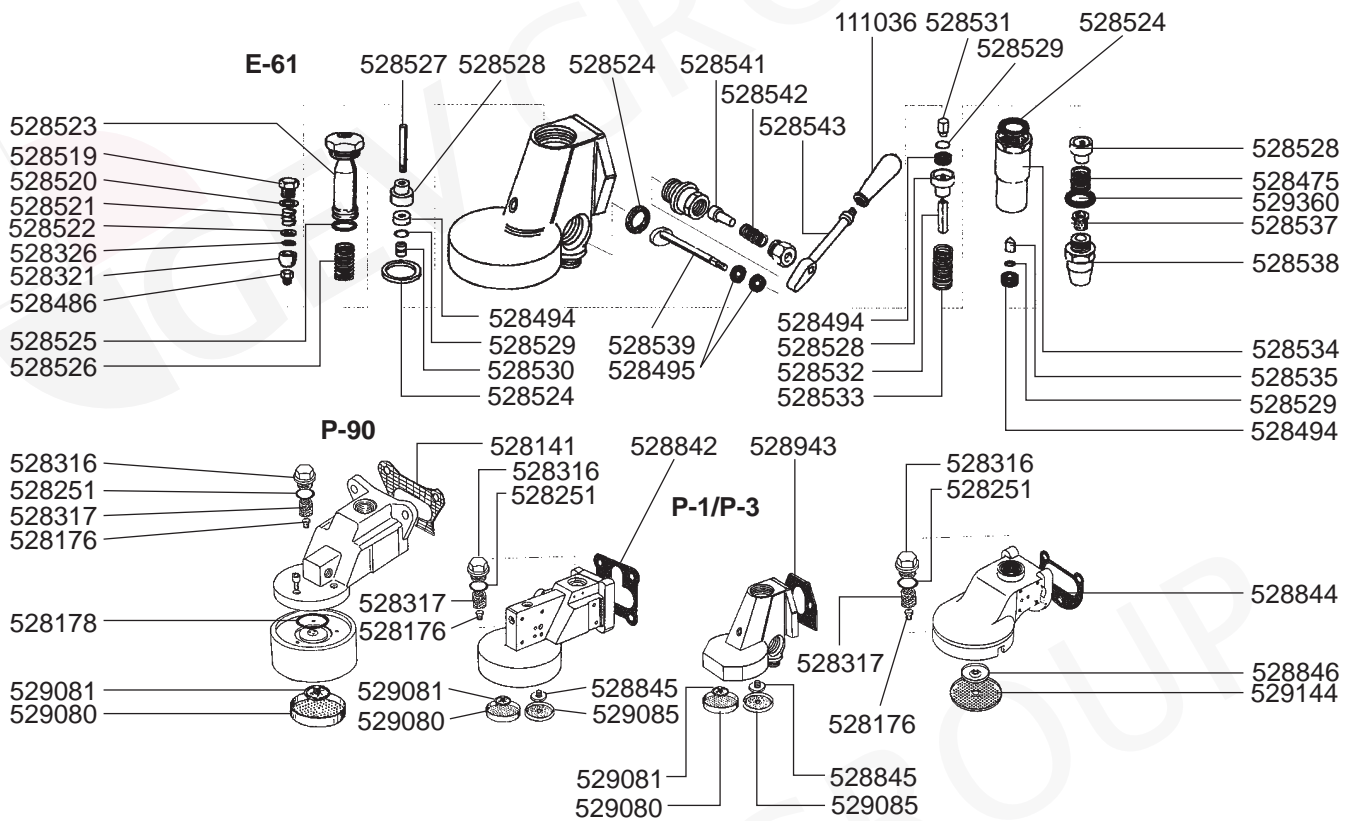
SOLENOID GROUP



MANUAL GROUP



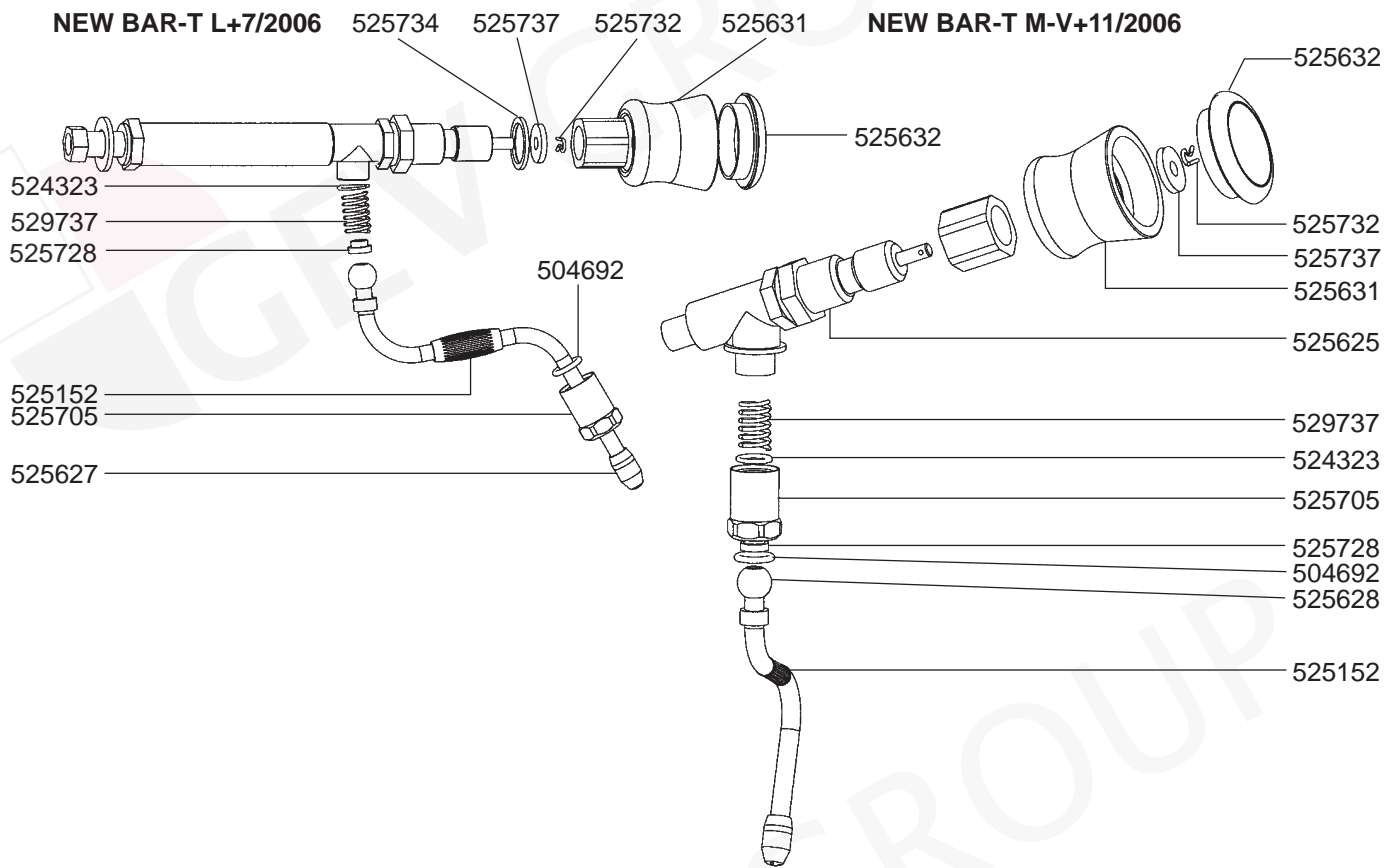
OLD MODEL GROUPS



FILTER HOLDERS

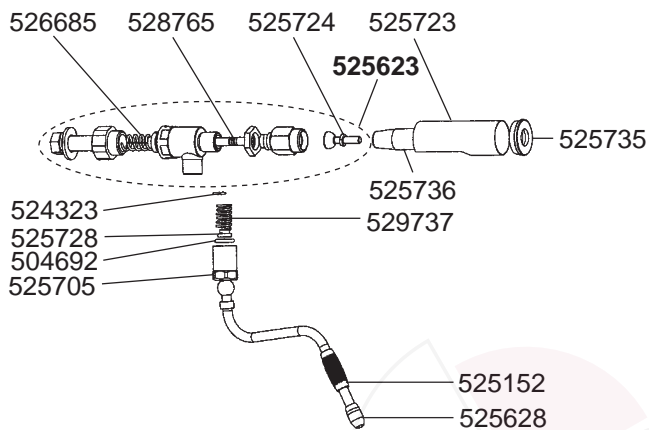


STEAM TAP NEW BAR-T L+7/2006 - NEW BAR-T M-V +11/2006

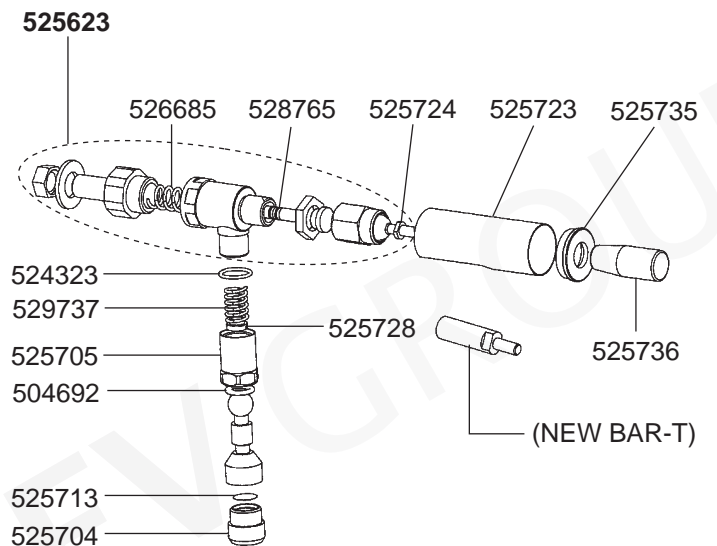


STEAM/WATER TAPS PUB 1S/PUB 2S/BAR/HOTEL/NEW BAR-T +7/2008

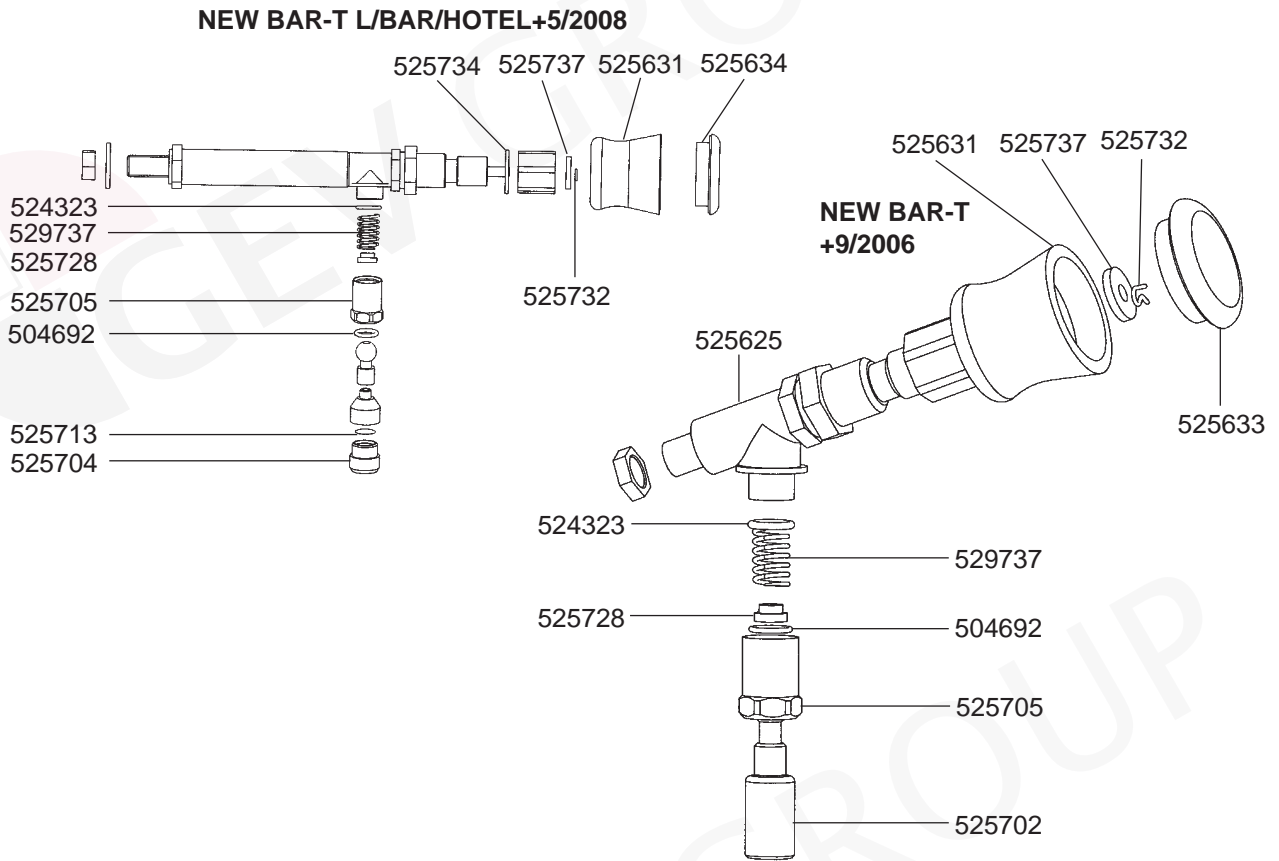
**PUB 1S
PUB 2S**



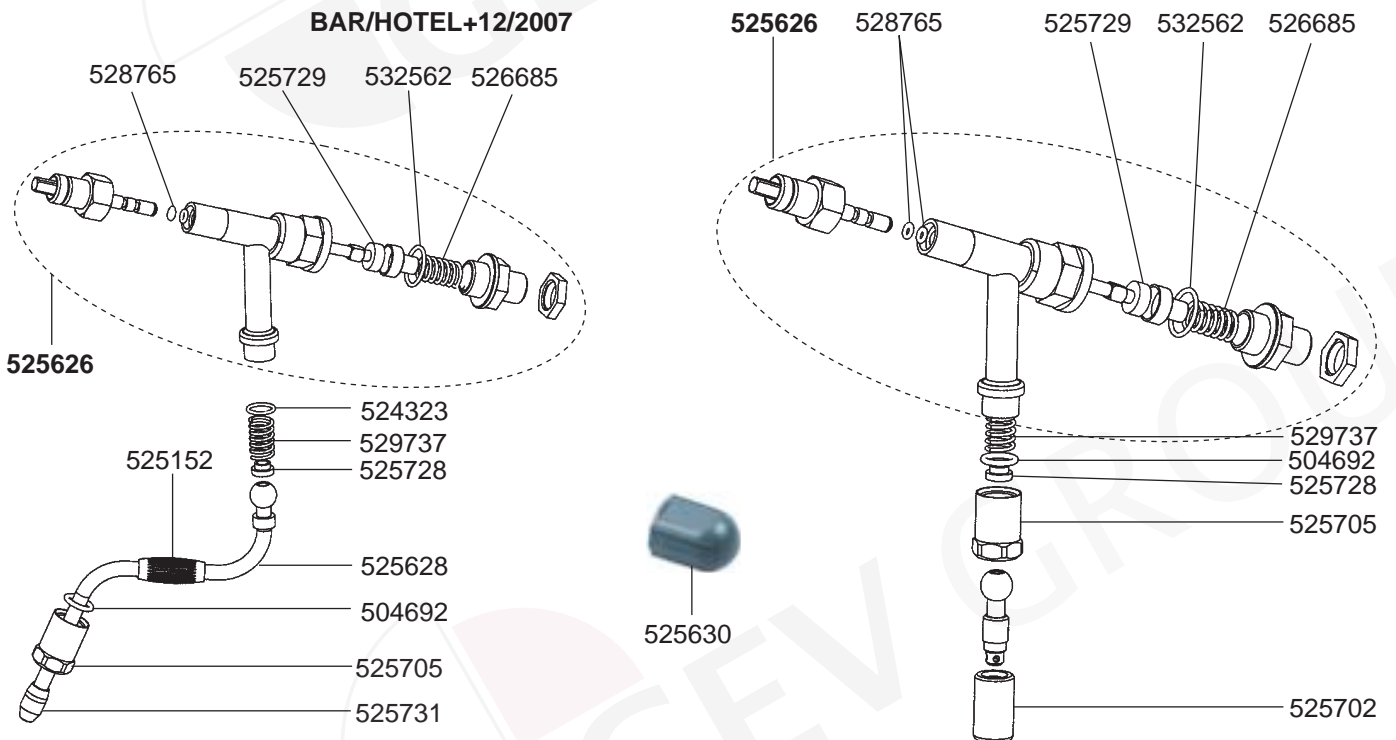
**PUB 1S
PUB 2S
BAR/HOTEL/NW BAR-T +7/2008**



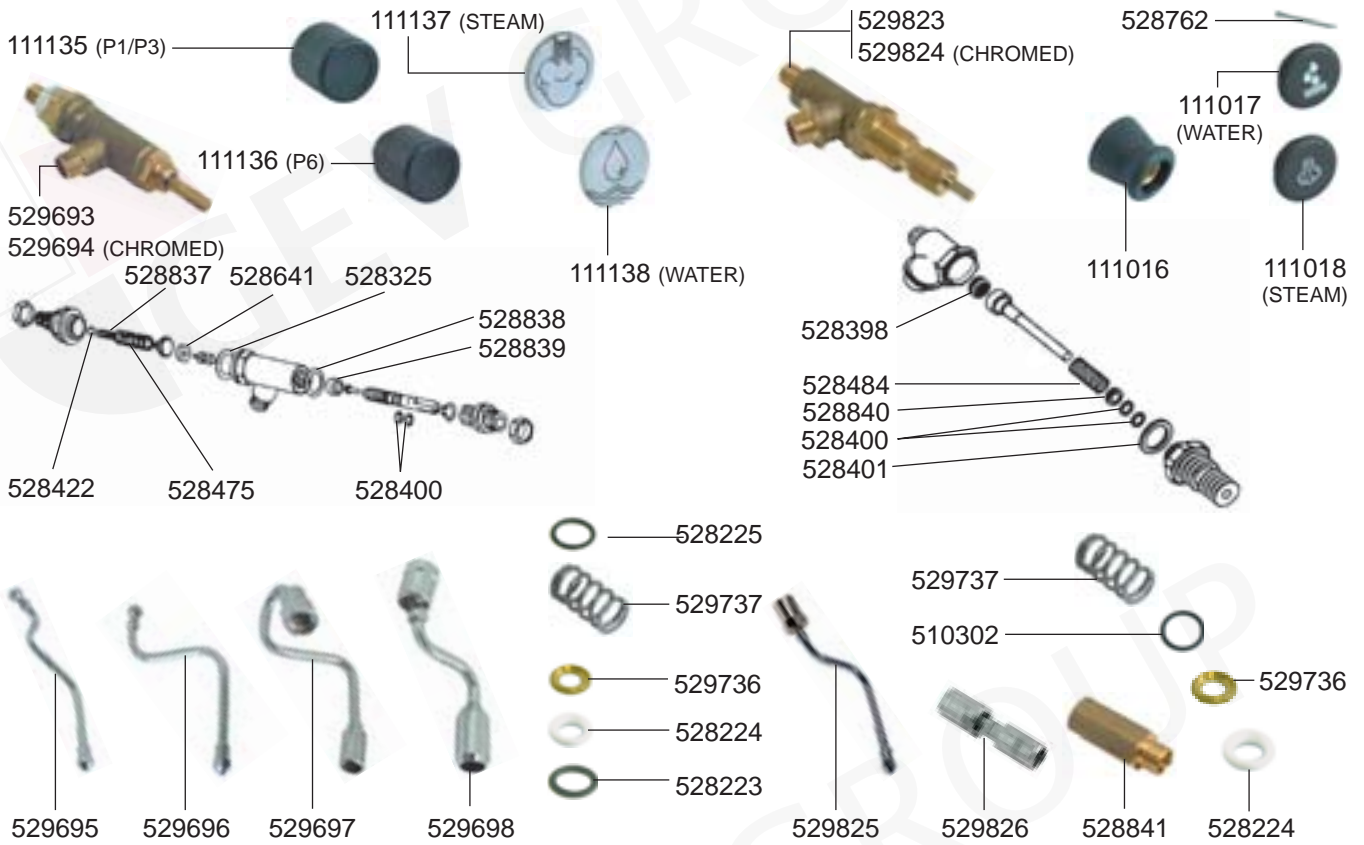
WATER TAPS NEW BAR-T L/BAR/HOTEL +5/2008



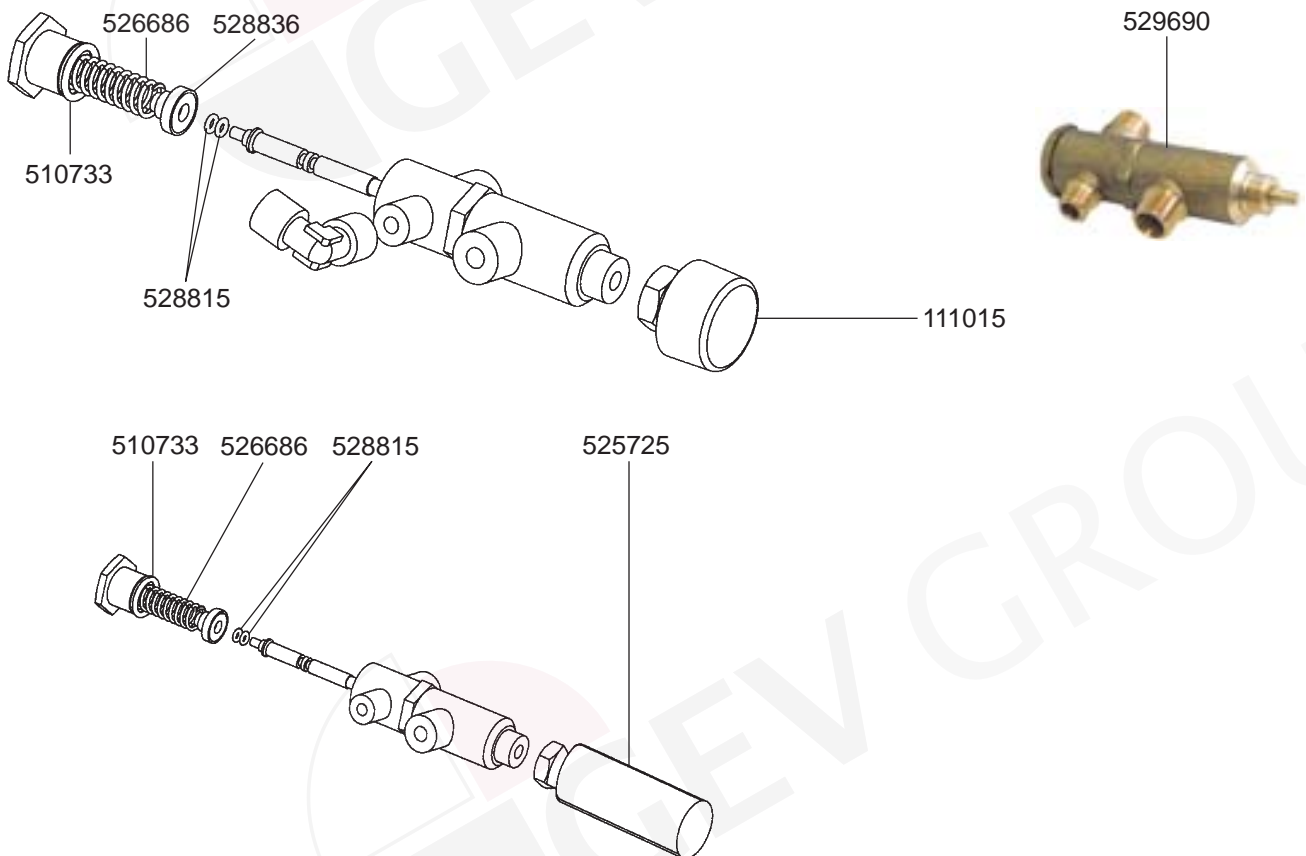
STEAM/WATER TAPS BAR/HOTEL +12/2007



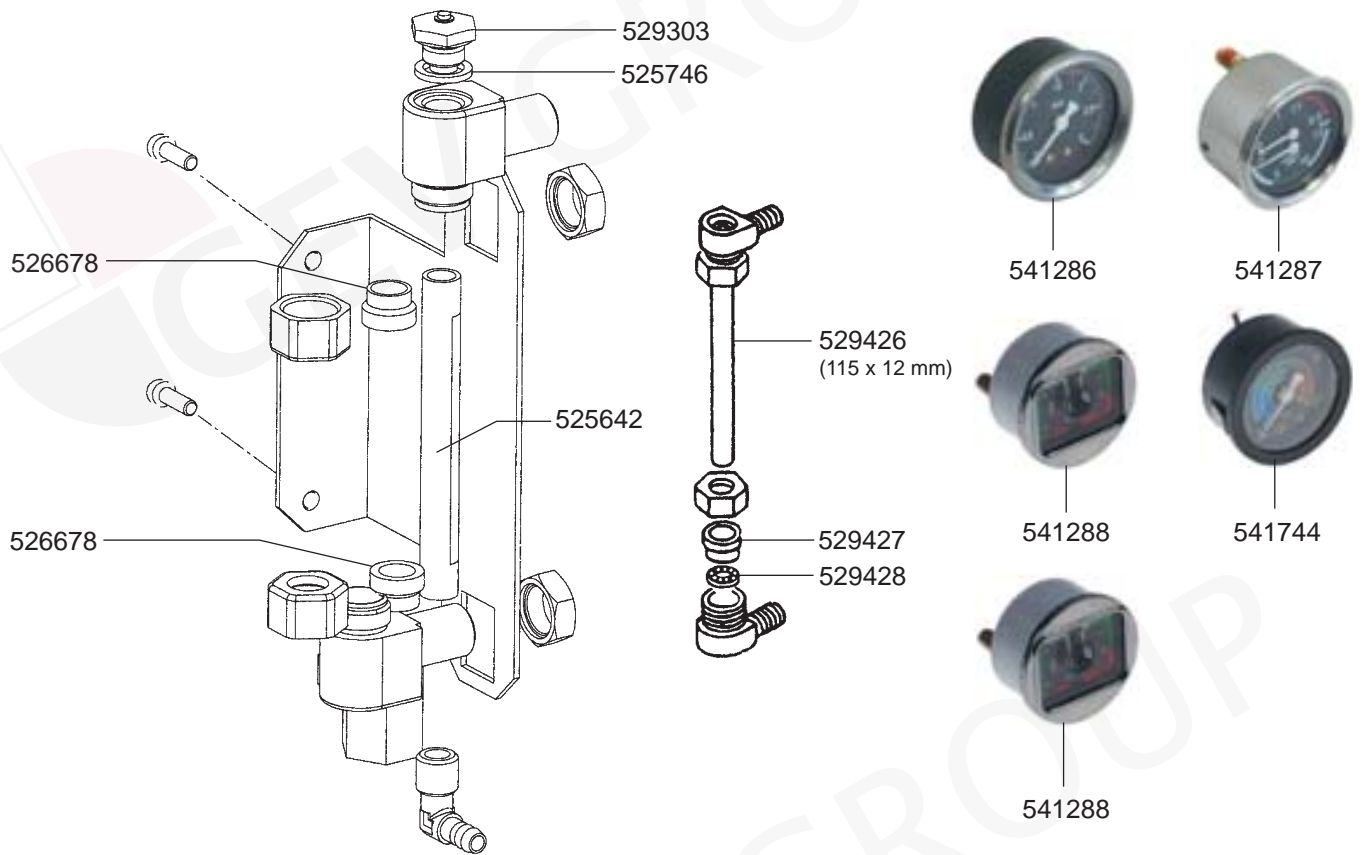
OLD MODEL STEAM/WATER TAPS



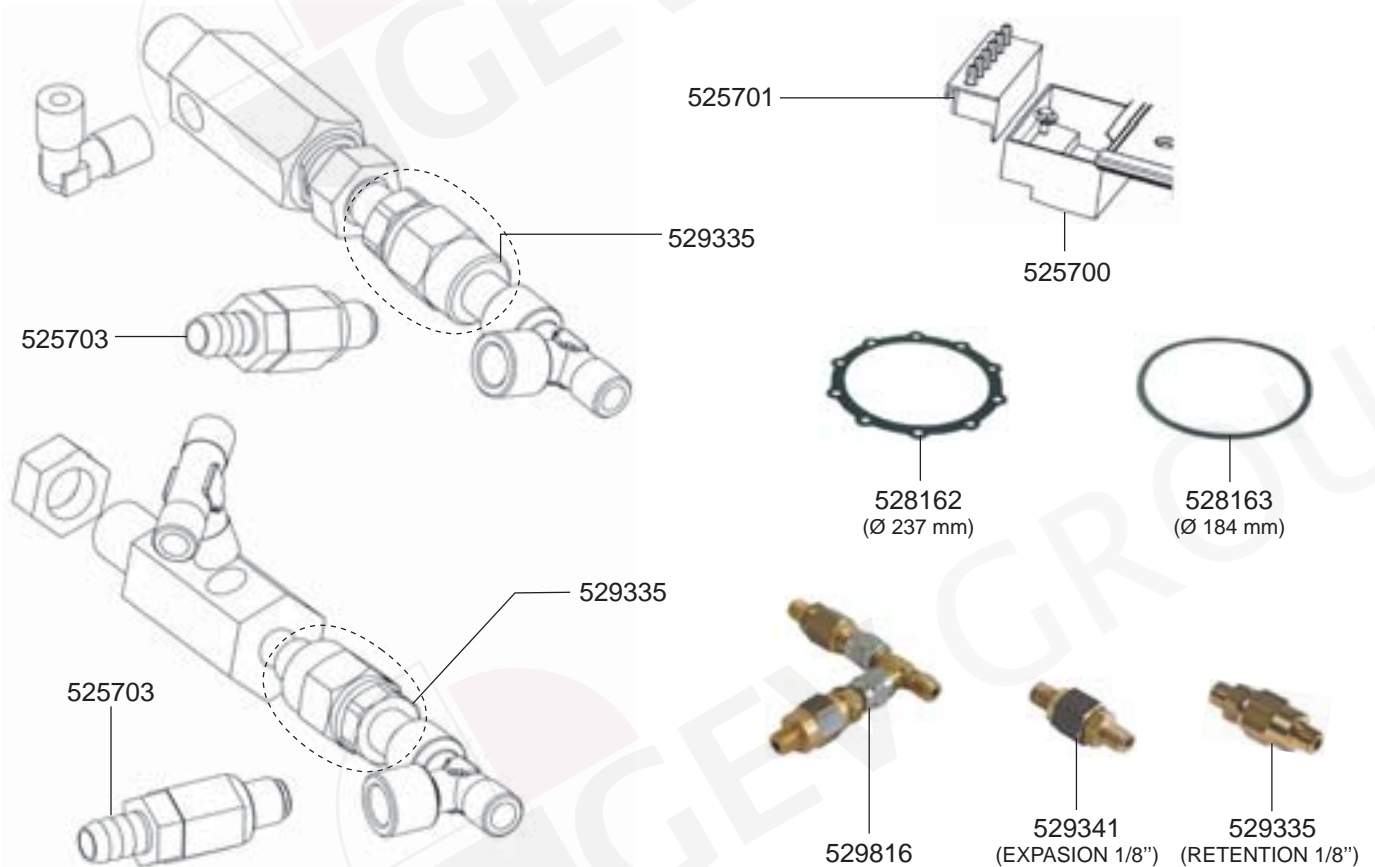
Inlet VALVES



LEVEL INDICATOR/MANOMETERS



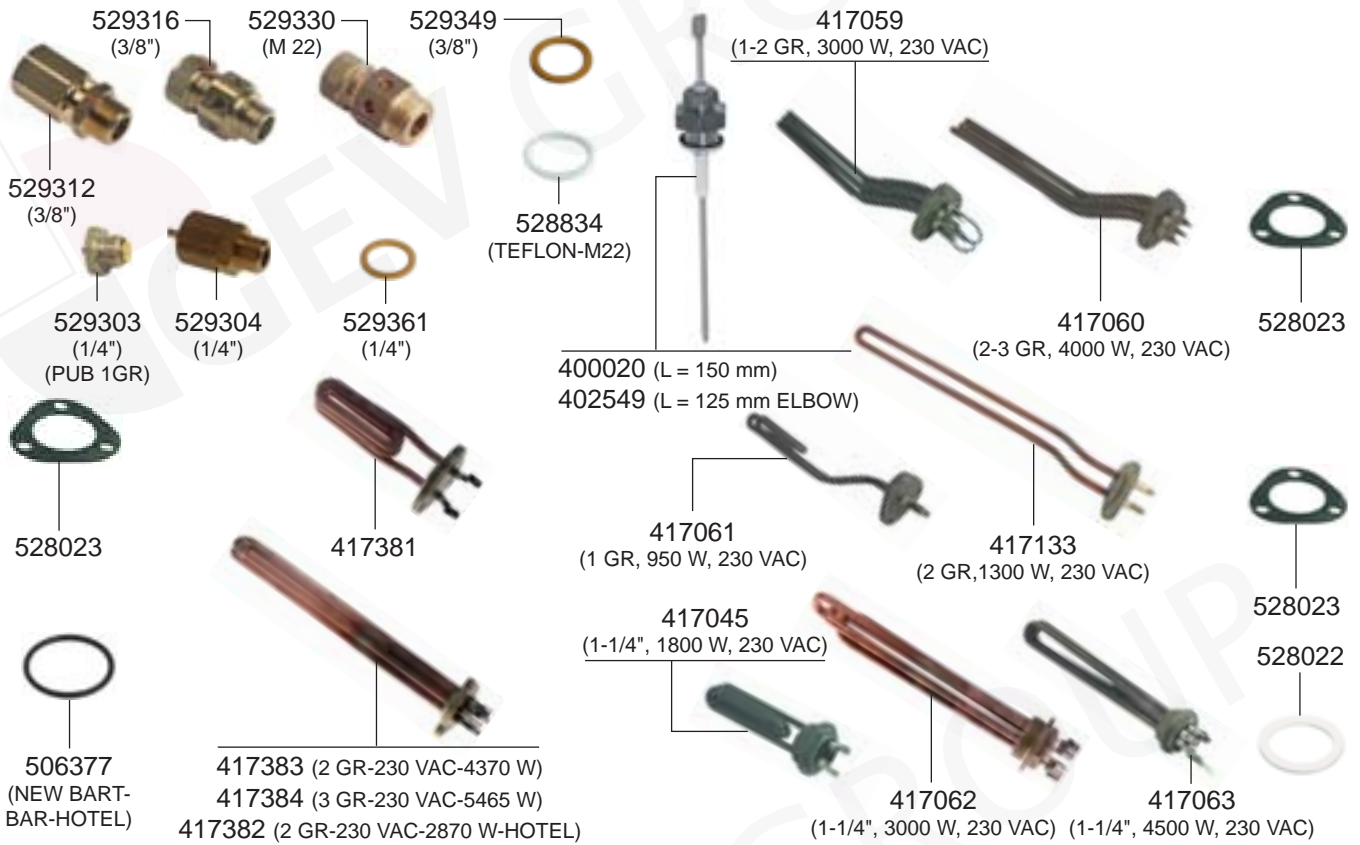
VALVES



LA PAVONI - ESPRESSO MACHINES

1
ESPRESSO MACHINES

BOILER VARIOUS

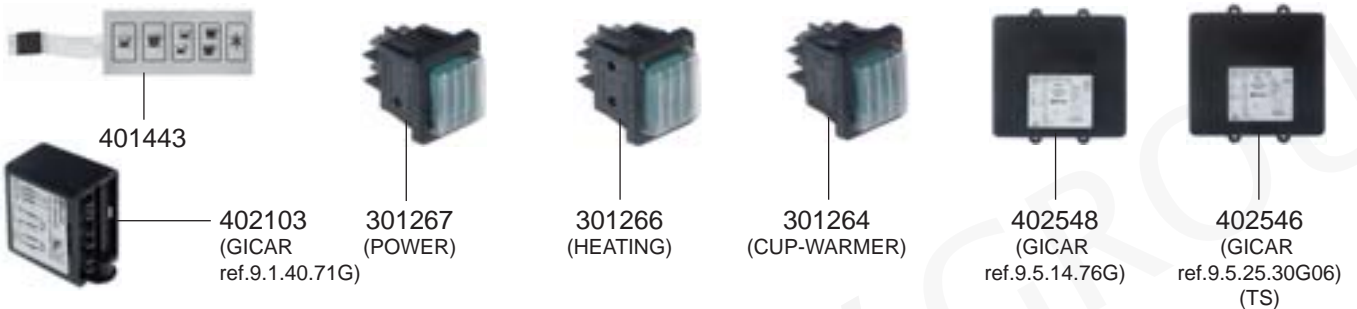


ELECTRICAL COMPONENTS PUB1-S2 +11/2006 - NEW BAR-T/BAR/HOTEL

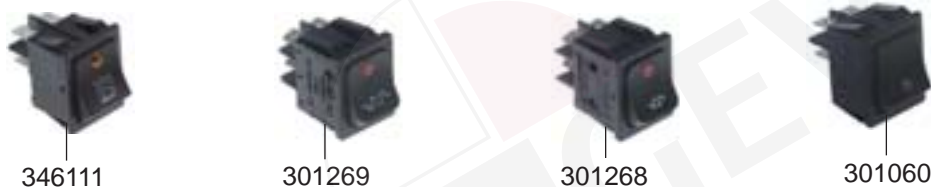
PUB 1-2-S+11/2006



NEW BAR-T



BAR/HOTEL



ELECTRICAL COMPONENTS BAR/HOTEL/BAR S-L

BAR/HOTEL



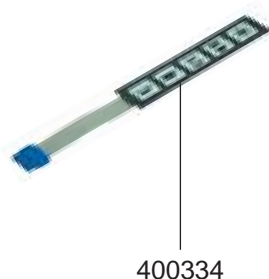
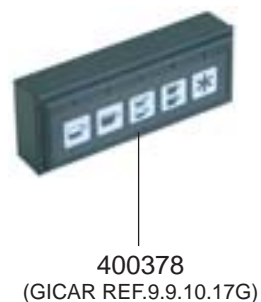
BAR S-L



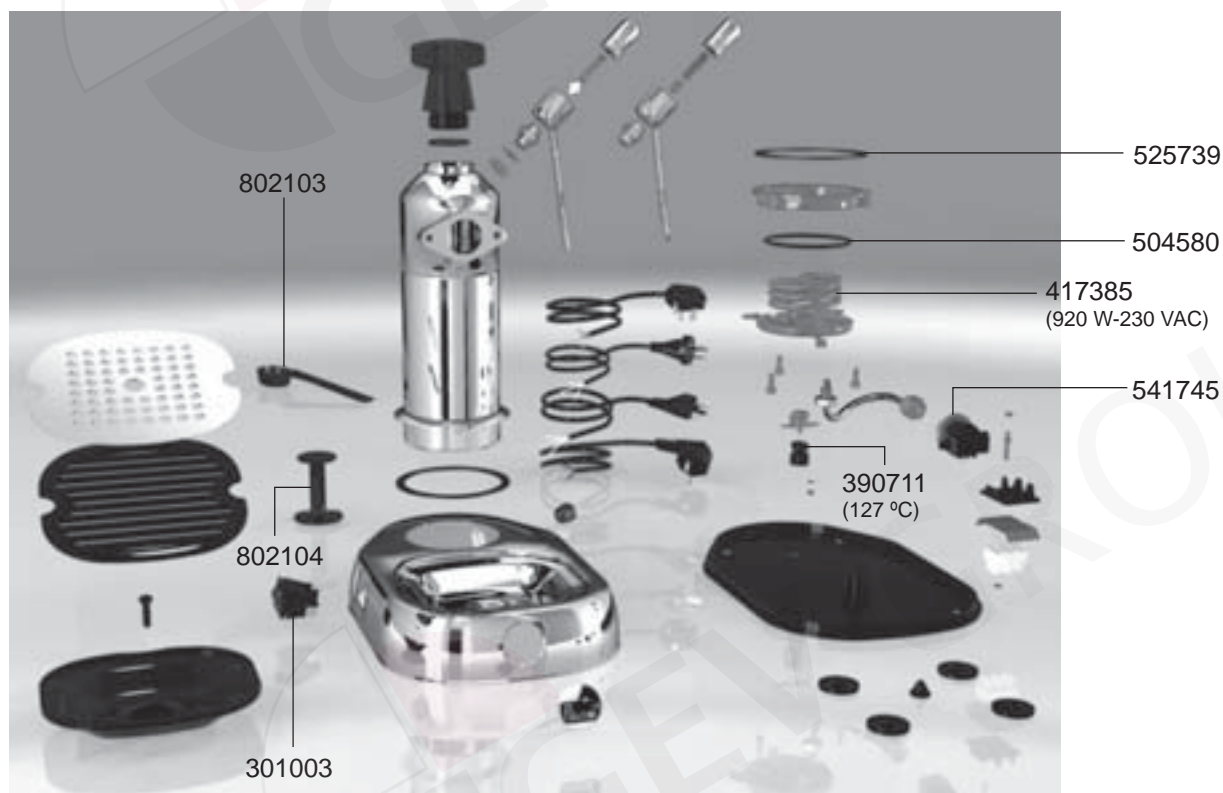
ELECTRICAL COMPONENTS VARIOUS



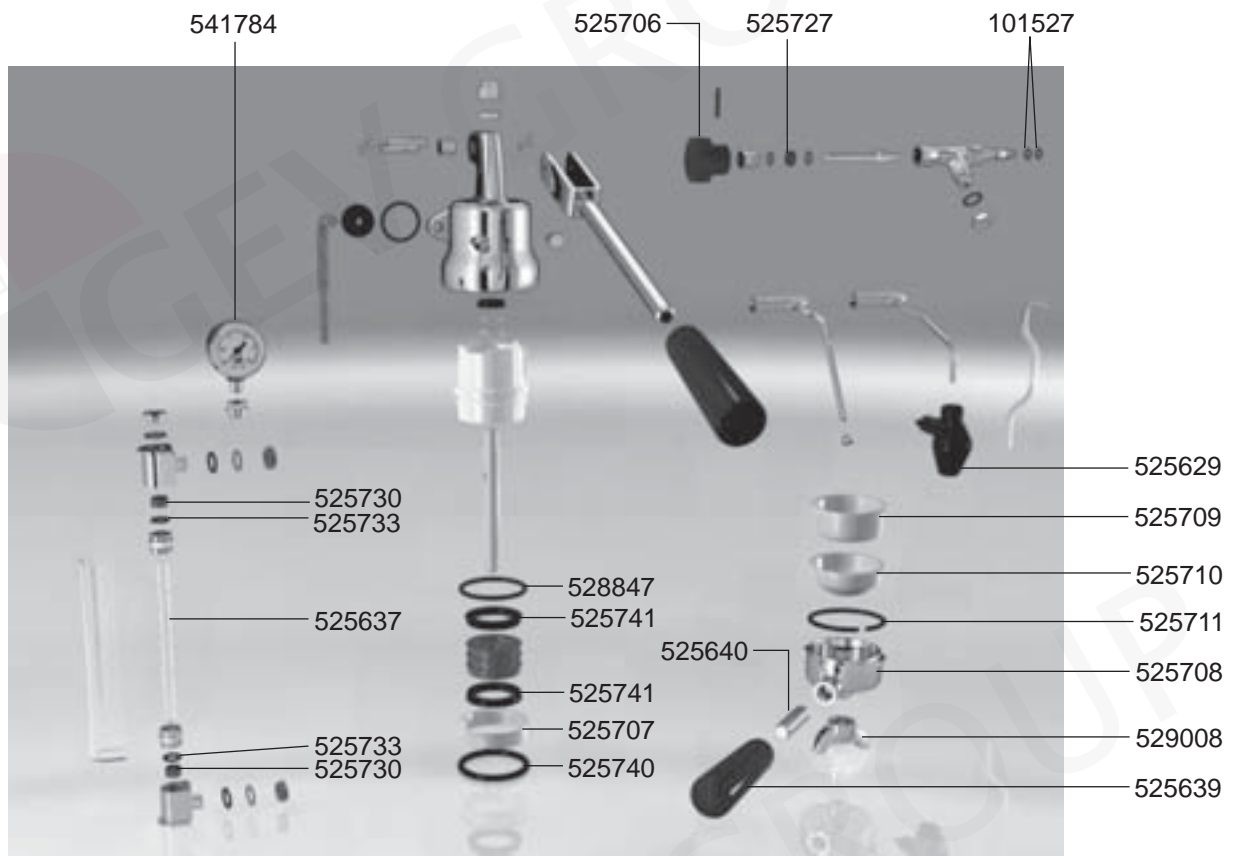
ELECTRICAL COMPONENTS VARIOUS



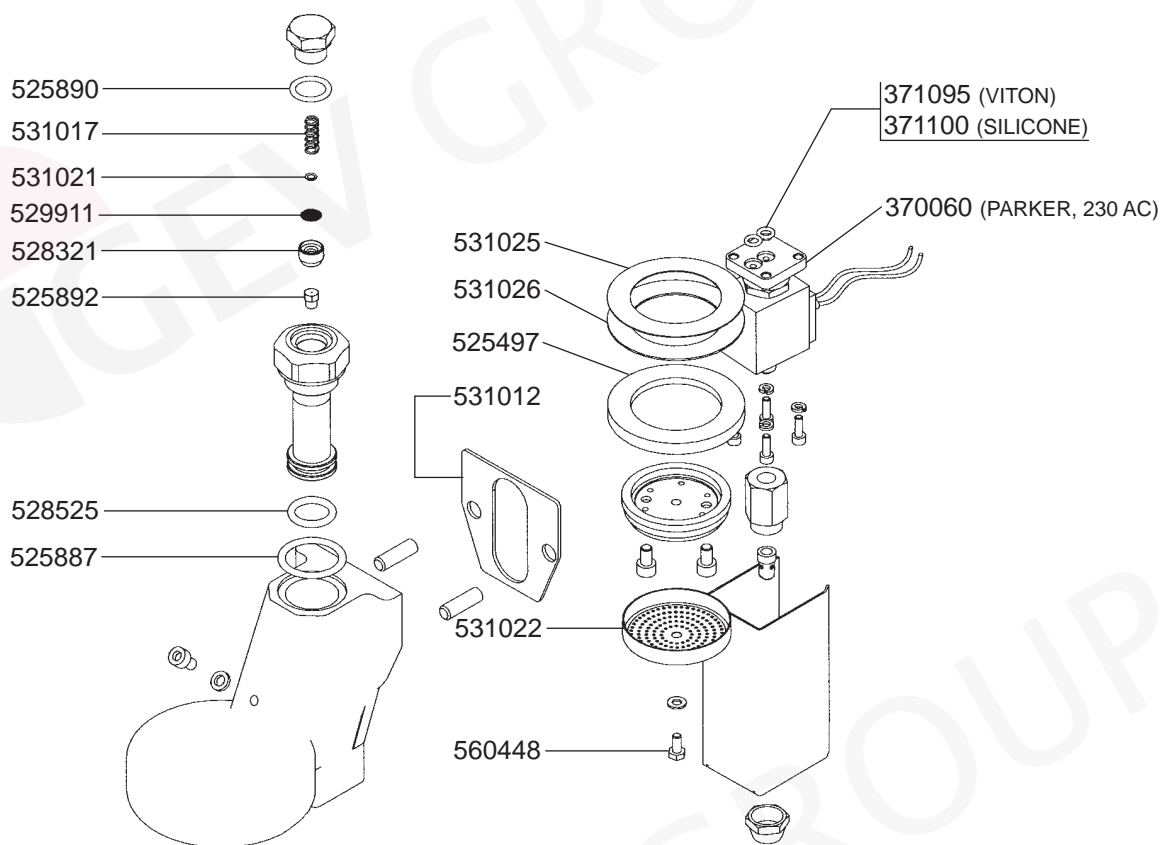
EUROPICOLA/PROFESSIONAL VARIOUS



EUROPICOLA/PROFESSIONAL VARIOUS



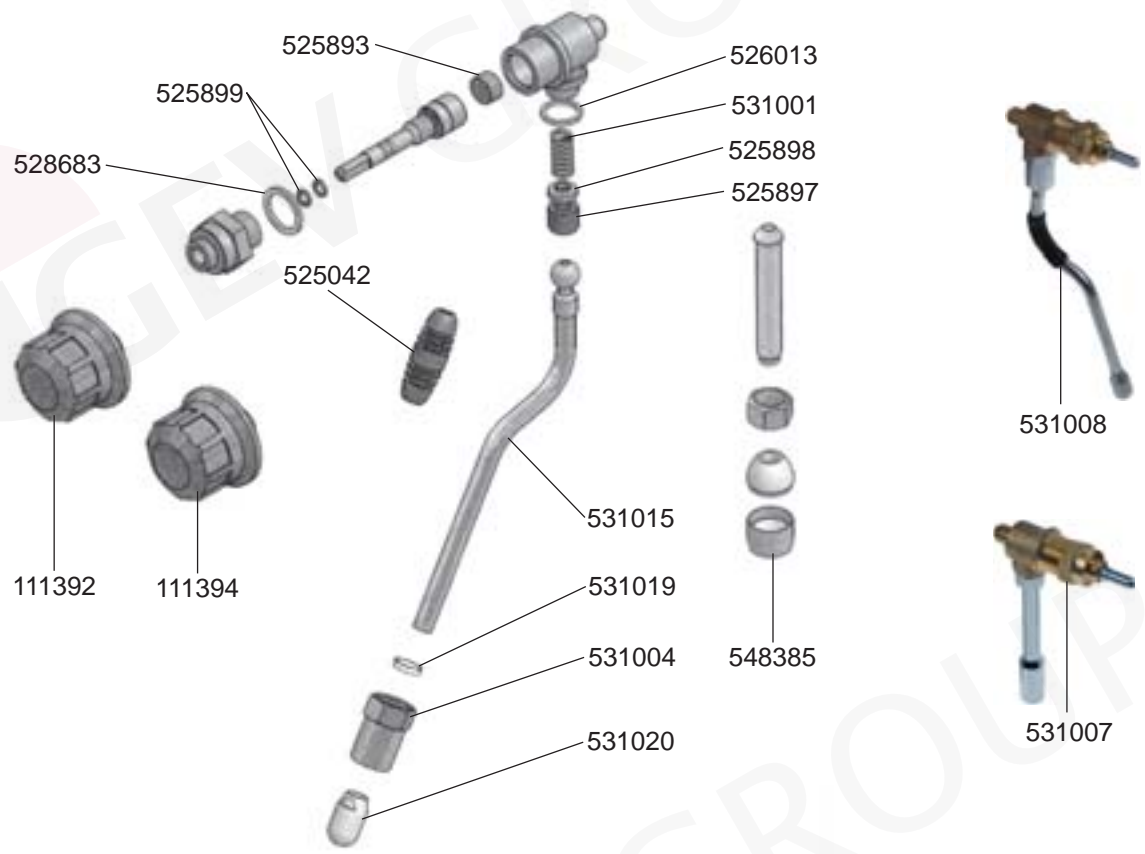
GROUP



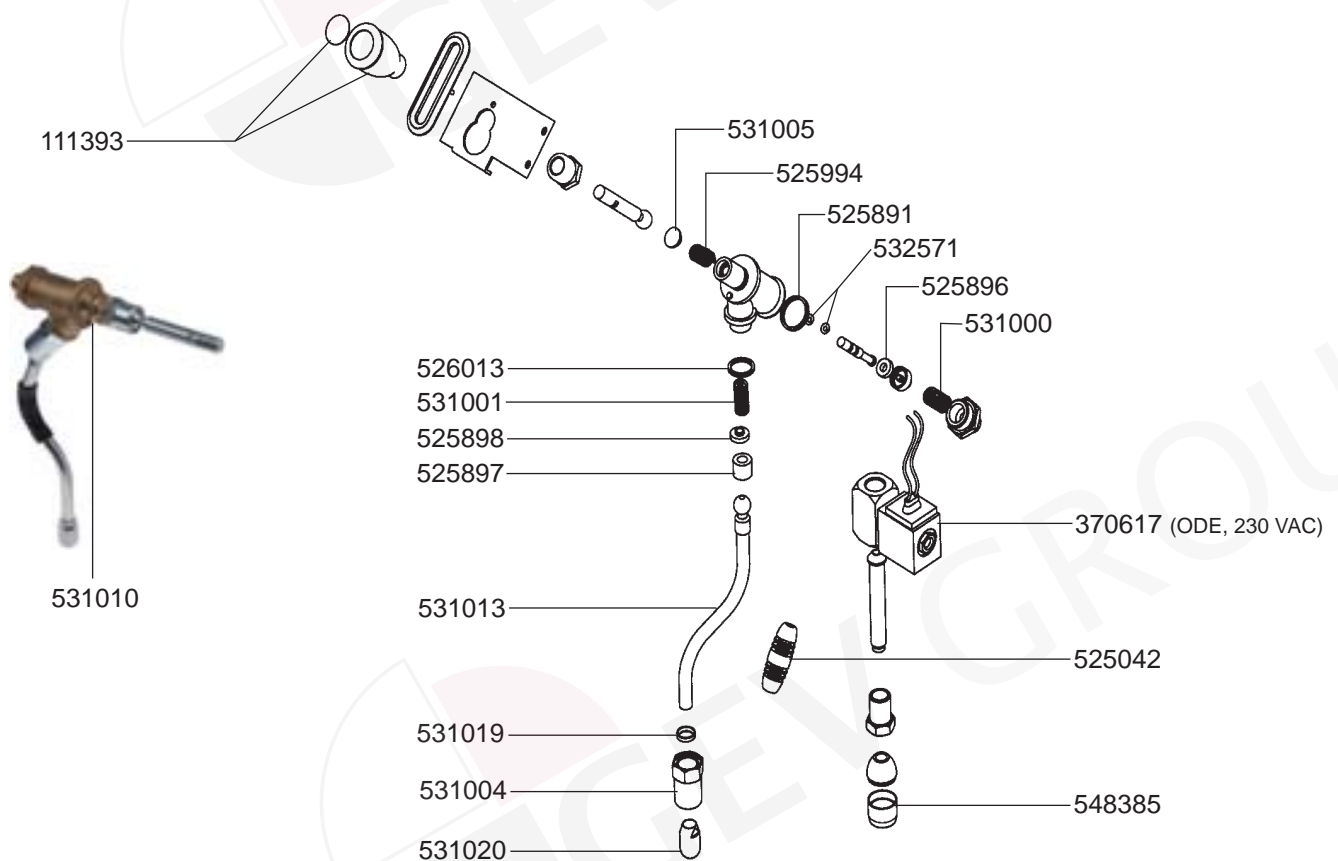
FILTER HOLDERS



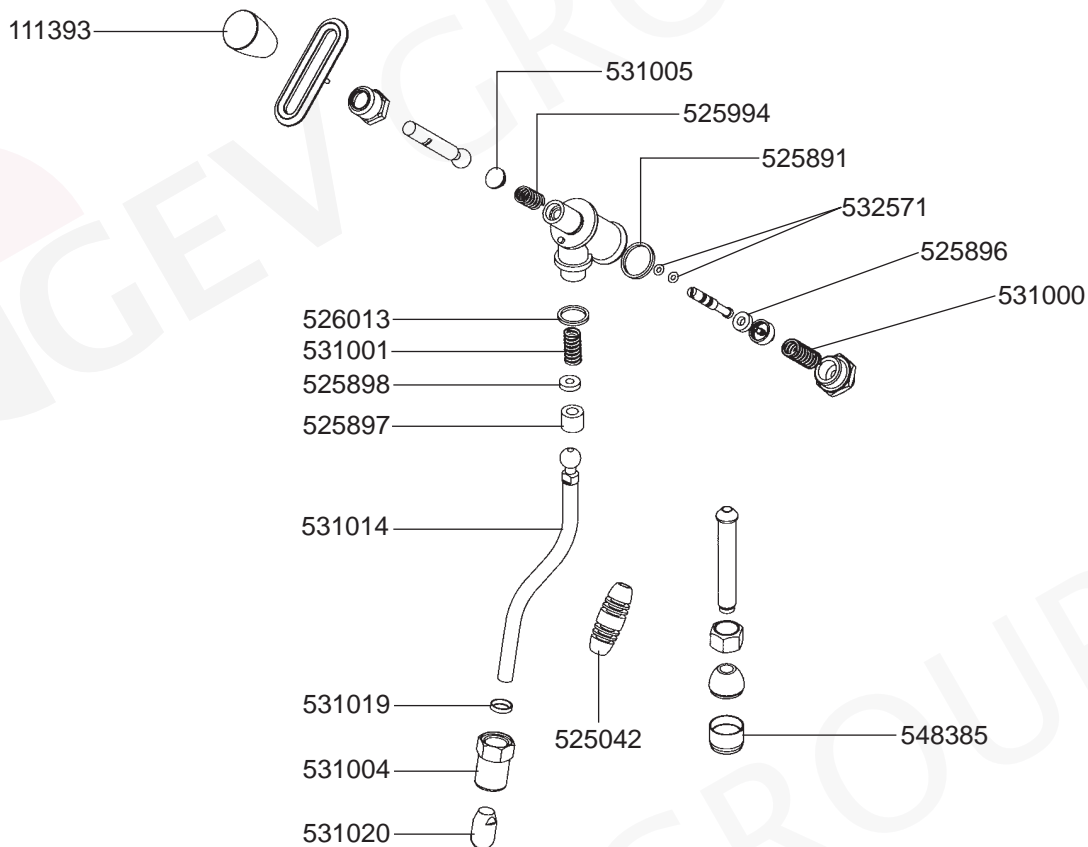
STEAM/WATER TAPS VERONA



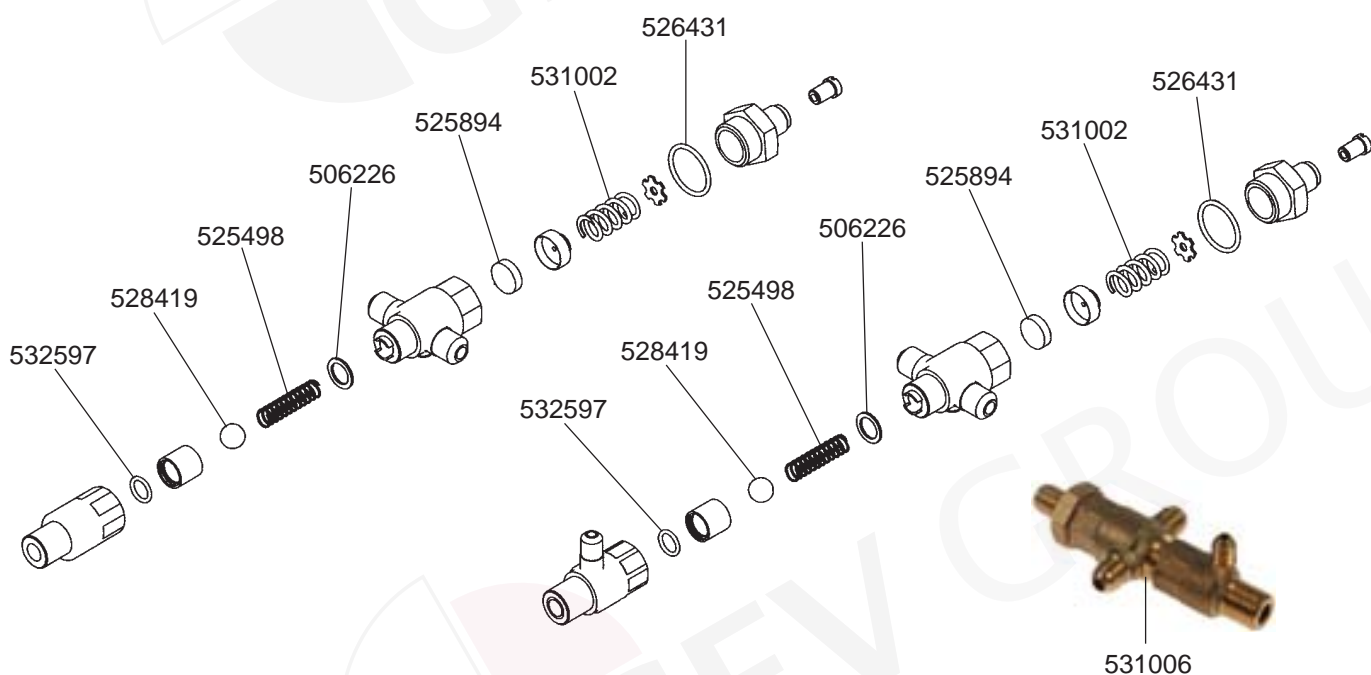
STEAM/WATER TAPS ESTRELLA



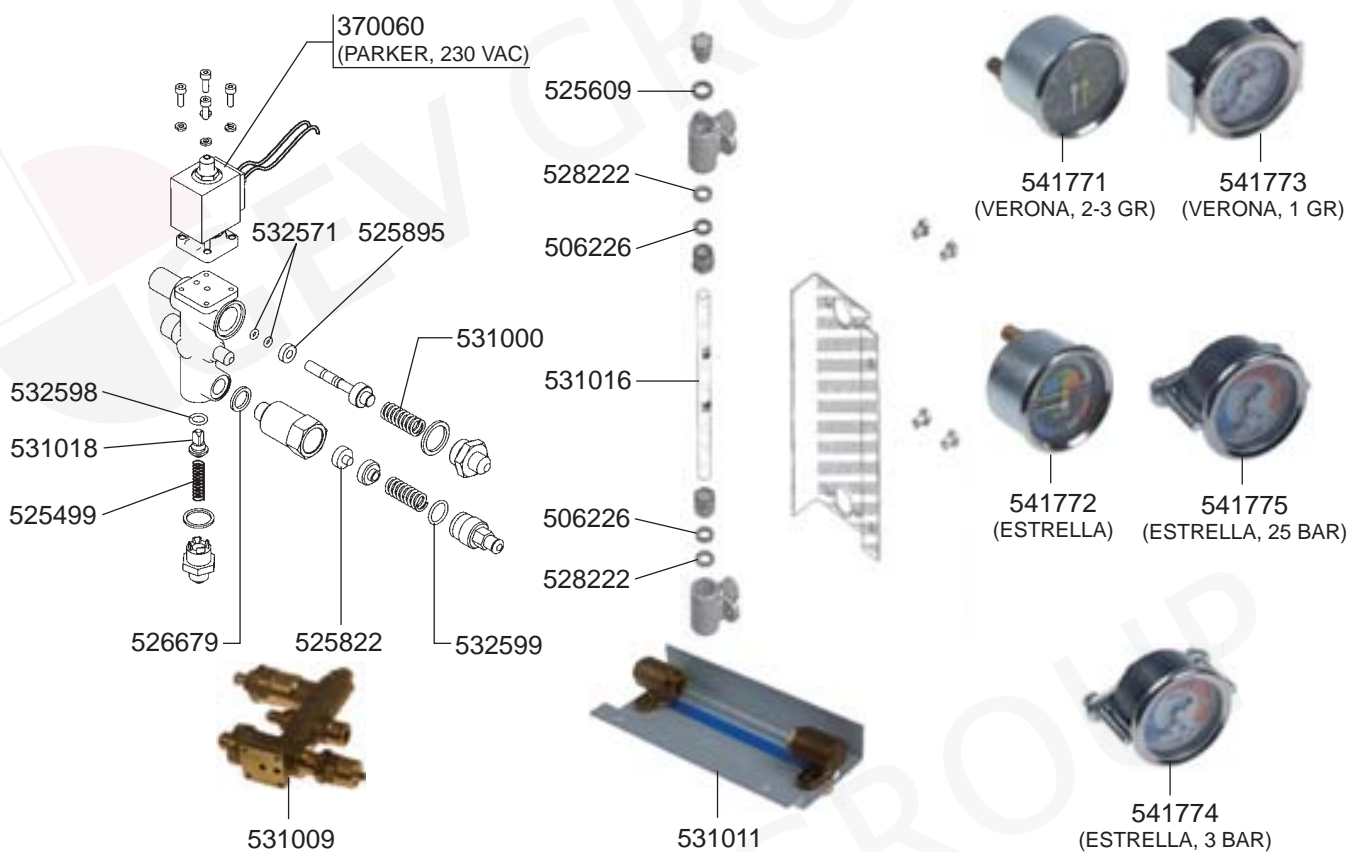
STEAM/WATER TAPS MAXIMA



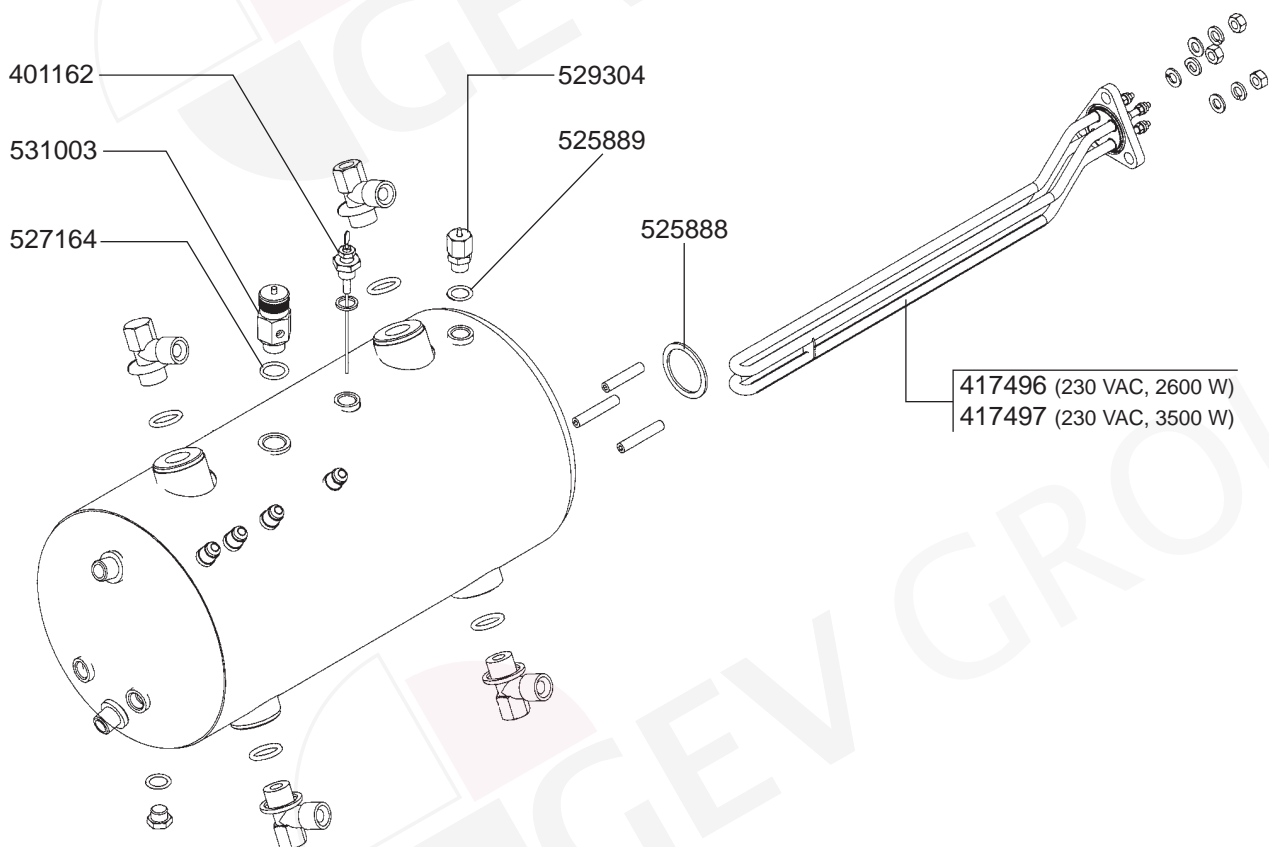
VALVES VERONA



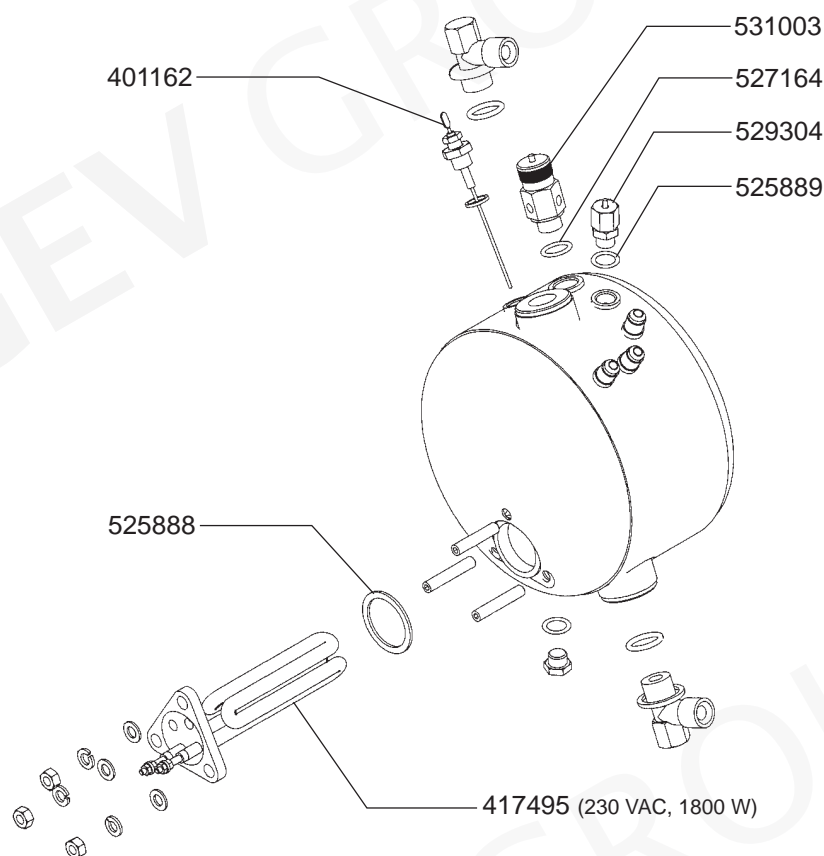
VALVES ESTRELLA/MAXIMA/LEVEL INDICATOR/MANOMETERS



BOILER VARIOUS



BOILER VARIOUS



ELECTRICAL COMPONENTS VERONA/ESTRELLA

VERONA



ESTRELLA



ELECTRICAL COMPONENTS MAXIMA

MÁXIMA



402785



402793
(GICAR ref. 9.5.22.94G02)



402790
(GICAR ref. 9.1.41.14G01)



345148



301060



357027



357026

ELECTRICAL COMPONENTS VARIOUS



400004



400256



400257



400258



541021
(SIRAI, 30 AMP,
3 POLES)



541724
(SIRAI, 20 AMP,
3 POLES)



541723
(SIRAI, 20 AMP,
2 POLES)



541453
(PARKER)



370060



370062
(PARKER)
370061
(LUCIFER)



370206
(PARKER 230 VAC 1/8")
370072
(LUCIFER 230 VAC 1/8")



371029
(PARKER 230 VAC)



371091



371090

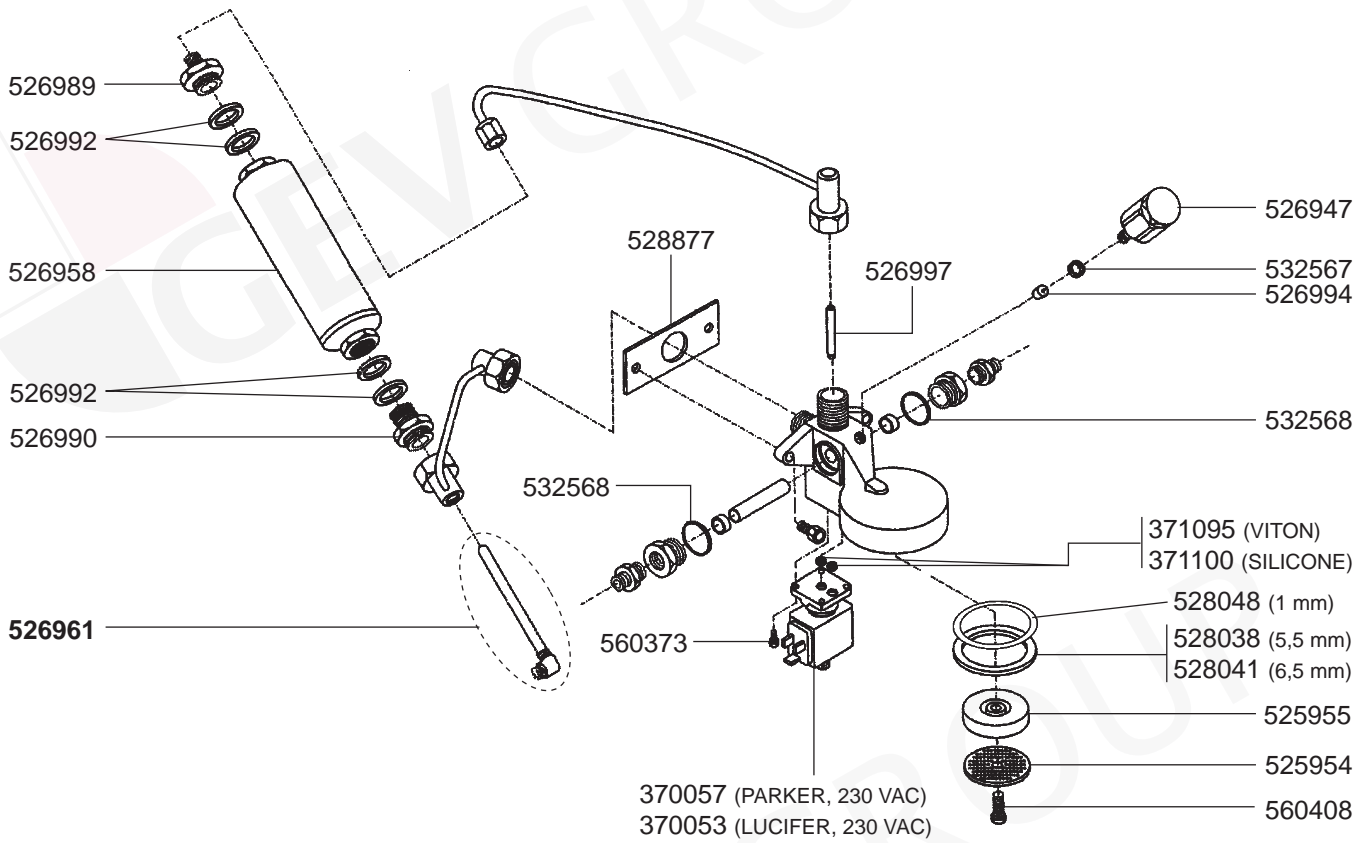


371095
(VITON)

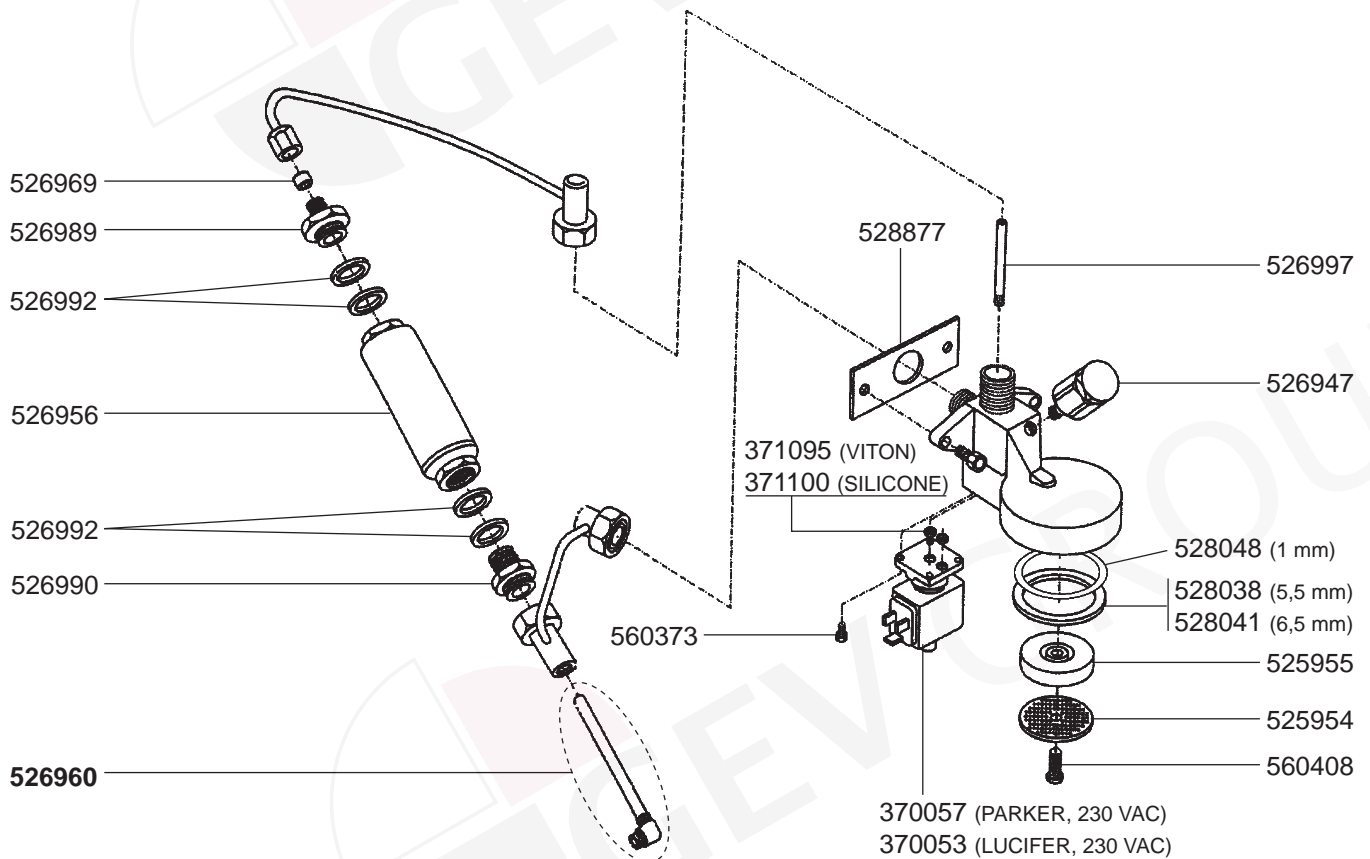


371100
(SILICONE)

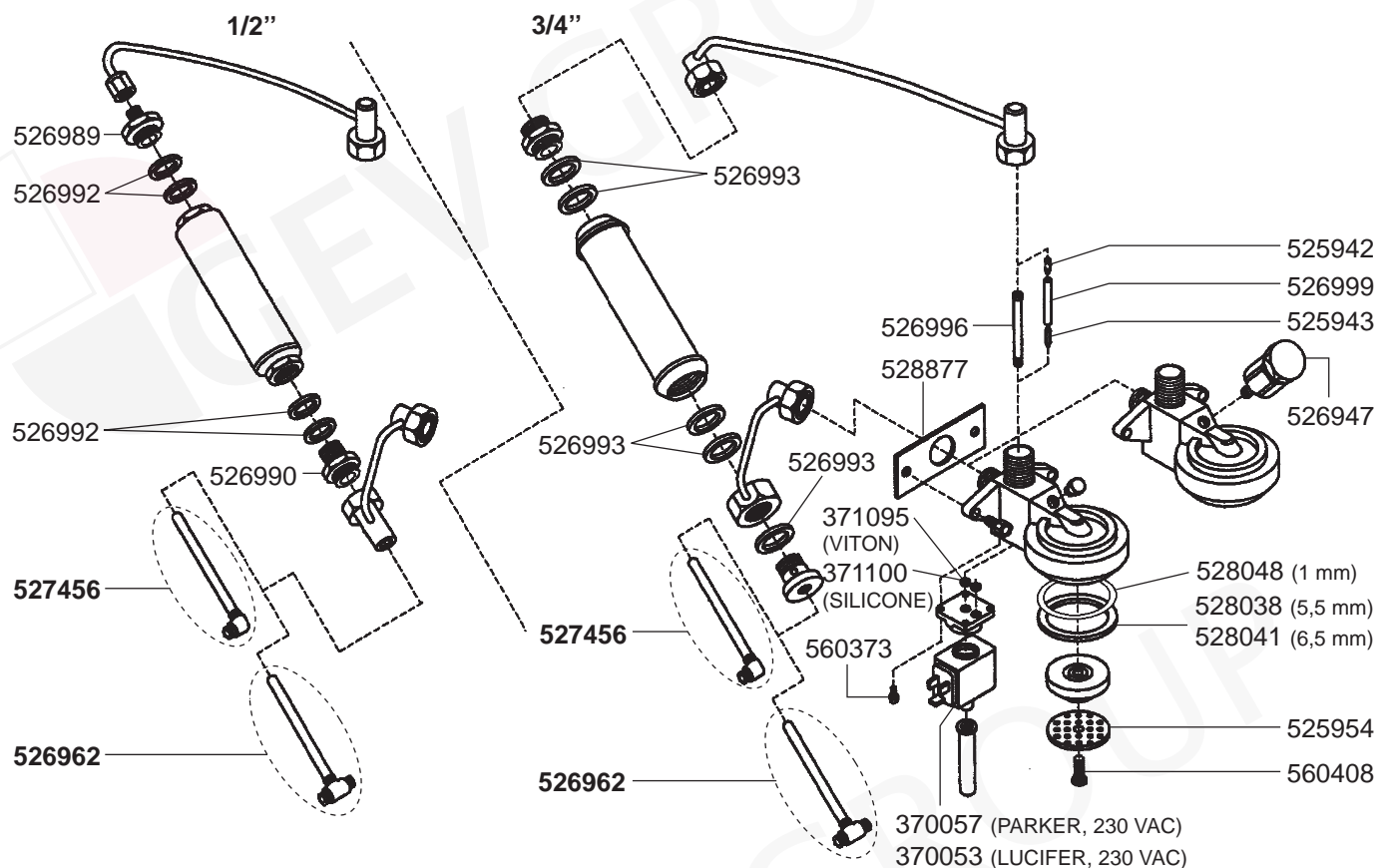
GROUP 105



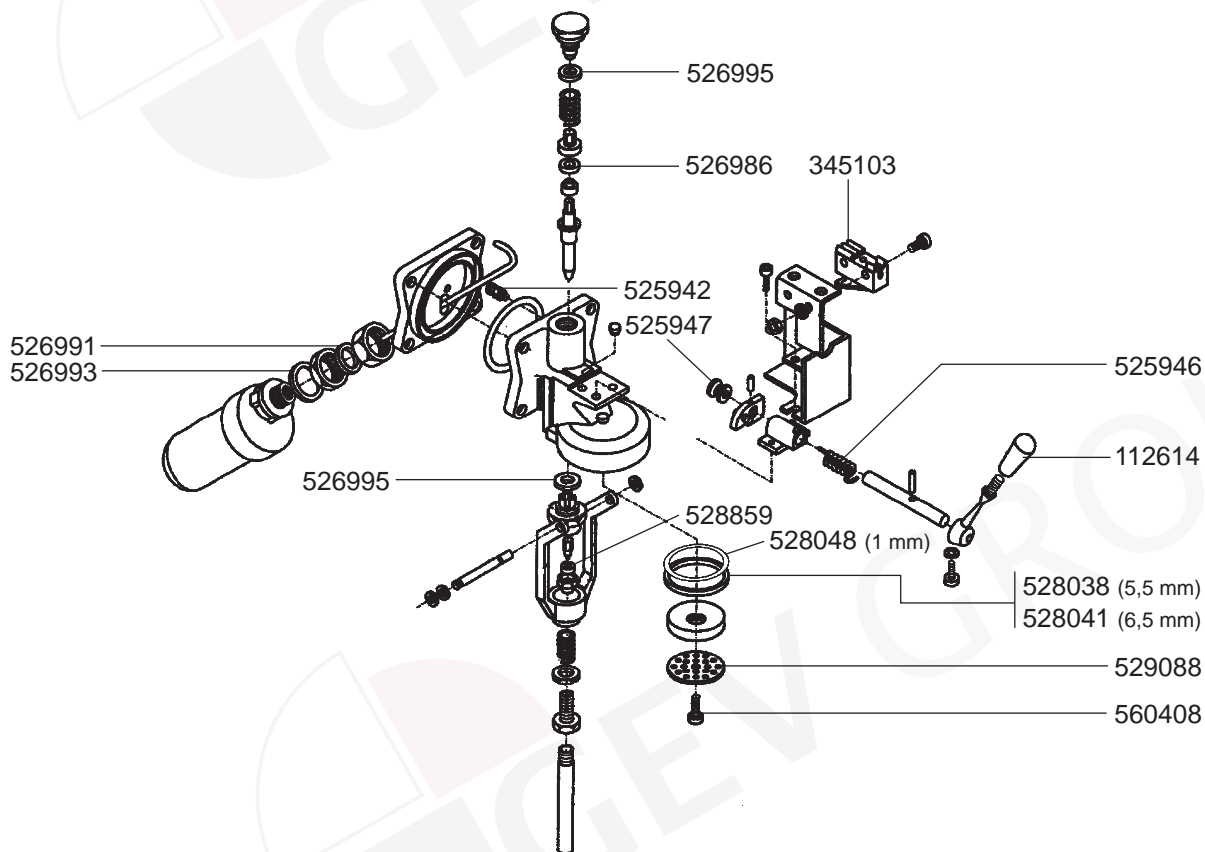
GROUP 105-1GR



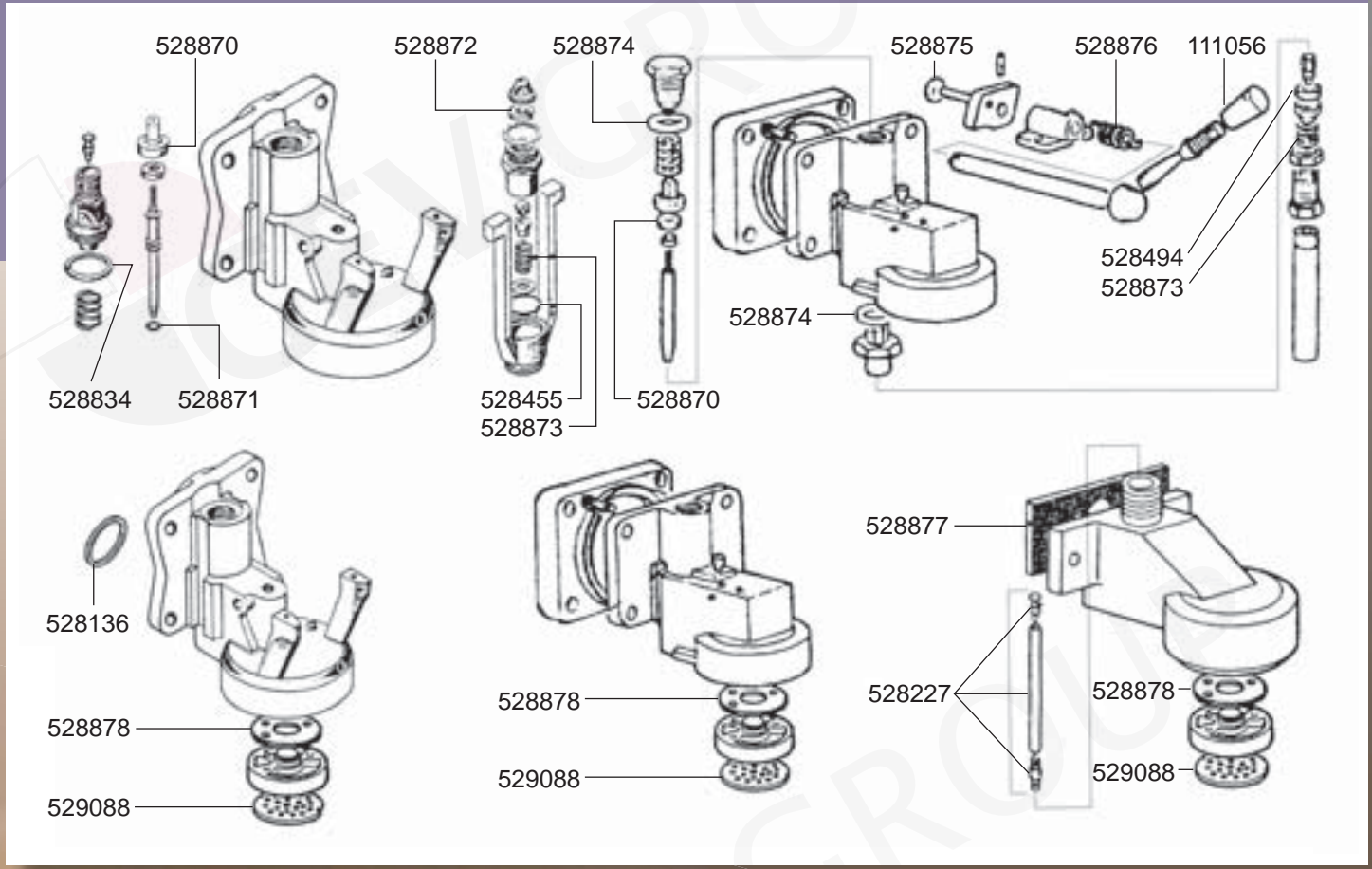
GROUP 85/95



GROUP 85



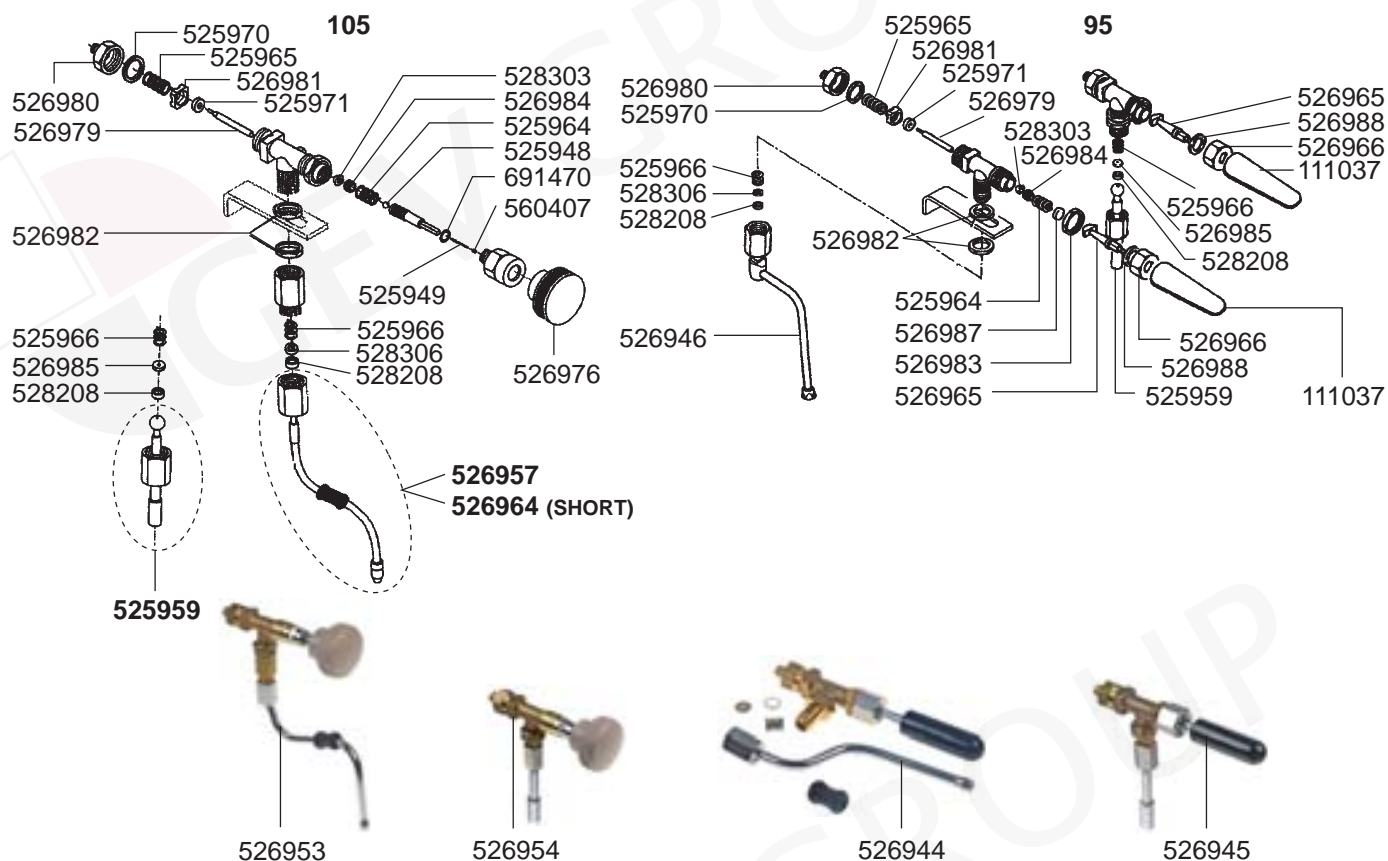
OLD MODEL GROUPS



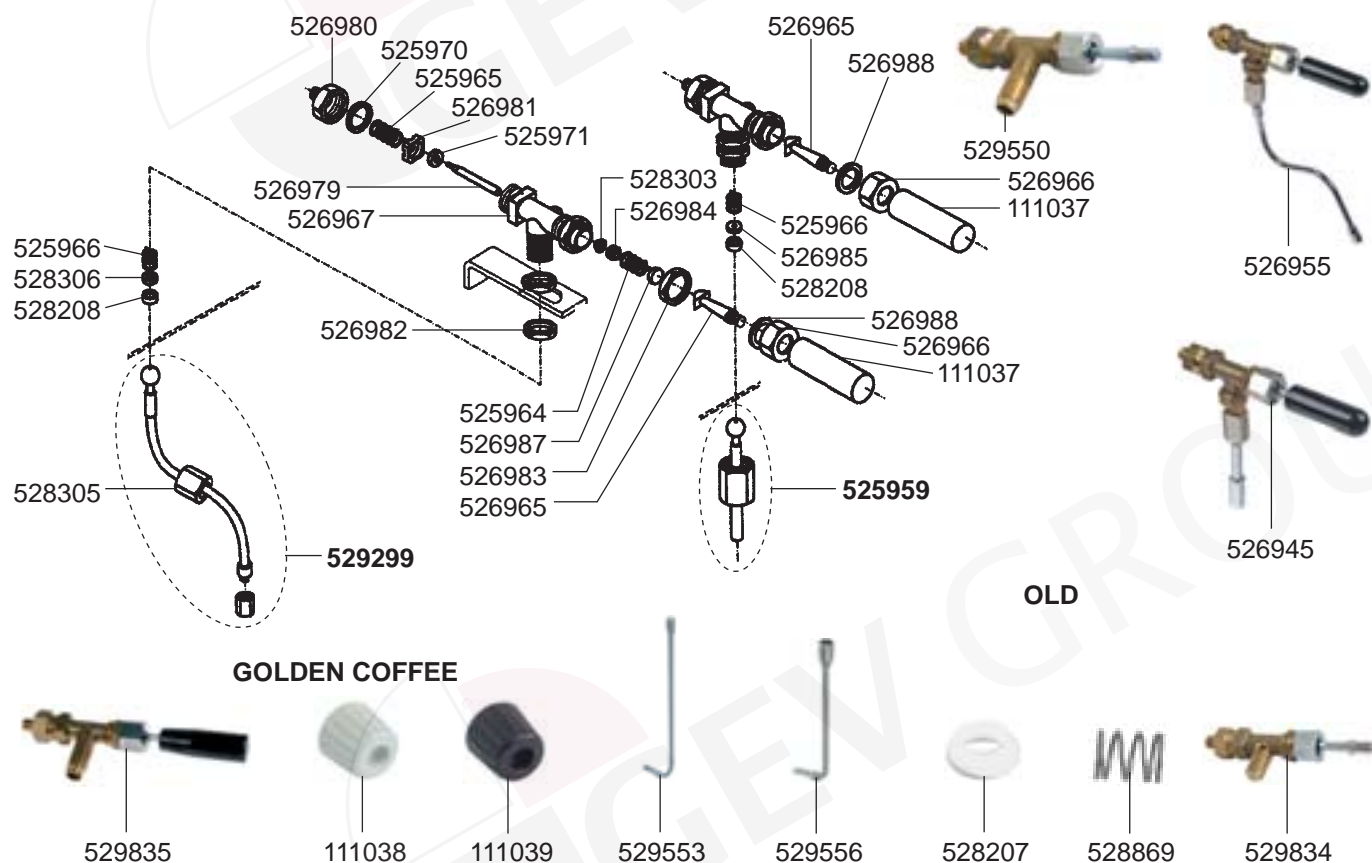
FILTER HOLDERS



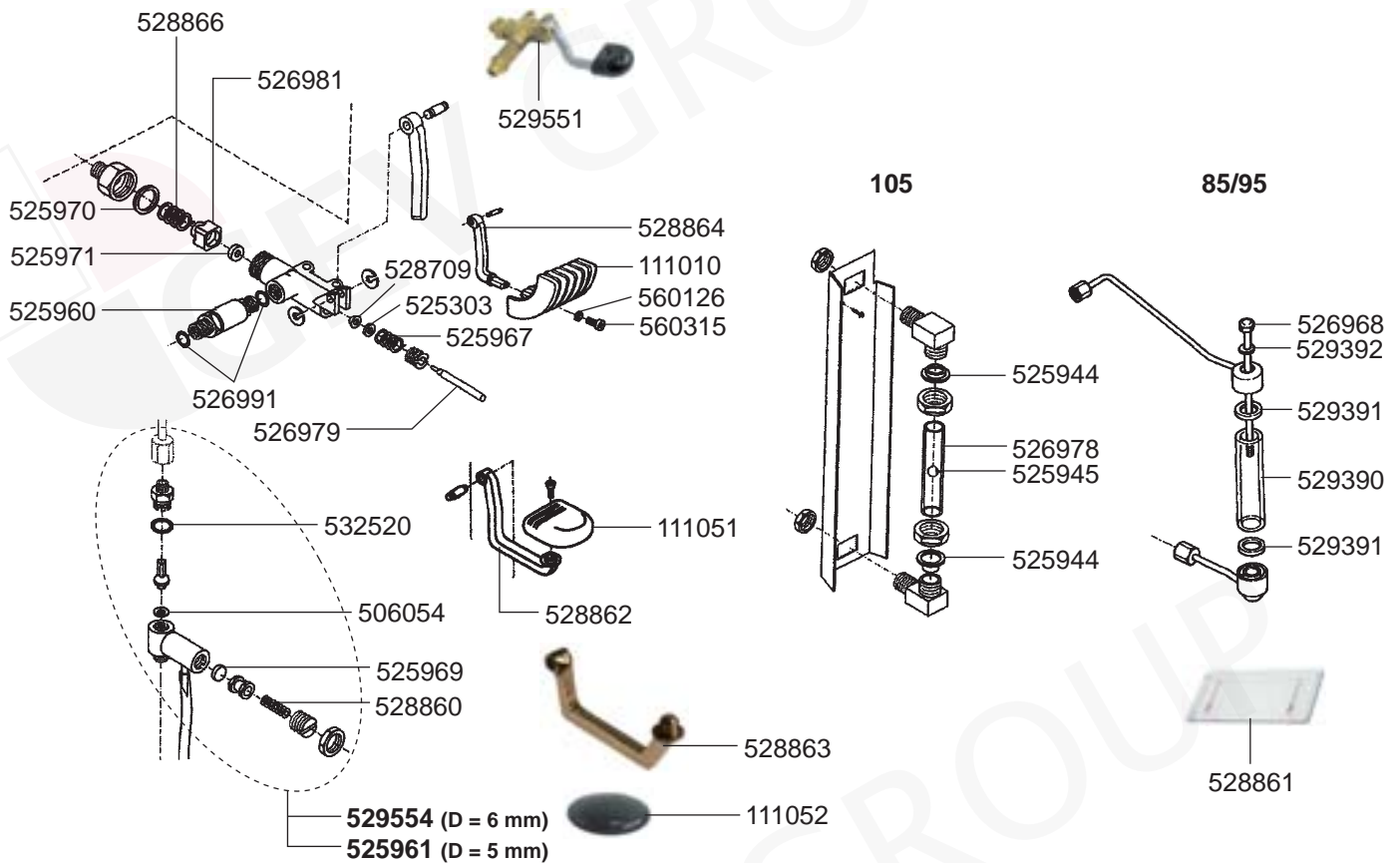
STEAM/WATER TAPS 105/95



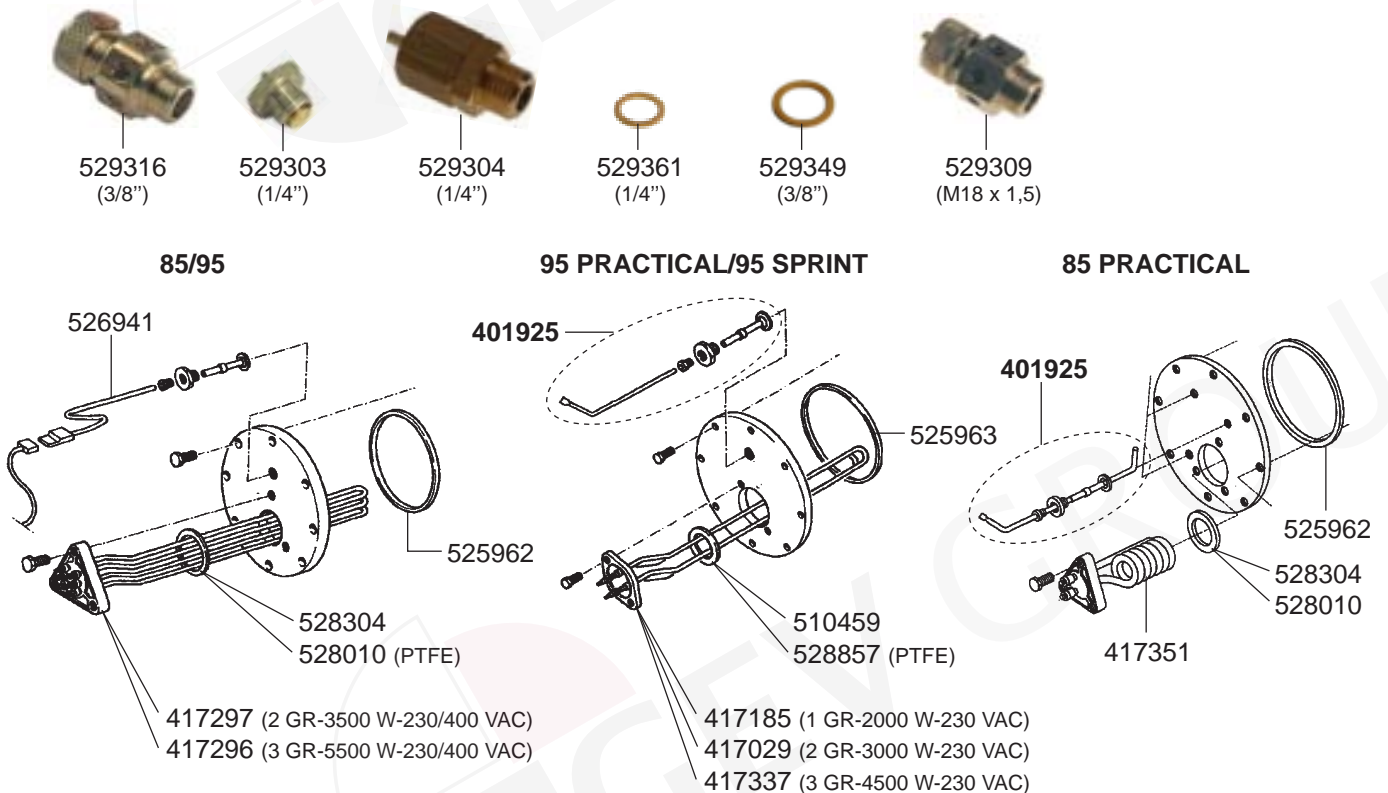
STEAM/WATER TAPS 85



Inlet VALVE/VALVES/LEVEL INDICATOR



BOILER VARIOUS



BOILER/MANOMETERS/DRIP TRAYS VARIOUS

529316 (3/8")
529303 (1/4")
529304 (1/4")
529361 (1/4")
529349 (3/8")
529309 (M18 x 1,5)

541220 (85/95)
541720 (105)

529751 (85/95)
526975 (105)

390324

105
105 1 GR-105 COMPACT

379475
401925
525962
528304
528010 (PTFE)

525963
510459
528857 (PTFE)

528011

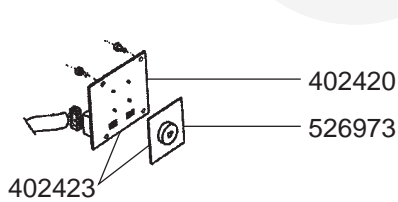
417297 (2 GR-3500 W-230/400 VAC)
417296 (3 GR-5500 W-230/400 VAC)

417185 (1 GR-2000 W-230 VAC)
417029 (COMPACT-3000 W-230 VAC)

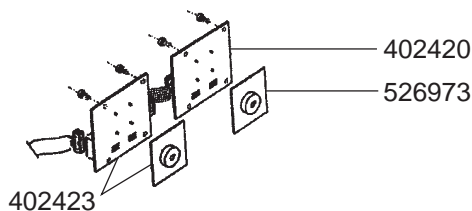
417026 (1 GR-1000 W-230 VAC)
417027 (2 GR-1300 W-230 VAC)
417142 (3 GR-1850 W-230 VAC)

ELECTRICAL COMPONENTS 105

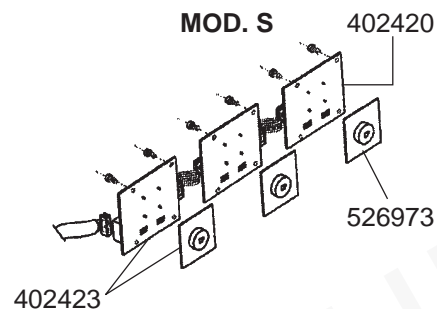
MOD. 1 GRUPPO S



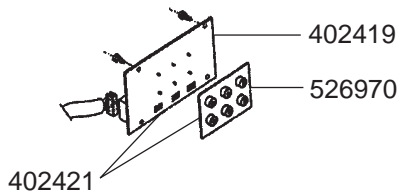
MOD. COMPACT S



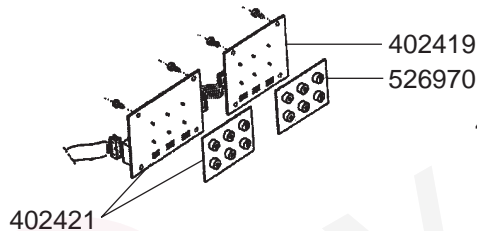
MOD. S



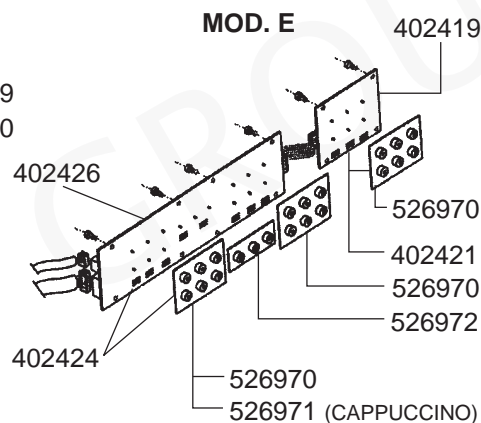
MOD. 1 GRUPPO S



MOD. COMPACT E



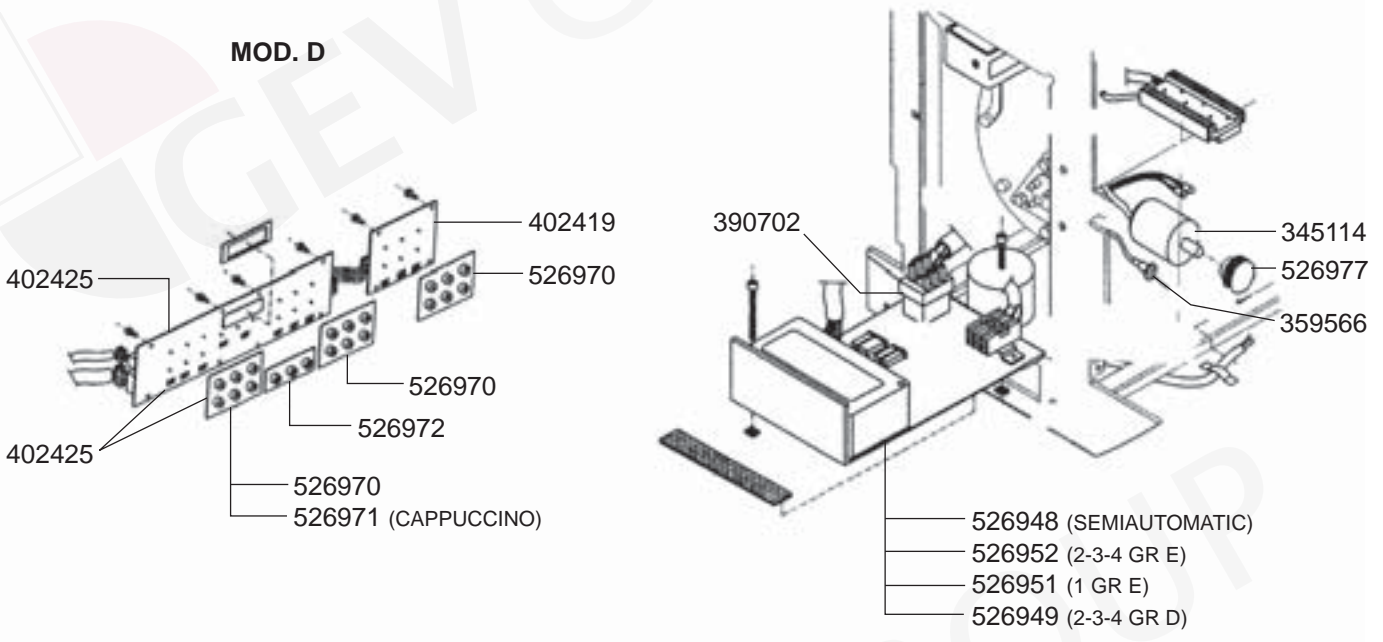
MOD. E



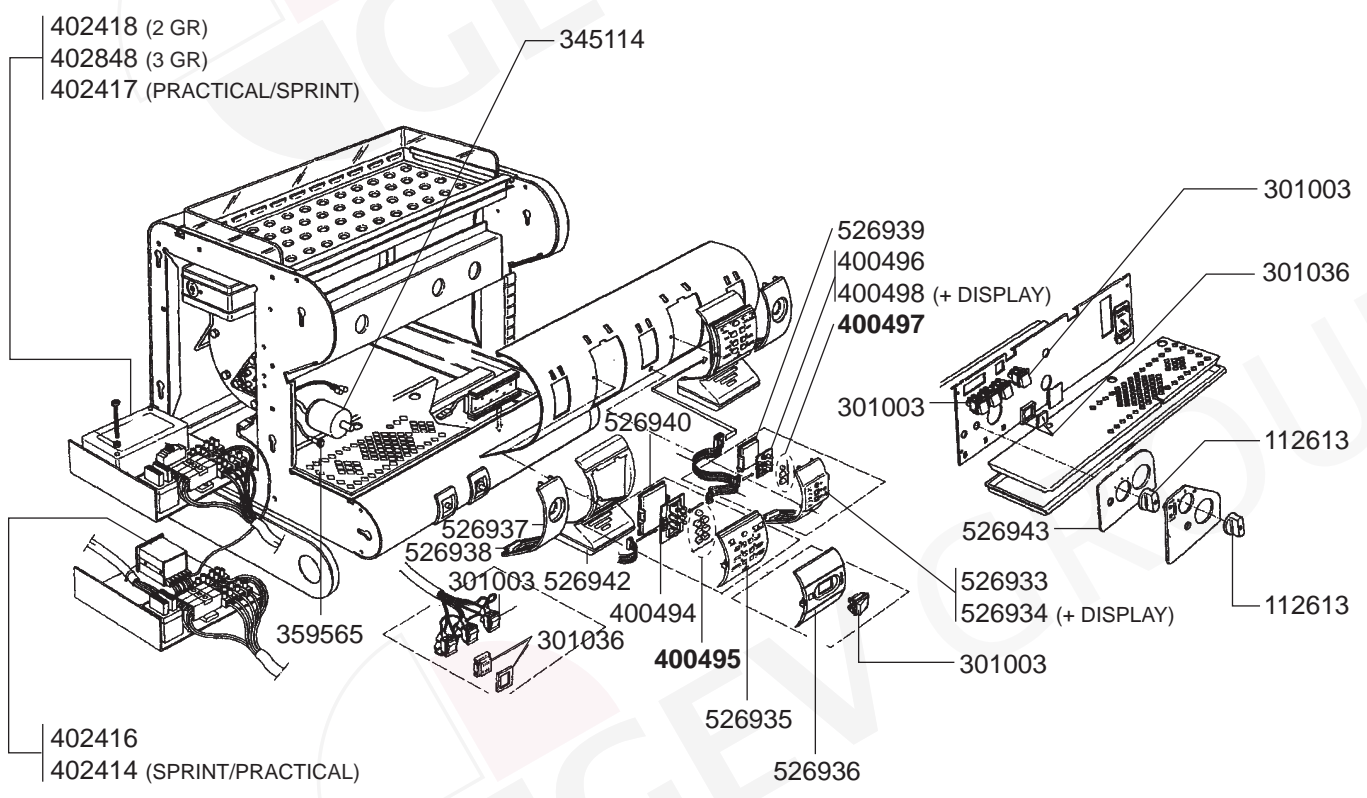
1 ELECTRICAL COMPONENTS 105

ESPRESSO MACHINES

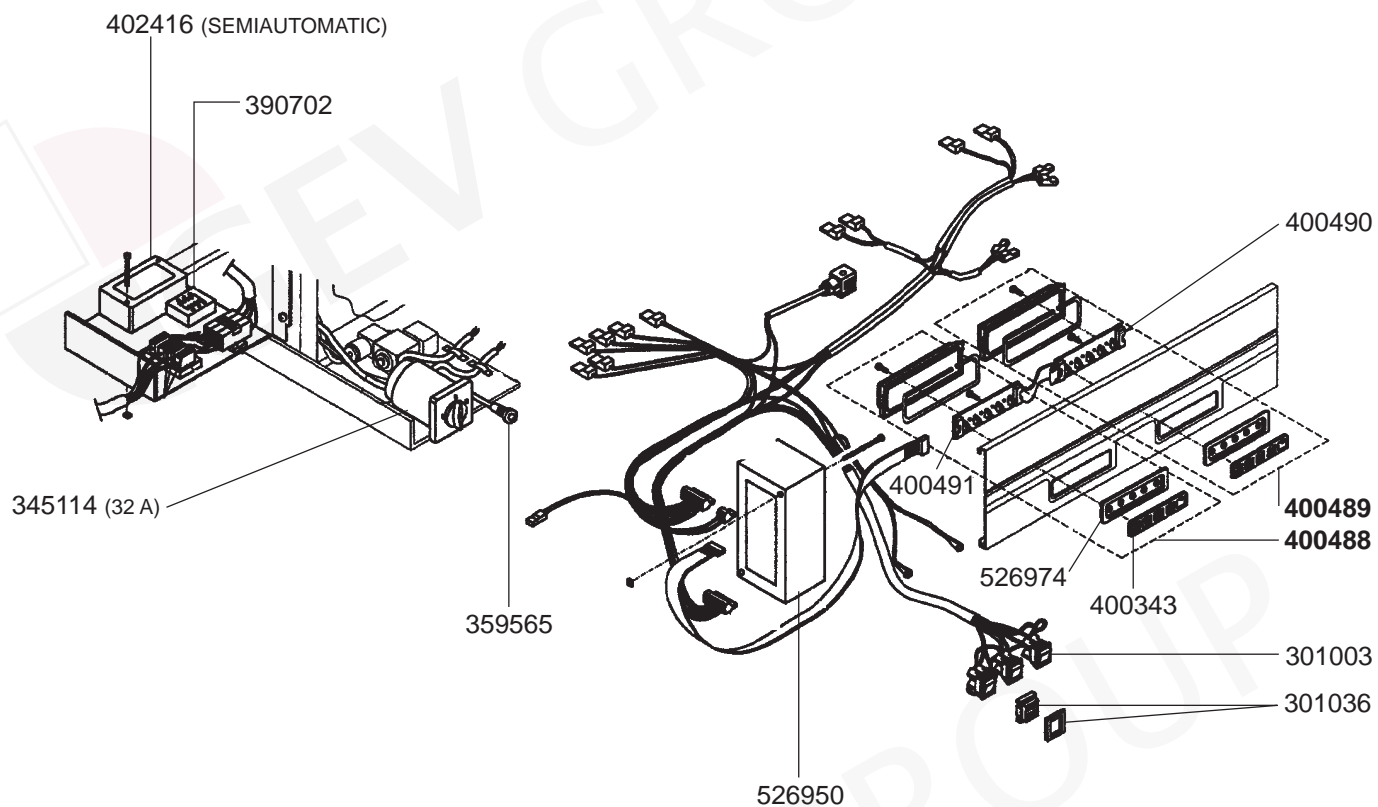
MOD. D



ELECTRICAL COMPONENTS 95



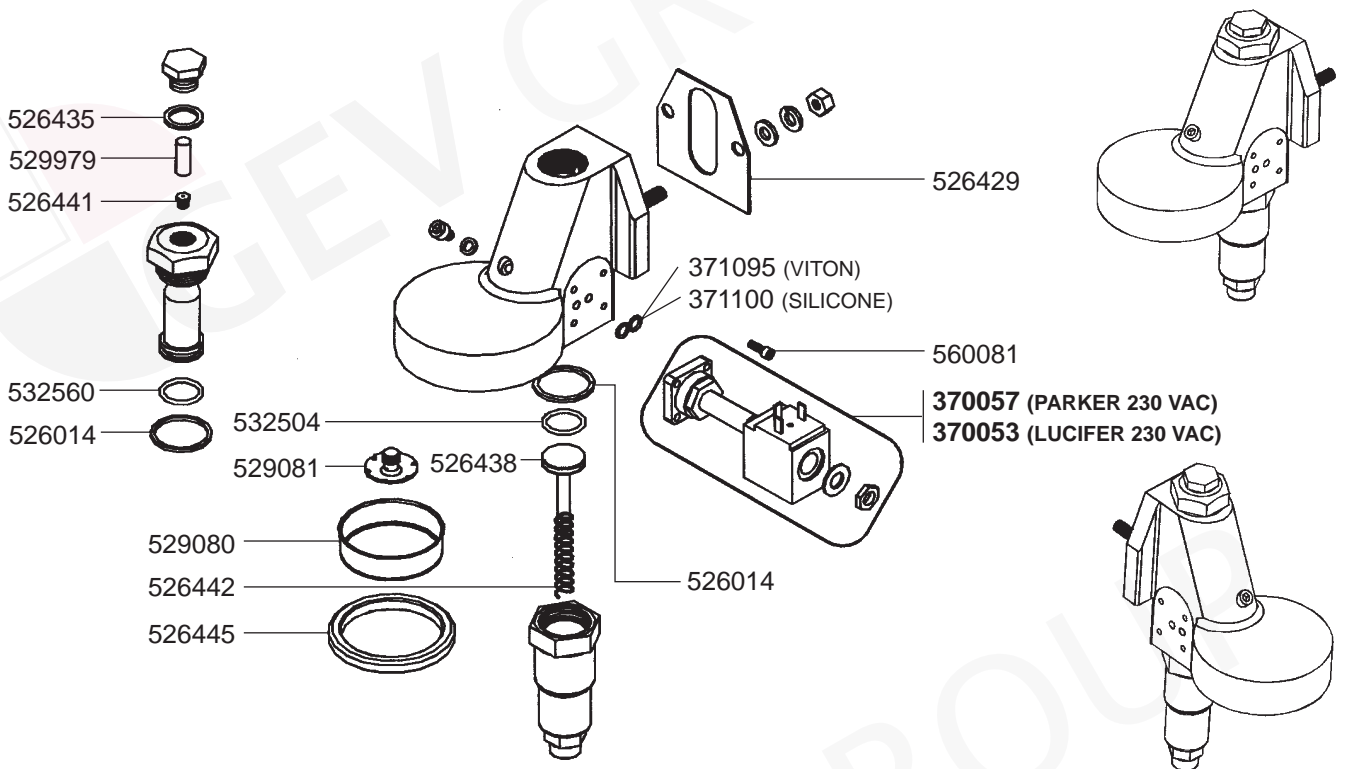
ELECTRICAL COMPONENTS 85



ELECTRICAL COMPONENTS VARIOUS



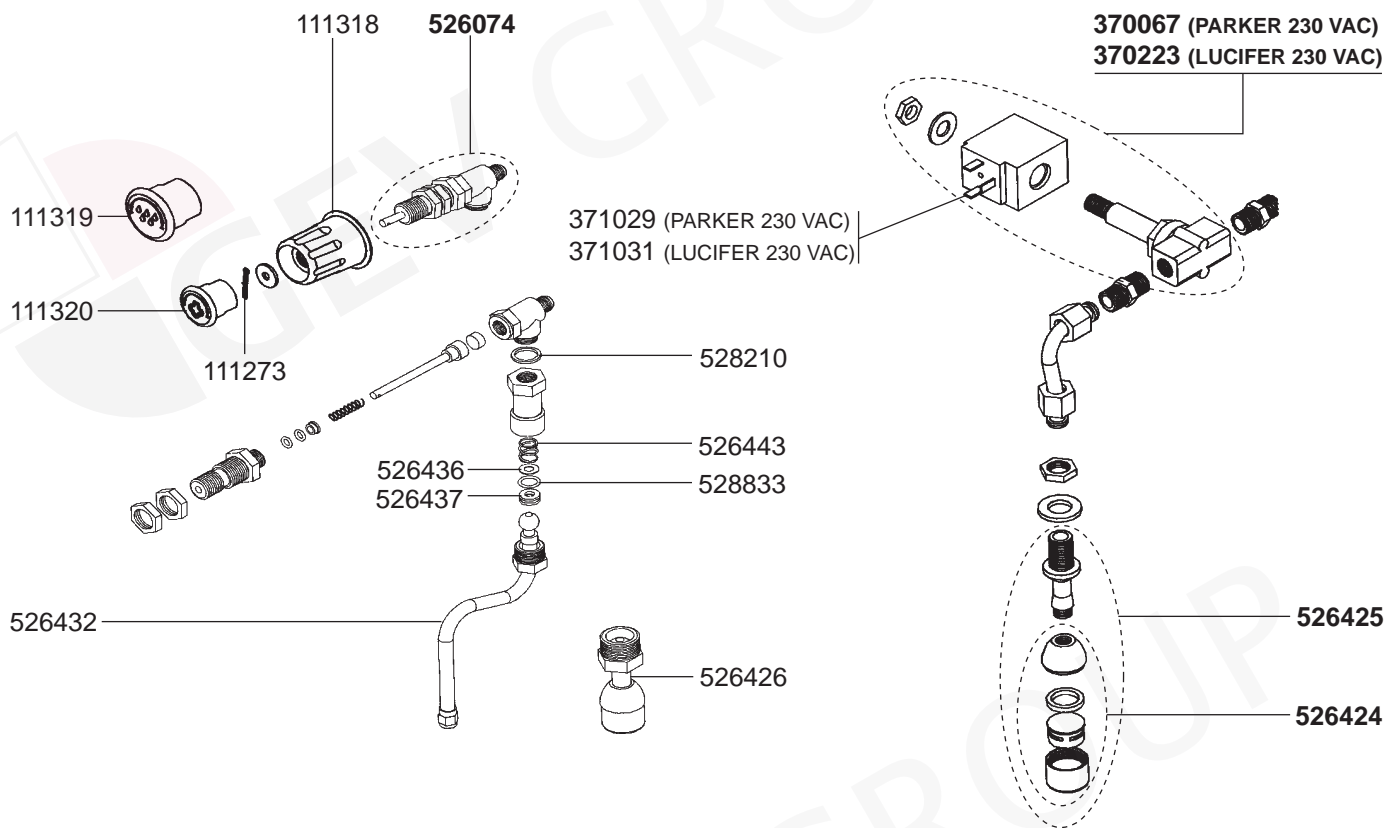
GROUP



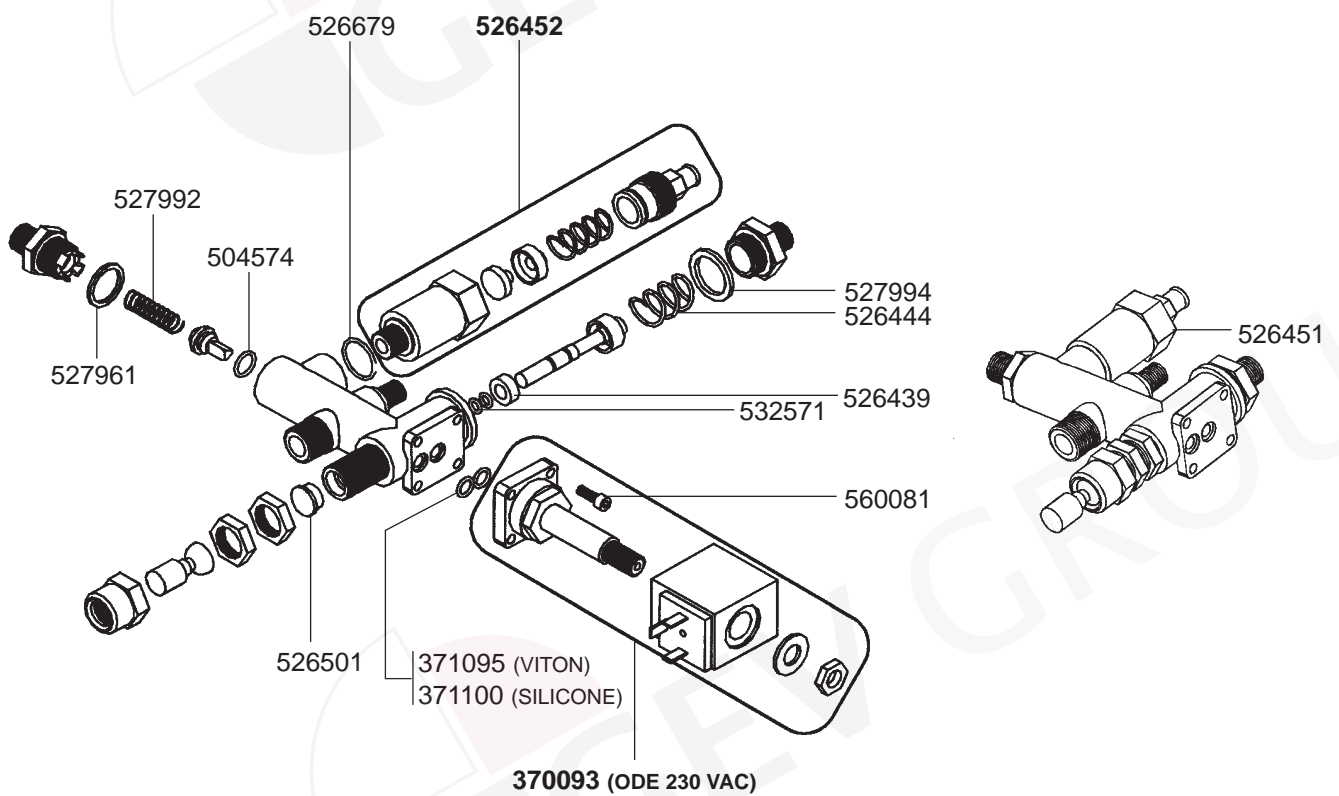
FILTER HOLDERS



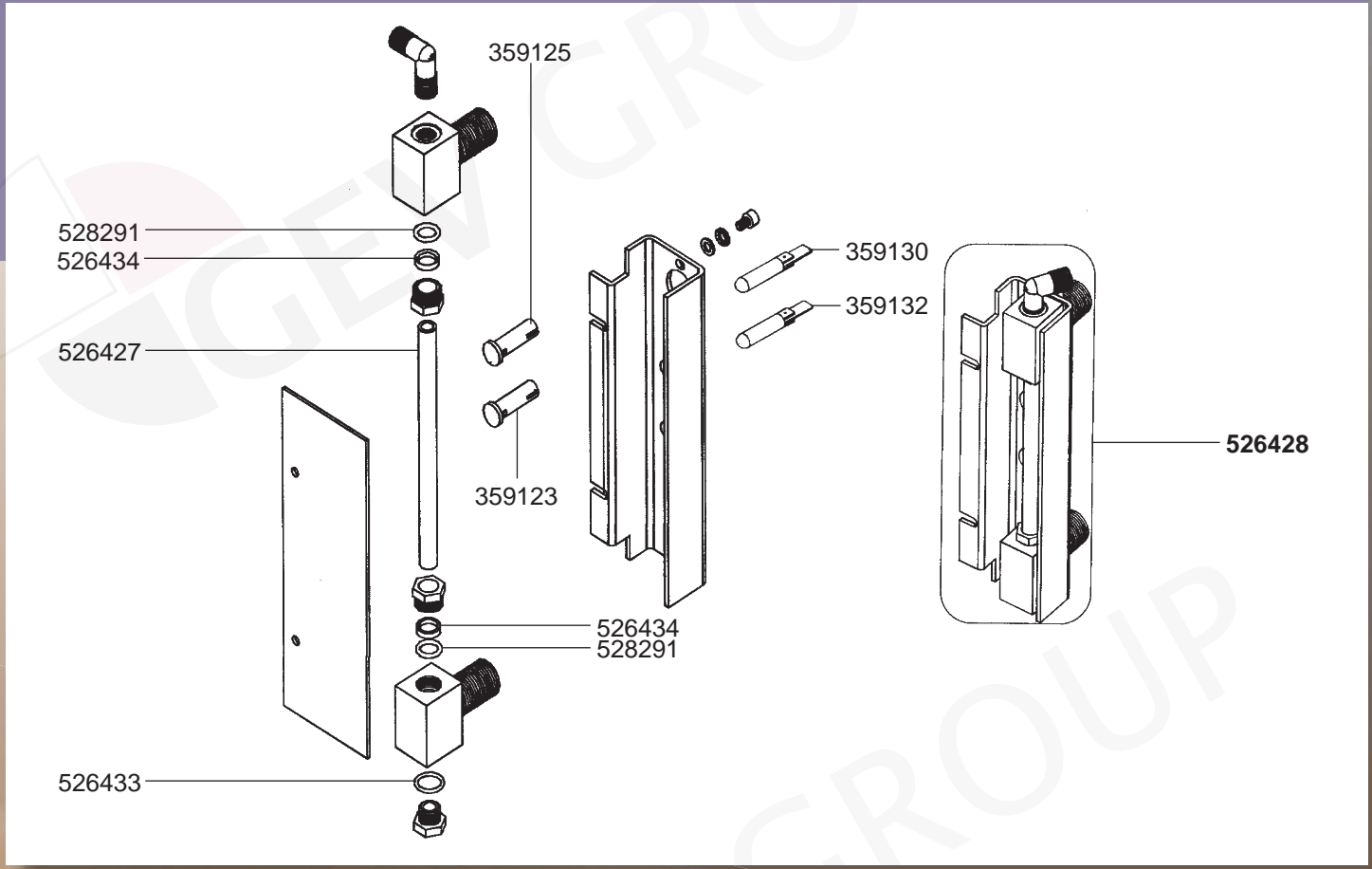
STEAM/WATER TAPS



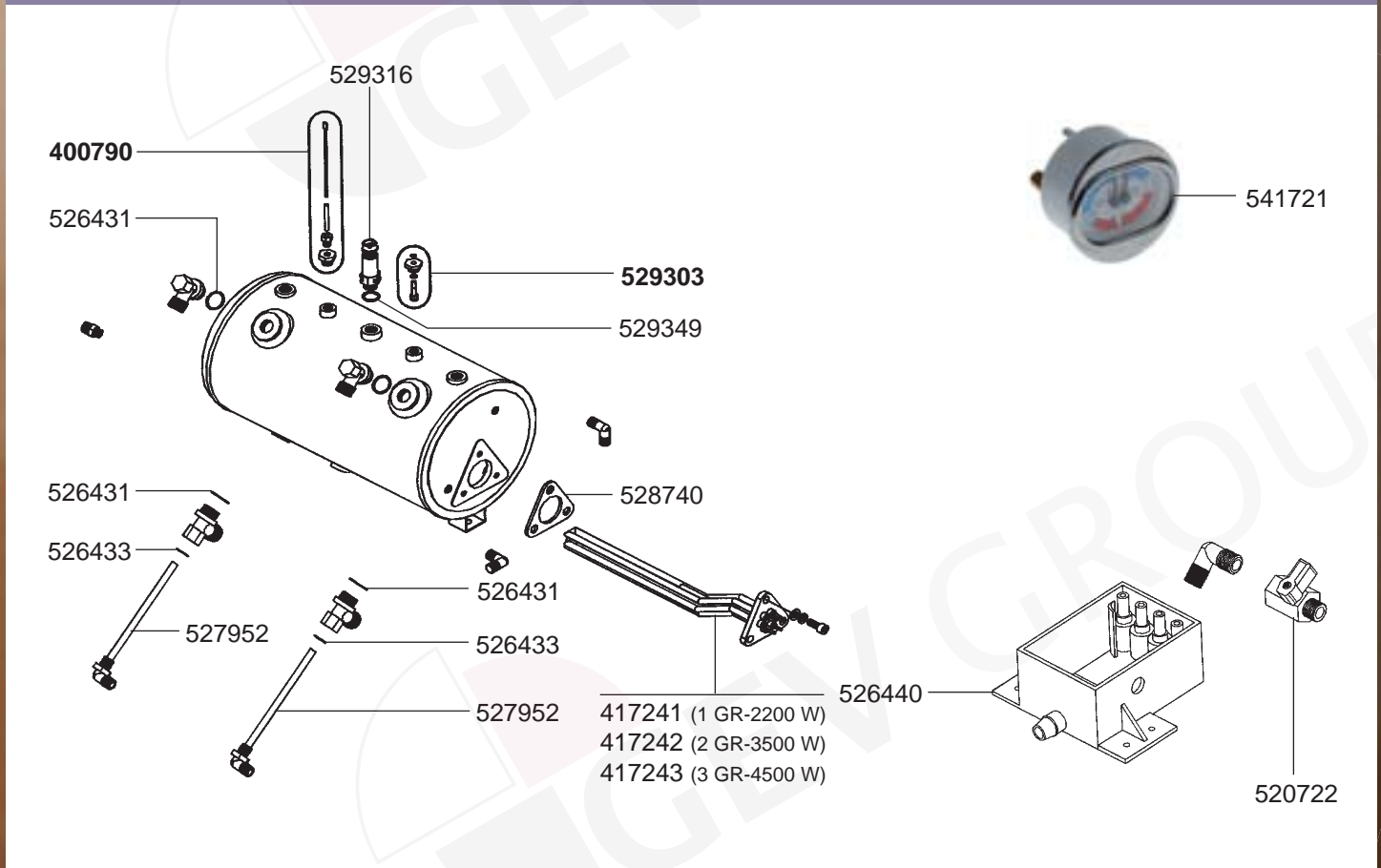
VALVES



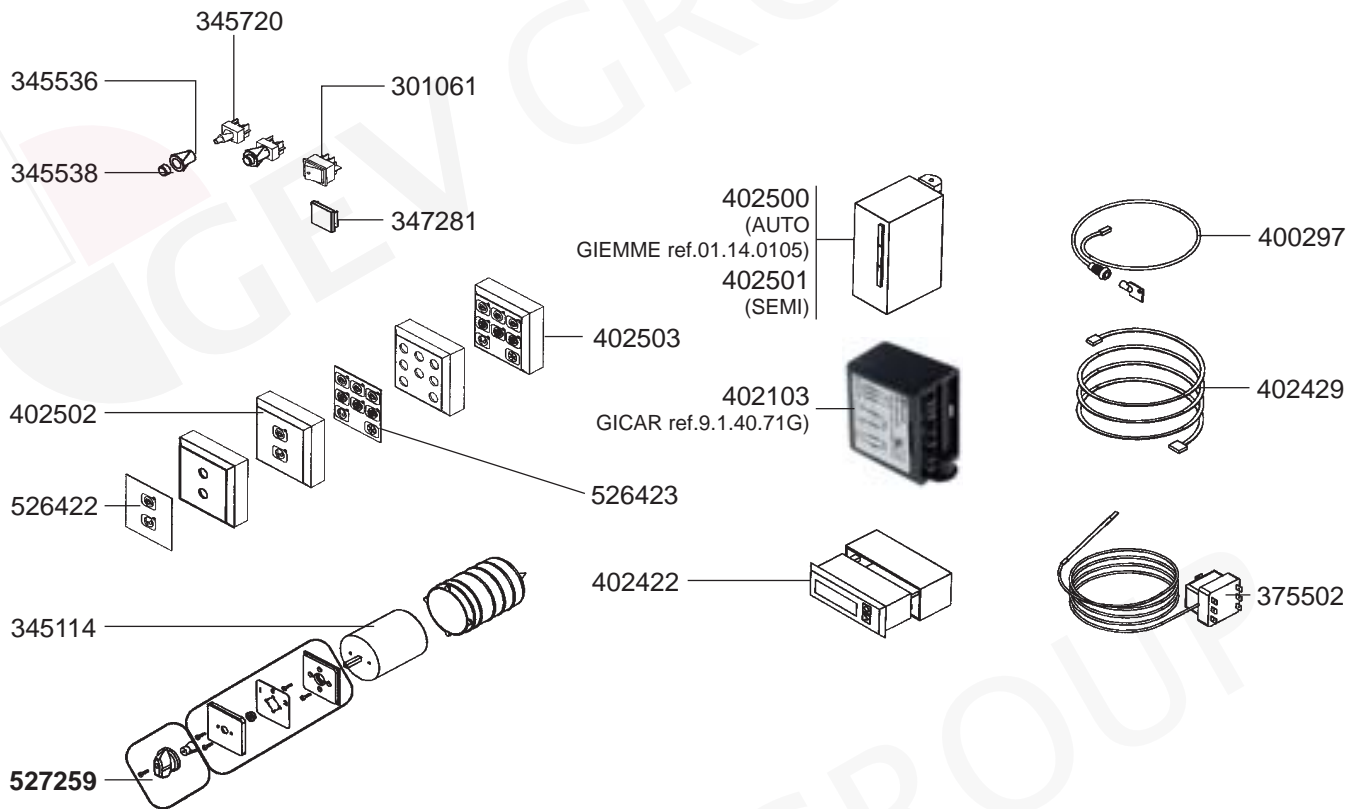
LEVEL INDICATOR



BOILER/MANOMETER/DRIP TRAY VARIOUS



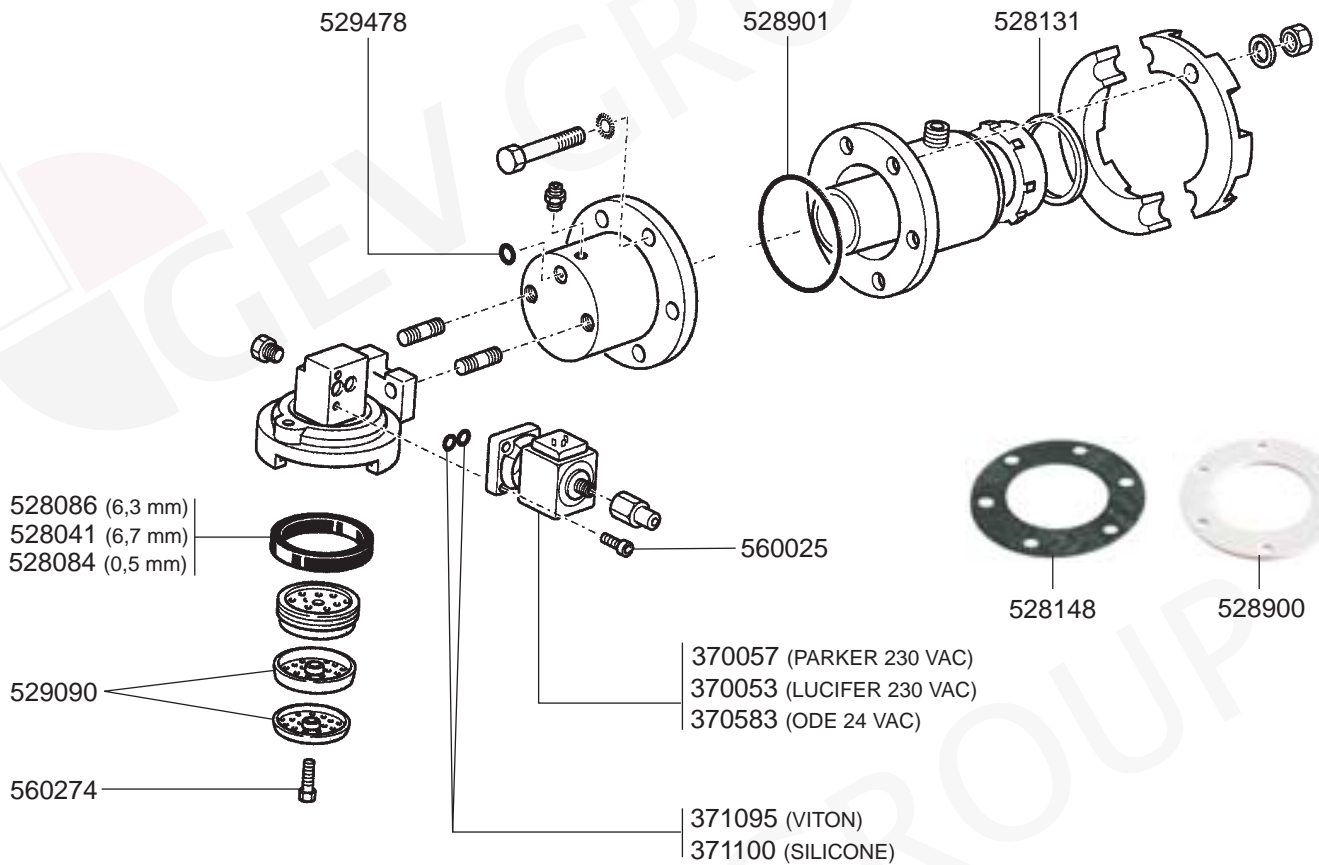
ELECTRICAL COMPONENTS



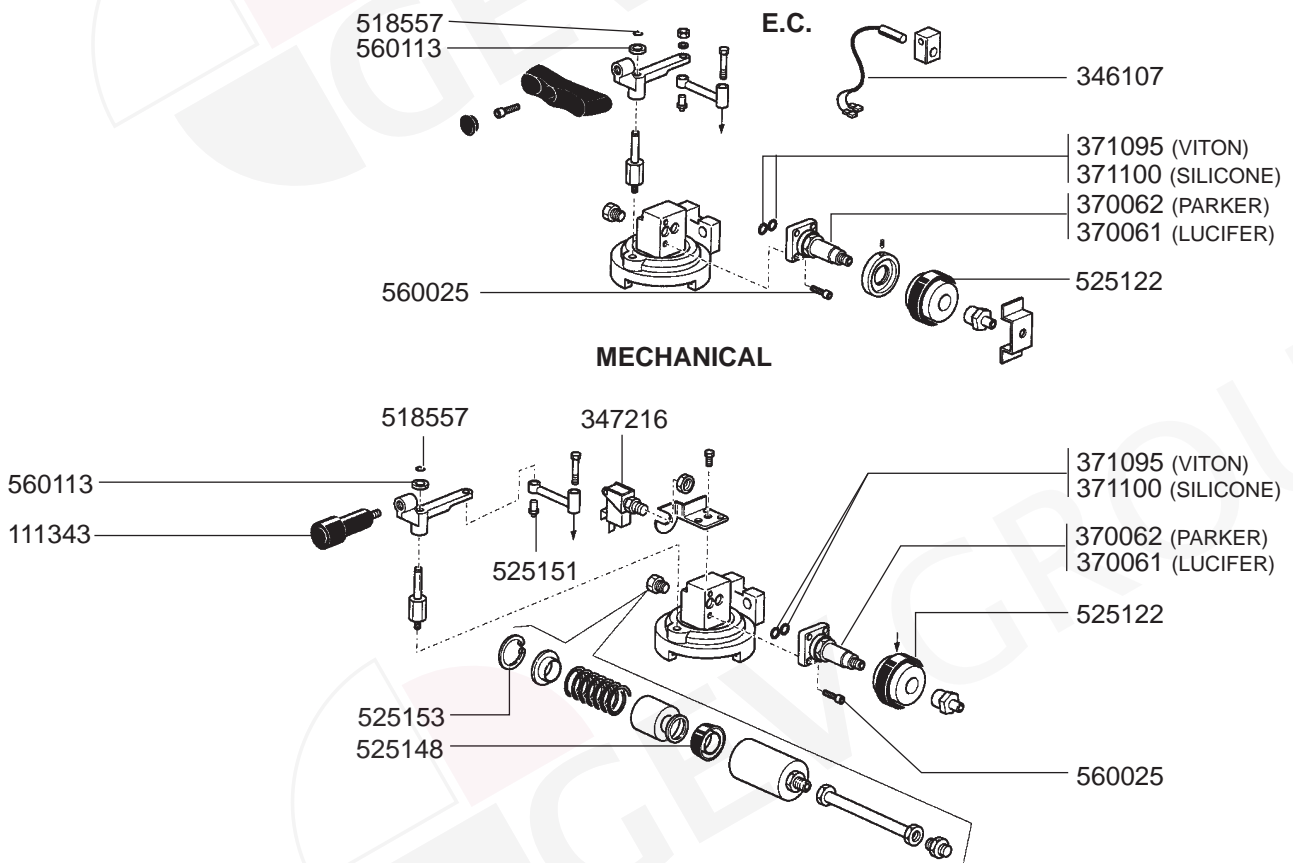
ELECTRICAL COMPONENTS VARIOUS



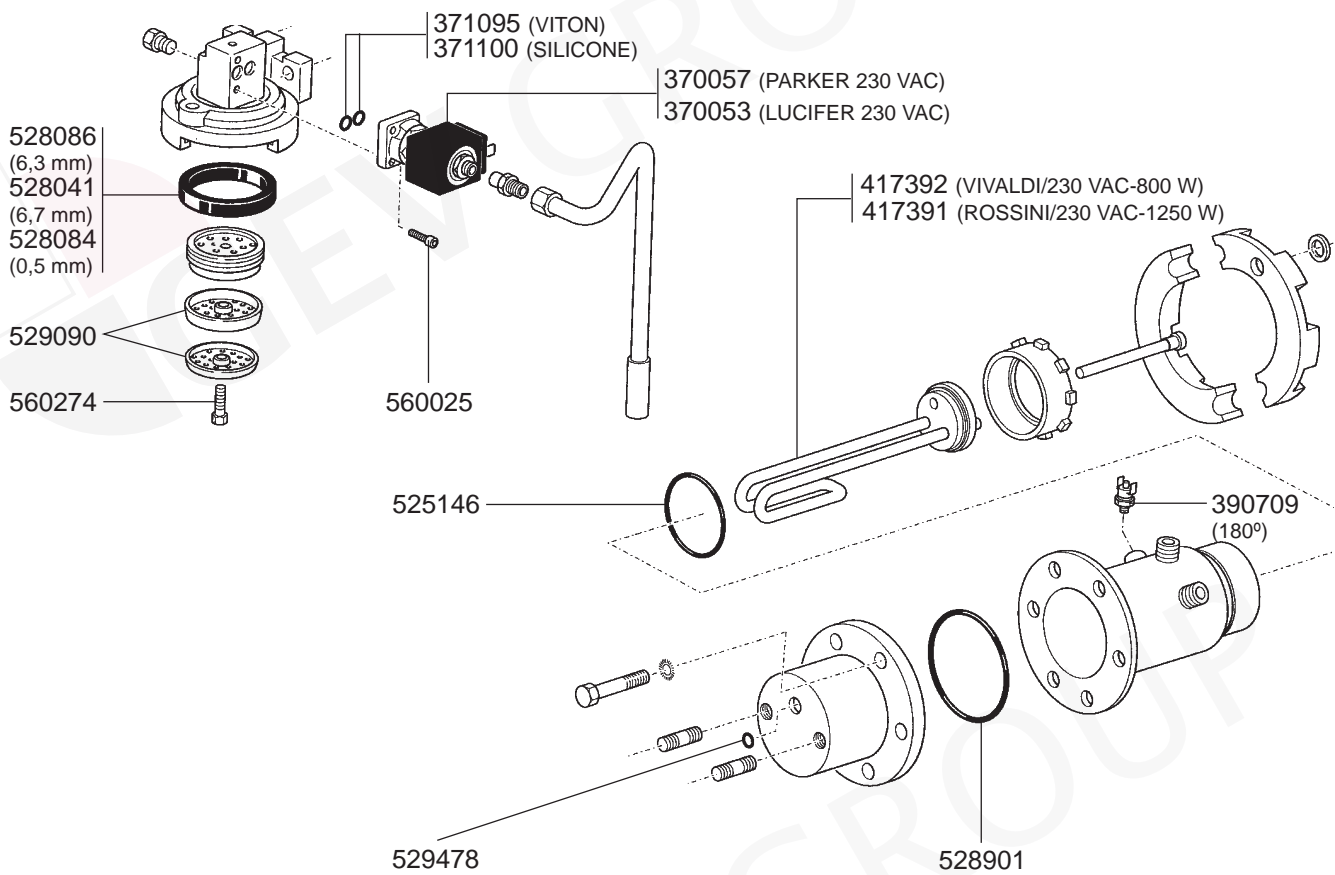
ELECTRIC GROUP



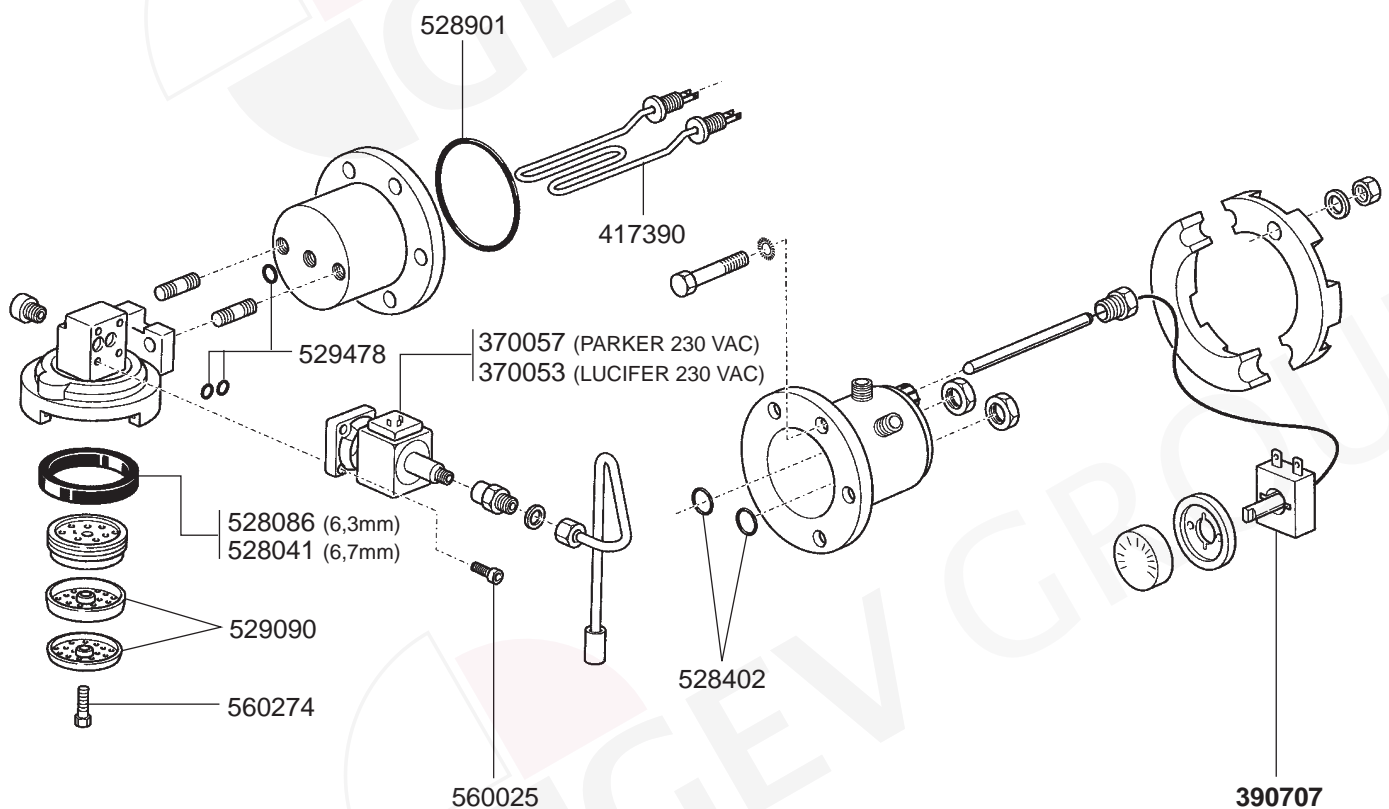
E.C GROUP/MECHANICAL GROUP



GROUP S-1



GROUP PROFESSIONALE



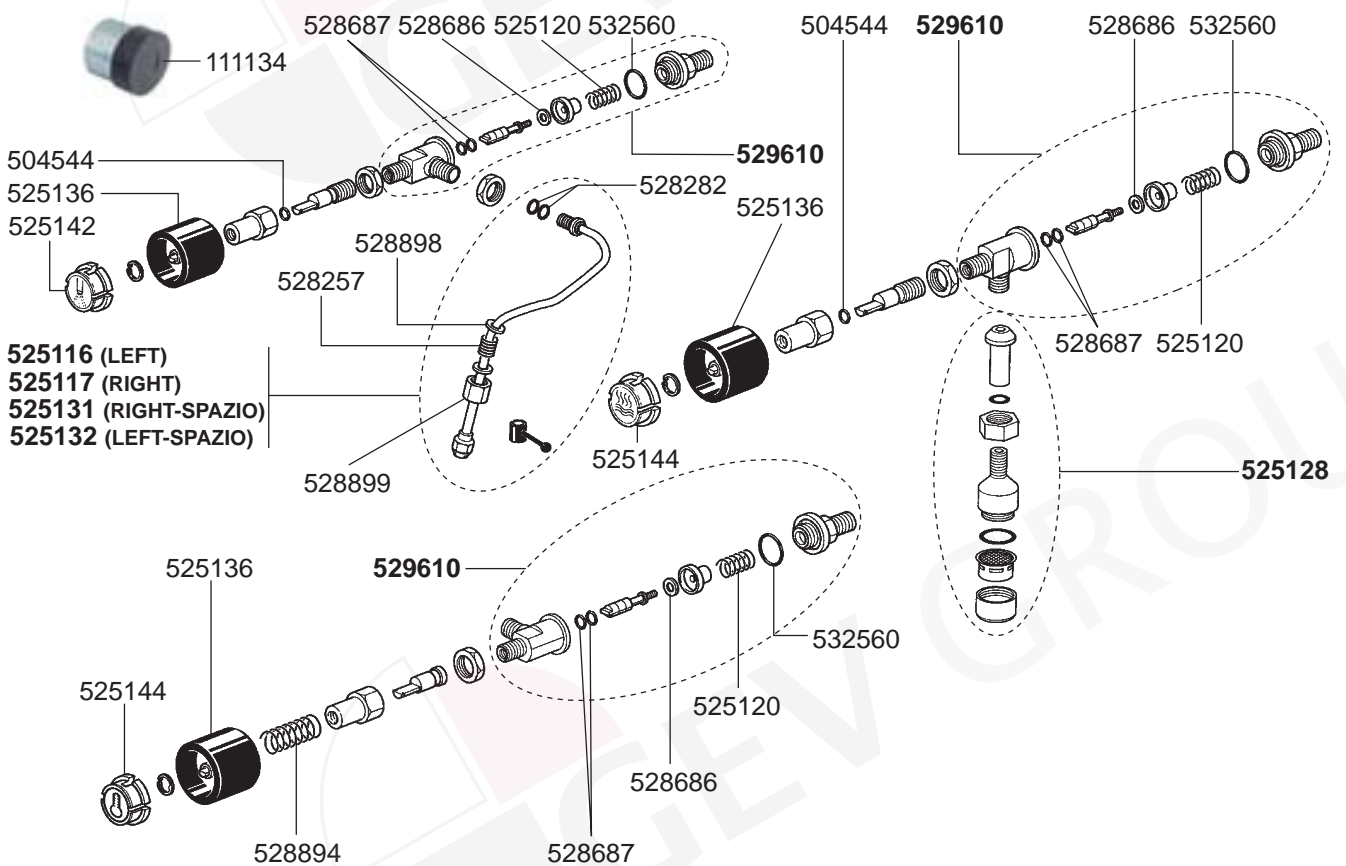
LA SPAZIALE - ESPRESSO MACHINES

1
ESPRESSO MACHINES

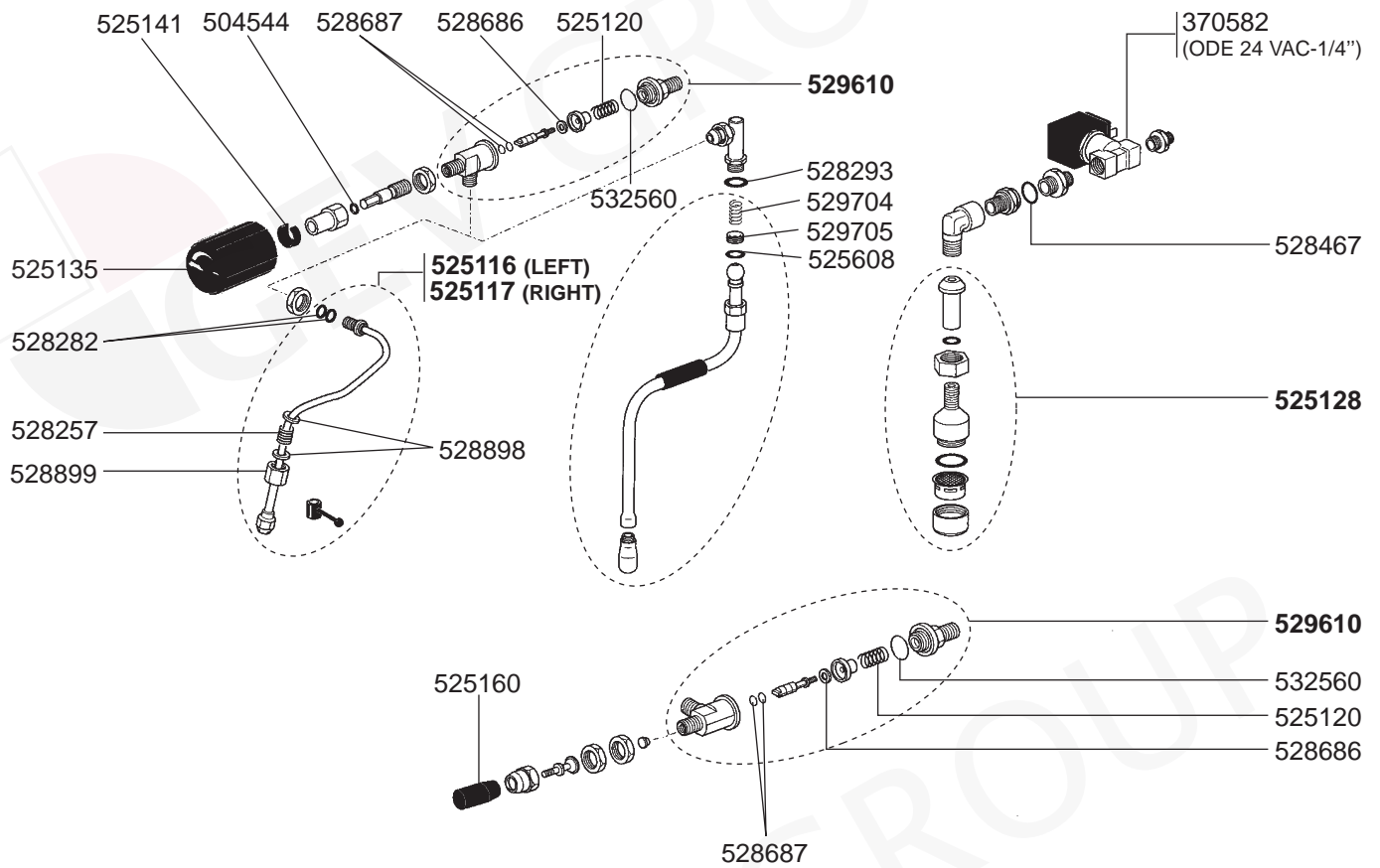
FILTER HOLDERS



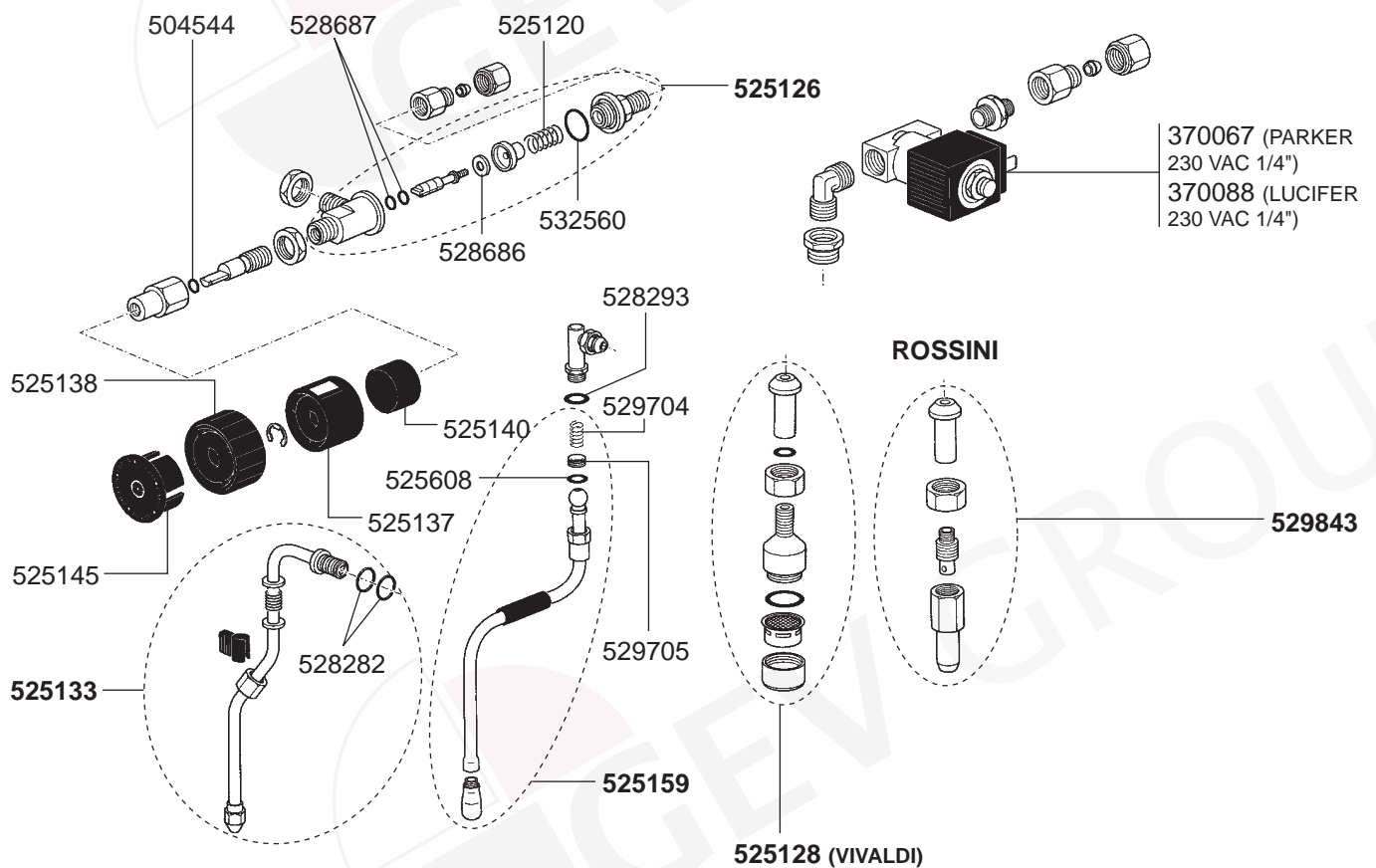
STEAM/WATER TAPS NEW/SUPER 3000/RAPID/SPAZIO



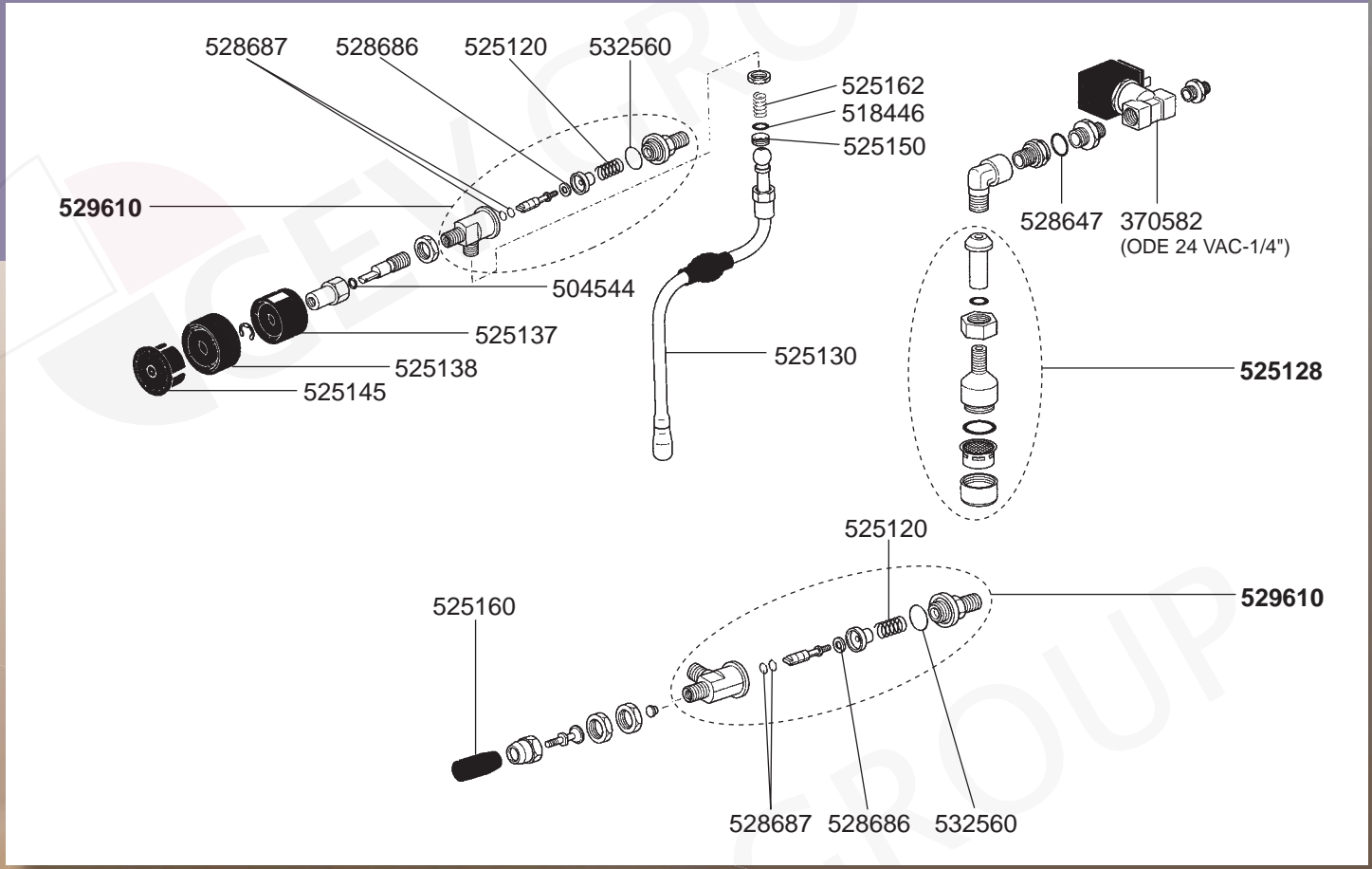
STEAM/WATER TAPS S-3



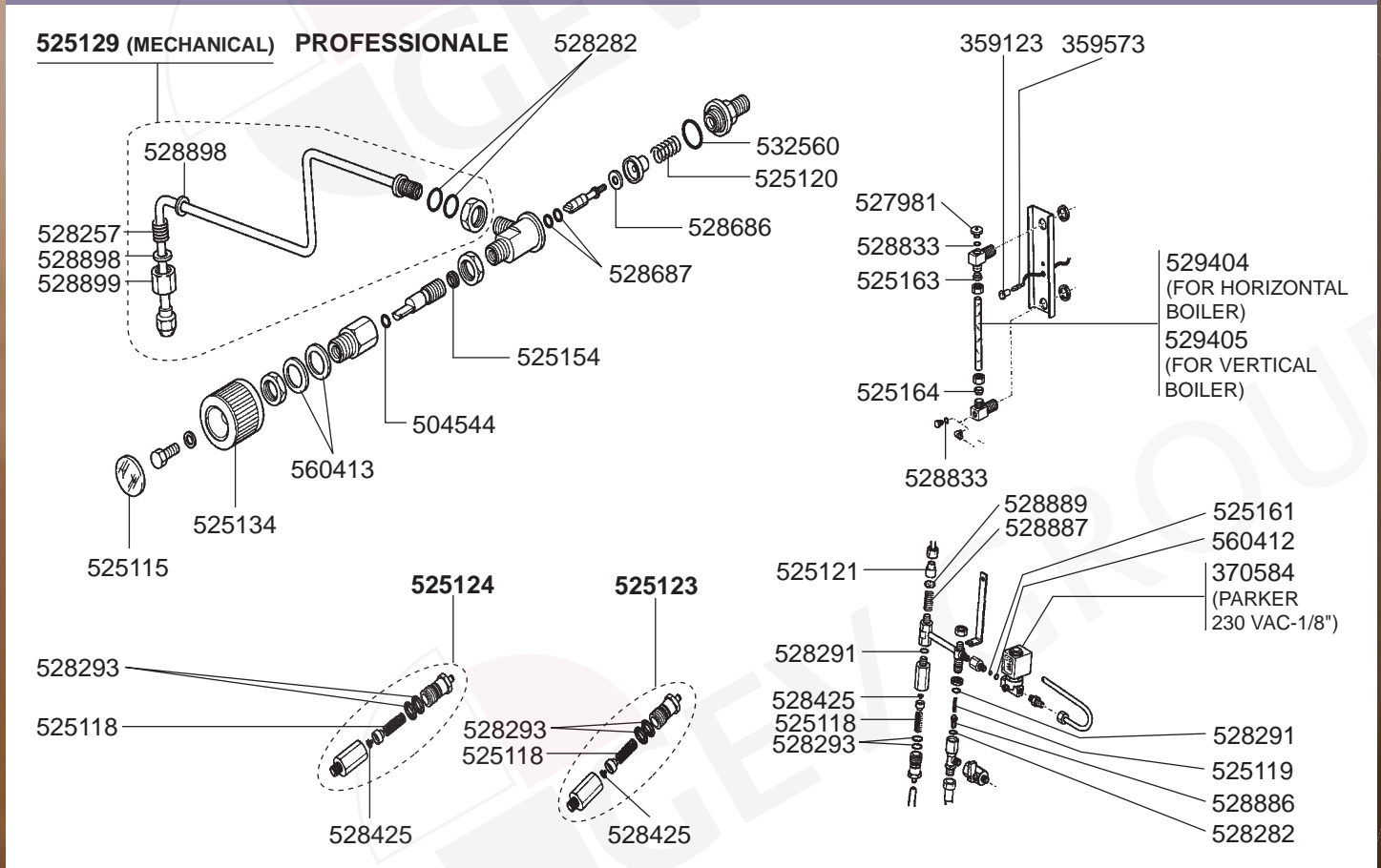
STEAM/WATER TAPS S-1



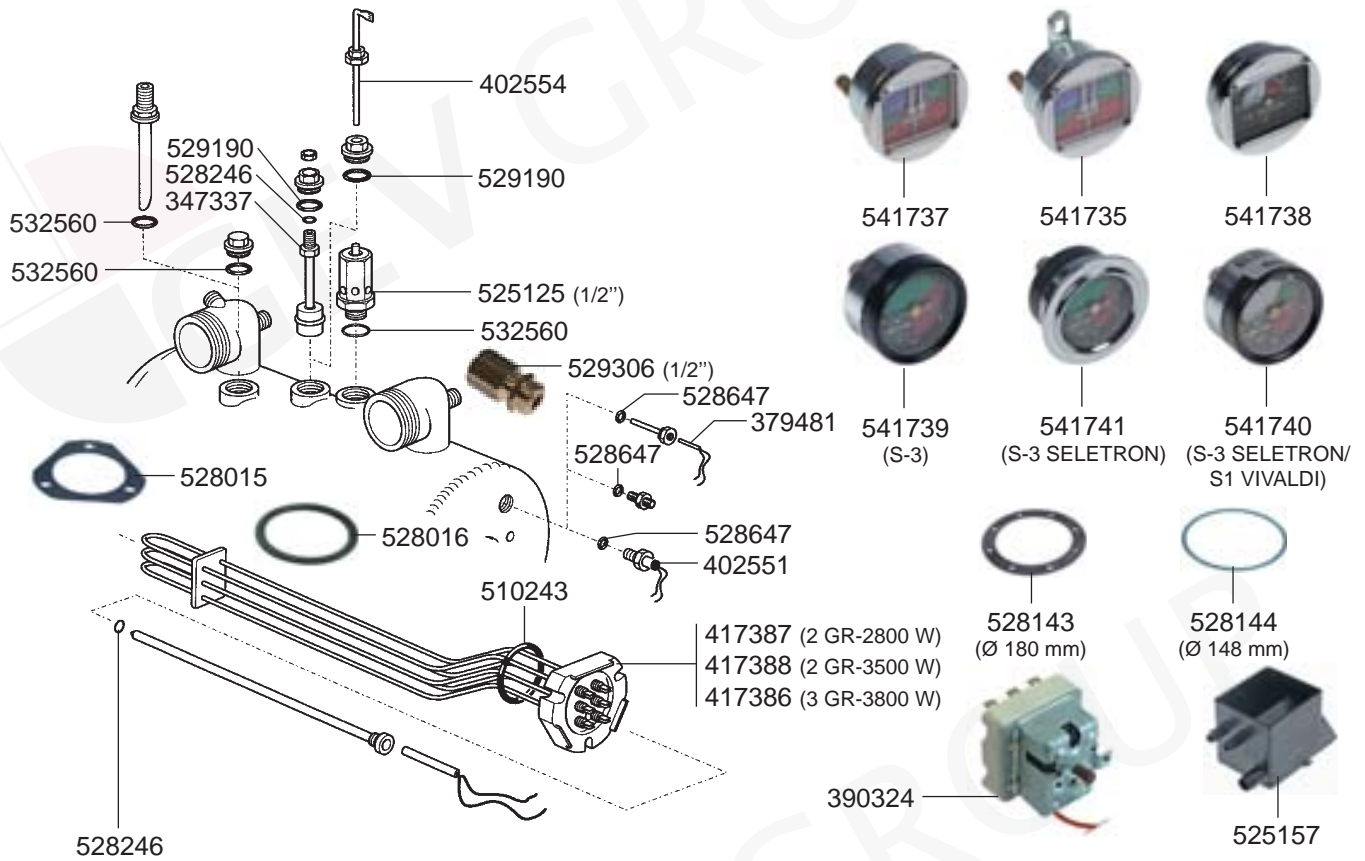
STEAM/WATER TAPS SELETRON PLUS



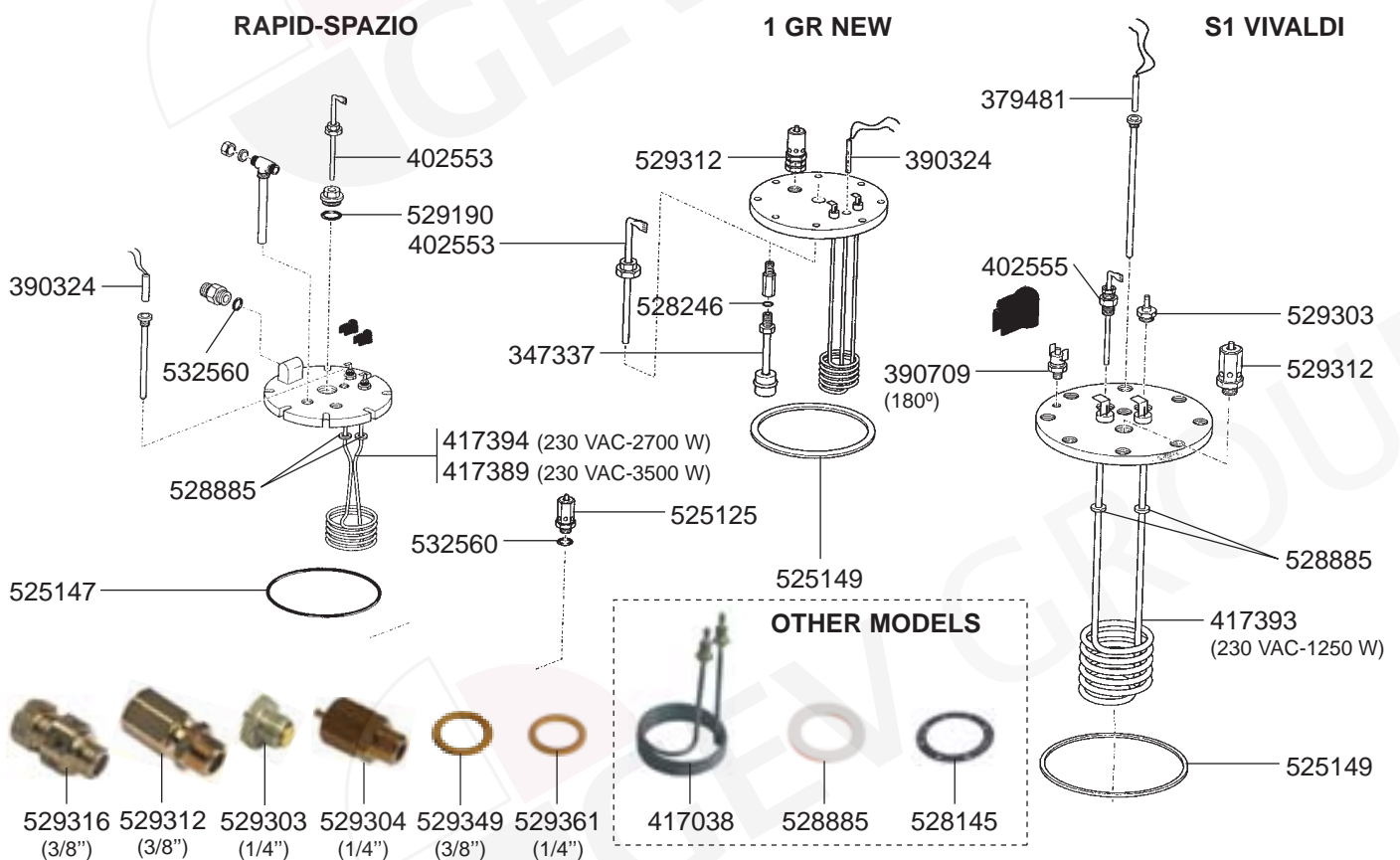
STEAM TAP PROFESSIONALE/LEVEL INDICATOR/VALVES



BOILER NEW/SUPER 3000/SELETRON PLUS/S-3 - MANOMETERS - DRIP TRAY VARIOUS



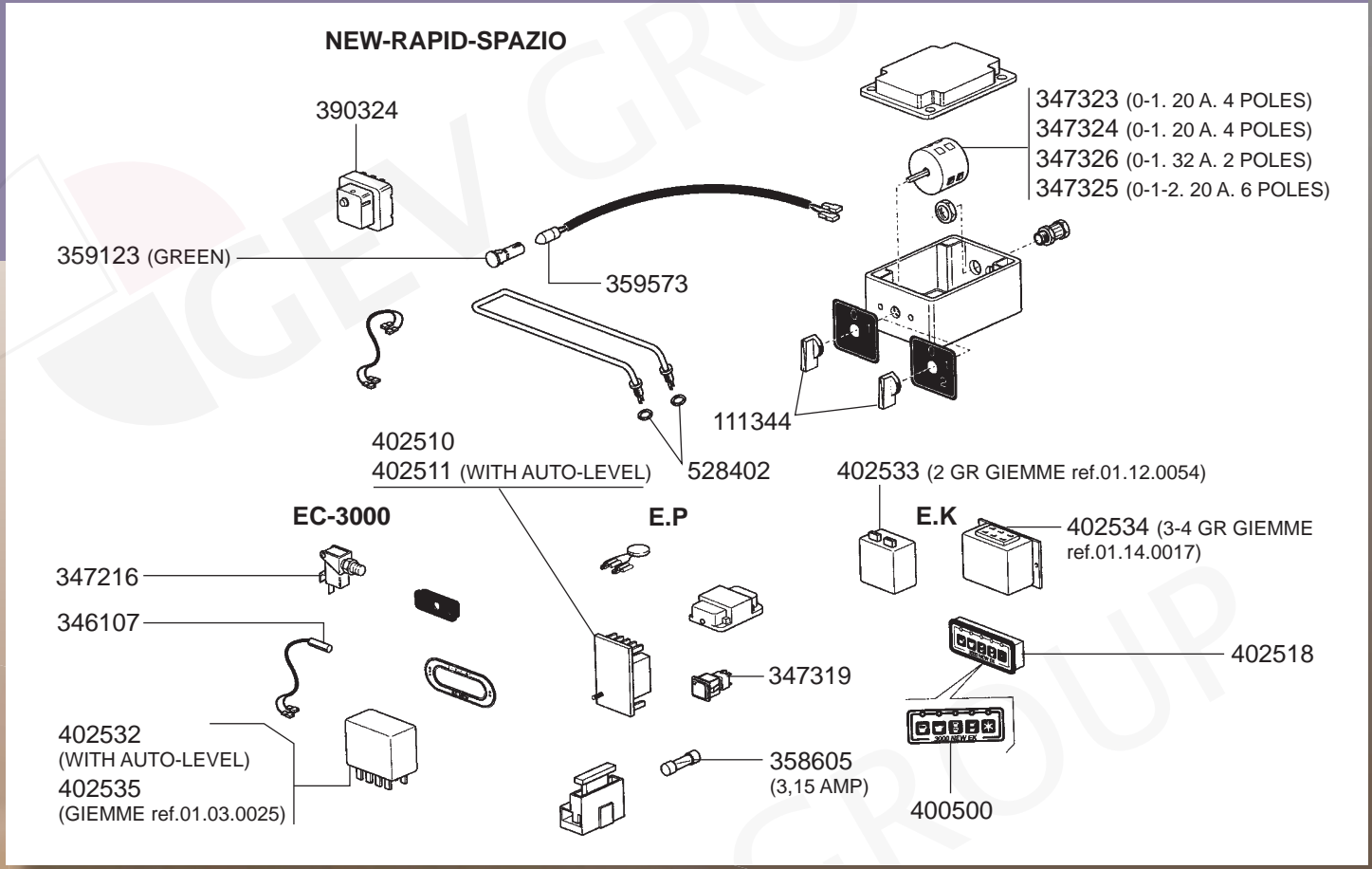
BOILER RAPID-SPAZIO/1GR NEW/S-1 VIVALDI VARIOUS



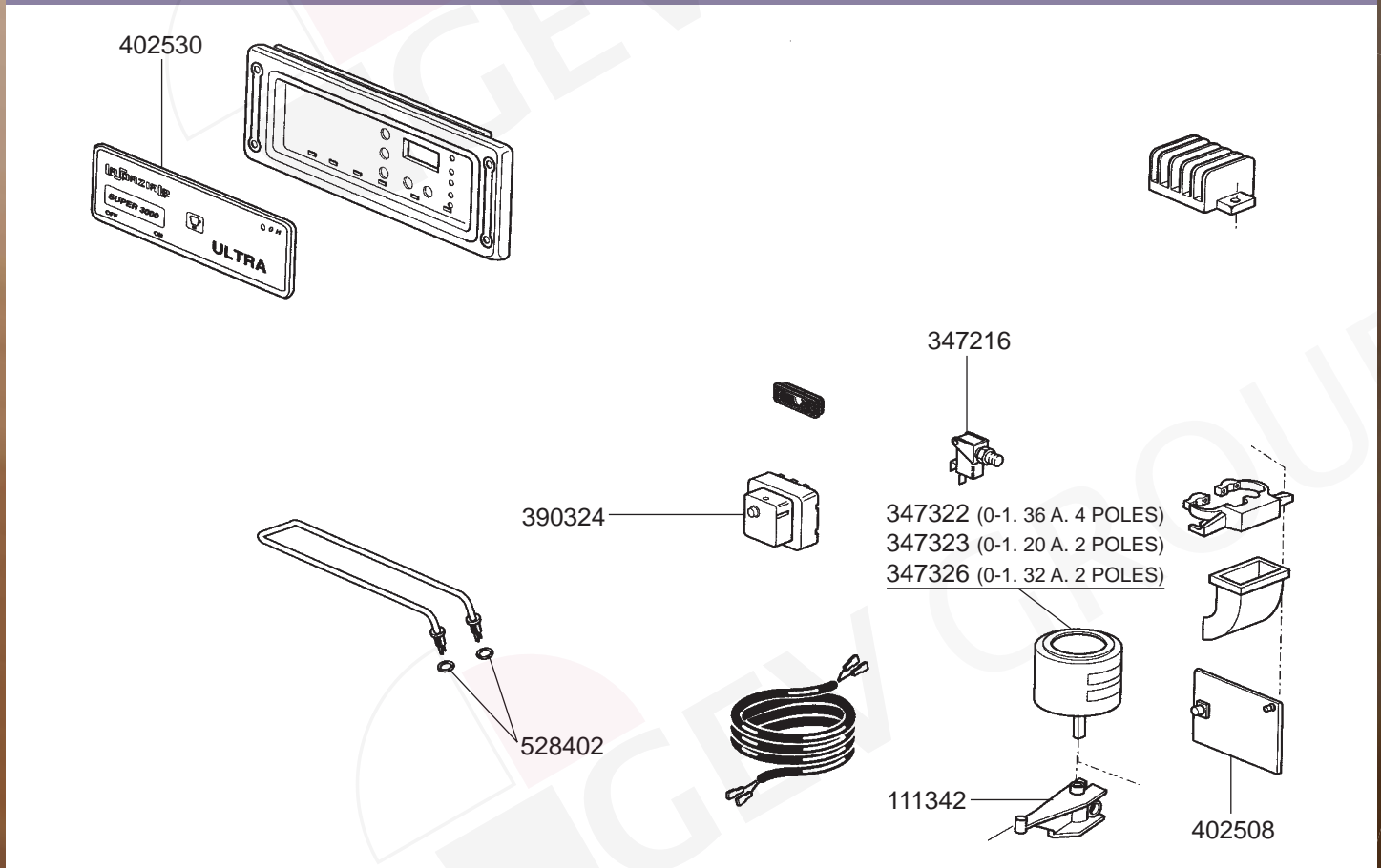
LA SPAZIALE – ESPRESSO MACHINES

1
ESPRESSO MACHINES

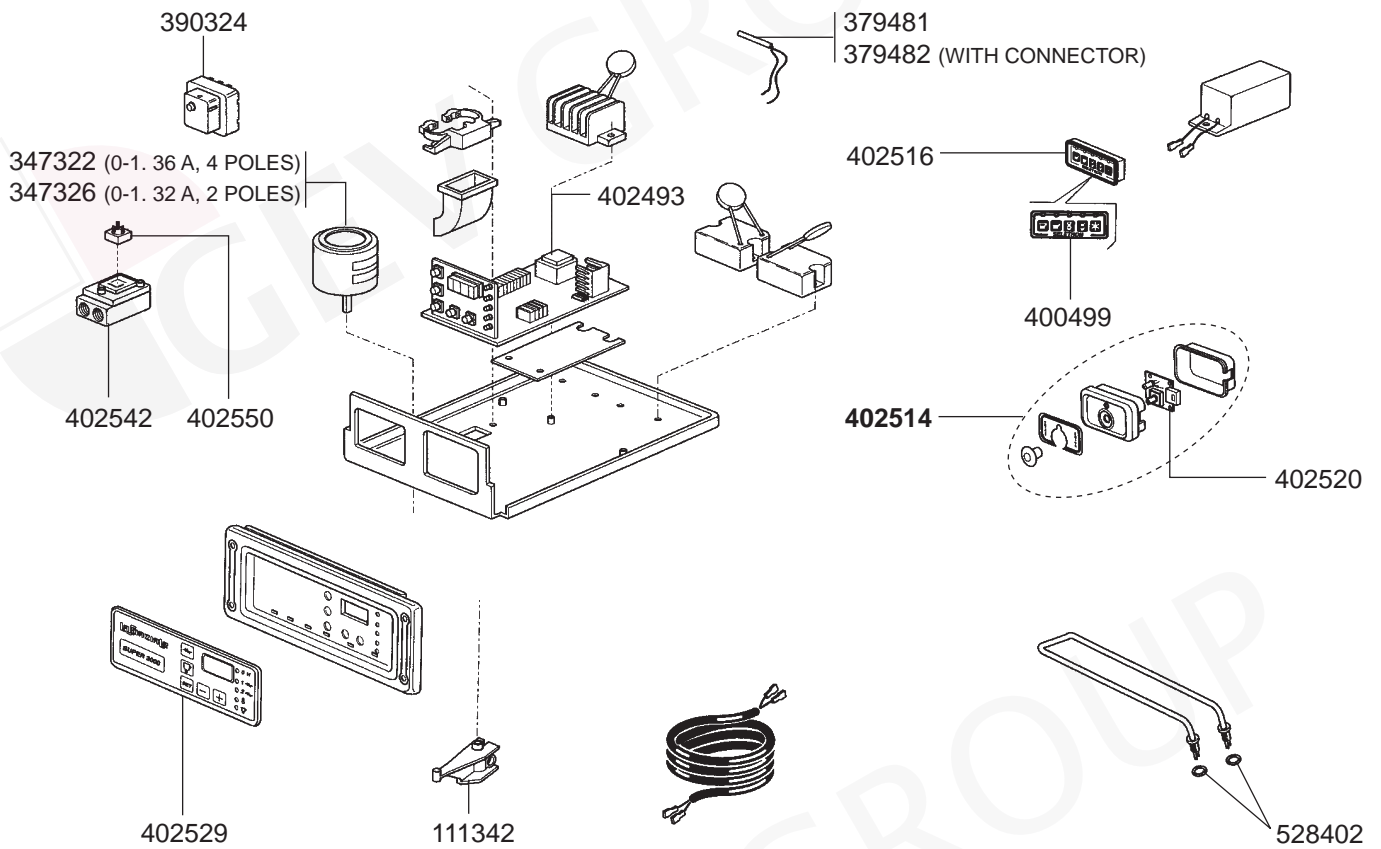
ELECTRICAL COMPONENTS NEW-RAPID-SPAZIO/EC3000/EP/EK



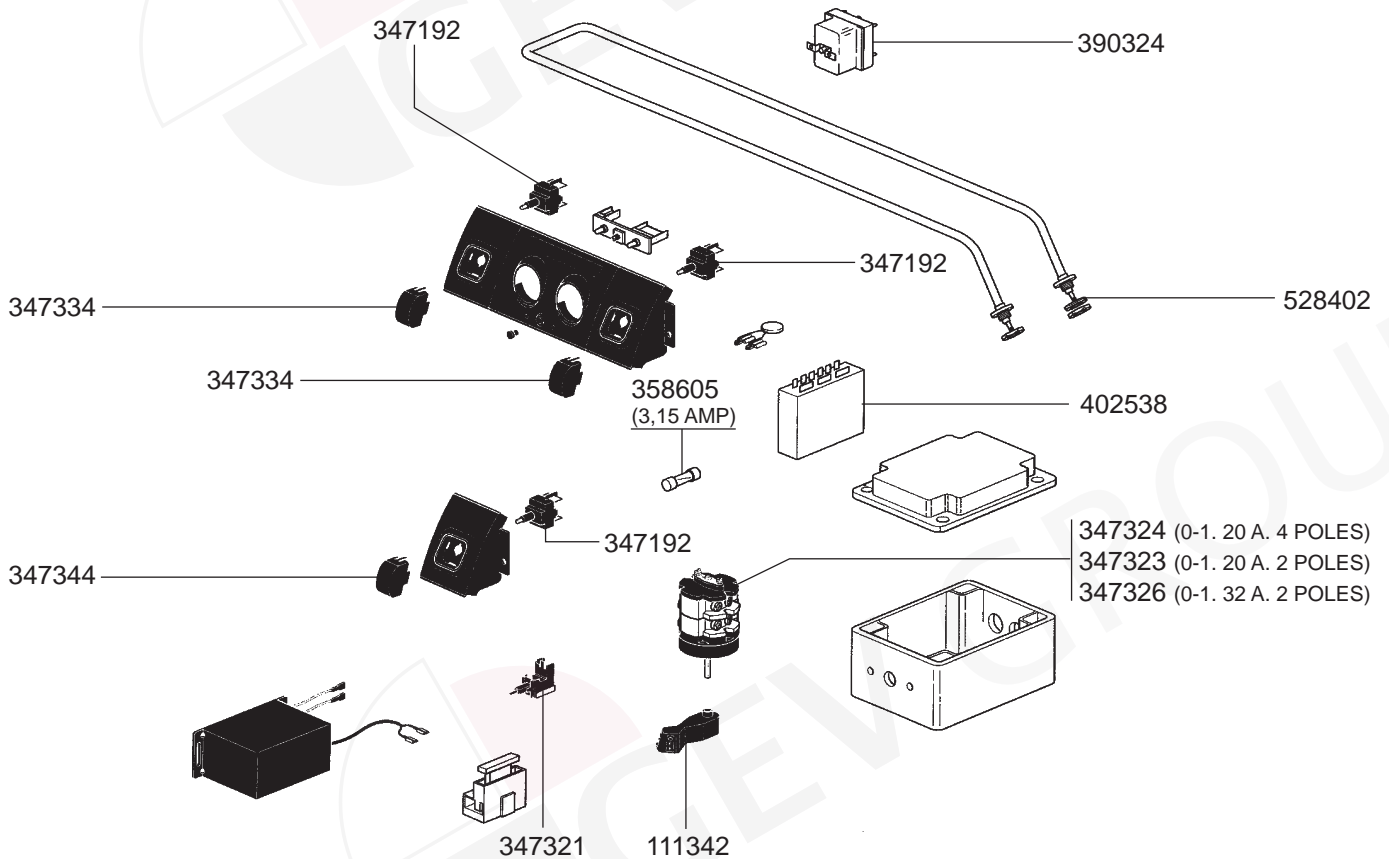
ELECTRICAL COMPONENTS ULTRA



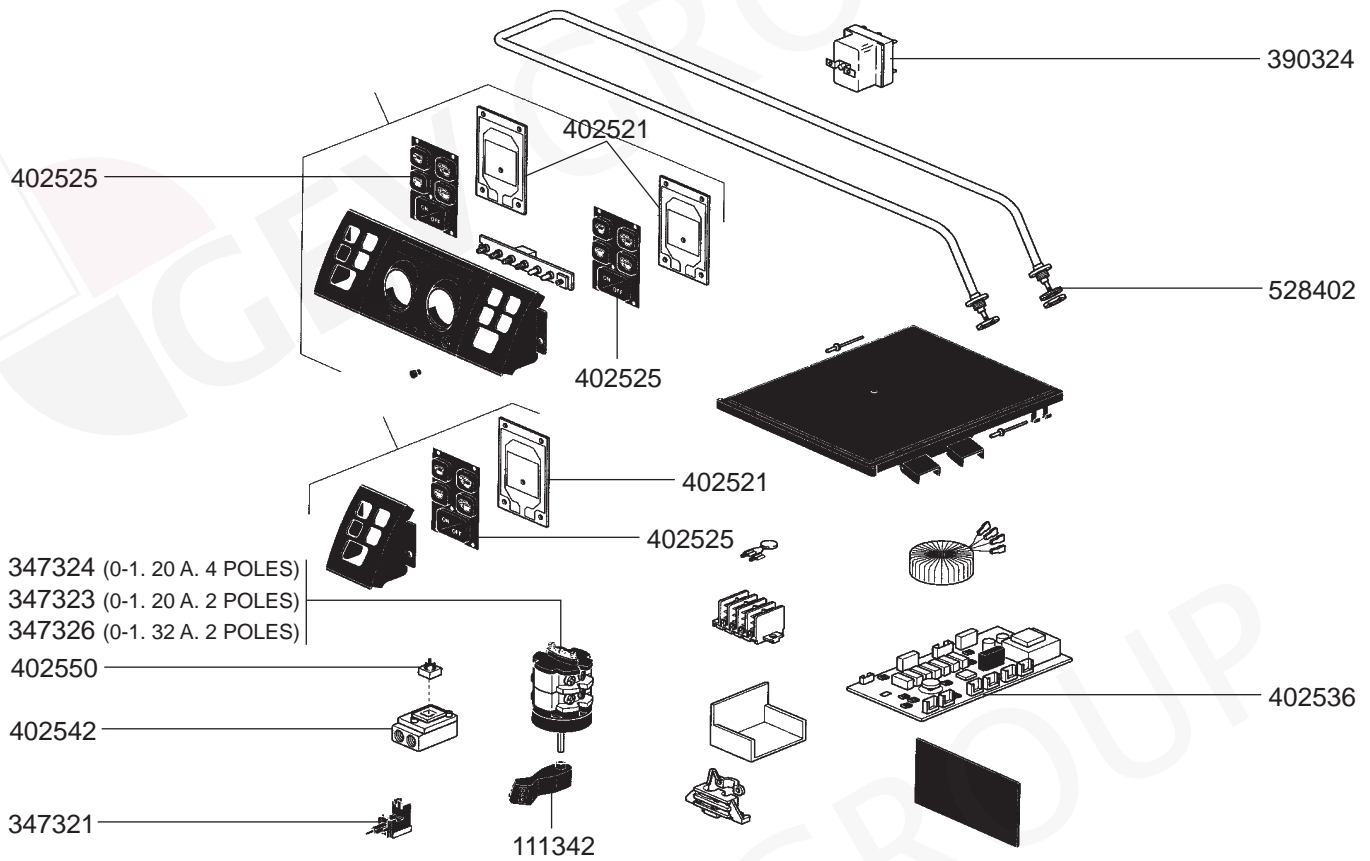
ELECTRICAL COMPONENTS SELETRON/ELETRIK



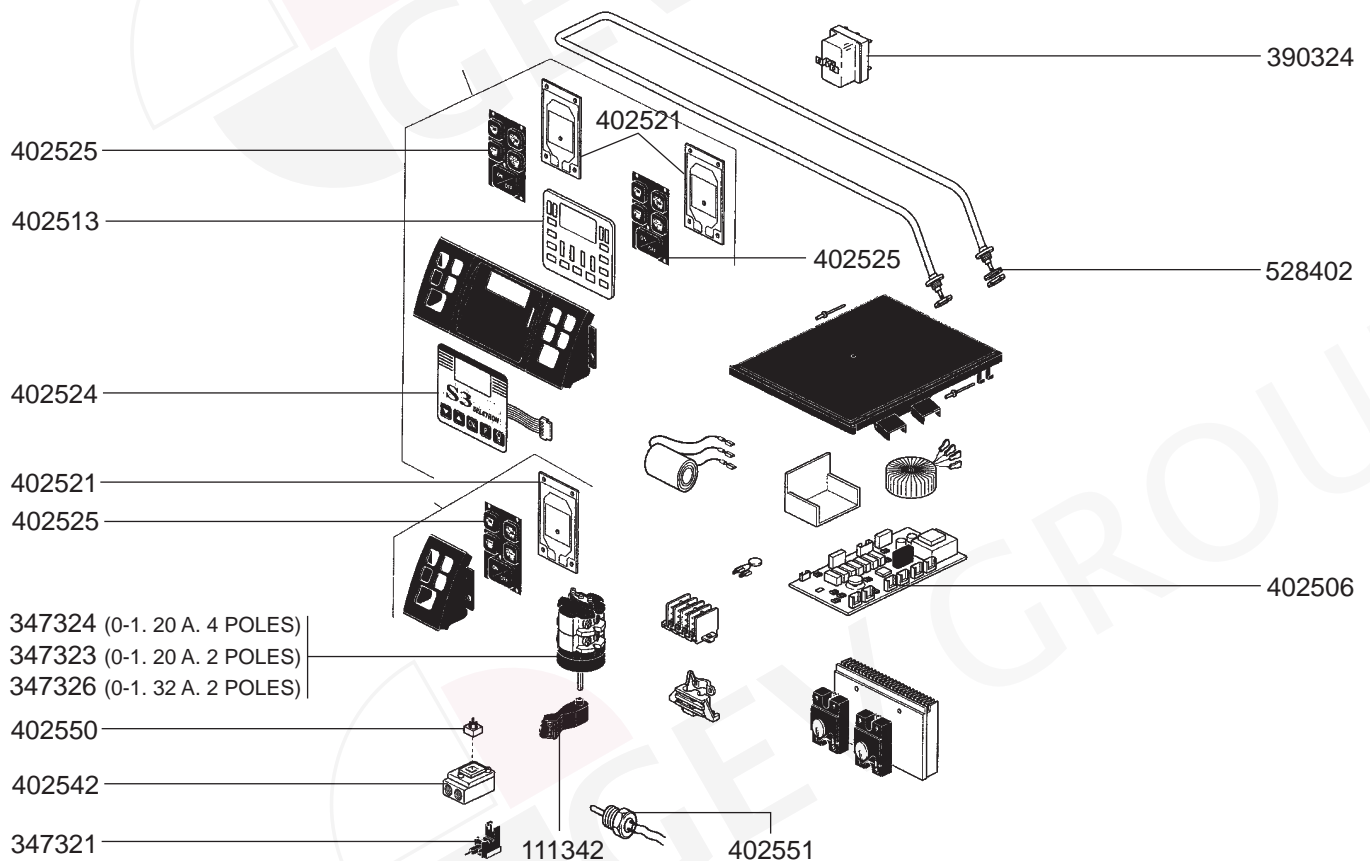
ELECTRICAL COMPONENTS S-3 E.P



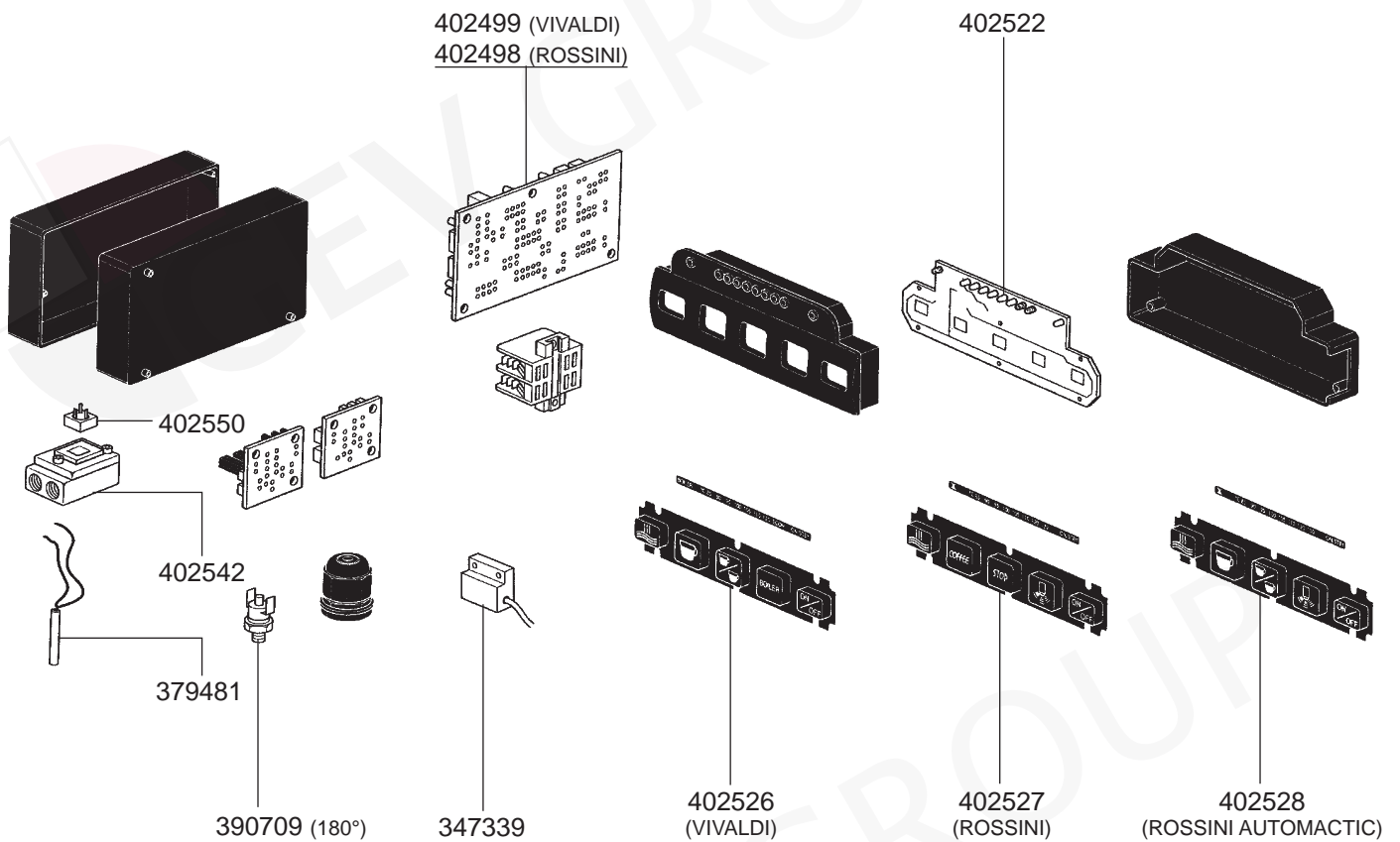
ELECTRICAL COMPONENTS S-3 E.K



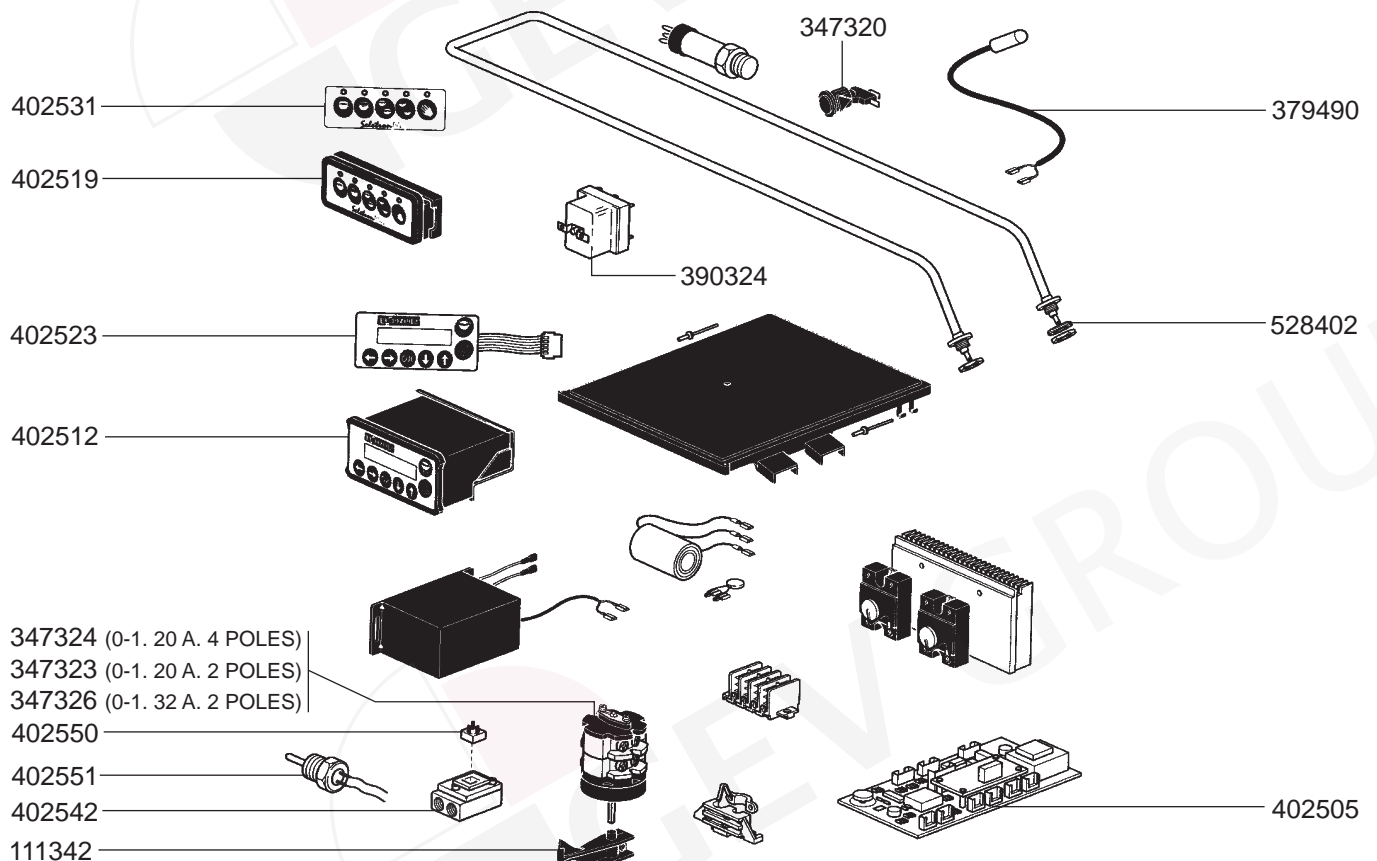
ELECTRICAL COMPONENTS S-3 SELETRON



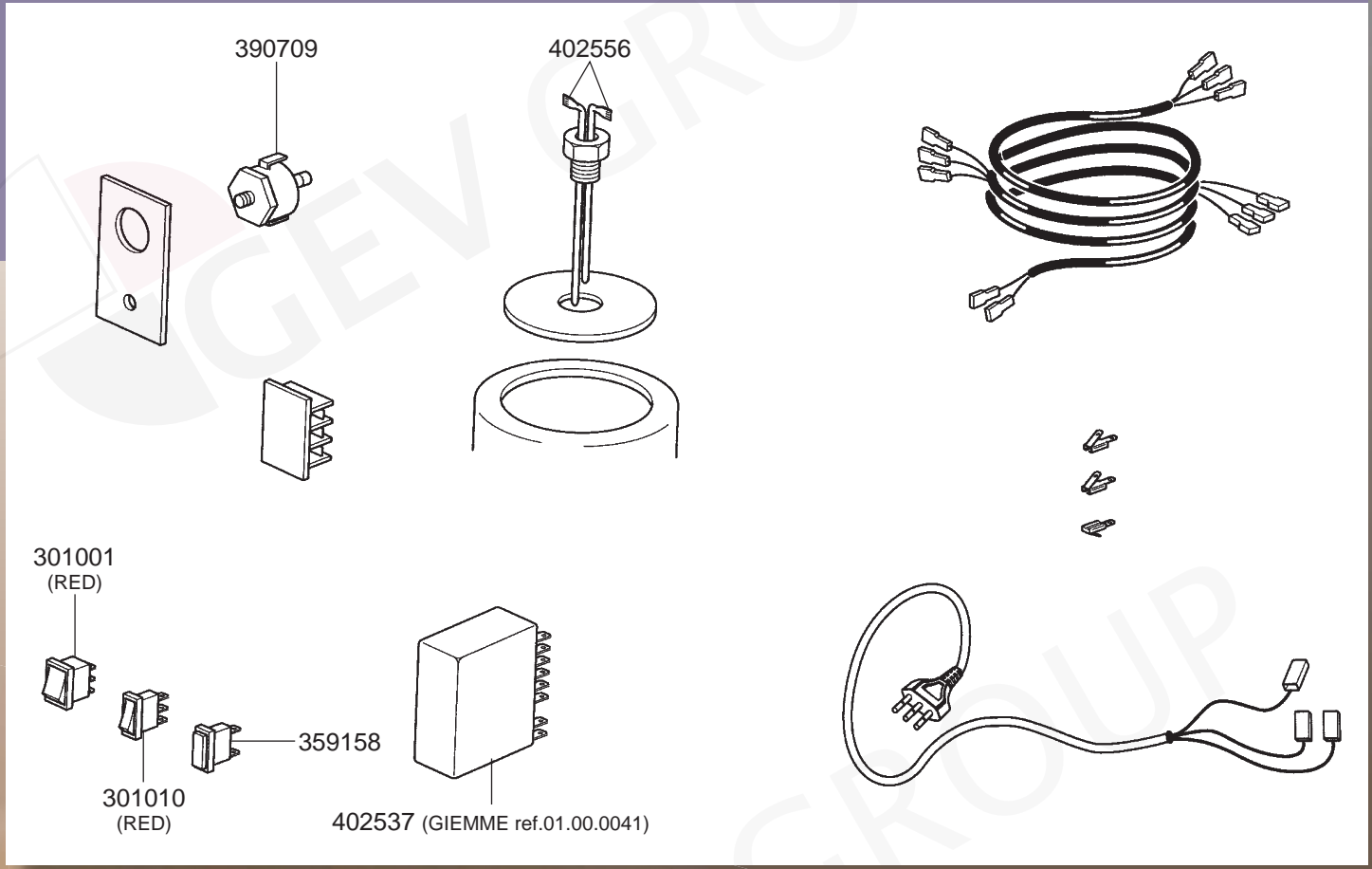
ELECTRICAL COMPONENTS S-1



ELECTRICAL COMPONENTS SELETRON PLUS



ELECTRICAL COMPONENTS PROFESSIONALE



ELECTRICAL COMPONENTS VARIOUS

