

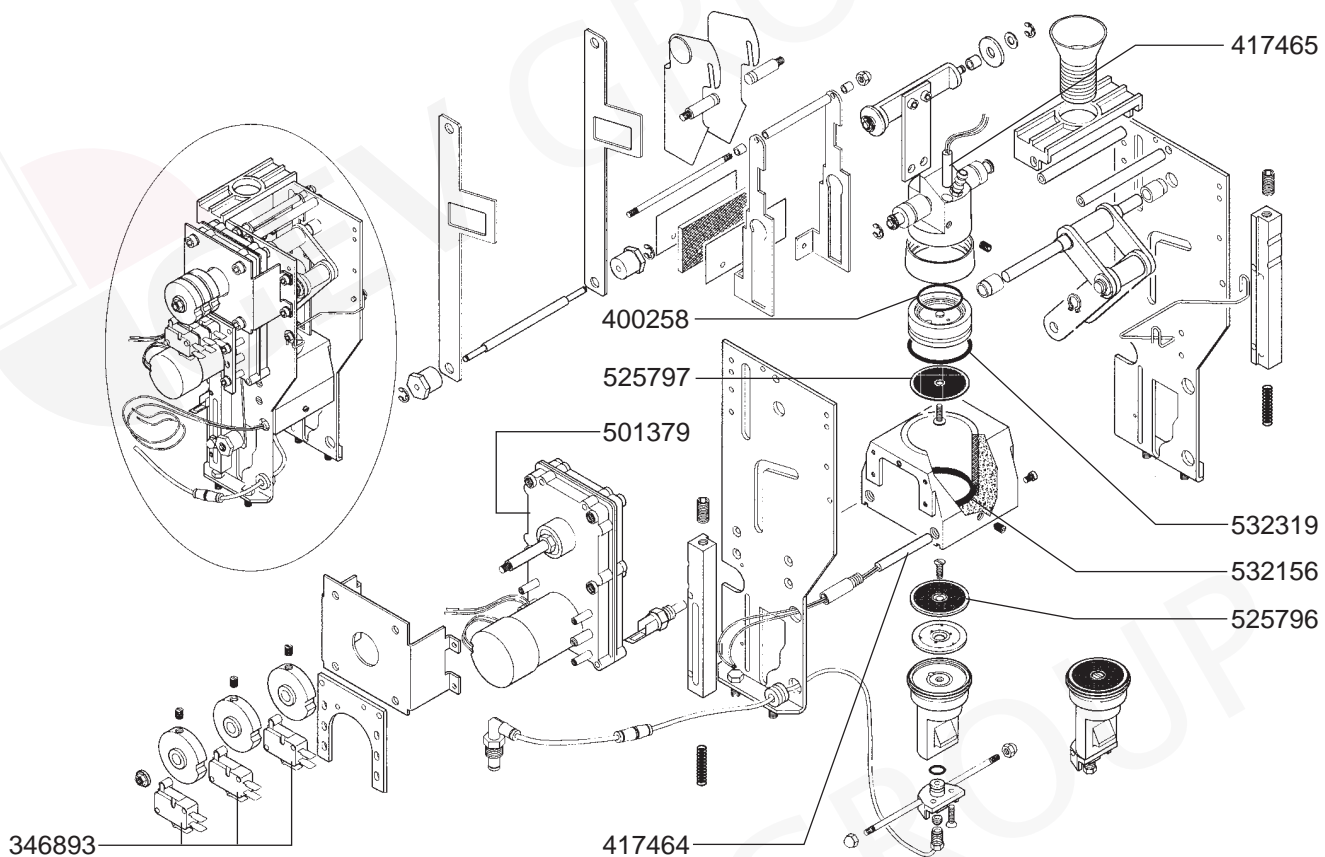
## 3

Manufacturer	Page
ASTORIA	406
BRASILIA	418
N&W GLOBAL VENDING	422
NUOVA SIMONELLI	427

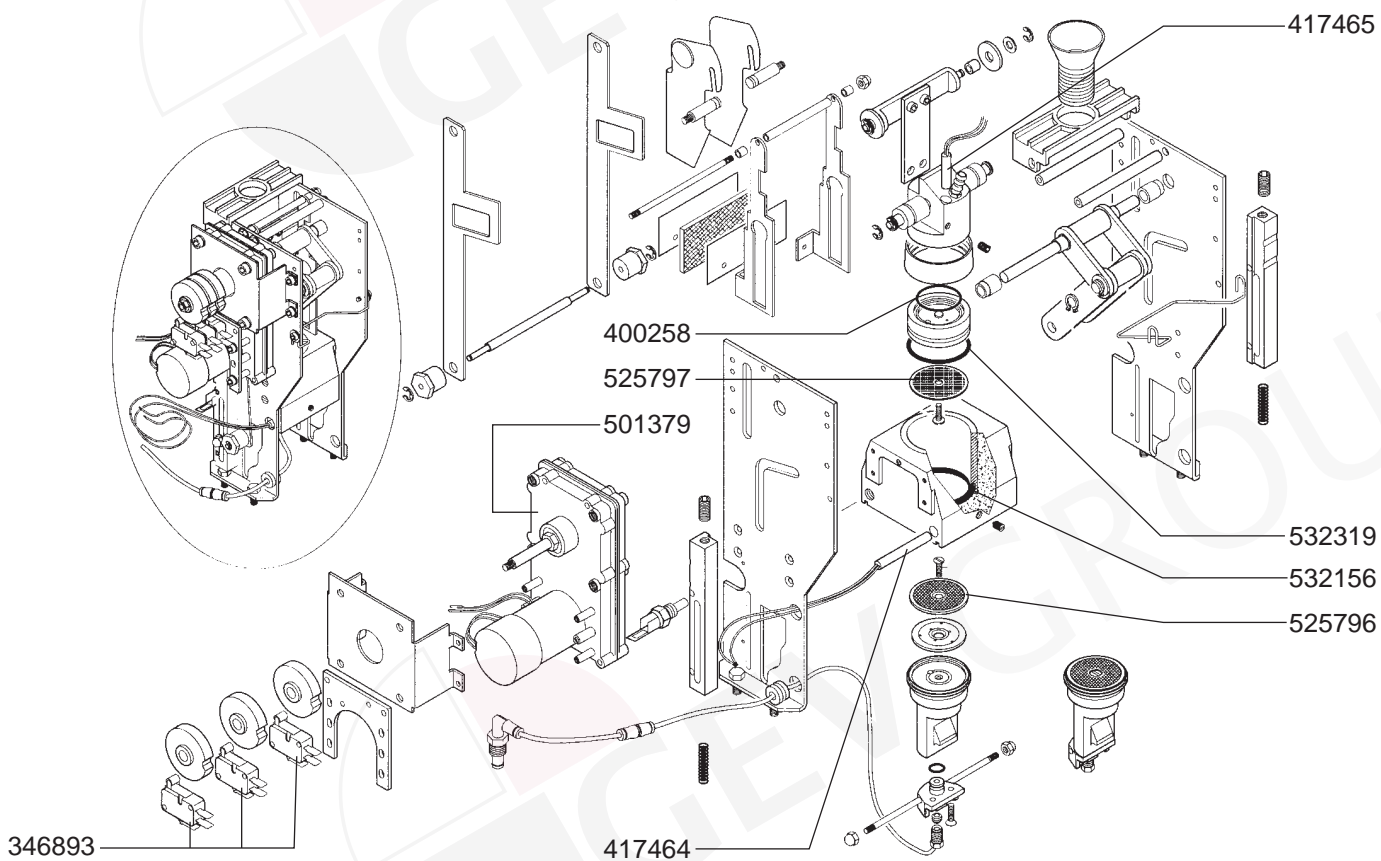
Automatic coffee machines  
 Kaffeevollautomaten  
 Machine à café automatique  
 Macchine da caffè completamente automatica  
 Máquinas de café automáticas



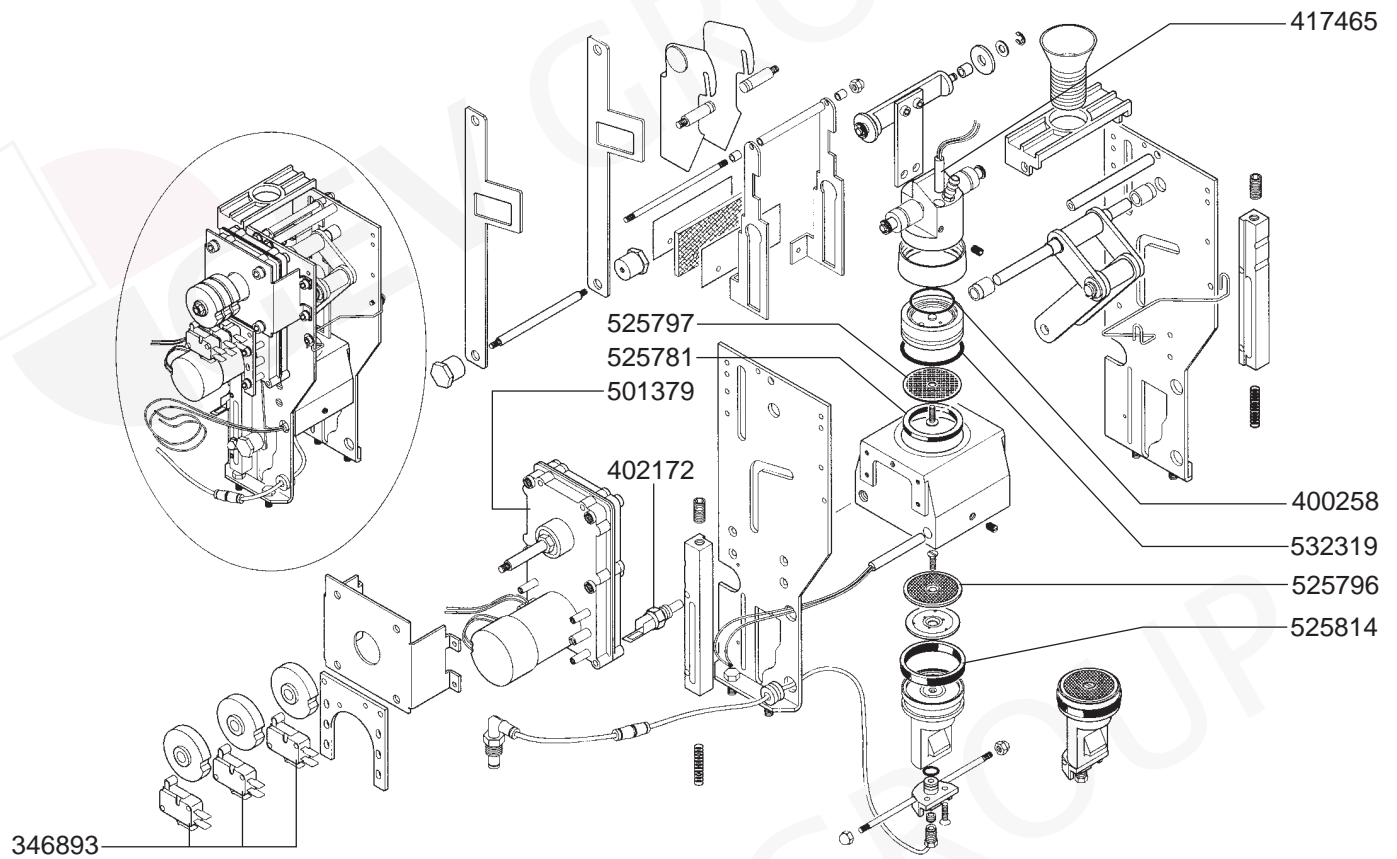
SARA GROUP from 10/2008



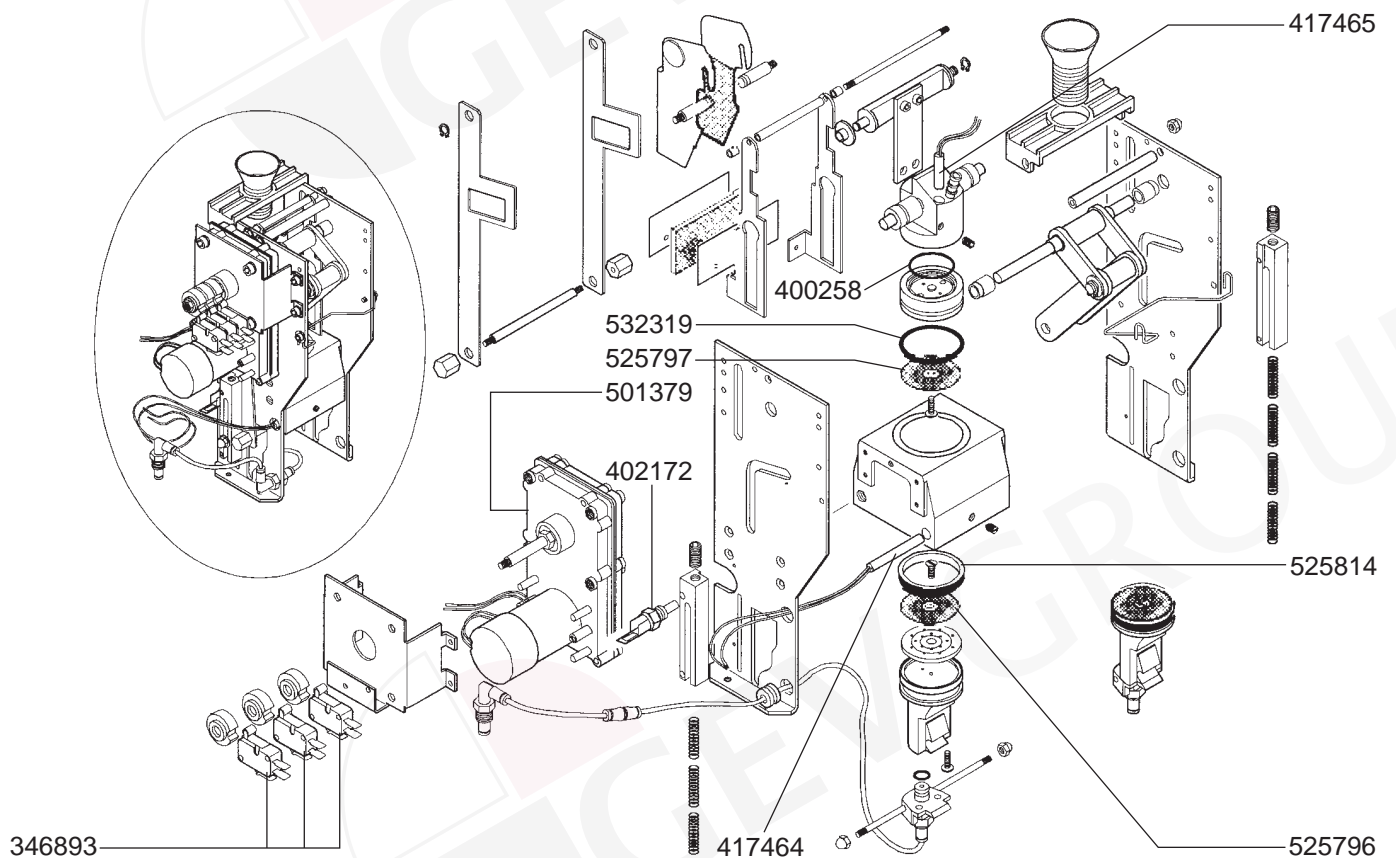
SARA GROUP from 08/2005



## SARA GROUP from 06/2004

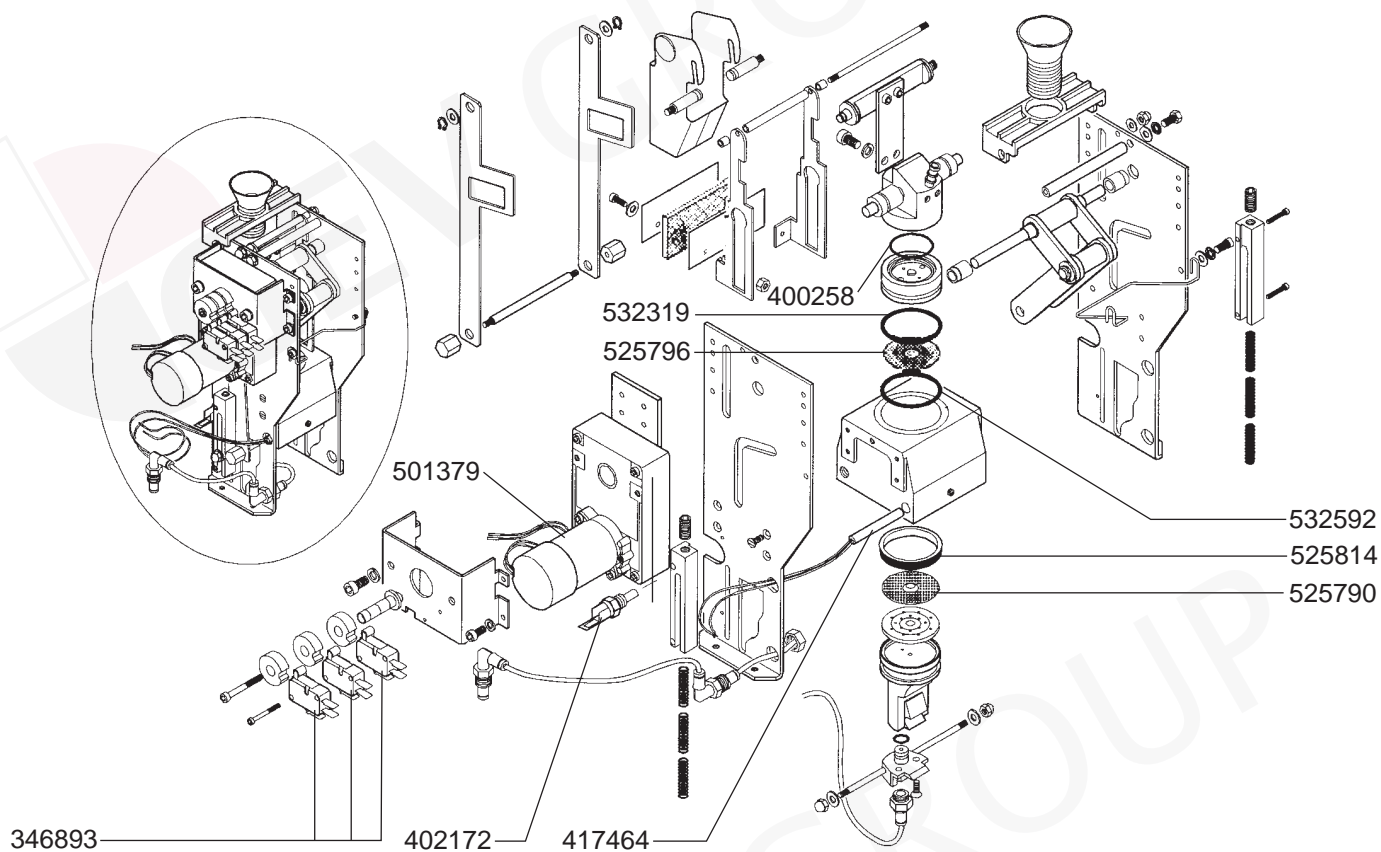


## SARA GROUP from 09/2003



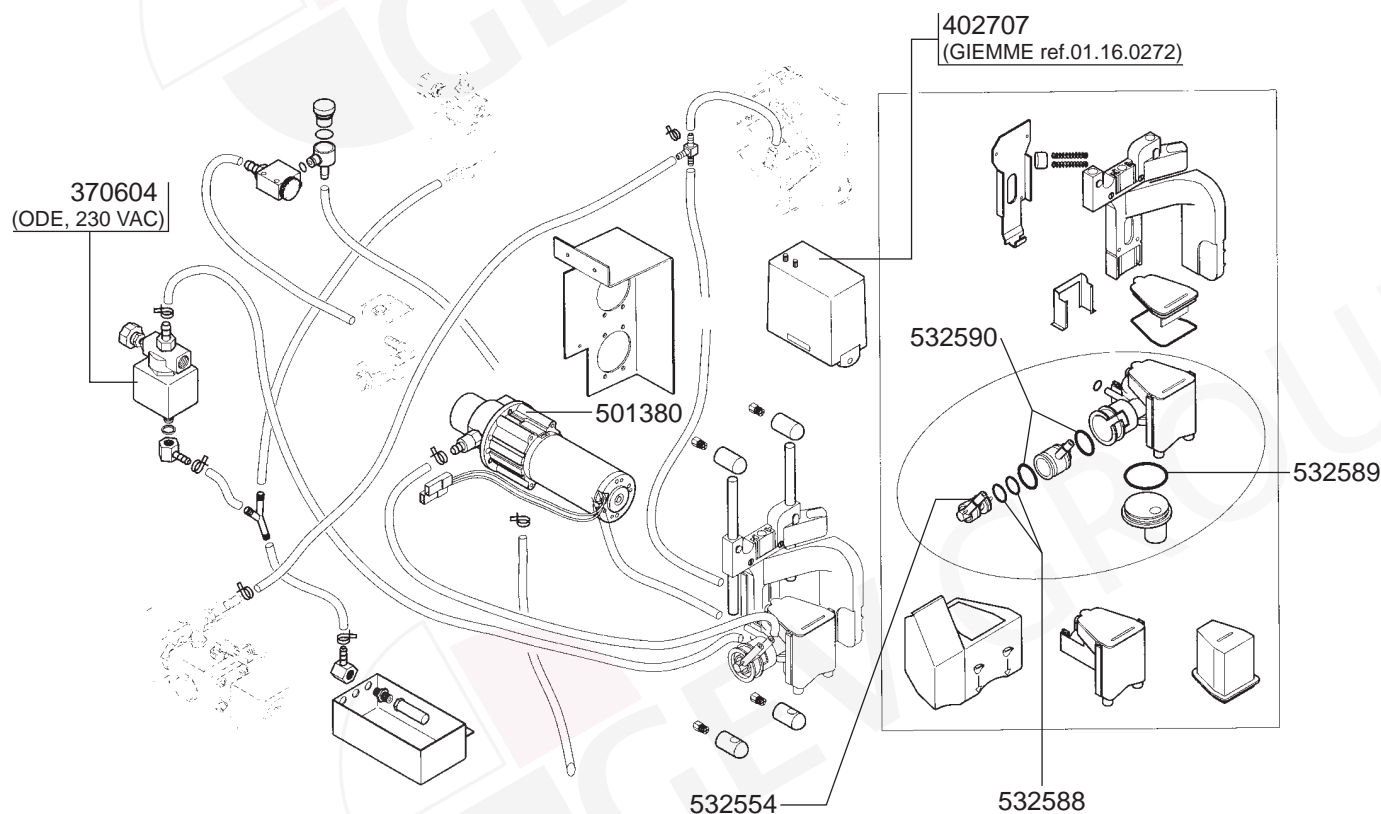
# ASTORIA – AUTOMATIC COFFEE MACHINES

SARA GROUP from 05/2002

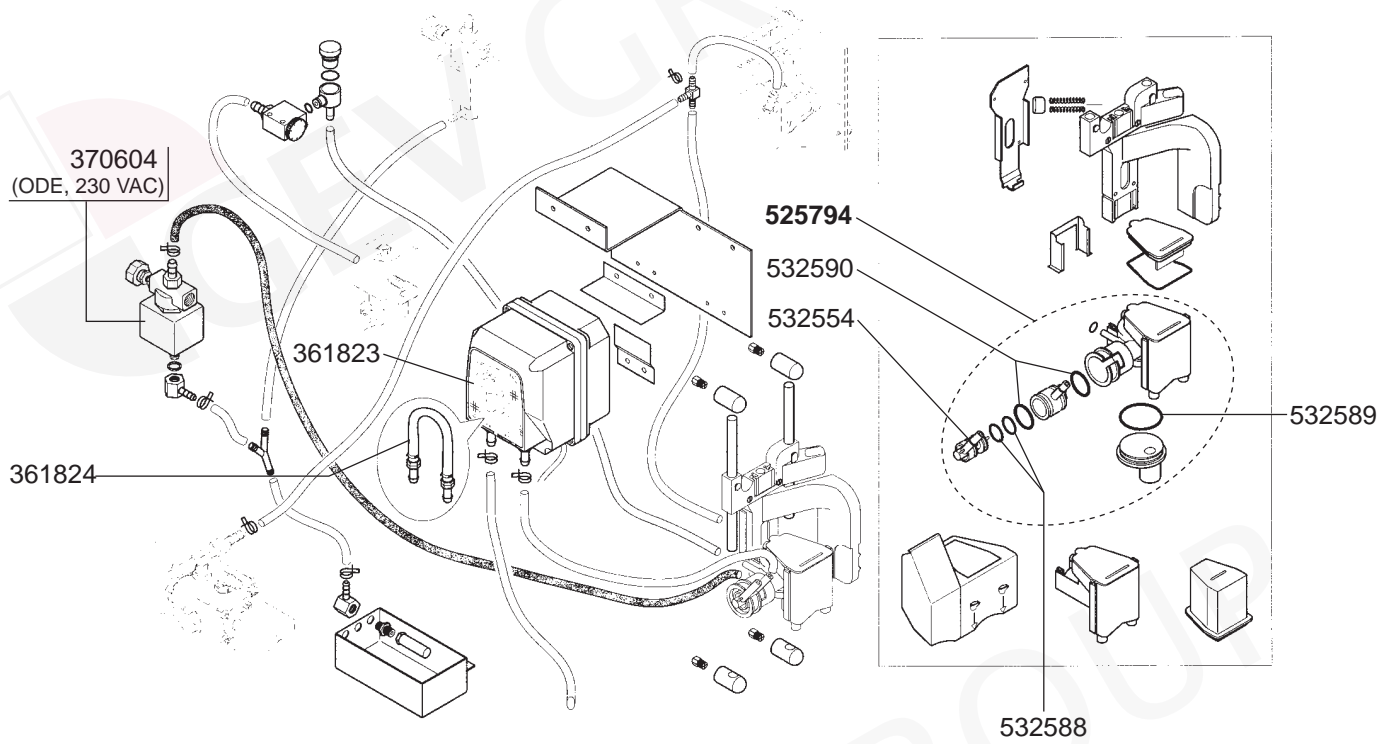


AUTOMATIC MACHINES 3

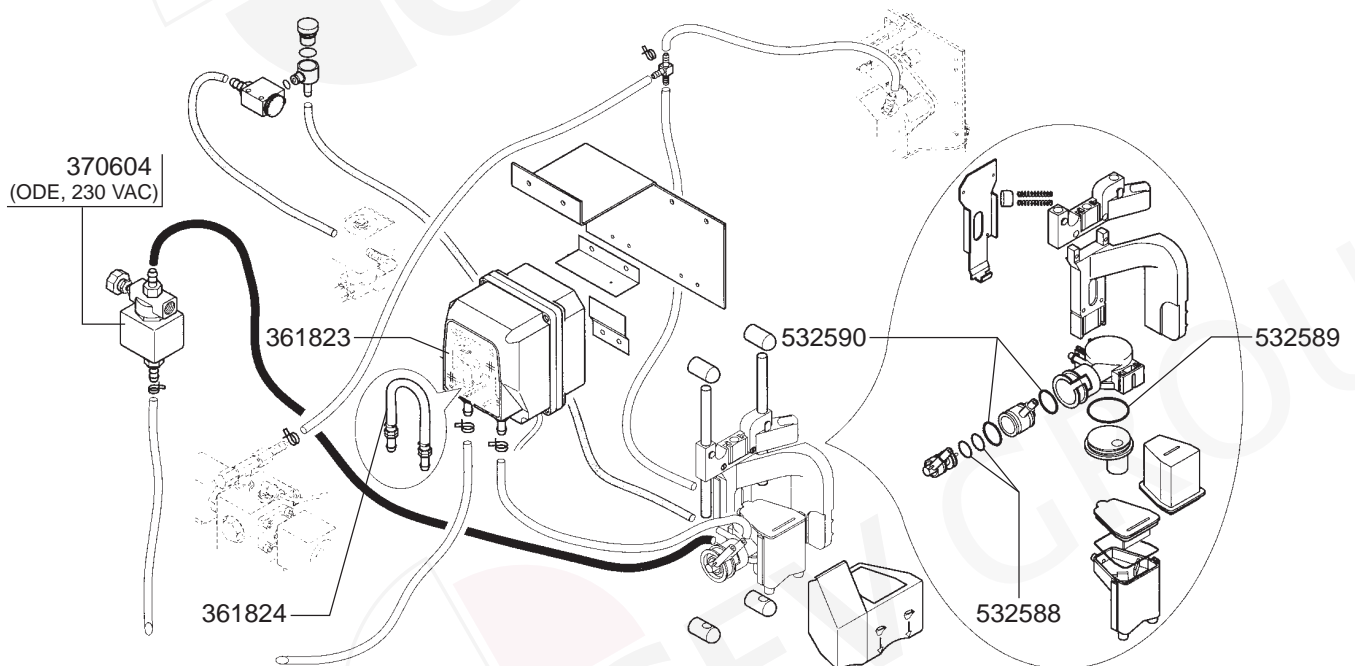
SARA COFFEE SPOUT/CAPPUCCINO from 12/2008



SARA COFFEE SPOUT/CAPPUCCINO from 05/2007

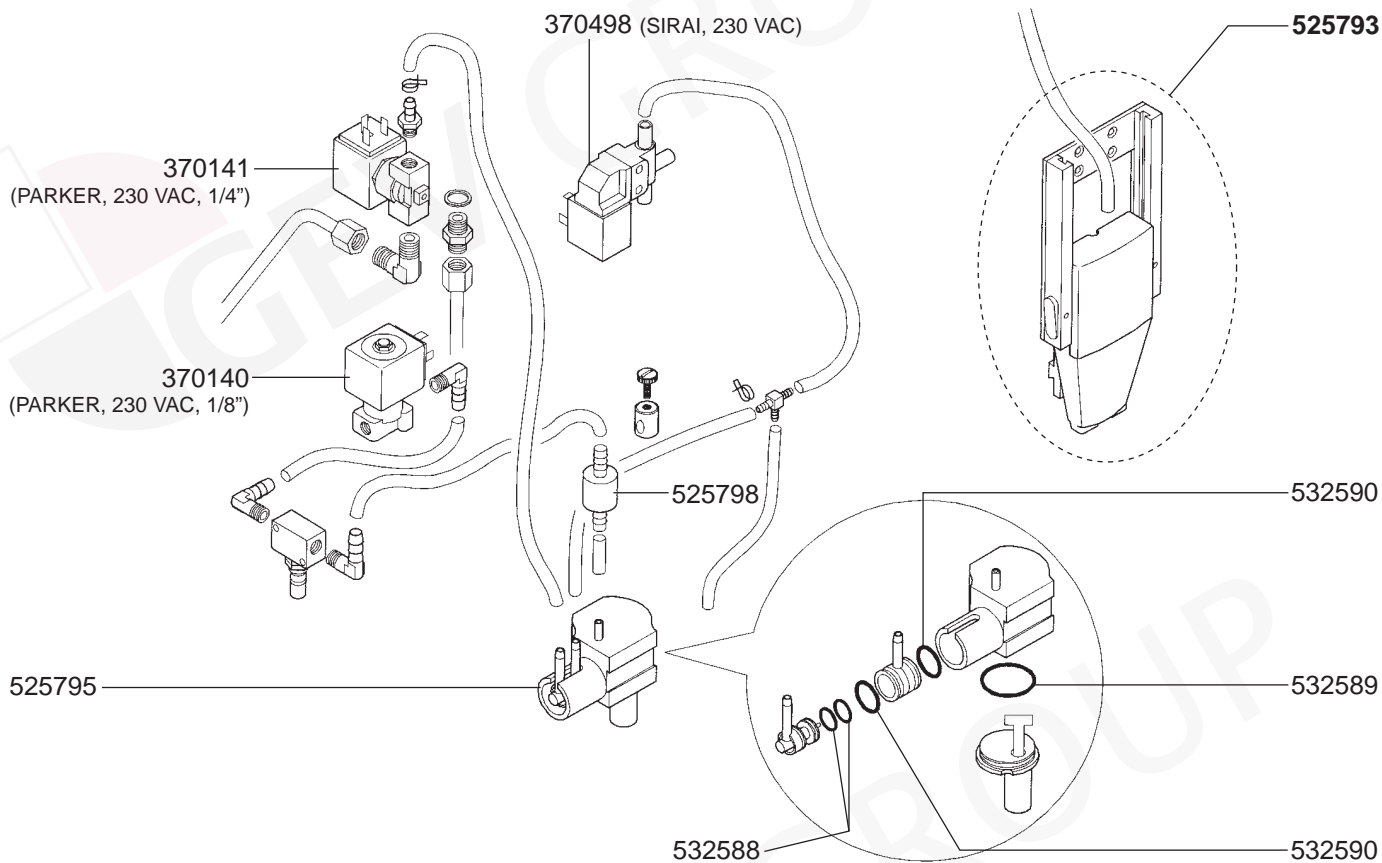


SARA COFFEE SPOUT/CAPPUCCINO from 11/2006

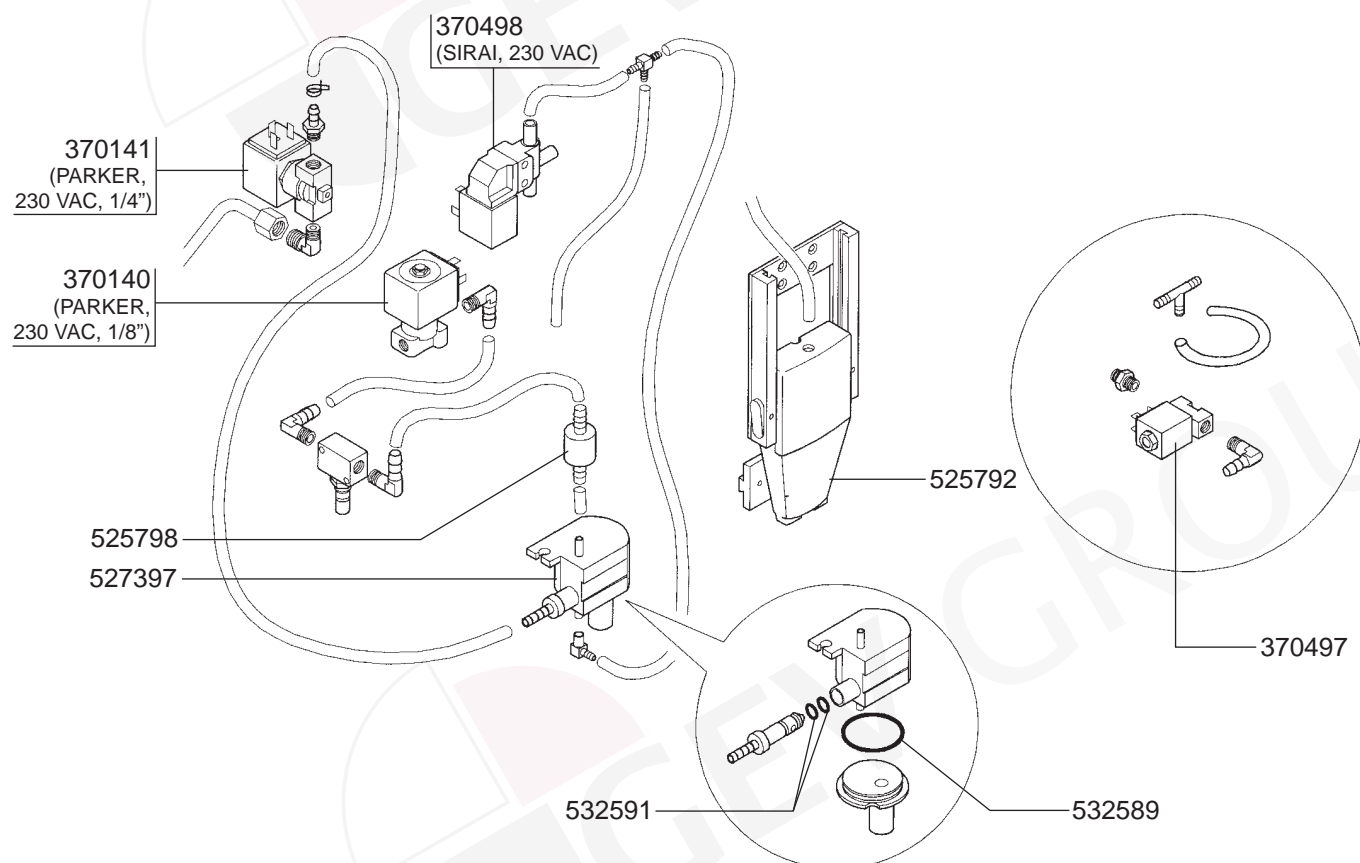


# ASTORIA – AUTOMATIC COFFEE MACHINES

## SARA COFFEE SPOUT/CAPPUCCINO from 12/2002

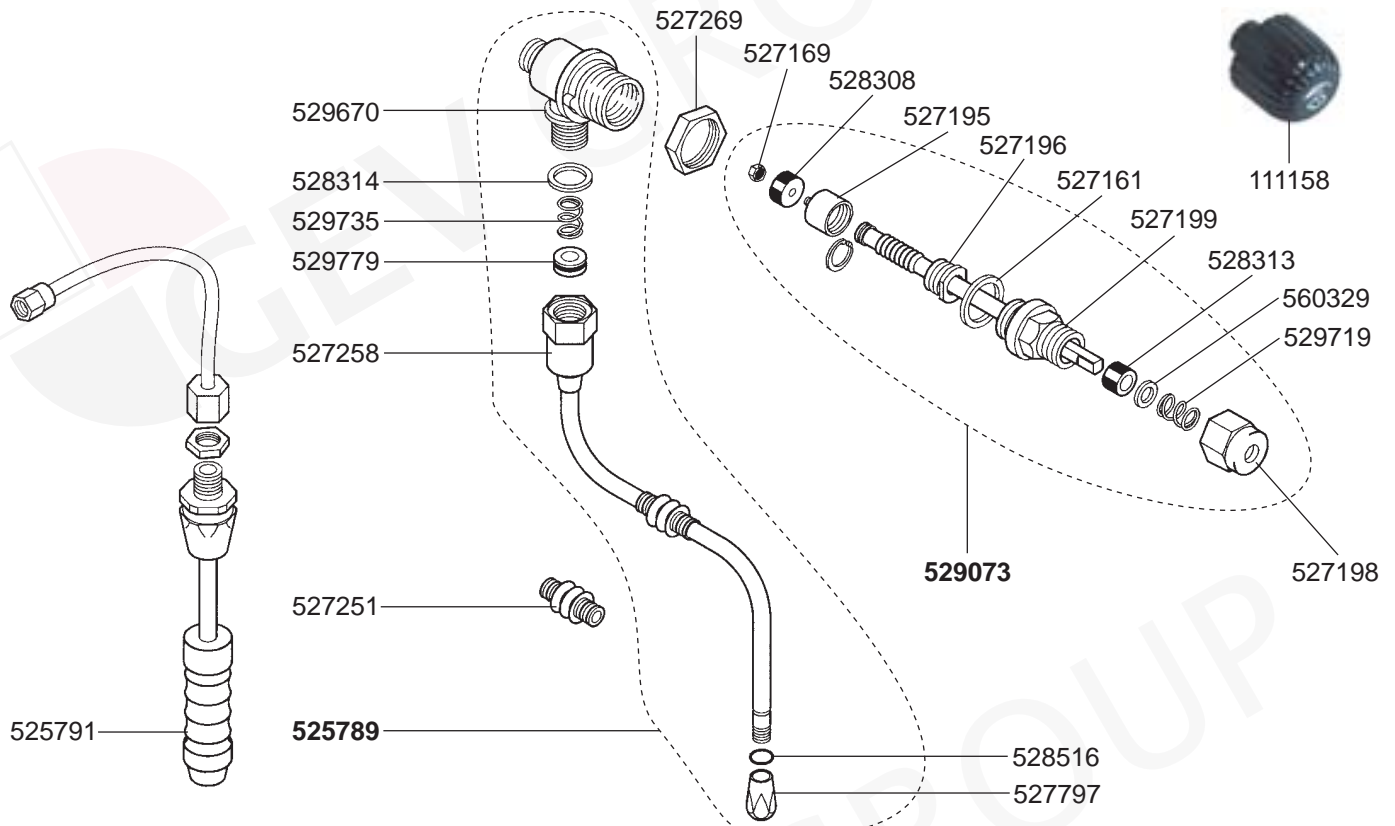


## SARA COFFEE SPOUT/CAPPUCCINO from 05/2002

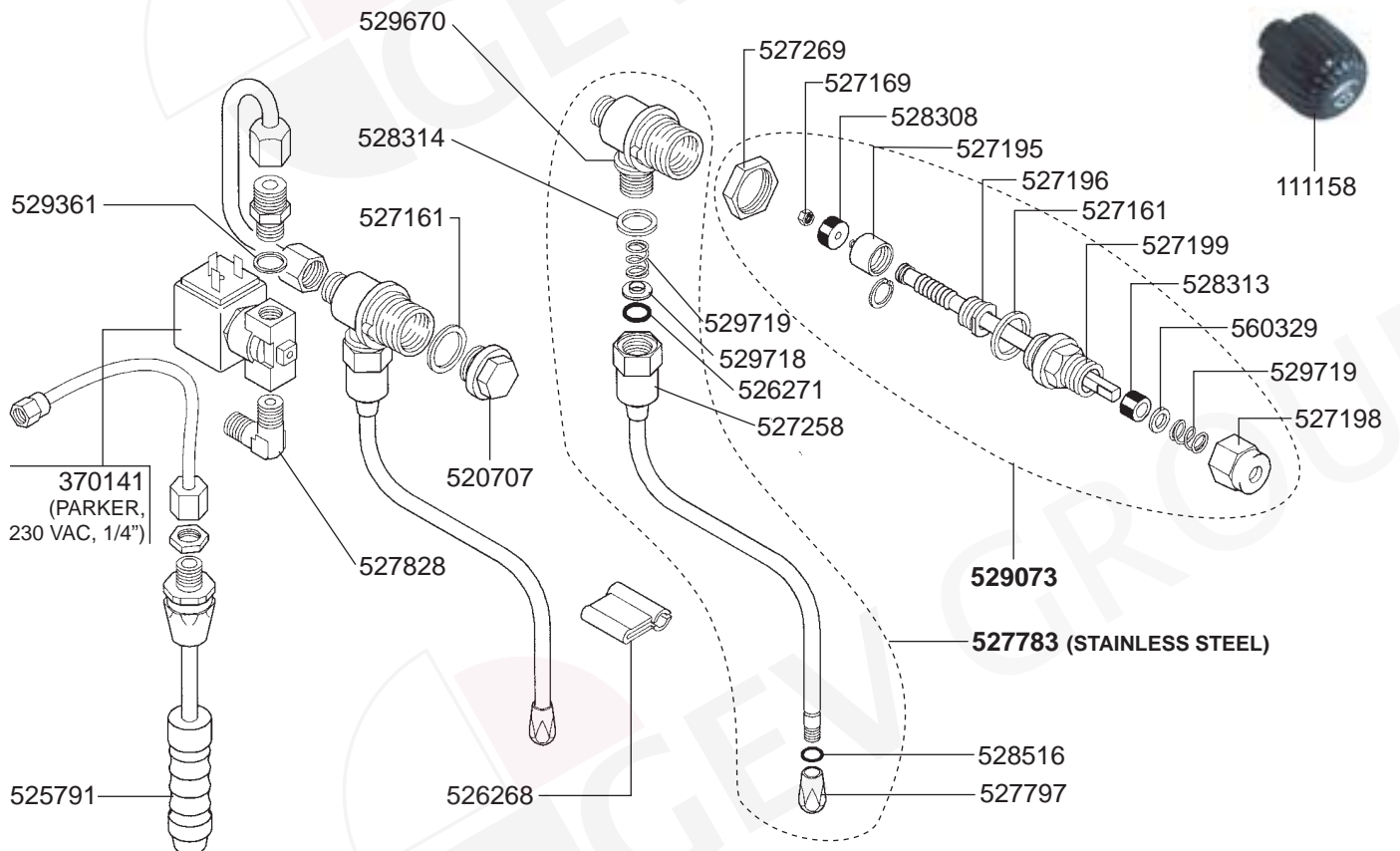


AUTOMATIC MACHINES 3

## SARA STEAM/WATER TAP from 07/2006

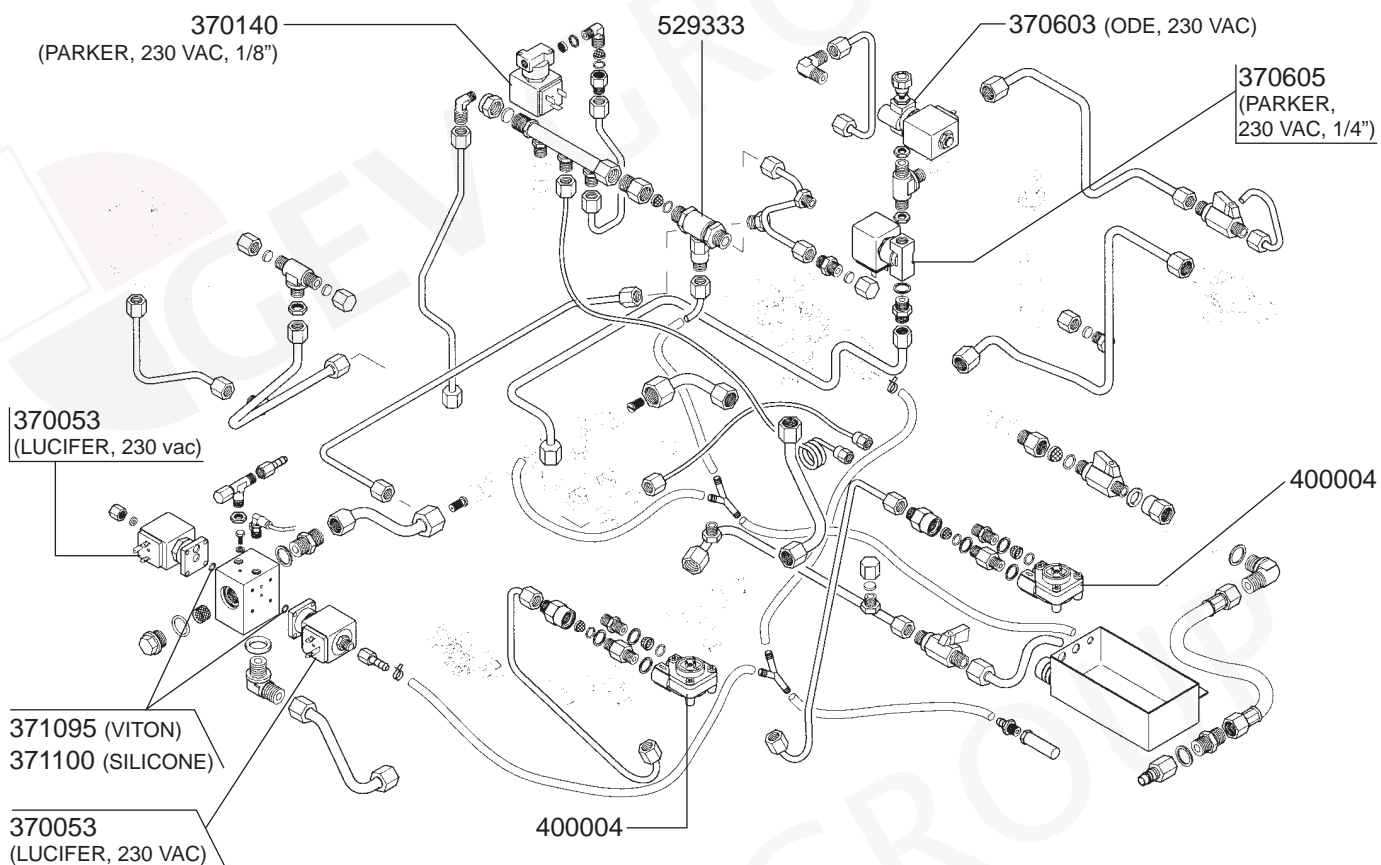


## SARA STEAM/WATER TAP from 05/2002

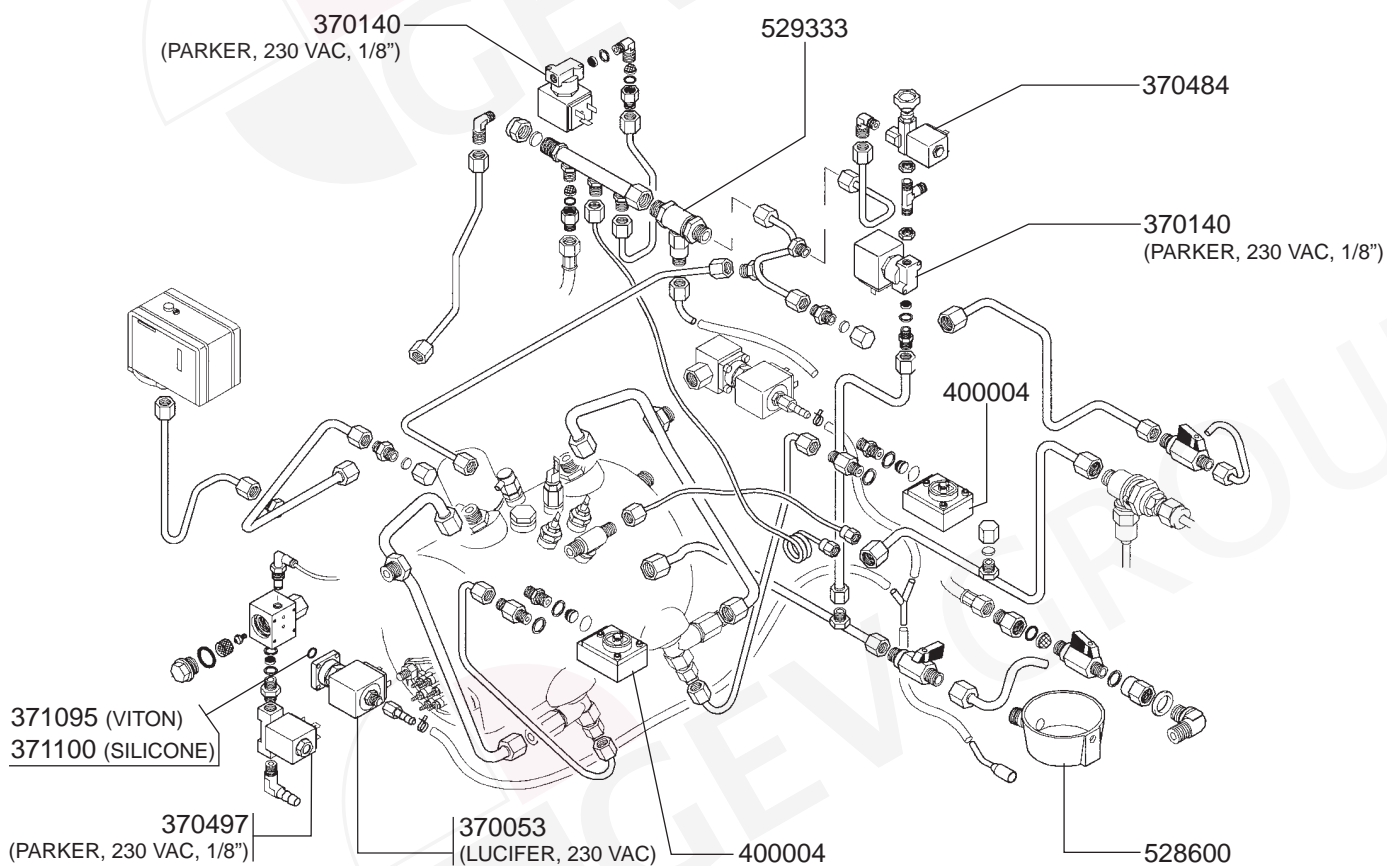


# ASTORIA – AUTOMATIC COFFEE MACHINES

## SARA HYDRAULIC CIRCUIT from 05/2006

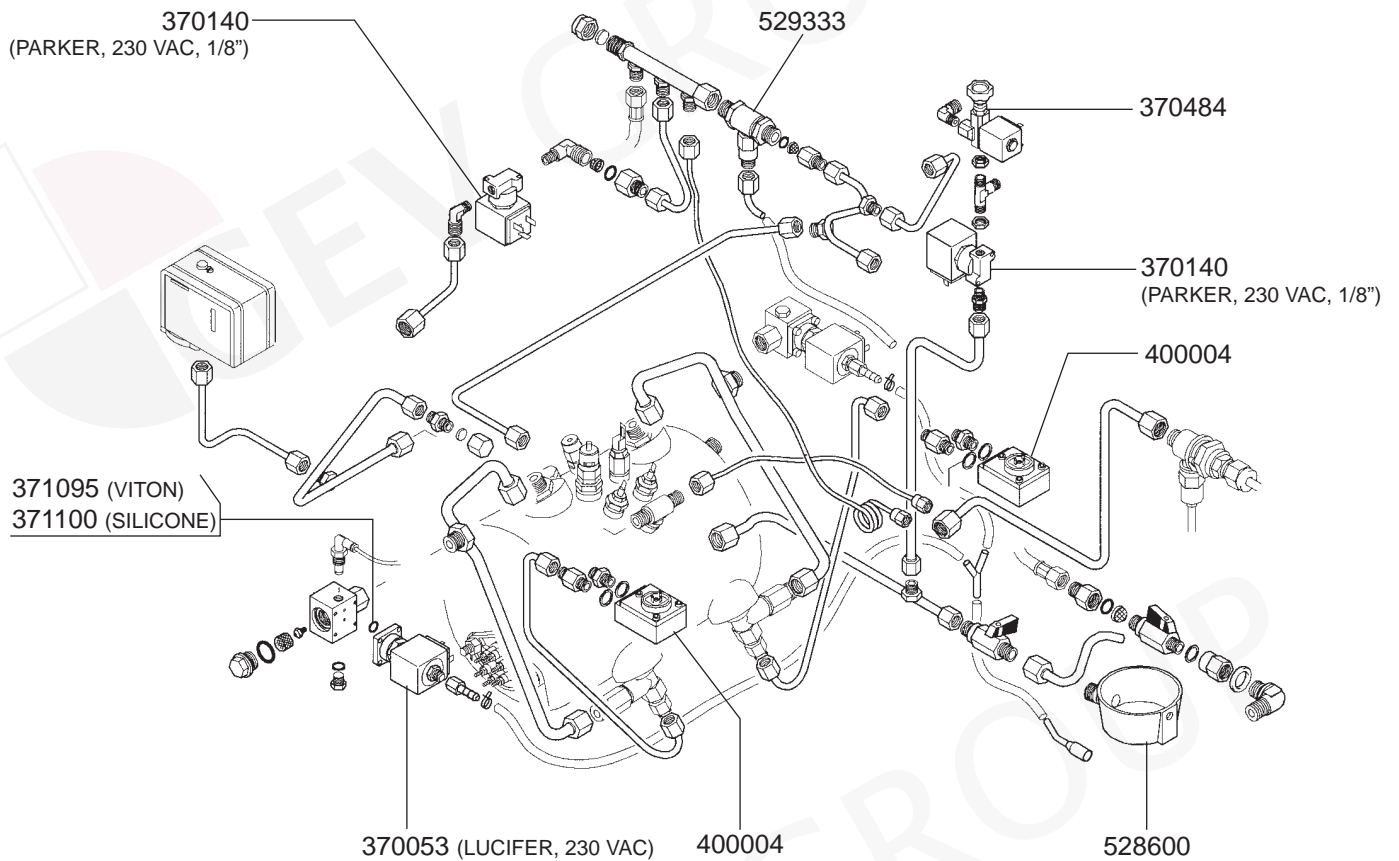


## SARA HYDRAULIC CIRCUIT from 12/2002

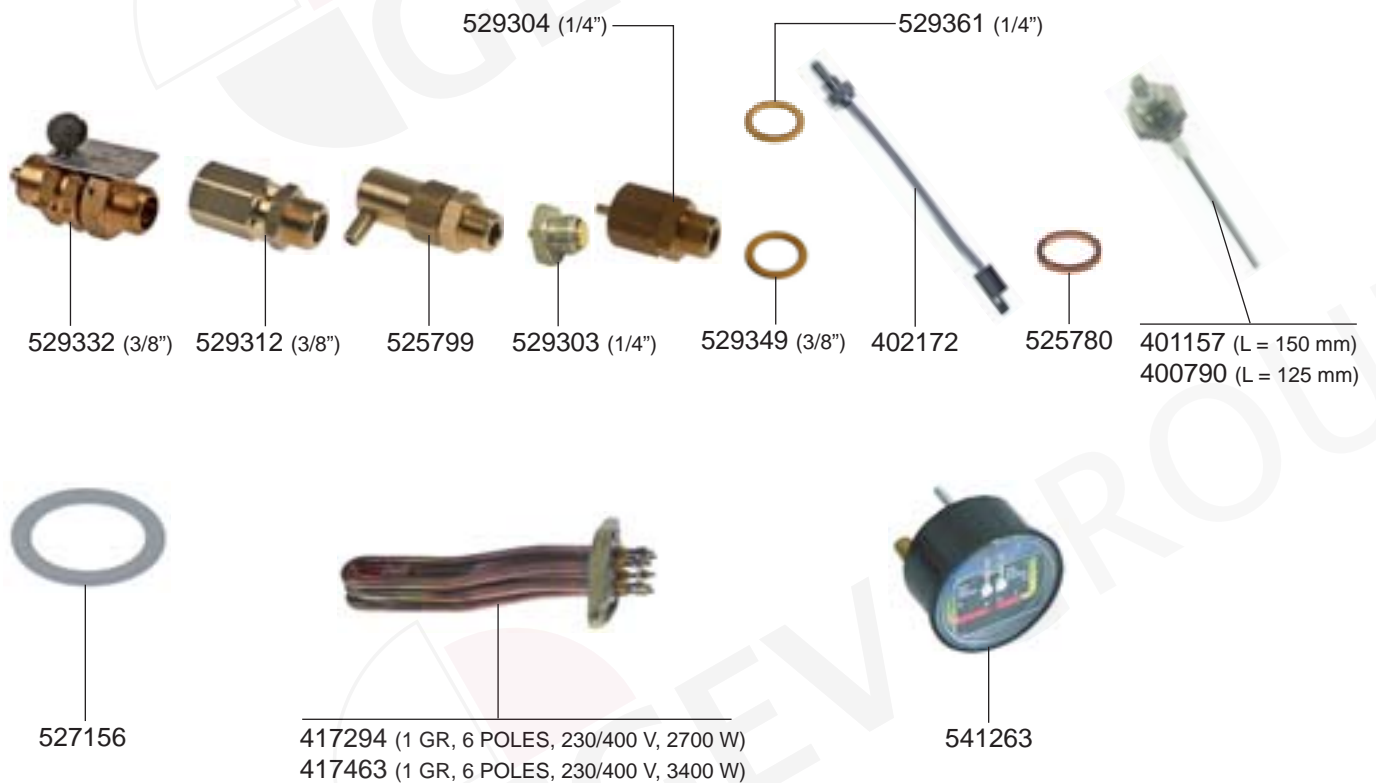




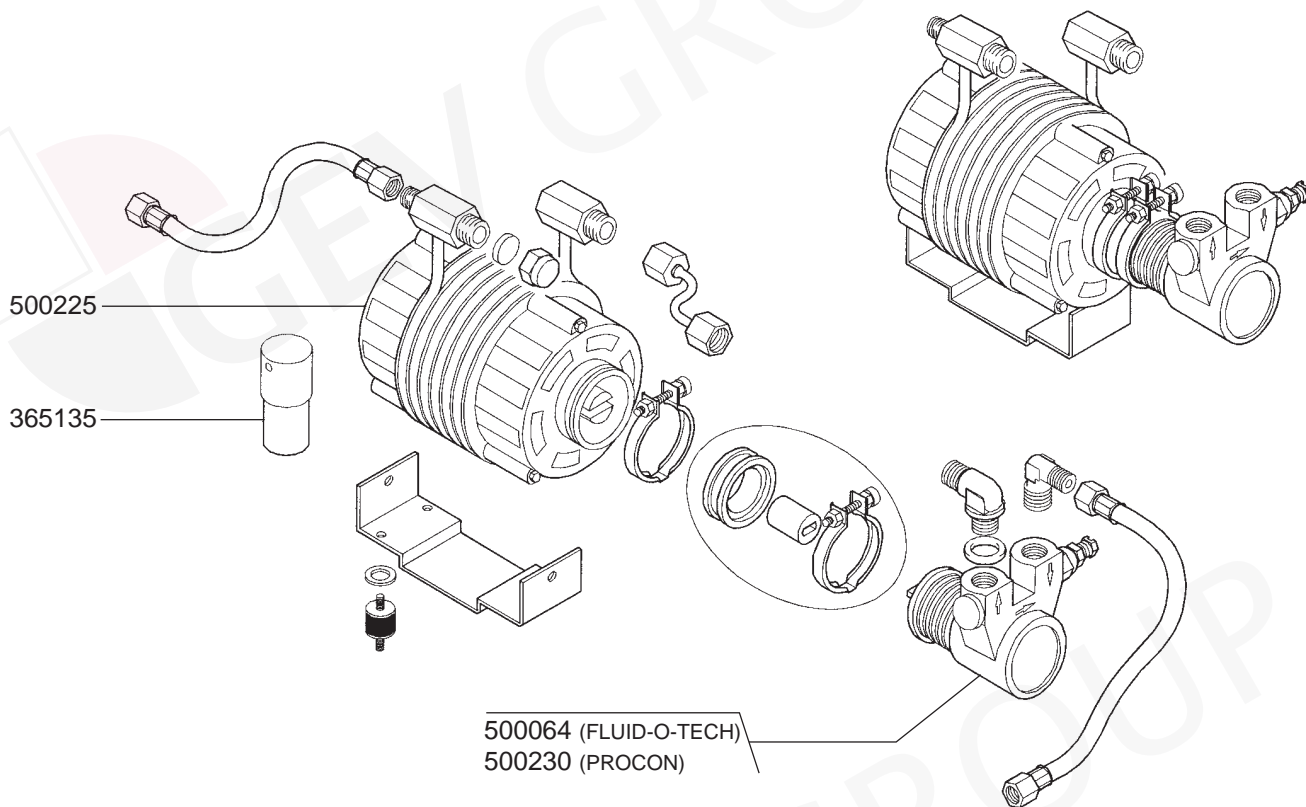
## SARA HYDRAULIC CIRCUIT from 05/2002



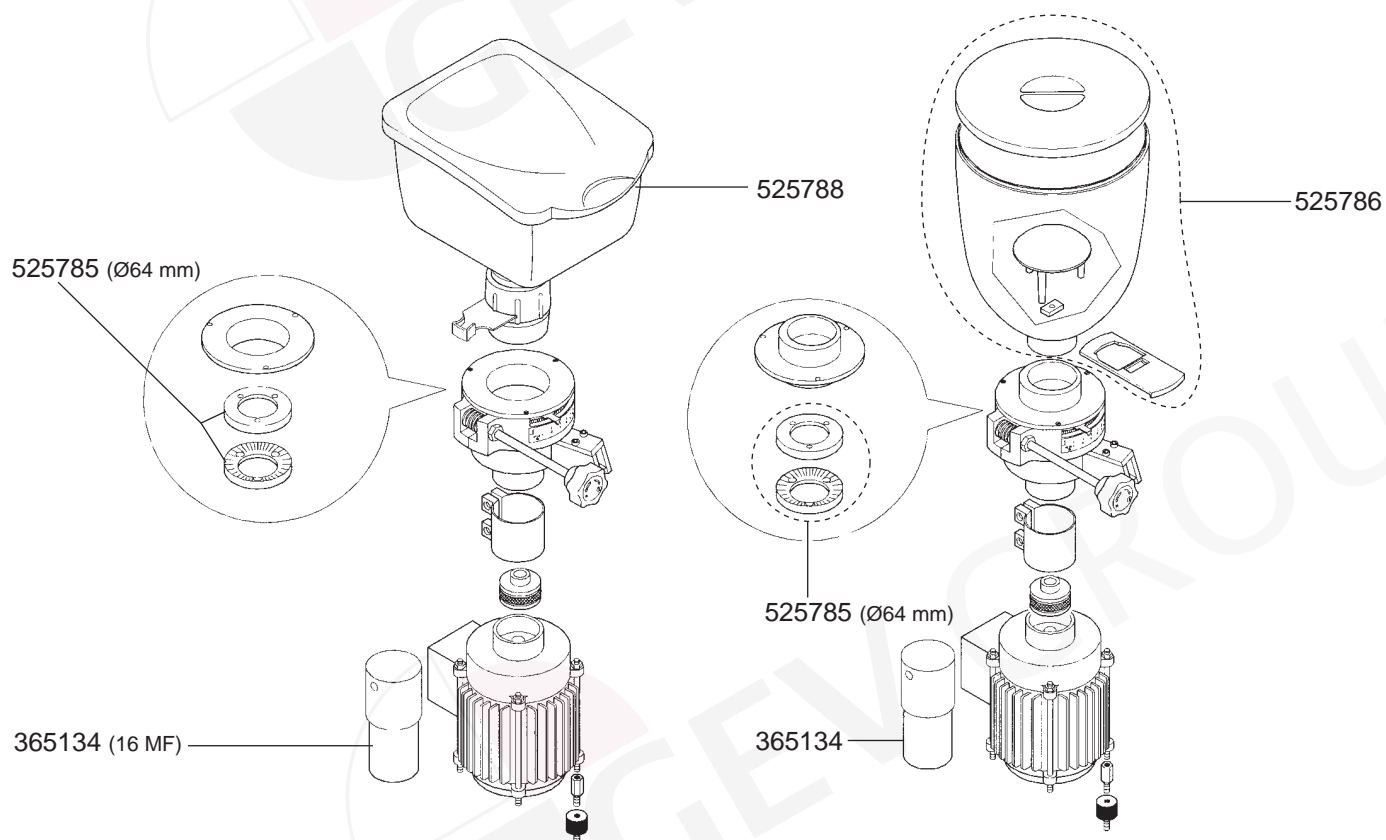
## SARA VARIOUS BOILER



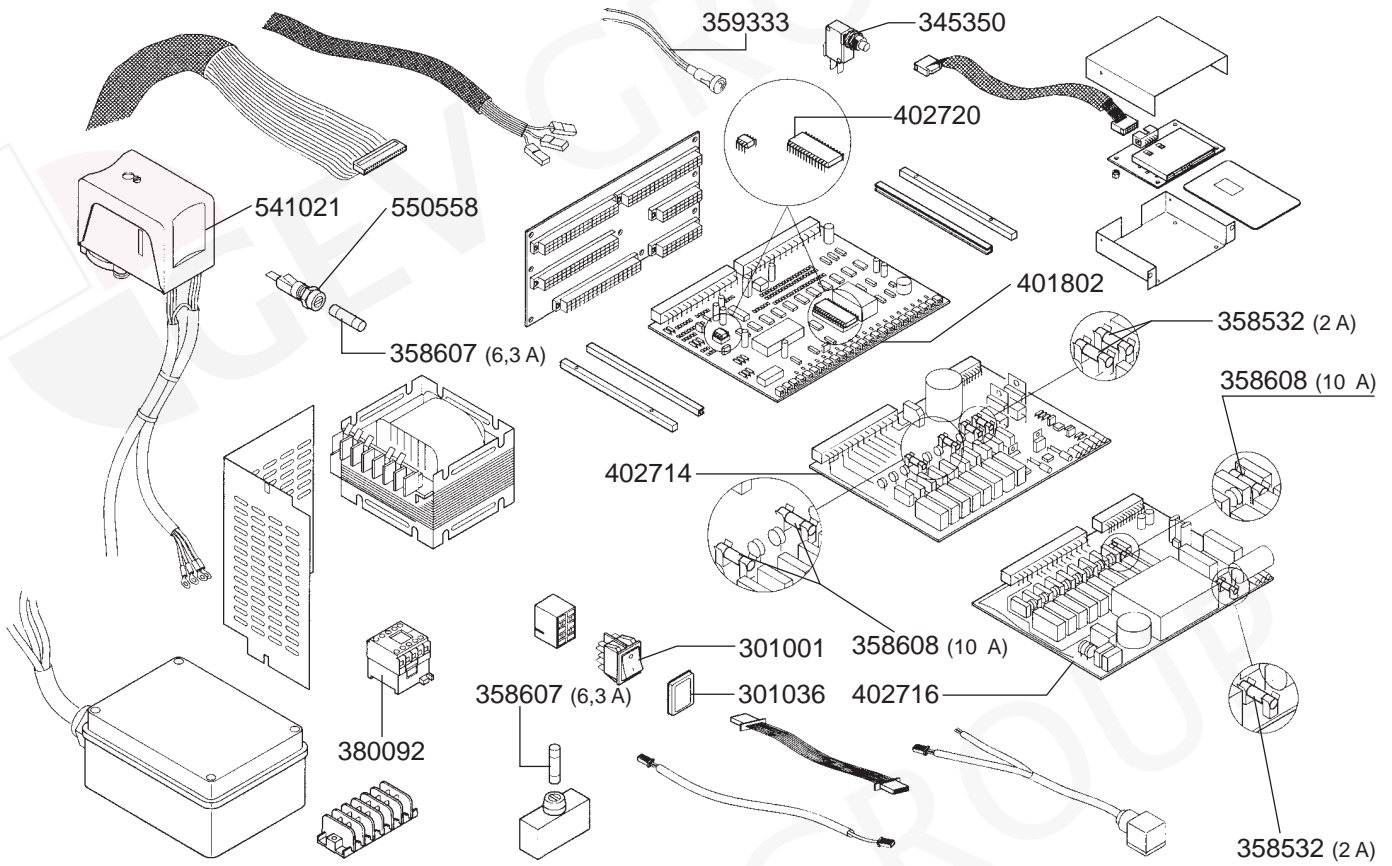
## SARA MOTOR PUMP



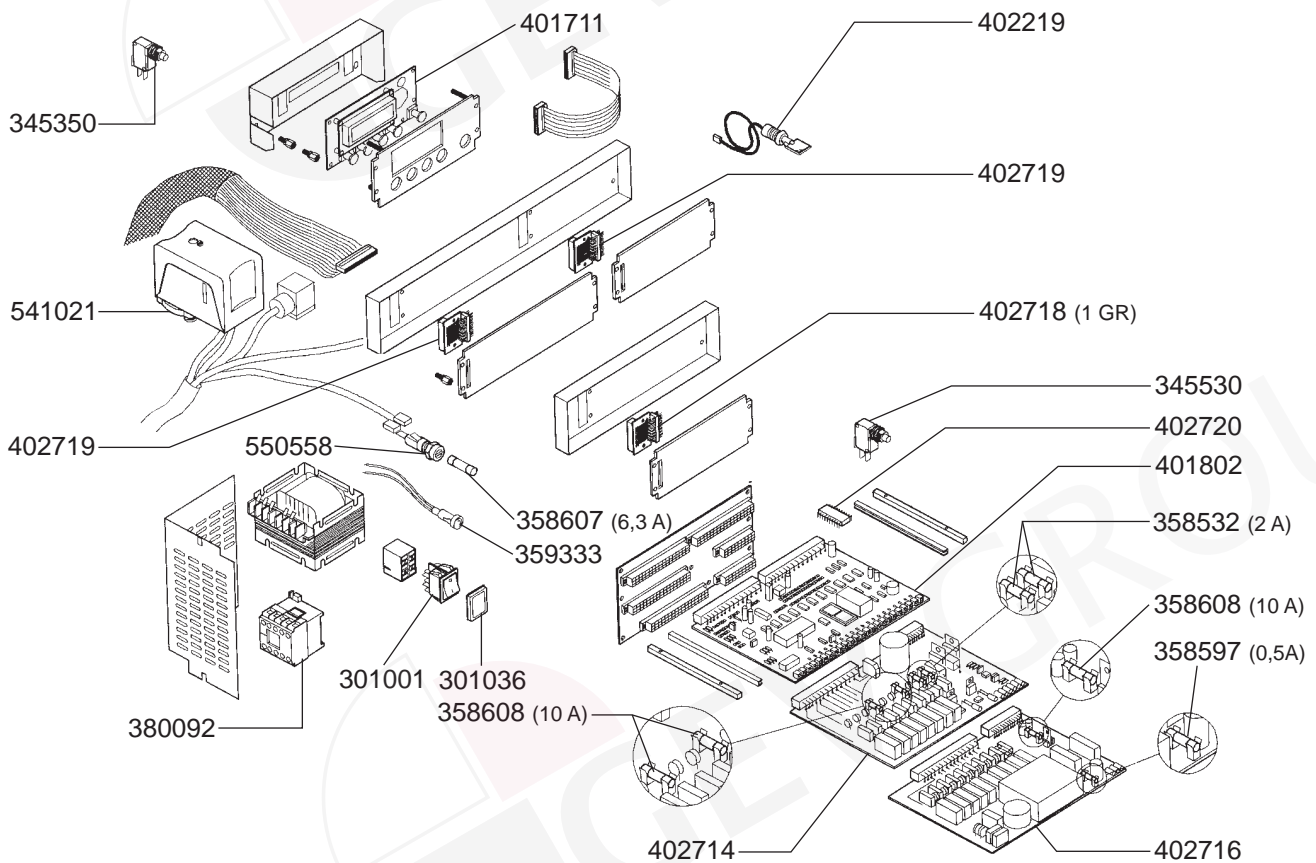
## SARA GRINDER



## SARA ELECTRICAL COMPONENTS from 05/2006

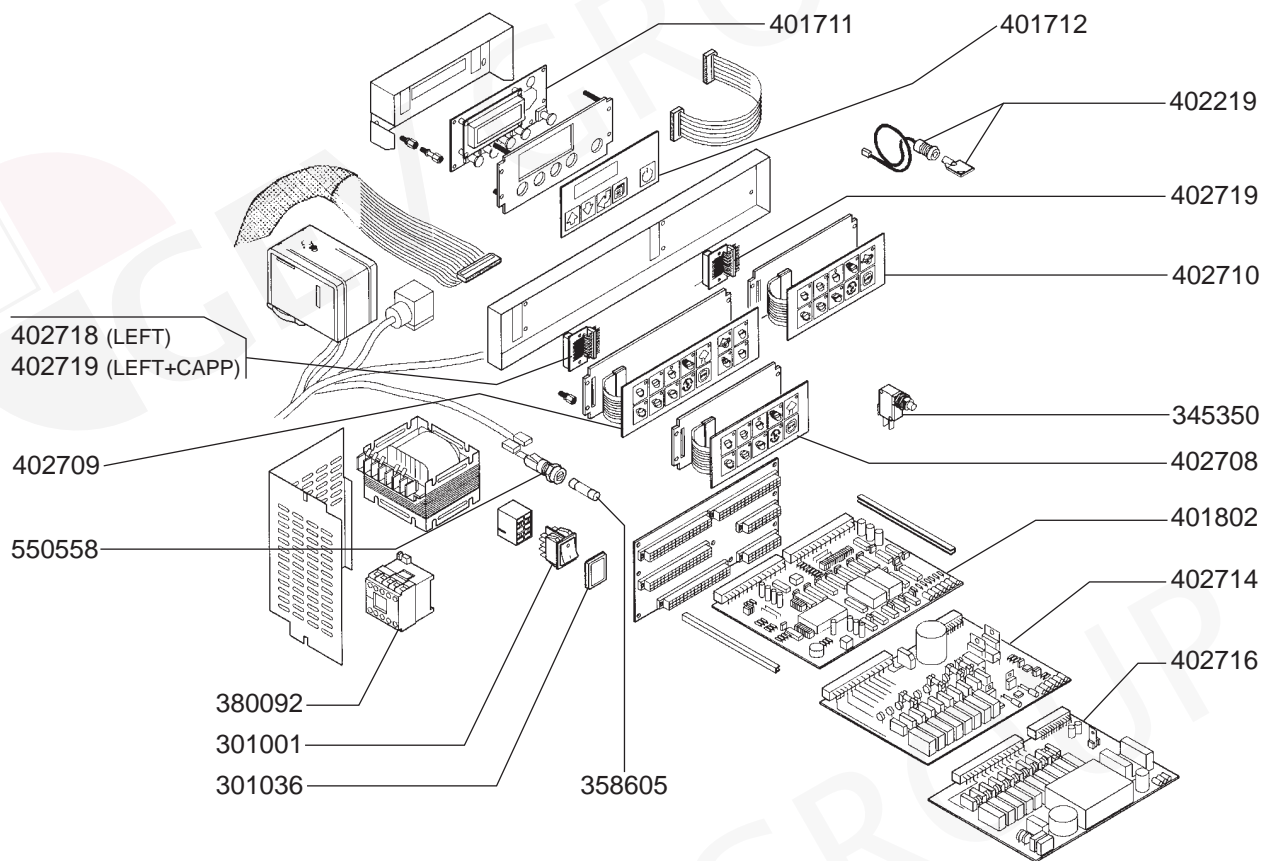


## SARA ELECTRICAL COMPONENTS from 12/2002

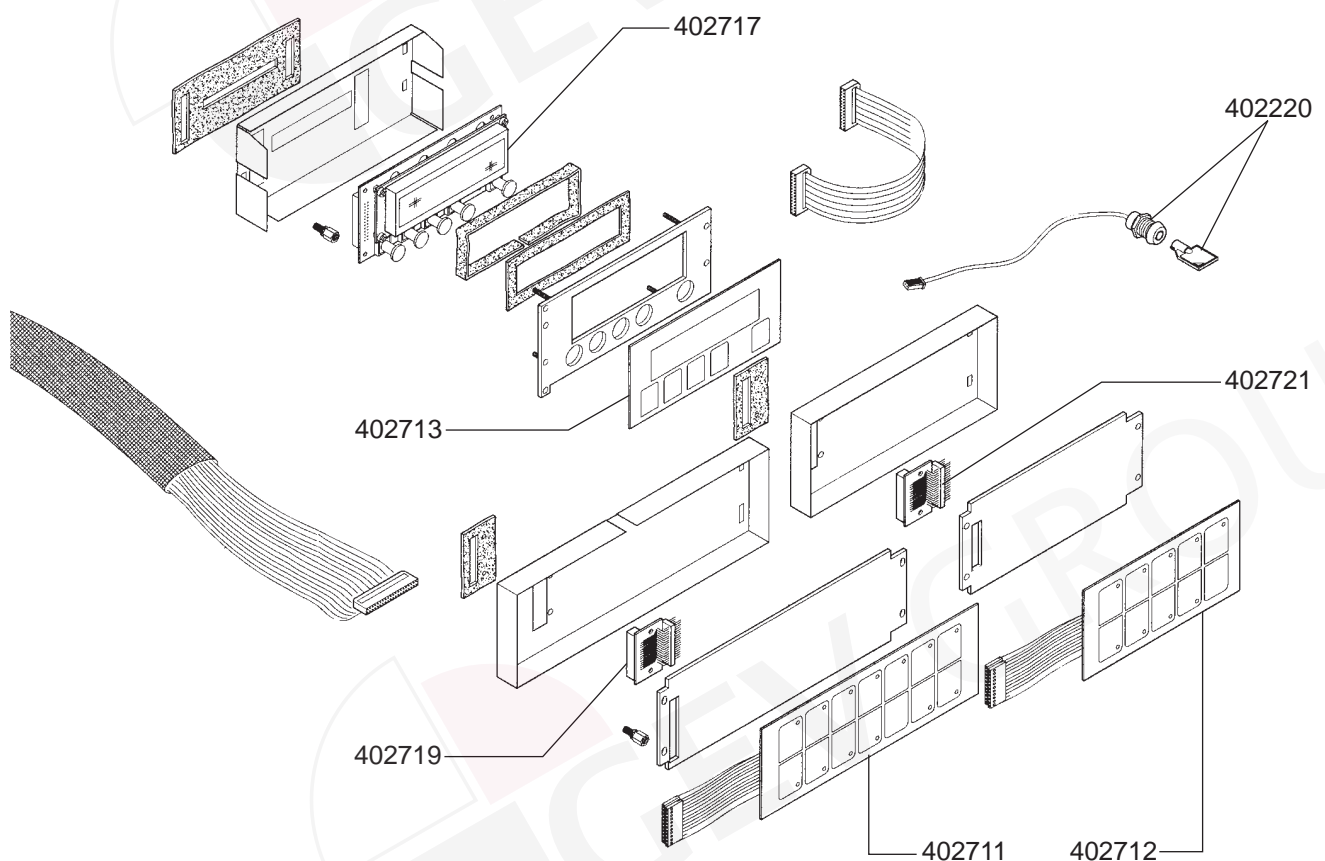


# ASTORIA – AUTOMATIC COFFEE MACHINES

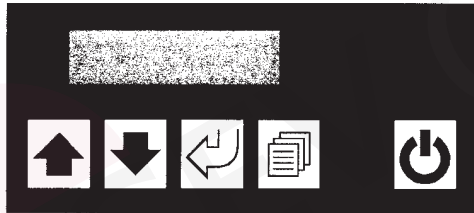
## SARA ELECTRICAL COMPONENTS from 05/2002



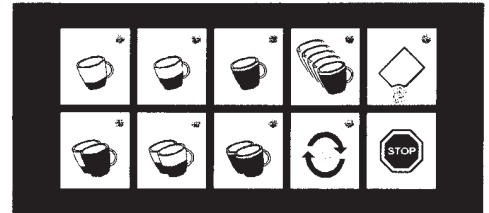
## SARA ELECTRICAL COMPONENTS from 09/2007



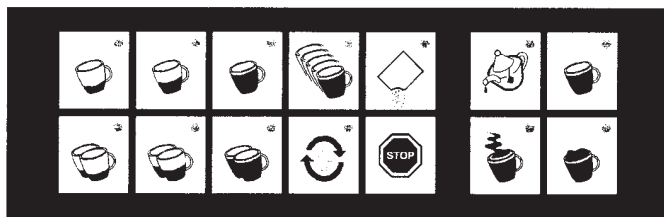
SARA STANDARD KEYPADS from 12/2002



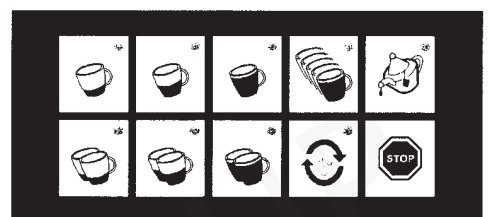
401712



402708



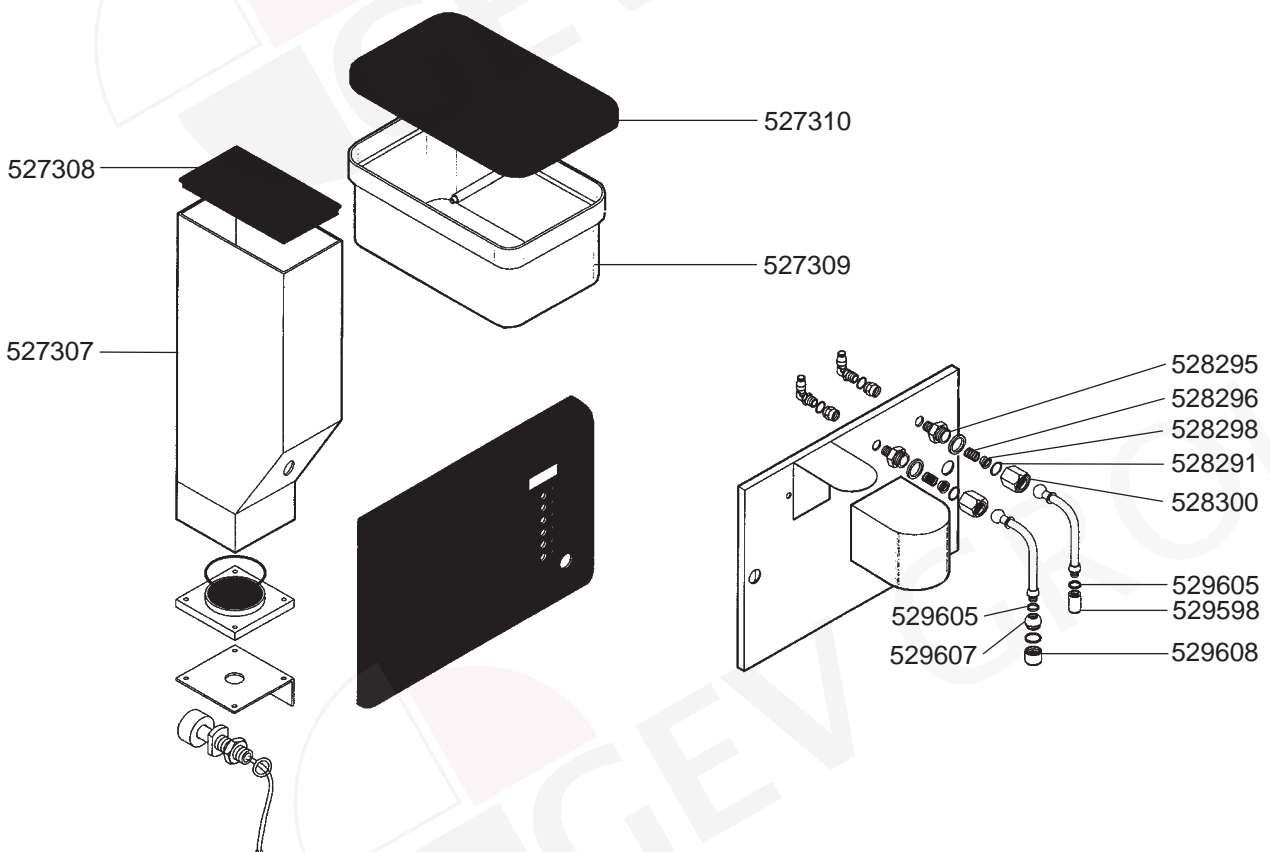
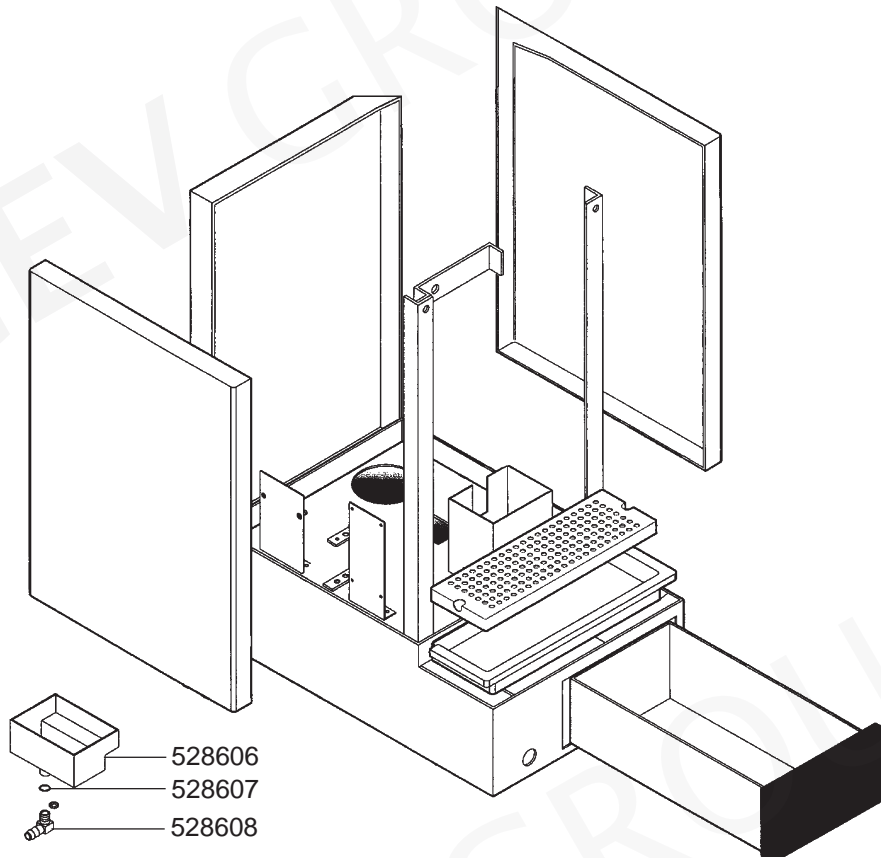
402709



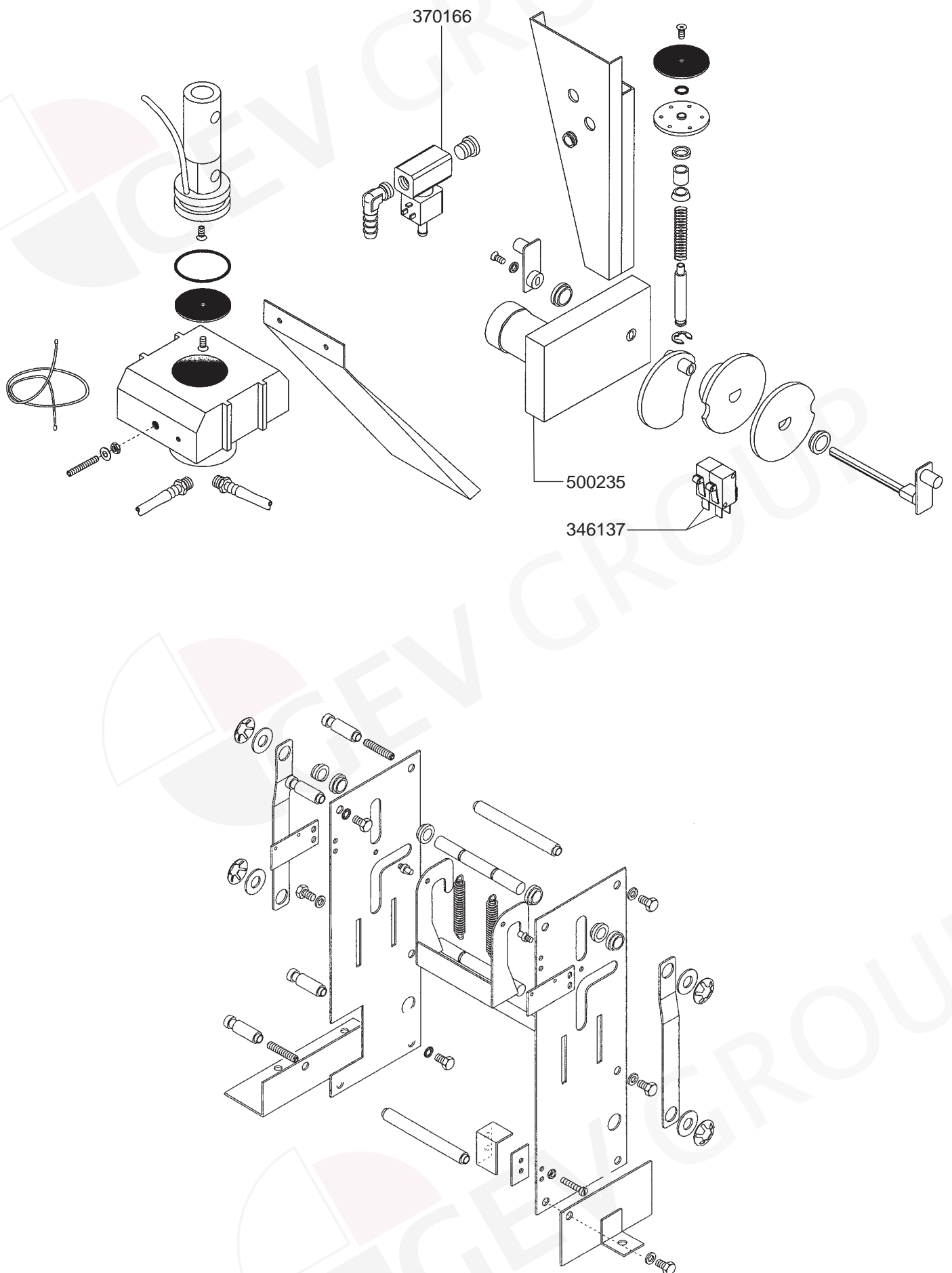
402710

## OUTER CASING OFFICE

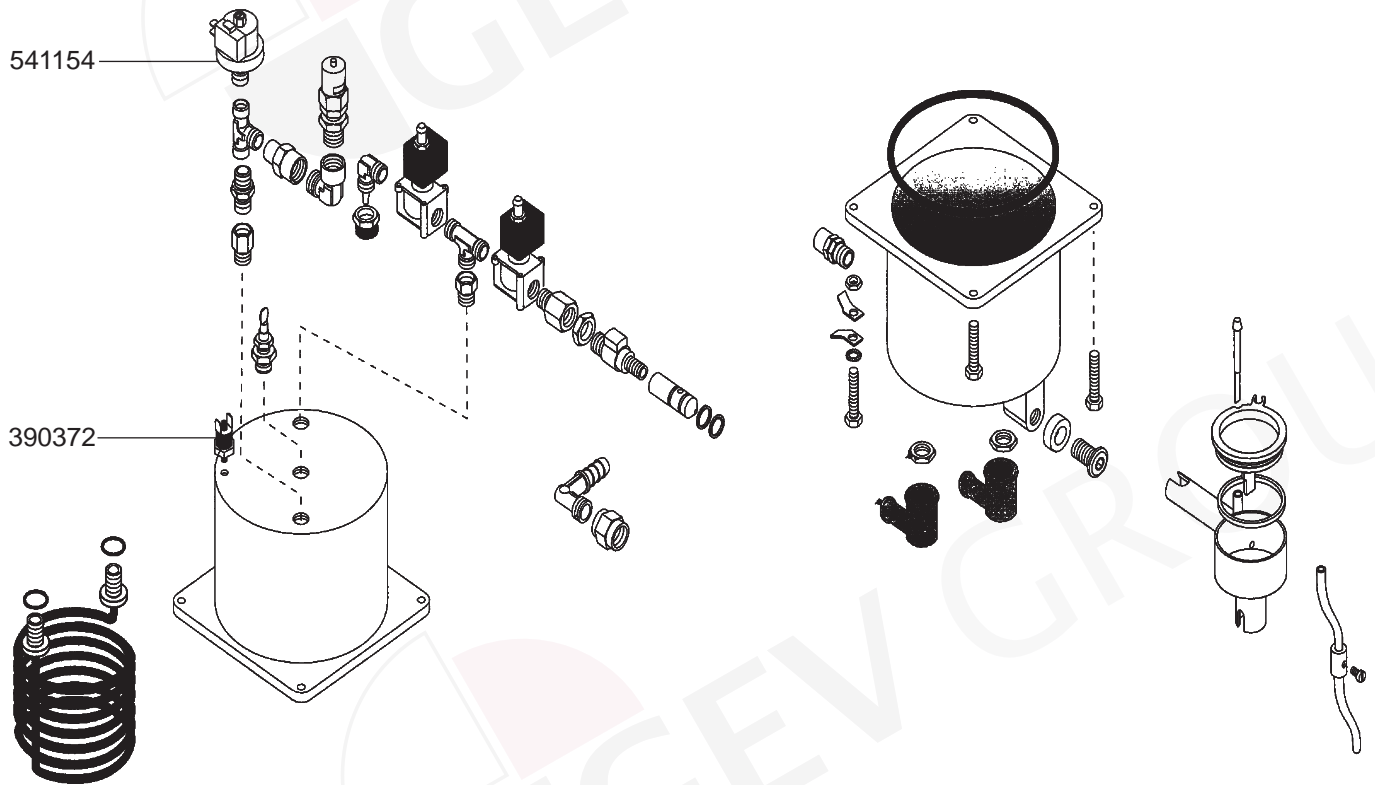
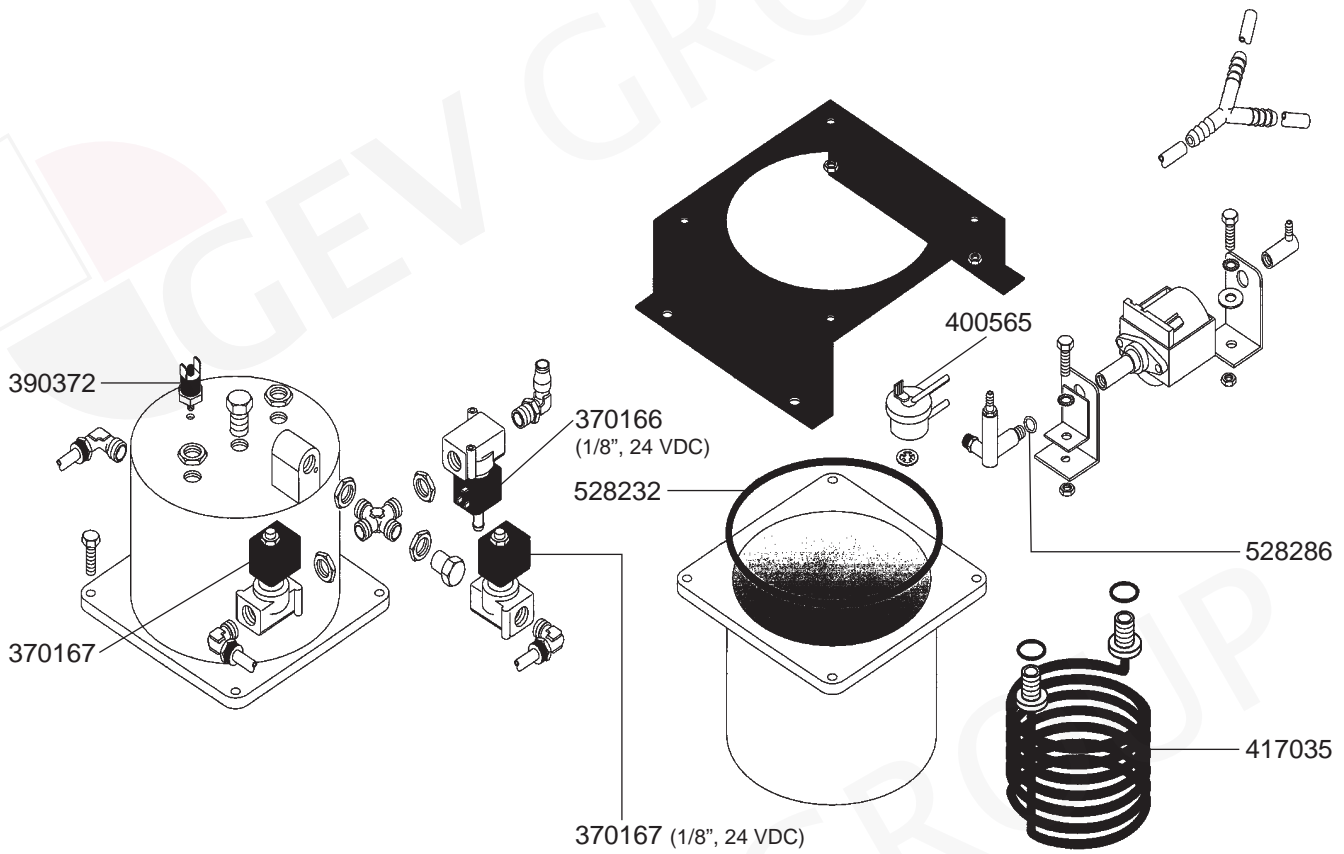
AUTOMATIC MACHINES 3



GROUP OFFICE

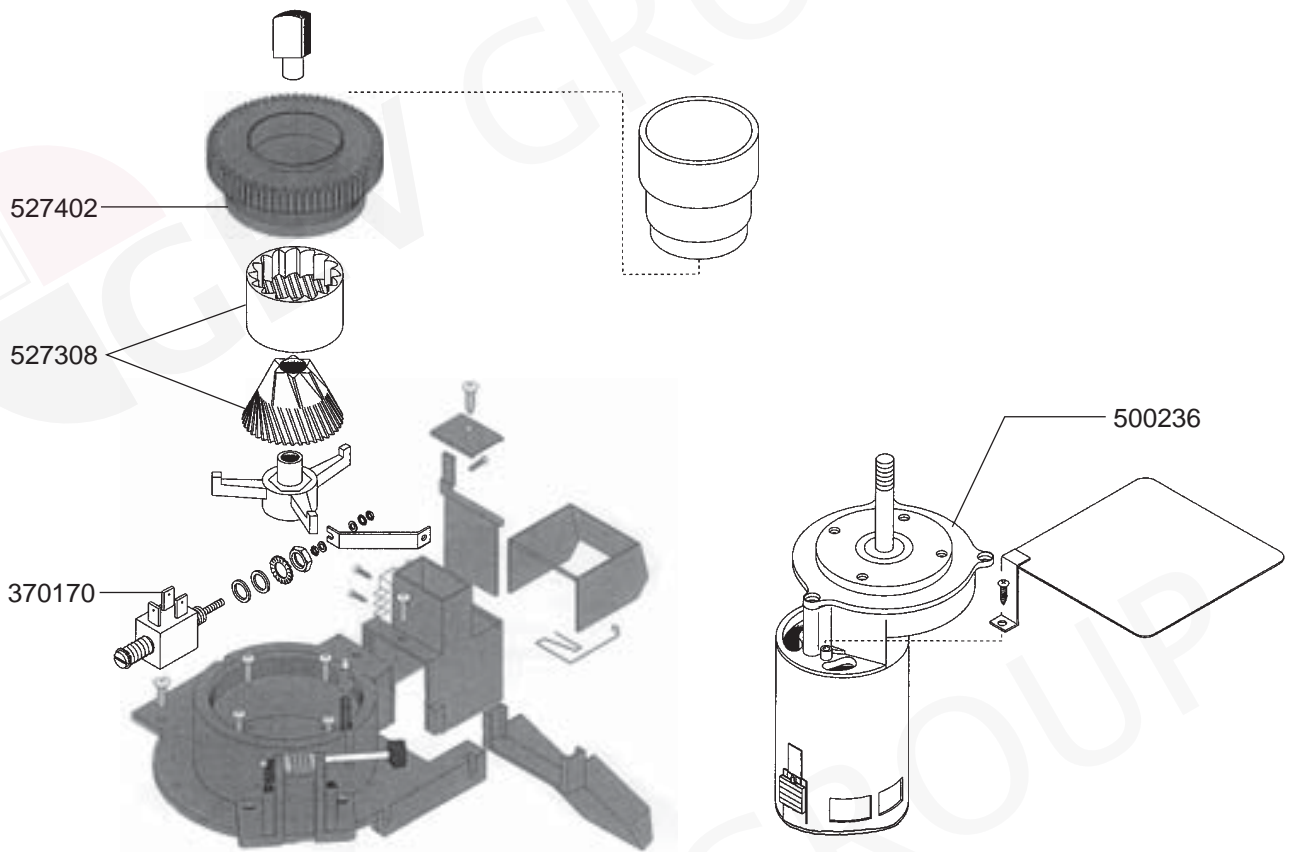


## COFFEE BOILER OFFICE

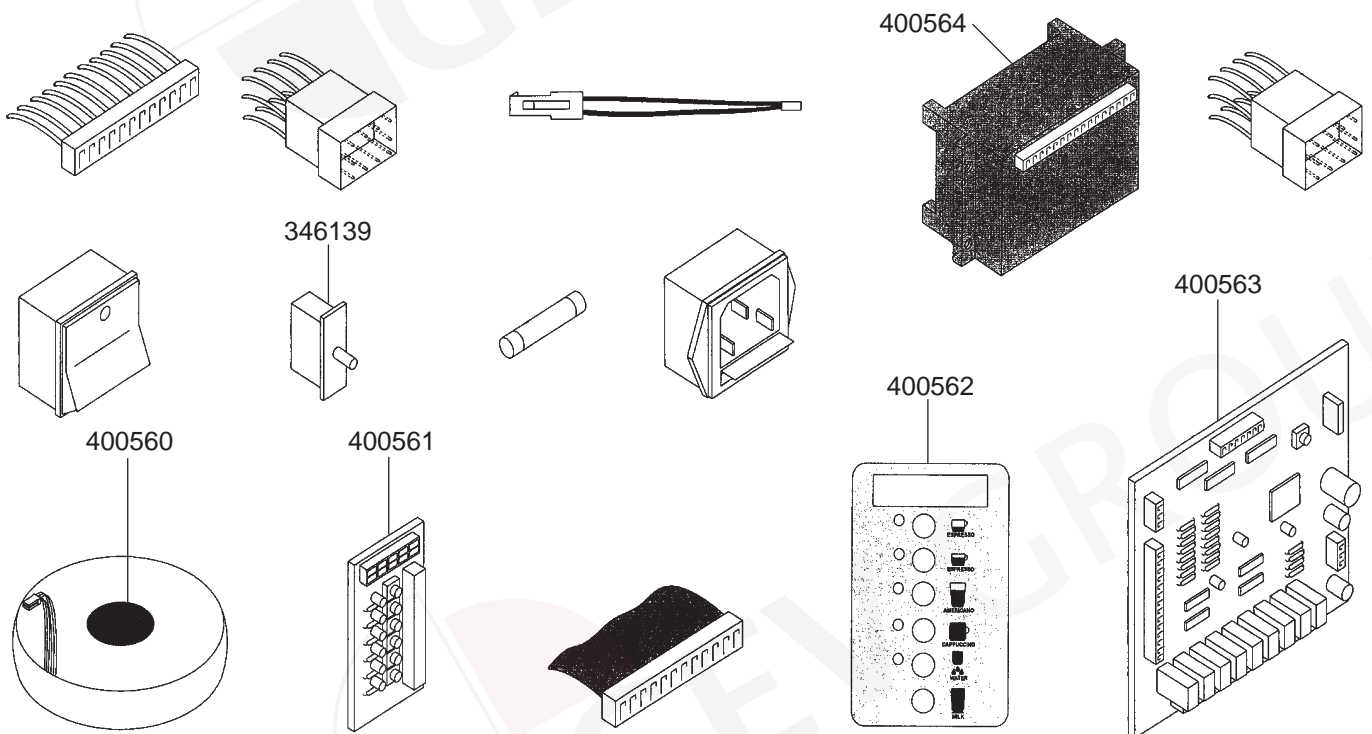




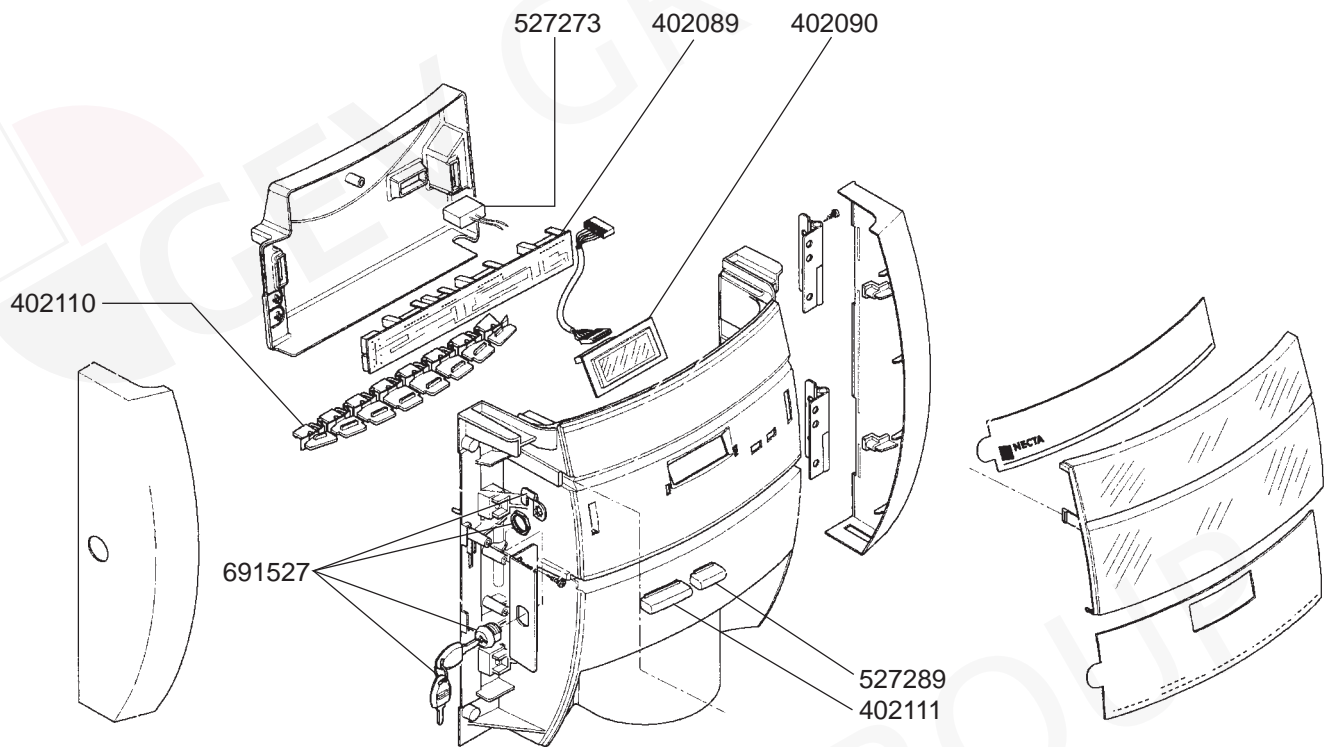
COFFEE GRINDER OFFICE



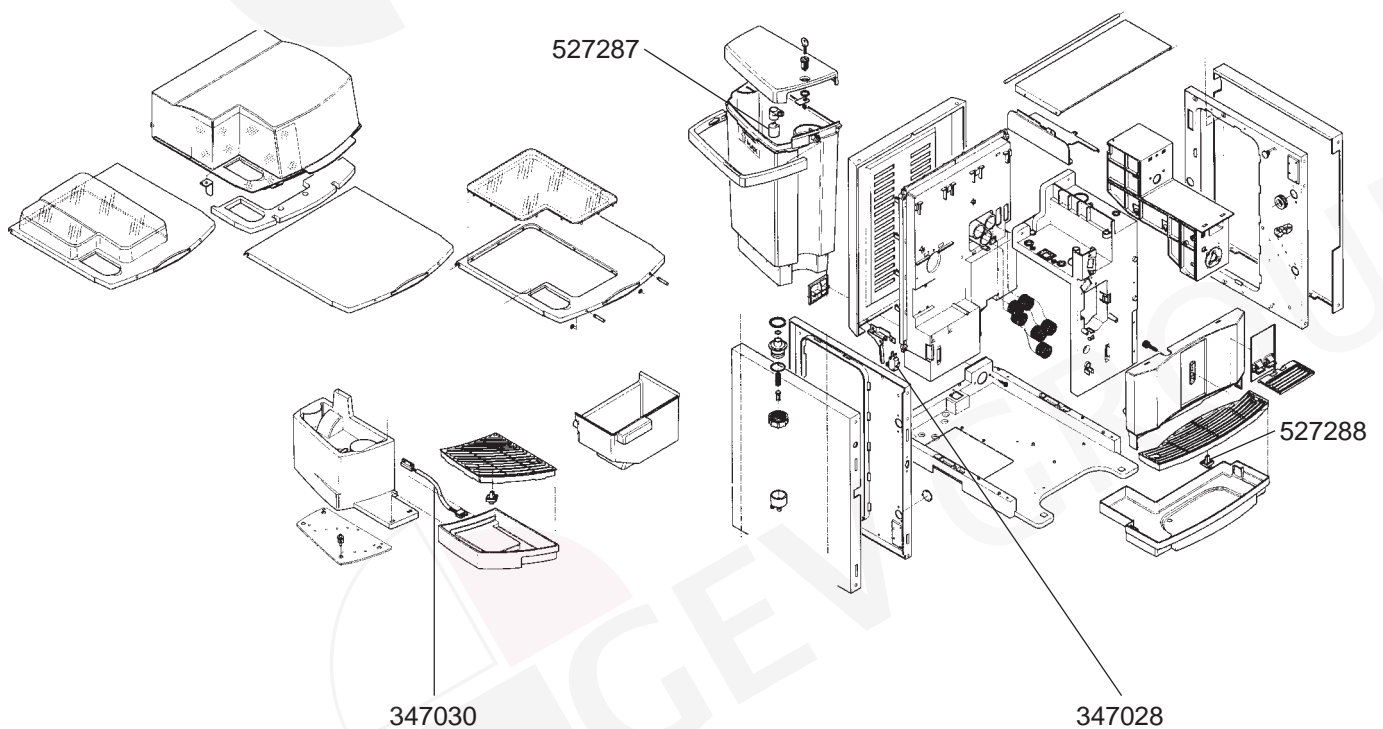
ELECTRICAL COMPONENTS OFFICE



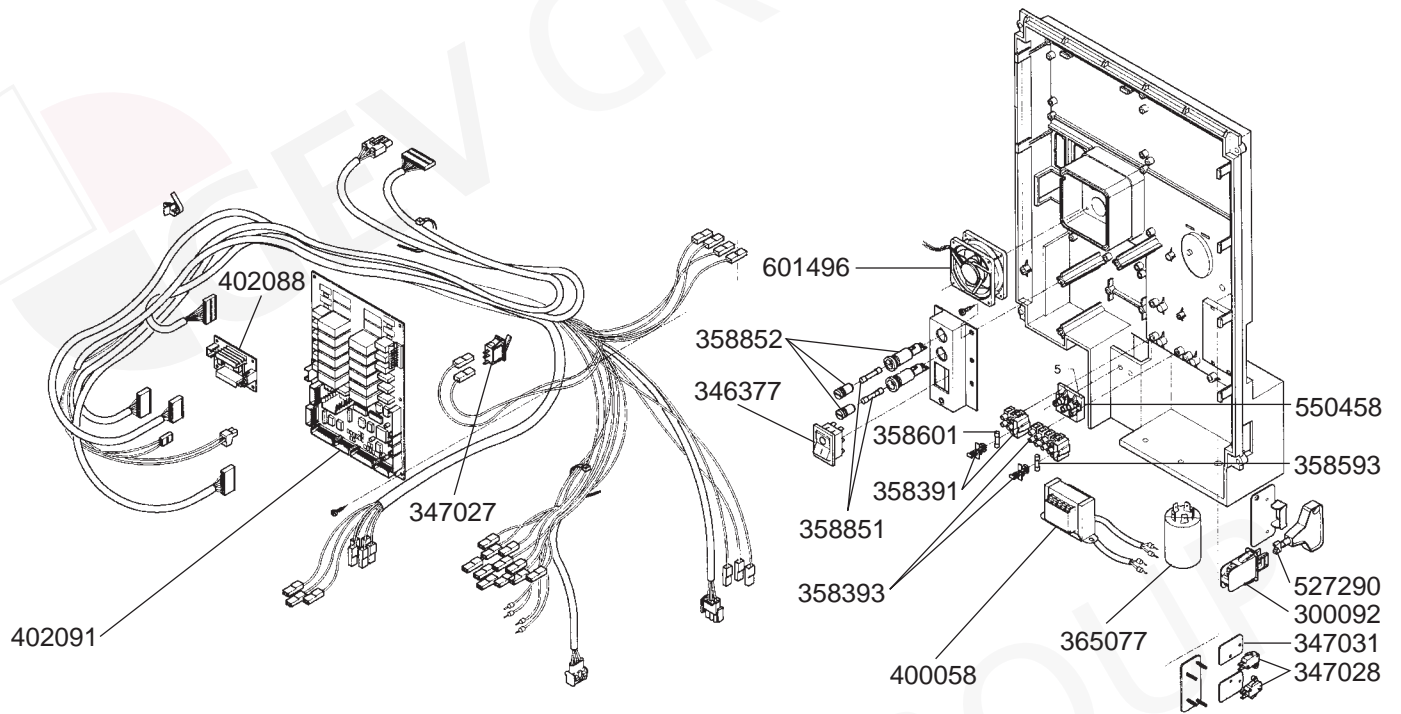
## CABINET/TOUCH PAD KORO ESPRESSO



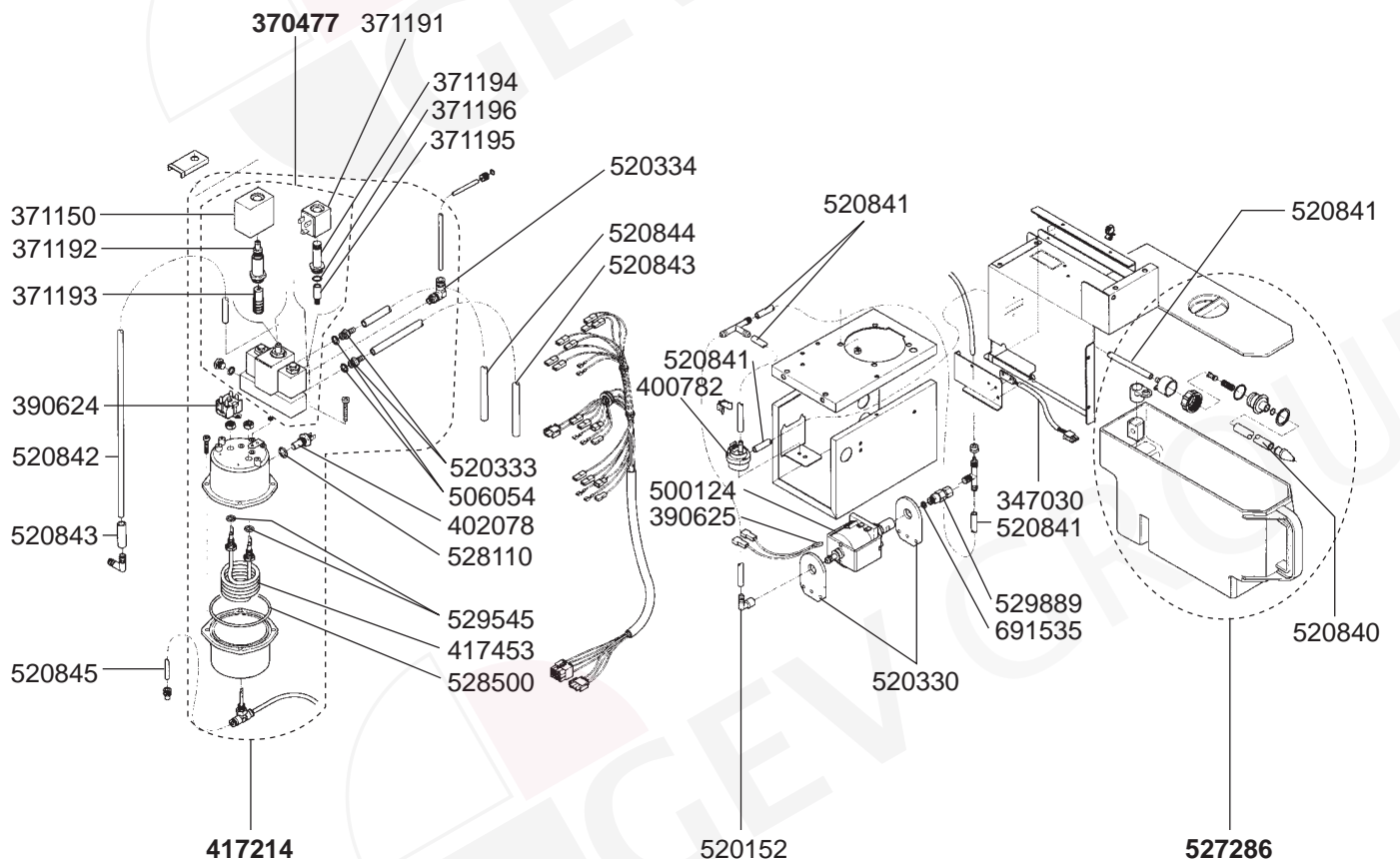
## CABINET KORO ESPRESSO



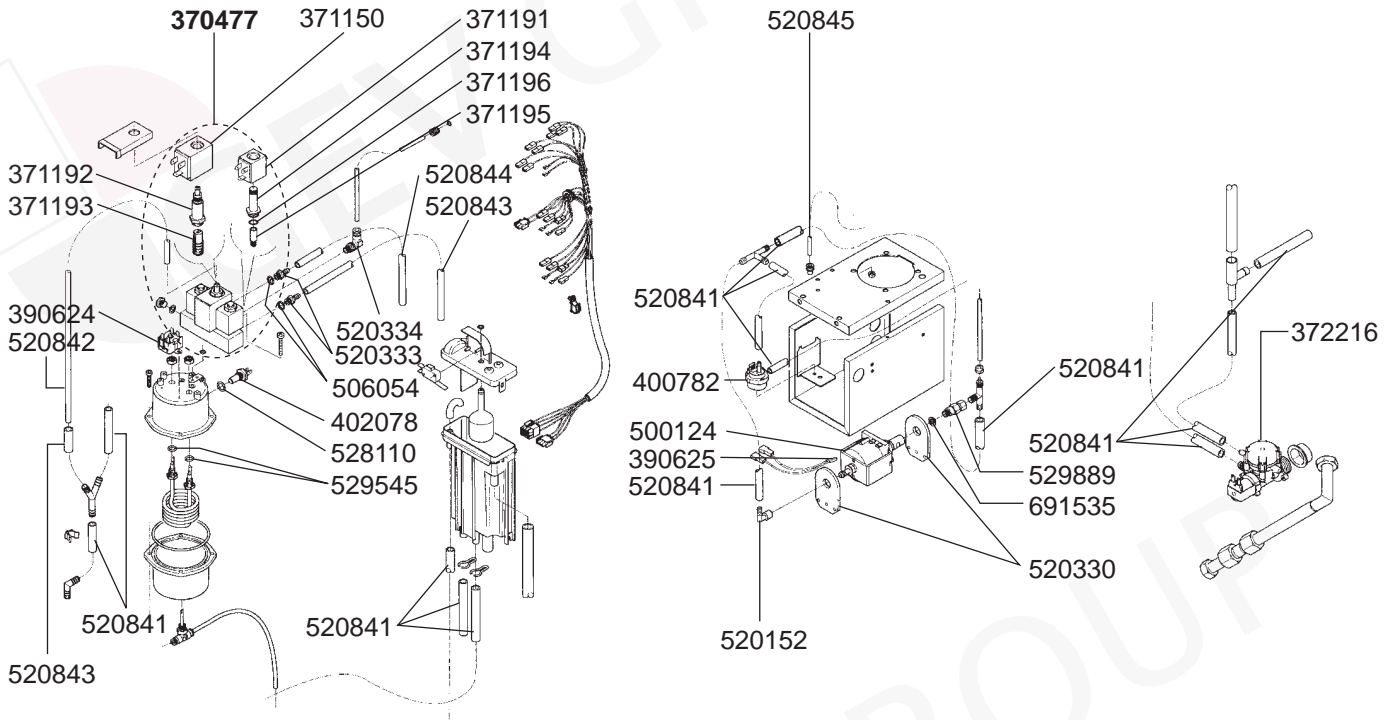
## ELECTRICAL COMPONENTS KORO ESPRESSO



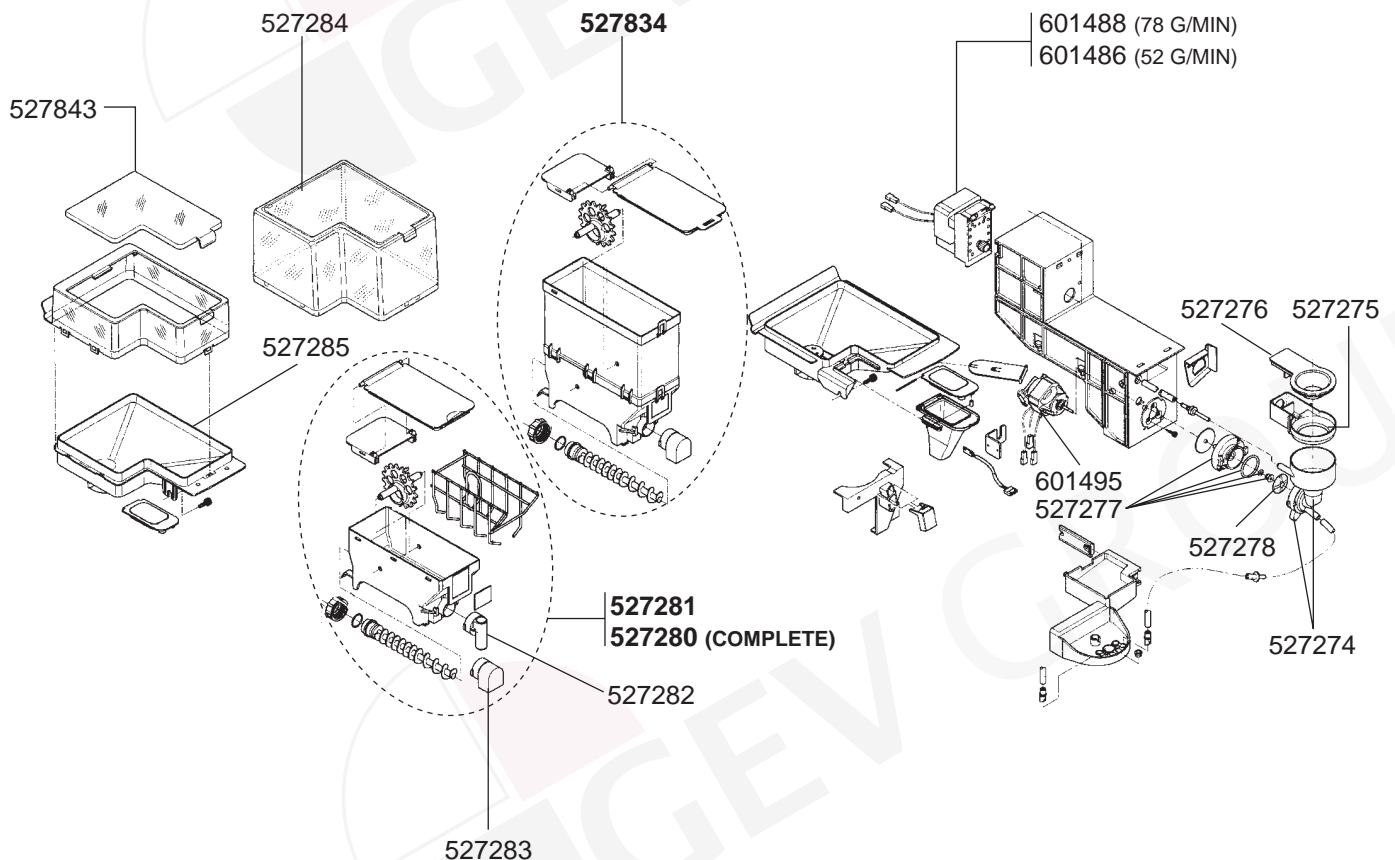
## GROUP KORO ESPRESSO



## GROUP KORO ESPRESSO

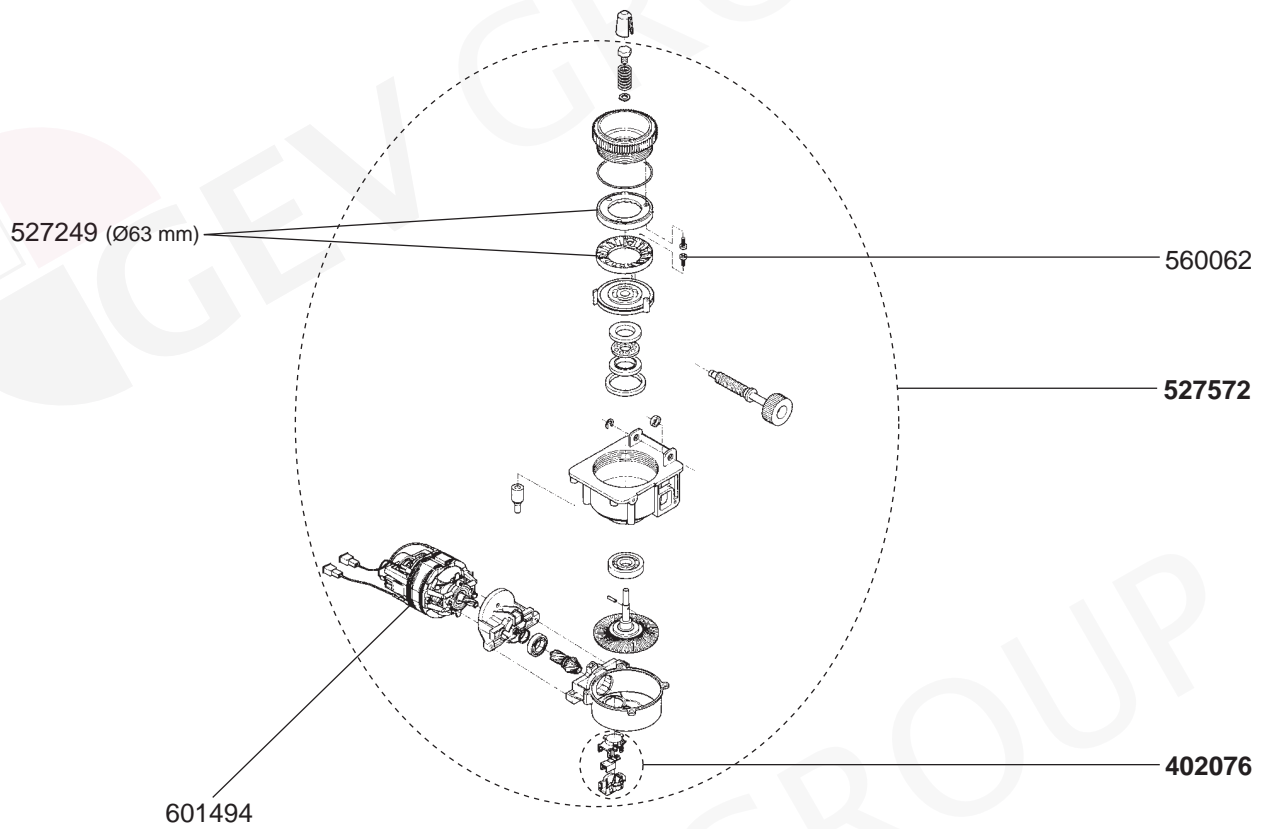


## DISPENSERS KORO ESPRESSO

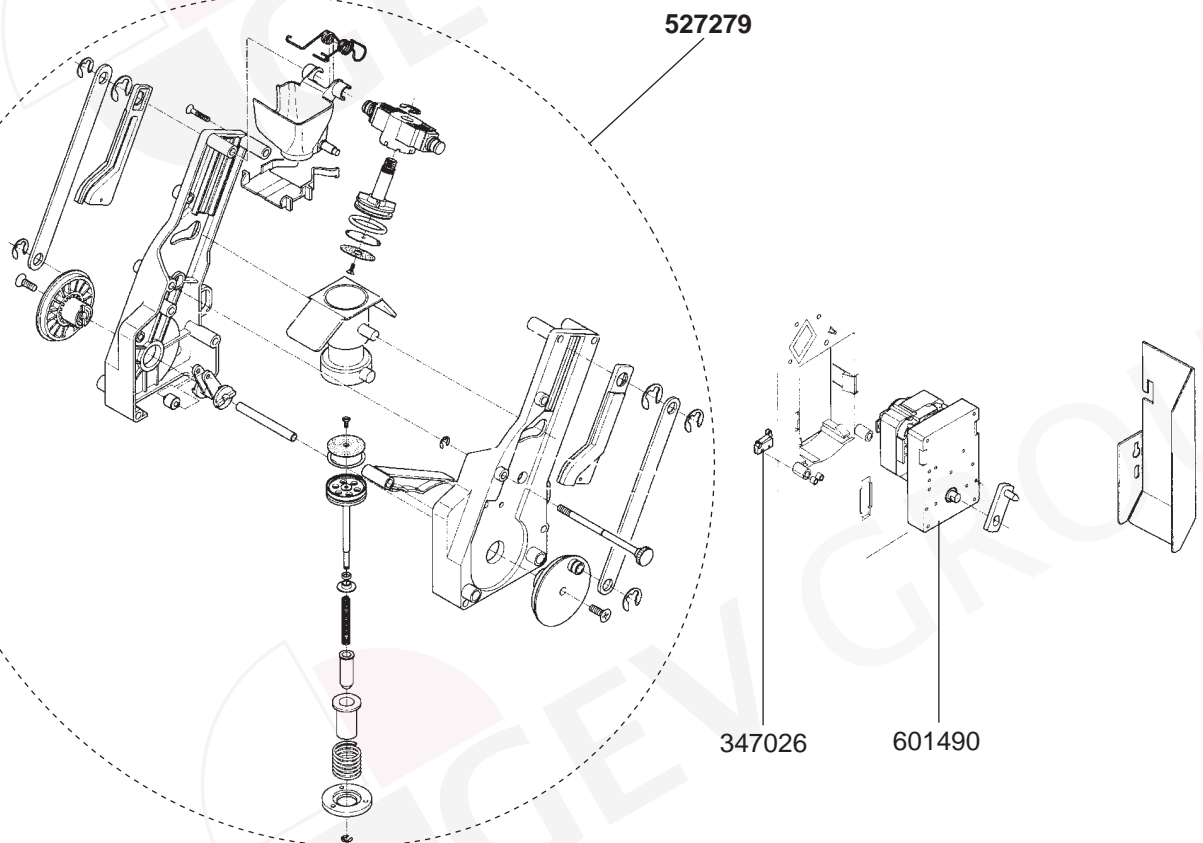


AUTOMATIC MACHINES 3

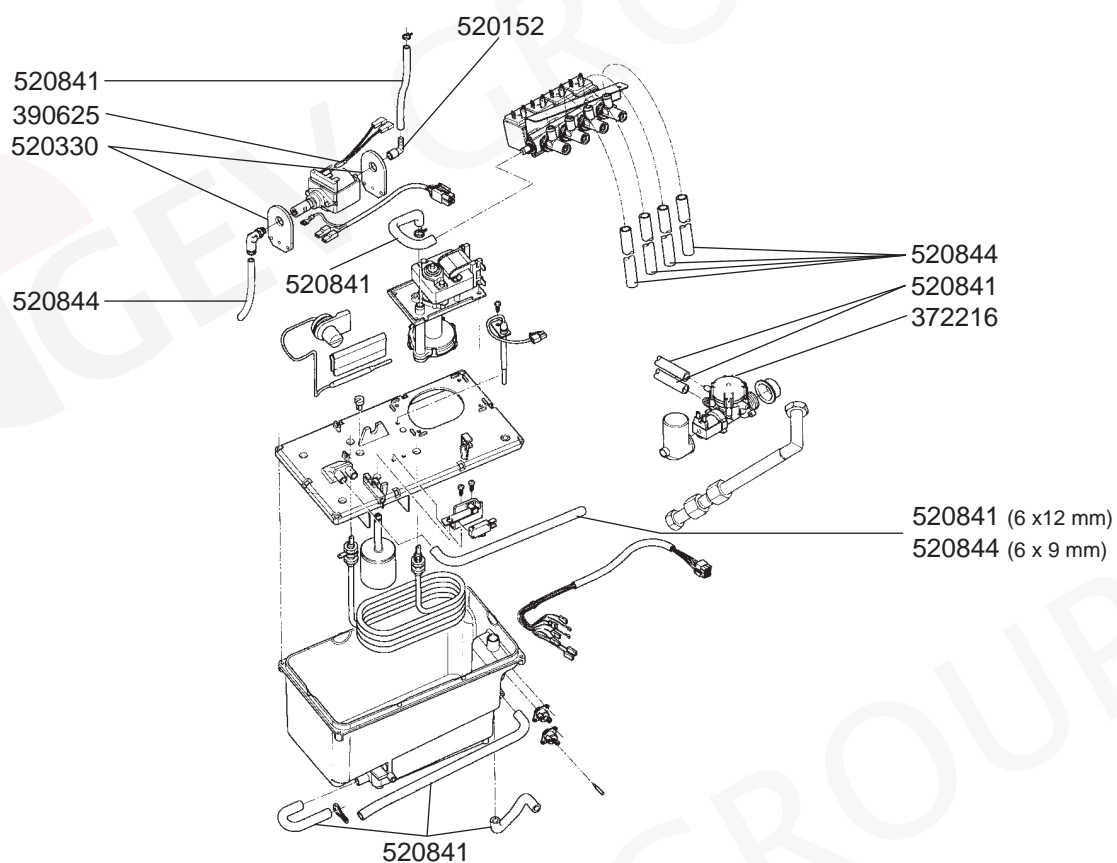
COFFEE GRINDER KORO ESPRESSO



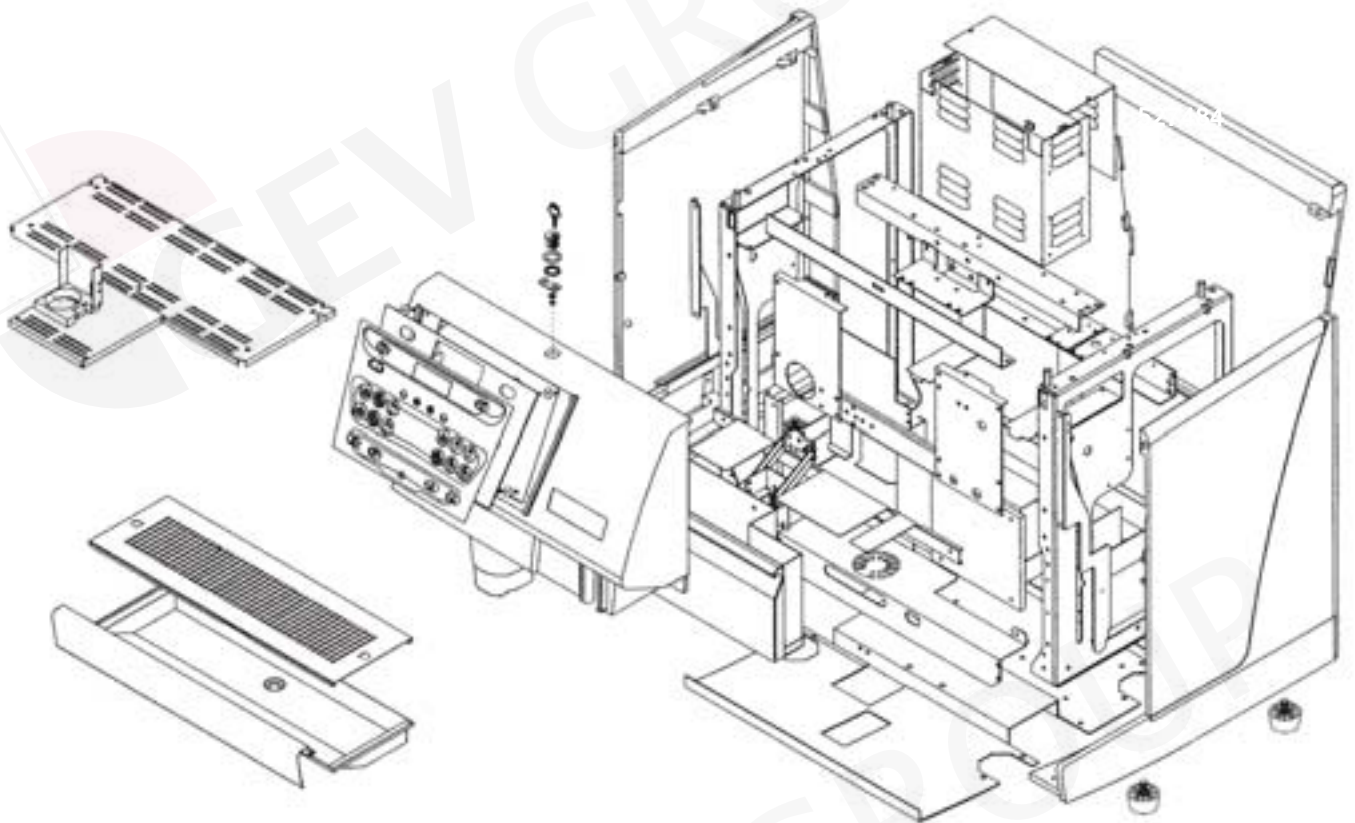
PISTON KORO ESPRESSO



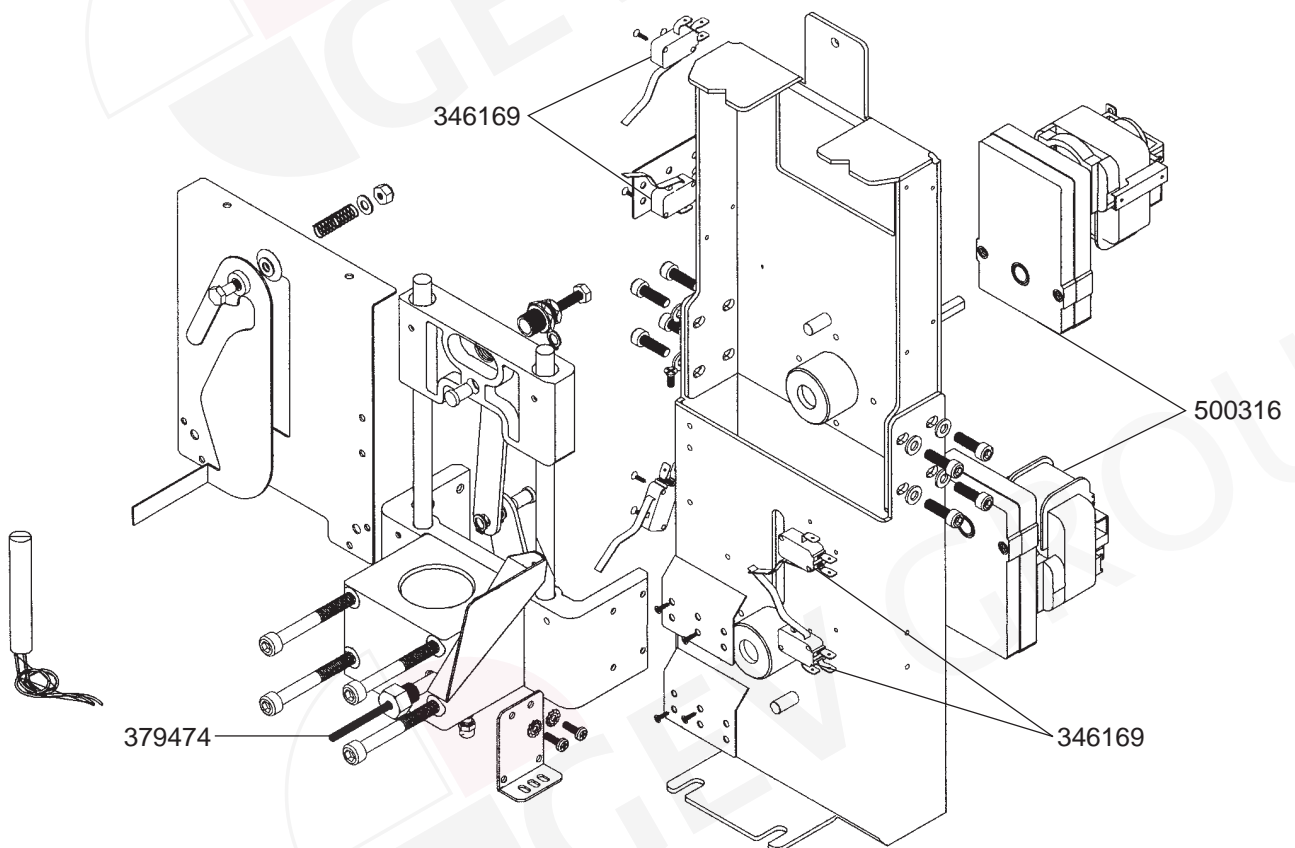
## BOILER KORO ESPRESSO



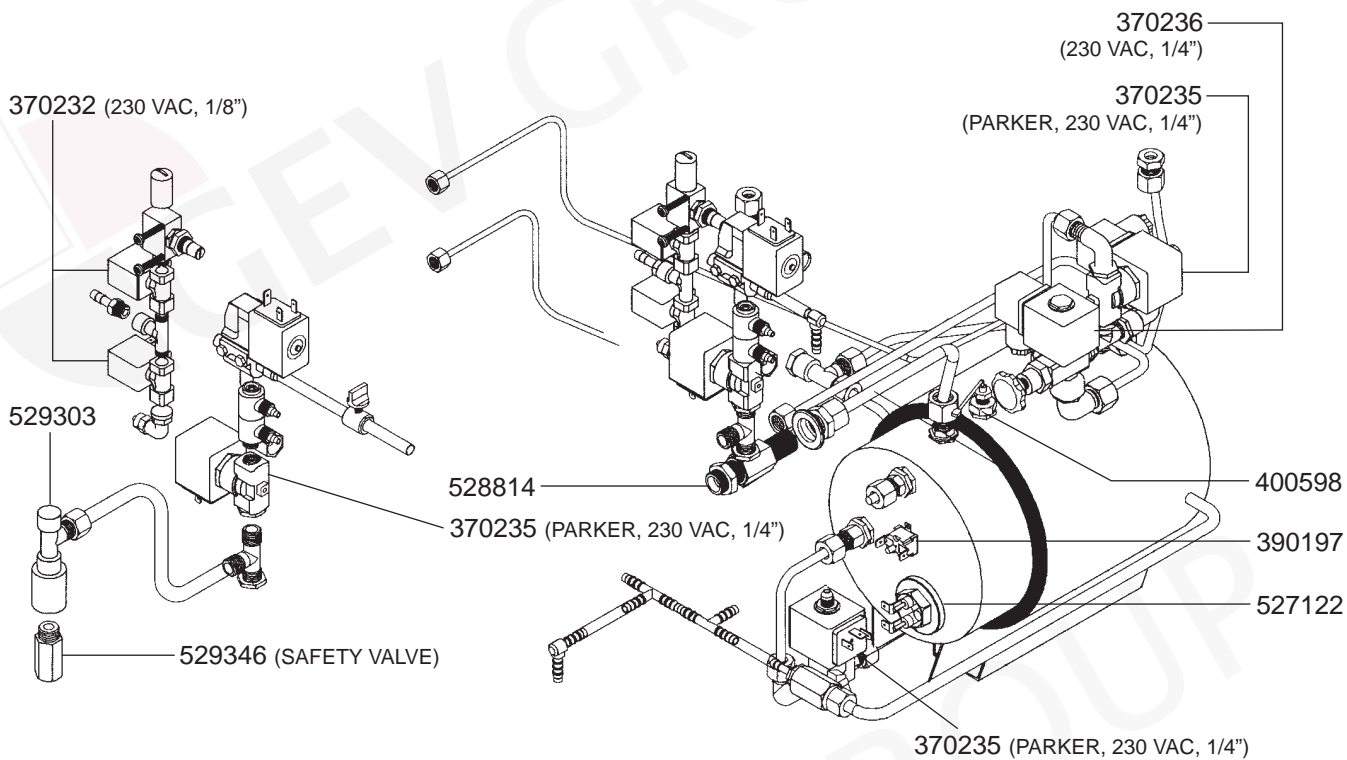
CABINET CAFFETTERIA ITALIANA



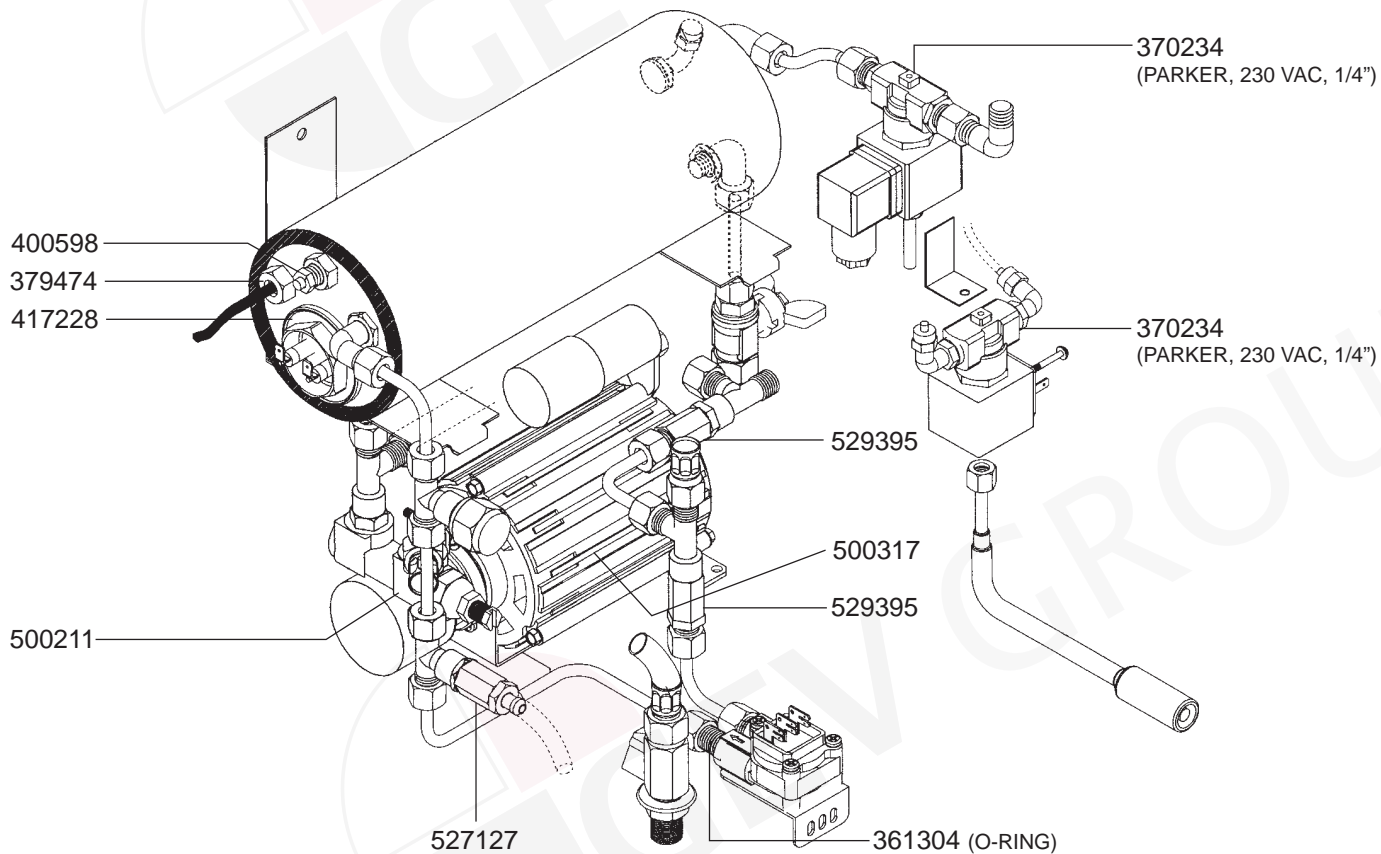
DISPENSING GROUP COMPONENTS CAFFETTERIA ITALIANA



## SERVICE BOILER CAFFETTERIA ITALIANA



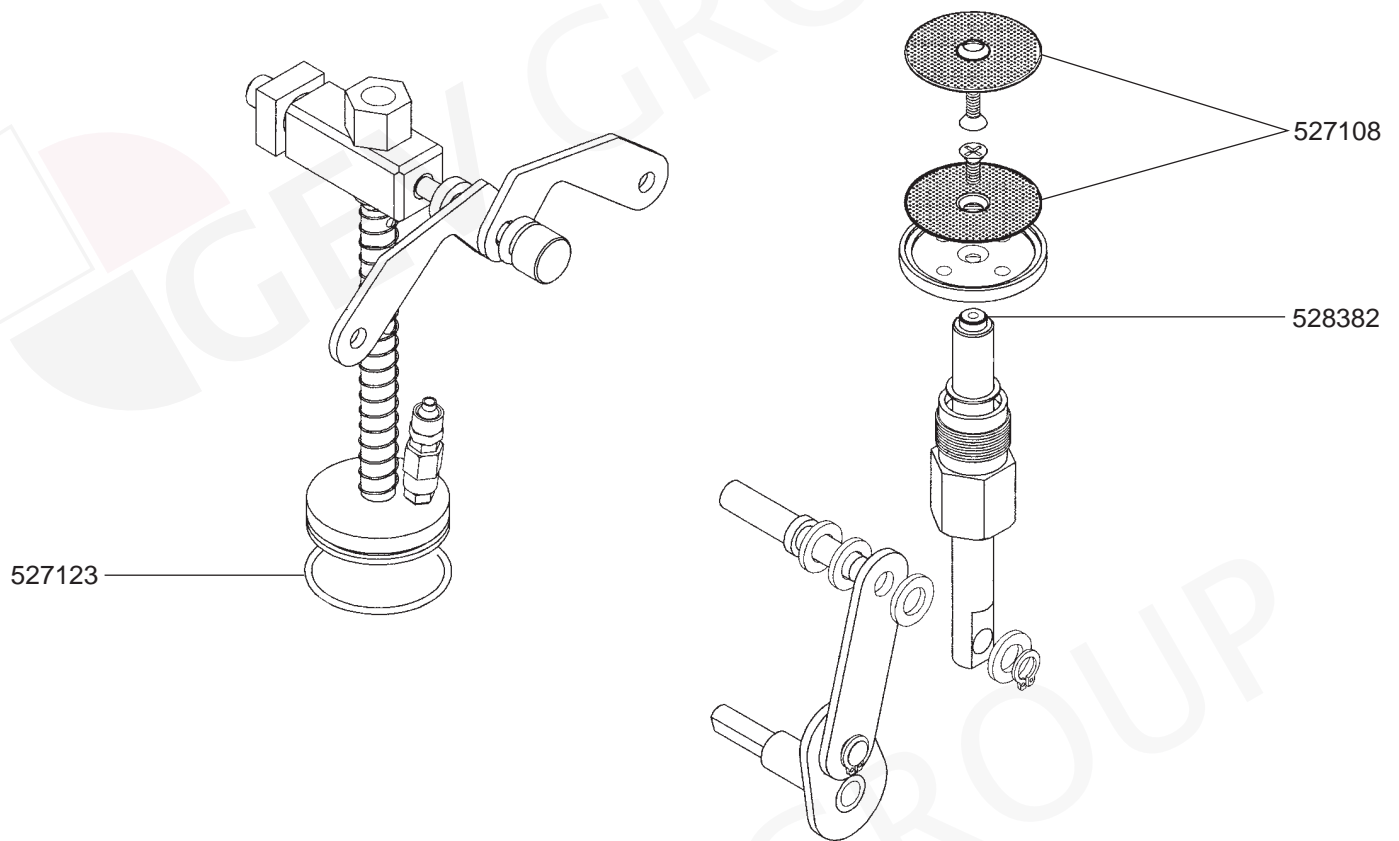
## BOILER COFFEE CAFFETTERIA ITALIANA



AUTOMATIC MACHINES 3

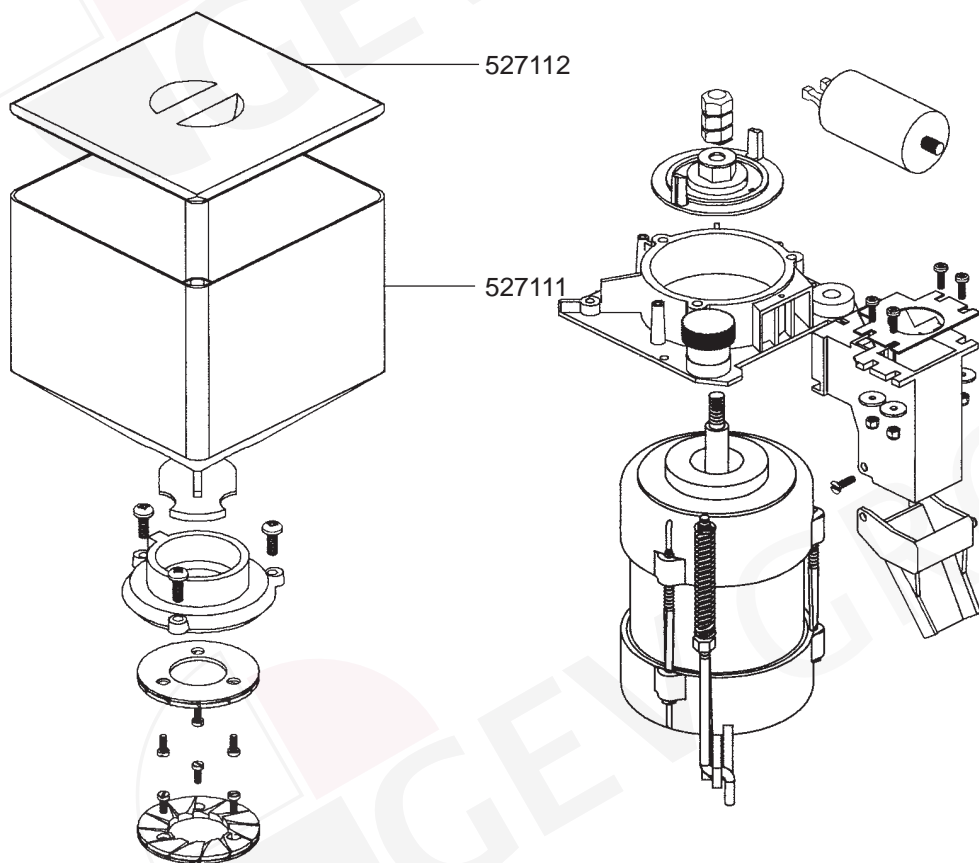


GROUP PISTON CAFFETTERIA ITALIANA

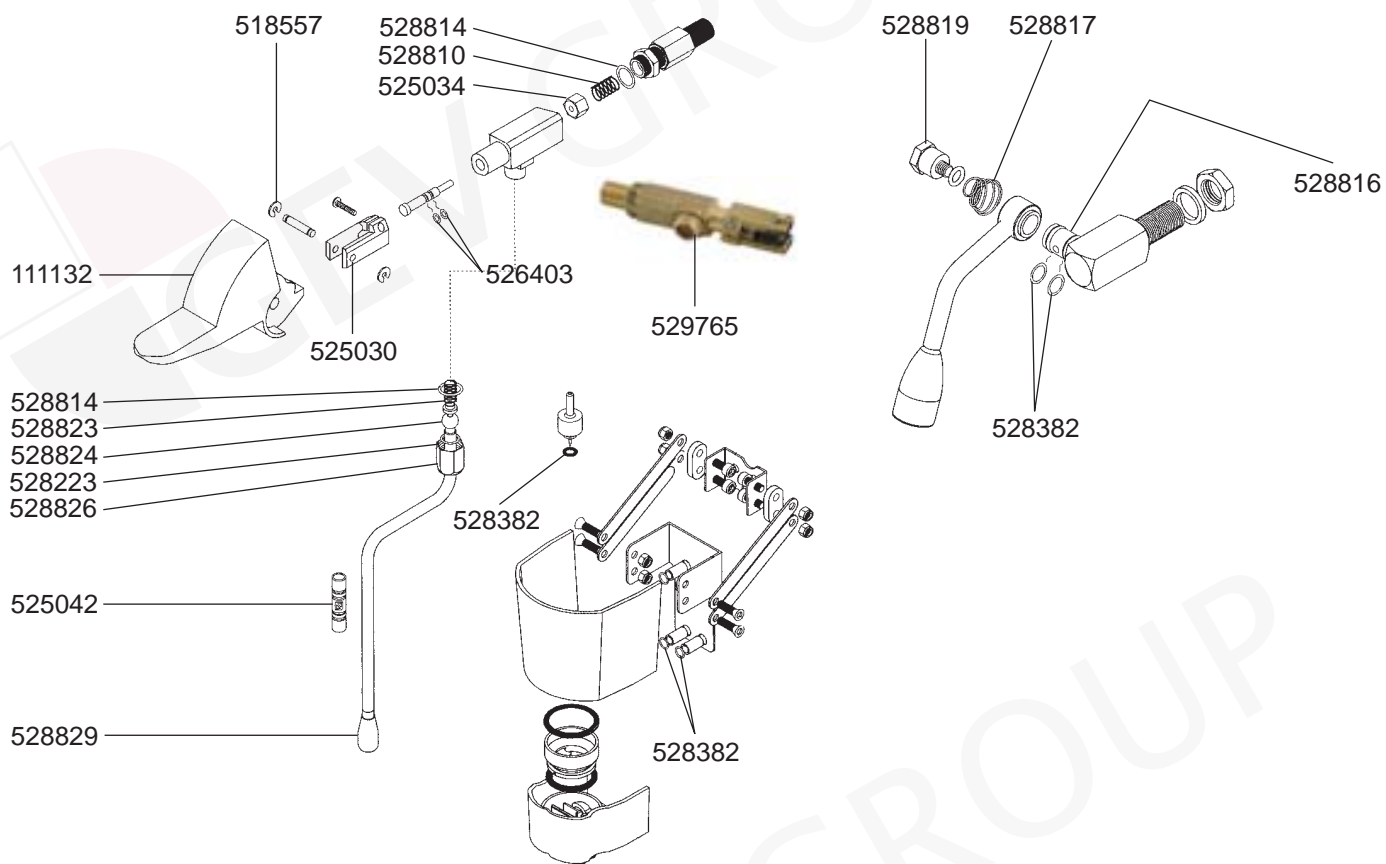


AUTOMATIC MACHINES 3

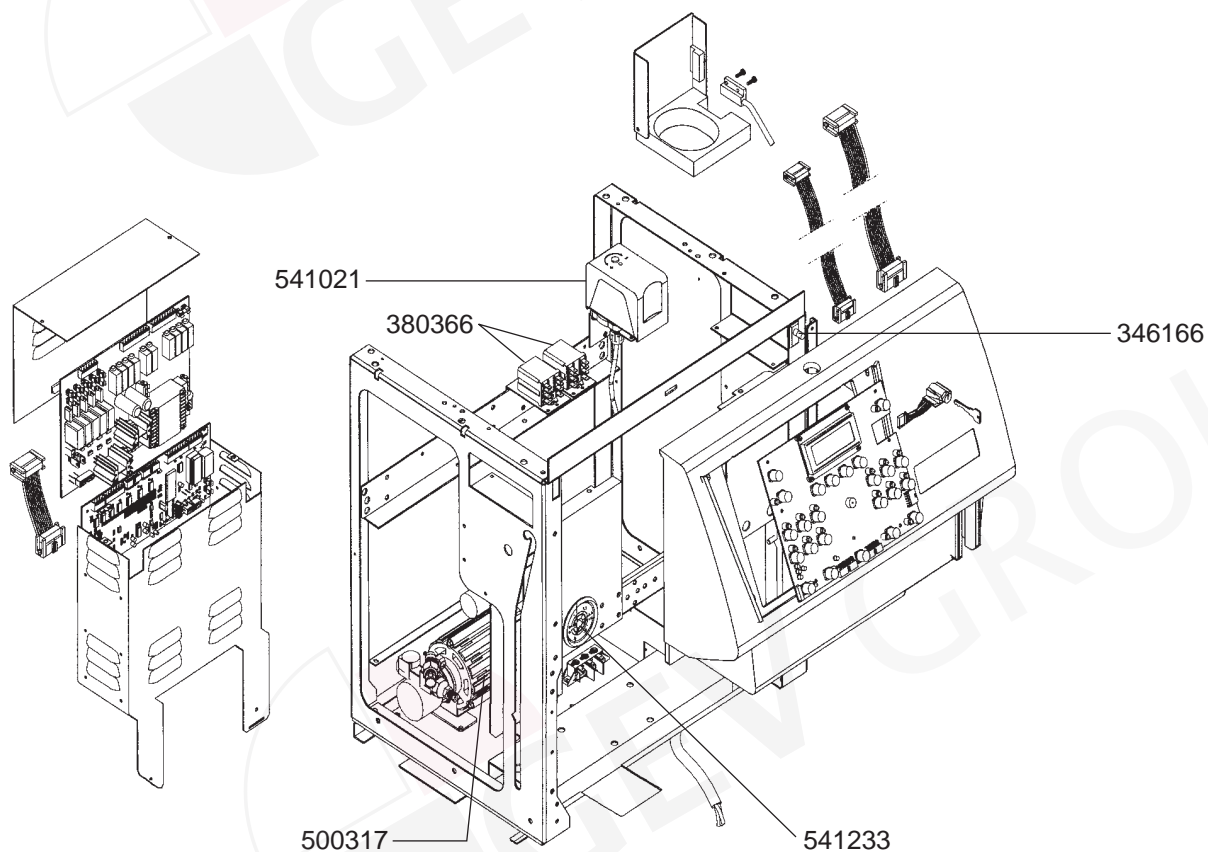
GRINDER COMPONENTS CAFFETTERIA ITALIANA



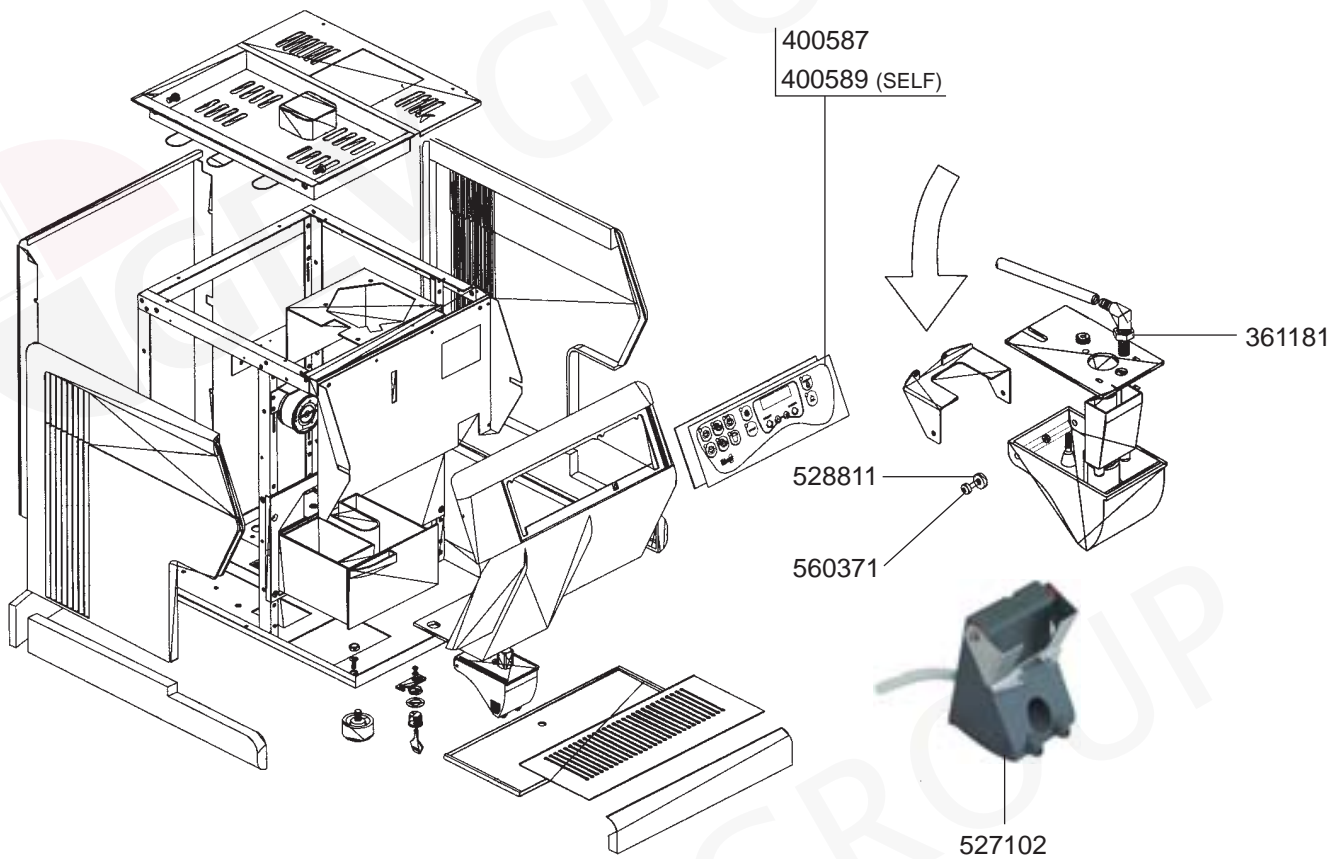
## STEAM VALVE/DELIVERY NOZZLE CAFFETTERIA ITALIANA



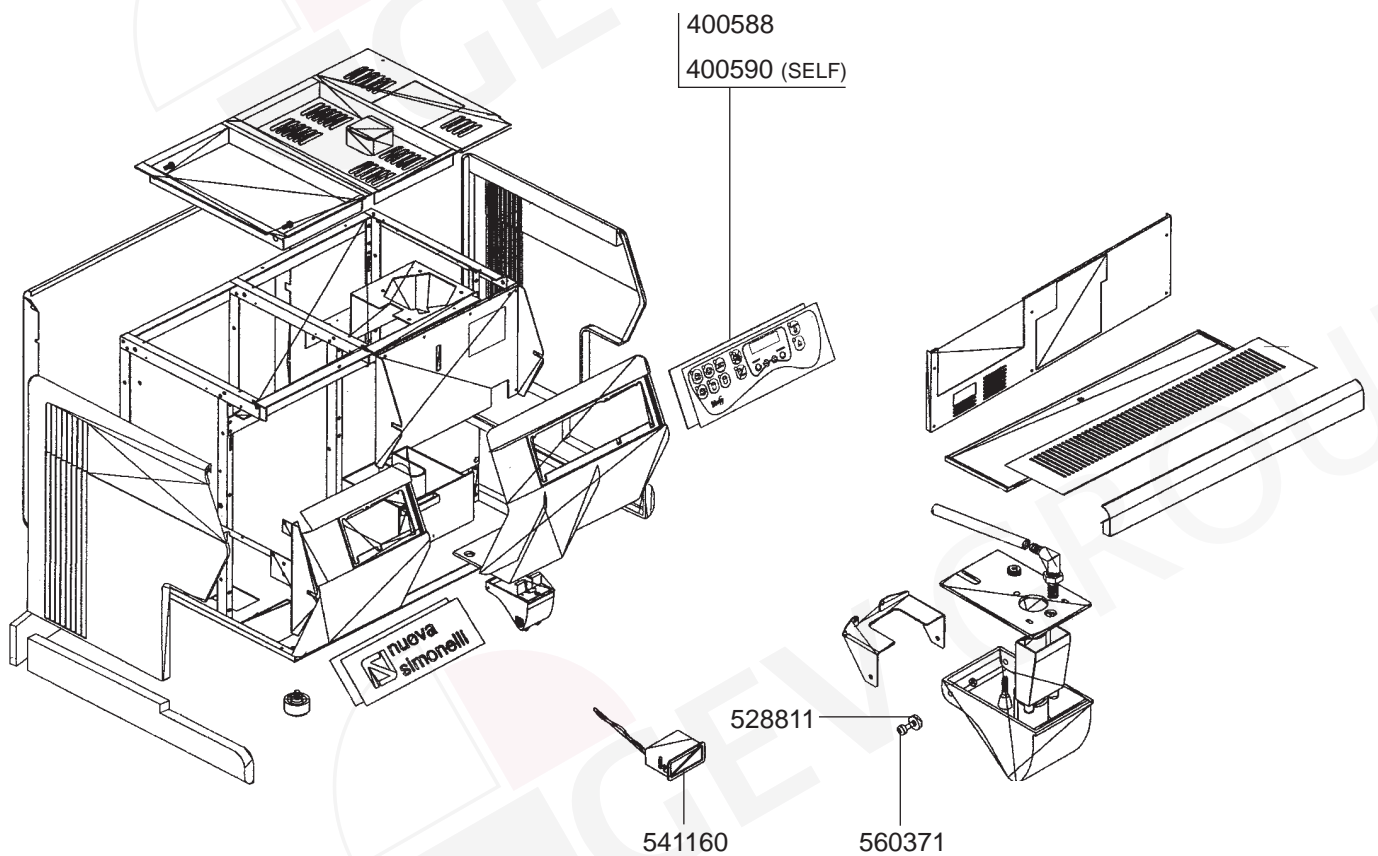
## ELECTRICAL COMPONENTS CAFFETTERIA ITALIANA



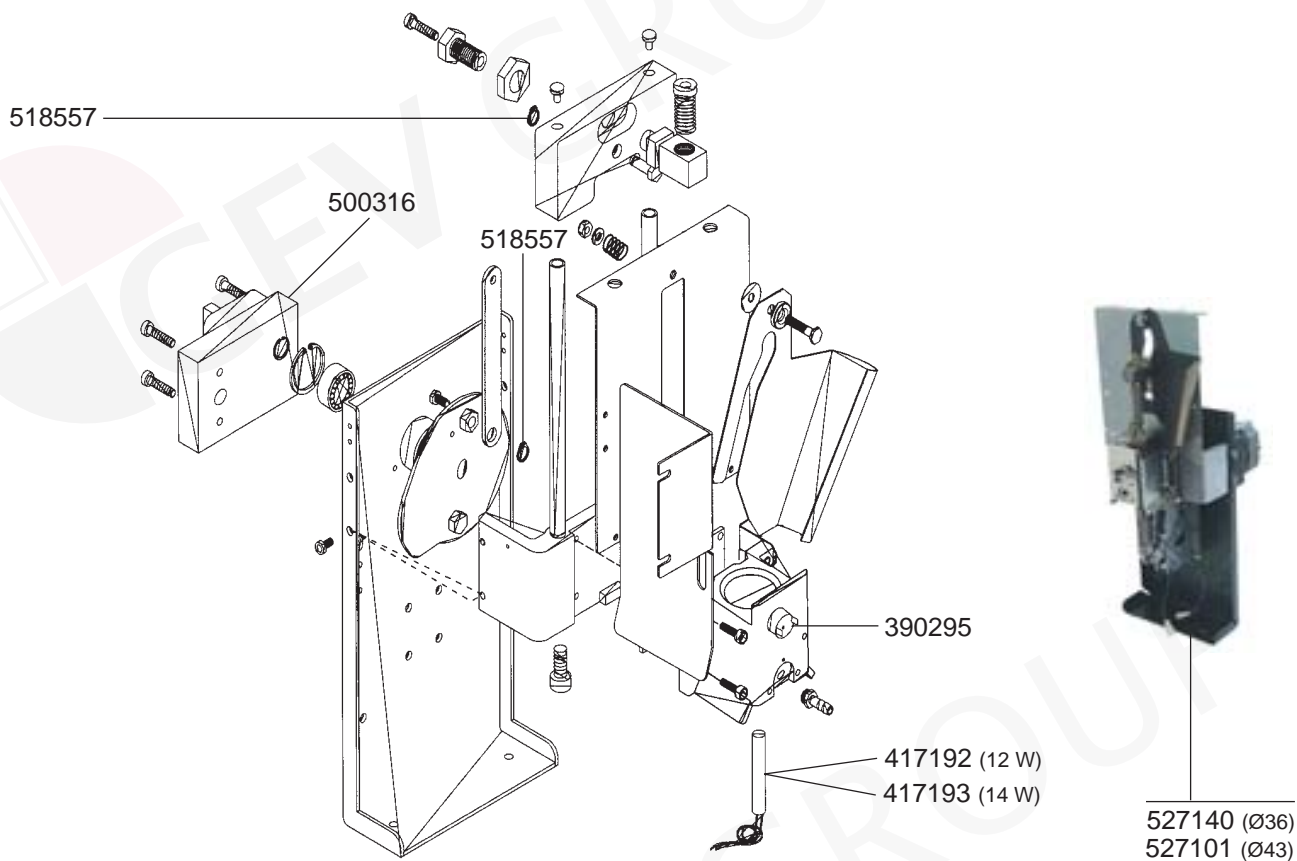
CABINET MASTER 1



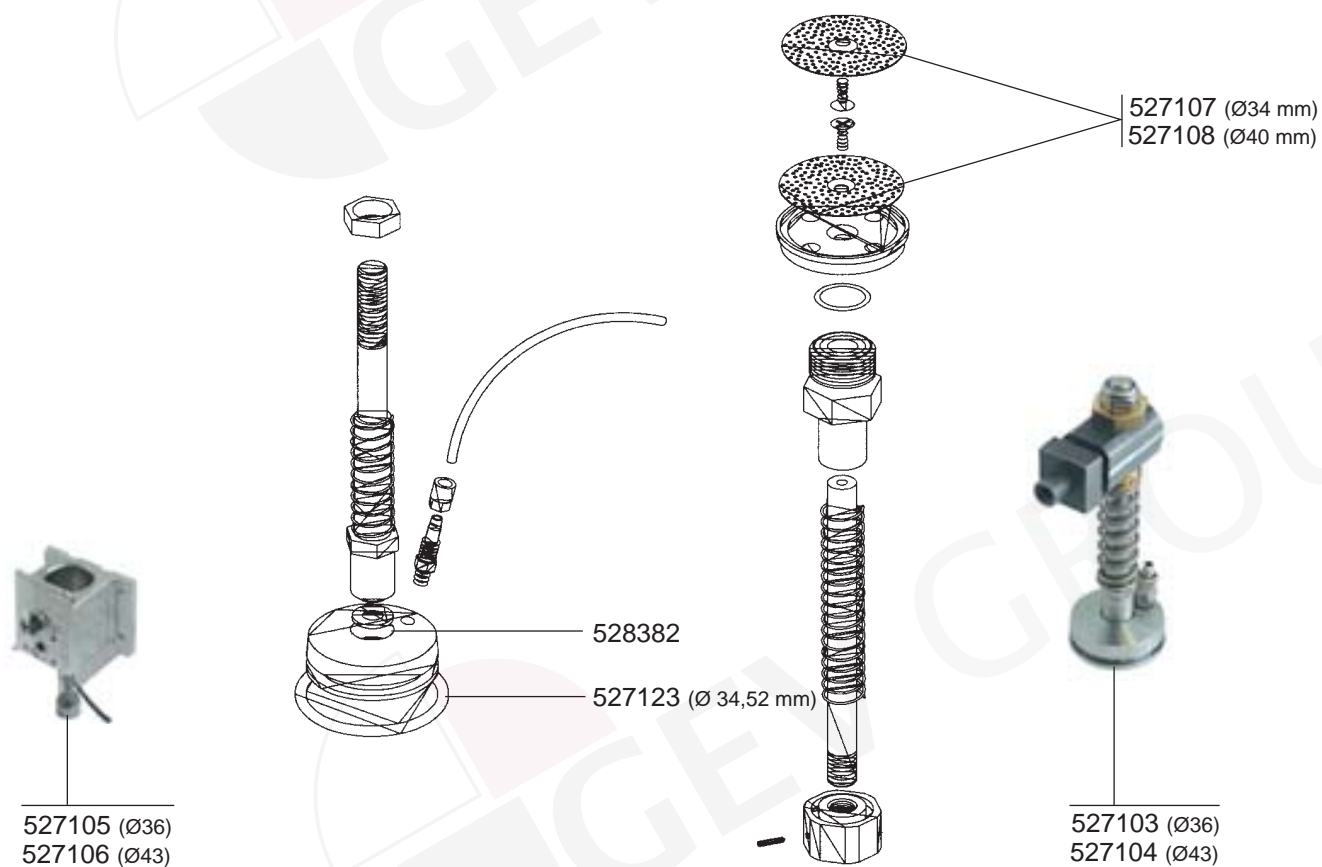
CABINET MASTER CAPPUCCINO 1



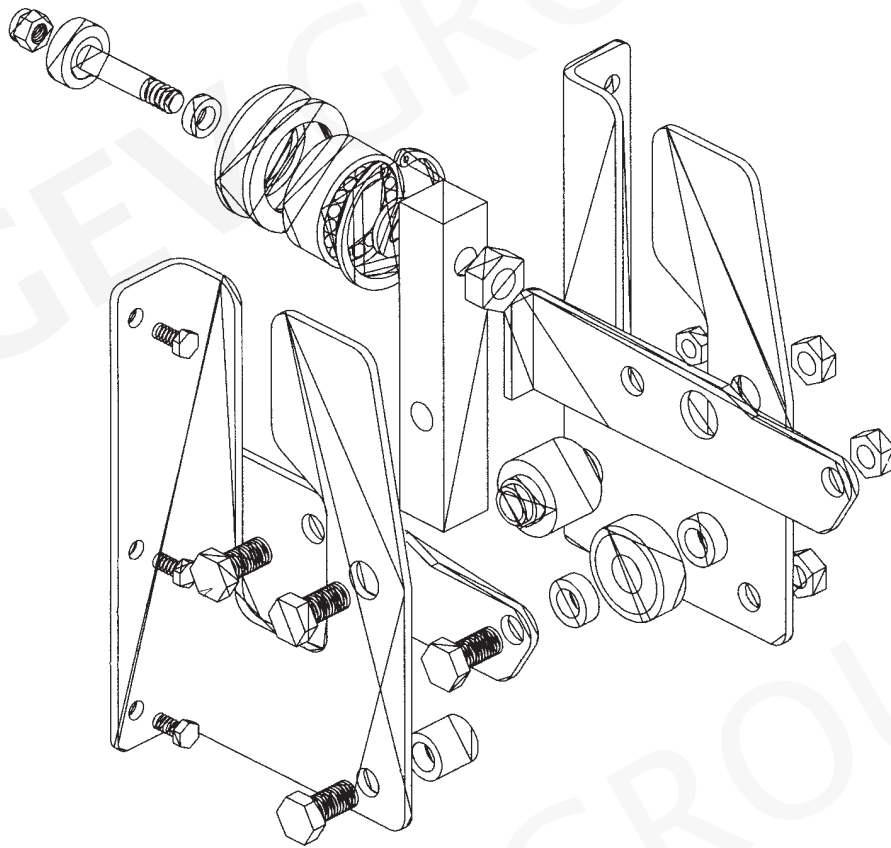
## DISPENSING GROUP COMPONENTS MASTER 1



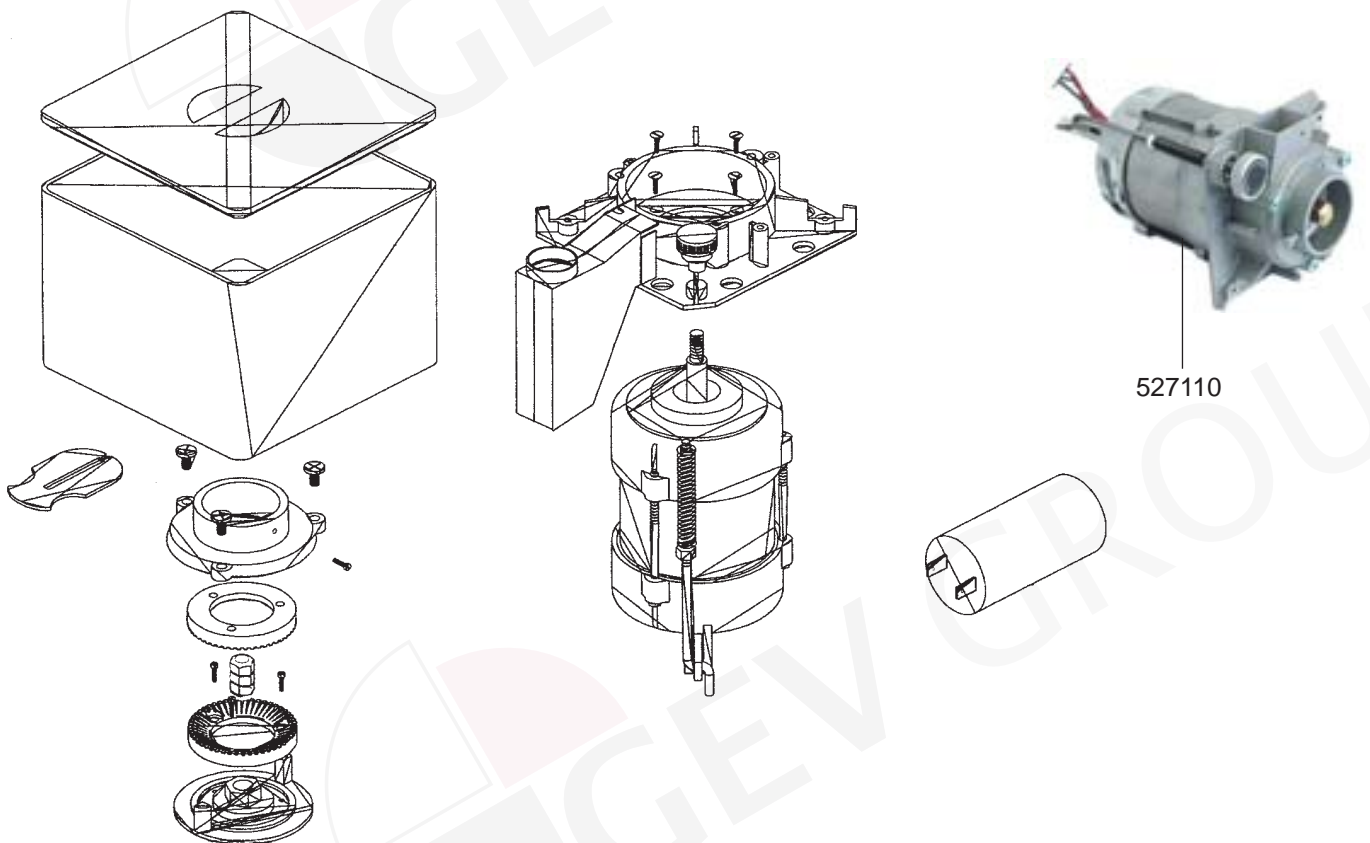
## UPPER-LOWER PISTON COMPONENTS MASTER 1



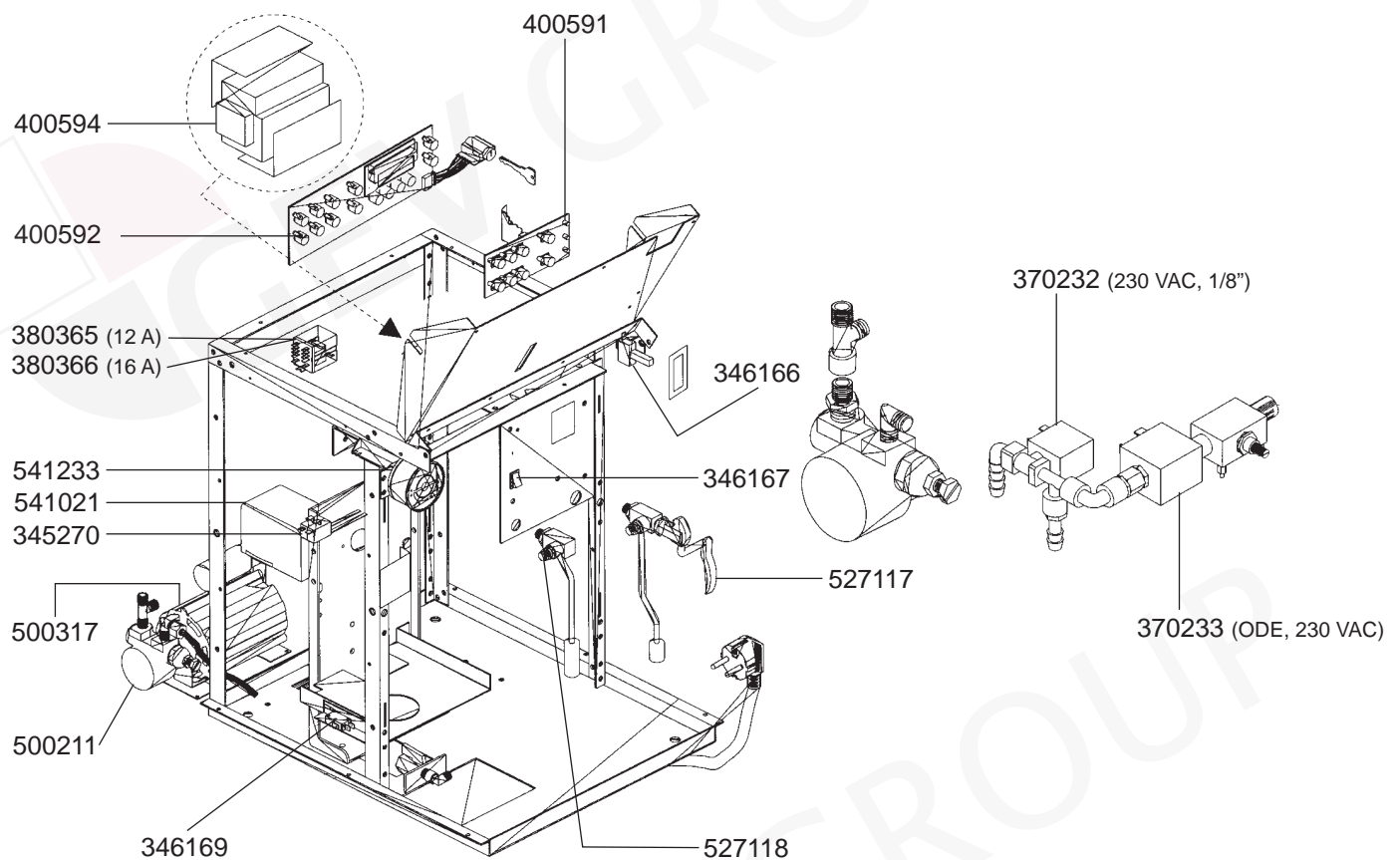
LOWER MOVIMENT COMPONENTS MASTER 1



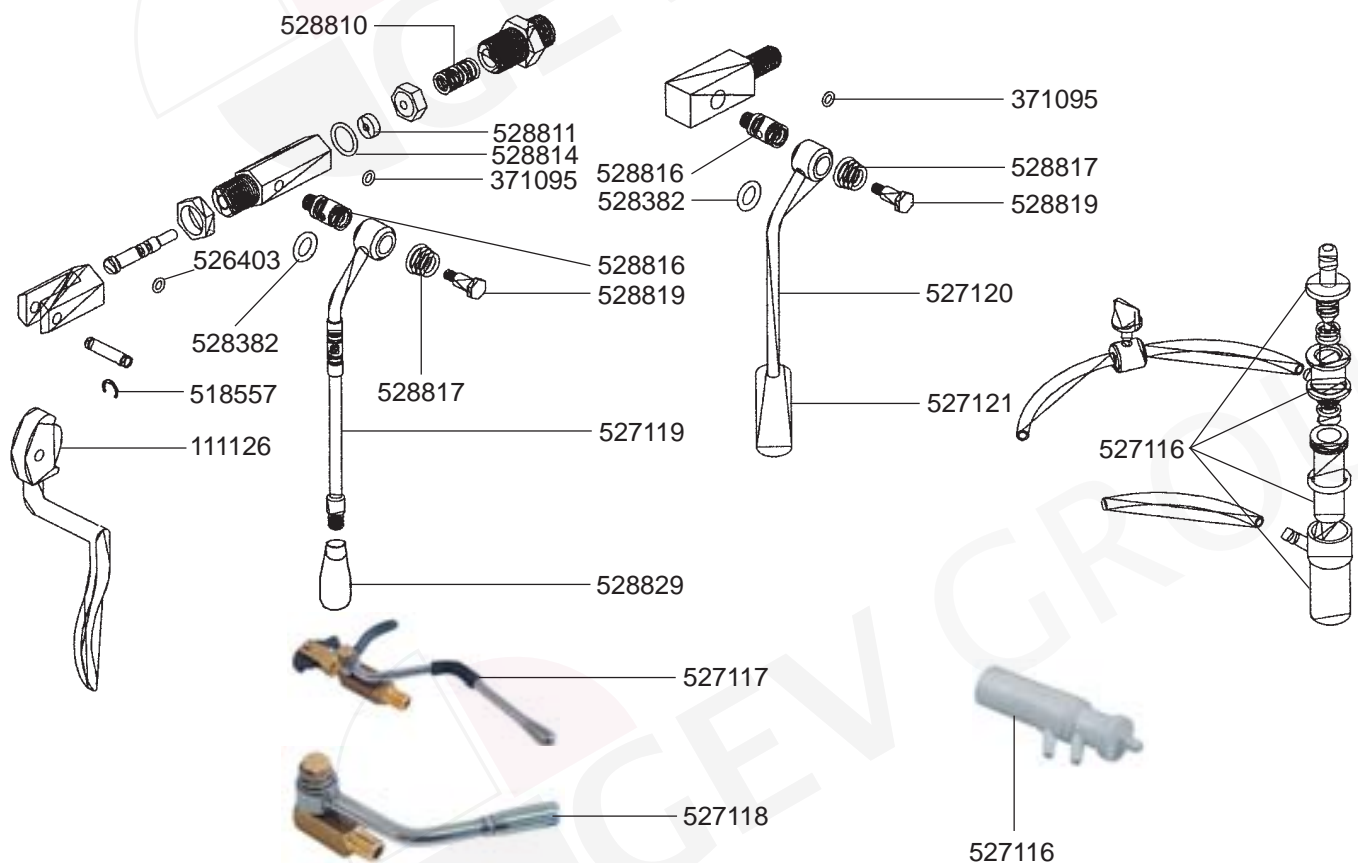
GRINDER COMPONENTS MASTER 1



## HYDRAULIC-ELECTRICAL COMPONENTS MASTER 1



## STEAM/HOT WATER TAPS/MILK FOAMER MASTER 1



## HYDRAULIC GROUP BOILER MASTER 1

