



# assortment cases

# 5

fastening material assortment cases...	108
electric components assortment cases.....	110
gas components assortment cases.....	115
mechanical components assortment cases.....	120

## assortment cases

## fastening material assortment cases

## rivets/riveting nut assortment cases



Blindriete (Aluminium)  
Blind rivets (aluminium)  
Remaches ciegos (aluminio)  
Rivets aveugle (aluminium)  
Rivetti ciechi (alluminio)

100x  $\varnothing$  3,2mm, L 6mm  
100x  $\varnothing$  3,2mm, L 8mm  
100x  $\varnothing$  3,2mm, L 10mm  
100x  $\varnothing$  4,0mm, L 6mm  
100x  $\varnothing$  4,0mm, L 8mm  
100x  $\varnothing$  4,0mm, L 10mm  
50x  $\varnothing$  4,8mm, L 7mm  
50x  $\varnothing$  4,8mm, L 9mm  
50x  $\varnothing$  4,8mm, L 11mm



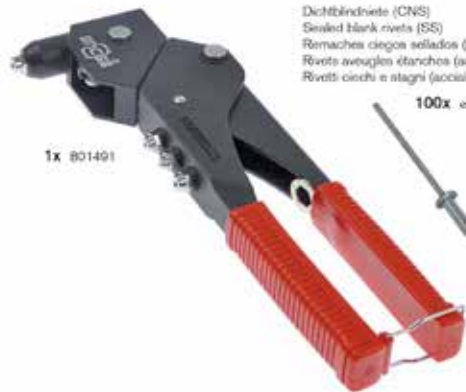
Blindriete (CNS)  
Blind rivets (SS)  
Remaches ciegos (acero inox)  
Rivets aveugle (acier inox)  
Rivetti ciechi (acciaio inox)

100x  $\varnothing$  3,2mm, L 6mm  
100x  $\varnothing$  3,2mm, L 8mm  
100x  $\varnothing$  3,2mm, L 10mm  
50x  $\varnothing$  3,8mm, L 6mm  
50x  $\varnothing$  3,8mm, L 10mm  
50x  $\varnothing$  4,0mm, L 7,5mm  
50x  $\varnothing$  4,8mm, L 9mm  
50x  $\varnothing$  4,8mm, L 10mm



Dichtblindriete (CNS)  
Sealed blank rivets (SS)  
Remaches ciegos sellados (acero inox)  
Rivets aveugles étanches (acier inox)  
Rivetti ciechi e stagni (acciaio inox)

100x  $\varnothing$  3,2mm, L 10mm



1x 801491

1

fig. GEV No. description  
1 403507 assortment case blind rivets with riveting pliers Profi



Blindriete (Aluminium)  
Blind rivets (aluminium)  
Remaches ciegos (aluminio)  
Rivets aveugle (aluminium)  
Rivetti ciechi (alluminio)

100x  $\varnothing$  3,2mm, L 6mm  
100x  $\varnothing$  3,2mm, L 8mm  
100x  $\varnothing$  3,2mm, L 10mm  
100x  $\varnothing$  4,0mm, L 6mm  
100x  $\varnothing$  4,0mm, L 8mm  
100x  $\varnothing$  4,0mm, L 10mm  
50x  $\varnothing$  4,8mm, L 7mm  
50x  $\varnothing$  4,8mm, L 9mm  
50x  $\varnothing$  4,8mm, L 11mm



Blindriete (CNS)  
Blind rivets (SS)  
Remaches ciegos (acero inox)  
Rivets aveugle (acier inox)  
Rivetti ciechi (acciaio inox)

100x  $\varnothing$  3,2mm, L 6mm  
100x  $\varnothing$  3,2mm, L 8mm  
100x  $\varnothing$  3,2mm, L 10mm  
50x  $\varnothing$  3,8mm, L 6mm  
50x  $\varnothing$  3,8mm, L 10mm  
50x  $\varnothing$  4,0mm, L 7,5mm  
50x  $\varnothing$  4,8mm, L 9mm  
50x  $\varnothing$  4,8mm, L 10mm



Dichtblindriete (CNS)  
Sealed blank rivets (SS)  
Remaches ciegos sellados (acero inox)  
Rivets aveugles étanches (acier inox)  
Rivetti ciechi e stagni (acciaio inox)

100x  $\varnothing$  3,2mm, L 10mm



1x 801491

2

fig. GEV No. description  
2 403506 assortment case blind rivets with riveting pliers Standard





<p>(Aluminum) (aluminum) (aluminio) (aluminium) (alluminio)</p>	<p>50x M4 ø 6mm L 8mm</p> <p>50x M5 ø 7mm L 12mm</p> <p>50x M6 ø 9mm L 13,5mm</p>	<p>(CNS) (SS) (acero inox) (acier inox) (acciaio inox)</p>	<p>30x M4 ø 5,9mm L 11,5mm</p> <p>30x M5 ø 6,5mm L 13mm</p> <p>30x M6 ø 8,9mm L 15mm</p>
---	---	--	--



1x 801495

3

fig.	GEV No.	description
3	403508	assortment case riveting nuts sizes M4/M5/M6

hose clamp assortment cases



<p>Bandi (Edelstahl) - Schraube (Messing) Tape (stainless steel) - screw (brass) Cinta (acero inoxidable) - tornillo (latón) Bando (acier inox) - vis (latón) Nastro (acciaio inox) - vite (ottone)</p>	<p><b>W2</b></p> <p>10x ø 8-12mm 10x ø 10-16mm 10x ø 12-20mm 10x ø 16-27mm 10x ø 20-32mm 10x ø 25-40mm 5x ø 32-50mm 5x ø 50-70mm 5x ø 60-80mm</p>
---	---



<p>Band (Edelstahl) - Schraube (Edelstahl) Tape (stainless steel) - screw (stainless steel) Cinta (acero inoxidable) - tornillo (acero inoxidable) Bando (acier inox) - vis (acier inox) Nastro (acciaio inox) - vite (acciaio inox)</p>	<p><b>W4</b></p> <p>5x ø 12-20mm 5x ø 40-60mm</p>	<p><b>W4</b></p> <p>1x 3m</p>
--	---	-------------------------------



1

fig.	GEV No.	description
1	402955	assortment case hose clamps



W4  
 Band (Edelstahl)  
 Tapa (stainless steel)  
 Cintas (acero inoxidable)  
 Bande (acier inox)  
 Nastro (acciaio inox)



- 20x W4**  
 ø 6,0-7,0mm  
 ø 7,0-8,7mm  
 ø 7,8-9,5mm  
 ø 8,8-10,5mm  
 ø 9,6-11,3mm  
 ø 9,8-12,3mm  
 ø 10,8-13,3mm  
 ø 11,3-13,8mm  
 ø 12,0-14,5mm  
 ø 13,2-15,7mm  
 ø 14,5-17,0mm  
 ø 15,3-18,5mm  
 ø 16,6-19,8mm  
 ø 17,8-21,0mm



2

fig.	GEV No.	description
2	403242	assortment case one ear clamps

electric components assortment cases

wire end ferrule assortment cases



1

fig.	GEV No.	description
1	402963	assortment case wire end ferrules



terminal assortment cases



1  
**fig. GEV No. description**  
 1 402851 assortment case insulated terminals



2  
**fig. GEV No. description**  
 2 402865 assortment case uninsulated terminals and porcelain clamp



indicator lights assortment cases



1

fig. GEV No. description

1 402919 assortment case indicator lights size 6-16mm



2

fig. GEV No. description

2 402820 assortment case indicator lights size 9-13mm



## fine fuse assortment cases



1

2

fig.	GEV No.	description
1	401030	ø5x20mm - fast-acting - 250V - 120 pieces 10x 100mA, 160mA, 250mA, 500mA, 630mA, 800mA, 1A, 1.6A, 2A, 2.5A, 4A, 6.3A each
1	401032	ø5x20mm - medium lag - 250V - 120 pieces 10x 100mA, 160mA, 250mA, 500mA, 630mA, 800mA, 1A, 1.6A, 2.5A, 4A, 6.3A, 10A each
1	401034	ø5x20mm - slow-acting - 250V - 120 pieces 10x 100mA, 160mA, 250mA, 500mA, 630mA, 800mA, 1A, 1.6A, 2.5A, 4A, 6.3A, 10A each
1	401036	ø5x30mm - fast-acting - 250V - 120 pieces 10x 315mA, 500mA, 800mA, 1A, 1.25A, 1.6A, 2A, 2.5A, 3.15A, 4A, 6.3A, 10A each
1	401037	ø5x30mm - medium lag - 250V - 120 pieces 10x 315mA, 500mA, 800mA, 1A, 1.25A, 1.6A, 2A, 2.5A, 3.15A, 4A, 6.3A, 10A each
1	401038	ø6.3x32mm - fast-acting - 250V - 120 pieces 10x 315mA, 500mA, 800mA, 1A, 1.25A, 1.6A, 2A, 2.5A, 3.15A, 4A, 5A, 6.3A each
1	401039	ø6.3x32mm - medium lag - 250V - 120 pieces 10x 315mA, 500mA, 800mA, 1A, 1.25A, 1.6A, 2A, 2.5A, 3.15A, 4A, 5A, 6.3A each
1	401040	ø6.3x32mm - slow-acting - 250V - 120 pieces 10x 315mA, 500mA, 800mA, 1A, 1.25A, 1.6A, 2A, 2.5A, 3.15A, 4A, 5A, 6.3A each
2	401031	ø5x20mm - fast-acting - 250V - 360 pieces 20x 100mA, 125mA, 160mA, 200mA, 250mA, 315mA, 400mA, 500mA, 630mA, 0.8A, 1.0A, 1.25A, 1.6A, 2A, 2.5A, 3.15A, 4A, 6.3A each
2	401033	ø5x20mm - medium lag - 250V - 360 pieces 20x 100mA, 125mA, 160mA, 200mA, 250mA, 315mA, 400mA, 500mA, 630mA, 0.8A, 1.0A, 1.25A, 1.6A, 2A, 2.5A, 3.15A, 4A, 6.3A each
2	401035	ø5x20mm - slow-acting - 250V - 360 pieces 20x 100mA, 125mA, 160mA, 200mA, 250mA, 315mA, 400mA, 500mA, 630mA, 0.8A, 1.0A, 1.25A, 1.6A, 2A, 2.5A, 3.15A, 4A, 6.3A each





thermostat accessory assortment cases



fig.	GEV No.	description
1	402975	assortment case thermostat accessories

heating element accessory assortment cases



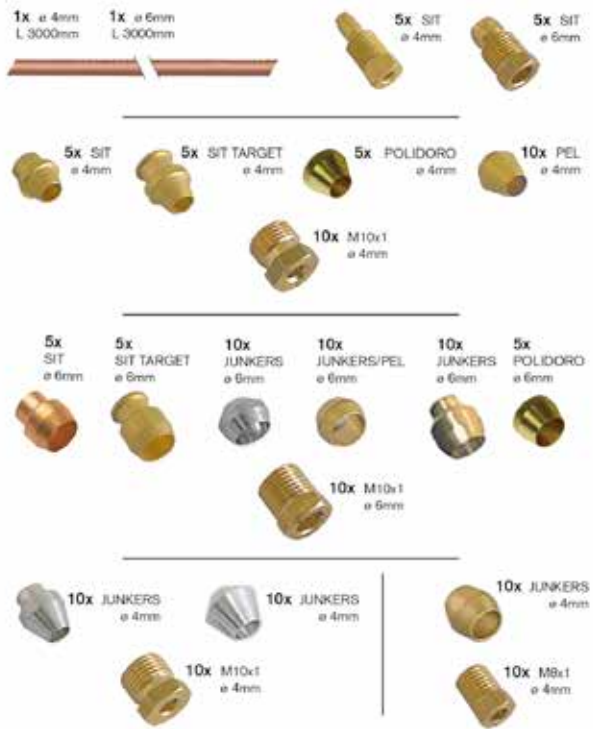
fig.	GEV No.	description
1	403584	assortment case heating element accessories





gas components assortment cases

gas nozzles and ignition line assortment cases



1

fig. GEV No. description

1 402828 assortment case pilot tubes 2x pilot tube 3000mm  $\varnothing$ 4/6mm

magnetic units assortment cases



1

fig. GEV No. description

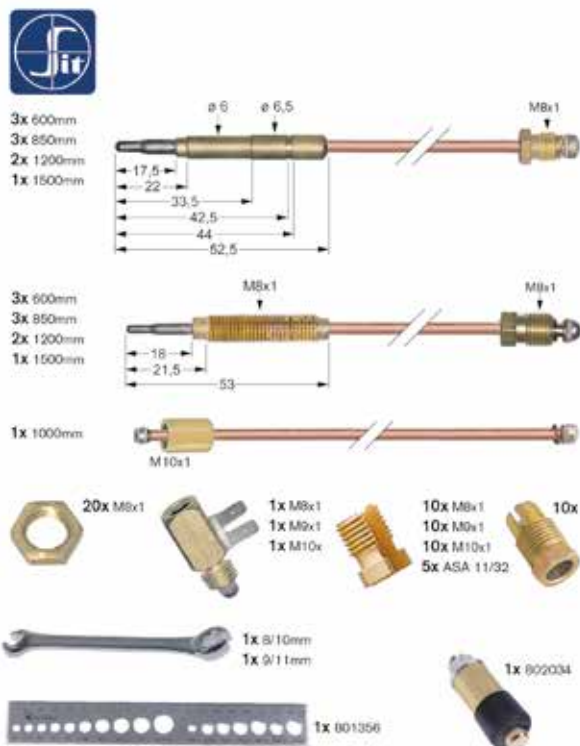
1 402816 assortment case magnet units



thermocouple assortment cases



1  
fig. GEV No. description  
1 402937 assortment case thermocouple flexible



2  
fig. GEV No. description  
2 403500 assortment case thermocouple SIT



3

fig.	GEV No.	description
3	402817	assortment case thermocouple standard

pilot burner assortment cases



1

fig.	GEV No.	description
1	402821	assortment case pilot burner countries Germany



2

fig.	GEV No.	description
2	403501	assortment case pilot burner SIT series 100

3

fig.	GEV No.	description
3	403502	assortment case pilot burner SIT series 140/150



ignition technology assortment

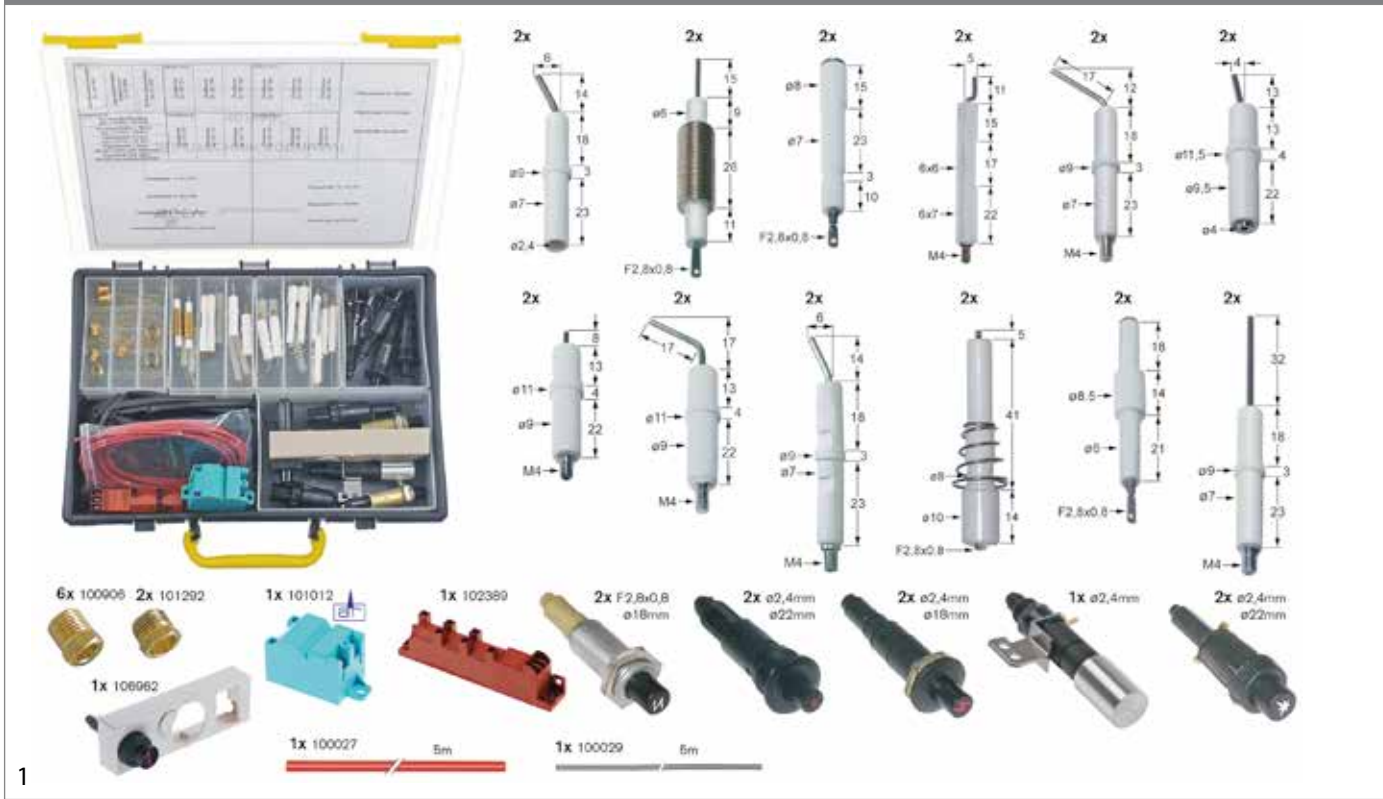


fig.	GEV No.	description
1	401050	assortment case gas ignition components



fig.	GEV No.	description
2	402917	assortment case gas ignition components



## mechanical components assortment cases

## control knob assortment cases



1

fig.	GEV No.	description
1	401078	assortment case 20 knobs, 31 adaptors, 81 symbols



2

fig.	GEV No.	description
2	401079	assortment case 39 knobs, 60 adaptors, 136 symbols





3

fig.	GEV No.	description
3	401080	assortment case 14 knobs, 31 adaptors, 93 symbols



4

fig.	GEV No.	description
4	401081	assortment case 30 knobs, 60 adaptors, 160 symbols



5

fig.	GEV No.	description
5	401082	assortment case 14 knobs, 31 adaptors, 83 symbols



6

fig.	GEV No.	description
6	401083	assortment case 27 knobs, 60 adaptors, 140 symbols



7

fig.	GEV No.	description
7	401076	assortment case 20 knobs, 31 adaptors, 81 symbols



8

fig.	GEV No.	description
8	401077	assortment case 39 knobs, 60 adaptors, 136 symbols





## O-ring assortment cases

## service kits



t=2,00

Ø (mm)  
16x 3,00  
16x 4,00  
16x 5,00  
16x 6,00  
16x 7,00  
16x 8,00  
16x 10,00

t=2,50

Ø (mm)  
13x 10,00  
13x 11,00  
13x 12,00  
13x 14,00  
13x 16,00  
13x 17,00  
13x 19,00

t=3,00

Ø (mm)  
12x 19,00  
12x 20,00  
12x 22,00  
12x 24,00  
12x 25,00  
12x 27,00  
12x 28,00  
12x 30,00  
12x 32,00  
12x 33,00  
12x 35,00  
12x 36,00  
12x 38,00

t=4,00

Ø (mm)  
9x 38,00  
9x 41,00  
9x 44,00



1

fig.	GEV No.	description
1	403580	assortment case EPDM incl. service box
1	403581	assortment case silicone incl. service box

fig.	GEV No.	description
1	403582	assortment case Viton incl. service box



t=1,78

Ø (mm)  
20x 2,90  
20x 4,48  
20x 6,07  
20x 7,66  
20x 9,25  
20x 12,42

t=2,62

Ø (mm)  
13x 9,19  
13x 10,78  
13x 12,37  
13x 13,95  
13x 15,54  
13x 17,13  
13x 18,72  
13x 20,29  
13x 21,89

t=3,53

Ø (mm)  
10x 18,64  
10x 20,22  
10x 21,82  
10x 23,40  
10x 24,99  
10x 26,58  
10x 28,17  
10x 29,75  
10x 31,34  
10x 32,92  
10x 34,52  
10x 36,10  
10x 37,69  
10x 40,87  
10x 44,04  
10x 47,22  
10x 50,40



2

fig.	GEV No.	description
2	401015	assortment case 407-piece EPDM incl. service box
2	403086	assortment case 407-piece silicone incl. service box

fig.	GEV No.	description
2	402912	assortment case 407-piece Viton incl. service box



adhesive sets



pos.	GEV No.	description
1	401026 <sup>1</sup>	assortment case O-ring glue set sizes ø1.5/2.0/2.5/3.0/3.5/4.0/5.0/8.4 9x1m EPDM
2	401025 <sup>1</sup>	assortment case O-ring glue set sizes ø1.78/2.62/3.53/5.33/6.99 5x1m EPDM

<sup>1</sup>adhesive and master form inclusive



**GEV CATALOGUES**  
The complete range always by your side

