

Cámara presostática / Interruptores	Air Traps / Switches	358
Pilotos / Interruptores magnéticos / Microinterruptores / Presostatos	Signal lamps / magnetic switches / Pressure switches	359
Presostatos / Programadores / Termotatos	Pressure switches / Timers / Thermostats	360
Termostatos	Thermostats	361
Relés / Electroválvulas / Dosificadores abrillantador	Relays / Solenoids / Rinse aid dosimeter	362
Resistencias / Bombas	Heating elements / Pumps	363
Bombas	Pumps	364
Bomba (recambios)	Pumps (components)	365

Cámara presostática / Interruptores ■ Air traps / Switches



LAP.1



LAP.2



LAP.5



LAP.6



LAP.7

Código Code	Descripción Description	Modelo Model	Código original Original code
LAP.1	Cámara presostática Air trap	L40, L40S, L60, L80, L100	33D0360
LAP.2	Válvula anti-retorno Back flow restrictor	LF50, LC80, LC100, LC130	33D2330

Código Code	Descripción Description	Modelo Model	Código original Original code
LAP.5	Interruptor 1 polo Switch, 1-pole	LF50	32V2030
LAP.6	Interruptor 2 polo Switch, 2-pole		32V2070
LAP.7	Pulsador 1 polo Pushbutton, 1-pole		32V2050

Interruptores Switches



LAP.3



LAP.4



LAP.8



LAP.9

Código Code	Descripción Description	Modelo Model	Código original Original code
LAP.3	Interruptor general Main switch	L40, L40S, L45, L60, F60P, F60T, F80P	32W0970
LAP.4	Interruptor programación Program switch		32W0980

Código Code	Descripción Description	Modelo Model	Código original Original code
LAP.8	Interruptor 0-1 Main switch 0 - 1	LC80, LC100, LC130	32Z8670
LAP.9	Interruptor programación Program switch		32W2150

Si no encuentra el componente que busca, llámenos, le ayudaremos.



Tel: 93 377 64 11
Fax: 93 377 98 03
ascaso@ascaso.com



LAP.10

SILA.11

Código Code	Descripción Description	Modelo Model	Código original Original code
LAP.10	Piloto verde 400V 9mm 400V, 9mm, green	LF50, LL80, LC100, LC130	32W2140
SILA.11	Piloto ambar 400V 9mm 400V, 9mm, yellow		32W2130

Interruptores magnéticos Magnetic switches



LAP.12

LAP.13

Código Code	Descripción Description	Modelo Model	Código original Original code
LAP.12	M10 x 0,75 interruptor M10 x 0,75 Switch	LF50	32Z8650
LAP.13	37 x 16 interruptor 37 x 16 switch	LC80, LC100, LC130	32W2160

Interruptor / Microinterruptores Micro switches / Switch



FCL160

LAP.15

ANP229

Código Code	Descripción Description	Modelo Model	Código original Original code
FCL160	Interruptor Switch	L40, L40S, L60	32W1060
LAP.15	Microinterruptor Micro switch	L80, L100 (viejo/ old)	32W1410
ANP229	Microinterruptor Micro switch	L80, L100 (nuevo/ new)	32W3251

Presostatos Pressure switches



LAP.17

LAP.18

LAP.19

Código Code	Descripción Description	Modelo Model	Código original Original code
LAP.17	70/30 presostato 70/30 pressure switch	L40, L40S, L45, L60, F60P, F60PR	32Z4740, 34Z4741
LAP.18	225/70 presostato 225/70 pressure switch	L80, L100	32Z0860
LAP.19	70/40, 90/70 presostato 70/40, 90/70 pressure switch	F60T, F80, F80PR	32Z2840



SIL.39, LAP.21

Código Code	Descripción Description	Modelo Model	Código original Original code
SIL.39	40/20 presostato 40/20 pressure switch	LF50	32Z8930
LAP.21	90/35 presostato 90/35 pressure switch	LC80, LC100, LC130	32V1870

Programadores Timers

LAP.22, LAP.23,
LAP.24, LAP.25

LAP.26

Código Code	Descripción Description	Modelo Model	Código original Original code
LAP.22	Temporizador 5 micros 180/360" 180" / 360", 5 chambers	L40, L40S, L60	32Z2020
LAP.23	Temporizador 5 micros 80/300" 80" / 300", 5 chambers	L45, L80	32Z8110
LAP.24	Temporizador 5 micros 54/180" 54" / 180", 5 chambers	L100	32Z8430
LAP.25	Temporizador 5 micros 75/120/180" 75" / 120" / 180", 5 chambers	LC130	32V1930
LAP.26	Temporizador 60" 60" timer	L80/L100/antiguo old	32Z0780

Termostatos Thermostats



LAP.27

LAP.28

Código Code	Descripción Description	Modelo Model	Código original Original code
LAP.27	Termostato cuba 57°C 57°C fixed thermostat(tank)	L40 - L100 (viejo/ old)	32Z0180
LAP.28	Termostato cuba 69°C 69°C fixed thermostat(tank)	L40 - L100 (nuevo/ new)	32Z2430



LAP.29

Código Code	Descripción Description	Modelo Model	Código original Original code
LAP.29	Termostato calderín 30-90°C 30- 90°C thermostat (boiler)	L40 - L100	32Z0160, 32Z5880

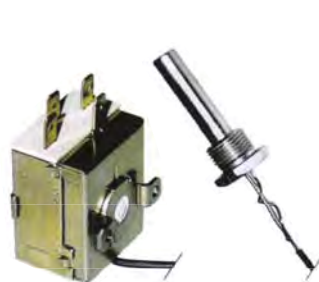


LAP.30



LAP.31

Código Code	Descripción Description	Modelo Model	Código original Original code
LAP.30	Termostato cuba 30-60°C 30 - 60°C thermostat (tank)	F60P, F60PR, F60T F80P, F80PR, L45	32V0100
LAP.31	Termostato calderín 30-90°C 30 - 90°C thermostat (boiler)		32V0200

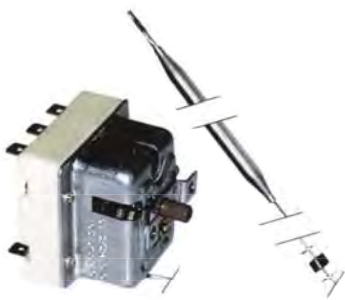


LAP.33



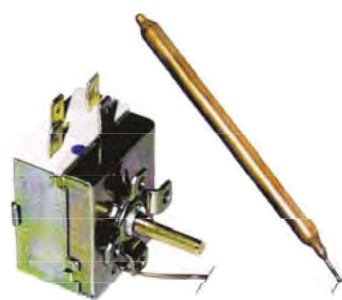
LAP.34

Código Code	Descripción Description	Modelo Model	Código original Original code
LAP.33	Termostato cuba 30-90°C 30 - 90°C thermostat(tank)	LF50	32V2630
LAP.34	Termostato cuba 60°C 60°C fixed thermostat(tank)	LC80, LC100, LC130	32V1920

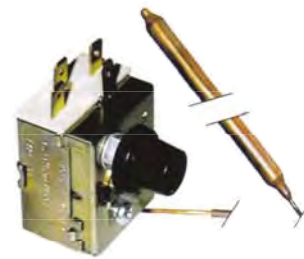


LAP.32

Código Code	Descripción Description	Modelo Model	Código original Original code
LAP.32	Termostato seguridad 140°C 140°C safety thermostat	L40 - L100 (nuevo/ new), F60P, F60PR, F60T, F80P, F80PR, L45	32Z2011



LAP.35



LAP.36

Código Code	Descripción Description	Modelo Model	Código original Original code
LAP.35	Termostato calderín 30-90°C 30 - 90°C thermostat(boiler)	LF50, LC80, LC100, LC130	32V1910
LAP.36	Termostato seguridad 90 - 110°C 90 - 110°C safety thermostat		32Z8830

Relés / Electroválvulas / Dosificadores abrillantador ■ Relays / Solenoids / Rinse aid dosimeters



LAP.37



LAP.38

Código Code	Descripción Description	Modelo Model	Código original Original code
LAP.37	Relé 230V AC 2 changer, 230V AC	Universal	32V2950
LAP.38	Relé 230V AC 3 changer, 230V AC		32V2940



LAP.41

Código Code	Descripción Description	Modelo Model	Código original Original code
LAP.41	Electroválvula 1/2" 1/2", 230V AC Electrovalve	L80, L100 (viejo/ old)	33D0070, 33D1460

Electroválvulas
Solenoids



V.132



V.133

Código Code	Descripción Description	Modelo Model	Código original Original code
V.132	Electroválvula 1 vía 1-fold, 230V Electrovalve	Universal	33D1371, 33D1370, 33D2310
V.133	Electroválvula 2 vías 2-fold, 230V Electrovalve		33D1641

Dosificadores abrillantador
Rinse aid dosimeters



LAV315



FA.265

Código Code	Descripción Description	Modelo Model	Código original Original code
LAV315	Dosificador abrillantador Dosing pump	L40, L40S, L45, L60, F60P, F60T, F80P	33D0060, 33D0061
FA.265	Dosificador abrillantador Dosing pump		33D2310



Código Code	Descripción Description	Modelo Model	Código original Original code
LAP.42	2400W, 230V resistencia 2400W, 230V resistance	L40	32G0790, 32G0390
LAP.43	4200W, 230V resistencia 4200W, 230V resistance	L40S, L60, L80, L100	32G0230, 32G0380
LAP.44	6000W, 3 x 230V resistencia 6000W, 3 x 230V resistance	L60, L80, L100, L45, F60P, F60PR, F60T, F80P, F80PR	32G0400, 32G0420, 32G0920, 32G0520
LAP.45	Junta Gasket	—	3150430



Código Code	Descripción Description	Modelo Model	Código original Original code
LAP.48	4500W, 3 x 230V resistencia 4500W, 3 x 230V resistance	LF50	32G2140
LAP.49	6000W, 3 x 230V resistencia 6000W, 3 x 230V resistance	LC80, LC100	32G2580, 32G2180
LAP.50	9000W, 3 x 230V resistencia 9000W, 3 x 230V resistance	LC130	32G2720
LAP.51	Junta Gasket	—	3152160

Bombas Pumps



Código Code	Descripción Description	Modelo Model	Código original Original code
LAP.46	2000W, 230V resistencia 2000W, 230V resistance	L45, F60P, F60PR, F60T, F80P, F80PR	32G2070
LAP.47	2000W, 230V resistencia 2000W, 230V resistance	LF50, LC80, LC130	32G2590



Código Code	Descripción Description	Modelo Model	Código original Original code
LAP.52	Motor 0,75PS, 230V 0,75PS, 230V pump	L40, L40S	32M2140
LAP.53	Motor 0,60PS, 230V 0,60PS, 230V pump	LF50	32M5770



Código Code	Descripción Description	Modelo Model	Código original Original code
LAP.54	Motor 0,75PS, 230V 0,75PS, 230V pump	L45, F60P, F60PR, F60T, F80P, F80PR	32M4760
LAP.55	Motor 0,21kW, 230V 0,21kW, 230V pump	F60PR, F60T, F80P, F80PR	32M2920



Código Code	Descripción Description	Modelo Model	Código original Original code
LAP.58	Motor 0,75kW, 400V 0,75kW, 400V pump	L60	32M2220
LAP.59	Motor 1,5kW, 400V 1,5kW, 400V pump	L80	32M0020



Código Code	Descripción Description	Modelo Model	Código original Original code
LAP.56	Motor 0,9kW, 230V 0,9kW, 230V pump	LC80	32M1680
LAP.57	Motor 1,1kW, 400V 1,1kW, 400V pump	LC100, LC130	32M5740



Código Code	Descripción Description	Modelo Model	Código original Original code
LAP.60	Motor 1,1kW, 400V 1,1kW, 400V pump	—	32M3660
LAP.61	Motor 2kW, 400V 2kW, 400V pump	L100	32M1480

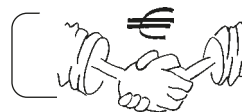
Ver componentes motores en página siguiente.
Motor components in the next page



Bombas Pumps		1 turbina Impellor		2 retén Axial face seal		3 junta Pump cover		4 tapa Pump cover		5 condensador Condenser	
Código Code	Código original Original code	Código Code	Código original Original code	Código Code	Código original Original code	Código Code	Código original Original code	Código Code	Código original Original code	Código Code	Código original Original code
ALP.54	32M4760	LAP.62	36G9930	MAC303	3152680	LAP.76		LAP.81	36H1320		
ALP.52	32M2140	LAP.63	32G0260	LAP.72		LAP.77		LAP.82		WIN207	
ALP.60	32M3660	LAP.64		WIN192		LAP.78		LAP.83	36D8510		
ALP.58	32M2220	LAP.65		WIN192		LAP.78		LAP.84			
ALP.55	32M2920	LAP.66	36G9660	MAC300		HB.131		LAP.85	36H1080	HB.141	
ALP.53	32M5770	LAP.67		MAC303	3152680	LAP.76		LAP.81	36H1320	LASA24	
ALP.59	32M0020	LAP.68		WIN192		LAP.78		LAP.86			
ALP.61	32M1480	LAP.69		WIN192		LAP.78		LAP.86			
ALP.56	32M1680	LAP.70		LAP.75		LAP.80		LAP.87		LZ.529	

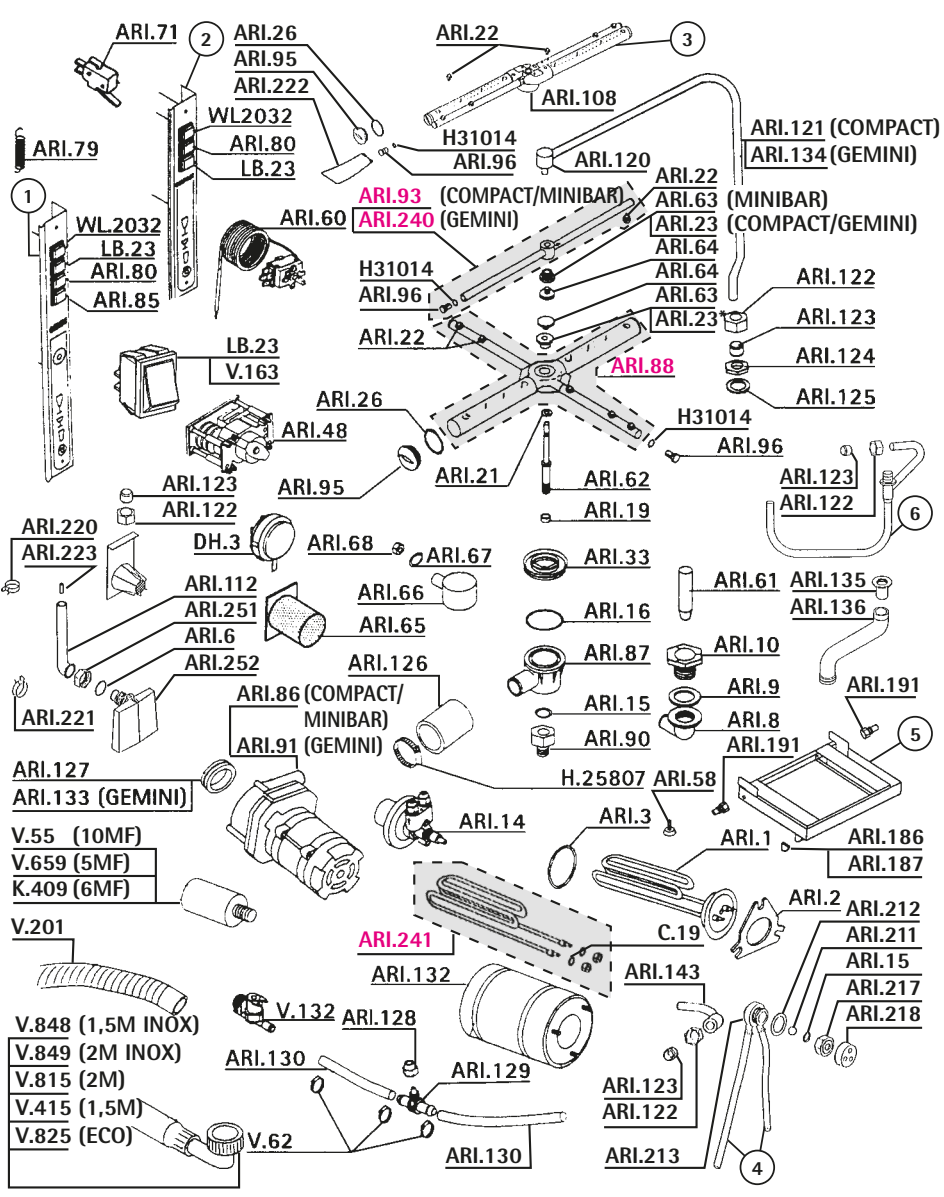
Índice ARISTARCO index

Compact-20 / Minibar / Gemini	Compact-20 / Minibar / Gemini	367
Program-25 CF	Program-25 CF	368
Master-21	Master-21	369
Project-28 / Self GL-5 / GL-7	Project-28 / Self GL-5 / GL-7	370
GL 4.32 E-EM / S-420 E-EM (1)	GL 4.32 E-EM / S-420 E-EM	371
GL 4.32 E-EM / S-420 E-EM (1)	GL 4.32 E-EM / S-420 E-EM	372
Carrocería Passport	Passport Bodywork	373
Carrocería AP	AP Bodywork	374
Lavado / Aclarado Passport 35.21	Passport 35.21 Wash / Rinse	375
Lavado / Aclarado Passport 38.25 / 40.28	Passport 38.25 / 40.28 Wash / Rinse	376
Lavado / Aclarado Passport 40.30 / 50.32	Passport 40.30 / 50.32 Wash / Rinse	377
Lavado / Aclarado AP 50.35 / 55.40	AP 50.35 / 55.40 Wash / Rinse	378
GL1040 / GL 1240 (1)	GL1040 / GL 1240 (1)	379
GL1040 / GL 1240 (2)	GL1040 / GL 1240 (2)	380
AL 40.28E, AL 45.32 E, AL 50.34 E, AL 50.40 E, AL 55.45 E + EP	AL 40.28E, AL 45.32 E, AL 50.34 E, AL 50.40 E, AL 55.45 E + EP	381
AP 1000	AP1000	382
AL 1200 E, AL 1500 E	AL 1200 E, AL 1500 E	383
Cestos	Baskets	384

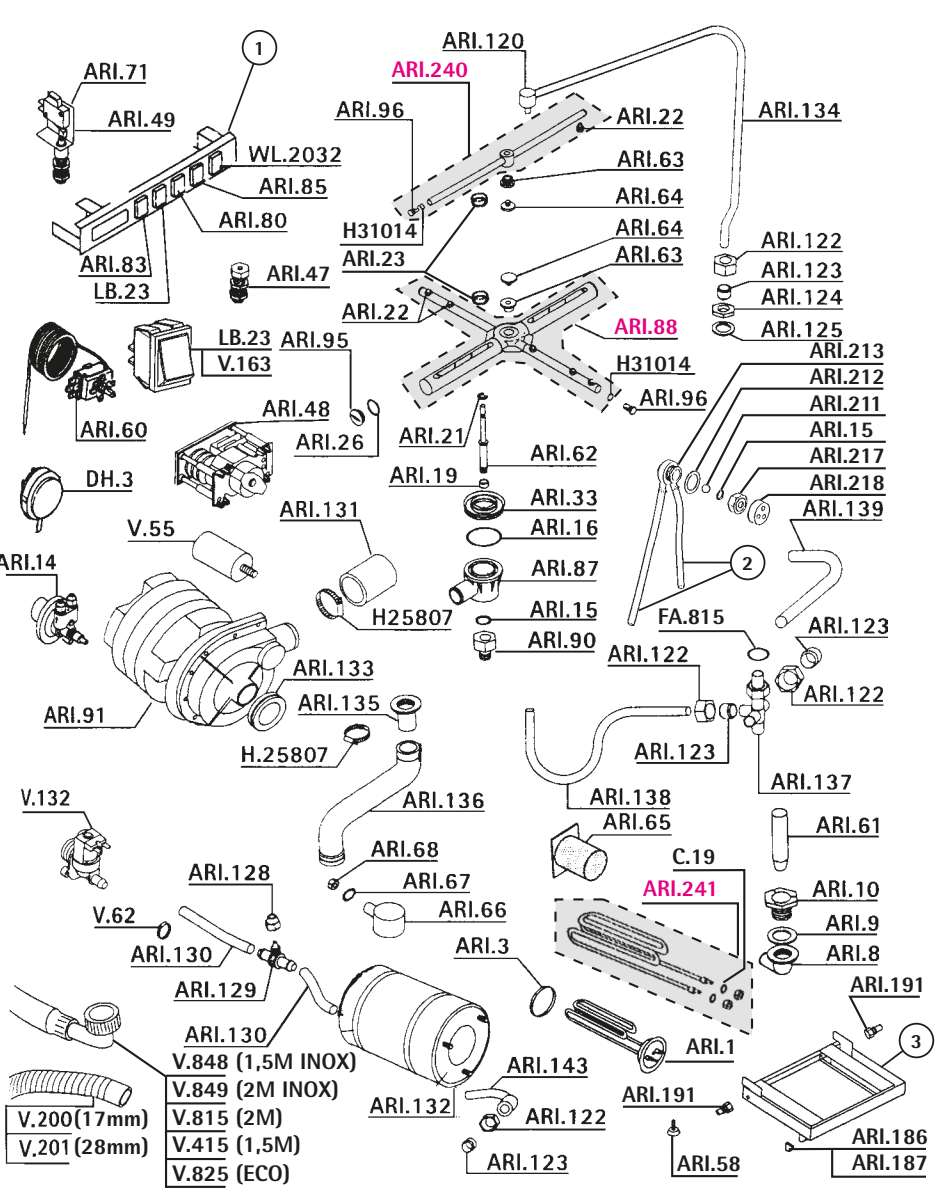


Ahorre tiempo y dinero.
 Pida el recambio a **ASCASO**.

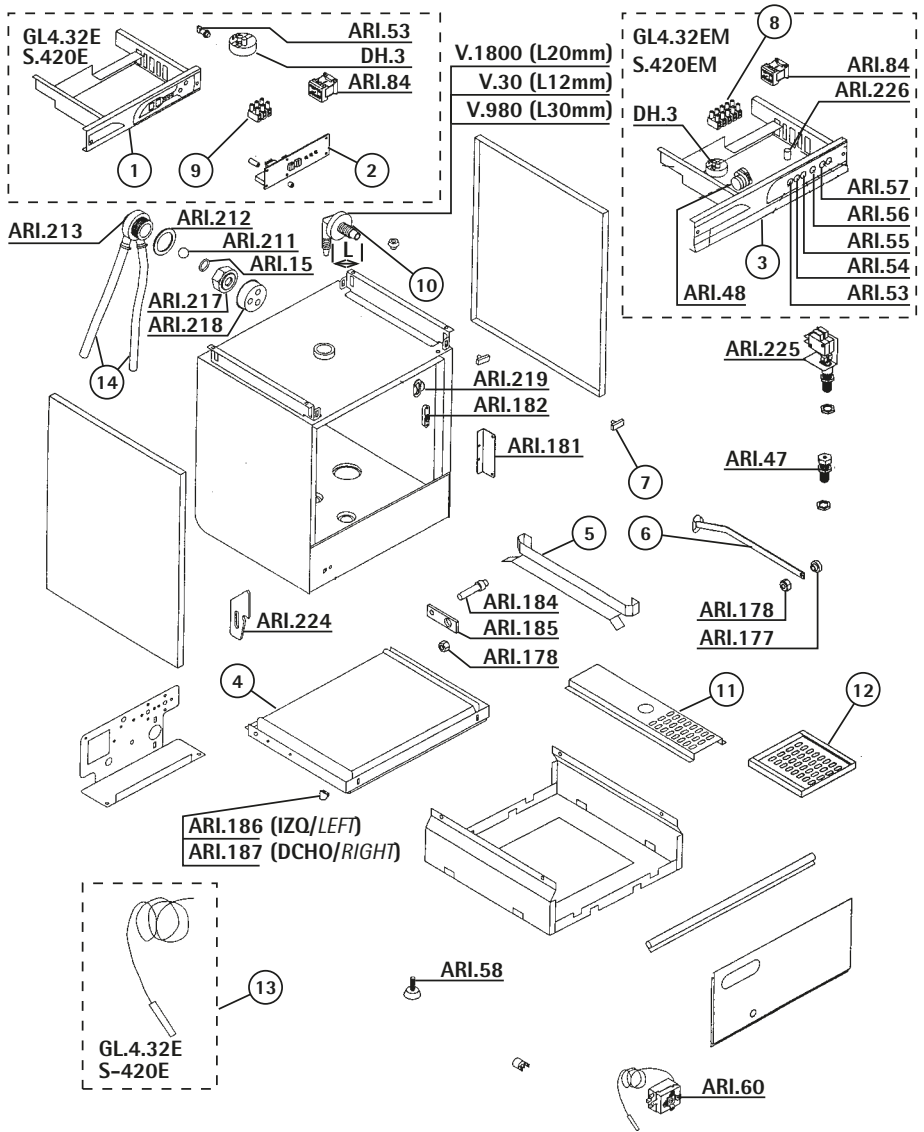
REF.	DESCRIPCIÓN	DESCRIPTION
ARI.1	RESISTENC.CALDERIN 2000W	2000W 230V BOILER RESISTANCE
ARI.2	TORICA RESISTENCIA GOMA	RESISTANCE RUBBER RING
ARI.3	CORDO REPOSADERO	OVERFLOW ELBOW
ARI.8	JUNTA GOMA	RUBBER GASKET
ARI.9	RACOR PLASTICO DESAGÜE	DRAIN FITTING
ARI.10	DOSIFICADOR ABRILLANTADOR	RINSE AID DOSIMETER
ARI.14	TORICA GOMA	RUBBER RING
ARI.15	TORICA GOMA	RUBBER RING
ARI.16	TORICA GOMA	RUBBER RING
ARI.19	DISTANCIAL INOX	INOX DISTACER
ARI.21	ARANDELA GRAFITADA	WASHER
ARI.22	DIFUSOR ACLARADO INOX	INOX CLEAR DIFFUSER
ARI.23	ANILLO PLASTICO	RING
ARI.26	TORICA GOMA	RUBBER RING
ARI.33	ARANDELA ASTA LAV/ACLAR.	WASH-RINSE TREE WASHER
ARI.48	PROGRAMADOR 3 MICROS 120S	3 TOOTH 120S TIMER
ARI.58	PATA	FOOT
ARI.60	TERMOSTATO 90°	90° THERMOSTAT
ARI.61	SOBRENIVEL	OVERFLOW
ARI.62	EJE CRUCETA	CROSSHEAD ROD
ARI.63	CASQUILLO	CAP
ARI.64	TORNILLO FIJACION	FIXING SCREW
ARI.65	FILTRO	FILTER
ARI.66	CAMPANA PRESOSTATICA	PRESSURE SWITCH BELL
ARI.67	JUNTA CAMPANA ALIMENTARIA	BELL ALIMENTARY GASKET
ARI.68	TUERCA	NUT
ARI.71	MICRO 250V 12A	250V 12A MICROSWITCH
ARI.79	MUELLE PUERTA	DOOR SPRING
ARI.80	PILOTO AZUL	BLUE WARNING LAMP
ARI.85	INTERRUPTOR NEGRO 6FAXTON	6 FAXTON BLACK SWITCH
ARI.86	MOTOR 0.10HP	0.10 HP MOTOR
ARI.87	RACOR CENTRAL	CENTRAL FITTING
ARI.88	ASPA LAVADO	WASHER REEL
ARI.90	RACOR TIRANTE	DRAWER FITTING
ARI.91	MOTOR 0.25 HP	0.25 HP MOTOR
ARI.93	GIRATORIO ACLARADO	RINSE GYRATORY
ARI.95	TAPON GIRATORIO ACLARADO	WASHING ARM CAP
ARI.96	TAPON GIRATORIO ACLARADO	CLEAR REVOLVING ARM CAP
ARI.108	DISTRIBUIDOR	DISTRIBUTOR
ARI.112	RACOR ANTICONDENSACION	FITTING
ARI.120	RACOR	FITTING
ARI.121	TUBO ALIMENTACION	RINSE PIPE
ARI.122	TUERCA FIJACION	FIXING NUT
ARI.123	OVIVA TEFLON	TEFLON OGIVE
ARI.124	TUERCA	NUT
ARI.125	JUNTA KLINGERIT	KLINGERIT GASKET
ARI.126	MANGUITO	SLEEVE
ARI.127	MANGUITO ASPIRACION	SUCTION SLEEVE
ARI.128	TUERCA PLASTICO	NUT
ARI.129	TOMA PRESION	PRESSURE INTAKE
ARI.130	TUBO GOMA 12x17	12x17 mm.PIP
ARI.132	CALDERIN	BOILER
ARI.133	MANGUITO ASPIRACION	SUCTION SLEEVE
ARI.134	TUBO ALIMENTACION	RINSE PIPE
ARI.135	PILETA DESAGÜE	DRAIN TRAY
ARI.136	MANGUITO	SLEEVE
ARI.143	TUBO CALDERIN	BOILER PIPE
ARI.186	TOPE IZQUIERDO	LEFT STOP
ARI.187	TOPE DERECHO	RIGHT STOP
ARI.191	TORNILLO INOX PUERTA	DOOR INOX SCREW
ARI.211	ESFERA PLASTICO	SPHERE
ARI.212	JUNTA GOMA	RUBBER GASKET
ARI.217	TUERCA VALVULA	VALVE NUT
ARI.218	TAPA	LID
ARI.220	ABRAZADERA	CLAMP
ARI.221	ABRAZADERA	CLAMP
ARI.222	MUELLE	SPRING
ARI.223	TUBO	PIPE
ARI.240	GIRATORIO ACLARADO	RINSE GYRATORY
ARI.241	RESISTENCIA CALDER.2000W 230V	2000W 230V BOILER RESISTANCE
ARI.251	TUERCA CAMARA PRESOSTATICA	NUT
ARI.252	CAMARA PRESOSTATICA	PRESSURE SWITCH
ARI.253	JUNTA ALIMENTARIA	ALIMENTARY GASKET
DH...3	PRESOSTATO SAL	55/30 HORIZ.PRESS.SWITCH
H25807	ABRAZADERA 25-40	25-40 CLAMP
H31014	TORICA CIERRE	RUBBER RING
K.409	CONDENSADOR 6MF	220V 6MF CONDENSER
LB.23	INTERRUPTOR 4FAXTON VERDE	GREEN 4 FAXTON SWITCH
V.55	CONDENSADOR 10 MF 220V	220V 10MF CONDENSER
V.62	ABRAZADERA 12-20	12-20 CLAMP
V.132	ELECTROVALV 1 VIA LAV.220V	WASH 1 WAY 220V SOLENOID
V.200	TUBO DESAGUE 17mm 1.8mt	17mm. 1.8mt OUTLET PIPE
V.201	TUBO DESAGUE 28mm	28mm OUTLET PIPE
V.415	TOMA LAVADORA 1.5M	QUALITY 1.5M INLET W.FLEX
V.659	CONDENSADOR 5 MF 220V	220V 5MF CONDENSER
V.815	TOMA LAVADORA 2 METROS	2 MT INLET WATER FLEXIBLE
V.825	TOMA LAVADORA 1.5 "ECO"	"ECO" 1.5M INLET WATER FLE.
V.848	TOMA LAVADORA 1.5M INOX	INOX 1.5M INLET WATER FL.
V.849	TOMA LAV.INOX 2MT.3/4X3/4	INOX 2MT.INLET WATER FLE.
WL2032	PULSADOR AMBAR 4FAXTON	4 FAXTON YELLOW PBUTTON



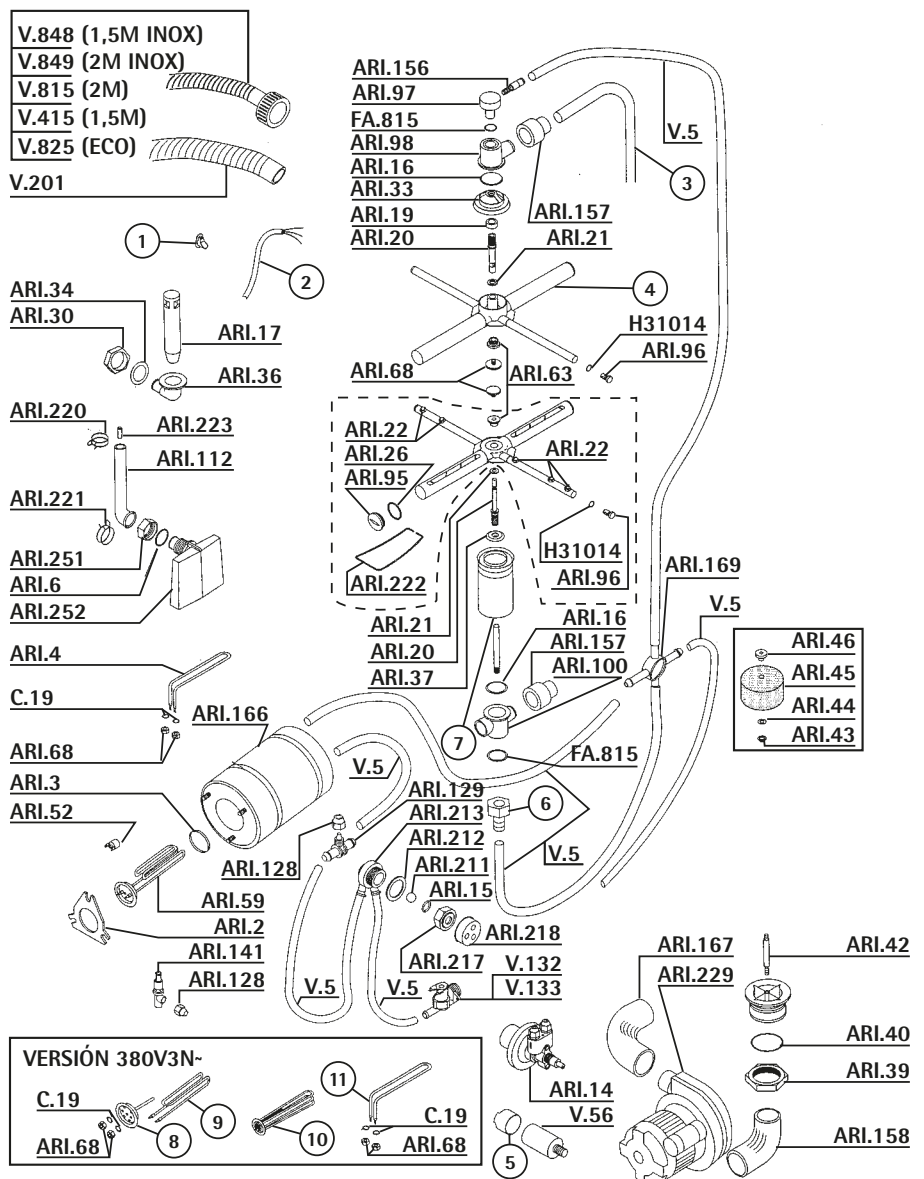
REF.	DESCRIPCIÓN	DESCRIPTION
ARI.1	RESISTENC.CALDERIN 2000W	2000W 230V BOILER RESISTANCE
ARI.3	TORICA RESISTENCIA GOMA	RESISTANCE RUBBER RING
ARI.8	CORDO REPOSADERO	OVERFLOW ELBOW
ARI.9	JUNTA GOMA	RUBBER GASKET
ARI.10	RACOR PLASTICO DESAGÜE	DRAIN FITTING
ARI.14	DOSIFICADOR ABRILLANTADOR	RINSE AID DOSIMETER
ARI.15	TORICA GOMA	RUBBER RING
ARI.16	TORICA GOMA	RUBBER RING
ARI.19	DISTANCIAL INOX	INOX DISTACER
ARI.21	ARANDELA GRAFITADA	WASHER
ARI.22	DIFUSOR ACLARADO INOX	INOX CLEAR DIFFUSER
ARI.23	ANILLO PLASTICO	RING
ARI.26	TORICA GOMA	RUBBER RING
ARI.33	ARANDELA ASTA LAV/ACLAR.	WASH-RINSE TREE WASHER
ARI.47	CIERRE PUERTA	CLOSING DOOR
ARI.48	PROGRAMADOR 3 MICROS 120S	3 TOOTH 120S TIMER
ARI.49	MICRO PASSPORT 250V 6A	250V 6A PASSPORT MICRO
ARI.58	PATA	FOOT
ARI.60	TERMOSTATO 90°	90° THERMOSTAT
ARI.61	SOBRENIVEL	OVERFLOW
ARI.62	EJE CRUCETA	CROSSHEAD ROD
ARI.63	CASQUILLO	CAP
ARI.64	TORNILLO FIJACION	FIXING SCREW
ARI.65	FILTRO	FILTER
ARI.66	CAMPANA PRESOSTATICA	PRESSURE SWITCH BELL
ARI.67	JUNTA CAMPANA ALIMENTARIA	BELL ALIMENTARY GASKET
ARI.68	TUERCA	NUT
ARI.71	MICRO 250V 12A	250V 12A MICROSWITCH
ARI.79	MUELLE PUERTA	DOOR SPRING
ARI.80	PILOTO AZUL	BLUE WARNING LAMP
ARI.83	PULSADOR BLANCO 6 FAXTON	6 FAXTON WHITE SWITCH
ARI.85	INTERRUPTOR NEGRO 6FAXTON	6 FAXTON BLACK SWITCH
ARI.86	RACOR CENTRAL	CENTRAL FITTING
ARI.88	ASPA LAVADO	WASHER REEL
ARI.90	RACOR TIRANTE	DRAWER FITTING
ARI.91	MOTOR 0.25 HP	0.25 HP MOTOR
ARI.95	TAPON ASTA LAVADO	WASHING ARM CAP
ARI.96	TAPON GIRATORIO ACLARADO	CLEAR REVOLVING ARM CAP
ARI.120	RACOR	FITTING
ARI.122	TUERCA FIJACION	FIXING NUT
ARI.123	OVIVA TEFLON	TEFLON OGIVE
ARI.124	TUERCA	NUT
ARI.125	JUNTA KLINGERIT	KLINGERIT GASKET
ARI.126	MANGUITO	SLEEVE
ARI.127	MANGUITO ASPIRACION	SUCTION SLEEVE
ARI.128	TUERCA PLASTICO	NUT
ARI.129	TOMA PRESION	PRESSURE INTAKE
ARI.130	TUBO GOMA 12x17	12x17 mm.PIP
ARI.132	CALDERIN	BOILER
ARI.133	MANGUITO ASPIRACION	SUCTION SLEEVE
ARI.134	TUBO ALIMENTACION	RINSE PIPE
ARI.135	PILETA DESAGÜE	DRAIN TRAY
ARI.136	MANGUITO	SLEEVE
ARI.137	DISTRIBUIDOR ACLARADO	RINSE DISTRIBUTOR
ARI.138	TUBO DISTRIBUIDOR ACLAR.	RINSE DISTRIBUTOR PIPE
ARI.139	TUBO BOILER-DISTACLEARADO	BOILER-DIST.RINSE PIPE
ARI.143	TUBO CALDERIN	BOILER PIPE
ARI.186	TOPE IZQUIERDO	LEFT STOP
ARI.187	TOPE DERECHO	RIGHT STOP
ARI.191	TORNILLO INOX PUERTA	DOOR INOX SCREW
ARI.211	ESFERA PLASTICO	SPHERE
ARI.212	JUNTA GOMA	RUBBER GASKET
ARI.217	TUERCA VALVULA	VALVE NUT
ARI.218	TAPA	LID
ARI.240	GIRATORIO ACLARADO	RINSE GYRATORY
ARI.241	RESISTENCIA CALDER.2000W 230V	2000W 230V BOILER RESISTANCE
C.19	JUNTA ALIMENTARIA	ALIMENTARY GASKET
DH...3	PRESOSTATO SAL	55/30 HORIZ.PRESS.SWITCH
FA.815	TORICA GOMA EPDM	RUBBER RING
H25807	ABRAZADERA 25-40	25-40 CLAMP
H31014	TORICA CIERRE	RUBBER RING
LB.23	INTERRUPTOR 4FAXTON VERDE	GREEN 4 FAXTON SWITCH
V.55	CONDENSADOR 10 MF 220V	220V 10MF CONDENSER
V.62	ABRAZADERA 12-20	12-20 CLAMP
V.132	ELECTROVALV 1 VIA LAV.220V	WASH 1 WAY 220V SOLENOID
V.200	TUBO DESAGUE 17mm 1.8mt	17mm. 1.8mt OUTLET PIPE
V.201	TUBO DESAGUE 28mm	28mm OUTLET PIPE
V.415	TOMA LAVADORA 1.5M	QUALITY 1.5M INLET W.FLEX
V.815	TOMA LAVADORA 2 METROS	2 MT INLET WATER FLEXIBLE
V.825	TOMA LAVADORA 1.5 "ECO"	"ECO" 1.5M INLET WATER FLE.
V.848	TOMA LAV.INOX 2MT.3/4X3/4	INOX 2MT.INLET WATER FLE.
V.849	TOMA LAV.INOX 2MT.3/4X3/4	INOX 2MT.INLET WATER FLE.
WL2032	PULSADOR AMBAR 4FAXTON	4 FAXTON YELLOW PBUTTON

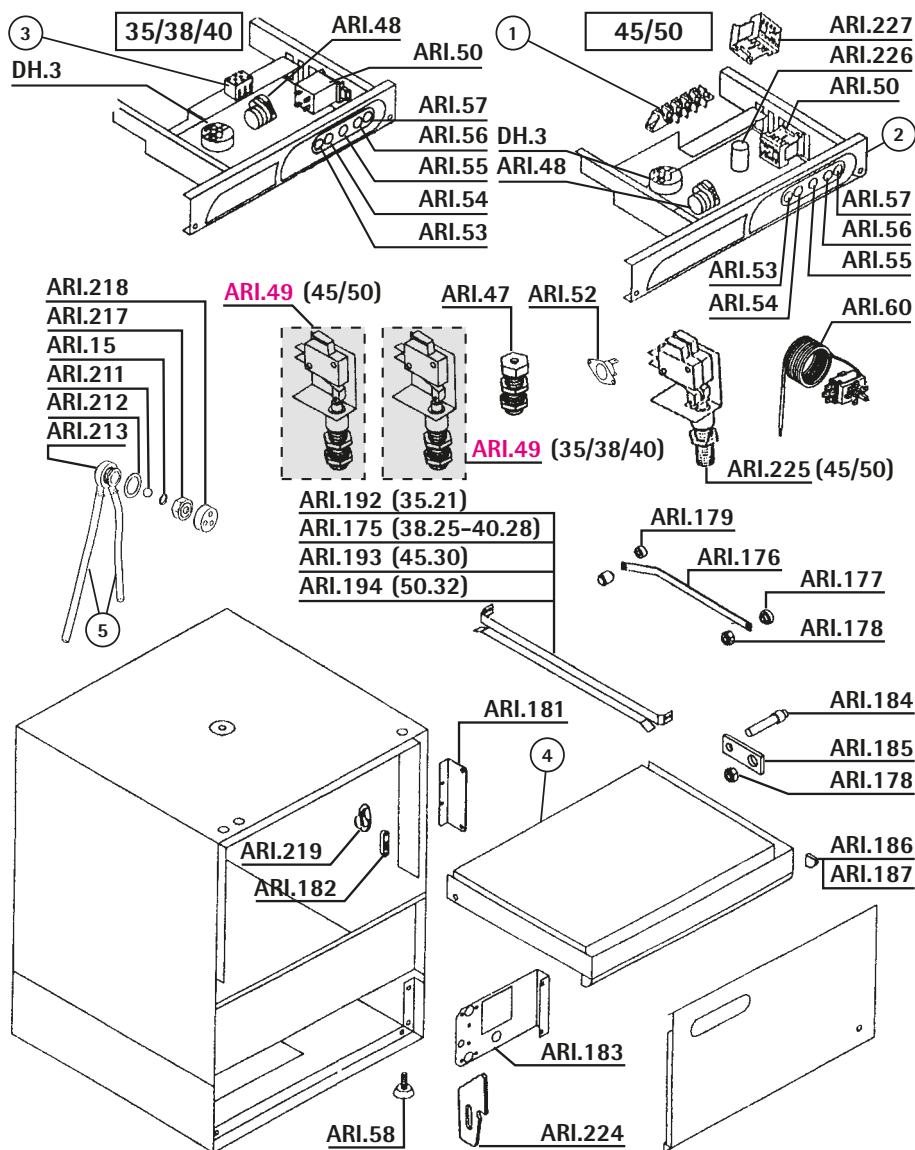


REF.	DESCRIPCIÓN	DESCRIPTION
ARI.15	TORICA GOMA	RUBBER RING
ARI.47	CIERRE PUERTA	CLOSING DOOR
ARI.48	PROGRAMADOR 3 MICROS 120S	3 TOOTH 120S TIMER SWITCH
ARI.53	INTERRUPTOR	SWITCH
ARI.54	PILOTO VERDE	GREEN WARNING LAMP
ARI.55	PILOTO BLANCO	WHITE WARNING LAMP
ARI.56	PILOTO AMARILLO	YELLOW WARNING LAMP
ARI.57	PULSANTE CICLO	CYCLE PUSH-BUTTON
ARI.58	PATA	FOOT
ARI.60	TERMOSTATO 90°	90° THERMOSTAT
ARI.84	CONTACTOR	CONTACTOR
ARI.177	RETEN TIRANTE	MECHANICAL SEAL
ARI.178	TUERCA BLOCAJE	BLOCKING NUT
ARI.181	PLACA PUERTA	DOOR PLATE
ARI.182	GUIA TIRANTE	DRAWER GUIDE
ARI.184	PERNO PUERTA	DOOR BOLT
ARI.185	SOPORTE PERNO	BOLT SUPPORT
ARI.186	TOPE IZQUIERDO	LEFT STOP
ARI.187	TOPE DERECHO	RIGHT STOP
ARI.211	ESFERA PLASTICO	SPHERE
ARI.212	JUNTA GOMA	RUBBER GASKET
ARI.213	DISTRIBUIDOR	DISTRIBUTOR
ARI.217	TUERCA VALVULA	VALVE NUT
ARI.218	TAPA	LID
ARI.219	ENGANCHE	CLIP
ARI.224	SOPORTE	SUPPORT
ARI.225	MICRO DOBLE	DOUBLE MICROSWITCH
ARI.226	FILTRO ANTIPARASITOS	ANTIPARASITIC FILTER
DH...3	PRESOSTATO SAL	55/30 HORIZ.PRESS.SWITCH
V...30	RACOR ENTRADA JABON	INLET SOAP FITTING
V.980	RACOR ENTRADA JABON LARGO	LONG INLET FITTING
V.1800	RACOR ENTRADA JABON METALICO	METALIC DETER.INLET FITTING

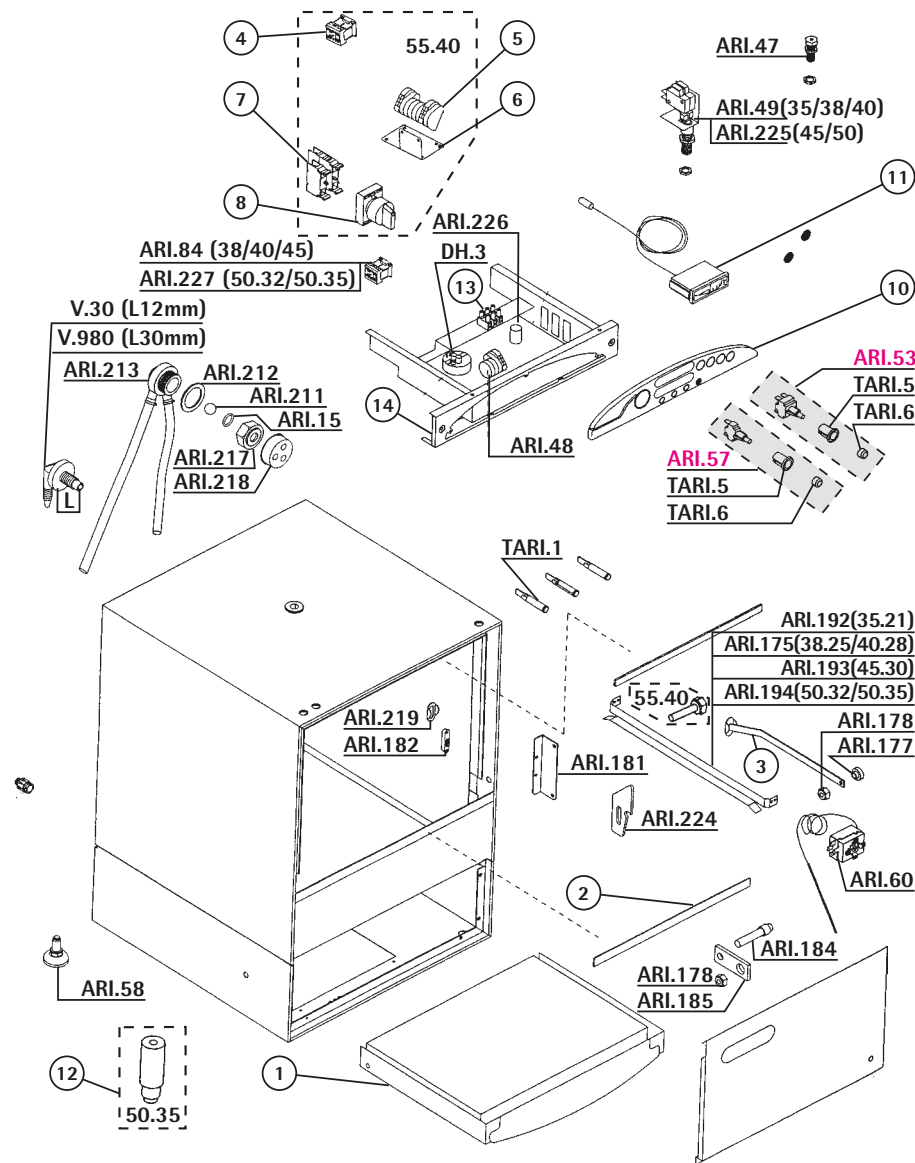


REF.	DESCRIPCIÓN	DESCRIPTION
ARI..2	PLACA RESISTENCIA	RESISTANCE PLATE
ARI..3	TORICA RESISTENCIA GOMA	RESISTANCE RUBBER RING
ARI..4	RESISTENCIA CUBA 2000W 230V	2000W 230V TANK RESISTANCE
ARI..6	TORICA GOMA	RUBBER RING
ARI.14	DOSIFICADOR ABRILLANTADOR	RINSE AID DOSIMETER
ARI.15	TORICA GOMA	RUBBER RING
ARI.16	TORICA GOMA	RUBBER RING
ARI.17	SOBRENIVEL 11.5 cms.	11.5 cms. OVERFLOW
ARI.19	DISTANCIAL INOX	INOX DISTACER
ARI.20	EJE ARBOL LAVA/ACLARADO	WASHING/RINSE ARM ROD
ARI.21	ARANDELA GRAFITADA	WASHER
ARI.22	DIFUSOR ACLARADO INOX	INOX CLEAR DIFFUSER
ARI.26	TORICA GOMA	RUBBER RING
ARI.30	TUERCA DESAGÜE	INLET NUT
ARI.33	ARANDELA ASTA LAV/ACLAR.	WASH-RINSE TREE WASHER
ARI.34	JUNTA PLANA GOMA	FLAT RUBBER GASKET
ARI.36	CODO DESAGUE	DRAIN ELBOW
ARI.37	ARANDELA INOX	WASHER
ARI.39	TUERCA PLASTICO	PLASTIC NUT
ARI.40	TORICA GOMA	RUBBER RING
ARI.42	EJE FILTRO	FILTER ROD
ARI.43	ANILLO FILTRO	FILTER RING
ARI.44	ARANDELA FILTRO	FILTER WASHER
ARI.45	FILTRO	FILTER
ARI.46	TUERCA FILTRO	FILTER NUT
ARI.52	TERMOST. BIMETALICO 105°	105° BIMETALLIC THERMOSTAT
ARI.59	RESIST. SELF 45/50 3000W 230V	RESIST. SELF 45/50 3000W 230V
ARI.63	CASQUILLO	CAP
ARI.68	TUERCA	NUT
ARI.95	TAPON ASTA LAVADO	WASHING ARM CAP
ARI.96	TAPON GIRATORIO ACLARADO	CLEAR REVOLVING ARM CAP
ARI.97	RACOR	FITTING
ARI.98	RACOR 2 VIAS	2 WAYS FITTING
ARI.100	RACOR 3 VIAS	3 WAYS FITTING
ARI.112	RACOR ANTICONDENSACION	FITTING
ARI.128	TUERCA PLASTICO	NUT
ARI.129	TOMA PRESION	PRESSURE INTAKE
ARI.141	VALVULA ANTIRETORNO	RETENTION VALVE
ARI.156	RACOR	FITTING
ARI.157	MANGUITO	SLEEVE
ARI.158	TUBO ALIMENTACION LAVADO	WASHER PIPE
ARI.166	CALDER.GL/PASSPORT 45/50	GL/PASSPORT 45/50 BOILER
ARI.167	MANGUITO	SLEEVE
ARI.169	DISTRIBUIDOR 3 VIAS	3 WAYS DISTRIBUTOR
ARI.211	ESFERA PLASTICO	SPHERE
ARI.212	JUNTA GOMA	RUBBER GASKET
ARI.213	DISTRIBUIDOR	DISTRIBUTOR
ARI.217	TUERCA VALVULA	VALVE NUT
ARI.218	TAPA	LID
ARI.220	ABRAZADERA	CLAMP
ARI.221	ABRAZADERA	CLAMP
ARI.222	MUELLE	SPRING
ARI.223	TUBO	PIPE
ARI.229	BOMBA 0.50 HP 230 V 50 HZ	0.50 HP WASHING PUMP
ARI.251	TUERCA CAMARA PRESOSTATICA	NUT
ARI.252	CAMARA PRESOSTATICA	PRESSURE SWITCH CHAMBER
C...19	JUNTA ALIMENTARIA	ALIMENTARY GASKET
FA.815	TORICA GOMA EPDM	RUBBER RING
H31014	TORICA CIERRE	CLOSING RING
V...5	TUBO GOMA 10X16 20 ATM	20ATM 10X17 RUBBER PIPE
V...56	CONDENSADOR 12.5 MF 220V	12.5MF 220V CONDENSER
V...132	ELECTROVALV.1 VIA LAV.220V	WASH 1 WAY 220V SOLENOID
V...133	ELECTROVALV.2 VIA LAV.220V	WASH 2 WAYS 220V SOLENOID
V...201	TUBO DESAG-28mm. 1.5mt.	28mm. 1.5mt OUTLET PIPE
V...415	TOMA LAVADORA 1.5M	QUALITY 1.5M.INLET W.FLEX
V...815	TOMA LAVADORA 2 METROS	2 MT.INLET WATER FLEXIBLE
V...825	TOMA LAVADORA 1.5M ECO	1.5 M ECO INLET WATER FL.
V...848	TOMA LAVADORA 1.5M INOX	INOX 1.5M INLET WATER FL.
V...849	TOMA LAV.INOX 2MT.3/4X3/4	INOX 2MT.INLET WATER FLE.





REF.	DESCRIPCIÓN	DESCRIPTION
ARI.15	TORICA GOMA	RUBBER RING
ARI.47	CIERRE PUERTA	CLOSING DOOR
ARI.48	PROGRAMADOR 3 MICROS 120S	3 TOOTH 120S TIMER
ARI.49	MICRO PASSPORT 250V 6A	250V 6A PASSPORT MICRO
ARI.50	RELE 240V 20A	240V 20A RELAY
ARI.52	TERMOST. BIMETALICO 105°	105° BIMETALLIC THERMOSTAT
ARI.53	INTERRUPTOR	SWITCH
ARI.54	PILOTO VERDE	GREEN WARNING LAMP
ARI.55	PILOTO BLANCO	WHITE WARNING LAMP
ARI.56	PILOTO AMARILLO	YELLOW WARNING LAMP
ARI.57	PULSANTE CICLO	CYCLE PUSH-BUTTON
ARI.58	PATA	FOOT
ARI.60	TERMOSTATO 90°	90° THERMOSTAT
ARI.175	GUIA PUERTA 38.25/40.28	38.25/40.28 DOOR GUIDE
ARI.176	TIRANTE PUERTA	DOOR DRAWER
ARI.177	RETEN TIRANTE	MECHANICAL SEAL
ARI.178	TUERCA BLOCAJE	BLOCKING NUT
ARI.179	DISTANCIAL	DISTANCER
ARI.181	PLACA PUERTA	DOOR PLATE
ARI.182	GUIA TIRANTE	DRAWER GUIDE
ARI.183	SOPORTE TERMOSTATO	THERMOSTAT SUPPORT
ARI.184	PERNO PUERTA	DOOR BOLT
ARI.185	SOPORTE PERNO	BOLT SUPPORT
ARI.186	TOPE IZQUIERDO	LEFT STOP
ARI.187	TOPE DERECHO	RIGHT STOP
ARI.192	GUIA PUERTA MOD.35.21	MOD.35.21 DOOR GUIDE
ARI.193	GUIA PUERTA MOD.45.30	MOD.45.30 DOOR GUIDE
ARI.194	GUIA PUERTA MOD.50.32	MOD.50.32 DOOR GUIDE
ARI.211	ESFERA PLASTICO	SPHERE
ARI.212	JUNTA GOMA	RUBBER GASKET
ARI.213	DISTRIBUIDOR	DISTRIBUTOR
ARI.217	TUERCA VALVULA	VALVE NUT
ARI.218	TAPA	LID
ARI.219	ENGANCHE	CLIP
ARI.224	SOPORTE	SUPPORT
ARI.225	MICRO DOBLE	DOUBLE MICROSWITCH
ARI.226	FILTRO ANTIPARASITOS	ANTIPARASITIC FILTER
ARI.227	CONTACTOR	CONTACTOR
DH...3	PRESOSTATO SAL	55/30 HORIZ.PRESS.SWITCH

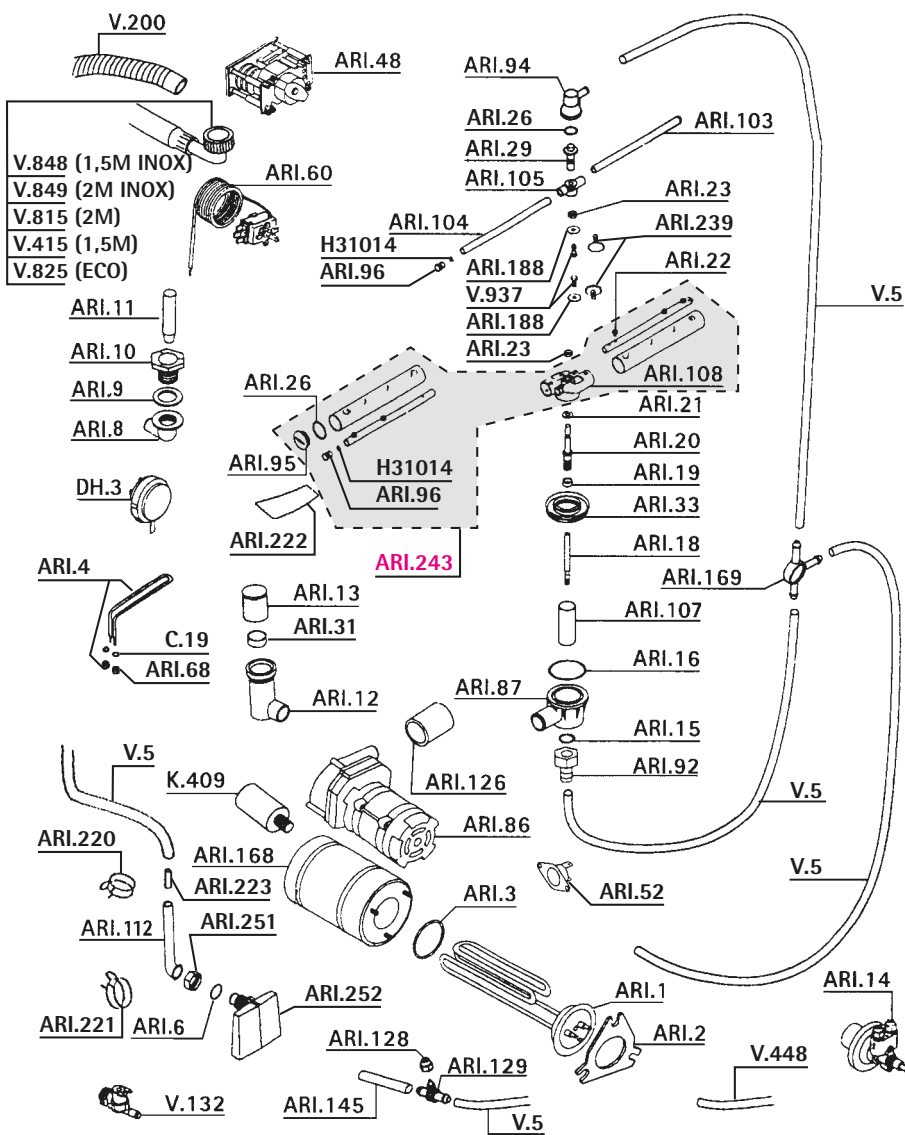


REF.	DESCRIPCIÓN	DESCRIPTION
ARI.15	TORICA GOMA	RUBBER RING
ARI.47	CIERRE PUERTA	CLOSING DOOR
ARI.48	PROGRAMADOR 3 MICROS 120S	3 TOOTH 120S TIMER
ARI.49	MICRO PASSPORT 250V 6A	250V 6A PASSPORT MICRO
ARI.53	INTERRUPTOR	SWITCH
ARI.57	PULSANTE CICLO	CYCLE PUSH-BUTTON
ARI.58	PATA	FOOT
ARI.60	TERMOSTATO 90°	90° THERMOSTAT
ARI.84	CONTACTOR	CONTACTOR
ARI.175	GUIA PUERTA 38.25/40.28	38.25/40.28 DOOR GUIDE
ARI.177	RETEN TIRANTE	MECHANICAL SEAL
ARI.178	TUERCA BLOCAJE	BLOCKING NUT
ARI.181	PLACA PUERTA	DOOR PLATE
ARI.182	GUIA TIRANTE	DRAWER GUIDE
ARI.184	PERNO PUERTA	DOOR BOLT
ARI.185	SOPORTE PERNO	BOLT SUPPORT
ARI.192	GUIA PUERTA MOD.35.21	MOD.35.21 DOOR GUIDE
ARI.193	GUIA PUERTA MOD.45.30	MOD.45.30 DOOR GUIDE
ARI.194	GUIA PUERTA MOD.50.32	MOD.50.32 DOOR GUIDE
ARI.211	ESFERA PLASTICO	SPHERE
ARI.212	JUNTA GOMA	RUBBER GASKET
ARI.213	DISTRIBUIDOR	DISTRIBUTOR
ARI.217	TUERCA VALVULA	VALVE NUT
ARI.218	TAPA	LID
ARI.219	ENGANCHE	CLIP
ARI.224	SOPORTE	SUPPORT
ARI.225	MICRO DOBLE	DOUBLE MICROSWITCH
ARI.226	FILTRO ANTIPARASITOS	ANTIPARASITIC FILTER
ARI.227	CONTACTOR	CONTACTOR
DH...3	PRESOSTATO SAL	55/30 HORIZ.PRESS.SWITCH
TARI.1	PILOTO VERDE 230V	230V GREEN LAMP
TARI.5	SOPORTE INTERRUPTOR NEGRO	SWITCH SUPPORT
TARI.6	PULSANTE INTERRUPTOR	SWITCH PUSH-BUTTON
V...30	RACOR ENTRADA JABON	INLET SOAP FITTING
V.980	RACOR ENTRADA JABON LARGO	LONG INLET FITTING

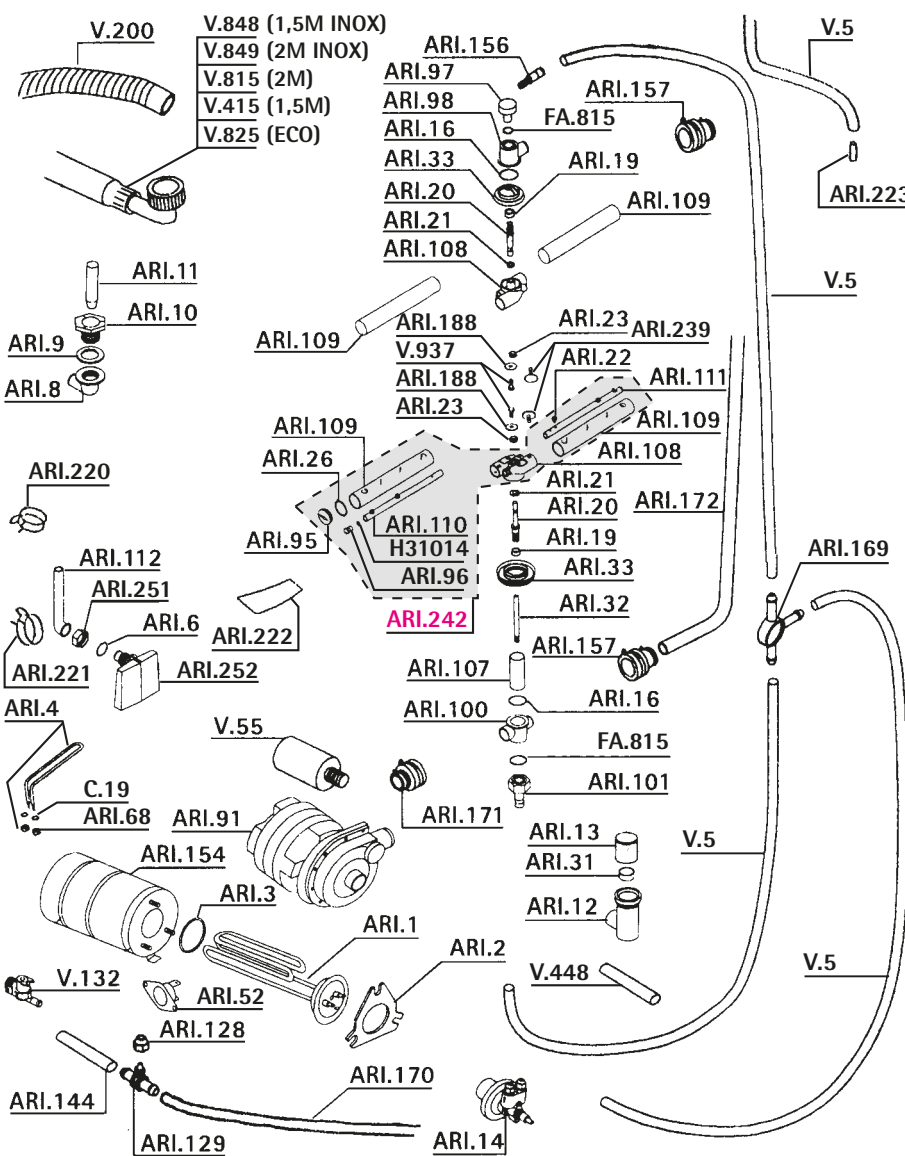
Solicite el DVD, incluye todos nuestros catálogos. Más de 50.000 artículos



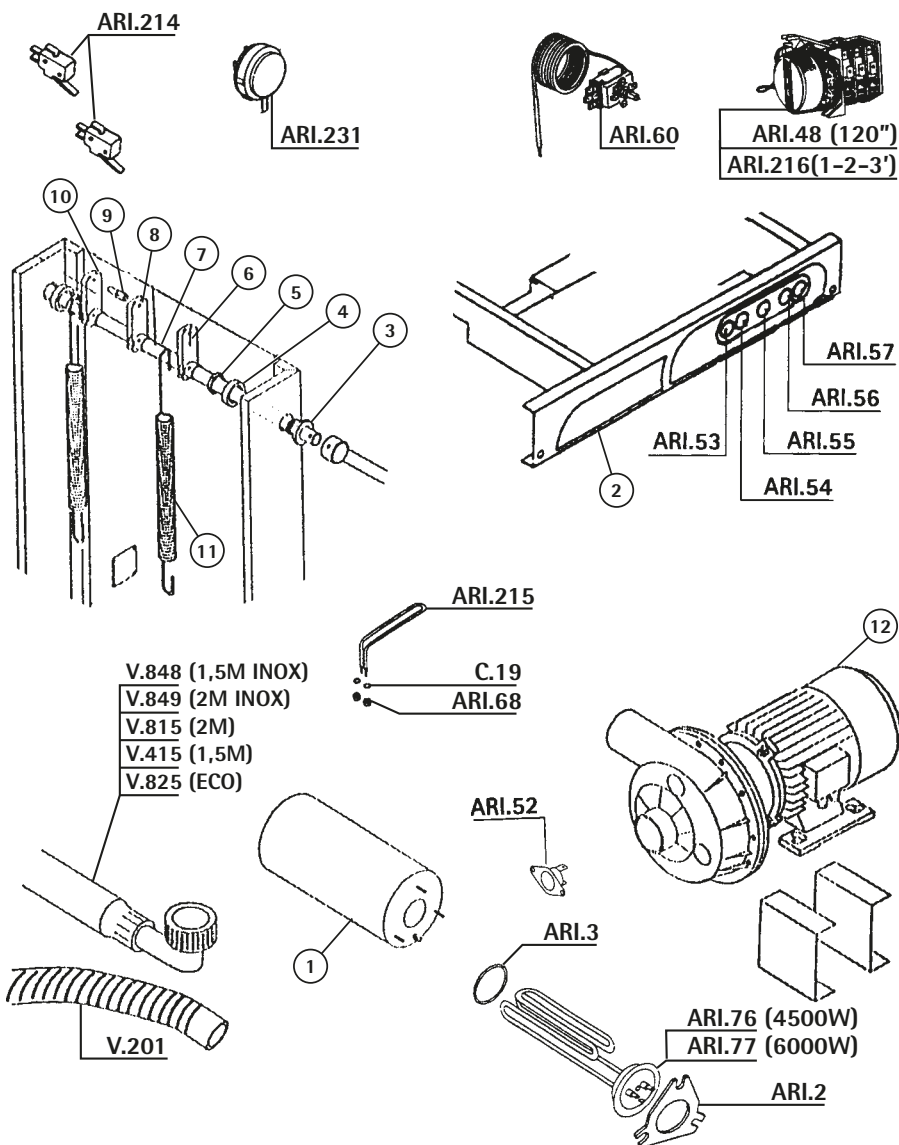
REF.	DESCRIPCIÓN	DESCRIPTION
ARI..1	RESISTENC.CALDERIN 2000W	2000W 230V BOILER RESISTANCE
ARI..2	PLACA RESISTENCIA	RESISTANCE PLATE
ARI..3	TORICA RESISTENCIA GOMA	RESISTANCE RUBBER RING
ARI..4	RESISTENCIA CUBA 2000W 230V	2000W 230V TANK RESISTANCE
ARI..6	TORICA GOMA	RUBBER RING
ARI..8	CODO REBOSADERO	OVERFLOW ELBOW
ARI..9	JUNTA GOMA	RUBBER GASKET
ARI..10	RACOR PLASTICO DESAGÜE	DRAIN FITTING
ARI..11	SOBRENIVEL	OVERFLOW
ARI..12	MANGUITO ASPIRACION	SUCTION SLEEVE
ARI..13	FILTRO	FILTER
ARI..14	DOSIFICADOR ABRILLANTADOR	RINSE AID DOSIMETER
ARI..15	TORICA GOMA	RUBBER RING
ARI..16	TORICA GOMA	RUBBER RING
ARI..18	TIRANTE INOX.	INOX DRAWER
ARI..19	DISTANCIAL INOX	INOX DISTACER
ARI..20	EJE ARBOL LAVA/ACLARADO	WASHING/RINSE ARM ROD
ARI..21	ARANDELA GRAFITADA	WASHER
ARI..22	DIFUSOR ACLARADO INOX	INOX CLEAR DIFFUSER
ARI..23	ANILLO PLASTICO	RING
ARI..26	TORICA GOMA	RUBBER RING
ARI..29	PERNO	BOLT
ARI..31	ANILLO MANGUITO	SLEEVE RING
ARI..33	ARANDELA ASTA LAV/ACLAR.	WASH-RINSE TREE WASHER
ARI..48	PROGRAMADOR 3 MICROS 120S	3 TOOTH 120S TIMER
ARI..52	TERMOST. BIMETALICO 105°	105° BIMETALLIC THERMOSTAT
ARI..60	TERMOSTATO 90°	90° THERMOSTAT
ARI..68	TUERCA	NUT
ARI..86	MOTOR 0.10HP	0.10 HP MOTOR
ARI..87	RACOR CENTRAL	CENTRAL FITTING
ARI..92	RACOR TIRANTE	DRAWER FITTING
ARI..94	RACOR	FITTING
ARI..95	TAPON ASTA LAVADO	WASHING ARM CAP
ARI..96	TAPON GIRATORIO ACLARADO	CLEAR REVOLVING ARM CAP
ARI..105	DISTRIBUIDOR	DISTRIBUTOR
ARI..107	CUBRE TIRANTE	DRAWER COVER
ARI..108	DISTRIBUIDOR	DISTRIBUTOR
ARI..112	RACOR ANTICONDENSACION	FITTING
ARI..126	MANGUITO	SLEEVE
ARI..128	TUERCA PLASTICO	NUT
ARI..129	TOMA PRESION	PRESSURE INTAKE
ARI..145	TUBO GOMA VALVULA ANTIRR.	RETENT.VALVE RUBBER PIPE
ARI..168	CALDERIN	BOILER
ARI..169	DISTRIBUIDOR 3 VIAS	3 WAYS DISTRIBUTOR
ARI..188	ARANDELA	WASHER
ARI..220	ABRAZADERA	CLAMP
ARI..221	ABRAZADERA	CLAMP
ARI..222	MUELLE	SPRING
ARI..223	TUBO	PIPE
ARI..239	TUERCA FIJACION	FIXING NUT
ARI..243	CONJUNTO CRUCETA 35.21	35.21 CROSSHAD WHOLE
ARI..251	TUERCA CAMARA PRESOSTATICA	NUT
ARI..252	CAMARA PRESOSTATICA	PRESSURE SWITCH CHAMBER
C..19	JUNTA ALIMENTARIA	ALIMENTARY GASKET
DH..3	PRESOSTATO SAL	55/30 HORIZ.PRESS.SWITCH
H31014	TORICA CIERRE	CLOSING RING
K..409	CONDENSADOR 6MF	220V 6MF CONDENSER
V..5	TUBO GOMA 10X16 20 ATM	20ATM 10X17 RUBBER PIPE
V..132	ELECTROVALV.1 VIA LAV/220V	WASH 1 WAY 220V SOLENOID
V..200	TUBO DESAGÜE 17mm 1,8mt	17mm. 1.8mt OUTLET PIPE
V..415	TOMA LAVADORA 1,5M	QUALITY 1.5M.INLET W.FLEX
V..448	TUBO PRESOSTATO-METRO 4X6	4X6 PRE.SWITCH INLET PIPE
V..815	TOMA LAVADORA 2 METROS	2 MT.INLET WATER FLEXIBLE
V..825	TOMA LAVADORA 1.5 "ECO"	"ECO"1.5M INLET WA.FLEXIB
V..848	TOMA LAVADORA 1.5M INOX	INOX 1.5M INLET WATER FL.
V..849	TOMA LAV.INOX 2MT.3/4X3/4	INOX 2MT.INLET WATER FLE.
V..937	TORNILLO INOX M6x10mm	M6X10mm INOX SCREW



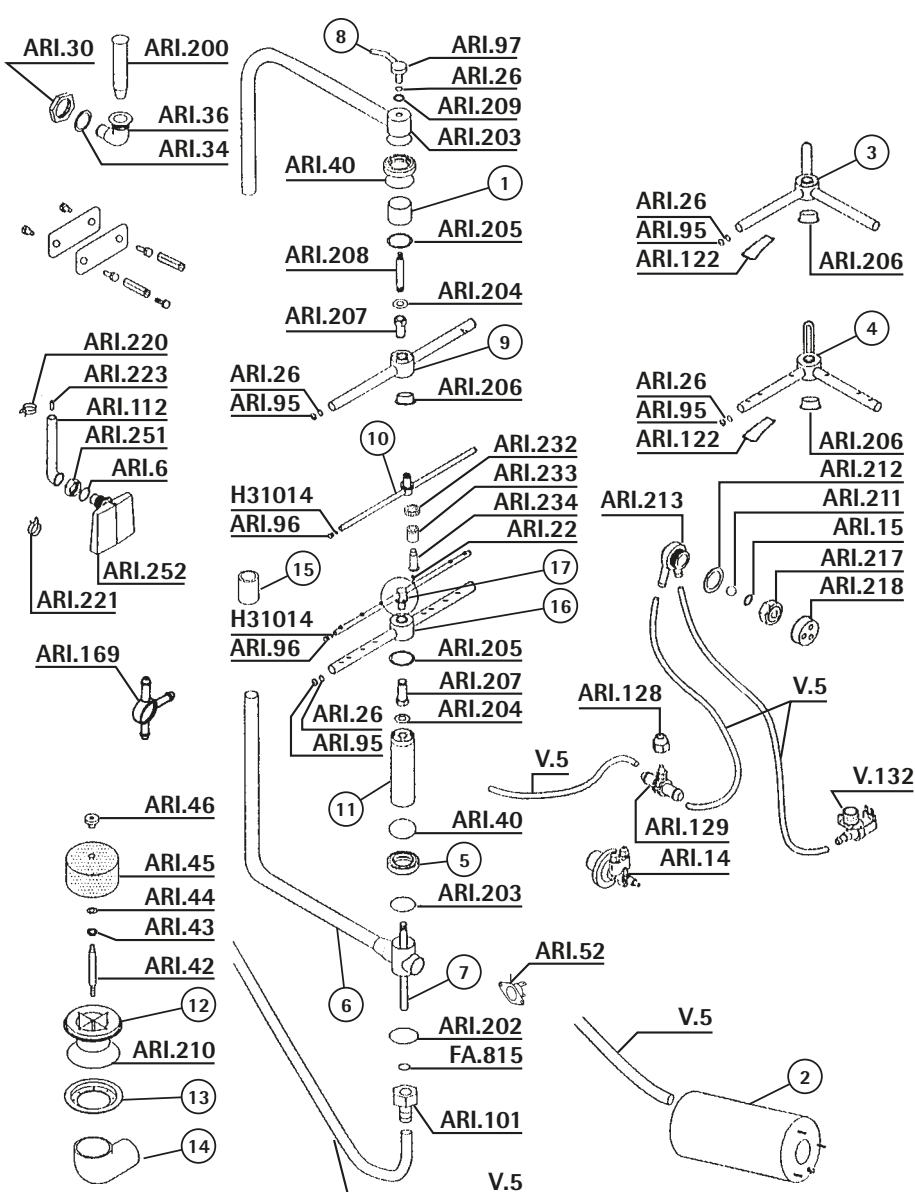
REF.	DESCRIPCIÓN	DESCRIPTION
ARI..1	RESISTENC.CALDERIN 2000W	2000W 230V BOILER RESISTANCE
ARI..2	PLACA RESISTENCIA	RESISTANCE PLATE
ARI..3	TORICA RESISTENCIA GOMA	RESISTANCE RUBBER RING
ARI..4	RESISTENCIA CUBA 2000W 230V	2000W 230V TANK RESISTANCE
ARI..6	TORICA GOMA	RUBBER RING
ARI..8	CODO REBOSADERO	OVERFLOW ELBOW
ARI..9	JUNTA GOMA	RUBBER GASKET
ARI..10	RACOR PLASTICO DESAGÜE	DRAIN FITTING
ARI..11	SOBRENIVEL	OVERFLOW
ARI..12	MANGUITO ASPIRACION	SUCTION SLEEVE
ARI..13	FILTRO	FILTER
ARI..14	DOSIFICADOR ABRILLANTADOR	RINSE AID DOSIMETER
ARI..16	TORICA GOMA	RUBBER RING
ARI..19	DISTANCIAL INOX	INOX DISTACER
ARI..20	EJE ARBOL LAVA/ACLARADO	WASHING/RINSE ARM ROD
ARI..21	ARANDELA GRAFITADA	WASHER
ARI..22	DIFUSOR ACLARADO INOX	INOX CLEAR DIFFUSER
ARI..23	ANILLO PLASTICO	RING
ARI..26	TORICA GOMA	RUBBER RING
ARI..31	ANILLO MANGUITO	SLEEVE RING
ARI..32	TIRANTE	DRAWER
ARI..33	ARANDELA ASTA LAV/ACLAR.	WASH-RINSE TREE WASHER
ARI..52	TERMOST. BIMETALICO 105°	105° BIMETALLIC THERMOSTAT
ARI..68	TUERCA	NUT
ARI..91	MOTOR 0,25 HP	0.25 HPMOTOR
ARI..95	TAPON ASTA LAVADO	WASHING ARM CAP
ARI..96	TAPON GIRATORIO ACLARADO	CLEAR REVOLVING ARM CAP
ARI..97	RACOR	FITTING
ARI..98	RACOR 2 VIAS	2 WAYS FITTING
ARI..100	RACOR 3 VIAS	3 WAYS FITTING
ARI..101	RACOR TIRANTE	DRAWER FITTING
ARI..107	CUBRE TIRANTE	DRAWER COVER
ARI..108	DISTRIBUIDOR	DISTRIBUTOR
ARI..109	TUBO LAVADO	WASHING PIPE
ARI..112	RACOR ANTICONDENSACION	FITTING
ARI..128	TUERCA PLASTICO	NUT
ARI..129	TOMA PRESION	PRESSURE INTAKE
ARI..144	TUBO GOMA ELECTROVALVULA	ELECTROVALVE RUBBER PIPE
ARI..154	CALD. PROJ./PASSPORT 38/40	PROJECT/PASSP38/40 BOIL.
ARI..156	RACOR	FITTING
ARI..157	MANGUITO	SLEEVE
ARI..169	DISTRIBUIDOR 3 VIAS	3 WAYS DISTRIBUTOR
ARI..170	TUBO DE GOMA	RUBBER PIPE
ARI..171	MANGUITO	SLEEVE
ARI..172	TUBO LAVADO	WASHER PIPE
ARI..188	ARANDELA	WASHER
ARI..220	ABRAZADERA	CLAMP
ARI..221	ABRAZADERA	CLAMP
ARI..222	MUELLE	SPRING
ARI..223	TUBO	PIPE
ARI..239	TUERCA FIJACION	FIXING NUT
ARI..242	CONJUNTO CRUCETA 38.25/40.28	38.25/40.28 CROSSHAD WHOLE
ARI..251	TUERCA CAMARA PRESOSTATICA	NUT
ARI..252	CAMARA PRESOSTATICA	PRESSURE SWITCH CHAMBER
C..19	JUNTA ALIMENTARIA	ALIMENTARY GASKET
FA.815	TORICA GOMA EPDM	RUBBER RING
H31014	TORICA CIERRE	CLOSING RING
V..5	TUBO GOMA 10X16 20 ATM	20ATM 10X17 RUBBER PIPE
V..55	CONDENSADOR 10 MF 220V	220V 10MF.CONDENSER
V..132	ELECTROVALV.1 VIA LAV/220V	WASH 1 WAY 220V SOLENOID
V..200	TUBO DESAGÜE 17mm 1,8mt	17mm. 1.8mt OUTLET PIPE
V..415	TOMA LAVADORA 1,5M	QUALITY 1.5M.INLET W.FLEX
V..448	TUBO PRESOSTATO-METRO 4X6	4X6 PRE.SWITCH INLET PIPE
V..815	TOMA LAVADORA 2 METROS	2 MT.INLET WATER FLEXIBLE
V..825	TOMA LAVADORA 1.5 "ECO"	"ECO"1.5M INLET WA.FLEXIB
V..848	TOMA LAVADORA 1.5M INOX	INOX 1.5M INLET WATER FL.
V..849	TOMA LAV.INOX 2MT.3/4X3/4	INOX 2MT.INLET WATER FLE.
V..937	TORNILLO INOX M6x10mm	M6X10mm INOX SCREW

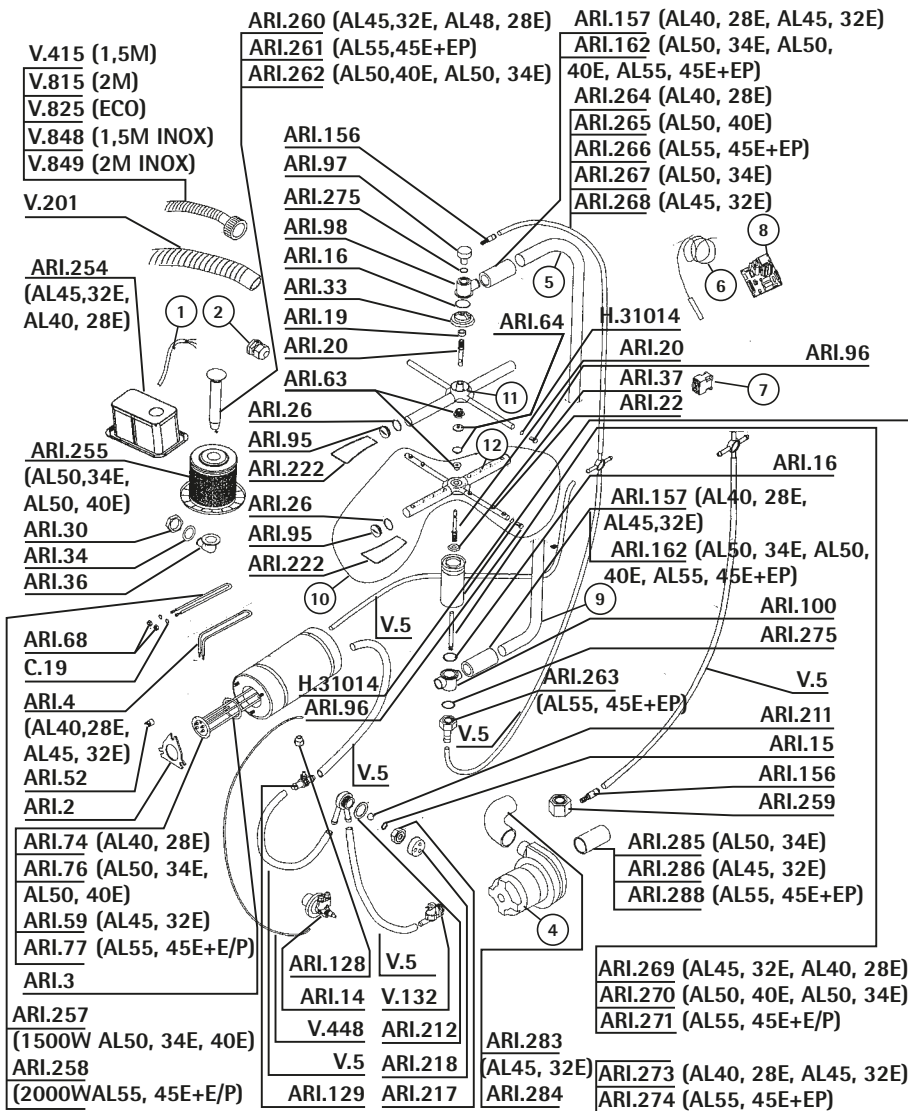


REF.	DESCRIPCIÓN	DESCRIPTION
ARI..2	PLACA RESISTENCIA	RESISTANCE PLATE
ARI.3	TORICA RESISTENCIA GOMA	RESISTANCE RUBBER RING
ARI.48	PROGRAMADOR 3 MICROS 120S	3 TOOTH 120S TIMER
ARI.52	TERMOST. BIMETALICO 105°	105° BIMETALLIC THERMOSTAT
ARI.53	INTERRUPTOR	SWITCH
ARI.54	PILOTO VERDE	GREEN WARNING LAMP
ARI.55	PILOTO BLANCO	WHITE WARNING LAMP
ARI.56	PILOTO AMARILLO	YELLOW WARNING LAMP
ARI.57	PULSANTE CICLO	CYCLE PUSH-BUTTON
ARI.60	TERMOSTATO 90°	90° THERMOSTAT
ARI.68	TUERCA	NUT
ARI.76	RESISTENCIA 4500W 230V	RESISTANCE 4500W 230V
ARI.77	RESISTENCIA 6000W 230V	RESISTANCE 6000W 230V
ARI214	MICROINTERRUPTOR	MICROSWITCH
ARI215	RESISTENCIA CUBA 1500W/230V	TANK RESISTANCE 1500W
ARI216	PROGRAMADOR 3 MINUTOS	3 MINUTES TIMER
ARI231	PRESOSTATO 123-75°	123-75° PRESSURE SWITCH
C...19	JUNTA ALIMENTARIA	ALIMENTARY GASKET
V..201	TUBO DESAG-É 28mm. 1,5mt.	28mm. 1.5mt OUTLET PIPE
V..415	TOMA LAVADORA 1,5M	QUALITY 1.5M.INLET W.FLEX
V..815	TOMA LAVADORA 2 METROS	2 MT.INLET WATER FLEXIBLE
V..825	TOMA LAVADORA 1.5 "ECO"	"ECO"1.5M INLET WA.FLEXIB
V..848	TOMA LAVADORA 1.5M INOX	INOX 1.5M INLET WATER FL.
V..849	TOMA LAV.INOX 2MT.3/4X3/4	INOX 2MT.INLET WATER FLE.

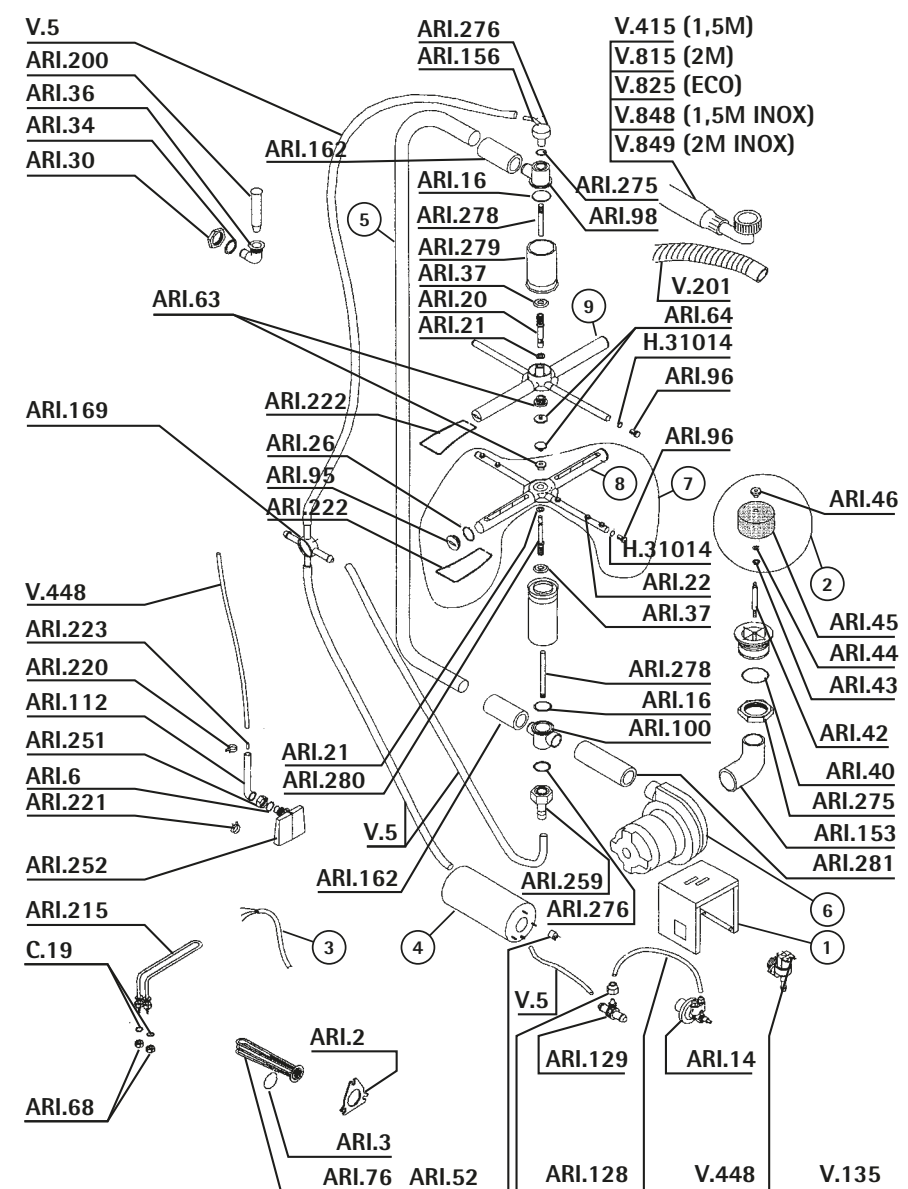


REF.	DESCRIPCIÓN	DESCRIPTION
ARI..6	TORICA GOMA	RUBBER RING
ARI.14	DOSIFICADOR ABRILLANTADOR	RINSE AID DOSIMETER
ARI.15	TORICA GOMA	RUBBER RING
ARI.22	DIFUSOR ACLARADO INOX	INOX CLEAR DIFFUSER
ARI.26	TORICA GOMA	RUBBER RING
ARI.30	TUERCA DESAGÜE	INLET NUT
ARI.34	JUNTA PLANA GOMA	FLAT RUBBER GASKET
ARI.36	CODO DESAGÜE	DRAIN ELBOW
ARI.40	TORICA GOMA	RUBBER RING
ARI.42	EJE FILTRO	FILTER ROD
ARI.43	ANILLO FILTRO	FILTER RING
ARI.44	ARANDELA FILTRO	FILTER WASHER
ARI.45	FILTRO	FILTER
ARI.46	TUERCA FILTRO	FILTER NUT
ARI.52	TERMOST. BIMETALICO 105°	105° BIMETALLIC THERMOSTAT
ARI.95	TAPON ASTA LAVADO	WASHING ARM CAP
ARI.96	TAPON GIRATORIO ACLARADO	CLEAR REVOLVING ARM CAP
ARI.97	RACOR	FITTING
ARI101	RACOR TIRANTE	DRAWER FITTING
ARI112	RACOR ANTICONDENSACION	FITTING
ARI122	TUERCA FIJACION	FIXING NUT
ARI128	TUERCA PLASTICO	NUT
ARI129	TOMA PRESION	PRESSURE INTAKE
ARI169	DISTRIBUIDOR 3 VIAS	3 WAYS DISTRIBUTOR
ARI200	SOBRENIVEL	OVERFLOW
ARI202	TORICA	RING
ARI203	TORICA	RING
ARI204	ARANDELA INOX	INOX WASHER
ARI205	JUNTA TEFLON	TEFLON GASKET
ARI206	CASQUILLO	CAP
ARI207	EJE	ROD
ARI208	EJE	ROD
ARI209	ARANDELA METAL	GASKET
ARI210	TORICA	RING
ARI211	ESFERA PLASTICO	SPHERE
ARI212	JUNTA GOMA	RUBBER GASKET
ARI213	DISTRIBUIDOR	DISTRIBUTOR
ARI217	TUERCA VALVULA	VALVE NUT
ARI218	TAPA	LID
ARI220	ABRAZADERA	CLAMP
ARI221	ABRAZADERA	CLAMP
ARI223	TUBO	PIPE
ARI232	RACOR LAVADO	WASHING FITTING
ARI233	CASQUILLO TEFLON	TEFLON CAP
ARI234	PERNO INOX	INOX BOLT
ARI251	TUERCA CAMARA PRESOSTATICA	NUT
ARI252	CAMARA PRESOSTATICA	PRESSURE SWITCH CHAMBER
FA.815	TORICA GOMA EPDM	RUBBER RING
H31014	TORICA CIERRE	CLOSING RING
V...5	TUBO GOMA 10X16 20 ATM	20ATM 10X17 RUBBER PIPE
V..132	ELECTROVAL.1 VIA LAV.220V	WASH 1 WAY 220V SOLENOID



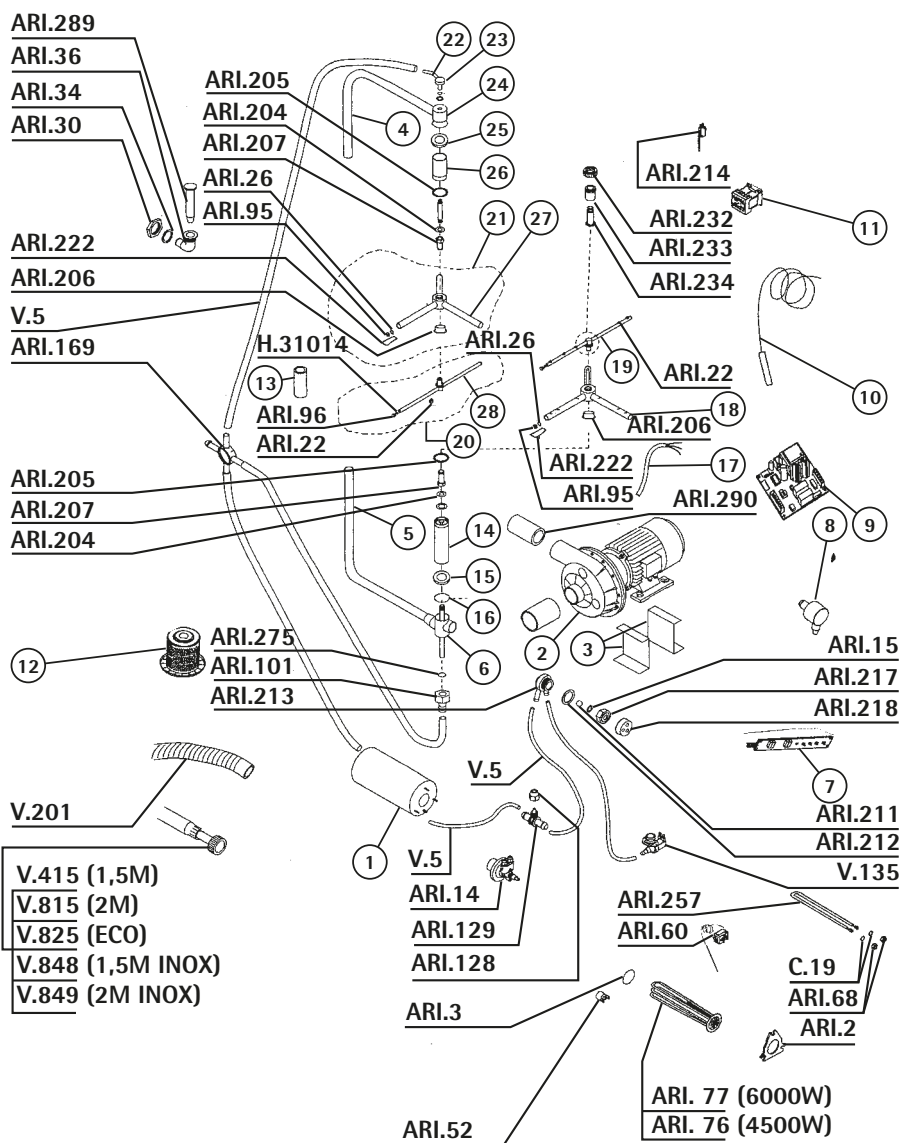


REF.	DESCRIPCIÓN	DESCRIPTION
ARI.2	PLACA RESISTENCIA	RESISTANCE PLATE
ARI.3	TORICA RESISTENCIA GOMA	RESISTANCE RUBBER RING
ARI.4	RESISTENCIA CUBA 2000W 230V	2000W 230V TANK RESISTANCE
ARI.14	DOSIFICADOR ABRILLANTADOR	RINSE AID DOSIMETER
ARI.15	TORICA GOMA	RUBBER RING
ARI.16	TORICA GOMA	RUBBER RING
ARI.19	DISTANCIAL INOX	INOX DISTACER
ARI.20	EJE ARBOL LAVA/ACLARADO	WASHING/RINSE ARM ROD
ARI.22	DIFUSOR ACLARADO INOX	INOX CLEAR DIFFUSER
ARI.26	TORICA GOMA	RUBBER RING
ARI.30	TUERCA DESAGÜE	INLET NUT
ARI.33	ARANDELA ASTA LAV/ACLAR.	WASH-RINSE TREE WASHER
ARI.34	JUNTA PLANA GOMA	FLAT RUBBER GASKET
ARI.36	CODO DESAGÜE	DRAIN ELBOW
ARI.37	ARANDELA INOX	WASHER
ARI.52	TERMOST. BIMETALICO 105°	105° BIMETALLIC THERMOSTAT
ARI.59	RESIST.SELF 45/50 3000W 230V	RESIST. SELF 45/50 3000W 230V
ARI.63	CASQUILLO	CAP
ARI.64	TORNILLO FIJACION	FIXING SCREW
ARI.68	TUERCA	NUT
ARI.74	RESIST.2500W 230V PROJCT 28	PROJECT 28 2500W 230V RESIST.
ARI.76	RESISTENCIA 4500W 230V	RESISTANCE 4500W 230V
ARI.77	RESISTENCIA 6000W 230V	RESISTANCE 6000W 230V
ARI.95	TAPON ASTA LAVADO	WASHING ARM CAP
ARI.96	TAPON GIRATORIO ACLARADO	CLEAR REVOLVING ARM CAP
ARI.97	RACOR	FITTING
ARI.98	RACOR 2 VIAS	2 WAYS FITTING
ARI.100	RACOR 3 VIAS	3 WAYS FITTING
ARI.102	TUERCA PLASTICO	NUT
ARI.128	TOMA PRESION	PRESSURE INTAKE
ARI.129	RACOR	FITTING
ARI.156	MANGUITO	SLEEVE
ARI.157	MANGUITO LAV.SELF GL5/GL7	SELF GL5/GL7 WASHER SLEEVE
ARI.162	ESFERA PLASTICO	SPHERE
ARI.211	JUNTA GOMA	RUBBER GASKET
ARI.217	TUERCA VALVULA	VALVE NUT
ARI.218	TAPA	LID
ARI.222	MUELLE	SPRING
ARI.254	FILTRO AL40.28E	AL40.28E FILTER
ARI.255	FILTRO AL50.34/50.40E	AL50.34/50.40E FILTER
ARI.257	RESISTENCIA CUBA 1500W	TANK RESISTANCE 1500W
ARI.258	RESISTENCIA CUBA 2000W	TANK RESISTANCE 2000W
ARI.259	RACOR	FITTING
ARI.260	REBOSADERO	OVERFLOW
ARI.261	REBOSADERO	OVERFLOW
ARI.262	REBOSADERO	OVERFLOW
ARI.263	SERVIR ARI259	GO TO ARI259
ARI.264	CRUZ 4 VIAS	4 WAYS CROSSHEAD
ARI.265	CRUZ 4 VIAS	4 WAYS CROSSHEAD
ARI.266	CRUZ 4 VIAS	4 WAYS CROSSHEAD
ARI.267	CRUZ 4 VIAS	4 WAYS CROSSHEAD
ARI.268	CRUZ 4 VIAS	4 WAYS CROSSHEAD
ARI.269	EJE	ROD
ARI.270	EJE	ROD
ARI.271	EJE	ROD
ARI.273	ADAPTADOR	ADAPTOR
ARI.274	ADAPTADOR	ADAPTOR
ARI.275	JUNTA	GASKET
ARI.285	CODO	ELBOW
ARI.286	CODO	ELBOW
ARI.288	CODO	ELBOW
ARI.289	CODO	ELBOW
ARI.288	CODO	ELBOW
ARI.289	CODO	ELBOW
C...19	JUNTA ALIMENTARIA	ALIMENTARY GASKET
H31014	TORICA CIERRE	CLOSING RING
V...5	TUBO GOMA 10X16 20 ATM	20ATM 10X17 RUBBER PIPE
V.132	ELECTROVALV.1 VIA LAV.220V	WASH 1 WAY 220V SOLENOID
V.201	TUBO DESAGÜE 28mm. 1,5mt.	28mm. 1.5mt OUTLET PIPE
V.415	TOMA LAVADORA 1,5M	QUALITY 1.5M INLET PIPE
V.448	TUBO PRESOSTATO-METRO 4X6	4X6 PRE-SWITCH INLET PIPE
V.815	TOMA LAVADORA 2 METROS	2 MT.INLET WATER FLEXIBLE
V.825	TOMA LAVADORA 1.5 "ECO"	"ECO"1.5M INLET WA.FLEXIB
V.848	TOMA LAVADORA 1.5M INOX	INOX 1.5M INLET WATER FL.
V.849	TOMA LAV.INOX 2MT.3/4X3/4	INOX 2MT.INLET WATER FLE.



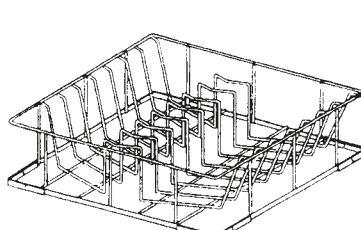
REF.	DESCRIPCIÓN	DESCRIPTION
ARI.2	PLACA RESISTENCIA	RESISTANCE PLATE
ARI.3	TORICA RESISTENCIA GOMA	RESISTANCE RUBBER RING
ARI.6	TORICA GOMA	RUBBER RING
ARI.14	DOSIFICADOR ABRILLANTADOR	RINSE AID DOSIMETER
ARI.16	TORICA GOMA	RUBBER RING
ARI.20	EJE ARBOL LAVA/ACLARADO	WASHING/RINSE ARM ROD
ARI.21	ARANDELA GRAFITADA	WASHER
ARI.22	DIFUSOR ACLARADO INOX	INOX CLEAR DIFFUSER
ARI.26	TORICA GOMA	RUBBER RING
ARI.30	TUERCA DESAGÜE	INLET NUT
ARI.34	JUNTA PLANA GOMA	FLAT RUBBER GASKET
ARI.36	CODO DESAGÜE	DRAIN ELBOW
ARI.37	ARANDELA INOX	WASHER
ARI.40	TORICA GOMA	RUBBER RING
ARI.42	EJE FILTRO	FILTER ROD
ARI.43	ANILLO FILTRO	FILTER RING
ARI.44	ARANDELA FILTRO	FILTER WASHER
ARI.45	FILTRO	FILTER
ARI.46	TUERCA FILTRO	FILTER NUT
ARI.52	TERMOST. BIMETALICO 105°	105° BIMETALLIC THERMOSTAT
ARI.63	CASQUILLO	CAP
ARI.64	TORNILLO FIJACION	FIXING SCREW
ARI.68	TUERCA	NUT
ARI.76	RESISTENCIA 4500W 230V	RESISTANCE 4500W 230V
ARI.95	TAPON ASTA LAVADO	WASHING ARM CAP
ARI.96	TAPON GIRATORIO ACLARADO	CLEAR REVOLVING ARM CAP
ARI.98	RACOR 2 VIAS	2 WAYS FITTING
ARI.100	RACOR 3 VIAS	3 WAYS FITTING
ARI.112	RACOR ANTICONDENSACION	FITTING
ARI.128	TUERCA PLASTICO	NUT
ARI.129	TOMA PRESION	PRESSURE INTAKE
ARI.153	MANGUITO ASPIRACION	SUCTION SLEEVE
ARI.156	RACOR	FITTING
ARI.162	MANGUITO LAV.SELF GL5/GL7	SELF GL5/GL7 WASHER SLEEVE
ARI.169	DISTRIBUIDOR 3 VIAS	3 WAYS DISTRIBUTOR
ARI.200	SOBRENIVEL	OVERFLOW
ARI.215	RESISTENCIA CUBA 1500W/230V	TANK RESISTANCE 1500W
ARI.220	ABRAZADERA	CLAMP
ARI.221	ABRAZADERA	CLAMP
ARI.222	MUELLE	SPRING
ARI.223	TUBO	PIPE
ARI.251	TUERCA CAMARA PRESOSTATICA	NUT
ARI.252	CAMARA PRESOSTATICA	PRESSURE SWITCH CHAMBER
ARI.259	RACOR	FITTING
ARI.275	JUNTA	GASKET
ARI.276	TAP" N	CAP
ARI.278	EJE	ROD
ARI.279	ADAPTADOR	ADAPTOR
ARI.280	EJE	ROD
ARI.281	MANGUITO	SLEEVE
C...19	JUNTA ALIMENTARIA	ALIMENTARY GASKET
H31014	TORICA CIERRE	CLOSING RING
V...5	TUBO GOMA 10X16 20 ATM	20ATM 10X17 RUBBER PIPE
V.135	ELECTR.1 VIA SAL.VERTICAL	VERTICAL EXIT 1 WAY SOLEN
V.201	TUBO DESAGÜE 28mm. 1,5mt.	28mm. 1.5mt OUTLET PIPE
V.415	TOMA LAVADORA 1,5M	QUALITY 1.5M INLET W.FLEX
V.448	TUBO PRESOSTATO-METRO 4X6	4X6 PRE-SWITCH INLET PIPE
V.815	TOMA LAVADORA 2 METROS	2 MT.INLET WATER FLEXIBLE
V.825	TOMA LAVADORA 1.5 "ECO"	"ECO"1.5M INLET WA.FLEXIB
V.848	TOMA LAVADORA 1.5M INOX	INOX 1.5M INLET WATER FL.
V.849	TOMA LAV.INOX 2MT.3/4X3/4	INOX 2MT.INLET WATER FLE.

REF.	DESCRIPCIÓN	DESCRIPTION
ARI..2	PLACA RESISTENCIA	RESISTANCE PLATE
ARI..3	TORICA RESISTENCIA GOMA	RESISTANCE RUBBER RING
ARI.14	DOSIFICADOR ABRILLANTADOR	RINSE AID DOSIMETER
ARI.15	TORICA GOMA	RUBBER RING
ARI.22	DIFUSOR ACLARADO INOX	INOX CLEAR DIFFUSER
ARI.26	TORICA GOMA	RUBBER RING
ARI.30	TUERCA DESAGÜE	INLET NUT
ARI.34	JUNTA PLANA GOMA	FLAT RUBBER GASKET
ARI.36	CODO DESAGÜE	DRAIN ELBOW
ARI.52	TERMOST. BIMETALICO 105°	105° BIMETALLIC THERMOSTAT
ARI.60	TERMOSTATO 90°	90° THERMOSTAT
ARI.68	TUERCA	NUT
ARI.76	RESISTENCIA 4500W 230V	RESISTANCE 4500W 230V
ARI.77	RESISTENCIA 6000W 230V	RESISTANCE 6000W 230V
ARI.95	TAPON ASTA LAVADO	WASHING ARM CAP
ARI.96	TAPON GIRATORIO ACLARADO	CLEAR REVOLVING ARM CAP
ARI101	RACOR TIRANTE	DRAWER FITTING
ARI128	TUERCA PLASTICO	NUT
ARI129	TOMA PRESION	PRESSURE INTAKE
ARI169	DISTRIBUIDOR 3 VIAS	3 WAYS DISTRIBUTOR
ARI204	ARANDELA INOX	INOX WASHER
ARI205	JUNTA TEFLON	TEFLON GASKET
ARI206	CASQUILLO	CAP
ARI207	EJE	ROD
ARI211	ESFERA PLASTICO	SPHERE
ARI212	JUNTA GOMA	RUBBER GASKET
ARI213	DISTRIBUIDOR	DISTRIBUTOR
ARI214	MICROINTERRUPTOR	MICROSWITCH
ARI217	TUERCA VALVULA	VALVE NUT
ARI218	TAPA	LID
ARI222	MUELLE	SPRING
ARI232	RACOR LAVADO	WASHING FITTING
ARI233	CASQUILLO TEFLON	TEFLON CAP
ARI234	PERNO INOX	INOX BOLT
ARI257	RESISTENCIA CUBA 1500W	TANK RESISTANCE 1500W
ARI275	JUNTA	GASKET
ARI289	REBOSADERO	OVERFLOW
ARI290	MANGUITO	SLEEVE
C...19	JUNTA ALIMENTARIA	ALIMENTARY GASKET
H31014	TORICA CIERRE	CLOSING RING
V...5	TUBO GOMA 10X16 20 ATM	20ATM 10X17 RUBBER PIPE
V.135	ELECTR.1 VIA SAL.VERTICAL	VERTICAL EXIT 1 WAY SOLEN
V.201	TUBO DESAG-E 28mm. 1,5mt.	28mm. 1.5mt OUTLET PIPE
V.415	TOMA LAVADORA 1,5M	QUALITY 1.5M.INLET W.FLEX
V.815	TOMA LAVADORA 2 METROS	2 MT.INLET WATER FLEXIBLE
V.825	TOMA LAVADORA 1.5 "ECO"	"ECO"1.5M INLET WA.FLEXIB
V.848	TOMA LAVADORA 1.5M INOX	INOX 1.5M INLET WATER FL.
V.849	TOMA LAV.INOX 2MT.3/4X3/4	INOX 2MT.INLET WATER FLE.

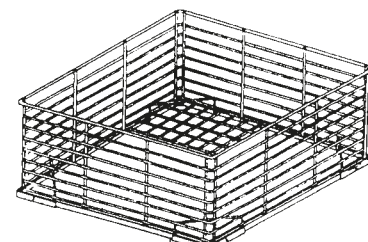


Cestos ■ Baskets

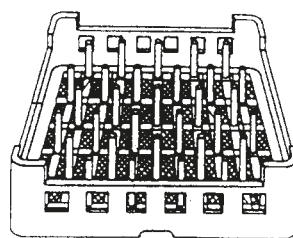
REF.	DESCRIPCIÓN	DESCRIPTION
DH.460	CESTO CUADRO PLATOS 37X37	37X37 DISH BASKET
LAV902	CESTO VASOS 38X38	38X38 GLASSES BASKET
LAV905	CESTO VASOS 50x50	50X50 GLASSES BASKET
LAV907	CESTO PLATOS 50x50	50X50 DISH BASKET
V...29	CESTO CUADRO PLATOS 40x40	40X40 SQUARE PLATE BASKET
V...32	CESTO CUCHARAS PLASTICO	PLASTIC SPOON BASKET
V..173	INSERTO PLATOS 30CMT.	30CMT DISHES INSERT
V..175	INSERTO PLATOS 42CMT.	42CMT DISHES INSERT
V..526	CESTO CUCHARAS CUADRADO	SQUARE SPOON BASKET
V..610	CANTONERA CESTO CUADRADO	BASKET SQUARE CORNERPIECE
V..964	INSERTO PLATOS 36cm	36cm DISHES INSERT
V.1250	CESTA VASOS 50X50	50X50 GLASSES RACK
V.1252	CEST.PLATOS-BANDEJA 50X50	PLATES AND TRAYS RACK
WL3510	CESTO CUADRO VASOS 36x36	36X36 GLASSES BASKET
WL3511	CESTO CUADRO VASOS 40x40	40X40 GLASSES BASKET
WL3512	CESTO CUADRO VASOS 45x45	45X45 GLASSES BASKET
WL3520	CESTO CUADRO PLATOS 45x45	45X45 DISH BASKET



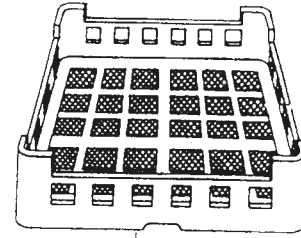
DH.460 (37x37)
V.29 (40x40)
WL.3520 (45x45)
LAV.907 (50x50)



WL.3510 (36x36)
LAV.902 (38x38)
WL.3511 (40x40)
WL.3512 (45x45)
LAV.905 (50x50)

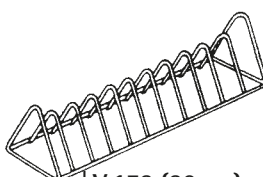


V.1252 (50x50)

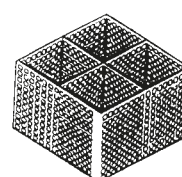


V.1250 (50x50)

GAMA COMPLETA
COMPLET RANGE
PAG. 34



V.173 (30 cm)
V.175 (42 cm)
V.964 (36 cm)



V.526



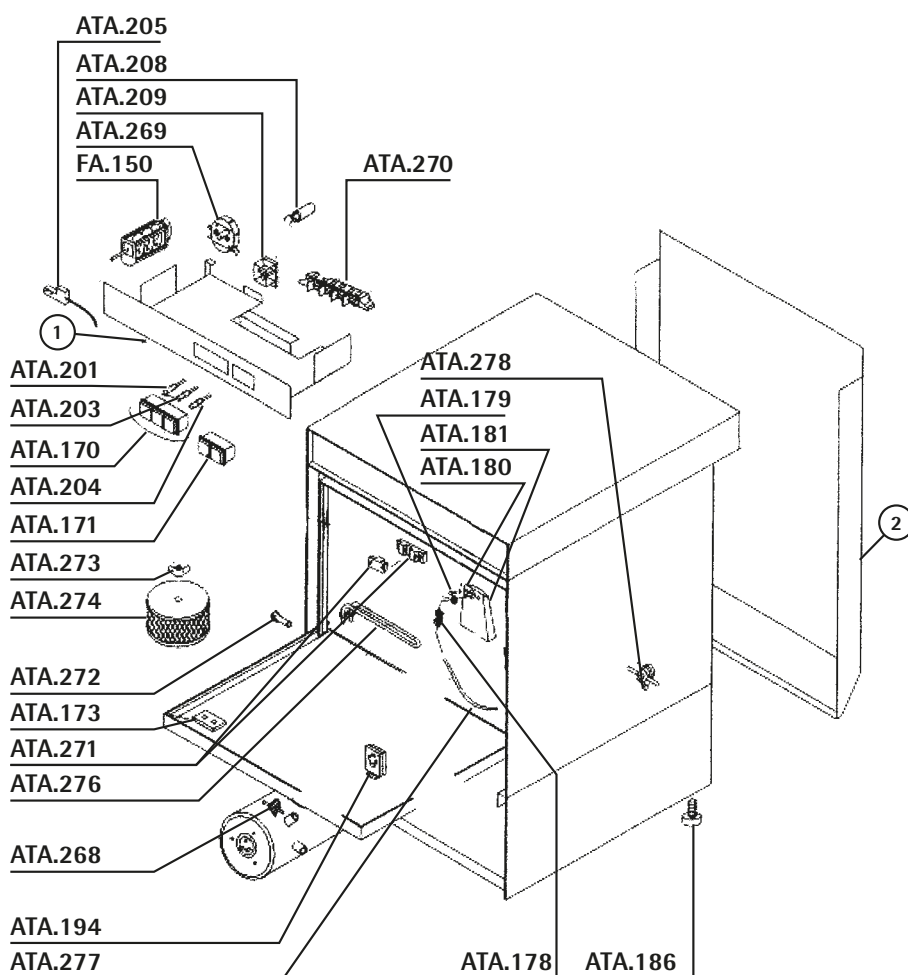
V.32



V.610

Componentes eléctricos AL 03 (ATA 1)	(ATA 1) AL 03 Electric components	386
Lavado / Aclarado AL 03 (ATA 1)	(ATA 1) AL 03 Rinse / Wash	387
Componentes eléctricos AL 09 (ATA 2)	(ATA 2) AL 09 Electric components	388
Lavado / Aclarado AL 09 (ATA 2)	(ATA 2) AL 09 Rinse/ Wash	389
Calderín AL 09 (ATA 2)	(ATA 2) AL 09 Boiler	390
Componentes eléctricos AL 55 - AL 55PS (ATA 3 - ATA 4)	(ATA 3 - ATA 4) AL 55 - AL 55PS Electric components	391
Lavado / Aclarado AL 55PS- AL 55 (ATA 3 - ATA 4)	(ATA 3 - ATA 4) AL 55PS - AL 55 Rinse / Wash	392
Componentes eléctricos / Carrocería AL45 (ATA 8)	(ATA 8) AL 45 Bodywork / Electric components	393
Lavado / Aclarado / Calderín / Resistencia / Motor AL 45 (ATA 8)	(ATA 8) AL 45 Motor / Resistance / Boiler / Rinse / Wash	394
Componentes eléctricos / Carrocería AL 45 (ATA 9)	(ATA 9) AL 45E Bodywork / Electric components	395
Lavado / Aclarado / Calderín / Resistencia / Motor AL 45E (ATA 9)	(ATA 9) AL 45E Motor / Resistance / Boiler / Rinse / Wash	396
Componentes eléctricos / Carrocería AF 610 (ATA 12)	(ATA 12) AF 610 Bodywork / Electric components	397
Lavado / Aclarado AF 610 (ATA 12)	(ATA 12) AF 610 Rinse / Wash	398
Calderín / Dosificador abrillantador AF 610 (ATA 12)	(ATA 12) AF 610 Rinse aid / Boiler	399
Componentes eléctricos / Carrocería AF 61E (ATA 13)	(ATA 13) AF 61E Bodywork / Electric components	400
Lavado / Aclarado / Motor / Calderín / Resistencia AF 61E (ATA 13)	(ATA 13) AF 61E Resistance / Boiler / Motor / Rinse / Wash	401
Componentes eléctricos AT 95 (ATA 5)	(ATA 5) AT 95 Electric components	402
Lavado / Aclarado AT 95 (ATA 5)	(ATA 5) AT 95 Rinse / Wash	403
Componentes eléctricos / Carrocería AT 105E (ATA 6)	(ATA 6) AT 105E Bodywork / Electric components	404
Lavado / Aclarado / Motor / Calderín / Resistencia AT 105E (ATA 6)	(ATA 6) AT 105E Resistance / Boiler / Motor / Rinse / Wash	405
Carrocería / Componentes eléctricos ALP 42 (ATA10)	(ATA 10) ALP 42 Electric components / Bodywork	406
Lavado / Aclarado / Motor / Calderín / Resistencia ALP 42 (ATA 10)	(ATA 10) ALP 42 Resistance / Boiler / Motor / Rinse / Wash	407
Carrocería / Componentes eléctricos ALP 44 (ATA 11)	(ATA 11) ALP 44 Electric components / Bodywork	408
Lavado / Aclarado / Motor / Calderín / Resistencia ALP 44 (ATA 11)	(ATA 11) ALP 44 Resistance / Boiler / Motor / Rinse / Wash	409
Componentes eléctricos / Carrocería ATR 75 (ATA 14)	(ATA 14) ATR 75 Bodywork / Electric components	410
Lavado / Aclarado / Motor / Calderín / Resistencia ATR 75 (ATA 14)	(ATA 14) ATR 75 Resistance / Boiler / Motor / Rinse / Wash	411
Motores y accesorios AL 03 - AL 09 - AL 55 - AL 55PS - AT 95 (ATA 1-2-3-4-5)	(ATA 1-2-3-4-5) AL 03 - AL 09 - AL 55 - AL 55PS - AT 95 Motors / Accessories	412
Motores resto modelos	Other models motors	413
Cestos	Baskets	414

Componentes eléctricos AL 03 (ATA 1) ■ (ATA 1) AL 03 Electric components

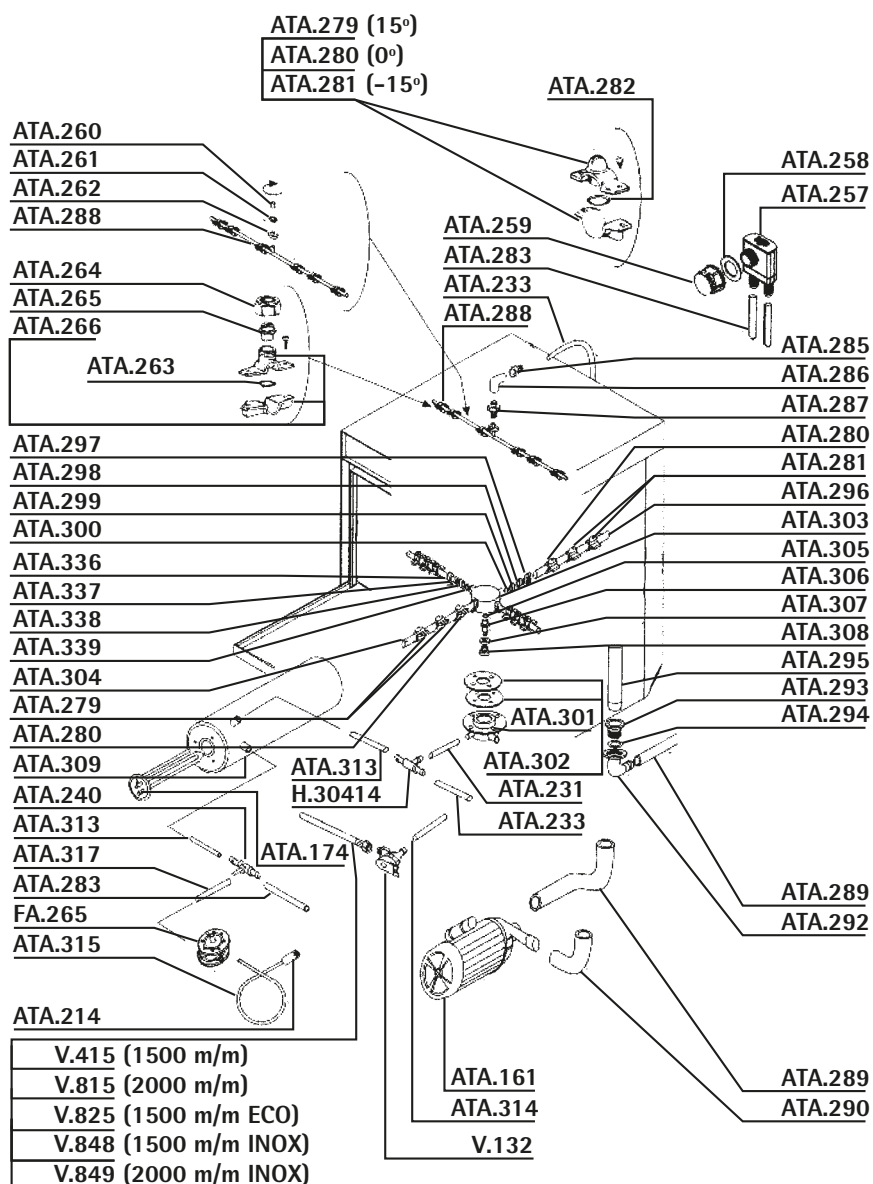


REF.	DESCRIPCIÓN	DESCRIPTION
ATA170	CAJA INTERRUPTORES	SWITCH BOX
ATA171	CAJA INTERRUPTORES	SWITCH BOX
ATA173	PLACA	PLATE
ATA178	MUELLE	SPRING
ATA179	TORICA	RING
ATA180	JUNTA	GASKET
ATA181	CAMARA PRESOSTATICA	PRESSURE SWITCH CHAMBER
ATA186	PATA	FOOT
ATA194	TERMOSTATO 90°C	THERMOSTAT 90°C
ATA201	PILOTO NARANJA	ORANGE PILOT
ATA203	PILOTO AZUL	BLUE PILOT
ATA204	PILOTO	PILOT
ATA205	MICROINTERRUPTOR	MICROSWITCH
ATA208	FILTRO	FILTER
ATA209	RELE	RELAY
ATA268	TERMOSTATO	THERMOSTAT
ATA269	PRESOSTATO 75/35	PRESSURE SWITCH 75/35
ATA270	CONECTOR	CONNECTOR
ATA271	CIERRE PUERTA	CLOSING DOOR
ATA272	PASADOR	PIN
ATA273	TUERCA	NUT
ATA274	FILTRO	FILTER
ATA276	RESIS CUBA 1500W	RESIS. TANK 1500W
ATA277	TUBO	PIPE
ATA278	TERMOSTATO DE CONTACTO	CONTACT THERMOSTAT
FA.150	PROGRAMADOR 3 MICROS 120S	3 TOOTH 120S TIMER

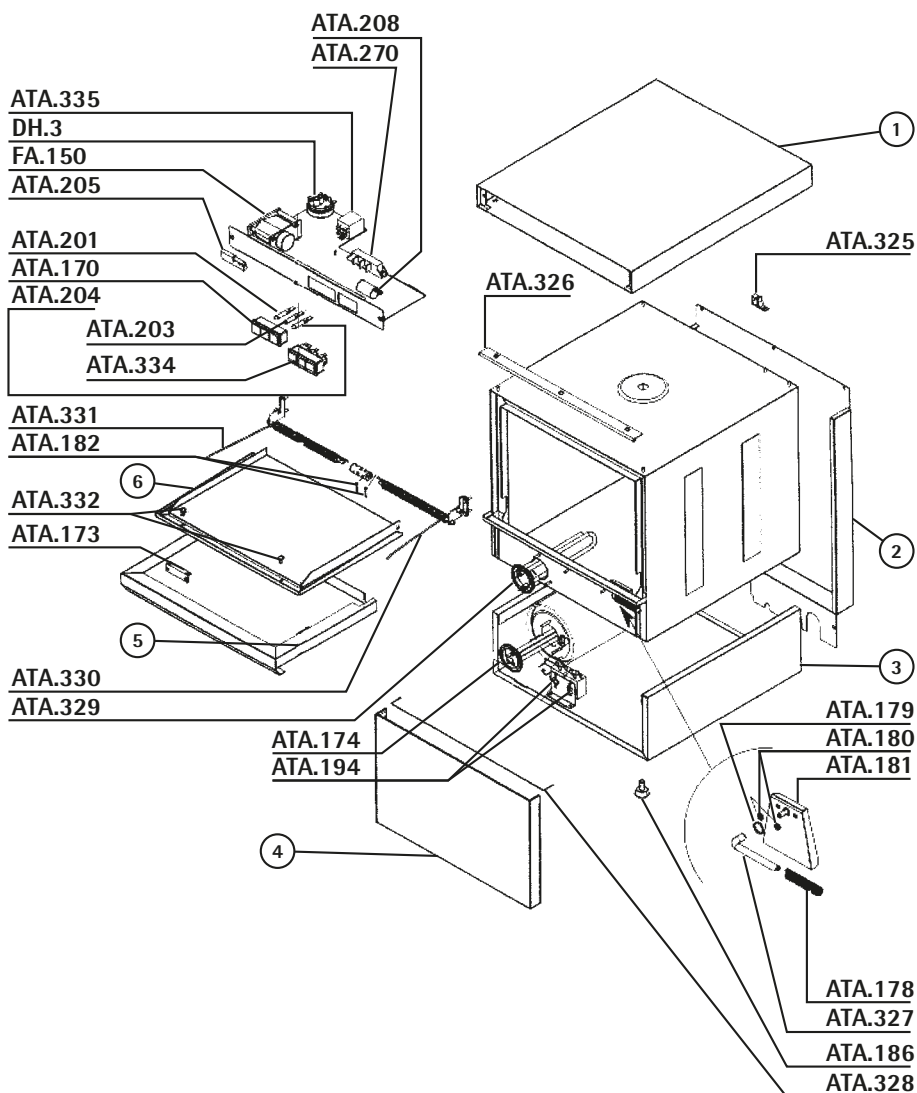
Order our free DVD, include all ours catalogues. More than 50.000 codes.

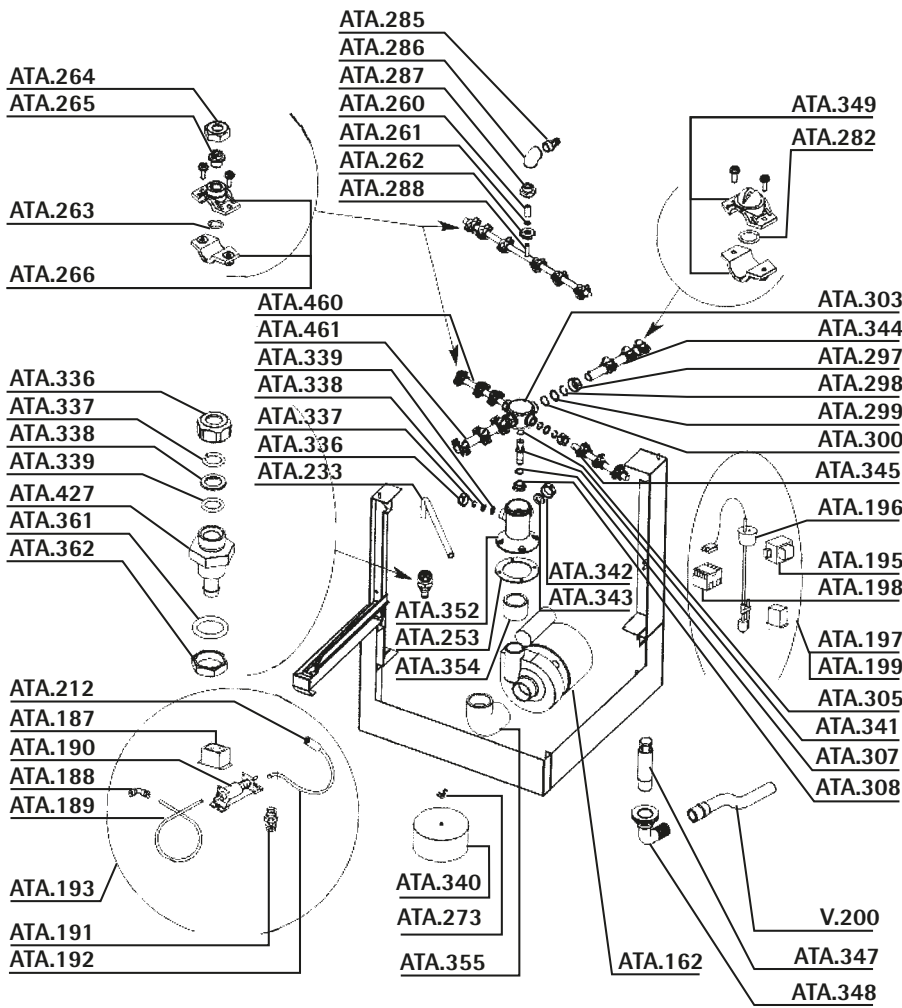


REF.	DESCRIPCIÓN	DESCRIPTION
ATA161	MOTOR COMPLETO ATA..1	COMPLET MOTOR
ATA174	RESIS CALDERIN 2500W/220V	RESIS 2500W/220V
ATA214	FILTRO	FILTER
ATA231	TUBO	PIPE
ATA233	TUBO	PIPE
ATA240	T EMPALME	T ASSEMBLY
ATA257	VALVULA	VALVE
ATA258	JUNTA	GASKET
ATA259	TAPON VALVULA	COVER VALVE
ATA260	PERNO TUERCA	BOLT NUT
ATA261	JUNTA	GASKET
ATA262	TUERCA	NUT
ATA263	JUNTA	GASKET
ATA264	TUERCA	NUT
ATA265	ROCIADOR	SPRAY
ATA266	ABRAZADERA ACLARADO	RINSE CLAMP
ATA279	ABRAZADERA	CLAMP
ATA280	ABRZDERA ACLARADO INCLIN. 0°	RINSE CLAMP 0°
ATA281	ABRZDERA ACLARADO INCLIN -15°	RINSE CLAMP -15°
ATA282	JUNTA	GASKET
ATA283	TUBO	PIPE
ATA285	RACOR	FITTING
ATA286	CODO	ELBOW
ATA287	RACOR	FITTING
ATA288	BRAZO ACLARADO	GIRATOR WASH ARM
ATA289	TUBO	PIPE
ATA290	TUBO	PIPE
ATA292	CODO	ELBOW
ATA293	RACOR	FITTING
ATA294	JUNTA	GASKET
ATA295	REBOSADERO	OVERFLOW
ATA296	TUBO ASTA	BRAS PIPE
ATA297	ARANDELA 3/4" GAS	3/4" GAS WASHER
ATA298	ANILLO D = 18 X 3	RING D= 18 X 3
ATA299	ARANDELA 3/4" GAS	3/4" GAS WASHER
ATA300	JUNTA	GASKET
ATA301	COLECTOR	COLLECTOR
ATA302	JUNTA	GASKET
ATA303	CRUZ GIRATORIO	GIRATORY CROSSHEAD
ATA304	TUBO ASTA	BRAS PIPE
ATA305	PASTILLA INOX	INOX PASTILLE
ATA306	SOPORTE	SUPPORT
ATA307	ADAPTADOR	ADAPTOR
ATA308	TUERCA	NUT
ATA309	CALDERIN ATA..1	BOILER
ATA313	TUBO	PIPE
ATA315	TUBO	PIPE
ATA317	TUBO	PIPE
ATA336	TUERCA	NUT
ATA337	ANILLO	RING
ATA338	ARANDELA	WASHER
ATA339	JUNTA	GASKET
FA.265	DOSF.ABRILL.BAJA PRESION	LOW PRESSURE RINSE AID DOS.
H30414	RACOR EMPALME	UNION FITTING
V..132	ELECTROVAL.1 VIA LAV.220V	WASH 1 WAY 220V SOLENOID
V..415	TOMA LAVADORA 1.5M	QUALITY 1.5M.INLET W.FLEX
V..815	TOMA LAVADORA 2 METROS	2 MT.INLET WATER FLEXIBLE
V..825	TOMA LAVADORA 1.5 "ECO"	"ECO"1.5M INLET WA.FLEXIB
V..848	TOMA LAVADORA 1.5M INOX	INOX 1.5M INLET WATER FL.



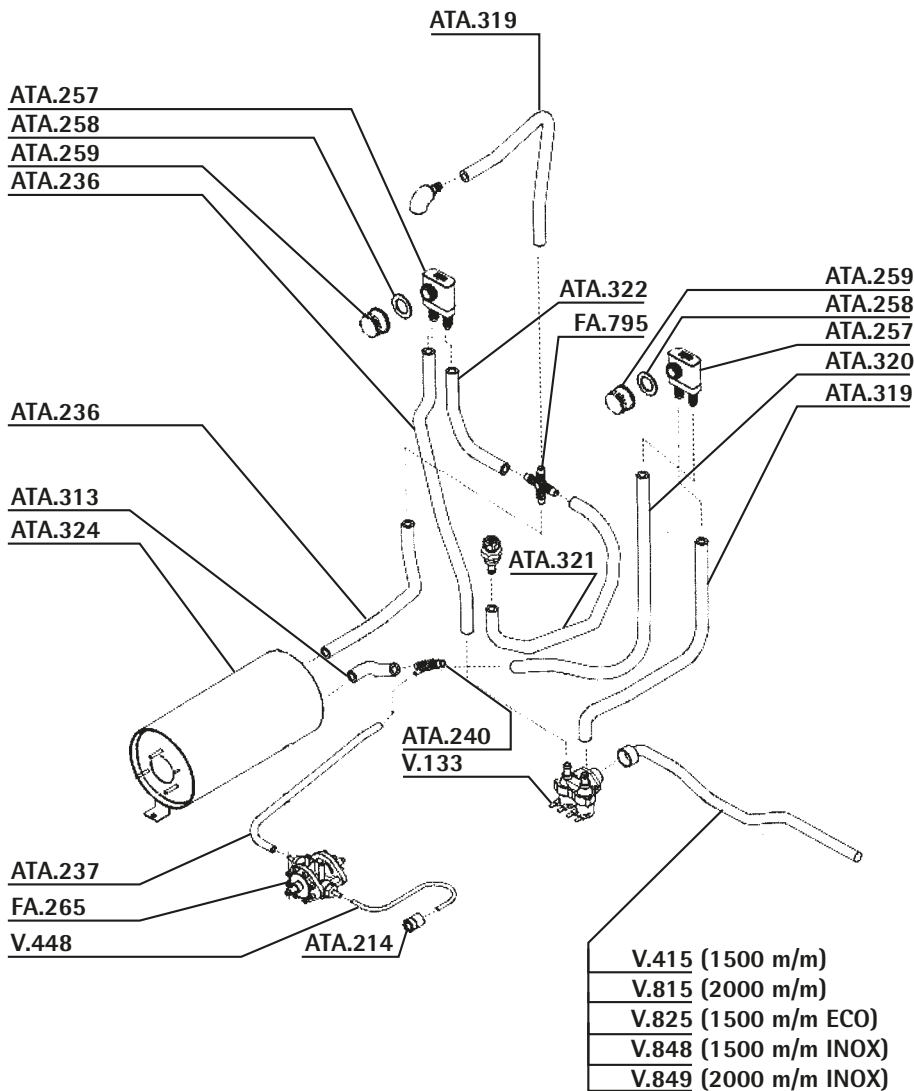
REF.	DESCRIPCIÓN	DESCRIPTION
ATA170	CAJA INTERRUPTORES	SWITCH BOX
ATA173	PLACA	PLATE
ATA174	RESIS CALDERIN 2500W/220V	RESIS 2500W/220V
ATA178	MUELLE	SPRING
ATA179	TORICA	RING
ATA180	JUNTA	GASKET
ATA181	CAMARA PRESOSTATICA	PRESSURE SWITCH CHAMBER
ATA182	PASADOR	PIN
ATA186	PATA	FOOT
ATA194	TERMOSTATO 90°C	THERMOSTAT 90°C
ATA201	PILOTO NARANJA	ORANGE PILOT
ATA203	PILOTO AZUL	BLUE PILOT
ATA204	PILOTO	PILOT
ATA205	MICROINTERRUPTOR	MICROSWITCH
ATA208	FILTRO	FILTER
ATA270	CONECTOR	CONECTOR
ATA325	SOPORTE	SUPPORT
ATA326	JUNTA PUERTA	DOOR SEAL
ATA327	TUBO	PIPE
ATA328	JUNTA	GASKET
ATA329	RESIS. 1500W	RESIS 1500W
ATA330	EJE	ROD
ATA331	MUELLE	SPRING
ATA332	TAPON PLASTICO	PLASTIC CAP
ATA334	BOTONERA PROGRAMACION	PROGRAM KEYBOARD
ATA335	RELE	RELAY
DH...3	PRESOSTATO SAL	55/30 HORIZ.PRESS.SWITCH
FA.150	PROGRAMADOR 3 MICROS 120S	3 TOOTH 120S TIMER





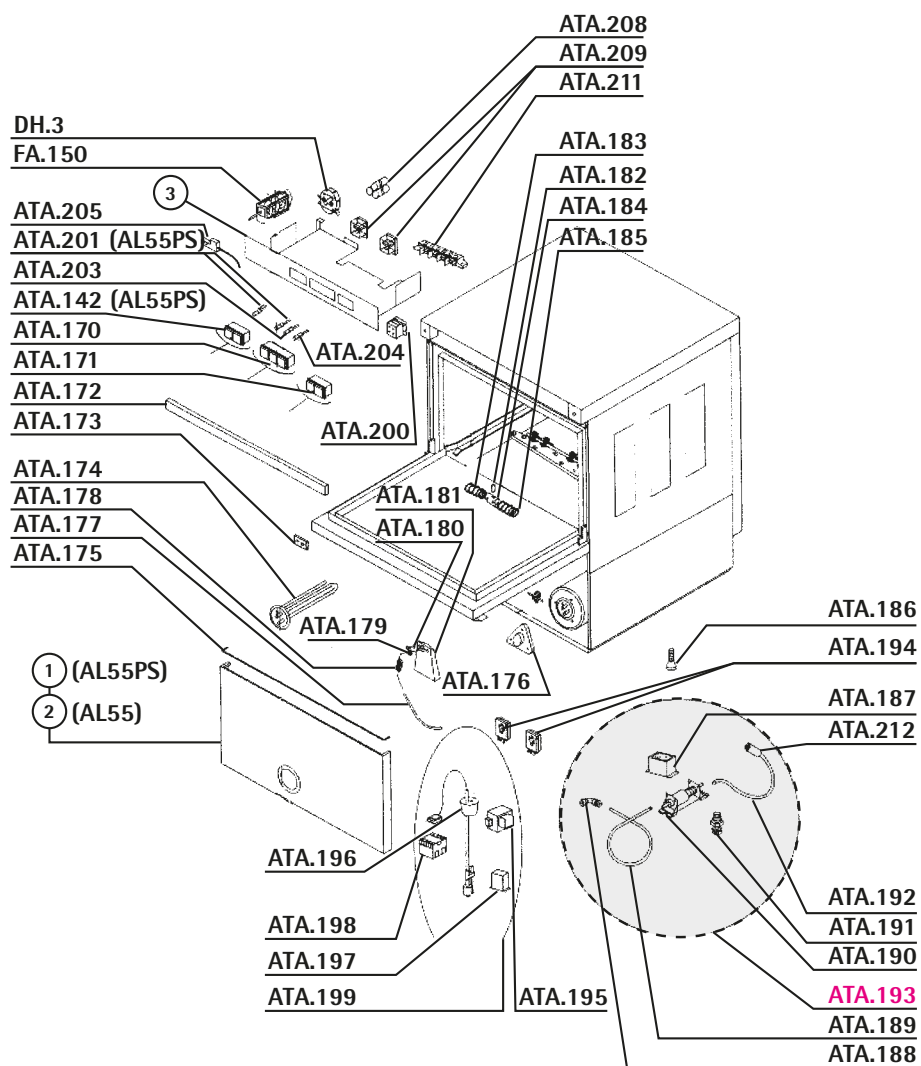
REF.	DESCRIPCIÓN	DESCRIPTION
ATA162	MOTOR COMPLETO	COMPLET MOTOR
ATA187	TRANSFORMADOR	TRANSFORMER
ATA188	CODO	ELBOW
ATA189	TUBO	PIPE
ATA190	BOMBA DOSIFICADOR	POMPE
ATA191	ESPARRAGO DOBLE	HEADLESS SCREW
ATA192	TUBO	PIPE
ATA193	CONJUNTO BOMBA	POMPE WHOLE
ATA195	TRANSFORMADOR	TRANSFORMER
ATA196	SENSOR	SENSOR
ATA197	ALARMA	ALARM
ATA198	CONTACTOR	CONTACTOR
ATA199	CJTO DETECTOR FALTA DETERGENTE	DETERGENT DETECTOR LEVEL WHOLE
ATA212	FILTRO	FILTER
ATA233	TUBO	PIPE
ATA253	JUNTA	GASKET
ATA260	PERNO TUERCA	BOLT NUT
ATA261	JUNTA	GASKET
ATA262	TUERCA	NUT
ATA263	JUNTA	GASKET
ATA264	TUERCA	NUT
ATA265	ROCIADOR	SPRAY
ATA266	ABRAZADERA ACLARADO	RINSE CLAMP
ATA273	TUERCA	NUT
ATA282	JUNTA	GASKET
ATA285	RACOR	FITTING
ATA286	CODO	ELBOW
ATA287	RACOR	FITTING
ATA288	BRAZO ACLARADO	GIRATOR WASH ARM
ATA297	ARANDELA 3/4" GAS	3/4" GAS WASHER
ATA298	ANILLO D = 18 X 3	RING D= 18 X 3
ATA299	ARANDELA 3/4" GAS	3/4" GAS WASHER
ATA300	JUNTA	GASKET
ATA303	CRUZ GIRATORIO	GIRATORY CROSSHEAD
ATA305	PASTILLA INOX	INOX PASTILLE
ATA307	ADAPTADOR	ADAPTOR
ATA308	TUERCA	NUT
ATA336	TUERCA	NUT
ATA337	ANILLO	RING
ATA338	ARANDELA	WASHER
ATA339	JUNTA	GASKET
ATA340	FILTRO	FILTER
ATA341	SOPORTE	SUPPORT
ATA342	TUERCA	NUT
ATA343	JUNTA	GASKET
ATA344	TUBO	PIPE
ATA345	TUBO	PIPE
ATA347	REBOSADERO	OVERFLOW
ATA348	CODO DESAGÜE	DRAIN ELBOW
ATA349	CONJUNTO ROCIADOR	SPRAY
ATA352	SOPORTE DESAGÜE	INLET SUPPORT
ATA354	TUBO ENTRADA	INLET PIPE
ATA355	TUBO SALIDA	OUTLET PIPE
ATA361	JUNTA TORICA	GASKET RING
ATA362	TUERCA	NUT
ATA427	RACOR	FITTING
ATA460	TUBO ASTA ACLARADO	PIPE
ATA461	TUBO ASTA ACLARADO	PIPE
V.200	TUBO DESAGÜE 17mm 1,8mt	17mm. 1.8mt OUTLET PIPE

Calderín AL 09 (ATA 2) ■ (ATA 2) AL 09 Boiler



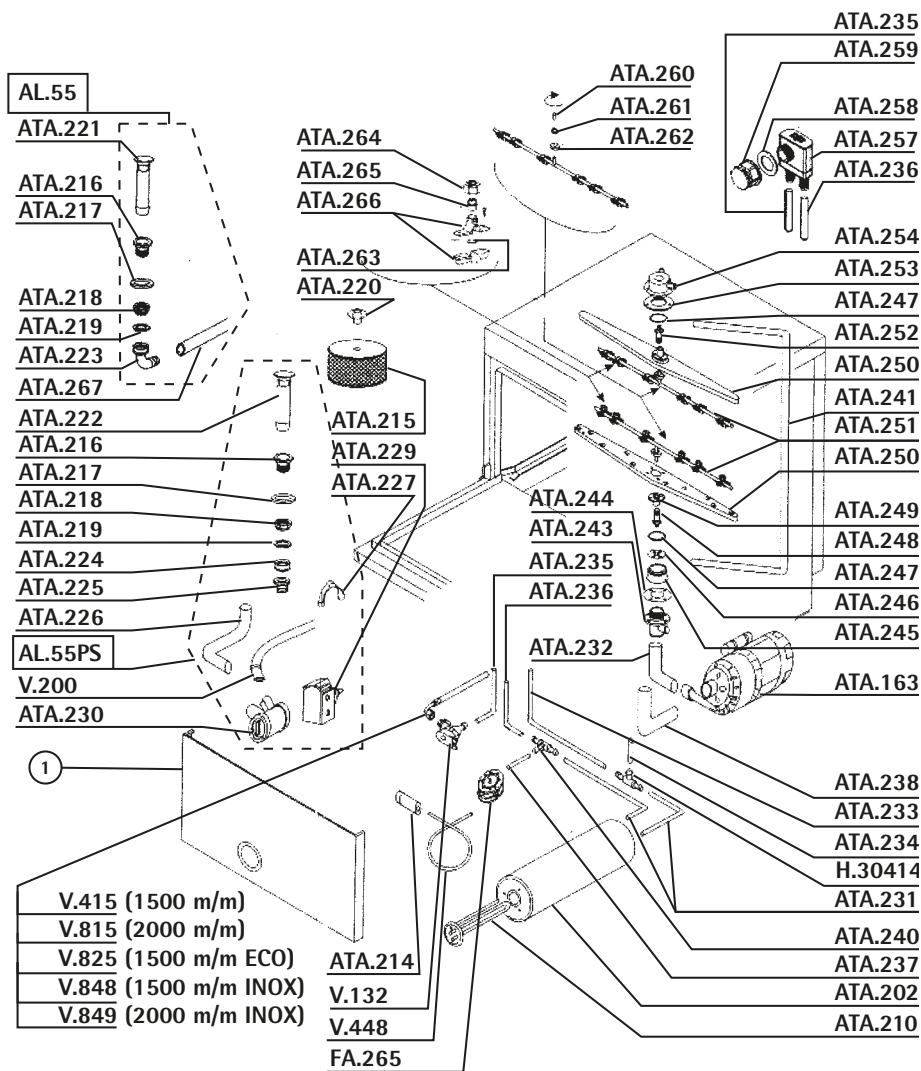
REF.	DESCRIPCIÓN	DESCRIPTION
ATA214	FILTRO	FILTER
ATA236	TUBO	PIPE
ATA237	TUBO	PIPE
ATA240	T EMPALME	T ASSEMBLY
ATA257	VALVULA	VALVE
ATA258	JUNTA	GASKET
ATA259	TAPON VALVULA	COVER VALVE
ATA313	TUBO	PIPE
ATA319	TUBO	PIPE
ATA320	TUBO	PIPE
ATA321	TUBO	PIPE
ATA322	TUBO	PIPE
ATA324	CALDERIN	BOILER
FA.265	DOSF.ABRILL.BAJA PRESION	LOW PRESSURE RINSE AID DOS.
FA.795	RACOR CRUZ	CROSSHEAD FITTING
V.133	ELECTROVAL.2 VIA LAV.220V	WASH 2 WAYS 220V SOLENOID
V.415	TOMA LAVADORA 1,5M	QUALITY 1.5M.INLET W.FLEX
V.448	TUBO PRESOSTATO-METRO 4X6	4X6 PRE.SWITCH INLET PIPE
V.815	TOMA LAVADORA 2 METROS	2.MT.INLET WATER FLEXIBLE
V.825	TOMA LAVADORA 1.5 "ECO"	"ECO"1.5M INLET WA.FLEXIB
V.848	TOMA LAVADORA 1.5M INOX	INOX 1.5M INLET WATER FL.
V.849	TOMA LAV.INOX 2MT.3/4X3/4	INOX 2MT.INLET WATER FLE.

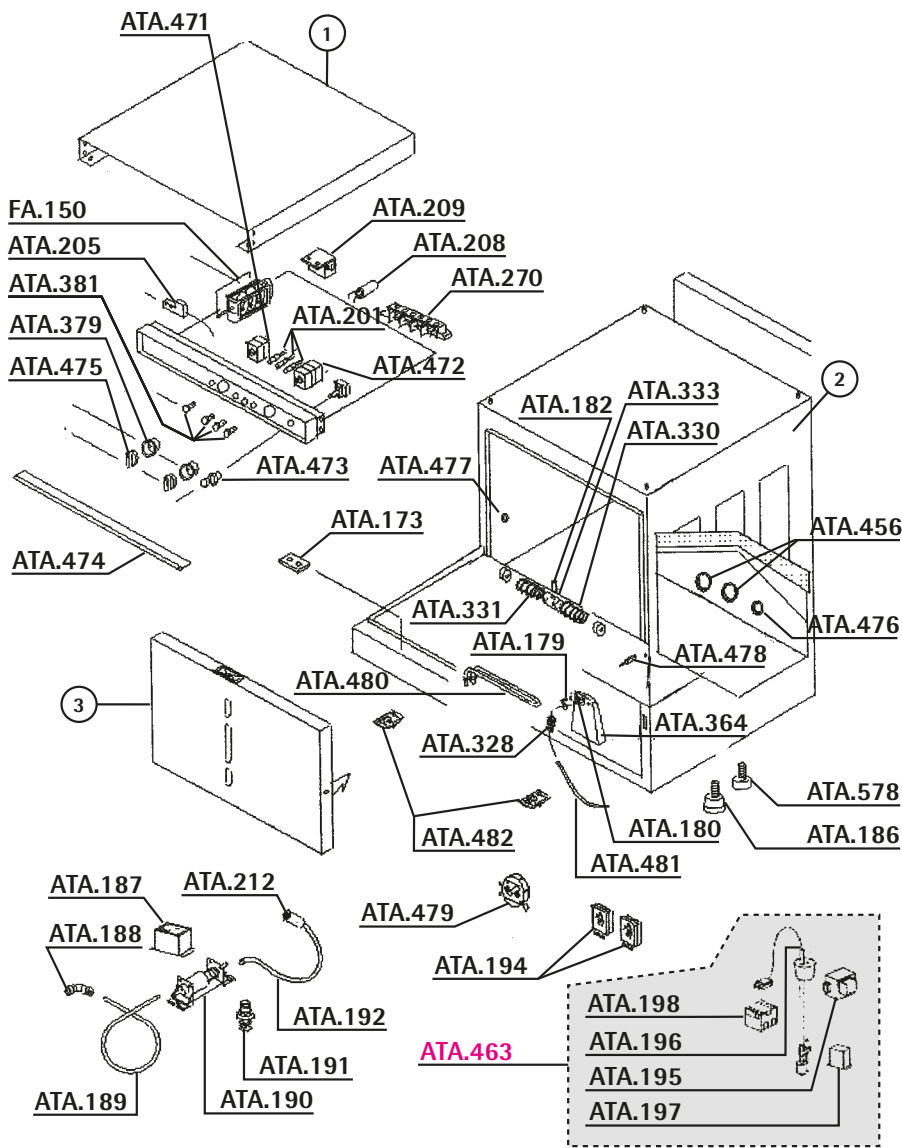
REF.	DESCRIPCIÓN	DESCRIPTION
ATA142	CAJA INTERRUPTORES	SWITCH BOX
ATA170	CAJA INTERRUPTORES	SWITCH BOX
ATA171	CAJA INTERRUPTORES	SWITCH BOX
ATA172	TAPA FRONTAL	LID
ATA173	PLACA	PLATE
ATA174	RESIS CALDERIN 2500W/220V	RESIS 2500W/220V
ATA175	GOMA (1 METRO)	RUBBER (1m)
ATA176	PLETINA	FRAME
ATA177	TUBO 4 METROS	PIPE 4M
ATA178	MUELLE	SPRING
ATA179	TORICA	RING
ATA180	JUNTA	GASKET
ATA181	CAMARA PRESOSTATICA	PRESSURE SWITCH CHAMBER
ATA182	PASADOR	PIN
ATA183	MUELLE	SPRING
ATA184	SOPORTE	SUPPORT
ATA185	MUELLE	SPRING
ATA186	PATA	FOOT
ATA187	TRANSFORMADOR	TRANSFORMER
ATA188	CODO	ELBOW
ATA189	TUBO	PIPE
ATA190	BOMBA DOSIFICADOR	POMPE
ATA191	ESPARRAGO DOBLE	HEADLESS SCREW
ATA192	TUBO	PIPE
ATA193	CONJUNTO BOMBA	POMPE WHOLE
ATA194	TERMOSTATO 90°C	THERMOSTAT 90°C
ATA195	TRANSFORMADOR	TRANSFORMER
ATA196	SENSOR	SENSOR
ATA197	ALARMA	ALARM
ATA198	CONTACTOR	CONTACTOR
ATA199	CJTO DETECTOR FALTA DETERGENTE	DETERGENT DETECTOR WHOLE
ATA200	CONTACTOR	CONTACTOR
ATA201	PILOTO NARANJA	ORANGE PILOT
ATA203	PILOTO AZUL	BLUE PILOT
ATA204	PILOTO	PILOT
ATA205	MICROINTERRUPTOR	MICROSWITCH
ATA208	FILTRO	FILTER
ATA209	RELE	RELAY
ATA211	REGLETA	CONECTOR
ATA212	FILTRO	FILTER
DH...3	PRESOSTATO SAL	55/30 HORIZ.PRESS.SWITCH
FA.150	PROGRAMADOR 120"	120" TIMER



Lavado / Aclarado AL 55PS- AL 55 (ATA 3 - ATA 4) ■ (ATA 3 - ATA 4) AL 55PS - AL 55 Rinse / Wash

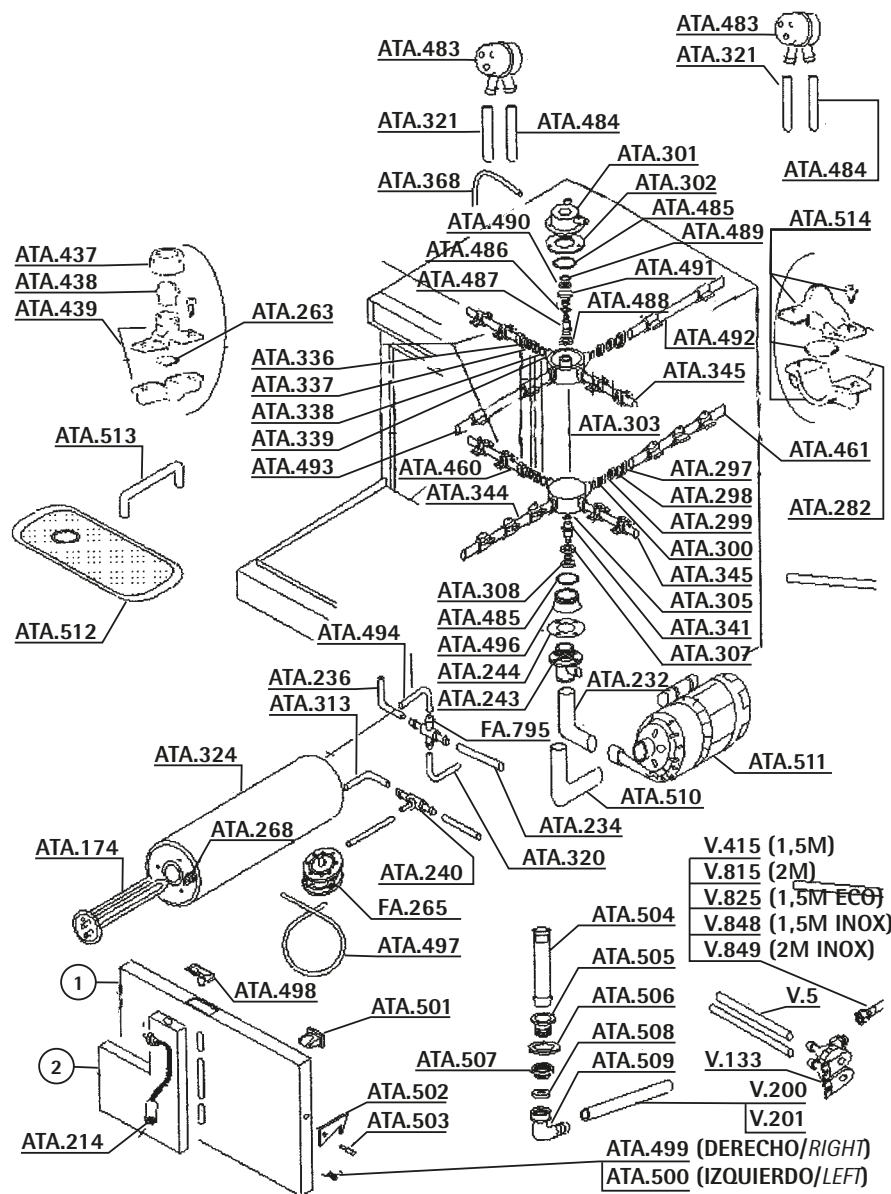
REF.	DESCRIPCIÓN	DESCRIPTION
ATA163	MOTOR COMPLETO	COMPLET MOTOR
ATA202	CALDERIN	BOILER
ATA210	RESIS.CALDERIN 3000W/220V ATA	RESIS. 3000W/220V
ATA214	FILTRO	FILTER
ATA215	FILTRO	FILTER
ATA216	RACOR	FITTING
ATA217	JUNTA	GASKET
ATA218	TUERCA	NUT
ATA219	JUNTA	GASKET
ATA220	TUERCA	NUT
ATA221	SOBRENIVEL	OVERFLOW
ATA222	SOBRENIVEL	OVERFLOW
ATA223	CODO	ELBOW
ATA224	TUERCA	NUT
ATA225	RACOR	FITTING
ATA226	TUBO	PIPE
ATA227	ABRAZADERA	CLAMP
ATA229	BOMBA	PUMP
ATA230	FILTRO BOMBA	FILTER PUMP
ATA231	TUBO	PIPE
ATA232	TUBO	PIPE
ATA233	TUBO	PIPE
ATA234	TUBO	PIPE
ATA235	TUBO	PIPE
ATA236	TUBO	PIPE
ATA237	TUBO	PIPE
ATA238	TUBO	PIPE
ATA240	T EMPALME	T ASSEMBLY
ATA241	TUBO LAVADO	PIPE
ATA243	EJE	ROD
ATA244	JUNTA	GASKET
ATA245	EJE	ROD
ATA246	REDUCTOR	REDUCER
ATA247	JUNTA	GASKET
ATA248	EJE	ROD
ATA249	COJINETE	BALL BEARING
ATA250	GIRANTE LAVADO	WASHING GYRATORY
ATA251	GIRATORIO ACLARADO	RINSE GIRATORY
ATA252	EJE	ROD
ATA253	JUNTA	GASKET
ATA254	COLECTOR	COLLECTOR
ATA257	VALVULA	VALVE
ATA258	JUNTA	GASKET
ATA259	TAPON VALVULA	COVER VALVE
ATA260	PERNO TUERCA	BOLT NUT
ATA261	JUNTA	GASKET
ATA262	TUERCA	NUT
ATA263	JUNTA	GASKET
ATA264	TUERCA	NUT
ATA265	ROCIADOR	SPRAY
ATA266	ABRAZADERA ACLARADO	RINSE CLAMP
ATA267	TUBO	PIPE
FA.265	DOSF.ABRILL.BAJA PRESION	LOW PRESSURE RINSE AID DOS.
H30414	RACOR EMPALME	UNION FITTING
V...132	ELECTROVAL.1 VIA LAV.220V	WASH 1 WAY 220V SOLENOID
V...200	TUBO DESAGÜE 17mm 1,8mt	17mm. 1.8mt OUTLET PIPE
V...415	TOMA LAVADORA 1.5M	QUALITY 1.5M.INLET W.FLEX
V...448	TUBO PRESOSTATO-METRO 4X6	4X6 PRE SWITCH INLET PIPE
V...815	TOMA LAVADORA 2 METROS	2 MT.INLET WATER FLEXIBLE
V...825	TOMA LAVADORA 1.5 "ECO"	"ECO"1.5M INLET WA.FLEXIB
V...848	TOMA LAVADORA 1.5M INOX	INOX 1.5M INLET WATER FL.
V...849	TOMA LAV.INOX 2MT.3/4X3/4	INOX 2MT.INLET WATER FLE.





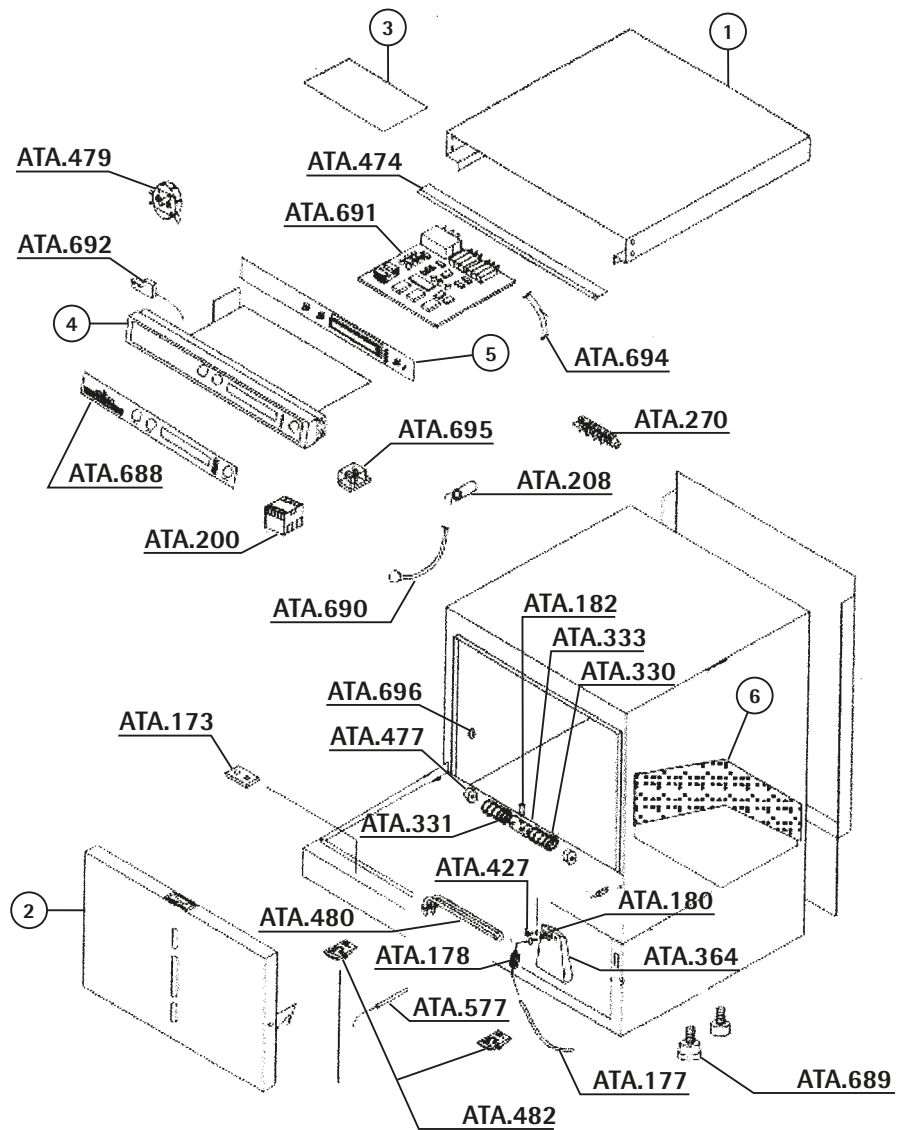
REF.	DESCRIPCIÓN	DESCRIPTION
ATA173	PLACA	PLATE
ATA179	TORICA	RING
ATA180	JUNTA	GASKET
ATA182	PASADOR	PIN
ATA186	PATA	FOOT
ATA187	TRANSFORMADOR	TRANSFORMER
ATA188	CODO	ELBOW
ATA189	TUBO	PIPE
ATA190	BOMBA DOSIFICADOR	POMPE
ATA191	ESPARRAGO DOBLE	HEADLESS SCREW
ATA192	TUBO	PIPE
ATA194	TERMOSTATO 90°C	THERMOSTAT 90°C
ATA195	TRANSFORMADOR	TRANSFORMER
ATA196	SENSOR	SENSOR
ATA197	ALARMA	ALARM
ATA198	CONTACTOR	CONTACTOR
ATA201	PILOTO NARANJA	ORANGE PILOT
ATA205	MICROINTERRUPTOR	MICROSWITCH
ATA208	FILTRO	FILTER
ATA209	RELE	RELAY
ATA212	FILTRO	FILTER
ATA270	CONECTOR	CONNECTOR
ATA328	JUNTA	GASKET
ATA330	EJE	ROD
ATA331	MUELLE	SPRING
ATA333	SOPORTE	SUPPORT
ATA364	CAMARA PRESOSTATICA	PRESSURE SWITCH CHAMBER
ATA379	SOPORTE INTERRUPTOR	SWITCH SUPPORT
ATA381	TAPON PILOTO AMBAR	YELLOW PILOT COVER
ATA456	PASACABLE	WIRINGPIN
ATA463	SONDA DETECCION FALTA DETERGE	PROBE FOR LACK OF DETERGENT
ATA471	INTERRUPTOR	INTERRUPTOR
ATA472	INTERRUPTOR	INTERRUPTOR
ATA473	MANDO	KNOB
ATA474	JUNTA PUERTA	DOOR GASKET
ATA475	MANDO	KNOB
ATA476	PASACABLE	WIRE-INSERT
ATA477	TUBO INOX	INOX PIPE
ATA478	TORNILLO	SCREW
ATA479	PRESOSTATO	PRESSURE SWITCH
ATA480	RESISTENCIA ATA 8/9	RESISTANCE ATA 8/9
ATA481	TUBO	PIPE
ATA482	BANDEJA	TRAY
ATA578	PATA 60x40x10	FOOT 60x40x10
FA.150	PROGRAMADOR 3 MICROS 120S	3 TOOTH 120S TIMER

Lavado / Aclarado / Calderín / Resistencia / Motor AL 45 (ATA 8) ■ (ATA 8) AL 45 Motor / Resistance / Boiler / Rinse / Wash

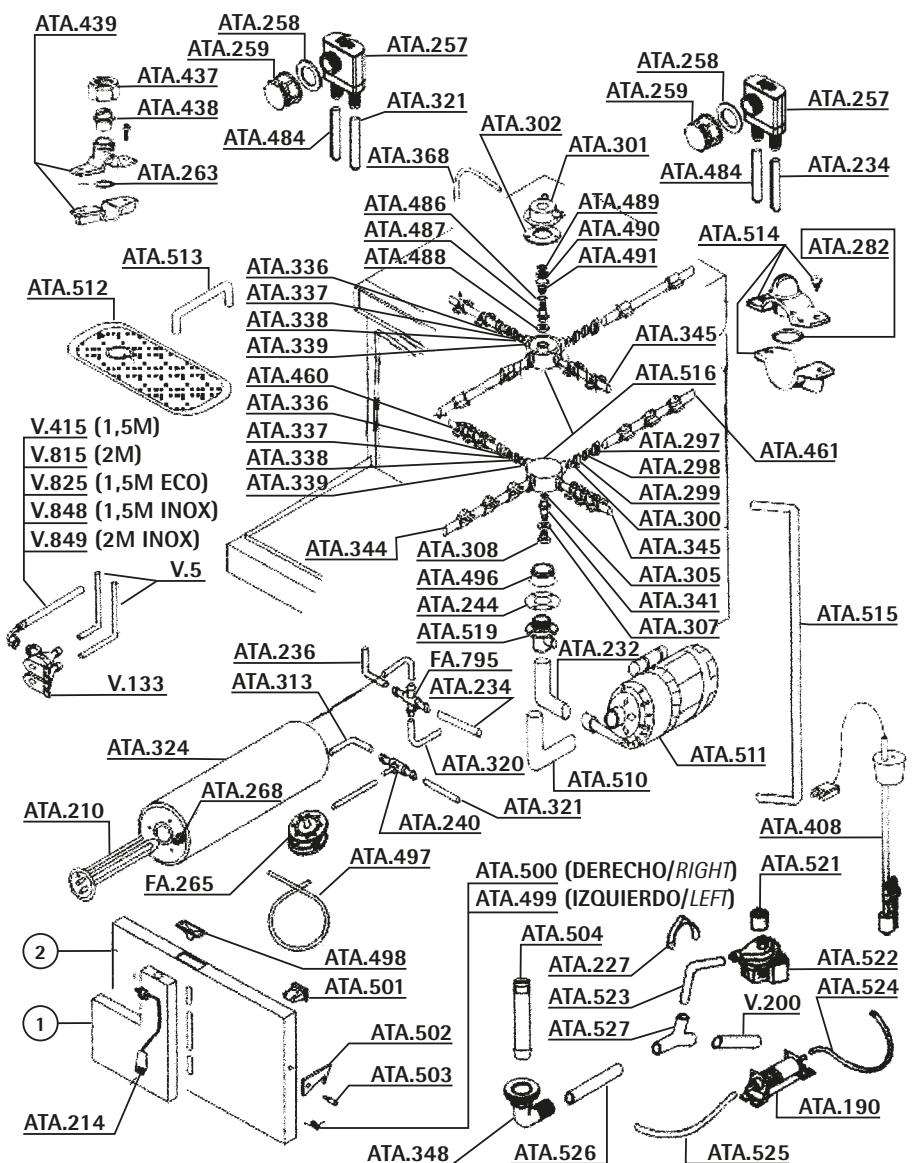


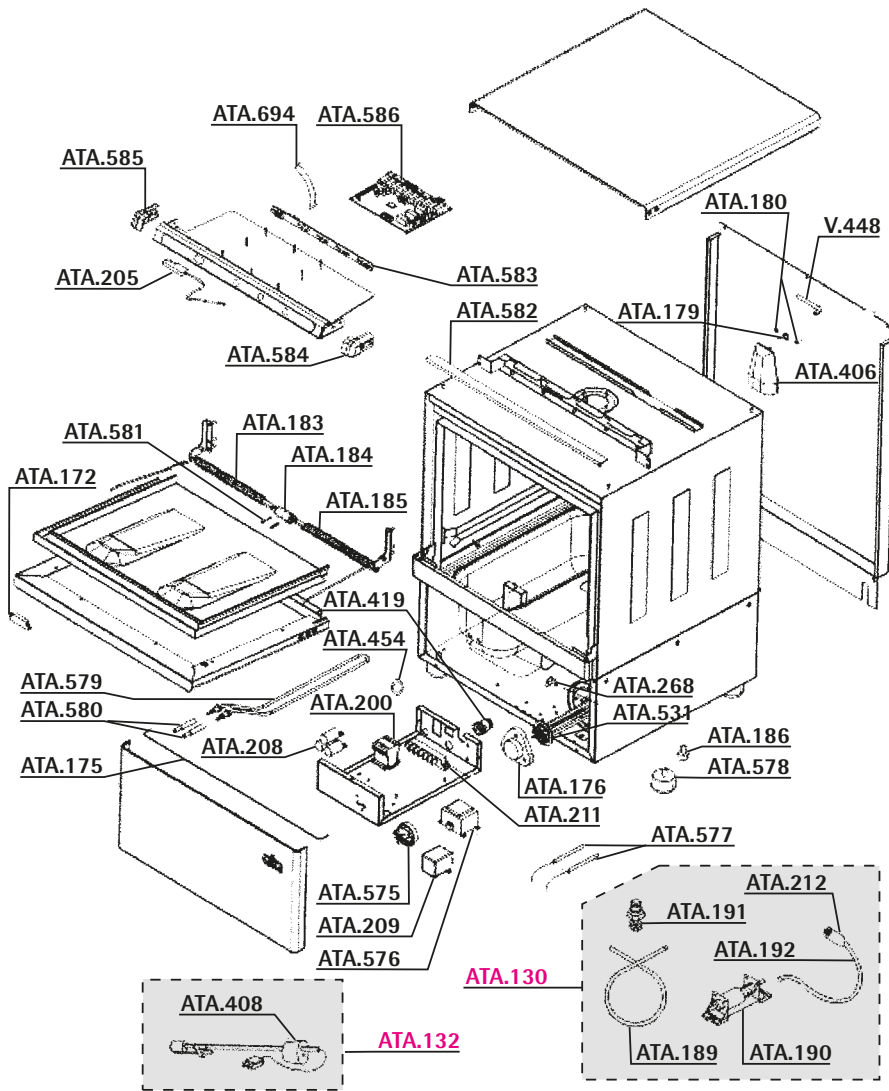
REF.	DESCRIPCIÓN	DESCRIPTION
ATA174	RESIS CALDERIN 2500W/220V	RESIS 2500W/220V
ATA214	FILTRO	FILTER
ATA232	TUBO	PIPE
ATA234	TUBO	PIPE
ATA236	TUBO	PIPE
ATA240	T EMPALME	T ASSEMBLY
ATA243	EJE	ROD
ATA244	JUNTA	GASKET
ATA263	JUNTA	GASKET
ATA268	TERMOSTATO	THERMOSTAT
ATA297	ARANDELA 3/4" GAS	3/4" GAS WASHER
ATA298	ANILLO D = 18 X 3	RING D = 18 X 3
ATA299	ARANDELA 3/4" GAS	3/4" GAS WASHER
ATA300	JUNTA	GASKET
ATA301	COLECTOR	COLLECTOR
ATA302	JUNTA	GASKET
ATA303	CRUZ GIRATORIO	GIRATORY CROSSHEAD
ATA305	PASTILLA INOX	INOX PASTILLE
ATA307	ADAPTADOR	ADAPTOR
ATA308	TUERCA	NUT
ATA313	TUBO	PIPE
ATA320	TUBO	PIPE
ATA321	TUBO	PIPE
ATA324	CALDERIN	BOILER
ATA336	TUERCA	NUT
ATA337	ANILLO	RING
ATA338	ARANDELA	WASHER
ATA339	JUNTA	GASKET
ATA341	SOPORTE	SUPPORT
ATA344	TUBO	PIPE
ATA345	TUBO	PIPE
ATA348	TUBO	PIPE
ATA347	TUERCA ROCIADOR	JET NUT
ATA348	ROMPECHORROS	THREAD CLEAR CLASP
ATA349	BRIDA SURTIDOR ACLARADO	CROSSHEAD FITTING
ATA350	TUBO ASTA ACLARADO	PIPE
ATA351	TUBO ASTA ACLARADO	PIPE
ATA352	VALVULA 2 VIAS	2 WAYS VALVE
ATA353	TUBO	PIPE
ATA354	JUNTA	GASKET
ATA355	JUNTA	GASKET
ATA356	EJE	ROD
ATA357	CASQUILLO	CAP
ATA358	ARANDELA	WASHER
ATA359	CASQUILLO	CAP
ATA360	JUNTA	GASKET
ATA361	TUBO GIRATORIO	GIRATORY PIPE
ATA362	TUBO GIRATORIO	GIRATORY PIPE
ATA363	TUBO	PIPE
ATA364	ADAPTADOR	ADAPTOR
ATA365	TUBO	PIPE
ATA366	CIERRE PUERTA	DOOR CLOSING
ATA367	MUELLE DERECHO	RIGHT SPRING
ATA368	MUELLE IZQUIERDO	LEFT SPRING
ATA369	CAP	CAP
ATA370	GUÍA PUERTA	DOOR GUIDE
ATA371	TORNILLO PUERTA	DOOR SCREW
ATA372	REBOSADERO	OVERFLOW
ATA373	RACOR	FITTING
ATA374	JUNTA	GASKET
ATA375	TUERCA	NUT
ATA376	JUNTA	GASKET
ATA377	CODO	ELBOW
ATA378	CODO	ELBOW
ATA379	MOTOR ATA 8/9	ATA 8/9 MOTOR
ATA380	FILTRO ATA 8	ATA 8 FILTER
ATA381	MANEJA	HANDLE
ATA382	DOSEABRILL.BAJA PRESION	LOW PRESSURE RINSE AID DOS.
ATA383	RACOR CRUZ	CROSSHEAD FITTING
ATA384	TUBO GOMA 10x16 20 ATM	20ATM 10X16 RUBBER PIPE
ATA385	ELECTROVALV 2 VIA LAV.220V	WASH 2 WAYS 220V SOLENOID
ATA386	TUBO DESAGUE 17mm 1,8mt	17mm. 1.8mt OUTLET PIPE
ATA387	TUBO DESAGUE 28mm. 1,5mt.	28mm. 1.5mt OUTLET PIPE
ATA388	TOMA LAVADORA 1.5M	QUALITY 1.5M.INLET W.FLEX
ATA389	TOMA LAVADORA 2 METROS	2.MT.INLET WATER FLEXIBLE
ATA390	TOMA LAVADORA 1.5 "ECO"	"ECO"1.5M INLET WA.FLEXIB
ATA391	TOMA LAVADORA 1.5M INOX	INOX 1.5M INLET WATER FL.
ATA392	TOMA LAV.INOX 2MT.3/4X3/4	INOX 2MT.INLET WATER FLE.

REF.	DESCRIPCIÓN	DESCRIPTION
ATA173	PLACA	PLATE
ATA177	TUBO 4 METROS	PIPE 4M
ATA178	MUELLE	SPRING
ATA180	JUNTA	GASKET
ATA182	PASADOR	PIN
ATA200	CONTACTOR	CONTACTOR
ATA208	FILTRO	FILTER
ATA270	CONECTOR	CONNECTOR
ATA330	EJE	ROD
ATA331	MUELLE	SPRING
ATA333	SOPORTE	SUPPORT
ATA364	CAMARA PRESOSTATICA	PRESSURE SWITCH CHAMBER
ATA427	RACOR	FITTING
ATA474	JUNTA PUERTA	DOOR GASKET
ATA477	TUBO INOX	INOX PIPE
ATA479	PRESOSTATO	PRESSURE SWITCH
ATA480	RESISTENCIA ATA 8/9	RESISTANCE ATA 8/9
ATA482	BANDEJA	TRAY
ATA577	SONDA TERMOSTATO	THERMOSTAT PROBE
ATA688	CARATULA ATA 9	ATA 9 MEMBRANE
ATA689	PATA	FOOT
ATA690	CABLE PROGRAMADOR	TIMER WIRING
ATA691	PLACA ELECTRONICA	CONTROL BOARD
ATA692	MICROINTERRUPTOR	MICROSWITCH
ATA694	CABLE PLACA	PLATE WIRING
ATA695	RELE	RELAY
ATA696	ARANDELA NYLON	NYLON WASHER



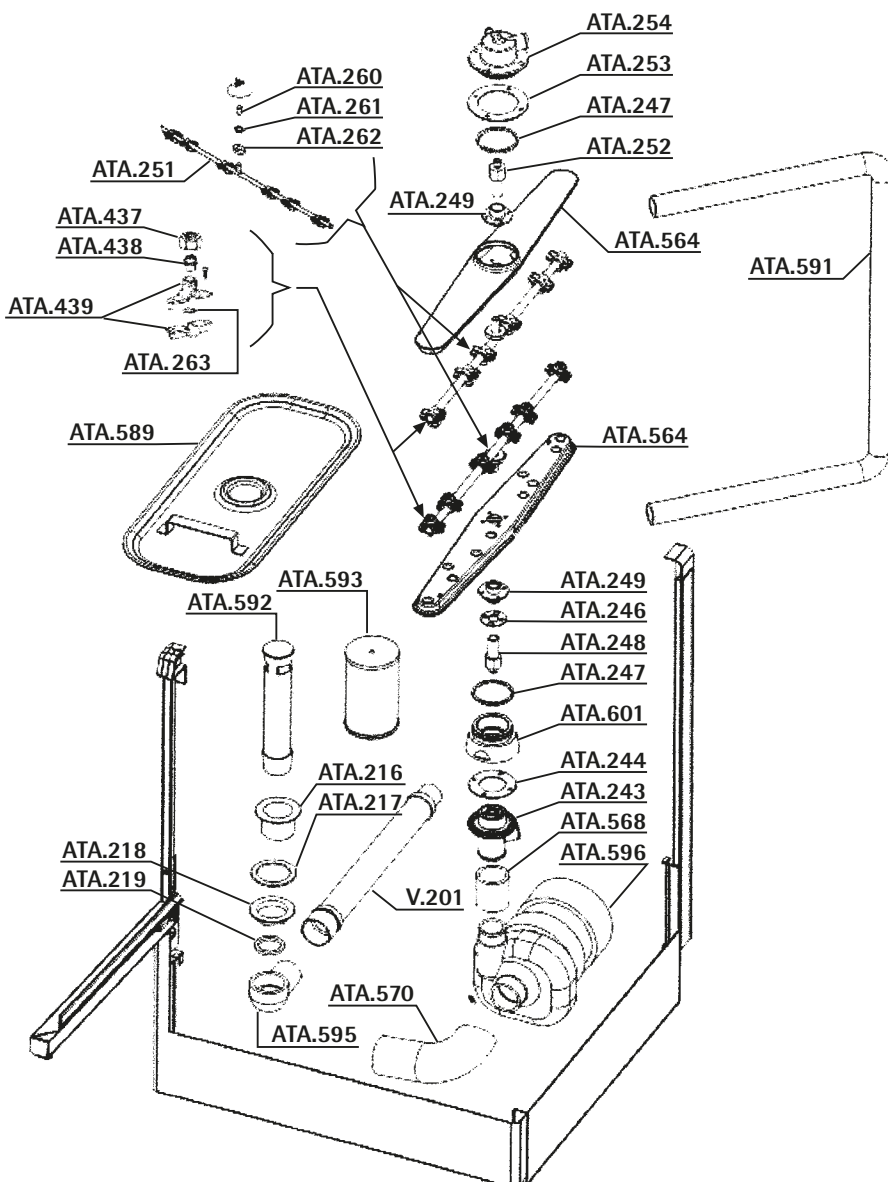
REF.	DESCRIPCIÓN	DESCRIPTION
ATA190	BOMBA DOSIFICADOR	POMPE
ATA210	RESIS. CALDERIN 3000W/220V	RESIS. 3000W/220V
ATA214	FILTRO	FILTER
ATA227	ABRAZADERA	CLAMP
ATA232	TUBO	PIPE
ATA234	TUBO	PIPE
ATA236	TUBO	PIPE
ATA240	T EMPALME	T ASSEMBLY
ATA244	JUNTA	GASKET
ATA257	VALVULA	VALVE
ATA258	JUNTA	GASKET
ATA259	TAPON VALVULA	COVER VALVE
ATA263	JUNTA	GASKET
ATA268	TERMOSTATO	THERMOSTAT
ATA282	JUNTA	GASKET
ATA287	ARANDELA 3/4" GAS	3/4" GAS WASHER
ATA288	ANILLO D = 18 X 3	RING D = 18 X 3
ATA299	ARANDELA 3/4" GAS	3/4" GAS WASHER
ATA300	JUNTA	GASKET
ATA301	COLECTOR	COLLECTOR
ATA302	JUNTA	GASKET
ATA305	PASTILLA INOX	INOX PASTILLE
ATA307	ADAPTADOR	ADAPTOR
ATA308	TUERCA	NUT
ATA313	TUBO	PIPE
ATA320	TUBO	PIPE
ATA321	TUBO	PIPE
ATA324	CALDERIN	BOILER
ATA336	TUERCA	NUT
ATA337	ANILLO	RING
ATA338	ARANDELA	WASHER
ATA339	JUNTA	GASKET
ATA344	SOPORTE	SUPPORT
ATA345	TUBO	PIPE
ATA348	CODO DESAGÜE	DRAIN ELBOW
ATA368	TUBO	PIPE
ATA408	BOYA NIVEL	LEVEL FLOAT
ATA437	TUERCA ROCIADOR	JET NUT
ATA438	ROMPECHORROS	THREAD
ATA439	BRIDA SURTIDOR ACLARADO	CLEAR CLASP
ATA460	TUBO ASTA ACLARADO	PIPE
ATA461	TUBO ASTA ACLARADO	PIPE
ATA484	JUNTA	GASKET
ATA486	EJE	ROD
ATA487	CASQUILLO	CAP
ATA488	ARANDELA	WASHER
ATA489	CASQUILLO	CAP
ATA491	JUNTA	GASKET
ATA496	ADAPTADOR	ADAPTOR
ATA497	TUBO	PIPE
ATA498	CIERRE PUERTA	DOOR CLOSING
ATA499	MUELLE DERECHO	RIGHT SPRING
ATA500	MUELLE IZQUIERDO	LEFT SPRING
ATA501	PIVOTE	CAP
ATA502	GUÍA PUERTA	DOOR GUIDE
ATA503	TORNILLO PUERTA	DOOR SCREW
ATA504	REBOSADERO	OVERFLOW
ATA510	CODO	ELBOW
ATA511	MOTOR ATA 8/9	ATA 8/9 MOTOR
ATA512	FILTRO ATA 8	ATA 8 FILTER
ATA513	MANETA	HANDLE
ATA514	ROCIADOR	SPRAY
ATA515	TUBO LAVADO	WASHING PIPE
ATA516	CRUCETA	CROSSHEAD
ATA519	COLECTOR INFERIOR	LOWER COLLECTOR
ATA521	TUBO	PIPE
ATA522	BOMBA DESAGÜE	DRAIN PUMP
ATA523	TUBO	PIPE
ATA524	TUBO	PIPE
ATA525	TUBO	PIPE
ATA526	TUBO	PIPE
ATA527	RACOR Y DOSIFABRILL BAJA PRESION	Y FITTING LOW PRESSURE RINSE AID DOS. CROSSHEAD FITTING
FA.265	TUBO GOMA 10X16 20 ATM	20ATM 10X17 RUBBER PIPE
V.133	ELECTROVALV. 2 VIA LAV. 220V	WASH 2 WAYS 220V SOLENOID
V.200	TUBO DESAGÜE 17mm 1.8mt	17mm. 1.8mt OUTLET PIPE
V.415 (1.5M)	TOMA LAVADORA 1.5M	QUALITY 1.5M INLET W.FLEX
V.476	TOMA LAVADORA 2 METROS	2 METERS INLET WATER FLEXIBLE
V.815 (2M)	TOMA LAVADORA 1.5 "ECO"	"ECO" 1.5M INLET WATER FL.
V.825 (1.5M ECO)	TOMA LAVADORA 1.5M INOX	INOX 1.5M INLET WATER FL.
V.848 (1.5M INOX)	TOMA LAV. INOX 2MT.3/4X3/4	INOX 2MT. INLET WATER FLE.
V.849 (2M INOX)		





REF.	DESCRIPCIÓN	DESCRIPTION
ATA130	DOSIFICADOR DETERGENTE	DETERGENT DISPENSER
ATA132	SONDA DETECCIÓN FALTA DETERGEN	PROBE FOR LACK DETERGENT
ATA172	TAPA FRONTAL	LID
ATA175	GOMA (1 METRO)	RUBBER (1m)
ATA176	PLETINA	FRAME
ATA179	TORICA	RING
ATA180	JUNTA	GASKET
ATA183	MUELLE	SPRINT
ATA184	SOPORTE	SUPPORT
ATA185	MUELLE	SPRING
ATA186	PATA	FOOT
ATA189	TUBO	PIPE
ATA190	BOMBA DOSIFICADOR	POMPE
ATA191	ESPARRAGO DOBLE	HEADLESS SCREW
ATA192	TUBO	PIPE
ATA200	CONTACTOR	CONTACTOR
ATA205	MICROINTERRUPTOR	MICROSWITCH
ATA208	FILTRO	FILTER
ATA209	RELE	RELAY
ATA211	REGLETA	CONECTOR
ATA212	FILTRO	FILTER
ATA268	TERMOSTATO	THERMOSTAT
ATA406	CAMARA PRESOSTATICA	PRESSURE SWITCH CHAMBER
ATA408	BOYA NIVEL	LEVEL FLOAT
ATA419	PASACABLES	WIRINGPIN
ATA454	PASACABLE	WIRINGPIN
ATA531	RESISTENCIA 6000W	6000W RESISTANCE
ATA575	PRESOSTATO	PRESSURE SWITCH
ATA576	CONTACTOR	CONTACTOR
ATA577	SONDA TERMOSTATO	THERMOSTAT PROBE
ATA578	PATA 60x40x10	FOOT 60x40x10
ATA579	RESISTENCIA 2000W ATA 12	RESIS. 2000W ATA 12
ATA580	PROTECTOR TERMINAL	TERMINAL PRETECTOR
ATA581	PASADOR 3x26	3x26 PIN
ATA582	JUNTA PUERTA ATA 12	ATA 12 DOOR GASKET
ATA583	BOTONERA	DOSING DEVICE
ATA584	CANTONERA DERECHA	RIGHT SQUARE
ATA585	CANTONERA IZQUIERDA	LEFT SQUARE
ATA586	CENTRALITA (AF610/610W)	(AF610/610W) ELECTRONIC BOX
ATA694	CABLE PLACA	PLATE WIRING
V.448	TUBO PRESOSTATO-METRO 4X6	4X6 PRE.SWITCH INLET PIPE

Lavado / Aclarado AF 610 (ATA 12) ■ (ATA 12) AF 610 Rinse / Wash

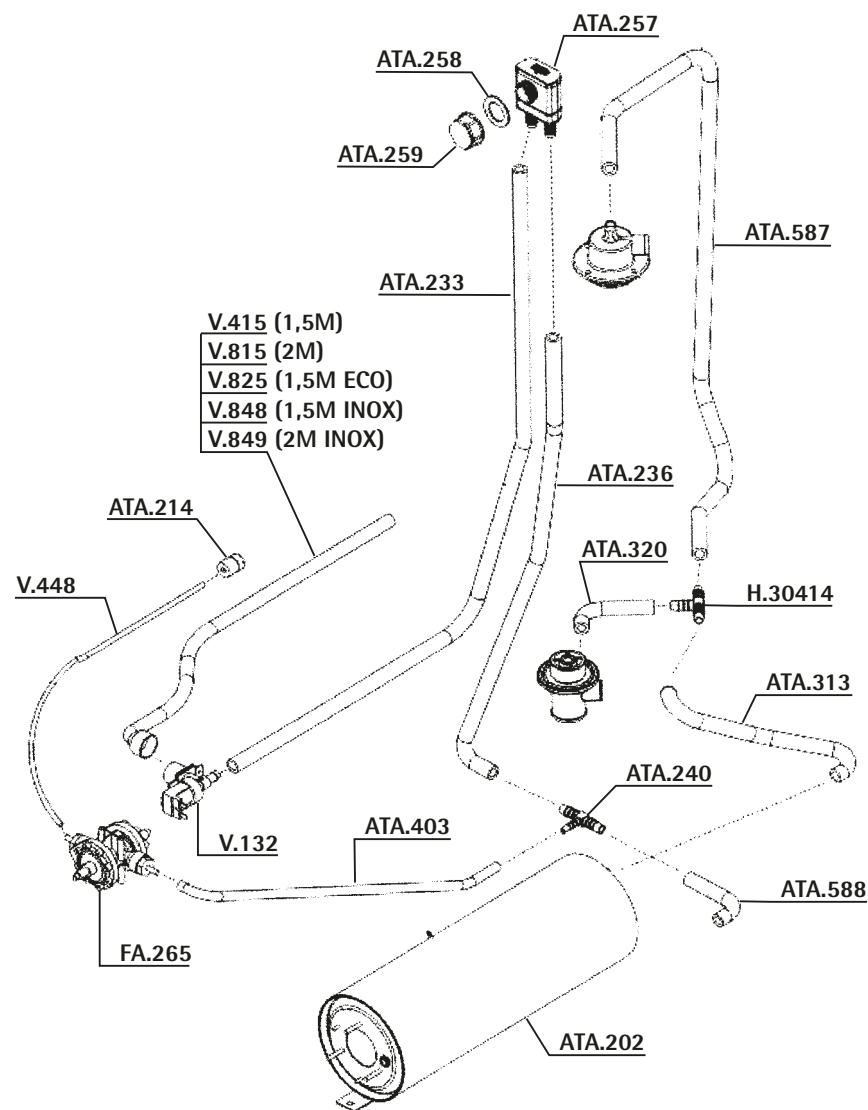


REF.	DESCRIPCIÓN	DESCRIPTION
ATA216	RACOR	FITTING
ATA217	JUNTA	GASKET
ATA218	TUERCA	NUT
ATA219	JUNTA	GASKET
ATA243	EJE	ROD
ATA244	JUNTA	GASKET
ATA246	REDUCTOR	REDUCER
ATA247	JUNTA	GASKET
ATA248	EJE	ROD
ATA249	COJINETE	BALL BEARING
ATA251	GIRATORIO ACLARADO	RINSE GIRATORY
ATA252	EJE	ROD
ATA253	JUNTA	GASKET
ATA254	COLECTOR	COLLECTOR
ATA260	PERNO TUERCA	BOLT NUT
ATA261	JUNTA	GASKET
ATA262	TUERCA	NUT
ATA263	JUNTA	GASKET
ATA437	TUERCA ROCIADOR	JET NUT
ATA438	ROMPECHORROS	THREAD
ATA439	BRIDA SURTIDOR ACLARADO	CLEAR CLASP
ATA564	GIRATORIO LAVADO	WASH GIRATORY
ATA568	MANGUITO	SLEEVE
ATA570	CODO	ELBOW
ATA589	FILTRO ATA 12	ATA 12 FILTER
ATA591	TUBO DISTRIBUIDOR	DISTRIBUTOR PIPE
ATA592	SOBRENIVEL ATA 12	ATA 12 OVERFLOW
ATA593	FILTRO ASPIRACION	SUCTION FILTER
ATA595	CODO DESAGÜE	DRAIN ELBOW
ATA596	MOTOR ATA 12	ATA 12 MOTOR
ATA601	ADAPTADOR GIRATORIO	GIRATORY ADAPTOR
V.201	TUBO DESAGÜE 28mm. 1,5mt.	28mm. 1.5mt OUTLET PIPE

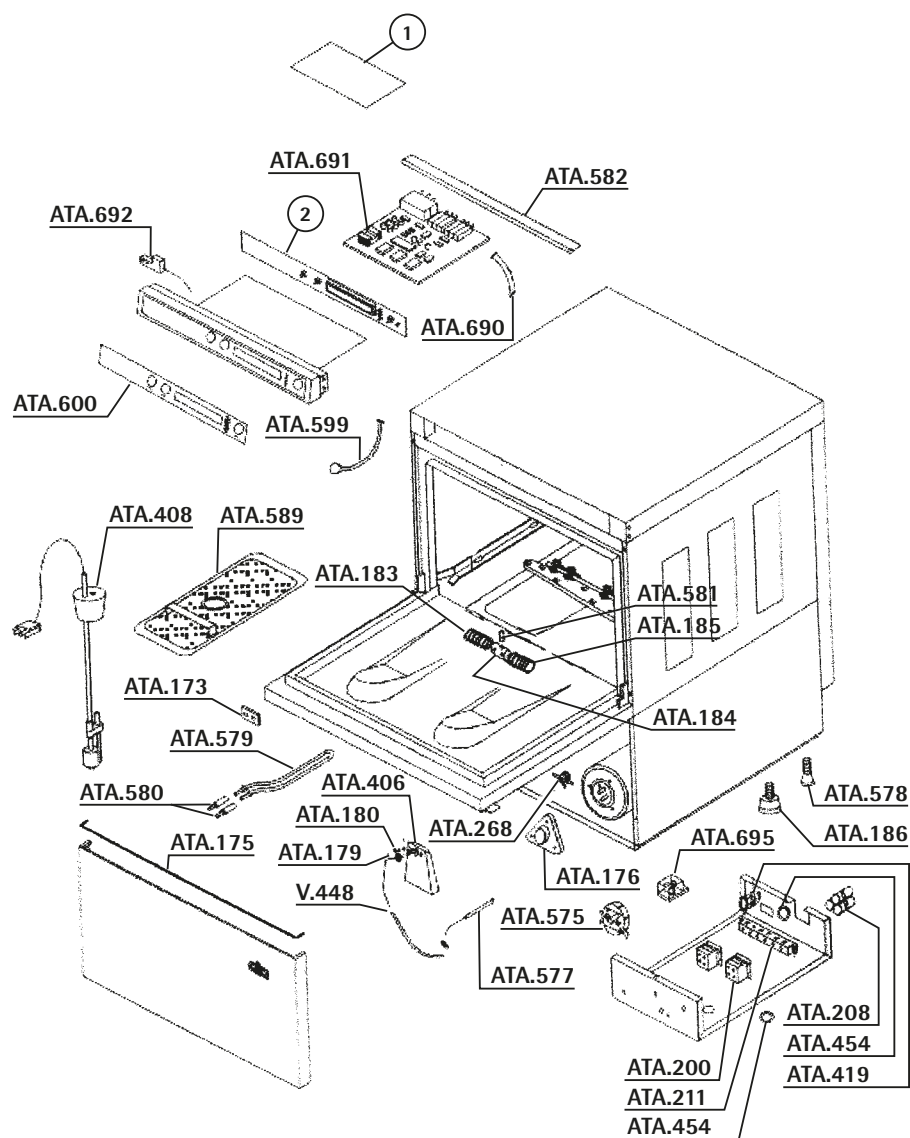


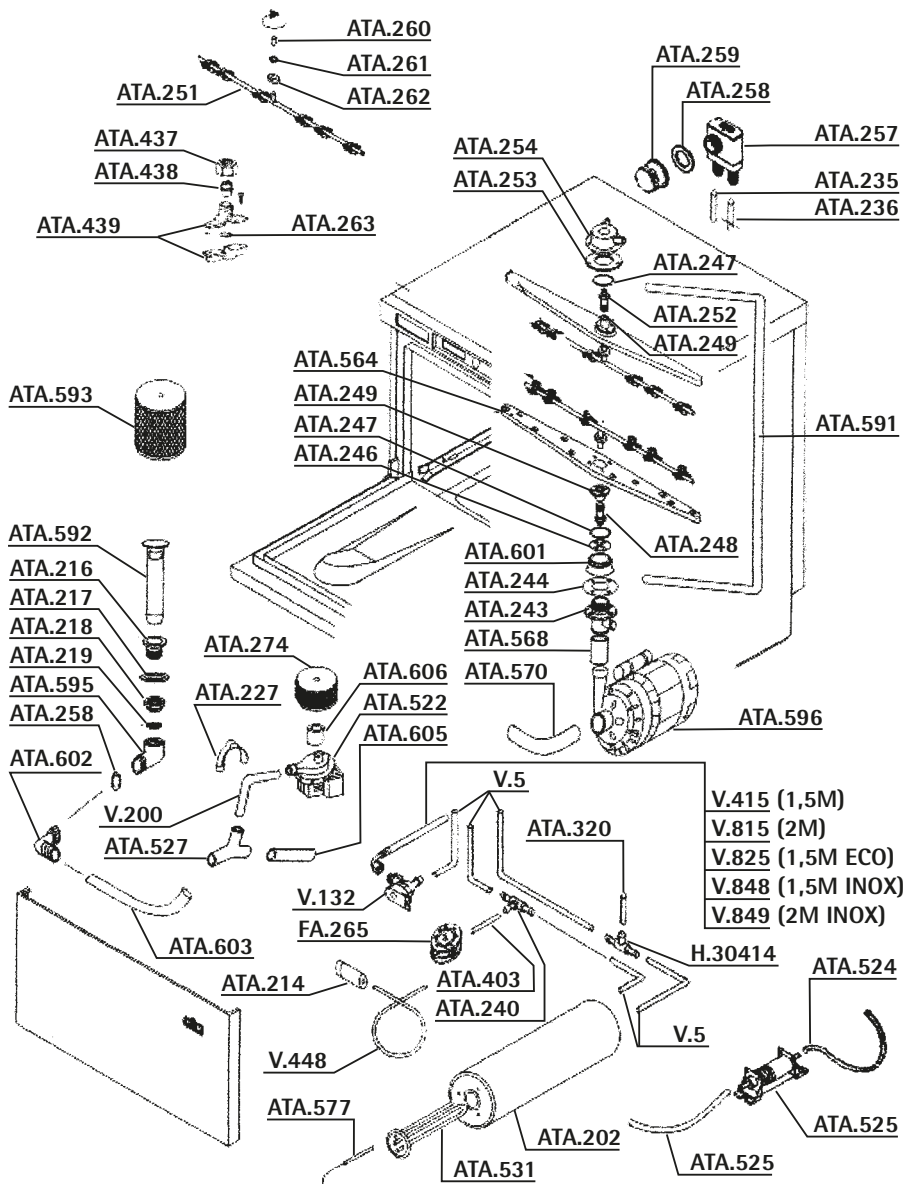
Ahorre tiempo y dinero.
Pida el recambio a ASCASO.

REF.	DESCRIPCIÓN	DESCRIPTION
ATA202	CALDERIN	BOILER
ATA214	FILTRO	FILTER
ATA233	TUBO	PIPE
ATA236	TUBO	PIPE
ATA240	T EMPALME	T ASSEMBLY
ATA257	VALVULA	VALVE
ATA258	JUNTA	GASKET
ATA259	TAPON VALVULA	COVER VALVE
ATA313	TUBO	PIPE
ATA320	TUBO	PIPE
ATA403	TUBO ABRILLANTADOR	PIPE
ATA587	TUBO	PIPE
ATA588	CODO	ELBOW
FA.265	DOSF.ABRILL.BAJA PRESION	LOW PRESSURE RINSE AID DOS.
H30414	RACOR EMPALME	UNION FITTING
V..132	ELECTROVAL.1 VIA LAV.220V	WASH 1 WAY 220V SOLENOID
V..415	TOMA LAVADORA 1,5M	QUALITY 1.5M.INLET W.FLEX
V..448	TUBO PRESOSTATO-METRO 4X6	4X6 PRE.SWITCH INLET PIPE
V..815	TOMA LAVADORA 2 METROS	2 MT.INLET WATER FLEXIBLE
V..825	TOMA LAVADORA 1.5 "ECO"	"ECO"1.5M INLET WA.FLEXIB
V..848	TOMA LAVADORA 1.5M INOX	INOX 1.5M INLET WATER FL.
V..849	TOMA LAV.INOX 2MT.3/4X3/4	INOX 2MT.INLET WATER FLE.



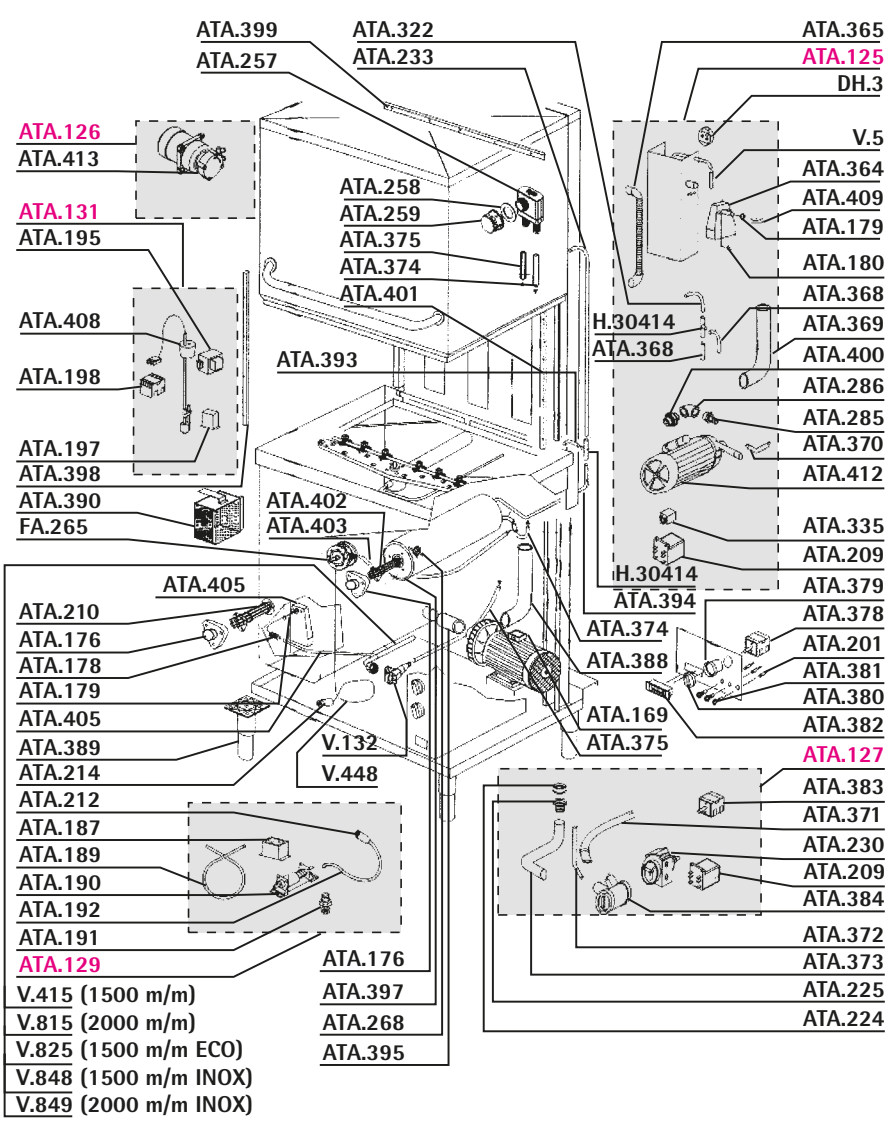
REF.	DESCRIPCIÓN	DESCRIPTION
ATA173	PLACA	PLATE
ATA175	GOMA (1 METRO)	RUBBER (1m)
ATA176	PLETINA	FRAME
ATA179	TORICA	RING
ATA180	JUNTA	GASKET
ATA183	MUELLE	SPRINT
ATA184	SOPORTE	SUPPORT
ATA185	MUELLE	SPRING
ATA186	PATA	FOOT
ATA200	CONTACTOR	CONTACTOR
ATA208	FILTRO	FILTER
ATA211	REGLETA	CONECTOR
ATA268	TERMOSTATO	THERMOSTAT
ATA406	CAMARA PRESOSTATICA	PRESSURE SWITCH CHAMBER
ATA408	BOYA NIVEL	LEVEL FLOAT
ATA419	PASACABLES	WIRINGPIN
ATA454	PASACABLE	WIRINGPIN
ATA575	PRESOSTATO	PRESSURE SWITCH
ATA577	SONDA TERMOSTATO	THERMOSTAT PROBE
ATA578	PATA 60x40x10	FOOT 60x40x10
ATA579	RESISTENCIA 2000W ATA 12	RESIS. 2000W ATA 12
ATA580	PROTECTOR TERMINAL	TERMINAL PRETECTOR
ATA581	PASADOR 3x26	3x26 PIN
ATA582	JUNTA PUERTA ATA 12	ATA 12 DOOR GASKET
ATA589	FILTRO ATA 12	ATA 12 FILTER
ATA599	CABLE PROGRAMADOR	TIMER WIRING
ATA600	CARATULA ATA 13	ATA 13 MEMBRANE
ATA690	CABLE PROGRAMADOR	TIMER WIRING
ATA691	PLACA ELECTRONICA	CONTROL BOARD
ATA692	MICROINTERRUPTOR	MICROSWITCH
ATA695	RELE	RELAY
V..448	TUBO PRESOSTATO-METRO 4X6	4X6 PRE.SWITCH INLET PIPE





REF.	DESCRIPCIÓN	DESCRIPTION
ATA202	CALDERIN	BOILER
ATA214	FILTRO	FILTER
ATA216	RACOR	FITTING
ATA217	JUNTA	GASKET
ATA218	TUERCA	NUT
ATA219	JUNTA	GASKET
ATA227	ABRAZADERA	CLAMP
ATA235	TUBO	PIPE
ATA236	TUBO	PIPE
ATA240	T EMPALME	T ASSEMBLY
ATA243	EJE	ROD
ATA244	JUNTA	GASKET
ATA246	REDUCTOR	REDUCER
ATA247	JUNTA	GASKET
ATA248	EJE	ROD
ATA249	COJINETE	BALL BEARING
ATA251	GIRATORIO ACLARADO	RINSE GIRATORY
ATA252	EJE	ROD
ATA253	JUNTA	GASKET
ATA254	COLECTOR	COLLECTOR
ATA257	VALVULA	VALVE
ATA258	JUNTA	GASKET
ATA259	TAPON VALVULA	COVER VALVE
ATA260	PERNO TUERCA	BOLT NUT
ATA261	JUNTA	GASKET
ATA262	TUERCA	NUT
ATA263	JUNTA	GASKET
ATA274	FILTRO	FILTER
ATA320	TUBO	PIPE
ATA403	TUBO ABRILLANTADOR	PIPE
ATA437	TUERCA ROCIADOR	JET NUT
ATA438	ROMPEHORROS	THREAD
ATA439	BRIDA SURTIDOR ACLARADO	CLEAR CLASP
ATA522	BOMBA DESAGUE	DRAIN PUMP
ATA524	TUBO	PIPE
ATA525	TUBO	PIPE
ATA527	RACOR Y	Y FITTING
ATA531	RESISTENCIA 6000W	6000W RESISTANCE
ATA564	GIRATORIO LAVADO	WASHING GIRATORY
ATA568	MANGUITO	SLEEVE
ATA570	CODO	ELBOW
ATA577	SONDA TERMOSTATO	THERMOSTAT PROBE
ATA591	TUBO DISTRIBUIDOR	DISTRIBUTOR PIPE
ATA592	SOBRENIVEL ATA 12	ATA 12 OVERFLOW
ATA593	FILTRO ASPIRACION	SUCTION FILTER
ATA595	CODO DESAGUE	DRAIN ELBOW
ATA596	MOTOR ATA 12	ATA 12 MOTOR
ATA601	ADAPTADOR GIRATORIO	GIRATORY ADAPTOR
ATA602	CODO	ELBOW
ATA603	MANGUITO	SLEEVE
ATA605	TUBO	PIPE
ATA606	ADAPTADOR FILTRO	FILTER ADAPTOR
FA.265	DOSEABRILL.BAJA PRESION	LOW PRESSURE RINSE AID DOS.
H30414	RACOR EMPALME	UNION FITTING
V...5	TUBO GOMA 10X16 20 ATM	20ATM 10X17 RUBBER PIPE
V.132	ELECTROVAL.1 VIA LAV.220V	WASH 1 WAY 220V SOLENOID
V.200	TUBO DESAGUE 17mm 1,8mt	17mm. 1.8mt OUTLET PIPE
V.415	TOMA LAVADORA 1,5M	QUALITY 1.5M.INLET W.FLEX
V.448	TUBO PRESOSTATO-METRO 4X6	4X6 PRE.SWITCH INLET PIPE
V.815	TOMA LAVADORA 2 METROS	2 MT.INLET WATER FLEXIBLE
V.825	TOMA LAVADORA 1.5 "ECO"	"ECO"1.5M INLET WA.FLEXIB
V.848	TOMA LAVADORA 1.5M INOX	INOX 1.5M INLET WATER FL.
V.849	TOMA LAV.INOX 2MT.3/4X3/4	INOX 2MT.INLET WATER FLE.

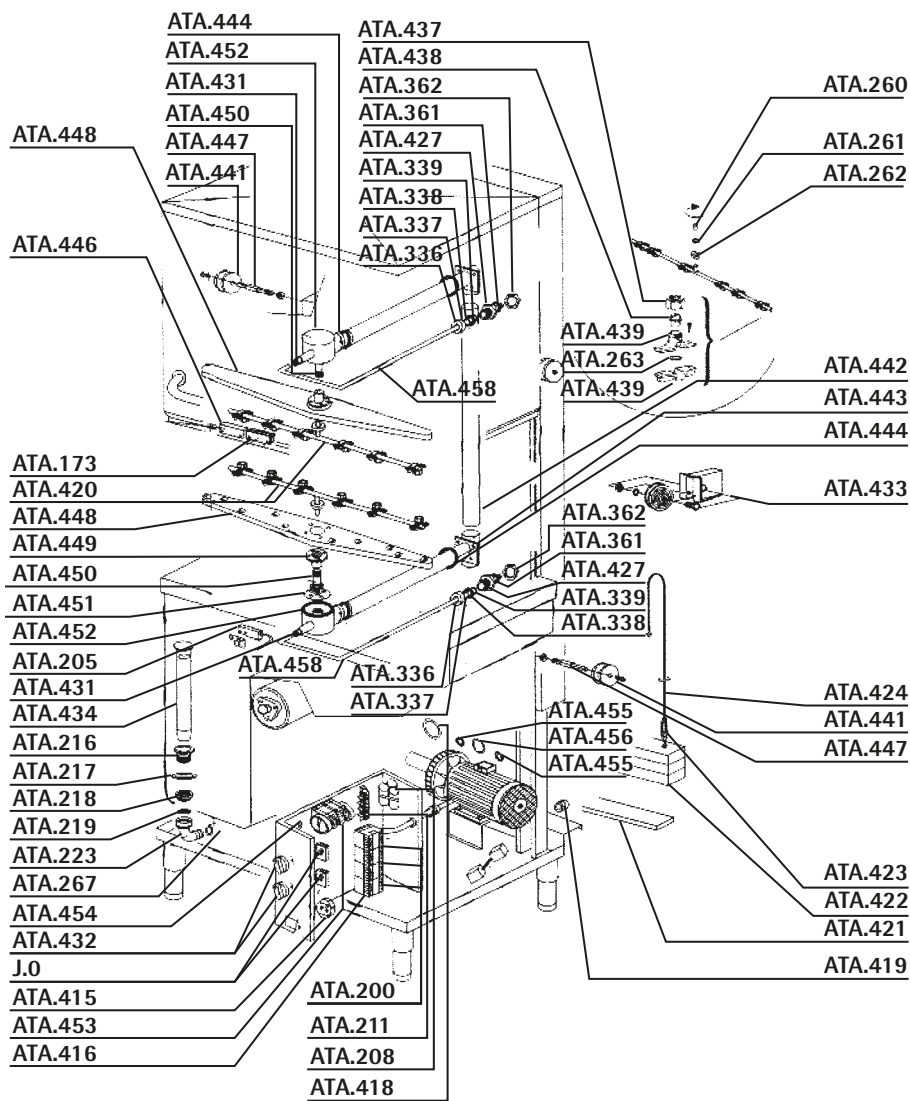
Componentes eléctricos AT 95 (ATA 5) ■ (ATA 5) AT 95 Electric components



REF.	DESCRIPCIÓN	DESCRIPTION
ATA125	DISPOSITIVO "BREAK TANK"	"BREAK TANK" DEVICE
ATA126	BOMBA AUMENTO PRESION	BOOSTE PUMP
ATA127	BOMBA VACIADO	DRAIN PUMP
ATA129	DOSIFICADOR DETERGENTE	DETERGENT DISPENSER
ATA131	SONDA DETECCION FALTA DETERGENTE	PROBE FOR LACK OF DETERGENT
ATA169	MOTOR AT.95	MOTOR AT.95
ATA176	PLETINA	FRAME
ATA178	MUELLE	SPRING
ATA179	TORICA	RING
ATA180	JUNTA	GASKET
ATA181	CAMARA PRESOSTATICA	PRESSURE SWITCH CHAMBER
ATA187	TRANSFORMADOR	TRANSFORMER
ATA189	TUBO	PIPE
ATA190	BOMBA DOSIFICADOR	POMPE
ATA191	ESPARRAGO DOBLE	HEADLESS SCREW
ATA192	TUBO	PIPE
ATA195	TRANSFORMADOR	TRANSFORMER
ATA197	ALARMA	ALARM
ATA198	CONTACTOR	CONTACTOR
ATA201	PILOTO NARANJA	ORANGE PILOT
ATA209	RELE	RELAY
ATA210	RESIS.CALDERIN 3000W/220V ATA	RESIS. 3000W/220V
ATA212	FILTRO	FILTER
ATA214	FILTRO	FILTER
ATA224	TUERCA	NUT
ATA225	RACOR	FITTING
ATA230	FILTRO BOMBA	FILTER PUMP
ATA233	TUBO	PIPE
ATA257	VALVULA	VALVE
ATA258	JUNTA	GASKET
ATA259	TAPON VALVULA	COVER VALVE
ATA268	TERMOSTATO	THERMOSTAT
ATA285	RACOR	FITTING
ATA286	CODO	ELBOW
ATA322	TUBO	PIPE
ATA335	RELE	RELAY
ATA364	CAMARA PRESOSTATICA	PRESSURE SWITCH CHAMBER
ATA365	TUBO DESAGUE	OUTLET PIPE
ATA368	TUBO	PIPE
ATA369	TUBO	PIPE
ATA379	TUBO	PIPE
ATA378	TUBO	PIPE
ATA377	TUBO	PIPE
ATA372	TUBO	PIPE
ATA373	TUBO	PIPE
ATA374	TUBO ABRILLANTADOR	PIPE
ATA375	TUBO 11 X 19	PIPE 11 X 19
ATA378	INTERRUPTOR	SWITCH
ATA379	SOPORTE INTERRUPTOR	SWITCH SUPPORT
ATA380	MANDO	KNOB
ATA381	TAPON PILOTO AMBAR	YELLOW PILOT COVER
ATA382	TERMOMETRO	THERMOMETER
ATA383	INTERRUPTOR	SWITCH
ATA384	FILTRO BOMBA	PUMP FILTER
ATA388	TUBO	PIPE
ATA389	PATA	FOOT
ATA390	FILTRO	FILTER
ATA393	TUBO	PIPE
ATA394	TUBO	PIPE
ATA395	TUBO	PIPE
ATA397	CALDERIN	BOILER
ATA398	DESPLAZAMIENTO IZQUIERDO	LEFT GUIDE
ATA399	JUNTA	GASKET
ATA400	RACOR	FITTING
ATA401	DESPLAZAMIENTO DERECHO	RIGHT GUIDE
ATA402	RESIS 6000W	RESIS 6000W
ATA403	TUBO ABRILLANTADOR	PIPE
ATA405	TUBO	PIPE
ATA408	BOYA NIVEL	LEVEL FLOAT
ATA409	TUBO	PIPE
ATA412	BOMBA 280W	PUMP 280W
ATA413	BOMBA VOLUMETRICA	VOLUMETRICA PUMP
DH...3	PRESOSTATO SAL	55/30 HORIZ.PRESS.SWITCH
FA.265	DOSEABRILL.BAJA PRESION	LOW PRESSURE RINSE AID DOS.
H30414	RACOR EMPALME	UNION FITTING
V.132	ELECTROVAL.1 VIA LAV.220V	WASH 1 WAY 220V SOLENOID
V.415	TOMA LAVADORA 1.5M	QUALITY 1.5M.INLET W.FLEX
V.448	TUBO PRESOSTATO-METRO 4X6	4X6 PRE.SWITCH INLET PIPE
V.815	TOMA LAVADORA 2 METROS	2 MT.INLET WATER FLEXIBLE
V.825	TOMA LAVADORA 1.5 "ECO"	"ECO"1.5M INLET WA.FLEXIB
V.848	TOMA LAVADORA 1.5M INOX	INOX 1.5M INLET WATER FL.
V.849	TOMA LAV.INOX 2MT.3/4X3/4	INOX 2MT.INLET WATER FLE.

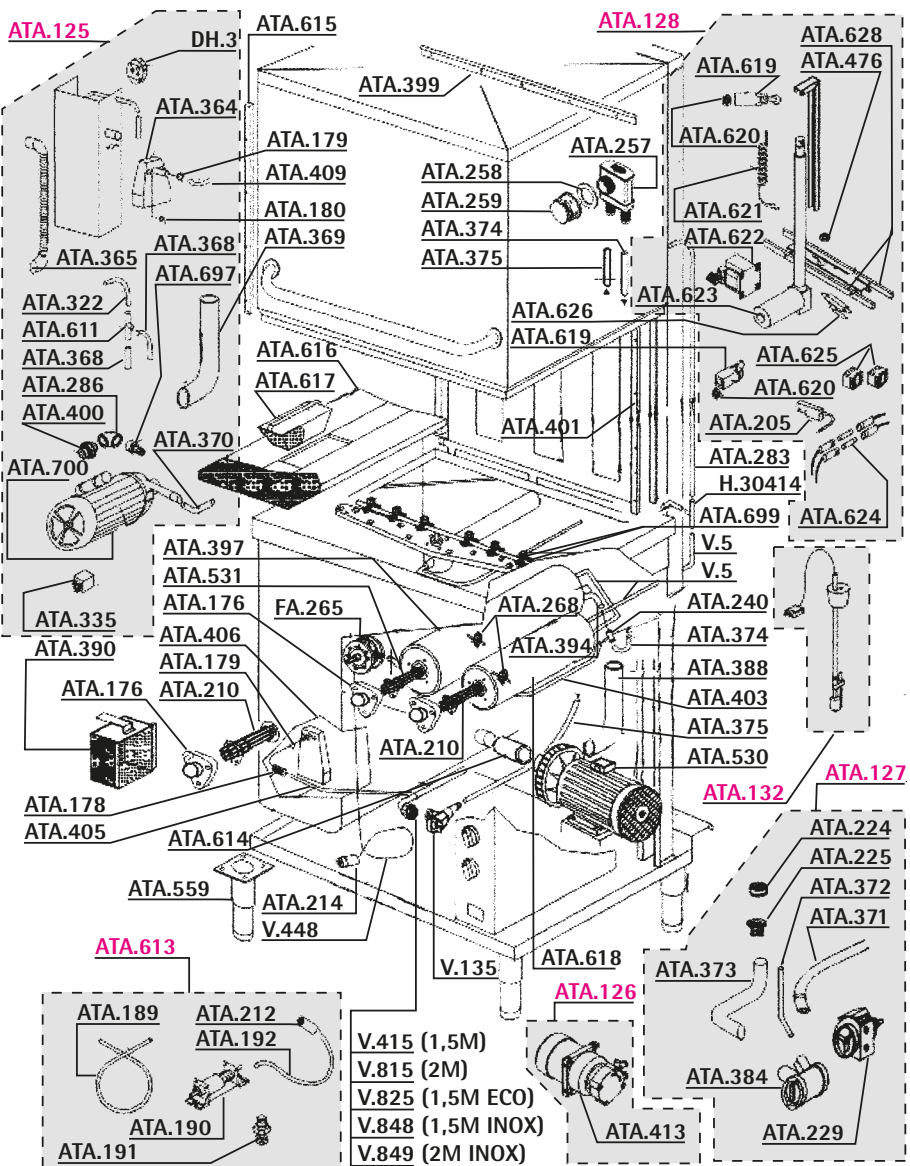
Lavado / Aclarado AT 95 (ATA 5) ■ (ATA 5) AT 95 Rinse / Wash

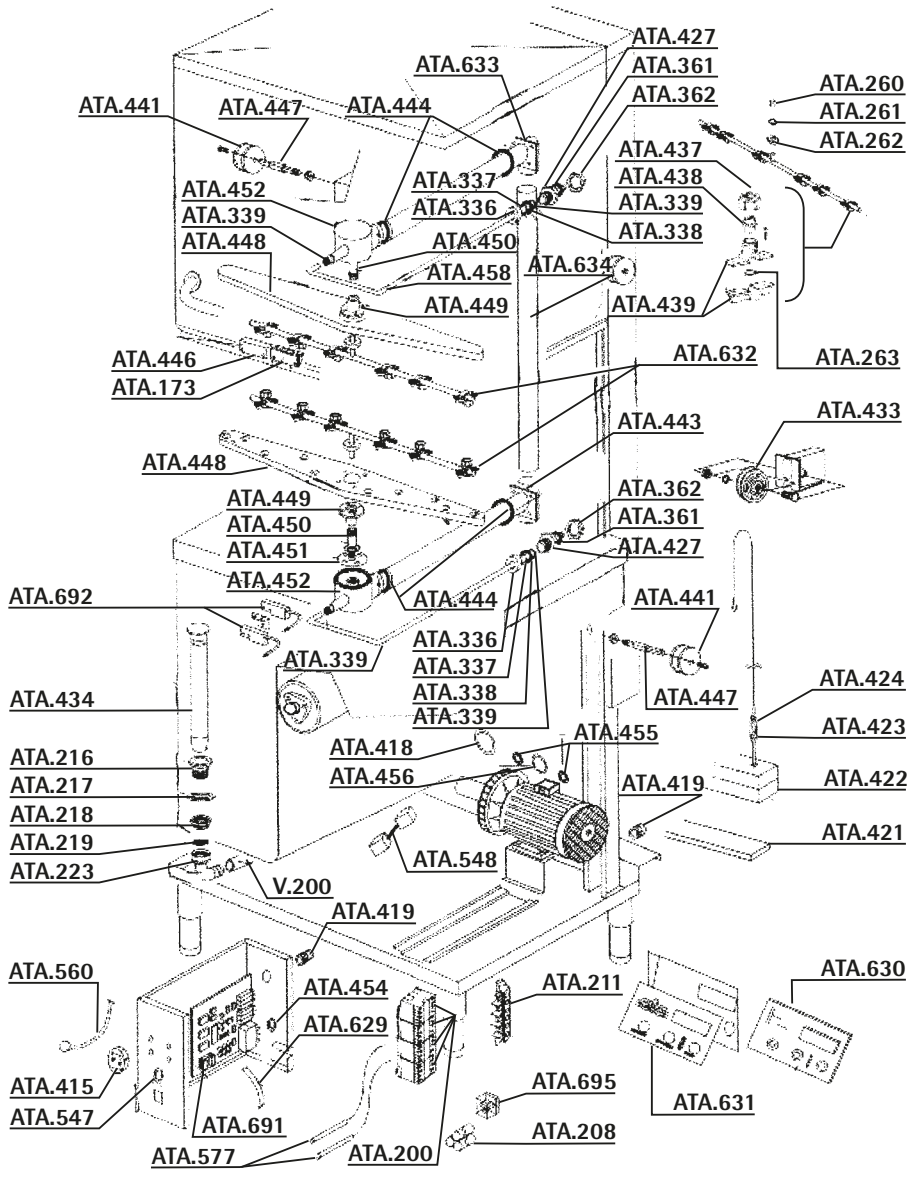
REF.	DESCRIPCIÓN	DESCRIPTION
ATA173	PLACA	PLATE
ATA200	CONTACTOR	CONTACTOR
ATA205	MICROINTERRUPTOR	MICROSWITCH
ATA208	FILTRO	FILTER
ATA211	REGLETA	CONNECTOR
ATA216	RACOR	FITTING
ATA217	JUNTA	GASKET
ATA218	TUERCA	NUT
ATA219	JUNTA	GASKET
ATA223	CODO	ELBOW
ATA260	PERNO TUERCA	BOLT NUT
ATA261	JUNTA	GASKET
ATA262	TUERCA	NUT
ATA263	JUNTA	GASKET
ATA267	TUBO	PIPE
ATA336	TUERCA	NUT
ATA337	ANILLO	RING
ATA338	ARANDELA	WASHER
ATA339	JUNTA	GASKET
ATA361	JUNTA TORICA	GASKET RING
ATA362	TUERCA	NUT
ATA415	PRESOSTATO	PRESSURE SWITCH
ATA416	CONTACTOR	CONTACTOR
ATA418	JUNTA	GASKET
ATA419	PASACABLES	WIRINGPIN
ATA420	GIRATORIO ACLARADO	RINSE GYRATORY
ATA421	GOMA FIN CARRERA	GASKET
ATA422	CONTRAPESO	COUNTERWEIGHT
ATA423	MOSQUETON 5 X 20	MOSQUETON 5 X 20
ATA424	TIRANTE	DRAWER
ATA427	RACOR	FITTING
ATA432	MANDO	KNOB
ATA433	POLEA	PULLEY
ATA434	REBOSADERO	OVERFLOW
ATA437	TUERCA ROCIADOR	JET NUT
ATA438	ROMPECHORROS	THREAD
ATA439	BRIDA SURTIDOR ACLARADO	CLEAR CLASP
ATA441	POLEA	POULIE
ATA442	TUBO ENTRADA LAVADO SUP	UPPER INLET PIPE
ATA443	BRAZO ACLARADO INF.	LOWER RINSE ARM
ATA444	JUNTA	GASKET
ATA446	ESTRIBO IMAN	MAGNET SUPPORT
ATA447	PERNO	BOLT
ATA448	GIRANTE LAVADO	WASHING GYRATORY
ATA449	COJINETE	BALL BEARING
ATA450	SOPORTE	SUPPORT
ATA451	LIMITADOR	LIMITER
ATA452	SOPORTE GIRANTE INF/SUP.	REVOLVING ARM SUPPORT
ATA453	TIMER 60° - 150°	TIMER 60° - 150°
ATA454	PASACABLE	WIRINGPIN
ATA455	PASACABLE	WIRINGPIN
ATA456	PASACABLE	WIRINGPIN
ATA458	TUBO	PIPE
J...0	TERMOSTATO 0-90°	0-90° THERMOSTAT



Componentes eléctricos / Carrocera AT 105E (ATA 6) ■ (ATA 6) AT 105E Bodywork / Electric components

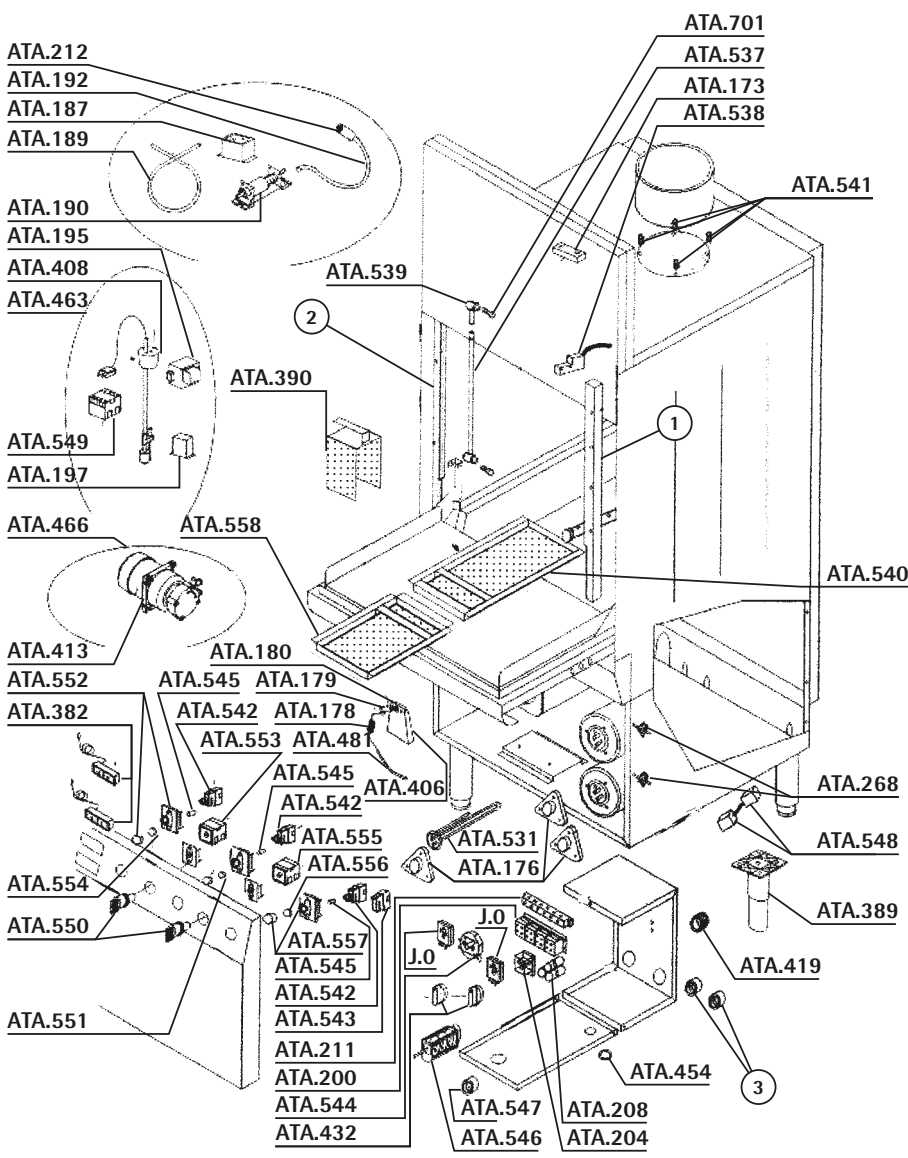
REF.	DESCRIPCIÓN	DESCRIPTION
ATA125	DISPOSITIVO "BREAK TANK"	"BREAK TANK" DEVICE
ATA126	BOMBA AJUSTO PRESION	BOOSTE PUMP
ATA127	BOMBA VACIADO	DRAIN PUMP
ATA128	LEVANTAMIENTO AUTOMATICO	AUTOMATIC LIFTING
ATA128	SONDA DETECCION FALTA DETERGENTE	PROBE FOR LACK OF DETERGENT
ATA176	PLETINA	FRAME
ATA178	MUELLE	SPRING
ATA179	TORICA	RING
ATA180	JUNTA	GASKET
ATA189	TUBO	PIPE
ATA190	BOMBA DOSIFICADOR	POMPE
ATA191	ESPARRAGO DOBLE	HEADLESS SCREW
ATA192	TUBO	PIPE
ATA205	MICROINTERRUPTOR	MICROSWITCH
ATA210	RESIS. CALDERIN 3000W/220V	RESIS. 3000W/220V
ATA212	FILTRO	FILTER
ATA214	FILTRO	FILTER
ATA224	TUERCA	NUT
ATA225	RACOR	FITTING
ATA229	BOMBA	PUMP
ATA240	T EMPALME	T ASSEMBLY
ATA257	VALVULA	VALVE
ATA258	JUNTA	GASKET
ATA259	TAPON VALVULA	COVER VALVE
ATA268	TERMOSTATO	THERMOSTAT
ATA283	TUBO	PIPE
ATA286	CODO	ELBOW
ATA322	TUBO	PIPE
ATA322	TUBO	PIPE
ATA335	RELE	RELAY
ATA364	CAMARA PRESOSTATICA	PRESSURE SWITCH CHAMBER
ATA365	TUBO DESAGÜE	OUTLET PIPE
ATA368	TUBO	PIPE
ATA369	TUBO	PIPE
ATA370	TUBO	PIPE
ATA371	TUBO	PIPE
ATA372	TUBO	PIPE
ATA373	TUBO	PIPE
ATA374	TUBO	PIPE
ATA375	TUBO 11 X 19	PIPE 11 X 19
ATA375	FILTRO BOMBA	PUMP FILTER
ATA384	TUBO	PIPE
ATA388	FILTRO	FILTER
ATA390	TUBO	PIPE
ATA394	TUBO	PIPE
ATA397	CALDERIN	BOILER
ATA399	JUNTA	GASKET
ATA400	RACOR	FITTING
ATA401	DESPLAZAMIENTO DERECHO	RIGHT GUIDE
ATA403	TUBO ABRILLANTADOR	PIPE
ATA405	TUBO	PIPE
ATA406	CAMARA PRESOSTATICA	PRESSURE SWITCH CHAMBER
ATA409	TUBO	PIPE
ATA413	BOMBA VOLUMETRICA	VOLUMETRICA PUMP
ATA476	PASACABLE	WIRE-INSERT
ATA530	MOTOR	MOTOR
ATA531	RESISTENCIA 6000W	6000W RESISTANCE
ATA559	PIA	FOOT
ATA611	T EMPALME	T ASSEMBLY
ATA613	KIT BOMBA	PUMP KIT
ATA614	MANGUITO	SLEEVE
ATA615	GUIA CAPOTA	GUIDE
ATA616	FILTRO	FILTER
ATA617	FILTRO	FILTER
ATA618	CALDERIN	BOILER
ATA619	MICRO	MICRO
ATA620	PASACABLE	WALL INSERT
ATA621	CABLE MICRO	CABLE MICRO
ATA622	CONTACTOR	CONTACTOR
ATA623	ACTUADOR	ROD
ATA624	FUSIBLE	FUSE
ATA625	CONTACTOR	CONTACTOR
ATA626	MICRO	MICRO
ATA628	GUIA	GUIDE
ATA697	RACOR	FITTING
ATA697	GIRATORIO ATA 6	GIRATORY ATA 6
ATA700	MOTOR ATA 6	ATA 6 MOTOR
DH...3	PRESOSTATO SAL	55/30 HORIZ.PRESS.SWITCH
FA.265	DOSIFABRILL.BAJA PRESION	LOW PRESSURE RINSE AID DOS.
H30414	RACOR EMPALME	UNION FITTING
V...5	TUBO GOMA 10X16 20 ATM	20ATM 10X17 RUBBER PIPE
V.135	ELECTR.1 VIA SAL VERTICAL	VERTICAL EXIT 1 WAY SOLEN
V.415	TOMA LAVADORA 1.5M	QUALITY 1.5M.INLET W.FLEX
V.448	TUBO PRESOSTATO-METRO 4X6	4X6 PRE.SWITCH INLET PIPE
V.815	TOMA LAVADORA 2 METROS	2 MT.INLET WATER FLEXIBLE
V.825	TOMA LAVADORA 1.5 ECO	"ECO"1.5M INLET W.FLEX
V.848	TOMA LAVADORA 1.5M INOX	INOX 1.5M INLET WATER FL.
V.849	TOMA LAV.INOX 2MT.3/4X3/4	INOX 2MT.INLET WATER FLE.





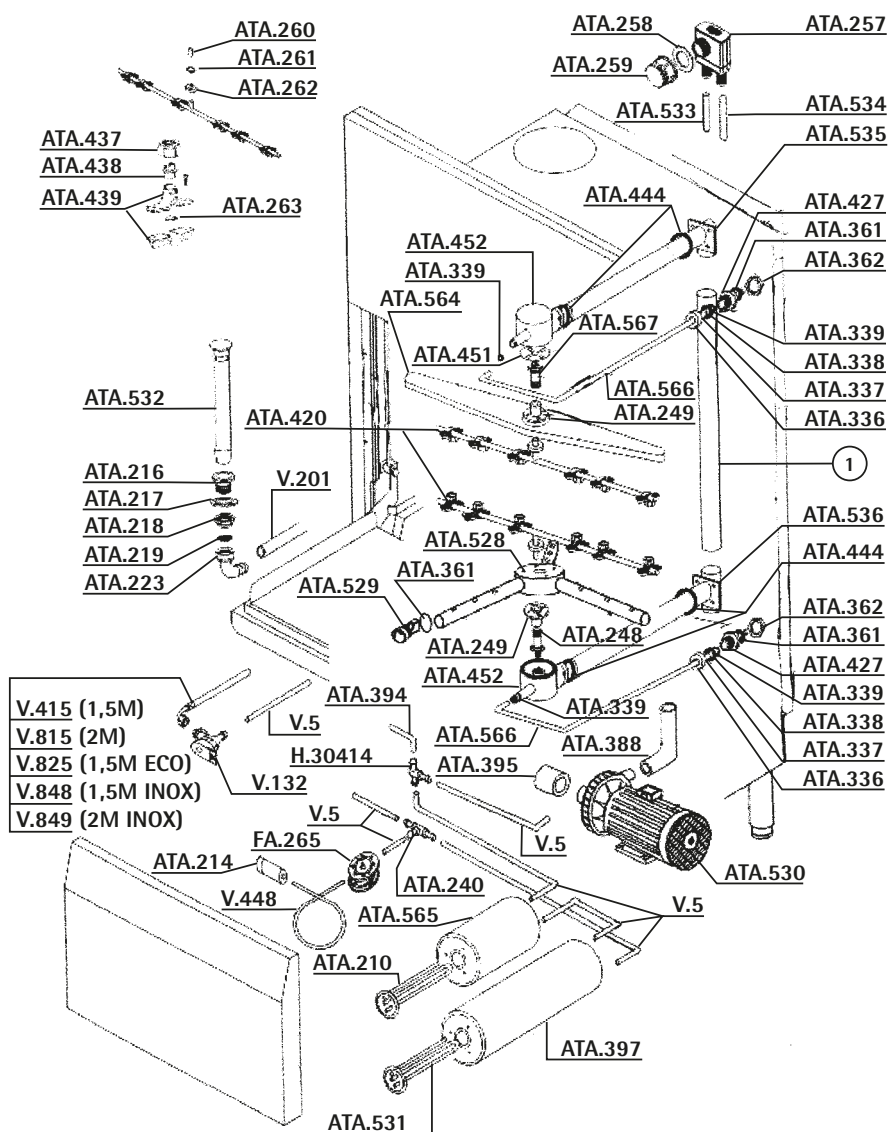
REF.	DESCRIPCIÓN	DESCRIPTION
ATA173	PLACA	PLATE
ATA200	CONTACTOR	CONTACTOR
ATA208	FILTRO	FILTER
ATA211	REGLETA	CONNECTOR
ATA216	RACOR	FITTING
ATA217	JUNTA	GASKET
ATA218	TUERCA	NUT
ATA219	JUNTA	GASKET
ATA223	CODO	ELBOW
ATA260	PERNO TUERCA	BOLT NUT
ATA261	JUNTA	GASKET
ATA262	TUERCA	NUT
ATA263	JUNTA	GASKET
ATA264	TUERCA	NUT
ATA265	JUNTA	GASKET
ATA266	TUERCA	NUT
ATA267	ANILLO	RING
ATA268	ARANDELA	WASHER
ATA269	JUNTA	GASKET
ATA270	JUNTA TORICA	GASKET RING
ATA271	TUERCA	NUT
ATA272	PRESOSTATO	PRESSURE SWITCH
ATA273	JUNTA	GASKET
ATA274	PASACABLES	WIRINGPIN
ATA275	GOMA FIN CARRERA	GASKET
ATA276	CONTRAPESO	COUNTERWEIGHT
ATA277	MOSQUETON 5 X 20	MOSQUETON 5 X 20
ATA278	TIRANTE	DRAWER
ATA279	RACOR	FITTING
ATA280	POLEA	PULLEY
ATA281	REBOSADERO	OVERFLOW
ATA282	TUERCA ROCIADOR	JET NUT
ATA283	ROMPECHORROS	THREAD
ATA284	BRIDA SURTIDOR ACLARADO	CLEAR CLASP
ATA285	POLEA	POULIE
ATA286	BRAZO ACLARADO INF.	LOWER RINSE ARM
ATA287	JUNTA	GASKET
ATA288	ESTRIBO IMAN	MAGNET SUPPORT
ATA289	PERNO	BOLT
ATA290	GIRANTE LAVADO	WASHING GYRATORY
ATA291	COJINETE	BALL BEARING
ATA292	SOPORTE	SUPPORT
ATA293	LIMITADOR	LIMITER
ATA294	SOPORTE GIRANTE INF/SUP.	REVOLVING ARM SUPPORT
ATA295	PASACABLE	WIRINGPIN
ATA296	PASACABLE	WIRINGPIN
ATA297	PASACABLE	WIRINGPIN
ATA298	TUBO	PIPE
ATA299	RACOR	FITTING
ATA300	CAMBIO TENSION BOMBA	WIRING
ATA301	CABLE PROGRAMADOR	TIMER WIRING
ATA302	SONDA TERMOSTATO	THERMOSTAT PROBE
ATA303	CABLE PLACA ELECTRONICA	ELECTRONIC BOARD WIRING
ATA304	DISPLAUY	DISPLAUY
ATA305	CARATULA ATA 6	ATA 6 MEMBRANE
ATA306	GIRATORIO ACLARADO	RINSE GIRATORY
ATA307	TUBO COLECTOR SUPERIOR	UPPER COLECTOR PIPE
ATA308	TUBO LAVADO	WASHING PIPE
ATA309	PLACA ELECTRONICA	CONTROL BOARD
ATA310	MICROINTERRUPTOR	MICROSWITCH
ATA311	RELE	RELAY
ATA312	TUBO DESAGÜE 17mm 1,8mt	17mm. 1.8mt OUTLET PIPE

Carrocería / Componentes eléctricos ALP 42 (ATA10) ■ (ATA 10) ALP 42 Electric components / Bodywork

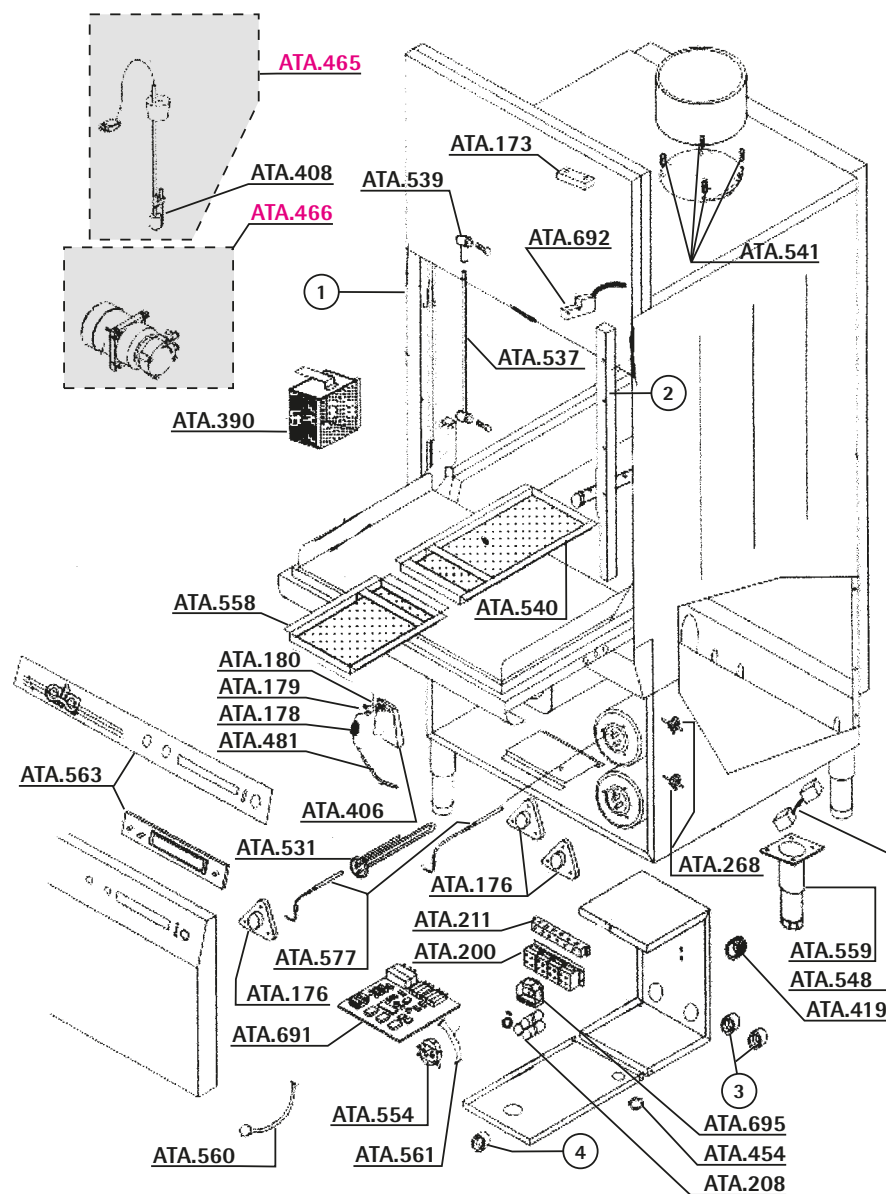


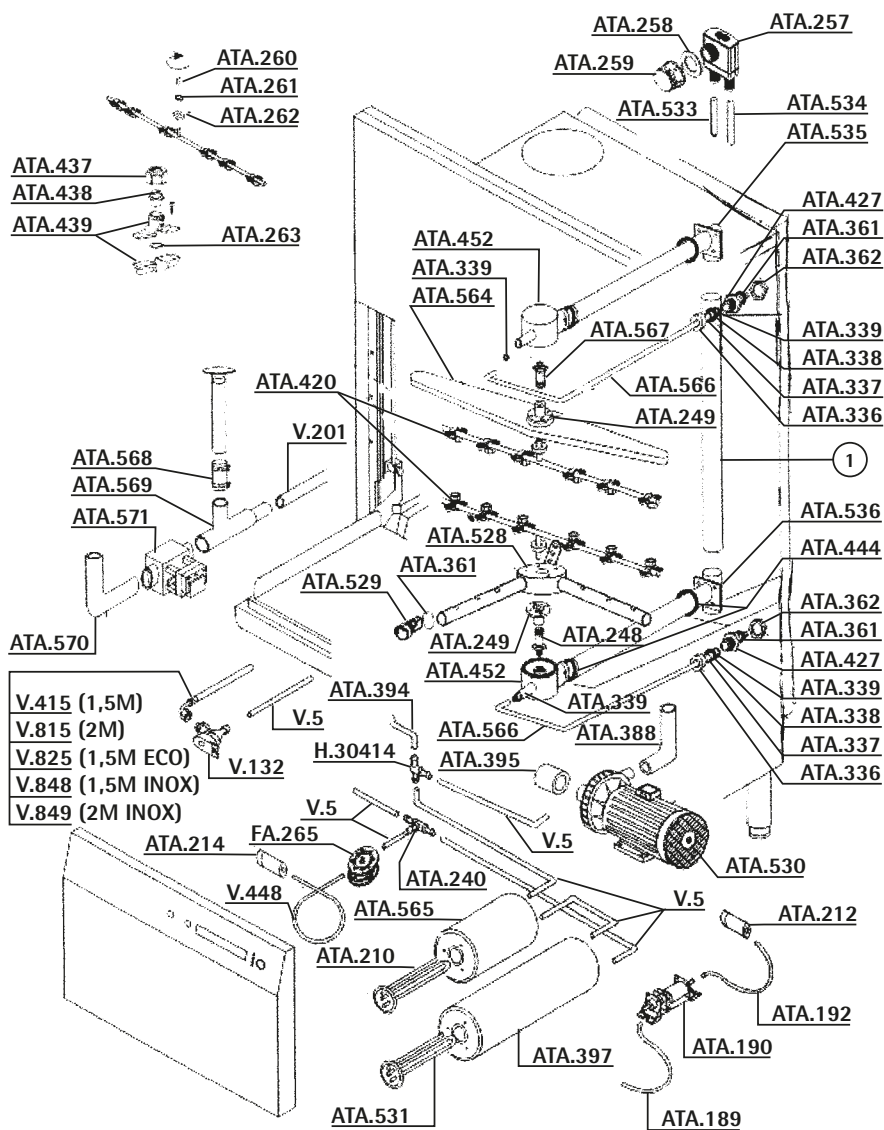
REF.	DESCRIPCIÓN	DESCRIPTION
ATA173	PLACA	PLATE
ATA176	PLETINA	FRAME
ATA178	MUELLE	SPRING
ATA179	TORICA	RING
ATA180	JUNTA	GASKET
ATA187	TRANSFORMADOR	TRANSFORMER
ATA189	TUBO	PIPE
ATA190	BOMBA DOSIFICADOR	POMPE
ATA192	TUBO	PIPE
ATA195	TRANSFORMADOR	TRANSFORMER
ATA197	ALARMA	ALARM
ATA200	CONTACTOR	CONTACTOR
ATA204	PILOTO	PILOT
ATA208	FILTRO	FILTER
ATA211	REGLETA	CONNECTOR
ATA212	FILTRO	FILTER
ATA268	TERMOSTATO	THERMOSTAT
ATA382	TERMOMETRO	THERMOMETER
ATA389	PATA	FOOT
ATA390	FILTRO	FILTER
ATA406	CAMARA PRESOSTATICA	PRESSURE SWITCH CHAMBER
ATA408	BOYA NIVEL	LEVEL FLOAT
ATA413	BOMBA VOLUMETRICA	VOLUMETRIC PUMP
ATA419	PASACABLES	WIRINGPIN
ATA432	MANDO	KNOB
ATA454	PASACABLE	WIRINGPIN
ATA463	SONDA DETECCION FALTA DETERGE	PROBE FOR LACK OF DETERGENT
ATA466	BOMBA AUMENTO PRESION	BOOSTER PUMP
ATA481	TUBO	PIPE
ATA531	RESISTENCIA 6000W	6000W RESISTANCE
ATA537	TUBO	PIPE
ATA538	MICROINTERRUPTOR	MICROSWITCH
ATA539	CODO	ELBOW
ATA540	FILTRO	FILTER
ATA541	TORNILLO	SCREW
ATA542	PORTALAMPARA	LAMP-HOLDER
ATA543	BLOQUEO CONTACTO	CONTACT STOP
ATA544	PRESOSTATO	PRESSURE SWITCH
ATA545	PILOTO NEON	NEON PILOT
ATA546	PROGRAMADOR 220V 50HZ 2-4-6	220V 50HZ 2-4-6 TIMER
ATA547	RACOR	FITTING
ATA548	CAMBIO TENSION BOMBA	WIRING
ATA549	CONTACTOR	CONTACTOR
ATA550	MANDO	KNOB
ATA551	VISOR	VISOR
ATA552	PILOTO BLANCO	WHITE LAMP
ATA553	CONTACTOR	CONTACTOR
ATA554	VISOR	VISOR
ATA555	CONTACTOR	CONTACTOR
ATA556	VISOR	VISOR
ATA557	PULSADOR CICLO	PUSH BUTTON
ATA558	FILTRO ATA 11	ATA 11 FILTER
ATA701	TORNILLO	SCREW
J...0	TERMOSTATO 0-90°	0-90° THERMOSTAT

REF.	DESCRIPCIÓN	DESCRIPTION
ATA210	RESIS.CALDERIN 3000W/220V ATA	RESIS. 3000W/220V
ATA214	FILTRO	FILTER
ATA216	RACOR	FITTING
ATA217	JUNTA	GASKET
ATA218	TUERCA	NUT
ATA219	JUNTA	GASKET
ATA223	CODO	ELBOW
ATA240	T EMPALME	T ASSEMBLY
ATA248	EJE	ROD
ATA249	COJINETE	BALL BEARING
ATA257	VALVULA	VALVE
ATA258	JUNTA	GASKET
ATA259	TAPON VALVULA	COVER VALVE
ATA260	PERNO TUERCA	BOLT NUT
ATA261	JUNTA	GASKET
ATA262	TUERCA	NUT
ATA263	JUNTA	GASKET
ATA336	TUERCA	NUT
ATA337	ANILLO	RING
ATA338	ARANDELA	WASHER
ATA339	JUNTA	GASKET
ATA361	JUNTA TORICA	GASKET RING
ATA362	TUERCA	NUT
ATA388	TUBO	PIPE
ATA394	TUBO	PIPE
ATA395	TUBO	PIPE
ATA397	CALDERIN	BOILER
ATA420	GIRATORIO ACLARADO	RINSE GYRATORY
ATA427	RACOR	FITTING
ATA437	TUERCA ROCIADOR	JET NUT
ATA438	ROMPECHORROS	THREAD
ATA439	BRIDA SURTIDOR ACLARADO	CLEAR CLASP
ATA444	JUNTA	GASKET
ATA451	LIMITADOR	LIMITER
ATA452	SOPORTE GIRANTE INF/SUP.	REVOLVING ARM SUPPORT
ATA452	SOPORTE GIRANTE INF/SUP.	REVOLVING ARM SUPPORT
ATA528	GIRATORIO ATA 10	ATA 10 GIRATORY
ATA529	TAPON	LOVER
ATA530	MOTOR	MOTOR
ATA531	RESISTENCIA 6000W	6000W RESISTANCE
ATA532	REBOSADERO	OVERFLOW
ATA533	TUBO	PIPE
ATA534	TUBO	PIPE
ATA535	BRAZO LAVADO SUPERIOR	UPPER WASHING ARM
ATA536	BRAZO LAVADO INFERIOR	LOWER WASHING ARM
ATA564	GIRATORIO LAVADO	WASHING GIRATORY
ATA565	CALDERIN	BOILER
ATA566	TUBO	PIPE
ATA567	ADAPTADOR GIRATORIO	ADAPTOR
FA.265	DOSEFABRILL.BAJA PRESION	LOW PRESSURE RINSE AID DOS.
H30414	RACOR EMPALME	UNION FITTING
V...5	TUBO GOMA 10X16 20 ATM	20ATM 10X17 RUBBER PIPE
V...132	ELECTROVAL.1 VIA LAV.220V	WASH 1 WAY 220V SOLENOID
V...201	TUBO DESAGÜE 28mm. 1,5mt.	28mm. 1.5mt OUTLET PIPE
V...415	TOMA LAVADORA 1,5M	QUALITY 1.5M.INLET W.FLEX
V...448	TUBO PRESOSTATO-METRO 4X6	4X6 PRE.SWITCH INLET PIPE
V...815	TOMA LAVADORA 2 METROS	2 MT.INLET WATER FLEXIBLE
V...825	TOMA LAVADORA 1.5 "ECO"	"ECO"1.5M INLET WA.FLEXIB
V...848	TOMA LAVADORA 1.5M INOX	INOX 1.5M INLET WATER FL.
V...849	TOMA LAV.INOX 2MT.3/4X3/4	INOX 2MT.INLET WATER FLE.



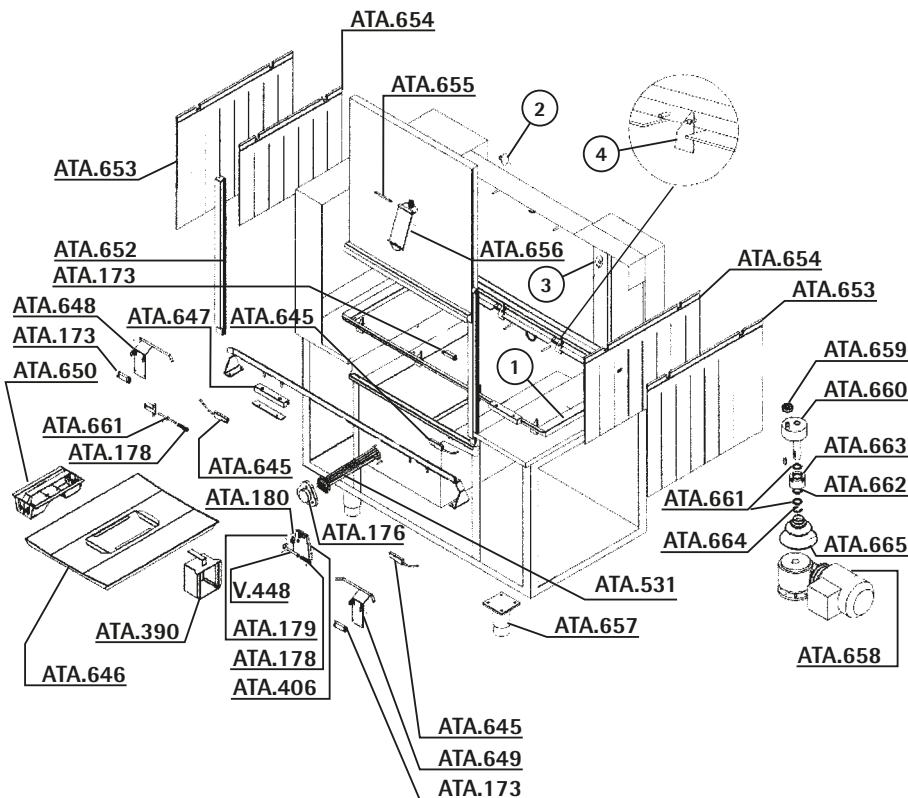
REF.	DESCRIPCIÓN	DESCRIPTION
ATA173	PLACA	PLATE
ATA176	PLETINA	FRAME
ATA178	MUELLE	SPRING
ATA179	TORICA	RING
ATA180	JUNTA	GASKET
ATA200	CONTACTOR	CONTACTOR
ATA208	FILTRO	FILTER
ATA211	REGLETA	CONECTOR
ATA268	TERMOSTATO	THERMOSTAT
ATA390	FILTRO	FILTER
ATA406	CAMARA PRESOSTATICA	PRESSURE SWITCH CHAMBER
ATA408	BOYA NIVEL	LEVEL FLOAT
ATA413	BOMBA VOLUMETRICA	VOLUMETRICA PUMP
ATA419	PASACABLES	WIRINGPIN
ATA454	PASACABLE	WIRINGPIN
ATA465	SONDA DETECCION FALTA DE DETER	PROBE FOR LACK DETERGENT
ATA466	BOMBA AUMENTO PRESION	BOOSTE PUMP
ATA481	TUBO	PIPE
ATA531	RESISTENCIA 6000W	6000W RESISTANCE
ATA537	TUBO	PIPE
ATA539	CODO	ELBOW
ATA540	FILTRO	FILTER
ATA541	TORNILLO	SCREW
ATA548	CAMBIO TENSION BOMBA	WIRING
ATA554	VISOR	VISOR
ATA558	FILTRO ATA 11	ATA 11 FILTER
ATA559	PATA	FOOT
ATA560	CABLE PROGRAMADOR	TIMER WIRING
ATA561	CABLE CENTRALITA	ELECTRONIC BOX CABLE
ATA563	DISPLAY	DISPLAY
ATA577	SONDA TERMOSTATO	THERMOSTAT PROBE
ATA691	PLACA ELECTRONICA	CONTROL BOARD
ATA692	MICROINTERRUPTOR	MICROSWITCH
ATA695	RELE	RELAY





REF.	DESCRIPCIÓN	DESCRIPTION
ATA189	TUBO	PIPE
ATA190	BOMBA DOSIFICADOR	POMPE
ATA192	TUBO	PIPE
ATA210	RESIS.CALDERIN 3000W/220V ATA	RESIS. 3000W/220V
ATA212	FILTRO	FILTER
ATA214	FILTRO	FILTER
ATA240	T EMPALME	T ASSEMBLY
ATA248	EJE	ROD
ATA249	COJINETE	BALL BEARING
ATA257	VALVULA	VALVE
ATA258	JUNTA	GASKET
ATA259	TAPON VALVULA	COVER VALVE
ATA260	PERNO TUERCA	BOLT NUT
ATA261	JUNTA	GASKET
ATA262	TUERCA	NUT
ATA263	JUNTA	GASKET
ATA336	TUERCA	NUT
ATA337	ANILLO	RING
ATA338	ARANDELA	WASHER
ATA339	JUNTA	GASKET
ATA361	JUNTA TORICA	GASKET RING
ATA362	TUERCA	NUT
ATA388	TUBO	PIPE
ATA394	TUBO	PIPE
ATA395	TUBO	PIPE
ATA397	CALDERIN	BOILER
ATA420	GIRATORIO ACLARADO	RINSE GYRATORY
ATA427	RACOR	FITTING
ATA437	TUERCA ROCIADOR	JET NUT
ATA438	ROMPECHORROS	THREAD
ATA439	BRIDA SURTIDOR ACLARADO	CLEAR CLASP
ATA444	JUNTA	GASKET
ATA452	SOPORTE GIRANTE INF/SUP.	REVOLVING ARM SUPPORT
ATA528	GIRATORIO ATA 10	ATA 10 GIRATORY
ATA529	TAPON	LOVER
ATA530	MOTOR	MOTOR
ATA531	RESISTENCIA 6000W	6000W RESISTANCE
ATA533	TUBO	PIPE
ATA534	TUBO	PIPE
ATA535	BRAZO LAVADO SUPERIOR	UPPER WASHING ARM
ATA536	BRAZO LAVADO INFERIOR	LOWER WASHING ARM
ATA564	GIRATORIO LAVADO	WASHING GIRATORY
ATA565	CALDERIN	BOILER
ATA566	TUBO	PIPE
ATA567	ADAPTADOR GIRATORIO	ADAPTOR
ATA568	MANGUITO	SLEEVE
ATA569	T EMPALME	T FITTING
ATA570	CODO	ELBOW
ATA571	BOMBA DESAGÜE	DRAIN PIPE
FA.265	DOSIFABRILL.BAJA PRESION	LOW PRESSURE RINSE AID DOS.
H30414	RACOR EMPALME	UNION FITTING
V...5	TUBO GOMA 10X16 20 ATM	20ATM 10X16 20 RUBBER PIPE
V.132	ELECTROVAL.1 VIA LAV.220V	WASH 1 WAY 220V SOLENOID
V.201	TUBO DESAGÜE 28mm. 1,5mt.	28mm. 1.5mt OUTLET PIPE
V.415	TOMA LAVADORA 1,5M	QUALITY 1.5M.INLET W.FLEX
V.448	TUBO PRESOSTATO-METRO 4X6	4X6 PRE.SWITCH INLET PIPE
V.815	TOMA LAVADORA 2 METROS	2 MT.INLET WATER FLEXIBLE
V.825	TOMA LAVADORA 1.5 "ECO"	"ECO"1.5M INLET WA.FLEXIB
V.848	TOMA LAVADORA 1.5M INOX	INOX 1.5M INLET WATER FL.
V.849	TOMA LAV.INOX 2MT.3/4X3/4	INOX 2MT.INLET WATER FLE

Componentes eléctricos / Carrocería ATR 75 (ATA 14) ■ (ATA 14) ATR 75 Bodywork / Electric components

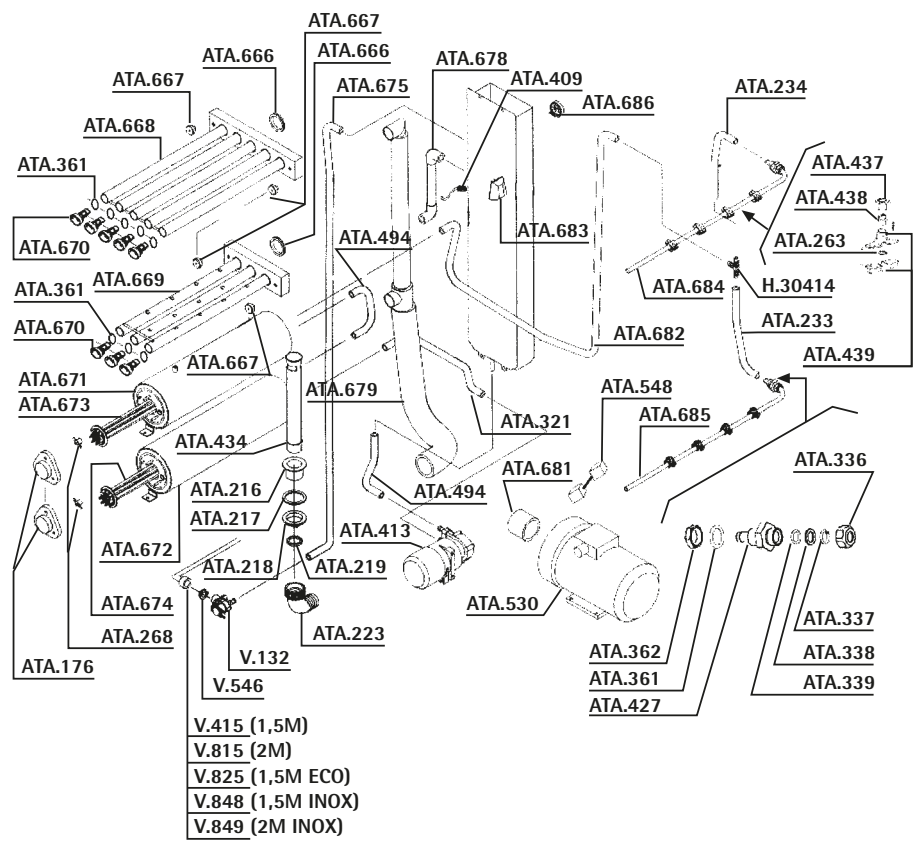


REF.	DESCRIPCIÓN	DESCRIPTION
ATA173	PLACA	PLATE
ATA176	PLETINA	FRAME
ATA178	MUELLE	SPRING
ATA179	TORICA	RING
ATA180	JUNTA	GASKET
ATA390	FILTRO	FILTER
ATA406	CAMARA PRESOSTATICA	PRESSURE SWITCH CHAMBER
ATA531	RESISTENCIA 6000W	6000W RESISTANCE
ATA645	MICROINTERRUPTOR	MICROSWITCH
ATA646	FILTRO	FILTER
ATA647	SOPORTE	SUPPORT
ATA648	ECONOMIZADOR IZQUIERDO	LEFT FILTER
ATA649	ECONOMIZADOR DERECHO	RIGHT FILTER
ATA650	FILTRO	FILTER
ATA652	GUIA	GUIDE
ATA653	CORTINA	COURTAIN
ATA654	CORTINA	COURTAIN
ATA655	PASADOR MANEA PUERTA	PIN
ATA656	MANETA PUERTA	DOOR HANDLE
ATA657	PATA	FOOT
ATA658	MOTOR REDUCTOR	REDUCER MOTOR
ATA659	COJINETE	BALL BEARING
ATA660	EXCENTRICA	NUT
ATA661	JUNTA	GASKET
ATA662	JUNTA	GASKET
ATA663	JUNTA	GASKET
ATA664	JUNTA	GASKET
ATA665	ADAPTADOR	ADAPTER
V.448	TUBO PRESOSTATO-METRO 4X6	4X6 PRE.SWITCH INLET PIPE

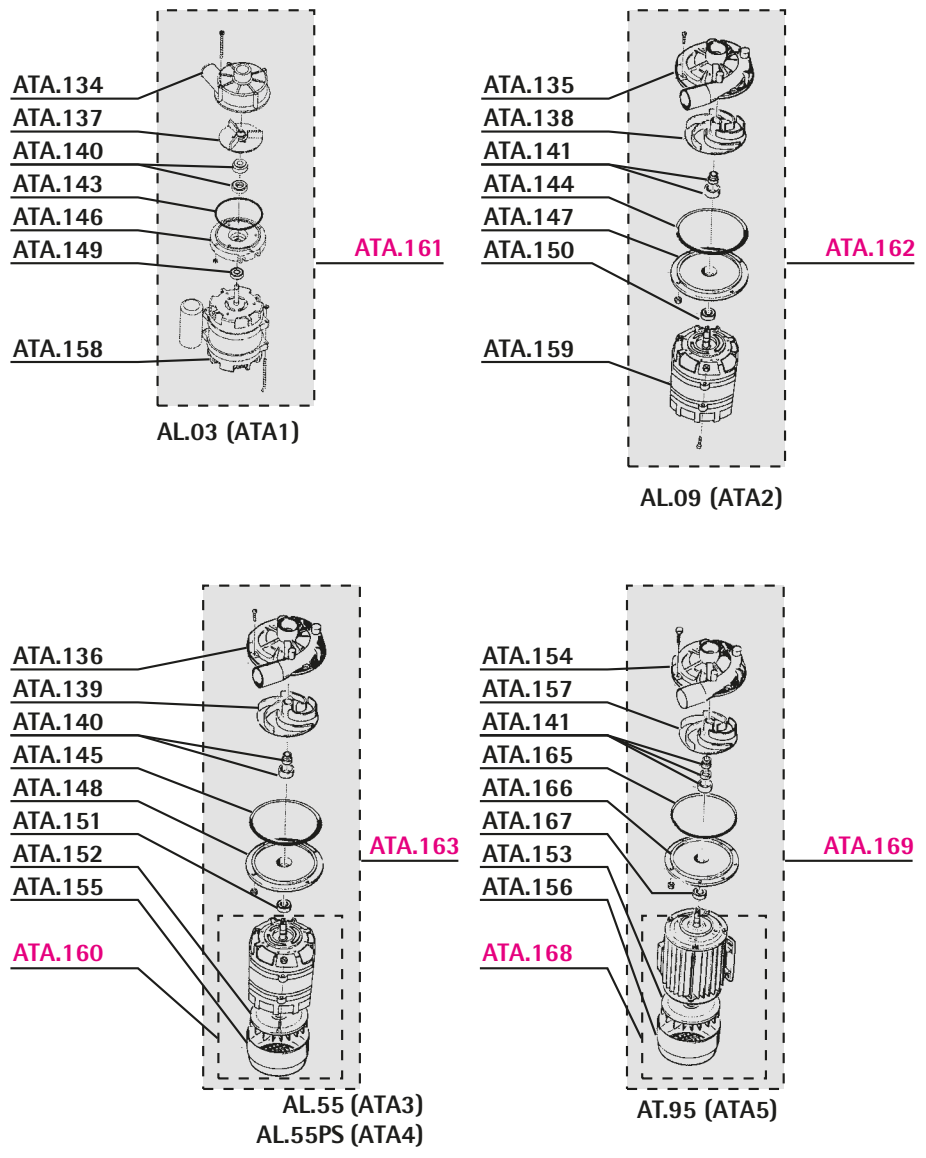


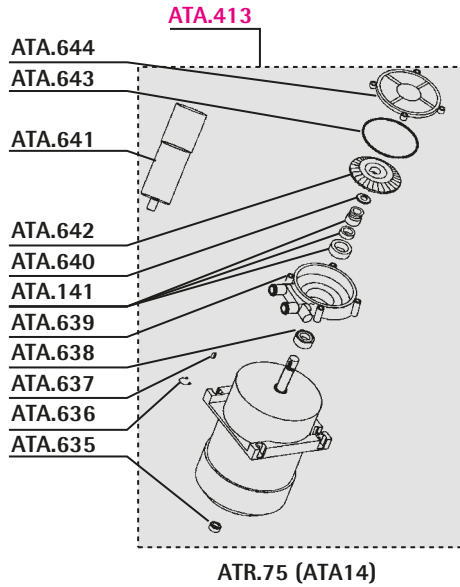
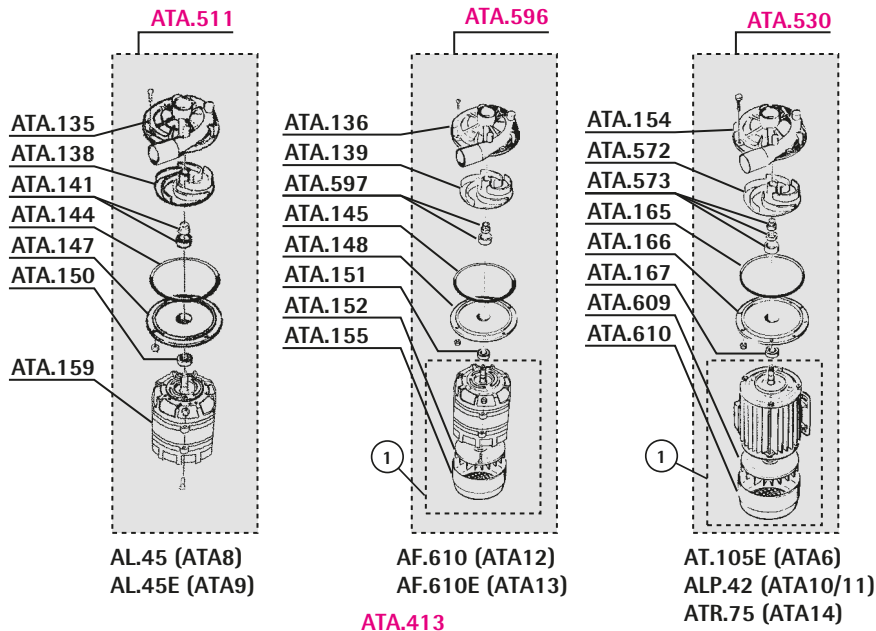
Save time and money..
Order **ASCASO** your spare parts.

REF.	DESCRIPCIÓN	DESCRIPTION
ATA176	PLETINA	FRAME
ATA216	RACOR	FITTING
ATA217	JUNTA	GASKET
ATA218	TUERCA	NUT
ATA219	JUNTA	GASKET
ATA223	CODO	ELBOW
ATA233	TUBO	PIPE
ATA234	TUBO	PIPE
ATA263	JUNTA	GASKET
ATA268	TERMOSTATO	THERMOSTAT
ATA321	TUBO	PIPE
ATA336	TUERCA	NUT
ATA337	ANILLO	RING
ATA338	ARANDELA	WASHER
ATA339	JUNTA	GASKET
ATA361	JUNTA TORICA	GASKET RING
ATA362	TUERCA	NUT
ATA409	TUBO	PIPE
ATA413	BOMBA VOLUMETRICA	VOLUMETRIC PUMP
ATA427	RACOR	FITTING
ATA434	REBOSADERO	OVERFLOW
ATA437	TUERCA ROCIADOR	JET NUT
ATA438	ROMPECHORROS	THREAD
ATA439	BRIDA SURTIDOR ACLARADO	CLEAR CLASP
ATA494	TUBO	PIPE
ATA530	MOTOR	MOTOR
ATA548	CAMBIO TENSION BOMBA	WIRING
ATA666	JUNTA	GASKET
ATA667	TORNILLO	SCREW
ATA668	DISTRIBUIDOR LAVADO	WASH DISTRIBUTOR
ATA669	DISTRIBUIDOR LAVADO	WASH DISTRIBUTOR
ATA670	TAPON LAVADO	WASHING COVER
ATA671	CALDERIN ATA 14	BOILER ATA 14
ATA672	CALDERIN ATA 14	BOILER ATA 14
ATA673	RESISTENCIA 6000W	RESISTANCE 6000W
ATA674	RESISTENCIA 9000W	RESISTANCE 9000W
ATA675	TUBO	PIPE
ATA676	TUBO	PIPE
ATA678	TUBO	PIPE
ATA679	TUBO	PIPE
ATA681	TUBO	PIPE
ATA682	TUBO ATA REF: 60135	PIPE
ATA683	CAMARA PRESOSTATICA	PRESSURER SWITCH CHAMBER
ATA684	TUBO ACLARADO SUPERIOR	UPPER RINSE PIPE
ATA685	TUBO ACLARADO INFERIOR	LOWER RINSE INFERIEUR
ATA686	PRESOSTATO	PRESSUKRE SWITCH
H30414	RACOR EMPALME	UNION FITTING
V.132	ELECTROVALVIA VIA LAV.220V	WASH 1 WAY 220V SOLENOID
V.415	TOMA LAVADORA 1,5M	QUALITY 1.5M.INLET W.FLEX
V.546	JUNTA GOMA 3/4	WATER INLET RUBBER GASKET
V.815	TOMA LAVADORA 2 METROS	2 MT.INLET WATER FLEXIBLE
V.825	TOMA LAVADORA 1.5 "ECO"	"ECO"1.5M INLET WA.FLEXIB
V.848	TOMA LAVADORA 1.5M INOX	INOX 1.5M INLET WATER FL.
V.849	TOMA LAV.INOX 2MT.3/4X3/4	INOX 2MT.INLET WATER FLE.



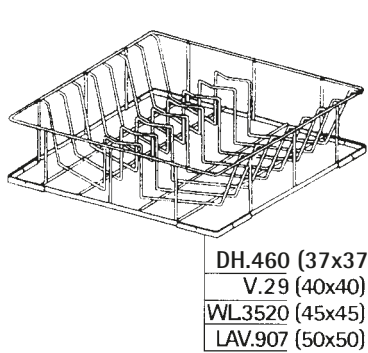
REF.	DESCRIPCIÓN	DESCRIPTION
ATA134	TAPA MOTOR	MOTOR LID
ATA135	TAPA MOTOR	MOTOR LID
ATA136	TAPA MOTOR	MOTOR LID
ATA137	TURBINA	TURBINE
ATA138	TURBINA	TURBINE
ATA139	TURBINA	TURBINE
ATA140	RETEN	MECHANCCAL SEAL
ATA141	RETEN	MECHANCCAL SEAL
ATA143	JUNTA MOTOR	MOTOR SEAL
ATA144	JUNTA MOTOR	MOTOR SEAL
ATA145	JUNTA MOTOR	MOTOR SEAL
ATA146	BASE TAPA	LID BASE
ATA147	BASE TAPA	LID BASE
ATA148	BASE TAPA	LID BASE
ATA149	COJINETE	BALL BEARING
ATA150	COJINETE	BALL BEARING
ATA151	COJINETE	BALLBEARING
ATA152	VENTILADOR MOTOR	MOTOR FAN
ATA153	VENTILADOR MOTOR	MOTOR FAN
ATA154	TAPA MOTOR	LID MOTOR
ATA155	TAPA VENTILADOR	FAN LID
ATA156	TAPA VENTILADOR	FAN LID
ATA157	TURBINA	TURBINE
ATA158	CUERPO MOTOR	MOTOR BODY
ATA159	CUERPO MOTOR	MOTOR BODY
ATA160	CUERPO MOTOR	MOTOR BODY
ATA161	MOTOR COMPLETO ATA..1	COMPLET MOTOR
ATA162	MOTOR COMPLETO	COMPLET MOTOR
ATA163	MOTOR COMPLETO	COMPLET MOTOR
ATA165	JUNTA MOTOR	MOTOR SEAL
ATA166	BASE TAPA	LID BASE
ATA167	COJINETE	BALL BEARING
ATA168	CUERPO MOTOR	MOTOR BODY
ATA169	MOTOR AT.95	MOTOR AT.95



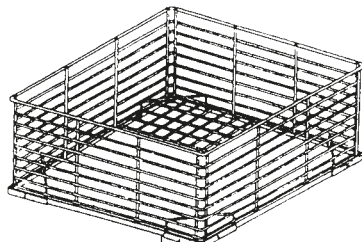


REF.	DESCRIPCIÓN	DESCRIPTION
ATA.135	TAPA MOTOR	MOTOR LID
ATA.138	TAPA MOTOR	MOTOR LID
ATA.138	TURBINA	TURBINE
ATA.139	TURBINA	TURBINE
ATA.141	RETEN	MECHANICAL SEAL
ATA.144	JUNTA MOTOR	MOTOR SEAL
ATA.145	JUNTA MOTOR	MOTOR SEAL
ATA.147	BASE TAPA	LID BASE
ATA.148	BASE TAPA	LID BASE
ATA.150	COJINETE	BALL BEARING
ATA.151	COJINETE	BALL BEARING
ATA.152	VENTILADOR MOTOR	MOTOR FAN
ATA.154	TAPA MOTOR	LID MOTOR
ATA.155	TAPA VENTILADOR	FAN LID
ATA.159	CUERPO MOTOR	MOTOR BODY
ATA.165	JUNTA MOTOR	MOTOR SEAL
ATA.166	BASE TAPA	LID BASE
ATA.167	COJINETE	BALL BEARING
ATA.413	BOMBA VOLUMETRICA	VOLUMETRIC PUMP
ATA.511	MOTOR ATA 8/9	ATA 8/9 MOTOR
ATA.530	MOTOR	MOTOR
ATA.572	TURBINA	TURBINE
ATA.573	RETEN MOTOR	MECHANICAL SEAL
ATA.596	MOTOR ATA 12	ATA 12 MOTOR
ATA.597	RETEN ATA 12	MECHANICAL SEAL
ATA.609	HELICE MOTOR	MOTOR PROPELLER
ATA.610	TAPA MOTOR INFERIOR	LOWER MOTOR LID
ATA.635	COJINETE	BALL BEARING
ATA.636	SEGER	SEGER
ATA.637	PASADOR	PIN
ATA.638	COJINETE	BALL BEARING
ATA.639	CUERPO TAPA BOMBA	PUMP LID BODY
ATA.640	ARANDELA	WASHER
ATA.641	CONDENSADOR ATA 413	CONDENSER
ATA.642	TURBINA	TURBINE
ATA.643	JUNTA MOTOR ATA 413	ATA 413 MOTOR GASKET
ATA.644	TAPA MOTOR ATA 413	ATA 413 MOTOR LID

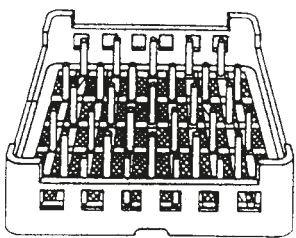
Cestos ■ Baskets



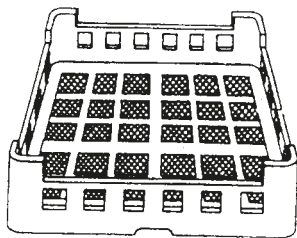
DH.460 (37x37)
V.29 (40x40)
WL.3520 (45x45)
LAV.907 (50x50)



WL.3510 (36x36)
LAV.902 (38x38)
WL.3511 (40x40)
WL.3512 (45x45)
LAV.905 (50x50)

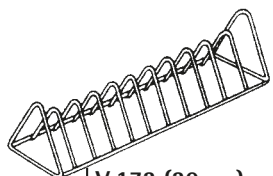


V.1252 (50x50)

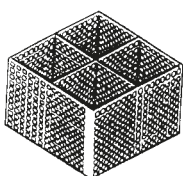


V.1250 (50x50)

GAMA COMPLETA
COMPLET RANGE
PAG. 34



V.173 (30 cm)
V.175 (42 cm)
V.964 (36 cm)



V.526



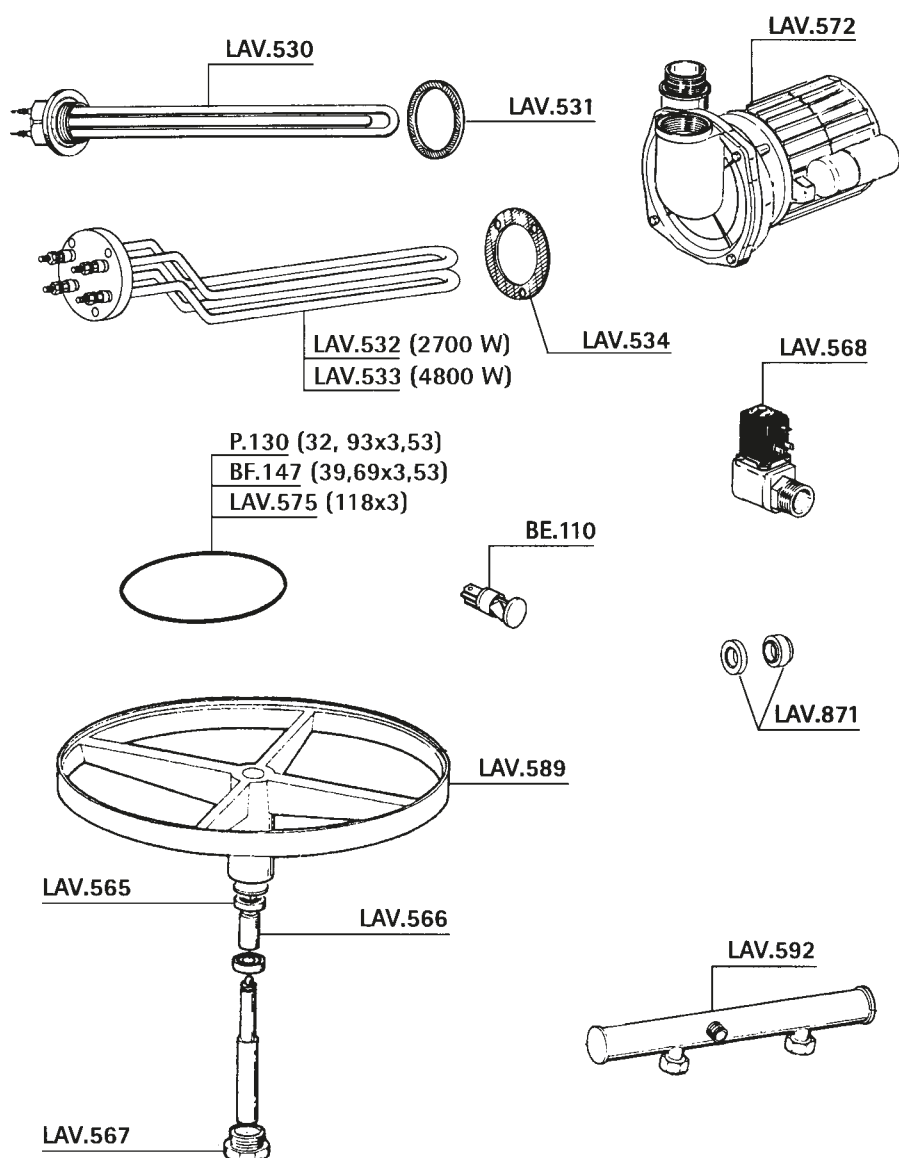
V.32



V.610

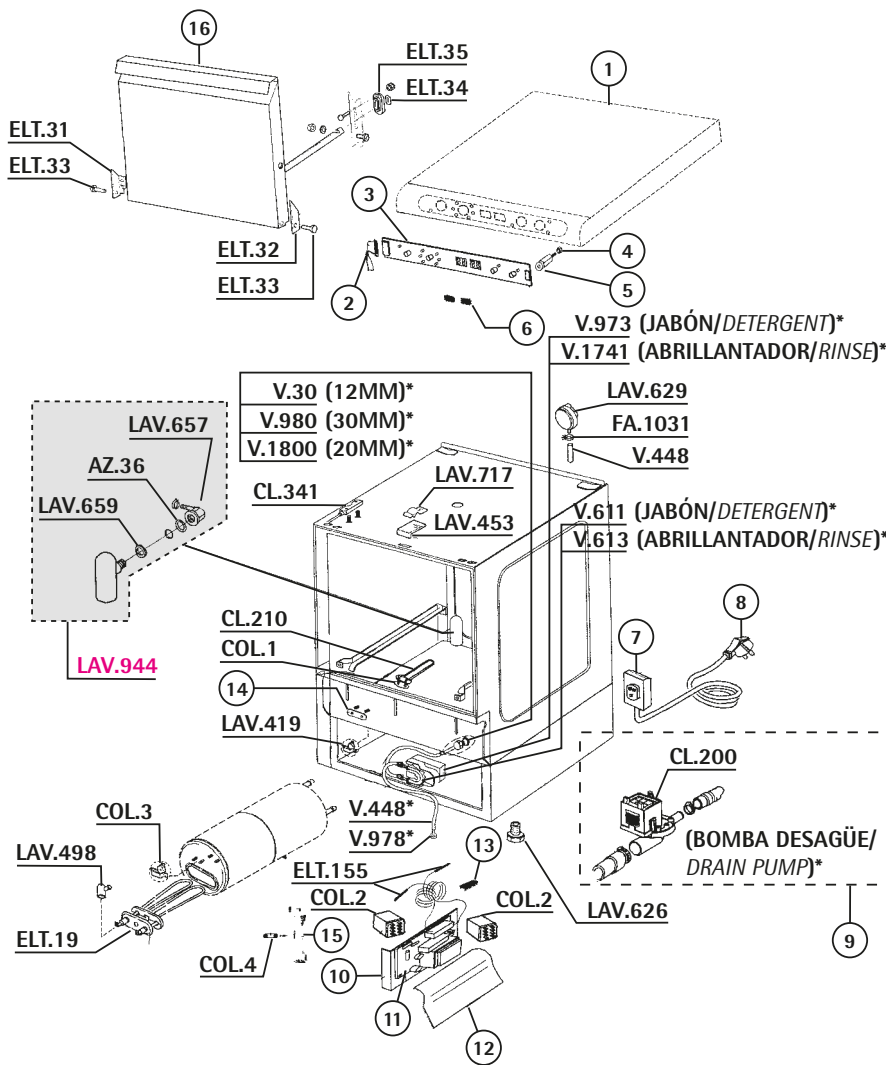
REF.	DESCRIPCIÓN	DESCRIPTION
DH.460	CESTO CUADRO PLATOS 37X37	37X37 DISH BASKET
LAV902	CESTO VASOS 38X38	38X38 GLASSES BASKET
LAV905	CESTO VASOS 50x50	50X50 GLASSES BASKET
LAV907	CESTO PLATOS 50x50	50X50 DISH BASKET
V...29	CESTO CUADRO PLATOS 40x40	40X40 SQUARE PLATE BASKET
V...32	CESTO CUCHARAS PLASTICO	PLASTIC SPOON BASKET
V.173	INSERTO PLATOS 30CMT.	30CMT DISHES INSERT
V.175	INSERTO PLATOS 42CMT.	42CMT DISHES INSERT
V.526	CESTO CUCHARAS CUADRADO	SQUARE SPOON BASKET
V.610	CANTONERA CESTO CUADRADO	BASKET SQUARE CORNERPIECE
V.964	INSERTO PLATOS 36cm	36cm DISHES INSERT
V.1250	CESTA VASOS 50X50	50X50 GLASSES RACK
V.1252	CEST.PLATOS-BANDEJA 50X50	PLATES AND TRAYS RACK
WL3510	CESTO CUADRO VASOS 36x36	36X36 GLASSES BASKET
WL3511	CESTO CUADRO VASOS 40x40	40X40 GLASSES BASKET
WL3512	CESTO CUADRO VASOS 45x45	45X45 GLASSES BASKET
WL3520	CESTO CUADRO PLATOS 45x45	45X45 DISH BASKET

REF.	DESCRIPCIÓN	DESCRIPTION
BE.110	PILOTO AMBAR 13mm 220V	13mm 220V YELLOW LAMP
BF.147	TORICA RESISTENCIA GOMA	RESISTANCE RUBBER RING
LAV530	RESISTENCIA 1000W 230V	RESISTANCE 1000W 230V
LAV531	JUNTA RESISTENCIA ALIMEN.	RESISTANCE ALIMEN.GASKET
LAV532	RESISTENCIA 2700W/230V	RESISTANCE 2700W/230V
LAV533	RESISTENCIA 4800W 230V	RESISTANCE 4800W/230V
LAV534	JUNTA RESISTENCIA ALIMENTARIA	RESISTANCE ALIMENTARY GASKET
LAV565	COJINETE GRANDE	GREAT BALL BEARING
LAV566	EJE VOLANTE	ROTATING PLATE ROD
LAV567	TAPON VOLANTE	ROTATING PLATE CAP
LAV568	ELECTROV.SIRAI 220V 1/2	SIRAI SOLENOID
LAV572	MOTOR MODELO-6	MOD.6 MOTOR
LAV575	TORICA BOMBA	PUMP RING
LAV589	VOLANTE 35CM.	35CM. ROTATING PLATE
LAV592	INTERCAMBIADOR	HEAT EXCHANGER
LAV871	RETEN EJE MOTOR	MECHANICAL SEAL RING
P.130		



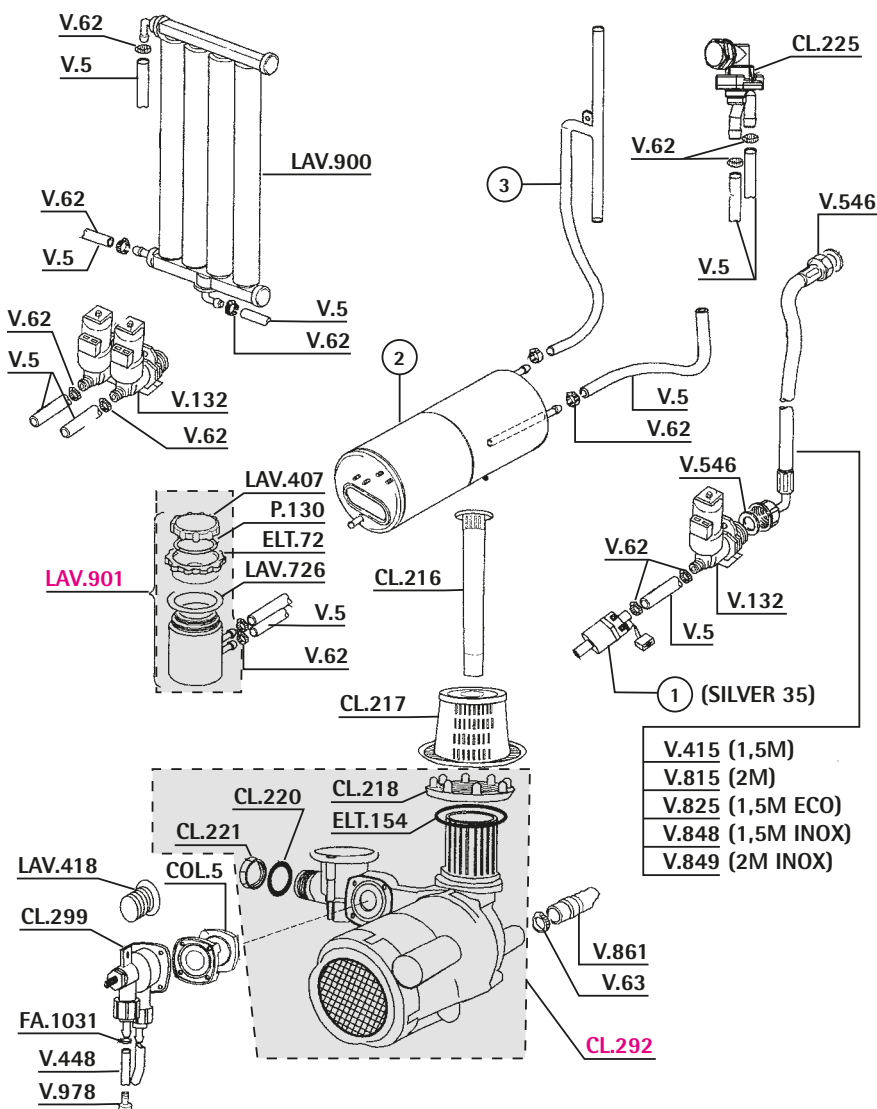
Índice COLGED index

Puerta / Frontal mandos / Bomba desagüe SILVER 35 / SILVER 40	SILVER 35 / SILVER 40 Drain pipe / Panel control / Door	417
Motor / Calderín / Depurador SILVER 35 / SILVER 40	SILVER 35 / SILVER 40 Purifiers / Boiler / Motor	418
Lavado / Aclarado SILVER 35	SILVER 35 Wash / Rinse	419
Lavado / Aclarado / Motor SILVER 40	SILVER 40 Wash / Rinse / Motor	420
Puerta / Frontal mandos / Bomba desagüe SILVER 45	SILVER 45 Drain pipe / Control panel / Door	421
Motor / Calderín / Depurador SILVER 45	SILVER 45 Purifier / Boiler / Motor	422
Calderín / Dosificador abrillantador SILVER 45	SILVER 45 Rinse aid / Boiler	423
Lavado / Aclarado SILVER 45	SILVER 45 Rinse / Wash	424
Motor SILVER 45	SILVER 45 Motor	425
Puerta / Frontal mandos / Bomba desagüe ONYX 40	ONYX 40 Drain pipe / Control panel / Door	426
Motor / Calderín / Depurador ONYX 40	ONYX 40 Purifier / Boiler / Motor	427
Lavado / Aclarado / Motor ONYX 40	ONYX 40 Rinse / Wash / Motor	428
Puerta / Componentes eléctricos SILVER 50 / SILVER 50 (MARINA) / ONIX 50	SILVER 50 / SILVER 50 (MARINA) / ONIX 50 Electric components / Door	429
Calderín / Dosificador abrillantador SILVER 50 / SILVER 50 (MARINA) / ONIX 50	SILVER 50 / SILVER 50 (MARINA) / ONIX 50 Rinse aid / Boiler	430
Depurador / Filtro / Rebosadero SILVER 50 / SILVER 50 (MARINA) / ONIX 50	SILVER 50 / SILVER 50 (MARINA) / ONIX 50 Overflow / Filter / Purifier	431
Filtro / Distribuidor SILVER 50 / SILVER 50 (MARINA) / ONIX 50	SILVER 50 / SILVER 50 (MARINA) / ONIX 50 Distributor / Filter	432
Lavado / Aclarado SILVER 50 / SILVER 50 (MARINA) / ONIX 50	SILVER 50 / SILVER 50 (MARINA) / ONIX 50 Rinse / Wash	433
Motor SILVER 50 / ONIX 50	SILVER 50 / ONIX 50 Motor	434
Puerta / Componentes eléctricos STEEL 31-31H / STEEL 41-41H	STEEL 31-31H / STEEL 41-41H Electric components / Door	435
Calderín / Depurador / Filtro STEEL 31-31H / STEEL 41-41H	STEEL 31-31H / STEEL 41-41H Filter / Purifier / Boiler	436
Lavado / Aclarado / Motor STEEL 31-31H	STEEL 31-31H Motor / Rinse / Wash	437
Lavado / Aclarado / Motor STEEL 41-41H	STEEL 41-41H Motor / Rinse / Wash	438
Puerta / Componentes eléctricos STEEL 45	STEEL 45 Electric components / Door	439
Calderín / Dosificador abrillantador STEEL 45	STEEL 45 Rinse aid / Boiler	440
Depurador / Filtro / Bomba STEEL 45	STEEL 45 Pompe / Filter / Purifier	441
Lavado / Aclarado STEEL 45	STEEL 45 Rinse / Wash	442
Motor STEEL 45	STEEL 45 Motor	443
Puerta / Componentes eléctricos STEEL 51 / STEEL 51HP	STEEL 51 / STEEL 51HP Electric componentes / Door	444
Calderín / Dosificador abrillantador / Bomba desagüe STEEL 51 / STEEL 51HP	STEEL 51 / STEEL 51HP Drain pump / Rinse aid / Boiler	445
Depurador / Bomba desagüe / Filtro STEEL 51 / STEEL 51HP	STEEL 51 / STEEL 51HP Filter / Drain pump / Purifier	446
Distribuidor / Filtro STEEL 51 / STEEL 51HP	STEEL 51 / STEEL 51HP Filter / Distributor	447
Lavado / Aclarado STEEL 51 / STEEL 51HP	STEEL 51 / STEEL 51HP Rinse / Wash	448
Motor STEEL 51 / STEEL 51HP	STEEL 51 / STEEL 51HP Motor	449
Puerta / Componentes eléctricos / Filtros STEEL 58	STEEL 58 Filters / Electric components / Door	450
Calderín / Bomba desagüe STEEL 58	STEEL 58 Drain pump / Boiler	451
Depurador / Filtro / Bomba desagüe STEEL 58	STEEL 58 Drain pump / Filter / Purifier	452
Lavado / Aclarado / Motor STEEL 58	STEEL 58 Motor / Rinse / Wash	453
Puerta / Carrocería GL 42 / GOLD 43	GL 42 / GOLD 43 Bodywork / Door	454
Componentes eléctricos GL 42 / GOLD 43	GL 42 / GOLD 43 Electric components	455
Depurador / Filtro / Dosificador abrillantador GL 42 / GOLD 43	GL 42 / GOLD 43 Rinse aid / Filter / Purifier	456
Calderín / Dosificador abrillantador / Bomba desagüe GL 42 / GOLD 43	GL 42 / GOLD 43 Rinse aid / Boiler / Drain pump	457-458
Lavado / Aclarado / Motor GL 42 / GOLD 43	GL 42 / GOLD 43 Motor / Rinse / Wash	459
Bomba / Depósito GL 42	GL 42 Tank / Pump	460
Puerta / Componentes eléctricos GOLD 56	GOLD 56 Electric components / Door	461
Lavado / Aclarado GOLD 56	GOLD 56 Rinse / Wash	462
Depurador / Bomba desagüe GOLD 56	GOLD 56 Drain pump / Purifier	463
Deposito / Filtro desagüe GOLD 56	GOLD 56 Tank / Drain pump	464-465
GS 60	GS 60	466-468
Cestos	Baskets	469



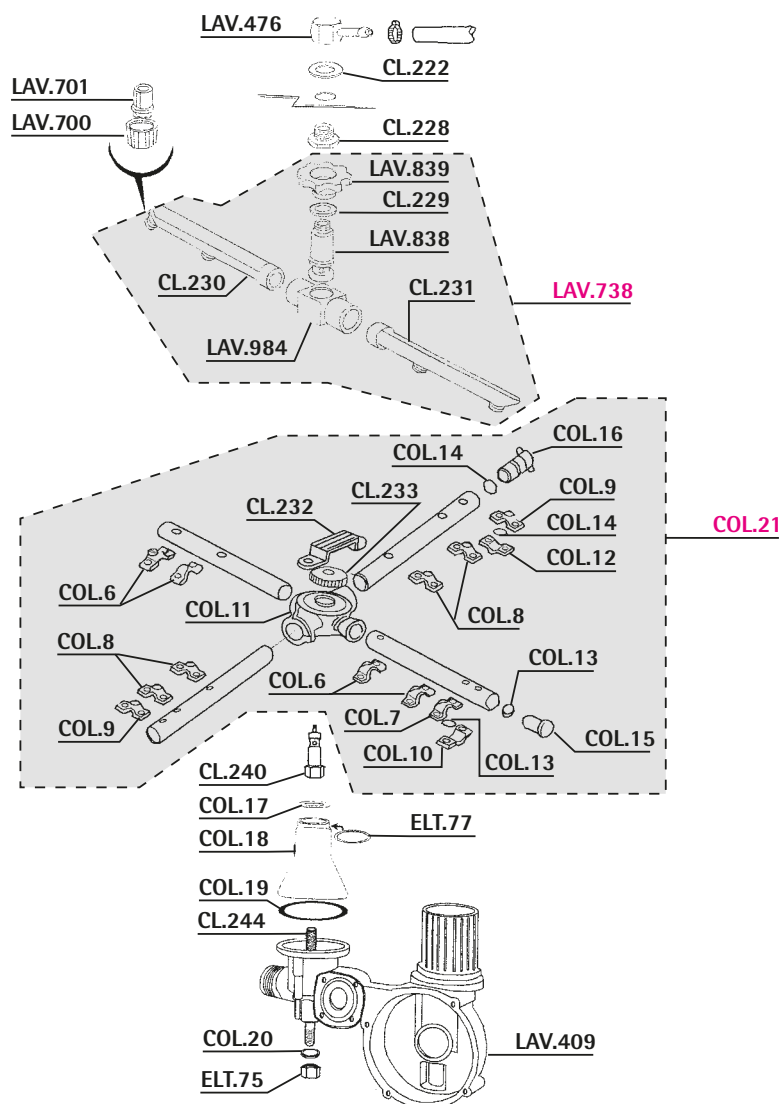
REF.	DESCRIPCIÓN	DESCRIPTION
AZ..36	TORICA GOMA EPDM	RING
CL.200	BOMBA CENTRIFUGA	PUMP
CL.210	RESIST.CUBA 600W 230V	RESISTANCE TANK 600W/230V
CL.341	IMAN	MAGNET
COL..1	PLETINA RESISTENCIA	RESISTANCE PLATE
COL..2	RELE	RELAY
COL..3	TERMOSTATO CALDERIN	BOILER THERMOSTATE
COL..4	FUSIBLE 5x20 4A	FUSE 5x20 4A
ELT.19	RESIST.CALDERIN 2600W 230V	230V/2600W BOILER RESISTANCE
ELT.31	ESCUADRA PUERTA IZQUIERDA	LEFT DOOR SQUARE
ELT.32	ESCUADRA PUERTA DERECHA	RIGHT DOOR SQUARE
ELT.33	PERNO BISAGRA	HINGE BOLT
ELT.34	PLANCHA ENGANCHE PUERTA	DOOR PLATE
ELT.35	GUIA ENGANCHE PUERTA	DOOR GUIDE
ELT.155	SONDA TEMPERATURA RIVER 80	RIVER 80 TEMPERATURE PROBE
FA.1031	ABRAZADERA INOX 8-16	8-16 INOX CLAMP
LAV.419	TERMOSTATO CUBA 95°	95° TANK THERMOSTAT
LAV.453	BASE CIERRE	CLOSE BASE
LAV.498	RACOR T	T FITTING
LAV.626	PIE MAQUINA	MACHINE FOOT
LAV.629	PRESOSTATO SAL.HOR.35/17	35/17 HORIZ.PRESS.SWITCH
LAV.657	RACOR CAMPANA	PRESSURE SWITCH FITTING
LAV.659	JUNTA GOMA	RUBBER GASKET
LAV.717	MUELLE CIERRE	CLOSE SPRING
LAV.944	CAMARA PRESOSTATICA	PRES.SWITCH CHAMBER
V...30	RACOR ENTRADA JABON	INLET SOAP FITTING
V..448	TUBO PRESOSTATO-METRO 4X6	4X6 PRE.SWITCH INLET PIPE
V..611	TUBO INTERIOR DOS.PER. JABON	INLET PIPE
V..613	TUBO INTERIOR DOS.PER.ABRILLAN	RINS.AID INSIDE PIPE
V..973	DOSIFICADOR PERISTALTICO INTER	INTERNAL PERISTALTIC DOS.
V..978	FILTRO DOSIFICADOR	DOSIMETER FILTER
V..980	RACOR ENTRADA JABON LARGO	LONG INLET FITTING
V.1741	DOSIF.ABRILL.INTERNO 230V AC	230Vac INTERNAL RINSE DOSIMET
V.1800	RACOR ENTRADA JABON METALICO	METALIC DETER.INLET FITTING

Motor / Calderín / Depurador SILVER 35 / SILVER 40 ■ SILVER 35 / SILVER 40 Purifiers / Boiler / Motor

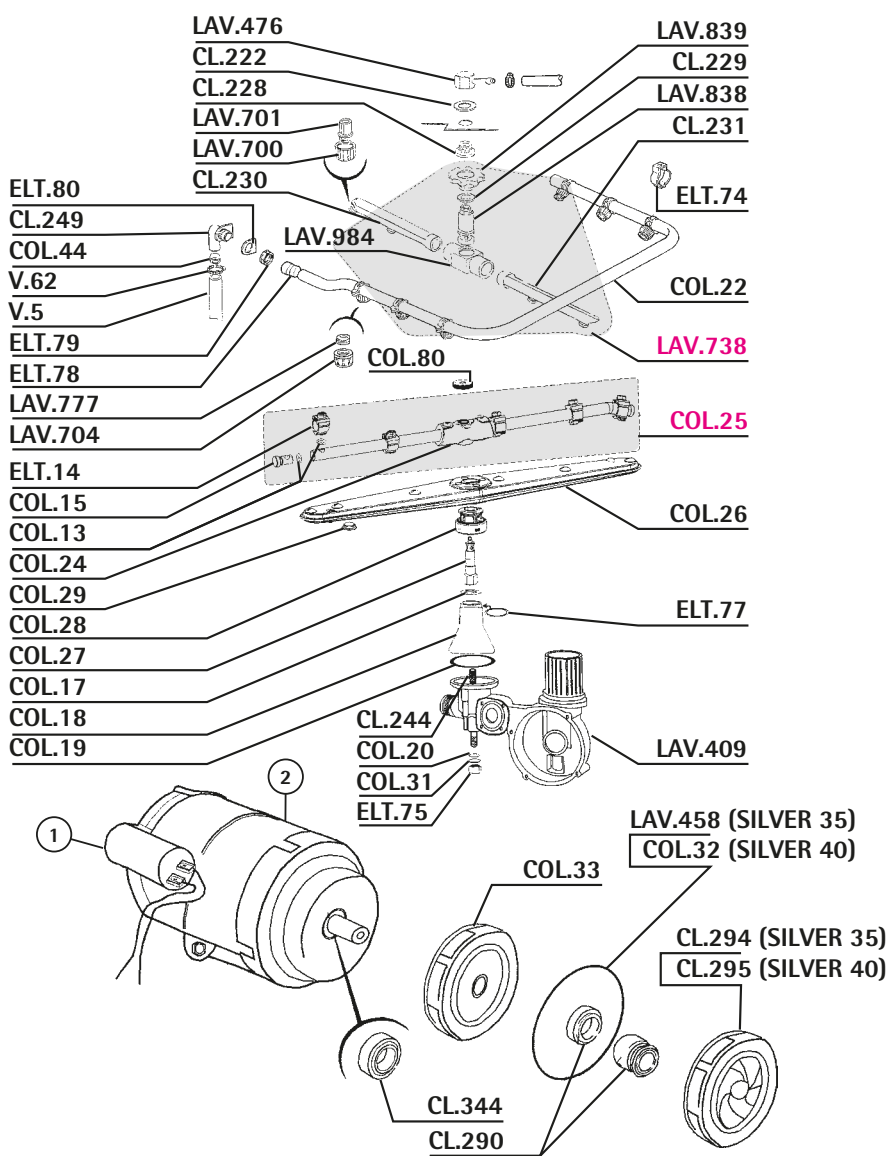


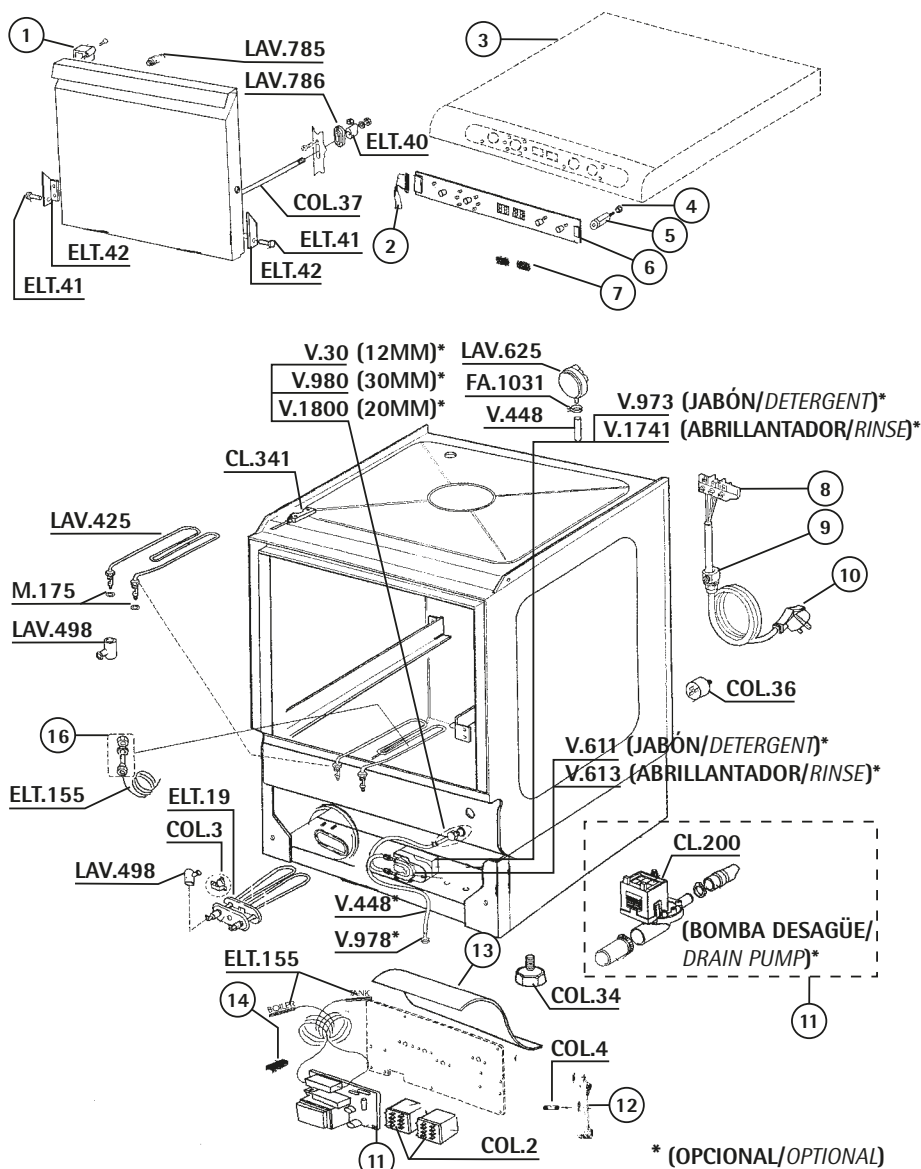
REF.	DESCRIPCIÓN	DESCRIPTION
CL.216	SOBRENIVEL	OVERFLOW
CL.217	FILTRO	FILTER
CL.218	BASE FILTRO	FILTER BASE
CL.220	TAPON	CAP
CL.221	TUERCA	NUT
CL.225	RACOR	FITTING
CL.292	MOTOR C350 0.25HP	C350 0.25HP MOTOR
CL.299	DOSIFICADOR HIDRAULICO	HIDRAULIC DOSIMETER
COL..5	JUNTA	GASKET
ELT.72	RACOR DEPOSITO SAL	FITTING SALT CONTAINER
ELT.154	JUNTA GOMA	RUBER GASKET
FA.1031	ABRAZADERA INOX 8-16	8-16 INOX CLAMP
LAV.407	TAPON DEPOSITO SAL	SALT TANK CAP
LAV.418	MEMBRANA DOSIFICADOR	DOSIMETER MEMBRANE
LAV.726	JUNTA GOMA BOTELLA SAL	BOTTLE SALT RUBBER GASKET
LAV.900	DEPURADOR LAVATAZAS	WASHING CUP PURIFIER
LAV.901	DEPOSITO SAL COMPLETO	SALT CONTAINER
P..130	TORICA EPDM	RING
V...5	TUBO GOMA 10X16 20 ATM	20ATM 10X17 RUBBER PIPE
V..62	ABRAZADERA 12-20	12-20 CLAMP
V..63	ABRAZADERA 20-32	20-32 CLAMP
V..132	ELECTROVAL.1 VIA LAV.220V	WASH 1 WAY 220V SOLENOID
V..132	ELECTROVAL.1 VIA LAV.220V	WASH 1 WAY 220V SOLENOID
V..415	TOMA LAVADORA 1,5M	QUALITY 1.5M.INLET W.FLEX
V..448	TUBO PRESOSTATO-METRO 4X6	4X6 PRE.SWITCH INLET PIPE
V..546	JUNTA GOMA 3/4	WATER INLET RUBBER GASKET
V..815	TOMA LAVADORA 2 METROS	2 MT.INLET WATER FLEXIBLE
V..825	TOMA LAVADORA 1.5 "ECO"	"ECO"1.5M INLET WA.FLEXIB
V..848	TOMA LAVADORA 1.5M INOX	INOX 1.5M INLET WATER FL.
V..849	TOMA LAV.INOX 2MT.3/4X3/4	INOX 2MT.INLET WATER FLE.
V..861	TUBO GOMA 12X22mm 20ATM	20ATM 12X22mm RUBBER PIPE
V..978	FILTRO DOSIFICADOR	DOSIMETER FILTER

REF.	DESCRIPCIÓN	DESCRIPTION
CL.222	TORICA	RING
CL.228	TAPON	CAP
CL.229	JUNTA TEFLON	TEFLON GASKET
CL.230	BRAZO ACLARADO IZQUIERDO	LEFT RINSE ARM
CL.231	BRAZO ACLARADO DERECHO	RIGHT RINSE ARM
CL.232	ABRAZADERA PLASTICO	PLASTIC CLAMP
CL.233	TUERCA INOX	INOX NUT
CL.240	EJE GIRATORIO	REVOLVING ARM ROD
CL.244	EJE	ROD
COL.6	ROCIADOR	SPRAY
COL.7	ROCIADOR	SPRAY
COL.8	ROCIADOR	SPRAY
COL.9	ROCIADOR	SPRAY
COL.10	BRIDA ROCIADOR	SPRAY CLASP
COL.11	CRUCETA	CROSSHEAD
COL.12	BRIDA ROCIADOR	SPRAY CLASP
COL.13	JUNTA ROCIADOR	SPRAY GASKET
COL.14	JUNTA ROCIADOR	SPRAY GASKET
COL.15	TAPON GIRATORIO	GIRATORY COVER
COL.16	TAPON GIRATORIO	GIRATORY COVER
COL.17	JUNTA COLECTOR INFERIOR	LOWER COLLECTOR GASKET
COL.18	COLECTOR INFERIOR	LOWER COLECTOR
COL.19	JUNTA	GASKET
COL.20	JUNTA	GASKET
COL.21	GITATORIO LAVADO COMPLETO	COMPLET WASHING GITATORY
ELT.75	TUERCA	NUT
ELT.77	JUNTA TEFLON	GASKET
LAV.409	CUERPO INFERIOR E35/40	E35/40 LOWER BODY
LAV.476	RACOR	FITTING
LAV.700	TUERCA ACLARADO	RINSE NUT
LAV.701	TAPON ACLARADO	RINSING CAP
LAV.738	ASTA ACLARADO SUPERIOR	UPPER RINSE ARM
LAV.838	EJE COLECTOR ACLARADO	COLLECTOR ROD
LAV.839	TUERCA FIJACION PLASTICO	PLASTIC FIXING NUT
LAV.984	COLECTOR SUP. ACLARADO	RINSING UPPER COLLECTOR



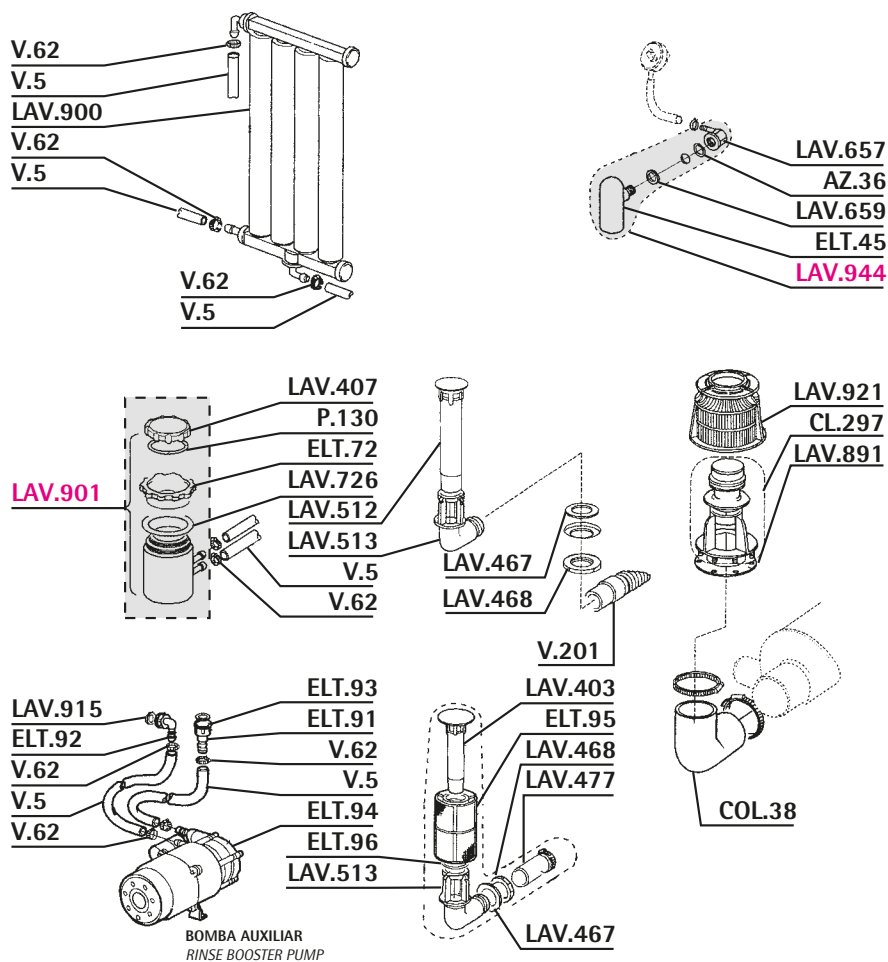
REF.	DESCRIPCIÓN	DESCRIPTION
CL.222	TORICA	RING
CL.228	TAPON	CAP
CL.229	JUNTA TEFLON	TEFLON GASKET
CL.230	BRAZO ACLARADO IZQUIERDO	LEFT RINSE ARM
CL.231	BRAZO ACLARADO DERECHO	RIGHT RINSE ARM
CL.244	EJE	ROD
CL.249	CODO	ELBOW
CL.290	RETEN	MECHANICAL SEAL
CL.294	GIRANTE C350	C350 GYRATORY
CL.295	GIRANTE C400	C400 GYRATORY
CL.344	COJINETE C350/400	C350/400 BALL BEARING
COL.13	JUNTA ROCIADOR	SPRAY GASKET
COL.15	TAPON GIRATORIO	GIRATORY COVER
COL.17	JUNTA COLECTOR INFERIOR	LOWER COLLECTOR GASKET
COL.18	COLECTOR INFERIOR	LOWER COLECTOR
COL.19	JUNTA	GASKET
COL.20	JUNTA	GASKET
COL.22	ASTA ACLARADO	RINSE ARM
COL.24	UNION GIRATORIO	JUNCTION GIRATORY
COL.25	GIRATORIO LAVADO	WASHING GIRATORY
COL.26	GIRATORIO LAVADO	WASHING GIRATORY
COL.27	EJE GIRATORIO	GIRATORY ROD
COL.28	ADAPTADOR GIRATORIO	GIRATORY ADAPTOR
COL.29	ROCIADOR	SPRAY
COL.31	JUNTA	GASKET
COL.32	JUNTA TAPA MOTOR	MOTOR LID GASKET
COL.33	TURBINA	TURBINE
COL.44	CASQUILLO	CAP
COL.80	TORNILLO GIRATORIO	GIRATORY SCREW
ELT.14	ROCIADOR ACLARADO	RINSE SPRAY
ELT.74	BRIDA	CLASP
ELT.75	TUERCA	NUT
ELT.77	JUNTA TEFLON	GASKET
ELT.78	INSERTO	INSERT
ELT.79	TUERCA PLASTICO	NUT
ELT.80	JUNTA	GASKET
LAV.409	CUERPO INFERIOR E35/40	E35/40 LOWER BODY
LAV.458	TORICA BOMBA	PUMP RING
LAV.476	RACOR	FITTING
LAV.700	TUERCA ACLARADO	RINSE NUT
LAV.701	TAPON ACLARADO	RINSING CAP
LAV.704	RACOR LAVADO	WASHING FITTING
LAV.738	ASTA ACLARADO SUPERIOR	UPPER RINSE ARM
LAV.777	HELICE LAVADO	WASHING PROPELLER
LAV.838	EJE COLECTOR ACLARADO	COLLECTOR ROD
LAV.839	TUERCA FIJACION PLASTICO	PLASTIC FIXING NUT
LAV.984	COLECTOR SUP. ACLARADO	RINSING UPPER COLLECTOR
V...5	TUBO GOMA 10X16 20 ATM	20ATM 10X17 RUBBER PIPE
V...62	ABRAZADERA 12-20	12-20 CLAMP





REF.	DESCRIPCIÓN	DESCRIPTION
CL.200	BOMBA CENTRIFUGA	PUMP
CL.341	IMAN	MAGNET
COL..2	RELE	RELAY
COL..3	TERMOSTATO CALDERIN	BOILER THERMOSTATE
COL..4	FUSIBLE 5x20 4A	FUSE 5x20 4A
COL.34	PATA	FOOT
COL.36	FILTRO	FILTER
COL.37	VARILLA PUERTA	DOOR ROD
ELT.19	RESIST.CALDERIN 2600W 230V	230V/2600W BOILER RESISTANCE
ELT.40	FIJADOR ENGANCHE PUERTA	DOOR FIXATION
ELT.41	PASADOR ESCUADRA PUERTA	DOOR BOLT
ELT.42	ESCUADRA PUERTA	DOOR SQUARE
ELT155	SONDA TEMPERATURA RIVER 80	RIVER 80 TEMPERATURE PROBE
FA1031	ABRAZADERA INOX 8-16	8-16 INOX CLAMP
LAV425	RESISTENCIA 2250W-230V	2250W-230V RESISTANCE
LAV498	RACOR T	T FITTING
LAV625	PRESOSTATO SAL.HOR.55/35	55/35 HOR.PRESSURE SWITCH
LAV785	PIVOTE CIERRE PUERTA	CLOSING DOOR PIVOT
LAV786	SOPORTE CIERRE PUERTA 22R	22R CLOSING DOOR SUPPORT
M..175	TORICA GOMA EPDM	RUBBER RING
V...30	RACOR ENTRADA JABON	INLET SOAP FITTING
V..448	TUBO PRESOSTATO-METRO 4X6	4X6 PRE.SWITCH INLET PIPE
V..611	TUBO INTERIOR DOS.PER. JABON	INLET PIPE
V..613	TUBO INTERIOR DOS.PER.ABRILLAN	RINS.AID INSIDE PIPE
V..973	DOSIFICADOR PERISTALTICO INTER	INTERNAL PERISTALTIC DOS.
V..978	FILTRO DOSIFICADOR	DOSIMETER FILTER
V..980	RACOR ENTRADA JABON LARGO	LONG INLET FITTING
V.1741	DOSIF.ABRILL.INTERNO 230V AC	230Vac INTERNAL RINSE DOSIMET
V.1880	SILUETA ESTRELLAS	STAR FIGURE

Motor / Calderín / Depurador SILVER 45 ■ SILVER 45 Purifier / Boiler / Motor



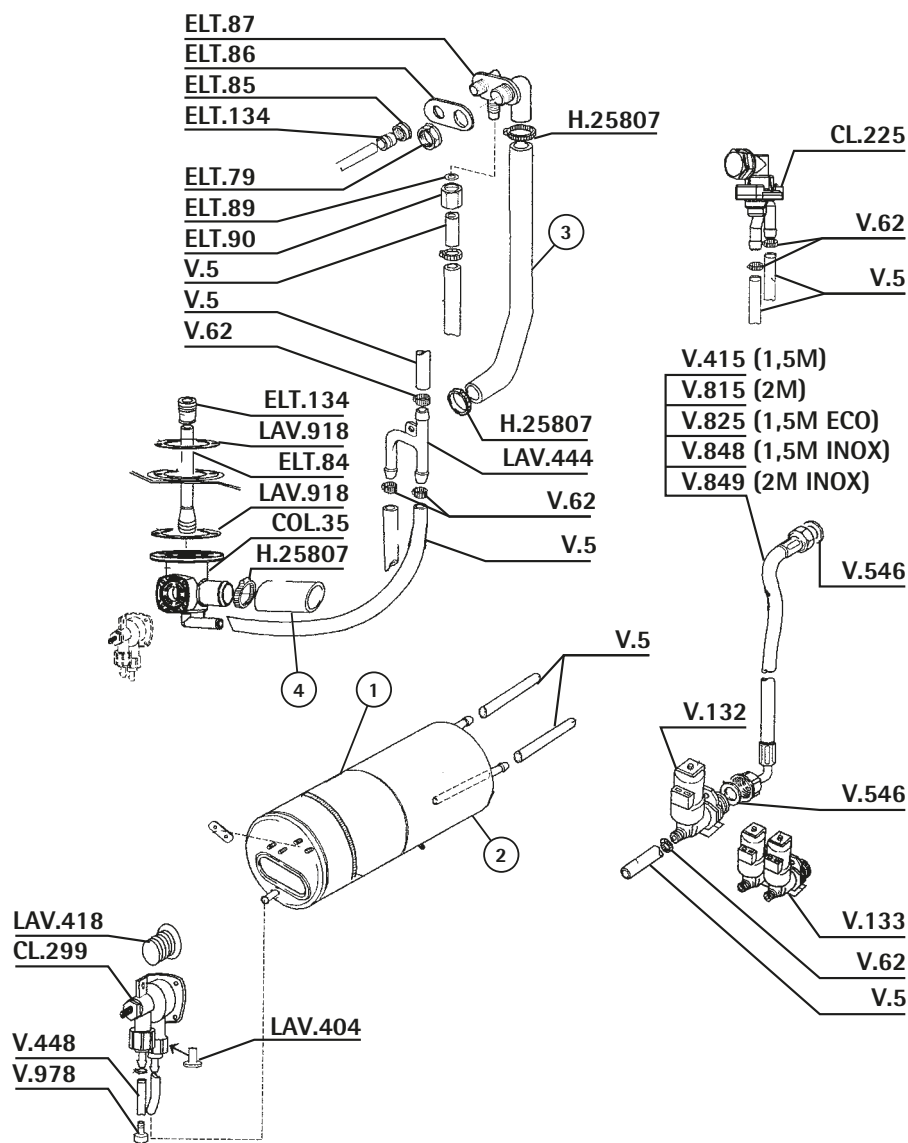
REF.	DESCRIPCIÓN	DESCRIPTION
AZ..36	TORICA GOMA EPDM	RING
CL.297	BASE FILTRO	FILTER BASE
COL.38	CODO	ELBOW
ELT.45	CAMARA PRESOSTATICA	PRESSURE SWITCH CHAMBER
ELT.72	RACOR DEPOSITO SAL	FITTING SALT CONTAINER
ELT.91	RACOR RECTO	STRAIGHT FITTING
ELT.92	RACOR CODO	ELBOW FITTING
ELT.93	TUERCA 3/4	3/4 FITTING
ELT.94	BOMBA AUMENTO PRESION	PRESSURE PUMP
ELT.95	FILTRO	FILTER
ELT.96	ARO FILTRO	FILTER GASKET
LAV403	SOBRENIVEL	OVERFLOW
LAV407	TAPON DEPOSITO SAL	SALT TANK CAP
LAV467	JUNTA GOMA	RUBBER GASKET
LAV468	TUERCA	NUT
LAV477	MANGUITO	SLEEVE
LAV512	TAPON DESAGÜE 50R-F	50R-F INLET CAP
LAV513	CURVA DESCARGA	OUTLET ELBOW
LAV657	RACOR CAMPANA	PRESSURE SWITCH FITTING
LAV659	JUNTA GOMA	RUBBER GASKET
LAV726	JUNTA GOMA BOTELLA SAL	BOTTLE SALT RUBBER GASKET
LAV891	JUNTA FILTRO BOMBA GOMA	FILTER PUMP RUBBER GASKET
LAV900	DEPURADOR LAVATAZAS	WASHING CUP PURIFIER
LAV901	DEPOSITO SAL COMPLETO	SALT CONTAINER
LAV915	JUNTA CALDERIN ALIMENTAR.	BOILER ALIMENTARY GASKET
LAV921	FILTRO BOMBA	PUMP FILTER
LAV944	CAMARA PRESOSTATICA	PRES.SWITCH CHAMBER
P..130	TORICA EPDM	RING
V...5	TUBO GOMA 10X16 20 ATM	20ATM 10X17 RUBBER PIPE
V..62	ABRAZADERA 12-20	12-20 CLAMP
V.201	TUBO DESAGÜE 28mm. 1,5mt.	28mm. 1.5mt OUTLET PIPE

Los artículos con círculo son bajo pedido. CONSÚLTENOS.

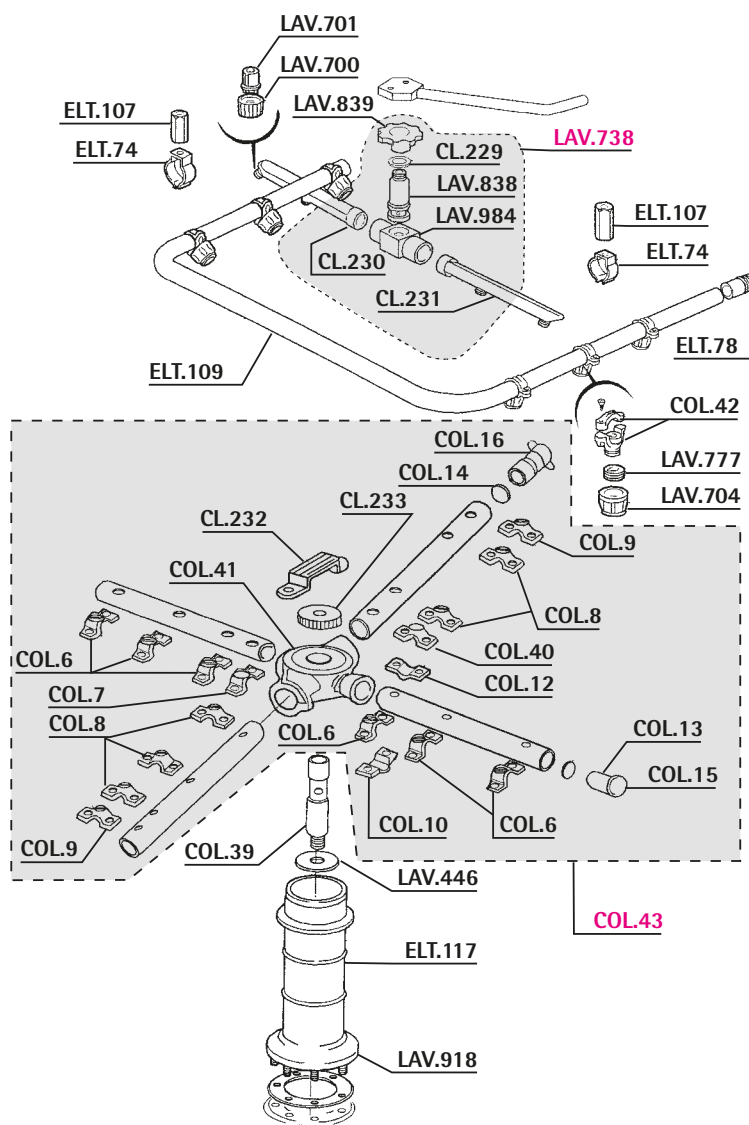
① ② ③ ...

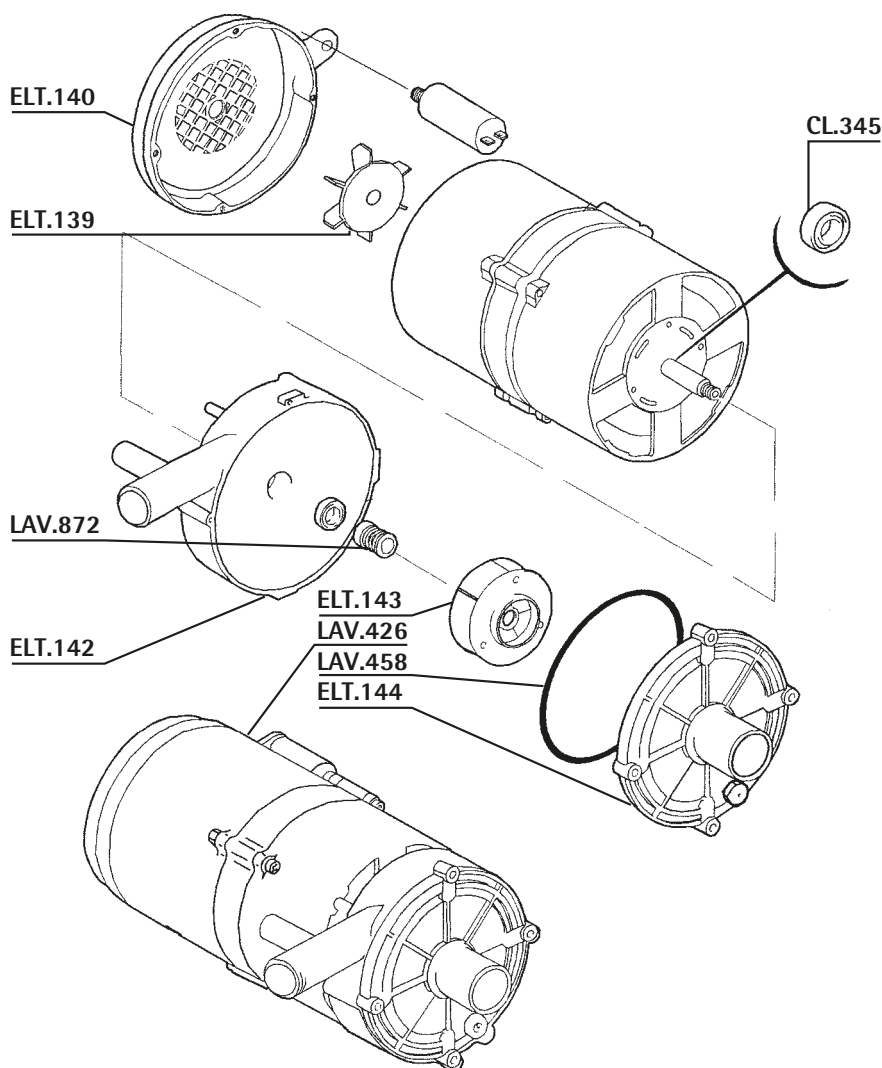


REF.	DESCRIPCIÓN	DESCRIPTION
CL.225	RACOR	FITTING
CL.299	DOSIFICADOR HIDRAULICO	HIDRAULIC DOSIMETER
COL.35	COLECTOR	COLECTOR
ELT.79	TUERCA PLASTICO	NUT
ELT.84	TUBO ALARADO	RINSE ARM
ELT.85	TUERCA	NUT
ELT.86	JUNTA COLECTOR	COLECTOR GASKET
ELT.87	RACOR EMPALME	UNION FITTING
ELT.89	JUNTA	GASKET
ELT.90	RACOR	FITTING
ELT.134	INSERTO CONDUCTO	CONDUIT INSERT
H25807	ABRAZADERA 25-40	25-40 CLAMP
LAV404	VALVULA ASPIRACION	SUCTION VALVE
LAV418	MEMBRANA DOSIFICADOR	DOSIMETER MEMBRANE
LAV444	RACOR 3 VIAS	3 WAYS FITTING
LAV918	JUNTA COLECTOR INFERIOR GOMA	RUBBER GASKET
V....5	TUBO GOMA 10X16 20 ATM	20ATM 10X17 RUBBER PIPE
V...62	ABRAZADERA 12-20	12-20 CLAMP
V..132	ELECTROVAL.1 VIA LAV.220V	WASH 1 WAY 220V SOLENOID
V..133	ELECTROVAL.2 VIA LAV.220V	WASH 2 WAYS 220V SOLENOID
V..415	TOMA LAVADORA 1,5M	QUALITY 1.5M.INLET W.FLEX
V..448	TUBO PRESOSTATO-METRO 4X6	4X6 PRE.SWITCH INLET PIPE
V..546	JUNTA GOMA 3/4	WATER INLET RUBBER GASKET
V..815	TOMA LAVADORA 2 METROS	2 MT.INLET WATER FLEXIBLE
V..825	TOMA LAVADORA 1.5 "ECO"	"ECO"1.5M INLET WA.FLEXIB
V..848	TOMA LAVADORA 1.5M INOX	INOX 1.5M INLET WATER FL.
V..849	TOMA LAV.INOX 2MT.3/4X3/4	INOX 2MT.INLET WATER FLE.
V..978	FILTRO DOSIFICADOR	DOSIMETER FILTER



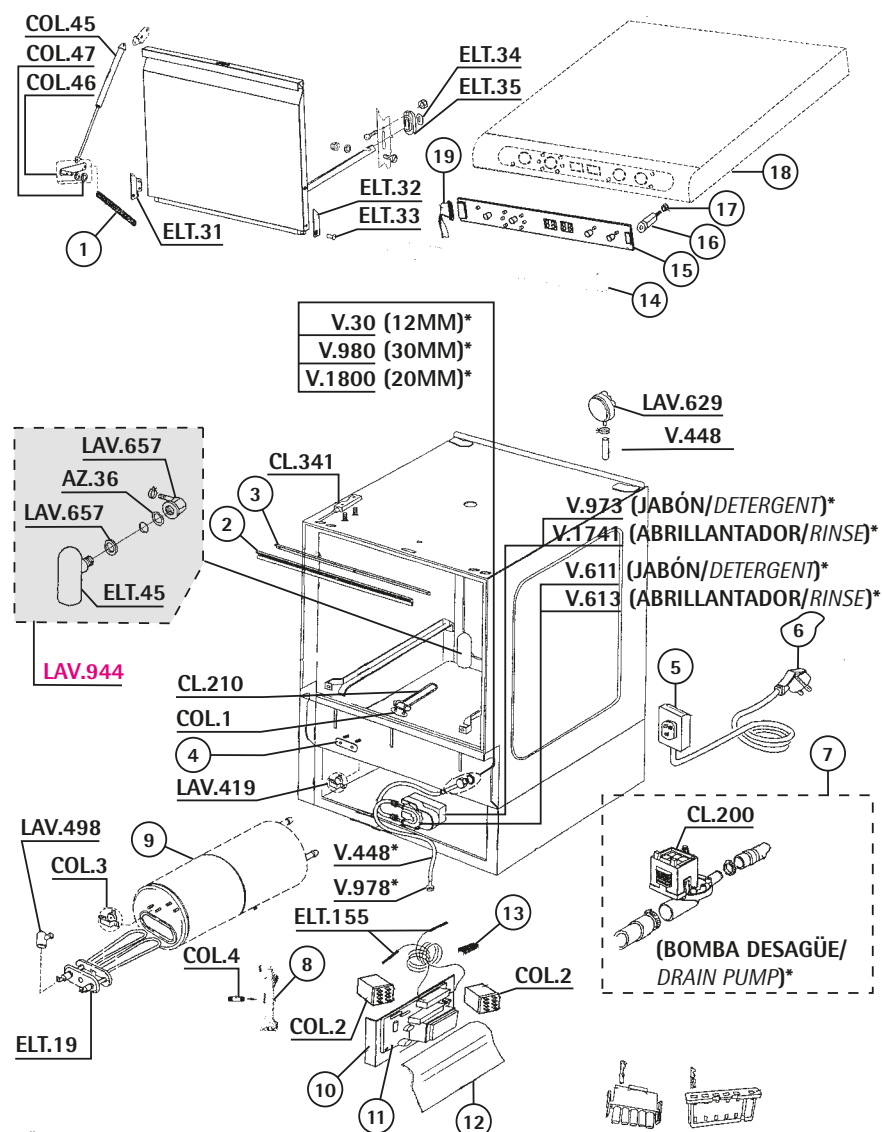
REF.	DESCRIPCIÓN	DESCRIPTION
CL.229	JUNTA TEFLON	TEFLON GASKET
CL.230	BRAZO ACLARADO IZQUIERDO	LEFT RINSE ARM
CL.231	BRAZO ACLARADO DERECHO	RIGHT RINSE ARM
CL.232	ABRAZADERA PLASTICO	PLASTIC CLAMP
CL.233	TUERCA INOX	INOX NUT
COL..6	ROCIADOR	SPRAY
COL..7	ROCIADOR	SPRAY
COL..8	ROCIADOR	SPRAY
COL..9	ROCIADOR	SPRAY
COL.10	BRIDA ROCIADOR	SPRAY CLASP
COL.12	BRIDA ROCIADOR	SPRAY CLASP
COL.13	JUNTA ROCIADOR	SPRAY GASKET
COL.14	JUNTA ROCIADOR	SPRAY GASKET
COL.15	TAPON GIRATORIO	GIRATORY COVER
COL.16	TAPON GIRATORIO	GIRATORY COVER
COL.39	EJE GIRATORIO	GIRATORY ROD
COL.40	ROCIADOR	SPRAY
COL.41	CRUZ GIRATORIO	CROSSHEAD
COL.42	SOPORTE ROCIADOR	SPRAY SUPPORT
COL.43	GIRATORIO LAVADO COMPLETO	COMPLET WASHING GIRATORY
ELT.74	BRIDA	CLASP
ELT.78	INSERTO	INSERT
ELT.107	DISTANCIAL	DISTANCER
ELT.109	ARBOL LAVADO	WASH TREE
ELT.117	CONDUCTO INFERIOR	LOWER CONDUIT
LAV446	ARANDELA EJE 40-400F	40-400F WASHER ROD
LAV700	TUERCA ACLARADO	RINSE NUT
LAV701	TAPON ACLARADO	RINSING CAP
LAV704	RACOR LAVADO	WASHING FITTING
LAV738	ASTA ACLARADO SUPERIOR	UPPER RINSE ARM
LAV777	HELICE LAVADO	WASHING PROPELLER
LAV838	EJE COLECTOR ACLARADO	COLLECTOR ROD
LAV839	TUERCA FIJACION PLASTICO	PLASTIC FIXING NUT
LAV918	JUNTA COLECTOR INFERIOR GOMA	RUBBER GASKET
LAV984	COLECTOR SUP. ACLARADO	RINSING UPPER COLLECTOR





REF.	DESCRIPCIÓN	DESCRIPTION
CL.345	COJINETE	BALL BEARING
ELT139	ASPA VENTILACION	VENTILATION REEL
ELT140	TAPA ASPA BOMBA	PUMP REEL LID
ELT142	BASE CABEZAL E-45 T.90	E-45 T.90 HEAD BASE
ELT143	GIRANTE BOMBA E-45 T.90	E-45 T.90 PUMP GIRATORY
ELT144	CUERPO BOMBA E-45 T.90	E-45 T.90 POMPE BODY
LAV426	MOTOR E-45 0.45HP	0.45HP E-45 MOTOR
LAV458	TORICA BOMBA	PUMP RING
LAV872	RETEN EJE MOTOR	MECHANICAL SEAL

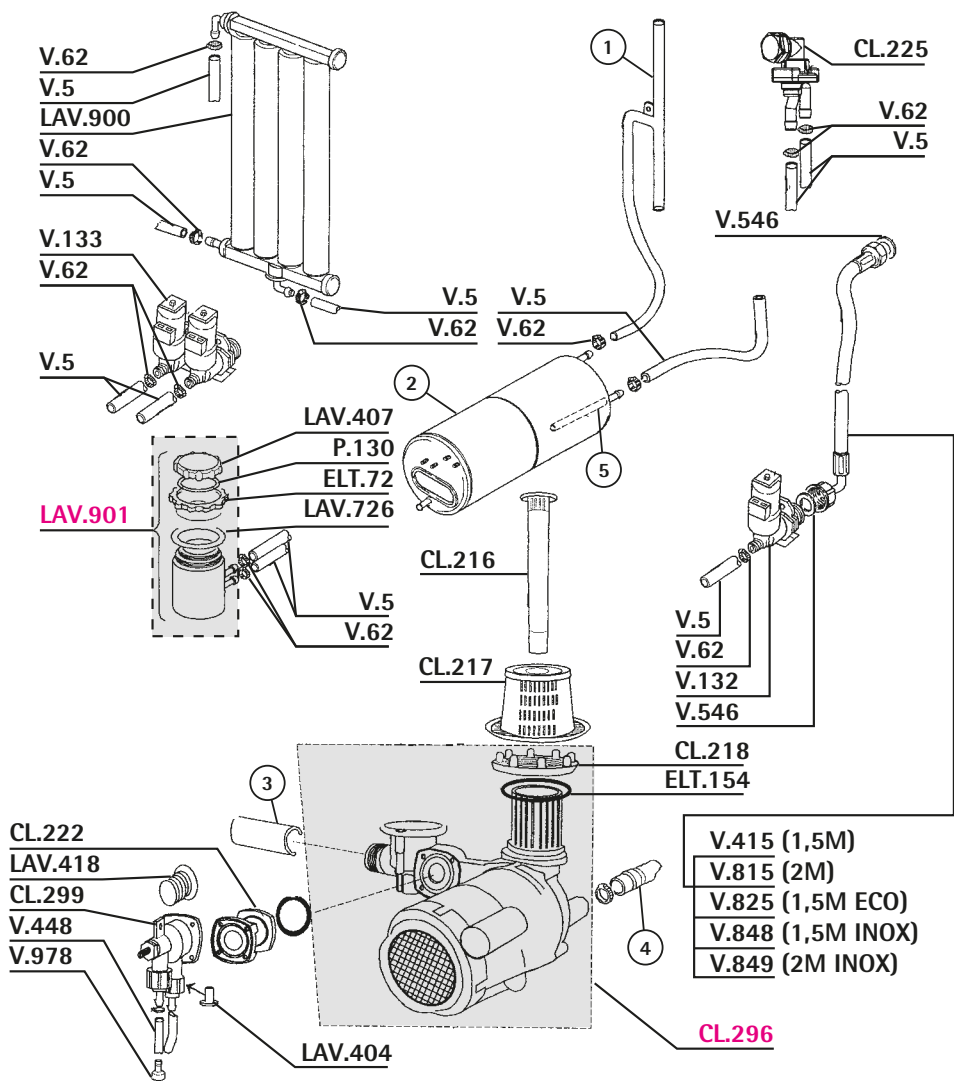
Puerta / Frontal mandos / Bomba desagüe ONYX 40 ■ ONYX 40 Drain pipe / Control panel / Door



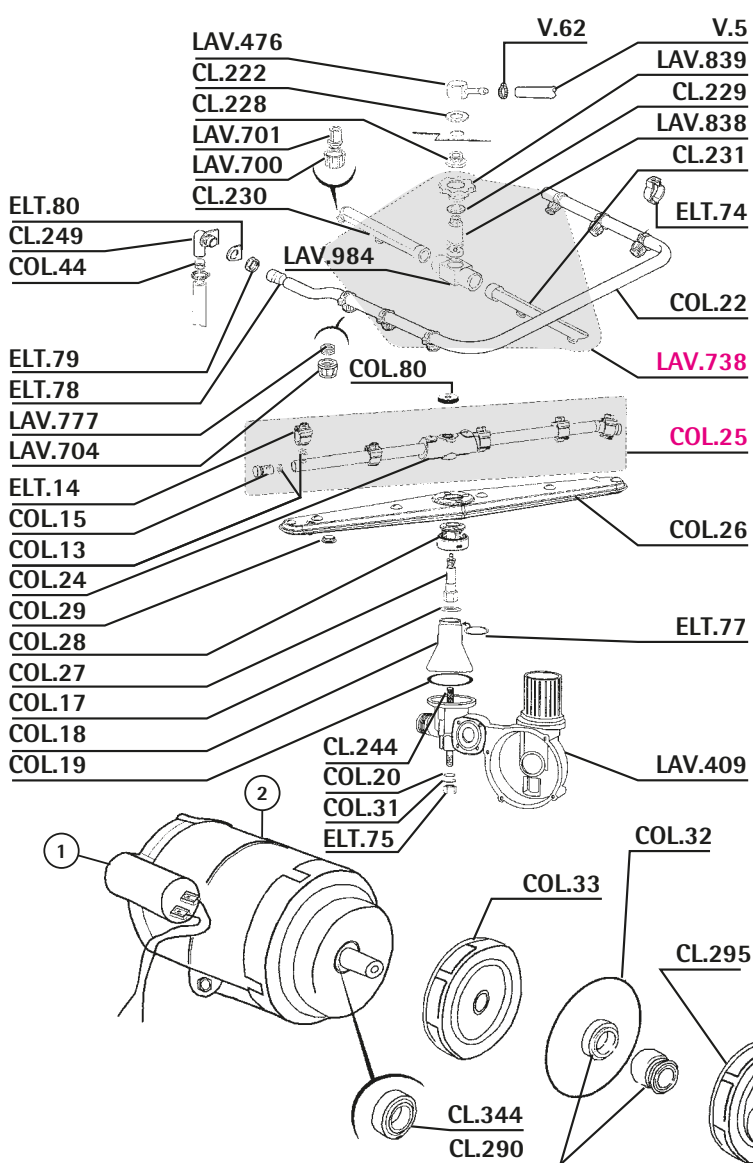
REF.	DESCRIPCIÓN	DESCRIPTION
AZ..36	TORICA GOMA EPDM	RING
CL.200	BOMBA CENTRIFUGA	PUMP
CL.210	RESIST.CUBA 600W 230V	RESISTANCE TANK 600W/230V
CL.341	IMAN	MAGNET
COL..1	PLETINA RESISTENCIA	RESISTANCE PLATE
COL..2	RELE	RELAY
COL..3	TERMOSTATO CALDERIN	BOILER THERMOSTATE
COL..4	FUSIBLE 5x20 4A	FUSE 5x20 4A
COL.45	MUELLE PUERTA	DOOR SPRING
COL.46	CONJUNTO BISAGRA	HINGE KIT
COL.47	JUNTA	GASKET
ELT.19	RESIST.CALDERIN 2600W 230V	230V/2600W BOILER RESISTANCE
ELT.31	ESCUADRA PUERTA IZQUIERDA	LEFT DOOR SQUARE
ELT.32	ESCUADRA PUERTA DERECHA	RIGHT DOOR SQUARE
ELT.33	PERNO BISAGRA	HINGE BOLT
ELT.34	PLANCHA ENGANCHE PUERTA	DOOR PLATE
ELT.35	GUIA ENGANCHE PUERTA	DOOR GUIDE
ELT.45	CAMARA PRESOSTATICA	PRESSURE SWITCH CHAMBER
ELT155	SONDA TEMPERATURA RIVER 80	RIVER 80 TEMPERATURE PROBE
LAV419	TERMOSTATO CUBA 95°	95° TANK THERMOSTAT
LAV498	RACOR T	T FITTING
LAV629	PRESOSTATO SAL.HOR.35/17	35/17 HORIZ.PRESS.SWITCH
LAV657	RACOR CAMPANA	PRESSURE SWITCH FITTING
LAV944	CAMARA PRESOSTATICA	PRES.SWITCH CHAMBER
V..30	RACOR ENTRADA JABON	INLET SOAP FITTING
V..448	TUBO PRESOSTATO-METRO 4X6	4X6 PRE.SWITCH INLET PIPE
V..611	TUBO INTERIOR DOS.PER. JABON	INLET PIPE
V..613	TUBO INTERIOR DOS.PER.ABRILLAN	RINS.AID INSIDE PIPE
V..973	DOSIFICADOR PERISTALTICO INTER	INTERNAL PERISTALTIC DOS.
V..978	FILTRO DOSIFICADOR	DOSIMETER FILTER
V..980	RACOR ENTRADA JABON LARGO	LONG INLET FITTING
V.1741	DOSIFABRILL.INTERNO 230V AC	230Vac INTERNAL RINSE DOSIMET
V.1800	RACOR ENTRADA JABON METALICO	METALIC DETER.INLET FITTING

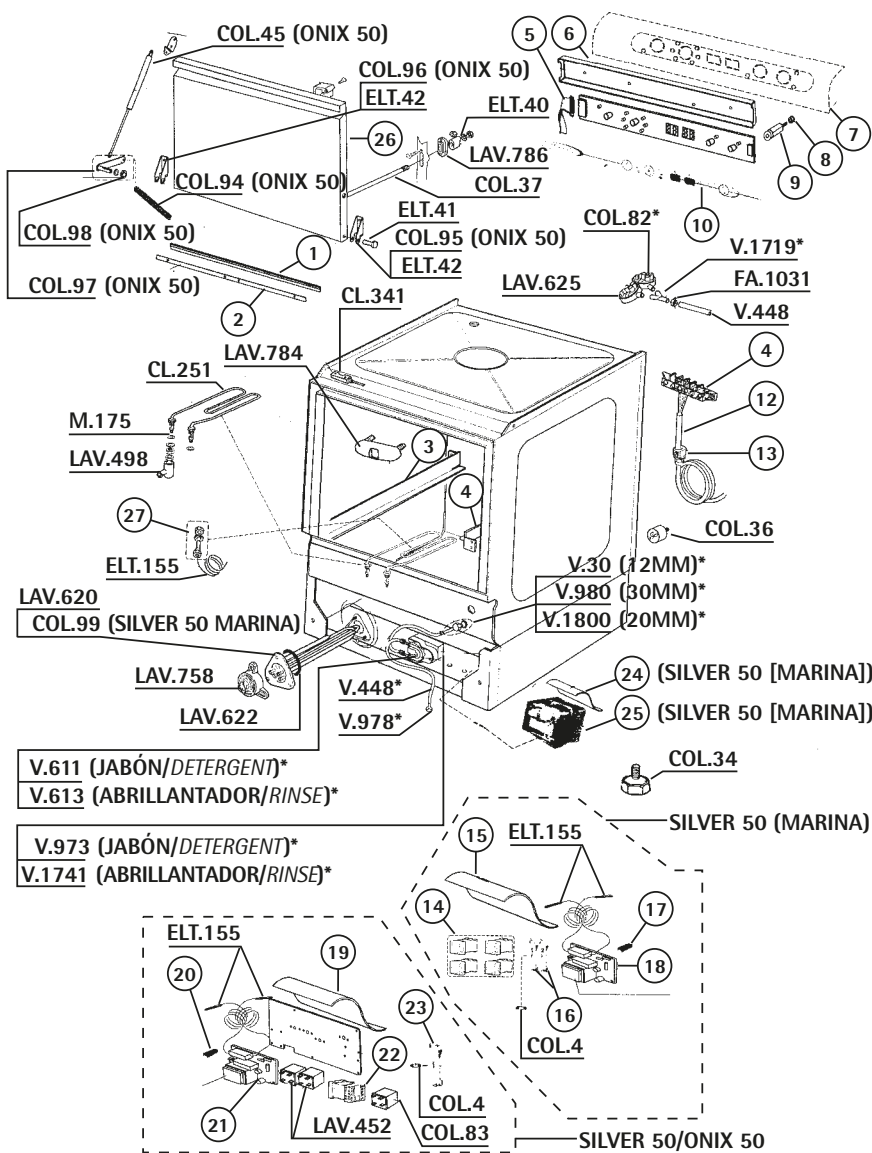
* (OPCIONAL/OPTIONAL)

REF.	DESCRIPCIÓN	DESCRIPTION
CL.216	SOBRENIVEL	OVERFLOW
CL.217	FILTRO	FILTER
CL.218	BASE FILTRO	FILTER BASE
CL.222	TORICA	RING
CL.225	RACOR	FITTING
CL.296	MOTOR C400 0.33HP	C400 0.33HP MOTOR
CL.299	DOSIFICADOR HIDRAULICO	HIDRAULIC DOSIMETER
ELT.72	RACOR DEPOSITO SAL	FITTING SALT CONTAINER
ELT.154	JUNTA GOMA	RUBER GASKET
LAV.404	VALVULA ASPIRACION	SUCTION VALVE
LAV.407	TAPON DEPOSITO SAL	SALT TANK CAP
LAV.418	MEMBRANA DOSIFICADOR	DOSIMETER MEMBRANE
LAV.726	JUNTA GOMA BOTELLA SAL	BOTTLE SALT RUBBER GASKET
LAV.900	DEPURADOR LAVATAZAS	WASHING CUP PURIFIER
LAV.901	DEPOSITO SAL COMPLETO	SALT CONTAINER
P.130	TORICA EPDM	RING
V....5	TUBO GOMA 10X16 20 ATM	20ATM 10X17 RUBBER PIPE
V...62	ABRAZADERA 12-20	12-20 CLAMP
V..132	ELECTROVAL.1 VIA LAV.220V	WASH 1 WAY 220V SOLENOID
V..133	ELECTROVAL.2 VIA LAV.220V	WASH 2 WAYS 220V SOLENOID
V..415	TOMA LAVADORA 1,5M	QUALITY 1.5M.INLET W.FLEX
V..448	TUBO PRESOSTATO-METRO 4X6	4X6 PRE.SWITCH INLET PIPE
V..546	JUNTA GOMA 3/4	WATER INLET RUBBER GASKET
V..815	TOMA LAVADORA 2 METROS	2 MT.INLET WATER FLEXIBLE
V..825	TOMA LAVADORA 1.5 "ECO"	"ECO"1.5M INLET WA.FLEXIB
V..848	TOMA LAVADORA 1.5M INOX	INOX 1.5M INLET WATER FL.
V..849	TOMA LAV.INOX 2MT.3/4X3/4	INOX 2MT.INLET WATER FLE.
V..978	FILTRO DOSIFICADOR	DOSIMETER FILTER



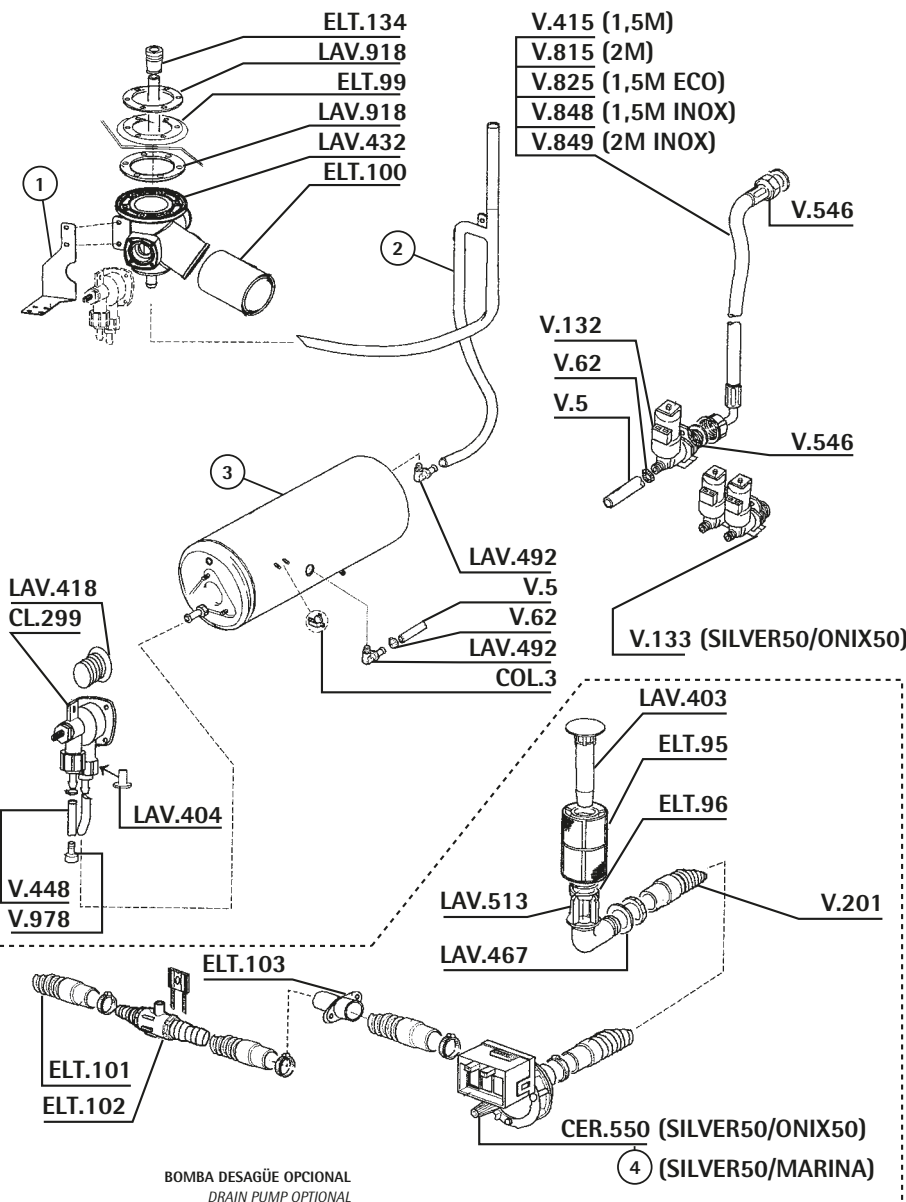
REF.	DESCRIPCIÓN	DESCRIPTION
CL.222	TORICA	RING
CL.228	TAPON	CAP
CL.229	JUNTA TEFLON	TEFLON GASKET
CL.230	BRAZO ACLARADO IZQUIERDO	LEFT RINSE ARM
CL.231	BRAZO ACLARADO DERECHO	RIGHT RINSE ARM
CL.244	EJE	ROD
CL.249	CODO	ELBOW
CL.290	RETEN	MECHANICAL SEAL
CL.295	GIRANTE C400	C400 GYRATORY
CL.344	COJINETE C350/400	C350/400 BALL BEARING
COL.13	JUNTA ROCIADOR	SPRAY GASKET
COL.15	TAPON GIRATORIO	GIRATORY COVER
COL.17	JUNTA COLECTOR INFERIOR	LOWER COLLECTOR GASKET
COL.18	COLECTOR INFERIOR	LOWER COLECTOR
COL.19	JUNTA	GASKET
COL.20	JUNTA	GASKET
COL.22	ASTA ACLARADO	RINSE ARM
COL.24	UNION GIRATORIO	JUNCTION GIRATORY
COL.25	GIRATORIO LAVADO	WASHING GIRATORY
COL.26	GIRATORIO LAVADO	WASHING GIRATORY
COL.27	EJE GIRATORIO	GIRATORY ROD
COL.28	ADAPTADOR GIRATORIO	GIRATORY ADAPTOR
COL.29	ROCIADOR	SPRAY
COL.31	JUNTA	GASKET
COL.32	JUNTA TAPA MOTOR	MOTOR LID GASKET
COL.33	TURBINA	TURBINE
COL.44	CASQUILLO	CAP
COL.80	TORNILLO GIRATORIO	GIRATORY SCREW
ELT.14	ROCIADOR ACLARADO	RINSE SPRAY
ELT.74	BRIDA	CLASP
ELT.75	TUERCA	NUT
ELT.77	JUNTA TEFLON	GASKET
ELT.78	INSERTO	INSERT
ELT.79	TUERCA PLASTICO	NUT
ELT.80	JUNTA	GASKET
LAV.409	CUERPO INFERIOR E35/40	E35/40 LOWER BODY
LAV.476	RACOR	FITTING
LAV.700	TUERCA ACLARADO	RINSE NUT
LAV.701	TAPON ACLARADO	RINSING CAP
LAV.704	RACOR LAVADO	WASHING FITTING
LAV.738	ASTA ACLARADO SUPERIOR	UPPER RINSE ARM
LAV.777	HELICE LAVADO	WASHING PROPELLER
LAV.838	EJE COLECTOR ACLARADO	COLLECTOR ROD
LAV.839	TUERCA FIJACION PLASTICO	PLASTIC FIXING NUT
LAV.984	COLECTOR SUP. ACLARADO	RINSING UPPER COLLECTOR
V....5	TUBO GOMA 10X16 20 ATM	20ATM 10X17 RUBBER PIPE
V...62	ABRAZADERA 12-20	12-20 CLAMP





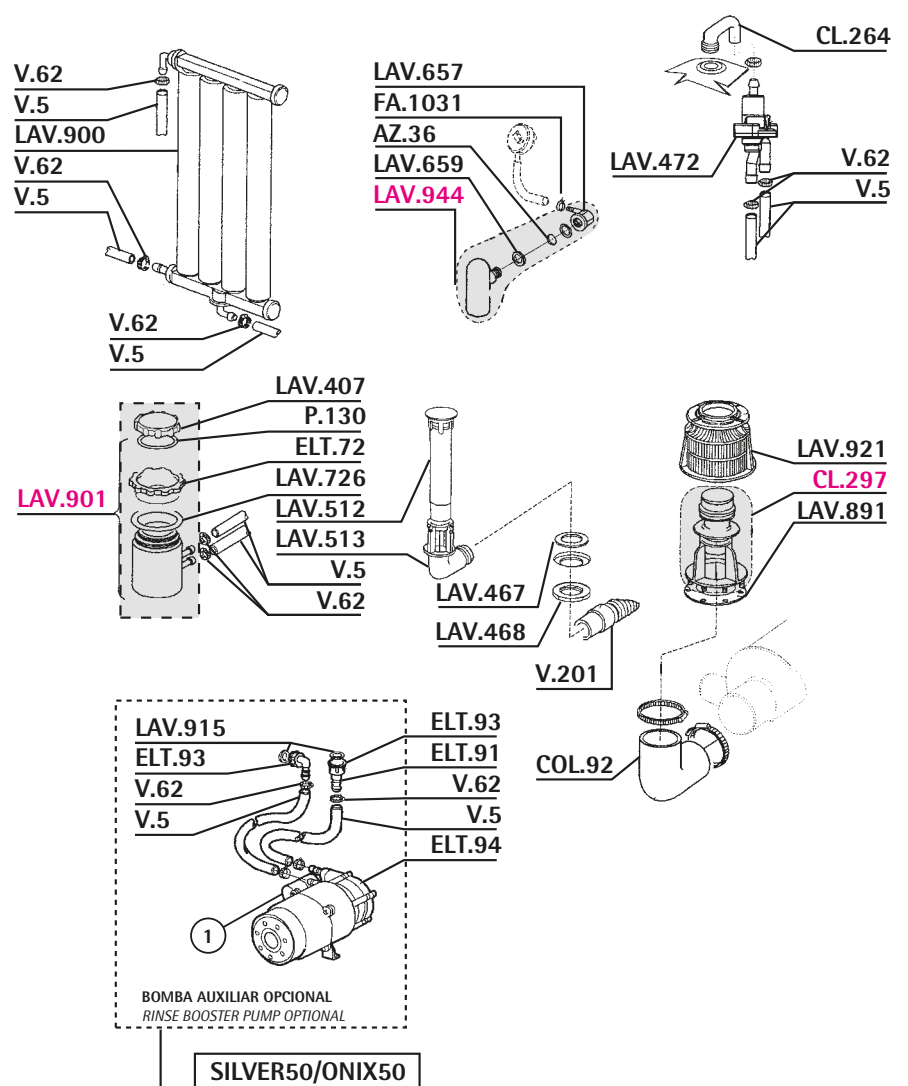
REF.	DESCRIPCIÓN	DESCRIPTION
CL.251	RESISTENCIA 3000W 230V	RESISTANCE 3000W 230V
CL.341	IMAN	MAGNET
COL..4	FUSIBLE 5x20 4A	FUSE 5x20 4A
COL.34	PATA	FOOT
COL.36	FILTRO	FILTER
COL.37	VARILLA PUERTA	DOOR ROD
COL.45	MUELLE PUERTA	DOOR SPRING
COL.82	PRESOSTATO (95-70)	PRESSURE SWITCH (95-70)
COL.83	RELE	RELAY
COL.94	MUELLE	SPRING
COL.95	BISAGRA DERECHA	RIGHT HINGE
COL.96	BISAGRA DERECHA	LEFT HINGE
COL.97	KIT SOPORTE MUELLE PUERTA	KIR DOOR SPRING SUPPORT
COL.98	CASQUILLO	CAP
COL.99	RESISTENCIA 4500W 230-380V	RESIS 4500W 230-380V
ELT.40	FIJADOR ENGANCHE PUERTA	DOOR FIXATION
ELT.41	PASADOR ESCUADRA PUERTA	DOOR BOLT
ELT.42	ESCUADRA PUERTA	DOOR SQUARE
ELT.155	SONDA TEMPERATURA RIVER 80	RIVER 80 TEMPERATURE PROBE
FA.1031	ABRAZADERA INOX 8-16	8-16 INOX CLAMP
LAV.452	RELE 65.31 230/50HZ	65.31 230/50HZ RELAY
LAV.498	RACOR T	T FITTING
LAV.620	RESISTENCIA CALDER. 4500W 230V	BOILER RESISTANCE 4500W 230V
LAV.622	TORICA RESISTENCIA GOMA	RESISTANCE RUBBER RING
LAV.625	PRESOSTATO SAL.HOR.55/35	55/35 HOR.PRESSURE SWITCH
LAV.758	PROTECTOR RESISTENCIA	RESISTANCE PROTECTOR
LAV.784	CIERRE PUERTA	CLOSING DOOR
LAV.786	SOPORTE CIERRE PUERTA 22R	22R CLOSING DOOR SUPPORT
M..175	TORICA GOMA EPDM	RUBBER RING
V..30	RACOR ENTRADA JABON	INLET SOAP FITTING
V.448	TUBO PRESOSTATO-METRO 4X6	4X6 PRE.SWITCH INLET PIPE
V.611	TUBO INTERIOR DOS.PER. JABON	INLET PIPE
V.613	TUBO INTERIOR DOS.PER.ABRILLAN	RINS.AID INSIDE PIPE
V.973	DOSIFICADOR PERISTALTICO INTER	INTERNAL PERISTALTIC DOS.
V.978	FILTRO DOSIFICADOR	DOSIMETER FILTER
V.980	RACOR ENTRADA JABON LARGO	LONG INLET FITTING
V.1719	RACOR PRESOSTATO Y	Y PRESSURE SWITCH FITTING
V.1741	DOSIF.ABRILL.INTERNO 230V AC	230Vac INTERNAL RINSE DOSIMET
V.1800	RACOR ENTRADA JABON METALICO	METALIC DETER.INLET FITTING

Calderín / Dosificador abrillantador SILVER 50 / SILVER 50 (MARINA) / ONIX 50 ■ SILVER 50 / SILVER 50 (MARINA) / ONIX 50 Rinse aid / Boiler

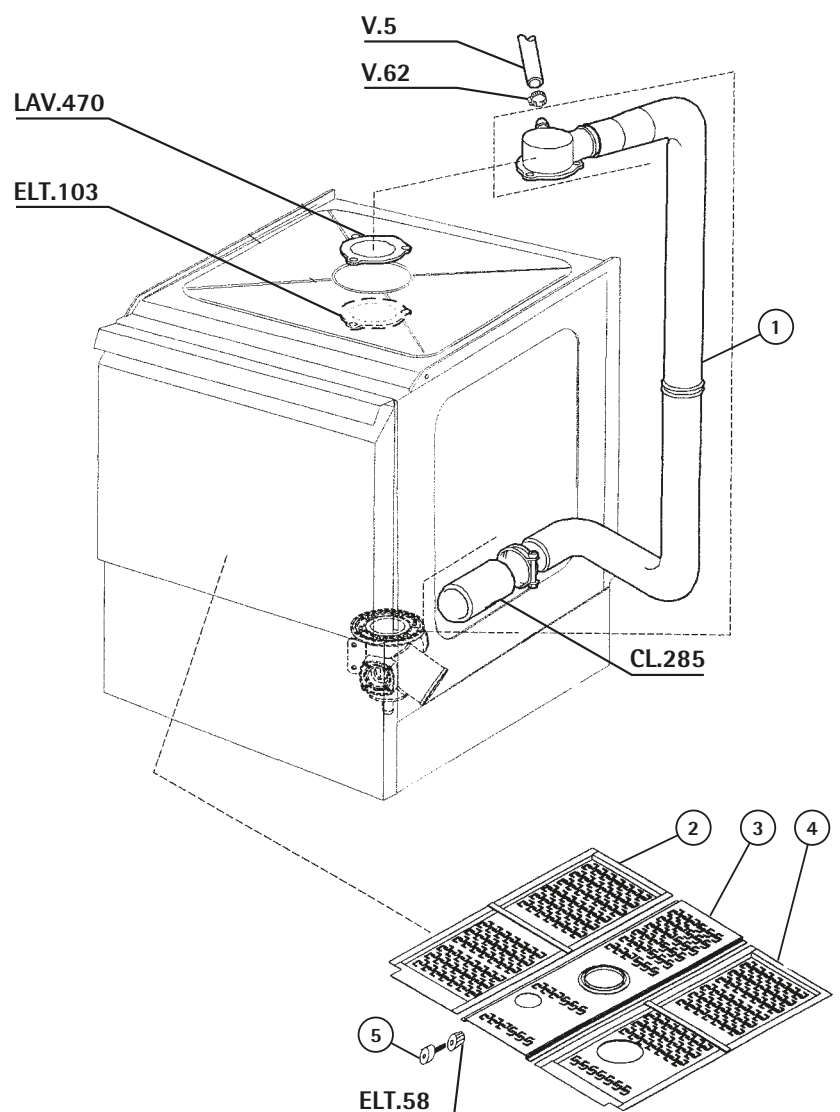


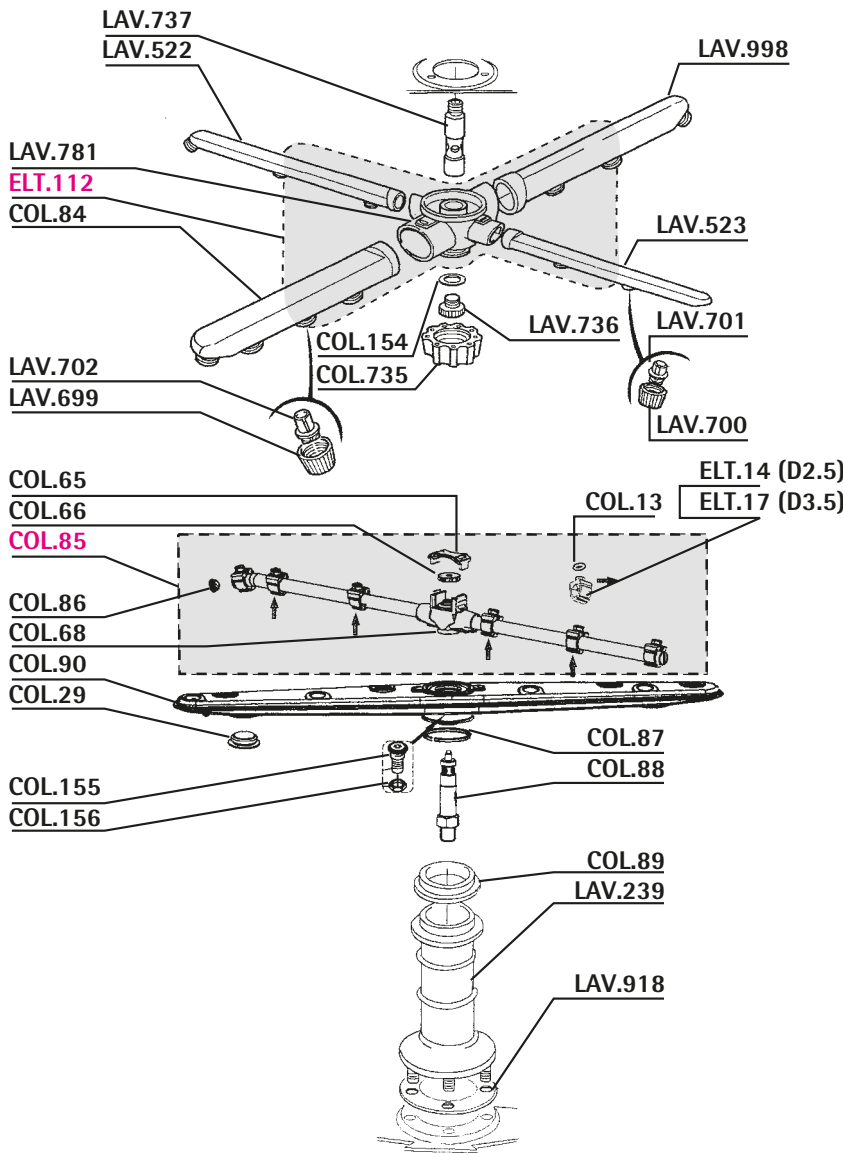
REF.	DESCRIPCIÓN	DESCRIPTION
CER550	BOMBA DESAGÜE 40W	40W OUTLET PUMP
CL.299	DOSIFICADOR HIDRAULICO	HIDRAULIC DOSIMETER
COL..3	TERMOSTATO CALDERIN	BOILER THERMOSTATE
ELT.95	FILTRO	FILTER
ELT.96	ARO FILTRO	FILTER GASKET
ELT.99	TUBO ACLARADO	RINSE PIPE
ELT.100	MANGUITO	SLEEVE
ELT.101	TUBO DESAGÜE	OUTLET PIPE
ELT.102	VALVULA DESAGÜE	OUTLET VALVE
ELT.103	RACOR DESAGÜE	OUTLET FITTING
ELT.134	INSERTO CONDUCTO	CONDUIT INSERT
LAV.403	SOBRENIVEL	OVERFLOW
LAV.404	VALVULA ASPIRACION	SUCTION VALVE
LAV.418	MEMBRANA DOSIFICADOR	DOSIMETER MEMBRANE
LAV.432	COLECTOR MOD.ABRIL 2001	APRIL 2001 MODERN COLECT.
LAV.467	JUNTA GOMA	RUBBER GASKET
LAV.492	CODO	ELBOW
LAV.513	CURVA DESCARGA	OUTLET ELBOW
LAV.918	JUNTA COLECTOR INFERIOR GOMA	RUBBER GASKET
V....5	TUBO GOMA 10X16 20 ATM	20ATM 10X17 RUBBER PIPE
V..62	ABRAZADERA 12-20	12-20 CLAMP
V.132	ELECTROVAL.1 VIA LAV.220V	WASH 1 WAY 220V SOLENOID
V.133	ELECTROVAL.2 VIA LAV.220V	WASH 2 WAYS 220V SOLENOID
V.201	TUBO DESAGÜE 28mm. 1,5mt.	28mm. 1.5mt OUTLET PIPE
V.415	TOMA LAVADORA 1,5M	QUALITY 1.5M.INLET W.FLEX
V.448	TUBO PRESOSTATO-METRO 4X6	4X6 PRE.SWITCH INLET PIPE
V.546	JUNTA GOMA 3/4	WATER INLET RUBBER GASKET
V.815	TOMA LAVADORA 2 METROS	2 MT.INLET WATER FLEXIBLE
V.825	TOMA LAVADORA 1.5 "ECO"	"ECO"1.5M INLET WA.FLEXIB
V.848	TOMA LAVADORA 1.5M INOX	INOX 1.5M INLET WATER FL.
V.849	TOMA LAV.INOX 2MT.3/4X3/4	INOX 2MT.INLET WATER FLE.
V.978	FILTRO DOSIFICADOR	DOSIMETER FILTER

REF.	DESCRIPCIÓN	DESCRIPTION
AZ...36	TORICA GOMA EPDM	RING
CL.264	CODO	ELBOW
CL.297	BASE FILTRO	FILTER BASE
COL.92	CODO	ELBOW
ELT.72	RACOR DEPOSITO SAL	FITTING SALT CONTAINER
ELT.91	RACOR RECTO	STRAIGHT FITTING
ELT.93	TUERCA 3/4	3/4 FITTING
ELT.94	BOMBA AUMENTO PRESION	PRESSURE PUMP
FA.1031	ABRAZADERA INOX 8-16	8-16 INOX CLAMP
LAV.407	TAPON DEPOSITO SAL	SALT TANK CAP
LAV.467	JUNTA GOMA	RUBBER GASKET
LAV.468	TUERCA	NUT
LAV.472	UNION TUBO	PIPE JUNCTION
LAV.512	TAPON DESAGÜE 50R-F	50R-F INLET CAP
LAV.513	CURVA DESCARGA	OUTLET ELBOW
LAV.657	RACOR CAMPANA	PRESSURE SWITCH FITTING
LAV.659	JUNTA GOMA	RUBBER GASKET
LAV.726	JUNTA GOMA BOTELLA SAL	BOTTLE SALT RUBBER GASKET
LAV.891	JUNTA FILTRO BOMBA GOMA	FILTER PUMP RUBBER GASKET
LAV.900	DEPURADOR LAVATAZAS	WASHING CUP PURIFIER
LAV.901	DEPOSITO SAL COMPLETO	SALT CONTAINER
LAV.915	JUNTA CALDERIN ALIMENTAR.	BOILER ALIMENTARY GASKET
LAV.921	FILTRO BOMBA	PUMP FILTER
LAV.944	CAMARA PRESOSTATICA	PRES.SWITCH CHAMBER
P..130	TORICA EPDM	RING
V...5	TUBO GOMA 10X16 20 ATM	20ATM 10X17 RUBBER PIPE
V...62	ABRAZADERA 12-20	12-20 CLAMP
V.201	TUBO DESAGÜE 28M	28M OUTLET PIPE



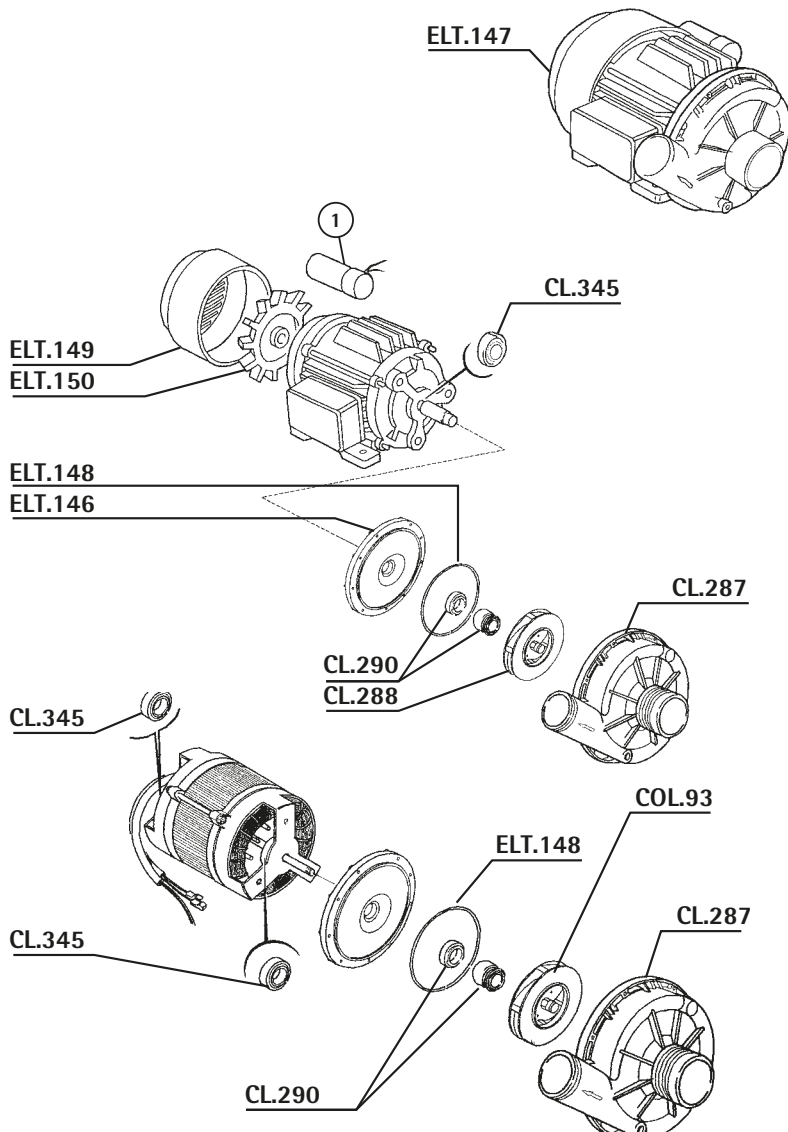
REF.	DESCRIPCIÓN	DESCRIPTION
CL.285	MANGUITO INFERIOR	LOWER SLEEVE
ELT.58	ENGANCHE FILTRO	FILTER FIXATION
ELT.103	RACOR DESAGÜE	OUTLET FITTING
LAV.470	JUNTA GOMA	RUBBER GASKET
V...5	TUBO GOMA 10X16 20 ATM	20ATM 10X17 RUBBER PIPE
V...62	ABRAZADERA 12-20	12-20 CLAMP





REF.	DESCRIPCIÓN	DESCRIPTION
COL.13	JUNTA ROCIADOR	SPRAY GASKET
COL.29	ROCIADOR	SPRAY
COL.65	SOPORTE	SUPPORT
COL.66	TORNILLO	SCREW
COL.68	UNION GIRATORIO	GIRATORY JUNCTION
COL.84	BRAZO GIRATORIO DERECHO	RIGHT GIRATORY ARM
COL.85	GIRATORIO ACLARADO	RINSE GIRATORY
COL.86	TAPON GIRATORIO	GIRATORY COVER
COL.87	JUNTA GIRATORIO	GIRATORY GASKET
COL.88	AXE	ROD
COL.89	ADAPTADOR	ADAPTOR
COL.90	GIRATORIO LAVADO	WASH GYRATORY
COL.154	JUNTA	GASKET
COL.155	TORNILLO GIRATORIO LAVADO	WASHING GIRATORY SCREW
COL.156	TUERCA GIRATORIO LAVADO	WASHING GIRATORY NUT
ELT.14	ROCIADOR ACLARADO	RINSE SPRAY
ELT.17	ROCIADOR ACLARADO D.3,5mm	D.3,5mm RINSE SPRAY
ELT.112	CRUZ LAVADO	WASH CROSSHEAD
LAV.239	RACOR CENTRAL INFERIOR	LOWER CENTRAL FITTING
LAV.522	BRAZO ACLARADO DCHA.	RIGHT RINSE ARM
LAV.523	BRAZO ACLARADO IZDA.	LEFT RINSE ARM
LAV.699	TUERCA PLASTICO DE LAVADO	WASHING NUT
LAV.700	TUERCA ACLARADO	RINSE NUT
LAV.701	TAPON ACLARADO	RINSING CAP
LAV.702	TAPON LAVADO GRANDE	GREAT WASHING CAP
LAV.735	MANDO FIJACION 40-400F	40-400F FIXATION HANDLE
LAV.736	TORNILLO	SCREW
LAV.737	EJE COLECTOR CENTRO	COLLECTOR ROD
LAV.781	RACOR CRUZ	FITTING
LAV.918	JUNTA COLECTOR INFERIOR GOMA	RUBBER GASKET
LAV.998	BRAZO LAVADO IZQUIERDA	LEFT WASHING ARM

Motor SILVER 50 / ONIX 50 ■ SILVER 50 / ONIX 50 Motor



REF.	DESCRIPCIÓN	DESCRIPTION
CL.287	TAPA MOTOR	MOTOR LID
CL.288	GIRANTE	GYRATORY
CL.290	RETEN	MECHANICAL SEAL
CL.345	COJINETE	BALL BEARING
COL.93	TURBINA	TURBINE
ELT.146	BASE MOTOR T.173/T.175	T.173/T.175 MOTOR BASE
ELT.147	BOMBA E-51 230V	230V E-51 PUMP
ELT.148	TORICA TAPA BOMBA	PUMP LID RING
ELT.149	TAPA ASPA BOMBA	PUMP REEL LID
ELT.150	ASPA BOMBA	PUMP REEL

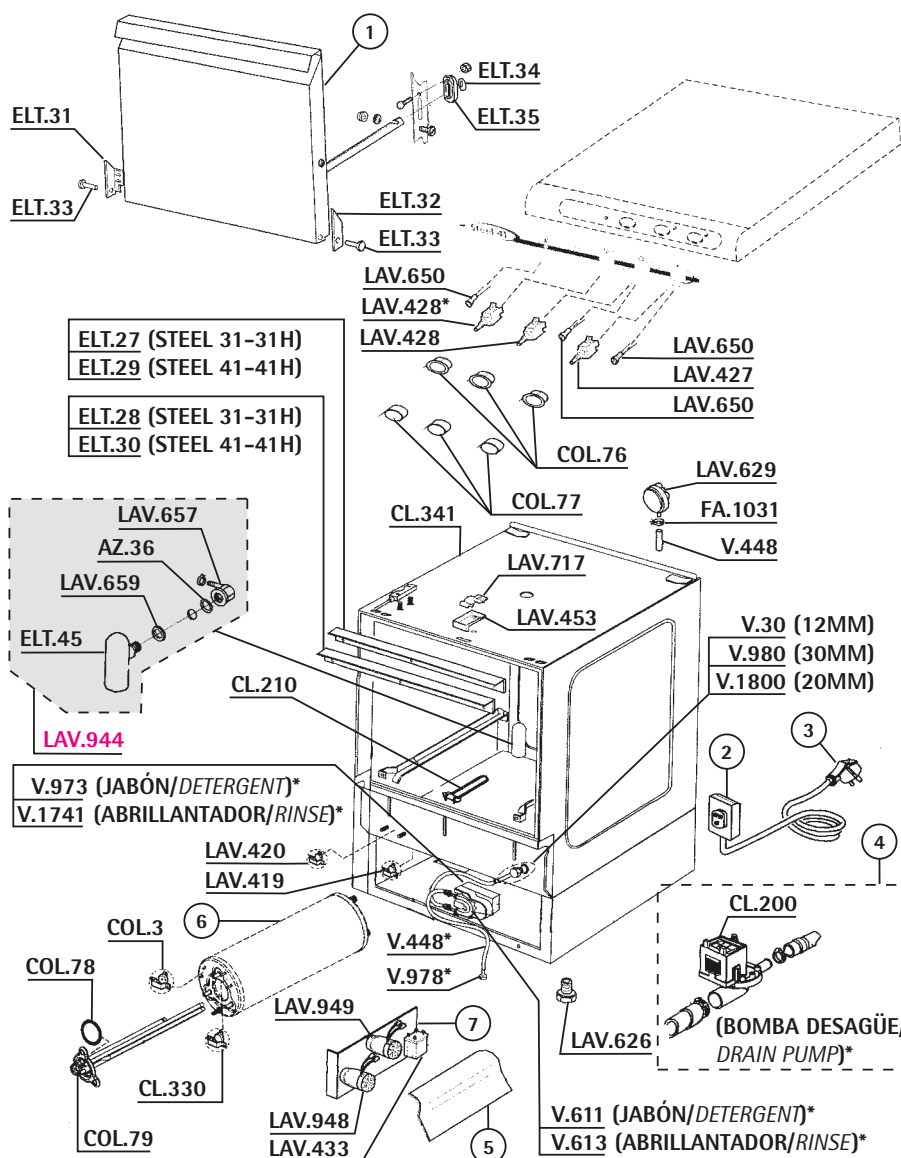
The components with circle are under request.

① ② ③ ...

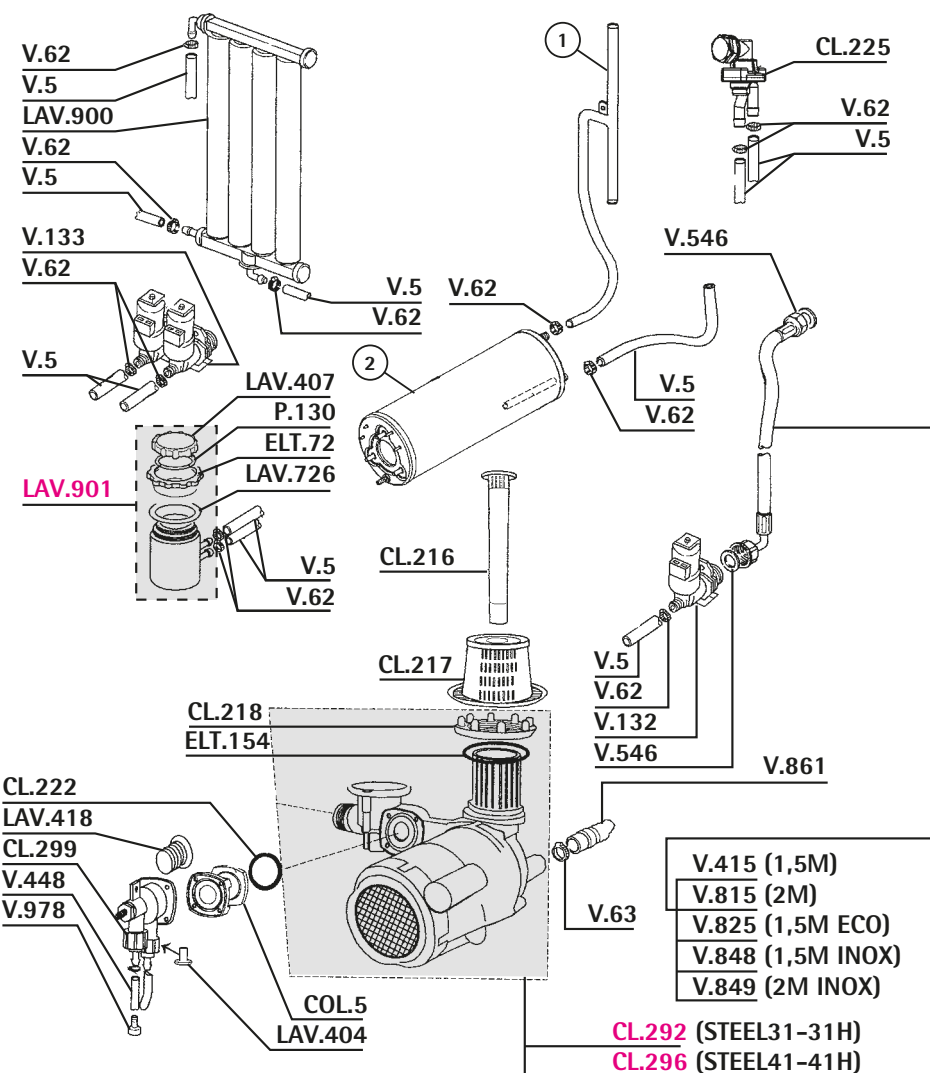
CONSULT US.

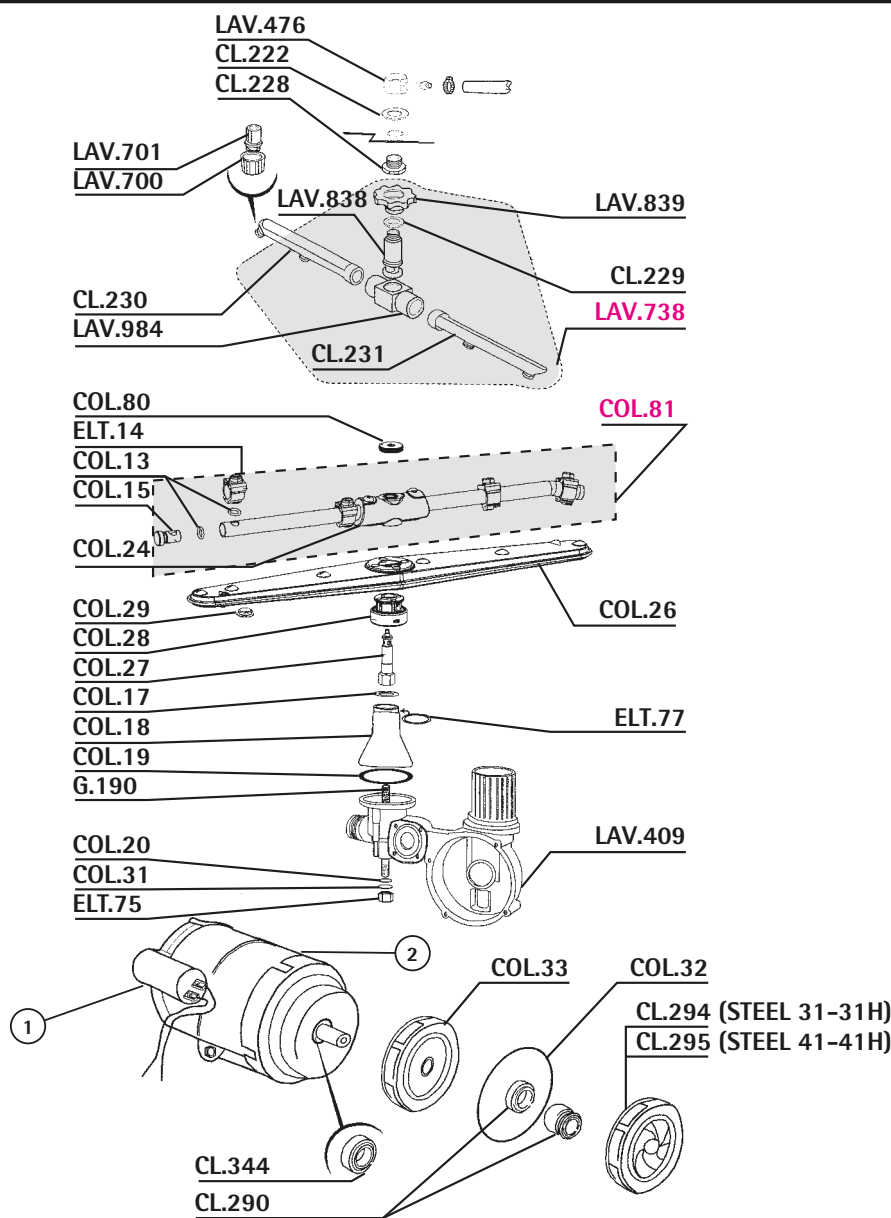


REF.	DESCRIPCIÓN	DESCRIPTION
AZ...36	TORICA GOMA EPDM	RING
CL.200	BOMBA CENTRIFUGA	PUMP
CL.210	RESIST.CUBA 600W 230V	RESISTANCE TANK 600W/230V
CL.330	TERMOSTATO FIJO 80°	80° EVAPORATOR THERMOSTAT
CL.341	IMAN	MAGNET
COL...3	TERMOSTATO CALDERIN	BOILER THERMOSTATE
COL.76	SOPORTE INTERRUPTOR	SWITCH SUPPORT
COL.77	BOTON INTERRUPTOR	SWITCH BUTTON
COL.78	JUNTA RESISTENCIA	RESISTANCE GASKET
COL.79	RESISTENCIA 2600W 230V	RESIS 2600W 230V
ELT.27	JUNTA SOPORTE E-35	E-35 SUPPORT GASKET
ELT.28	ESCUADRA JUNTA SOPORTE E-35	E-35 SUPPORT GASKET SQUARE
ELT.29	JUNTA SOPORTE E-40	E-40 SUPPORT GASKET
ELT.30	ESCUADRA JUNTA SOPORTE	E-40 SUPPORT GASKET SQUARE
ELT.31	ESCUADRA PUERTA IZQUIERDA	LEFT DOOR SQUARE
ELT.32	ESCUADRA PUERTA DERECHA	RIGHT DOOR SQUARE
ELT.33	PERNO BISAGRA	HINGE BOLT
ELT.34	PLANCHA ENGANCHE PUERTA	DOOR PLATE
ELT.35	GUIA ENGANCHE PUERTA	DOOR GUIDE
ELT.45	CAMARA PRESOSTATICA	PRESSURE SWITCH CHAMBER
FA1031	ABRAZADERA INOX 8-16	8-16 INOX CLAMP
LAV419	TERMOSTATO CUBA 95°	95° TANK THERMOSTAT
LAV420	TERMOSTATO CUBA 60°	60° TANK THERMOSTAT
LAV427	INTERRUPTOR	SWITCH
LAV428	PULSADOR 2 CONTACTOS	2 CONTACTS PUSH-BUTTON
LAV433	RELE 60.62 240/50HZ	240/50HZ 60.62 RELAY
LAV453	BASE CIERRE PUERTA	CLOSING DOOR BASE
LAV626	PIE MAQUINA	MACHINE FOOT
LAV629	PRESOSTATO SAL.HOR.35/17	35/17 HORIZ.PRESS.SWITCH
LAV650	PILOTO AMARILLO 6mm C/CAB	6mm.YELLOW W/WIRING LAMP
LAV657	RACOR CAMPANA	PRESSURE SWITCH FITTING
LAV659	JUNTA GOMA	RUBBER GASKET
LAV717	MUELLE CIERRE	CLOSING SPRING
LAV944	CAMARA PRESOSTATICA	PRES.SWITCH CHAMBER
LAV948	PROGRAMADOR 3 LEVAS 150S	3 TOOTH 150S TIMER
LAV949	PROGRAMADOR REGEN.1MICRO	1TOOTH REGENERACT. TIMER
V...30	RACOR ENTRADA JABON	INLET SOAP FITTING
V...448	TUBO PRESOSTATO-METRO 4X6	4X6 PRE.SWITCH INLET PIPE
V...611	TUBO INTERIOR DOS.PER. JABON	INLET PIPE
V...613	TUBO INTERIOR DOS.PER.ABRILLAN	RINS.AID INSIDE PIPE
V...973	DOSIFICADOR PERISTALTICO INTER	INTERNAL PERISTALTIC DOS.
V...978	FILTRO DOSIFICADOR	DOSIMETER FILTER
V...980	RACOR ENTRADA JABON LARGO	LONG INLET FITTING
V.1741	DOSIF.ABRILL.INTERNO 230V AC	230Vac INTERNAL RINSE DOSIMET
V.1800	RACOR ENTRADA JABON METALICO	METALIC DETER.INLET FITTING

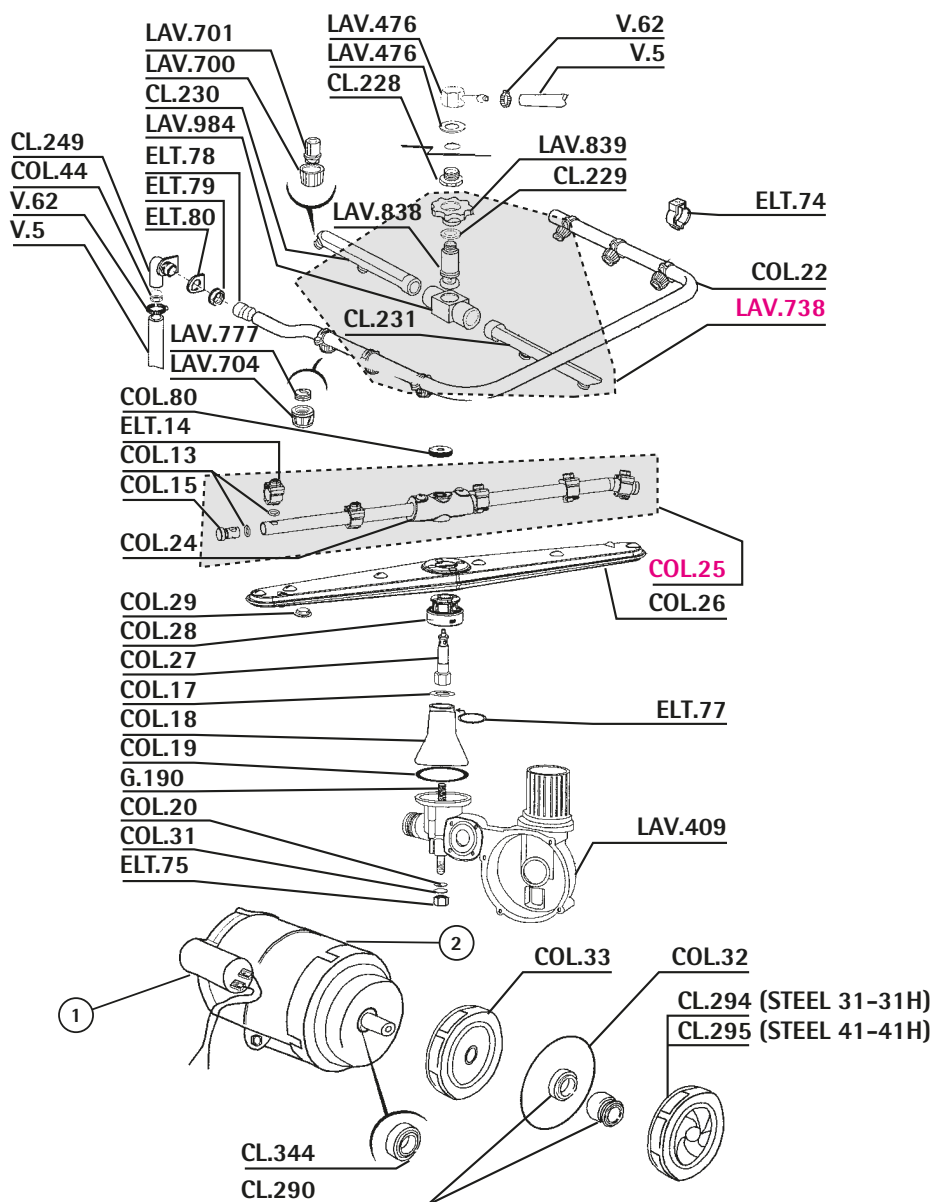


REF.	DESCRIPCIÓN	DESCRIPTION
CL.216	SOBRENIVEL	OVERFLOW
CL.217	FILTRO	FILTER
CL.218	BASE FILTRO	FILTER BASE
CL.222	TORICA	RING
CL.225	RACOR	FITTING
CL.292	MOTOR C350 0.25HP	C350 0.25HP MOTOR
CL.296	MOTOR C400 0.33HP	C400 0.33HP MOTOR
CL.299	DOSIFICADOR HIDRAULICO	HIDRAULIC DOSIMETER
COL...5	JUNTA	GASKET
ELT.72	RACOR DEPOSITO SAL	FITTING SALT CONTAINER
ELT154	JUNTA GOMA	RUBER GASKET
LAV404	VALVULA ASPIRACION	SUCTION VALVE
LAV407	TAPON DEPOSITO SAL	SALT TANK CAP
LAV418	MEMBRANA DOSIFICADOR	DOSIMETER MEMBRANE
LAV726	JUNTA GOMA BOTELLA SAL	BOTTLE SALT RUBBER GASKET
LAV900	DEPURADOR LAVATAZAS	WASHING CUP PURIFIER
LAV901	DEPOSITO SAL COMPLETO	SALT CONTAINER
P.130	TORICA EPDM	RING
V...5	TUBO GOMA 10X16 20 ATM	20ATM 10X17 RUBBER PIPE
V...62	ABRAZADERA 12-20	12-20 CLAMP
V...63	ABRAZADERA 20-32	20-32 CLAMP
V...132	ELECTROVAL.1 VIA LAV.220V	WASH 1 WAY 220V SOLENOID
V.133	ELECTROVAL.2 VIA LAV.220V	WASH 2 WAYS 220V SOLENOID
V.415	TOMA LAVADORA 1,5M	QUALITY 1.5M.INLET W.FLEX
V.448	TUBO PRESOSTATO-METRO 4X6	4X6 PRE.SWITCH INLET PIPE
V.546	JUNTA GOMA 3/4	WATER INLET RUBBER GASKET
V.815	TOMA LAVADORA 2 METROS	2 MT.INLET WATER FLEXIBLE
V.825	TOMA LAVADORA 1.5 "ECO"	"ECO"1.5M INLET WA.FLEXIB
V.848	TOMA LAVADORA 1.5M INOX	INOX 1.5M INLET WATER FL.
V.849	TOMA LAV.INOX 2MT.3/4X3/4	INOX 2MT.INLET WATER FLE.
V.861	TUBO GOMA 12X22mm 20ATM	20ATM 12X22mm RUBBER PIPE
V.978	FILTRO DOSIFICADOR	DOSIMETER FILTER



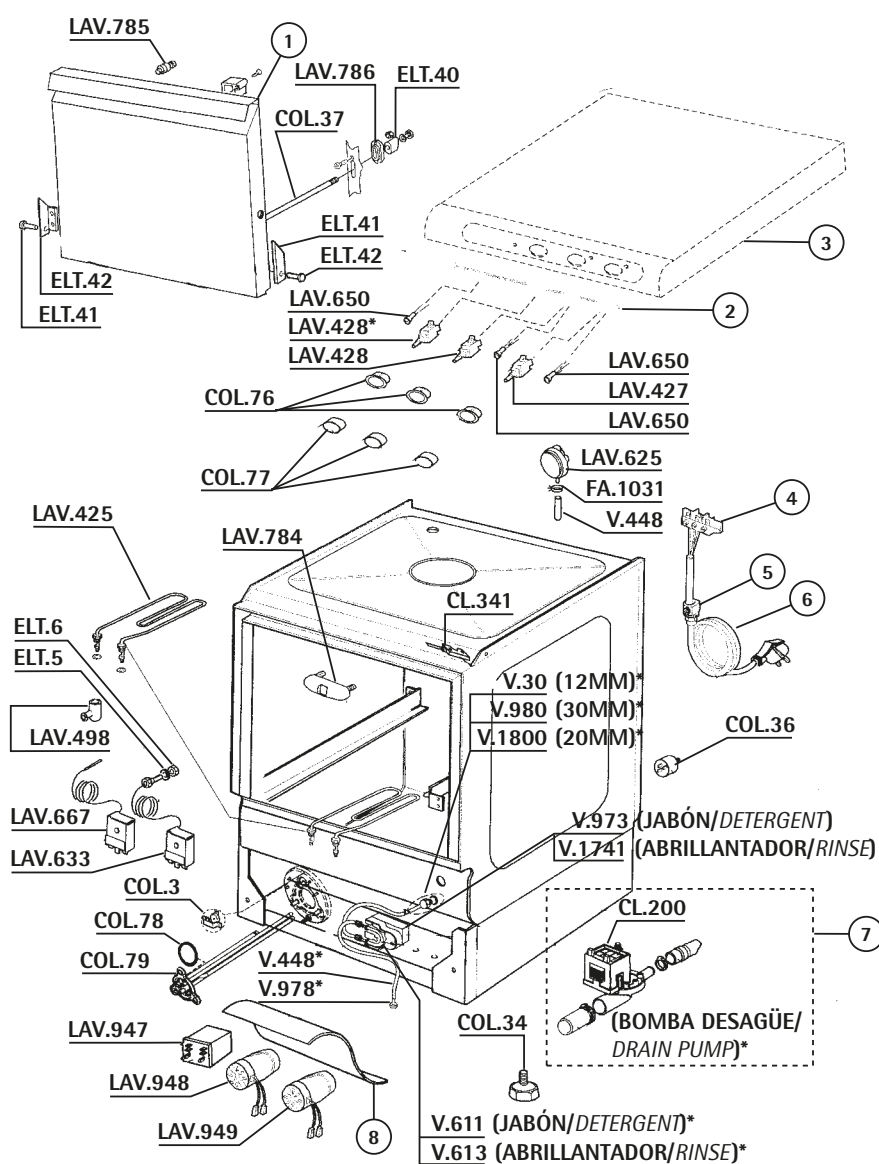


REF.	DESCRIPCIÓN	DESCRIPTION
CL.222	TORICA	RING
CL.228	TAPON	CAP
CL.229	JUNTA TEFLON	TEFLON GASKET
CL.230	BRAZO ACLARADO IZQUIERDO	LEFT RINSE ARM
CL.231	BRAZO ACLARADO DERECHO	RIGHT RINSE ARM
CL.293	RETEN	MECHANICAL SEAL
CL.294	GIRANTE C350	C350 GYRATORY
CL.295	GIRANTE C400	C400 GYRATORY
CL.344	COJINETE C350/400	C350/400 BALL BEARING
COL.13	JUNTA ROCIADOR	SPRAY GASKET
COL.15	TAPON GIRATORIO	GIRATORY COVER
COL.17	JUNTA COLECTOR INFERIOR	LOWER COLLECTOR GASKET
COL.18	COLECTOR INFERIOR	LOWER COLLECTOR
COL.19	JUNTA	GASKET
COL.20	JUNTA	GASKET
COL.24	UNION GIRATORIO	JUNCTION GIRATORY
COL.26	GIRATORIO LAVADO	WASHING GIRATORY
COL.27	EJE GIRATORIO	GIRATORY ROD
COL.28	ADAPTADOR GIRATORIO	GIRATORY ADAPTOR
COL.29	ROCIADOR	SPRAY
COL.31	JUNTA	GASKET
COL.32	JUNTA TAPA MOTOR	MOTOR LID GASKET
COL.33	TURBINA	TURBINE
COL.80	TORNILLO GIRATORIO	GIRATORY SCREW
COL.81	GIRATORIO ACLARADO	RINSE GIRATORY
ELT.14	ROCIADOR ACLARADO	RINSE SPRAY
ELT.75	TUERCA	NUT
ELT.77	JUNTA TEFLON	GASKET
G..190	TORICA GOMA	RUBBER RING
LAV409	CUERPO INFERIOR E35/40	E35/40 LOWER BODY
LAV476	RACOR	FITTING
LAV700	TUERCA ACLARADO	RINSE NUT
LAV701	TAPON ACLARADO	RINSING CAP
LAV738	ASTA ACLARADO SUPERIOR	UPPER RINSE ARM
LAV838	EJE COLECTOR ACLARADO	COLLECTOR ROD
LAV839	TUERCA FIJACION PLASTICO	PLASTIC FIXING NUT
LAV984	COLECTOR SUP. ACLARADO	RINSING UPPER COLLECTOR

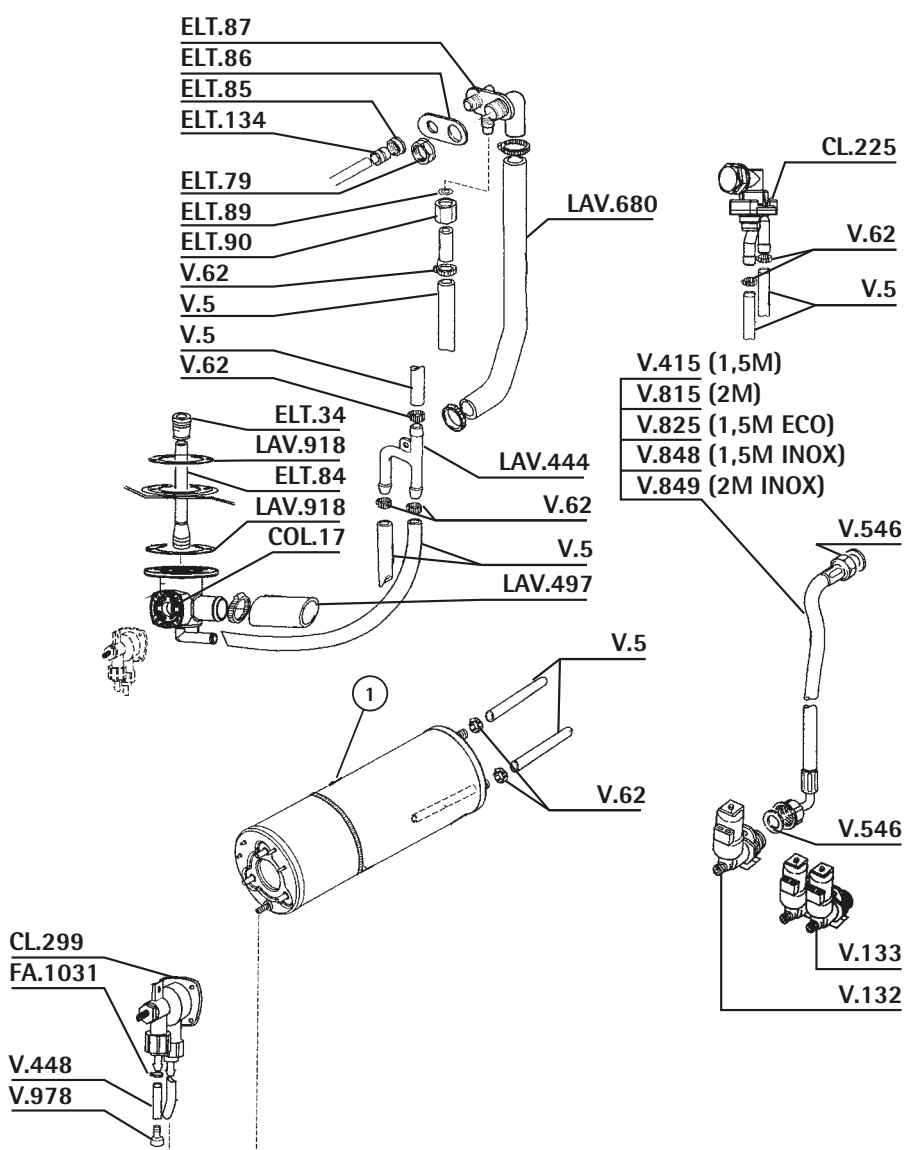


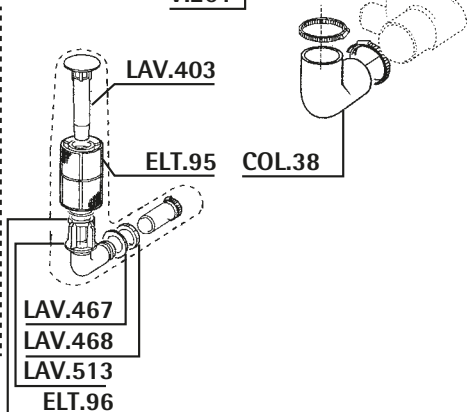
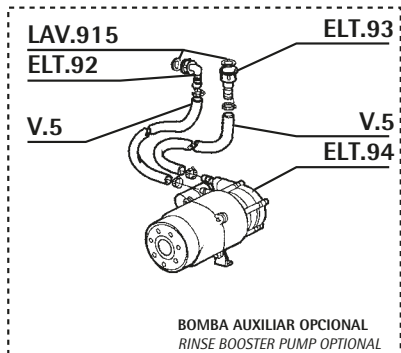
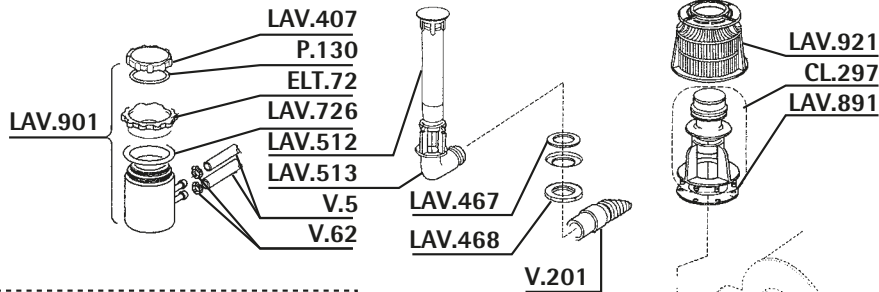
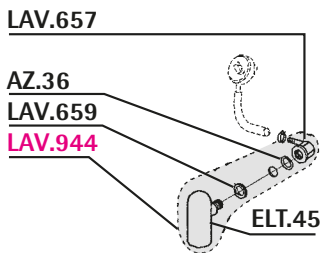
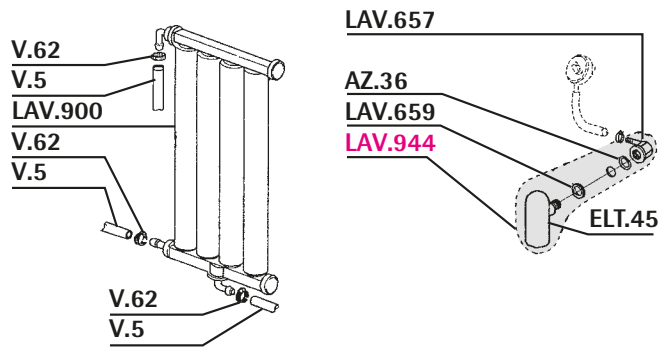
REF.	DESCRIPCIÓN	DESCRIPTION
CL.228	TAPON	CAP
CL.229	JUNTA TEFLON	TEFLON GASKET
CL.230	BRAZO ACLARADO IZQUIERDO	LEFT RINSE ARM
CL.231	BRAZO ACLARADO DERECHO	RIGHT RINSE ARM
CL.249	CODO	ELBOW
CL.290	RETEN	MECHANICAL SEAL
CL.294	GIRANTE C350	C350 GYRATORY
CL.295	GIRANTE C400	C400 GYRATORY
CL.344	COJINETE C350/400	C350/400 BALL BEARING
COL.13	JUNTA ROCIADOR	SPRAY GASKET
COL.15	TAPON GIRATORIO	GIRATORY COVER
COL.17	JUNTA COLECTOR INFERIOR	LOWER COLLECTOR GASKET
COL.18	COLECTOR INFERIOR	LOWER COLLECTOR
COL.19	JUNTA	GASKET
COL.20	JUNTA	GASKET
COL.22	ASTA ACLARADO	RINSE ARM
COL.24	UNION GIRATORIO	JUNCTION GIRATORY
COL.25	GIRATORIO LAVADO	WASHING GIRATORY
COL.26	GIRATORIO LAVADO	WASHING GIRATORY
COL.27	EJE GIRATORIO	GIRATORY ROD
COL.28	ADAPTADOR GIRATORIO	GIRATORY ADAPTOR
COL.29	ROCIADOR	SPRAY
COL.31	JUNTA	GASKET
COL.32	JUNTA TAPA MOTOR	MOTOR LID GASKET
COL.33	TURBINA	TURBINE
COL.44	CASQUILLO	CAP
COL.80	TORNILLO GIRATORIO	GIRATORY SCREW
ELT.14	ROCIADOR ACLARADO	RINSE SPRAY
ELT.74	BRIDA	CLASP
ELT.75	TUERCA	NUT
ELT.77	JUNTA TEFLON	GASKET
ELT.78	INSERTO	INSERT
ELT.79	TUERCA PLASTICO	NUT
ELT.80	JUNTA	GASKET
G..190	TORICA GOMA	RUBBER RING
LAV409	CUERPO INFERIOR E35/40	E35/40 LOWER BODY
LAV476	RACOR	FITTING
LAV700	TUERCA ACLARADO	RINSE NUT
LAV701	TAPON ACLARADO	RINSING CAP
LAV704	RACOR LAVADO	WASHING FITTING
LAV738	ASTA ACLARADO SUPERIOR	UPPER RINSE ARM
LAV777	HELICE LAVADO	WASHING PROPELLER
LAV838	EJE COLECTOR ACLARADO	COLLECTOR ROD
LAV839	TUERCA FIJACION PLASTICO	PLASTIC FIXING NUT
LAV984	COLECTOR SUP. ACLARADO	RINSING UPPER COLLECTOR
V...5	TUBO GOMA 10X16 20 ATM	20ATM 10X17 RUBBER PIPE
V...62	ABRAZADERA 12-20	12-20 CLAMP

REF.	DESCRIPCIÓN	DESCRIPTION
CL.200	BOMBA CENTRIFUGA	PUMP
CL.341	IMAN	MAGNET
COL...3	TERMOSTATO CALDERIN	BOILER THERMOSTATE
COL.34	PATA	FOOT
COL.36	FILTRO	FILTER
COL.37	VARILLA PUERTA	DOOR ROD
COL.76	SOPORTE INTERRUPTOR	SWITCH SUPPORT
COL.77	BOTON INTERRUPTOR	SWITCH BUTTON
COL.78	JUNTA RESISTENCIA	RESISTANCE GASKET
COL.79	RESISTENCIA 2600W 230V	RESIS 2600W 230V
ELT.5	ARANDELA BULBO	BULB WASHER
ELT.6	TUERCA BULBO	BULB NUT
ELT.40	FIJADOR ENGANCHE PUERTA	DOOR FIXATION
ELT.41	PASADOR ESCUADRA PUERTA	DOOR BOLT
ELT.42	ESCUADRA PUERTA	DOOR SQUARE
FA1031	ABRAZADERA INOX 8-16	8-16 INOX CLAMP
LAV425	RESISTENCIA 2250W-230V	2250W-230V RESISTANCE
LAV427	INTERRUPTOR	SWITCH
LAV428	PULSADOR 2 CONTACTOS	2 CONTACTS PUSH-BUTTON
LAV498	RACOR T	T FITTING
LAV625	PRESOSTATO SAL.HOR.55/35	55/35 HOR.PRESSURE SWITCH
LAV633	TERMOSTATO CUBA ROSCADO	SCREW TANK THERMOSTAT
LAV650	PILOTO AMARILLO 6mm C/CAB	6mm.YELLOW W/WIRING LAMP
LAV667	TERMOSTATO CALDERIN	BOILER THERMOSTAT
LAV784	CIERRE PUERTA	CLOSING DOOR
LAV785	PIVOTE CIERRE PUERTA	CLOSING DOOR PIVOT
LAV786	SOPORTE CIERRE PUERTA 22R	22R CLOSING DOOR SUPPORT
LAV947	RELE A2-230AC-L	A2-230AC-L RELAY
LAV948	PROGRAMADOR 3 LEVAS 150S	3 TOOTH 150S TIMER
LAV949	PROGRAMADOR REGEN.1MICRO	1TOOTH REGENERACT. TIMER
V...30	RACOR ENTRADA JABON	INLET SOAP FITTING
V.448	TUBO PRESOSTATO-METRO 4X6	4X6 PRE.SWITCH INLET PIPE
V.611	TUBO INTERIOR DOS.PER. JABON	INLET PIPE
V.613	TUBO INTERIOR DOS.PER.ABRILLAN	RINS.AID INSIDE PIPE
V.973	DOSIFICADOR PERISTALTICO INTER	INTERNAL PERISTALTIC DOS.
V.978	FILTRO DOSIFICADOR	DOSIMETER FILTER
V.980	RACOR ENTRADA JABON LARGO	LONG INLET FITTING
V.1741	DOSIF.ABRILL.INTERNO 230V AC	230Vac INTERNAL RINSE DOSIMET
V.1800	RACOR ENTRADA JABON METALICO	METALIC DETER.INLET FITTING



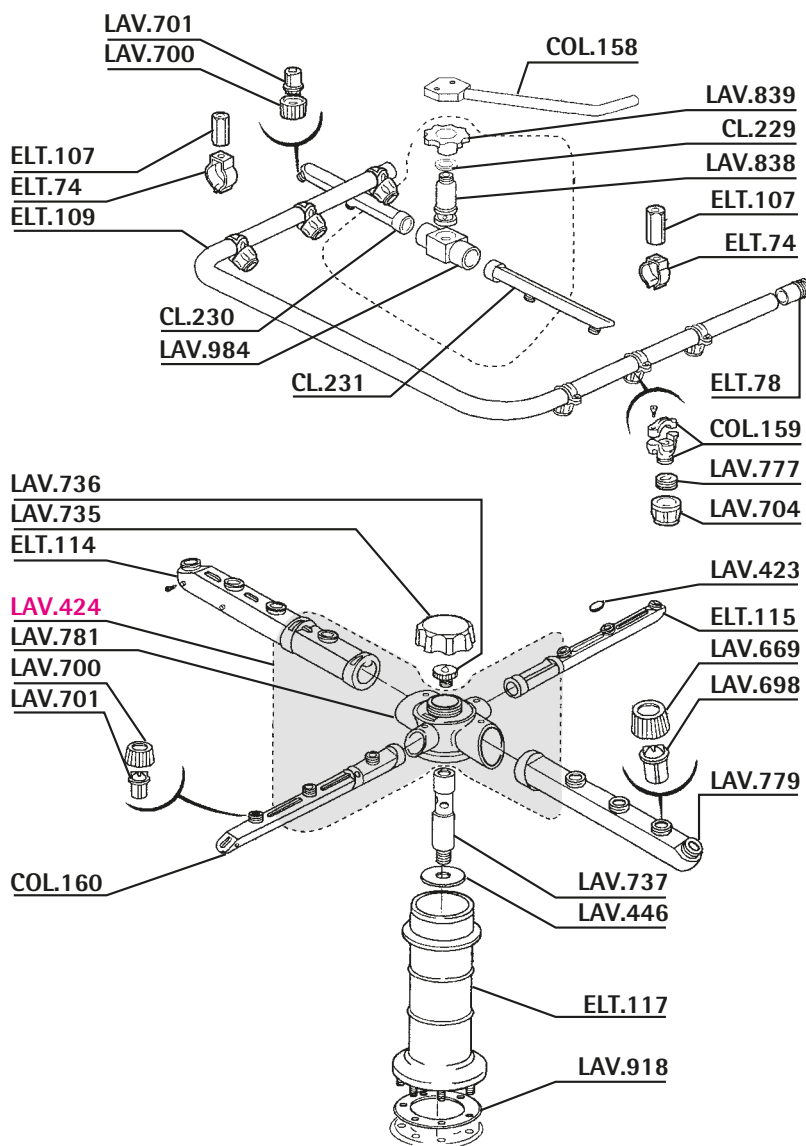
REF.	DESCRIPCIÓN	DESCRIPTION
CL.225	RACOR	FITTING
CL.299	DOSIFICADOR HIDRAULICO	HIDRAULIC DOSIMETER
COL.17	JUNTA COLECTOR INFERIOR	LOWER COLLECTOR GASKET
ELT.34	PLANCHA ENGANCHE PUERTA	DOOR PLATE
ELT.79	TUERCA PLASTICO	NUT
ELT.84	TUBO ALARADO	RINSE ARM
ELT.85	TUERCA	NUT
ELT.86	JUNTA COLECTOR	COLECTOR GASKET
ELT.87	RACOR EMPALME	UNION FITTING
ELT.89	JUNTA	GASKET
ELT.90	RACOR	FITTING
ELT.134	INSERTO CONDUCTO	CONDUIT INSERT
FA1031	ABRAZADERA INOX 8-16	8-16 INOX CLAMP
LAV444	RACOR 3 VIAS	3 WAYS FITTING
LAV497	MANGUITO	SLEEVE
LAV680	TUBO IMPULSION	IMPULSION PIPE
LAV918	JUNTA COLECTOR INFERIOR GOMA	RUBBER GASKET
V...5	TUBO GOMA 10X16 20 ATM	20ATM 10X17 RUBBER PIPE
V...62	ABRAZADERA 12-20	12-20 CLAMP
V..132	ELECTROVAL.1 VIA LAV.220V	WASH 1 WAY 220V SOLENOID
V..133	ELECTROVAL.2 VIA LAV.220V	WASH 2 WAYS 220V SOLENOID
V.415	TOMA LAVADORA 1,5M	QUALITY 1.5M.INLET W.FLEX
V.448	TUBO PRESOSTATO-METRO 4X6	4X6 PRE.SWITCH INLET PIPE
V.546	JUNTA GOMA 3/4	WATER INLET RUBBER GASKET
V.815	TOMA LAVADORA 2 METROS	2 MT.INLET WATER FLEXIBLE
V.825	TOMA LAVADORA 1.5 "ECO"	"ECO"1.5M INLET WA.FLEXIB
V.848	TOMA LAVADORA 1.5M INOX	INOX 1.5M INLET WATER FL.
V.849	TOMA LAV.INOX 2MT.3/4X3/4	INOX 2MT.INLET WATER FLE.
V.978	FILTRO DOSIFICADOR	DOSIMETER FILTER





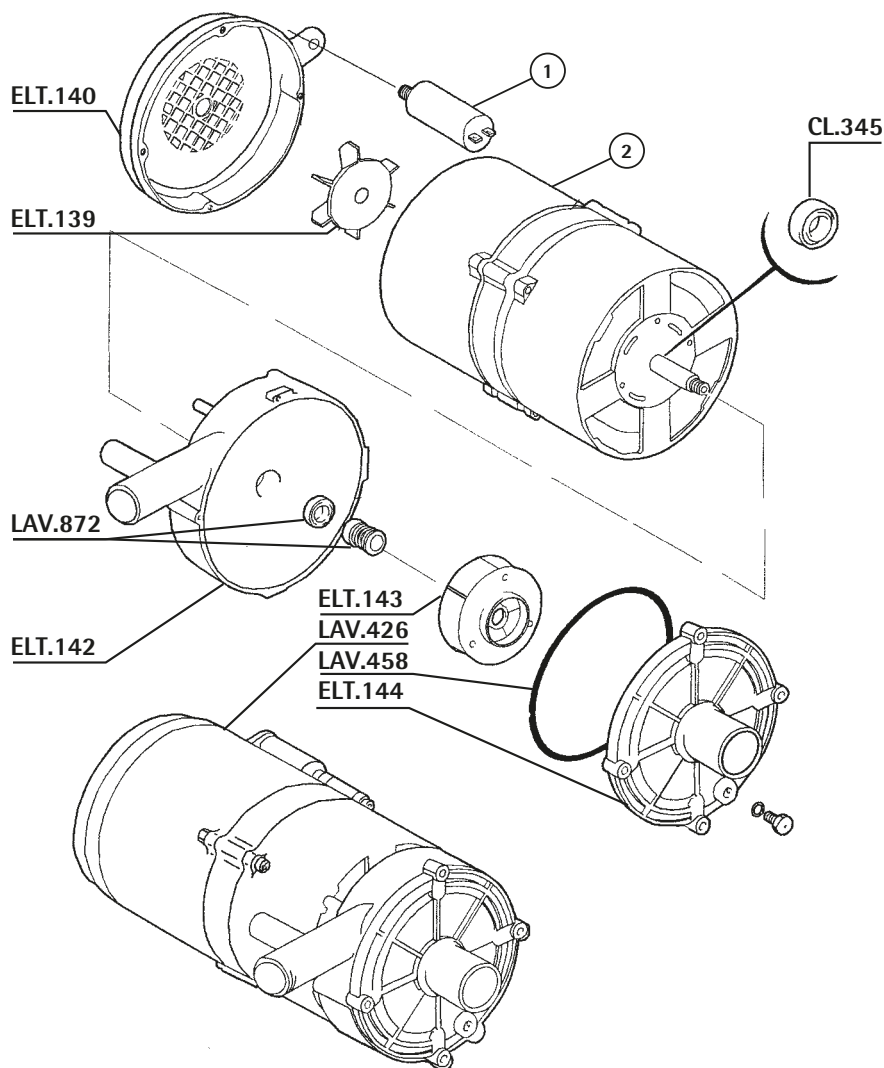
REF.	DESCRIPCIÓN	DESCRIPTION
AZ..36	TORICA GOMA EPDM	RING
CL.297	BASE FILTRO	FILTER BASE
COL.38	CODO	ELBOW
ELT.45	CAMARA PRESOSTATICA	PRESSURE SWITCH CHAMBER
ELT.72	RACOR DEPOSITO SAL	FITTING SALT CONTAINER
ELT.92	RACOR CODO	ELBOW FITTING
ELT.93	TUERCA 3/4	3/4 FITTING
ELT.94	BOMBA AUMENTO PRESION	PRESSURE PUMP
ELT.95	FILTRO	FILTER
ELT.96	ARO FILTRO	FILTER GASKET
LAV403	SOBRENIVEL	OVERFLOW
LAV407	TAPON DEPOSITO SAL	SALT TANK CAP
LAV467	JUNTA GOMA	RUBBER GASKET
LAV468	TUERCA	NUT
LAV512	TAPON DESAGÜE 50R-F	50R-F INLET CAP
LAV513	CURVA DESCARGA	OUTLET ELBOW
LAV657	RACOR CAMPANA	PRESSURE SWITCH FITTING
LAV659	JUNTA GOMA	RUBBER GASKET
LAV726	JUNTA GOMA BOTELLA SAL	BOTTLE SALT RUBBER GASKET
LAV891	JUNTA FILTRO BOMBA GOMA	FILTER PUMP RUBBER GASKET
LAV900	DEPURADOR LAVATAZAS	WASHING CUP PURIFIER
LAV901	DEPOSITO SAL COMPLETO	SALT CONTAINER
LAV915	JUNTA CALDERIN ALIMENTAR.	BOILER ALIMENTARY GASKET
LAV921	FILTRO BOMBA	PUMP FILTER
LAV944	CAMARA PRESOSTATICA	PRES.SWITCH CHAMBER
P.130	TORICA EPDM	RING
V...5	TUBO GOMA 10X16 20 ATM	20ATM 10X17 RUBBER PIPE
V...62	ABRAZADERA 12-20	12-20 CLAMP
V.201	TUBO DESAGÜE 28mm. 1,5mt.	28mm. 1.5mt OUTLET PIPE

Lavado / Aclarado STEEL 45 ■ STEEL 45 Rinse / Wash



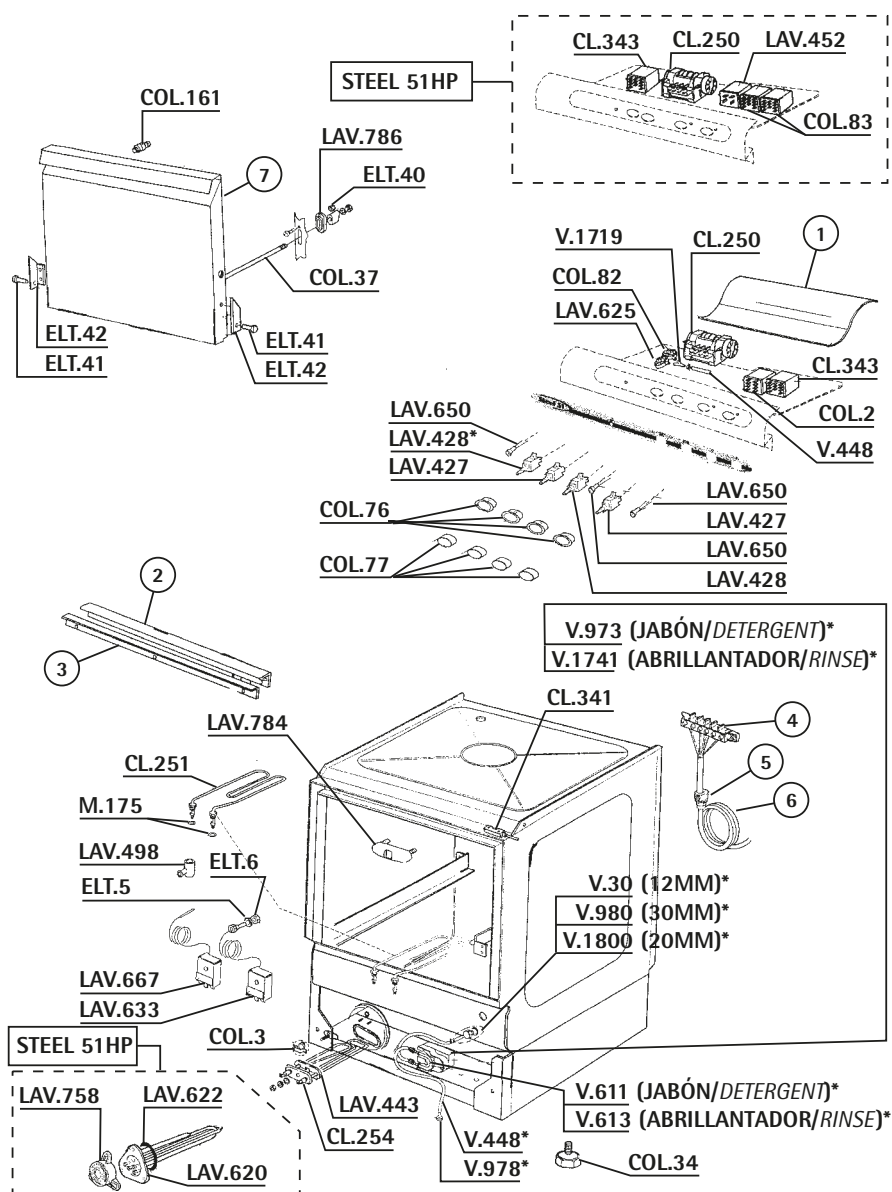
REF.	DESCRIPCIÓN	DESCRIPTION
CL.229	JUNTA TEFLON	TEFLON GASKET
CL.230	BRAZO ACLARADO IZQUIERDO	LEFT RINSE ARM
CL.231	BRAZO ACLARADO DERECHO	RIGHT RINSE ARM
COL.158	CONDUCTO ACLARADO	RINSE PIPE
COL.159	SERVIR COL.42	GO TO COL.42
COL.160	BRAZO GIRATORIO IZQUIERDO	LEFT GIRATORY ARM
ELT.74	BRIDA	CLASP
ELT.78	INSERTO	INSERT
ELT.107	DISTANCIAL	DISTANCER
ELT.109	ARBOL LAVADO	WASH TREE
ELT.114	BRAZO LAVADO IZQUIERDO	LEFT WASH ARM
ELT.115	BRAZO ACLARADO DERECHO	RIGHT RINCAGE ARM
ELT.117	CONDUCTO INFERIOR	LOWER CONDUIT
LAV.423	TAPON ASTA	ARM CAP
LAV.424	ASTA LAVADO-ACLARADO E45	E45 WASH-RINSE ARM
LAV.446	ARANDELA EJE 40-400F	40-400F WASHER ROD
LAV.698	RACOR LAVADO	WASHING FITTING
LAV.700	TUERCA ACLARADO	RINSE NUT
LAV.701	TAPON ACLARADO	RINSING CAP
LAV.704	RACOR LAVADO	WASHING FITTING
LAV.735	MANDO FIJACION 40-400F	40-400F FIXATION HANDLE
LAV.736	TORNILLO	SCREW
LAV.737	EJE COLECTOR CENTRO	COLLECTOR ROD
LAV.777	HELICE LAVADO	WASHING PROPELLER
LAV.779	BRAZO LAVADO	WASHING ARM
LAV.781	RACOR CRUZ	FITTING
LAV.838	EJE COLECTOR ACLARADO	COLLECTOR ROD
LAV.839	TUERCA FIJACION PLASTICO	PLASTIC FIXING NUT
LAV.918	JUNTA COLECTOR INFERIOR GOMA	RUBBER GASKET
LAV.984	COLECTOR SUP. ACLARADO	RINSING UPPER COLLECTOR

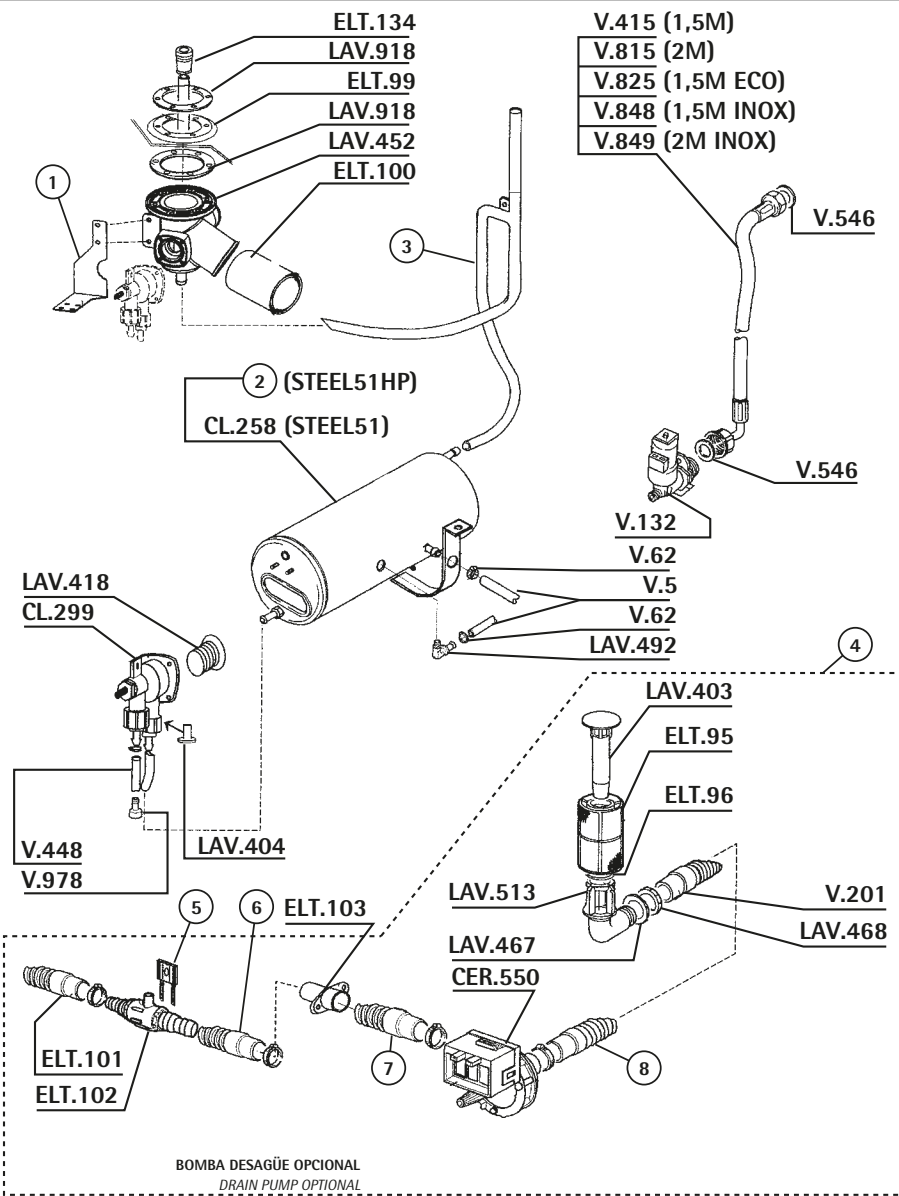
REF.	DESCRIPCIÓN	DESCRIPTION
CL.345	COJINETE	BALL BEARING
ELT139	ASPA VENTILACION	VENTILATION REEL
ELT140	TAPA ASPA BOMBA	PUMP REEL LID
ELT142	BASE CABEZAL E-45 T.90	E-45 T.90 HEAD BASE
ELT143	GIRANTE BOMBA E-45 T.90	E-45 T.90 PUMP GIRATORY
ELT144	CUERPO BOMBA E-45 T.90	E-45 T.90 POMPE BODY
LAV426	MOTOR E-45 0.45HP	0.45HP E-45 MOTOR
LAV458	TORICA BOMBA	PUMP RING
LAV872	RETEN EJE MOTOR	MECHANICAL SEAL



Puerta / Componentes eléctricos STEEL 51 / STEEL 51HP ■ STEEL 51 / STEEL 51HP Electric componentes / Door

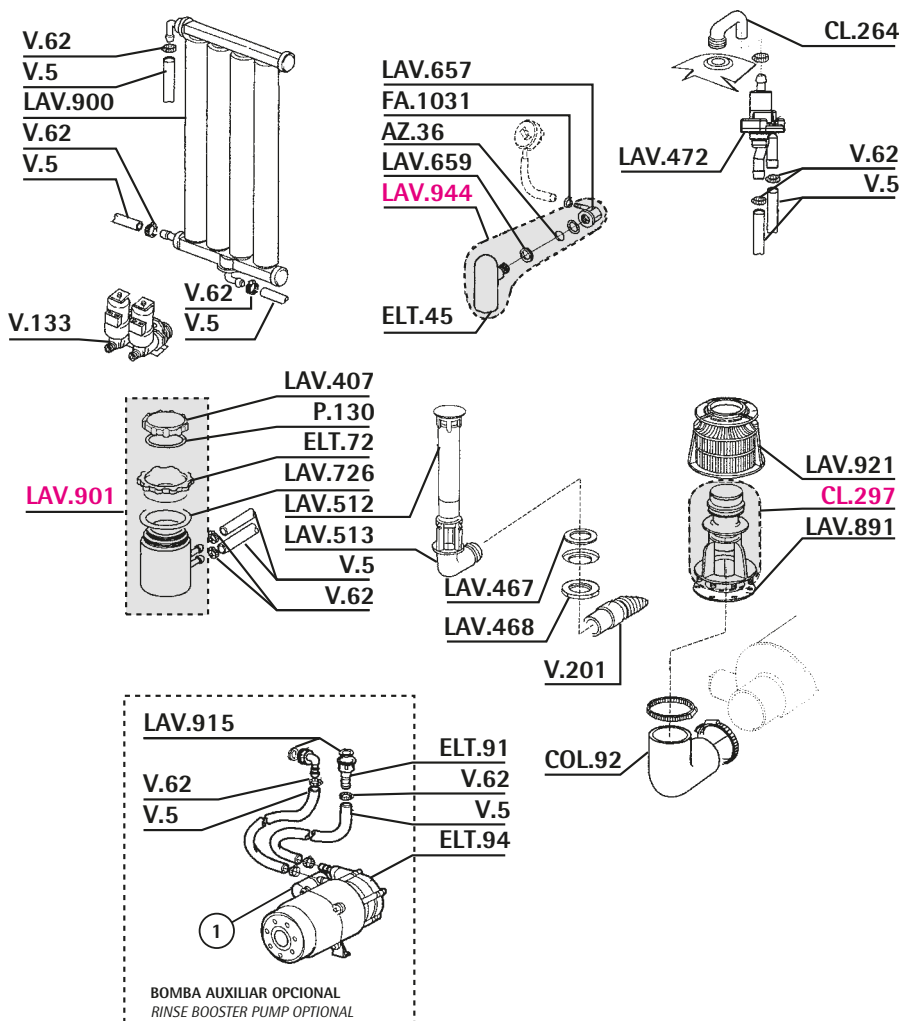
REF.	DESCRIPCIÓN	DESCRIPTION
CL.250	PROGRAMADOR	TIMER
CL.251	RESISTENCIA 3000W 230V	RESISTANCE 3000W 230V
CL.254	RESISTENCIA 3000W 230V	RESISTANCE 3000W 230V
CL.341	IMAN	MAGNET
CL.343	RELE FINDER 60.63 10A 250V	10A 250V FINDER 60.63 RELAY
COL.2	RELE	RELAY
COL.3	TERMOSTATO CALDERIN	BOILER THERMOSTATE
COL.34	PATA	FOOT
COL.37	VARILLA PUERTA	DOOR ROD
COL.76	SOPORTE INTERRUPTOR	SWITCH SUPPORT
COL.77	BOTON INTERRUPTOR	SWITCH BUTTON
COL.82	PRESOSTATO (95-70)	PRESSURE SWITCH (95-70)
COL.83	RELE	RELAY
COL.161	PIVOTE CIERRE PUERTA	DOOR CLOSING CAP
ELT.5	ARANDELA BULBO	BULB WASHER
ELT.6	TUERCA BULBO	BULB NUT
ELT.40	FIJADOR ENGANCHE PUERTA	DOOR FIXATION
ELT.41	PASADOR ESCUADRA PUERTA	DOOR BOLT
ELT.42	ESCUADRA PUERTA	DOOR SQUARE
LAV427	INTERRUPTOR	SWITCH
LAV428	PULSADOR 2 CONTACTOS	2 CONTACTS PUSH-BUTTON
LAV443	JUNTA RESISTENCIA	RESISTANCE GASKET
LAV452	RELE 65.31 230/50HZ	65.31 230/50HZ RELAY
LAV498	RACOR T	T FITTING
LAV620	RESISTENCIA CALDER. 4500W 230V	BOILER RESISTANCE 4500W 230V
LAV622	TORICA RESISTENCIA GOMA	RESISTANCE RUBBER RING
LAV625	PRESOSTATO SAL.HOR.55/35	55/35 HOR.PRESSURE SWITCH
LAV633	TERMOSTATO CUBA ROSCADO	SCREW TANK THERMOSTAT
LAV650	PILOTO AMARILLO 6mm C/CAB	6mm.YELLOW W/WIRING LAMP
LAV667	TERMOSTATO CALDERIN	BOILER THERMOSTAT
LAV758	PROTECTOR RESISTENCIA	RESISTANCE PROTECTOR
LAV784	CIERRE PUERTA	CLOSING DOOR
LAV786	SOPORTE CIERRE PUERTA 22R	22R CLOSING DOOR SUPPORT
M.175	TORICA GOMA EPDM	RUBBER RING
V.30	RACOR ENTRADA JABON	INLET SOAP FITTING
V.448	TUBO PRESOSTATO-METRO 4X6	4X6 PRE.SWITCH INLET PIPE
V.611	TUBO INTERIOR DOS.PER. JABON	INLET PIPE
V.613	TUBO INTERIOR DOS.PER.ABRILLAN	RINS.AID INSIDE PIPE
V.973	DOSIFICADOR PERISTALTICO INTER	INTERNAL PERISTALTIC DOS.
V.978	FILTRO DOSIFICADOR	DOSIMETER FILTER
V.980	RACOR ENTRADA JABON LARGO	LONG INLET FITTING
V.1719	RACOR PRESOSTATO Y	Y PRESSURE SWITCH FITTING
V.1741	DOSIF.ABRILLAN.INTERNO 230V AC	230Vac INTERNAL RINSE DOSIMET
V.1800	RACOR ENTRADA JABON METALICO	METALIC DETER.INLET FITTING





REF.	DESCRIPCIÓN	DESCRIPTION
CER550	BOMBA DESAGÜE 40W	40W OUTLET PUMP
CL.258	CALDERIN	BOILER
CL.299	DOSIFICADOR HIDRAULICO	HIDRAULIC DOSIMETER
ELT.95	FILTRO	FILTER
ELT.96	ARO FILTRO	FILTER GASKET
ELT.99	TUBO ACLARADO	RINSE PIPE
ELT.100	MANGUITO	SLEEVE
ELT.101	TUBO DESAGÜE	OUTLET PIPE
ELT.102	VALVULA DESAGÜE	OUTLET VALVE
ELT.103	RACOR DESAGÜE	OUTLET FITTING
ELT.134	INSERTO CONDUCTO	CONDUIT INSERT
LAV.403	SOBRENIVEL	OVERFLOW
LAV.404	VALVULA ASPIRACION	SUCTION VALVE
LAV.418	MEMBRANA DOSIFICADOR	DOSIMETER MEMBRANE
LAV.452	RELE 65.31 230/50HZ	65.31 230/50HZ RELAY
LAV.467	JUNTA GOMA	RUBBER GASKET
LAV.468	TUERCA	NUT
LAV.492	CODO	ELBOW
LAV.513	CURVA DESCARGA	OUTLET ELBOW
LAV.918	JUNTA COLECTOR INFERIOR GOMA	RUBBER GASKET
V....5	TUBO GOMA 10X16 20 ATM	20ATM 10X17 RUBBER PIPE
V..62	ABRAZADERA 12-20	12-20 CLAMP
V..132	ELECTROVAL.1 VIA LAV.220V	WASH 1 WAY 220V SOLENOID
V..201	TUBO DESAGÜE 28mm. 1,5mt.	28mm. 1.5mt OUTLET PIPE
V..415	TOMA LAVADORA 1,5M	QUALITY 1.5M.INLET W.FLEX
V..448	TUBO PRESOSTATO-METRO 4X6	4X6 PRE.SWITCH INLET PIPE
V..546	JUNTA GOMA 3/4	WATER INLET RUBBER GASKET
V..815	TOMA LAVADORA 2 METROS	2 MT.INLET WATER FLEXIBLE
V..825	TOMA LAVADORA 1.5 "ECO"	"ECO"1.5M INLET WA.FLEXIB
V..848	TOMA LAVADORA 1.5M INOX	INOX 1.5M INLET WATER FL.
V..849	TOMA LAV.INOX 2MT.3/4X3/4	INOX 2MT.INLET WATER FLE.
V..978	FILTRO DOSIFICADOR	DOSIMETER FILTER

Depurador / Bomba desagüe / Filtro STEEL 51 / STEEL 51HP ■ STEEL 51 / STEEL 51HP Filter / Drain pump / Purifier



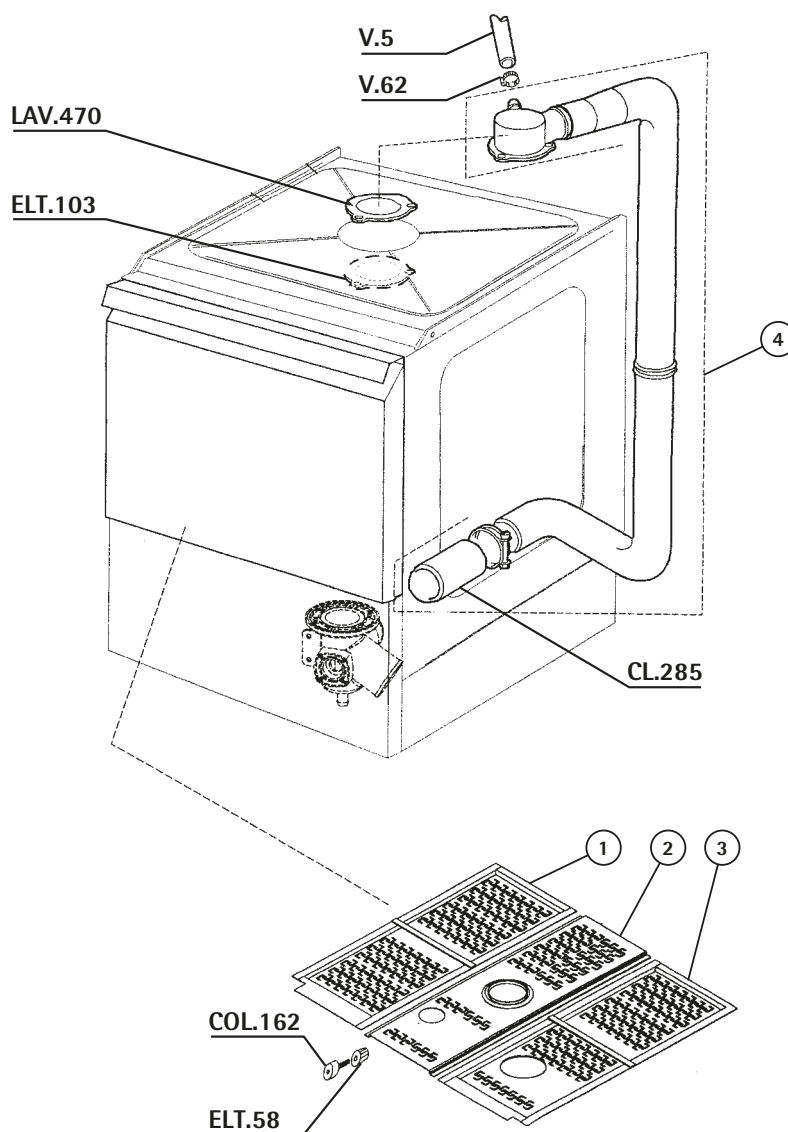
REF.	DESCRIPCIÓN	DESCRIPTION
AZ..36	TORICA GOMA EPDM	RING
CL.264	CODO	ELBOW
CL.297	BASE FILTRO	FILTER BASE
COL.92	CODO	ELBOW
ELT.45	CAMARA PRESOSTATICA	PRESSURE SWITCH CHAMBER
ELT.72	RACOR DEPOSITO SAL	FITTING SALT CONTAINER
ELT.91	RACOR RECTO	STRAIGHT FITTING
ELT.94	BOMBA AUMENTO PRESION	PRESSURE PUMP
FA.1031	ABRAZADERA INOX 8-16	8-16 INOX CLAMP
LAV.407	TAPON DEPOSITO SAL	SALT TANK CAP
LAV.467	JUNTA GOMA	RUBBER GASKET
LAV.468	TUERCA	NUT
LAV.472	UNION TUBO	PIPE JUNCTION
LAV.512	TAPON DESAGÜE 50R-F	50R-F INLET CAP
LAV.513	CURVA DESCARGA	OUTLET ELBOW
LAV.657	RACOR CAMPANA	PRESSURE SWITCH FITTING
LAV.659	JUNTA GOMA	RUBBER GASKET
LAV.726	JUNTA GOMA BOTELLA SAL	BOTTLE SALT RUBBER GASKET
LAV.891	JUNTA FILTRO BOMBA GOMA	FILTER PUMP RUBBER GASKET
LAV.900	DEPURADOR LAVATAZAS	WASHING CUP PURIFIER
LAV.901	DEPOSITO SAL COMPLETO	SALT CONTAINER
LAV.915	JUNTA CALDERIN ALIMENTAR.	BOILER ALIMENTARY GASKET
LAV.921	FILTRO BOMBA	PUMP FILTER
LAV.944	CAMARA PRESOSTATICA	PRES.SWITCH CHAMBER
P.130	TORICA EPDM	RING
V....5	TUBO GOMA 10X16 20 ATM	20ATM 10X17 RUBBER PIPE
V..62	ABRAZADERA 12-20	12-20 CLAMP
V..133	ELECTROVAL.2 VIA LAV.220V	WASH 2 WAYS 220V SOLENOID
V..201	TUBO DESAGÜE 28mm. 1,5mt.	28mm. 1.5mt OUTLET PIPE

¿Tiene alguna duda?
LLÁMENOS

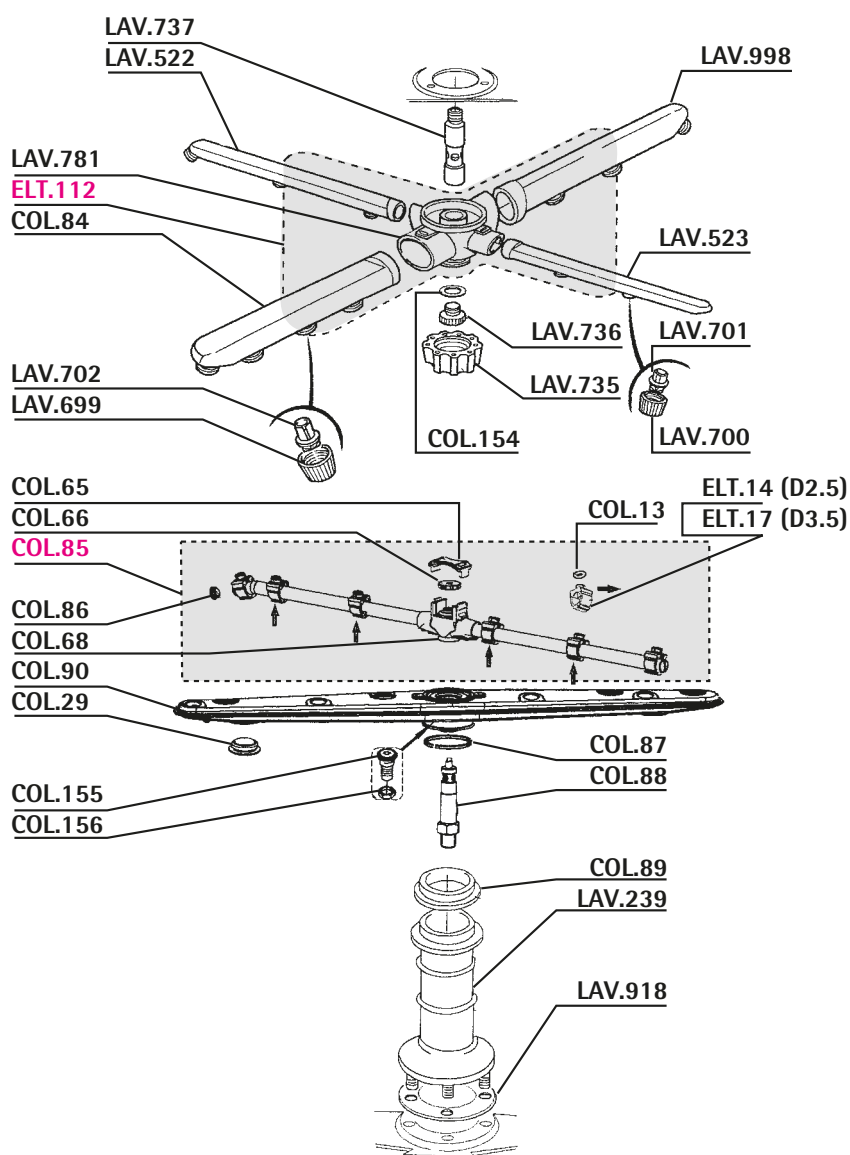


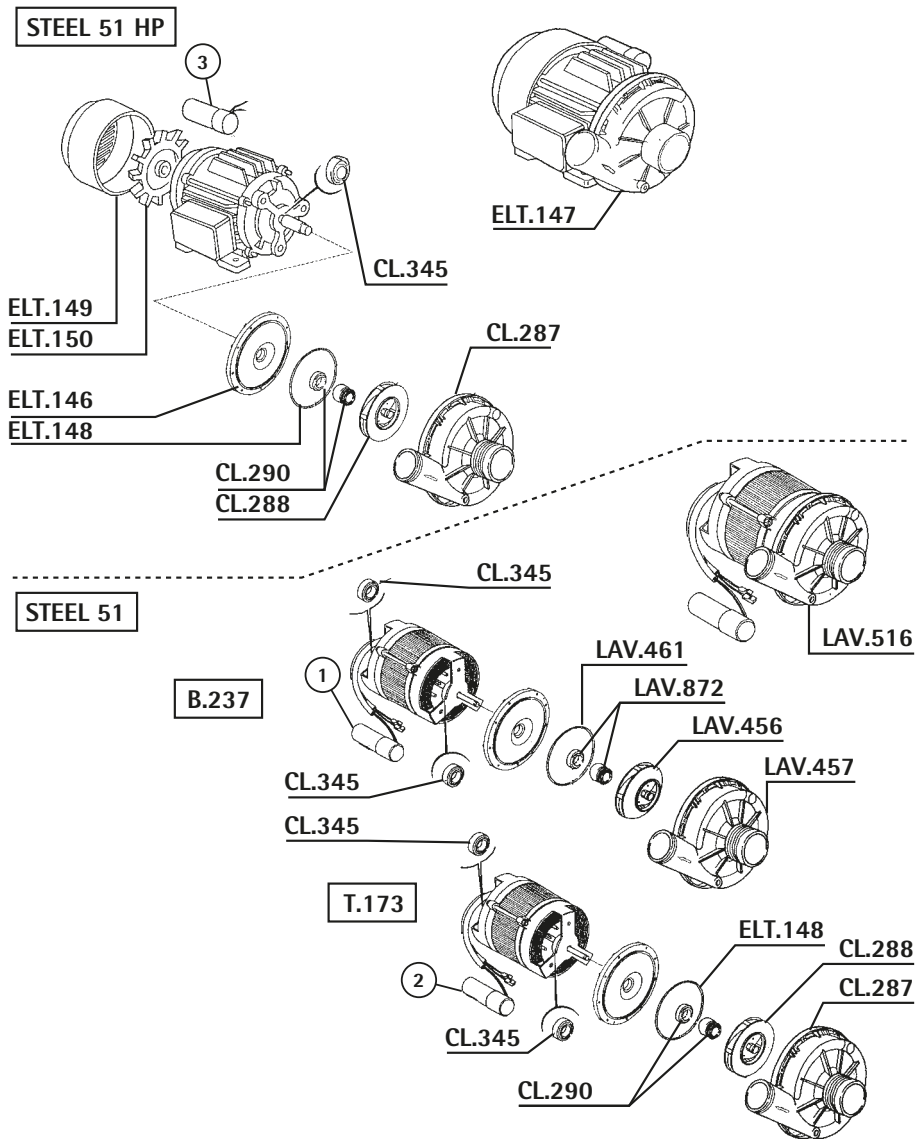
Tel: 93 377 64 11
Fax: 93 377 98 03
ascaso@ascaso.com

REF.	DESCRIPCIÓN	DESCRIPTION
CL.285	MANGUITO INFERIOR	LOWER SLEEVE
COL.162	TORNILLO FILTRO	FILTER SCREW
ELT.58	ENGANCHE FILTRO	FILTER FIXATION
ELT.103	RACOR DESAGÜE	OUTLET FITTING
LAV.470	JUNTA GOMA	RUBBER GASKET
V...5	TUBO GOMA 10X16 20 ATM	20ATM 10X17 RUBBER PIPE
V...62	ABRAZADERA 12-20	12-20 CLAMP



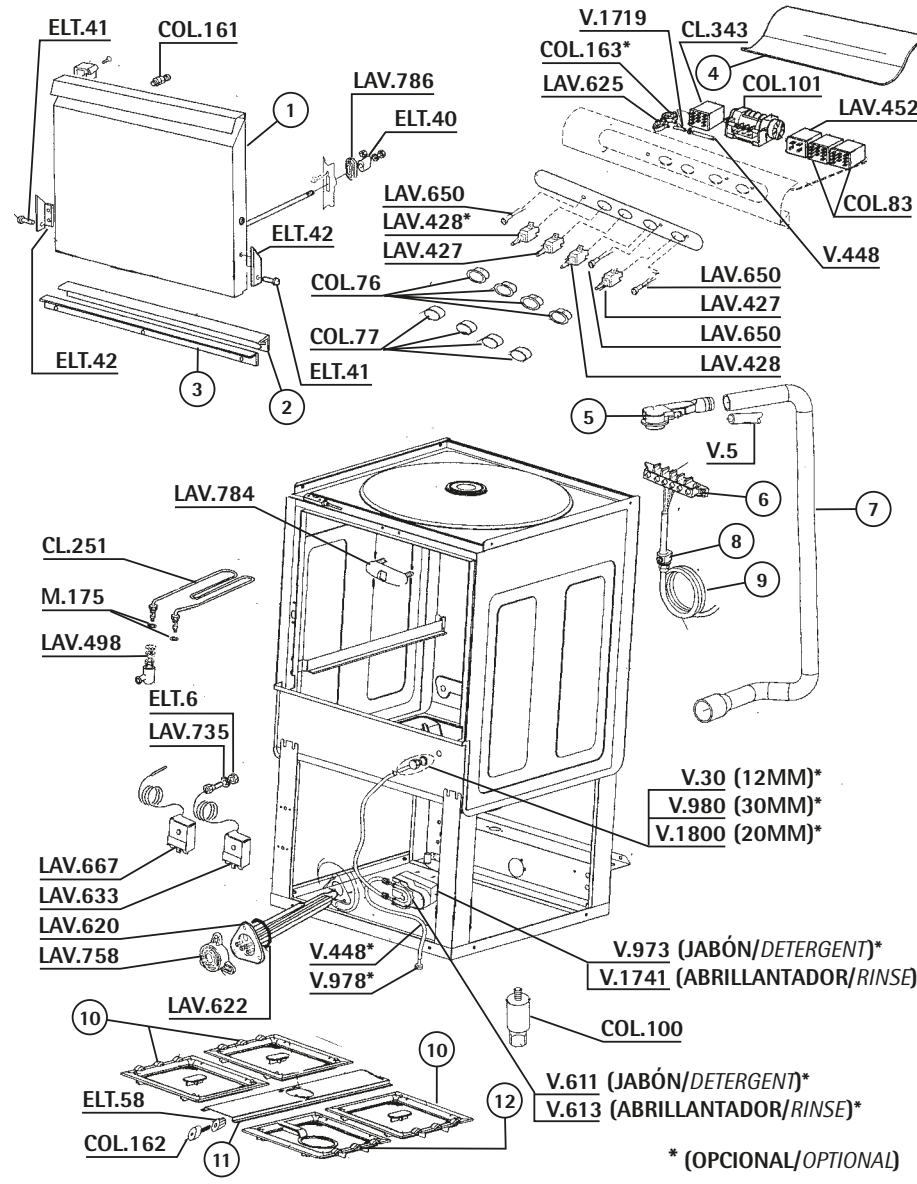
REF.	DESCRIPCIÓN	DESCRIPTION
COL.13	JUNTA ROCIADOR	SPRAY GASKET
COL.29	ROCIADOR	SPRAY
COL.65	SOPORTE	SUPPORT
COL.66	TORNILLO	SCREW
COL.68	UNION GIRATORIO	GIRATORY JUNCTION
COL.84	BRAZO GIRATORIO DERECHO	RIGHT GIRATORY ARM
COL.85	GIRATORIO ACLARADO	RINSE GIRATORY
COL.86	TAPON GIRATORIO	GIRATORY COVER
COL.87	JUNTA GIRATORIO	GIRATORY GASKET
COL.88	AXE	ROD
COL.89	ADAPTADOR	ADAPTOR
COL.90	GIRATORIO LAVADO	WASH GYRATORY
COL.154	JUNTA	GASKET
COL.155	TORNILLO GIRATORIO LAVADO	WASHING GIRATORY SCREW
COL.156	TUERCA GIRATORIO LAVADO	WASHING GIRATORY NUT
ELT.14	ROCIADOR ACLARADO	RINSE SPRAY
ELT.17	ROCIADOR ACLARADO D.3,5mm	D.3,5mm RINSE SPRAY
ELT.112	CRUZ LAVADO	WASH CROSSHEAD
LAV.239	RACOR CENTRAL INFERIOR	LOWER CENTRAL FITTING
LAV.522	BRAZO ACLARADO DCHA.	RIGHT RINSE ARM
LAV.523	BRAZO ACLARADO IZDA.	LEFT RINSE ARM
LAV.699	TUERCA PLASTICO DE LAVADO	WASHING NUT
LAV.700	TUERCA ACLARADO	RINSE NUT
LAV.701	TAPON ACLARADO	RINSING CAP
LAV.702	TAPON LAVADO GRANDE	GREAT WASHING CAP
LAV.735	MANDO FIJACION 40-400F	40-400F FIXATION HANDLE
LAV.736	TORNILLO	SCREW
LAV.737	EJE COLECTOR CENTRO	COLLECTOR ROD
LAV.781	RACOR CRUZ	FITTING
LAV.918	JUNTA COLECTOR INFERIOR GOMA	RUBBER GASKET
LAV.998	BRAZO LAVADO IZQUIERDA	LEFT WASHING ARM





REF.	DESCRIPCIÓN	DESCRIPTION
CL.287	TAPA MOTOR	MOTOR LID
CL.288	GIRANTE	GYRATORY
CL.290	RETEN	MECHANICAL SEAL
CL.345	COJINETE	BALL BEARING
ELT.146	BASE MOTOR T.173/T.175	T.173/T.175 MOTOR BASE
ELT.147	BOMBA E-51 230V	230V E-51 PUMP
ELT.148	TORICA TAPA BOMBA	PUMP LID RING
ELT.149	TAPA ASPA BOMBA	PUMP REEL LID
ELT.150	ASPA BOMBA	PUMP REEL
LAV.456	TURBINA 50-500F	50-500F TURBINE
LAV.457	TAPA BOMBA 50-500F	50-500F MOTOR LID
LAV.461	JUNTA TAPA BOMBA	PUMP COVER GASKET
LAV.516	MOTOR BOM.0.8HP M.50/500	0.8HP MOD.50/500 MOTOR
LAV.872	RETEN EJE MOTOR	MECHANICAL SEAL

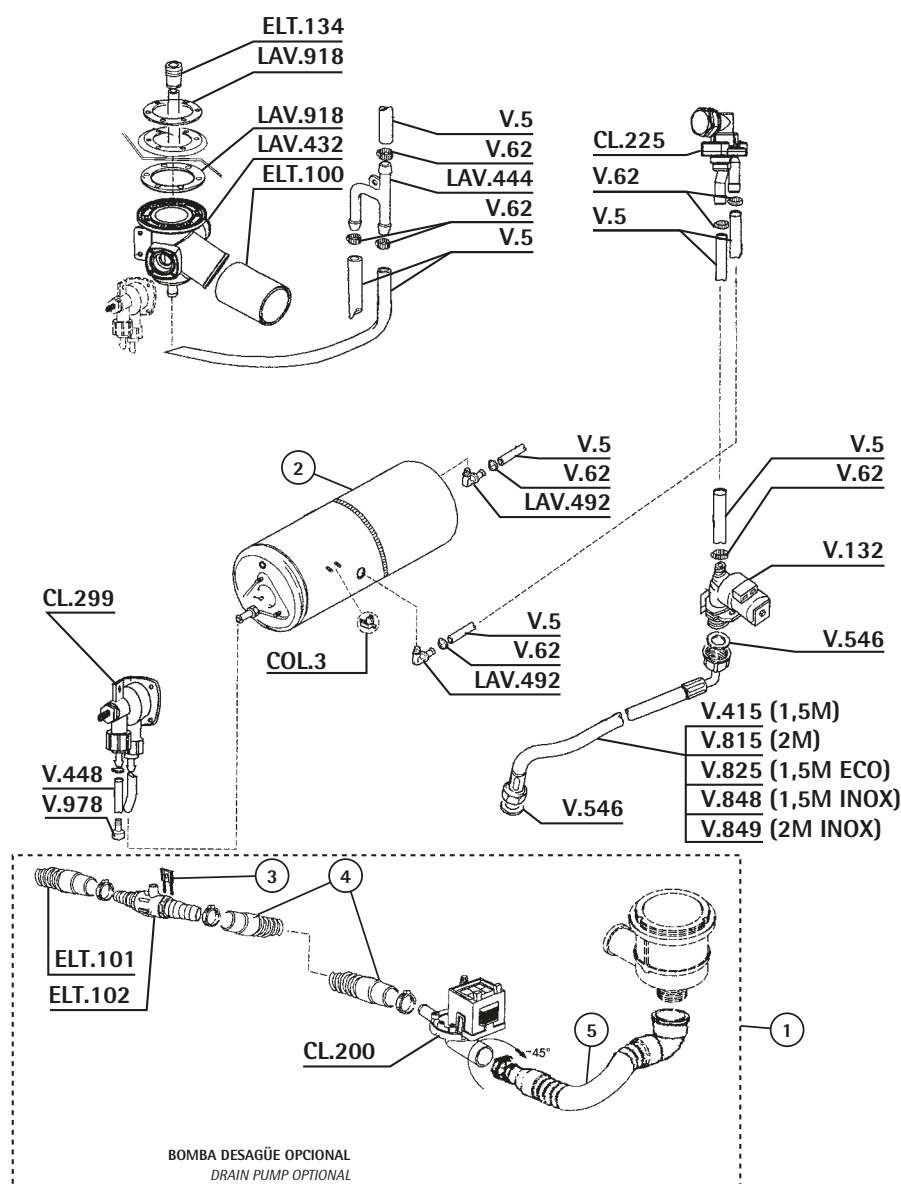
Puerta / Componentes eléctricos / Filtros STEEL 58 ■ STEEL 58 Filters / Electric components / Door



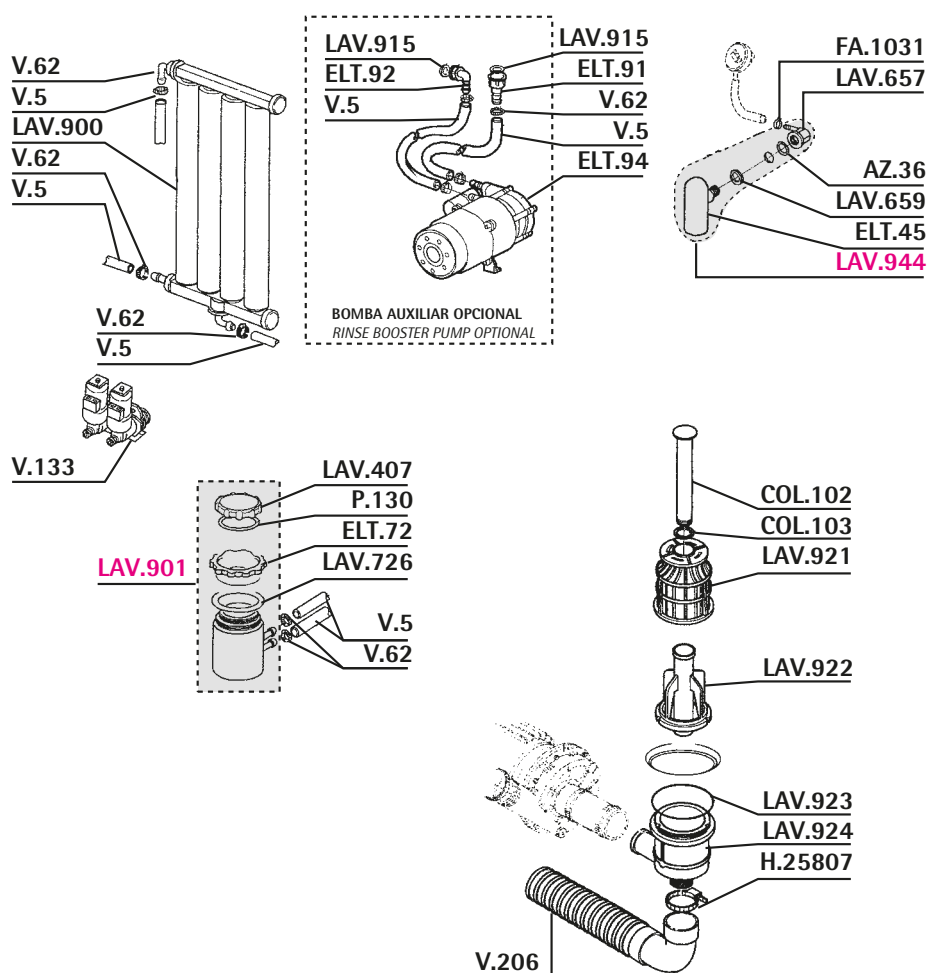
REF.	DESCRIPCIÓN	DESCRIPTION
CL.251	RESISTENCIA 3000W 230V	RESISTANCE 3000W 230V
CL.343	RELE FINDER 60.63 10A 250V	10A 250V FINDER 60.63 RELAY
COL.76	SOPORTE INTERRUPTOR	SWITCH SUPPORT
COL.77	BOTON INTERRUPTOR	SWITCH BUTTON
COL.83	RELE	RELAY
COL.100	PATA REGULABLE	FOOT
COL.101	PROGRAMADOR	TIMER
COL.161	PIVOTE CIERRE PUERTA	DOOR CLOSING CAP
COL.162	TORNILLO FILTRO	FILTER SCREW
COL.163	PRESOSTATO	PRESSURE SWITCH
ELT.6	TUERCA BULBO	BULB NUT
ELT.40	FIJADOR ENGANCHE PUERTA	DOOR FIXATION
ELT.41	PASADOR ESCUADRA PUERTA	DOOR BOLT
ELT.42	ESCUADRA PUERTA	DOOR SQUARE
ELT.58	ENGANCHE FILTRO	FILTER FIXATION
LAV.427	INTERRUPTOR	SWITCH
LAV.428	PULSADOR 2 CONTACTOS	2 CONTACTS PUSH-BUTTON
LAV.452	RELE 65.31 230/50HZ	65.31 230/50HZ RELAY
LAV.498	RACOR T	T FITTING
LAV.620	RESISTENCIA CALDER. 4500W 230V	BOILER RESISTANCE 4500W 230V
LAV.622	TORICA RESISTENCIA GOMA	RESISTANCE RUBBER RING
LAV.625	PRESOSTATO SAL.HOR.55/35	55/35 HOR.PRESSURE SWITCH
LAV.633	TERMOSTATO CUBA ROSCADO	SCREW TANK THERMOSTAT
LAV.650	PILOTO AMARILLO 6mm C/CAB	6mm.YELLOW W/WIRING LAMP
LAV.667	TERMOSTATO CALDERIN	BOILER THERMOSTAT
LAV.735	MANDO FIJACION 40-400F	40-400F FIXATION HANDLE
LAV.758	PROTECTOR RESISTENCIA	RESISTANCE PROTECTOR
LAV.784	CIERRE PUERTA	DOOR CLOSING
LAV.786	SOPORTE CIERRE PUERTA 22R	22R CLOSING DOOR SUPPORT
M.175	TORICA GOMA EPDM	RUBBER RING
V...5	TUBO GOMA 10X16 20 ATM	20ATM 10X17 RUBBER PIPE
V...30	RACOR ENTRADA JABON	INLET SOAP FITTING
V.448	TUBO PRESOSTATO-METRO 4X6	4X6 PRE.SWITCH INLET PIPE
V.611	TUBO INTERIOR DOS.PER. JABON	INLET PIPE
V.613	TUBO INTERIOR DOS.PER.ABRILLAN	RINS.AID INSIDE PIPE
V.973	DOSIFICADOR PERISTALTICO INTER	INTERNAL PERISTALTIC DOS.
V.978	FILTRO DOSIFICADOR	DOSIMETER FILTER
V.980	RACOR ENTRADA JABON LARGO	LONG INLET FITTING
V.1719	RACOR PRESOSTATO Y	Y PRESSURE SWITCH FITTING
V.1741	DOSIF.ABRILL.INTERNO 230V AC	230Vac INTERNAL RINSE DOSIMET
V.1800	RACOR ENTRADA JABON METALICO	METALIC DETER.INLET FITTING

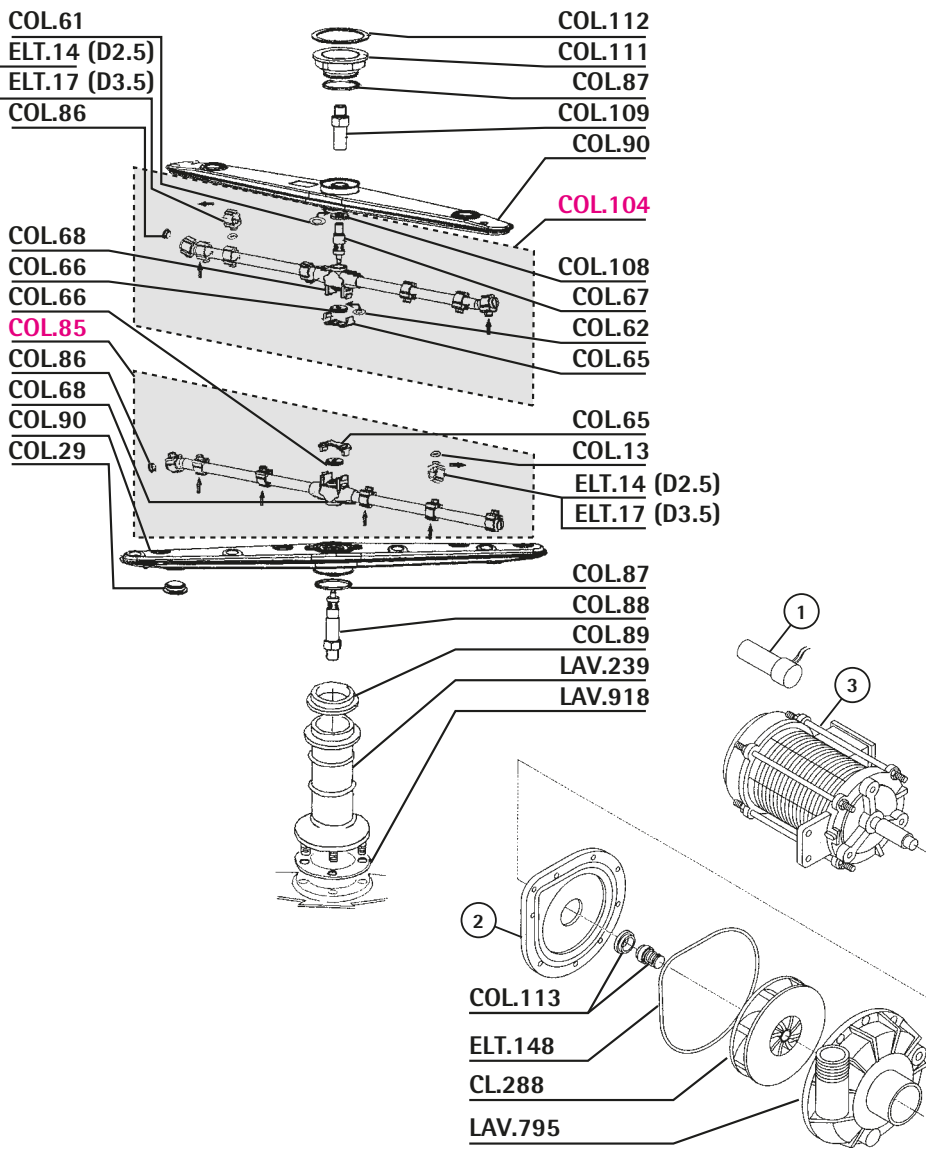
*(OPCIONAL/OPTIONAL)

REF.	DESCRIPCIÓN	DESCRIPTION
CL.200	BOMBA CENTRIFUGA	PUMP
CL.225	RACOR	FITTING
CL.299	DOSIFICADOR HIDRAULICO	HIDRAULIC DOSIMETER
COL.3	TERMOSTATO CALDERIN	BOILER THERMOSTATE
ELT.100	MANGUITO	SLEEVE
ELT.101	TUBO DESAGÜE	OUTLET PIPE
ELT.102	VALVULA DESAGÜE	OUTLET VALVE
ELT.134	INSERTO CONDUCTO	CONDUIT INSERT
LAV.432	COLECTOR MOD.ABRIL 2001	APRIL 2001 MODERN COLECT.
LAV.444	RACOR 3 VIAS	3 WAYS FITTING
LAV.492	CODO	ELBOW
LAV.918	JUNTA COLECTOR INFERIOR GOMA	RUBBER GASKET
V....5	TUBO GOMA 10X16 20 ATM	20ATM 10X17 RUBBER PIPE
V...62	ABRAZADERA 12-20	12-20 CLAMP
V..132	ELECTROVAL.1 VIA LAV.220V	WASH 1 WAY 220V SOLENOID
V..415	TOMA LAVADORA 1,5M	QUALITY 1.5M.INLET W.FLEX
V..448	TUBO PRESOSTATO-METRO 4X6	4X6 PRE.SWITCH INLET PIPE
V..546	JUNTA GOMA 3/4	WATER INLET RUBBER GASKET
V..815	TOMA LAVADORA 2 METROS	2 MT.INLET WATER FLEXIBLE
V..825	TOMA LAVADORA 1.5 "ECO"	"ECO"1.5M INLET WA.FLEXIB
V..848	TOMA LAVADORA 1.5M INOX	INOX 1.5M INLET WATER FL.
V..849	TOMA LAV.INOX 2MT.3/4X3/4	INOX 2MT.INLET WATER FLE.
V..978	FILTRO DOSIFICADOR	DOSIMETER FILTER



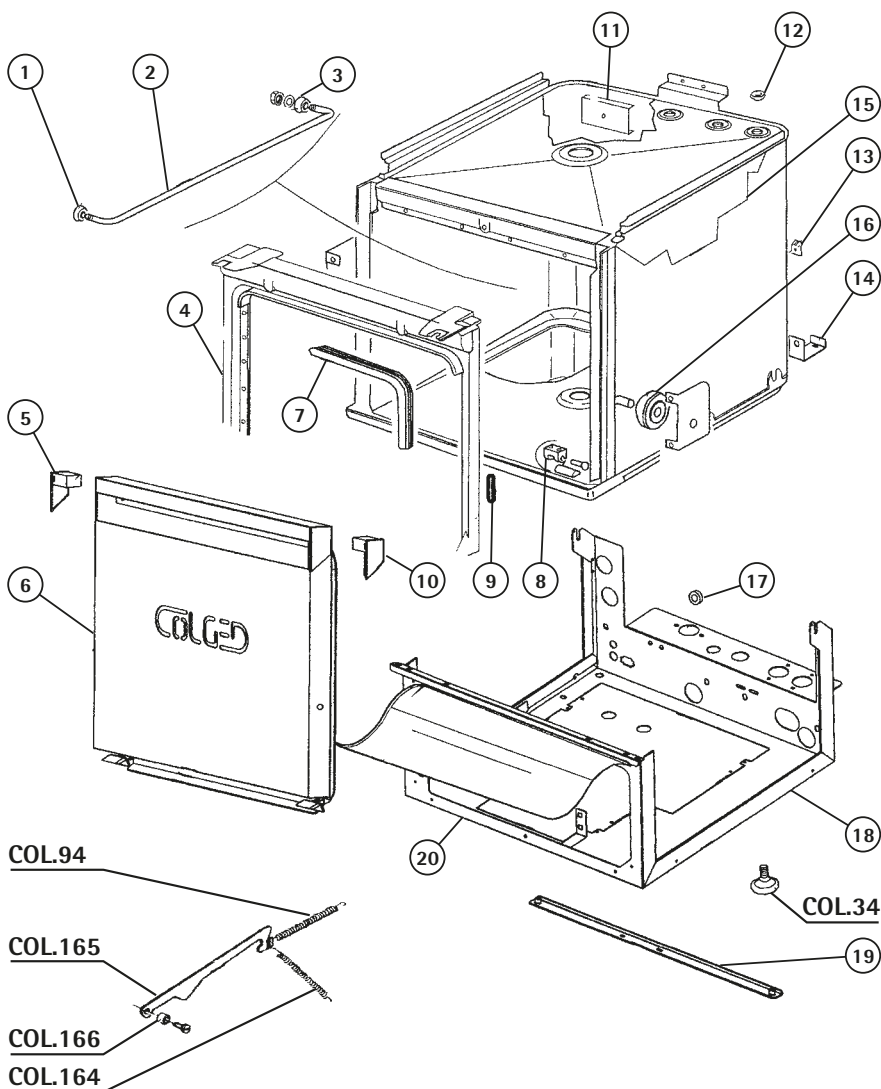
REF.	DESCRIPCIÓN	DESCRIPTION
AZ.36	TORICA GOMA EPDM	RING
COL.102	SOBRENIVEL	OVERFLOW
COL.103	JUNTA SOBRENIVEL	OVERFLOW GASKET
ELT.45	CAMARA PRESOSTATICA	PRESSURE SWITCH CHAMBER
ELT.72	RACOR DEPOSITO SAL	FITTING SALT CONTAINER
ELT.91	RACOR RECTO	STRAIGHT FITTING
ELT.92	RACOR CODO	ELBOW FITTING
ELT.94	BOMBA AUMENTO PRESION	PRESSURE PUMP
FA.1031	ABRAZADERA INOX 8-16	8-16 INOX CLAMP
H25807	ABRAZADERA 25-40	25-40 CLAMP
LAV.407	TAPON DEPOSITO SAL	SALT TANK CAP
LAV.657	RACOR CAMPANA	PRESSURE SWITCH FITTING
LAV.659	JUNTA GOMA	RUBBER GASKET
LAV.726	JUNTA GOMA BOTELLA SAL	BOTTLE SALT RUBBER GASKET
LAV.900	DEPURADOR LAVATAZAS	WASHING CUP PURIFIER
LAV.901	DEPOSITO SAL COMPLETO	SALT CONTAINER
LAV.915	JUNTA CALDERIN ALIMENTAR.	BOILER ALIMENTARY GASKET
LAV.921	FILTRO BOMBA	PUMP FILTER
LAV.922	GUIA DESAGÜE	DRAIN GUIDE
LAV.923	TORICA DESAGÜE	DRAIN RING
LAV.924	COLECTOR LAVADO	WASHING COLLECTOR
LAV.944	CAMARA PRESOSTATICA	PRES.SWITCH CHAMBER
P.130	TORICA EPDM	RING
V....5	TUBO GOMA 10X16 20 ATM	20ATM 10X17 RUBBER PIPE
V...62	ABRAZADERA 12-20	12-20 CLAMP
V..132	ELECTROVAL.2 VIA LAV.220V	WASH 2 WAYS 220V SOLENOID
V..206	TUBO DESAGÜE CON CODO	WITH ELBOW OUTLET PIPE





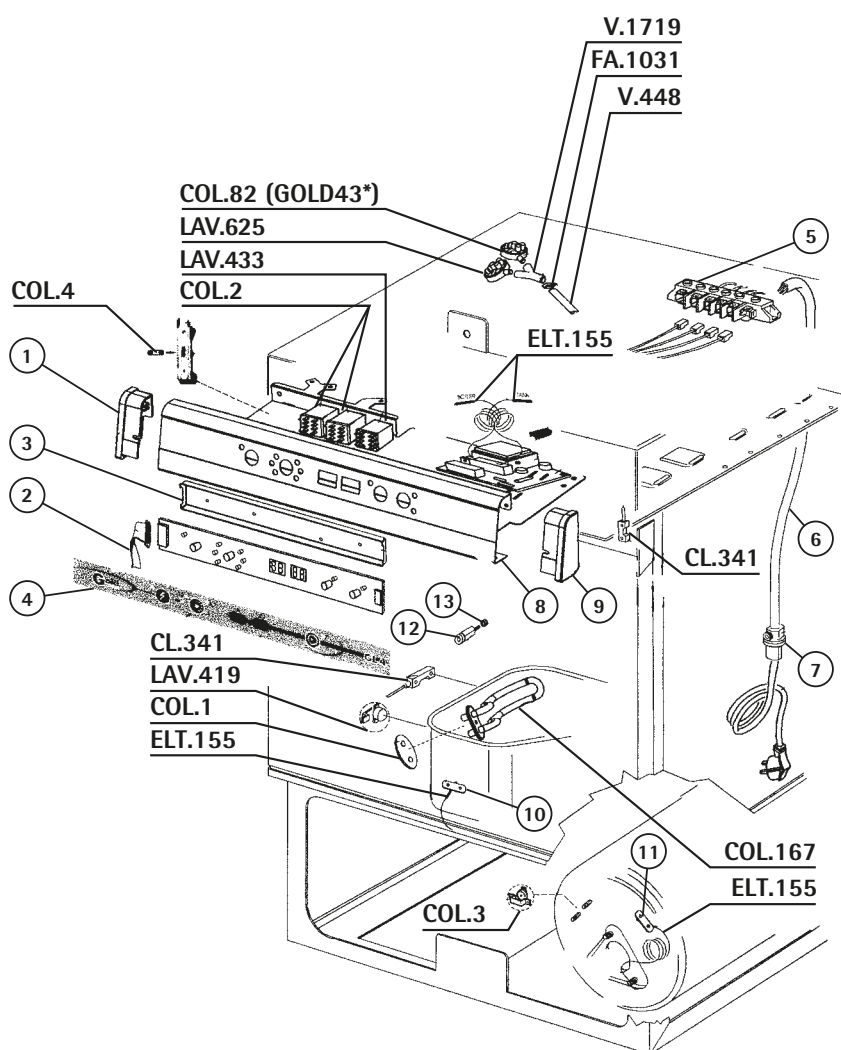
REF.	DESCRIPCIÓN	DESCRIPTION
CL.288	GIRANTE	GYRATORY
COL.13	JUNTA ROCIADOR	SPRAY GASKET
COL.29	ROCIADOR	SPRAY
COL.61	JUNTA	GASKET
COL.62	JUNTA	GASKET
COL.65	SOPORTE	SUPPORT
COL.65	SOPORTE	SUPPORT
COL.66	TORNILLO	SCREW
COL.67	EJE	ROD
COL.68	UNION GIRATORIO	GIRATORY JUNCTION
COL.85	GIRATORIO ACLARADO	RINSE GIRATORY
COL.86	TAPON GIRATORIO	GIRATORY COVER
COL.87	JUNTA GIRATORIO	GIRATORY GASKET
COL.88	AXE	ROD
COL.89	ADAPTADOR	ADAPTOR
COL.90	GIRATORIO LAVADO	WASH GYRATORY
COL.104	GIRATORIO ACLARADO	RINSE GIRATORY
COL.108	ARANDELA	WASHER
COL.109	EJE	ROD
COL.111	TUERCA	NUT
COL.112	JUNTA	GASKET
COL.113	RETEN MOTOR	MOTOR MECHANICAL SEAL
ELT.14	ROCIADOR ACLARADO	RINSE SPRAY
ELT.17	ROCIADOR ACLARADO D.3,5mm	D.3,5mm RINSE SPRAY
ELT.148	TORICA TAPA BOMBA	PUMP LID RING
LAV.239	RACOR CENTRAL INFERIOR	LOWER CENTRAL FITTING
LAV.795	CUERPO BOMBA	PUMP BODY
LAV.918	JUNTA COLECTOR INFERIOR GOMA	RUBBER GASKET

Puerta / Carrocería GL 42 / GOLD 43 ■ GL 42 / GOLD 43 Bodywork / Door

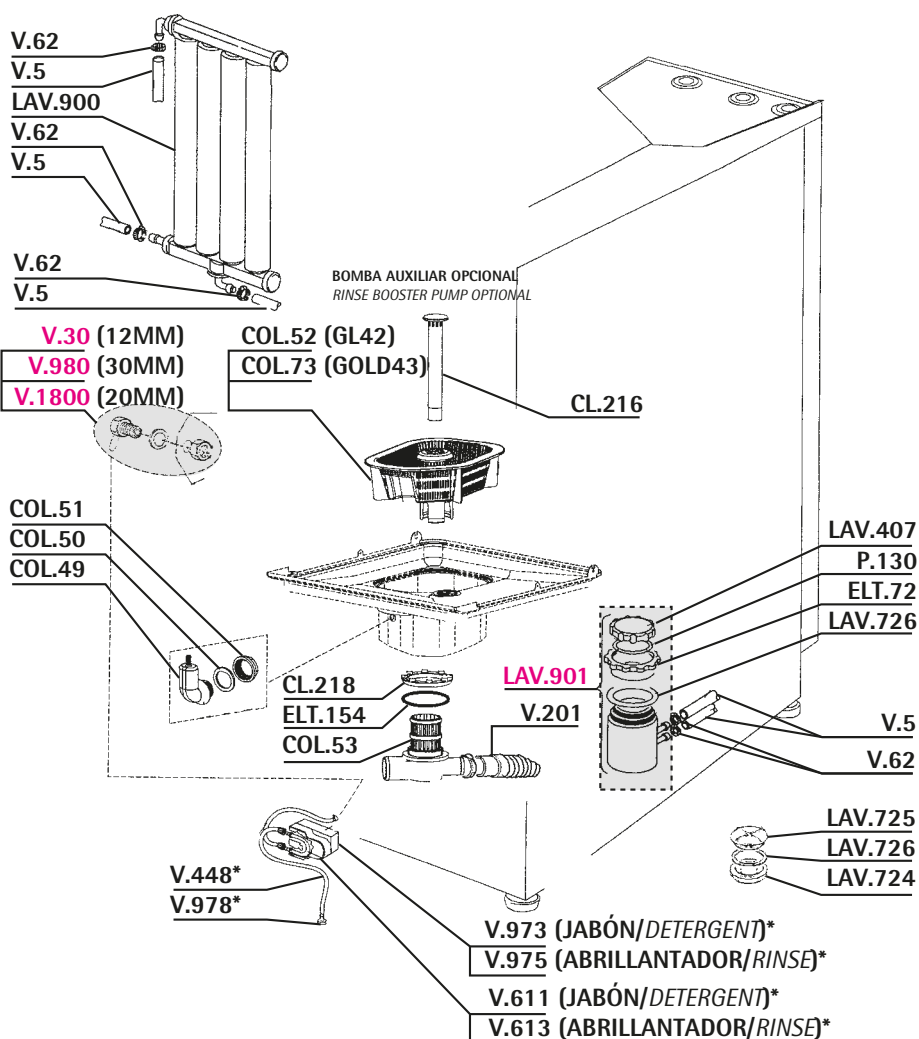


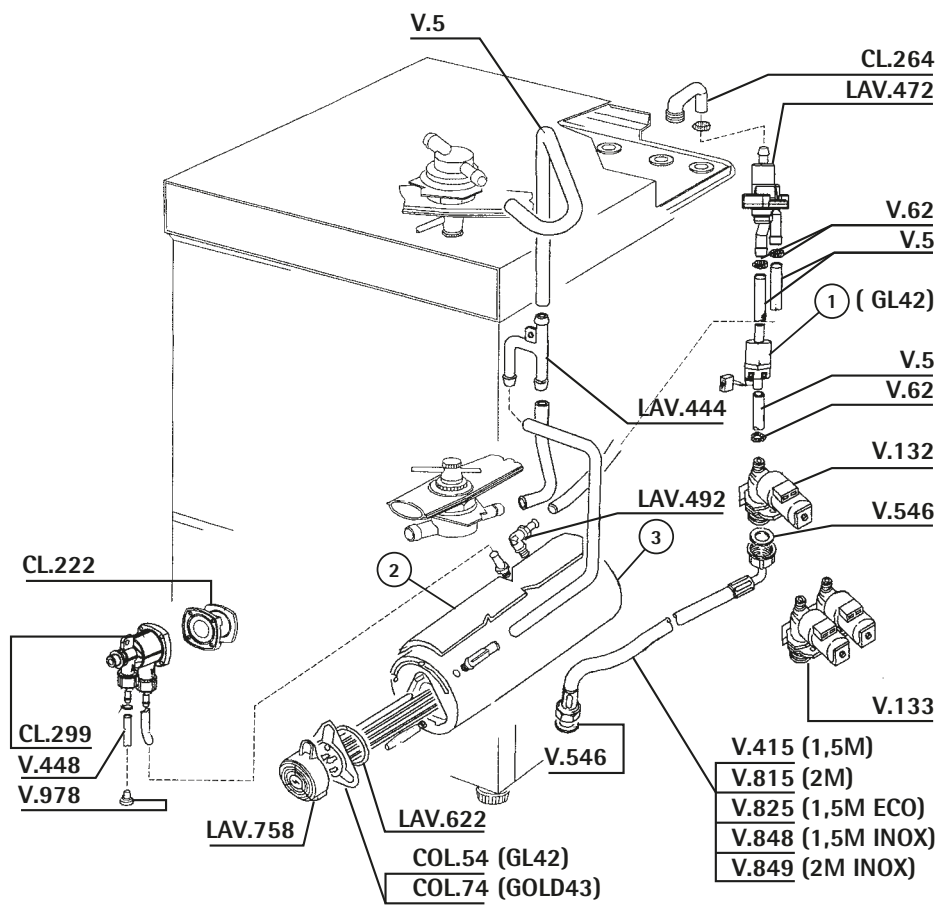
REF.	DESCRIPCIÓN	DESCRIPTION
COL.34	PATA	FOOT
COL.94	MUELLE	SPRING
COL.164	MUELLE	SPRING
COL.165	GUIA PUERTA	DOOR GUIDE
COL.166	CASQUILLO	CAP

REF.	DESCRIPCIÓN	DESCRIPTION
CL.341	IMAN	MAGNET
COL..1	PLETINA RESISTENCIA	RESISTANCE PLATE
COL..2	RELE	RELAY
COL..3	TERMOSTATO CALDERIN	BOILER THERMOSTATE
COL..4	FUSIBLE 5x20 4A	FUSE 5x20 4A
COL.82	PRESOSTATO (95-70)	PRESSURE SWITCH (95-70)
COL.167	RESISTENCIA 600W 230V	RESISTANCE 600W 230V
ELT155	SONDA TEMPERATURA RIVER 80	RIVER 80 TEMPERATURE PROBE
FA1031	ABRAZADERA INOX 8-16	8-16 INOX CLAMP
LAV419	TERMOSTATO CUBA 95°	95° TANK THERMOSTAT
LAV433	RELE 60.62 240/50HZ	240/50HZ 60.62 RELAY
LAV625	PRESOSTATO SAL.HOR.55/35	55/35 HOR.PRESSURE SWITCH
V..448	TUBO PRESOSTATO-METRO 4X6	4X6 PRE.SWITCH INLET PIPE
V.1719	RACOR PRESOSTATO Y	Y PRESSURE SWITCH FITTING



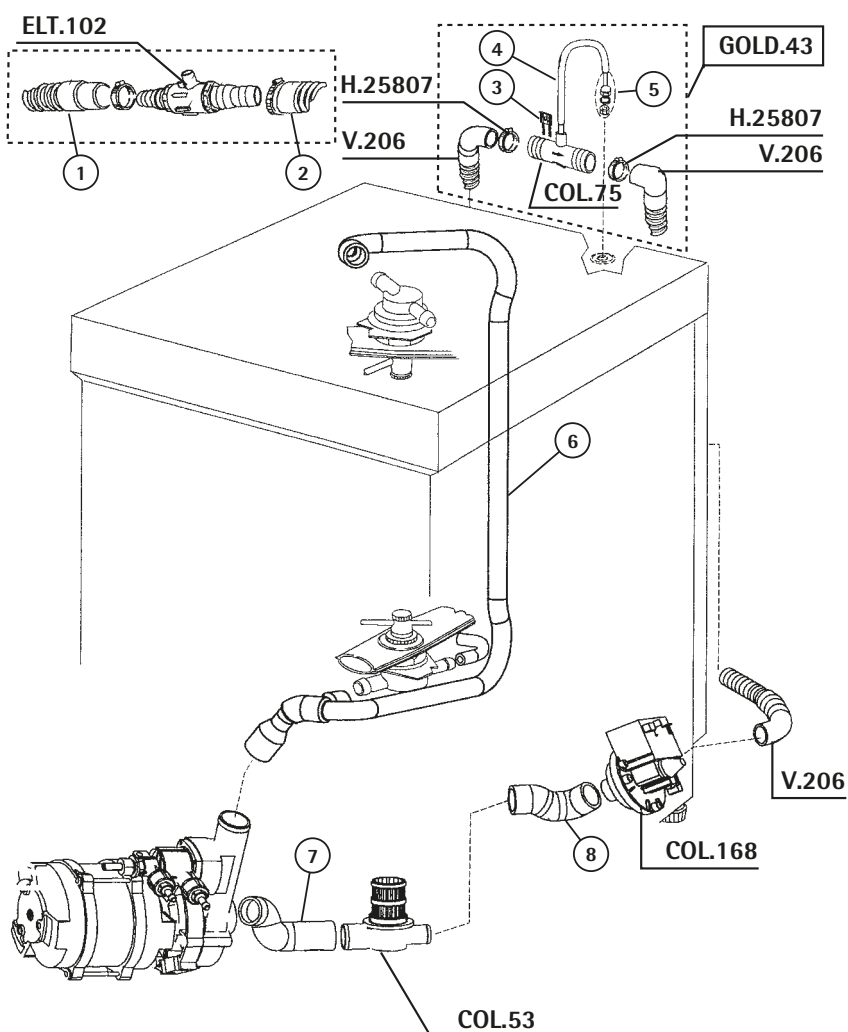
REF.	DESCRIPCIÓN	DESCRIPTION
CL.216	SOBRENIVEL	OVERFLOW
CL.218	BASE FILTRO	FILTER BASE
COL.49	CODO	ELBOW
COL.50	JUNTA	GASKET
COL.51	TUERCA	NUT
COL.52	FILTRO	FILTER
COL.53	CODO DESG.E	DRAIN ELBOW
COL.73	FILTRO	FILTER
ELT.72	RACOR DEPOSITO SAL	FITTING SALT CONTAINER
ELT.154	JUNTA GOMA	RUBER GASKET
LAV407	TAPON DEPOSITO SAL	SALT TANK CAP
LAV724	TUERCA DEPOSITO SAL	SALT CONTAINER NUT
LAV725	TAPON BOTELLA SAL	SALT BOTTLE CAP
LAV726	JUNTA GOMA BOTELLA SAL	BOTTLE SALT RUBBER GASKET
LAV900	DEPURADOR LAVATAZAS	WASHING CUP PURIFIER
LAV901	DEPOSITO SAL COMPLETO	SALT CONTAINER
P..130	TORICA EPDM	RING
V...5	TUBO GOMA 10X16 20 ATM	20ATM 10X17 RUBBER PIPE
V...30	RACOR ENTRADA JABON	INLET SOAP FITTING
V...62	ABRAZADERA 12-20	12-20 CLAMP
V..201	TUBO DESAGÜE 28mm. 1,5mt.	28mm. 1.5mt OUTLET PIPE
V..448	TUBO PRESOSTATO-METRO 4X6	4X6 PRE.SWITCH INLET PIPE
V..611	TUBO INTERIOR DOS.PER. JABON	RINS.AID INSIDE PIPE
V..613	TUBO INTERIOR DOS.PER.ABRILLAN	RINS.AID INSIDE PIPE
V..978	FILTRO DOSIFICADOR	DOSIMETER FILTER
V..973	DOSIFICADOR JABON	SOAP DOSIMETER
V..975	DOSIFICADOR ABRILLANTADOR	RINSE AID DOSIMETER
V..980	RACOR ENTRADA JABON LARGO	LONG INLET FITTING
V.1800	RACOR ENTRADA JABON METALICO	METALIC DETER.INLET FITTING





REF.	DESCRIPCIÓN	DESCRIPTION
CL.222	TORICA	RING
CL.264	CODO	ELBOW
CL.299	DOSIFICADOR HIDRAULICO	HIDRAULIC DOSIMETER
COL.54	RESISTENCIA 2600W 230V	RESIS 2600W 230V
COL.74	RESISTENCIA 2950W 230V	RESIS 2950W 230V
LAV.444	RACOR 3 VIAS	3 WAYS FITTING
LAV.472	UNION TUBO	PIPE JUNCTION
LAV.492	CODO	ELBOW
LAV.622	TORICA RESISTENCIA GOMA	RESISTANCE RUBBER RING
LAV.758	PROTECTOR RESISTENCIA	RESISTANCE PROTECTOR
V....5	TUBO GOMA 10X16 20 ATM	20ATM 10X17 RUBBER PIPE
V..62	ABRAZADERA 12-20	12-20 CLAMP
V..132	ELECTROVAL.1 VIA LAV.220V	WASH 1 WAY 220V SOLENOID
V..133	ELECTROVAL.2 VIA LAV.220V	WASH 2 WAYS 220V SOLENOID
V.415	TOMA LAVADORA 1,5M	QUALITY 1.5M.INLET W.FLEX
V.448	TUBO PRESOSTATO-METRO 4X6	4X6 PRE.SWITCH INLET PIPE
V.546	JUNTA GOMA 3/4	WATER INLET RUBBER GASKET
V.815	TOMA LAVADORA 2 METROS	2 MT.INLET WATER FLEXIBLE
V.825	TOMA LAVADORA 1.5 "ECO"	"ECO"1.5M INLET WA.FLEXIB
V.848	TOMA LAVADORA 1.5M INOX	INOX 1.5M INLET WATER FL.
V.849	TOMA LAV.INOX 2MT.3/4X3/4	INOX 2MT.INLET WATER FLE.
V.978	FILTRO DOSIFICADOR	DOSIMETER FILTER

Bomba desagüe GL 42 / GOLD 43 ■ GL 42 / GOLD 43 Drain pump



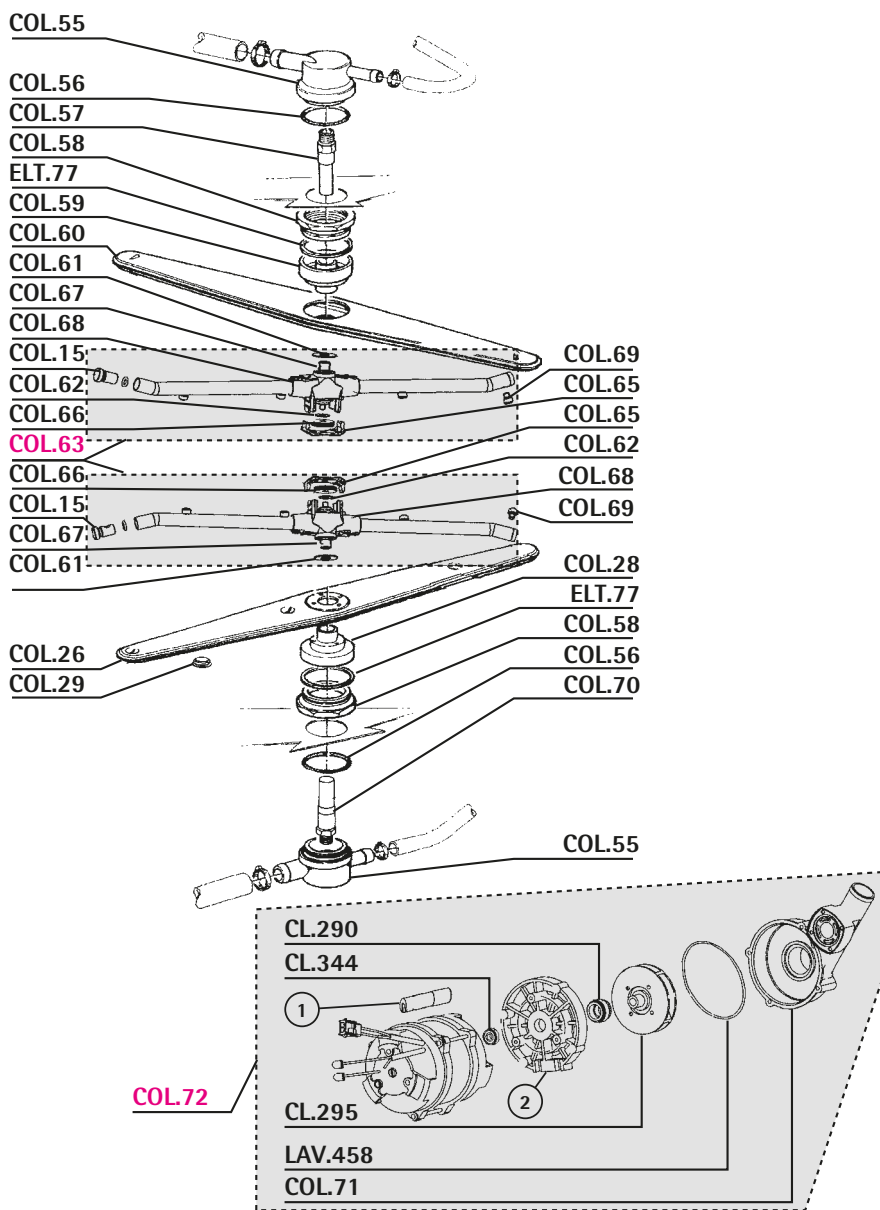
REF.	DESCRIPCIÓN	DESCRIPTION
COL.53	CODO DESG:É	DRAIN ELBOW
COL.75	T EMPALME	T ASSEMBLY
COL.168	BOMBA DESAGÜE	DRAIN PUMP
ELT.102	VALVULA DESAGÜE	OUTLET VALVE
H25807	ABRAZADERA 25-40	25-40 CLAMP
V.206	TUBO DESAGÜE CON CODO	WITH ELBOW OUTLET PIPE

In case of doubt, please CONTACT US

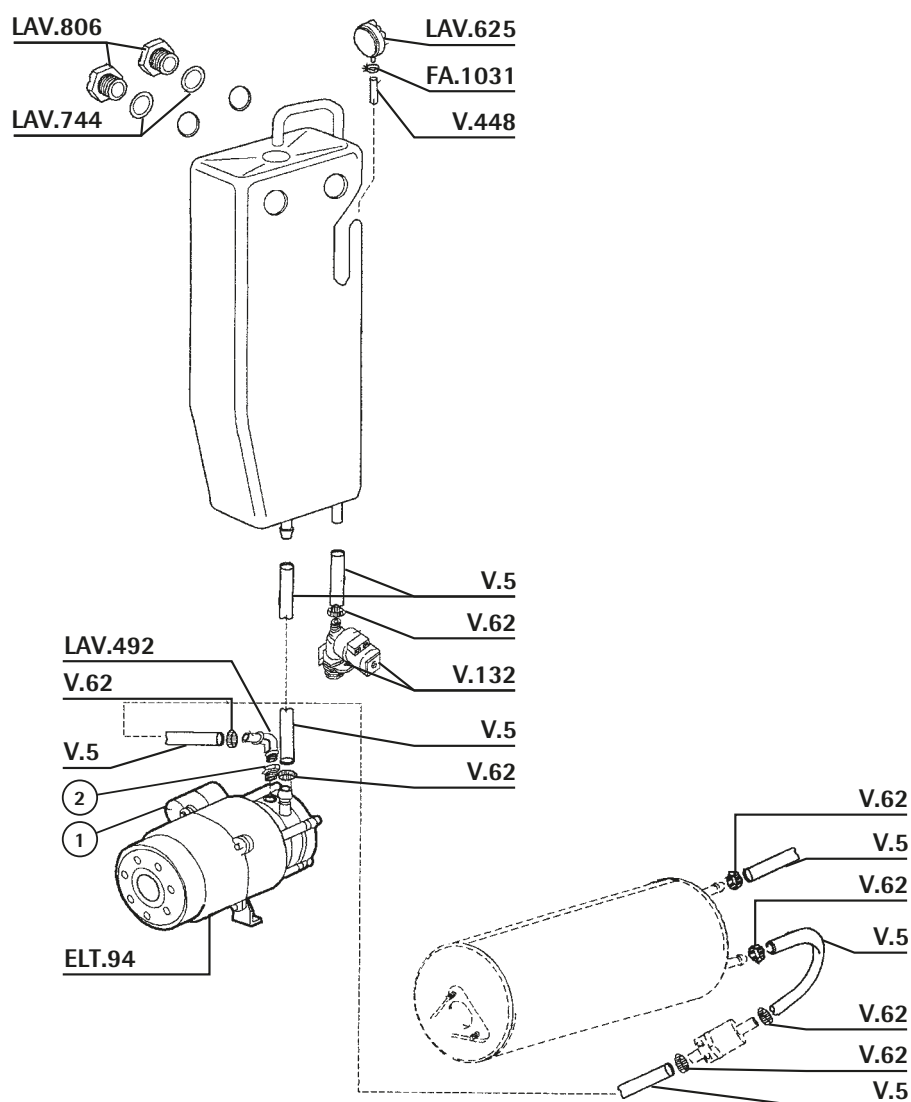


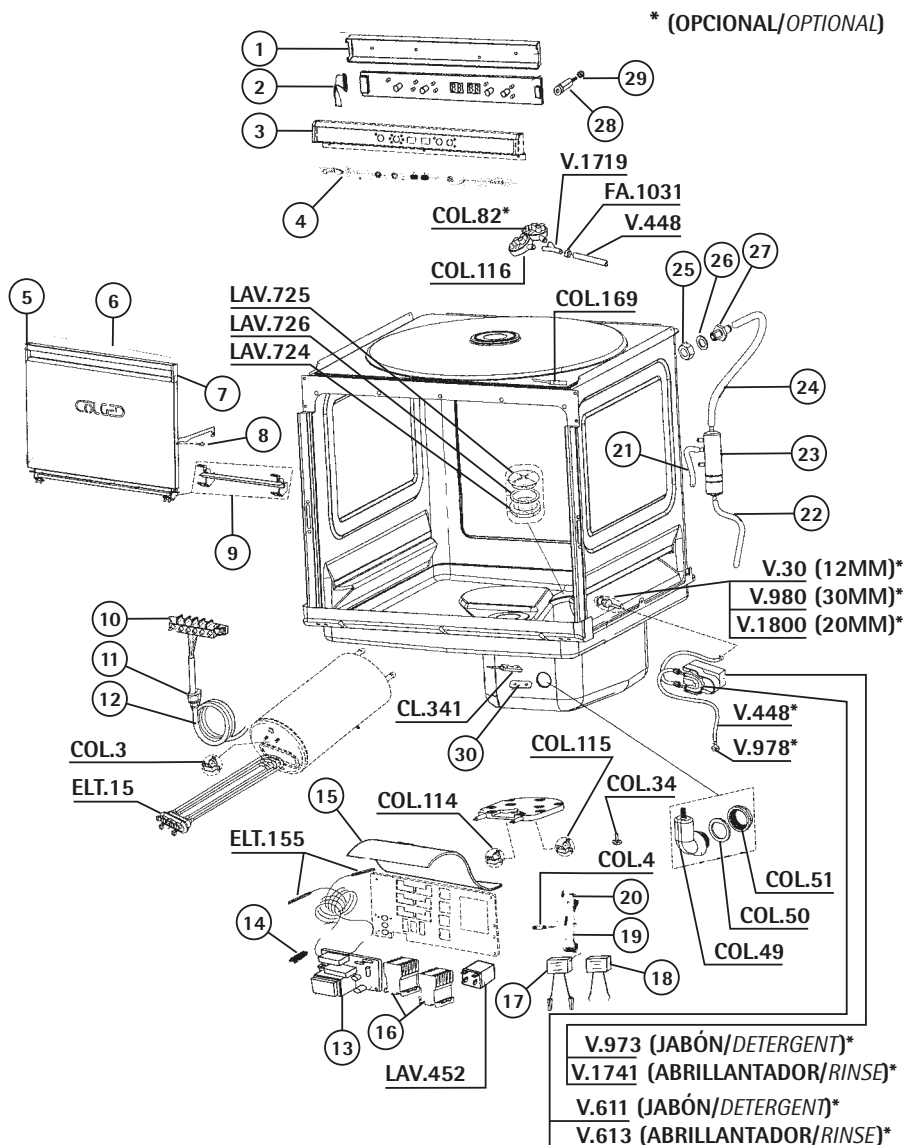
Tel: 93 377 64 11
Fax: 93 377 98 03
ascaso@ascaso.com

REF.	DESCRIPCIÓN	DESCRIPTION
CL.290	RETEN	MECHANICAL SEAL
CL.295	GIRANTE C400	C400 GYRATORY
CL.344	COJINETE C350/400	C350/400 BALL BEARING
COL.15	TAPON GIRATORIO	GIRATORY COVER
COL.26	GIRATORIO LAVADO	WASHING GIRATORY
COL.28	ADAPTADOR GIRATORIO	GIRATORY ADAPTOR
COL.29	ROCIADOR	SPRAY
COL.55	COLECTOR SUPERIOR	UPPER COLLECTOR
COL.56	JUNTA COLECTOR SUPERIOR	UPPER COLECTOR GASKET
COL.57	EJE GIRATORIO SUPERIOR	UPPER GIRATORY ROD
COL.58	TUERCA	NUT
COL.59	ADAPTADOR GIRATORIO LAVADO	WASHING GIRATORY ADAPTOR
COL.60	GIRATORIO LAVADO	WASHING GIRATORY
COL.61	JUNTA	GASKET
COL.62	JUNTA	GASKET
COL.63	GIRATORIO ACLARADO	RINSE GIRATORY
COL.65	SOPORTE	SUPPORT
COL.66	TORNILLO	SCREW
COL.67	EJE	ROD
COL.68	UNION GIRATORIO	GIRATORY JUNCTION
COL.69	ROCIADOR	SPRAY
COL.70	EJE GIRATORIO INFERIOR	LOWER GIRATORY ROD
COL.71	TAPA MOTOR	MOTOR LID
COL.72	MOTOR	MOTOR
ELT.77	JUNTA TEFLON	GASKET
LAV458	TORICA BOMBA	PUMP RING



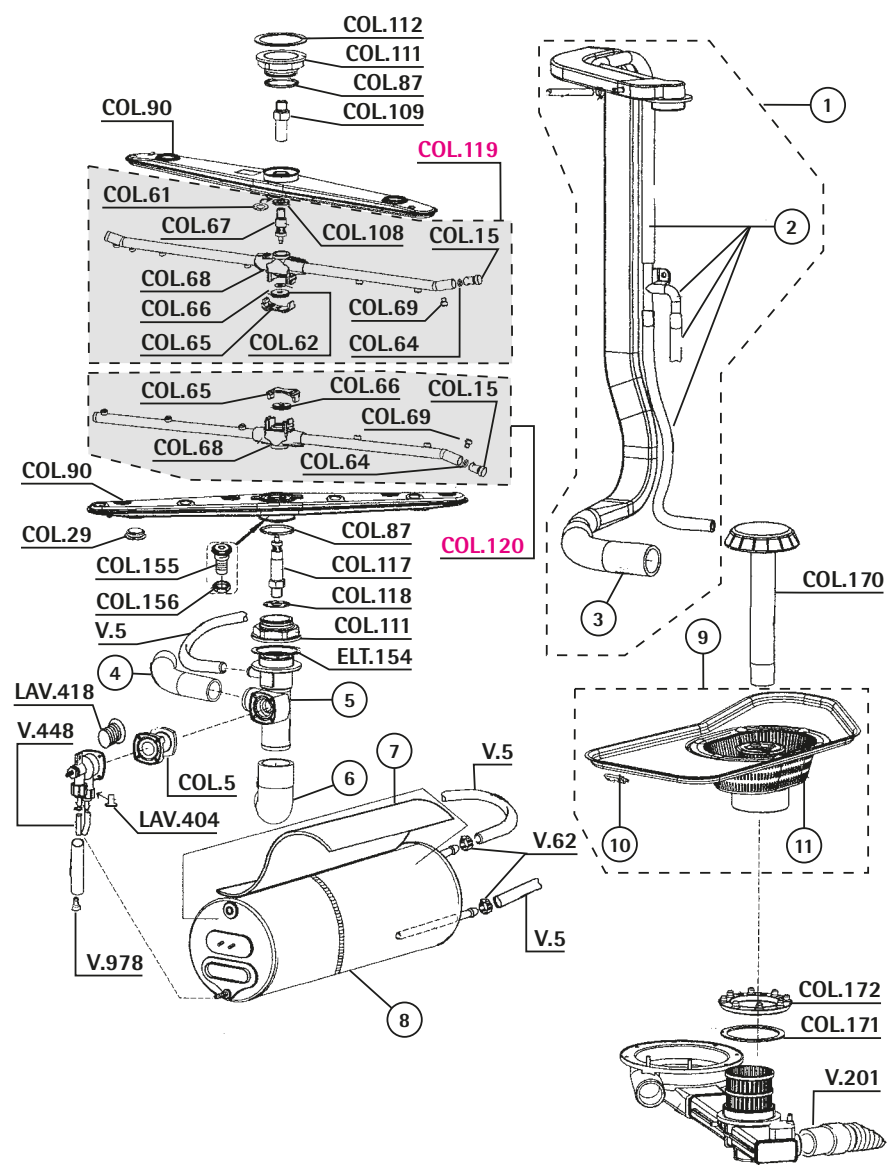
REF.	DESCRIPCIÓN	DESCRIPTION
ELT.94	BOMBA AUMENTO PRESION	PRESSURE PUMP
FA1031	ABRAZADERA INOX 8-16	8-16 INOX CLAMP
LAV492	CODO	ELBOW
LAV625	PRESOSTATO SAL.HOR.55/35	55/35 HOR.PRESSURE SWITCH
LAV744	JUNTA SOPORTE ALIMENTARIA	SUPPORT KLINGERIT GASKET
LAV806	SOPORTE DESAGÜE	INLET SUPPORT
V...5	TUBO GOMA 10X16 20 ATM	20ATM 10X17 RUBBER PIPE
V...62	ABRAZADERA 12-20	12-20 CLAMP
V..132	ELECTROVAL.1 VIA LAV.220V	WASH 1 WAY 220V SOLENOID
V..448	TUBO PRESOSTATO-METRO 4X6	4X6 PRE.SWITCH INLET PIPE





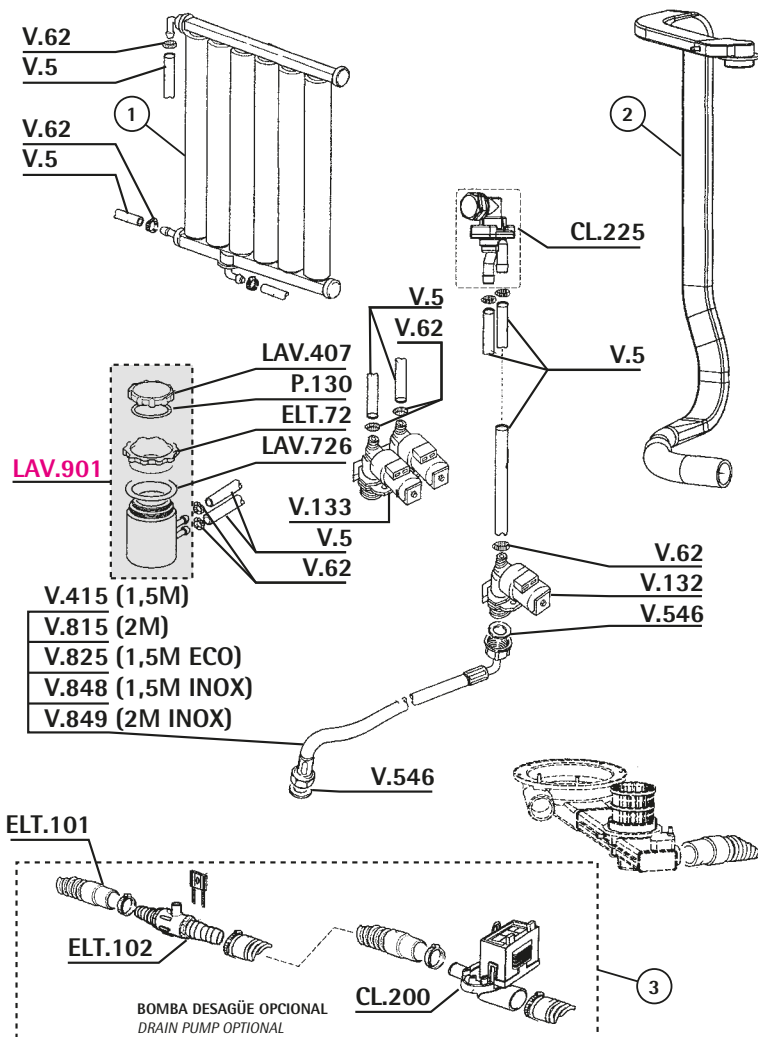
REF.	DESCRIPCIÓN	DESCRIPTION
CL.341	IMAN	MAGNET
COL..3	TERMOSTATO CALDERIN	BOILER THERMOSTATE
COL..4	FUSIBLE 5x20 4A	FUSE 5x20 4A
COL.34	PATA	FOOT
COL.49	CODO	ELBOW
COL.50	JUNTA	GASKET
COL.51	TUERCA	NUT
COL.82	PRESOSTATO (95-70)	PRESSURE SWITCH (95-70)
COL.114	TERMOSTATO	THERMOSTAT
COL.115	TERMOSTATO	THERMOSTAT
COL.116	PRESOSTATO	PRESSURE SWITCH
COL.169	SENSOR	SENSOR
ELT.15	RESIST.CALDERIN 7600W 400V	7600W 400V BOILER RESISTANCE
ELT155	SONDA TEMPERATURA RIVER 80	RIVER 80 TEMPERATURE PROBE
FA.1031	ABRAZADERA INOX 8-16	8-16 INOX CLAMP
LAV452	RELE 65.31 230/50HZ	65.31 230/50HZ RELAY
LAV724	TUERCA DEPOSITO SAL	SALT CONTAINER NUT
LAV725	TAPON BOTELLA SAL	SALT BOTTLE CAP
LAV726	JUNTA GOMA BOTELLA SAL	BOTTLE SALT RUBBER GASKET
V...30	RACOR ENTRADA JABON	INLET SOAP FITTING
V.448	TUBO PRESOSTATO-METRO 4X6	4X6 PRE. SWITCH INLET PIPE
V.611	TUBO INTERIOR DOS.PER. JABON	INLET PIPE
V.613	TUBO INTERIOR DOS.PER.ABRILLAN	RINS.AID INSIDE PIPE
V.973	DOSIFICADOR PERISTALTICO INTER	INTERNAL PERISTALTIC DOS.
V.978	FILTRO DOSIFICADOR	DOSIMETER FILTER
V.980	RACOR ENTRADA JABON LARGO	LONG INLET FITTING
V.1719	RACOR PRESOSTATO Y	Y PRESSURE SWITCH FITTING
V.1741	DOSIF.ABRILL.INTERNO 230V AC	230Vac INTERNAL RINSE DOSIMET
V.1800	RACOR ENTRADA JABON METALICO	METALIC DETER.INLET FITTING

Lavado / Aclarado GOLD 56 ■ GOLD 56 Rinse / Wash

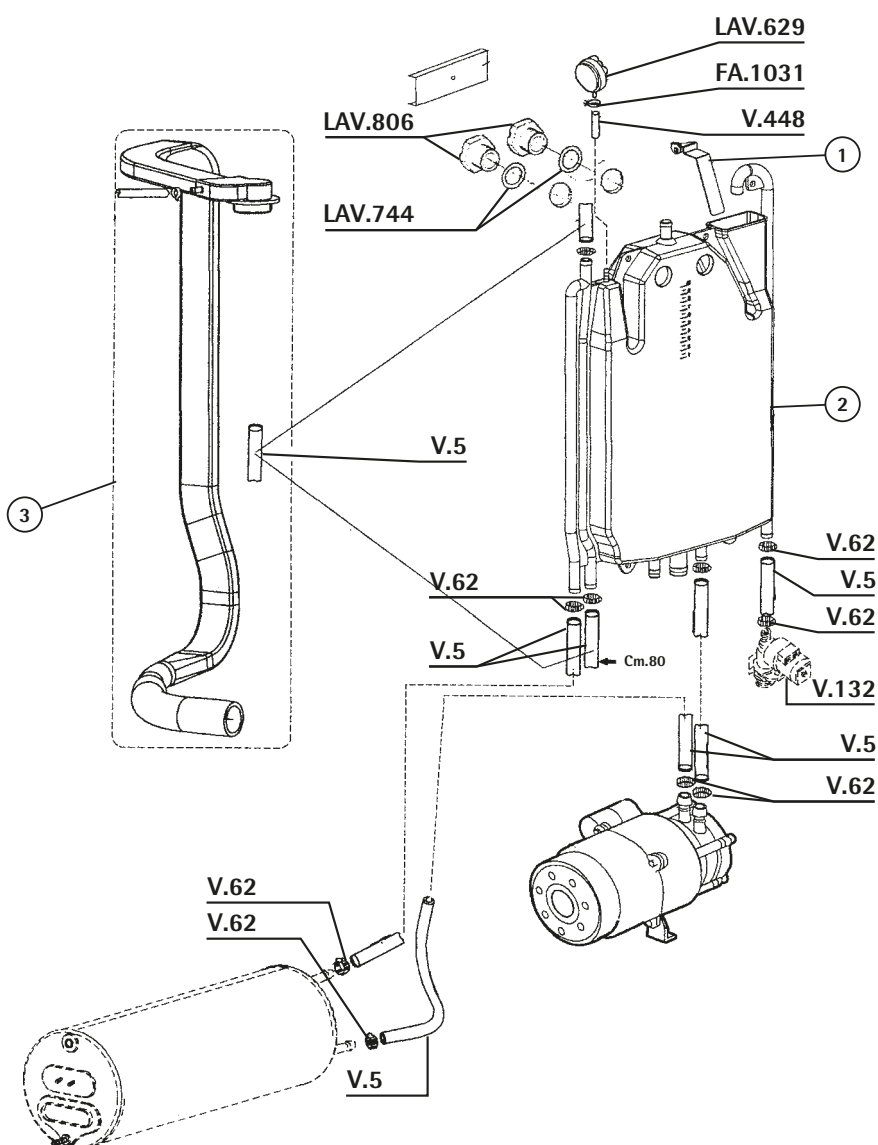


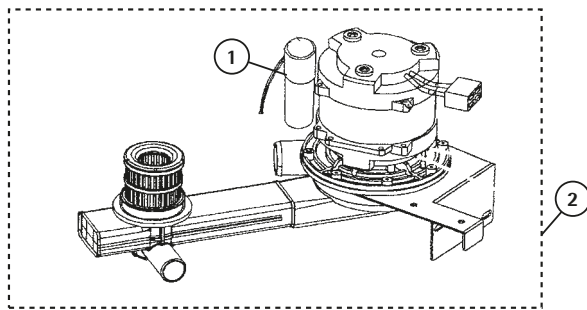
REF.	DESCRIPCIÓN	DESCRIPTION
COL..5	JUNTA	GASKET
COL.15	TAPON GIRATORIO	GIRATORY COVER
COL.29	ROCIADOR	SPRAY
COL.61	JUNTA	GASKET
COL.62	JUNTA	GASKET
COL.64	JUNTA	GASKET
COL.65	SOPORTE	SUPPORT
COL.66	TORNILLO	SCREW
COL.67	EJE	ROD
COL.68	UNION GIRATORIO	GIRATORY JUNCTION
COL.69	ROCIADOR	SPRAY
COL.87	JUNTA GIRATORIO	GIRATORY GASKET
COL.90	GIRATORIO LAVADO	WASH GYRATORY
COL.108	ARANDELA	WASHER
COL.109	EJE	ROD
COL.111	TUERCA	NUT
COL.112	JUNTA	GASKET
COL.117	EJE	ROD
COL.118	JUNTA	GASKET
COL.119	GIRATORIO ACLARADO SUPERIOR	UPPER RINSE GIRATORY
COL.120	GIRATORIO ACLARADO UNFERIOR	LOWER RINSE GIRATORY
COL.155	TORNILLO GIRATORIO LAVADO	WASHING GIRATORY SCREW
COL.156	TUERCA GIRATORIO LAVADO	WASHING GIRATORY NUT
COL.170	REBOSADERO	OVERFLOW
COL.171	JUNTA	GASKET
COL.172	TUERCA	NUT
ELT154	JUNTA GOMA	RUBER GASKET
LAV418	MEMBRANA DOSIFICADOR	DOSIMETER MEMBRANE
LAV404	VALVULA ASPIRACION	ASPIRATION VALVE
V....5	TUBO GOMA 10X16 20 ATM	20ATM 10X17 RUBBER PIPE
V...62	ABRAZADERA 12-20	12-20 CLAMP
V..201	TUBO DESAGÜE 28mm. 1,5mt.	28mm. 1.5mt OUTLET PIPE
V.448	TUBO PRESOSTATO-METRO 4X6	4X6 PRE. SWITCH INLET PIPE
V.978	FILTRO DOSIFICADOR	DOSIMETER FILTER

REF.	DESCRIPCIÓN	DESCRIPTION
CL.200	BOMBA CENTRIFUGA	PUMP
CL.225	RACOR	FITTING
ELT.72	RACOR DEPOSITO SAL	FITTING SALT CONTAINER
ELT.101	TUBO DESAGÜE	OUTLET PIPE
ELT.102	VALVULA DESAGÜE	OUTLET VALVE
LAV.407	TAPON DEPOSITO SAL	SALT TANK CAP
LAV.726	JUNTA GOMA BOTELLA SAL	BOTTLE SALT RUBBER GASKET
LAV.901	DEPOSITO SAL COMPLETO	SALT CONTAINER
P.130	TORICA EPDM	RING
V....5	TUBO GOMA 10X16 20 ATM	20ATM 10X17 RUBBER PIPE
V...62	ABRAZADERA 12-20	12-20 CLAMP
V..132	ELECTROVAL.1 VIA LAV.220V	WASH 1 WAY 220V SOLENOID
V..133	ELECTROVAL.2 VIA LAV.220V	WASH 2 WAYS 220V SOLENOID
V..415	TOMA LAVADORA 1,5M	QUALITY 1.5M.INLET W.FLEX
V..546	JUNTA GOMA 3/4	WATER INLET RUBBER GASKET
V..815	TOMA LAVADORA 2 METROS	2 MT.INLET WATER FLEXIBLE
V..825	TOMA LAVADORA 1.5 "ECO"	"ECO"1.5M INLET WA.FLEXIB
V..848	TOMA LAVADORA 1.5M INOX	INOX 1.5M INLET WATER FL.
V..849	TOMA LAV.INOX 2MT.3/4X3/4	INOX 2MT.INLET WATER FLE.

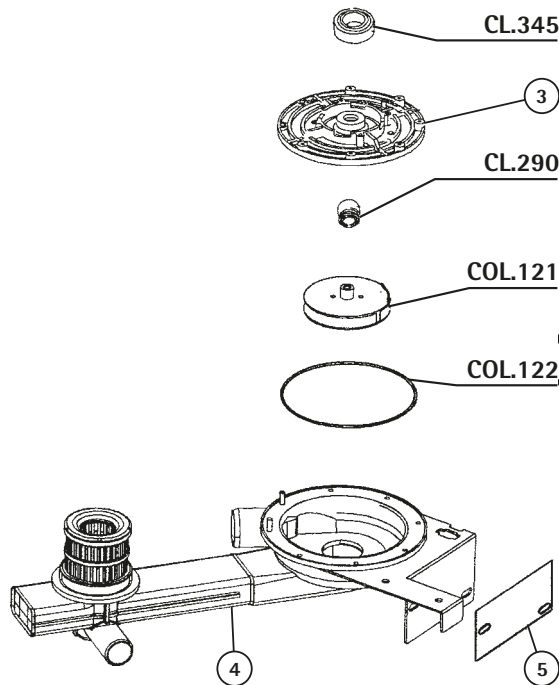


REF.	DESCRIPCIÓN	DESCRIPTION
FA.1031	ABRAZADERA INOX 8-16	8-16 INOX CLAMP
LAV.629	PRESOSTATO SAL.HOR.35/17	35/17 HORIZ.PRESS.SWITCH
LAV.744	JUNTA SOPORTE ALIMENTARIA	SUPPORT KLINGERIT GASKET
LAV.806	SOPORTE DESAGÜE	INLET SUPPORT
V....5	TUBO GOMA 10X16 20 ATM	20ATM 10X17 RUBBER PIPE
V...62	ABRAZADERA 12-20	12-20 CLAMP
V..132	ELECTROVAL.1 VIA LAV.220V	WASH 1 WAY 220V SOLENOID
V..448	TUBO PRESOSTATO-METRO 4X6	4X6 PRE.SWITCH INLET PIPE

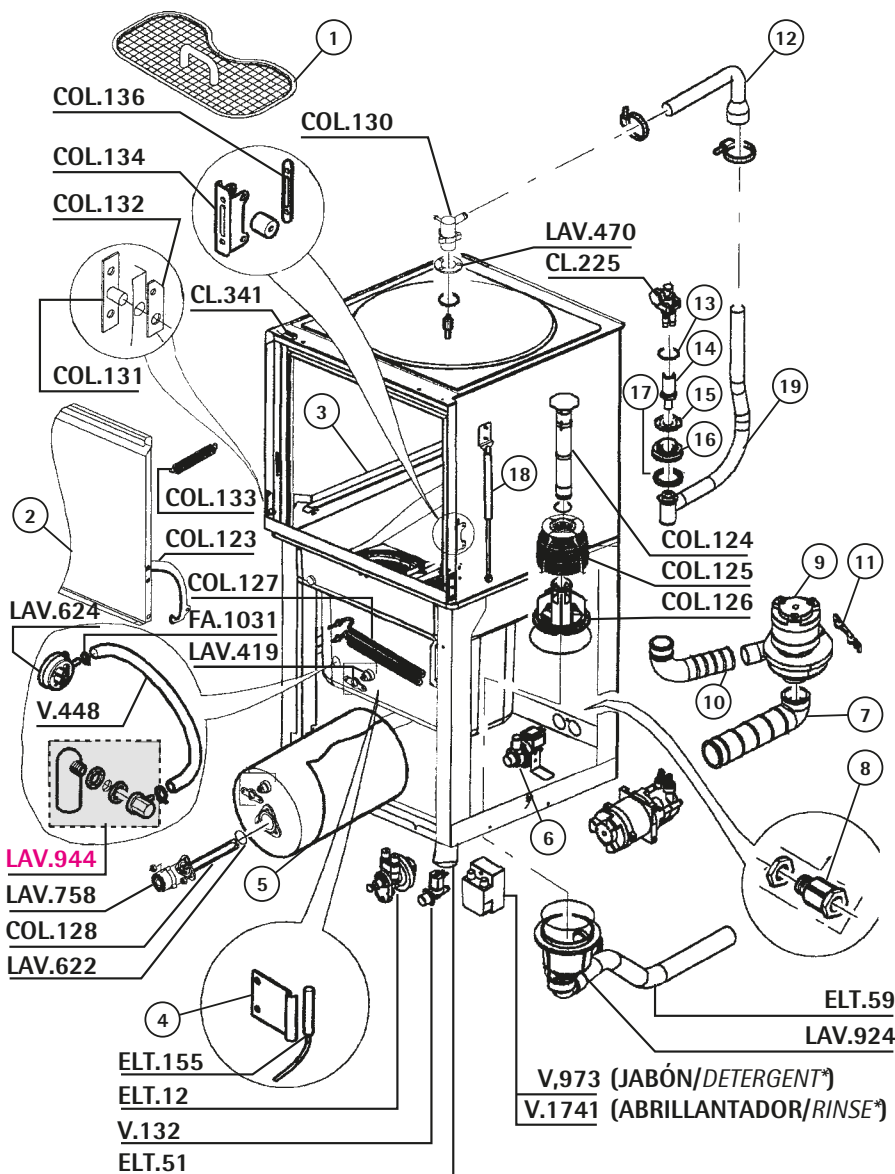




REF.	DESCRIPCIÓN	DESCRIPTION
CL.290	RETEN	MECHANICAL SEAL
CL.345	COJINETE	BALL BEARING
COL121	TURBINA	TURBINE
COL122	JUNTA BOMBA	PUMP GASKET

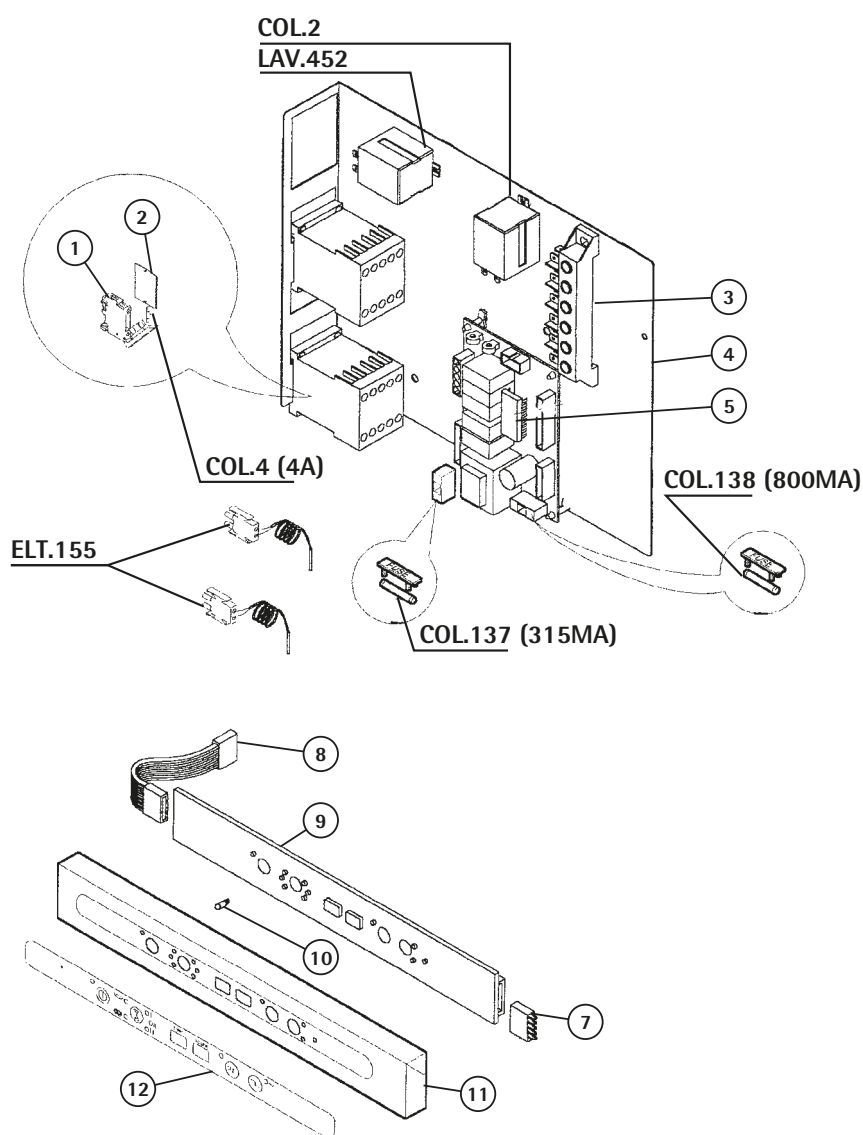


Puerta / Componentes eléctricos GS 60 ■ GS 60 Electric components / Door

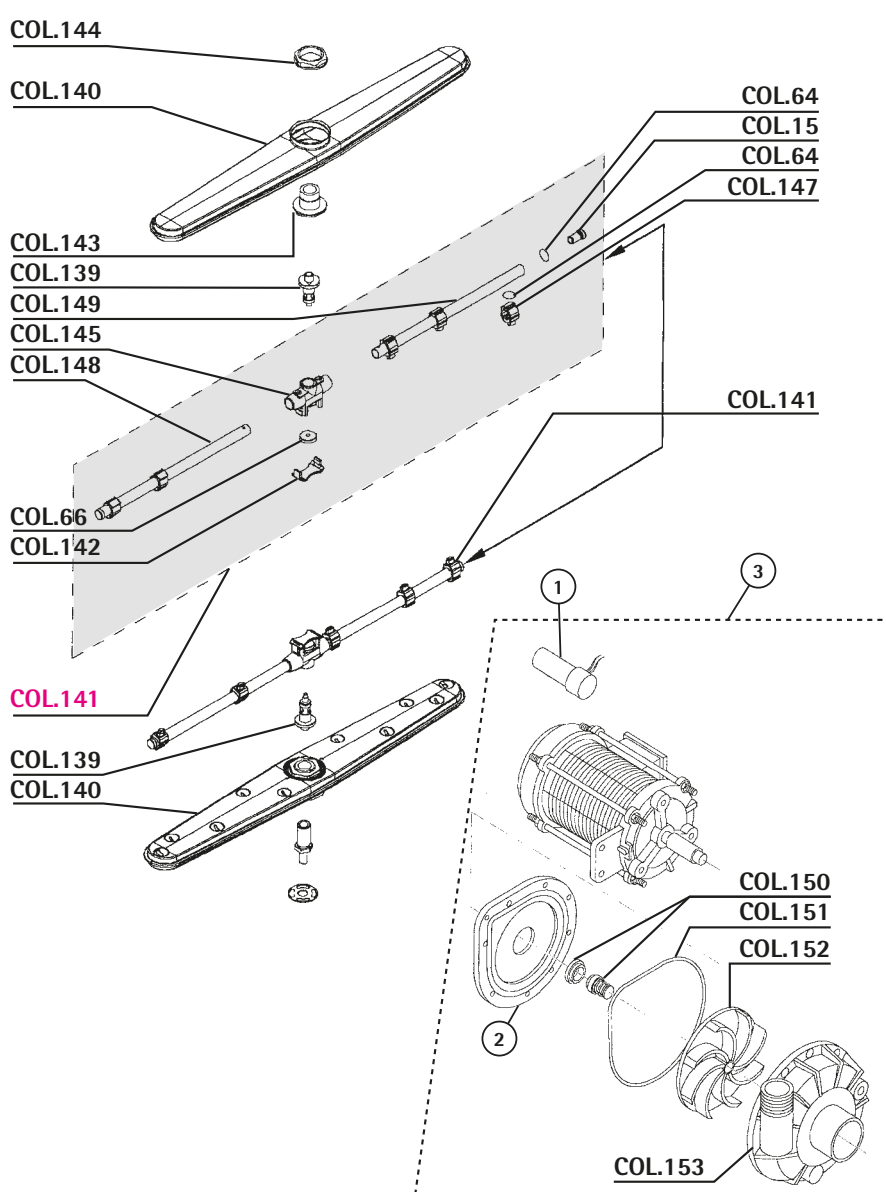


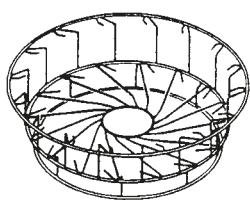
REF.	DESCRIPCIÓN	DESCRIPTION
CL.225	RACOR	FITTING
CL.341	IMAN	MAGNET
COL123	GUIA BISAGRA	HINGE GUIDE
COL124	SOBRENIVEL	OVERFLOW
COL125	FILTRO	FILTER
COL126	BASE FILTRO	FILTER BASE
COL127	RESISTENCIA CUBA	TANK RESISTANCE
COL128	RESISTENCIA CALDERIN 8KW	BOILER RESISTANCE 8KW
COL130	COLECTOR SUPERIOR	UPPER COLECTOR
COL131	BISAGRA	HINGE
COL132	PLACA BISAGRA	PLATE HINGE
COL133	MUELLE PUERTA	DOOR SPRING
COL134	GUIA BISAGRA	HINGE GUIDE
COL136	PLETINA BISAGRA	HINGE PLATE
ELT.12	DOSIFICADOR ABRILLANTADOR	RINSE AID DOSIMETER
ELT.51	PIE MAQUINA	FOOT
ELT.59	TUBO DESAGÜE	OUTLET PIPE
ELT155	SONDA TEMPERATURA RIVER 80	RIVER 80 TEMPERATURE PROBE
FA1031	ABRAZADERA INOX 8-16	8-16 INOX CLAMP
LAV419	TERMOSTATO CUBA 95°	95° TANK THERMOSTAT
LAV470	JUNTA GOMA	RUBBER GASKET
LAV622	TORICA RESISTENCIA GOMA	RESISTANCE RUBBER RING
LAV624	PRESOSTATO SAL.HOR.110/60	110/60 HORIZ.PRESS.SWITCH
LAV758	PROTECTOR RESISTENCIA	RESISTANCE PROTECTOR
LAV924	COLECTOR LAVADO	WASHING COLLECTOR
LAV944	CAMARA PRESOSTATICA	PRES.SWITCH CHAMBER
V.132	ELECTROVAL.1 VIA LAV.220V	WASH 1 WAY 220V SOLENOID
V.448	TUBO PRESOSTATO-METRO 4X6	4X6 PRE.SWITCH INLET PIPE
V.973	DOSIFICADOR PERISTALTICO INTER	INTERNAL PERISTALTIC DOS.
V.1741	DOSIF.ABRILL.INTERNO 230V AC	230Vac INTERNAL RINSE DOSIMET

REF.	DESCRIPCIÓN	DESCRIPTION
COL..2	RELE	RELAY
COL..4	FUSIBLE 5x20 4A	FUSE 5x20 4A
COL137	FUSIBLE 315MA	FUSE 315MA
COL138	FUSIBLE 800MA	FUSE 800MA
ELT155	SONDA TEMPERATURA RIVER 80	RIVER 80 TEMPERATURE PROBE
LAV452	RELE 65.31 230/50HZ	65.31 230/50HZ RELAY

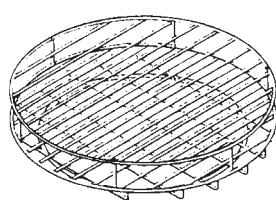


REF.	DESCRIPCIÓN	DESCRIPTION
COL.15	TAPON GIRATORIO	GIRATORY COVER
COL.64	JUNTA	GASKET
COL.66	TORNILLO	SCREW
COL139	EJE GIRATORIO	GIRATORY ROD
COL140	GIRATORIO LAVADO	WASHING GIRATORY
COL141	GIRATORIO ACLARADO	RINSE GIRATORY
COL142	GRAPA	STAPLE
COL143	ADAPTADOR	ADAPTOR
COL144	TUERCA	NUT
COL145	UNION GIRATORIO	GIRATORY JUNCTION
COL147	DIFUSOR	SPRAY
COL148	BRAZO GIRATORIO IZQUIERDO	LEFT GIRATORY ARM
COL149	BRAZO GIRATORIO DERECHO	RIGHT GIRATORY ARM
COL150	RETEN MOTOR	MOTOR MECHANICCAL SEAL
COL151	JUNTA MOTOR	MOTOR GASKET
COL152	TURBINA	TURBINE
COL153	TAPA MOTOR	MOTOR LID

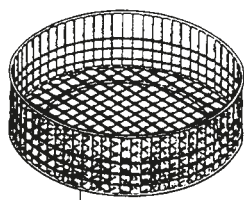




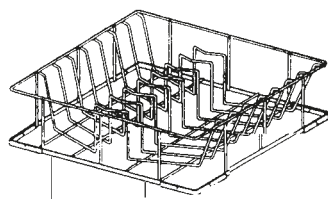
V.31 (40cm)
LF.685 (46cm)



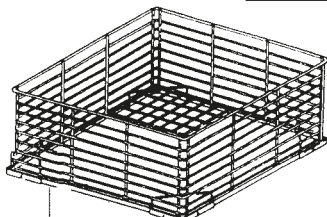
H.15452 (46cm)



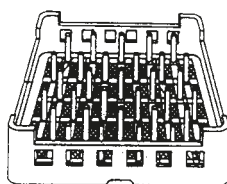
LF.682 (36 cm)
H.15414 (40 cm)
LF.683 (46 cm)



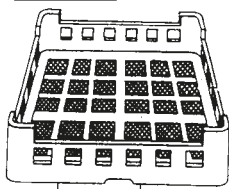
V.80 (36x36 cm)
V.29 (40x40 cm)
WL.3520 (45x45 cm)



WL.3510 (36x36 cm)
WL.3511 (40x40 cm)
WL.3512 (45x45 cm)



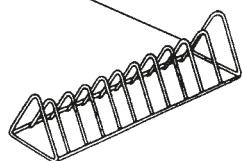
V.173 (30 cm)
V.175 (42 cm)
V.964 (36 cm)



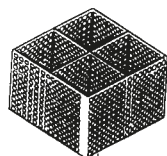
V.1252 (50x50 cm)

V.1250 (50x50 cm)

GAMA COMPLETA / COMPLET RANGE PAG.34



V.526



V.32



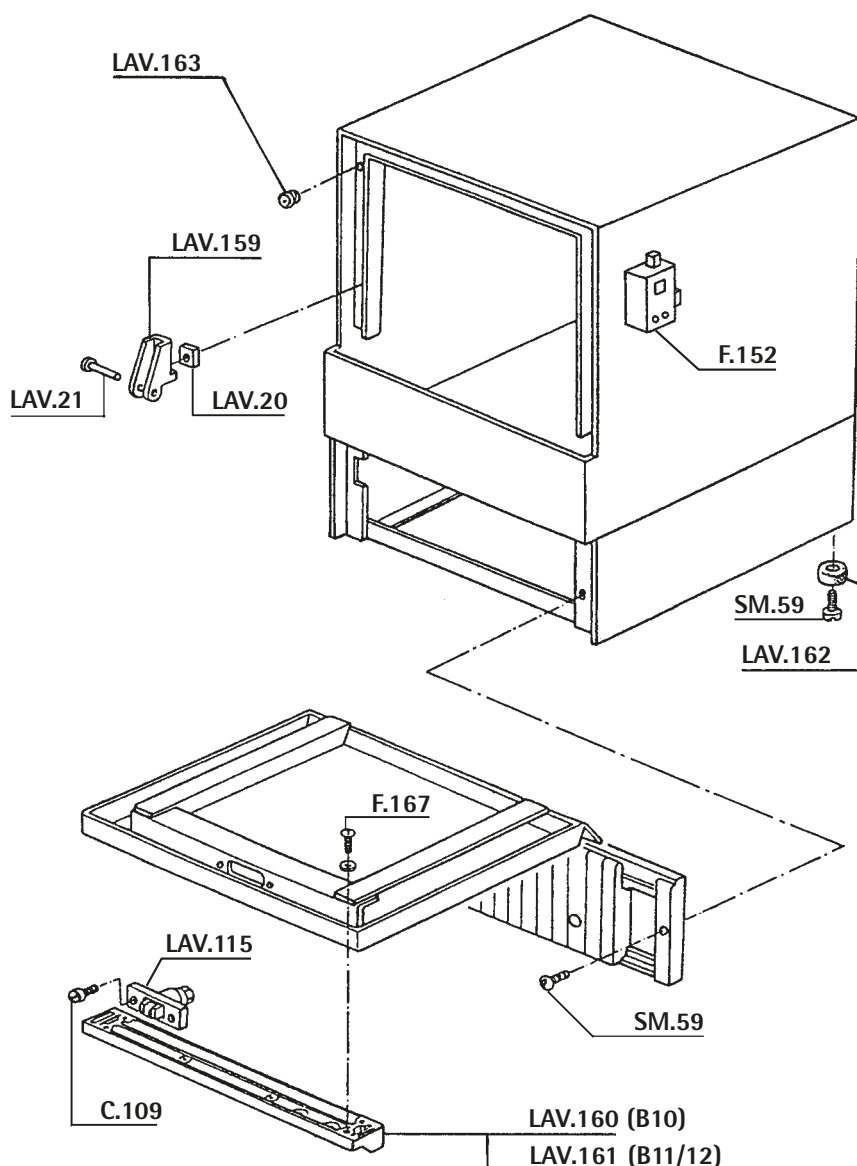
V.610

REF.	DESCRIPCIÓN	DESCRIPTION
H15414	CESTO VASOS 40 CMT.	40 CM. GLASSES BASKET
H15452	CESTO BANDEJAS E-50 46CM	46CM E-50 TRAY BASKET
LF.682	CESTO VASOS 36CMT	36 CM. GLASSES BASKET
LF.683	CESTO VASOS 45 CMT.	45 CM. GLASSES BASKET
LF.685	CESTO PLATOS 45 CMT.	45 CM. DISH BASKET
V...29	CESTO CUADRO PLATOS 40x40	40X40 SQUARE PLATE BASKET
V...31	CESTO PLATOS 40 CMT	40 CM. DISH BASKET
V...32	CESTO CUCHARAS PLASTICO	PLASTIC SPOON BASKET
V...80	CESTO CUADRO PLATOS 36x36	36X36 DISH BASKET
V.173	INSERTO PLATOS 30CMT.	30CMT DISHES INSERT
V.175	INSERTO PLATOS 42CMT.	42CMT DISHES INSERT
V.526	CESTO CUCHARAS CUADRADO	SQUARE SPOON BASKET
V.610	CANTONERA CESTO CUADRADO	BASKET SQUARE CORNERPIECE
V.964	INSERTO PLATOS 36cm	36cm DISHES INSERT
V.1250	CESTA VASOS 50X50	50X50 GLASSES RACK
V.1252	CEST.PLATOS-BANDEJA 50X50	PLATES AND TRAYS RACK
WL3510	CESTO CUADRO VASOS 36x36	36X36 GLASSES BASKET
WL3511	CESTO CUADRO VASOS 40x40	40X40 GLASSES BASKET
WL3512	CESTO CUADRO VASOS 45x45	45X45 GLASSES BASKET
WL3520	CESTO CUADRO PLATOS 45x45	45X45 DISH BASKET

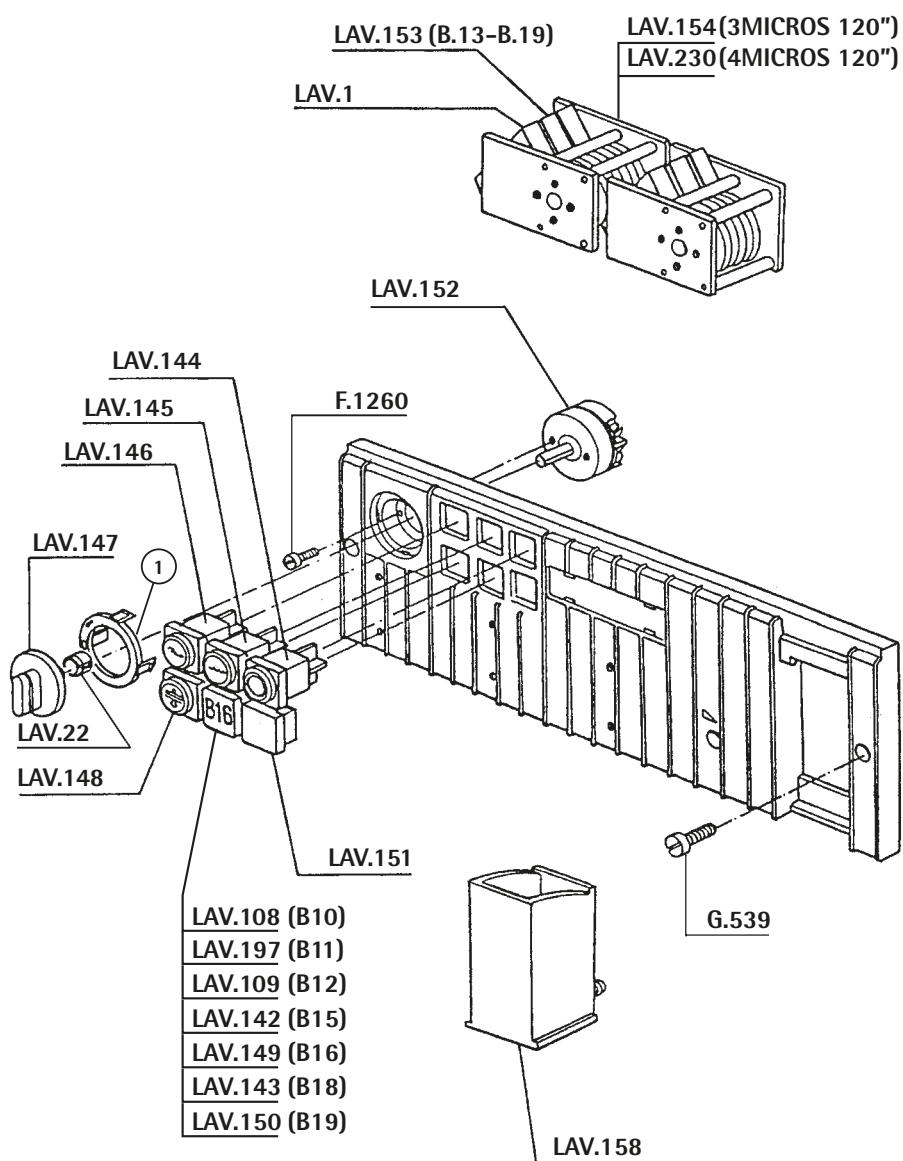
Índice COMENDA index

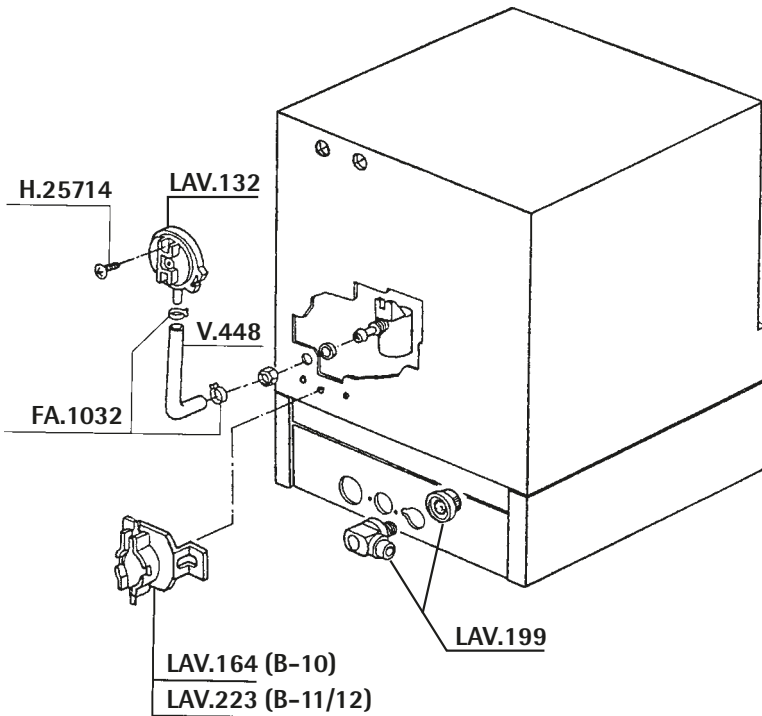
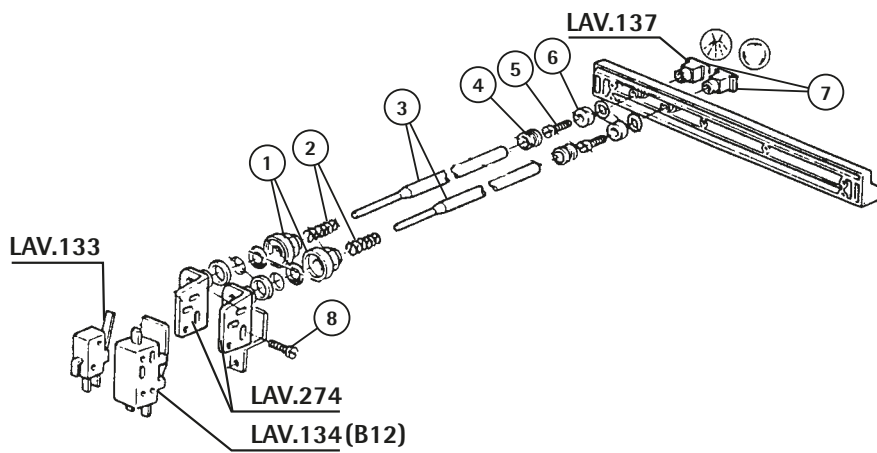
Carrocería Serie B-F	Serie B-F Bodywork	471
Mandos Serie B	Serie B Handles	472
B-10-11-12	B-10-11-12	473-476
B-13 A B-19	B-13 to B-19	477-480
F-20-45-55-65-80	F-20-45-55-65-80	481-484
Motores Serie F	Serie F Motors	485
Serie LF	LF Series	486-505
Serie FC	FC Series	506-518
Serie LB	LB Series	519-533
Carrocería / Mandos BC-25	BC-25 Handles / Bodywork	534
Cuba / Lavado / Aclarado BC-25	BC-25 Rinse / Wash / Tank	535
Calderín BC-25	BC-25 Boiler	536
Puerta / Carrocería BHC25 - BHC30 - BHC30E - BHC433	BHC25 - BHC30 - BHC30E - BHC433 Bodywork / Door	537
Motor / Resistencia / Filtro	BHC25 - BHC30 - BHC30E - BHC433 Filter / Resistance / Motor	538
Lavado / Aclarado BHC25 - BHC30 - BHC433	BHC25 - BHC30 - BHC433 Rinse / Wash	539
Lavado / Aclarado BHC30E	BHC30E Rinse / Wash	540
Calderín BHC25 - BHC30 - BHC30E - BHC433	BHC25 - BHC30 - BHC30E - BHC433 Boiler	541
Motor BHC25 - BHC30 - BHC30E - BHC433	BHC25 - BHC30 - BHC30E - BHC433 Motor	542
Componentes eléctricos BHC25 - BHC30 - BHC433	BHC25 - BHC30 - BHC433 Electric components	543
Componentes eléctricos BHC30E	BHC30E Electric components	544
Bomba desagüe BHC25 - BHC30 - BHC433	BHC25 - BHC30 - BHC433 Drain pump	545
Bomba desagüe BHC30E	BHC30E Drain pump	546
C-75	C-75	547-549
C-85 / C-140	C-85 / C-140	550-552
Carrocería / Cuba C-95 / C-155	C-95 / C-155 Tank / Bodywork	553
Lavado / Aclarado C-95 / C-155	C-95 / C-155 Rinse / Wash	554
Calderín C-95 / C-155	C-95 / C-155 Boiler	555
Componentes eléctricos C-95 / C-155	C-95 / C-155 Electric components	556
Carrocería / Cuba LP-360	LP-360 Tank / Bodywork	557
Mandos LP-360	LP-360 Handles	558
Calderín / Motor LP-360	LP-360 Motor / Boiler	559
Lavado / Aclarado LP-360	LP-360 Rinse / Wash	560
Carrocería / Cuba LC-380	LC-380 Tank / Bodywork	561
Mandos LC-380	LC-380 Handles	562
Lavado / Aclarado LC-380	LC-380 Rinse / Wash	563
Calderín LC-380	LC-380 Boiler	564
Motor / Calderín LC-380	LC-380 Boiler / Motor	565
Carrocería LC700 - LC900 - LC1200	LC700 - LC900 - LC1200 Bodywork	566
Filtros / Resistencia LC700 - LC900 - LC1200	LC700 - LC900 - LC1200 Resistance / Filters	567
Elevación cúpula LC700 - LC900 - LC1200	LC700 - LC900 - LC1200 Cupula upper	568
Columna lavado / Aclarado LC700 - LC900 - LC1200	LC700 - LC900 - LC1200 Wash / Rinse column	569
Lavado / Aclarado LC700 - LC900 - LC1200	LC700 - LC900 - LC1200 Rinse / Wash	570
Lavado / Aclarado LC700 - LC900 - LC1200	LC700 - LC900 - LC1200 Rinse / Wash	571
Grupo aclarado LC700 - LC900 - LC1200	LC700 - LC900 - LC1200 Rinse group	572
Motores LC700 - LC900 - LC1200	LC700 - LC900 - LC1200 Motors	573
Panel de mandos LC700 - LC900 - LC1200	LC700 - LC900 - LC1200 Control panel	574
Cuadro eléctrico LC700 - LC900 - LC1200	LC700 - LC900 - LC1200 Electric panel	575
Bomba desagüe LC700 - LC900 - LC1200	LC700 - LC900 - LC1200 Drain pump	576
Dosificador abrillantador / Cestos	Rinse aid / Baskets	577-578

REF.	DESCRIPCIÓN	DESCRIPTION
C..109	TORNILLO	SCREW
F..152	MICRO PULSADOR 250V 10A	250V 10A BUTTON MICRO
F..167	TORNILLO INOX	INOX SCREW
LAV.20	REFUERZO	REINFORCEMENT
LAV.21	PERNO BISAGRA	HINGE BOLT
LAV115	CIERRE PUERTA	CLOSING DOOR
LAV159	CIERRE PUERTA FIJO	FIXED CLOSING DOOR
LAV160	MANETA PUERTA B-10	B-10 DOOR HANDLE
LAV161	MANETA PUERTA B-11/12	B-11/12 DOOR HANDLE
LAV162	PIE MAQUINA	MACHINE FOOT
LAV163	TOPE GOMA	GUM STOP
SM..59	TORNILLO INOX	INOX SCREW



REF.	DESCRIPCIÓN	DESCRIPTION
F.1260	TORNILLO ALLEN	SCREW
G..539	TORNILLO INOX M-5x25	M5x25 mm INOX SCREW
LAV..1	MICRO TEMPORIZADOR	THERMOSTAT 80-90°C
LAV.22	ANILLO ELASTICO	ELASTIC RING
LAV108	TAPON B-10	B10 CAP
LAV109	TAPON B-12	B12 CAP
LAV142	TAPON B-15	B15 CAP
LAV143	TAPON B-18	B18 CAP
LAV144	PILOTO MARCHA	WARNING LAMP
LAV145	PILOTO AMBAR	RED WARNING LAMP
LAV146	PILOTO ENCENDIDO	WARNING LAMP
LAV147	MANDO INTERRUPTOR	SWITCH HANDLE
LAV148	PULSANTE REGENERACION	REGENERATION PUSH-BUTTON
LAV149	TAPON B-16 CIEGO	B16 BLIND CAP
LAV150	TAPON B-19 CIEGO	B19 BLIND CAP
LAV151	TAPON CIEGO PANEL MANDOS	BLIND CAP
LAV152	INTERRUPTOR GENERAL F-45	F-45 GENERAL SWITCH
LAV153	TEMPORIZADOR REGE.4MICROS	4TOOTH REGENERATION TIMER
LAV154	TEMPORIZADOR 3 LEVAS 120"	3TOOTH 120° LEVELS TIMER
LAV158	DEPOSITO ABRILLANTADOR	RINSE AID CONTAINER
LAV197	TAPON SIMBOLO B-11	B-11 CAP
LAV230	PROGRAMADOR 4 LEVAS 120S	4 TOOTH 120S TIMER

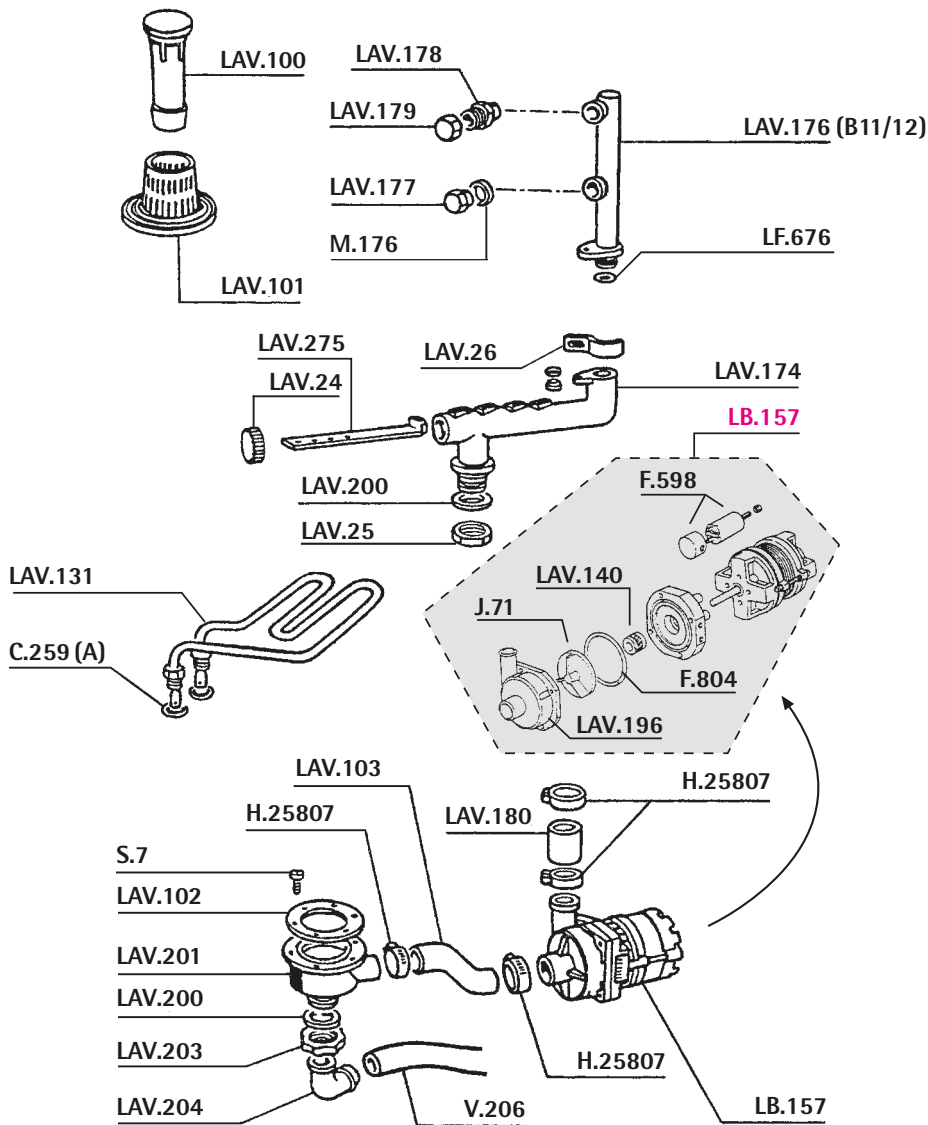




REF.	DESCRIPCIÓN	DESCRIPTION
FA1032	BRIDA	CLASP
H25714	TORNILLO INOX	INOX SCREW
LAV132	PRESOSTATO SAL.HORZ.50/30	50/30 HORIZ.PRESS.SWITCH
LAV133	MICRO ACLARADO 250V 16A	250V 16A CLEAR MICRO
LAV134	MICRO ACLAR.B-12 250V 15A	250V 15A B12 RINSING MIC.
LAV137	PULSANTE ACLARADO	CLEARING PUSH-BUTTON
LAV164	TERMOST.CUBA B-10 48-58°	B-10 48-58°TANK THERMOST.
LAV199	PRENSACABLES	WIRING PRESS
LAV223	TERMOSTATO CUBA B11/12	B-11/12 TANK THERMOSTAT
LAV274	SOPORTE MICRO	MICRO SUPPORT
V.448	TUBO PRESOSTATO-METRO 4X6	4X6 PRE.SWITCH INLET PIPE

Lavado B-10-11-12 ■ B-10-11-12 Wash

474



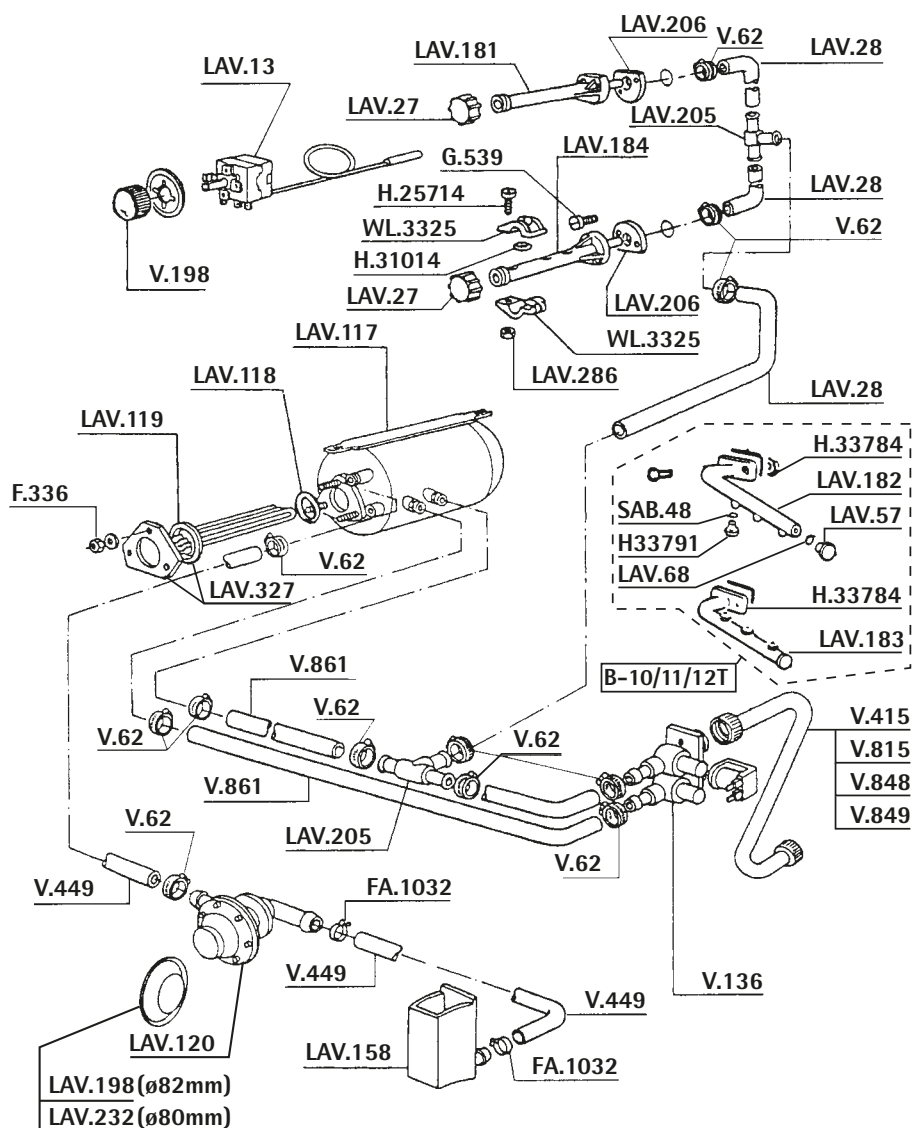
REF.	DESCRIPCIÓN	DESCRIPTION
C..259	JUNTA ALIMENTARIA	ALIMENTARY GASKET
F.598	CONDENSADOR 8 MF.220V	220V 8MF CONDENSER
F.804	TORICA	RING
H25807	ABRAZADERA 25-40	25-40 CLAMP
J...71	TURBINA MOTOR GS-3	GS-3 GS-8 PUMP TURBINE
LAV.24	TAPON	CAP
LAV.25	TUERCA	NUT
LAV.26	BRIDA	CLASP
LAV100	SOBRENIVEL B-10 a B-13	B-10 TO B-13 OVERFLOW
LAV101	FILTRO B-10 a B-13	B-10 TO B-13 FILTER
LAV102	JUNTA MOTOR GOMA	MOTOR RUBBER GASKET
LAV103	TUBO ASPIRACION	INLET PIPE
LAV131	RESISTENCIA CUBA 1500W 230V	TANK RESISTANCE 1500W 230V
LAV140	RETEN EJE BOMBA	MECHANICAL SEAL
LAV174	ASTA LAVADO	WASHING ARM
LAV176	ASTA LAVADO B-11/12	B-11/12 WASHING ARM
LAV177	RACOR LAVADO	WASHING FITTING
LAV178	ESTRANGULADOR	SWIRL
LAV179	TAPON LAVADO	WASHING CAP
LAV180	MANGUITO F45/65/80	F45/65/80 SLEEVE
LAV196	TAPA MOTOR	MOTOR LID
LAV200	JUNTA ARBOL LAVADO GOMA	WASHING ARM RUBBER GASKET
LAV201	BOCA DESAGÜE	DRAIN EXIT
LAV203	TUERCA CODO DESAGÜE	OUTLET ELBOW NUT
LAV204	CODO DESAGÜE	DRAIN ELBOW
LAV275	PALETA LAVADO	SHOVEL
LB.157	MOTOR LAV.0,15CV	0.15CV WASHING MOTOR
LF.676	TORICA	RING
M..176	TORICA GOMA	RUBBER RING
S....7	TORNILLO LATON	SCREW
V..206	TUBO DESAGÜE CON CODO	WITH ELBOW OUTLET PIPE

COMENDA

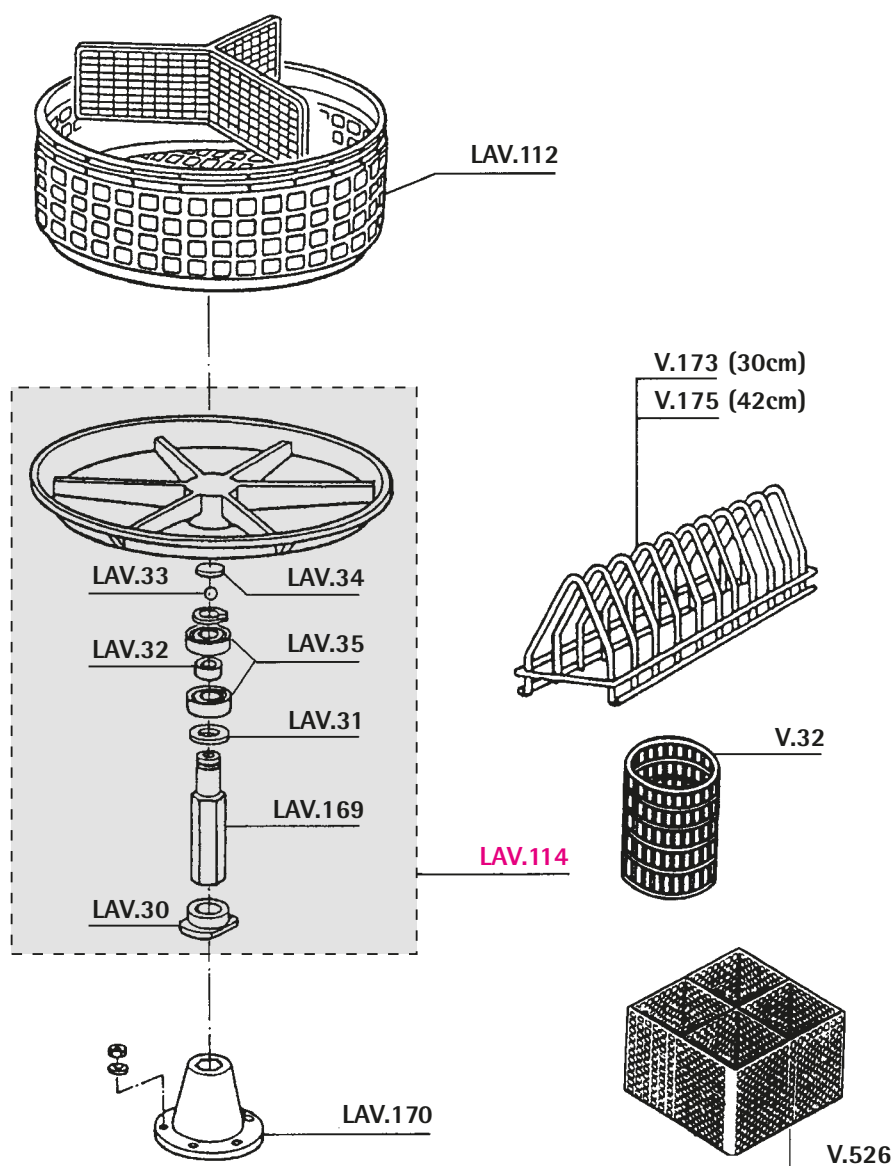
Lavavajillas
Dishwashers

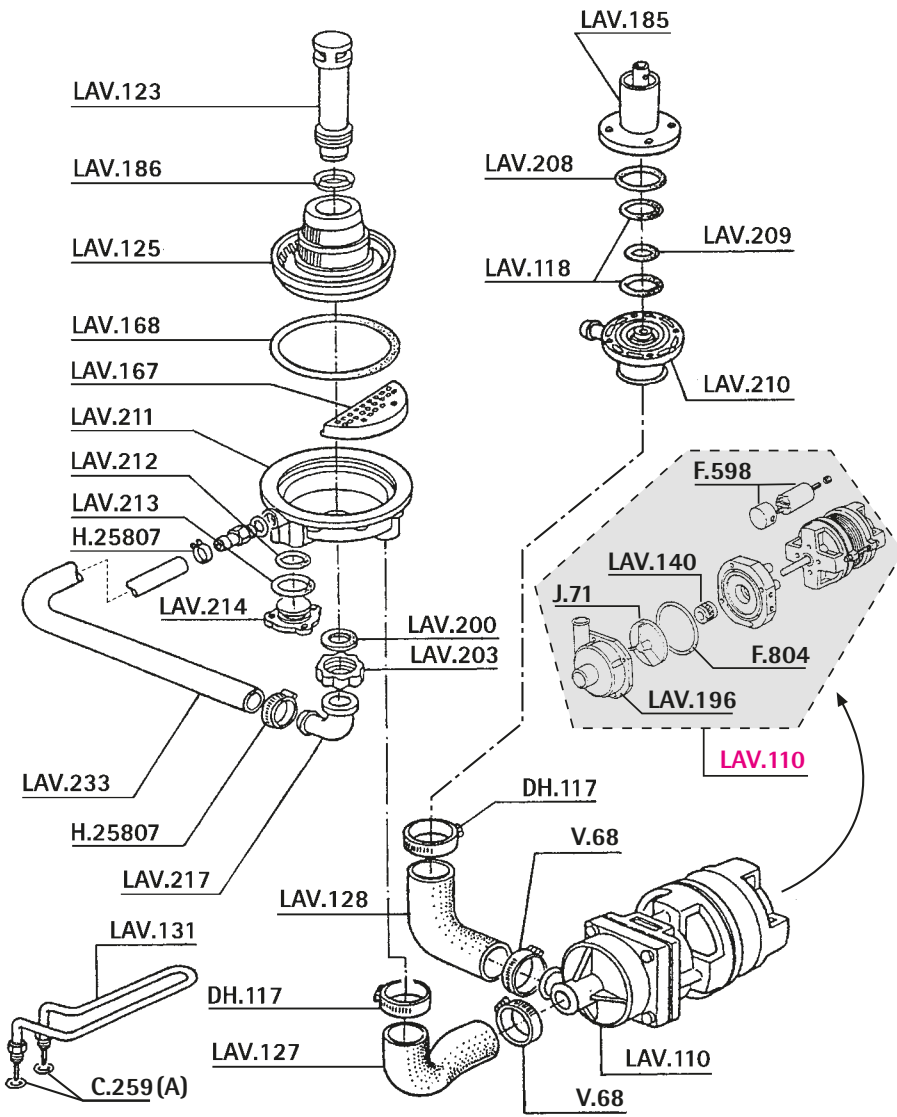
caso

REF.	DESCRIPCIÓN	DESCRIPTION
F.366	TUERCA INOX	INOX NUT
FA1032	BRIDA	CLASP
G..539	TORNILLO INOX M-5x25	M5x25 mm INOX SCREW
H25714	TORNILLO INOX	INOX SCREW
H31014	TORICA CIERRE	CLOSING RING
H33784	JUNTA BRAZO ACLARADO GOMA	RINSE ARM RUBBER GASKET
H33791	RACOR ACLARADO	CLEAR FITTING
LAV.13	TERMOSTATO CALDERIN 90°	90° BOILER THERMOSTAT
LAV.27	TAPON	CAP
LAV.28	TUBO ACLARADO	RINSE PIPE
LAV.57	TAPON GIRATORIO LAVADO	WASHING REVOLVING CAP
LAV.68	TORICA GOMA EPDM	RUBBER RING
LAV.117	CALDERIN B-10 a B-19	B-10 TO B-19 BOILER
LAV.118	TORICA GOMA	RING
LAV.119	RESIST.CALDERIN 2400W 230V	2400W 230V BOILER RESISTANCE
LAV.120	DOSIFICADOR ABRILLANTADOR	RINSE AID DOSIMETER
LAV.158	DEPOSITO ABRILLANTADOR	RINSE AID CONTAINER
LAV.181	ASTA ACLARADO B-10/11/12	B-10/11/12 RINSE ARM
LAV.182	ASTA ACLARADO B-10/11/12T	B-10/11/12T RINSE ARM
LAV.183	ASTA ACLARADO B-10/11/12T	B-10/11/12T RINSE ARM
LAV.184	ASTA ACLARADO B-10/11/12	B-10/11/12 RINSE ARM
LAV.198	MEMBRANA DOSIF.ANT.DIM.82mm	82mm OLD DOSIM. MEMBRANE
LAV.205	RACOR CONEXION ACLARADO	RINSE CONNECTION FITTING
LAV.206	JUNTA ARBOL ACLARADO GOMA	RINSE ARM RUBBER GASKET
LAV.232	MEMBRANA DOSIF.MOD. DIM.80mm	DIM.80mm MOD.DOS.MEMBRANE
LAV.286	TUERCA INOX	NUT
LAV.327	RESISTENCIA + PLETINA ORIGINAL	RESISTENCIA + PLETINA ORIGINAL
SAB.48	TORICA GOMA EPDM	RING
V..62	ABRAZADERA 12-20	12-20 CLAMP
V..136	ELECT.2 VIAS SAL.VERTICAL	VERTICAL EXIT 2 WAY SOLEN
V..198	MANDO TERMOSTATO 90°	90° THERMOSTAT HANDLE
V..415	TOMA LAVADORA 1.5M	QUALITY 1.5M.INLET W.FLEX
V..449	TUBO NYLON 4X6mm (1MT)	(1M) 4X6mm NYLON PIPE
V..815	TOMA LAVADORA 2 METROS	2 MT.INLET WATER FLEXIBLE
V..848	TOMA LAVADORA 1.5M INOX	INOX 1.5M INLET WATER FL.
V..849	TOMA LAV.INOX 2MT.3/4X3/4	INOX 2MT.INLET WATER FLE.
V..861	TUBO GOMA 12X22mm 20ATM	20ATM 12X22mm RUBBER PIPE
WL3325	SALIDAS ACLARADO SUP.	UPPER CLEAT TIP



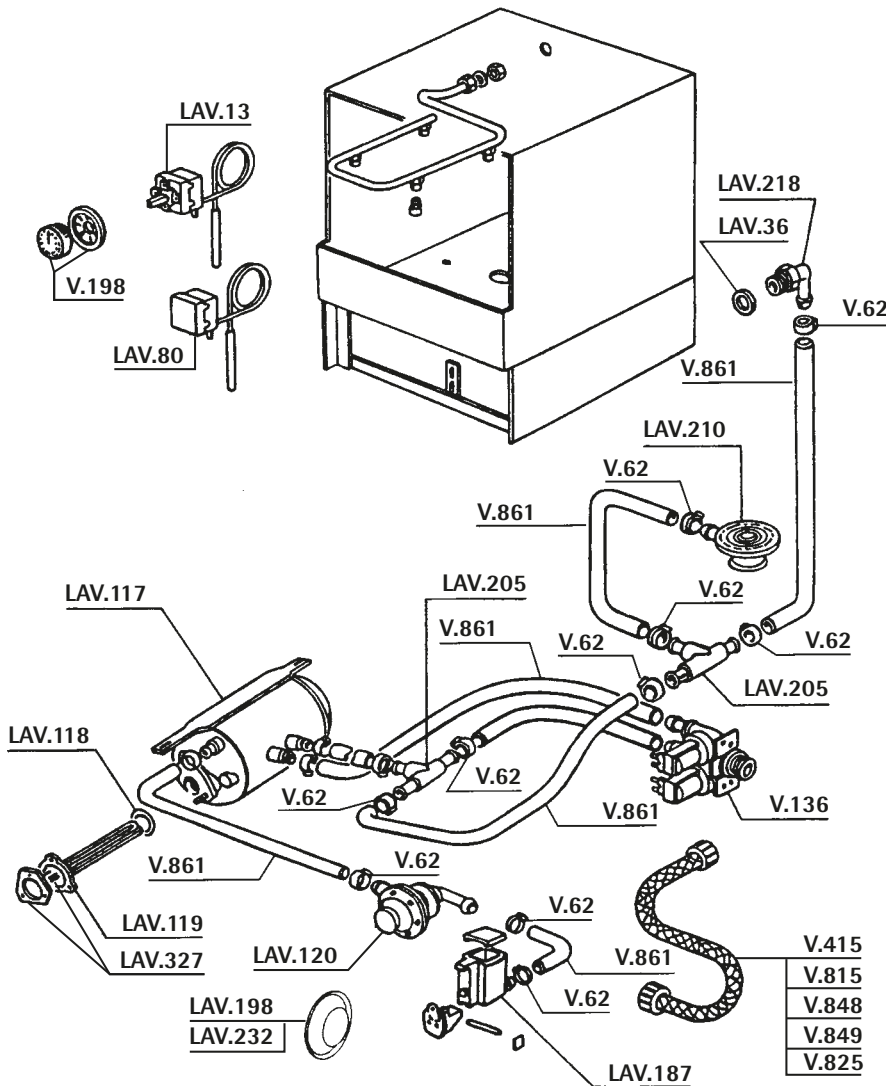
REF.	DESCRIPCIÓN	DESCRIPTION
LAV.30	TUERCA PLASTICO	NUT
LAV.31	ARANDELA GOMA	RUBBER WASHER
LAV.32	DISTANCIAL	DISTANCER
LAV.33	ESFERA INOX 7mm	SPHERE
LAV.34	ARANDELA	WASHER
LAV.35	COJINETE	BALL BEARING
LAV.112	COMPRAS	GLASSES BASKET
LAV.114	VOLANTE COMPLETO 39CM	39CM.ROTATING PLATE
LAV.169	EJE VOLANTE	ROTATING PLATE ROD
LAV.170	SOPORTE VOLANTE	ROTATING PLATE SUPPORT
V..32	CESTO CUCHARAS PLASTICO	PLASTIC SPOON BASKET
V..173	INSERTO PLATOS 30CMT.	30CMT DISHES INSERT
V..175	INSERTO PLATOS 42CMT.	42CMT DISHES INSERT
V..526	CESTO CUCHARAS CUADRADO	SQUARE SPOON BASKET





REF.	DESCRIPCIÓN	DESCRIPTION
C..259	JUNTA ALIMENTARIA	ALIMENTARY GASKET
DH.117	ABRAZADERA 46-70	46-70 CLAMP
F.598	CONDENSADOR 8 MF.220V	220V 8MF CONDENSER
F.804	TORICA	RING
H25807	ABRAZADERA 25-40	25-40 CLAMP
J..71	TURBINA MOTOR GS-3	GS-3 GS-8 PUMP TURBINE
LAV110	MOTOR 0.3 Hp. B-13 A 19	0.3 HP B-13 TO B-19 MOTOR
LAV118	TORICA GOMA	RING
LAV123	SOBRENIVEL	OVERFLOW
LAV125	FILTRO CUBA	TANK FILTER
LAV127	TUBO ASPIRACION	INLET PIPE
LAV128	TUBO ENVIO	OUTLET PIPE
LAV131	RESISTENCIA CUBA 1500W 230V	TANK RESISTANCE 1500W 230V
LAV140	RETEN EJE BOMBA	MECHANICAL SEAL
LAV167	FILTRO RESIDUOS	FILTER
LAV168	TORICA FILTRO	FILTER RING
LAV185	SOPORTE CRUZ LAVADO	WASHING CROSSHEAD SUPPORT
LAV186	COLLARIN	GASKET
LAV196	TAPA MOTOR	MOTOR LID
LAV200	JUNTA ARBOL LAVADO GOMA	WASHING ARM RUBBER GASKET
LAV203	TUERCA CODO DESAGÜE	OUTLET ELBOW NUT
LAV208	TORICA SOPORTE GIRATORIO	SUPPORT RING
LAV209	TORICA SOPORTE GIRATORIO	SUPPORT RING
LAV210	PIPA INF.LAVADO ACLARADO	WASH/CLEAR INF. PIPE
LAV211	CAZOLETA ASPIRACION	ASPIRATION TRAY
LAV212	TORICA CAZOLETA	TUB RING
LAV213	TORICA CAZOLETA	TUB RING
LAV214	ARTICULO DADO DE BAJA	CANCEL
LAV217	CODO DESAGÜE CAZOLETA	DRAIN ELBOW
LAV233	TUBO DESAGÜE 35X27mm 1.5 MT	35X27mm 1.5MT OUTLET PIPE
V...68	ABRAZADERA 32-50	35-50 CLAMP

Aclarado B-13 a B-19 ■ B-13 to B-19 Rinse

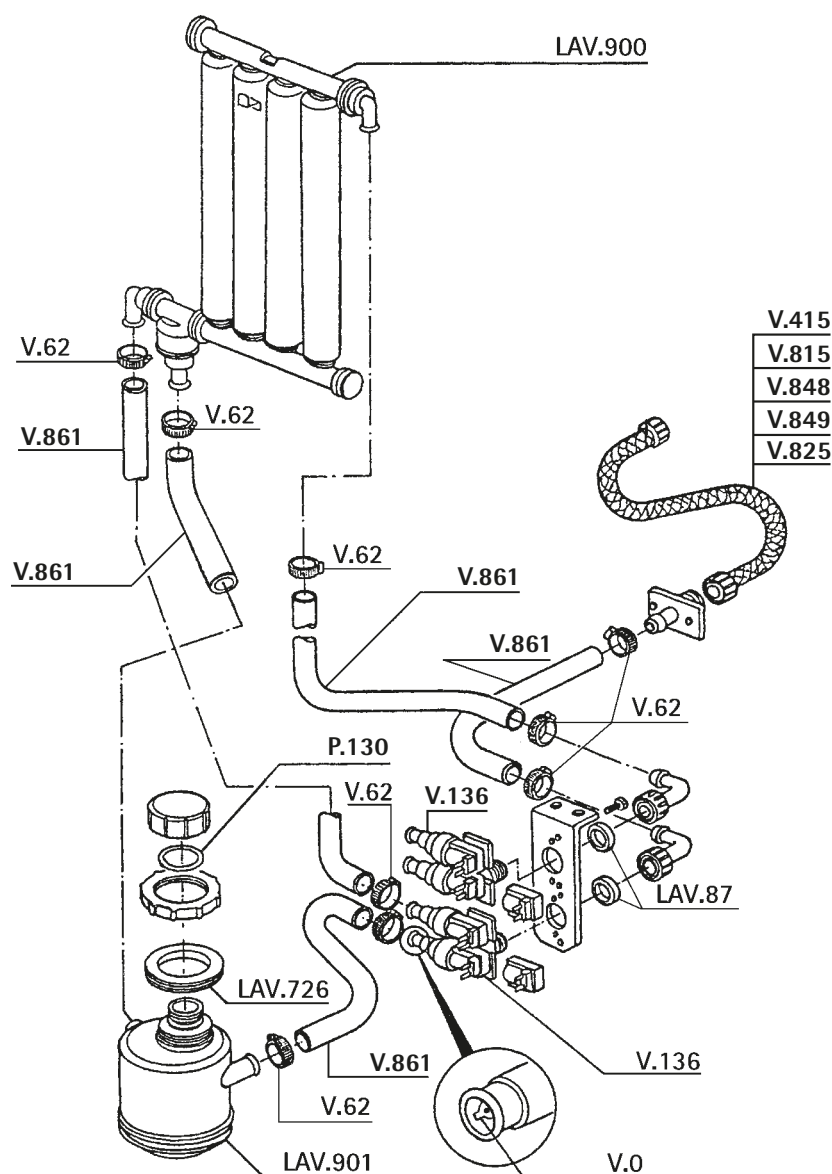


REF.	DESCRIPCIÓN	DESCRIPTION
LAV.13	TERMOSTATO CALDERIN 90°	90° BOILER THERMOSTAT
LAV.36	JUNTA ALIMENTARIA	ALIMENTARY GASKET
LAV.80	TERMOSTATO SEGURIDAD 110°	110° SAFETY THERMOSTAT
LAV.117	CALDERIN B-10 a B-19	B-10 TO B-19 BOILER
LAV.118	TORICA GOMA	RING
LAV.119	RESIST.CALDERIN 2400W 230V	2400W 230V BOILER RESISTANCE
LAV.120	DOSIFICADOR ABRILLANTADOR	RINSE AID DOSIMETER
LAV.187	DEPOSITO ABRILLANTADOR	RINSE AID CONTAINER
LAV.198	MEMBRANA DOSIF.ANT.DIM.82mm	82mm OLD DOSIM. MEMBRANE
LAV.205	RACOR CONEXION ACLARADO	RINSE CONNECTION FITTING
LAV.210	PIPA INF.LAVADO ACLARADO	WASH/CLEAR INF. PIPE
LAV.218	CODO ACLARADO	CLEAR ELBOW
LAV.232	MEMBRANA DOSIF.MOD. DIM.80mm	DIM.80mm MOD.DOS.MEMBRANE
LAV.327	RESISTENCIA + PLETINA ORIGINAL	RESISTENCIA + PLETINA ORIGINAL
V..62	ABRAZADERA 12-20	12-20 CLAMP
V..136	ELECT.2 VIAS SAL.VERTICAL	VERTICAL EXIT 2 WAY SOLEN
V..198	MANDO THERMOSTATO 90°	90° THERMOSTAT HANDLE
V..415	TOMA LAVADORA 1,5M	QUALITY 1.5M.INLET W.FLEX
V..815	TOMA LAVADORA 2 METROS	2 MT.INLET WATER FLEXIBLE
V..825	TOMA LAVADORA 1.5 "ECO"	"ECO"1.5M INLET WA.FLEXIB
V..848	TOMA LAVADORA 1.5M INOX	INOX 1.5M INLET WATER FL.
V..849	TOMA LAV.INOX 2MT.3/4X3/4	INOX 2MT.INLET WATER FLE.
V..861	TUBO GOMA 12X22mm 20ATM	20ATM 12X22mm RUBBER PIPE

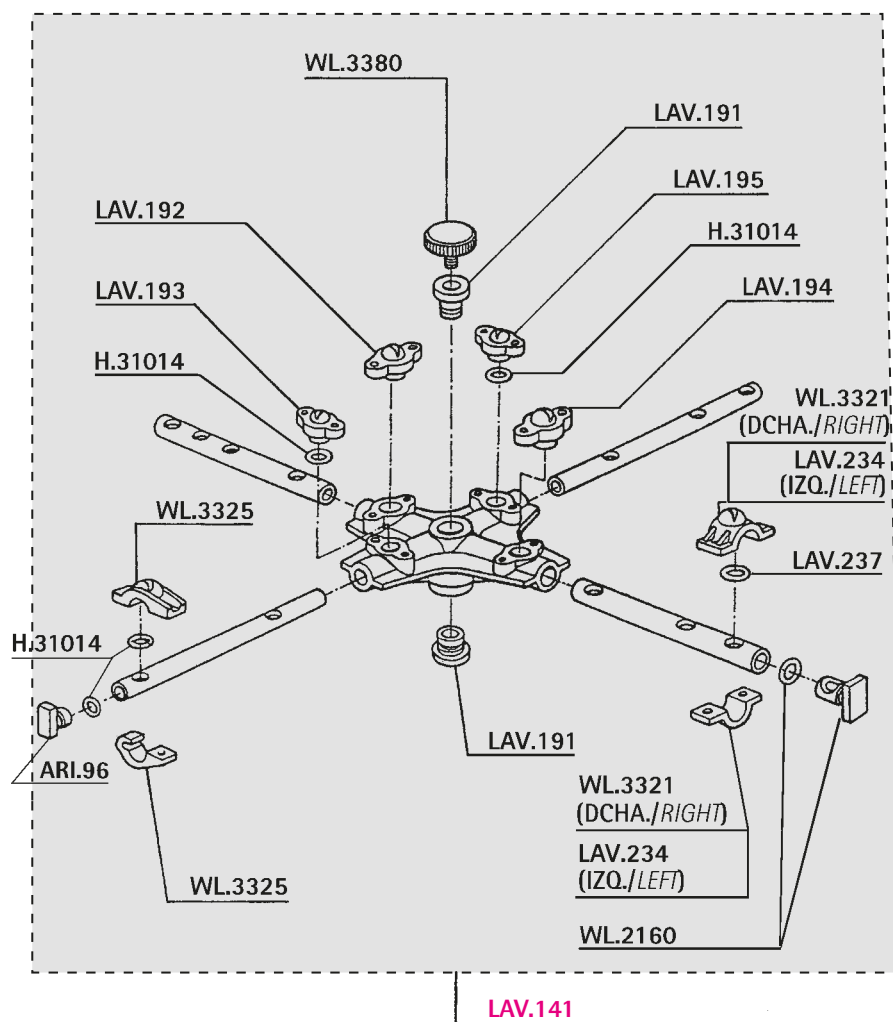
Solicite el DVD, incluye todos nuestros catálogos. Más de 50.000 artículos

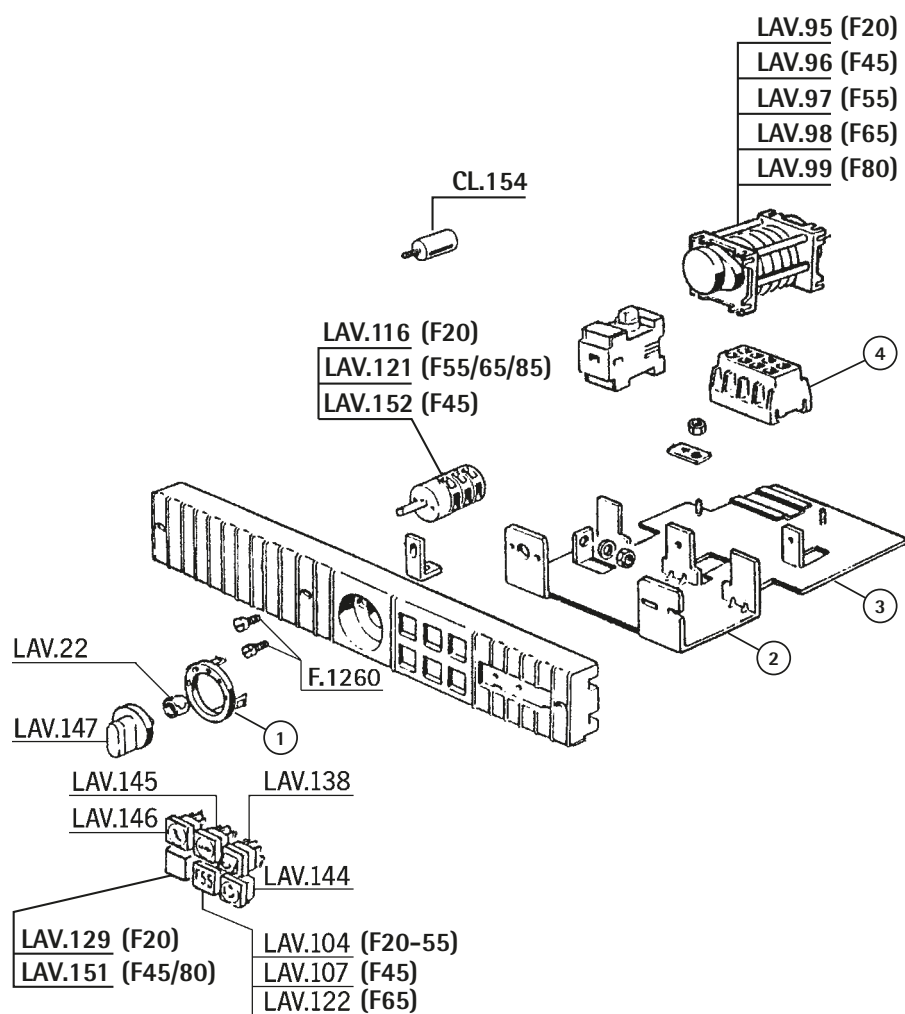


REF.	DESCRIPCIÓN	DESCRIPTION
LAV.87	JUNTA GOMA	RUBBER GASKET
LAV726	JUNTA GOMA BOTELLA SAL	BOTTLE SALT RUBBER GASKET
LAV900	DEPURADOR LAVATAZAS	WASHING CUP PURIFIER
LAV901	DEPOSITO SAL COMPLETO	SALT CONTAINER
P..130	TORICA EPDM	RING
V...0	REDUCTOR ELECTROV.CAUDAL 3	CAUD.3 SOLENOID REDUCER
V...62	ABRAZADERA 12-20	12-20 CLAMP
V..136	ELECT.2 VIAS SAL.VERTICAL	VERTICAL EXIT 2 WAY SOLEN
V..415	TOMA LAVADORA 1,5M	QUALITY 1.5M.INLET W.FLEX
V..815	TOMA LAVADORA 2 METROS	2 MT.INLET WATER FLEXIBLE
V..825	TOMA LAVADORA 1.5 "ECO"	"ECO"1.5M INLET WA.FLEXIB
V..848	TOMA LAVADORA 1.5M INOX	INOX 1.5M INLET WATER FL.
V..849	TOMA LAV.INOX 2MT.3/4X3/4	INOX 2MT.INLET WATER FLE.
V..861	TUBO GOMA 12X22mm 20ATM	20ATM 12X22mm RUBBER PIPE

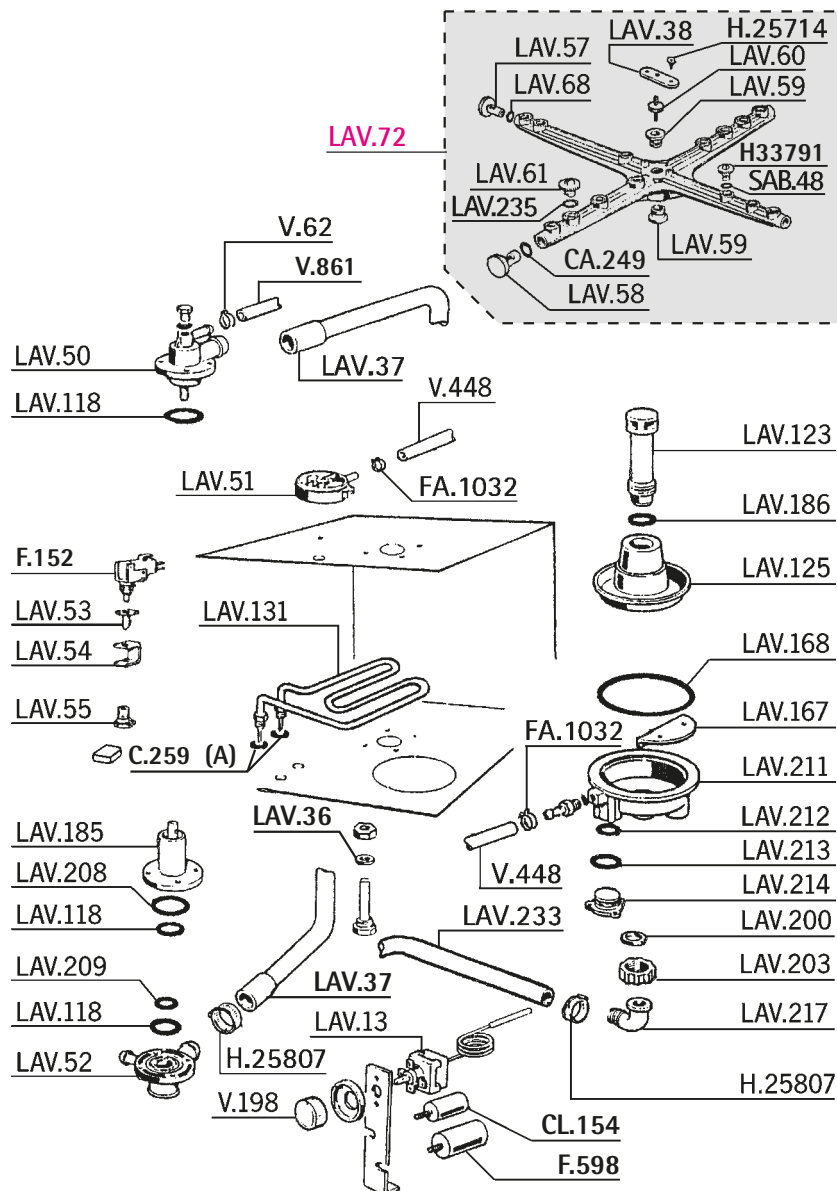


REF.	DESCRIPCIÓN	DESCRIPTION
ARI.96	TAPON GIRATORIO ACLARADO	CLEAR REVOLVING ARM CAP
H31014	TORICA CIERRE	CLOSING RING
LAV141	TUBO GIRATORIO	ROTATING PIPE
LAV191	GUIA CRUZ LAVADO	WASHING CROSS GUIDE
LAV192	RACOR LAVADO CIEGO	BLIND WASHING FITTING
LAV193	RACOR ACLARADO	RINSE FITTING
LAV194	RACOR LAVADO	WASHING FITTING
LAV195	RACOR ACLARADO CIEGO	BLIND CLEAR FITTING
LAV234	SALIDAS LAVADO IZQUIERDA	LEFT WASHING TIP
LAV237	TORICA GOMA	RING
WL2160	TAPON GOMA	RUBBER CAP
WL3321	SALIDAS LAVADO DERECHA	RIGHT WASHING TIP
WL3325	SALIDAS ACLARADO SUP.	UPPER CLEAT TIP
WL3380	TAPON CON PUNTA	CAP



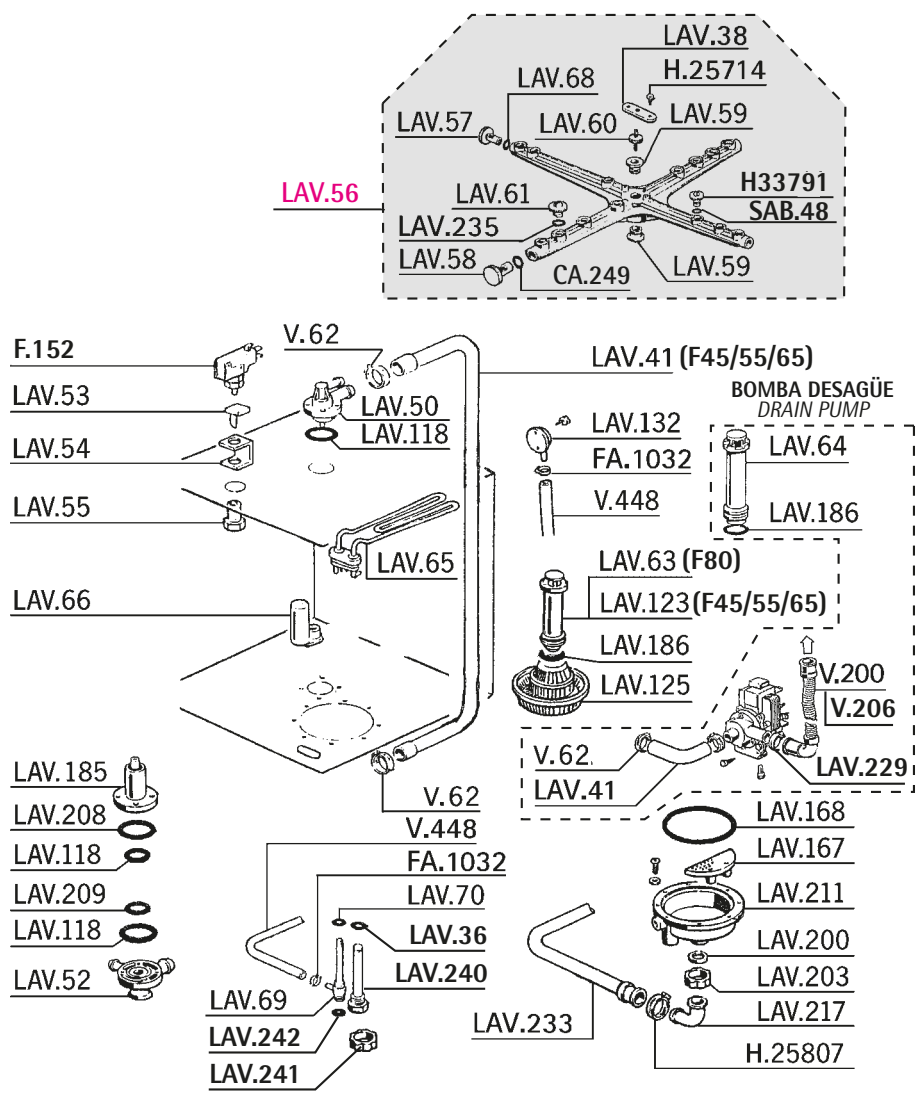


REF.	DESCRIPCIÓN	DESCRIPTION
CL.154	FILTRO ANTIPARASITARIO	ANTIPARASITIC FILTER
F.1260	TORNILLO ALLEN	SCREW
LAV.22	ANILLO ELASTICO	ELASTIC RING
LAV.95	TEMPORIZADOR DOBLE F-20	F-20 DOUBLE TIMER
LAV.96	TEMPORIZADOR F-45 4 MICROS	4 TOOTH F-45 TIMER
LAV.97	TEMPORIZADOR DOBLE F-55	F-55 DOUBLE TIMER
LAV.98	TEMPORIZADOR DOBLE F-65	F-65 DOUBLE TIMER
LAV.99	TEMPORIZADOR F-80	F-80 TIMER
LAV104	TAPON F-20	F20 CAP
LAV107	TAPON F-45	F45 CAP
LAV116	INTERRUPTOR GENERAL F-20	F-20 GENERAL SWITCH
LAV121	INTERRUPT.GRAL.F55/65/85	F-55/65/85 SWITCH
LAV122	TAPON F-65	F-65 CAP
LAV129	PULSADOR F-20	F-20 PUSH-BUTTON
LAV138	PULSANTE SERIE F	SERIE F PUSH-BUTTON
LAV144	PILOTO MARCHA	WARNING LAMP
LAV145	PILOTO AMBAR	RED WARNING LAMP
LAV146	PILOTO ENCENDIDO	WARNING LAMP
LAV147	MANDO INTERRUPTOR	SWITCH HANDLE
LAV151	TAPON CIEGO PANEL MANDOS	BLIND CAP
LAV152	INTERRUPTOR GENERAL F-45	F-45 GENERAL SWITCH

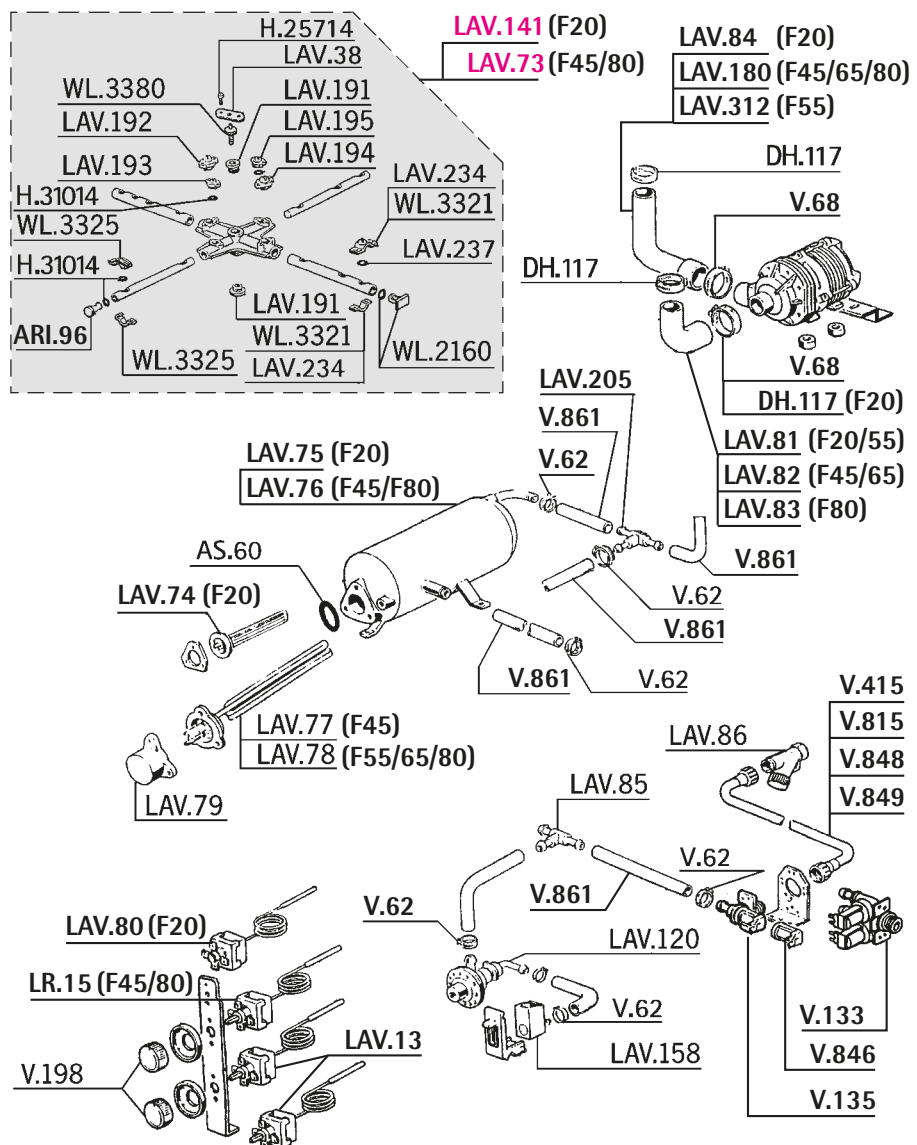


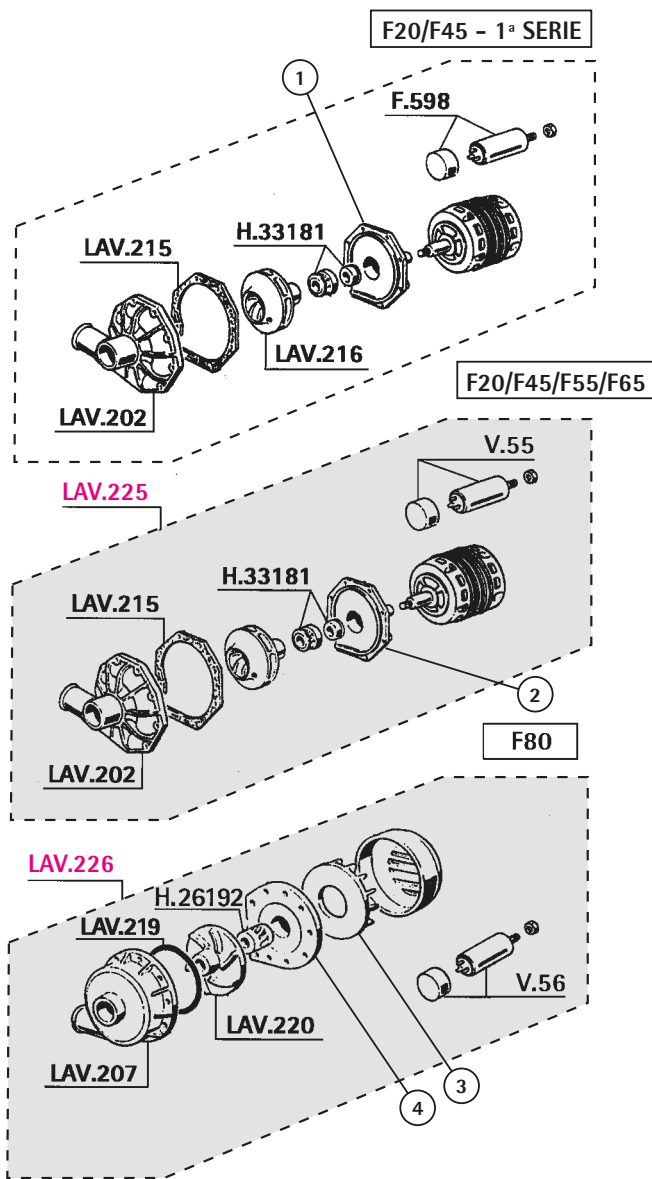
REF.	DESCRIPCIÓN	DESCRIPTION
C.259	JUNTA ALIMENTARIA	ALIMENTARY GASKET
CA.249	TORICA VALVULA	VALVE RING
CL.154	FILTRO ANTIPARASITARIO	ANTIPARASITIC FILTER
F.152	MICRO PULSADOR 250V 10A	250V 10A BUTTON MICRO
F.598	CONDENSADOR 8 MF.220V	220V 8MF CONDENSER
FA1032	BRIDA	CLASP
H25714	TORNILLO INOX	INOX SCREW
H25807	ABRAZADERA 25-40	25-40 CLAMP
H33791	RACOR ACLARADO	CLEAR FITTING
LAV.13	TERMOSTATO CALDERIN 90°	90° BOILER THERMOSTAT
LAV.36	JUNTA ALIMENTARIA	ALIMENTARY GASKET
LAV.37	TUBO LAVADO	WASHING PIPE
LAV.38	PLACA	PLATE
LAV.50	SOPORTE ASPAS SUPERIOR	UPPER REEL SUPPORT
LAV.51	PRESOSTATO SAL/HOR.110/75	110/75 PRESSURE SWITCH
LAV.52	SOPORTE INFERIOR	LOWER SUPPORT
LAV.53	PERNO MICRO PUERTA	DOOR MICRO SWITCH BOLT
LAV.54	SOPORTE MICRO	MICRO SUPPORT
LAV.55	TUERCA	NUT
LAV.57	TAPON GIRATORIO LAVADO	WASHING REVOLVING CAP
LAV.58	TAPON GIRATORIO LAVADO	WASHING REVOLVING CAP
LAV.59	CASQUILLO GIRATORIO	REVOLVING CAP
LAV.60	TORNILLO FIJAR GIRATORIO	SCREW
LAV.61	SURTIDOR LAVADO SERIE F	SERIE F WASHING SPRAY
LAV.68	TORICA GOMA EPDM	RUBBER RING
LAV.72	GIRATORIO LAVADO F-20	F-20 WASHING GYRATORY
LAV118	TORICA GOMA	RING
LAV123	SOBRENIVEL	OVERFLOW
LAV125	FILTRO CUBA	TANK FILTER
LAV131	RESISTENCIA CUBA 1500W 230V	TANK RESISTANCE 1500W 230V
LAV167	FILTRO RESIDUOS	FILTER
LAV168	TORICA FILTRO	FILTER RING
LAV185	SOPORTE CRUZ LAVADO	WASHING CROSSHEAD SUPPORT
LAV186	COLLARIN	GASKET
LAV200	JUNTA ARBOL LAVADO GOMA	WASHING ARM RUBBER GASKET
LAV203	TUERCA CODO DESAGÜE	OUTLET ELBOW NUT
LAV208	TORICA SOPORTE GIRATORIO	SUPPORT RING
LAV209	TORICA SOPORTE GIRATORIO	SUPPORT RING
LAV211	CAZOLETA ASPIRACION	ASPIRATION TRAY
LAV212	TORICA CAZOLETA	TUB RING
LAV213	TORICA CAZOLETA	TUB RING
LAV214	ARTICULO DADO DE BAJA	CANCEL
LAV217	CODO DESAGÜE CAZOLETA	DRAIN ELBOW
LAV233	TUBO DESAGÜE 35X27mm 1.5 MT	35X27mm 1.5MT OUTLET PIPE
LAV235	TORICA GOMA	RING
SAB.48	TORICA GOMA EPDM	RING
V..62	ABRAZADERA 12-20	12-20 CLAMP
V..198	MANDO TERMOSTATO 90°	90° THERMOSTAT HANDLE
V..448	TUBO PRESOSTATO-METRO 4X6	4X6 PRE.SWITCH INLET PIPE
V..861	TUBO GOMA 12X22mm 20ATM	20ATM 12X22mm RUBBER PIPE

REF.	DESCRIPCIÓN	DESCRIPTION
CA.249	TORICA VALVULA	VALVE RING
F.152	MICRO PULSADOR 250V 10A	250V 10A BUTTON MICRO
FA1032	BRIDA	CLASP
H25714	TORNILLO INOX	INOX SCREW
H25807	ABRAZADERA 25-40	25-40 CLAMP
H33791	RACOR ACLARADO	CLEAR FITTING
LAV.36	JUNTA ALIMENTARIA	ALIMENTARY GASKET
LAV.38	PLACA	PLATE
LAV.41	TUBO LAVADO	WASHING PIPE
LAV.50	SOPORTE ASPAS SUPERIOR	UPPER REEL SUPPORT
LAV.52	SOPORTE INFERIOR	LOWER SUPPORT
LAV.53	PERNO MICRO PUERTA	DOOR MICROSWITCH BOLT
LAV.54	SOPORTE MICRO	MICRO SUPPORT
LAV.55	TUERCA	NUT
LAV.56	GIRATORIO LAVADO F45-F80	F-45/F-80 GYRATORY
LAV.57	TAPON GIRATORIO LAVADO	WASHING REVOLVING CAP
LAV.58	TAPON GIRATORIO LAVADO	WASHING REVOLVING CAP
LAV.59	CASQUILLO GIRATORIO	REVOLVING CAP
LAV.60	TORNILLO FIJAR GIRATORIO	SCREW
LAV.61	SURTIDOR LAVADO SERIE F	SERIE F WASHING SPRAY
LAV.63	SOBRENIVEL F-80	F-80 OVERFLOW
LAV.64	SOBRENIVEL BOMBA DESAGÜE	DRAIN PUMP OVERFLOW
LAV.65	RESISTENCIA CUBA 2400 W 230V	2400W 230V TANK RESISTANCE
LAV.66	CAMARA PRESOSTATICA	PRESSURE SWITCH CHAMBER
LAV.68	TORICA GOMA EPDM	RUBBER RING
LAV.69	TUBO CAMARA PRESOSTATICA	PRESURE SWITCH PIPE
LAV.70	JUNTA GOMA	RUBBER GASKET
LAV.118	TORICA GOMA	RING
LAV.123	SOBRENIVEL	OVERFLOW
LAV.125	FILTRO CUBA	TANK FILTER
LAV.132	PRESOSTATO SAL.HORZ.50/30	50/30 HORIZ.PRESS.SWITCH
LAV.167	FILTRO RESIDUOS	FILTER
LAV.168	TORICA FILTRO	FILTER RING
LAV.185	SOPORTE CRUZ LAVADO	WASHING CROSSHEAD SUPPORT
LAV.186	COLLARIN	GASKET
LAV.200	JUNTA ARBOL LAVADO GOMA	WASHING ARM RUBBER GASKET
LAV.203	TUERCA CODO DESAGÜE	OUTLET ELBOW NUT
LAV.208	TORICA SOPORTE GIRATORIO	SUPPORT RING
LAV.209	TORICA SOPORTE GIRATORIO	SUPPORT RING
LAV.211	CAZOLETA ASPIRACION	ASPIRATION TRAY
LAV.217	CODO DESAGÜE CAZOLETA	DRAIN ELBOW
LAV.229	BOMBA ACLARADO F-45 A F80	F-45 TO F80 PUMP
LAV.233	TUBO DESAGÜE 35X27mm 1.5 MT	35X27mm 1.5MT OUTLET PIPE
LAV.235	TORICA GOMA	RING
LAV.240	ESPADIN	PIPE
LAV.241	TUERCA PLASTICO	NUT
LAV.242	JUNTA GOMA	RUBBER GASKET
SAB.48	TORICA GOMA EPDM	RING
V..62	ABRAZADERA 12-20	12-20 CLAMP
V..200	TUBO DESAGÜE 17mm 1,8mt	17mm. 1.8mt OUTLET PIPE
V..206	TUBO DESAGÜE CON CODO	WITH ELBOW OUTLET PIPE
V..448	TUBO PRESOSTATO-METRO 4X6	4X6 PRE.SWITCH INLET PIPE



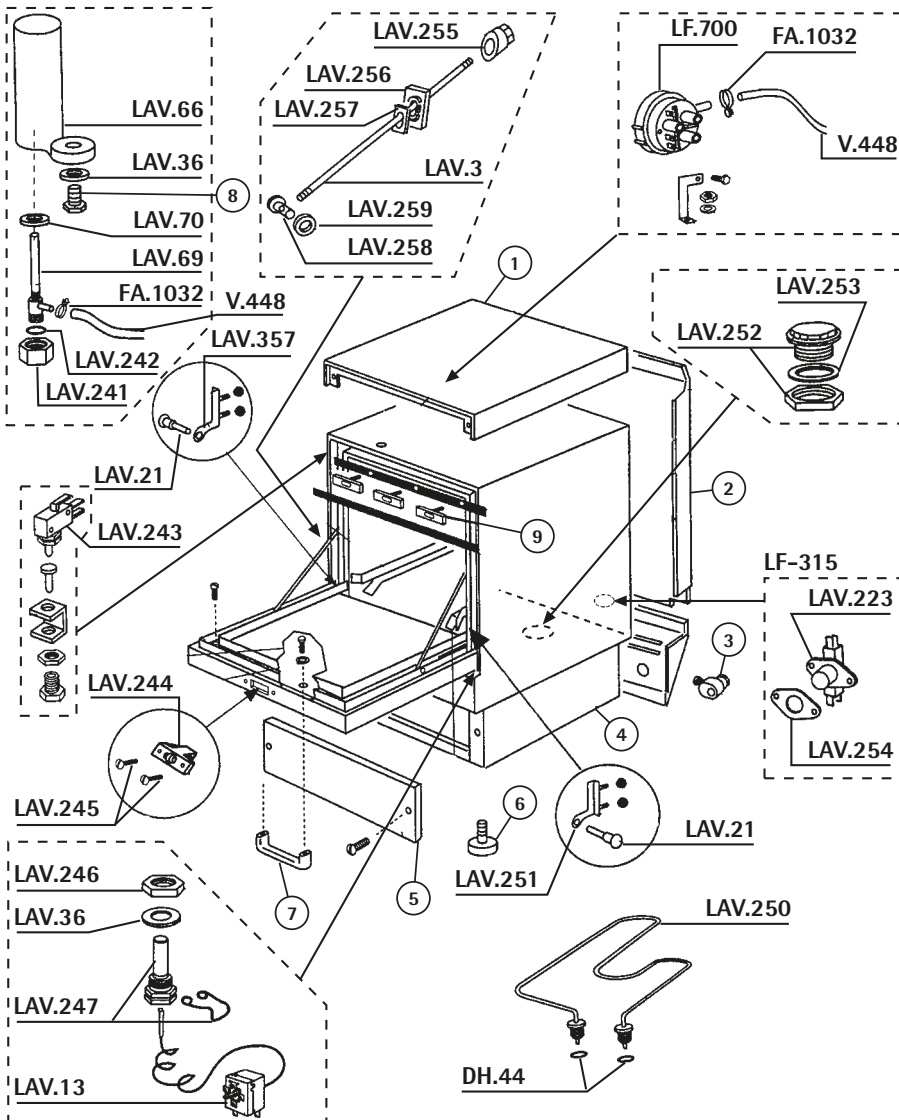
REF.	DESCRIPCIÓN	DESCRIPTION
ARI.96	TAPON GIRATORIO ACLARADO	CLEAR REVOLVING ARM CAP
AS..60	TORICA GOMA EPDM	RUBBER RING
DH.117	ABRAZADERA 46-70	46-70 CLAMP
H25714	TORNILLO INOX	INOX SCREW
H31014	TORICA CIERRE	CLOSING RING
LAV.13	TERMOSTATO CALDERIN 90°	90° BOILER THERMOSTAT
LAV.38	PLACA	PLATE
LAV.73	GIRAT ACLAR.F45/55/65/80	F-45/55/65/80 GIRATORY
LAV.74	RESIST.CALDERIN 3200W 230V	3200W 230V BOILER RESISTANCE
LAV.75	CALDERIN F-20	F-20 BOILER
LAV.76	CALDERIN F-45 A F-80	F-45 TO F-80 BOILER
LAV.77	RESIST.CALDERIN 3000W 230V	3000W 230V BOILER RESISTANCE
LAV.78	RESIST.CALDERIN 4200 W 230V	4200W 230V BOILER RESISTANCE
LAV.79	TAPA RESISTENCIA	RESISTANCE LID
LAV.80	TERMOSTATO SEGURIDAD 110°	110° SAFETY THERMOSTAT
LAV.81	MANGUIT.ASPIRACION F20/55	F-20/55 SUCTION SLEEVE
LAV.82	MANGUIT.ASPIRACION F45/65	F45/65 SUCTION SLEEVE
LAV.83	MANGUITO ASPIRACION F-80	F-80 SUCTION SLEEVE
LAV.84	MANGUITO IMPULSION F-20	F-20 IMPULSE SLEEVE
LAV.85	T DE CONEXION	CONECTION T
LAV.86	FILTRO ENTRADA AGUA	INLET FILTER
LAV.120	DOSIFICADOR ABRILLANTADOR	RINSE AID DOSIMETER
LAV.141	TUBO GIRATORIO	ROTATING PIPE
LAV.158	DEPOSITO ABRILLANTADOR	RINSE AID CONTAINER
LAV.180	MANGUITO F45/65/80	F45/65/80 SLEEVE
LAV.191	GUIA CRUZ LAVADO	WASHING CROSS GUIDE
LAV.192	RACOR LAVADO CIEGO	BLIND WASHING FITTING
LAV.193	RACOR ACLARADO	RINSE FITTING
LAV.194	RACOR LAVADO	WASHING FITTING
LAV.195	RACOR ACLARADO CIEGO	BLIND CLEAR FITTING
LAV.205	RACOR CONEXION ACLARADO	RINSE CONNECTION FITTING
LAV.234	SALIDAS LAVADO IZQUIERDA	LEFT WASHING TIP
LAV.237	TORICA GOMA	RING
LAV.312	MANGUITO F-55	F-55 SLEEVE
LR..15	TERMOSTATO CUBA 90°	90° TANK THERMOSTAT
V..62	ABRAZADERA 12-20	12-20 CLAMP
V..68	ABRAZADERA 32-50	32-50 CLAMP
V..133	ELECTROVAL.2 VIA LAV.220V	WASH 2 WAYS 220V SOLENOID
V..135	ELECTR.1 VIA SAL.VERTICAL	VERTICAL EXIT 1 WAY SOLEN
V..198	MANDO TERMOSTATO 90°	90° THERMOSTAT HANDLE
V..415	TOMA LAVADORA 1.5M	QUALITY 1.5M.INLET W.FLEX
V..815	TOMA LAVADORA 2 METROS	2 MT.INLET WATER FLEXIBLE
V..846	BOBINA ELECTROV.220/240V	220/240V SOLENOID COIL
V..848	TOMA LAVADORA 1.5M INOX	INOX 1.5M INLET WATER FL.
V..849	TOMA LAV.INOX 2MT.3/4X3/4	INOX 2MT.INLET WATER FLE.
V..861	TUBO GOMA 12X22mm 20ATM	20ATM 12X22mm RUBBER PIPE
WL2160	TAPON GOMA	RUBBER CAP
WL3321	SALIDAS LAVADO DERECHA	RIGHT WASHING TIP
WL3325	SALIDAS ACLARADO SUP.	UPPER CLEAT TIP
WL3380	TAPON CON PUNTA	CAP





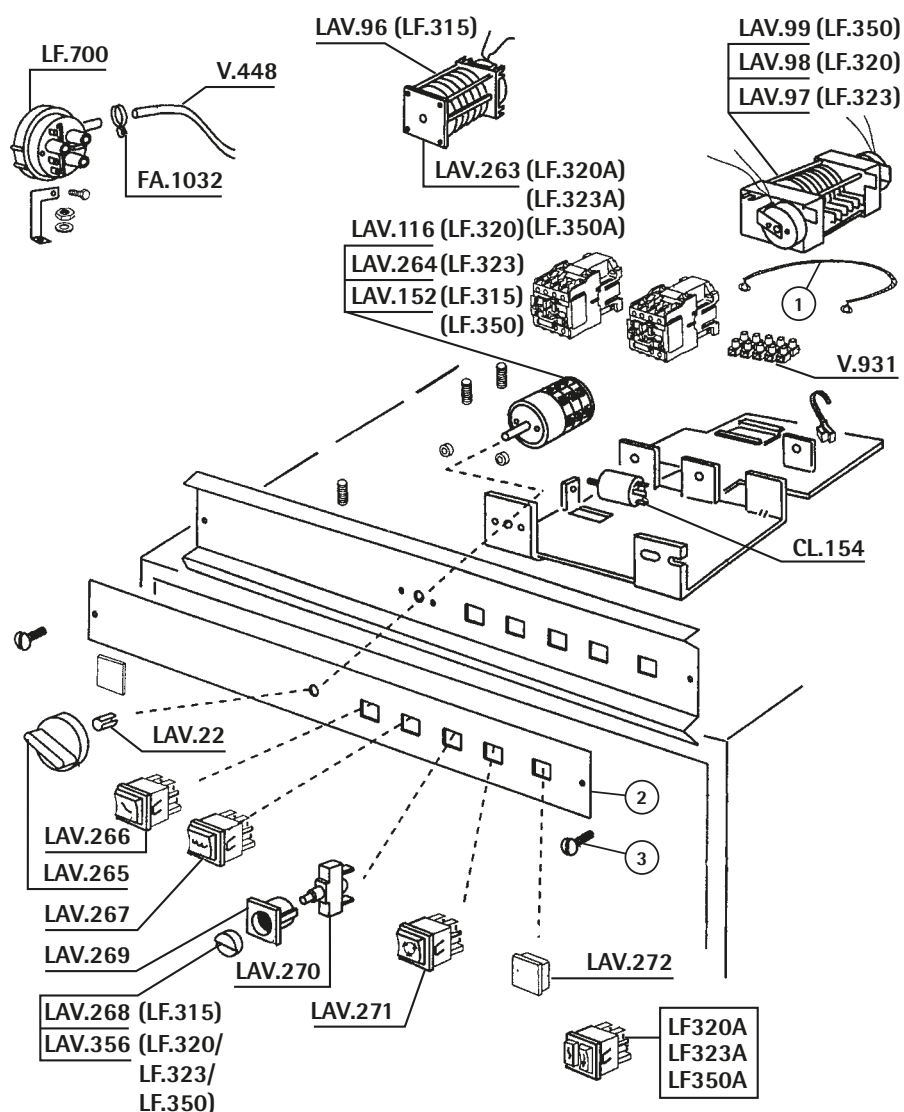
REF.	DESCRIPCIÓN	DESCRIPTION
F.598	CONDENSADOR 8 MF.220V	220V 8MF CONDENSER
H26192	RETEN EJE BOMBA	MECHANICAL SEAL
H33181	RETEN BOMBA	MECHANICAL SEAL
LAV202	TAPA MOTOR F-20/45/55/65	F20/45/55/65 MOTOR LID
LAV207	TAPA BOMBA F-80	F80 MOTOR LID
LAV215	JUNTA CORCHO F20/45/55/65	F20/45/55/65 CORK GASKET
LAV216	TURBINA MOTOR F-20/F-45	F-20/F-45 MOTOR TURBINE
LAV219	JUNTA TAPA MOTOR GOMA	MOTOR LID RUBBER GASKET
LAV220	TURBINA MOTOR F-80	F-80 MOTOR TURBINE
LAV225	MOTOR 0.6HP 220V F55/60	F55/60 0.6HP 220V MOTOR
LAV226	MOTOR 1 Hp F-80/C-75/C-85	1 HP F-80/C-75/C-85 MOTOR
V...55	CONDENSADOR 10 MF 220V	220V 10MF.CONDENSER
V...56	CONDENSADOR 12,5 MF 220V	12,5MF 220V CONDENSER

Carrocería / Cuba LF-315 / LF-320 / LF-323 ■ LF-315 / LF-320 / LF323 Tank / Bodywork

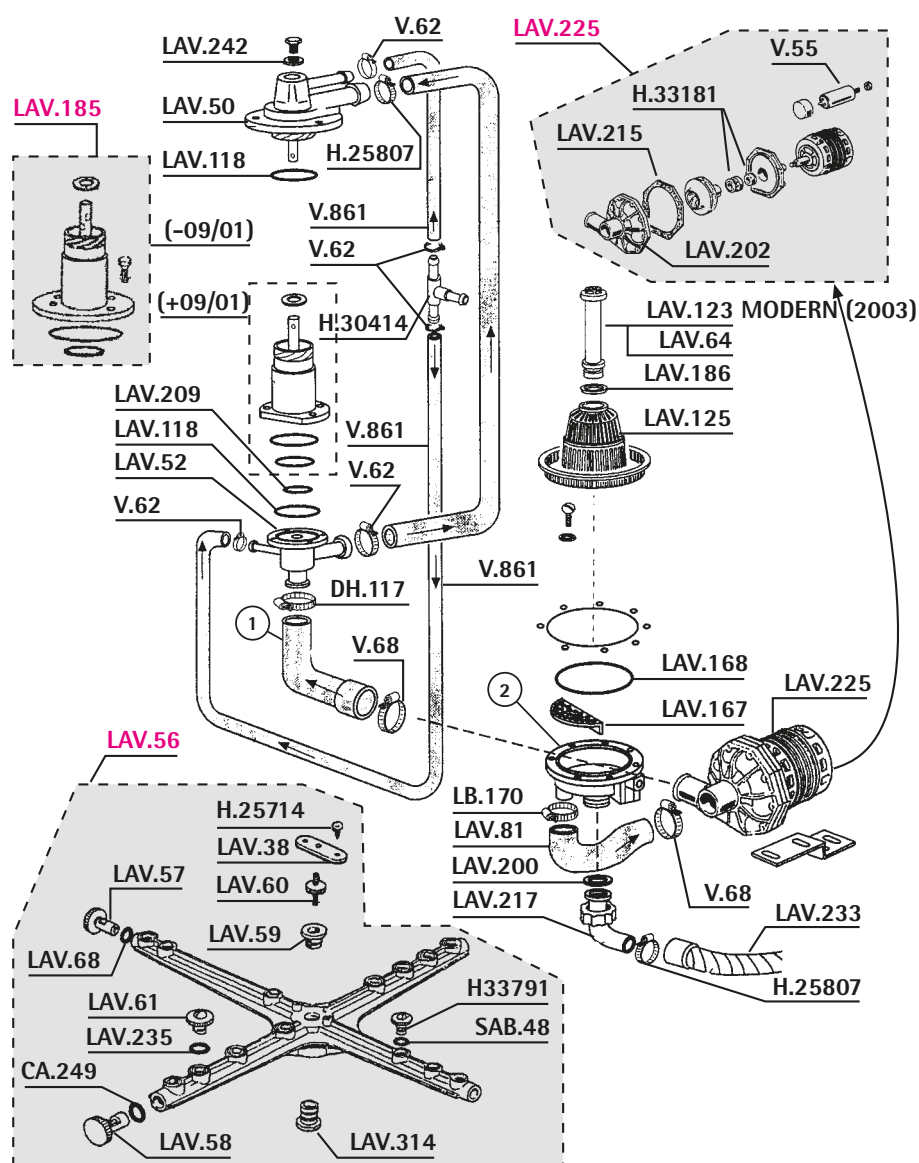


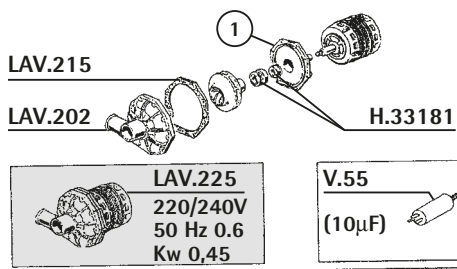
REF.	DESCRIPCIÓN	DESCRIPTION
DH.44	TORICA VITON	VITON RING
FA1032	BRIDA	CLASP
LAV.3	EJE PUERTA LF-315	LF-315 DOOR ROD
LAV.13	TERMOSTATO CALDERIN 90°	90° BOILER THERMOSTAT
LAV.21	PERNO BISAGRA	HINGE BOLT
LAV.36	JUNTA ALIMENTARIA	ALIMENTARY GASKET
LAV.66	CAMARA PRESOSTATICA	PRESSURE SWITCH CHAMBER
LAV.69	TUBO CAMARA PRESOSTATICA	PRESURE SWITCH PIPE
LAV.70	JUNTA GOMA	RUBBER GASKET
LAV223	TERMOSTATO CUBA B11/12	B-11/12 TANK THERMOSTAT
LAV241	TUERCA PLASTICO	NUT
LAV242	JUNTA GOMA	RUBBER GASKET
LAV243	MICROINTERRUPTOR	MICROSWITCH
LAV244	CIERRE PUERTA	CLOSING DOOR
LAV245	TORNILLO	SCREW
LAV246	TUERCA	NUT
LAV247	ALOJAMIENTO TERMOSTATO	THERMOSTAT LODGING
LAV250	RESISTENCIA 2000W 230V INOX	RESISTANCE 2000W 230V
LAV251	BISAGRA	HINGE
LAV252	TAPON CUBA	TANK CAP
LAV253	JUNTA TAPON	CAP GASKET
LAV254	JUNTA TERMOSTATO	THERMOSTAT GASKET
LAV255	CASQUILLO EJE PUERTA	DOOR ROD COP
LAV256	PASADOR RECTANGUL.GRANDE	BIG SQUARE PIN
LAV257	PASADOR RECTANGULAR PEQ.	SMALL SQUARE PIN
LAV258	TUERCA	NUT
LAV259	JUNTA NYLON	NYLON GASKET
LAV357	BISAGRA	HINGE
LF.700	PRESOSOTATO SAL/HOR.80/50	50/80 HORIZ.PRESS SWITCH
V.448	TUBO PRESOSTATO-METRO 4X6	4X6 PRE.SWITCH INLET PIPE

REF.	DESCRIPCIÓN	DESCRIPTION
CL.154	FILTRO ANTIPARASITARIO	ANTIPARASITIC FILTER
FA1032	BRIDA	CLASP
LAV.22	ANILLO ELASTICO	ELASTIC RING
LAV.96	TEMPORIZADOR F-45 4 MICROS	4 TOOTH F-45 TIMER
LAV.97	TEMPORIZADOR DOBLE F-55	F-55 DOUBLE TIMER
LAV.98	TEMPORIZADOR DOBLE F-65	F-65 DOUBLE TIMER
LAV.99	TEMPORIZADOR F-80	F-80 TIMER
LAV116	INTERRUPTOR GENERAL F-20	F-20 GENERAL SWITCH
LAV152	INTERRUPTOR GENERAL F-45	F-45 GENERAL SWITCH
LAV263	PROGRAMADOR 20 MIN	20 MIN TIMER
LAV264	INTERRUPTOR GENERAL	GENERAL SWITCH
LAV265	POMO INTERRUPTOR	SWITCH HANDLE
LAV266	PILOTO VERDE	GREEN LAMP
LAV267	PILOTO VERDE	GREEN WARNING LAMP
LAV268	BOTON	BUTTON
LAV269	CARCASA PULSADORES	PUSH BUTTON BODYWORK
LAV270	PULSADOR	PUSH BUTTON
LAV271	PILOTO CICLO	LAMP
LAV272	TAPON	CAP
LAV356	TAPON	CAP
LF.700	PRESOSOTATO SAL/HOR.80/50	50/80 HORIZ.PRESS SWITCH
V..448	TUBO PRESOSTATO-METRO 4X6	4X6 PRE.SWITCH INLET PIPE
V..931	REGLETA 9 POLOS D.4,5MM	D.4,5mm 9 POLES CONNECT

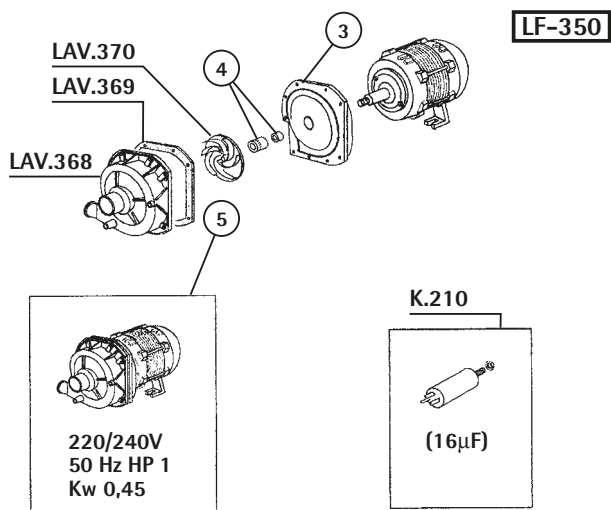
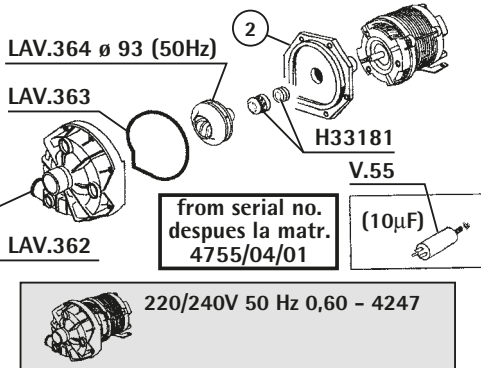


REF.	DESCRIPCIÓN	DESCRIPTION
CA.249	TORICA VALVULA	VALVE RING
DH.117	ABRAZADERA 46-70	46-70 CLAMP
H25714	TORNILLO INOX	INOX SCREW
H25807	ABRAZADERA 25-40	25-40 CLAMP
H30414	RACOR EMPALME	UNION FITTING
H33181	RETEN BOMBA	MECHANICAL SEAL
H33791	RACOR ACLARADO	CLEAR FITTING
LAV.38	PLACA	PLATE
LAV.50	SOPORTE ASPAS SUPERIOR	UPPER REEL SUPPORT
LAV.52	SOPORTE INFERIOR	LOWER SUPPORT
LAV.56	GIRATORIO LAVADO F45-F80	F-45/F-80 GYRATORY
LAV.57	TAPON GIRATORIO LAVADO	WASHING REVOLVING CAP
LAV.58	TAPON GIRATORIO LAVADO	WASHING REVOLVING CAP
LAV.59	CASQUILLO GIRATORIO	REVOLVING CAP
LAV.60	TORNILLO FIJAR GIRATORIO	SCREW
LAV.61	SURTIDOR LAVADO SERIE F	SERIE F WASHING SPRAY
LAV.68	TORICA GOMA EPDM	RUBBER RING
LAV.81	MANGUIT.ASPIRACION F20/55	F-20/55 SUCTION SLEEVE
LAV118	TORICA GOMA	RING
LAV123	SOBRENIVEL	OVERFLOW
LAV125	FILTRO CUBA	TANK FILTER
LAV167	FILTRO RESIDUOS	FILTER
LAV168	TORICA FILTRO	FILTER RING
LAV185	SOPORTE CRUZ LAVADO	WASHING CROSSHEAD SUPPORT
LAV186	COLLARIN	GASKET
LAV200	JUNTA ARBOL LAVADO GOMA	WASHING ARM RUBBER GASKET
LAV202	TAPA MOTOR F-20/45/55/65	F20/45/55/65 MOTOR LID
LAV209	TORICA SOPORTE GIRATORIO	SUPPORT RING
LAV215	JUNTA CORCHO F20/45/55/65	F20/45/55/65 CORK GASKET
LAV217	CODO DESAGÜE CAZOLETA	DRAIN ELBOW
LAV225	MOTOR 0.6HP 220V F55/60	F55/60 0.6HP 220V MOTOR
LAV233	TUBO DESAGÜE 35X27mm 1.5 MT	35X27mm 1.5MT OUTLET PIPE
LAV235	TORICA GOMA	RING
LAV242	JUNTA GOMA	RUBBER GASKET
LAV314	CASQUILLO INFERIOR	LOWER CAP
LB.170	ABRAZADERA 40-60	40-60 CLAMP
SAB.48	TORICA GOMA EPDM	RING
V..55	CONDENSADOR 10 MF 220V	220V 10MF.CONDENSER
V..62	ABRAZADERA 12-20	12-20 CLAMP
V..68	ABRAZADERA 32-50	35-50 CLAMP
V..861	TUBO GOMA 12X22mm 20ATM	20ATM 12X22mm RUBBER PIPE





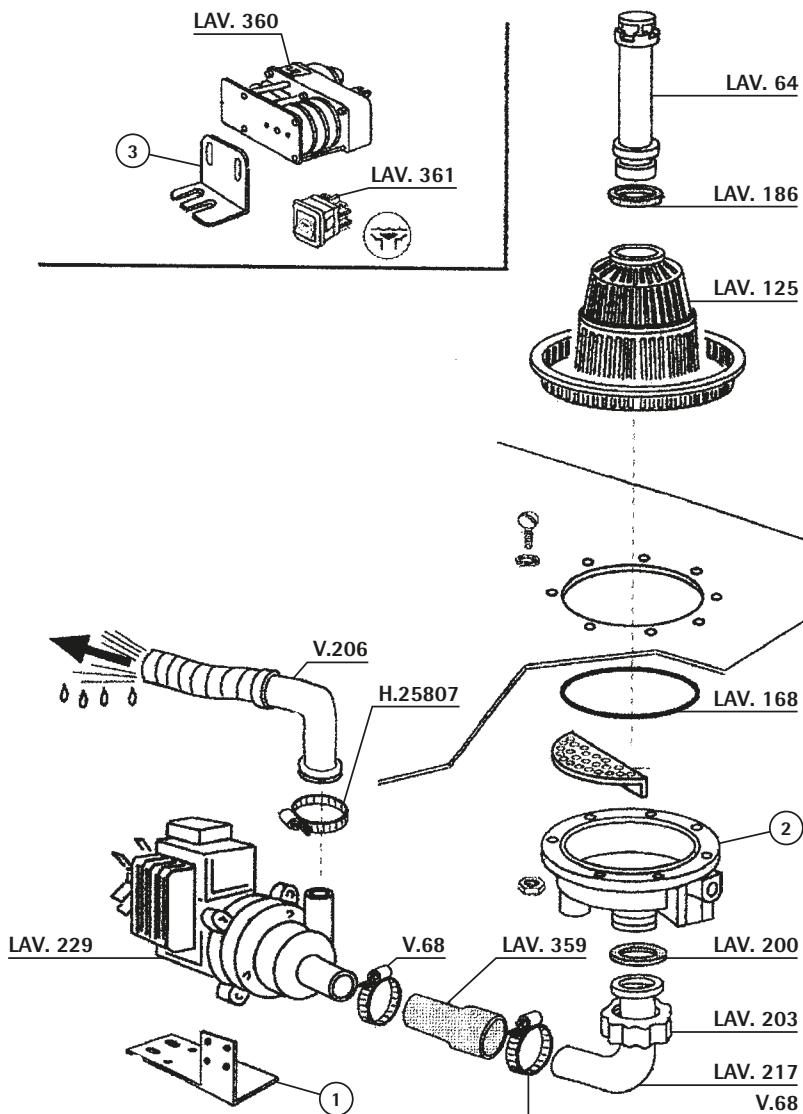
LF-315/LF-320/LF-323



LF-350

REF.	DESCRIPCIÓN	DESCRIPTION
H33181	RETEN BOMBA	MECHANICAL SEAL
K..210	CONDENSADOR 16 MF. 220V	16 MF. 220V CONDENSER
LAV202	TAPA MOTOR F-20/45/55/65	F20/45/55/65 MOTOR LID
LAV215	JUNTA CORCHO F20/45/55/65	F20/45/55/65 CORK GASKET
LAV225	MOTOR 0.6HP 220V F55/60	F55/60 0.6HP 220V MOTOR
LAV228	ARTICULO DADO DE BAJA	CANCEL
LAV362	TAPA MOTOR	MOTOR LID
LAV363	JUNTA MOTOR	MOTOR LID
LAV364	TURBINA	TURBINE
LAV368	TAPA MOTOR	MOTOR LID
LAV369	JUNTA MOTOR	MOTOR GASKET
LAV370	TURBINA MOTOR	MOTOR TURBINE
V...55	CONDENSADOR 10 MF 220V	220V 10MF.CONDENSER

Bomba Aclarado LF-315 / LF-320 / LF-323 / LF-350 ■ LF-315 / LF-320 / LF-323 / LF-350 Rinse pumps

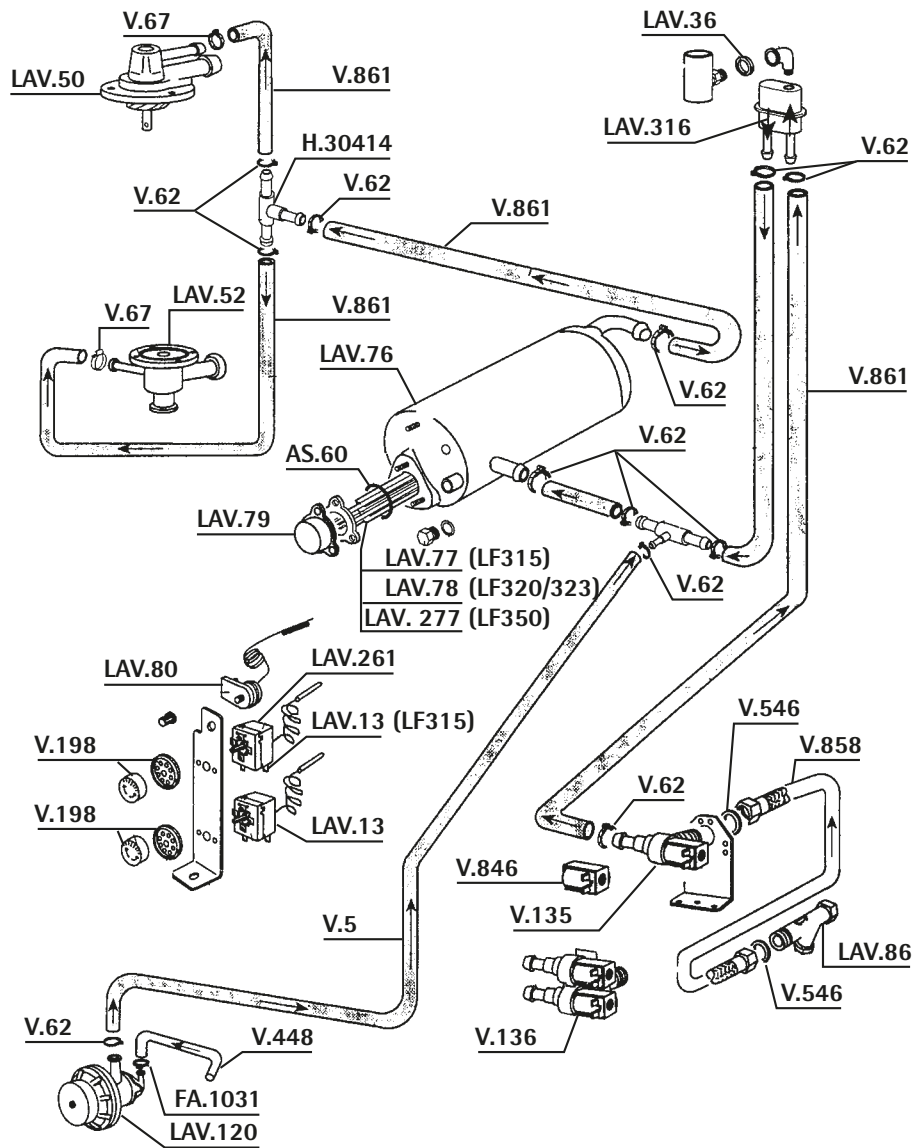


REF.	DESCRIPCIÓN	DESCRIPTION
H25807	ABRAZADERA 25-40	25-40 CLAMP
LAV.64	SOBRENIVEL BOMBA DESAGÜE	DRAIN PUMP OVERFLOW
LAV125	FILTRO CUBA	TANK FILTER
LAV168	TORICA FILTRO	FILTER RING
LAV186	COLLARIN	GASKET
LAV200	JUNTA ARBOL LAVADO GOMA	WASHING ARM RUBBER GASKET
LAV203	TUERCA CODO DESAGÜE	OUTLET ELBOW NUT
LAV217	CODO DESAGÜE CAZOLETA	DRAIN ELBOW
LAV229	BOMBA ACLARADO F-45 A F80	F-45 TO F80 PUMP
LAV359	MANGUITO	SLEEVE
LAV360	PROGRAMADOR 120 SEGUNDOS	120 SECONDS TIMER
LAV361	INTERRUPTOR	SWITCH
V..68	ABRAZADERA 32-50	35-50 CLAMP
V..206	TUBO DESAGÜE CON CODO	WITH ELBOW OUTLET PIPE

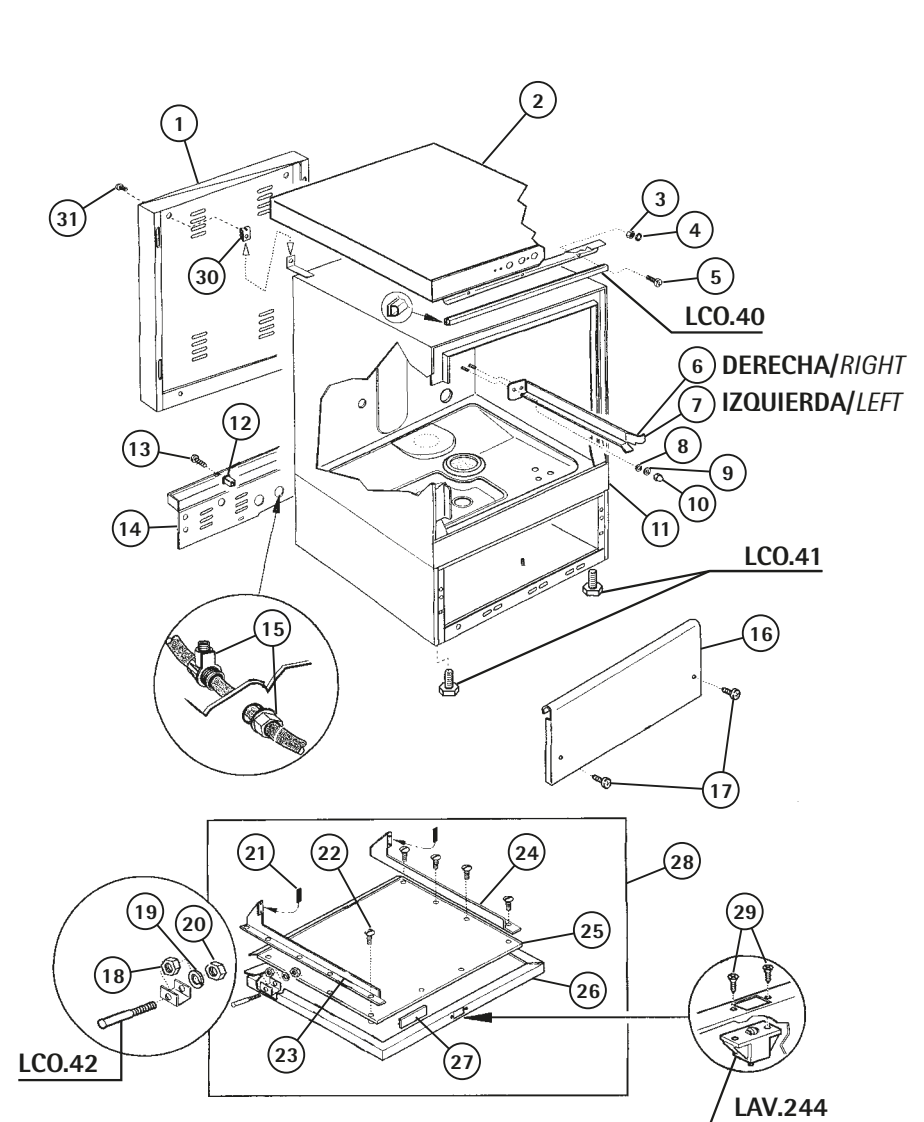
Order our free DVD, include all ours catalogues. More than 50.000 codes.

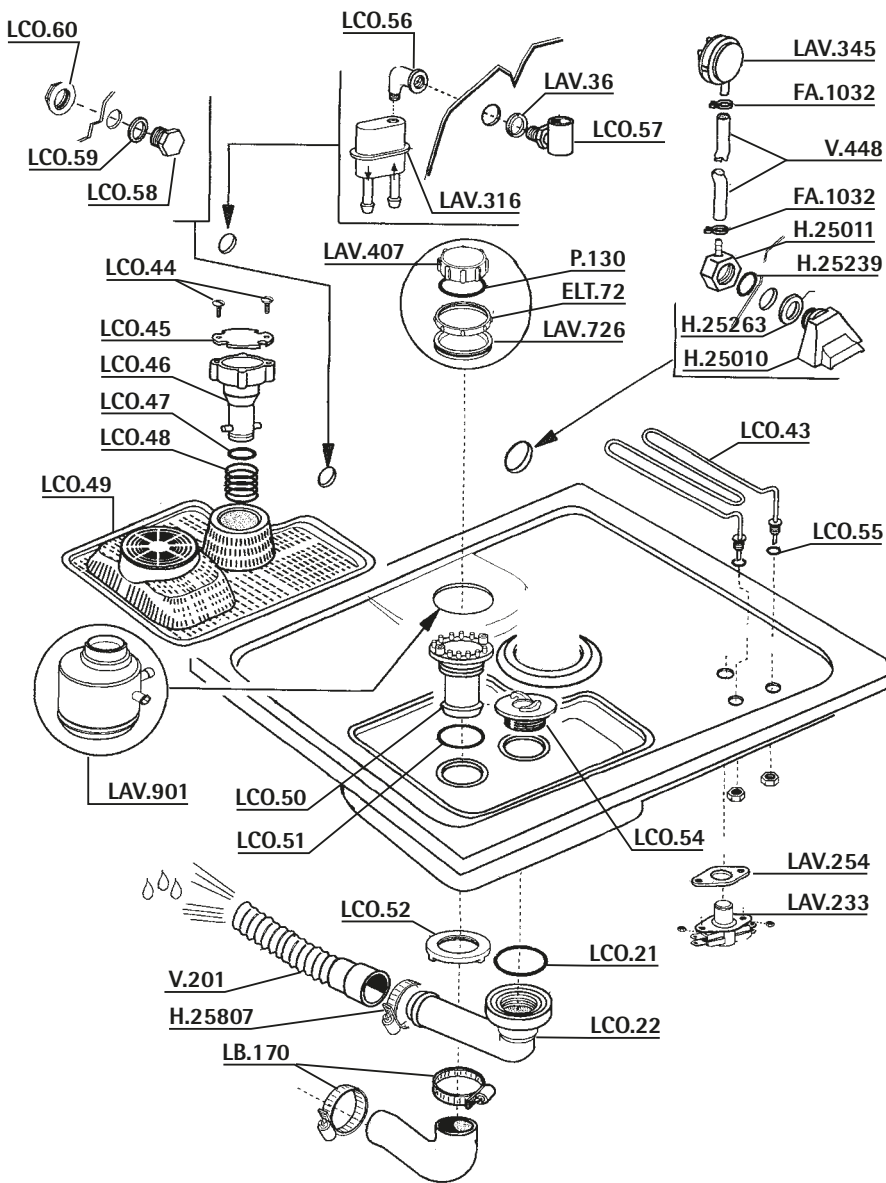


REF.	DESCRIPCIÓN	DESCRIPTION
AS..60	TORICA GOMA EPDM	RUBBER RING
FA1031	ABRAZADERA INOX 8-16	8-16 INOX CLAMP
H30414	RACOR EMPALME	UNION FITTING
LAV.13	TERMOSTATO CALDERIN 90°	90° BOILER THERMOSTAT
LAV.36	JUNTA ALIMENTARIA	ALIMENTARY GASKET
LAV.50	SOPORTE ASPAS SUPERIOR	UPPER REEL SUPPORT
LAV.52	SOPORTE INFERIOR	LOWER SUPPORT
LAV.76	CALDERIN F-45 A F-80	F-45 TO F-80 BOILER
LAV.77	RESIST.CALDERIN 3000W 230V	3000W 230V BOILER RESISTANCE
LAV.78	RESIST.CALDERIN 4200 W 230V	4200W 230V BOILER RESISTANCE
LAV.79	TAPA RESISTENCIA	RESISTANCE LID
LAV.80	TERMOSTATO SEGURIDAD 110°	110° SAFETY THERMOSTAT
LAV.86	FILTRO ENTRADA AGUA	INLET FILTER
LAV120	DOSIFICADOR ABRILLANTADOR	RINSE AID DOSIMETER
LAV261	TERMOSTATO CALDERIN	BOILER THERMOSTAT
LAV277	RESISTENCIA C75/C85/C140	RESISTANCE C75/C85/C140
LAV316	RACOR 3 VIAS	3 WAYS FITTING
V....5	TUBO GOMA 10X16 20 ATM	20ATM 10X17 RUBBER PIPE
V...62	ABRAZADERA 12-20	12-20 CLAMP
V...67	ABRAZADERA 16-27	16-27 CLAMP
V..135	ELECTR.1 VIA SAL.VERTICAL	VERTICAL EXIT 1 WAY SOLEN
V..136	ELECT.2 VIAS SAL.VERTICAL	VERTICAL EXIT 2 WAY SOLEN
V..198	MANDO TERMOSTATO 90°	90° THERMOSTAT HANDLE
V..448	TUBO PRESOSTATO-METRO 4X6	4X6 PRE.SWITCH INLET PIPE
V..546	JUNTA GOMA 3/4	WATER INLET RUBBER GASKET
V..846	BOBINA ELECTROV.220/240V	220/240V SOLENOID COIL
V..858	TOMA LAVADORA 1.5MT RECTA	STRAIGHT 1.5MT.INLET PIPE
V..861	TUBO GOMA 12X22mm 20ATM	20ATM 12X22mm RUBBER PIPE



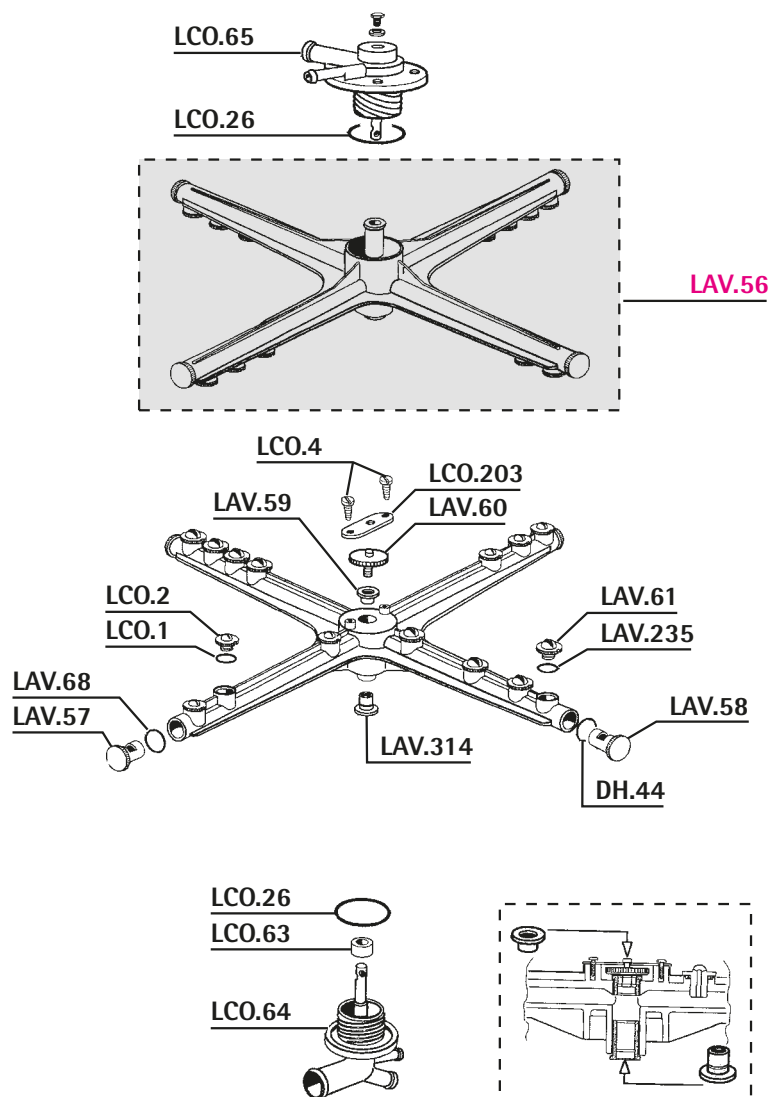
REF.	DESCRIPCIÓN	DESCRIPTION
LAV244	CIERRE PUERTA	CLOSING DOOR
LCO.40	JUNTA PUERTA	DOOR GASKET
LCO.41	PATA	FOOT
LCO.42	PASADOR	PIN





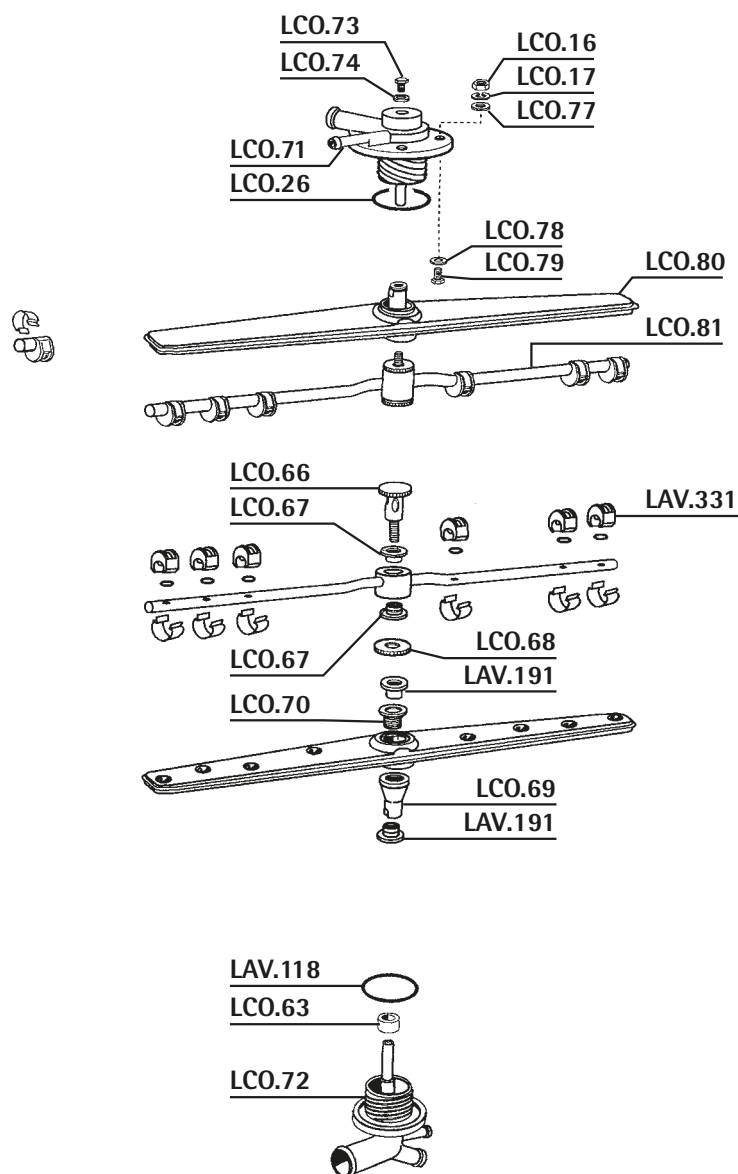
REF.	DESCRIPCIÓN	DESCRIPTION
ELT.72	RACOR DEPOSITO SAL	FITTING SALT CONTAINER
FA.1032	BRIDA	CLASP
H25010	CAMARA PRESOSTATICA	PRESSURE SWITCH CHAMBER
H25011	RACOR PLASTICO	FITTING
H25239	TORICA CIERRE	CLOSING RING
H25263	JUNTA CIERRE GOMA	CLOSING RUBBER GASKET
H25807	ABRAZADERA 25-40	25-40 CLAMP
LAV.36	JUNTA ALIMENTARIA	ALIMENTARY GASKET
LAV233	TUBO DESAGÜE 35X27mm 1.5 MT	35X27mm 1.5MT OUTLET PIPE
LAV254	JUNTA TERMOSTATO	THERMOSTAT GASKET
LAV316	RACOR 3 VIAS	3 WAYS FITTING
LAV345	PRESOSTATO	PRESSURE SWITCH
LAV407	TAPON DEPOSITO SAL	SALT TANK CAP
LAV726	JUNTA GOMA BOTELLA SAL	BOTTLE SALT RUBBER GASKET
LAV901	DEPOSITO SAL COMPLETO	SALT CONTAINER
LB.170	ABRAZADERA 40-60	40-60 CLAMP
LCO.21	JUNTA	GASKET
LCO.22	RACOR DESAGÜE	DRAIN FITTING
LCO.43	RESISTENCIA CUBA	TANK RESISTANCE
LCO.44	TORNILLO	SCREW
LCO.45	TAPA REBOSADERO	OVERFLOW COVER
LCO.46	REBOSADERO	OVERFLOW
LCO.47	JUNTA	GASKET
LCO.48	MUELLE	SPRING
LCO.49	FILTRO	FILTER
LCO.50	RACOR DESAGÜE	DRAIN FITTING
LCO.51	JUNTA RACOR DESAGÜE	DRAIN FITTING VINDAGE
LCO.52	TUERCA RACORD DESAGÜE	DRAIN FITTING NUT
LCO.54	TAPON	COVER
LCO.55	JUNTA RESISTENCIA	RESISTANCE GASKET
LCO.56	RACOR CODO	ELBOW FITTING
LCO.57	RACOR CODO	ELBOW FITTING
LCO.58	RACOR	FITTING
LCO.59	JUNTA	GASKET
LCO.60	TUERCA	NUT
P.130	TORICA EPDM	RING
V.201	TUBO DESAGÜE 28mm. 1,5mt.	28mm. 1.5mt OUTLET PIPE
V.448	TUBO PRESOSTATO-METRO 4X6	4X6 PRE.SWITCH INLET PIPE

Lavado / Aclarado LF-321 / LF-321A ■ LF-321 / LF-321A Rinse /Wash

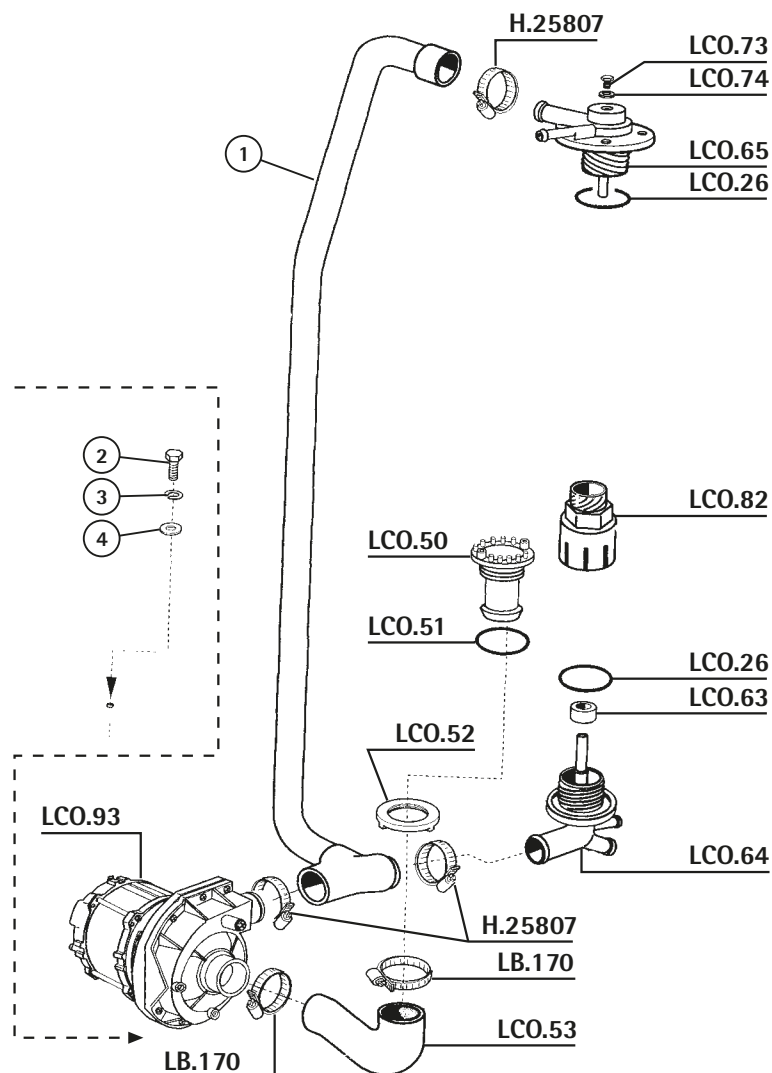


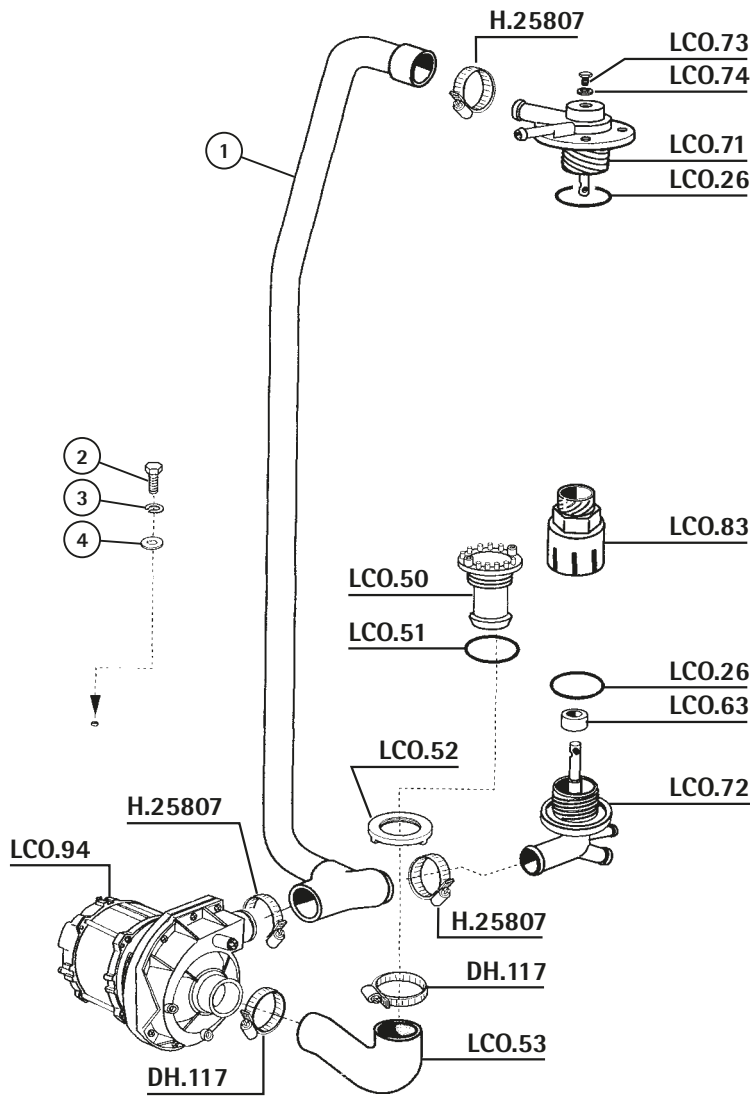
REF.	DESCRIPCIÓN	DESCRIPTION
DH.44	TORICA VITON	VITON RING
LAV.25	TUERCA	NUT
LAV.56	GIRATORIO LAVADO F45-F80	F-45/F-80 GYRATORY
LAV.57	TAPON GIRATORIO LAVADO	WASHING REVOLVING CAP
LAV.58	TAPON GIRATORIO LAVADO	WASHING REVOLVING CAP
LAV.59	CASQUILLO GIRATORIO	REVOLVING CAP
LAV.60	TORNILLO FIJAR GIRATORIO	SCREW
LAV.61	SURTIDOR LAVADO SERIE F	SERIE F WASHING SPRAY
LAV.68	TORICA GOMA EPDM	RUBBER RING
LAV.235	TORICA GOMA	RUBBER GASKET
LAV314	CASQUILLO INFERIOR	LOWER CAP
LCO..1	JUNTA GIRATORIO	GIRATORY GASKET
LCO..2	ROCIADOR	SPRAY
LCO..4	TORNILLO	SCREW
LCO.26	JUNTA	GASKET
LCO.63	CASQUILLO	CAP
LCO.64	DISTRIBUIDOR INFERIOR	LOWER DISTRIBUTOR
LCO.65	DISTRIBUIDOR SUPERIOR	UPPER DISTRIBUTOR
LCO203	REBOSADERO	OVERFLOW

REF.	DESCRIPCIÓN	DESCRIPTION
LAV118	TORICA GOMA	RING
LAV191	GUIA CRUZ LAVADO	WASHING CROSS GUIDE
LAV331	SURTIDOR ACLARADO	RINSE SPRAY
LC0.16	TUERCA	NUT
LC0.17	ARANDELA	WASHER
LC0.26	JUNTA	GASKET
LC0.63	CASQUILLO	CAP
LC0.66	TORNILLO	SCREW
LC0.67	CASQUILLO	CAP
LC0.68	TUERCA	NUT
LC0.69	SOPORTE	SUPPORT
LC0.70	RACOR	FITTING
LC0.71	COLECTOR SUPERIOR	UPPER COLLECTOR
LC0.72	COLECTOR INFERIOR	LOWER COLECTOR
LC0.73	TORNILLO COLECTOR	COLECTOR SCREW
LC0.74	ARANDELA	WASHER
LC0.77	ARANDELA	WASHER
LC0.78	ARANDELA	WASHER
LC0.79	TORNILLO	SCREW
LC0.80	GIRATORIO LAVADO	WASH GIRATORY
LC0.81	GIRATORIO ACLARADO	RINSE GIRATORY



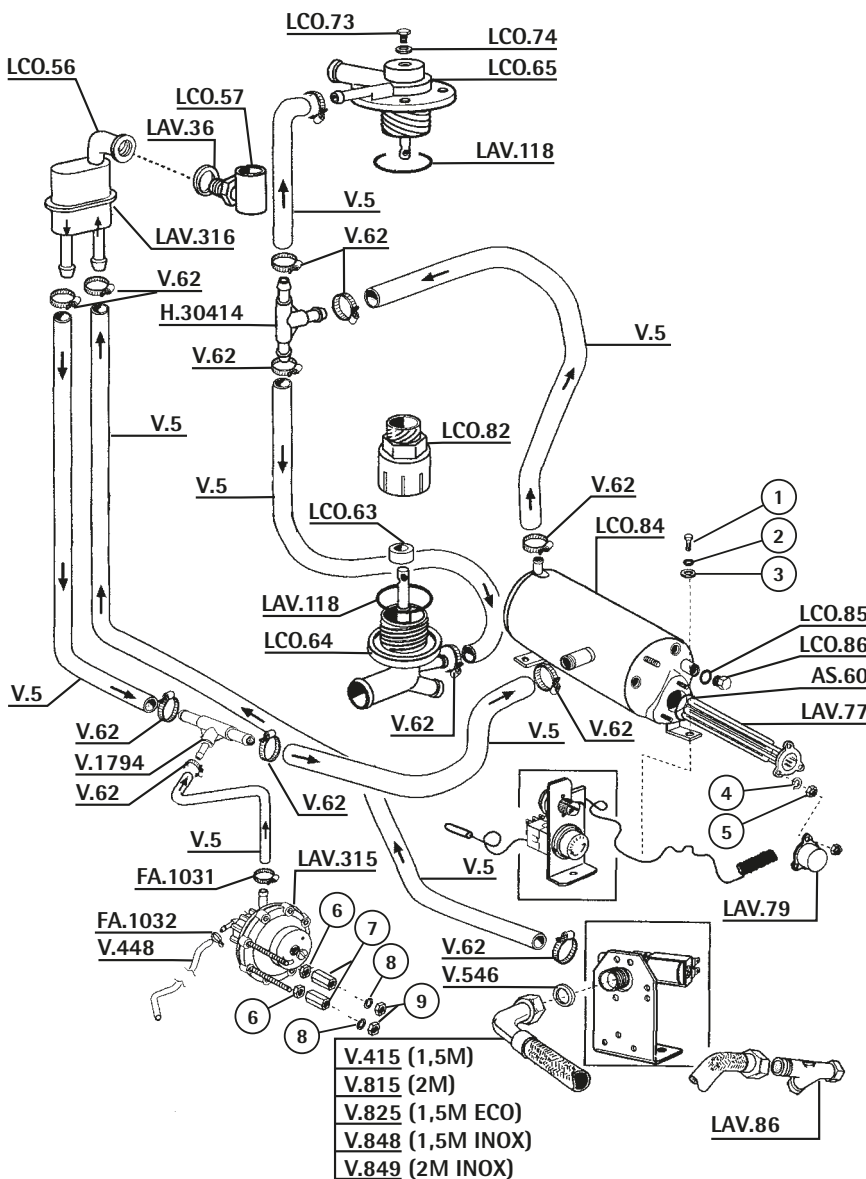
REF.	DESCRIPCIÓN	DESCRIPTION
H25807	ABRAZADERA 25-40	25-40 CLAMP
LB.170	ABRAZADERA 40-60	40-60 CLAMP
LC0.26	JUNTA	GASKET
LC0.50	RACOR DESAGÜE	DRAIN FITTING
LC0.51	JUNTA RACOR DESAGÜE	DRAIN FITTING VINDAGE
LC0.52	TUERCA RACORD DESAGÜE	DRAIN FITTING NUT
LC0.53	MANGUITO	SLEEVE
LC0.63	CASQUILLO	CAP
LC0.64	DISTRIBUIDOR INFERIOR	LOWER DISTRIBUTOR
LC0.65	DISTRIBUIDOR SUPERIOR	UPPER DISTRIBUTOR
LC0.73	TORNILLO COLECTOR	COLECTOR SCREW
LC0.74	ARANDELA	WASHER
LC0.82	RACOR	FITTING
LC0.93	MOTOR 0.45KW	0,45KW MOTOR





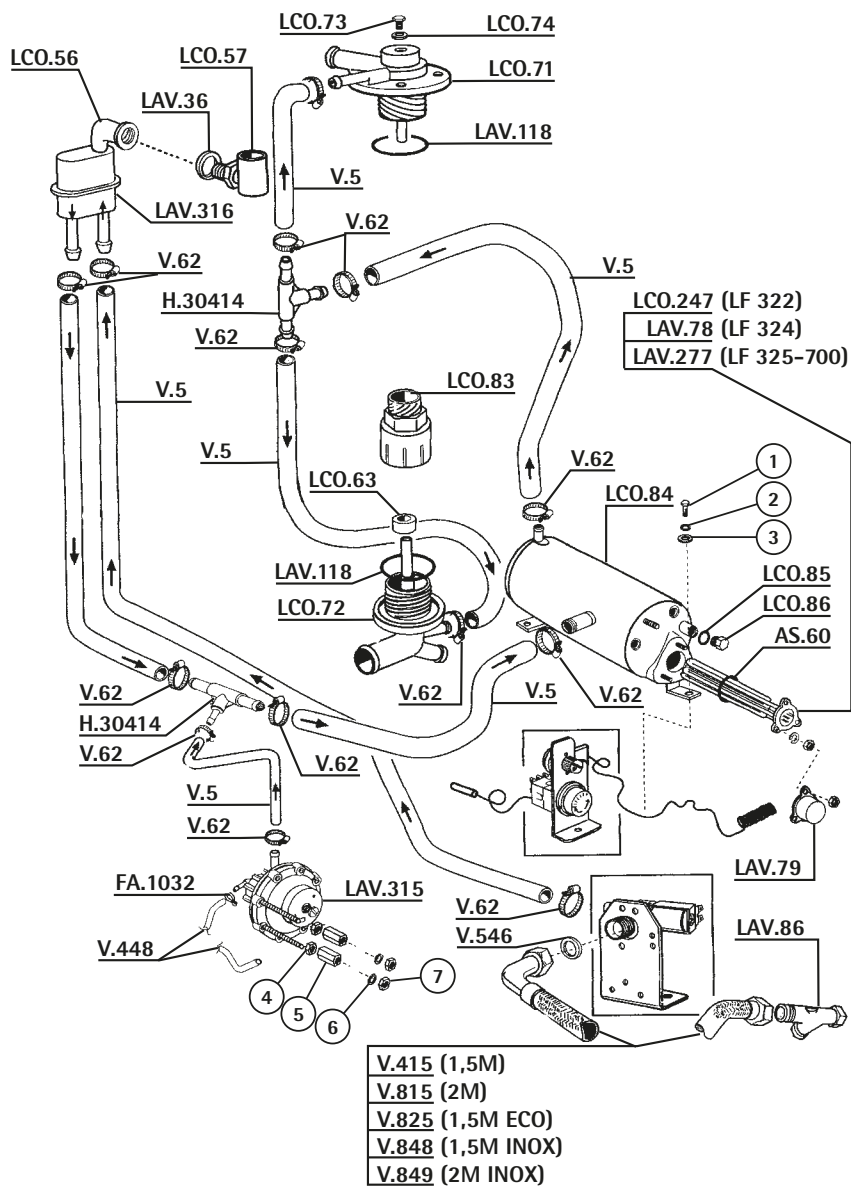
REF.	DESCRIPCIÓN	DESCRIPTION
DH.117	ABRAZADERA 46-70	46-70 CLAMP
H25807	ABRAZADERA 25-40	25-40 CLAMP
LCO.26	JUNTA	GASKET
LCO.50	RACOR DESAGÜE	DRAIN FITTING
LCO.51	JUNTA RACOR DESAGÜE	DRAIN FITTING VINDAGE
LCO.52	TUERCA RACORD DESAGÜE	DRAIN FITTING NUT
LCO.53	MANGUITO	SLEEVE
LCO.63	CASQUILLO	CAP
LCO.71	COLECTOR SUPERIOR	UPPER COLLECTOR
LCO.72	COLECTOR INFERIOR	LOWER COLLECTOR
LCO.73	TORNILLO COLECTOR	COLLECTOR SCREW
LCO.74	ARANDELA	WASHER
LCO.83	RACOR	FITTING
LCO.94	MOTOR 0,75KW	0,75KW MOTOR

Grupo aclarado LF-321 ■ LF-321 Rinse group

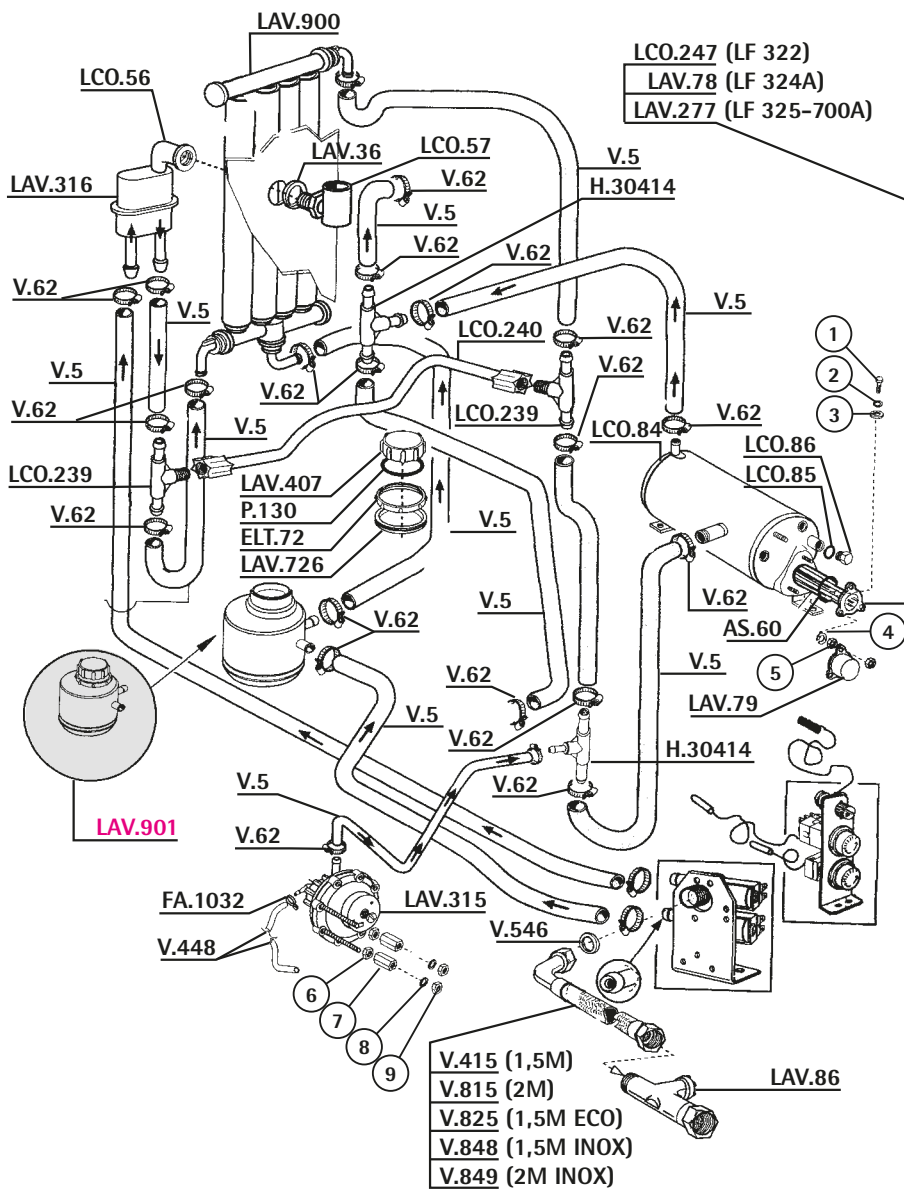


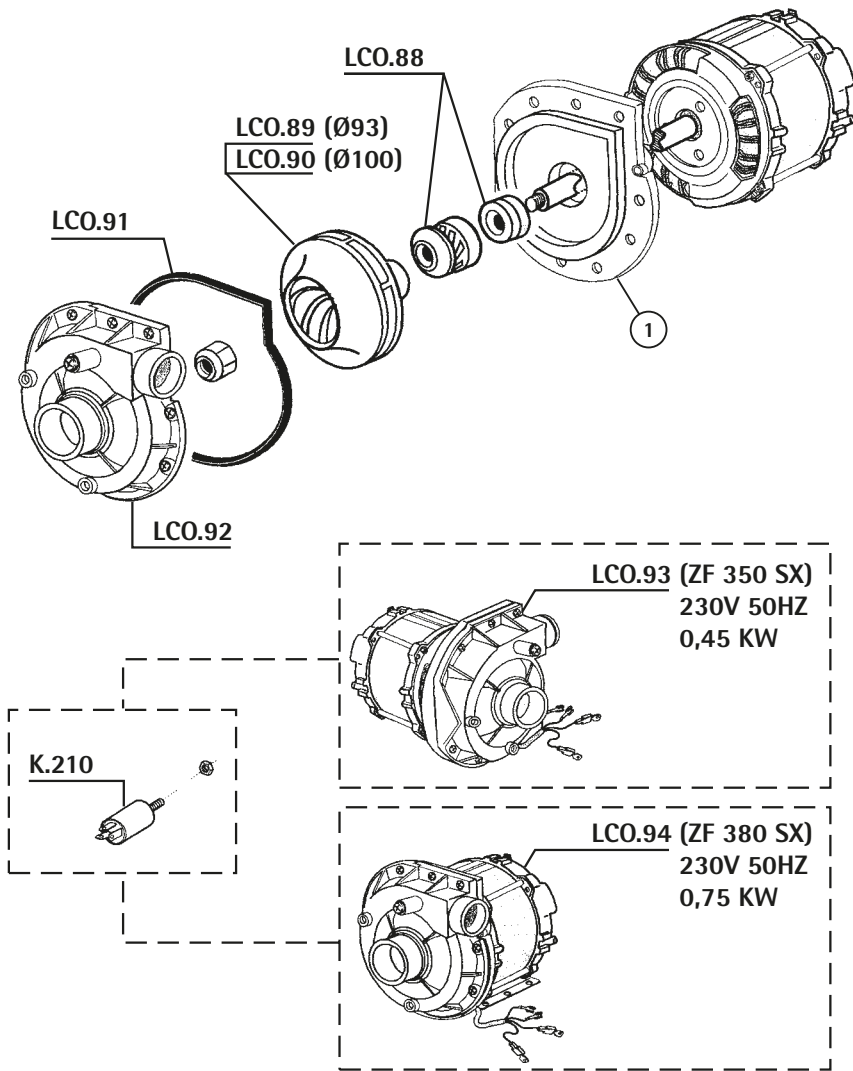
REF.	DESCRIPCIÓN	DESCRIPTION
AS..60	TORICA GOMA EPDM	RUBBER RING
FA1031	ABRAZADERA INOX 8-16	8-16 INOX CLAMP
FA1032	BRIDA	CLASP
H30414	RACOR EMPALME	UNION FITTING
LAV.36	JUNTA ALIMENTARIA	ALIMENTARY GASKET
LAV.77	RESIST.CALDERIN 3000W 230V	3000W 230V BOILER RESISTANCE
LAV.79	TAPA RESISTENCIA	RESISTANCE LID
LAV.86	FILTRO ENTRADA AGUA	INLET FILTER
LAV118	TORICA GOMA	RING
LAV315	DOSIFICADOR ABRILLANTADOR	RINSE AID DOSIMETER
LAV316	RACOR 3 VIAS	3 WAYS FITTING
LCO.56	RACOR CODO	ELBOW FITTING
LCO.57	RACOR CODO	ELBOW FITTING
LCO.63	CASQUILLO	CAP
LCO.64	DISTRIBUIDOR INFERIOR	LOWER DISTRIBUTOR
LCO.65	DISTRIBUIDOR SUPERIOR	UPPER DISTRIBUTOR
LCO.73	TORNILLO COLECTOR	COLLECTOR SCREW
LCO.74	ARANDELA	WASHER
LCO.82	RACOR	FITTING
LCO.84	CALDERIN LF321	LF321 BOILER
LCO.85	JUNTA	GASKET
LCO.86	RACOR	FITTING
V...5	TUBO GOMA 10X16 20 ATM	20ATM 10X17 RUBBER PIPE
V...62	ABRAZADERA 12-20	12-20 CLAMP
V.415	TOMA LAVADORA 1,5M	QUALITY 1.5M.INLET W.FLEX
V.448	TUBO PRESOSTATO-METRO 4X6	4X6 PRE.SWITCH INLET PIPE
V.546	JUNTA GOMA 3/4	WATER INLET RUBBER GASKET
V..815	TOMA LAVADORA 2 METROS	2 MT.INLET WATER FLEXIBLE
V..825	TOMA LAVADORA 1.5 "ECO"	"ECO"1.5M INLET WA.FLEXIB
V..848	TOMA LAVADORA 1.5M INOX	INOX 1.5M INLET WATER FL.
V..849	TOMA LAV.INOX 2MT.3/4X3/4	INOX 2MT.INLET WATER FLE.
V.1794	RACOR T 4x11mm	4x11mm T FITTING

REF.	DESCRIPCIÓN	DESCRIPTION
AS..60	TORICA GOMA EPDM	RUBBER RING
FA1032	BRIDA	CLASP
H30414	RACOR EMPALME	UNION FITTING
LAV.36	JUNTA ALIMENTARIA	ALIMENTARY GASKET
LAV.78	RESIST.CALDERIN 4200 W 230V	4200W 230V BOILER RESISTANCE
LAV.79	TAPA RESISTENCIA	RESISTANCE LID
LAV.86	FILTRO ENTRADA AGUA	INLET FILTER
LAV118	TORICA GOMA	RING
LAV277	RESISTENCIA C75/C85/C140	RESISTANCE C75/C85/C140
LAV315	DOSIFICADOR ABRILLANTADOR	RINSE AID DOSIMETER
LAV316	RACOR 3 VIAS	3 WAYS FITTING
LAV477	MANGUITO	SLEEVE
LCO.56	RACOR CODO	ELBOW FITTING
LCO.57	RACOR CODO	ELBOW FITTING
LCO.63	CASQUILLO	CAP
LCO.71	COLECTOR SUPERIOR	UPPER COLECTOR
LCO.72	COLECTOR INFERIOR	LOWER COLECTOR
LCO.73	TORNILLO COLECTOR	COLECTOR SCREW
LCO.74	ARANDELA	WASHER
LCO.83	RACOR	FITTING
LCO.84	CALDERIN LF321	LF321 BOILER
LCO.85	JUNTA	GASKET
LCO.86	RACOR	FITTING
LCO247	RESISTENCIA LF322	LF322 RESISTANCE
V....5	TUBO GOMA 10X16 20 ATM	20ATM 10X17 RUBBER PIPE
V...62	ABRAZADERA 12-20	12-20 CLAMP
V.415	TOMA LAVADORA 1,5M	QUALITY 1.5M.INLET W.FLEX
V.448	TUBO PRESOSTATO-METRO 4X6	4X6 PRE.SWITCH INLET PIPE
V.546	JUNTA GOMA 3/4	WATER INLET RUBBER GASKET
V.815	TOMA LAVADORA 2 METROS	2 MT.INLET WATER FLEXIBLE
V.825	TOMA LAVADORA 1.5 "ECO"	"ECO"1.5M INLET WA.FLEXIB
V.848	TOMA LAVADORA 1.5M INOX	INOX 1.5M INLET WATER FL.
V.849	TOMA LAV.INOX 2MT.3/4X3/4	INOX 2MT.INLET WATER FLE.



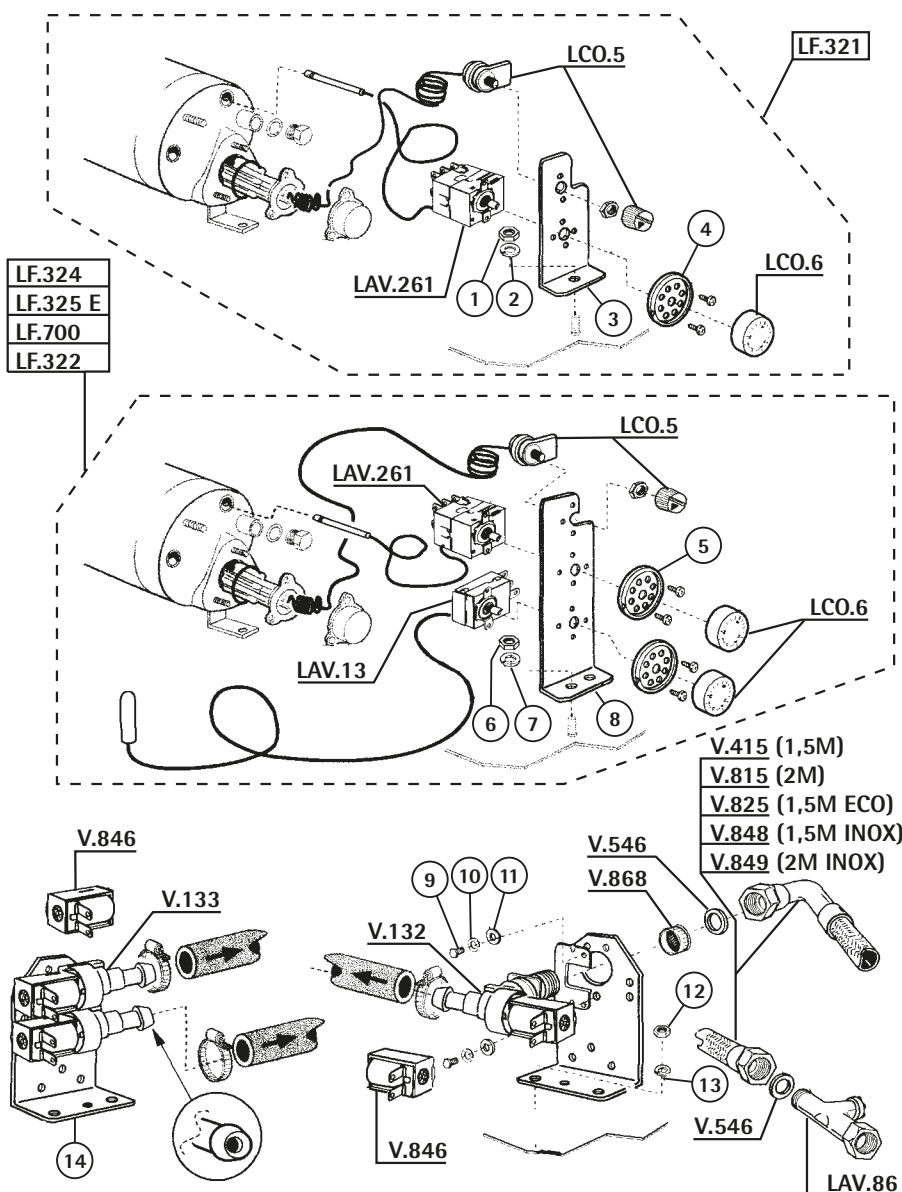
REF.	DESCRIPCIÓN	DESCRIPTION
AS..60	TORICA GOMA EPDM	RUBBER RING
ELT.72	RACOR DEPOSITO SAL	FITTING SALT CONTAINER
FA1032	BRIDA	CLASP
H30414	RACOR EMPALME	UNION FITTING
LAV.36	JUNTA ALIMENTARIA	ALIMENTARY GASKET
LAV.78	RESIST.CALDERIN 4200 W 230V	4200W 230V BOILER RESISTANCE
LAV.79	TAPA RESISTENCIA	RESISTANCE LID
LAV.86	FILTRO ENTRADA AGUA	INLET FILTER
LAV277	RESISTENCIA C75/C85/C140	RESISTANCE C75/C85/C140
LAV315	DOSIFICADOR ABRILLANTADOR	RINSE AID DOSIMETER
LAV316	RACOR 3 VIAS	3 WAYS FITTING
LAV407	TAPON DEPOSITO SAL	SALT TANK CAP
LAV477	MANGUITO	SLEEVE
LAV726	JUNTA GOMA BOTELLA SAL	BOTTLE SALT RUBBER GASKET
LAV900	DEPURADOR LAVATAZAS	WASHING CUP PURIFIER
LAV901	DEPOSITO SAL COMPLETO	SALT CONTAINER
LCO.56	RACOR CODO	ELBOW FITTING
LCO.57	RACOR CODO	ELBOW FITTING
LCO.84	CALDERIN LF321	LF321 BOILER
LCO.85	JUNTA	GASKET
LCO.86	RACOR	FITTING
LCO239	T EMPALME	T ASSEMBLY
LCO240	TUBO EMPALME	PIPE
LCO247	RESISTENCIA LF322	LF322 RESISTANCE
P.130	TORICA EPDM	RING
V....5	TUBO GOMA 10X16 20 ATM	20ATM 10X17 RUBBER PIPE
V...62	ABRAZADERA 12-20	12-20 CLAMP
V.415	TOMA LAVADORA 1,5M	QUALITY 1.5M.INLET W.FLEX
V.448	TUBO PRESOSTATO-METRO 4X6	4X6 PRE.SWITCH INLET PIPE
V.546	JUNTA GOMA 3/4	WATER INLET RUBBER GASKET
V.815	TOMA LAVADORA 2 METROS	2 MT.INLET WATER FLEXIBLE
V.825	TOMA LAVADORA 1.5 "ECO"	"ECO"1.5M INLET WA.FLEXIB
V.848	TOMA LAVADORA 1.5M INOX	INOX 1.5M INLET WATER FL.
V.849	TOMA LAV.INOX 2MT.3/4X3/4	INOX 2MT.INLET WATER FLE.





REF.	DESCRIPCIÓN	DESCRIPTION
K..210	CONDENSADOR 16 MF. 220V	16 MF. 220V CONDENSER
LCO.88	RETEN MOTOR	MECHANICAL SEAL
LCO.89	TURBINA DIAM. 93	93 DIAM TURBINE
LCO.90	TURBINA 100 DIAM.	100 DIAM TURBINE
LCO.91	JUNTA MOTOR	MOTOR GASKET
LCO.92	TAPA MOTOR	MOTOR LID
LCO.93	MOTOR 0,45KW	0,45KW MOTOR
LCO.94	MOTOR 0,75KW	0,75KW MOTOR

Termostatos / Electroválvulas LF-321 / LF-322 / LF-324 / LF-325 / LF-700 ■ LF-321 / LF-322 / LF-324 / LF-325 / LF-700 Electrovalves / Thermostats

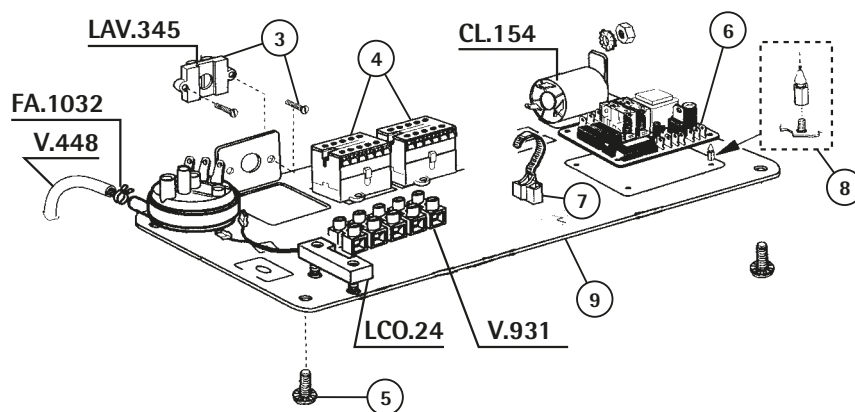
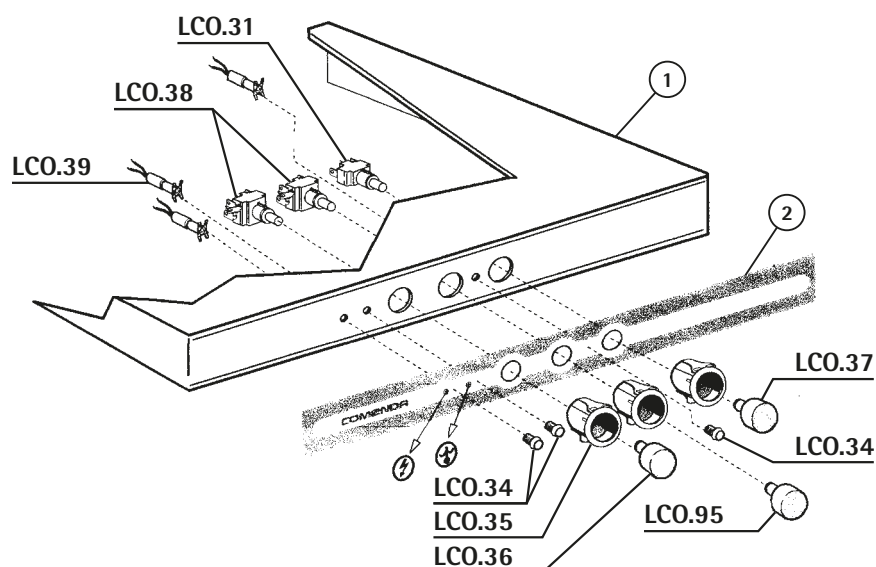


REF.	DESCRIPCIÓN	DESCRIPTION
LAV.13	TERMOSTATO CALDERIN 90°	90° BOILER THERMOSTAT
LAV.86	FILTRO ENTRADA AGUA	INLET FILTER
LAV261	TERMOSTATO CALDERIN	BOILER THERMOSTAT
LCO..5	TERMOSTATO	THERMOSTAT
LCO..6	MANDO	KNOB
V..132	ELECTROVALV.1 VIA LAV.220V	WASH 1 WAY 220V SOLENOID
V..133	ELECTROVALV.2 VIA LAV.220V	WASH 2 WAYS 220V SOLENOID
V..415	TOMA LAVADORA 1,5M	QUALITY 1.5M.INLET W.FLEX
V..546	JUNTA GOMA 3/4	WATER INLET RUBBER GASKET
V..815	TOMA LAVADORA 2 METROS	2 MT.INLET WATER FLEXIBLE
V..825	TOMA LAVADORA 1.5 "ECO"	"ECO"1.5M INLET WA.FLEXIB
V..846	BOBINA ELECTROV.220/240V	220/240V SOLENOID COIL
V..848	TOMA LAVADORA 1.5M INOX	INOX 1.5M INLET WATER FL.
V..849	TOMA LAV.INOX 2MT.3/4X3/4	INOX 2MT.INLET WATER FLE.
V..868	FILTRO TOMA LAVADORA 3/4	INLET WATER FILTER

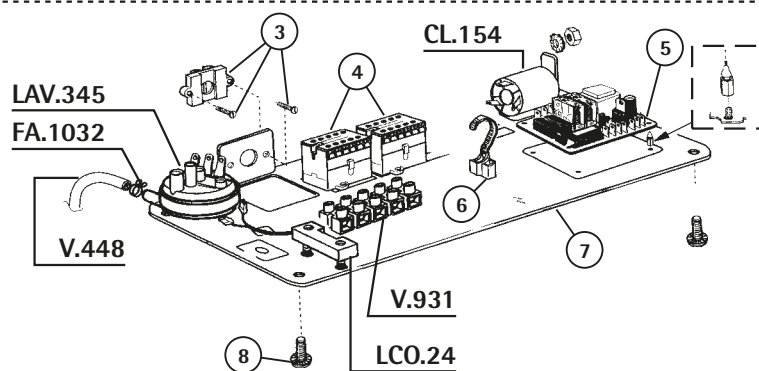
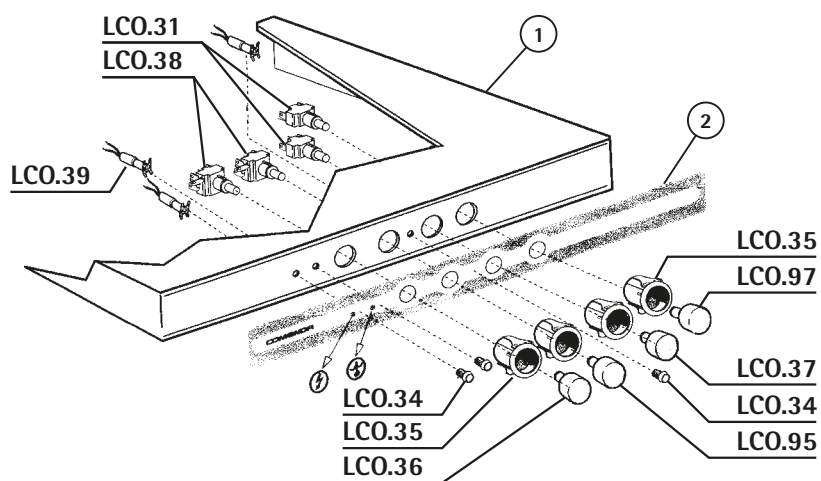


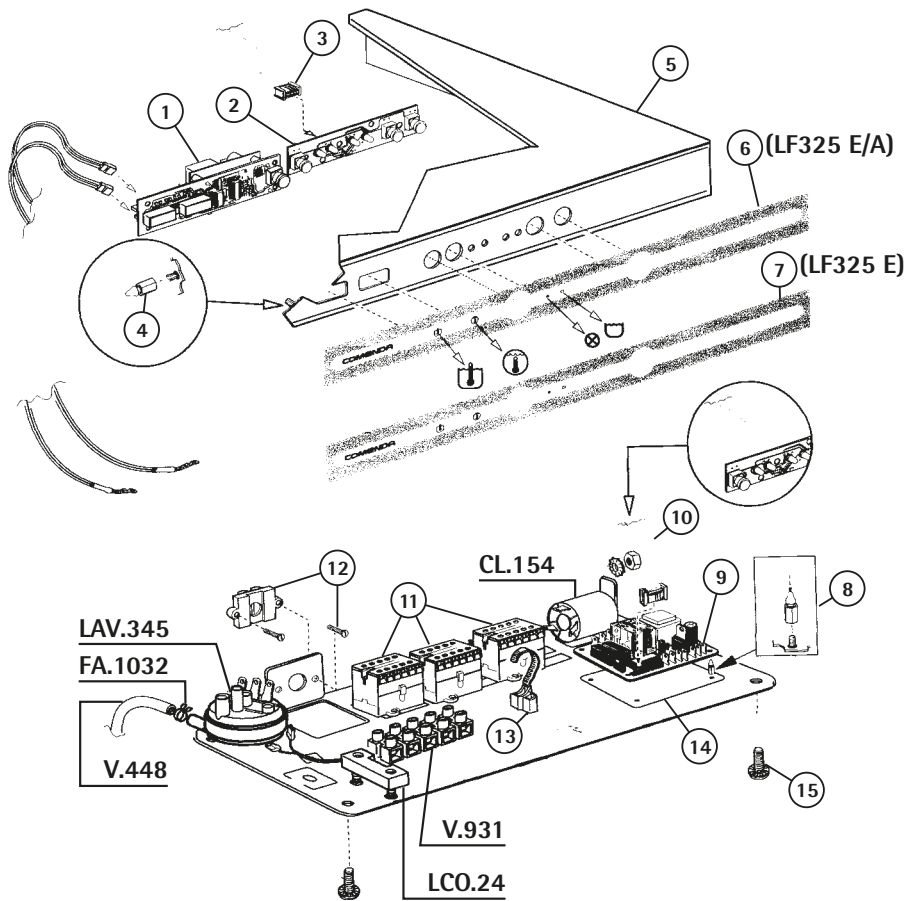
Ahorre tiempo y dinero.
Pida el recambio a ASCASO.

REF.	DESCRIPCIÓN	DESCRIPTION
CL.154	FILTRO ANTIPARASITARIO	ANTIPARASITIC FILTER
FA1032	BRIDA	CLASP
LAV345	PRESOSTATO	PRESSURE SWITCH
LCO.24	MICROINTERRUPTOR	MICROSWITCH
LCO.31	INTERRUPTOR	SWITCH
LCO.34	TAPON PILOTO	PILOT COVER
LCO.35	SOPORTE INTERRUPTOR	SWITCH SUPPORT
LCO.36	BOTON ENDENDIDO	ON BUTTON
LCO.37	BOTON CICLO	CICLE BUTTON
LCO.38	INTERRUPTOR	SWITCH
LCO.39	PILOTO 220V	220V PILOT
LCO.95	BOTON MARCHA	STARTER BUTTON
V.448	TUBO PRESOSTATO-METRO 4X6	4X6 PRE.SWITCH INLET PIPE
V.931	REGLETA 9 POLOS D.4,5MM	D.4,5mm 9 POLES CONNECT



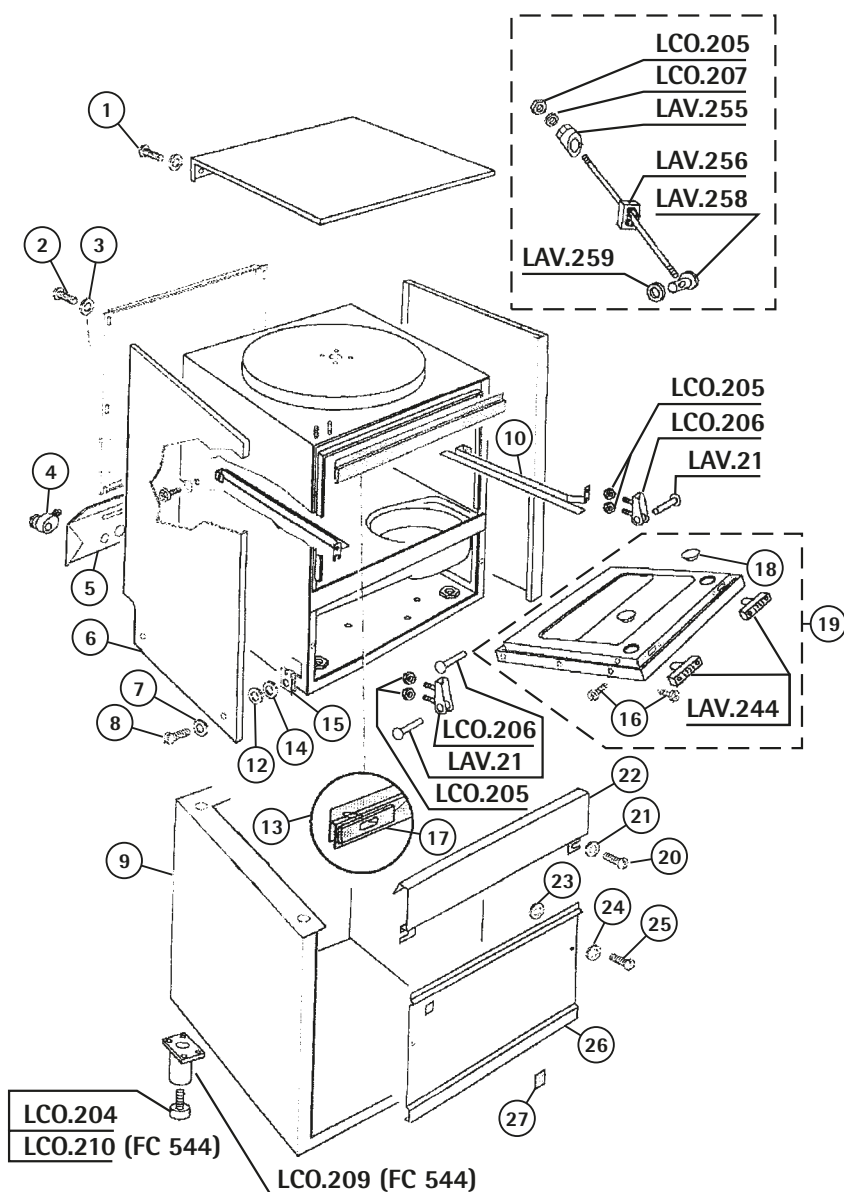
REF.	DESCRIPCIÓN	DESCRIPTION
CL.154	FILTRO ANTIPARASITARIO	ANTIPARASITIC FILTER
FA1032	BRIDA	CLASP
LAV345	PRESOSTATO	PRESSURE SWITCH
LCO.24	MICROINTERRUPTOR	MICROSWITCH
LCO.31	INTERRUPTOR	SWITCH
LCO.34	TAPON PILOTO	PILOT COVER
LCO.35	SOPORTE INTERRUPTOR	SWITCH SUPPORT
LCO.36	BOTON ENDENDIDO	ON BUTTON
LCO.37	BOTON CICLO	CICLE BUTTON
LCO.38	INTERRUPTOR	SWITCH
LCO.39	PILOTO 220V	220V PILOT
LCO.95	BOTON MARCHA	STARTER BUTTON
LCO.97	BOTON DEPURACION	PURIFIER BUTTON
V.448	TUBO PRESOSTATO-METRO 4X6	4X6 PRE.SWITCH INLET PIPE
V.931	REGLETA 9 POLOS D.4,5MM	D.4,5mm 9 POLES CONNECT





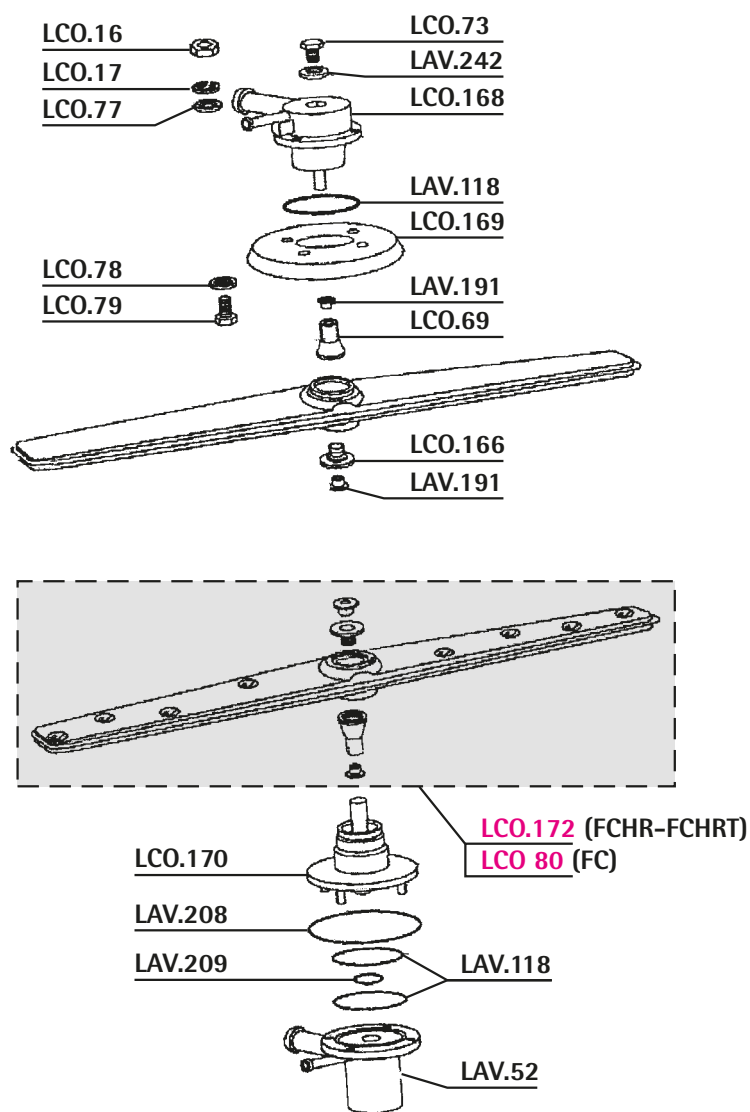
REF.	DESCRIPCIÓN	DESCRIPTION
CL.154	FILTRO ANTIPARASITARIO	ANTIPARASITIC FILTER
FA1032	BRIDA	CLASP
LAV345	PRESOSTATO	PRESSURE SWITCH
LCO.24	MICROINTERRUPTOR	MICROSWITCH
V..448	TUBO PRESOSTATO-METRO 4X6	4X6 PRE.SWITCH INLET PIPE
V..931	REGLETA 9 POLOS D.4,5MM	D.4,5mm 9 POLES CONNECT

Puerta / Carrocería FC53 - FC54 - FC54E - FC533 - FC543 - FC543E - FC544 ■ FC53 - FC54 - FC54E - FC533 - FC543 - FC543E - FC544 Bodywork / Door

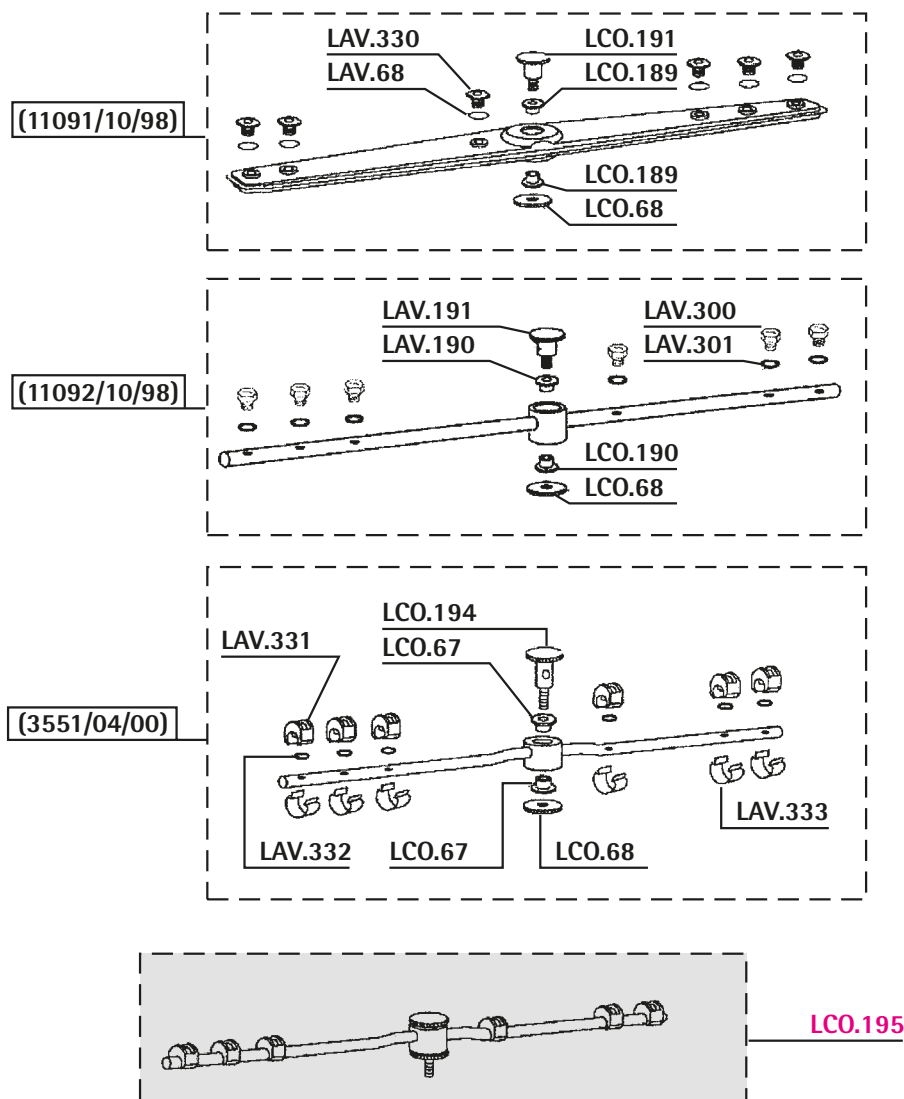


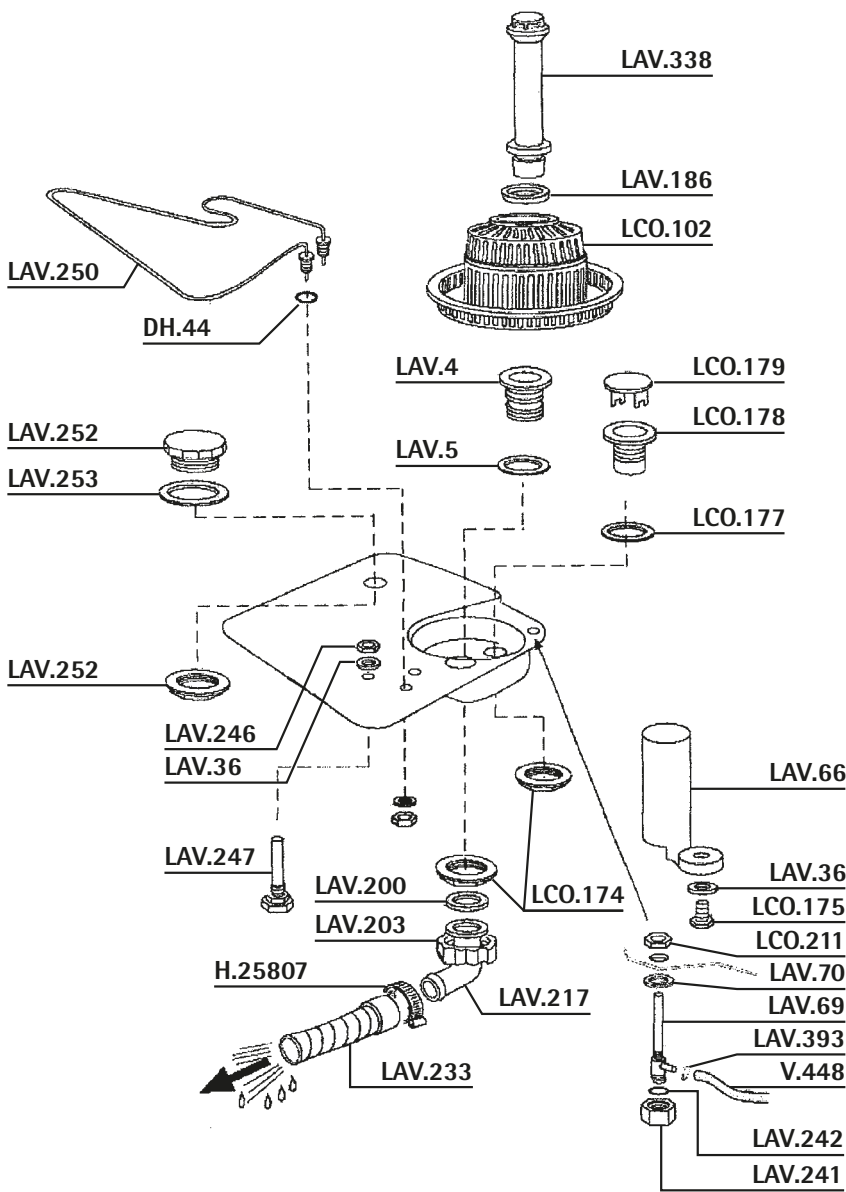
REF.	DESCRIPCIÓN	DESCRIPTION
LAV.21	PERNO BISAGRA	HINGE BOLT
LAV244	CIERRE PUERTA	CLOSING DOOR
LAV255	CASQUILLO EJE PUERTA	DOOR ROD COP
LAV256	PASADOR RECTANGUL.GRANDE	BIG SQUARE PIN
LAV258	TUERCA	NUT
LAV259	JUNTA NYLON	NYLON GASKET
LCO204	PATA	FOOT
LCO205	TUERCA BISAGRA	HINGE NUT
LCO206	BISAGRA	HINGE
LCO207	ARANDELA	WASHER
LCO209	SOPORTE PATA	FOOT SUPPORT
LCO210	PATA	FOOT

REF.	DESCRIPCIÓN	DESCRIPTION
LAV.52	SOPORTE INFERIOR	LOWER SUPPORT
LAV.118	TORICA GOMA	RING
LAV.191	GUIA CRUZ LAVADO	WASHING CROSS GUIDE
LAV.208	TORICA SOPORTE GIRATORIO	SUPPORT RING
LAV.209	TORICA SOPORTE GIRATORIO	SUPPORT RING
LAV.242	JUNTA GOMA	RUBBER GASKET
LCO.16	TUERCA	NUT
LCO.17	ARANDELA	WASHER
LCO.69	SOPORTE	SUPPORT
LCO.73	TORNILLO COLECTOR	COLECTOR SCREW
LCO.77	ARANDELA	WASHER
LCO.78	ARANDELA	WASHER
LCO.79	TORNILLO	SCREW
LCO.80	GIRATORIO LAVADO	WASH GIRATORY
LCO.166	ADAPTADOR GIRATORIO	GO TO LCO.70
LCO.168	COLECTOR SUPERIOR	UPPER COLECTOR
LCO.169	DISCO	DISK
LCO.170	ADAPTADOR COLECTOR	COLECTOR ADAPTOR
LCO.172	GIRATORIO LAVADO FCHR - FCHRT	FCHR - FCHRT WASHING GIRATORY



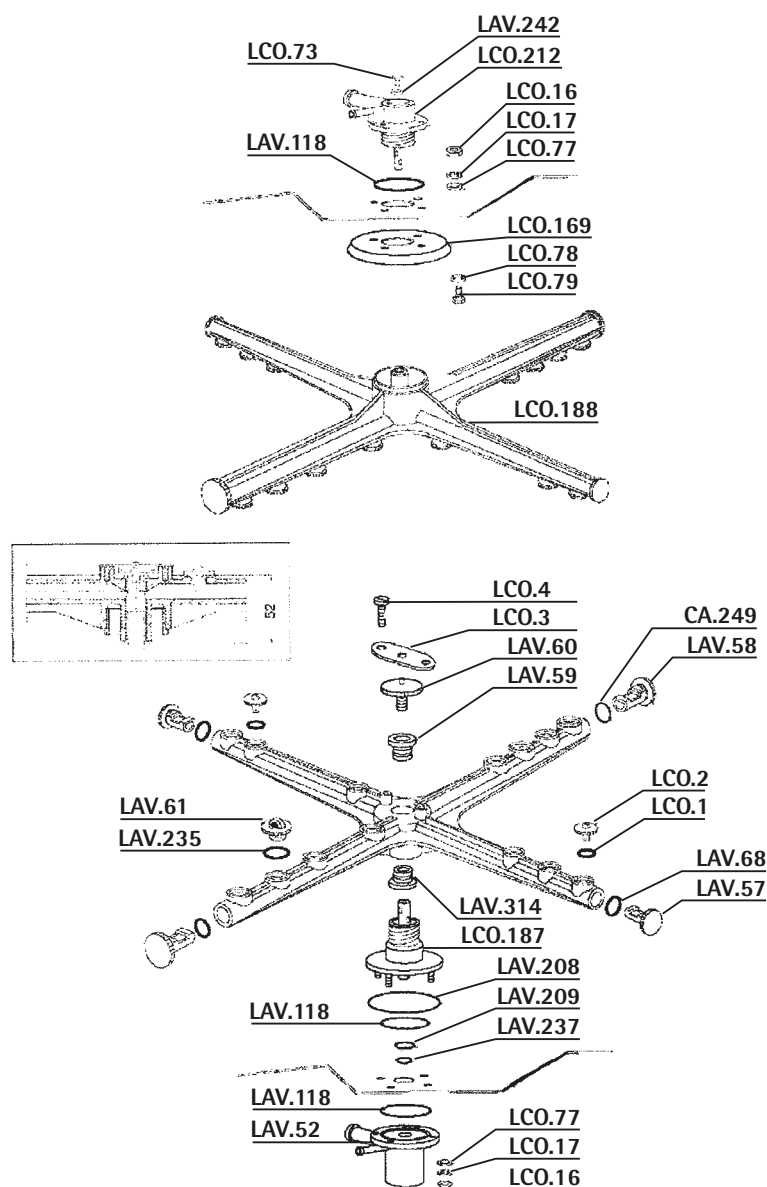
REF.	DESCRIPCIÓN	DESCRIPTION
LAV.68	TORICA GOMA EPDM	RUBBER RING
LAV.300	ROCIADOR ACLARADO	RINSE SPRAY
LAV.301	TORICA ROCIADOR	SPRAY RING
LAV.330	SURTIDOR ACLARADO	RINSE SPRAY
LAV.331	SURTIDOR ACLARADO	RINSE SPRAY
LAV.332	TORICA GOMA	RUBER GASKET
LAV.333	BRIDA SUJETA SURTIDOR	CLASP
LCO.67	CASQUILLO	CAP
LCO.68	TUERCA	NUT
LCO.189	CASQUILLO	CAP
LCO.190	CASQUILLO	CAP
LCO.191	TORNILLO GIRATORIO	GIRATORY SCREW
LCO.194	TORNILLO GIRATORIO	GIRATORY SCREW
LCO.195	GIRATORIO ACLARADO	RINSE GIRATORY





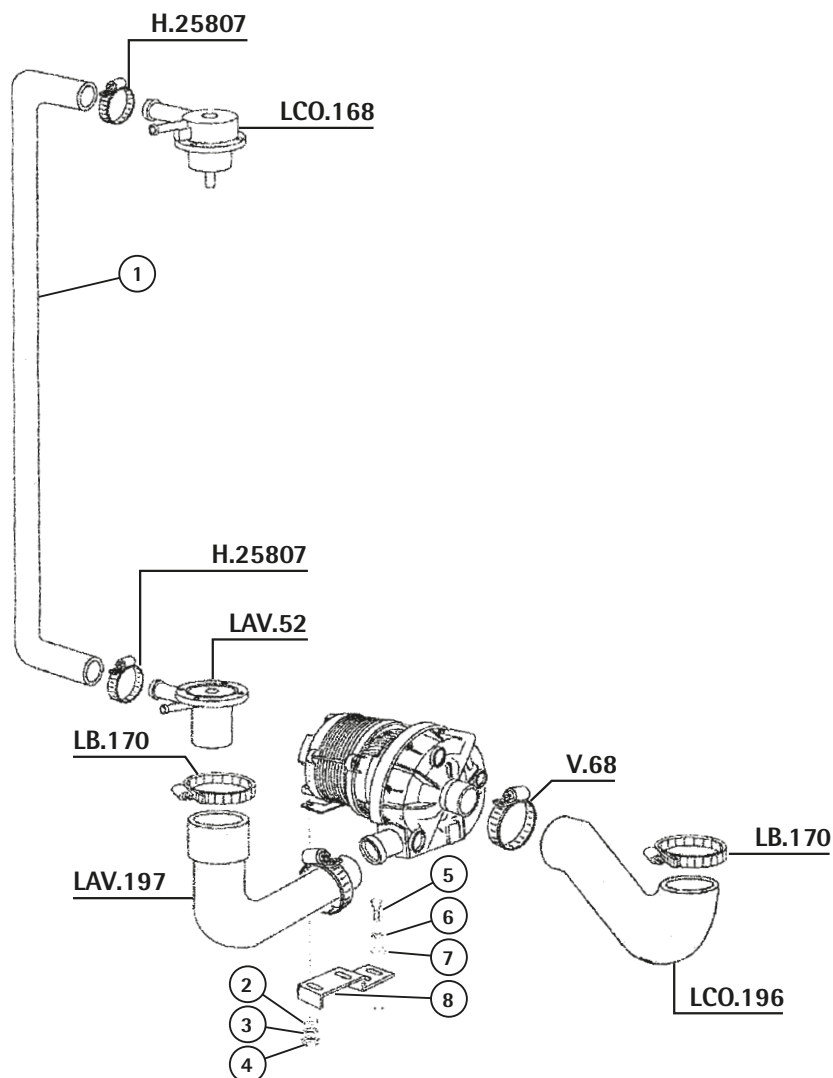
REF.	DESCRIPCIÓN	DESCRIPTION
DH..44	TORICA VITON	VITON RING
H25807	ABRAZADERA 25-40	25-40 CLAMP
LAV..4	RACOR DESAGÜE LC-380	LC-380 MODERN DRAIN
LAV..5	JUNTA GOMA	RUBBER GASKET
LAV.36	JUNTA ALIMENTARIA	ALIMENTARY GASKET
LAV.66	CAMARA PRESOSTATICA	PRESSURE SWITCH CHAMBER
LAV.69	TUBO CAMARA PRESOSTATICA	PRESURE SWITCH PIPE
LAV.70	JUNTA GOMA	RUBBER GASKET
LAV186	COLLARIN	GASKET
LAV200	JUNTA ARBOL LAVADO GOMA	WASHING ARM RUBBER GASKET
LAV203	TUERCA CODO DESAGÜE	OUTLET ELBOW NUT
LAV217	CODO DESAGÜE CAZOLETA	DRAIN ELBOW
LAV233	TUBO DESAGÜE 35X27mm 1.5 MT	35X27mm 1.5MT OUTLET PIPE
LAV241	TUERCA PLASTICO	NUT
LAV242	JUNTA GOMA	RUBBER GASKET
LAV246	TUERCA	NUT
LAV247	ALOJAMIENTO TERMOSTATO	THERMOSTAT LODGING
LAV250	RESISTENCIA 2000W 230V INOX	RESISTANCE 2000W 230V
LAV252	TAPON CUBA	TANK CAP
LAV253	JUNTA TAPON	CAP GASKET
LAV338	TUBO REBOSADERO	OVERFLOW PIPE
LAV393	BRIDA	CLAMP
LCO102	FILTRO LC700/900	LC700/900 FILTER
LCO174	TUERCA RACOR DESAGÜE	DRAIN FITTING NUT
LCO175	TORNILLO	SCREW
LCO177	JUNTA RACOR DESAGÜE	DRAIN FITTING GASKET
LCO178	RACOR DESAGÜE	DRAIN FITTING
LCO179	TAPON RACOR DESAGÜE	DRAIN FITTING COVER
LCO211	PATA	FOOT
V..448	TUBO PRESOSTATO-METRO 4X6	4X6 PRE.SWITCH INLET PIPE

Lavado/ Aclarado FC54E ■ FC54E Rinse / Wash

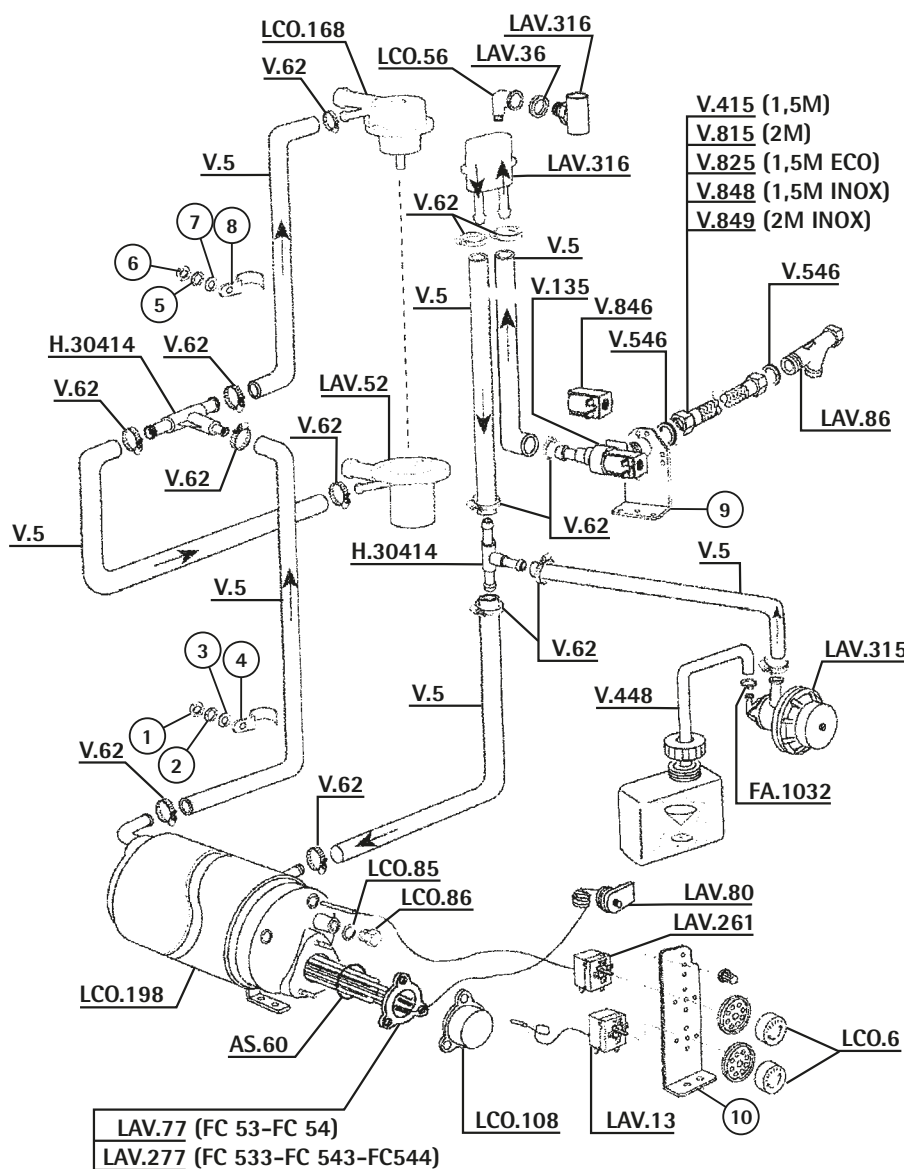


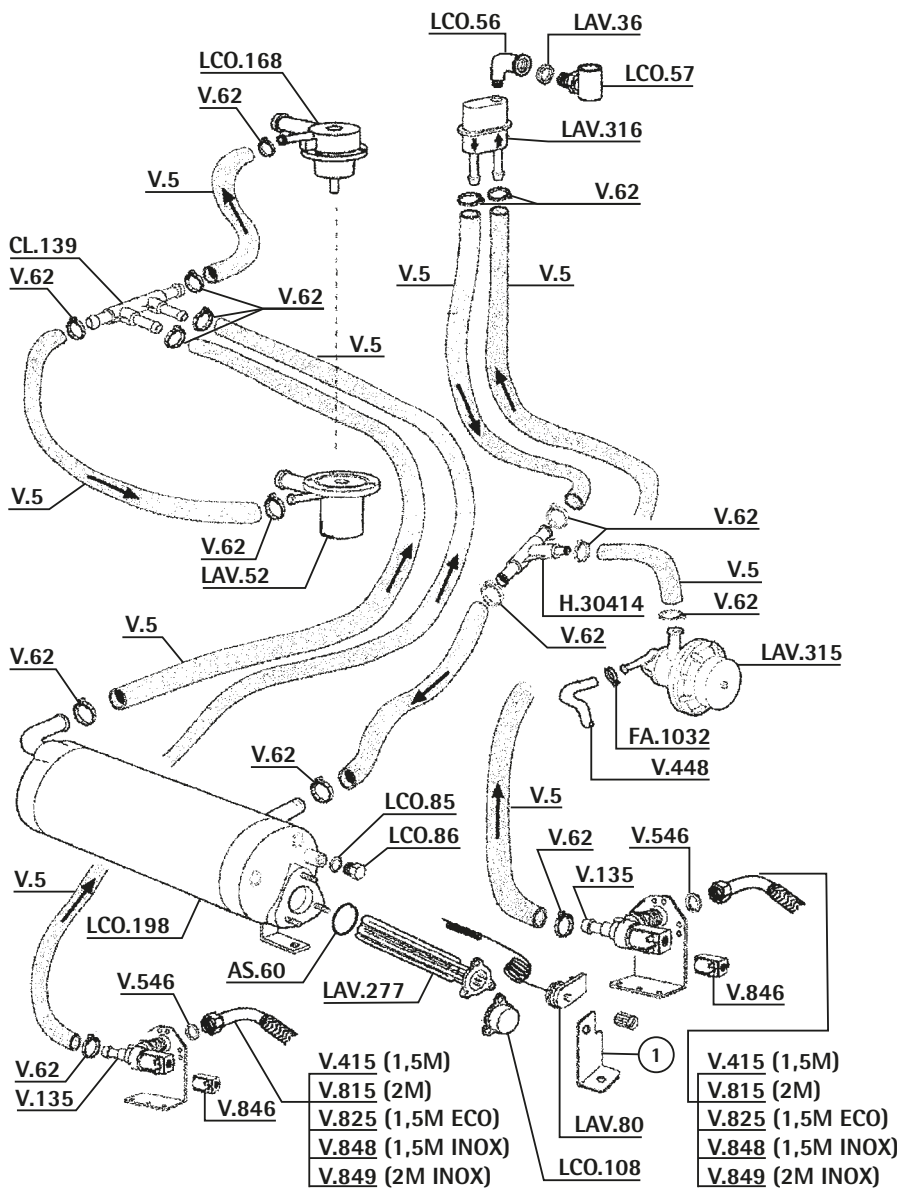
REF.	DESCRIPCIÓN	DESCRIPTION
CA.249	TORICA VALVULA	VALVE RING
LAV.52	SOPORTE INFERIOR	LOWER SUPPORT
LAV.57	TAPON GIRATORIO LAVADO	WASHING REVOLVING CAP
LAV.58	TAPON GIRATORIO LAVADO	WASHING REVOLVING CAP
LAV.59	CASQUILLO GIRATORIO	REVOLVING CAP
LAV.60	TORNILLO FIJAR GIRATORIO	SCREW
LAV.61	SURTIDOR LAVADO SERIE F	SERIE F WASHING SPRAY
LAV.68	TORICA GOMA EPDM	RUBBER RING
LAV118	TORICA GOMA	RING
LAV208	TORICA SOPORTE GIRATORIO	SUPPORT RING
LAV209	TORICA SOPORTE GIRATORIO	SUPPORT RING
LAV235	TORICA GOMA	RING
LAV237	TORICA GOMA	RING
LAV242	JUNTA GOMA	RUBBER GASKET
LAV314	CASQUILLO INFERIOR	LOWER CAP
LCO..1	JUNTA GIRATORIO	GIRATORY GASKET
LCO..2	ROCIADOR	SPRAY
LCO..3	PLETINA	PLATE
LCO..4	TORNILLO	SCREW
LCO.16	TUERCA	NUT
LCO.17	ARANDELA	WASHER
LCO.73	TORNILLO COLECTOR	COLECTOR SCREW
LCO.77	ARANDELA	WASHER
LCO.78	ARANDELA	WASHER
LCO.79	TORNILLO	SCREW
LCO169	DISCO	DISK
LCO187	ADAPTADOR COLECTOR	COLECTOR ADAPTOR
LCO188	GIRATORIO FC54E	FC54E GIRATORY
LCO212	COLECTOR SUPERIOR	UPPER COLECTOR

REF.	DESCRIPCIÓN	DESCRIPTION
H25807	ABRAZADERA 25-40	25-40 CLAMP
LAV.52	SOPORTE INFERIOR	LOWER SUPPORT
LAV.197	TAPON SIMBOLO B-11	B-11 CAP
LB.170	ABRAZADERA 40-60	40-60 CLAMP
LCO.168	COLECTOR SUPERIOR	UPPER COLECTOR
LCO.196	MANGUITO	SLEEVE
V...68	ABRAZADERA 32-50	35-50 CLAMP



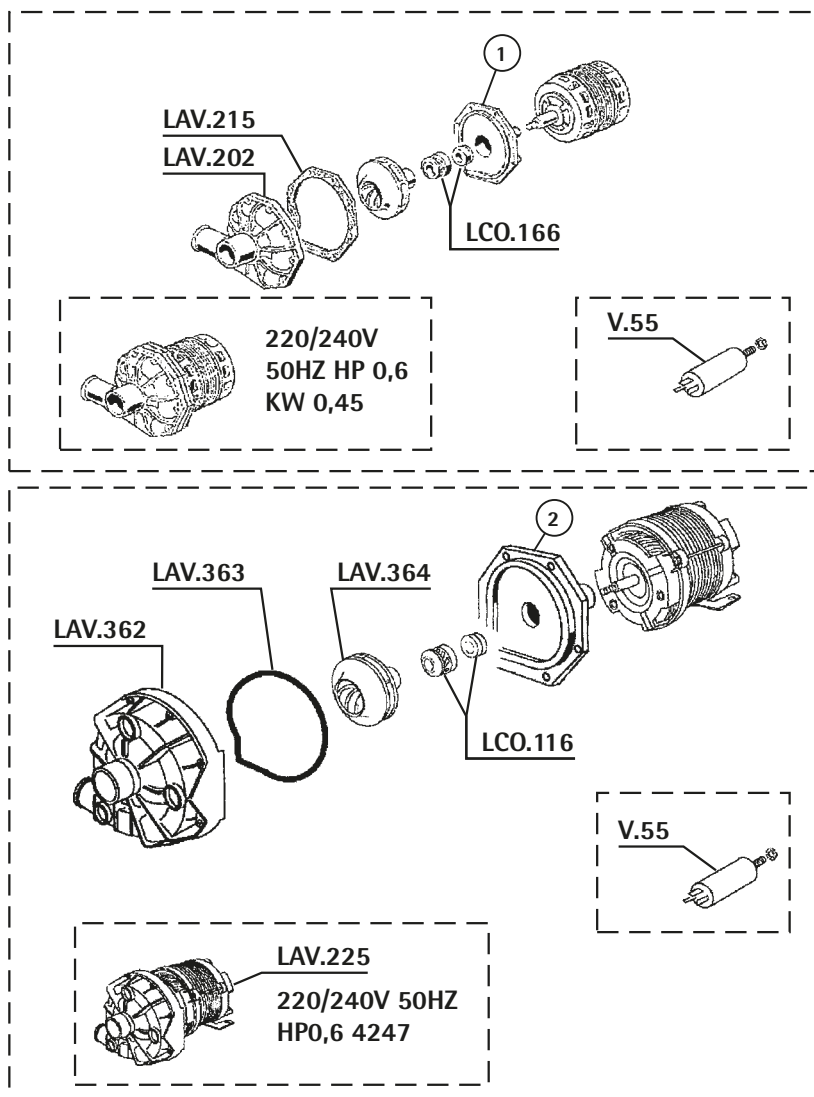
REF.	DESCRIPCIÓN	DESCRIPTION
AS..60	TORICA GOMA EPDM	RUBBER RING
FA1032	BRIDA	CLASP
H30414	RACOR EMPALME	UNION FITTING
LAV.13	TERMOSTATO CALDERIN 90°	90° BOILER THERMOSTAT
LAV.36	JUNTA ALIMENTARIA	ALIMENTARY GASKET
LAV.52	SOPORTE INFERIOR	LOWER SUPPORT
LAV.77	RESIST.CALDERIN 3000W 230V	3000W 230V BOILER RESISTANCE
LAV.80	TERMOSTATO SEGURIDAD 110°	110° SAFETY THERMOSTAT
LAV.86	FILTRO ENTRADA AGUA	INLET FILTER
LAV.261	TERMOSTATO CALDERIN	BOILER THERMOSTAT
LAV.277	RESISTENCIA C75/C85/C140	RESISTANCE C75/C85/C140
LAV.315	DOSIFICADOR ABRILLANTADOR	RINSE AID DOSIMETER
LAV.316	RACOR 3 VIAS	3 WAYS FITTING
LCO..6	MANDO	KNOB
LCO.56	RACOR CODO	ELBOW FITTING
LCO.85	JUNTA	GASKET
LCO.86	RACOR	FITTING
LCO.108	TAPA PROTECTORA RESISTENCIA	RESISTANCE PROTECTOR LID
LCO.168	COLECTOR SUPERIOR	UPPER COLECTOR
LCO.198	CALDERIN	BOILER
V...5	TUBO GOMA 10X16 20 ATM	20ATM 10X17 RUBBER PIPE
V...62	ABRAZADERA 12-20	12-20 CLAMP
V.135	ELECTR.1 VIA SAL.VERTICAL	VERTICAL EXIT 1 WAY SOLEN
V.415	TOMA LAVADORA 1,5M	QUALITY 1.5M.INLET W.FLEX
V.448	TUBO PRESOSTATO-METRO 4X6	4X6 PRE.SWITCH INLET PIPE
V.546	JUNTA GOMA 3/4	WATER INLET RUBBER GASKET
V.815	TOMA LAVADORA 2 METROS	2 MT.INLET WATER FLEXIBLE
V.825	TOMA LAVADORA 1.5 "ECO"	"ECO"1.5M INLET WA.FLEXIB
V.846	BOBINA ELECTROV.220/240V	220/240V SOLENOID COIL
V.848	TOMA LAVADORA 1.5M INOX	INOX 1.5M INLET WATER FL.
V.849	TOMA LAV.INOX 2MT.3/4X3/4	INOX 2MT.INLET WATER FLE.





REF.	DESCRIPCIÓN	DESCRIPTION
AS..60	TORICA GOMA EPDM	RUBBER RING
CL.139	"T" EMPALME	UNION
FA1032	BRIDA	CLASP
H30414	RACOR EMPALME	UNION FITTING
LAV.36	JUNTA ALIMENTARIA	ALIMENTARY GASKET
LAV.52	SOPORTE INFERIOR	LOWER SUPPORT
LAV.80	TERMOSTATO SEGURIDAD 110°	110° SAFETY THERMOSTAT
LAV.277	RESISTENCIA C75/C85/C140	RESISTANCE C75/C85/C140
LAV.315	DOSIFICADOR ABRILLANTADOR	RINSE AID DOSIMETER
LAV.316	RACOR 3 VIAS	3 WAYS FITTING
LCO.56	RACOR CODO	ELBOW FITTING
LCO.57	RACOR CODO	ELBOW FITTING
LCO.85	JUNTA	GASKET
LCO.86	RACOR	FITTING
LCO.108	TAPA PROTECTORA RESISTENCIA	RESISTANCE PROTECTOR LID
LCO.168	COLECTOR SUPERIOR	UPPER COLECTOR
LCO.198	CALDERIN	BOILER
V...5	TUBO GOMA 10X16 20 ATM	20ATM 10X17 RUBBER PIPE
V...62	ABRAZADERA 12-20	12-20 CLAMP
V.135	ELECTR.1 VIA SAL.VERTICAL	VERTICAL EXIT 1 WAY SOLENN
V.415	TOMA LAVADORA 1,5M	QUALITY 1.5M.INLET W.FLEX
V.448	TUBO PRESOSTATO-METRO 4X6	4X6 PRE.SWITCH INLET PIPE
V.546	JUNTA GOMA 3/4	WATER INLET RUBBER GASKET
V.815	TOMA LAVADORA 2 METROS	2 MT.INLET WATER FLEXIBLE
V.825	TOMA LAVADORA 1.5 "ECO"	"ECO"1.5M INLET WA.FLEXIB
V.846	BOBINA ELECTROV.220/240V	220/240V SOLENOID COIL
V.848	TOMA LAVADORA 1.5M INOX	INOX 1.5M INLET WATER FL.
V.849	TOMA LAV.INOX 2MT.3/4X3/4	INOX 2MT.INLET WATER FLE.

Motor FC53 - FC54 - FC54E - FC533 - FC543 - FC543E - FC544 ■ FC53 - FC54 - FC54E - FC533 - FC543 - FC543E - FC544 Motor



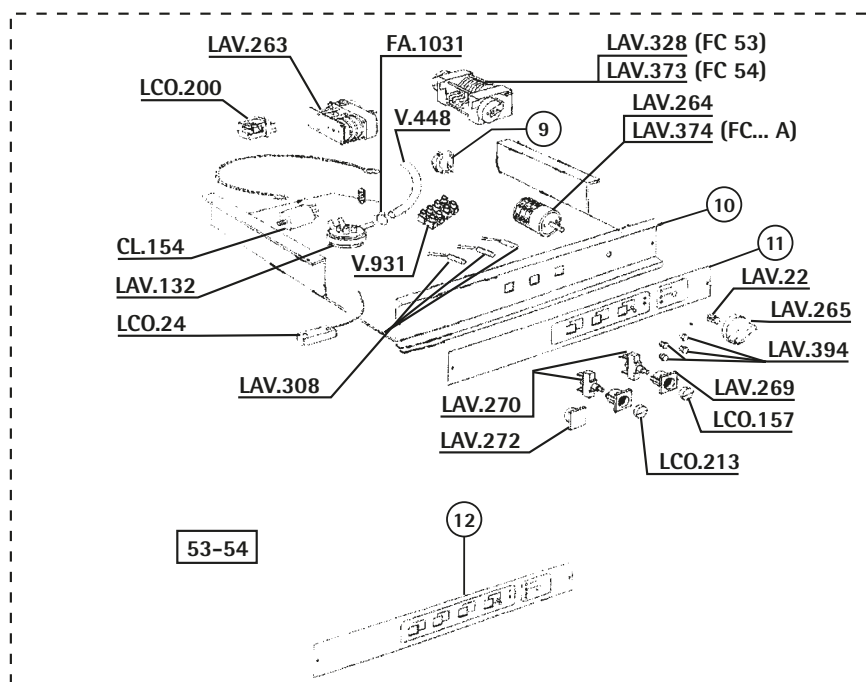
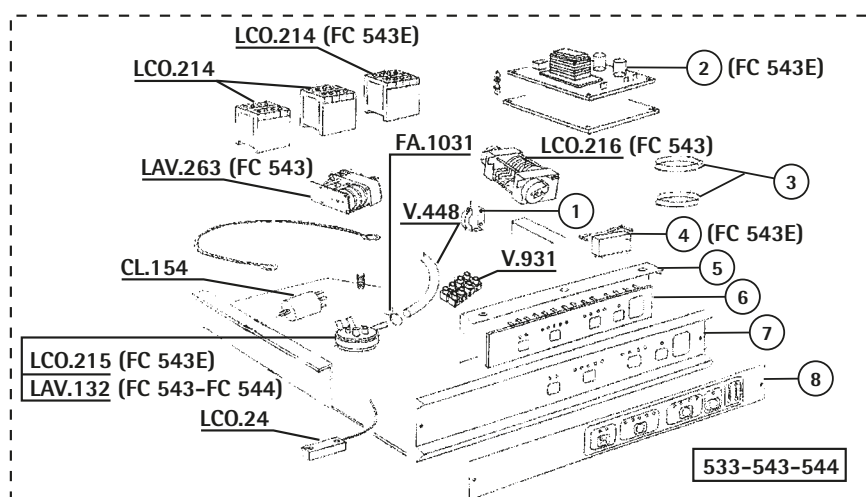
REF.	DESCRIPCIÓN	DESCRIPTION
LAV.202	TAPA MOTOR F-20/45/55/65	F20/45/55/65 MOTOR LID
LAV.215	JUNTA CORCHO F20/45/55/65	F20/45/55/65 CORK GASKET
LAV.225	MOTOR 0.6HP 220V F55/60	F55/60 0.6HP 220V MOTOR
LAV.362	TAPA MOTOR	MOTOR LID
LAV.363	JUNTA MOTOR	MOTOR LID
LAV.364	TURBINA MOTOR DIM.93mm	D.93mm MOTOR TURBINE
LCO.116	RETEN	MECHANICAL SEAL
V...55	CONDENSADOR 10 MF 220V	220V 10MF.CONDENSER

(4755/04/01)

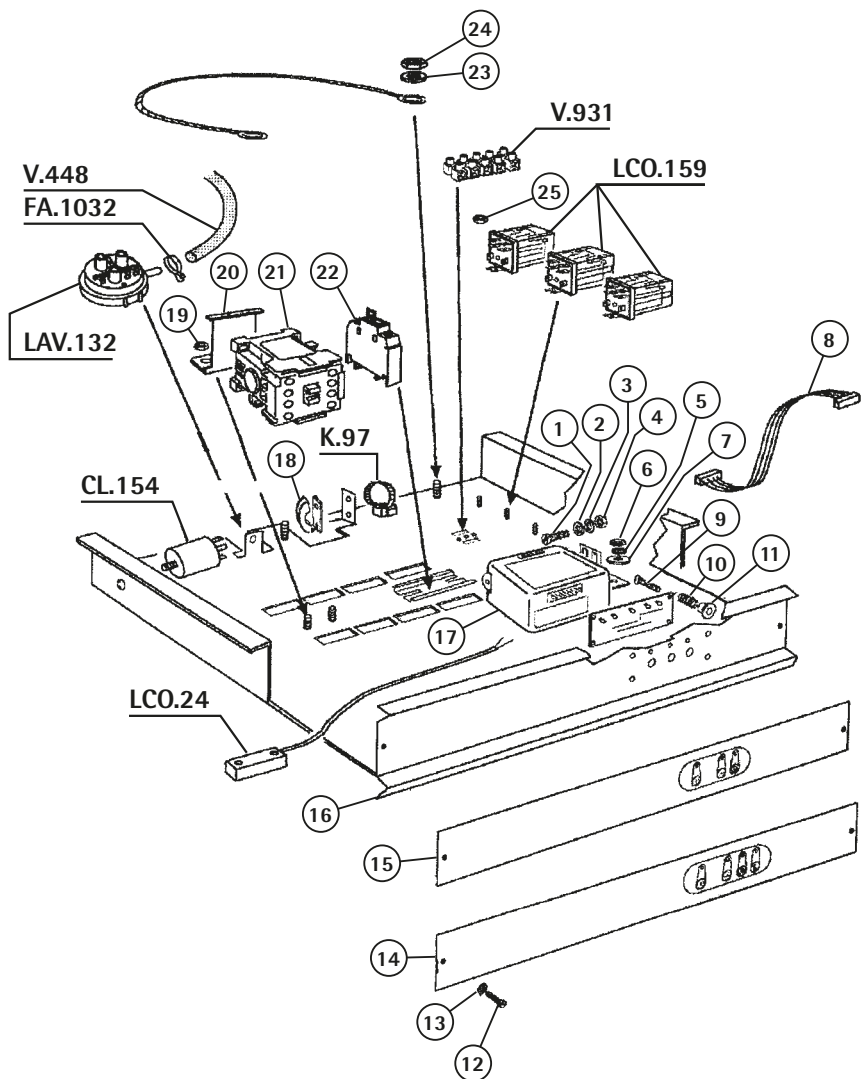


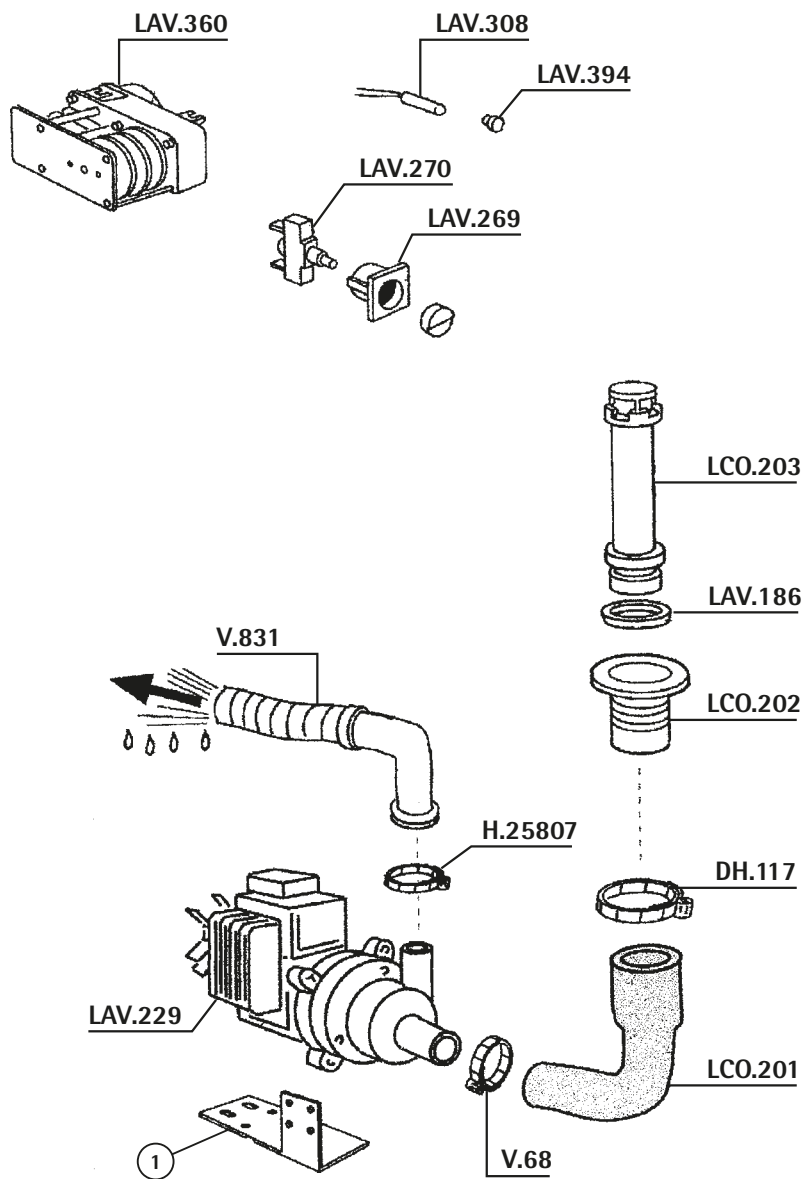
Save time and money..
Order QSCASO your spare parts.

REF.	DESCRIPCIÓN	DESCRIPTION
CL.154	FILTRO ANTIPARASITARIO	ANTIPARASITIC FILTER
FA1031	ABRAZADERA INOX 8-16	8-16 INOX CLAMP
LAV.22	ANILLO ELASTICO	ELASTIC RING
LAV132	PRESOSTATO SAL.HORZ.50/30	50/30 HORIZ.PRESS.SWITCH
LAV263	PROGRAMADOR 20 MIN	20 MIN TIMER
LAV264	INTERRUPTOR GENERAL	GENERAL SWITCH
LAV265	POMO INTERRUPTOR	SWITCH HANDLE
LAV269	CARCASA PULSADORES	PUSH BUTTON BODYWORK
LAV270	PULSADOR	PUSH BUTTON
LAV272	TAPON	CAP
LAV308	PILOTO	WARNING LAMP
LAV328	PROGRAMADOR FC-53	FC-53 TIMER
LAV373	PROGRAMADOR FC-54	FC-54 TIMER
LAV374	INTERRUPTOR GENERAL FCA	FCA GENERAL SWITCH
LAV394	TAPA VERDE PILOTO	LAMP GREEN LID
LCO.24	MICROINTERRUPTOR	MICROSWITCH
LCO157	BOTON CICLO	CICLE BUTTON
LCO200	SERVIR LCO159	GO TO LCO159
LCO213	BOTON INTERRUPTOR	SWITCH BUTTON
LCO214	CONTACTOR	CONTACTOR
LCO215	PRESOSTATO	PRESSURE SWITCH
LCO216	PROGRAMADOR FC543	FC543 TIMER
V..448	TUBO PRESOSTATO-METRO 4X6	4X6 PRE.SWITCH INLET PIPE
V..931	REGLETA 9 POLOS D.4,5MM	D.4,5mm 9 POLES CONNECT



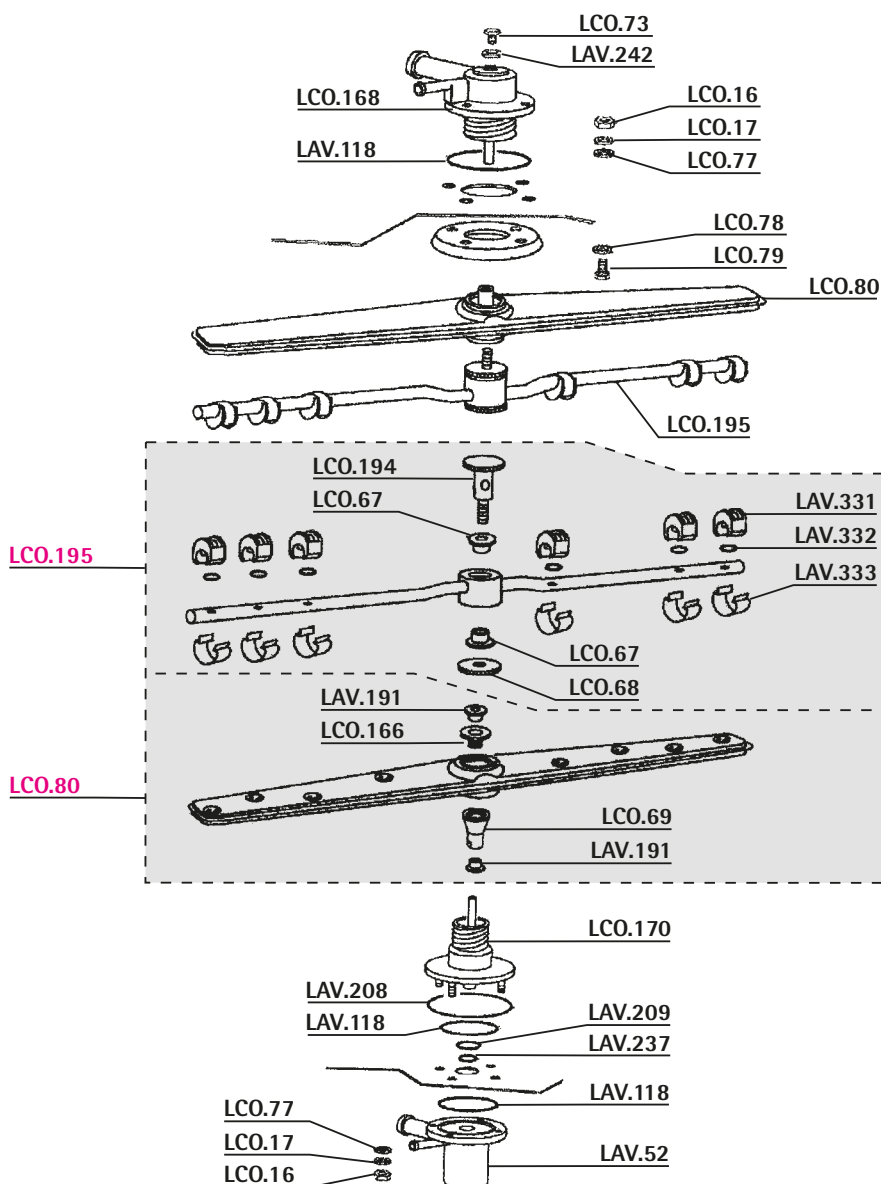
REF.	DESCRIPCIÓN	DESCRIPTION
CL.154	FILTRO ANTIPARASITARIO	ANTIPARASITIC FILTER
FA1032	BRIDA	CLASP
K...97	BRIDA NYLON	5X24mm NYLON CLASP
LAV132	PRESOSTATO SAL.HORZ.50/30	50/30 HORIZ.PRESS.SWITCH
LCO.24	MICROINTERRUPTOR	MICROSWITCH
LCO159	RELE	RELAY
V..448	TUBO PRESOSTATO-METRO 4X6	4X6 PRE.SWITCH INLET PIPE
V..931	REGLETA 9 POLOS D.4,5MM	D.4,5mm 9 POLES CONNECT





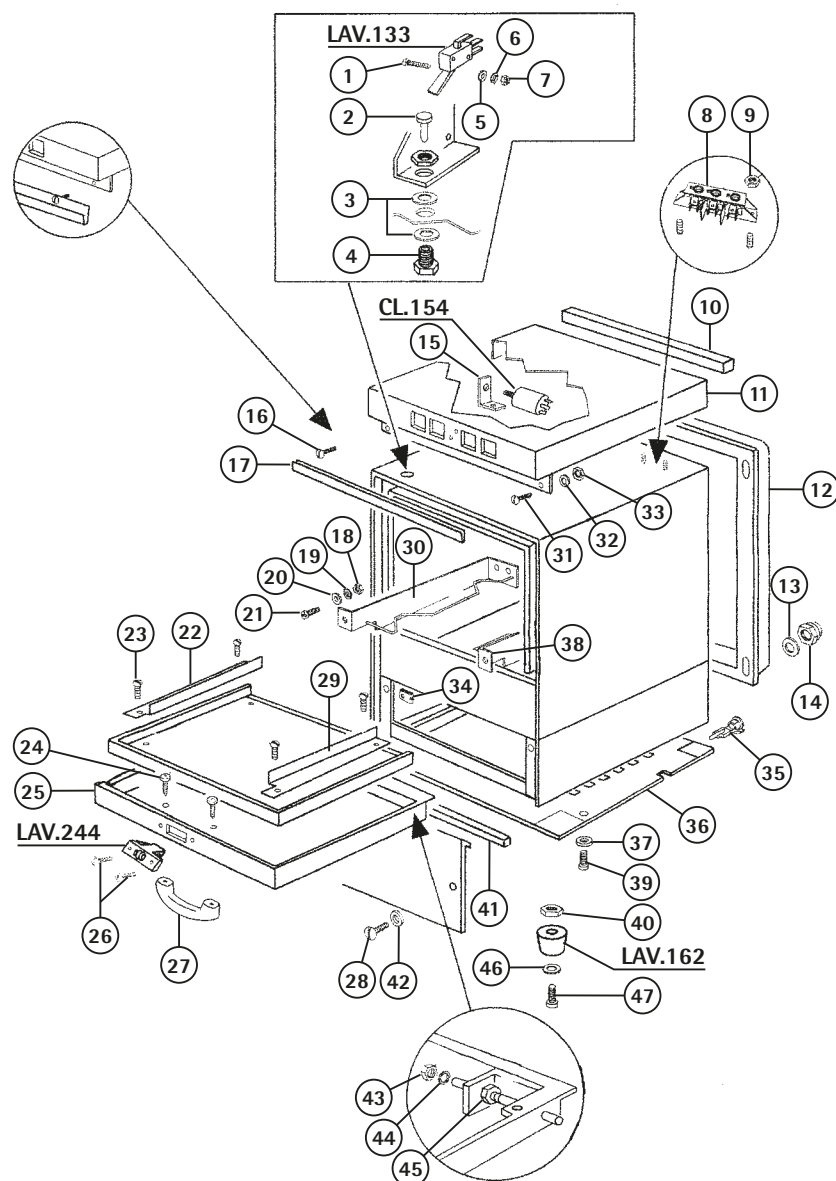
REF.	DESCRIPCIÓN	DESCRIPTION
DH.117	ABRAZADERA 46-70	46-70 CLAMP
H25807	ABRAZADERA 25-40	25-40 CLAMP
LAV186	COLLARIN	GASKET
LAV229	BOMBA ACLARADO F-45 A F80	F-45 TO F80 PUMP
LAV269	CARCASA PULSADORES	PUSH BUTTON BODYWORK
LAV270	PULSADOR	PUSH BUTTON
LAV308	PILOTO	WARNING LAMP
LAV360	PROGRAMADOR 120 SEGUNDOS	120 SECONDS TIMER
LAV394	TAPA VERDE PILOTO	LAMP GREEN LID
LCO201	MANGUITO	SLEEVE
LCO202	RACOR DESAGÜE	OUTLET FITTING
LCO203	REBOSADERO	OVERFLOW
V...68	ABRAZADERA 32-50	35-50 CLAMP
V..831	TUBO DES.17mm 1.8mt.CODO	17mm 1.8mt ELBOW OUTLET P

Lavado / Aclarado FC54E ■ FC-54E Rinse/ Wash

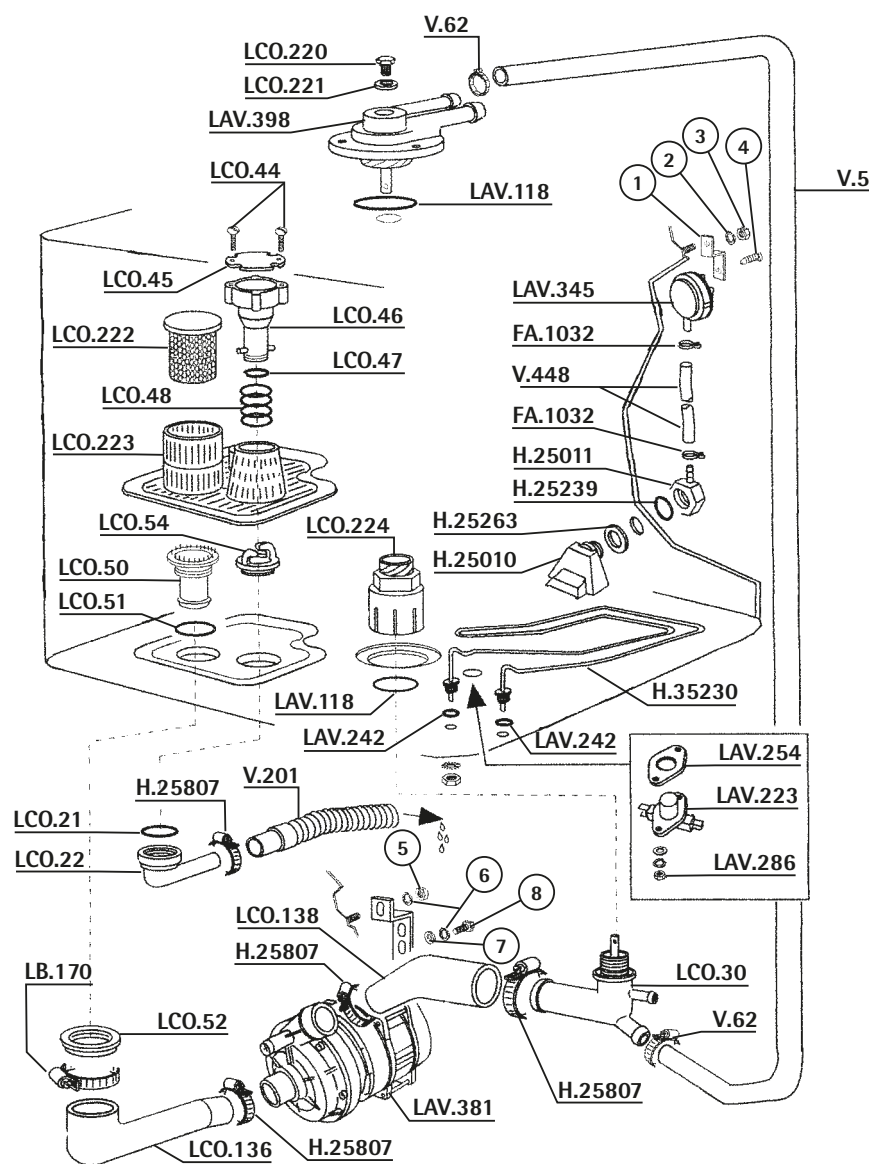


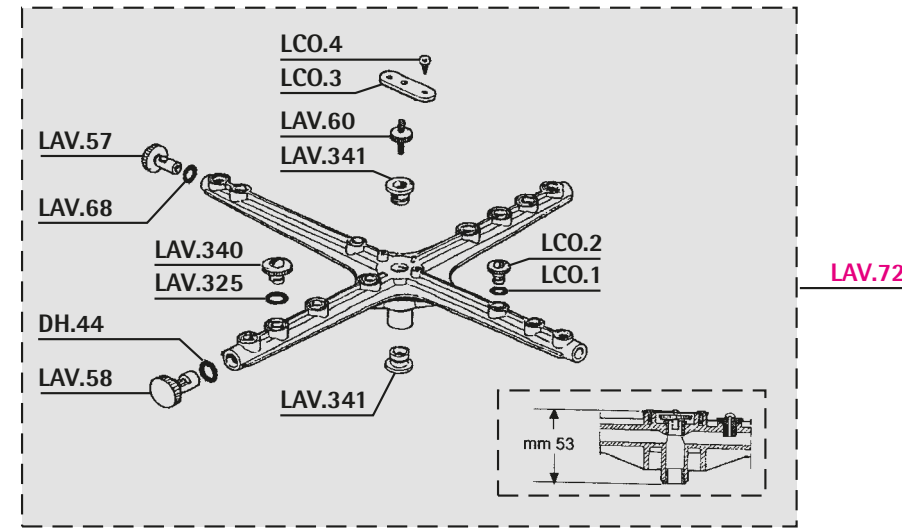
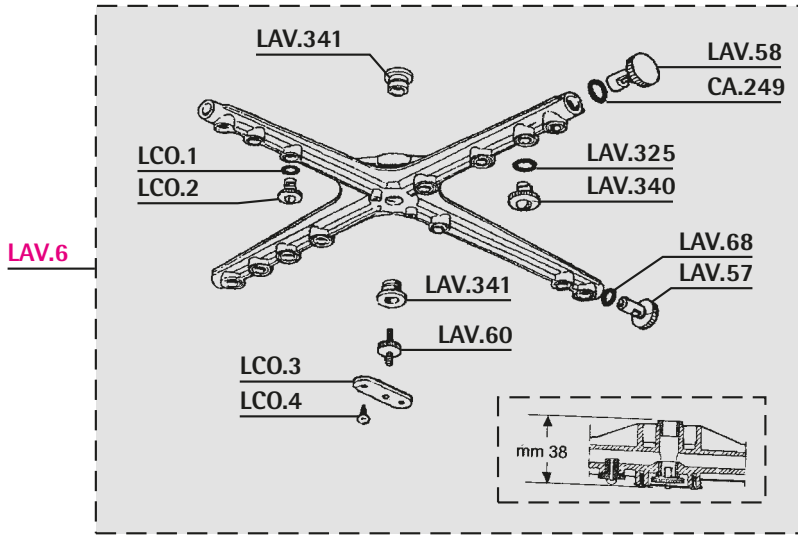
REF.	DESCRIPCIÓN	DESCRIPTION
LAV.52	SOPORTE INFERIOR	LOWER SUPPORT
LAV118	TORICA GOMA	RING
LAV191	GUIA CRUZ LAVADO	WASHING CROSS GUIDE
LAV208	TORICA SOPORTE GIRATORIO	SUPPORT RING
LAV209	TORICA SOPORTE GIRATORIO	SUPPORT RING
LAV237	TORICA GOMA	RING
LAV242	JUNTA GOMA	RUBBER GASKET
LAV331	SURTIDOR ACLARADO	RINSE SPRAY
LAV332	TORICA GOMA	RUBER GASKET
LAV333	BRIDA SUJETA SURTIDOR	CLASP
LCO.16	TUERCA	NUT
LCO.17	ARANDELA	WASHER
LCO.67	CASQUILLO	CAP
LCO.68	TUERCA	NUT
LCO.69	SOPORTE	SUPPORT
LCO.73	TORNILLO COLECTOR	COLECTOR SCREW
LCO.77	ARANDELA	WASHER
LCO.78	ARANDELA	WASHER
LCO.79	TORNILLO	SCREW
LCO.80	GIRATORIO LAVADO	WASH GIRATORY
LCO166	ADAPTADOR GIRATORIO	GIRATORY FITTING
LCO168	COLECTOR SUPERIOR	UPPER COLECTOR
LCO169	DISCO	DISK
LCO170	ADAPTADOR COLECTOR	COLECTOR ADAPTOR
LCO194	TORNILLO GIRATORIO	GIRATORY SCREW
LCO195	GIRATORIO ACLARADO	RINSE GIRATORY

REF.	DESCRIPCIÓN	DESCRIPTION
CL.154	FILTRO ANTIPARASITARIO	ANTIPARASITIC FILTER
LAV133	MICRO ACLARADO 250V 16A	250V 16A CLEAR MICRO
LAV162	PIE MAQUINA	MACHINE FOOT
LAV244	CIERRE PUERTA	CLOSING DOOR



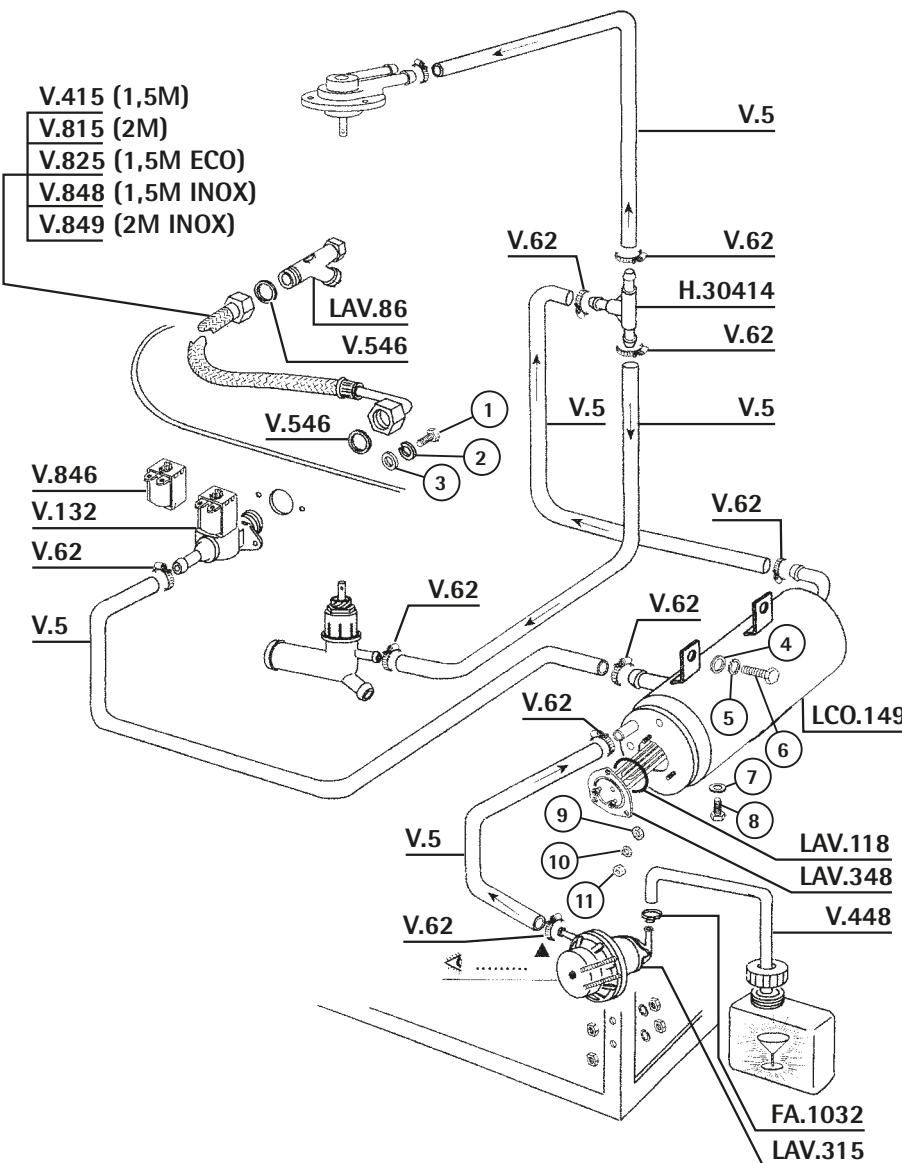
REF.	DESCRIPCIÓN	DESCRIPTION
FA1032	BRIDA	CLASP
H25010	CAMARA PRESOSTATICA	PRESSURE SWITCH CHAMBER
H25011	RACOR PLASTICO	FITTING
H25239	TORICA CIERRE	CLOSING RING
H25263	JUNTA CIERRE GOMA	CLOSING RUBBER GASKET
H25807	ABRAZADERA 25-40	25-40 CLAMP
H35230	RESISTENCIA CUBA 2000W 230V	2000 W 230V TANK RESISTANCE
LAV118	TORICA GOMA	RING
LAV223	TERMOSTATO CUBA B11/12	B-11/12 TANK THERMOSTAT
LAV242	JUNTA GOMA	RUBBER GASKET
LAV254	JUNTA TERMOSTATO	THERMOSTAT GASKET
LAV286	TUERCA INOX	NUT
LAV345	PRESOSTATO	PRESSURE SWITCH
LAV381	MOTOR 0,3 HP 230V 50HZ	230V 50HZ 0,3 HP MOTOR
LAV398	CODO LAVADO / ACLARADO	WASH / RINSE ELBOW
LB.170	ABRAZADERA 40-60	40-60 CLAMP
LCO.21	JUNTA	GASKET
LCO.22	RACOR DESAGÜE	DRAIN FITTING
LCO.30	COLECTOR INFERIOR	LOWER COLECTOR
LCO.44	TORNILLO	SCREW
LCO.45	TAPA REBOSADERO	OVERFLOW COVER
LCO.46	REBOSADERO	OVERFLOW
LCO.47	JUNTA	GASKET
LCO.48	MUELLE	SPRING
LCO.50	RACOR DESAGÜE	DRAIN FITTING
LCO.51	JUNTA RACOR DESAGÜE	DRAIN FITTING VINDAGE
LCO.52	TUERCA RACOR DESAGÜE	DRAIN FITTING NUT
LCO.54	TAPON	COVER
LCO.136	MANGUITO	SLEEVE
LCO.138	MANGUITO	SLEEVE
LCO.220	TORNILLO	SCREW
LCO.221	ARANDELA	WASHER
LCO.222	FILTRO	FILTER
LCO.223	BASE FILTRO	FILTER BASE
LCO.224	BASE SOPORTE GIRATORIO	GIRATORY SUPPORT BASE
V....5	TUBO GOMA 10X16 20 ATM	20ATM 10X17 RUBBER PIPE
V...62	ABRAZADERA 12-20	12-20 CLAMP
V.201	TUBO DESAGÜE 28mm. 1,5mt.	28mm. 1.5mt OUTLET PIPE
V.448	TUBO PRESOSTATO-METRO 4X6	4X6 PRE.SWITCH INLET PIPE





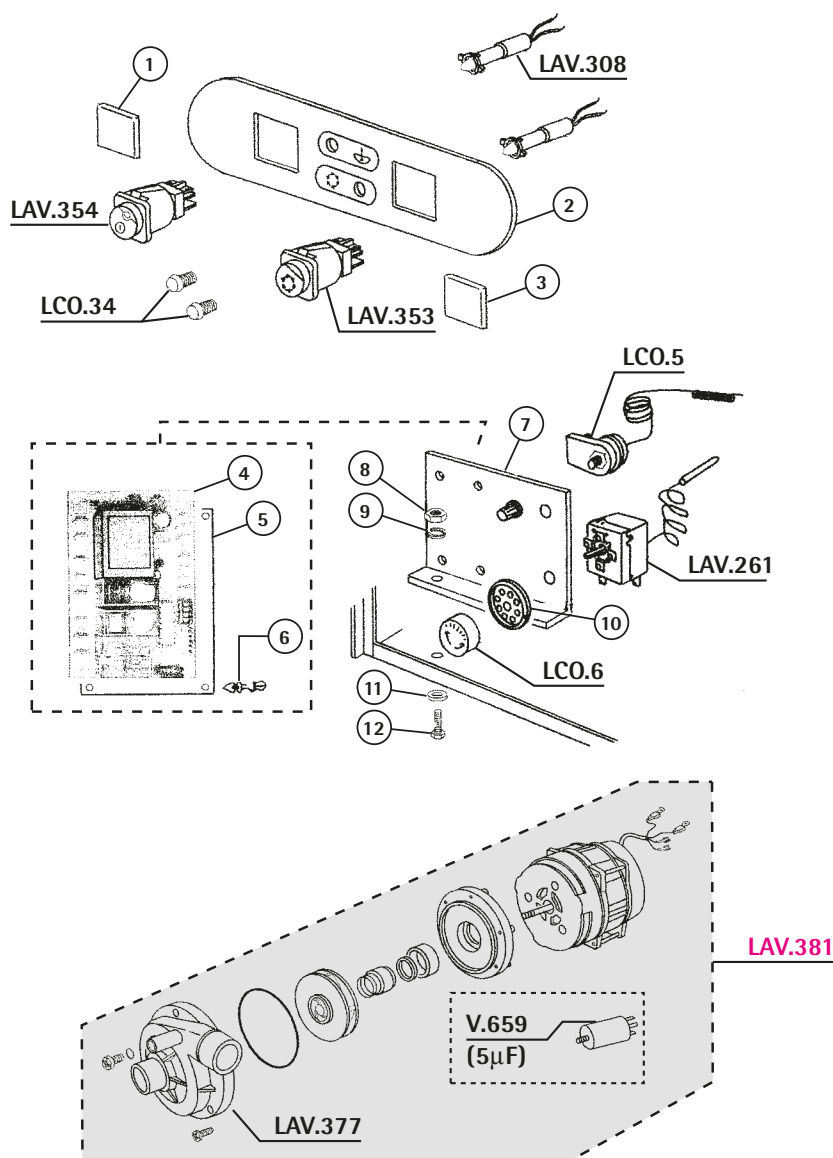
REF.	DESCRIPCIÓN	DESCRIPTION
CA.249	TORICA VALVULA	VALVE RING
DH..44	TORICA VITON	VITON RING
LAV..6	GIRATORIO LAVADO BC-25	BC-25 WASHING GYRATORY
LAV.57	TAPON GIRATORIO LAVADO	WASHING REVOLVING CAP
LAV.58	TAPON GIRATORIO LAVADO	WASHING REVOLVING CAP
LAV.60	TORNILLO FIJAR GIRATORIO	SCREW
LAV.68	TORICA GOMA EPDM	RUBBER RING
LAV.72	GIRATORIO LAVADO F-20	F-20 WASHING GYRATORY
LAV325	FILTRO RETENCION	RETENTION FILTER
LAV340	SURTIDOR LAVADO	WASH SPRAY
LAV341	CASQUILLO	CAP
LCO..1	JUNTA GIRATORIO	GIRATORY GASKET
LCO..2	ROCIADOR	SPRAY
LCO..3	PLETINA	PLATE
LCO..4	TORNILLO	SCREW

Grupo aclarado LB200 - LB260 ■ LB200 - LB260 Rinse group

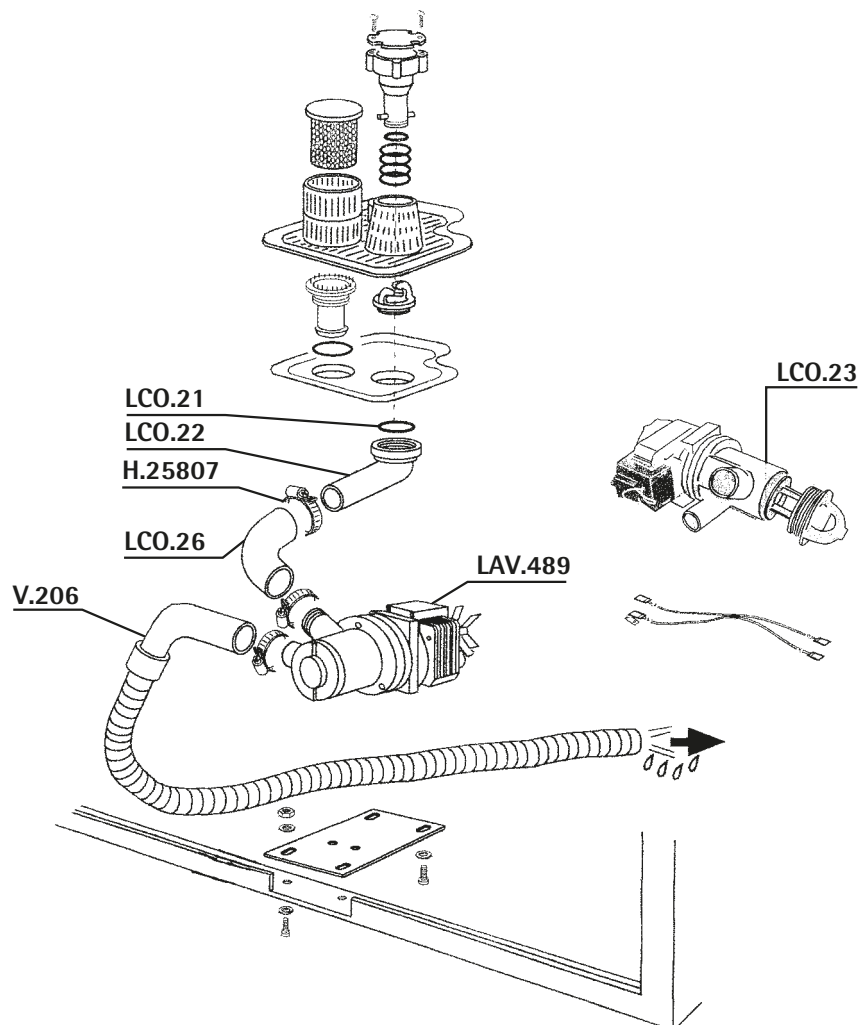


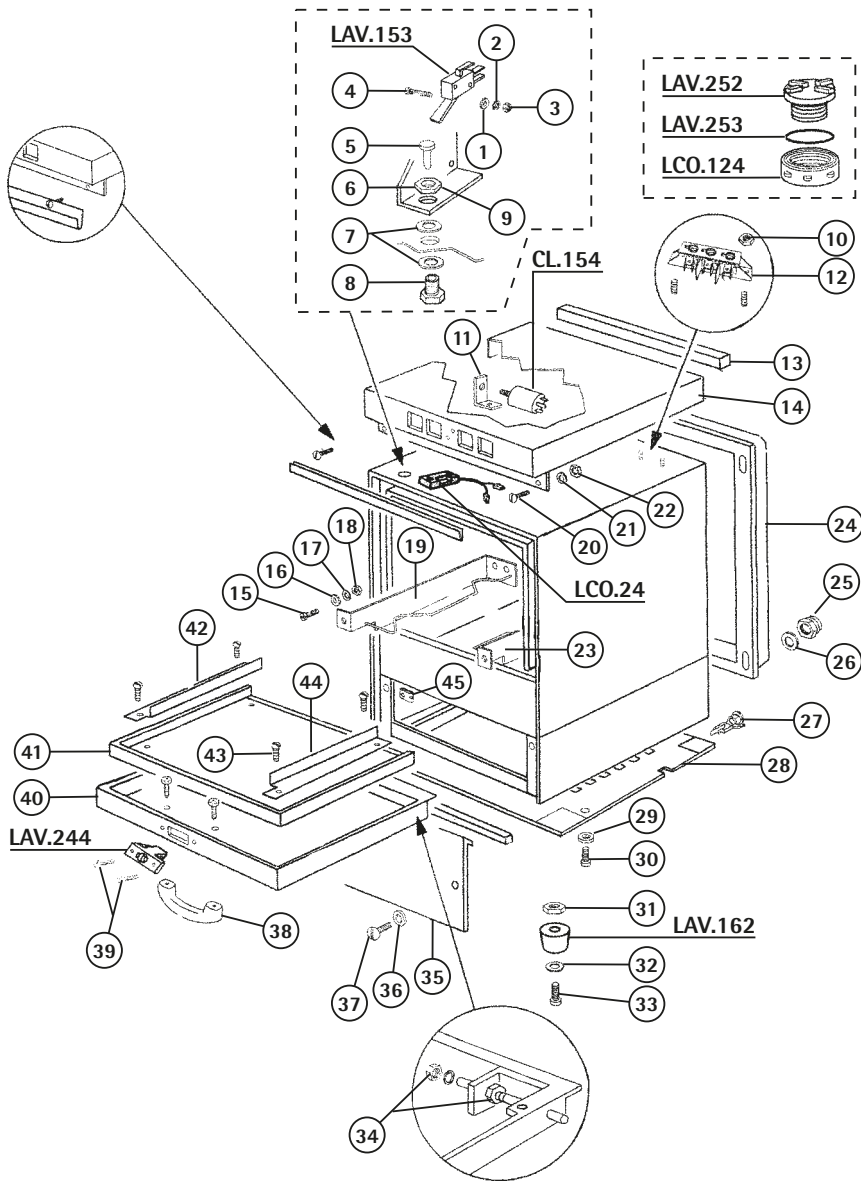
REF.	DESCRIPCIÓN	DESCRIPTION
FA1032	BRIDA	CLASP
H30414	RACOR EMPALME	UNION FITTING
LAV.86	FILTRO ENTRADA AGUA	INLET FILTER
LAV118	TORICA GOMA	RING
LAV315	DOSIFICADOR ABRILLANTADOR	RINSE AID DOSIMETER
LAV348	RESISTENCIA CALDERIN 2400W	2400W BOILER RESISTANCE
LCO149	CALDERIN	BOILER
V....5	TUBO GOMA 10X16 20 ATM	20ATM 10X17 RUBBER PIPE
V...62	ABRAZADERA 12-20	12-20 CLAMP
V..132	ELECTROVAL.1 VIA LAV.220V	WASH 1 WAY 220V SOLENOID
V..415	TOMA LAVADORA 1,5M	QUALITY 1.5M.INLET W.FLEX
V..448	TUBO PRESOSTATO-METRO 4X6	4X6 PRE.SWITCH INLET PIPE
V..546	JUNTA GOMA 3/4	WATER INLET RUBBER GASKET
V..815	TOMA LAVADORA 2 METROS	2 MT.INLET WATER FLEXIBLE
V..825	TOMA LAVADORA 1.5 "ECO"	"ECO"1.5M INLET WA.FLEXIB
V..846	BOBINA ELECTROV.220/240V	220/240V SOLENOID COIL
V..848	TOMA LAVADORA 1.5M INOX	INOX 1.5M INLET WATER FL.
V..849	TOMA LAV.INOX 2MT.3/4X3/4	INOX 2MT.INLET WATER FLE.

REF.	DESCRIPCIÓN	DESCRIPTION
LAV261	TERMOSTATO CALDERIN	BOILER THERMOSTAT
LAV308	PILOTO	WARNING LAMP
LAV353	PULSADOR	PUSH-BUTTON
LAV354	INTERRUPTOR VERDE	GREEN SWITCH
LAV377	TAPA BOMBA	CANCEL
LAV381	MOTOR 0,3 HP 230V 50HZ	230V 50HZ 0,3 HP MOTOR
LCO..5	TERMOSTATO	THERMOSTAT
LCO..6	MANDO	KNOB
LCO.34	TAPON PILOTO	PILOT COVER
V..659	CONDENSADOR 5 MF 220V	220V 5MF CONDENSER



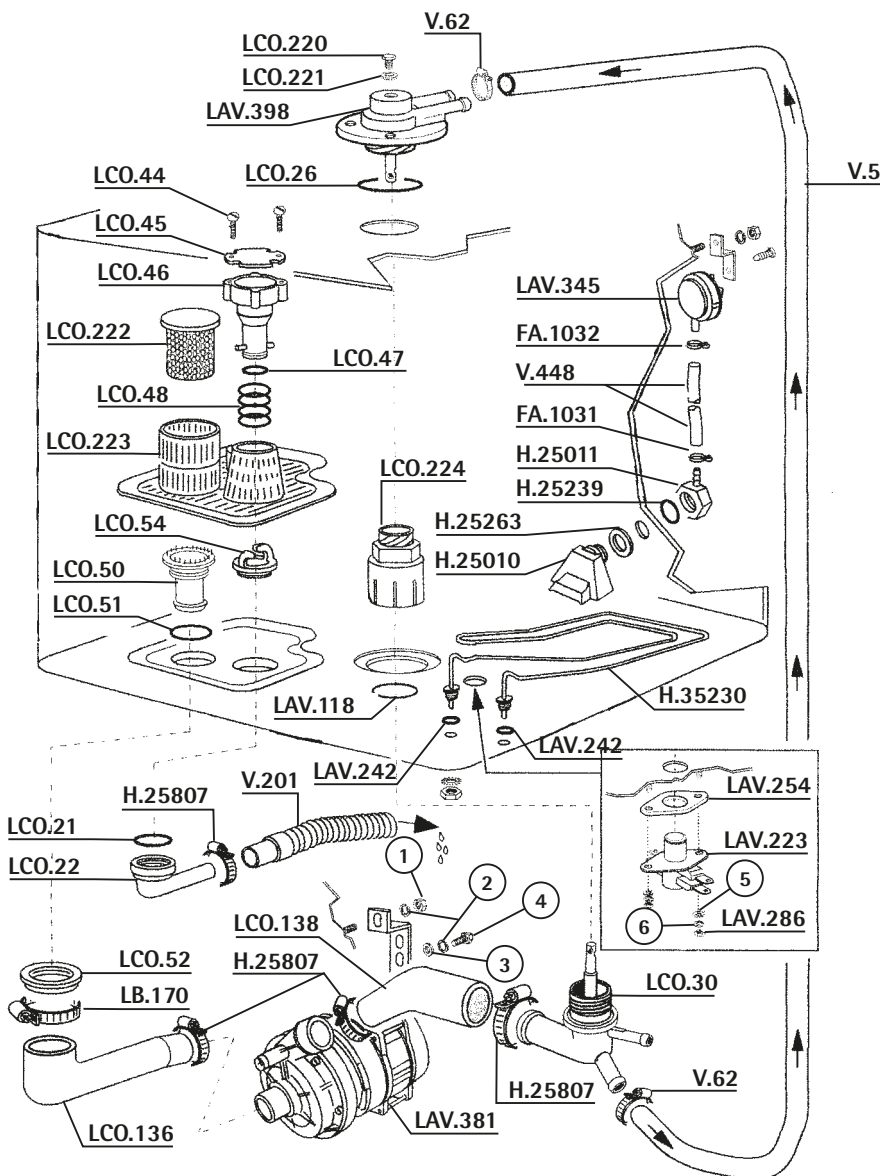
REF.	DESCRIPCIÓN	DESCRIPTION
H25807	ABRAZADERA 25-40	25-40 CLAMP
LAV489	BOMBA DESAGÜE	OUTLET PUMP
LCO.21	JUNTA	GASKET
LCO.22	RACOR DESAGÜE	DRAIN FITTING
LCO.23	BOMBA DESAGÜE	DRAIN PUMP
LCO.26	JUNTA	GASKET
V..206	TUBO DESAGÜE CON CODO	WITH ELBOW OUTLET PIPE





REF.	DESCRIPCIÓN	DESCRIPTION
CL.154	FILTRO ANTIPARASITARIO	ANTIPARASITIC FILTER
LAV.153	TEMPORIZADOR REGE.4MICROS	4TOOTH REGENERATION TIMER
LAV.162	PIE MAQUINA	MACHINE FOOT
LAV.244	CIERRE PUERTA	CLOSING DOOR
LAV.252	TAPON CUBA	TANK CAP
LAV.253	JUNTA TAPON	CAP GASKET
LCO.24	MICROINTERRUPTOR	MICROSWITCH
LCO.124	TUERCA DESAGÜE	DRAIN NUT

Resistencia / Filtro / Motor LB215 -LB215A - LB275 - LB275A ■ LB215 -LB215A - LB275 - LB275A Motor / Filter / Resistance



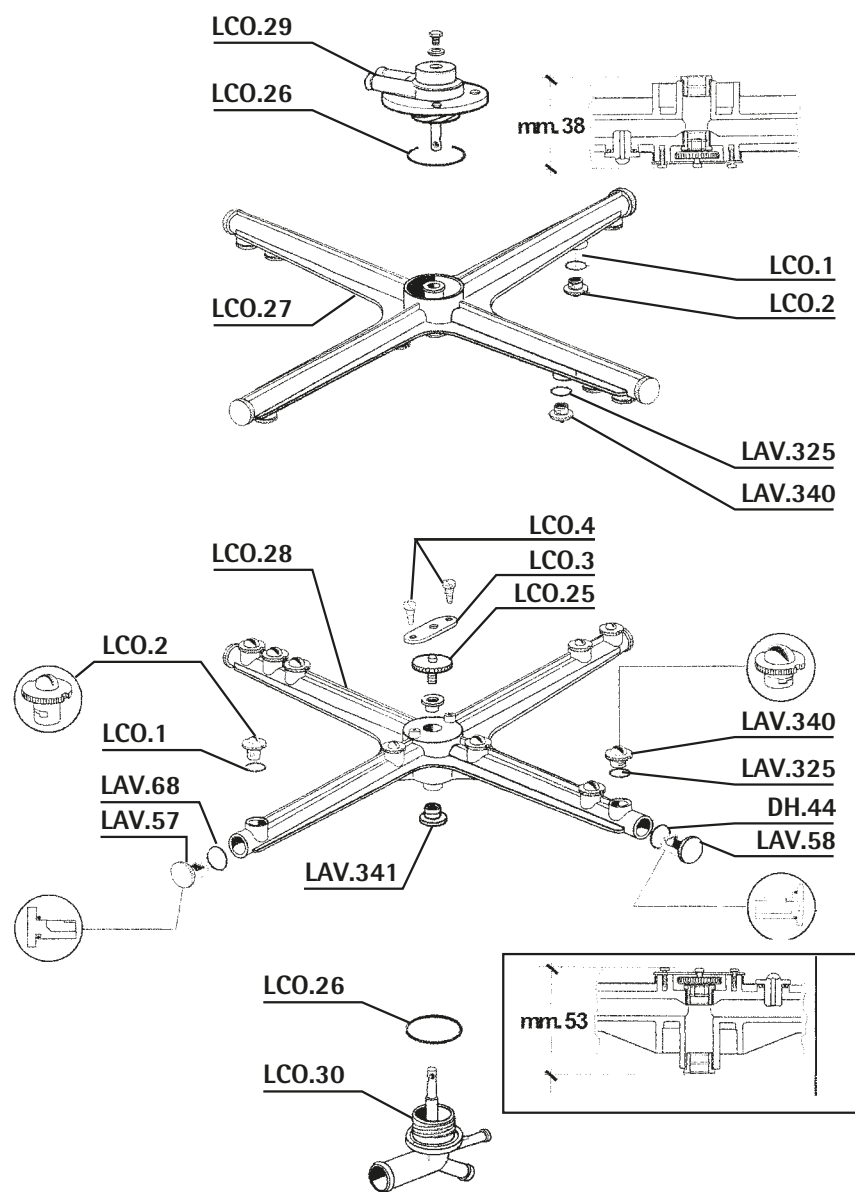
REF.	DESCRIPCIÓN	DESCRIPTION
FA1031	ABRAZADERA INOX 8-16	8-16 INOX CLAMP
FA1032	BRIDA	CLASP
H25010	CAMARA PRESOSTATICA	PRESSURE SWITCH CHAMBER
H25011	RACOR PLASTICO	FITTING
H25239	TORICA CIERRE	CLOSING RING
H25263	JUNTA CIERRE GOMA	CLOSING RUBBER GASKET
H25807	ABRAZADERA 25-40	25-40 CLAMP
H35230	RESISTENCIA CUBA 2000W 230V	2000 W 230V TANK RESISTANCE
LAV.118	TORICA GOMA	RING
LAV.223	TERMOSTATO CUBA B11/12	B-11/12 TANK THERMOSTAT
LAV.242	JUNTA GOMA	RUBBER GASKET
LAV.254	JUNTA TERMOSTATO	THERMOSTAT GASKET
LAV.286	TUERCA INOX	NUT
LAV.345	PRESOSTATO	PRESSURE SWITCH
LAV.381	MOTOR 0,3 HP 230V 50HZ	230V 50HZ 0,3 HP MOTOR
LAV.398	CODO LAVADO / ACLARADO	WASH / RINSE ELBOW
LB.170	ABRAZADERA 40-60	40-60 CLAMP
LCO.21	JUNTA	GASKET
LCO.22	RACOR DESAGÜE	DRAIN FITTING
LCO.26	JUNTA	GASKET
LCO.30	COLECTOR INFERIOR	LOWER COLECTOR
LCO.44	TORNILLO	SCREW
LCO.45	TAPA REBOSADERO	OVERFLOW COVER
LCO.46	REBOSADERO	OVERFLOW
LCO.47	JUNTA	GASKET
LCO.48	MUELLE	SPRING
LCO.50	RACOR DESAGÜE	DRAIN FITTING
LCO.51	JUNTA RACOR DESAGÜE	DRAIN FITTING VINDAGE
LCO.52	TUERCA RACORD DESAGÜE	DRAIN FITTING NUT
LCO.54	TAPON	COVER
LCO.136	MANGUITO	SLEEVE
LCO.138	MANGUITO	SLEEVE
LCO.220	TORNILLO	SCREW
LCO.221	ARANDELA	WASHER
LCO.222	FILTRO	FILTER
LCO.223	BASE FILTRO	FILTER BASE
LCO.224	BASE SOPORTE GIRATORIO	GIRATORY SUPPORT BASE
V....5	TUBO GOMA 10X16 20 ATM	20ATM 10X17 RUBBER PIPE
V...62	ABRAZADERA 12-20	12-20 CLAMP
V.201	TUBO DESAGÜE 28mm. 1,5mt.	28mm. 1.5mt OUTLET PIPE
V.448	TUBO PRESOSTATO-METRO 4X6	4X6 PRE.SWITCH INLET PIPE

Si no encuentra el componente que busca, llámenos, le ayudaremos.

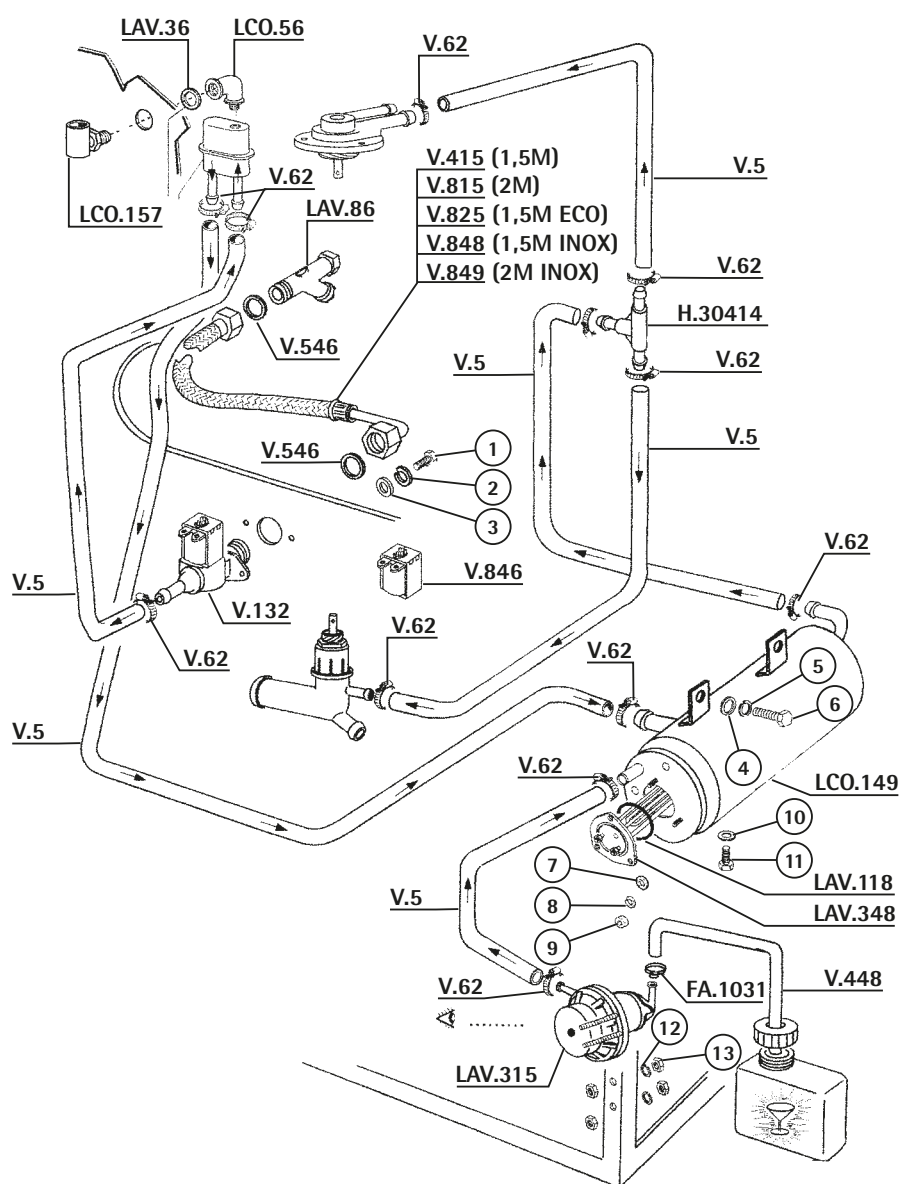


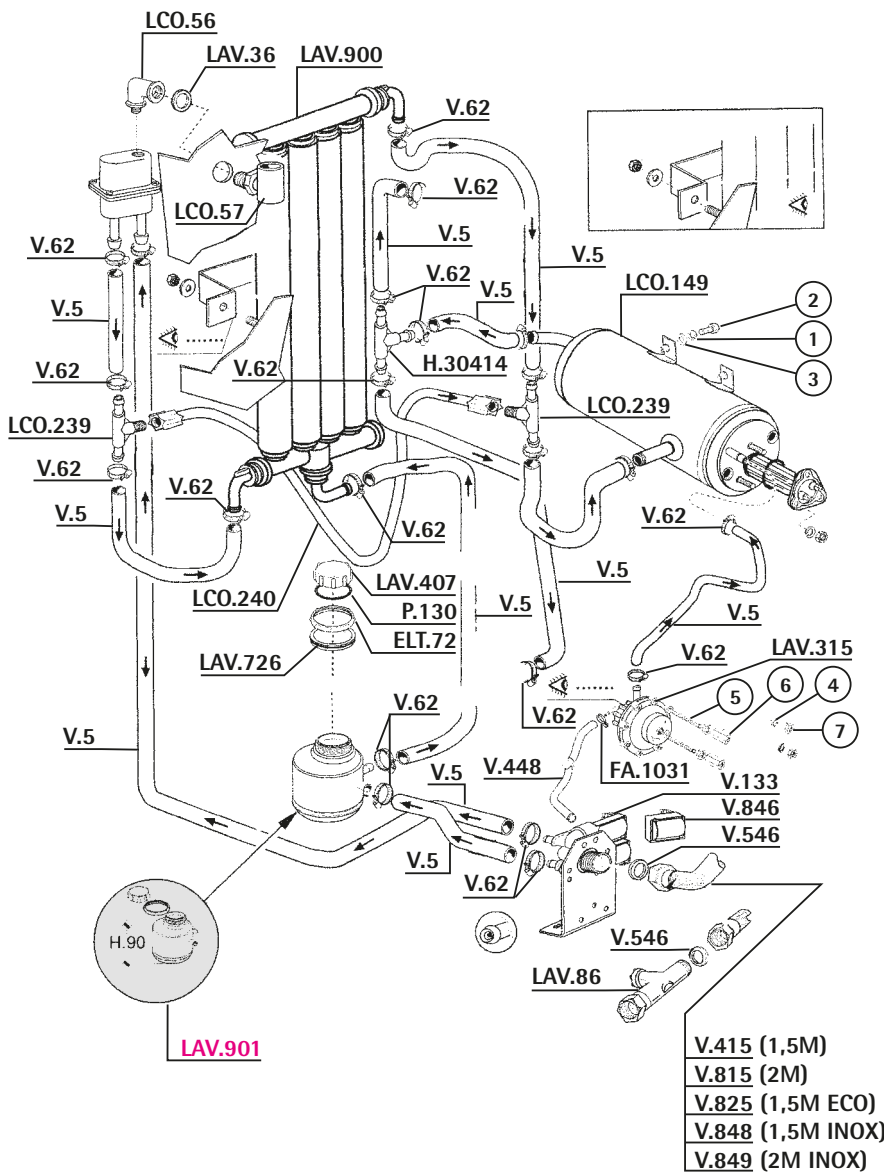
Tel: 93 377 64 11
Fax: 93 377 98 03
ascaso@ascaso.com

REF.	DESCRIPCIÓN	DESCRIPTION
DH..44	TORICA VITON	VITON RING
LAV.57	TAPON GIRATORIO LAVADO	WASHING REVOLVING CAP
LAV.58	TAPON GIRATORIO LAVADO	WASHING REVOLVING CAP
LAV.68	TORICA GOMA EPDM	RUBBER RING
LAV325	FILTRO RETENCION	RETENTION FILTER
LAV340	SURTIDOR LAVADO	WASH SPRAY
LAV341	CASQUILLO	CAP
LCO..1	JUNTA GIRATORIO	GIRATORY GASKET
LCO..2	ROCIADOR	SPRAY
LCO..3	PLETINA	PLATE
LCO..4	TORNILLO	SCREW
LCO.25	TORNILLO	SCREW
LCO.26	JUNTA	GASKET
LCO.27	GIRATORIO SUPERIOR	UPPER GIRATORY
LCO.28	GIRATORIO INFERIOR	LOWER GIRATORY
LCO.29	COLECTOR INFERIOR	UPPER COLECTOR
LCO.30	COLECTOR INFERIOR	LOWER COLECTOR



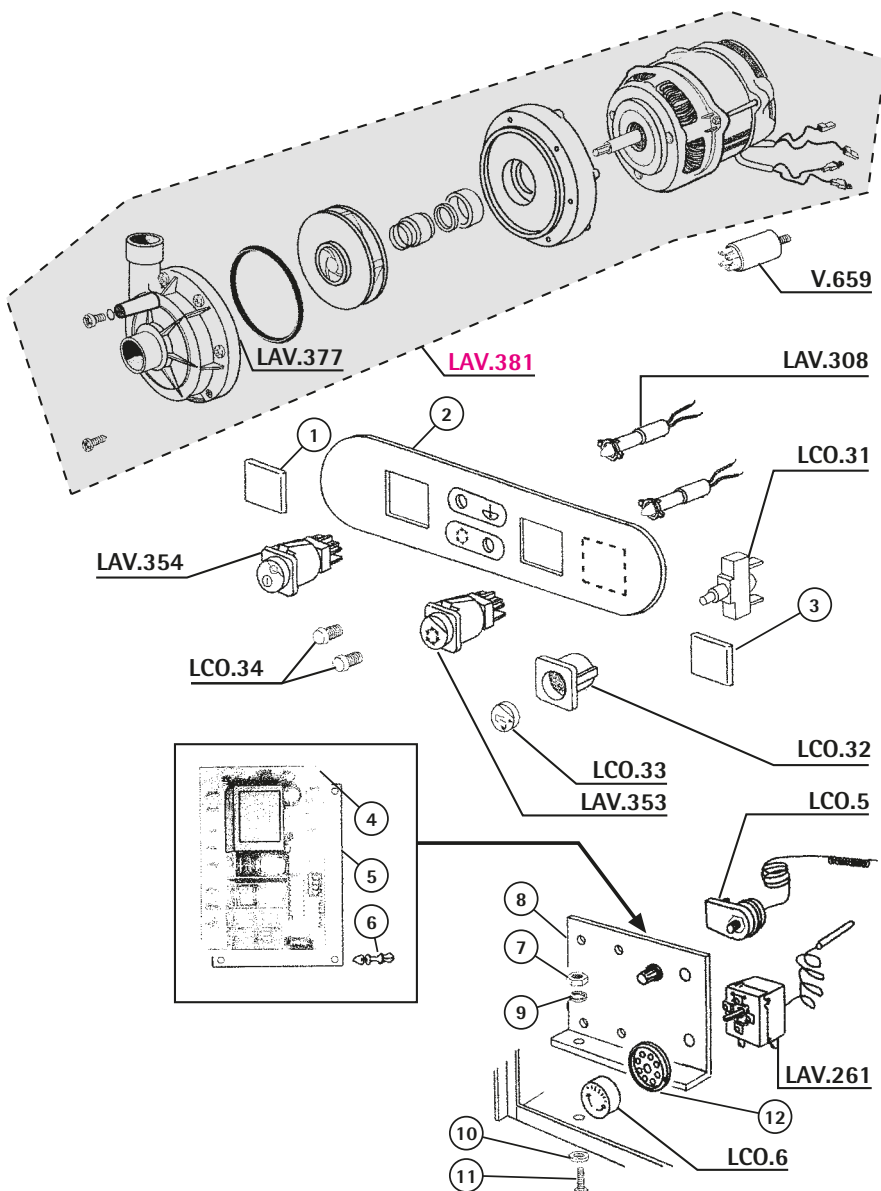
REF.	DESCRIPCIÓN	DESCRIPTION
FA1031	ABRAZADERA INOX 8-16	8-16 INOX CLAMP
H30414	RACOR EMPALME	UNION FITTING
LAV.36	JUNTA ALIMENTARIA	ALIMENTARY GASKET
LAV.86	FILTRO ENTRADA AGUA	INLET FILTER
LAV118	TORICA GOMA	RING
LAV315	DOSIFICADOR ABRILLANTADOR	RINSE AID DOSIMETER
LAV348	RESISTENCIA CALDERIN 2400W	2400W BOILER RESISTANCE
LCO.56	RACOR CODO	ELBOW FITTING
LCO149	CALDERIN	BOILER
LCO157	BOTON CICLO	CICLE BUTTON
V....5	TUBO GOMA 10X16 20 ATM	20ATM 10X17 RUBBER PIPE
V...62	ABRAZADERA 12-20	12-20 CLAMP
V..132	ELECTROVAL.1 VIA LAV.220V	WASH 1 WAY 220V SOLENOID
V..415	TOMA LAVADORA 1,5M	QUALITY 1.5M.INLET W.FLEX
V..448	TUBO PRESOSTATO-METRO 4X6	4X6 PRE.SWITCH INLET PIPE
V..546	JUNTA GOMA 3/4	WATER INLET RUBBER GASKET
V..815	TOMA LAVADORA 2 METROS	2 MT.INLET WATER FLEXIBLE
V..825	TOMA LAVADORA 1.5 "ECO"	"ECO"1.5M INLET WA.FLEXIB
V..846	BOBINA ELECTROV.220/240V	220/240V SOLENOID COIL
V..848	TOMA LAVADORA 1.5M INOX	INOX 1.5M INLET WATER FL.
V..849	TOMA LAV.INOX 2MT.3/4X3/4	INOX 2MT.INLET WATER FLE.





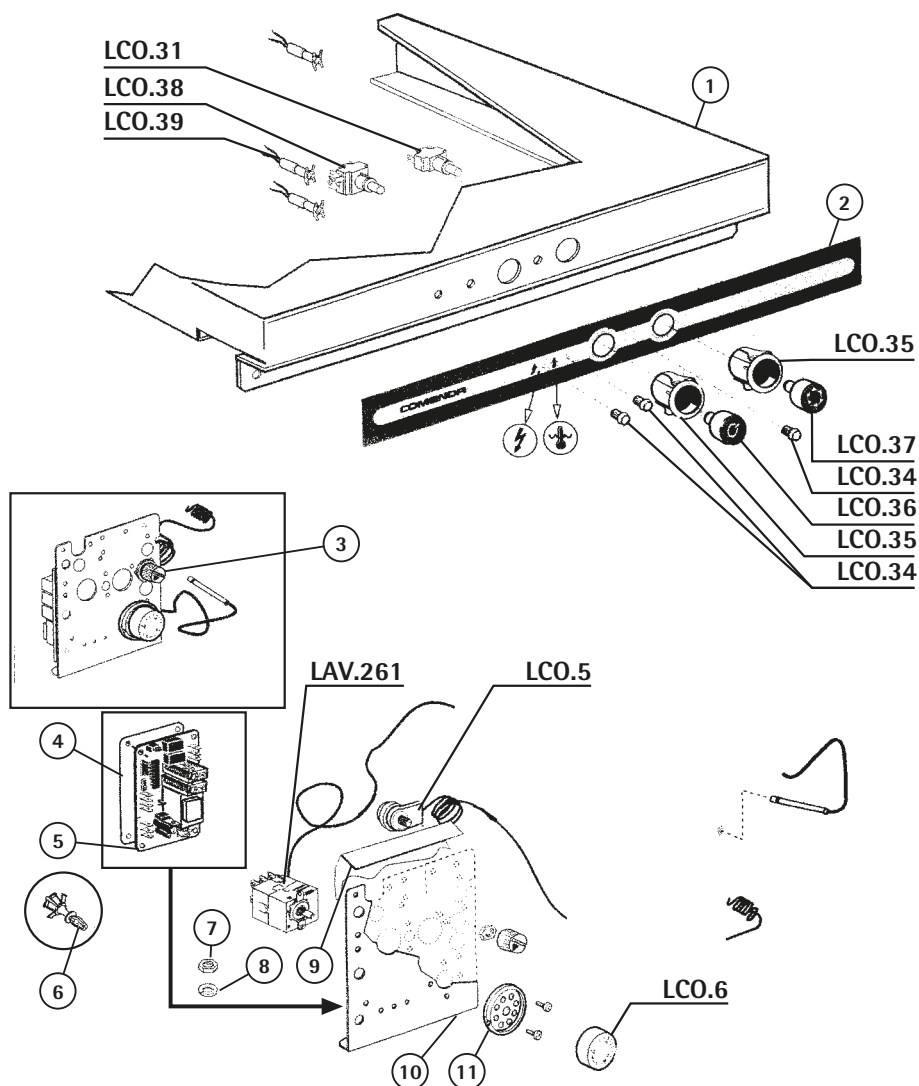
REF.	DESCRIPCIÓN	DESCRIPTION
ELT.72	RACOR DEPOSITO SAL	FITTING SALT CONTAINER
FA1031	ABRAZADERA INOX 8-16	8-16 INOX CLAMP
H30414	RACOR EMPALME	UNION FITTING
LAV.36	JUNTA ALIMENTARIA	ALIMENTARY GASKET
LAV.86	FILTRO ENTRADA AGUA	INLET FILTER
LAV315	DOSIFICADOR ABRILLANTADOR	RINSE AID DOSIMETER
LAV407	TAPON DEPOSITO SAL	SALT TANK CAP
LAV726	JUNTA GOMA BOTELLA SAL	BOTTLE SALT RUBBER GASKET
LAV900	DEPURADOR LAVATAZAS	WASHING CUP PURIFIER
LAV901	DEPOSITO SAL COMPLETO	SALT CONTAINER
LCO.56	RACOR CODO	ELBOW FITTING
LCO.57	RACOR CODO	ELBOW FITTING
LCO149	CALDERIN	BOILER
LCO239	T EMPALME	T ASSEMBLY
LCO240	TUBO EMPALME	PIPE
LCO242	SERVIR LCO149	GO TO LCO242
P.130	TORICA EPDM	RING
V...5	TUBO GOMA 10X16 20 ATM	20ATM 10X17 RUBBER PIPE
V...62	ABRAZADERA 12-20	12-20 CLAMP
V..133	ELECTROVAL.2 VIA LAV.220V	WASH 2 WAYS 220V SOLENOID
V..448	TUBO PRESOSTATO-METRO 4X6	4X6 PRE.SWITCH INLET PIPE
V..546	JUNTA GOMA 3/4	WATER INLET RUBBER GASKET
V..846	BOBINA ELECTROV.220/240V	220/240V SOLENOID COIL

Componentes eléctricos / Motor LB215 -LB215A - LB275 - LB275A ■ LB215 -LB215A - LB275 - LB275A Electric components / Motor

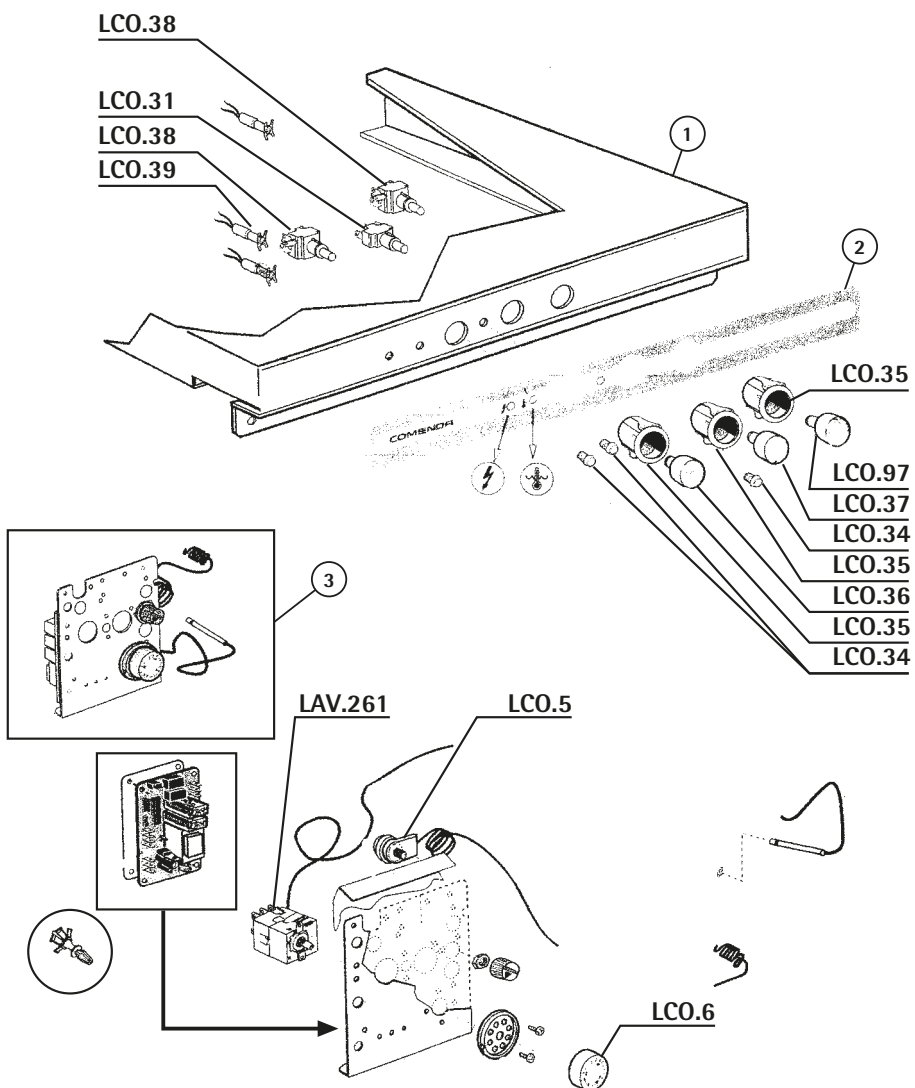


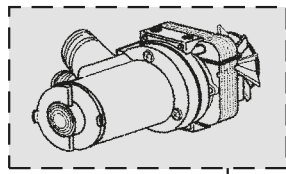
REF.	DESCRIPCIÓN	DESCRIPTION
LAV261	TERMOSTATO CALDERIN	BOILER THERMOSTAT
LAV308	PILOTO	WARNING LAMP
LAV353	PULSADOR	PUSH-BUTTON
LAV354	INTERRUPTOR VERDE	GREEN SWITCH
LAV377	TAPA BOMBA	CANCEL
LAV381	MOTOR 0,3 HP 230V 50HZ	230V 50HZ 0,3 HP MOTOR
LCO..5	TERMOSTATO	THERMOSTAT
LCO..6	MANDO	KNOB
LCO.31	INTERRUPTOR	SWITCH
LCO.32	MARCO INTERRUPTOR	SWITCH FRAME
LCO.33	BOTON INTERRUPTOR	SWITCH BUTTON
LCO.34	TAPON PILOTO	PILOT COVER
V..659	CONDENSADOR 5 MF 220V	220V 5MF CONDENSER

REF.	DESCRIPCIÓN	DESCRIPTION
LAV261	TERMOSTATO CALDERIN	BOILER THERMOSTAT
LCO..5	TERMOSTATO	THERMOSTAT
LCO..6	MANDO	KNOB
LCO.31	INTERRUPTOR	SWITCH
LCO.34	TAPON PILOTO	PILOT COVER
LCO.35	SOPORTE INTERRUPTOR	SWITCH SUPPORT
LCO.36	BOTON ENDENDIDO	ON BUTTON
LCO.37	BOTON CICLO	CICLE BUTTON
LCO.38	INTERRUPTOR	SWITCH
LCO.39	PILOTO 220V	220V PILOT

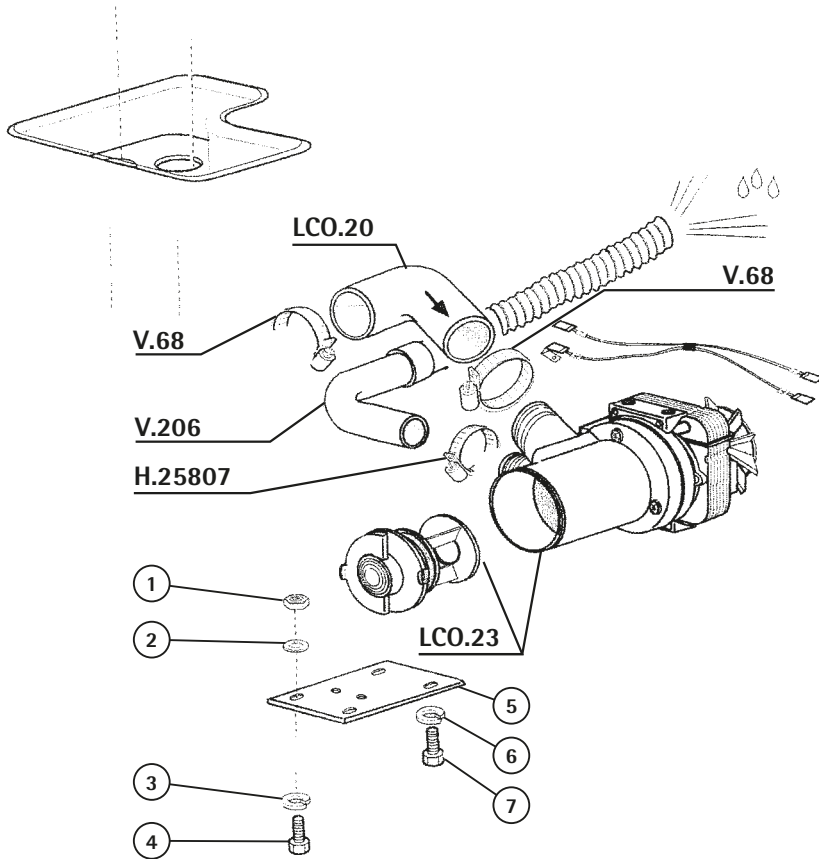


REF.	DESCRIPCIÓN	DESCRIPTION
LAV261	TERMOSTATO CALDERIN	BOILER THERMOSTAT
LCO..5	TERMOSTATO	THERMOSTAT
LCO..6	MANDO	KNOB
LCO.31	INTERRUPTOR	SWITCH
LCO.34	TAPON PILOTO	PILOT COVER
LCO.35	SOPORTE INTERRUPTOR	SWITCH SUPPORT
LCO.36	BOTON ENDENDIDO	ON BUTTON
LCO.37	BOTON CICLO	CICLE BUTTON
LCO.38	INTERRUPTOR	SWITCH
LCO.39	PILOTO 220V	220V PILOT
LCO.97	BOTON DEPURACION	PURIFIER BUTTON



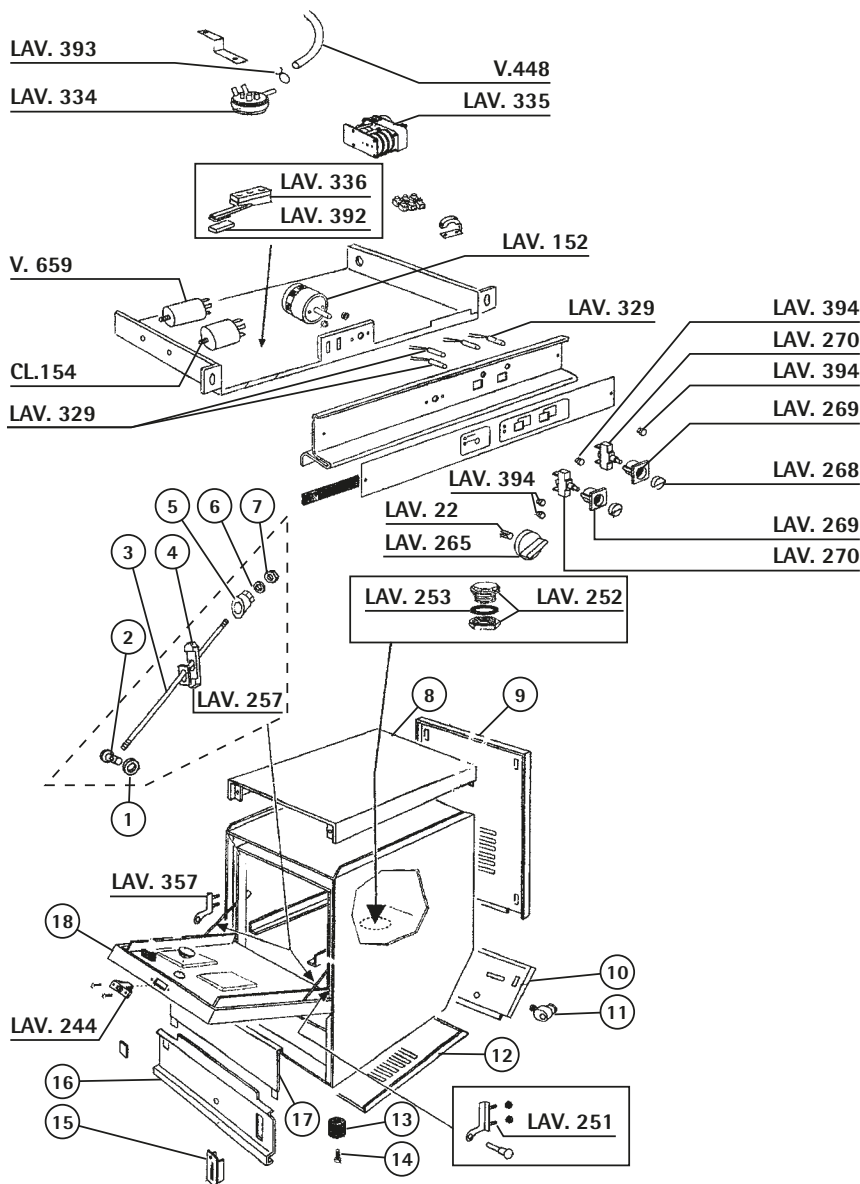


LAV.489



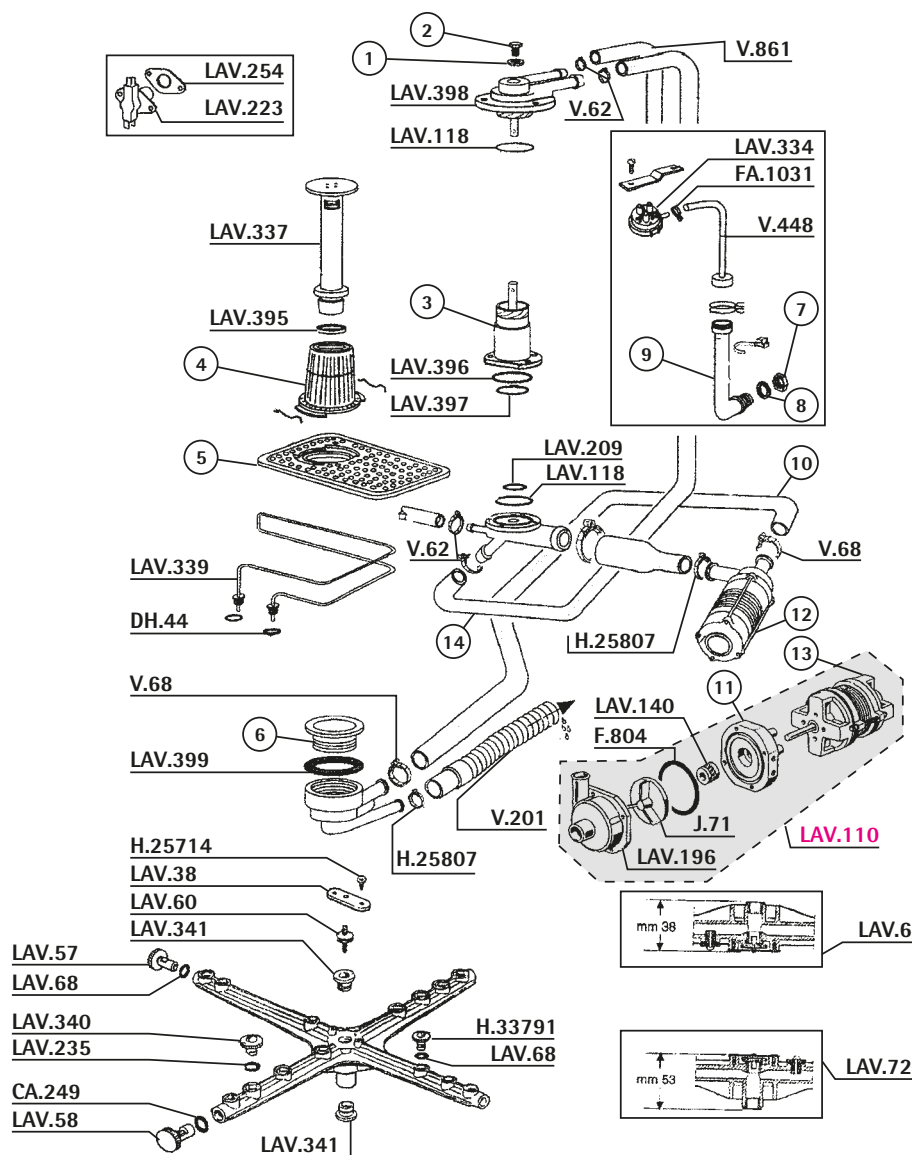
REF.	DESCRIPCIÓN	DESCRIPTION
H25807	ABRAZADERA 25-40	25-40 CLAMP
LAV489	BOMBA DESAGÜE	OUTLET PUMP
LCO.20	CODO	ELBOW
LCO.23	BOMBA DESAGÜE	DRAIN PUMP
V...68	ABRAZADERA 32-50	35-50 CLAMP
V..206	TUBO DESAGÜE CON CODO	WITH ELBOW OUTLET PIPE

Carrocería / Mandos BC-25 ■ BC-25 Handles / Bodywork

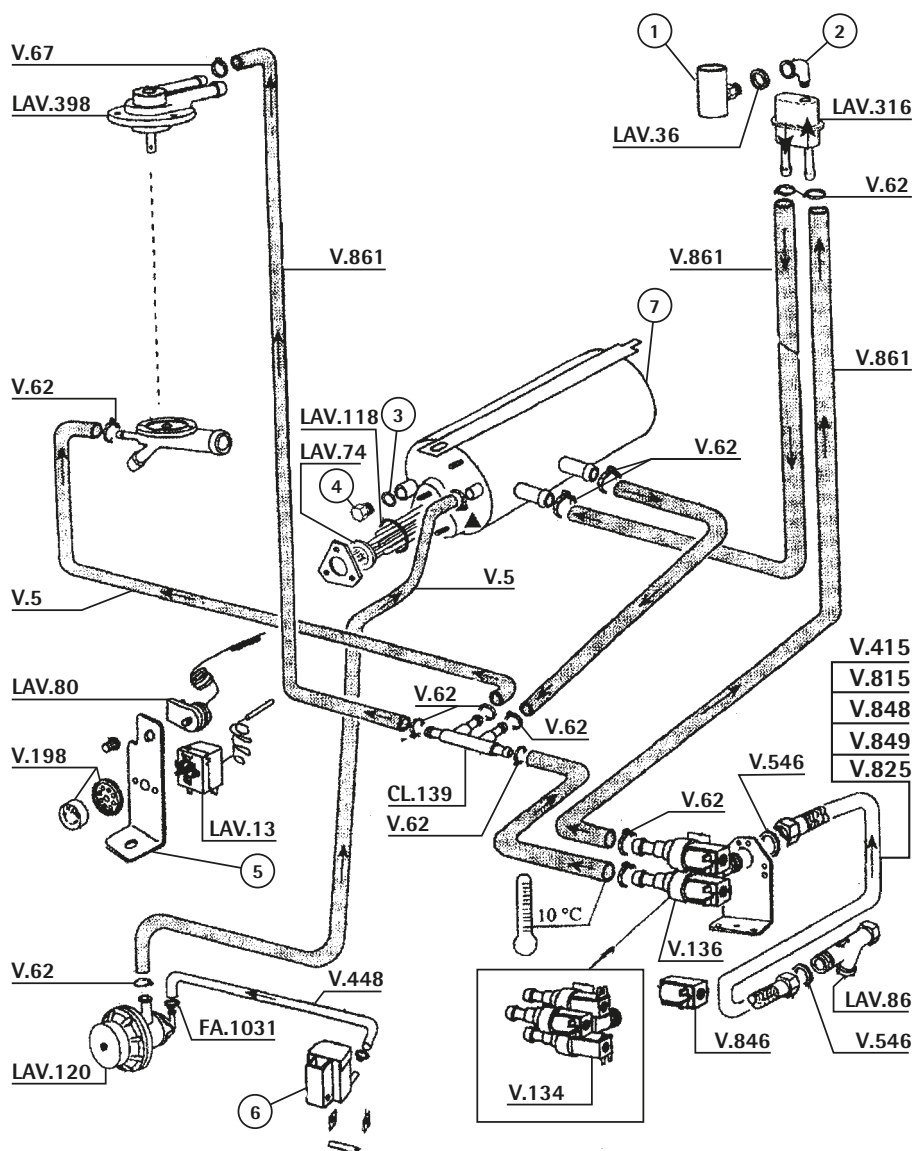


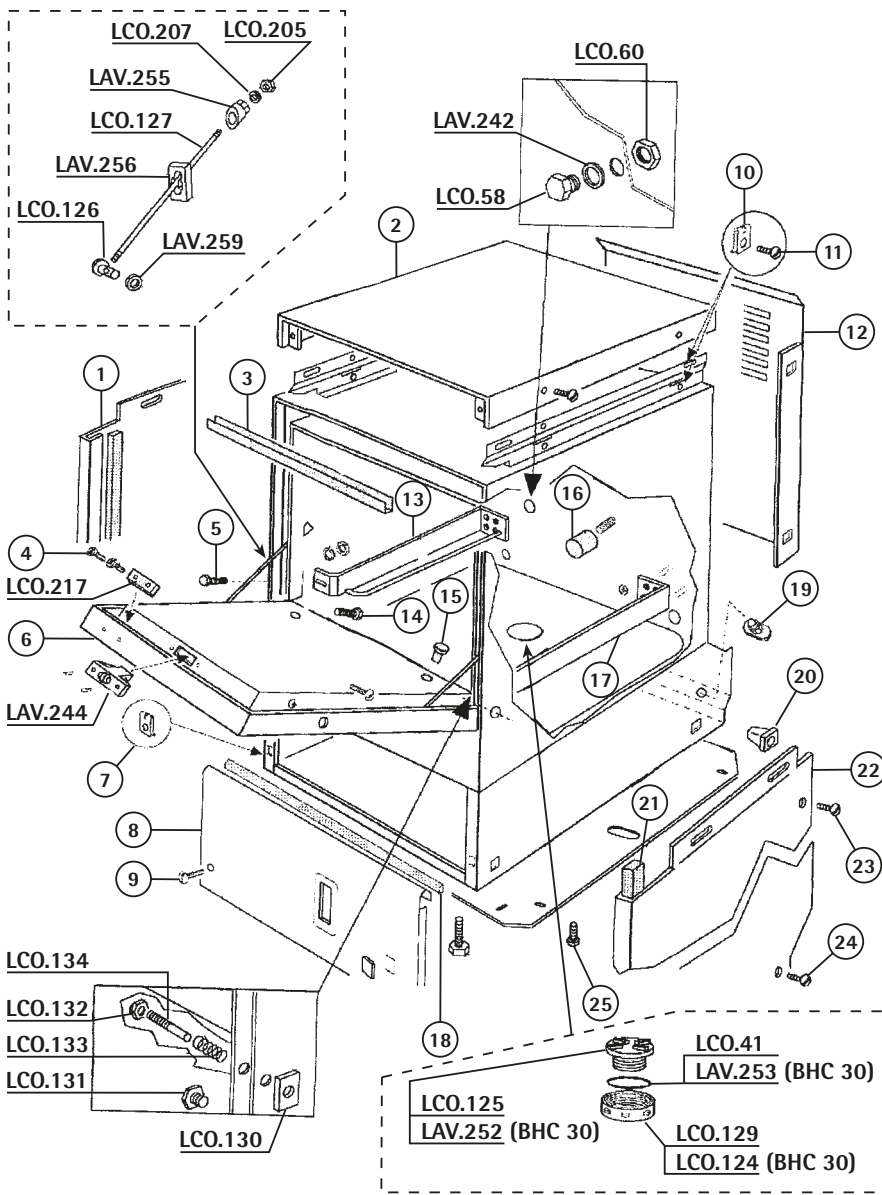
REF.	DESCRIPCIÓN	DESCRIPTION
CL.154	FILTRO ANTIPARASITARIO	ANTIPARASITIC FILTER
LAV.22	ANILLO ELASTICO	ELASTIC RING
LAV152	INTERRUPTOR GENERAL F-45	F-45 GENERAL SWITCH
LAV244	CIERRE PUERTA	CLOSING DOOR
LAV251	BISAGRA	HINGE
LAV252	TAPON CUBA	TANK CAP
LAV253	JUNTA TAPON	CAP GASKET
LAV257	PASADOR RECTANGULAR PEQ.	SMALL SQUARE PIN
LAV265	POMO INTERRUPTOR	SWITCH HANDLE
LAV268	BOTON	BUTTON
LAV269	CARCASA PULSADORES	PUSH BUTTON BODYWORK
LAV270	PULSADOR	PUSH BUTTON
LAV329	LAMPARA PILOTO	LAMP
LAV334	PRESOSTATO	PRESSURE SWITCH
LAV335	PROGRAMADOR 120 SEGUNDOS	120 SECONDS TIMER
LAV336	MICRO	MICRO
LAV357	BISAGRA	HINGE
LAV392	IMAN	MAGNET
LAV393	BRIDA	CLAMP
LAV394	TAPA VERDE PILOTO	LAMP GREEN LID
V.448	TUBO PRESOSTATO-METRO 4X6	4X6 PRE.SWITCH INLET PIPE
V..659	CONDENSADOR 5 MF 220V	220V 5MF CONDENSER

REF.	DESCRIPCIÓN	DESCRIPTION
CA.249	TORICA VALVULA	VALVE RING
DH..44	TORICA VITON	VITON RING
F..804	TORICA	RING
FA1031	ABRAZADERA INOX 8-16	8-16 INOX CLAMP
H25714	TORNILLO INOX	INOX SCREW
H25807	ABRAZADERA 25-40	25-40 CLAMP
H33791	RACOR ACLARADO	CLEAR FITTING
J...71	TURBINA	TURBINE
LAV..6	GIRATORIO LAVADO BC-25	BC-25 WASHING GYRATORY
LAV.38	PLACA	PLATE
LAV.57	TAPON GIRATORIO LAVADO	WASHING REVOLVING CAP
LAV.58	TAPON GIRATORIO LAVADO	WASHING REVOLVING CAP
LAV.60	TORNILLO FIJAR GIRATORIO	SCREW
LAV.68	TORICA GOMA EPDM	RUBBER RING
LAV.72	GIRATORIO LAVADO F-20	F-20 WASHING GYRATORY
LAV110	MOTOR 0.3 Hp. B-13 A 19	0.3 HP B-13 TO B-19 MOTOR
LAV118	TORICA GOMA	RING
LAV140	RETEN EJE BOMBA	MECHANICAL SEAL
LAV196	TAPA MOTOR	MOTOR LID
LAV209	TORICA SOPORTE GIRATORIO	SUPPORT RING
LAV223	TERMOSTATO CUBA B11/12	B-11/12 TANK THERMOSTAT
LAV235	TORICA GOMA	RING
LAV254	JUNTA TERMOSTATO	THERMOSTAT GASKET
LAV334	PRESOSTATO	PRESSURE SWITCH
LAV337	TUBO REBOSADERO	OVERFLOW PIPE
LAV339	RESISTENCIA CUBA 1275W 230V	1275 W 230V TANK RESISTANCE
LAV340	SURTIDOR LAVADO	WASH SPRAY
LAV341	CASQUILLO	CAP
LAV395	JUNTA REBOSADERO	OUTLET GASKET
LAV396	JUNTA	GASKET
LAV397	JUNTA	GASKET
LAV399	JUNTA GOMA	RUBBER GASKET
LAV398	CODO LAVADO / ACLARADO	WASH / RINSE ELBOW
V...62	ABRAZADERA 12-20	12-20 CLAMP
V...68	ABRAZADERA 32-50	35-50 CLAMP
V..201	TUBO DESAGÜE 28mm. 1,5mt.	28mm. 1.5mt OUTLET PIPE
V..448	TUBO PRESOSTATO-METRO 4X6	4X6 PRE.SWITCH INLET PIPE
V..861	TUBO GOMA 12X22mm 20ATM	20ATM 12X22mm RUBBER PIPE



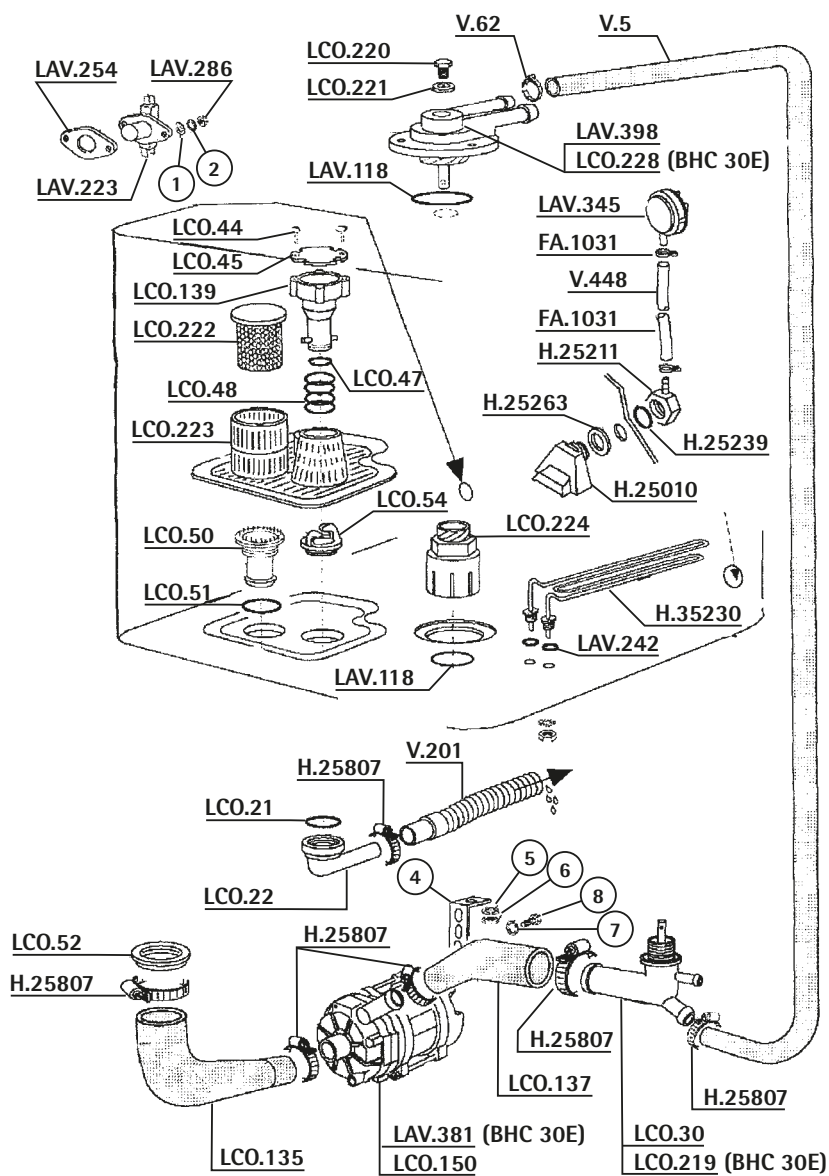
REF.	DESCRIPCIÓN	DESCRIPTION
CL.139	"T" EMPALME	UNION
FA1031	ABRAZADERA INOX 8-16	8-16 INOX CLAMP
LAV.13	TERMOSTATO CALDERIN 90°	90° BOILER THERMOSTAT
LAV.36	JUNTA ALIMENTARIA	ALIMENTARY GASKET
LAV.74	RESIST.CALDERIN 3200W 230V	3200W 230V BOILER RESISTANCE
LAV.80	TERMOSTATO SEGURIDAD 110°	110° SAFETY THERMOSTAT
LAV.86	FILTRO ENTRADA AGUA	INLET FILTER
LAV118	TORICA GOMA	RING
LAV120	DOSIFICADOR ABRILLANTADOR	RINSE AID DOSIMETER
LAV316	RACOR 3 VIAS	3 WAYS FITTING
LAV398	CODO LAVADO / ACLARADO	WASH / RINSE ELBOW
V...5	TUBO GOMA 10X16 20 ATM	20ATM 10X17 RUBBER PIPE
V...62	ABRAZADERA 12-20	12-20 CLAMP
V...67	ABRAZADERA 16-27	16-27 CLAMP
V..134	ELECTROVAL.3VIA LAV.220V	WASH 3 WAYS 220V SOLENOID
V..136	ELECT.2 VIAS SAL.VERTICAL	VERTICAL EXIT 2 WAY SOLEN
V..198	MANDO TERMOSTATO 90°	90° THERMOSTAT HANDLE
V..415	TOMA LAVADORA 1,5M	QUALITY 1.5M.INLET W.FLEX
V..448	TUBO PRESOSTATO-METRO 4X6	4X6 PRE.SWITCH INLET PIPE
V..546	JUNTA GOMA 3/4	WATER INLET RUBBER GASKET
V..815	TOMA LAVADORA 2 METROS	2 MT.INLET WATER FLEXIBLE
V..825	TOMA LAVADORA 1.5 "ECO"	"ECO"1.5M INLET WA.FLEXIB
V..846	BOBINA ELECTROV.220/240V	220/240V SOLENOID COIL
V..848	TOMA LAVADORA 1.5M INOX	INOX 1.5M INLET WATER FL.
V..849	TOMA LAV.INOX 2MT.3/4X3/4	INOX 2MT.INLET WATER FLE.
V..861	TUBO GOMA 12X22mm 20ATM	20ATM 12X22mm RUBBER PIPE





REF.	DESCRIPCIÓN	DESCRIPTION
LAV242	JUNTA GOMA	RUBBER GASKET
LAV244	CIERRE PUERTA	CLOSING DOOR
LAV252	TAPON CUBA	TANK CAP
LAV253	JUNTA TAPON	CAP GASKET
LAV255	CASQUILLO EJE PUERTA	DOOR ROD COP
LAV256	PASADOR RECTANGUL.GRANDE	BIG SQUARE PIN
LAV259	JUNTA NYLON	NYLON GASKET
LCO.41	PATA	FOOT
LCO.58	RACOR	FITTING
LCO.60	TUERCA	NUT
LCO124	TUERCA DESAGÜE	DRAIN NUT
LCO125	TAPON DESAGÜE	DRAIN COVER
LCO126	ALOJAMIENTO EJE PUERTA	DOOR ROD LODGING
LCO127	VARILLA PUERTA	DOOR ROD
LCO129	TUERCA DESAGÜE	DRAIN NUT
LCO130	PLACA	PLATE
LCO131	TORNILLO	SCREW
LCO132	TUERCA	NUT
LCO133	MUELLE	SPRING
LCO134	PASADOR	PIN
LCO205	TUERCA	NUT
LCO207	ARANDELA	WASHER
LCO217	IMAN	MAGNET

Motor / Resistencia / Filtro BHC25 - BHC30 - BHC30E - BHC433 ■ BHC25 - BHC30 - BHC30E - BHC433 Filter / Resistance / Motor



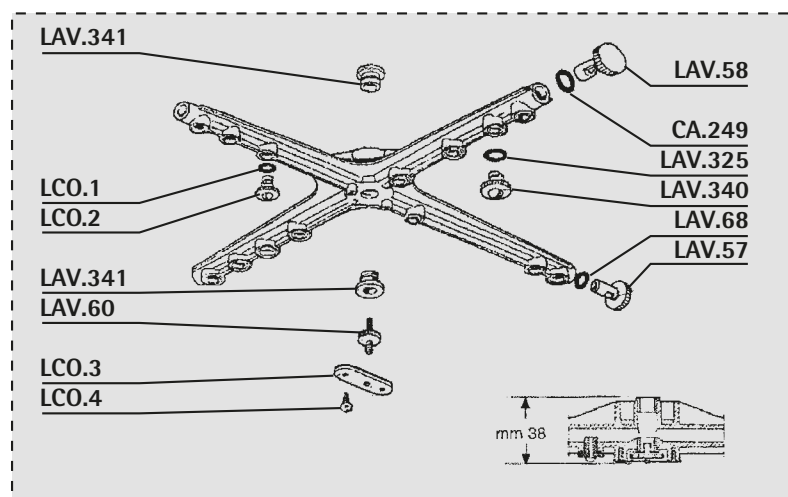
REF.	DESCRIPCIÓN	DESCRIPTION
FA1031	ABRAZADERA INOX 8-16	8-16 INOX CLAMP
H25010	CAMARA PRESOSTATICA	PRESSURE SWITCH CHAMBER
H25211	VALVULA ABRILLANTADOR	VALVE
H25239	TORICA CIERRE	CLOSING RING
H25263	JUNTA CIERRE GOMA	CLOSING RUBBER GASKET
H25807	ABRAZADERA 25-40	25-40 CLAMP
H35230	RESISTENCIA CUBA 2000W 230V	2000 W 230V TANK RESISTANCE
LAV118	TORICA GOMA	RING
LAV223	TERMOSTATO CUBA B11/12	B-11/12 TANK THERMOSTAT
LAV242	JUNTA GOMA	RUBBER GASKET
LAV254	JUNTA TERMOSTATO	THERMOSTAT GASKET
LAV286	TUERCA INOX	NUT
LAV345	PRESOSTATO	PRESSURE SWITCH
LAV381	MOTOR 0,3 HP 230V 50HZ	230V 50HZ 0,3 HP MOTOR
LAV398	CODO LAVADO / ACLARADO	WASH / RINSE ELBOW
LCO.21	JUNTA	GASKET
LCO.22	RACOR DESAGÜE	DRAIN FITTING
LCO.30	COLECTOR INFERIOR	LOWER COLECTOR
LCO.44	TORNILLO	SCREW
LCO.45	TAPA REBOSADERO	OVERFLOW COVER
LCO.47	JUNTA	GASKET
LCO.48	MUELLE	SPRING
LCO.50	RACOR DESAGÜE	DRAIN FITTING
LCO.51	JUNTA RACOR DESAGÜE	DRAIN FITTING VINDAGE
LCO.52	TUERCA RACORD DESAGÜE	DRAIN FITTING NUT
LCO.54	TAPON	COVER
LCO135	MANGUITO	SLEEVE
LCO137	MANGUITO	SLEEVE
LCO139	REBOSADERO	OVERFLOW
LCO150	MOTOR 0,3HP	0,3HP MOTOR
LCO219	COLECTOR INFERIOR BHC30E	BHC30E LOWER COLECTOR
LCO220	TORNILLO	SCREW
LCO221	ARANDELA	WASHER
LCO222	FILTRO	FILTER
LCO223	BASE FILTRO	FILTER BASE
LCO224	BASE SOPORTE GIRATORIO	GIRATORY SUPPORT BASE
LCO228	COLECTOR SUPERIOR	UPPER COLECTOR
V....5	TUBO GOMA 10X16 20 ATM	20ATM 10X17 RUBBER PIPE
V..62	ABRAZADERA 12-20	12-20 CLAMP
V..201	TUBO DESAGÜE 28mm. 1,5mt.	28mm. 1.5mt OUTLET PIPE
V..448	TUBO PRESOSTATO-METRO 4X6	4X6 PRE.SWITCH INLET PIPE

If you cannot find the component you are looking for, do contact us. We will help you.

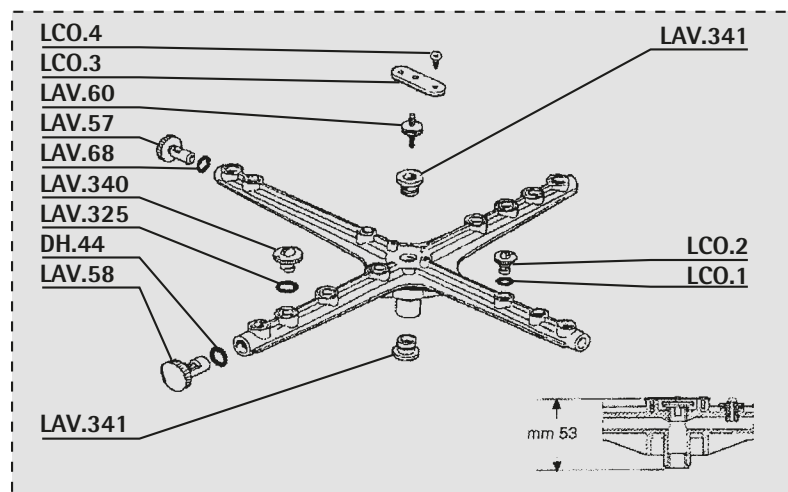


Tel: 93 377 64 11
Fax: 93 377 98 03
ascaso@ascaso.com

REF.	DESCRIPCIÓN	DESCRIPTION
CA.249	TORICA VALVULA	VALVE RING
DH..44	TORICA VITON	VITON RING
LAV..6	GIRATORIO LAVADO BC-25	BC-25 WASHING GYRATORY
LAV.57	TAPON GIRATORIO LAVADO	WASHING REVOLVING CAP
LAV.58	TAPON GIRATORIO LAVADO	WASHING REVOLVING CAP
LAV.60	TORNILLO FIJAR GIRATORIO	SCREW
LAV.68	TORICA GOMA EPDM	RUBBER RING
LAV.72	GIRATORIO LAVADO F-20	F-20 WASHING GYRATORY
LAV325	FILTRO RETENCION	RETENTION FILTER
LAV340	SURTIDOR LAVADO	WASH SPRAY
LAV341	CASQUILLO	CAP
LCO..1	JUNTA GIRATORIO	GIRATORY GASKET
LCO..2	ROCIADOR	SPRAY
LCO..3	PLETINA	PLATE
LCO..4	TORNILLO	SCREW

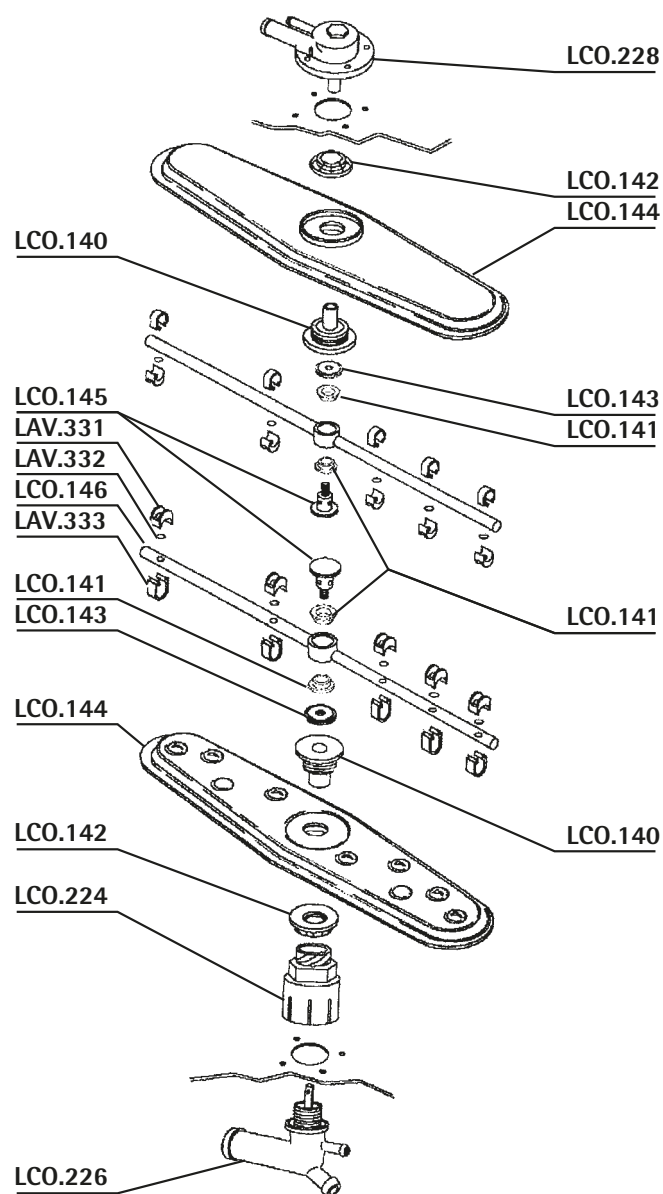


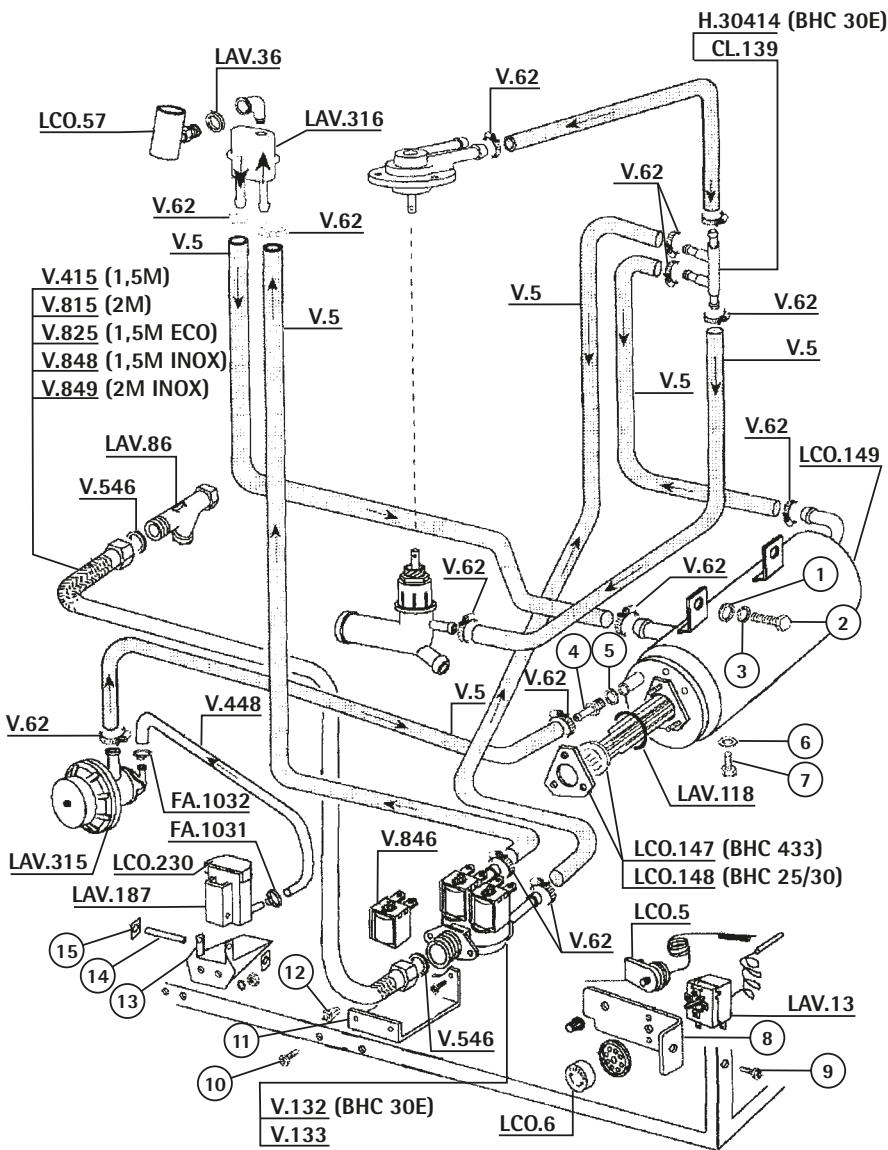
LAV.6



LAV.72

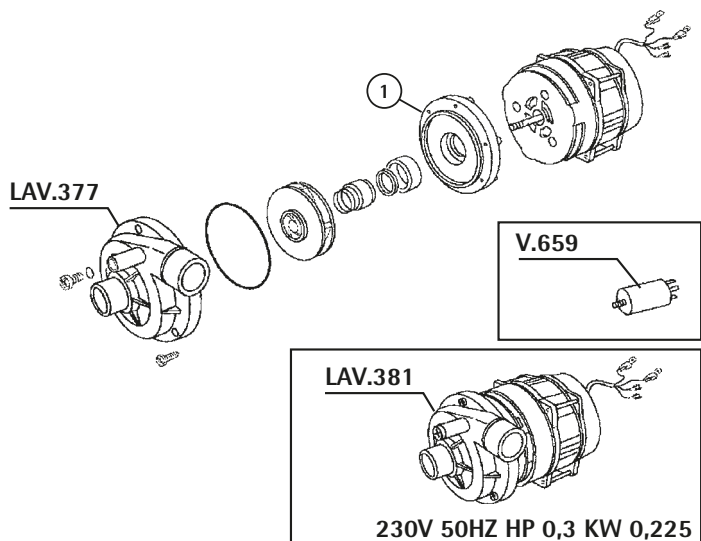
REF.	DESCRIPCIÓN	DESCRIPTION
LAV331	SURTIDOR ACLARADO	RINSE SPRAY
LAV332	TORICA GOMA	RUBER GASKET
LAV333	BRIDA SUJETA SURTIDOR	CLASP
LCO140	EJE GIRATORIO LAVADO	WASHING GIRATORY ROD
LCO141	CASQUILLO	CAP
LCO142	CASQUILLO	CAP
LCO143	JUNTA	GASKET
LCO144	GIRATORIO LAVADO	WASHING GIRATORY
LCO145	EJE GIRATORIO ACLARADO	GIRATORY ROD
LCO146	GIRATORIO COMPLETO ACLARADO	RINSE COMPLET GIRATORY
LCO224	BASE SOPORTE GIRATORIO	GIRATORY SUPPORT BASE
LCO228	COLECTOR SUPERIOR	UPPER COLECTOR





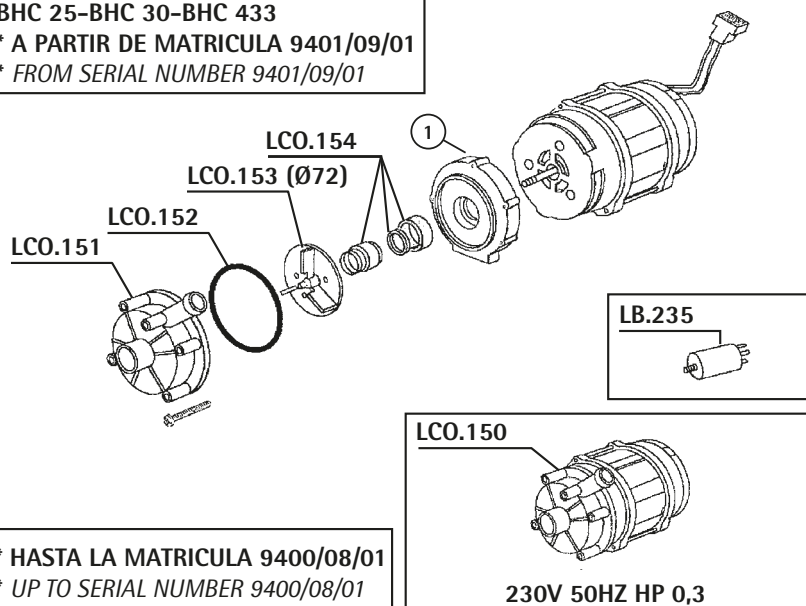
REF.	DESCRIPCIÓN	DESCRIPTION
CL.139	"T" EMPALME	UNION
FA1031	ABRAZADERA INOX 8-16	8-16 INOX CLAMP
FA1032	BRIDA	CLASP
H30414	RACOR EMPALME	UNION FITTING
LAV.13	TERMOSTATO CALDERIN 90°	90° BOILER THERMOSTAT
LAV.36	JUNTA ALIMENTARIA	ALIMENTARY GASKET
LAV.86	FILTRO ENTRADA AGUA	INLET FILTER
LAV.118	TORICA GOMA	RING
LAV.187	DEPOSITO ABRILLANTADOR	RINSE AID CONTAINER
LAV.315	DOSIFICADOR ABRILLANTADOR	RINSE AID DOSIMETER
LAV.316	RACOR 3 VIAS	3 WAYS FITTING
LCO.5	TERMOSTATO	THERMOSTAT
LCO.6	MANDO	KNOB
LCO.57	RACOR CODO	ELBOW FITTING
LCO.147	RESISTENCIA 5 KW	5KW RESISTANCE
LCO.148	RESISTENCIA 3,2 KW	3,2KW RESISTANCE
LCO.149	CALDERIN	BOILER
LCO.230	TAPA DEPOSITO ABRILLANTADOR	RINSE AID CONTAINER COVER
V....5	TUBO GOMA 10X16 20 ATM	20ATM 10X17 RUBBER PIPE
V...62	ABRAZADERA 12-20	12-20 CLAMP
V.132	ELECTROVAL.1 VIA LAV.220V	WASH 1 WAY 220V SOLENOID
V.133	ELECTROVAL.2 VIA LAV.220V	WASH 2 WAYS 220V SOLENOID
V.415	TOMA LAVADORA 1,5M	QUALITY 1.5M.INLET W.FLEX
V.448	TUBO PRESOSTATO-METRO 4X6	4X6 PRE.SWITCH INLET PIPE
V.546	JUNTA GOMA 3/4	WATER INLET RUBBER GASKET
V.815	TOMA LAVADORA 2 METROS	2 MT.INLET WATER FLEXIBLE
V.825	TOMA LAVADORA 1.5 "ECO"	"ECO"1.5M INLET WA.FLEXIB
V.846	BOBINA ELECTROV.220/240V	220/240V SOLENOID COIL
V.848	TOMA LAVADORA 1.5M INOX	INOX 1.5M INLET WATER FL.
V.849	TOMA LAV.INOX 2MT.3/4X3/4	INOX 2MT.INLET WATER FLE

Motor BHC25 - BHC30 - BHC30E - BHC433 ■ BHC25 - BHC30 - BHC30E - BHC433 Motor



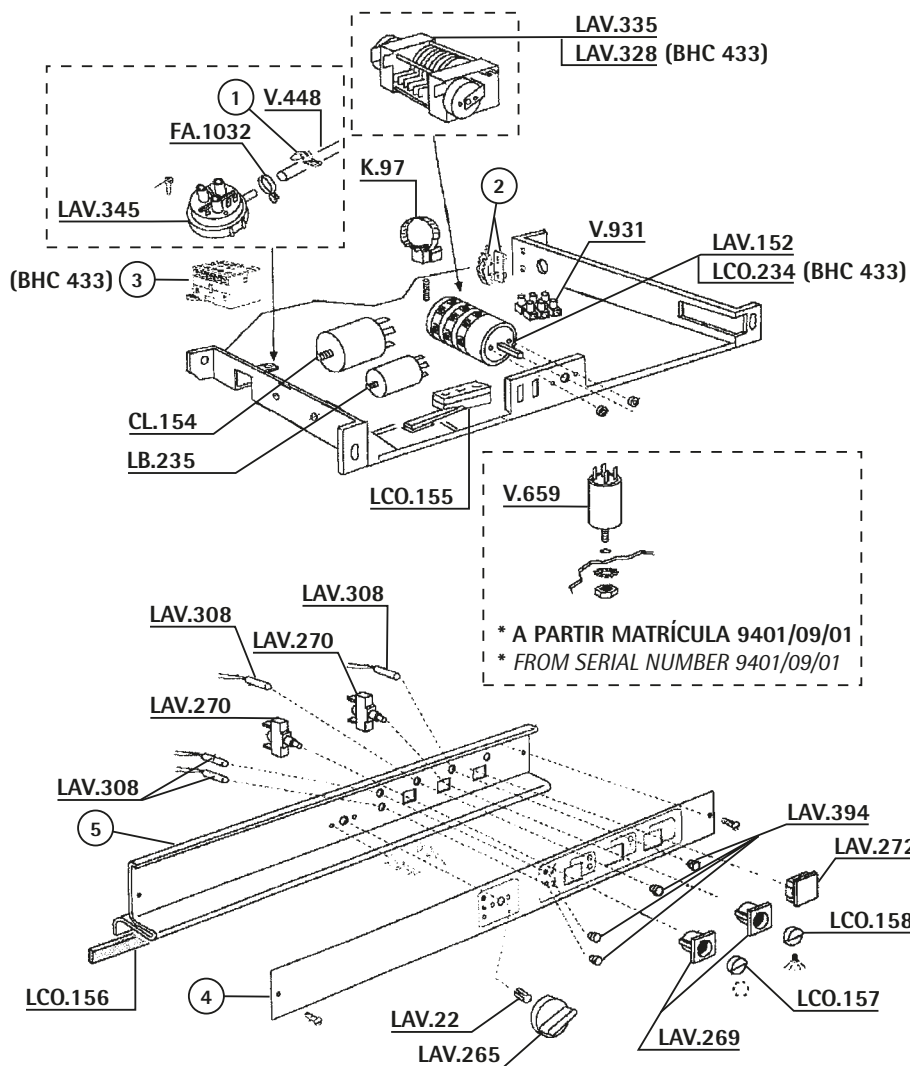
REF.	DESCRIPCIÓN	DESCRIPTION
LAV377	TAPA BOMBA	CANCEL
LAV381	MOTOR 0,3 HP 230V 50HZ	230V 50HZ 0,3 HP MOTOR
LB.235	CONDENSADOR 6,3 MF	6,3 MF CONDENSER
LCO150	MOTOR 0,3HP	0,3HP MOTOR
LCO151	TAPA MOTOR	MOTOR LID
LCO152	JUNTA TAPA MOTOR	MOTOR LID GASKET
LCO153	TURBINA 72MM	72MM TURBINE
LCO154	RETEN MOTOR	MECHANICAL SEAL
V..659	CONDENSADOR 5 MF 220V	220V 5MF CONDENSER

BHC 25-BHC 30-BHC 433
 * A PARTIR DE MATRICULA 9401/09/01
 * FROM SERIAL NUMBER 9401/09/01

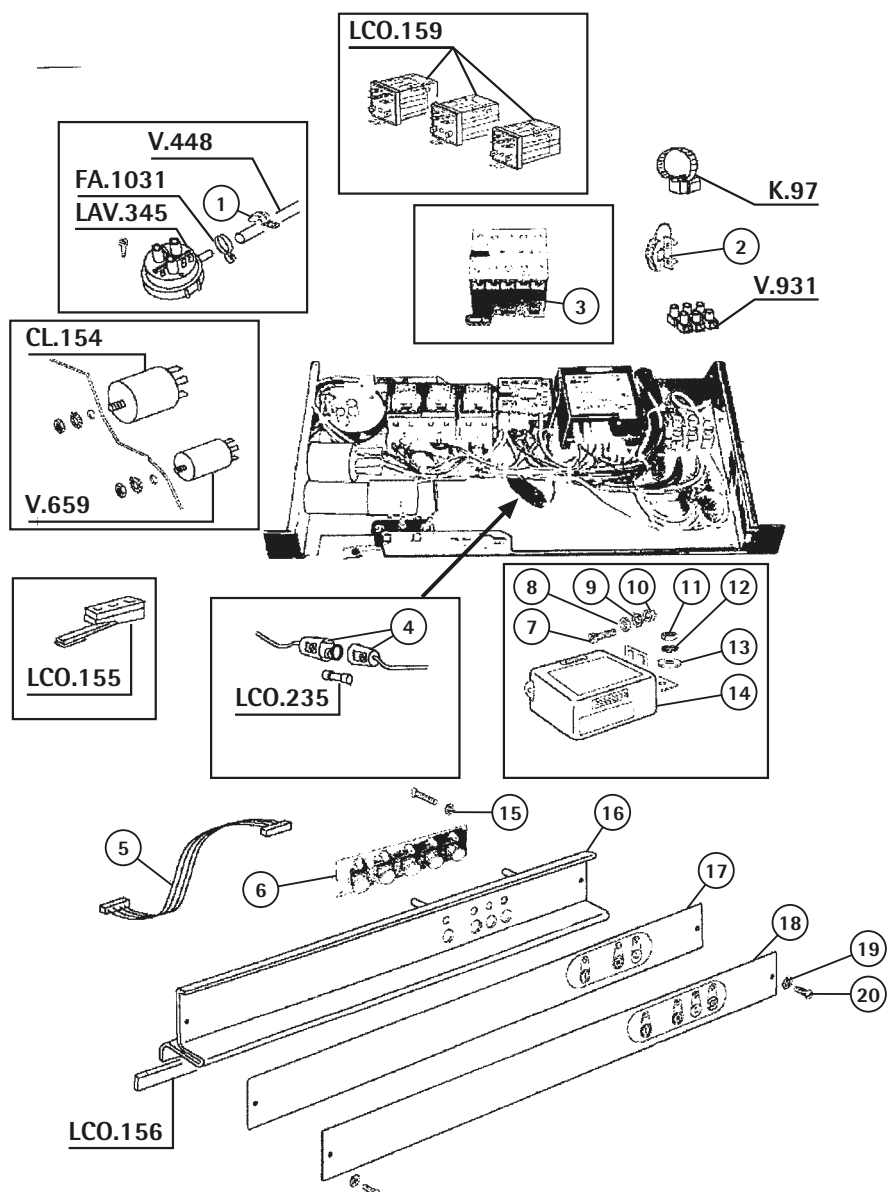


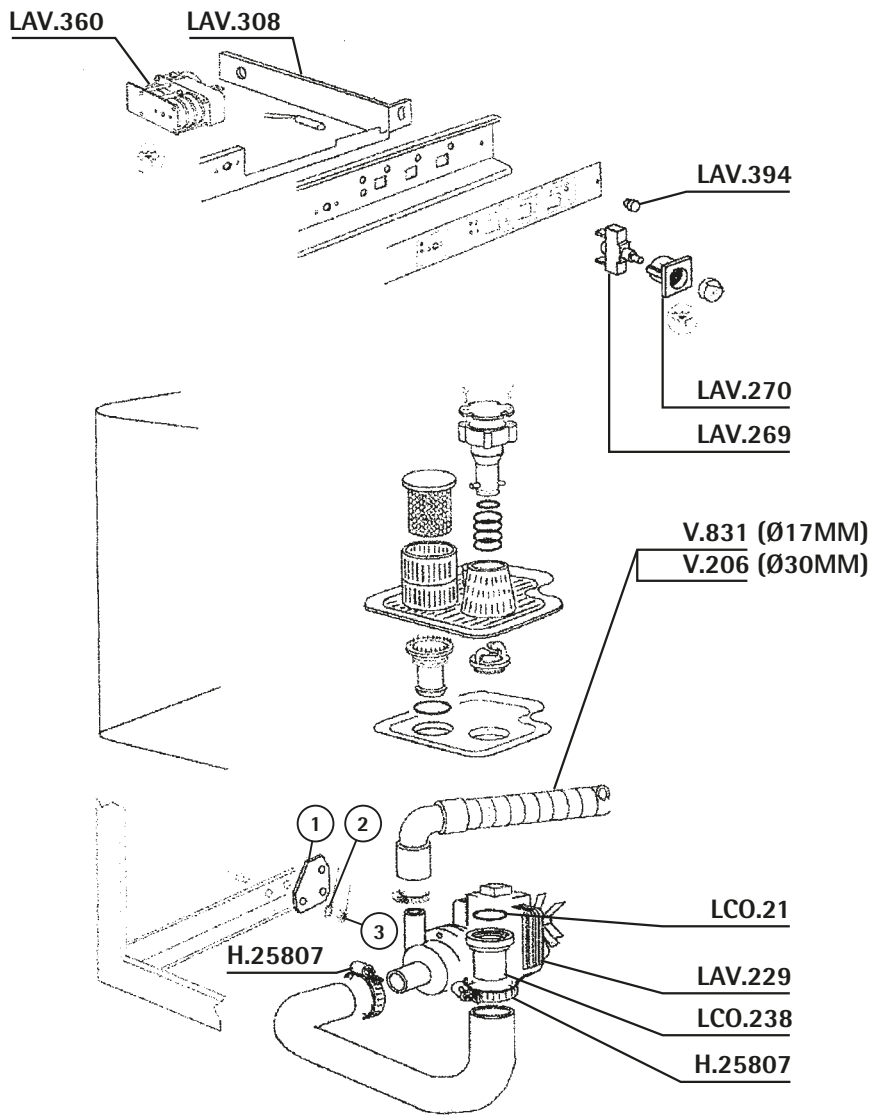
* HASTA LA MATRICULA 9400/08/01
 * UP TO SERIAL NUMBER 9400/08/01

REF.	DESCRIPCIÓN	DESCRIPTION
CL.154	FILTRO ANTIPARASITARIO	ANTIPARASITIC FILTER
FA1032	BRIDA	CLAMP
K...97	BRIDA NYLON	5X24mm NYLON CLASP
LAV.22	ANILLO ELASTICO	ELASTIC RING
LAV152	INTERRUPTOR GENERAL F-45	F-45 GENERAL SWITCH
LAV265	POMO INTERRUPTOR	SWITCH HANDLE
LAV269	CARCASA PULSADORES	PUSH BUTTON BODYWORK
LAV270	PULSADOR	PUSH BUTTON
LAV272	TAPON	CAP
LAV308	PILOTO	WARNING LAMP
LAV328	PROGRAMADOR FC-53	FC-53 TIMER
LAV335	PROGRAMADOR 120 SEGUNDOS	120 SECONDS TIMER
LAV345	PRESOSTATO	PRESSURE SWITCH
LAV394	TAPA VERDE PILOTO	LAMP GREEN LID
LB.235	CONDENSADOR 6,3 MF	6,3 MF CONDENSER
LCO155	MICROINTERRUPTOR	MICROSWITCH
LCO156	JUNTA PUERTA	DOOR GASKET
LCO157	BOTON CICLO	CICLE BUTTON
LCO158	BOTON DUCHA	SHOWER BUTTON
LCO234	INTERRUPTOR	SWITCH
V..448	TUBO PRESOSTATO-METRO 4X6	4X6 PRE.SWITCH INLET PIPE
V..659	CONDENSADOR 5 MF 220V	220V 5MF CONDENSER
V..931	REGLETA 9 POLOS D.4,5MM	D.4,5mm 9 POLES CONNECT



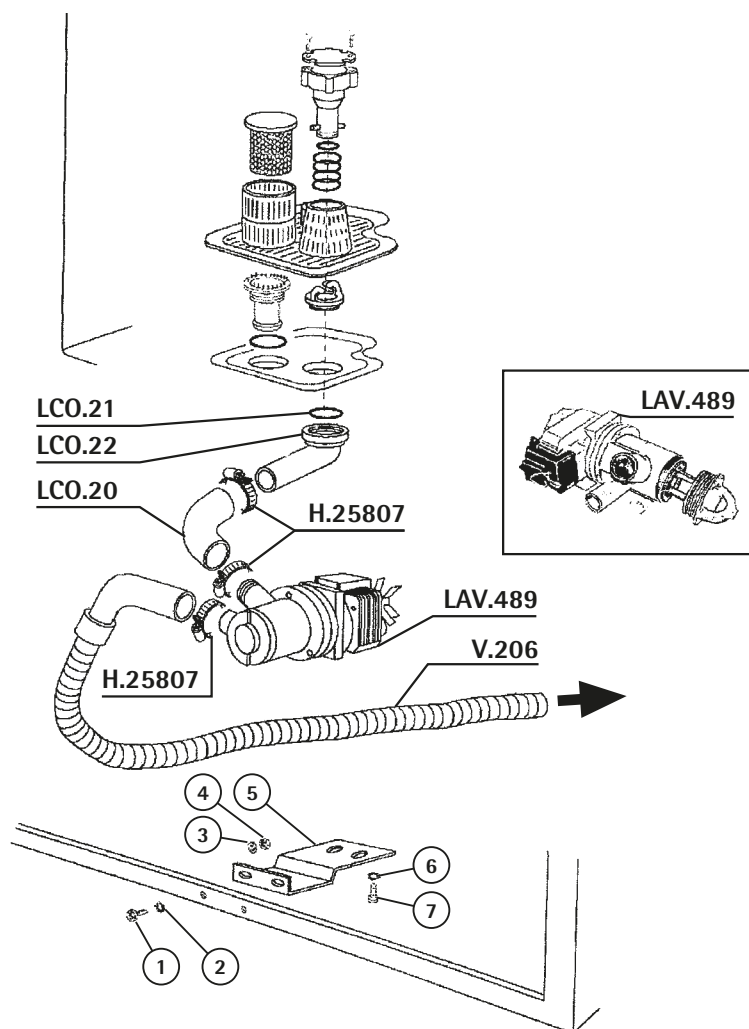
REF.	DESCRIPCIÓN	DESCRIPTION
CL.154	FILTRO ANTIPARASITARIO	ANTIPARASITIC FILTER
FA1031	ABRAZADERA INOX 8-16	8-16 INOX CLAMP
K...97	BRIDA NYLON	5X24mm NYLON CLASP
LAV345	PRESOSTATO	PRESSURE SWITCH
LCO155	MICROINTERRUPTOR	MICROSWITCH
LCO156	JUNTA PUERTA	DOOR GASKET
LCO159	RELE	RELAY
LCO235	FUSIBLE T1A	T1A FUSE
V..448	TUBO PRESOSTATO-METRO 4X6	4X6 PRE.SWITCH INLET PIPE
V..659	CONDENSADOR 5 MF 220V	220V 5MF CONDENSER
V..931	REGLETA 9 POLOS D.4,5MM	D.4,5mm 9 POLES CONNECT





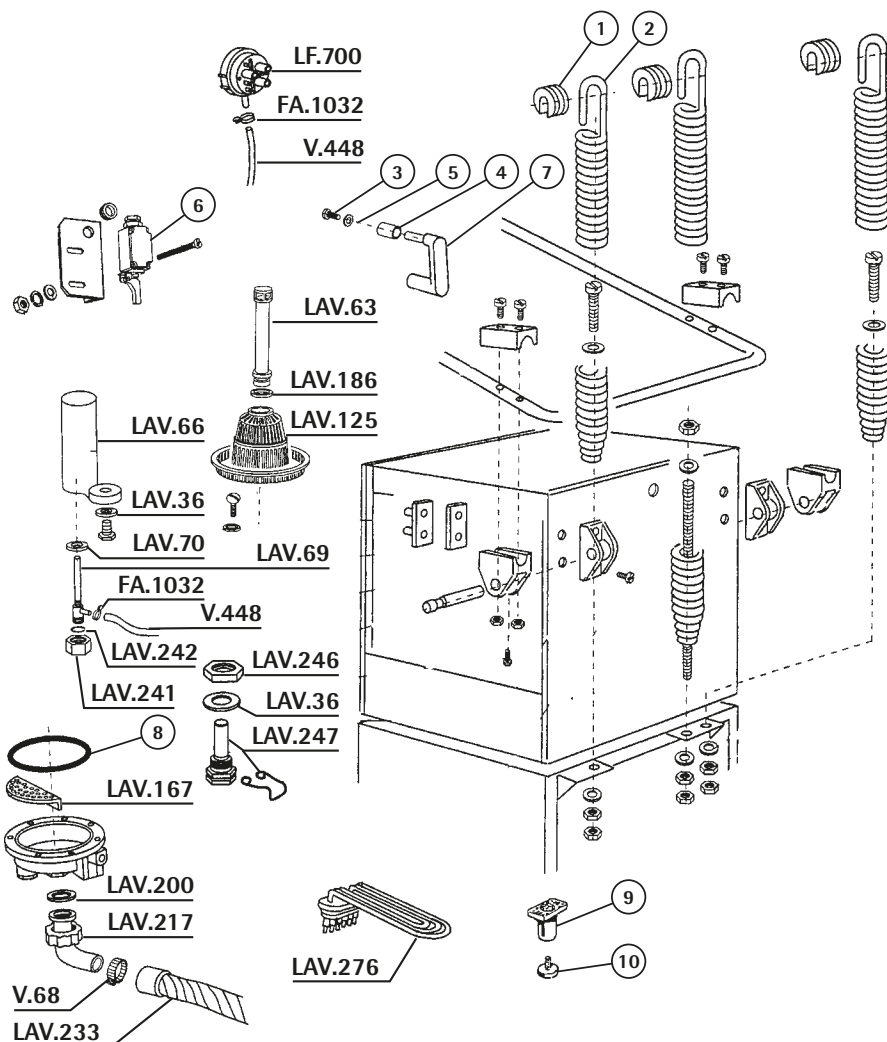
REF.	DESCRIPCIÓN	DESCRIPTION
H25807	ABRAZADERA 25-40	25-40 CLAMP
LAV229	BOMBA ACLARADO F-45 A F80	F-45 TO F80 PUMP
LAV269	CARCASA PULSADORES	PUSH BUTTON BODYWORK
LAV270	PULSADOR	PUSH BUTTON
LAV308	PILOTO	WARNING LAMP
LAV360	PROGRAMADOR 120 SEGUNDOS	120 SECONDS TIMER
LAV394	TAPA VERDE PILOTO	LAMP GREEN LID
LCO.21	JUNTA	GASKET
LCO238	RACOR	FITTING
V..206	TUBO DESAGÜE CON CODO	WITH ELBOW OUTLET PIPE
V..831	TUBO DES.17mm 1.8mt.CODO	17mm 1.8mt ELBOW OUTLET P

Bomba desagüe BHC30E ■ BHC30E Drain pump

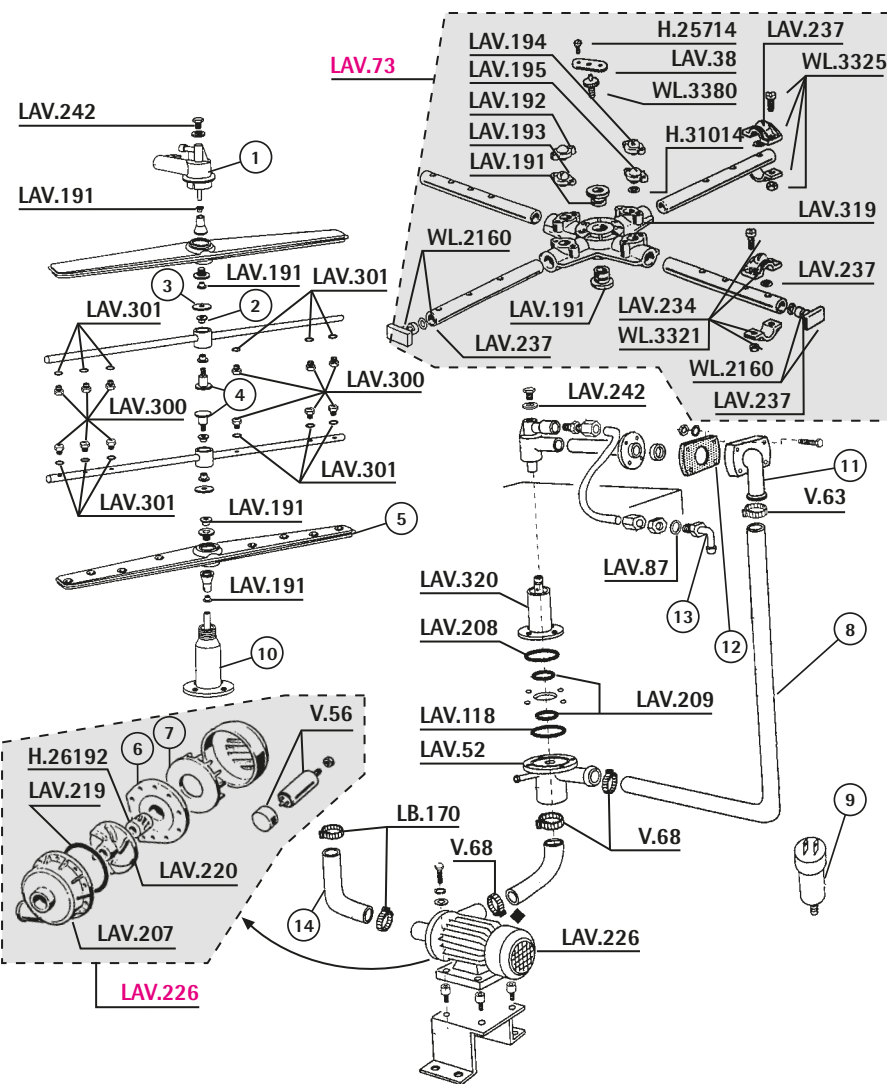


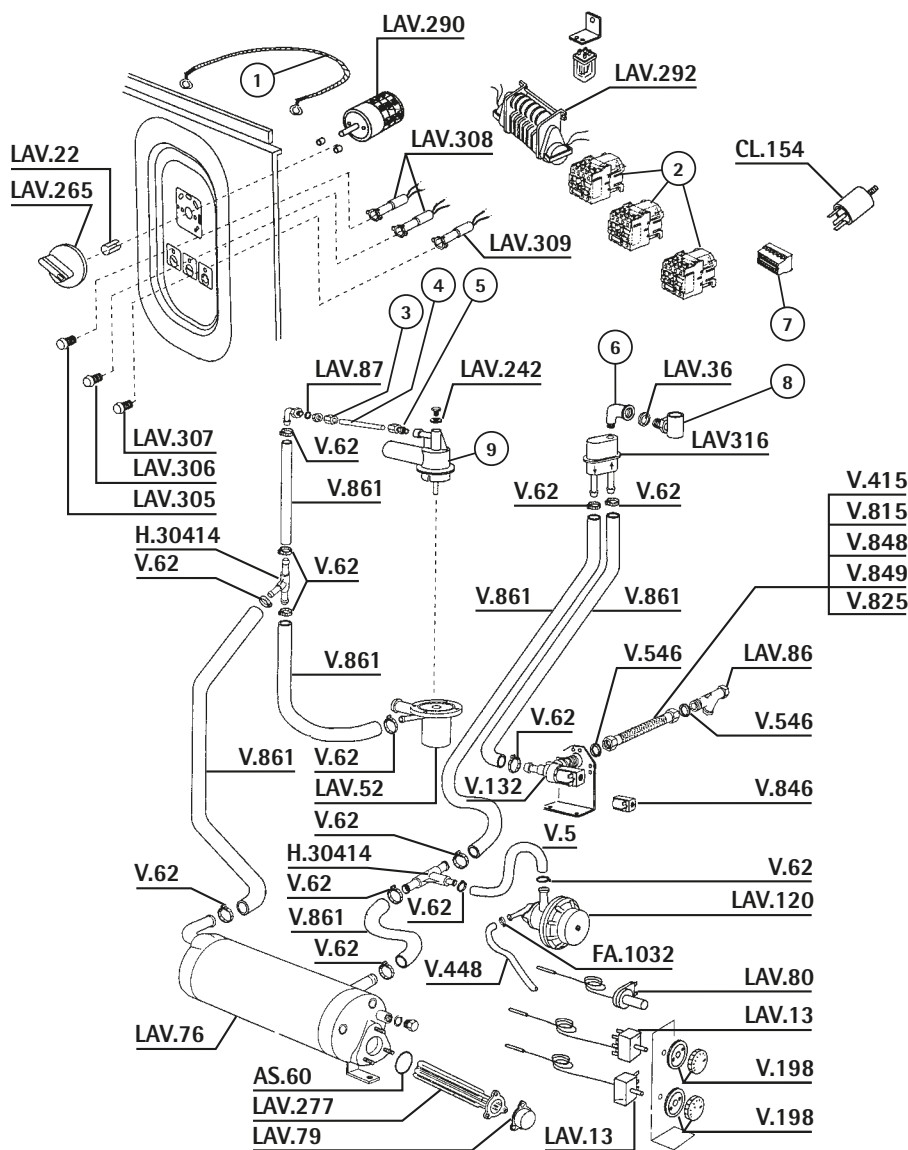
REF.	DESCRIPCIÓN	DESCRIPTION
H25807	ABRAZADERA 25-40	25-40 CLAMP
LAV489	BOMBA DESAGÜE	OUTLET PUMP
LCO.20	CODO	ELBOW
LCO.21	JUNTA	GASKET
LCO.22	RACOR DESAGÜE	DRAIN FITTING
V..206	TUBO DESAGÜE CON CODO	WITH ELBOW OUTLET PIPE

REF.	DESCRIPCIÓN	DESCRIPTION
FA1032	BRIDA	CLASP
LAV.36	JUNTA ALIMENTARIA	ALIMENTARY GASKET
LAV.63	SOBRENIVEL F-80	F-80 OVERFLOW
LAV.66	CAMARA PRESOSTATICA	PRESSURE SWITCH CHAMBER
LAV.69	TUBO CAMARA PRESOSTATICA	PRESURE SWITCH PIPE
LAV.70	JUNTA GOMA	RUBBER GASKET
LAV125	FILTRO CUBA	TANK FILTER
LAV167	FILTRO RESIDUOS	FILTER
LAV186	COLLARIN	GASKET
LAV200	JUNTA ARBOL LAVADO GOMA	WASHING ARM RUBBER GASKET
LAV217	CODO DESAGÜE CAZOLETA	DRAIN ELBOW
LAV233	TUBO DESAGÜE 35X27mm 1.5 MT	35X27mm 1.5MT OUTLET PIPE
LAV241	TUERCA PLASTICO	NUT
LAV242	JUNTA GOMA	RUBBER GASKET
LAV246	TUERCA	NUT
LAV247	ALOJAMIENTO TERMOSTATO	THERMOSTAT LODGING
LAV276	RESISTENCIA CUBA 3000W 230V	3000W 230V TANK RESISTANCE
LF.700	PRESOSOTATO SAL/HOR.80/50	50/80 HORIZ.PRESS SWITCH
V...68	ABRAZADERA 32-50	35-50 CLAMP
V..448	TUBO PRESOSTATO-METRO 4X6	4X6 PRE.SWITCH INLET PIPE



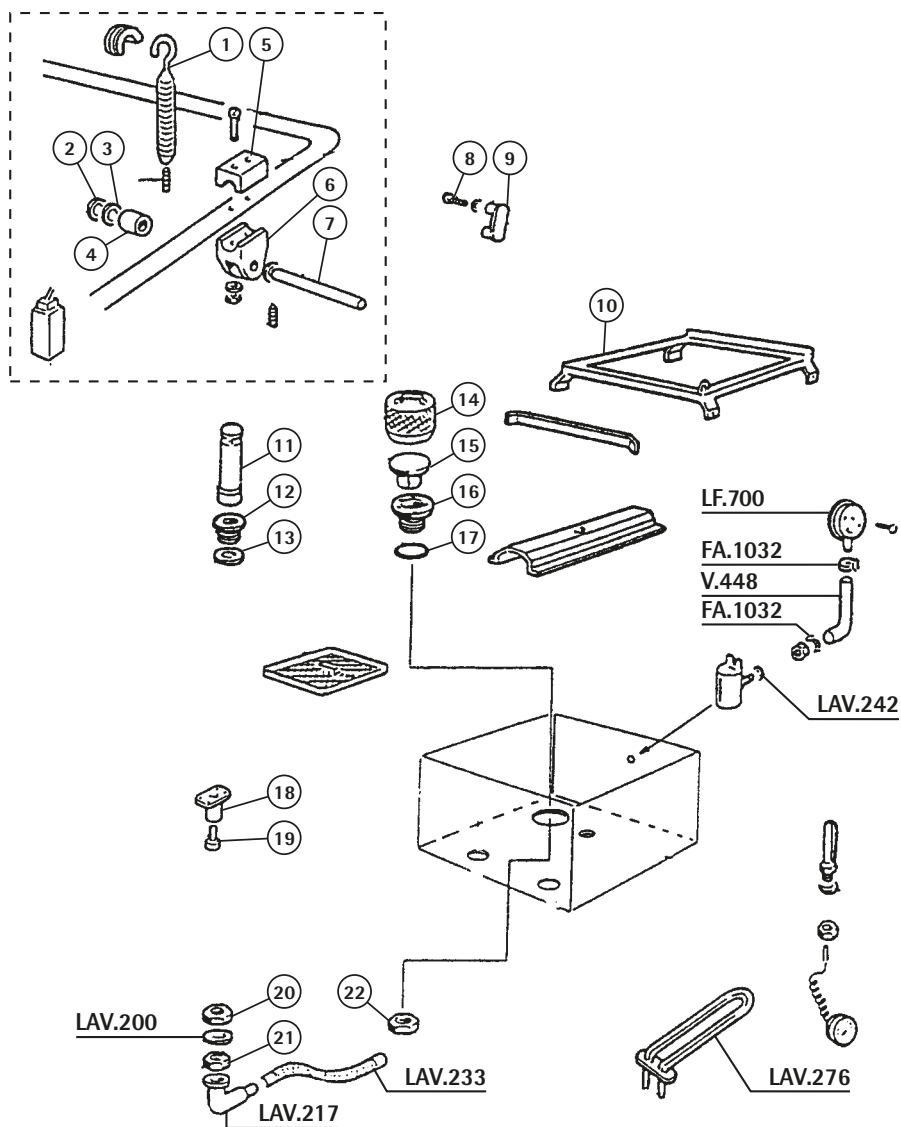
REF.	DESCRIPCIÓN	DESCRIPTION
H25714	TORNILLO INOX	INOX SCREW
H26192	RETEN EJE BOMBA	MECHANICAL SEAL
H31014	TORICA CIERRE	CLOSING RING
LAV.38	PLACA	PLATE
LAV.52	SOPORTE INFERIOR	LOWER SUPPORT
LAV.73	GIRAT ACLAR.F45/55/65/80	F-45/55/65/80 GIRATORY
LAV.87	JUNTA GOMA	RUBBER GASKET
LAV118	TORICA GOMA	RING
LAV191	GUIA CRUZ LAVADO	WASHING CROSS GUIDE
LAV192	RACOR LAVADO CIEGO	BLIND WASHING FITTING
LAV193	RACOR ACLARADO	RINSE FITTING
LAV194	RACOR LAVADO	WASHING FITTING
LAV195	RACOR ACLARADO CIEGO	BLIND CLEAR FITTING
LAV207	TAPA BOMBA F-80	F80 MOTOR LID
LAV208	TORICA SOPORTE GIRATORIO	SUPPORT RING
LAV209	TORICA SOPORTE GIRATORIO	SUPPORT RING
LAV219	JUNTA TAPA MOTOR GOMA	MOTOR LID RUBBER GASKET
LAV220	TURBINA MOTOR F-80	F-80 MOTOR TURBINE
LAV226	MOTOR 1 Hp F-80/C-75/C-85	1 HP F-80/C-75/C-85 MOTOR
LAV234	SALIDAS LAVADO IZQUIERDA	LEFT WASHING TIP
LAV237	TORICA GOMA	RING
LAV242	JUNTA GOMA	RUBBER GASKET
LAV300	ROCIADOR ACLARADO	RINSE SPRAY
LAV301	TORICA ROCIADOR	SPRAY RING
LAV319	CRUZ DISTRIBUIDOR C-75	C-75 UPPER SUPPORT
LAV320	SOPORTE SUPERIOR C-75/85	C-75/85 UPPER SUPPORT
LB.170	ABRAZADERA 40-60	40-60 CLAMP
V...56	CONDENSADOR 12,5 MF 220V	12,5MF 220V CONDENSER
V...63	ABRAZADERA 20-32	20-35 CLAMP
V...68	ABRAZADERA 32-50	35-50 CLAMP
WL2160	TAPON GOMA	RUBBER CAP
WL3321	SALIDAS LAVADO DERECHA	RIGHT WASHING TIP
WL3325	SALIDAS ACLARADO SUP.	UPPER CLEAT TIP
WL3380	TAPON CON PUNTA	CAP





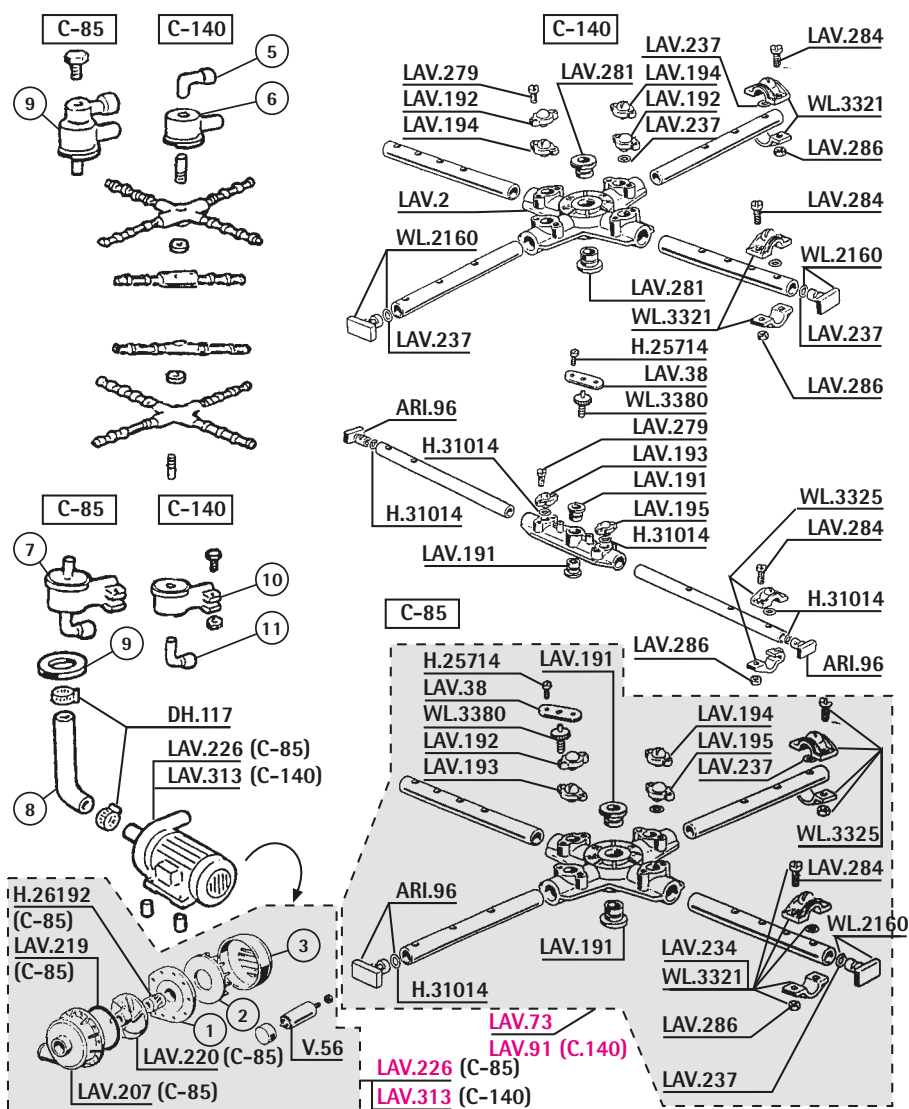
REF.	DESCRIPCIÓN	DESCRIPTION
AS..60	TORICA GOMA EPDM	RUBBER RING
CL.154	FILTRO ANTIPARASITARIO	ANTIPARASITIC FILTER
FA1032	BRIDA	CLASP
H30414	RACOR EMPALME	UNION FITTING
LAV.13	TERMOSTATO CALDERIN 90°	90° BOILER THERMOSTAT
LAV.22	ANILLO ELASTICO	ELASTIC RING
LAV.36	JUNTA ALIMENTARIA	ALIMENTARY GASKET
LAV.52	SOPORTE INFERIOR	LOWER SUPPORT
LAV.76	CALDERIN F-45 A F-80	F-45 TO F-80 BOILER
LAV.79	TAPA RESISTENCIA	RESISTANCE LID
LAV.80	TERMOSTATO SEGURIDAD 110°	110° SAFETY THERMOSTAT
LAV.86	FILTRO ENTRADA AGUA	INLET FILTER
LAV.87	JUNTA GOMA	RUBBER GASKET
LAV120	DOSIFICADOR ABRILLANTADOR	RINSE AID DOSIMETER
LAV242	JUNTA GOMA	RUBBER GASKET
LAV265	POMO INTERRUPTOR	SWITCH HANDLE
LAV277	RESISTENCIA C75/C85/C140	RESISTANCE C75/C85/C140
LAV290	INTERRUPTOR GENERAL	GENERAL SWITCH
LAV292	PROGRAMADOR C85/C75	C85/C75 TIMER
LAV305	PLASTICO PILOTO	WARNING LAMP PLASTIC
LAV306	PLASTICO PILOTO	WARNING LAMP PLASTIC
LAV307	PLASTICO PILOTO	WARNING LAMP PLASTIC
LAV308	PILOTO	WARNING LAMP
LAV309	PILOTO	WARNING LAMP
LAV316	RACOR 3 VIAS	3 WAYS FITTING
V...5	TUBO GOMA 10X16 20 ATM	20ATM 10X17 RUBBER PIPE
V...62	ABRAZADERA 12-20	12-20 CLAMP
V.132	ELECTROVAL.1 VIA LAV.220V	WASH 1 WAY 220V SOLENOID
V.198	MANDO TERMOSTATO 90°	90° THERMOSTAT HANDLE
V.415	TOMA LAVADORA 1.5M	QUALITY 1.5M.INLET W.FLEX
V.448	TUBO PRESOSTATO-METRO 4X6	4X6 PRE.SWITCH INLET PIPE
V.546	JUNTA GOMA 3/4	WATER INLET RUBBER GASKET
V.815	TOMA LAVADORA 2 METROS	2 MT.INLET WATER FLEXIBLE
V.825	TOMA LAVADORA 1.5 "ECO"	"ECO"1.5M INLET WA.FLEXIB
V.846	BOBINA ELECTROV.220/240V	220/240V SOLENOID COIL
V.848	TOMA LAVADORA 1.5M INOX	INOX 1.5M INLET WATER FL.
V.849	TOMA LAV.INOX 2MT.3/4X3/4	INOX 2MT.INLET WATER FLE.
V.861	TUBO GOMA 12X22mm 20ATM	20ATM 12X22mm RUBBER PIPE

Carrocería / Cuba C-85 / C-140 ■ C-85 / C-140 Tank / Bodywork

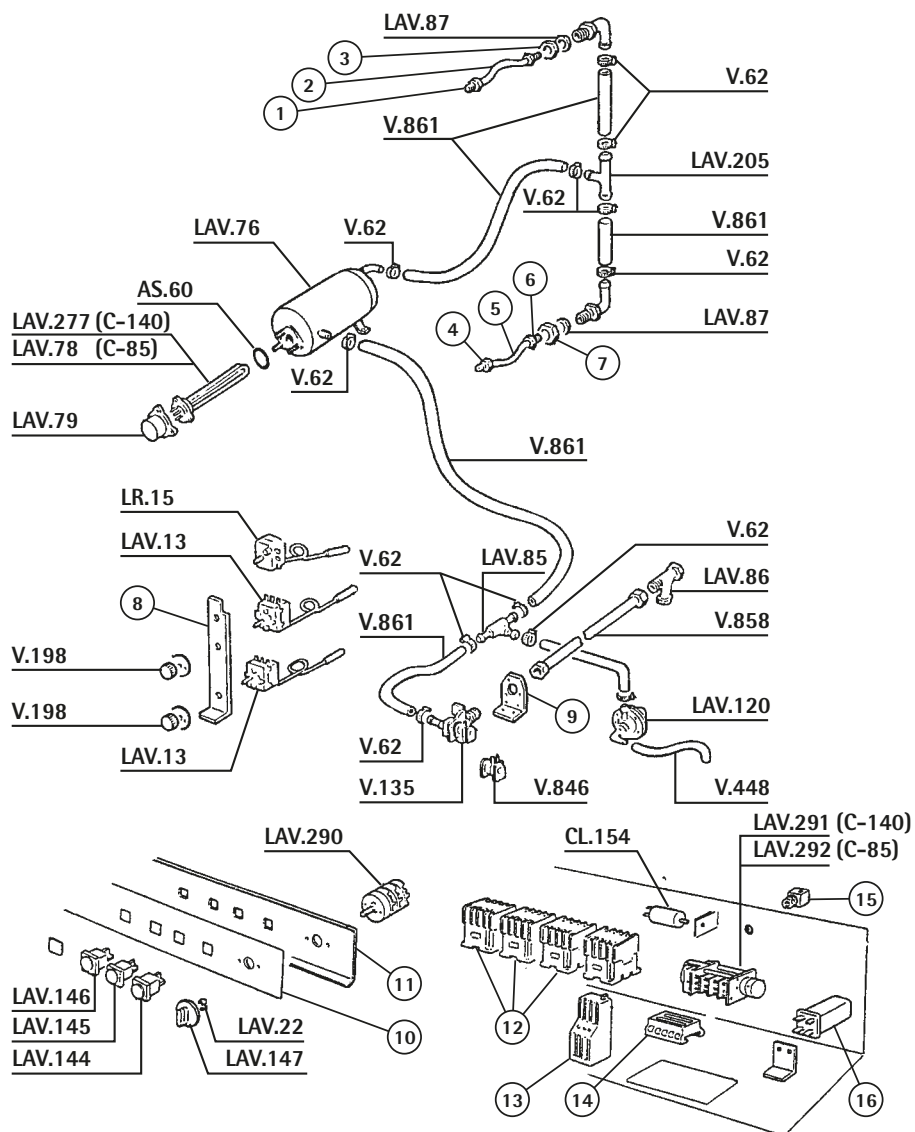


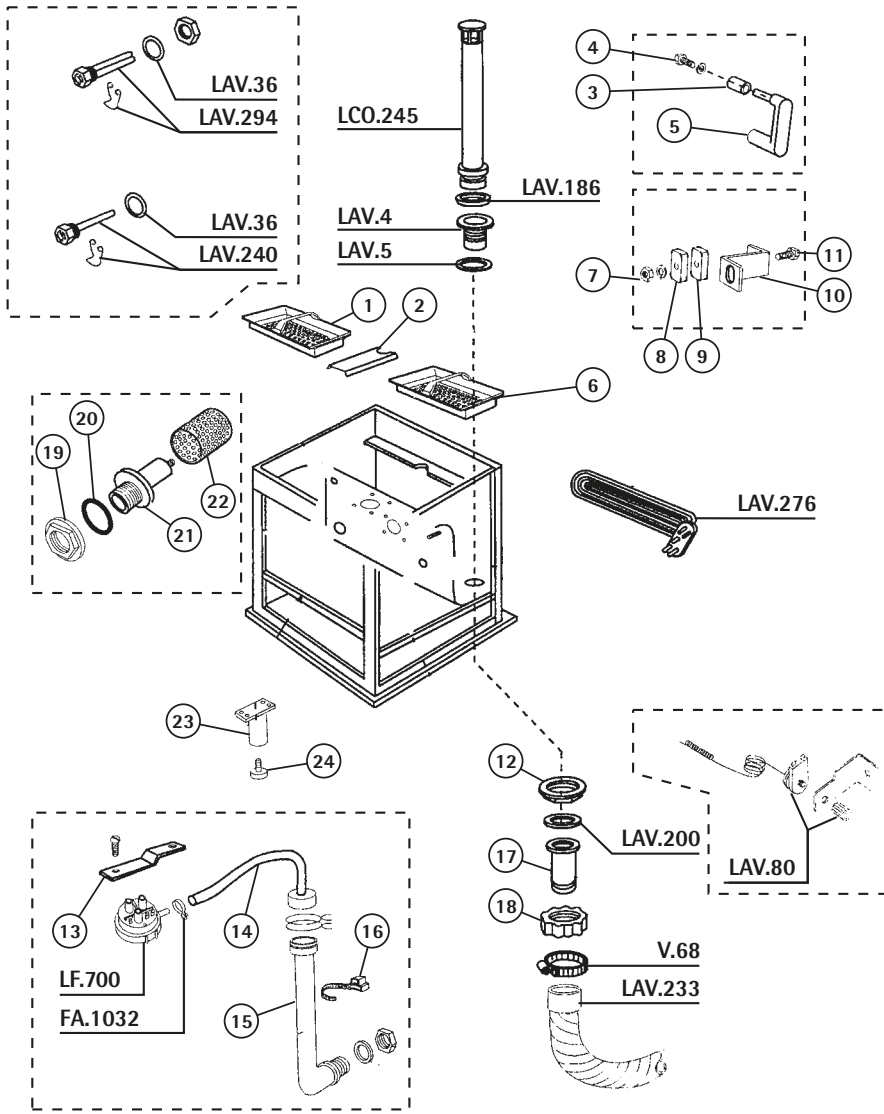
REF.	DESCRIPCIÓN	DESCRIPTION
FA1032	BRIDA	CLASP
LAV200	JUNTA ARBOL LAVADO GOMA	WASHING ARM RUBBER GASKET
LAV217	CODO DESAGÜE CAZOleta	DRAIN ELBOW
LAV233	TUBO DESAGÜE 35X27mm 1.5 MT	35X27mm 1.5MT OUTLET PIPE
LAV242	JUNTA GOMA	RUBBER GASKET
LAV276	RESISTENCIA CUBA 3000W 230V	3000W 230V TANK RESISTANCE
LF.700	PRESOSOTATO SAL/HOR.80/50	50/80 HORIZ.PRESS SWITCH
V..448	TUBO PRESOSTATO-METRO 4X6	4X6 PRE.SWITCH INLET PIPE

REF.	DESCRIPCIÓN	DESCRIPTION
ARI.96	TAPON GIRATORIO ACLARADO	CLEAR REVOLVING ARM CAP
DH.117	ABRAZADERA 46-70	46-70 CLAMP
H25714	TORNILLO INOX	INOX SCREW
H26192	RETEN EJE BOMBA	MECHANICAL SEAL
H31014	TORICA CIERRE	CLOSING RING
LAV.2	CRUZ LAVADO C-140	C-140 WASHING CROSSHEAD
LAV.38	PLACA	PLATE
LAV.73	GIRAT ACLAR.F45/55/65/80	F-45/55/65/80 GIRATORY
LAV.91	GIRATORIO LAVADO C-140/LC380	C-140/LC380 WASH ARM
LAV.191	GUIA CRUZ LAVADO	WASHING CROSS GUIDE
LAV.192	RACOR LAVADO CIEGO	BLIND WASHING FITTING
LAV.193	RACOR ACLARADO	RINSE FITTING
LAV.194	RACOR LAVADO	WASHING FITTING
LAV.195	RACOR ACLARADO CIEGO	BLIND CLEAR FITTING
LAV.207	TAPA BOMBA F-80	F80 MOTOR LID
LAV.219	JUNTA TAPA MOTOR GOMA	MOTOR LID RUBBER GASKET
LAV.220	TURBINA MOTOR F-80	F-80 MOTOR TURBINE
LAV.226	MOTOR 1 Hp F-80/C-75/C-85	1 HP F-80/C-75/C-85 MOTOR
LAV.234	SALIDAS LAVADO IZQUIERDA	LEFT WASHING TIP
LAV.237	TORICA GOMA	RING
LAV.279	TORNILLO INOX	INOX SCREW
LAV.281	CASQUILLO CENTRAL	CENTRAL CAP
LAV.284	TORNILLO INOX	INOX SCREW
LAV.286	TUERCA INOX	NUT
LAV.313	MOTOR C140 220/380V	220/380V C140 MOTOR
V...56	CONDENSADOR 12,5 MF 220V	12,5MF 220V CONDENSER
WL2160	TAPON GOMA	RUBBER CAP
WL3321	SALIDAS LAVADO DERECHA	RIGHT WASHING TIP
WL3325	SALIDAS ACLARADO SUP.	UPPER CLEAT TIP
WL3380	TAPON CON PUNTA	CAP



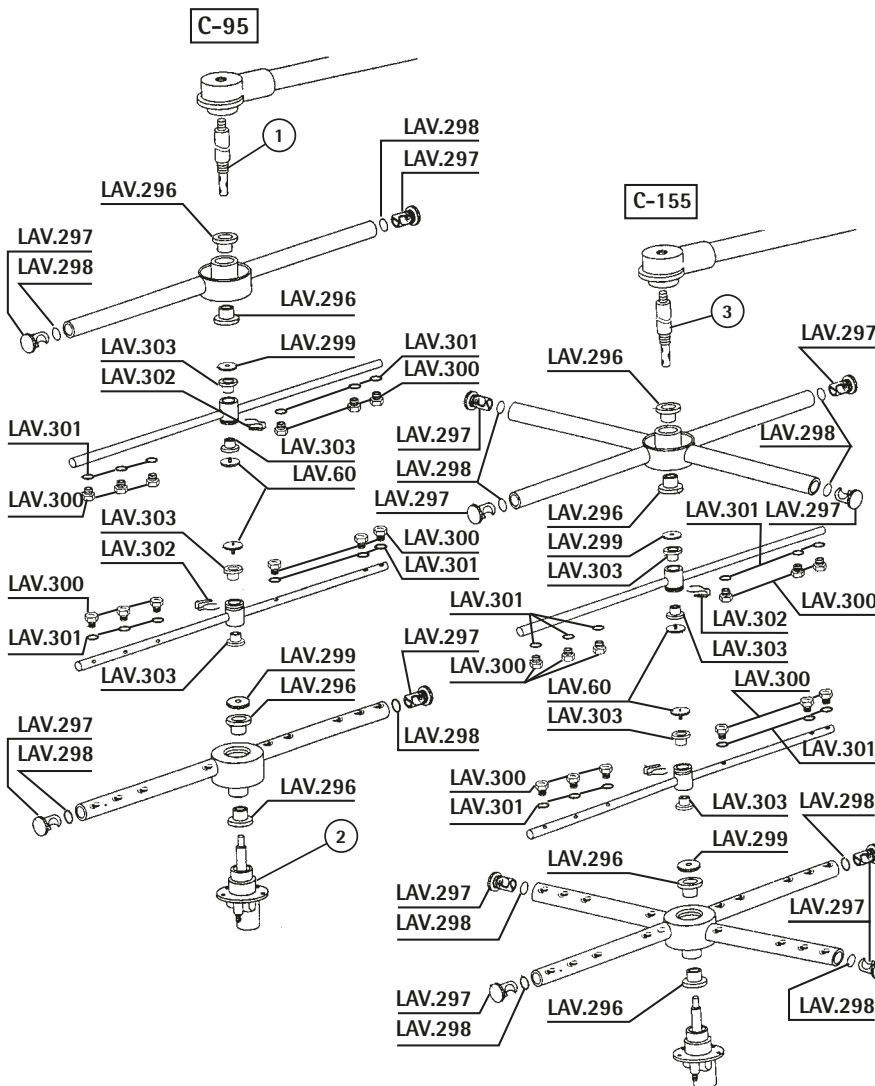
REF.	DESCRIPCIÓN	DESCRIPTION
AS..60	TORICA GOMA EPDM	RUBBER RING
CL.154	FILTRO ANTIPARASITARIO	ANTIPARASITIC FILTER
LAV.13	TERMOSTATO CALDERIN 90°	90° BOILER THERMOSTAT
LAV.22	ANILLO ELASTICO	ELASTIC RING
LAV.76	CALDERIN F-45 A F-80	F-45 TO F-80 BOILER
LAV.78	RESIST.CALDERIN 4200 W 230V	4200W 230V BOILER RESISTANCE
LAV.79	TAPA RESISTENCIA	RESISTANCE LID
LAV.85	T DE CONEXION	CONNECTION T
LAV.86	FILTRO ENTRADA AGUA	INLET FILTER
LAV.87	JUNTA GOMA	RUBBER GASKET
LAV.120	DOSIFICADOR ABRILLANTADOR	RINSE AID DOSIMETER
LAV.144	PILOTO MARCHA	WARNING LAMP
LAV.145	PILOTO AMBAR	RED WARNING LAMP
LAV.146	PILOTO ENCENDIDO	WARNING LAMP
LAV.147	MANDO INTERRUPTOR	SWITCH HANDLE
LAV.205	RACOR CONEXION ACLARADO	RINSE CONNECTION FITTING
LAV.277	RESISTENCIA C75/C85/C140	RESISTANCE C75/C85/C140
LAV.290	INTERRUPTOR GENERAL	GENERAL SWITCH
LAV.291	PROGRAMADOR C140/C155	C140/C155 TIMER
LAV.292	PROGRAMADOR C85/C75	C85/C75 TIMER
LR..15	TERMOSTATO CUBA 90°	90° TANK THERMOSTAT
V..62	ABRAZADERA 12-20	12-20 CLAMP
V..135	ELECTR.1 VIA SAL.VERTICAL	VERTICAL EXIT 1 WAY SOLEN
V..198	MANDO TERMOSTATO 90°	90° THERMOSTAT HANDLE
V..448	TUBO PRESOSTATO-METRO 4X6	4X6 PRE.SWITCH INLET PIPE
V..846	BOBINA ELECTROV.220/240V	220/240V SOLENOID COIL
V..858	TOMA LAVADORA 1.5MT.RECTA	STRAIGHT 1.5MT.INLET PIPE
V..861	TUBO GOMA 12X22mm 20ATM	20ATM 12X22mm RUBBER PIPE





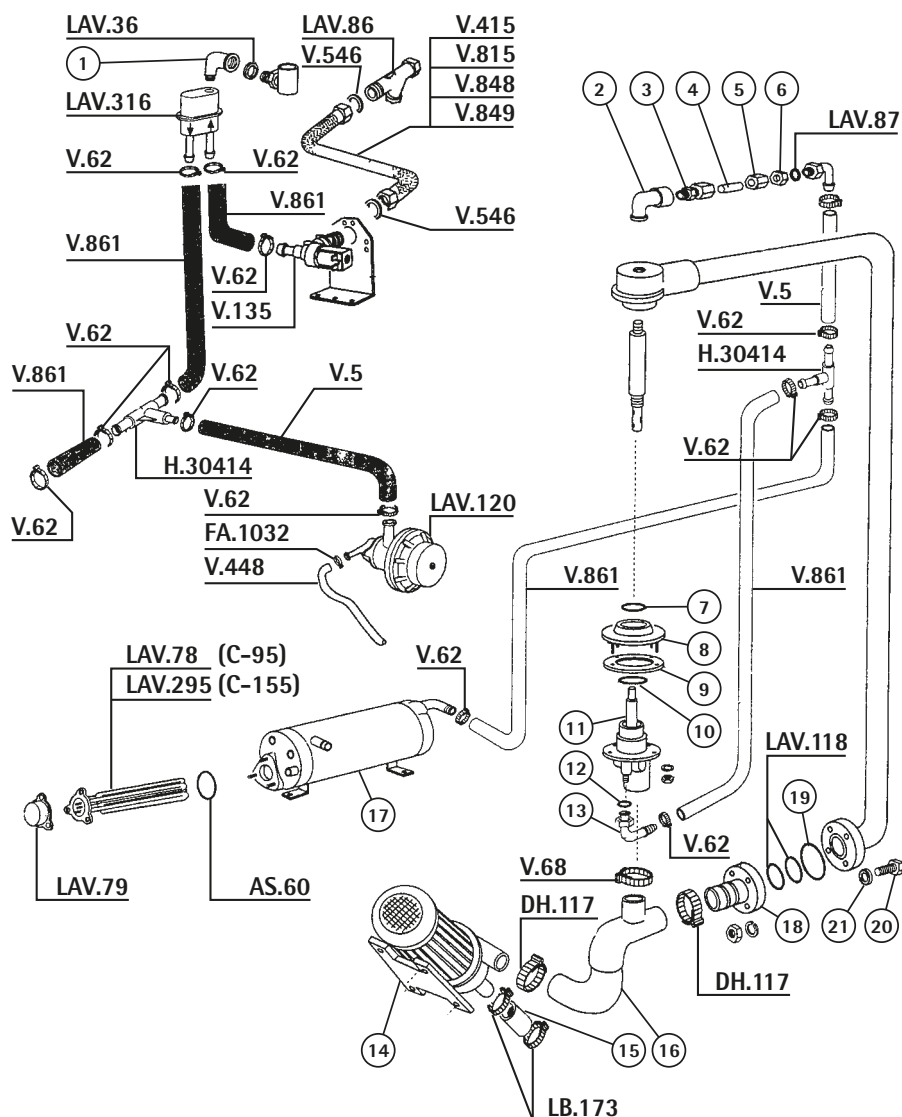
REF.	DESCRIPCIÓN	DESCRIPTION
FA1032	BRIDA	CLASP
LAV.4	RACOR DESAGÜE LC-380	LC-380 MODERN DRAIN
LAV.5	JUNTA GOMA	RUBBER GASKET
LAV.36	JUNTA ALIMENTARIA	ALIMENTARY GASKET
LAV.80	TERMOSTATO SEGURIDAD 110°	110° SAFETY THERMOSTAT
LAV186	COLLARIN	GASKET
LAV200	JUNTA ARBOL LAVADO GOMA	WASHING ARM RUBBER GASKET
LAV233	TUBO DESAGÜE 35X27mm 1.5 MT	35X27mm 1.5MT OUTLET PIPE
LAV240	ESPADIN	PIPE
LAV276	RESISTENCIA CUBA 3000W 230V	3000W 230V TANK RESISTANCE
LAV294	ESPADIN	PIPE
LCO245	REBOSADERO C155 - C95	C155 - C95 OVERFLOW
LF.700	PRESOSOTATO SAL/HOR.80/50	50/80 HORIZ.PRESS SWITCH
V..68	ABRAZADERA 32-50	35-50 CLAMP

Lavado / Aclarado C-95 / C-155 ■ C-95 / C-155 Rinse / Wash

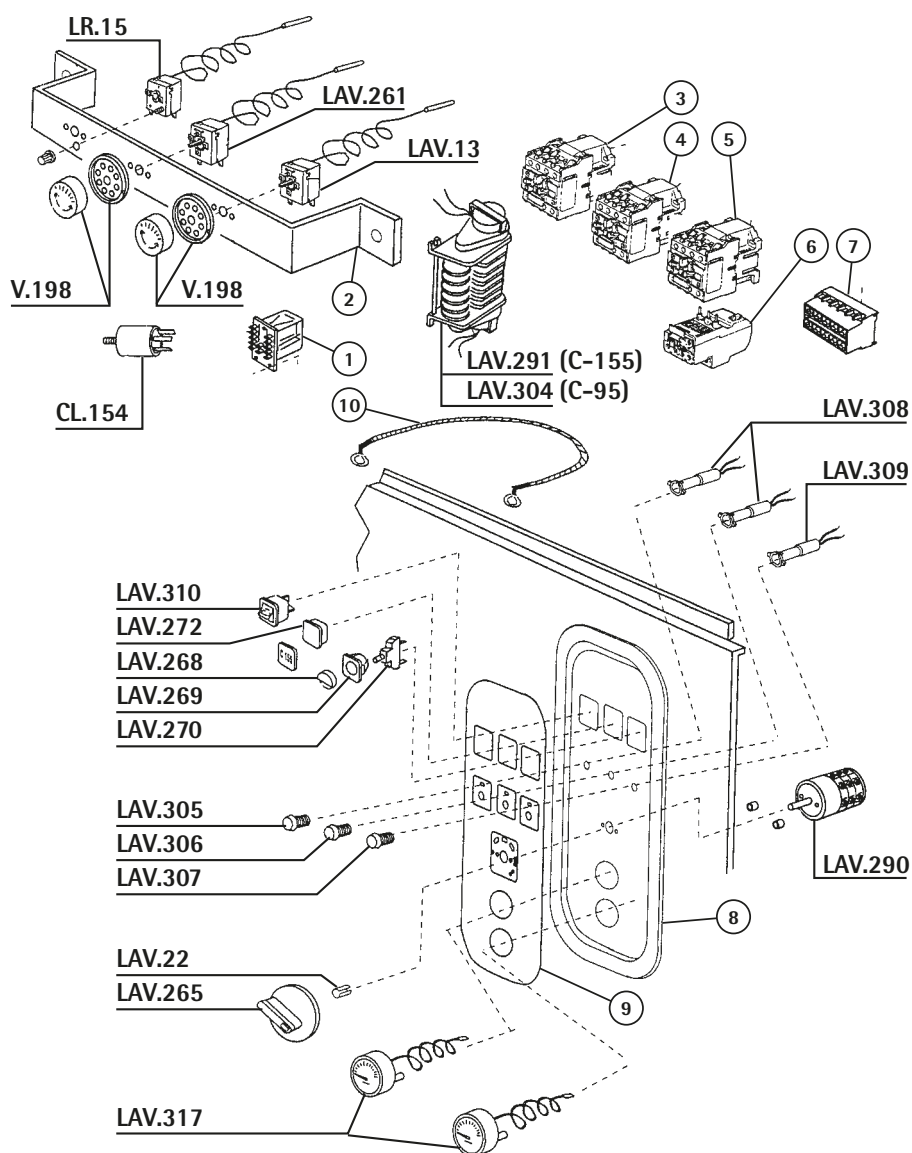


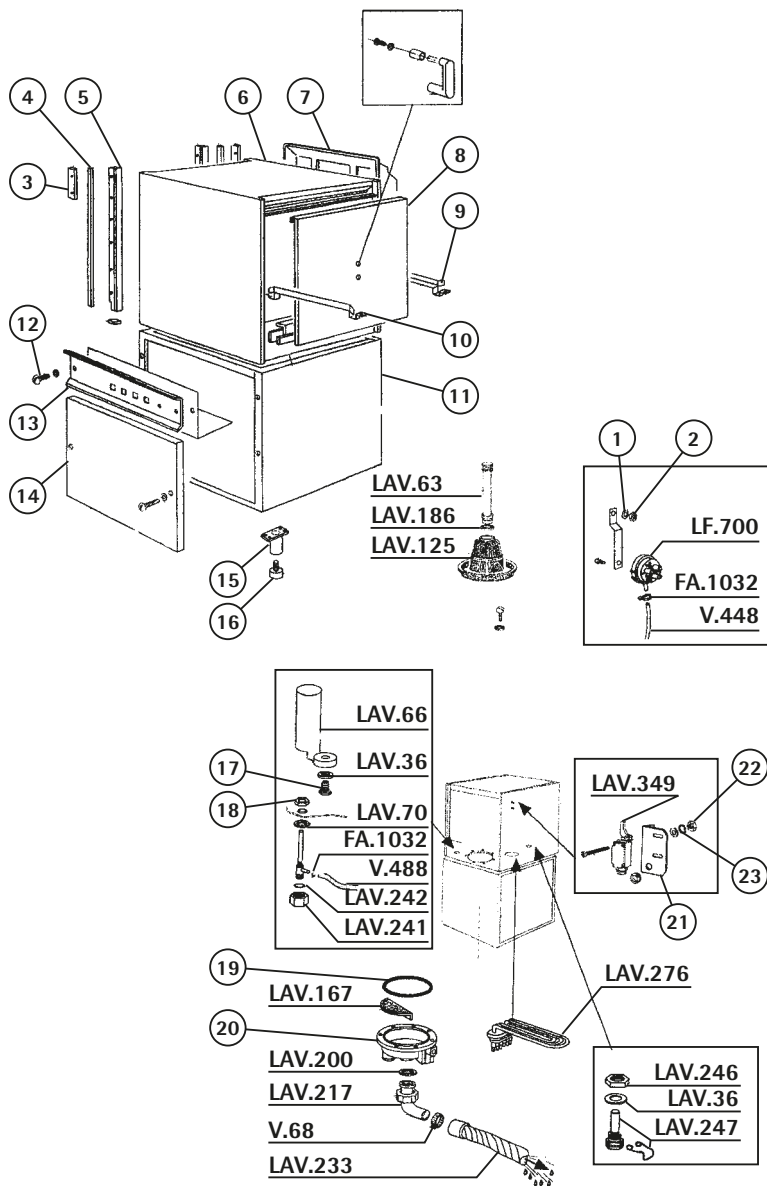
REF.	DESCRIPCIÓN	DESCRIPTION
LAV.60	TORNILLO FIJAR GIRATORIO	SCREW
LAV296	CASQUILLO	CAP
LAV297	TAPON ASTA	ARM CAP
LAV298	TORICA TAPON	CAP RING
LAV299	TUERCA INOX	INOX NUT
LAV300	ROCIADOR ACLARADO	RINSE SPRAY
LAV301	TORICA ROCIADOR	SPRAY RING
LAV302	GRAPA	STAPLE
LAV303	CASQUILLO	CAP

REF.	DESCRIPCIÓN	DESCRIPTION
AS..60	TORICA GOMA EPDM	RUBBER RING
DH.117	ABRAZADERA 46-70	46-70 CLAMP
FA1032	ABRAZADERA	CLAMP
H30414	RACOR EMPALME	UNION FITTING
LAV.36	JUNTA ALIMENTARIA	ALIMENTARY GASKET
LAV.78	RESIST.CALDERIN 4200 W 230V	4200W 230V BOILER RESISTANCE
LAV.79	TAPA RESISTENCIA	RESISTANCE LID
LAV.86	FILTRO ENTRADA AGUA	INLET FILTER
LAV.87	JUNTA GOMA	RUBBER GASKET
LAV118	TORICA GOMA	RING
LAV120	DOSIFICADOR ABRILLANTADOR	RINSE AID DOSIMETER
LAV295	RESISTENCIA C155 9000W	9000W C155 RESISTANCE
LAV316	RACOR 3 VIAS	3 WAYS FITTING
LB.173	ABRAZADERA 60-80	60-80 CLAMP
V....5	TUBO GOMA 10X16mm 20ATM	20ATM 10X16 RUBBER PIPE
V...62	ABRAZADERA 12-20	12-20 CLAMP
V...68	ABRAZADERA 32-50	35-50 CLAMP
V..135	ELECTR.1 VIA SAL.VERTICAL	VERTICAL EXIT 1 WAY SOLEN
V..415	TOMA LAVADORA 1,5M	QUALITY 1.5M.INLET W.FLEX
V..448	TUBO PRESOSTATO-METRO 4X6	4X6 PRE.SWITCH INLET PIPE
V..546	JUNTA GOMA 3/4	WATER INLET RUBBER GASKET
V..815	TOMA LAVADORA 2 METROS	2 MT.INLET WATER FLEXIBLE
V..848	TOMA LAVADORA 1.5M INOX	INOX 1.5M INLET WATER FL.
V..849	TOMA LAV.INOX 2MT.3/4X3/4	INOX 2MT.INLET WATER FLE.
V..861	TUBO GOMA 12X22mm 20ATM	20ATM 12X22mm RUBBER PIPE



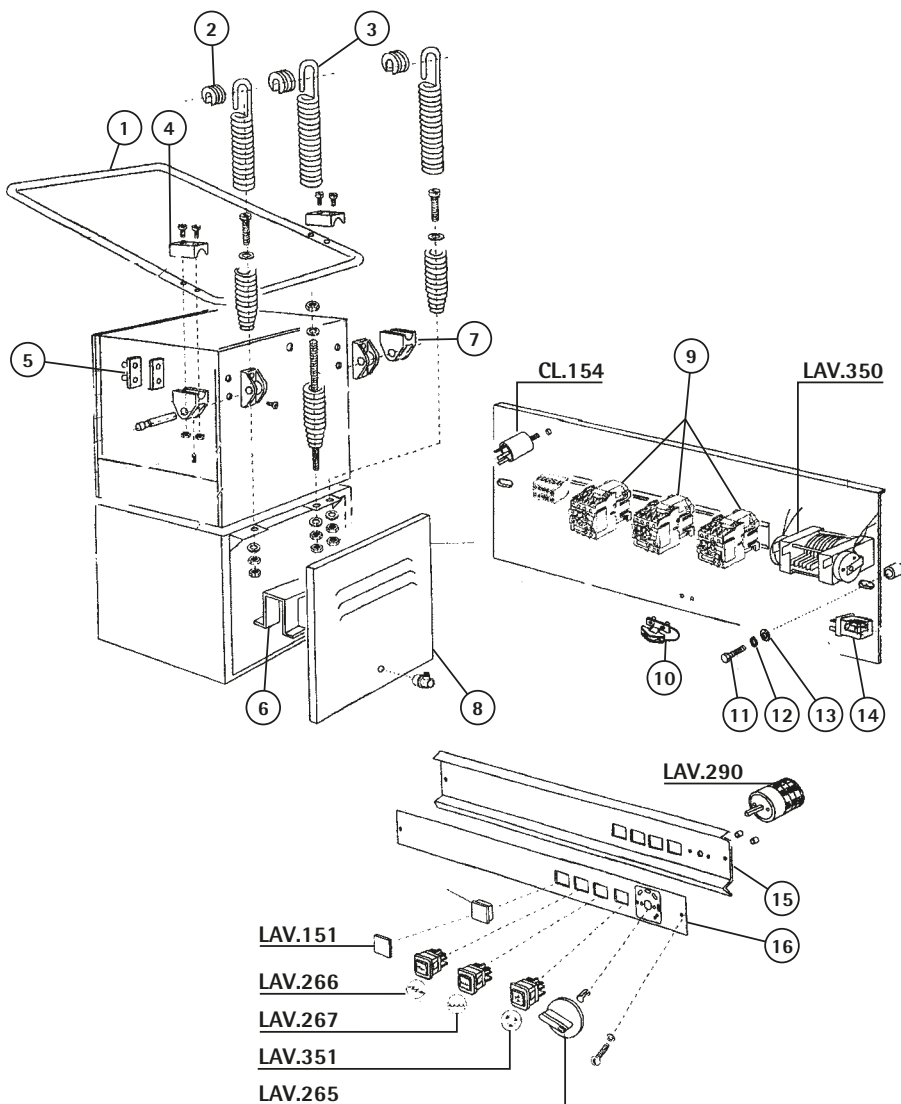
REF.	DESCRIPCIÓN	DESCRIPTION
CL.154	FILTRO ANTIPARASITARIO	ANTIPARASITIC FILTER
LAV.13	TERMOSTATO CALDERIN 90°	90° BOILER THERMOSTAT
LAV.22	ANILLO ELASTICO	ELASTIC RING
LAV261	TERMOSTATO CALDERIN	BOILER THERMOSTAT
LAV265	POMO INTERRUPTOR	SWITCH HANDLE
LAV268	BOTON	BUTTON
LAV269	CARCASA PULSADORES	PUSH BUTTON BODYWORK
LAV270	PULSADOR	PUSH BUTTON
LAV272	TAPON	CAP
LAV290	INTERRUPTOR GENERAL	GENERAL SWITCH
LAV291	PROGRAMADOR C140/C155	C140/C155 TIMER
LAV304	PROGRAMADOR C95	C95 TIMER
LAV305	PLASTICO PILOTO	WARNING LAMP PLASTIC
LAV306	PLASTICO PILOTO	WARNING LAMP PLASTIC
LAV307	PLASTICO PILOTO	WARNING LAMP PLASTIC
LAV308	PILOTO	WARNING LAMP
LAV309	PILOTO	WARNING LAMP
LAV310	INTERRUPTOR CICLO	SWITCH
LAV317	TERMOMETRO	THERMOMETER
LR..15	TERMOSTATO CUBA 90°	90° vTANK THERMOSTAT
V..198	MANDO TERMOSTATO 90°	90° THERMOSTAT HANDLE





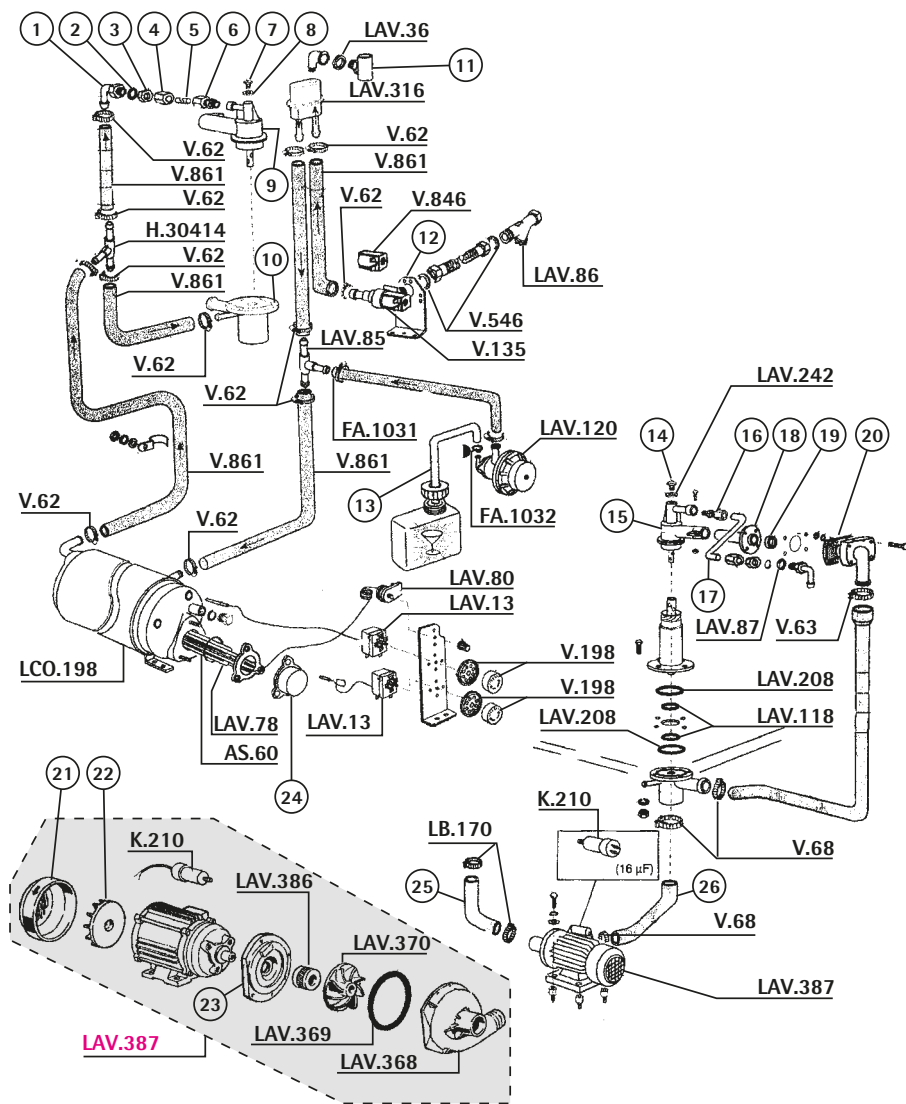
REF.	DESCRIPCIÓN	DESCRIPTION
FA1032	BRIDA	CLASP
LAV.36	JUNTA ALIMENTARIA	ALIMENTARY GASKET
LAV.63	SOBRENIVEL F-80	F-80 OVERFLOW
LAV.66	CAMARA PRESOSTATICA	PRESSURE SWITCH CHAMBER
LAV.70	JUNTA GOMA	RUBBER GASKET
LAV.125	FILTRO CUBA	TANK FILTER
LAV.167	FILTRO RESIDUOS	FILTER
LAV.186	COLLARIN	GASKET
LAV.200	JUNTA ARBOL LAVADO GOMA	WASHING ARM RUBBER GASKET
LAV.217	CODO DESAGÜE CAZOLETA	DRAIN ELBOW
LAV.233	TUBO DESAGÜE 35X27mm 1.5 MT	35X27mm 1.5MT OUTLET PIPE
LAV.241	TUERCA PLASTICO	NUT
LAV.242	JUNTA GOMA	RUBBER GASKET
LAV.246	TUERCA	NUT
LAV.247	ALOJAMIENTO TERMOSTATO	THERMOSTAT LODGING
LAV.276	RESISTENCIA CUBA 3000W 230V	3000W 230V TANK RESISTANCE
LAV.349	MICRO	MICRO
LF.700	PRESOSOTATO SAL/HOR.80/50	50/80 HORIZ.PRESS SWITCH
V...68	ABRAZADERA 32-50	35-50 CLAMP
V.448	TUBO PRESOSTATO-METRO 4X6	4X6 PRE.SWITCH INLET PIPE

Mandos LP-360 ■ LP-360 Handles

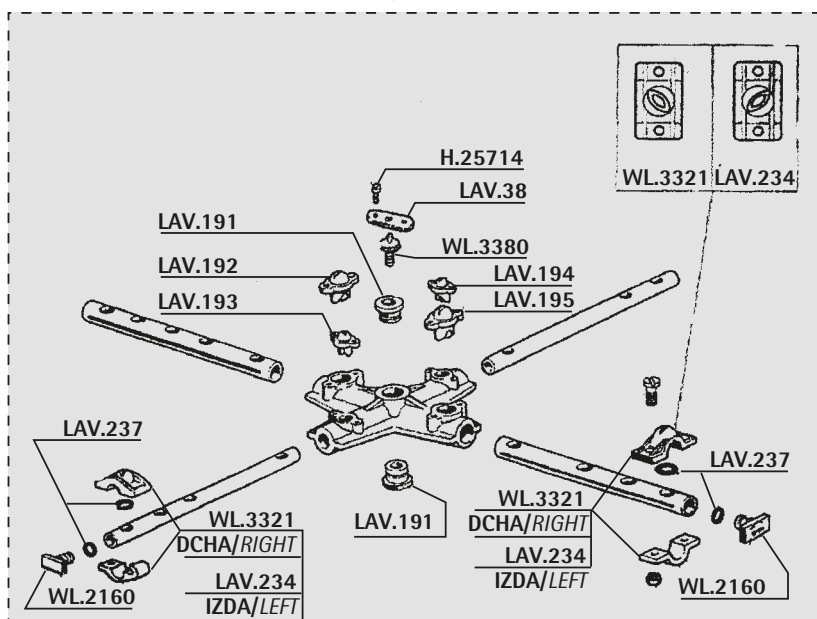
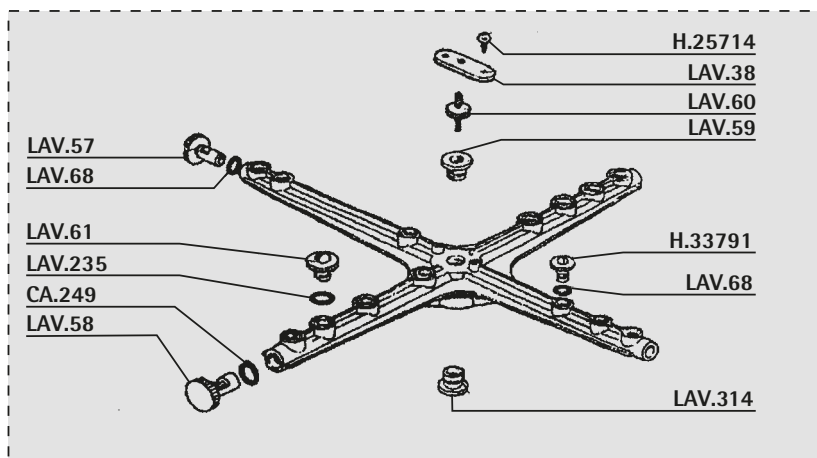


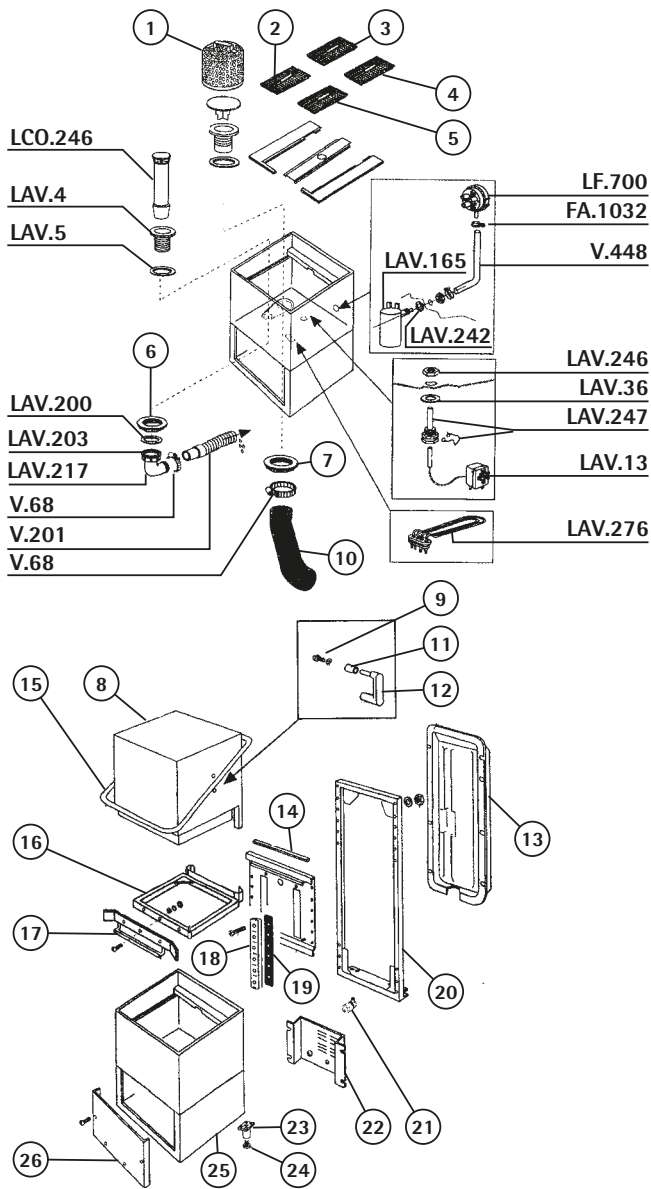
REF.	DESCRIPCIÓN	DESCRIPTION
CL.154	FILTRO ANTIPARASITARIO	ANTIPARASITIC FILTER
LAV.151	TAPON CIEGO PANEL MANDOS	BLIND CAP
LAV.265	POMO INTERRUPTOR	SWITCH HANDLE
LAV.266	PILOTO VERDE	GREEN LAMP
LAV.267	PILOTO VERDE	GREEN WARNING LAMP
LAV.290	INTERRUPTOR GENERAL	GENERAL SWITCH
LAV.350	PROGRAMADOR 6 MICROS	TIMER
LAV.351	PILOTO	PILOT

REF.	DESCRIPCIÓN	DESCRIPTION
AS..60	TORICA GOMA EPDM	RUBBER RING
FA1031	ABRAZADERA	CLAMP
FA1032	BRIDA	CLASP
H30414	RACOR EMPALME	UNION FITTING
K..210	CONDENSADOR 16 MF. 220V	16 MF. 220V CONDENSER
LAV.13	TERMOSTATO CALDERIN 90°	90° BOILER THERMOSTAT
LAV.36	JUNTA ALIMENTARIA	ALIMENTARY GASKET
LAV.78	RESIST.CALDERIN 4200 W 230V	4200W 230V BOILER RESISTANCE
LAV.80	TERMOSTATO SEGURIDAD 110°	110° SAFETY THERMOSTAT
LAV.85	T DE CONEXION	CONNECTION T
LAV.86	FILTRO ENTRADA AGUA	INLET FILTER
LAV.87	JUNTA GOMA	RUBBER GASKET
LAV118	TORICA GOMA	RING
LAV120	DOSIFICADOR ABRILLANTADOR	RINSE AID DOSIMETER
LAV208	TORICA SOPORTE GIRATORIO	SUPPORT RING
LAV242	JUNTA GOMA	RUBBER GASKET
LAV316	RACOR 3 VIAS	3 WAYS FITTING
LAV368	TAPA MOTOR	MOTOR LID
LAV369	JUNTA MOTOR	MOTOR GASKET
LAV370	TURBINA MOTOR	MOTOR TURBINE
LAV386	RETEN MOTOR	MECHANICAL SEAL
LAV387	MOTOR 1 HP 0,75KW 230V	1 HP 0,75KW 230V MOTOR
LB.170	ABRAZADERA 40-60	40-60 CLAMP
LCO198	CALDERIN	BOILER
V...62	ABRAZADERA 12-20	12-20 CLAMP
V...63	ABRAZADERA 20-32	20-35 CLAMP
V...68	ABRAZADERA 32-50	35-50 CLAMP
V..135	ELECTR.1 VIA SAL.VERTICAL	VERTICAL EXIT 1 WAY SOLEN
V..198	MANDO TERMOSTATO 90°	90° THERMOSTAT HANDLE
V..546	JUNTA GOMA 3/4	WATER INLET RUBBER GASKET
V..846	BOBINA ELECTROV.220/240V	220/240V SOLENOID COIL
V..861	TUBO GOMA 12X22mm 20ATM	20ATM 12X22mm RUBBER PIPE



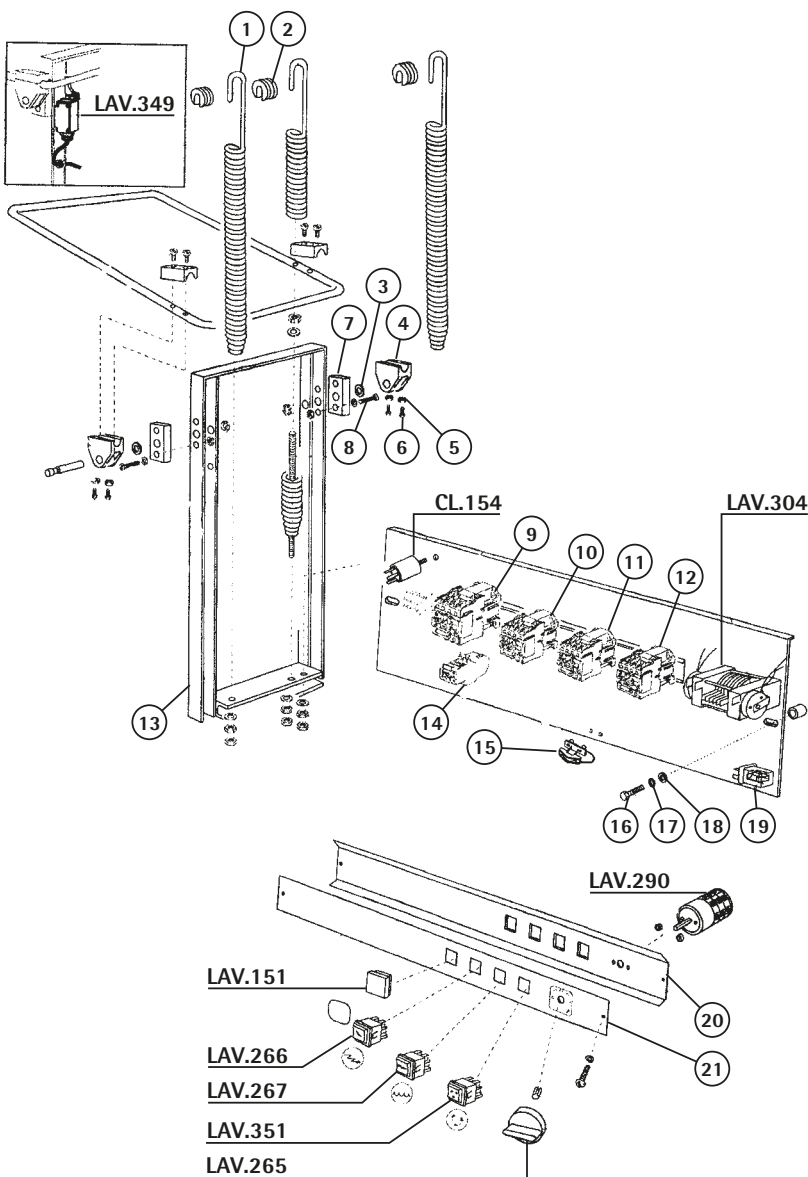
REF.	DESCRIPCIÓN	DESCRIPTION
CA.249	TORICA VALVULA	VALVE RING
H25714	TORNILLO INOX	INOX SCREW
H33791	RACOR ACLARADO	CLEAR FITTING
LAV.38	PLACA	PLATE
LAV.56	GIRATORIO LAVADO F45-F80	F-45/F-80 GYRATORY
LAV.57	TAPON GIRATORIO LAVADO	WASHING REVOLVING CAP
LAV.58	TAPON GIRATORIO LAVADO	WASHING REVOLVING CAP
LAV.59	CASQUILLO GIRATORIO	REVOLVING CAP
LAV.60	TORNILLO FIJAR GIRATORIO	SCREW
LAV.61	SURTIDOR LAVADO SERIE F	SERIE F WASHING SPRAY
LAV.68	TORICA GOMA EPDM	RUBBER RING
LAV.73	GIRAT ACLAR.F45/55/65/80	F-45/55/65/80 GIRATORY
LAV191	GUIA CRUZ LAVADO	WASHING CROSS GUIDE
LAV192	RACOR LAVADO CIEGO	BLIND WASHING FITTING
LAV193	RACOR ACLARADO	RINSE FITTING
LAV194	RACOR LAVADO	WASHING FITTING
LAV195	RACOR ACLARADO CIEGO	BLIND CLEAR FITTING
LAV234	SALIDAS LAVADO IZQUIERDA	LEFT WASHING TIP
LAV235	TORICA GOMA	RING
LAV237	TORICA GOMA	RING
LAV314	CASQUILLO INFERIOR	LOWER CAP
WL2160	TAPON GOMA	RUBBER CAP
WL3321	SALIDAS LAVADO DERECHA	RIGHT WASHING TIP
WL3380	TAPON CON PUNTA	CAP





REF.	DESCRIPCIÓN	DESCRIPTION
FA1032	BRIDA	CLASP
LAV.4	RACOR DESAGÜE LC-380	LC-380 MODERN DRAIN
LAV.5	JUNTA GOMA	RUBBER GASKET
LAV.13	TERMOSTATO CALDERIN 90°	90° BOILER THERMOSTAT
LAV.36	JUNTA ALIMENTARIA	ALIMENTARY GASKET
LAV200	JUNTA ARBOL LAVADO GOMA	WASHING ARM RUBBER GASKET
LAV203	TUERCA CODO DESAGÜE	OUTLET ELBOW NUT
LAV217	CODO DESAGÜE CAZOLETA	DRAIN ELBOW
LAV242	JUNTA GOMA	RUBBER GASKET
LAV246	TUERCA	NUT
LAV247	ALOJAMIENTO TERMOSTATO	THERMOSTAT LODGING
LAV276	RESISTENCIA CUBA 3000W 230V	3000W 230V TANK RESISTANCE
LCO246	REBOSADERO LC380	LC380 OVERFLOW
LF.700	PRESOSTATO SAL/HOR.80/50	50/80 HORIZ.PRESS SWITCH
V...68	ABRAZADERA 32-50	35-50 CLAMP
V.201	TUBO DESAGÜE 28mm. 1,5mt.	28mm. 1.5mt OUTLET PIPE
V..448	TUBO PRESOSTATO-METRO 4X6	4X6 PRE.SWITCH INLET PIPE

Mandos LC-380 ■ LC-380 Handles



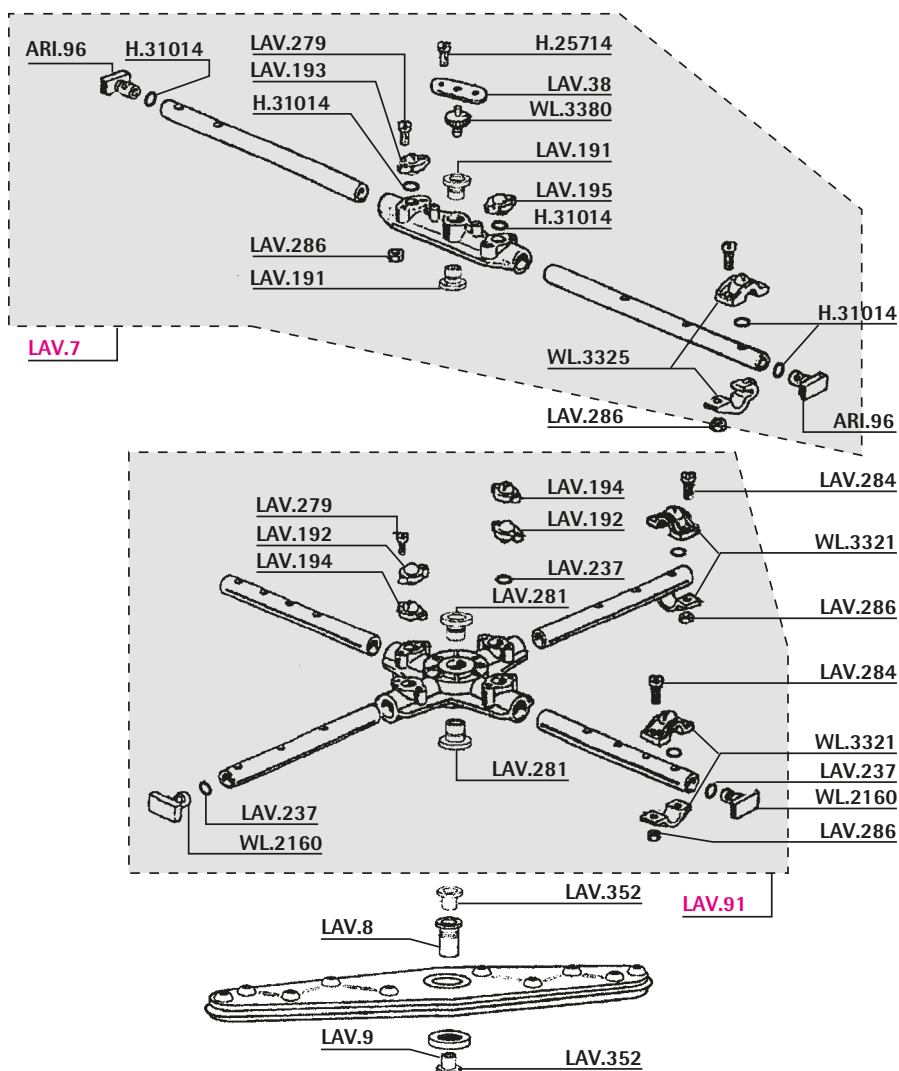
REF.	DESCRIPCIÓN	DESCRIPTION
CL.154	FILTRO ANTIPARASITARIO	ANTIPARASITIC FILTER
LAV151	TAPON CIEGO PANEL MANDOS	BLIND CAP
LAV265	POMO INTERRUPTOR	SWITCH HANDLE
LAV266	PILOTO VERDE	GREEN LAMP
LAV267	PILOTO VERDE	GREEN LAMP
LAV290	INTERRUPTOR GENERAL	GENERAL SWITCH
LAV304	PROGRAMADOR C95	C95 TIMER
LAV349	MICRO	MICRO
LAV351	PILOTO	PILOT

45 years offering

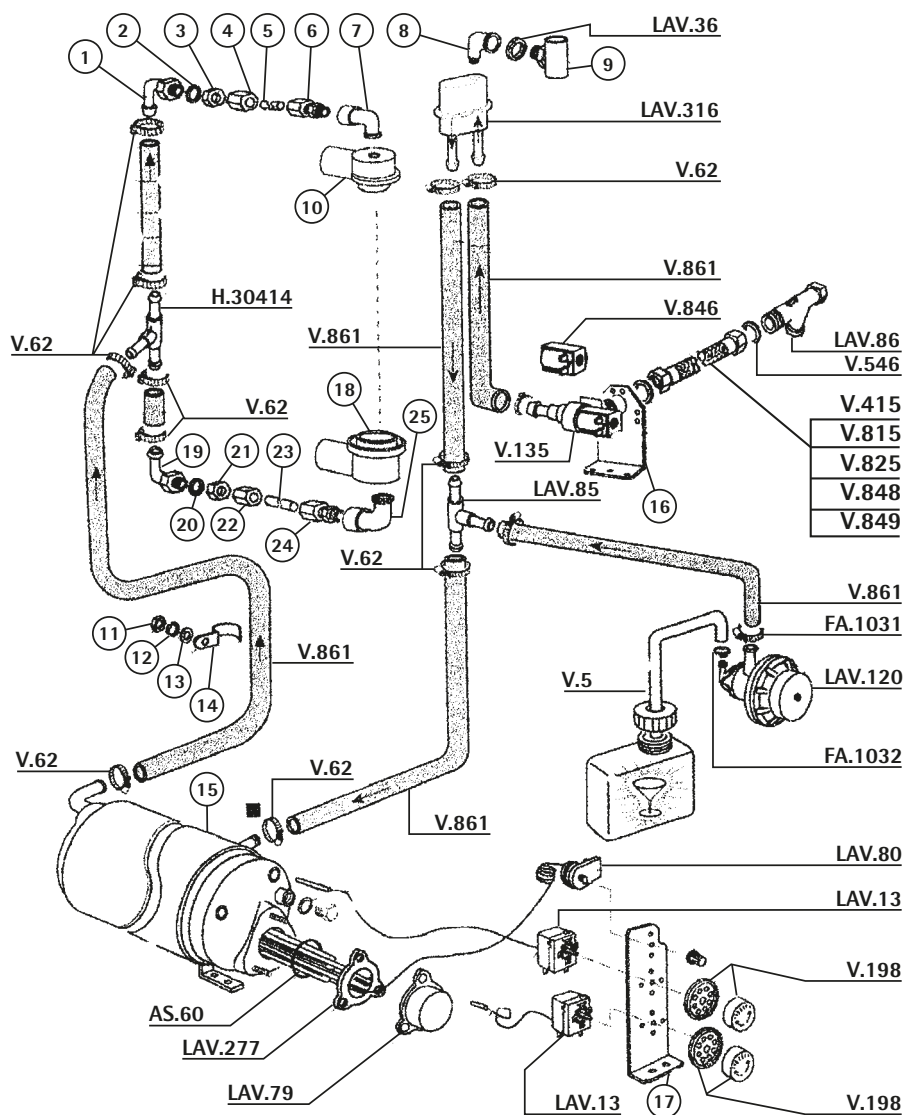


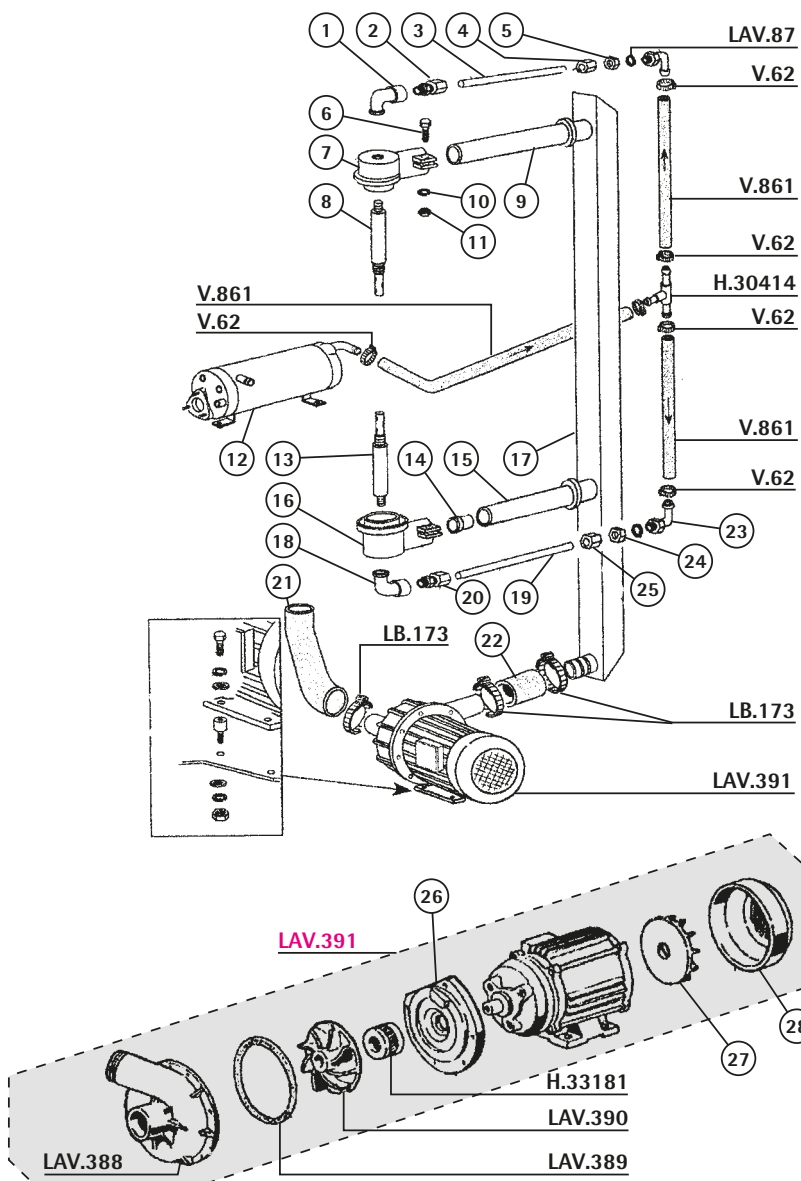
quality, service and competitiveness.

REF.	DESCRIPCIÓN	DESCRIPTION
ARI.96	TAPON GIRATORIO ACLARADO	CLEAR REVOLVING ARM CAP
H25714	TORNILLO INOX	INOX SCREW
H31014	TORICA CIERRE	CLOSING RING
LAV.7	GIRATORIO C40	GYRATORY C-140
LAV.8	CASQUILLO GIRATORIO	REVOLVING CAP
LAV.9	RACOR	FITTING
LAV.38	PLACA	PLATE
LAV.91	GIRATORIO LAVADO C-140/LC380	C-140/LC380 WASH ARM
LAV191	GUIA CRUZ LAVADO	WASHING CROSS GUIDE
LAV192	RACOR LAVADO CIEGO	BLIND WASHING FITTING
LAV193	RACOR ACLARADO	RINSE FITTING
LAV194	RACOR LAVADO	WASHING FITTING
LAV195	RACOR ACLARADO CIEGO	BLIND CLEAR FITTING
LAV237	TORICA GOMA	RING
LAV279	TORNILLO INOX	INOX SCREW
LAV281	CASQUILLO CENTRAL	CENTRAL CAP
LAV284	TORNILLO INOX	INOX SCREW
LAV286	TUERCA INOX	NUT
LAV352	CASQUILLO	CAP
WL2160	TAPON GOMA	RUBBER CAP
WL3321	SALIDAS LAVADO DERECHA	RIGHT WASHING TIP
WL3325	SALIDAS ACLARADO SUP.	UPPER CLEAT TIP
WL3380	TAPON CON PUNTA	CAP



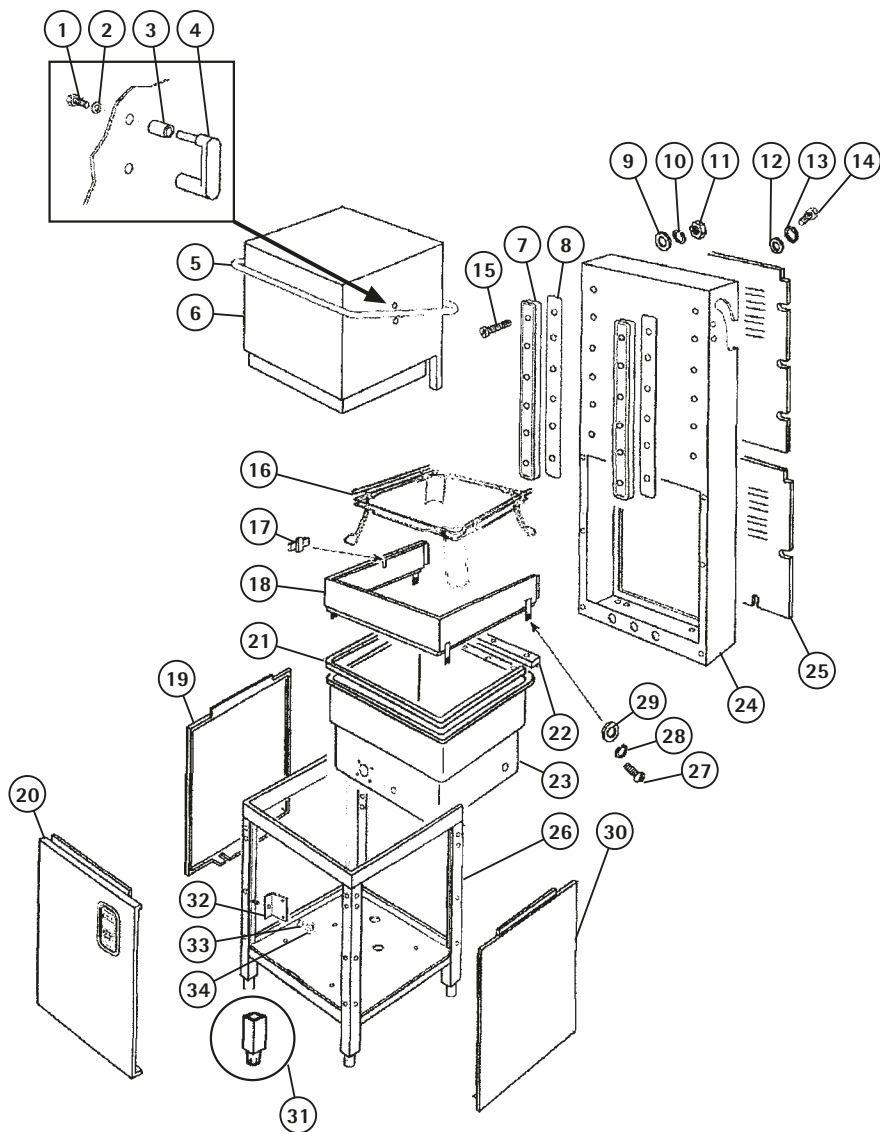
REF.	DESCRIPCIÓN	DESCRIPTION
AS..60	TORICA GOMA EPDM	RUBBER RING
FA1031	ABRAZADERA INOX 8-16	8-16 INOX CLAMP
FA1032	BRIDA	CLASP
H30414	RACOR EMPALME	UNION FITTING
LAV.13	TERMOSTATO CALDERIN 90°	90° BOILER THERMOSTAT
LAV.36	JUNTA ALIMENTARIA	ALIMENTARY GASKET
LAV.79	TAPA RESISTENCIA	RESISTANCE LID
LAV.80	TERMOSTATO SEGURIDAD 110°	110° SAFETY THERMOSTAT
LAV.85	T DE CONEXION	CONNECTION T
LAV.86	FILTRO ENTRADA AGUA	INLET FILTER
LAV120	DOSIFICADOR ABRILLANTADOR	RINSE AID DOSIMETER
LAV277	RESISTENCIA C75/C85/C140	RESISTANCE C75/C85/C140
LAV316	RACOR 3 VIAS	3 WAYS FITTING
V....5	TUBO GOMA 10X16 20 ATM	20ATM 10X16 RUBBER PIPE
V...62	ABRAZADERA 12-20	12-20 CLAMP
V..135	ELECTR.1 VIA SAL.VERTICAL	VERTICAL EXIT 1 WAY SOLEN
V..198	MANDO TERMOSTATO 90°	90° THERMOSTAT HANDLE
V..415	TOMA LAVADORA 1,5M	QUALITY 1.5M.INLET W.FLEX
V..546	JUNTA GOMA 3/4	WATER INLET RUBBER GASKET
V..815	TOMA LAVADORA 2 METROS	2 MT.INLET WATER FLEXIBLE
V..825	TOMA LAVADORA 1.5 "ECO"	"ECO"1.5M INLET WA.FLEXIB
V..848	BOBINA ELECTROV.220/240V	220/240V SOLENOID COIL
V..848	TOMA LAVADORA 1.5M INOX	INOX 1.5M INLET WATER FL.
V..849	TOMA LAV.INOX 2MT.3/4X3/4	INOX 2MT.INLET WATER FLE.
V..861	TUBO GOMA 12X22mm 20ATM	20ATM 12X22mm RUBBER PIPE





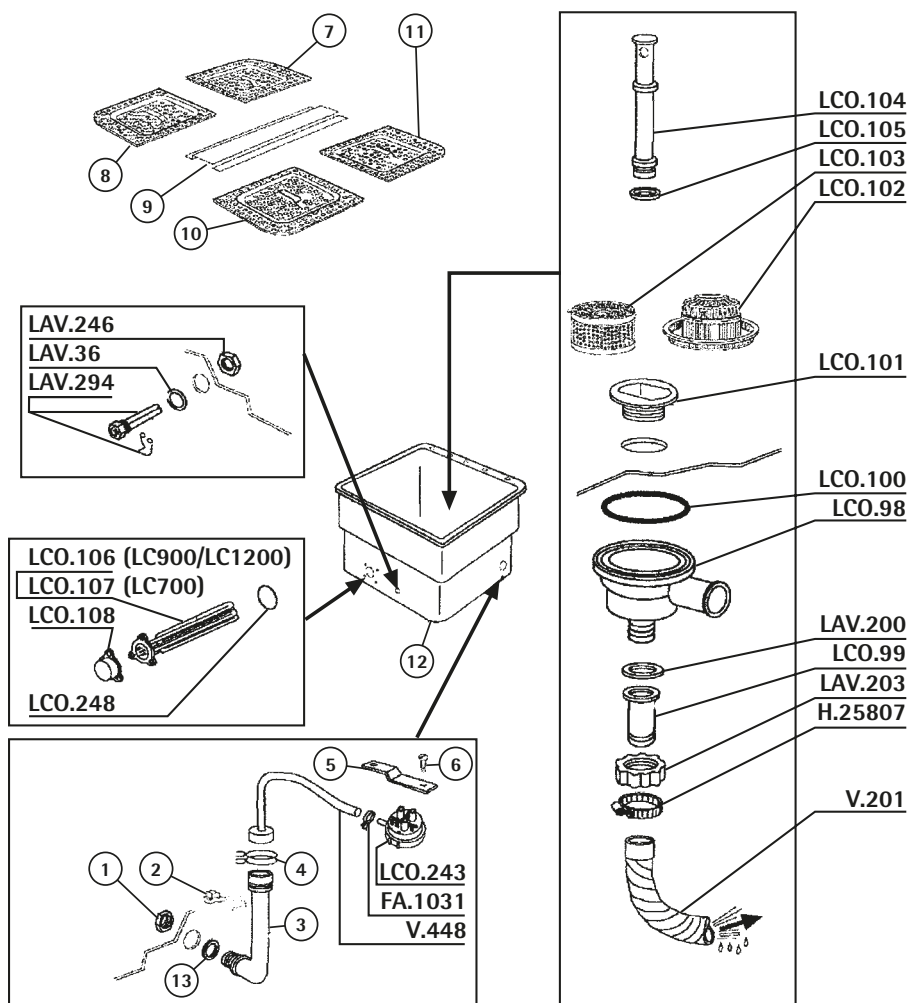
REF.	DESCRIPCIÓN	DESCRIPTION
H30414	RACOR EMPALME	UNION FITTING
H33181	RETEN BOMBA	MECHANICAL SEAL
LAV.87	JUNTA GOMA	RUBBER GASKET
LAV.388	TAPA MOTOR	MOTOR LID
LAV.389	JUNTA MOTOR	MOTOR GASKET
LAV.390	TURBINA	TURBINE
LAV.391	MOTOR 1,5 HP	1,5 HP MOTOR
LB.173	ABRAZADERA 60-80	60-80 CLAMP
V...62	ABRAZADERA 12-20	12-20 CLAMP
V.861	TUBO GOMA 12X22mm 20ATM	20ATM 12X22mm RUBBER PIPE

Carrocería LC700 - LC900 - LC1200 ■ LC700 - LC900 - LC1200 Bodywork

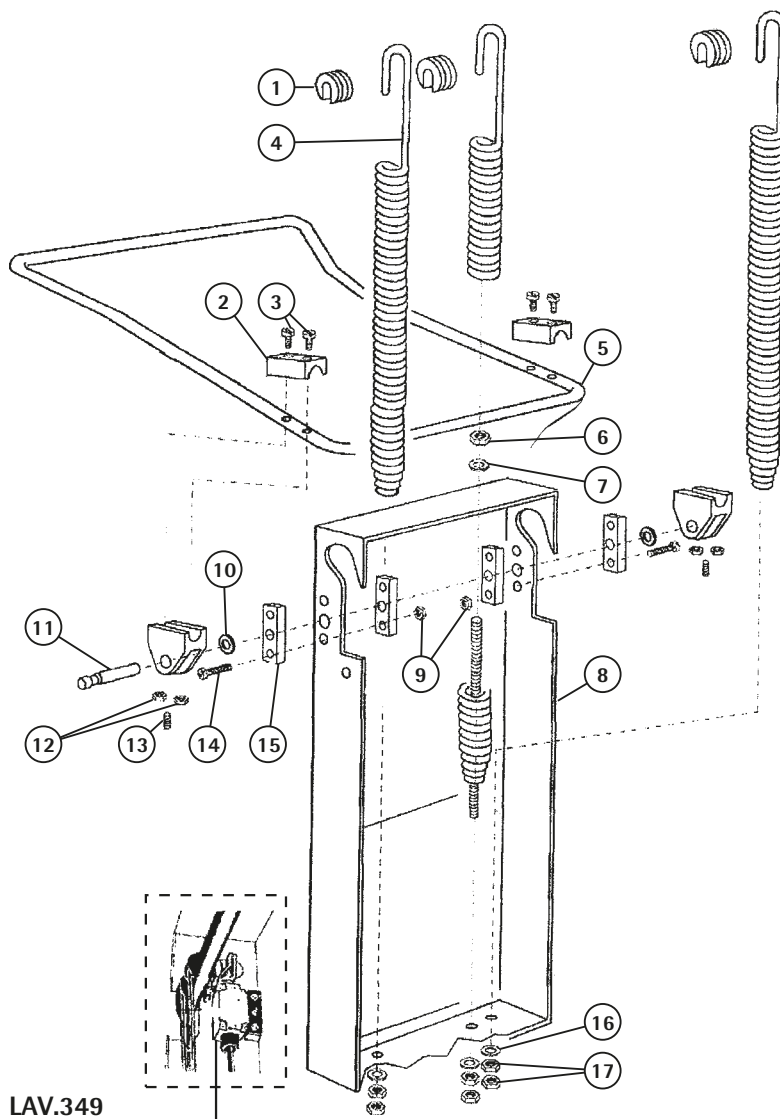


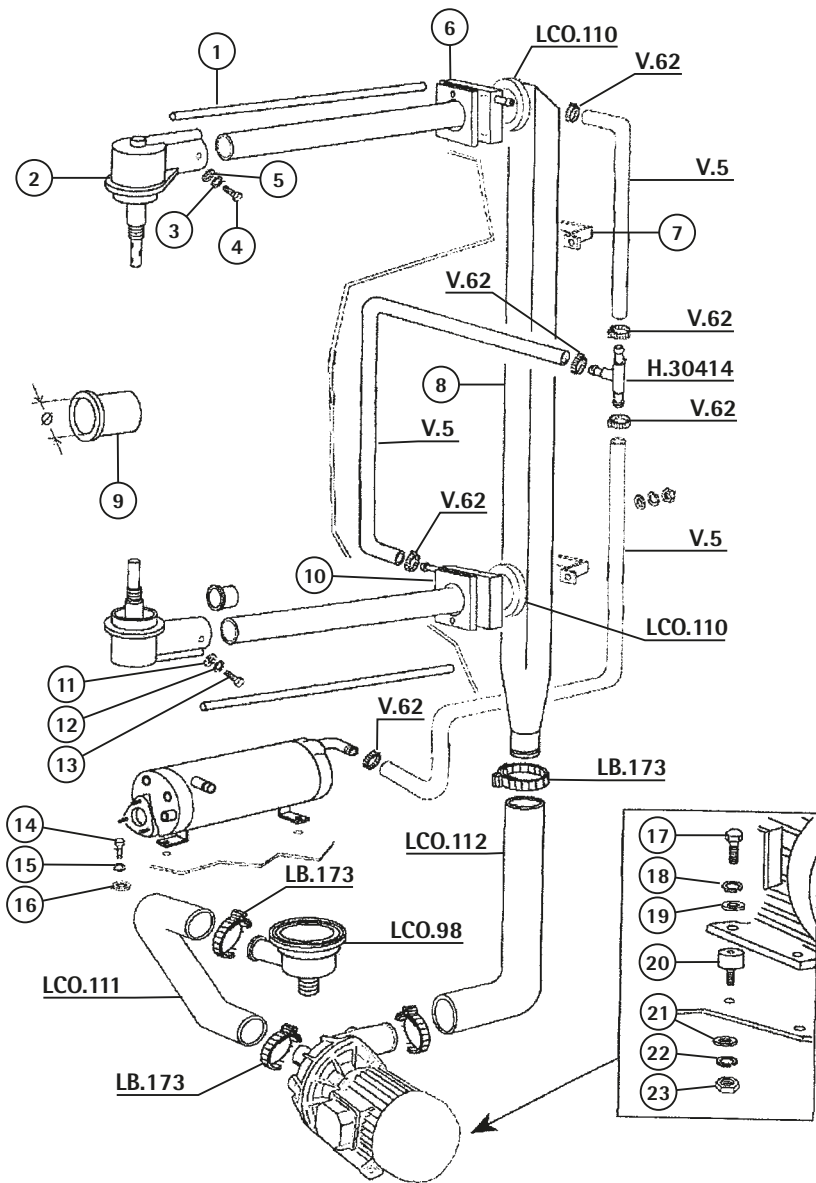
REF.	DESCRIPCIÓN	DESCRIPTION
------	-------------	-------------

REF.	DESCRIPCIÓN	DESCRIPTION
FA1031	ABRAZADERA INOX 8-16	8-16 INOX CLAMP
H25807	ABRAZADERA 25-40	25-40 CLAMP
LAV.36	JUNTA ALIMENTARIA	ALIMENTARY GASKET
LAV200	JUNTA ARBOL LAVADO GOMA	WASHING ARM RUBBER GASKET
LAV203	TUERCA CODO DESAGÜE	OUTLET ELBOW NUT
LAV246	TUERCA	NUT
LAV294	ESPADIN	PIPE
LCO.98	SOPORTE FILTRO	FILTER SUPPORT
LCO.99	RACOR DESAGÜE	DRAIN FITTING
LCO100	JUNTA SOPORTE FILTRO	FILTER SUPPORT GASKET
LCO101	TUERCA SOPORTE FILTRO	FILTER SUPPORT NUT
LCO102	FILTRO LC700/900	LC700/900 FILTER
LCO103	FILTRO LC1200	LC1200 FILTER
LCO104	REBOSADERO	OVERFLOW
LCO105	JUNTA REBOSADERO	OVERFLOW GASKET
LCO106	RESISTENCIA LC900/1200	LC900/1200 RESISTANCE
LCO107	RESISTENCIA LC700	LC700 RESISTANCE
LCO108	TAPA PROTECTORA RESISTENCIA	RESISTANCE PROTECTOR LID
LCO109	MICRO CAPOTA	DOOR MICRO
LCO243	PRESOSTATO SERIE LC	SERIE LC PRESSURE SWITCH
LCO248	JUNTA RESISTENCIA	RESISTANCE GASKET
V..201	TUBO DESAGÜE 28mm. 1,5mt.	28mm. 1.5mt OUTLET PIPE
V..448	TUBO PRESOSTATO-METRO 4X6	4X6 PRE.SWITCH INLET PIPE



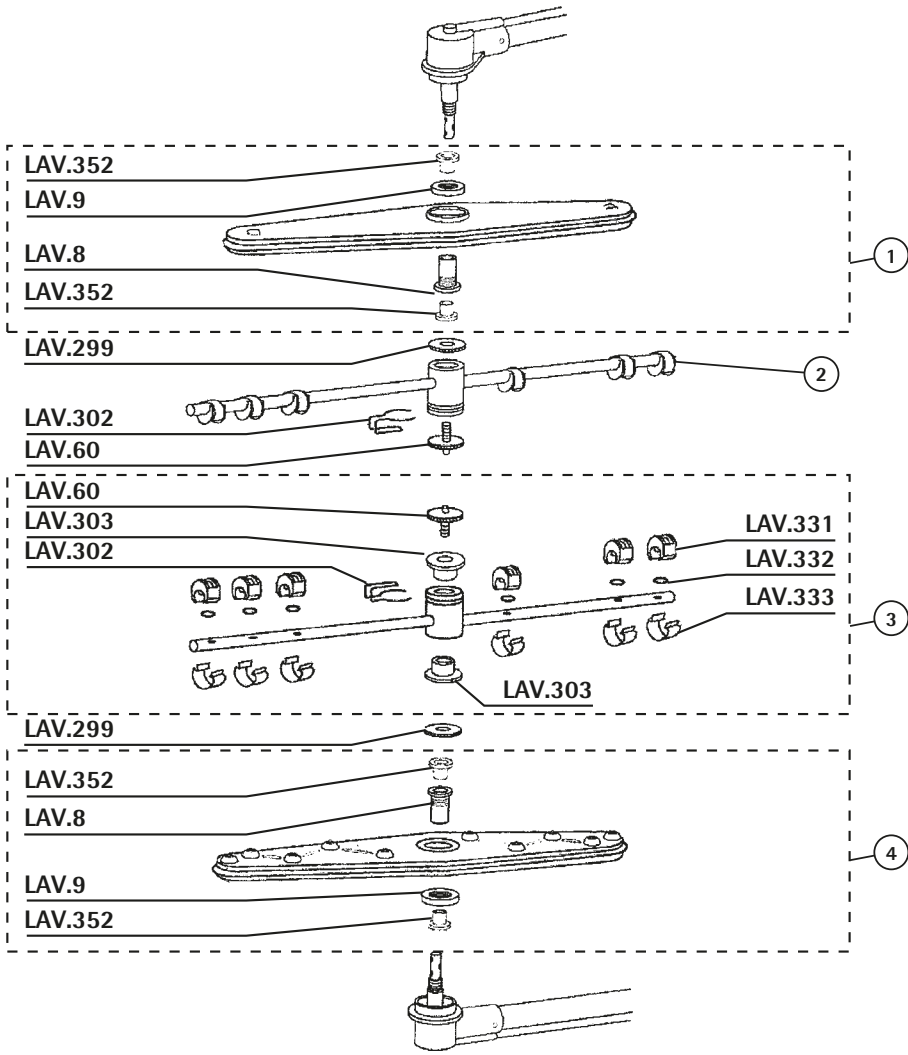
REF.	DESCRIPCIÓN	DESCRIPTION
LAV349	MICRO	MICRO





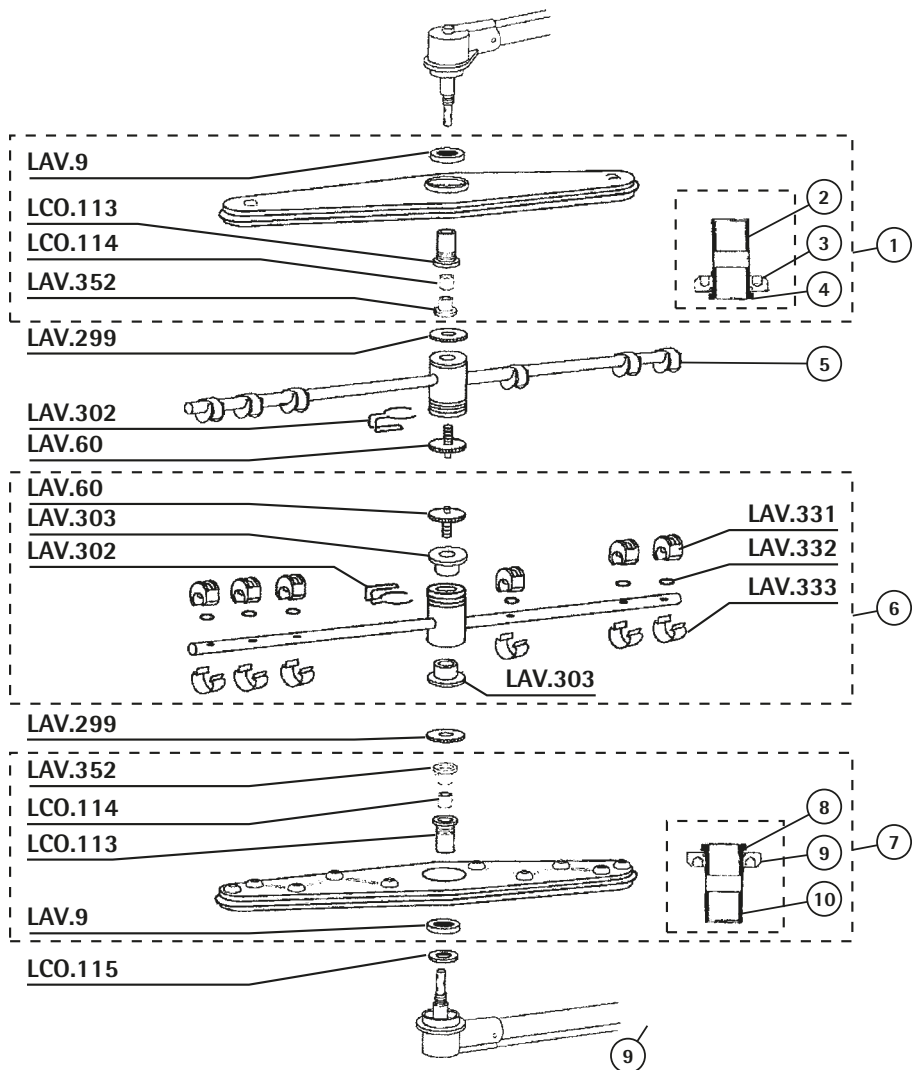
REF.	DESCRIPCIÓN	DESCRIPTION
H30414	RACOR EMPALME	UNION FITTING
LB.173	ABRAZADERA 60-80	60-80 CLAMP
LCO.98	SOPORTE FILTRO	FILTER SUPPORT
LCO.110	JUNTA	GASKET
LCO.111	MANGUITO	SLEEVE
LCO.112	MANGUITO	SLEEVE
V...5	TUBO GOMA 10X16 20 ATM	20ATM 10X17 RUBBER PIPE
V...62	ABRAZADERA 12-20	12-20 CLAMP

Lavado / Aclarado LC700 - LC900 - LC1200 ■ LC700 - LC900 - LC1200 Rinse / Wash

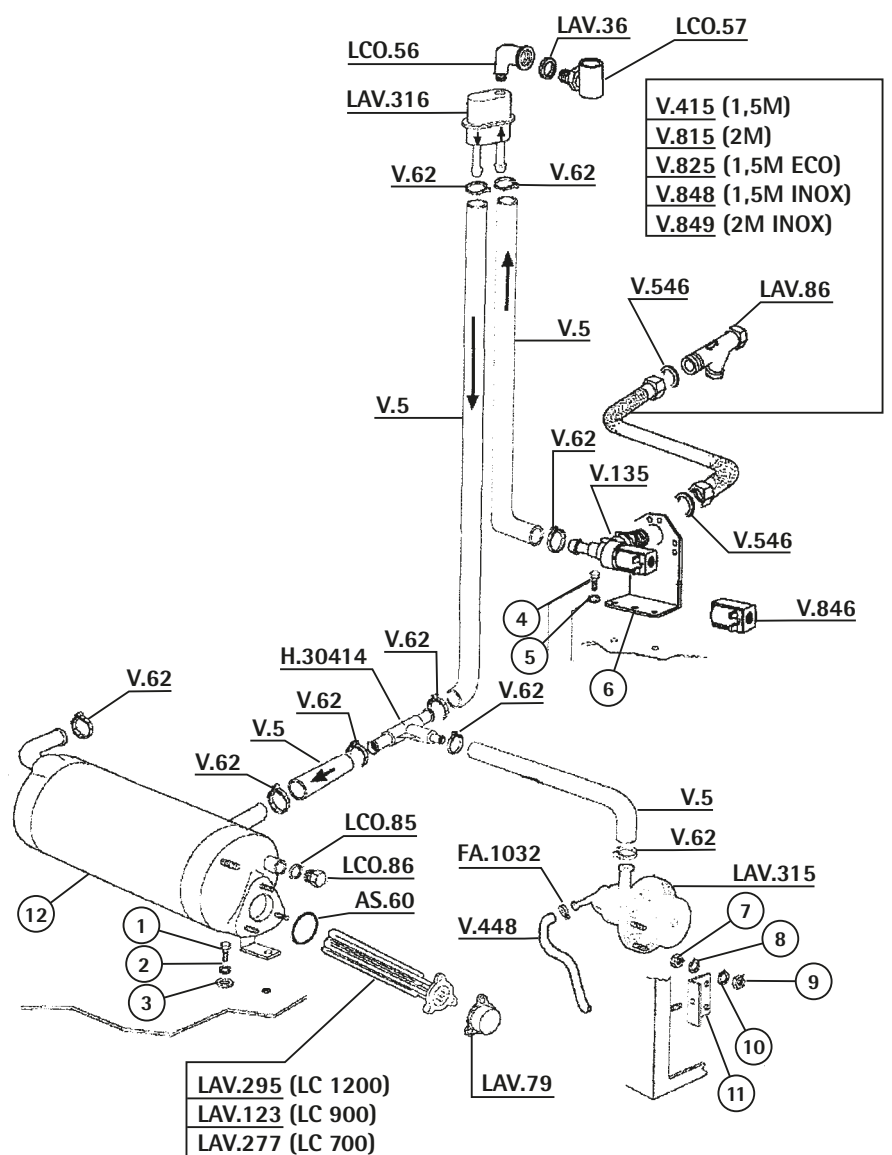


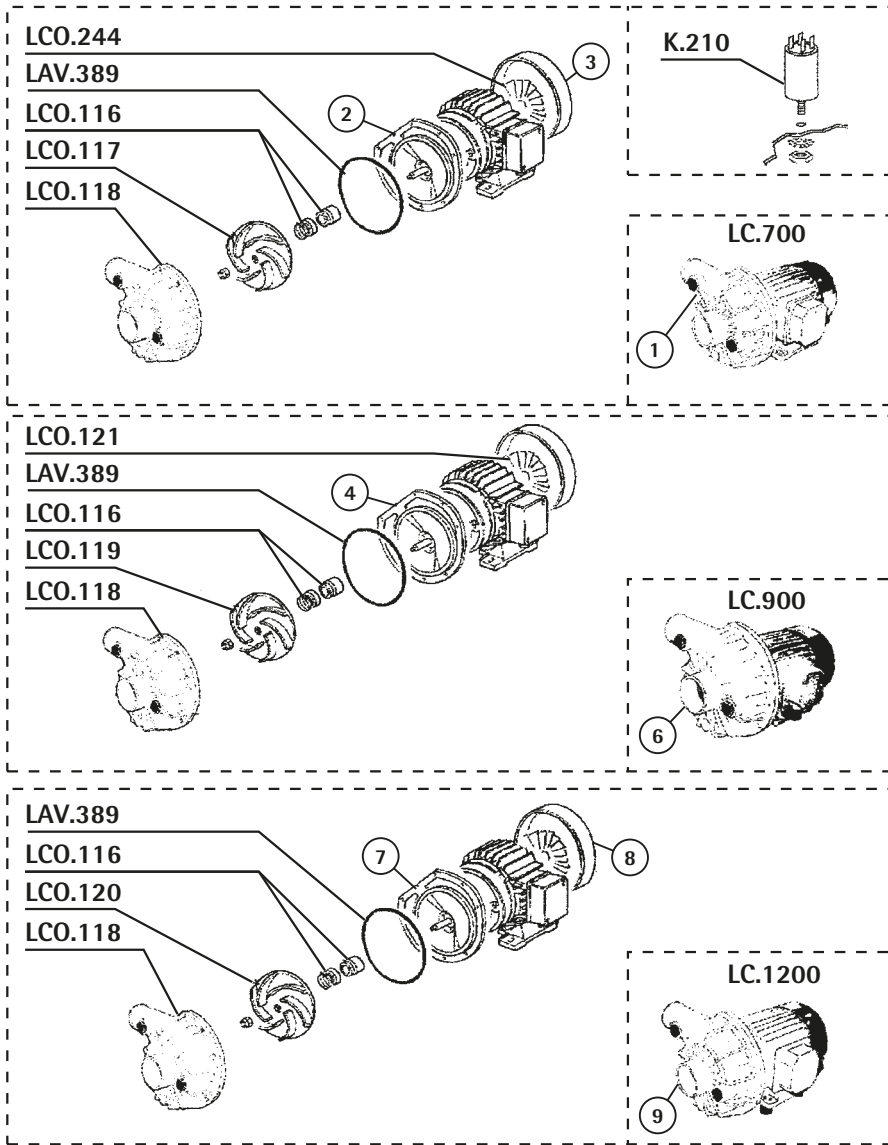
REF.	DESCRIPCIÓN	DESCRIPTION
LAV.8	CASQUILLO GIRATORIO	REVOLVING CAP
LAV.9	RACOR	FITTING
LAV.60	TORNILLO FIJAR GIRATORIO	SCREW
LAV.299	TUERCA INOX	INOX NUT
LAV.302	GRAPA	STAPLE
LAV.303	CASQUILLO	CAP
LAV.331	SURTIDOR ACLARADO	RINSE SPRAY
LAV.332	TORICA GOMA	RUBER GASKET
LAV.333	BRIDA SUJETA SURTIDOR	CLASP
LAV.352	CASQUILLO	CAP

REF.	DESCRIPCIÓN	DESCRIPTION
LAV.9	RACOR	FITTING
LAV.60	TORNILLO FIJAR GIRATORIO	SCREW
LAV299	TUERCA INOX	INOX NUT
LAV302	GRAPA	STAPLE
LAV303	CASQUILLO	CAP
LAV331	SURTIDOR ACLARADO	RINSE SPRAY
LAV332	TORICA GOMA	RUBER GASKET
LAV333	BRIDA SUJETA SURTIDOR	CLASP
LAV352	CASQUILLO	CAP
LCO113	CASQUILLO	CAP
LCO114	ADAPTADOR	ADAPTER
LCO115	ARANDELA	WASHER



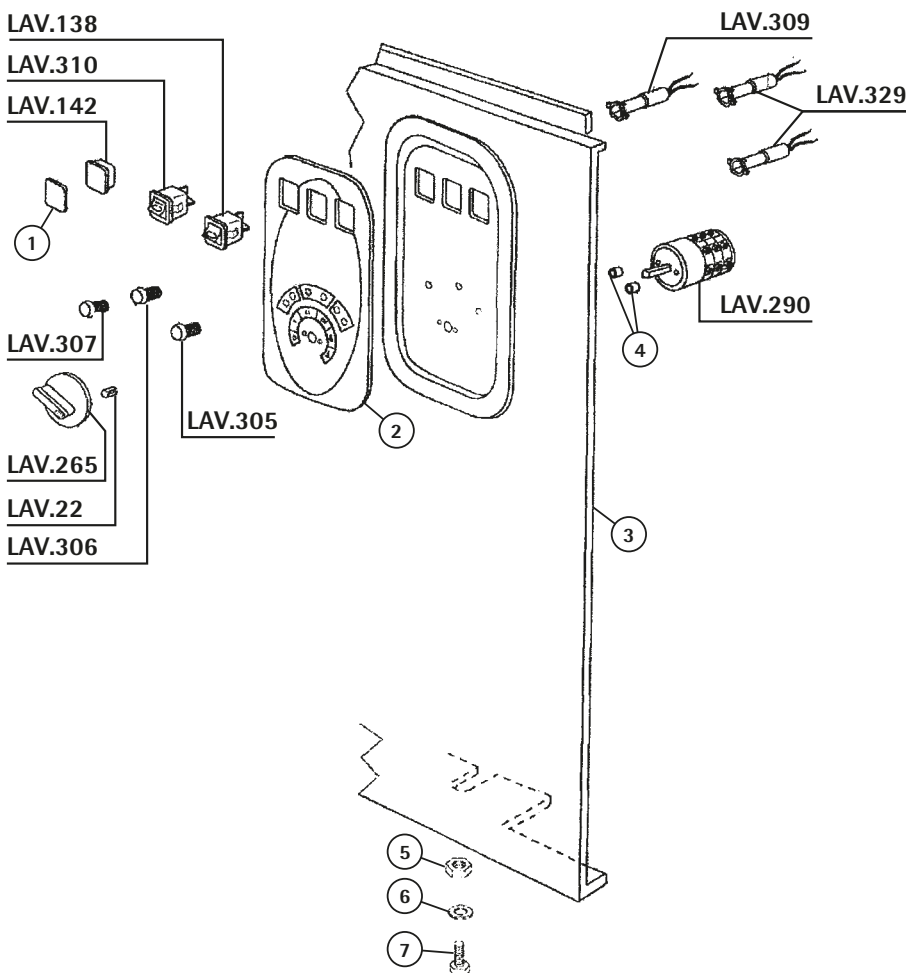
REF.	DESCRIPCIÓN	DESCRIPTION
AS..60	TORICA GOMA EPDM	RUBBER RING
FA1032	BRIDA	CLASP
H30414	RACOR EMPALME	UNION FITTING
LAV.36	JUNTA ALIMENTARIA	ALIMENTARY GASKET
LAV.79	TAPA RESISTENCIA	RESISTANCE LID
LAV.86	FILTRO ENTRADA AGUA	INLET FILTER
LAV277	RESISTENCIA C75/C85/C140	RESISTANCE C75/C85/C140
LAV295	RESISTENCIA C155 9000W	9000W C155 RESISTANCE
LAV315	DOSIFICADOR ABRILLANTADOR	RINSE AID DOSIMETER
LAV316	RACOR 3 VIAS	3 WAYS FITTING
LCO.56	RACOR CODO	ELBOW FITTING
LCO.57	RACOR CODO	ELBOW FITTING
LCO.85	JUNTA	GASKET
LCO.86	RACOR	FITTING
LCO123	RESISTENCIA CALDERIN LC900	LC900 BOILER RESISTANCE
V...5	TUBO GOMA 10X16 20 ATM	20ATM 10X17 RUBBER PIPE
V...62	ABRAZADERA 12-20	12-20 CLAMP
V..135	ELECTR.1 VIA SAL.VERTICAL	VERTICAL EXIT 1 WAY SOLEN
V.415	TOMA LAVADORA 1,5M	QUALITY 1.5M.INLET W.FLEX
V..448	TUBO PRESOSTATO-METRO 4X6	4X6 PRE.SWITCH INLET PIPE
V..546	JUNTA GOMA 3/4	WATER INLET RUBBER GASKET
V..815	TOMA LAVADORA 2 METROS	2 MT.INLET WATER FLEXIBLE
V..825	TOMA LAVADORA 1.5 "ECO"	"ECO"1.5M INLET WA.FLEXIB
V..846	BOBINA ELECTROV.220/240V	220/240V SOLENOID COIL
V..848	TOMA LAVADORA 1.5M INOX	INOX 1.5M INLET WATER FL.
V..849	TOMA LAV.INOX 2MT.3/4X3/4	INOX 2MT.INLET WATER FLE.





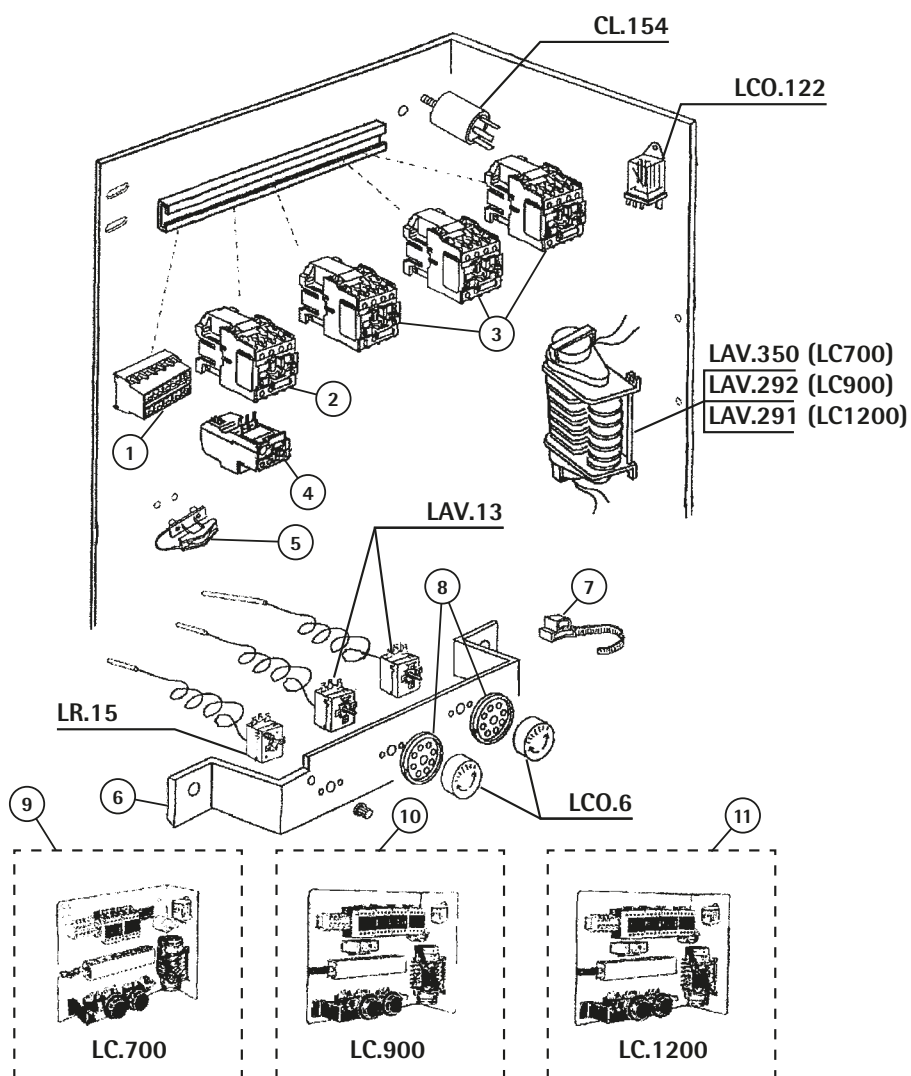
REF.	DESCRIPCIÓN	DESCRIPTION
K.210	CONDENSADOR 16 MF	16 MF CAPACITOR
LAV389	JUNTA MOTOR	MOTOR GASKET
LCO116	RETEN	MECHANICAL SEAL
LCO117	TURBINA 50 HZ	50 HZ TURBINE
LCO118	TAPA MOTOR	MOTOR LID
LCO119	TURBINA LC900 50HZ	50 HZ LC900 TURBINE
LCO120	TURBINA LC1200 50HZ	50 HZ LC1200 TURBINE
LCO121	ASPA TRASERA MOTOR	MOTOR REAR FAN
LCO244	ASPAS	FAN

Panel de mandos LC700 - LC900 - LC1200 ■ LC700 - LC900 - LC1200 Control panel

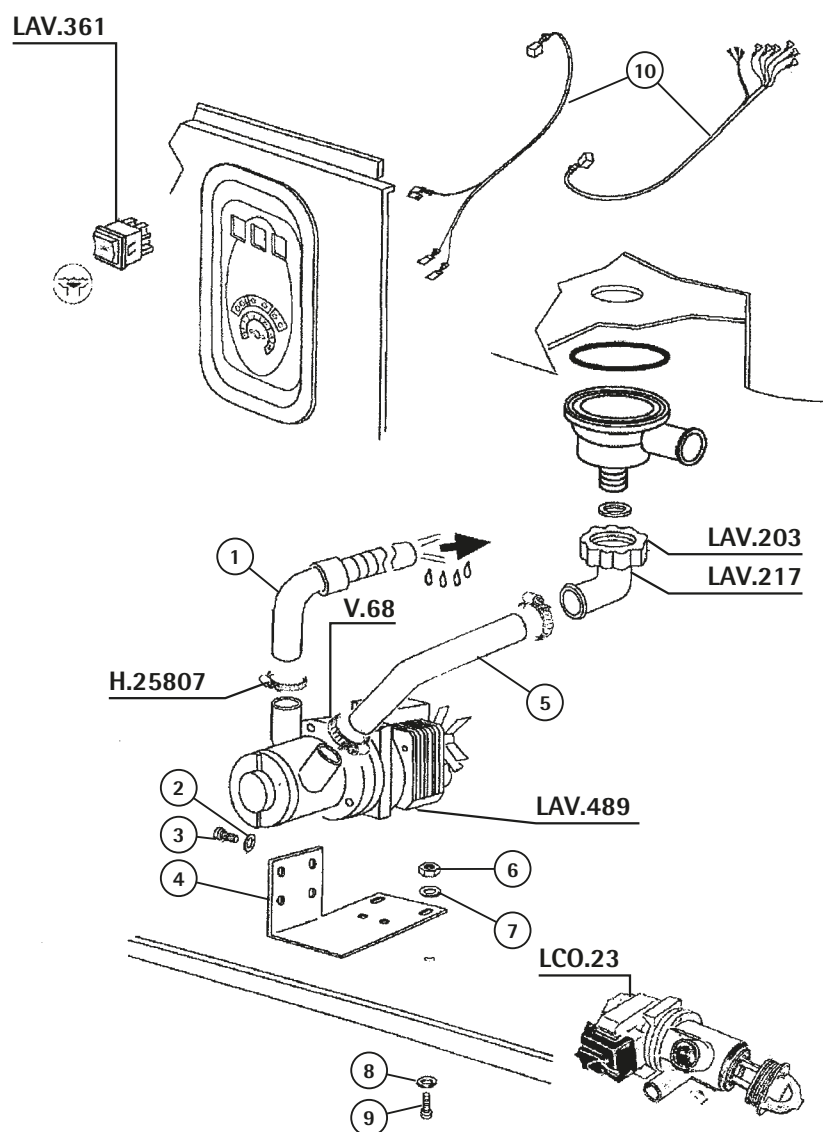


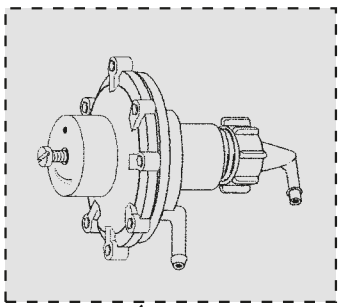
REF.	DESCRIPCIÓN	DESCRIPTION
LAV.22	ANILLO ELASTICO	ELASTIC RING
LAV138	PULSANTE SERIE F	SERIE F PUSH-BUTTON
LAV142	TAPON B-15	B15 CAP
LAV265	POMO INTERRUPTOR	SWITCH HANDLE
LAV290	INTERRUPTOR GENERAL	GENERAL SWITCH
LAV305	PLASTICO PILOTO	WARNING LAMP PLASTIC
LAV306	PLASTICO PILOTO	WARNING LAMP PLASTIC
LAV307	PLASTICO PILOTO	WARNING LAMP PLASTIC
LAV309	PILOTO	WARNING LAMP
LAV310	INTERRUPTOR CICLO	SWITCH
LAV329	LAMPARA PILOTO	LAMP

REF.	DESCRIPCIÓN	DESCRIPTION
CL.154	FILTRO ANTIPARASITARIO	ANTIPARASITIC FILTER
LAV.13	TERMOSTATO CALDERIN 90°	90° BOILER THERMOSTAT
LAV291	PROGRAMADOR C140/C155	C140/C155 TIMER
LAV292	PROGRAMADOR C85/C75	C85/C75 TIMER
LAV350	PROGRAMADOR 6 MICROS	TIMER
LCO..6	MANDO	KNOB
LCO122	RELE	RELAY
LR..15	TERMOSTATO CUBA 90°	90° TANK THERMOSTAT

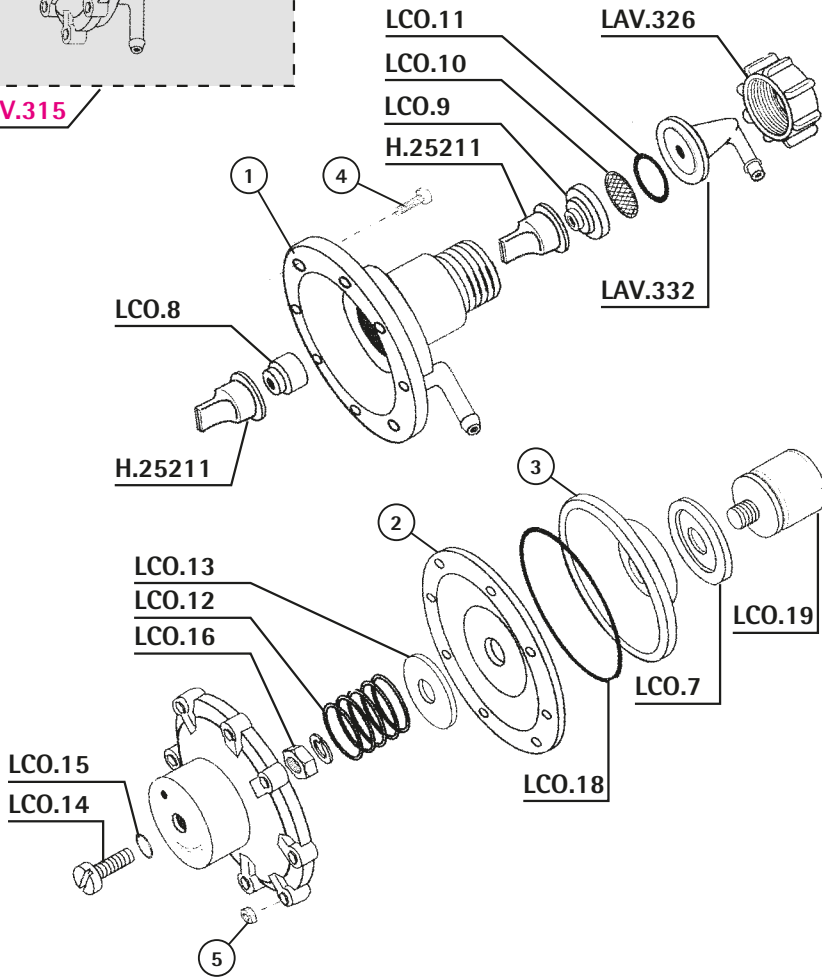


REF.	DESCRIPCIÓN	DESCRIPTION
H25807	ABRAZADERA 25-40	25-40 CLAMP
LAV203	TUERCA CODO DESAGÜE	OUTLET ELBOW NUT
LAV217	CODO DESAGÜE CAZOLETA	DRAIN ELBOW
LAV361	INTERRUPTOR	SWITCH
LAV489	BOMBA DESAGÜE	OUTLET PUMP
LCO.23	BOMBA DESAGÜE	DRAIN PUMP
V...68	ABRAZADERA 32-50	35-50 CLAMP



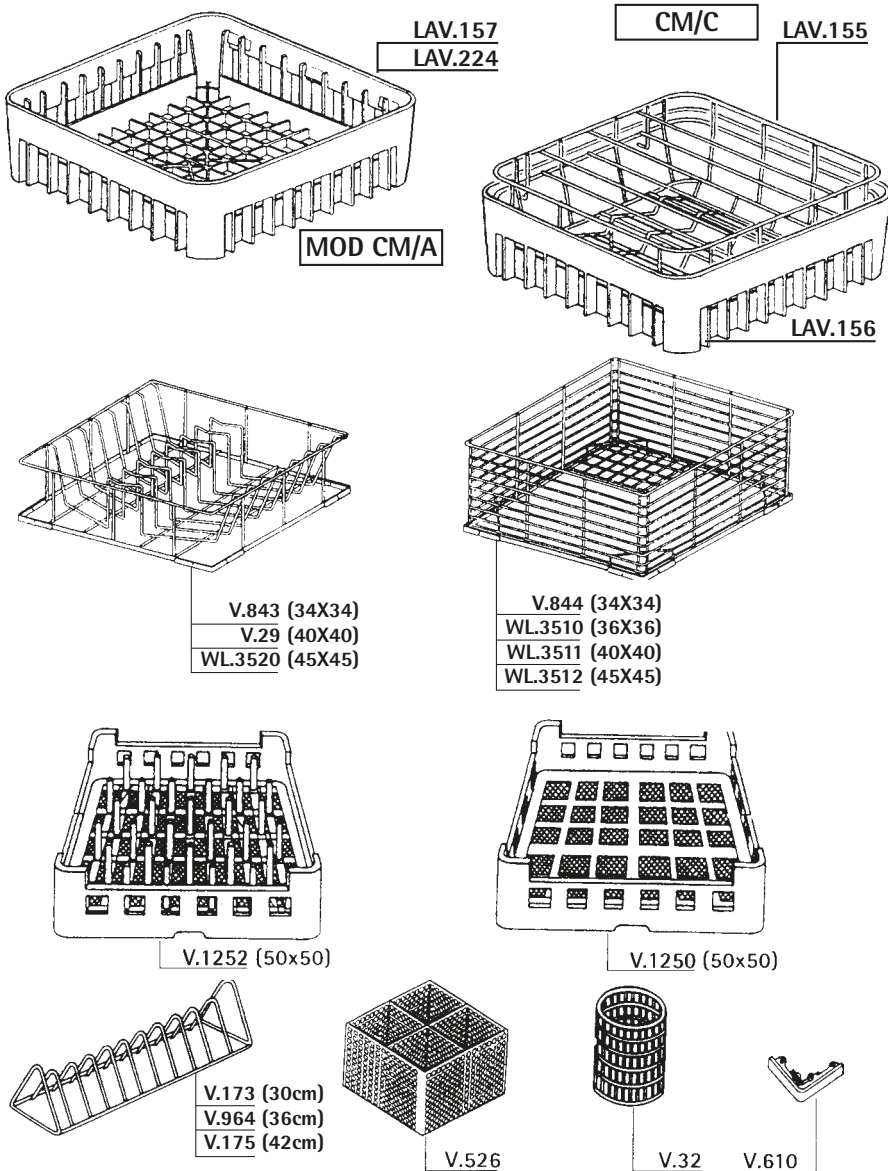


LAV.315



REF.	DESCRIPCIÓN	DESCRIPTION
H25211	VALVULA ABRILLANTADOR	VALVE
LAV315	DOSIFICADOR ABRILLANTADOR	RINSE AID DOSIMETER
LAV326	TUERCA DOSIFICADOR	DOSIMETER NUT
LAV332	TORICA GOMA	RUBER GASKET
LCO..7	JUNTA	GASKET
LCO..8	CASQUILLO	CAP
LCO..9	CASQUILLO	CAP
LCO.10	FILTRO	FILTER
LCO.11	JUNTA	GASKET
LCO.12	MUELLE	SPRING
LCO.13	ARANDELA	WASHER
LCO.14	TORNILLO	SCREW
LCO.15	ARANDELA	WASHER
LCO.16	TUERCA	NUT
LCO.18	JUNTA	GASKET
LCO.19	FILTRO	FILTER

Cestos ■ Baskets



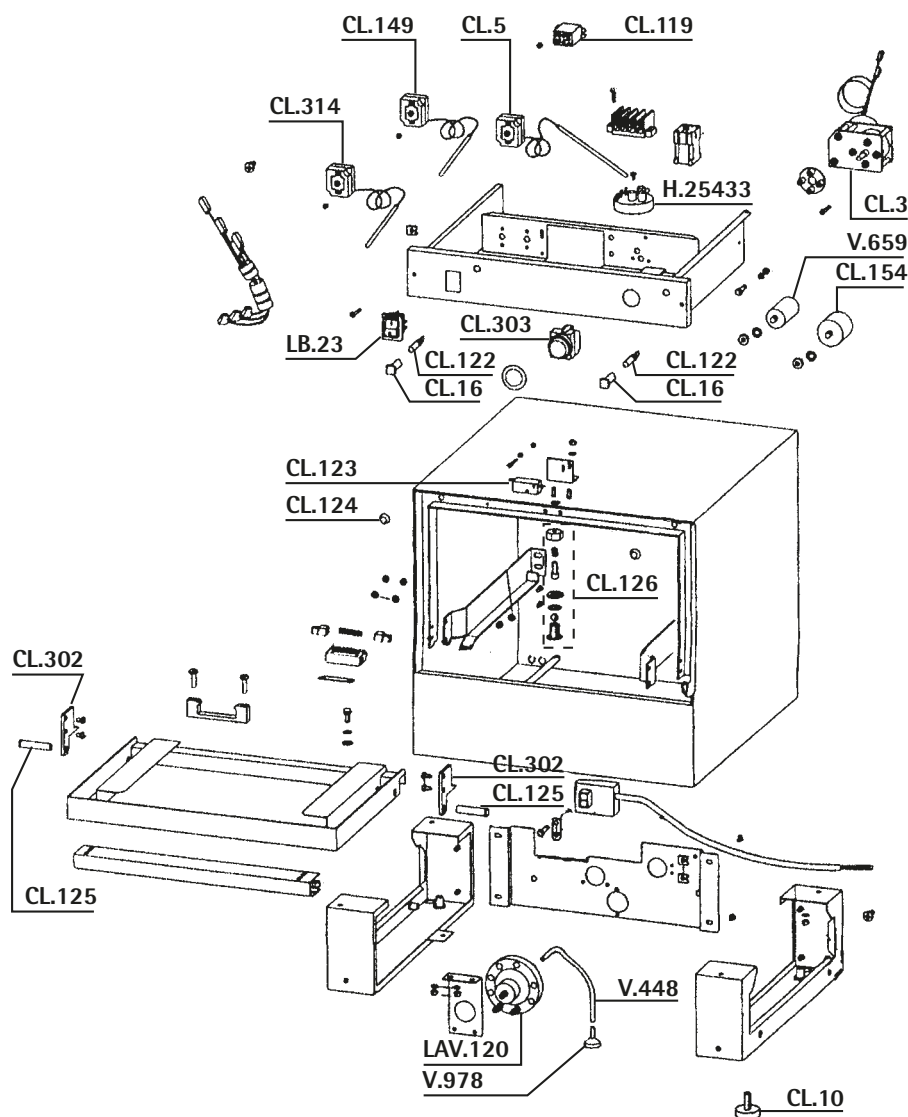
REF.	DESCRIPCIÓN	DESCRIPTION
LAV155	INSERTO VASOS	GLASSES INSERT
LAV156	CESTO VASOS 40X40	40X40 GLASSES BASKET
LAV157	CESTO BASE 40X40	40X40 BASE BASKET
LAV224	CESTO PLATOS 40X40	40X40 DISH BASKET
V...29	CESTO CUADRO PLATOS 40x40	40X40 SQUARE PLATE BASKET
V...32	CESTO CUCHARAS PLASTICO	PLASTIC SPOON BASKET
V..173	INSERTO PLATOS 30CMT.	30CMT DISHES INSERT
V..175	INSERTO PLATOS 42CMT.	42CMT DISHES INSERT
V..526	CESTO CUCHARAS CUADRADO	SQUARE SPOON BASKET
V..610	CANTONERA CESTO CUADRADO	BASKET SQUARE CORNERPIECE
V..843	CESTO CUADRO PLATOS 34X34	34X34 DISH BASKET
V..844	CESTO CUADRO VASOS 34X34	34X34 GLASSES BASKET
V..964	INSERTO PLATOS 36cm	36cm DISHES INSERT
V.1250	CESTA VASOS 50X50	50X50 GLASSES RACK
V.1252	CEST.PLATOS-BANDEJA 50X50	PLATES AND TRAYS RACK
WL3510	CESTO CUADRO VASOS 36x36	36X36 GLASSES BASKET
WL3511	CESTO CUADRO VASOS 40x40	40X40 GLASSES BASKET
WL3512	CESTO CUADRO VASOS 45x45	45X45 GLASSES BASKET
WL3520	CESTO CUADRO PLATOS 45x45	45X45 DISH BASKET

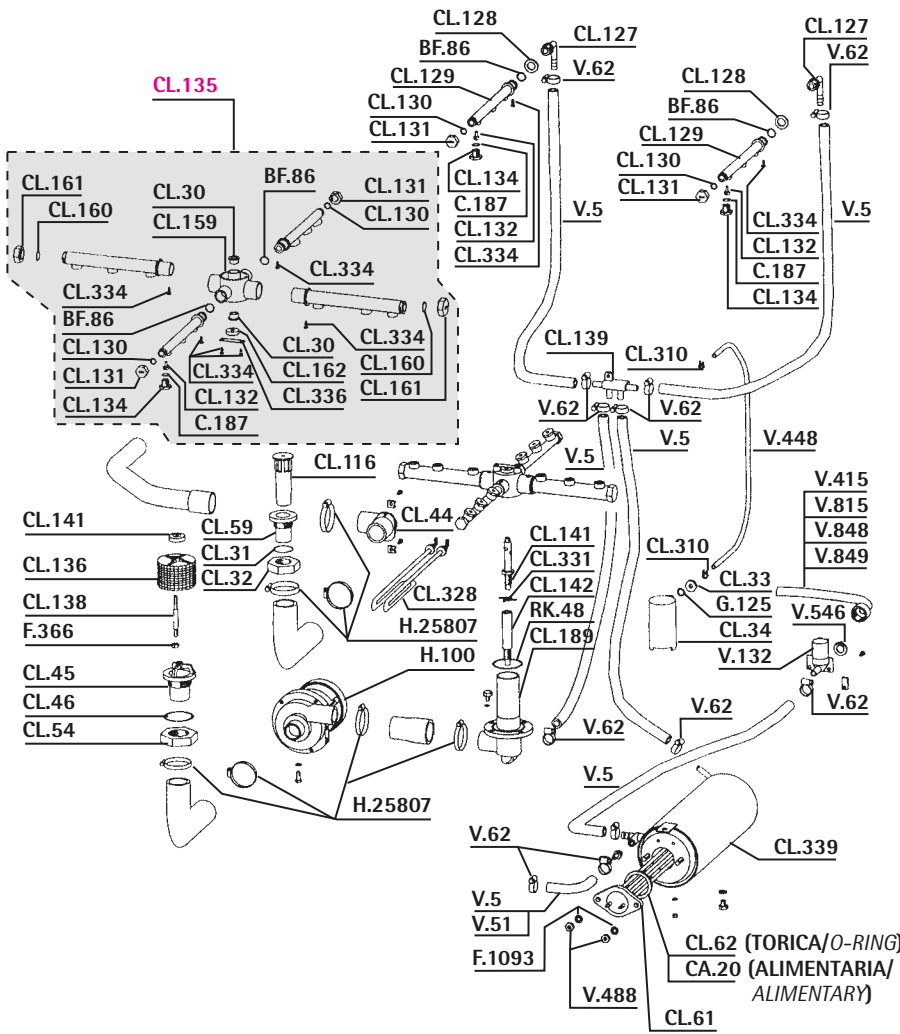
Índice CRYSTAL LINE index

Carrocería / Componentes eléctricos COMPACT	COMPACT Electric components / Bodywork	580
Lavado / Aclarado COMPACT	COMPACT Rinse / Wash	581
Carrocería / Componentes eléctricos 35F - 240F	35F- 240F Electric components / Bodywork	582
Lavado / Aclarado 35F	35F Rinse / Wash	583
Lavado / Aclarado 240F	240F Rinse / Wash	584
Carrocería / Componentes eléctricos 50F	50F Electric components / Bodywork	585
Lavado / Aclarado 50F	50F Rinse / Wash	586
Carrocería B-103-F / B-303-F	B-103-F / B-303-F Bodywork	587
Lavado / Aclarado B-103-F	B-103-F Rinse / Wash	588
Lavado / Aclarado B-303-F	B-303-F Rinse / Wash	589
Carrocería B-103 / B-102-CR	B-103 / B-102-CR Bodywork	590
Lavado / Aclarado B-103 / B-102-CR	B-103 / B-102-CR Rinse / Wash	591
Carrocería / Componentes eléctricos CF35	CF35 Electric components / Bodywork	592
Calderín / Resistencia / Bomba / Filtro / Giratorio CF35	CF35 Giratory / Filter / Pump / Resistance / Boiler	593
Carrocería / Componentes eléctricos CF40	CF40 Electric components / Bodywork	594
Calderín / Resistencia / Bomba / Filtro / Giratorio CF40	CF40 Giratory / Filter / Pump / Resistance / Boiler	595
Carrocería / Componentes eléctricos CF50	CF50 Electric components / Bodywork	596
Calderín / Resistencia / Bomba / Filtro / Giratorio CF50	CF50 Giratory / Filter / Pump / Resistance / Boiler	597
Carrocería / Componentes eléctricos CF70	CF70 Electric components / Bodywork	598
Calderín / Resistencia / Bomba / Filtro / Giratorio CF70	CF70 Giratory / Filter / Pump / Resistance / Boiler	599
Carrocería / Componentes eléctricos CF235	CF235 Electric components / Bodywork	600
Calderín / Resistencia / Bomba / Filtro / Giratorio CF235	CF235 Giratory / Filter / Pump / Resistance / Boiler	601
Carrocería / Componentes eléctricos DL 240	DL240 Electric components / Bodywork	602
Calderín / Resistencia / Bomba / Filtro / Giratorio DL240	DL240 Giratory / Filter / Pump / Resistance / Boiler	603
Carrocería / Componentes eléctricos DS400	DS400 Electric components / Bodywork	604
Calderín / Resistencia / Bomba / Filtro / Giratorio DS400	DS400 Giratory / Filter / Pump / Resistance / Boiler	605
Carrocería C-350 / C-400	C-350 / C-400 Bodywork	606
Lavado / Aclarado C-350 / C-400	C-350 / C-400 Rinse / Wash	607
Calderín C-350 / C-400	C-350 / C-400 Boiler	608
Carrocería C-450 / C-500	C-450 / C-500 Bodywork	609
Calderín C-450 / C-500	C-450 / C-500 Boiler	610
Lavado / Aclarado C-450 / C-500	C-450 / C-500 Rinse / Wash	611
Motores C-350 / 400 / 450 / 500	C-350 / 400 / 450 / 500 Motors	612
Carrocería / Componentes eléctricos CF1000	CF1000 Electric components / Bodywork	613
Calderín / Resistencia / Bomba / Filtro / Giratorio CF1000	CF1000 Giratory / Filter / Pump / Resistance / Boiler	614
Carrocería / Componentes eléctricos DS1200	DS1200 Electric components / Bodywork	615
Lavado / Aclarado DS1200	DS1200 Rinse / Wash	616
Cestos	Baskets	617

Carrocería / Componentes eléctricos COMPACT ■ COMPACT Electric components / Bodywork

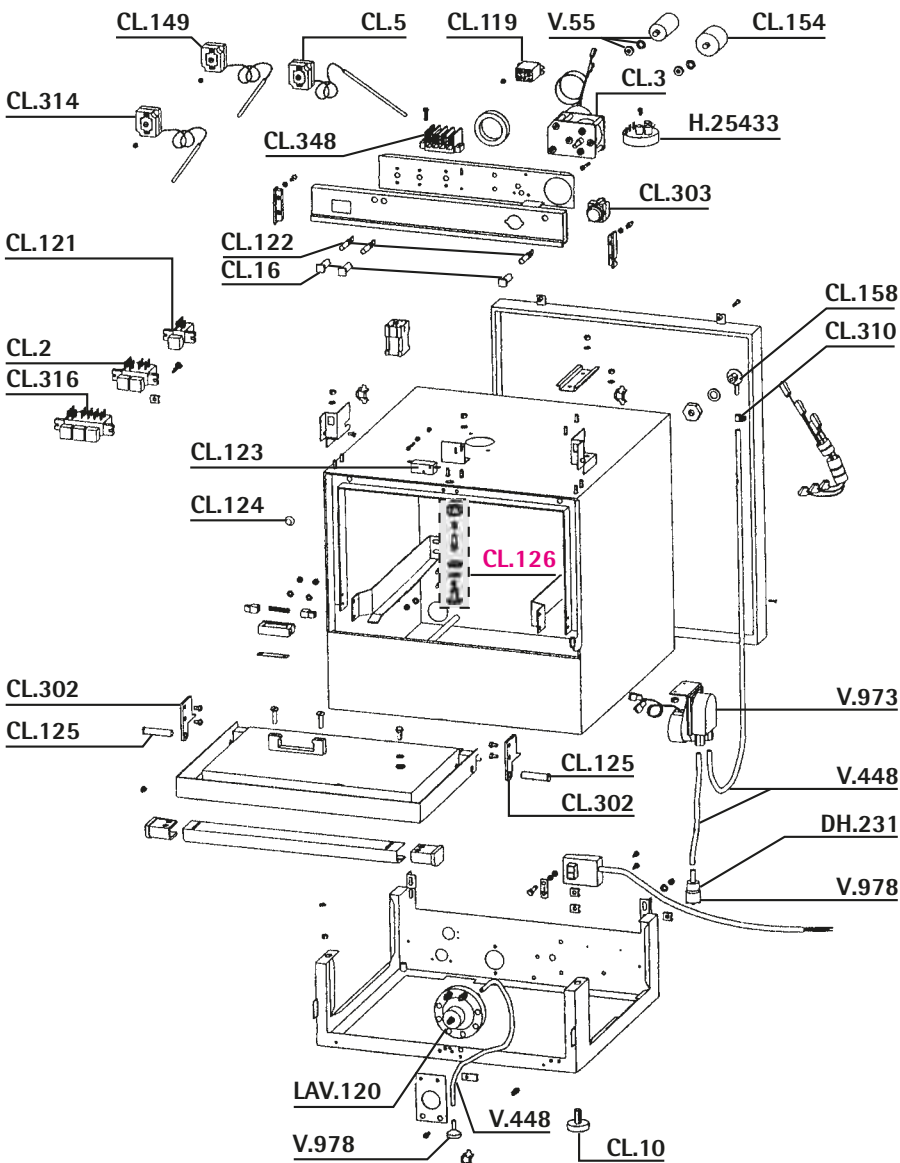
REF.	DESCRIPCIÓN	DESCRIPTION
C..327	RESISTENC.1GR 1300W/110V	RESISTANCE.1GR 1300W/110V
CL...3	PROGRAMADOR 3MIC.120S EJE	3MICRO 120S ROD TIMER
CL...5	TERMOSTATO 85°	85° THERMOSTAT
CL...10	PATA MAQUINA	MACHINE FOOT
CL...16	FUNDA PILOTO LUMINOSO	WATERTIGHTNESS COVER
CL.119	RELE	RELAY
CL.122	PILOTO BLANCO 230V	230V WHITE WARNING LAMP
CL.123	MICRO PUERTA	DOOR MICROSWITCH
CL.124	TOPE PUERTA	DOOR STOP
CL.125	PERNO PUERTA	DOOR BOLT
CL.126	CIERRE PUERTA	CLOSING DOOR
CL.149	TERMOSTATO 55°	55° THERMOSTAT
CL.154	FILTRO ANTIPARASITARIO	ANTIPARASITIC FILTER
CL.302	SOPORTE PUERTA	DOOR SUPPORT
CL.303	PULSADOR	PUSH BUTTON
CL.314	TERMOSTATO LIMITADOR	LIMITER THERMOSTAT
H25433	PRESOSTATO SAL.HOR.35/8	35/8 HORZ.PRESS.SWITCH
LAV120	DOSIFICADOR ABRILLANTADOR	RINSE AID DOSIMETER
LB..23	INTERRUPTOR 4FAXTON VERDE	GREEN 4 FAXTON SWITCH
V..448	TUBO PRESOSTATO-METRO 4X6	4X6 PRE.SWITCH INLET PIPE
V..659	CONDENSADOR 5 MF 220V	220V 5MF CONDENSER
V..978	FILTRO DOSIFICADOR	DOSIMETER FILTER





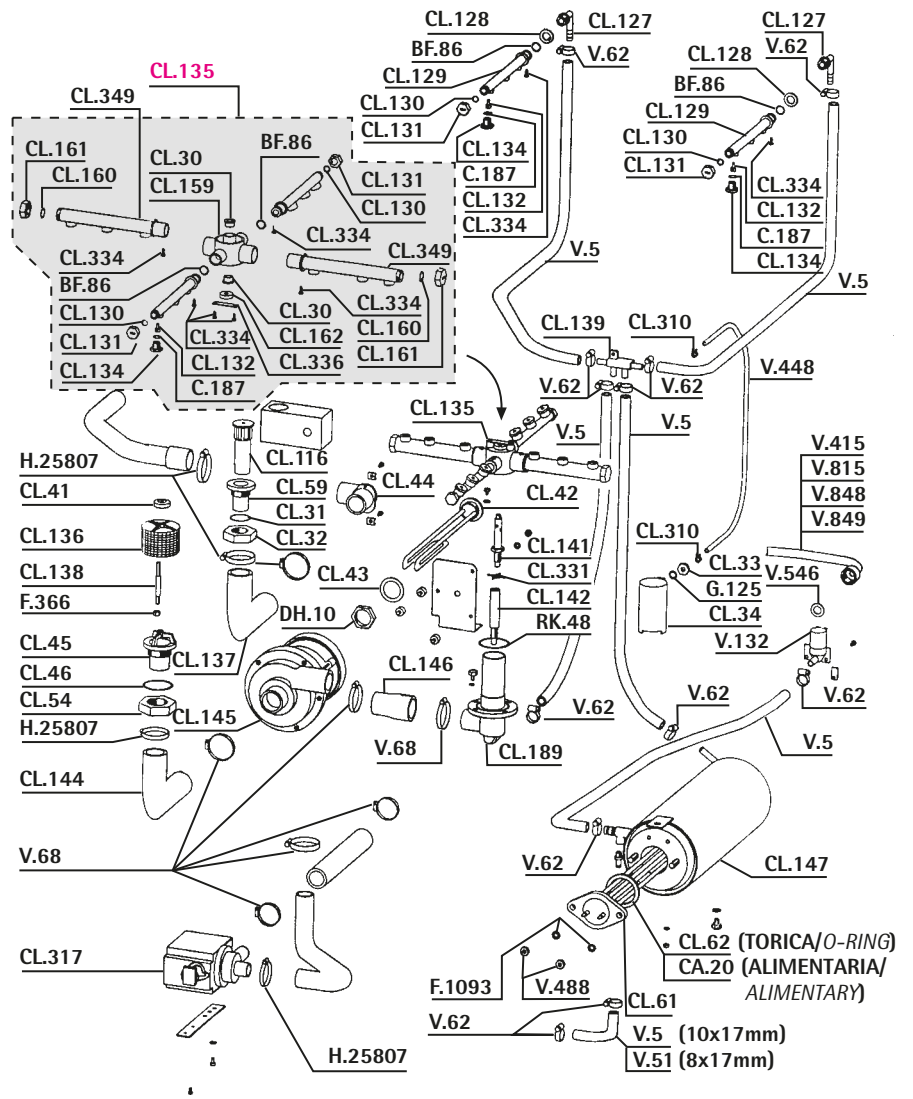
REF.	DESCRIPCIÓN	DESCRIPTION
BF.86	TORICA GOMA	RUBBER RING
C..187	TORICA TUBO VAPOR EPDM	STEAM PIPE RING
CA..20	JUNTA ALIMENTARIA	ALIMENTARY GASKET
CL..30	CASQUILLO GIRATORIO	REVOLVING CAP
CL..31	TORICA COLECTOR	COLLECTOR RING
CL..32	TUERCA PLASTICO	PLASTIC NUT
CL..33	TUERCA CAMARA PRESOSTATICA	PRESSURE SWITCH CHAMBER NUT
CL..34	CAMARA PRESOSTATICA	PRESSURE SWITCH CHAMBER
CL..44	CODO DESAGÜE	DRAIN ELBOW
CL..45	RACOR ASPIRACION	SUCTION FITTING
CL..46	TORICA RACOR	FITTING RING
CL..54	TUERCA PLASTICO RACOR	FITTING NUT
CL..59	RACOR DESAGÜE	DRAIN FITTING
CL..61	RESISTENCIA CALDERIN 2400W230V	230V 2400W BOILER RESISTANCE
CL..62	JUNTA RESISTENCIA GOMA	RESISTANCE RUBBER GASKET
CL.116	SOBRENIVEL	OVERFLOW
CL.127	ACOPLAMIENTO ARBOL	ARM UNION
CL.128	JUNTA ACOPLAMIENTO GOMA	COUPLING RUBBER GASKET
CL.129	BRAZO ACLARADO IZQ.	WASHING ARM
CL.130	TORICA CIERRE	CLOSING RING
CL.131	TAPON ARBOL LAVADO	WASHING PIPE CAP
CL.132	ESTRANGULADOR	SWIRL
CL.134	RACOR ACLARADO	WASHING FITTING
CL.135	ASTA LAVADO	WASHING ARM
CL.136	FILTRO CUBA	TANK FILTER
CL.138	PERNO FILTRO	FILTER BOLT
CL.139	"T" EMPALME	UNION
CL.141	PERNO ASPA LAVADO	WASH TREE BOLT
CL.142	PERNO	BOLT
CL.159	CUERPO ASTA LAVADO	WASHING ARM BODY
CL.160	TORICA DE CIERRE	CLOSING RING
CL.161	TAPON ASTA LAVADO	WASHING ARM CAP
CL.162	TUERCA PLASTICO ASTA LAVADO	WASH ARM NUT
CL.189	COLECTOR	COLLECTOR
CL.310	ABRAZADERA 8-12	8-12 CLAMP
CL.328	RESISTENCIA CUBA 2000W 230V	TANK RESISTANCE 2000W 230V
CL.331	ESTRELLA PERNO	BOLT STAR
CL.334	TORNILLO INOX	SCREW
CL.336	PLACA	PLATE
CL.339	CALDERIN	BOILER
F.366	TUERCA INOX	INOX NUT
F.1093	ARANDELA ELASTICA	ELASTIC WASHER
G..125	TORICA GOMA EPDM	RUBBER RING
H..100	MOTOR HP.10	HP.10 MOTOR
H25807	ABRAZADERA 25-40	25-40 CLAMP
RK..48	TORICA GOMA RESISTENCIA	RESISTANCE RUBBER RING
V...5	TUBO GOMA 10X16 20 ATM	20ATM 10X17 RUBBER PIPE
V..51	TUBO GOMA 20 ATM.8x17	8x17 20 ATM.PIPE
V..62	ABRAZADERA 12-20	12-20 CLAMP
V.132	ELECTROVAL.1 VIA LAV.220V	WASH 1 WAY 220V SOLENOID
V.415	TOMA LAVADORA 1,5M	QUALITY 1.5M.INLET W.FLEX
V.448	TUBO PRESOSTATO-METRO 4X6	4X6 PRE.SWITCH INLET PIPE
V.488	TUERCA M-8	M-8 NUT
V.546	JUNTA GOMA 3/4	WATER INLET RUBBER GASKET
V.815	TOMA LAVADORA 2 METROS	2 MT.INLET WATER FLEXIBLE
V.848	TOMA LAVADORA 1.5M INOX	INOX 1.5M INLET WATER FL.
V.849	TOMA LAV.INOX 2MT.3/4X3/4	INOX 2MT.INLET WATER FL.

Carrocería / Componentes eléctricos 35F - 240F ■ 35F- 240F Electric components / Bodywork

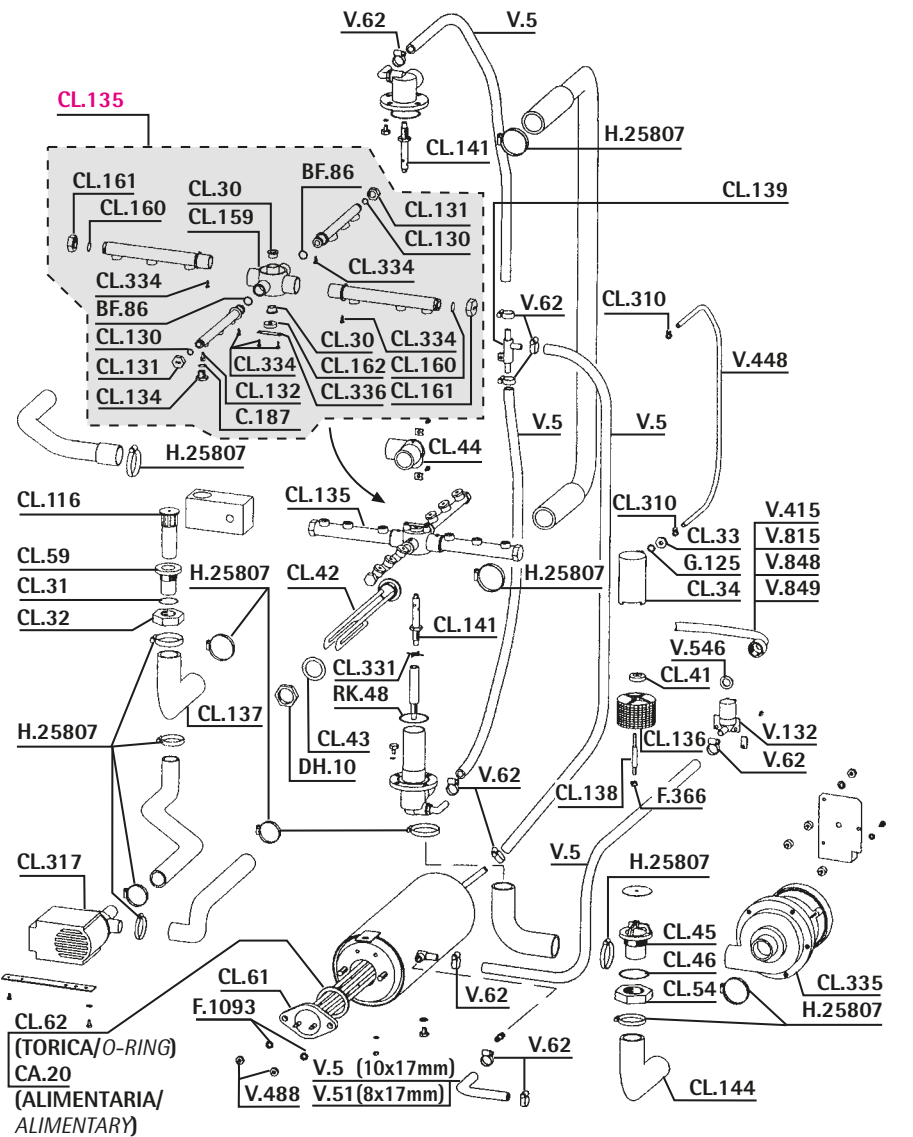


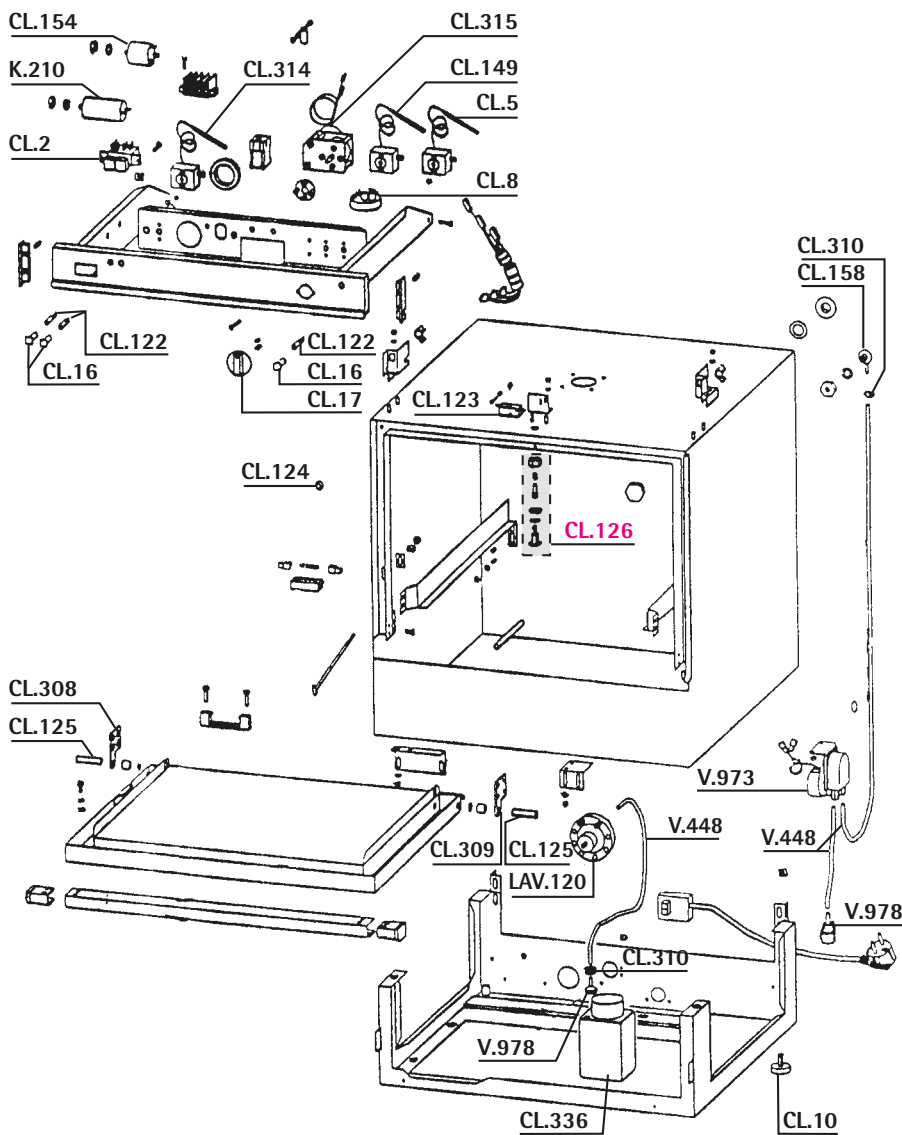
REF.	DESCRIPCIÓN	DESCRIPTION
CL...2	BOTONERA 3 PULSADORES	3 PUSH BUTTON D.DEVICE
CL...3	PROGRAMADOR 3MIC.120S EJE	3MICRO 120S ROD TIMER
CL...5	TERMOSTATO 85°	85° THERMOSTAT
CL..10	PATA MAQUINA	MACHINE FOOT
CL..16	FUNDA PILOTO LUMINOSO	WATERTIGHTNESS COVER
CL.119	RELE	RELAY
CL.120	PULSADOR NEGRO 250V	250V BLACK PUSH BUTTON
CL.121	INTERRUPTOR VERDE	GREEN SWITCH
CL.122	PILOTO BLANCO 230V	230V WHITE WARNING LAMP
CL.123	MICRO PUERTA	DOOR MICROSWITCH
CL.124	TOPE PUERTA	DOOR STOP
CL.125	PERNO PUERTA	DOOR BOLT
CL.126	CIERRE PUERTA	CLOSING DOOR
CL.149	TERMOSTATO 55°	55° THERMOSTAT
CL.154	FILTRO ANTIPARASITARIO	ANTIPARASITIC FILTER
CL.158	RACOR DOSIFICADOR	DOSIMETER FITTING
CL.302	SOPORTE PUERTA	DOOR SUPPORT
CL.303	PULSADOR	PUSH BUTTON
CL.310	ABRAZADERA 8-12	8-12 CLAMP
CL.314	TERMOSTATO LIMITADOR	LIMITER THERMOSTAT
CL.316	BOTONERA 3 PULSADORES	3 BOTTONS DOSING DEVICE
CL.348	CONECTOR	CONNECTOR
DH.231	PESO FILTRO	FILTER FITTING
H25433	PRESOSTATO SAL.HOR.35/8	35/8 HORZ.PRESS.SWITCH
LAV120	DOSIFICADOR ABRILLANTADOR	RINSE AID DOSIMETER
V...55	CONDENSADOR 10 MF 220V	220V 10MF.CONDENSER
V.448	TUBO PRESOSTATO-METRO 4X6	4X6 PRE.SWITCH INLET PIPE
V.973	DOSIFICADOR PERISTALTICO INTER	INTERNAL PERISTALTIC DOS.
V.978	FILTRO DOSIFICADOR	DOSIMETER FILTER

REF.	DESCRIPCIÓN	DESCRIPTION
BF.86	TORICA GOMA	RUBBER RING
C.187	TORICA TUBO VAPOR EPDM	STEAM PIPE RING
CA..20	JUNTA ALIMENTARIA	ALIMENTARY GASKET
CL..30	CASQUILLO GIRATORIO	REVOLVING CAP
CL..31	TORICA COLECTOR	COLLECTOR RING
CL..32	TUERCA PLASTICO	PLASTIC NUT
CL..33	TUERCA CAMARA PRESOSTATIC	PRESSURE SWITCH CHAMBER NUT
CL..34	CAMARA PRESOSTATICA	PRESSURE SWITCH CHAMBER
CL..41	TUERCA SUJECION FILTRO	FILTER NUT
CL..42	RESISTENCIA CUBA 2000W 230V	TANK RESISTANCE 2000W 230V
CL..43	JUNTA RESISTENCIA ALIMEN.	RESISTANCE ALIMEN.GASKET
CL..44	CODO DESAGÜE	DRAIN ELBOW
CL..45	RACOR ASPIRACION	SUCTION FITTING
CL..46	TORICA RACOR	FITTING RING
CL..54	TUERCA PLASTICO RACOR	FITTING NUT
CL..59	RACOR DESAGÜE	DRAIN FITTING
CL..61	RESISTENCIA CALDERIN 2400W230V	230V 2400W BOILER RESISTANCE
CL..62	JUNTA RESISTENCIA GOMA	RESISTANCE RUBBER GASKET
CL.116	SOBRENIVEL	OVERFLOW
CL.127	ACOPAMIENTO ARBOL	ARM UNION
CL.128	JUNTA ACOPLAMIENTO GOMA	COUPLING RUBBER GASKET
CL.129	BRAZO ACLARADO IZQ.	WASHING ARM
CL.130	TORICA CIERRE	CLOSING RING
CL.131	TAPON ARBOL LAVADO	WASHING PIPE CAP
CL.132	ESTRANGULADOR	SWIRL
CL.134	RACOR ACLARADO	WASHING FITTING
CL.135	ASTA LAVADO	WASHING ARM
CL.136	FILTRO CUBA	TANK FILTER
CL.137	MANGUITO	SLEEVE
CL.138	PERNO FILTRO	FILTER BOLT
CL.139	"T" EMPALME	UNION
CL.141	PERNO ASPA LAVADO	WASH TREE BOLT
CL.142	PERNO	BOLT
CL.144	MANGUITO	SLEEVE
CL.145	MOTOR LAVADO	WASHING PUMP
CL.146	MANGUITO	SLEEVE
CL.147	CALDERIN	BOILER
CL.159	CUERPO ASTA LAVADO	WASHING ARM BODY
CL.160	TORICA DE CIERRE	CLOSING RING
CL.161	TAPON ASTA LAVADO	WASHING ARM CAP
CL.162	TUERCA PLASTICO ASTA LAVADO	WASH ARM NUT
CL.189	COLECTOR	COLLECTOR
CL.310	ABRAZADERA 8-12	8-12 CLAMP
CL.317	BOMBA DESAGÜE	OUTLET PUMP
CL.331	ESTRELLA PERNO	BOLT STAR
CL.334	TORNILLO INOX	SCREW
CL.336	PLACA	PLATE
CL.349	BRAZO LAVADO	WASHING ARM
DH..10	TUERCA CODO DESAGÜE	OUTLET ELBOW NUT
F.366	TUERCA INOX	INOX NUT
F.1093	ARANDELA ELASTICA	ELASTIC WASHER
G..125	TORICA GOMA EPDM	RUBBER RING
H25807	ABRAZADERA 25-40	25-40 CLAMP
RK..48	TORICA GOMA RESISTENCIA	RESISTANCE RUBBER RING
V...5	TUBO GOMA 10X16 20 ATM	20ATM 10X17 RUBBER PIPE
V..51	TUBO GOMA 20 ATM.8x17	8x17 20 ATM.PIPE
V..62	ABRAZADERA 12-20	12-20 CLAMP
V..68	ABRAZADERA 32-50	35-50 CLAMP
V.132	ELECTROVAL.1 VIA LAV.220V	WASH 1 WAY 220V SOLENOID
V.415	TOMA LAVADORA 1.5M	QUALITY 1.5M.INLET W.FLEX
V.448	TUBO PRESOSTATO-METRO 4X6	4X6 PRE SWITCH INLET PIPE
V.488	TUERCA M-8	M-8 NUT
V.546	JUNTA GOMA 3/4	WATER INLET RUBBER GASKET
V.815	TOMA LAVADORA 2 METROS	2 MT.INLET WATER FLEXIBLE
V.848	TOMA LAVADORA 1.5M INOX	INOX 1.5M INLET WATER FL.
V.849	TOMA LAV.INOX 2MT.3/4X3/4	INOX 2MT.INLET WATER FLE.



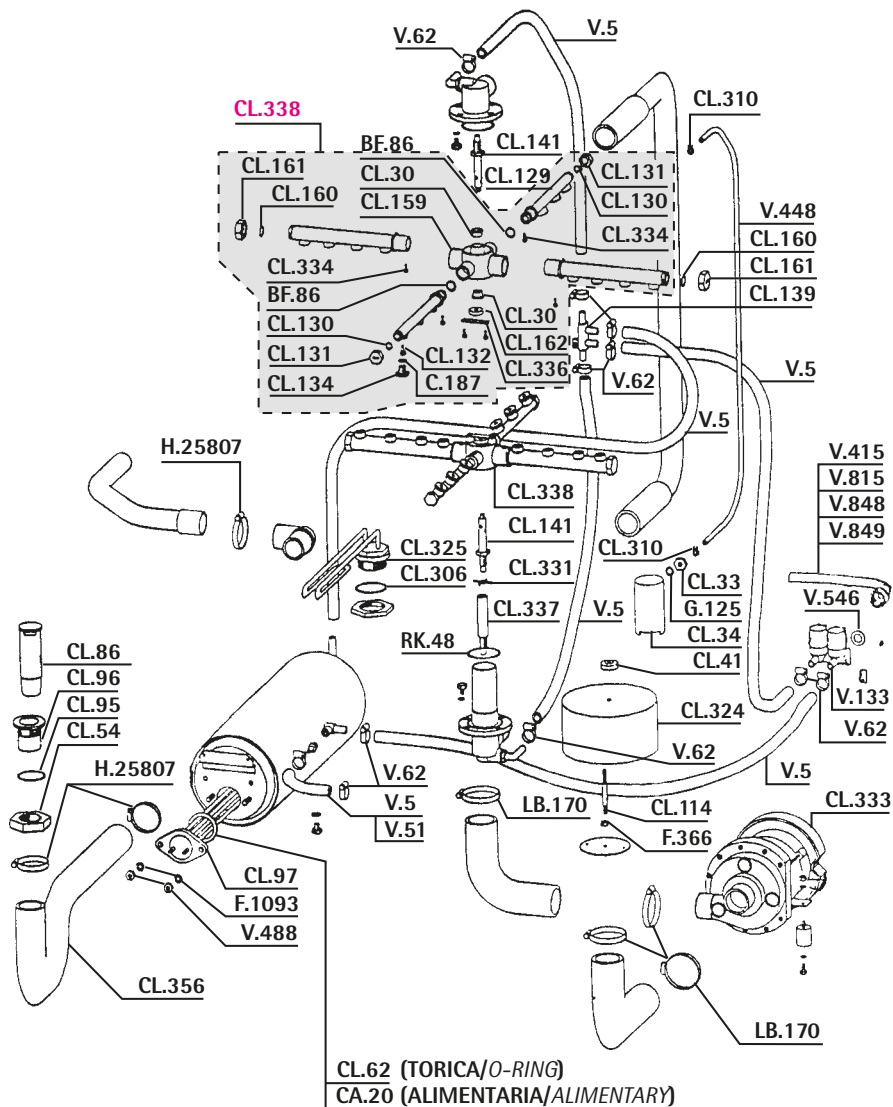
REF.	DESCRIPCIÓN	DESCRIPTION
BF.86	TORICA GOMA	RUBBER RING
C.187	TORICA TUBO VAPOR EPDM	STEAM PIPE RING
CA..20	JUNTA ALIMENTARIA	ALIMENTARY GASKET
CL..30	CASQUILLO GIRATORIO	REVOLVING CAP
CL..31	TORICA COLECTOR	COLLECTOR RING
CL..32	TUERCA PLASTICO	PLASTIC NUT
CL..33	TUERCA CAMARA PRESOSTATIC	PRESSURE SWITCH CHAMBER NUT
CL..34	CAMARA PRESOSTATICA	PRESSURE SWITCH CHAMBER
CL..41	TUERCA SUJECION FILTRO	FILTER NUT
CL..42	RESISTENCIA CUBA 2000W 230V	TANK RESISTANCE 2000W 230V
CL..43	JUNTA RESISTENCIA ALIMEN.	RESISTANCE ALIMEN.GASKET
CL..44	CODO DESAGÜE	DRAIN ELBOW
CL..45	RACOR ASPIRACION	SUCTION FITTING
CL..46	TORICA RACOR	FITTING RING
CL..54	TUERCA PLASTICO RACOR	FITTING NUT
CL..59	RACOR DESAGÜE	DRAIN FITTING
CL..61	RESISTENCIA CALDERIN 2400W230V	230V 2400W BOILER RESISTANCE
CL..62	JUNTA RESISTENCIA GOMA	RESISTANCE RUBBER GASKET
CL.116	SOBRENIVEL	OVERFLOW
CL.130	TORICA CIERRE	CLOSING RING
CL.131	TAPON ARBOL LAVADO	WASHING PIPE CAP
CL.132	ESTRANGULADOR	SWIRL
CL.134	RACOR ACLARADO	WASHING FITTING
CL.135	ASTA LAVADO	WASHING ARM
CL.136	FILTRO CUBA	TANK FILTER
CL.137	MANGUITO	SLEEVE
CL.138	PERNO FILTRO	FILTER BOLT
CL.139	RACOR	FITTING
CL.141	PERNO ASPA LAVADO	WASH TREE BOLT
CL.144	MANGUITO	SLEEVE
CL.159	CUERPO ASTA LAVADO	WASHING ARM BODY
CL.160	TORICA DE CIERRE	CLOSING RING
CL.161	TAPON ASTA LAVADO	WASHING ARM CAP
CL.162	TUERCA PLASTICO ASTA LAVADO	WASH ARM NUT
CL.310	ABRAZADERA 8-12	8-12 CLAMP
CL.317	BOMBA DESAGÜE	OUTLET PUMP
CL.331	ESTRELLA PERNO	BOLT STAR
CL.334	TORNILLO INOX	SCREW
CL.335	MOTOBOMBA	WASHING PUMP
CL.336	PLACA	PLATE
DH..10	TUERCA CODO DESAGÜE	OUTLET ELBOW NUT
F.366	TUERCA INOX	INOX NUT
F.1093	ARANDELA ELASTICA	ELASTIC WASHER
G..125	TORICA GOMA EPDM	RUBBER RING
H25807	ABRAZADERA 25-40	25-40 CLAMP
RK..48	TORICA GOMA RESISTENCIA	RESISTANCE RUBBER RING
V...5	TUBO GOMA 10X16 20 ATM	20ATM 10X17 RUBBER PIPE
V..51	TUBO GOMA 20 ATM.8x17	8x17 20 ATM.PIPE
V..62	ABRAZADERA 12-20	12-20 CLAMP
V.132	ELECTROVAL.1 VIA LAV.220V	WASH 1 WAY 220V SOLENOID
V.415	TOMA LAVADORA 1.5M	QUALITY 1.5M.INLET W.FLEX
V.448	TUBO PRESOSTATO-METRO 4X6	4X6 PRE SWITCH INLET PIPE
V.488	TUERCA M-8	M-8 NUT
V.546	JUNTA GOMA 3/4	WATER INLET RUBBER GASKET
V.815	TOMA LAVADORA 2 METROS	2 MT.INLET WATER FLEXIBLE
V.848	TOMA LAVADORA 1.5M INOX	INOX 1.5M INLET WATER FL.
V.849	TOMA LAV.INOX 2MT.3/4X3/4	INOX 2MT.INLET WATER FLE.





REF.	DESCRIPCIÓN	DESCRIPTION
CL...2	BOTONERA 3 PULSADORES	3 PUSH BUTTON D.DEVICE
CL...5	TERMOSTATO 85°	85° THERMOSTAT
CL...8	PRESOSTATO SAL/HOR.60/25	60/25 HORZ. PRESS.SWITCH
CL...10	PATA MAQUINA	MACHINE FOOT
CL...16	FUNDA PILOTO LUMINOSO	WATERTIGHTNESS COVER
CL...17	MANDO PROGRAMADOR	TIMER HANDLE
CL.122	PILOTO BLANCO 230V	230V WHITE WARNING LAMP
CL.123	MICRO PUERTA	DOOR MICROSWITCH
CL.124	TOPE PUERTA	DOOR STOP
CL.125	PERNO PUERTA	DOOR BOLT
CL.126	CIERRE PUERTA	CLOSING DOOR
CL.149	TERMOSTATO 55°	55° THERMOSTAT
CL.154	FILTRO ANTIPARASITARIO	ANTIPARASITIC FILTER
CL.158	RACOR DOSIFICADOR	DOSIMETER FITTING
CL.308	SOPORTE IZQUIERDO PUERTA	DOOR LEFT SUPPORT
CL.309	SOPORTE DERECHO PUERTA	DOOR RIGHT SUPPORT
CL.310	ABRAZADERA 8-12	8-12 CLAMP
CL.314	TERMOSTATO LIMITADOR	LIMITER THERMOSTAT
CL.315	TEMPORIZAD.CF1000/DS1200	CF100/DS1200 TIMER
CL.336	PLACA	PLATE
K..210	CONDENSADOR 16 MF. 220V	16 MF. 220V CONDENSER
LAV120	DOSIFICADOR ABRILLANTADOR	RINSE AID DOSIMETER
V..448	TUBO PRESOSTATO-METRO 4X6	4X6 PRE.SWITCH INLET PIPE
V..973	DOSIFICADOR PERISTALTICO INTER	INTERNAL PERISTALTIC DOS.
V..978	FILTRO DOSIFICADOR	DOSIMETER FILTER

Lavado / Aclarado 50F ■ 50F Rinse / Wash

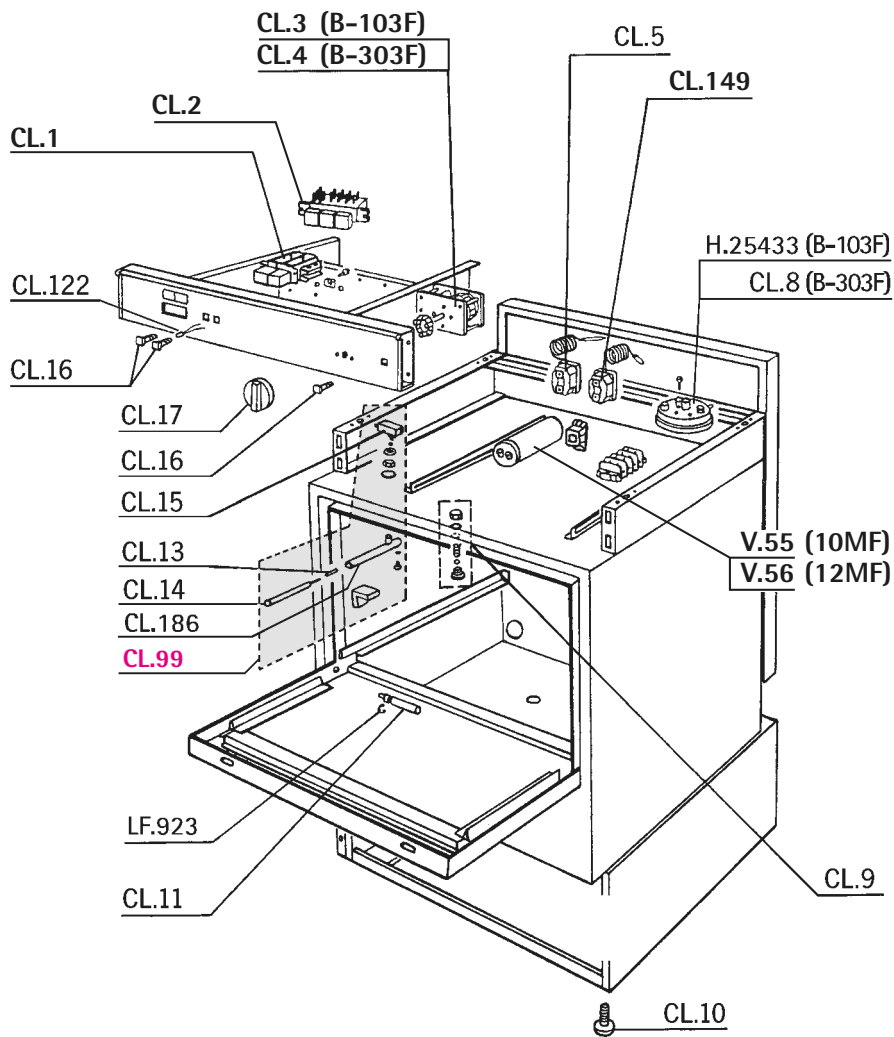


REF.	DESCRIPCIÓN	DESCRIPTION
BF..86	TORICA GOMA	RUBBER RING
C..187	TORICA TUBO VAPOR EPDM	STEAM PIPE RING
CA..20	JUNTA ALIMENTARIA	ALIMENTARY GASKET
CL...30	CASQUILLO GIRATORIO	REVOLVING CAP
CL...33	TUERCA CAMARA PRESOSTATICA	PRESSURE SWITCH CHAMBER NUT
CL...34	CAMARA PRESOSTATICA	PRESSURE SWITCH CHAMBER
CL...41	TUERCA SUJECION FILTRO	FILTER NUT
CL...54	TUERCA PLASTICO RACOR	FITTING NUT
CL...62	JUNTA RESISTENCIA GOMA SOBRENIVEL	RESISTANCE RUBBER GASKET OVERFLOW
CL...86	TORICA GOMA BASE S.NIVEL	BASE OVERFLOW RUBBER RING
CL...95	RACOR DESAGÜE	DRAIN FITTING
CL...96	RESIST. CALDERIN 2800W 230V	BOILER RESISTANCE 2800W 230V
CL...97	PERNO FILTRO	FILTER BOLT
CL.114	BRAZO ACLARADO IZQ.	WASHING ARM
CL.129	TORICA CIERRE	CLOSING RING
CL.130	TAPON ARBOL LAVADO	WASHING PIPE CAP
CL.131	ESTRANGULADOR	SWIRL
CL.132	RACOR ACLARADO	WASHING FITTING
CL.134	"T" EMPALME	UNION
CL.141	PERNO ASPA LAVADO	WASH TREE BOLT
CL.159	CUERPO ASTA LAVADO	WASHING ARM BODY
CL.160	TORICA DE CIERRE	CLOSING RING
CL.161	TAPON ASTA LAVADO	WASHING ARM CAP
CL.162	TUERCA PLASTICO ASTA LAVADO	WASH ARM NUT
CL.306	JUNTA RESISTENCIA CUBA	TANK GASKET
CL.310	ABRAZADERA 8-12	8-12 CLAMP
CL.324	FILTRO	FILTER
CL.325	RESISTENCIA CUBA 2800W/230V	TANK RESISTANCE
CL.331	ESTRELLA PERNO	BOLT STAR
CL.333	MOTOBOMBA 0.75 HP	0.75 HP WASHING PUMP
CL.334	TORNILLO INOX	SCREW
CL.336	PLACA	PLATE
CL.337	SOPORTE PERNO	BOLT SUPPORT
CL.338	BRAZO LAVADO-ACLARADO	WASH-RINSE ARM
CL.356	CODO DESAGÜE 50F	50F DRAIN ELBOWS
F..366	TUERCA INOX	INOX NUT
F.1093	ARANDELA ELASTICA	ELASTIC WASHER
G..125	TORICA GOMA EPDM	RUBBER RING
H25807	ABRAZADERA 25-40	25-40 CLAMP
LB..170	ABRAZADERA 40-60	40-60 CLAMP
RK..48	TORICA GOMA RESISTENCIA	RESISTANCE RUBBER RING
V...5	TUBO GOMA 10X16 20 ATM	20ATM 10X17 RUBBER PIPE
V..51	TUBO GOMA 20 ATM.8X17	8X17 20 ATM.PIPE
V..62	ABRAZADERA 12-20	12-20 CLAMP
V..133	ELECTROVAL.2 VIA LAV.220V	WASH 2 WAYS 220V SOLENOID
V..415	TOMA LAVADORA 1,5M	QUALITY 1.5M.INLET W.FLEX
V..448	TUBO PRESOSTATO-METRO 4X6	4X6 PRE.SWITCH INLET PIPE
V..488	TUERCA M-8	M-8 NUT
V..546	JUNTA GOMA 3/4	WATER INLET RUBBER GASKET
V..815	TOMA LAVADORA 2 METROS	2 MT.INLET WATER FLEXIBLE
V..848	TOMA LAVADORA 1.5M INOX	INOX 1.5M INLET WATER FL.
V..849	TOMA LAV.INOX 2MT.3/4X3/4	INOX 2MT.INLET WATER FLE.

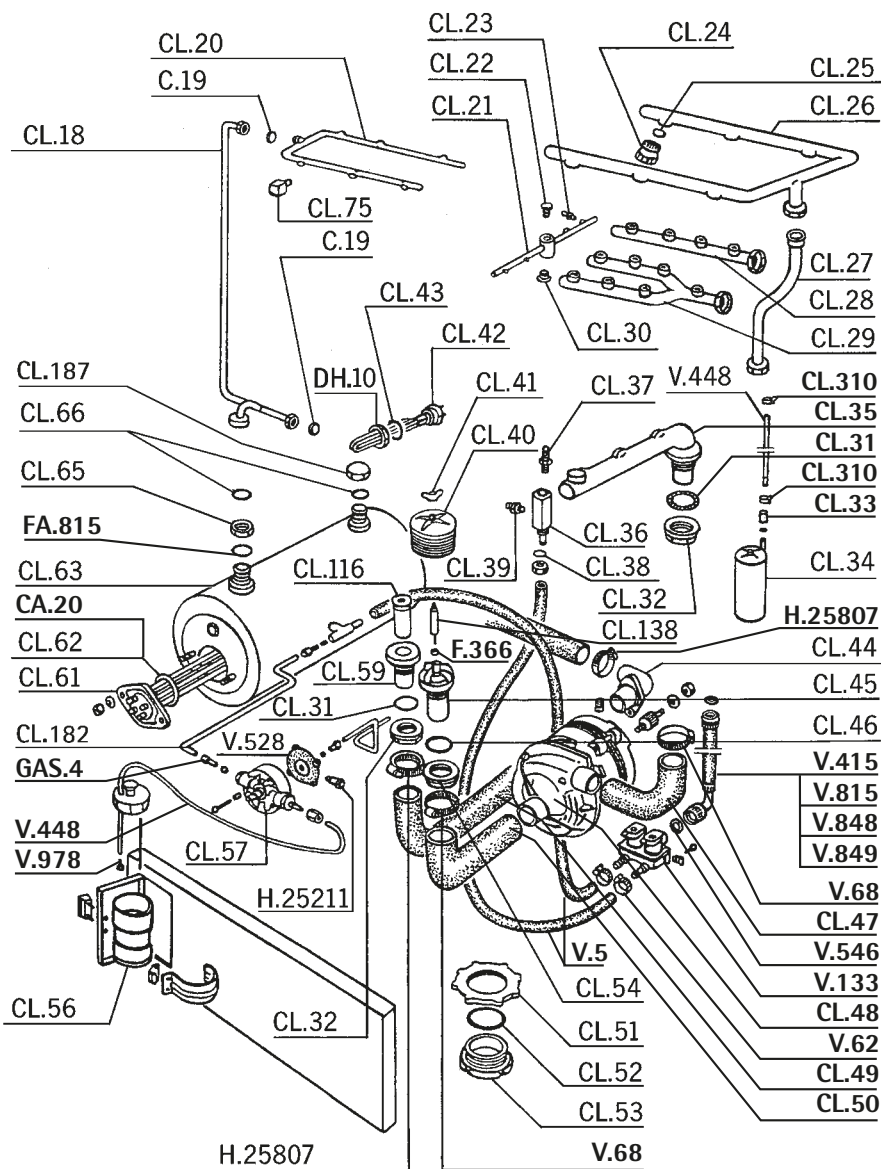
CL.62 (TORICA/O-RING)
CA.20 (ALIMENTARIA/ALIMENTARY)

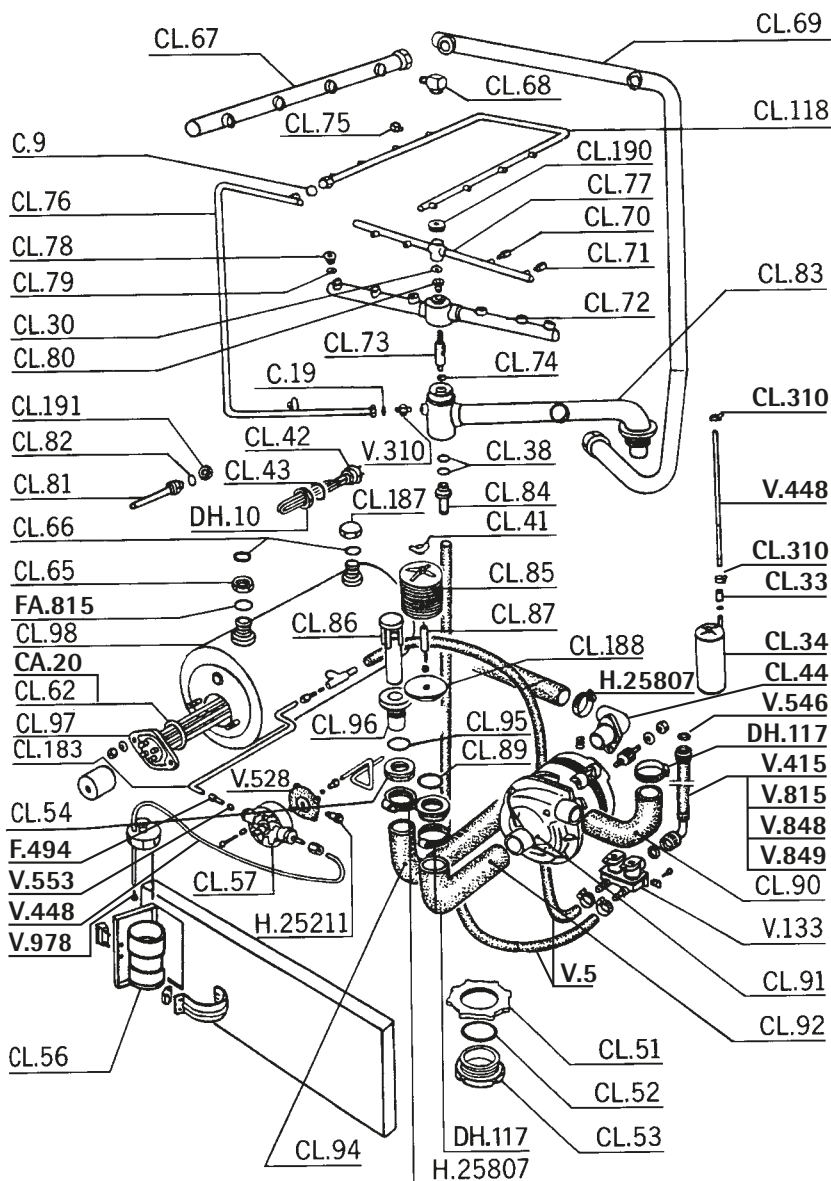


REF.	DESCRIPCIÓN	DESCRIPTION
CL...1	BOTONERA 2 PULSADORES	2 PUSH BUTTON D.DEVICE
CL...2	BOTONERA 3 PULSADORES	3 PUSH BUTTON D.DEVICE
CL...3	PROGRAMADOR 3MIC.120S EJE	3MICRO 120S ROD TIMER
CL...4	PROGRAMADOR 3MIC.120S EJE	3TO.120S ROD TIMER
CL...5	TERMOSTATO 85°	85° THERMOSTAT
CL...8	PRESOSTATO SAL/HOR.60/25	60/25 HORZ. PRESS.SWITCH
CL...9	CIERRE PUERTA	CLOSING DOOR
CL...10	PATA MAQUINA	MACHINE FOOT
CL...11	EJE PUERTA	DOOR ROD
CL...13	MUELLE MICRO	MICROSWITCH SPRING
CL...14	EMPUJADOR MICRO	MICROSWITCH PUSH-ROD
CL...15	MICRO PARO 250V 16A	250V 16A MICROSWITCH
CL...16	FUNDA PILOTO LUMINOSO	WATERTIGHTNESS COVER
CL...17	MANDO PROGRAMADOR	TIMER HANDLE
CL...99	CONJUNTO PARO PUERTA	DOOR STOP WHOLE
CL.122	PILOTO BLANCO 230V	230V WHITE WARNING LAMP
CL.149	TERMOSTATO 55°	55° THERMOSTAT
CL.186	TUBO MICRO PUERTA	DOOR MICROSWITCH PIPE
H25433	PRESOSTATO SAL.HOR.35/8	35/8 HORZ.PRESS.SWITCH
LF.923	ANILLO SEEGER	SEEGER RING
V...55	CONDENSADOR 10 MF 220V	220V 10MF.CONDENSER
V...56	CONDENSADOR 12,5 MF 220V	12,5MF 220V CONDENSER



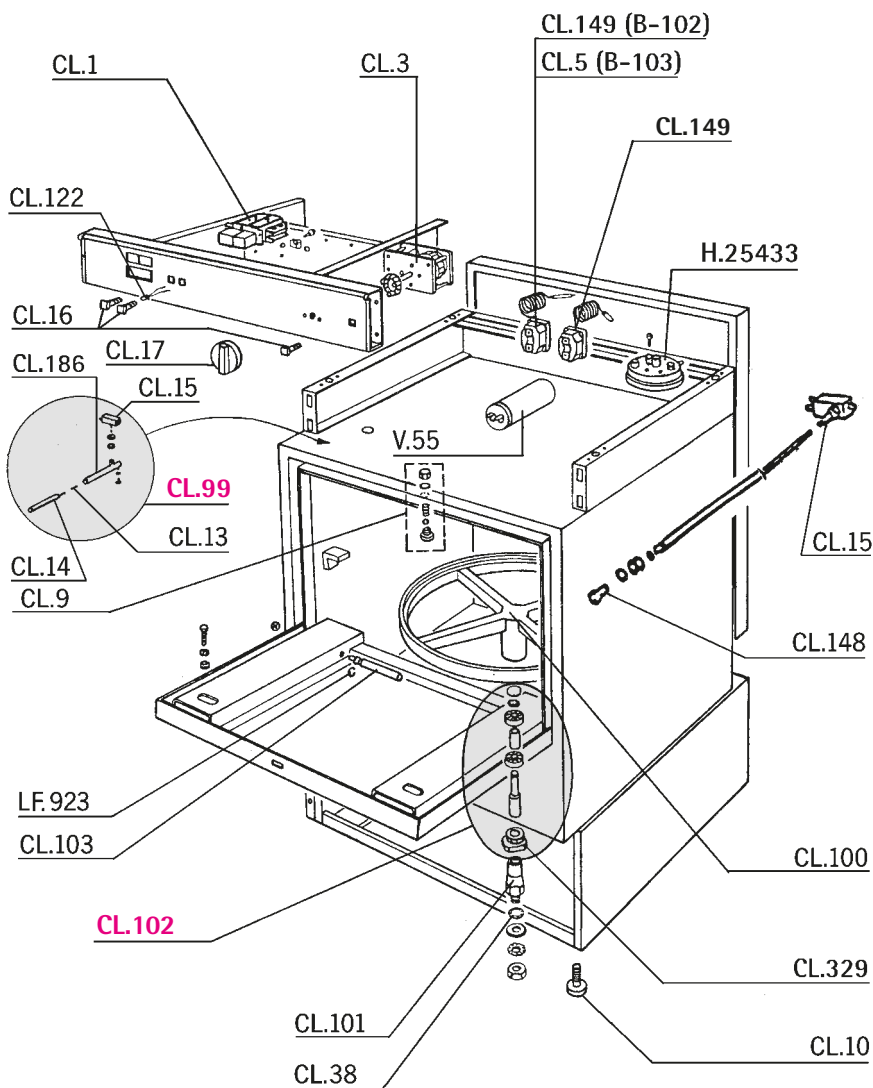
REF.	DESCRIPCIÓN	DESCRIPTION
C...19	JUNTA ALIMENTARIA	ALIMENTARY GASKET
CA.20	JUNTA ALIMENTARIA	ALIMENTARY GASKET
CL.18	TUBO EMPALME	UNION PIPE
CL.20	ASTA ACLARADO	RINSE ARM
CL.21	GIRATORIO ACLARADO	RINSE GYRATORY
CL.22	TORNILLO GIRATORIO	GYRATORY SCREW
CL.23	ROCIADOR ACLARADO	RINSE SPRAY
CL.24	TAPON LAVADO	WASHING CAP
CL.25	DEFLECTOR LAVADO	WASHING SWIRL
CL.26	ASTA LAVADO	WASHING ARM
CL.27	EMPALME ASTA LAVADO	WASHING ARM UNION
CL.28	TUBO LAVADO INFERIOR	LOWER WASHING PIPE
CL.29	TUBO LAVADO INFERIOR	LOWER WASHING PIPE
CL.30	CASQUILLO GIRATORIO	REVOLVING CAP
CL.31	TORICA COLECTOR	COLLECTOR RING
CL.32	TUERCA PLASTICO	PLASTIC NUT
CL.33	TUERCA CAMARA PRESOSTATIC	PRESSURE SWITCH CHAMBER NUT
CL.34	CAMARA PRESOSTATICA	PRESSURE SWITCH CHAMBER
CL.35	COLECTOR LAVADO	WASHING COLLECTOR
CL.36	PERNO BRAZO ACLARADO	RINSE ARM BOLT
CL.37	PERNO GIRATORIO	GYRATORY BOLT
CL.38	TORICA PERNO	BOLT RING
CL.39	RACOR ACLARADO	RINSE FITTING
CL.40	FILTRO CUBA	TANK FILTER
CL.41	TUERCA SUJECION FILTRO	FILTER NUT
CL.42	RESISTENCIA CUBA 2000W 230V	TANK RESISTANCE 2000W 230V
CL.43	JUNTA RESISTENCIA ALIMEN.	RESISTANCE ALIMEN.GASKET
CL.44	CODO DESAGÜE	DRAIN ELBOW
CL.45	RACOR ASPIRACION	SUCTION FITTING
CL.46	TORICA RACOR	FITTING RING
CL.47	MANGUITO ENVIO	OUTLET SLEEVE
CL.48	MOTOBOMBA 0.33 Hp	0.33HP WASHING PUMP
CL.49	MANGUITO DESAGÜE	DRAIN SLEEVE
CL.50	MANGUITO ASPIRACION	SUCTION SLEEVE
CL.51	TUERCA PLASTICO	RUBBER NUT
CL.52	TORICA TAPON VACIADO GOMA	INLET CAP RUBBER RING
CL.53	TAPON VACIADO	OUTLET CAP
CL.54	TUERCA PLASTICO RACOR	FITTING NUT
CL.56	DEPOSITO ABRILLANTADOR	RINSE AID CONTAINER
CL.57	DOSIFICADOR ABRILLANTADOR	RINSE AID DOSIMETER
CL.59	RACOR DESAGÜE	DRAIN FITTING
CL.61	RESISTENCIA CALDERIN 2400W230V	230V 2400W BOILER RESISTANCE
CL.62	JUNTA RESISTENCIA GOMA	RESISTANCE RUBBER GASKET
CL.63	CALDERIN B-100	B-100 BOILER
CL.65	TUERCA CALDERIN	BOILER NUT
CL.66	JUNTA CALDERIN GOMA	BOILER RUBBER GASKET
CL.75	BOQUILLA ACLARADO	RINSE STEM
CL.116	SOBRENIVEL	OVERFLOW
CL.138	PERNO FILTRO	FILTER BOLT
CL.182	TUBO ENTRADA DOSIFB-103	INLET DOSIMETER PIPE
CL.187	TAPON CALDERIN	BOILER CAP
CL.310	ABRAZADERA 8-12	8-12 CLAMP
DH.10	TUERCA CODO DESAGÜE	OUTLET ELBOW NUT
F.366	TUERCA INOX	INOX NUT
FA.815	TORICA	RING
GAS.4 R	ACOR CONEXION TUBO DE 6	CONNECTION FITTING
H25211	VALVULA ABRILLANTADOR	VALVE
H25807	ABRAZADERA 25-40	25-40 CLAMP
V...5	TUBO GOMA 10X16 20 ATM	20ATM 10X17 RUBBER PIPE
V...62	ABRAZADERA 12-20	12-20 CLAMP
V...68	ABRAZADERA 32-50	35-50 CLAMP
V.133	ELECTROVALV2 VIA LAV220V	WASH 2 WAYS 220V SOLENOID
V.415	TOMA LAVADORA 1,5M	QUALITY 1.5M.INLET W.FLEX
V.448	TUBO PRESOSTATO-METRO 4X6	4X6 PRE.SWITCH INLET PIPE
V.528	MEMBRANA SILICONA DOS.ABR	SILICONE MEMBRANE
V.546	JUNTA GOMA 3/4	WATER INLET RUBBER GASKET
V.815	TOMA LAVADORA 2 METROS	2 MT.INLET WATER FLEXIBLE
V.848	TOMA LAVADORA 1.5M INOX	INOX 1.5M INLET WATER FL.
V.849	TOMA LAV.INOX 2MT3/4X3/4	INOX 2MT.INLET WATER FLE.
V.978	FILTRO DOSIFICADOR	DOSIMETER FILTER





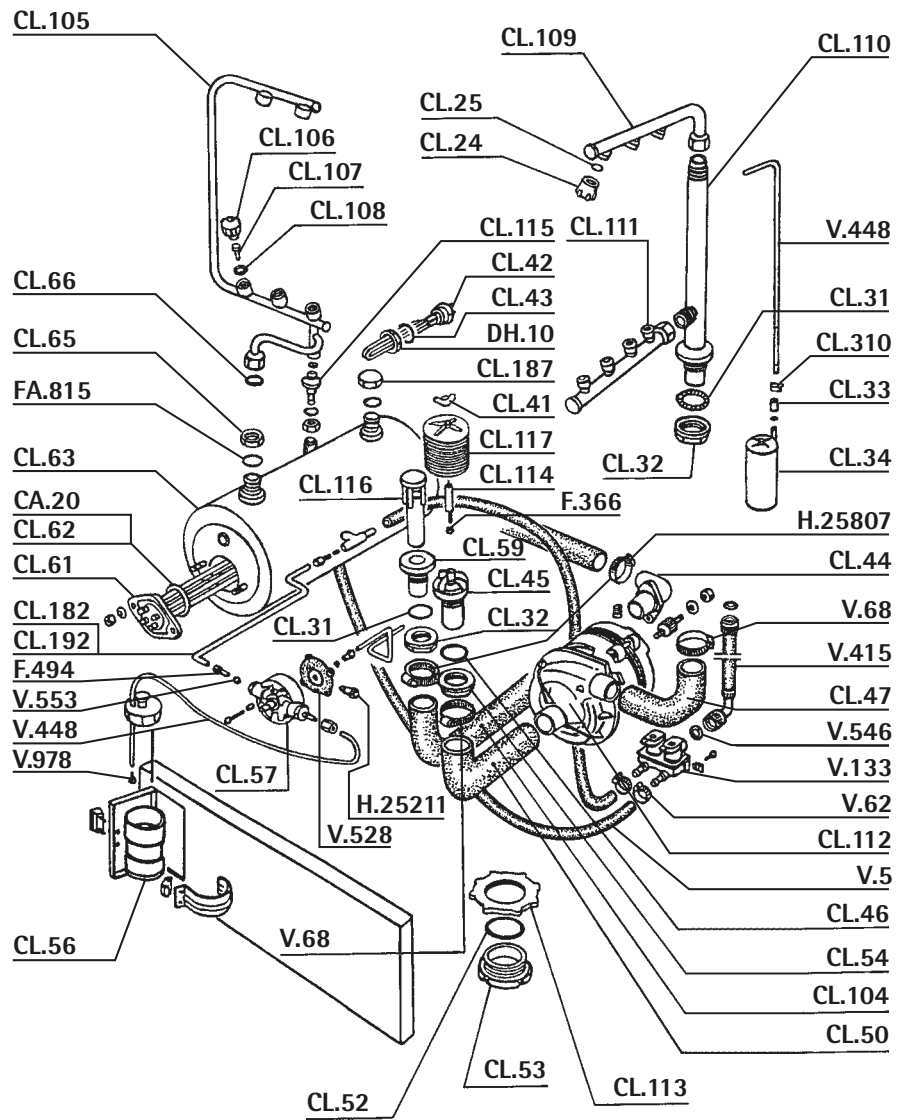
REF.	DESCRIPCIÓN	DESCRIPTION
C...9	JUNTA FIBRA	FIBRE GASKET
C...19	JUNTA ALIMENTARIA	ALIMENTARY GASKET
CL.20	JUNTA ALIMENTARIA	ALIMENTARY GASKET
CL.30	CASQUILLO GIRATORIO	REVOLVING CAP
CL.33	TUERCA CAMARA PRESOSTATICA	PRESSURE SWITCH CHAMBER NUT
CL.34	CAMARA PRESOSTATICA	PRESSURE SWITCH CHAMBER
CL.38	TORICA PERNO	BOLT RING
CL.41	TUERCA SUJECION FILTRO	FILTER NUT
CL.42	RESISTENCIA CUBA 2000W 230V	TANK RESISTANCE 2000W 230V
CL.43	JUNTA RESISTENCIA ALIMEN.	RESISTANCE ALIMEN.GASKET
CL.44	CODO DESAGÜE	DRAIN ELBOW
CL.51	TUERCA PLATICO	RUBBER NUT
CL.52	TORICA TAPON VACIADO GOMA	INLET CAP RUBBER RING
CL.53	TAPON VACIADO	OUTLET CAP
CL.54	TUERCA PLASTICO RACOR	FITTING NUT
CL.56	DEPOSITO ABRILLANTADOR	RINSE AID CONTAINER
CL.57	DOSIFICADOR ABRILLANTADOR	RINSE AID DOSIMETER
CL.62	JUNTA RESISTENCIA GOMA	RESISTANCE RUBBER GASKET
CL.65	TUERCA CALDERIN	BOILER NUT
CL.66	JUNTA CALDERIN GOMA	BOILER RUBBER GASKET
CL.67	COLECTOR LAVADO	WASHING COLLECTOR
CL.68	BOQUILLA LAVADO	WASHING STEM
CL.69	TUBO LAVADO	WASHING PIPE
CL.70	ROCIADOR ACLARADO	RINSE SPRAY
CL.71	ROCIADOR ACLARADO	RINSE SPRAY
CL.72	GIRATORIO LAVADO	WASHING GYRATORY
CL.73	PERNO GIRATORIO	GYRATORY BOLT
CL.74	ARANDELA INOX	INOX WASHER
CL.75	BOQUILLA ACLARADO	RINSE STEM
CL.76	COLECTOR ACLARADO	RINSE COLLECTOR
CL.77	GIRATORIO ACLARADO	RINSE GYRATORY
CL.78	BOQUILLA LAVADO	WASHING STEM
CL.79	DEFLECTOR LAVADO	WASHING SWIRL
CL.80	PERNO GUIA	GUIDE BOLT
CL.81	RACOR BULBO TERMOSTATO	THERMOSTAT FITTING
CL.82	TORICA GOMA	RUBBER RING
CL.83	COLECTOR LAVADO	WASHING COLLECTOR
CL.84	RACOR ENTRADA AGUA	INLET FITTING
CL.85	FILTRO BOMBA	PUMP FILTER
CL.86	SOBRENIVEL	OVERFLOW
CL.87	PERNO FILTRO	FILTER BOLT
CL.89	TORICA RACORD	FITTING RING
CL.90	MANGUITO ENVIO	OUTLET SLEEVE
CL.91	MOTOBOMBA 0.75 Hp	0.75HP WASHING PUMP
CL.92	MANGUITO ASPIRACION	SUCTION SLEEVE
CL.94	MANGUITO DESAGÜE	DRAIN SLEEVE
CL.95	TORICA GOMA BASE S.NIVEL	BASE OVERFLOW RUBBER RING
CL.96	RACOR DESAGÜE	DRAIN FITTING
CL.97	RESIST. CALDERIN 2800W 230V	BOILER RESISTANCE 2800W 230V
CL.98	CALDERIN B-300	B-300 BOILER
CL.118	ASTA ACLARADO	RINSE ARM
CL.183	TUBO ENTRADA DOSIFB-303	INLET DOSIMETER PIPE
CL.187	TAPON CALDERIN	BOILER CAP
CL.188	DISCO FILTRO	FILTER DISK
CL.190	TUERCA SUJECION	FIXING NUT
CL.191	TUERCA BULBO TERMOSTATO	BULB THERMOSTAT NUT
CL.310	ABRAZADERA 8-12	8-12 CLAMP
DH.10	TUERCA CODO DESAGÜE	OUTLET ELBOW NUT
DH.117	ABRAZADERA 46-70	46-70 CLAMP
F.494	BICONO 6mm.	6mm.BICONE
FA.815	TORICA GOMA EPDM	RUBBER RING
H25211	VALVULA ABRILLANTADOR	VALVE
H25807	ABRAZADERA 25-40	25-40 CLAMP
V...5	TUBO GOMA 10X16 20 ATM	20ATM 10X17 RUBBER PIPE
V.133	ELECTROVALV 2 VIA LAV.220V	WASH 2 WAYS 220V SOLENOID
V.310	RACOR 3/8m x 3/8m	3/8 x 3/8 FITTING
V.415	TOMA LAVADORA 1.5M	QUALITY 1.5M INLET W.FLEX
V.448	TUBO PRESOSTATO-METRO 4x6	4x6 PRE-SWITCH INLET PIPE
V.528	MEMBRANA SILICONA DOS.ABR	SILICONE MEMBRANE
V.546	JUNTA GOMA 3/4	WATER INLET RUBBER GASKET
V.553	TUERCA 1/8 BICONO DIAM 6	1/8 NUT
V.815	TOMA LAVADORA 2 METROS	2.MTINLET WATER FLEXIBLE
V.848	TOMA LAVADORA 1.5M INOX	INOX 1.5M INLET WATER FL.
V.849	TOMA LAV.INOX 2MT.3/4X3/4	INOX 2MTINLET WATER FLE.
V.978	FILTRO DOSIFICADOR	DOSIMETER FILTER

Carrocería B-103 / B-102-CR ■ B-103 / B-102-CR Bodywork

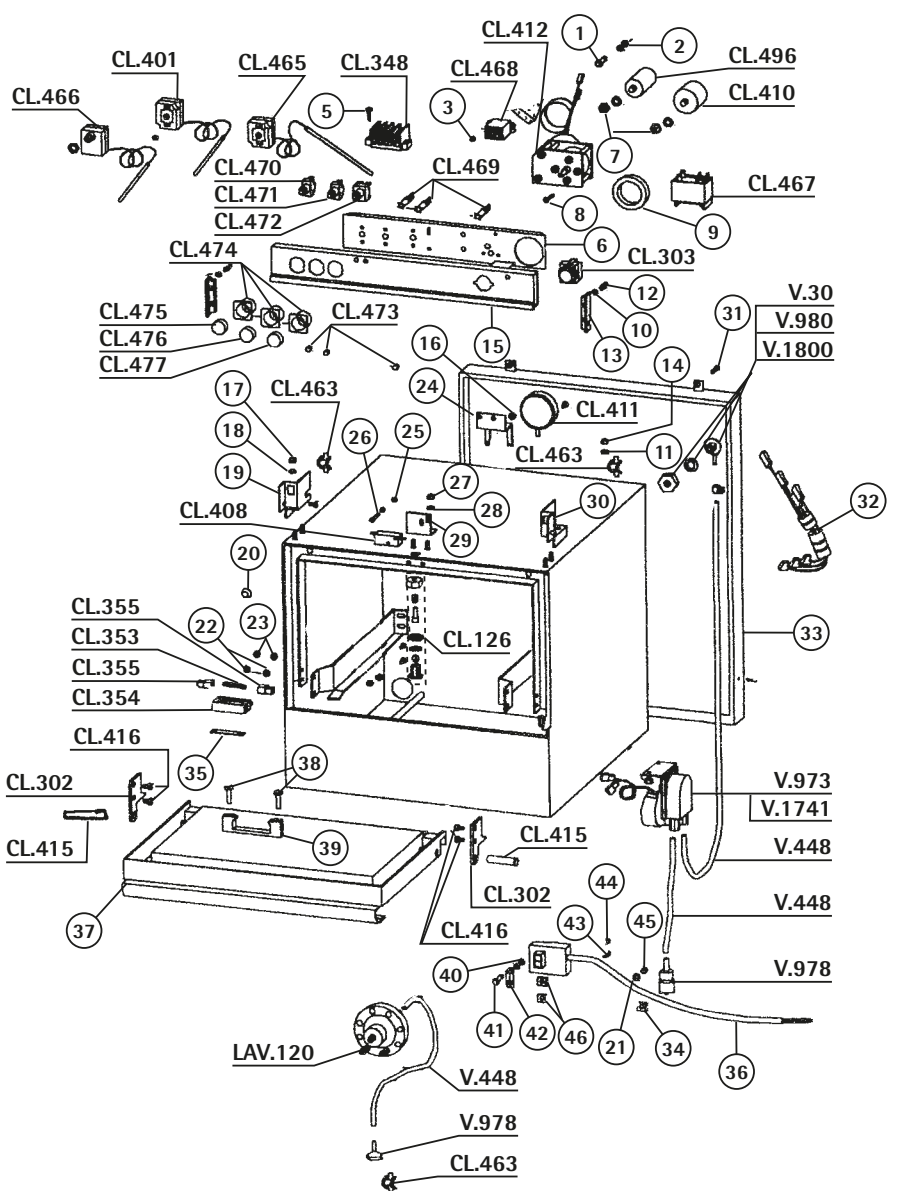


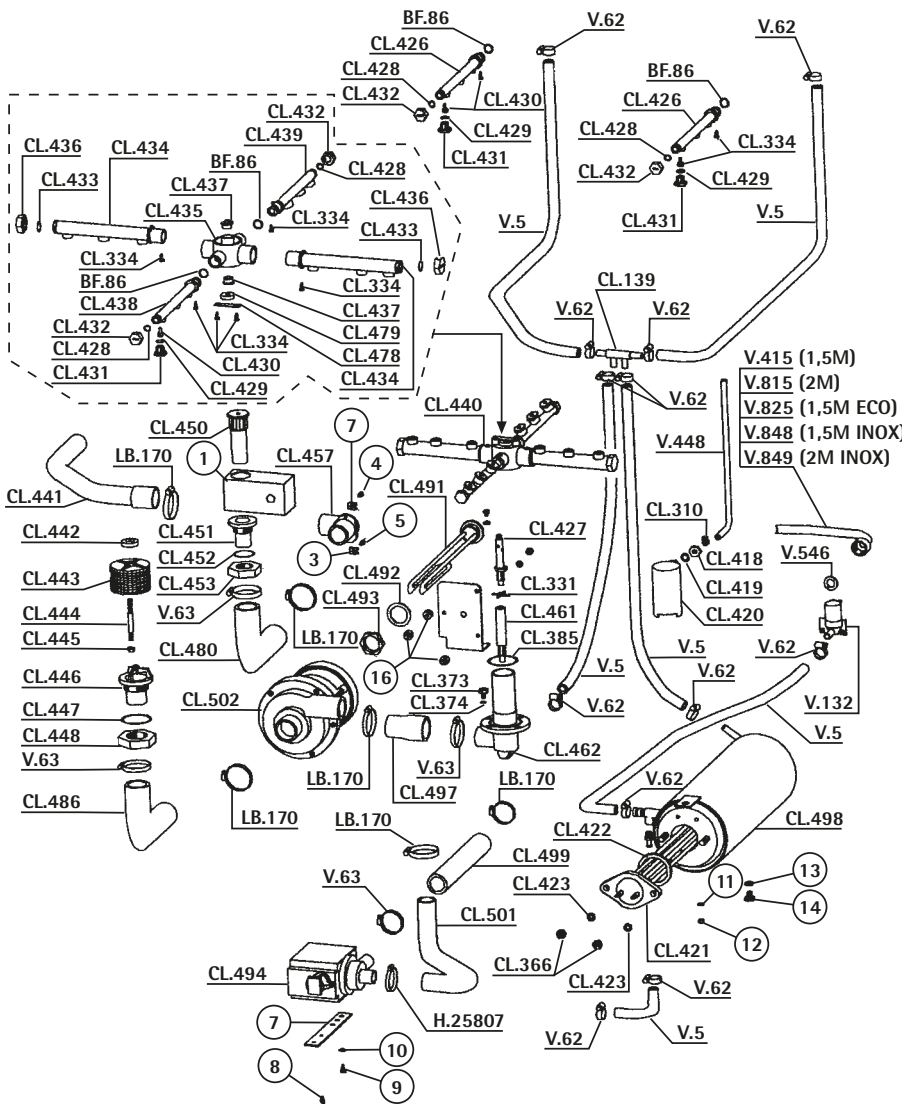
REF.	DESCRIPCIÓN	DESCRIPTION
CL...1	BOTONERA 2 PULSADORES	2 PUSH BUTTON D.DEVICE
CL...3	PROGRAMADOR 3MIC.120S EJE	3MICRO 120S ROD TIMER
CL...5	TERMOSTATO 85°	85° THERMOSTAT
CL...9	CIERRE PUERTA	CLOSING DOOR
CL..10	PATA MAQUINA	MACHINE FOOT
CL..13	MUELLE MICRO	MICROSWITCH SPRING
CL..14	EMPUJADOR MICRO	MICROSWITCH PUSH-ROD
CL..15	MICRO PARO 250V 16A	250V 16A MICROSWITCH
CL..16	FUNDA PILOTO LUMINOSO	WATERTIGHTNESS COVER
CL..17	MANDO PROGRAMADOR	TIMER HANDLE
CL..38	TORICA PERNO	BOLT RING
CL..99	CONJUNTO PARO PUERTA	DOOR STOP WHOLE
CL.100	VOLANTE 29CM	29CM ROTATING PLATE
CL.101	SOPORTE VOLANTE	ROTATING PLATE SUPPORT
CL.102	EJE VOLANTE	ROTATING PLATE ROD
CL.103	EJE PUERTA INOX	INOX DOOR ROD
CL.122	PILOTO BLANCO 230V	230V WHITE WARNING LAMP
CL.148	PULSADOR MICRO	MICROSWITCH PUSH-BUTTON
CL.149	TERMOSTATO 55°	55° THERMOSTAT
CL.186	TUBO MICRO PUERTA	DOOR MICROSWITCH PIPE
CL.329	TUERCA VOLANTE	NUT ROTATING PLATE
H25433	PRESOSTATO SAL.HOR.35/8	35/8 HORZ.PRESS.SWITCH
LF.923	ANILLO SEEGER	SEEGER RING
V...55	CONDENSADOR 10 MF 220V	220V 10MF.CONDENSER

REF.	DESCRIPCIÓN	DESCRIPTION
CA..20	JUNTA ALIMENTARIA	ALIMENTARY GASKET
CL..24	TAPON LAVADO	WASHING CAP
CL..25	DEFLECTOR LAVADO	WASHING SWIRL
CL..31	TORICA COLECTOR	COLLECTOR RING
CL..32	TUERCA PLASTICO	PLASTIC NUT
CL..33	TUERCA CAMARA PRESOSTATIC	PRESSURE SWITCH CHAMBER NUT
CL..34	CAMARA PRESOSTATICA	PRESSURE SWITCH CHAMBER
CL..41	TUERCA SUJECION FILTRO	FILTER NUT
CL..42	RESISTENCIA CUBA 2000W 230V	TANK RESISTANCE 2000W 230V
CL..43	JUNTA RESISTENCIA ALIMEN.	RESISTANCE ALIMEN.GASKET
CL..44	CODO DESAGÜE	DRAIN ELBOW
CL..45	RACOR ASPIRACION	SUCTION FITTING
CL..46	TORICA RACOR	FITTING RING
CL..47	MANGUITO ENVIO	OUTLET SLEEVE
CL..50	MANGUITO ASPIRACION	SUCTION SLEEVE
CL..52	TORICA TAPON VACIADO GOMA	INLET CAP RUBBER RING
CL..53	TAPON VACIADO	OUTLET CAP
CL..54	TUERCA PLASTICO RACOR	FITTING NUT
CL..56	DEPOSITO ABRILLANTADOR	RINSE AID CONTAINER
CL..57	DOSIFICADOR ABRILLANTADOR	RINSE AID DOSIMETER
CL..59	RACOR DESAGÜE	DRAIN FITTING
CL..61	RESISTENCIA CALDERIN 2400W230V	230V 2400W BOILER RESISTANCE
CL..62	JUNTA RESISTENCIA GOMA	RESISTANCE RUBBER GASKET
CL..63	CALDERIN B-100	B-100 BOILER
CL..65	TUERCA CALDERIN	BOILER NUT
CL..66	JUNTA CALDERIN GOMA	BOILER RUBBER GASKET
CL..104	MANGUITO DESAGÜE	DRAIN SLEEVE
CL..105	ASTA ACLARADO	RINSE ARM
CL..106	RACOR ACLARADO	RINSE FITTING
CL..107	DEFLECTOR ACLARADO	CLEAR SWIRL
CL..108	JUNTA TAPON GOMA	CAP RUBBER GASKET
CL..109	BRAZO LAVADO SUPERIOR	UPPER WASHING ARM
CL..110	TUBO LAVADO	WASHING PIPE
CL..111	BRAZO LAVADO INFERIOR	LOWER WASHING ARM
CL..112	MOTOBOMBA 0.25 Hp	0.25HP WASHING PUMP
CL..113	TAPON DE CIERRE	CLOSING CAP
CL..114	PERNO FILTRO	FILTER BOLT
CL..115	RACOR ASTA	ARM FITTING
CL..116	SOBRENIVEL	OVERFLOW
CL..117	FILTRO CUBA	TANK FILTER
CL..182	TUBO ENTRADA DOSIFB-103	INLET DOSIMETER PIPE
CL..187	TAPON CALDERIN	BOILER CAP
CL..192	TUBO ENTRADA DOSIFB-102	INLET DOSIMETER PIPE
CL..310	ABRAZADERA 8-12	8-12 CLAMP
DH..10	TUERCA CODO DESAGÜE	OUTLET ELBOW NUT
F..366	TUERCA INOX	INOX NUT
F..494	BICONO 6mm.	6mm.BICONE
FA..815	TORICA GOMA EPDM	RUBBER RING
H25211	VALVULA ABRILLANTADOR	VALVE
H25807	ABRAZADERA 25-40	25-40 CLAMP
V...5	TUBO GOMA 10X16 20 ATM	20ATM 10X17 RUBBER PIPE
V..62	ABRAZADERA 12-20	12-20 CLAMP
V..68	ABRAZADERA 32-50	35-50 CLAMP
V..133	ELECTROVAL.2 VIA LAV.220V	WASH 2 WAYS 220V SOLENOID
V..415	TOMA LAVADORA 1.5M	QUALITY 1.5M.INLET W.FLEX
V..448	TUBO PRESOSTATO-METRO 4X6	4X6 PRE.SWITCH INLET PIPE
V..528	MEMBRANA SILICONA DOS.ABR	SILICONE MEMBRANE
V..546	JUNTA GOMA 3/4	WATER INLET RUBBER GASKET
V..553	TUERCA 1/8 BICONO DIAM 6	1/8 6MM.NUT
V..978	FILTRO DOSIFICADOR	DOSIMETER FILTER



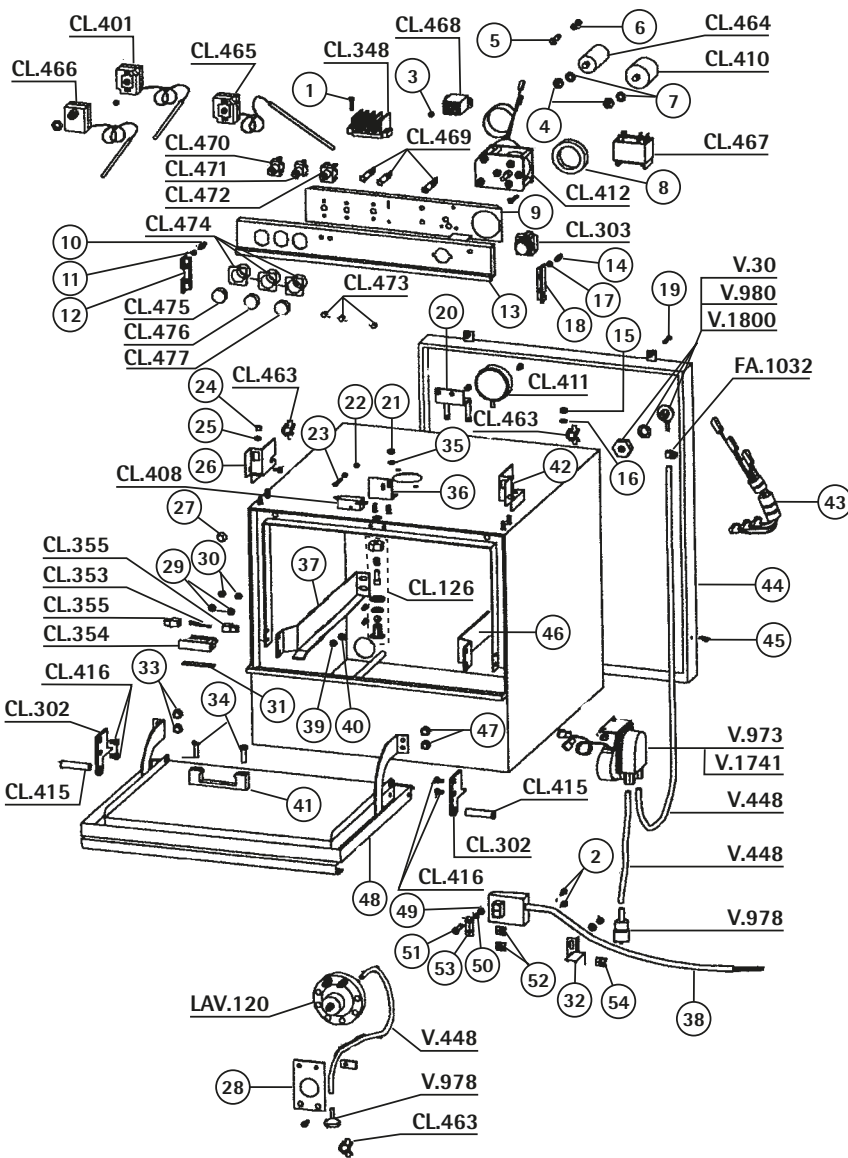
REF.	DESCRIPCIÓN	DESCRIPTION
CL.126	CIERRE PUERTA	CLOSING DOOR
CL.302	SOPORTE PUERTA	DOOR SUPPORT
CL.303	PULSADOR	PUSH BUTTON
CL.348	CONECTOR	CONNECTOR
CL.353	MUELLE	SPRING
CL.354	CUERPO SOPORTE	SUPPORT BODY
CL.355	SOPORTE GUIA PUERTA	DOOR GUIDE SUPPORT
CL.401	TERMOSTATO	THERMOSTAT
CL.408	MICROINTERRUPTOR	MICROSWITCH
CL.410	FILTRO ANTIPARASITARIO	INTERFERENCE FILTER
CL.411	PRESOSTATO	PRESSURE SWITCH
CL.412	PROGRAMADOR	TIMER
CL.415	PERNO	BOLT
CL.416	TORNILLO	SCREW
CL.463	TERMOSTATO	THERMOSTAT
CL.465	TERMOSTATO	THERMOSTAT
CL.466	TERMOSTATO	THERMOSTAT
CL.467	CONTACTOR	CONTACTOR
CL.468	RELE	RELAY
CL.469	PILOTO	LAMP
CL.470	INTERRUPTOR	SWITCH
CL.471	INTERRUPTOR	SWITCH
CL.472	INTERRUPTOR	SWITCH
CL.473	TAPON PILOTO	PILOT COVER
CL.474	SOPORTE INTERRUPTOR	SWITCH SUPPORT
CL.475	BOTON INTERRUPTOR	SWITCH BUTTON
CL.476	BOTON INTERRUPTOR	SWITCH BUTTON
CL.477	BOTON INTERRUPTOR	SWITCH BUTTON
CL.496	CONDENSADOR	CONDENSER
LAV120	DOSIFICADOR ABRILLANTADOR	RINSE AID DOSIMETER
V..30	RACOR ENTRADA JABON	INLET SOAP FITTING
V..448	TUBO PRESOSTATO-METRO 4X6	4X6 PRE.SWITCH INLET PIPE
V..973	DOSIFICADOR PERISTALTICO INTER	INTERNAL PERISTALTIC DOS.
V..978	FILTRO DOSIFICADOR	DOSIMETER FILTER
V..980	RACOR ENTRADA JABON LARGO	LONG INLET FITTING
V.1741	DOSIF.ABRILL.INTERNO 230V AC	230Vac INTERNAL RINSE DOSIMET
V.1800	RACOR ENTRADA JABON METALICO	METALIC DETER.INLET FITTING





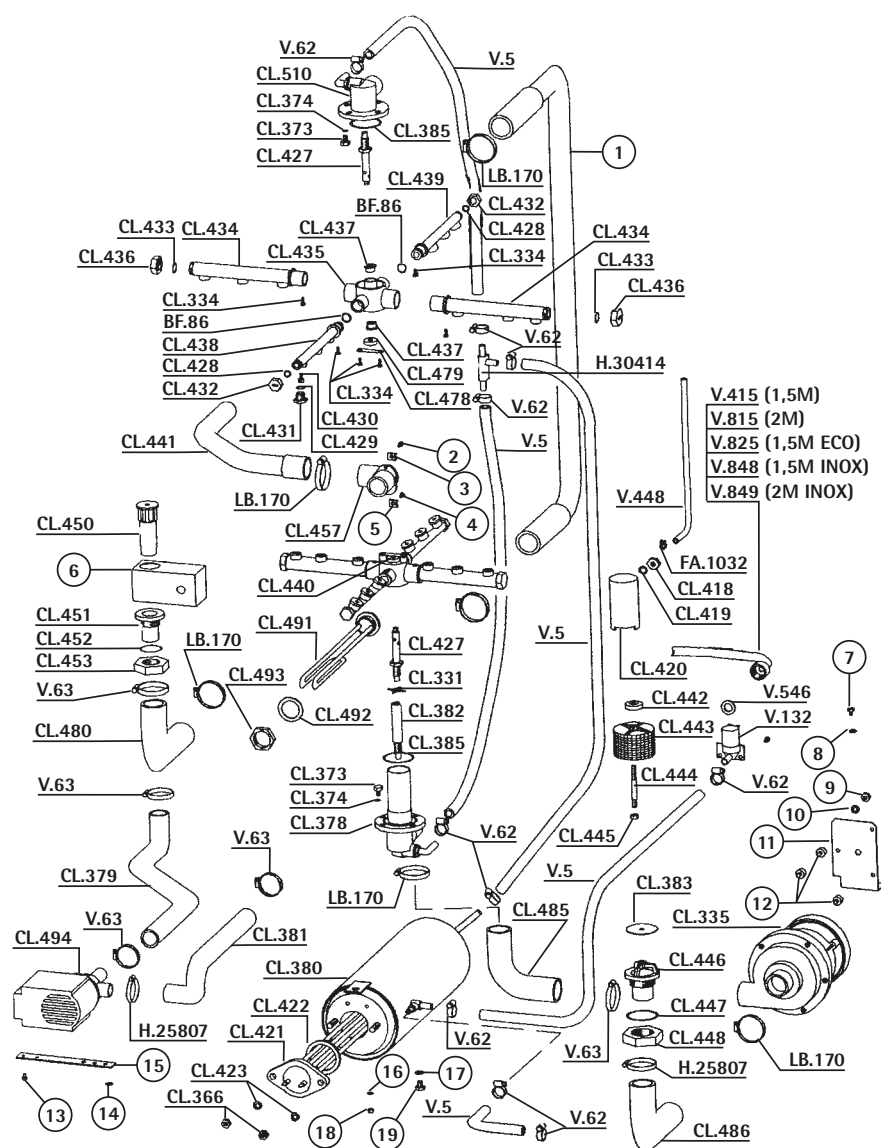
REF.	DESCRIPCIÓN	DESCRIPTION
BF.86	TORICA GOMA	RUBBER RING
CL.139	"T" EMPALME	UNION
CL.310	ABRAZADERA 8-12	8-12 CLAMP
CL.331	ESTRELLA PERNO	BOLT STAR
CL.334	TORNILLO INOX	SCREW
CL.366	TUERCA	NUT
CL.373	TORNILLO	SCREW
CL.374	ARANDELA	WASHER
CL.385	JUNTA COLECTOR	COLLECTOR GASKET
CL.418	TUERCA	NUT
CL.419	JUNTA	GASKET
CL.420	CAMARA PRESOSTATICA	PRESSURE SWITCH
CL.421	RESISTENCIA	RESISTANCE
CL.422	JUNTA	GASKET
CL.423	ARANDELA	WASHER
CL.426	TUBO ACLARADO	RINSE PIPE
CL.427	EJE GIRATORIO	GIRATORY ROD
CL.428	JUNTA	GASKET
CL.429	JUNTA	GASKET
CL.430	ROMPECHORROS	SPRAY
CL.431	TAPON ROCIADOR	TAPON ROCIADOR
CL.432	TAPON	COVER
CL.433	JUNTA	GASKET
CL.434	BRAZO GIRATORIO	GIRATORY ARM
CL.435	CRUZ GIRATORIO	GIRATORY CROSSHEAD
CL.436	TAPON GIRATORIO	GIRATORY COVER
CL.437	CASQUILLO	CAP
CL.438	BRAZO GIRATORIO	GIRATORY ARM
CL.439	BRAZO GIRATORIO	GIRATORY ARM
CL.440	GIRATORIO COMPLETO	COMPLET GIRATORY
CL.441	MANGUITO	SLEEVE
CL.442	TUERCA FILTRO	FILTER NUT
CL.443	FILTRO	FILTER
CL.444	EJE FILTRO	FILTER ROD
CL.445	ARANDELA	WASHER
CL.446	RACOR DESAGÜE	DRAIN FITTING
CL.447	JUNTA DESAGÜE	DRAIN GASKET
CL.448	TUERCA DESAGÜE	DRAIN NUT
CL.450	REBOSADERO	OVERFLOW
CL.451	RACOR DESAGÜE	DRAIN FITTING
CL.452	JUNTA DESAGÜE	DRAIN GASKET
CL.453	TUERCA DESAGÜE	DRAIN NUT
CL.457	CODO	ELBOW
CL.461	EJE	ROD
CL.462	COLECTOR INFERIOR	LOWER COLECTOR
CL.478	PLACA	PLATE
CL.479	TUERCA	NUT
CL.480	CODO	ELBOW
CL.486	MANGUITO	SLEEVE
CL.491	RESISTENCIA CF40	CF40 RESISTANCE
CL.492	JUNTA	GASKET
CL.493	TUERCA	NUT
CL.494	BOMBA DESAGÜE	DRAIN PUMP
CL.497	MANGUITO	SLEEVE
CL.498	CALDERIN	BOILER
CL.499	MANGUITO	SLEEVE
CL.500	SERVIR CL.486	GO TO CL.486
CL.501	CODO	ELBOW
CL.502	MOTOR CF35	CF35 MOTOR
H25807	ABRAZADERA 25-40	25-40 CLAMP
LB.170	ABRAZADERA 40-60	40-60 CLAMP
V..5	TUBO GOMA 10X16 20 ATM	20ATM 10X17 RUBBER PIPE
V..62	ABRAZADERA 12-20	12-20 CLAMP
V..63	ABRAZADERA 20-32	20-35 CLAMP
V..132	ELECTROVALV.1 VIA LAV.220V	WASH 1 WAY 220V SOLENOID
V..415	TOMA LAVADORA 1,5M	QUALITY 1.5M.INLET W/FLEX
V..448	TUBO PRESOSTATO-METRO 4X6	4X6 PRE.SWITCH INLET PIPE
V..546	JUNTA GOMA 3/4	WATER INLET RUBBER GASKET
V..815	TOMA LAVADORA 2 METROS	2 MT.INLET WATER FLEXIBLE
V..825	TOMA LAVADORA 1.5 "ECO"	"ECO"1.5M INLET WA.FLEXIB
V..848	TOMA LAVADORA 1.5M INOX	INOX 1.5M INLET WATER FL.
V..849	TOMA LAVINOX 2MT.3/4X3/4	INOX 2MTINLET WATER FL.

Carrocería / Componentes eléctricos CF40 ■ CF40 Electric components / Bodywork

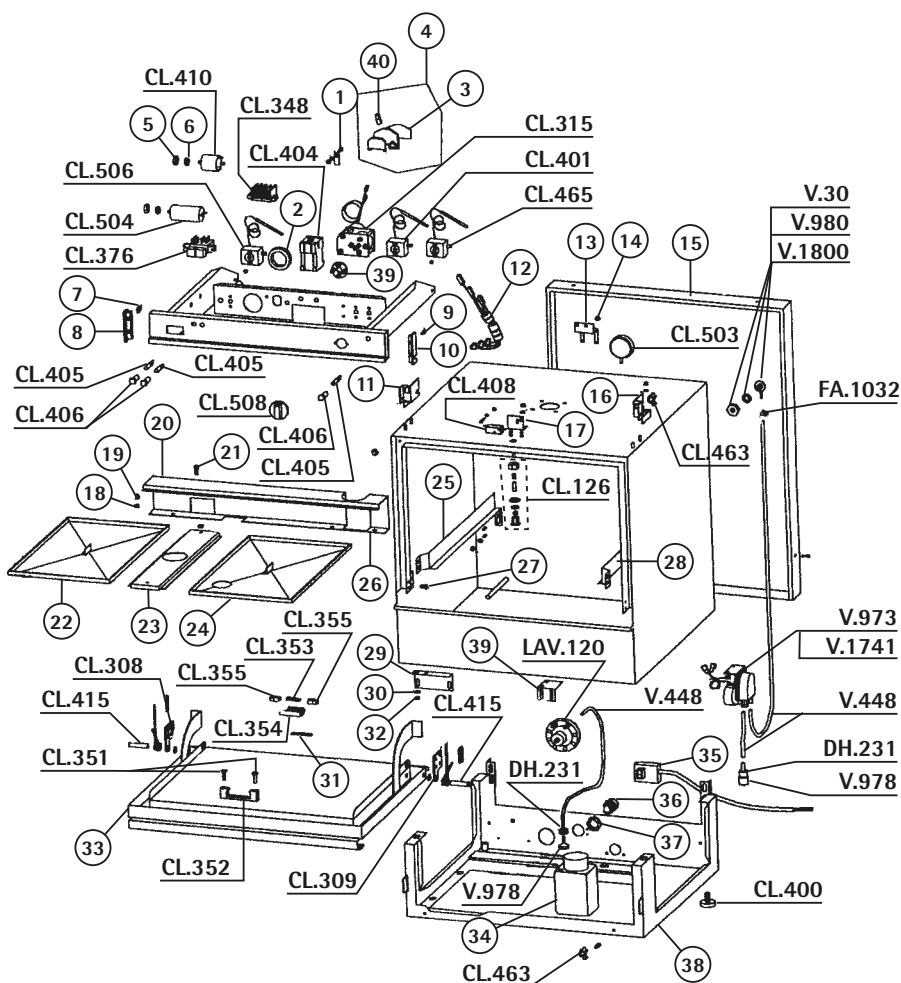


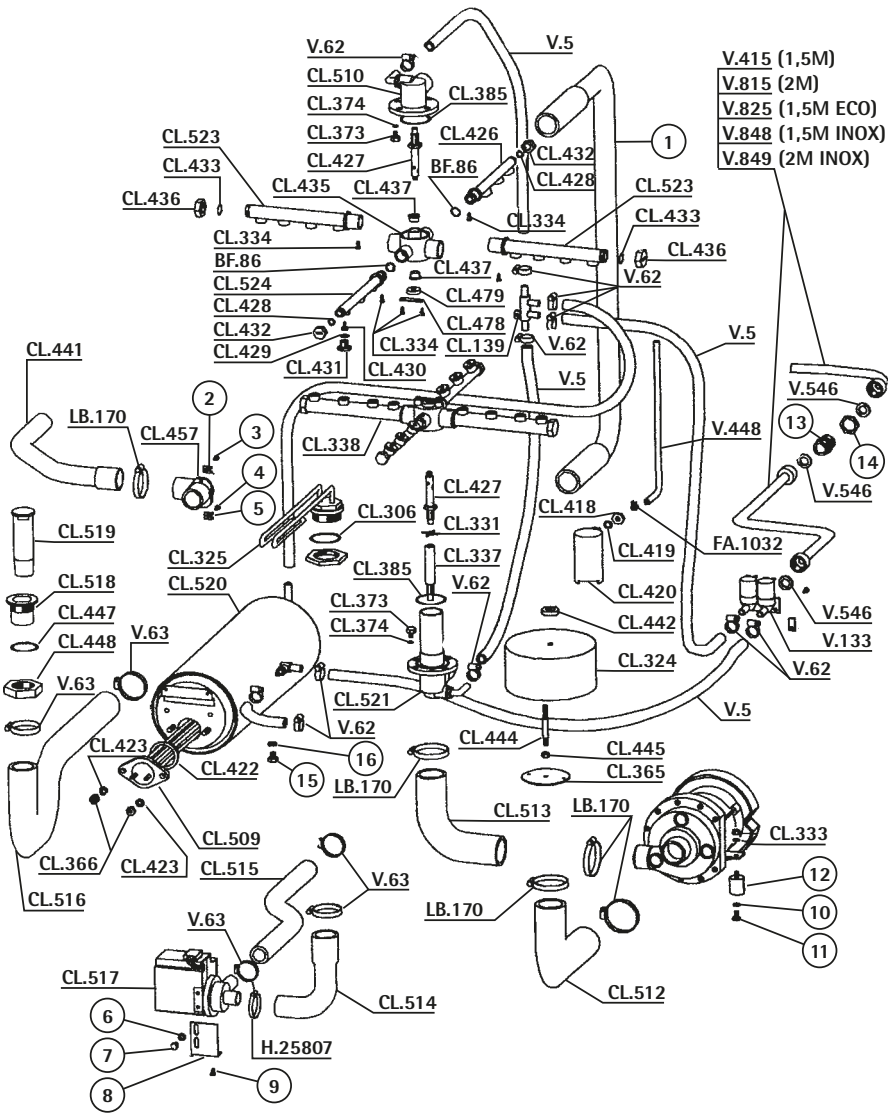
REF.	DESCRIPCIÓN	DESCRIPTION
CL.126	CIERRE PUERTA	CLOSING DOOR
CL.302	SOPORTE PUERTA	DOOR SUPPORT
CL.303	PULSADOR	PUSH BUTTON
CL.348	CONECTOR	CONNECTOR
CL.353	MUELLE	SPRING
CL.354	CUERPO SOPORTE	SUPPORT BODY
CL.355	SOPORTE GUIA PUERTA	DOOR GUIDE SUPPORT
CL.401	TERMOSTATO	THERMOSTAT
CL.408	MICROINTERRUPTOR	MICROSWITCH
CL.410	FILTRO ANTIPARASITARIO	INTERFERENCE FILTER
CL.411	PRESOSTATO	PRESSURE SWITCH
CL.412	PROGRAMADOR	TIMER
CL.415	PERNO	BOLT
CL.416	TORNILLO	SCREW
CL.463	TERMOSTATO	THERMOSTAT
CL.464	CONDENSADOR	CONDENSER
CL.465	TERMOSTATO	THERMOSTAT
CL.466	TERMOSTATO	THERMOSTAT
CL.467	CONTACTOR	CONTACTOR
CL.468	RELE	RELAY
CL.469	PILOTO	PILOT
CL.470	INTERRUPTOR	SWITCH
CL.471	INTERRUPTOR	SWITCH
CL.472	INTERRUPTOR	SWITCH
CL.473	TAPON PILOTO	PILOT COVER
CL.474	SOPORTE INTERRUPTOR	SWITCH SUPPORT
CL.475	BOTON INTERRUPTOR	SWITCH BUTTON
CL.476	BOTON INTERRUPTOR	SWITCH BUTTON
CL.477	BOTON INTERRUPTOR	SWITCH BUTTON
FA1032	BRIDA	CLASP
LAV120	DOSIFICADOR ABRILLANTADOR	RINSE AID DOSIMETER
V..30	RACOR ENTRADA JABON	INLET SOAP FITTING
V..448	TUBO PRESOSTATO-METRO 4X6	4X6 PRE.SWITCH INLET PIPE
V..973	DOSIFICADOR PERISTALTICO INTER	INTERNAL PERISTALTIC DOS.
V..978	FILTRO DOSIFICADOR	DOSIMETER FILTER
V..980	RACOR ENTRADA JABON LARGO	LONG INLET FITTING
V.1741	DOSIF.ABRILL.INTERNO 230V AC	230Vac INTERNAL RINSE DOSIMET
V.1800	RACOR ENTRADA JABON METALICO	METALIC DETER.INLET FITTING

REF.	DESCRIPCIÓN	DESCRIPTION
BF.86	TORICA GOMA	RUBBER RING
CL.331	ESTRELLA PERNO	BOLT STAR
CL.334	TORNILLO INOX	SCREW
CL.335	MOTOBOMBA	WASHING PUMP
CL.366	TUERCA	NUT
CL.373	TORNILLO	SCREW
CL.374	ARANDELA	WASHER
CL.378	COLECTOR INFERIOR	LOWER COLECTOR
CL.379	MANGUITO	SLEEVE
CL.380	CALDERIN DL240	DL240 BOILER
CL.381	MANGUITO	SLEEVE
CL.382	EJE GIRATORIO	GIRATORY ROD
CL.383	DISCO	DISK
CL.385	JUNTA COLECTOR	COLECTOR GASKET
CL.418	TUERCA	NUT
CL.419	JUNTA	GASKET
CL.420	CAMARA PRESOSTATICA	PRESSURE SWITCH
CL.421	RESISTENCIA	RESISTANCE
CL.422	JUNTA	GASKET
CL.423	ARANDELA	WASHER
CL.427	EJE GIRATORIO	GIRATORY ROD
CL.428	JUNTA	GASKET
CL.429	JUNTA	GASKET
CL.430	ROMPECHORROS	SPRAY
CL.431	TAPON ROCIADOR	COVER
CL.432	TAPON	GASKET
CL.433	JUNTA	GASKET
CL.434	BRAZO GIRATORIO	GIRATORY ARM
CL.435	CRUZ GIRATORIO	GIRATORY CROSSHEAD
CL.436	TAPON GIRATORIO	GIRATORY COVER
CL.437	CASQUILLO	CAP
CL.438	BRAZO GIRATORIO	GIRATORY ARM
CL.439	BRAZO GIRATORIO	GIRATORY ARM
CL.440	GIRATORIO COMPLETO	COMPLET GIRATORY
CL.441	MANGUITO	SLEEVE
CL.442	TUERCA FILTRO	FILTER NUT
CL.443	FILTRO	FILTER
CL.444	EJE FILTRO	FILTER ROD
CL.445	ARANDELA	WASHER
CL.446	RACOR DESAGÜE	DRAIN FITTING
CL.447	JUNTA DESAGÜE	DRAIN GASKET
CL.448	TUERCA DESAGÜE	DRAIN NUT
CL.450	REBOSADERO	OVERFLOW
CL.451	RACOR DESAGÜE	DRAIN FITTING
CL.452	JUNTA DESAGÜE	DRAIN GASKET
CL.453	TUERCA DESAGÜE	DRAIN NUT
CL.457	CODO	ELBOW
CL.478	PLACA	PLATE
CL.479	TUERCA	NUT
CL.480	CODO	ELBOW
CL.485	MANGUITO	SLEEVE
CL.486	MANGUITO	SLEEVE
CL.491	RESISTENCIA CF40	CF40 RESISTANCE
CL.492	JUNTA	GASKET
CL.493	TUERCA	NUT
CL.494	BOMBA DESAGÜE	DRAIN PUMP
CL.510	COLECTOR SUPERIOR	UPPER COLECTOR
FA1032	BRIDA	CLASP
H25807	ABRAZADERA 25-40	25-40 CLAMP
H30414	RACOR EMPALME	UNION FITTING
LB.170	ABRAZADERA 40-60	40-60 CLAMP
V..5	TUBO GOMA 10X16 20 ATM	20ATM 10X17 RUBBER PIPE
V..62	ABRAZADERA 12-20	12-20 CLAMP
V..63	ABRAZADERA 20-32	20-35 CLAMP
V.132	ELECTROVALV 1 VIA LAV220V	WASH 1 WAY 220V SOLENOID
V.415	TOMA LAVADORA 1,5M	QUALITY 1.5M INLET W.FLEX
V.448	TUBO PRESOSTATO-METRO 4X6	4X6 PRE.SWITCH INLET PIPE
V.546	JUNTA GOMA 3/4	WATER INLET RUBBER GASKET
V.815	TOMA LAVADORA 2 METROS	2 MTINLET WATER FLEXIBLE
V.825	TOMA LAVADORA 1.5 'ECO'	'ECO' 1.5M INLET WA.FLEXIB
V.848	TOMA LAVADORA 1.5M INOX	INOX 1.5M INLET WATER FL.
V.849	TOMA LAV.INOX 2MT3/4X3/4	INOX 2MTINLET WATER FL.



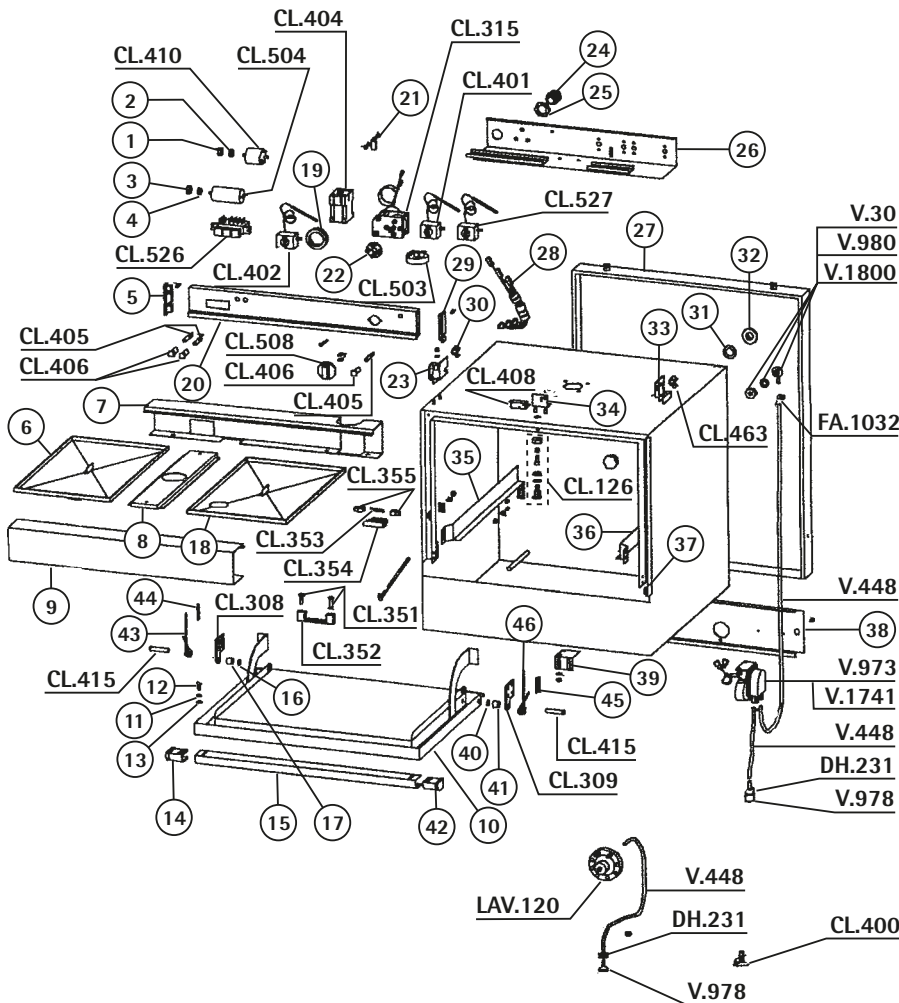
REF.	DESCRIPCIÓN	DESCRIPTION
CL.126	CIERRE PUERTA	CLOSING DOOR
CL.308	SOPORTE IZQUIERDO PUERTA	DOOR LEFT SUPPORT
CL.309	SOPORTE DERECHO PUERTA	DOOR RIGHT SUPPORT
CL.315	TEMPORIZAD.CF1000/DS1200	CF100/DS1200 TIMER
CL.348	CONECTOR	CONNECTOR
CL.351	TORNILLO GUIA PUERTA	DOOR GUIDE SCREW
CL.352	GANCHO PUERTA	DOOR HOOK
CL.353	MUELLE	SPRING
CL.354	CUERPO SOPORTE	SUPPORT BODY
CL.355	SOPORTE GUIA PUERTA	DOOR GUIDE SUPPORT
CL.376	INTERRUPTOR DOBLE	DOUBLE SWITCH
CL.400	PATA	FOOT
CL.401	TERMOSTATO	THERMOSTAT
CL.404	CONTACTOR	CONTACTOR
CL.405	PILOTO	PILOT
CL.406	CARCASA PILOTO	PILOT COVER
CL.408	MICROINTERRUPTOR	MICROSWITCH
CL.410	FILTRO ANTIPARASITARIO	INTERFERENCE FILTER
CL.415	PERNO	BOLT
CL.463	TERMOSTATO	THERMOSTAT
CL.465	TERMOSTATO	THERMOSTAT
CL.503	PRESOSTATO	PRESURE SWITCH
CL.504	CONDENSADOR	CONDENSER
CL.506	TERMOSTATO	THERMOSTAT
CL.508	MANDO	KNOB
DH.231	PESO FILTRO	FILTER FITTING
FA1032	BRIDA	CLASP
LAV120	DOSIFICADOR ABRILLANTADOR	RINSE AID DOSIMETER
V...30	RACOR ENTRADA JABON	INLET SOAP FITTING
V.448	TUBO PRESOSTATO-METRO 4X6	4X6 PRE.SWITCH INLET PIPE
V.973	DOSIFICADOR PERISTALTICO INTER	INTERNAL PERISTALTIC DOS.
V.978	FILTRO DOSIFICADOR	DOSIMETER FILTER
V.980	RACOR ENTRADA JABON LARGO	LONG INLET FITTING
V.1741	DOSIF.ABRILL.INTERNO 230V AC	230Vac INTERNAL RINSE DOSIMET
V.1800	RACOR ENTRADA JABON METALICO	METALIC DETER.INLET FITTING





REF.	DESCRIPCIÓN	DESCRIPTION
BF.86	TORICA GOMA	RUBBER RING
CL.139	"T" EMPALME	UNION
CL.306	JUNTA RESISTENCIA CUBA	TANK GASKET
CL.324	FILTRO	FILTER
CL.325	RESISTENCIA CUBA 2800W/230V	TANK RESISTANCE
CL.331	ESTRELLA PERNO	BOLT STAR
CL.333	MOTOBOMBA 0.75 HP	0.75 HP WASHING PUMP
CL.334	TORNILLO INOX	SCREW
CL.337	SOPORTE PERNO	BOLT SUPPORT
CL.338	BRAZO LAVADO-ACLARADO	WASH-RINSE ARM
CL.365	DISCO	DISK
CL.366	TUERCA	NUT
CL.373	TORNILLO	SCREW
CL.374	ARANDELA	WASHER
CL.385	JUNTA COLECTOR	COLLECTOR GASKET
CL.418	TUERCA	NUT
CL.419	JUNTA	GASKET
CL.420	CAMARA PRESOSTATICA	PRESSURE SWITCH
CL.422	JUNTA	GASKET
CL.423	ARANDELA	WASHER
CL.426	TUBO ACLARADO	RINSE PIPE
CL.427	EJE GIRATORIO	GIRATORY ROD
CL.428	JUNTA	GASKET
CL.429	JUNTA	GASKET
CL.430	ROMPECHORROS	SPRAY
CL.431	TAPON ROCIADOR	SPRAY COFFITING
CL.432	TAPON	COVER
CL.433	JUNTA	GASKET
CL.435	CRUZ GIRATORIO	GIRATORY CROSSHEAD
CL.436	TAPON GIRATORIO	GIRATORY COVER
CL.437	CASQUILLO	CAP
CL.441	MANGUITO	SLEEVE
CL.442	TUERCA FILTRO	FILTER NUT
CL.444	EJE FILTRO	FILTER ROD
CL.445	ARANDELA	WASHER
CL.447	JUNTA DESAGÜE	DRAIN GASKET
CL.448	TUERCA DESAGÜE	DRAIN NUT
CL.457	CODO	ELBOW
CL.478	PLACA	PLATE
CL.479	TUERCA	NUT
CL.509	RESISTENCIA CF50	CF50 RESISTANCE
CL.510	COLECTOR SUPERIOR	UPPER COLECTOR
CL.512	MANGUITO	SLEEVE
CL.513	MANGUITO	SLEEVE
CL.514	MANGUITO	SLEEVE
CL.515	MANGUITO	SLEEVE
CL.516	MANGUITO	SLEEVE
CL.517	BOMBA DESAGÜE	DRAIN PUMP
CL.518	RACOR DESAGÜE	DRAIN FITTING
CL.519	REBOSADERO	OVERFLOW
CL.520	CALDERIN CF50	CF50 BOILER
CL.521	COLECTOR INFERIOR	LOWER COLECTOR
CL.523	BRAZO GIRATORIO	GIRATORY ARM
CL.524	BRAZO GIRATORIO	GIRATORY ARM
CL.524	BRIDA	CLASP
FA.1032	BRIDA	CLASP
H25807	ABRAZADERA 25-40	25-40 CLAMP
LB.170	ABRAZADERA 40-60	40-60 CLAMP
V...5	TUBO GOMA 10X16 20 ATM	20ATM 10X16 RUBBER PIPE
V.62	ABRAZADERA 12-20	12-20 CLAMP
V.63	ABRAZADERA 20-32	20-35 CLAMP
V.133	ELECTROVALVULA 2 VIAS	2 WAYS SOLENOID
V.415	TOMA LAVADORA 1.5M	QUALITY 1.5M.INLET W.FLEX
V.448	TUBO PRESOSTATO-METRO 4X6	4X6 PRE.SWITCH INLET PIPE
V.546	JUNTA GOMA 3/4	WATER INLET RUBBER GASKET
V.815	TOMA LAVADORA 2 METROS	2 MT.INLET WATER FLEXIBLE
V.825	TOMA LAVADORA 1.5 "ECO"	"ECO"1.5M INLET WA.FLEXIB
V.848	TOMA LAVADORA 1.5M INOX	INOX 1.5M INLET WATER FL.
V.849	TOMA LAV.INOX 2MT.3/4X3/4	INOX 2MT.INLET WATER FLE.

Carrocería / Componentes eléctricos CF70 ■ CF70 Electric components / Bodywork

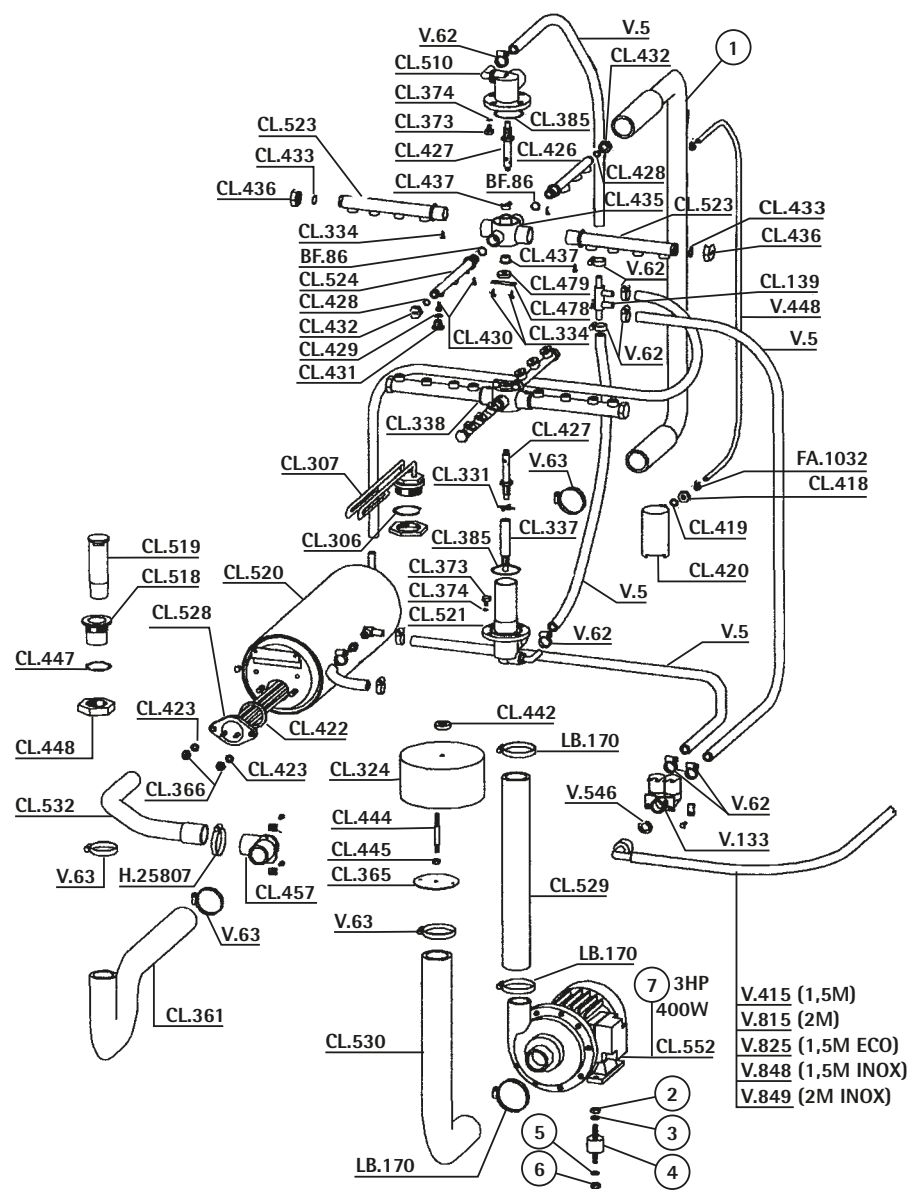


REF.	DESCRIPCIÓN	DESCRIPTION
CL.126	CIERRE PUERTA	CLOSING DOOR
CL.308	SOPORTE IZQUIERDO PUERTA	DOOR LEFT SUPPORT
CL.309	SOPORTE DERECHO PUERTA	DOOR RIGHT SUPPORT
CL.315	TEMPORIZAD.CF1000/DS1200	CF100/DS1200 TIMER
CL.351	TORNILLO GUIA PUERTA	DOOR GUIDE SCREW
CL.352	GANCHO PUERTA	DOOR HOOK
CL.353	MUELLE	SPRING
CL.354	CUERPO SOPORTE	SUPPORT BODY
CL.355	SOPORTE GUIA PUERTA	DOOR GUIDE SUPPORT
CL.400	PATA	FOOT
CL.401	TERMOSTATO	THERMOSTAT
CL.402	TERMOSTATO	THERMOSTAT
CL.404	CONTACTOR	CONTACTOR
CL.405	PILOTO	PILOT
CL.406	CARACA PILOTO	PILOT COVER
CL.408	MICROINTERRUPTOR	MICROSWITCH
CL.410	FILTRO ANTIPARASITARIO	INTERFERENCE FILTER
CL.415	PERNO	BOLT
CL.463	TERMOSTATO	THERMOSTAT
CL.503	PRESOSTATO	PRESURE SWITCH
CL.504	CONDENSADOR	CONDENSER
CL.508	MANDO	KNOB
CL.526	INTERRUPTOR	SWITCH
CL.527	TERMOSTATO	THERMOSTAT
DH.331	JUNTA BOMBA GOMA	PUMP RUBBER GASKET
FA.1032	BRIDA	CLAMP
LAV.120	DOSIFICADOR ABRILLANTADOR	RINSE AID DOSIMETER
V...30	RACOR ENTRADA JABON	INLET SOAP FITTING
V.448	TUBO PRESOSTATO-METRO 4X6	4X6 PRE.SWITCH INLET PIPE
V.973	DOSIFICADOR PERISTALTICO INTER	INTERNAL PERISTALTIC DOS.
V.978	FILTRO DOSIFICADOR	DOSIMETER FILTER
V.980	RACOR ENTRADA JABON LARGO	LONG INLET FITTING
V.1741	DOSIF.ABRILL.INTERNO 230V AC	230Vac INTERNAL RINSE DOSIMET
V.1800	RACOR ENTRADA JABON METALICO	METALIC DETER.INLET FITTING

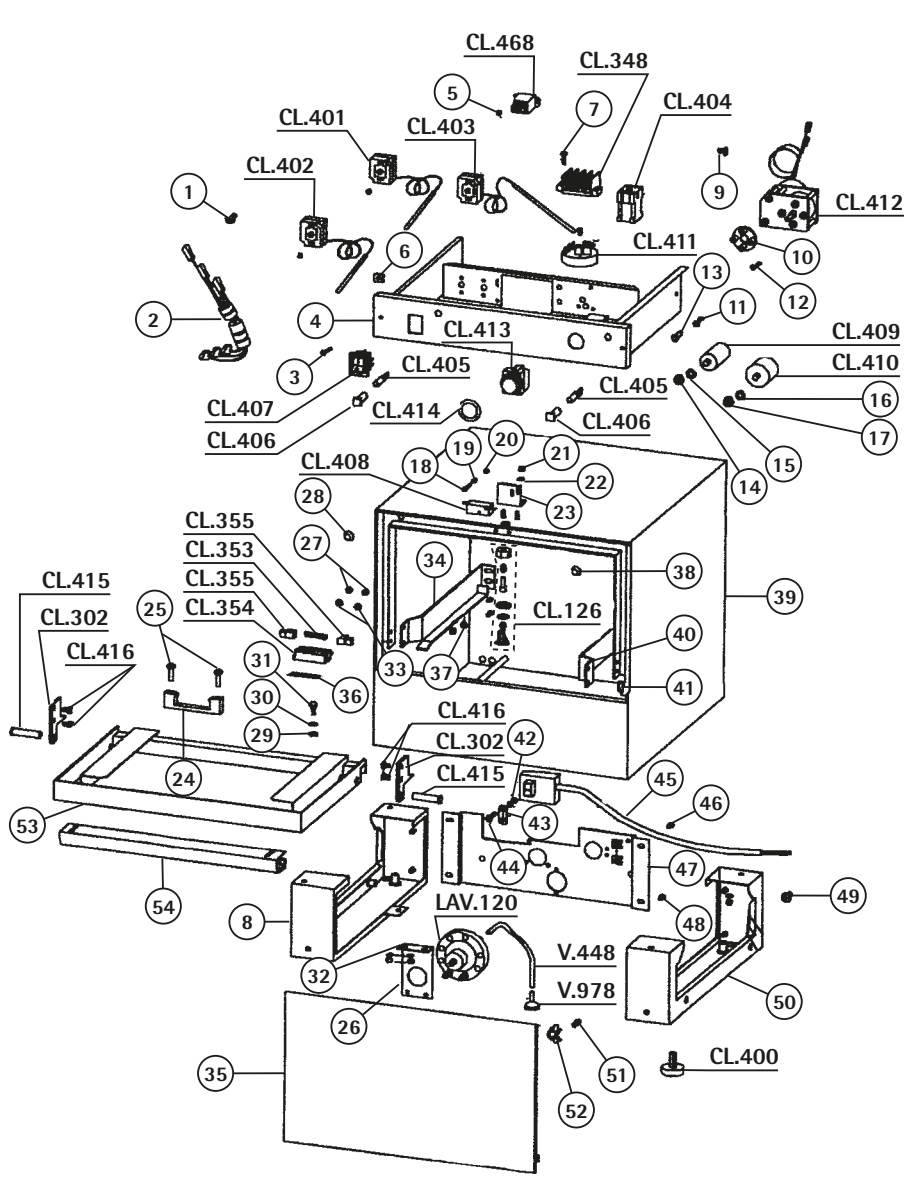
Buen trabajo.

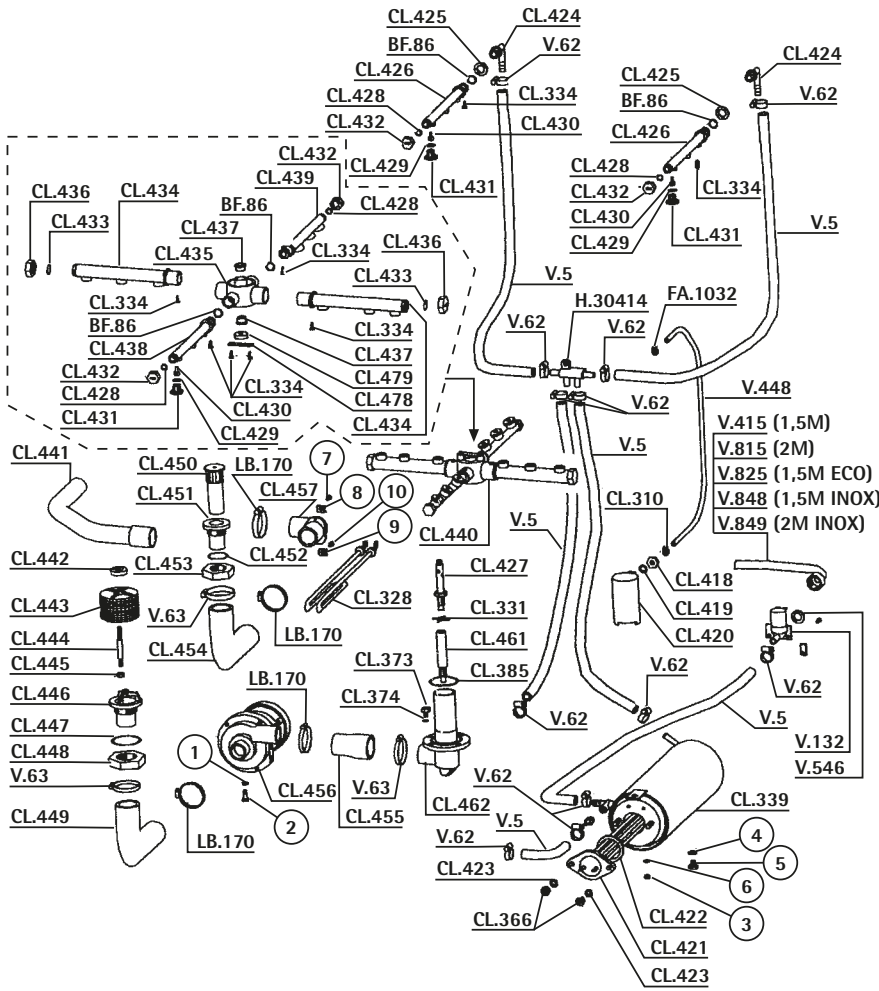


REF.	DESCRIPCIÓN	DESCRIPTION
BF.86	TORICA GOMA	RUBBER RING
CL.139	Tª EMPALME	UNION
CL.306	JUNTA RESISTENCIA CUBA	TANK GASKET
CL.307	RESISTENCIA 4000W 400V	4000W 400V TANK RESIST.
CL.324	FILTRO	FILTER
CL.331	ESTRELLA PERNO	BOLT START
CL.334	TORNILLO INOX	SCREW
CL.337	SOPORTE PERNO	BOLT SUPPORT
CL.338	BRAZO LAVADO-ACLARADO	WASH-RINSE ARM
CL.361	CODO	ELBOW
CL.365	DISCO	DISK
CL.366	TUERCA	NUT
CL.373	TORNILLO	SCREW
CL.374	ARANDELA	WASHER
CL.385	JUNTA COLECTOR	COLECTOR GASKET
CL.418	TUERCA	NUT
CL.419	JUNTA	GASKET
CL.420	CAMARA PRESOSTATICA	PRESSURE SWITCH
CL.422	JUNTA	GASKET
CL.423	ARANDELA	WASHER
CL.426	TUBO ACLARADO	RINSE PIPE
CL.427	EJE GIRATORIO	GIRATORY ROD
CL.428	JUNTA	GASKET
CL.429	JUNTA	GASKET
CL.430	ROMPECHORROS	SPRAY
CL.431	TAPON ROCIADOR	SPRAY COFFITING
CL.432	TAPON	COVER
CL.433	JUNTA	GASKET
CL.435	CRUZ GIRATORIO	GIRATORY CROSSHEAD
CL.436	TAPON GIRATORIO	GIRATORY COVER
CL.437	CASQUILLO	CAP
CL.442	TUERCA FILTRO	FILTER NUT
CL.444	EJE FILTRO	FILTER ROD
CL.445	ARANDELA	WASHER
CL.447	JUNTA DESAGÜE	DRAIN GASKET
CL.448	TUERCA DESAGÜE	DRAIN NUT
CL.457	CODO	ELBOW
CL.478	PLACA	PLATE
CL.479	TUERCA	NUT
CL.510	COLECTOR SUPERIOR	UPPER COLECTOR
CL.518	RACOR DESAGÜE	DRAIN FITTING
CL.519	REBOSADERO	OVERFLOW
CL.520	CALDERIN CF50	CF50 BOILER
CL.521	COLECTOR INFERIOR	LOWER COLECTOR
CL.523	BRAZO GIRATORIO	GIRATORY ARM
CL.524	BRAZO GIRATORIO	GIRATORY ARM
CL.528	RESISTENCIA CF70	CF70 RESISTANCE
CL.529	MANGUITO	SLEEVE
CL.530	MANGUITO	SLEEVE
CL.532	MANGUITO	SLEEVE
CL.552	MOTOR CF70 1HP 230V	1HP 230V CF70 MOTOR
FA1032	BRIDA	CLASP
H25807	ABRAZADERA 25-40	25-40 CLAMP
LB.170	ABRAZADERA 40-60	40-60 CLAMP
V...5	TUBO GOMA 10X16 20 ATM	20ATM 10X17 RUBBER PIPE
V...54	TUBO DESAGÜE ELISPIR 14x20	14x20 ELISPIR OUTLET PIPE
V...62	ABRAZADERA 12-20	12-20 CLAMP
V...63	ABRAZADERA 20-32	20-35 CLAMP
V.133	ELECTROVAL.2 VIA LAV.220V	WASH 2 WAYS 220V SOLENOID
V.415	TOMA LAVADORA 1.5M	QUALITY 1.5M INLET W.FLEX
V.448	TUBO PRESOSTATO-METRO 4X6	4X6 PRE SWITCH INLET PIPE
V.546	JUNTA GOMA 3/4	3/4 RUBBER GASKET
V.815	TOMA LAVADORA 2 METROS	2 MT.INLET WATER FLEXIBLE
V.825	TOMA LAVADORA 1.5 "ECO"	"ECO"1.5M INLET WA.FLEXIB
V.848	TOMA LAVADORA 1.5M INOX	INOX 1.5M INLET WATER FL.
V.849	TOMA LAV.INOX 2MT.3/4X3/4	INOX 2MT.INLET WATER FLE.



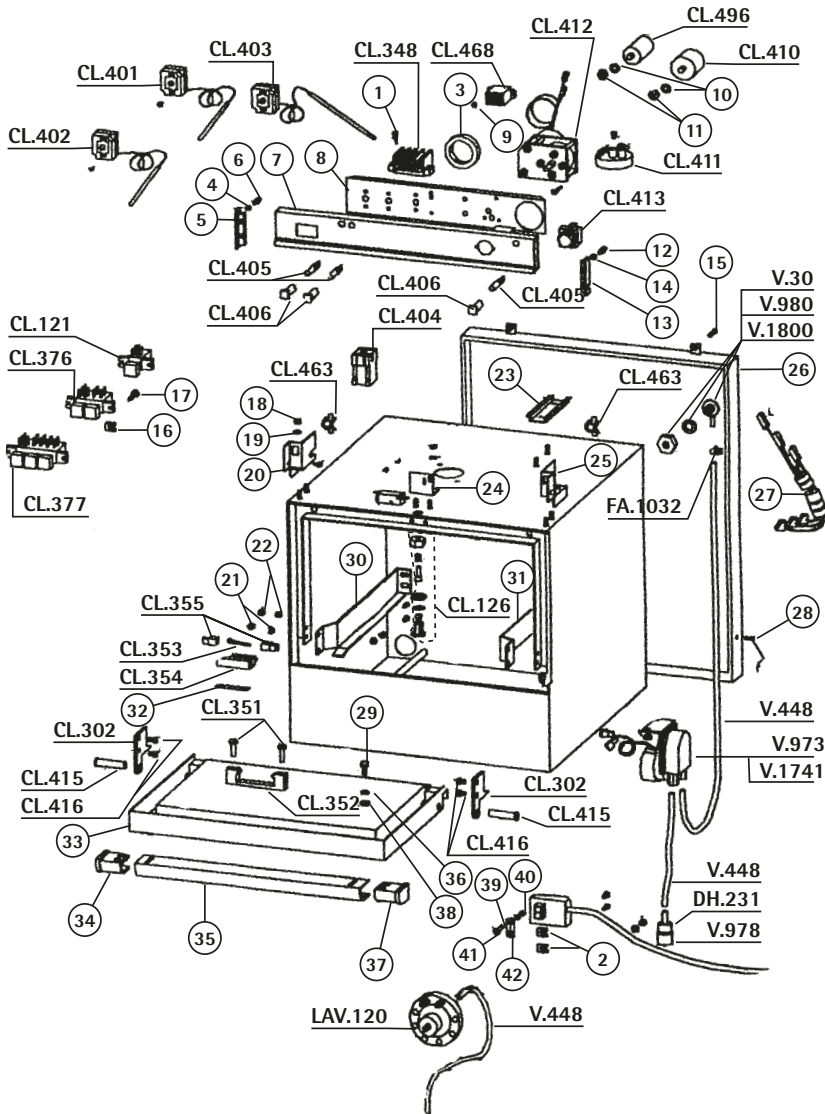
REF.	DESCRIPCIÓN	DESCRIPTION
CL.126	CIERRE PUERTA	CLOSING DOOR
CL.302	SOPORTE PUERTA	DOOR SUPPORT
CL.348	CONECTOR	CONNECTOR
CL.353	MUELLE	SPRING
CL.354	CUERPO SOPORTE	SUPPORT BODY
CL.355	SOPORTE GUIA PUERTA	DOOR GUIDE SUPPORT
CL.400	PATA	FOOT
CL.401	TERMOSTATO	THERMOSTAT
CL.402	TERMOSTATO	THERMOSTAT
CL.403	TERMOSTATO	THERMOSTAT
CL.404	CONTACTOR	CONTACTOR
CL.405	PILOTO	PILOT
CL.406	CARACA PILOTO	PILOT COVER
CL.407	INTERRUPTOR	SWITCH
CL.408	MICROINTERRUPTOR	MICROSWITCH
CL.409	CONDENSADOR	CONDENSER
CL.410	FILTRO ANTIPARASITARIO	INTERFERENCE FILTER
CL.411	PRESOSTATO	PRESSURE SWITCH
CL.412	PROGRAMADOR	TIMER
CL.413	TERMOSTATO	THERMOSTAT
CL.414	JUNTA	GASKET
CL.415	PERNO	BOLT
CL.416	TORNILLO	SCREW
CL.468	RELE	RELAY
LAV120	DOSIFICADOR ABRILLANTADOR	RINSE AID DOSIMETER
V.448	TUBO PRESOSTATO-METRO 4X6	4X6 PRE SWITCH INLET PIPE
V.978	FILTRO DOSIFICADOR	DOSIMETER FILTER





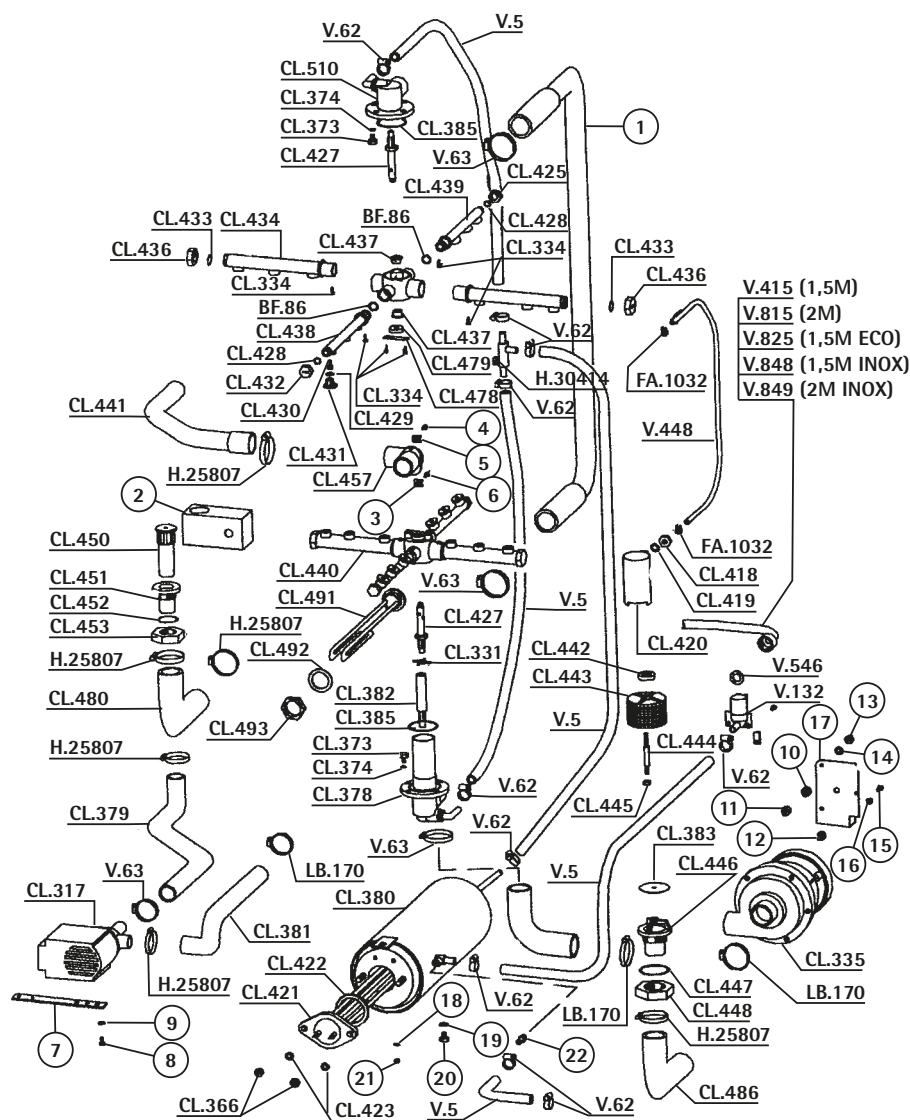
REF.	DESCRIPCIÓN	DESCRIPTION
BF.86	TORICA GOMA	RUBBER RING
CL.310	ABRAZADERA 8-12	8-12 CLAMP
CL.328	RESISTENCIA CUBA 2000W 230V	TANK RESISTANCE 2000W 230V
CL.331	ESTRELLA PERNO	BOLT STAR
CL.334	TORNILLO INOX	SCREW
CL.339	CALDERIN	BOILER
CL.366	TUERCA	NUT
CL.373	TORNILLO	SCREW
CL.374	ARANDELA	WASHER
CL.385	JUNTA COLECTOR	COLECTOR GASKET
CL.418	TUERCA	NUT
CL.419	JUNTA	GASKET
CL.420	CAMARA PRESOSTATICA	PRESSURE SWITCH
CL.421	RESISTENCIA	RESISTANCE
CL.422	JUNTA	GASKET
CL.423	ARANDELA	WASHER
CL.424	CODO	ELBOW
CL.425	JUNTA	GASKET
CL.426	TUBO ACLARADO	RINSE PIPE
CL.427	EJE GIRATORIO	GIRATORY ROD
CL.428	JUNTA	GASKET
CL.429	JUNTA	GASKET
CL.430	ROMPECHORROS	SPRAY
CL.431	TAPON ROCIADOR	SPRAY COFFITING
CL.432	TAPON	COVER
CL.433	JUNTA	GASKET
CL.434	BRAZO GIRATORIO	GIRATORY ARM
CL.435	CRUZ GIRATORIO	GIRATORY CROSSHEAD
CL.436	TAPON GIRATORIO	GIRATORY COVER
CL.437	CASQUILLO	CAP
CL.438	BRAZO GIRATORIO	GIRATORY ARM
CL.439	BRAZO GIRATORIO	GIRATORY ARM
CL.440	GIRATORIO COMPLETO	COMPLET GIRATORY
CL.441	MANGUITO	SLEEVE
CL.442	TUERCA FILTRO	FILTER NUT
CL.443	FILTRO	FILTER
CL.444	EJE FILTRO	FILTER ROD
CL.446	RACOR DESAGÜE	DRAIN FITTING
CL.447	JUNTA DESAGÜE	DRAIN GASKET
CL.448	TUERCA DESAGÜE	DRAIN NUT
CL.449	CODO DESAGÜE	DRAIN ELBOW
CL.450	REBOSADERO	OVERFLOW
CL.451	RACOR DESAGÜE	DRAIN FITTING
CL.452	JUNTA DESAGÜE	DRAIN GASKET
CL.453	TUERCA DESAGÜE	DRAIN NUT
CL.454	CODO DESAGÜE	DRAIN ELBOW
CL.455	MANGUITO	SLEEVE
CL.456	MOTOR CF235	CF235 MOTOR
CL.457	CODO	ELBOW
CL.461	EJE	ROD
CL.462	COLECTOR INFERIOR	LOWER COLECTOR
CL.478	PLACA	PLATE
CL.479	TUERCA	NUT
FA1032	BRIDA	CLASP
H30414	RACOR EMPALME	UNION FITTING
LB.170	ABRAZADERA 40-60	40-60 CLAMP
V...5	TUBO GOMA 10X16 20 ATM	20ATM 10X17 RUBBER PIPE
V..62	ABRAZADERA 12-20	12-20 CLAMP
V..63	ABRAZADERA 20-32	20-35 CLAMP
V..132	ELECTROVALV.1 VIA LAV.220V	WASH 1 WAY 220V SOLENOID
V..415	TOMA LAVADORA 1,5M	QUALITY 1.5M INLET W/FLEX
V..448	TUBO PRESOSTATO-METRO 4X6	4X6 PRE-SWITCH INLET PIPE
V..546	JUNTA GOMA 3/4	WATER INLET RUBBER GASKET
V..815	TOMA LAVADORA 2 METROS	2 MT INLET WATER FLEXIBLE
V..825	TOMA LAVADORA 1.5 "ECO"	"ECO"1.5M INLET WA.FLEXIB
V..848	TOMA LAVADORA 1.5M INOX	INOX 1.5M INLET WATER FL.
V..849	TOMA LAV.INOX 2MT.3/4X3/4	INOX 2MTINLET WATER FLE.

Carrocería / Componentes eléctricos DL 240 ■ DL240 Electric components / Bodywork

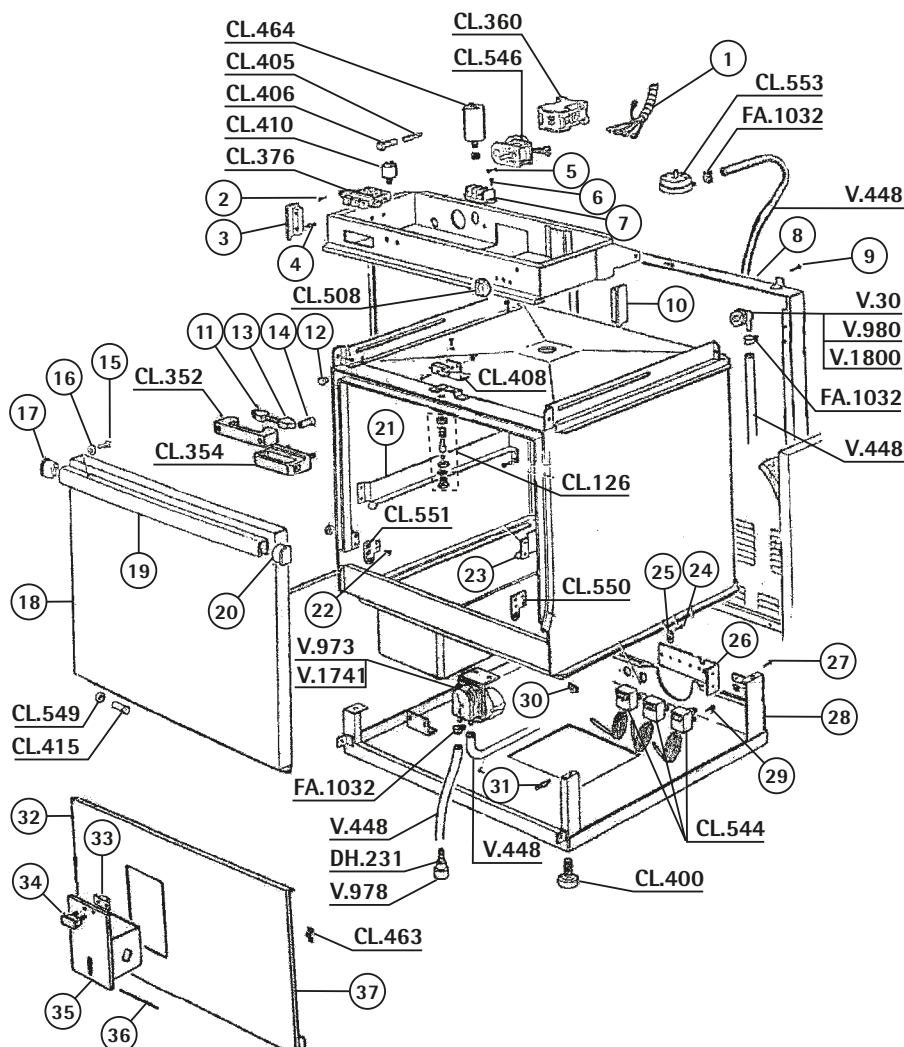


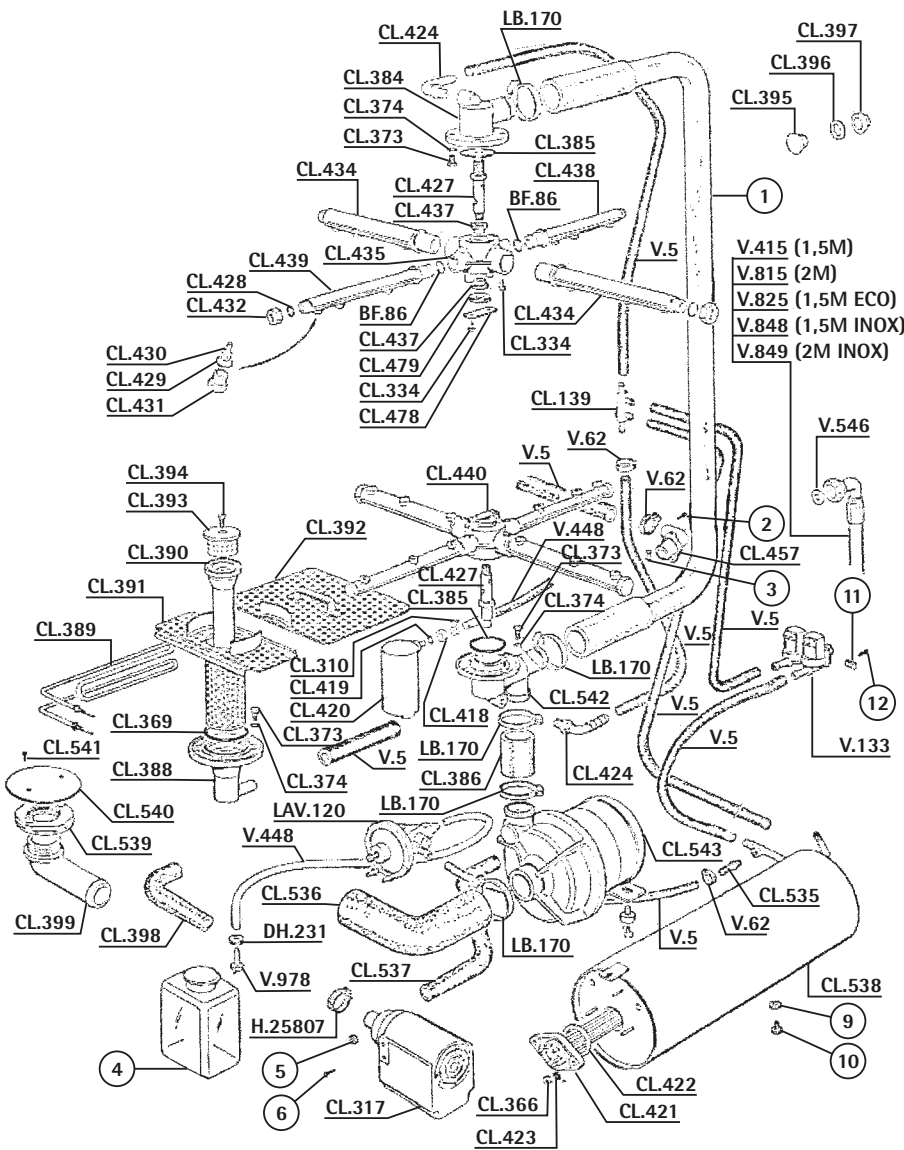
REF.	DESCRIPCIÓN	DESCRIPTION
CL.121	INTERRUPTOR VERDE	GREEN SWITCH
CL.126	CIERRE PUERTA	CLOSING DOOR
CL.302	SOPORTE PUERTA	DOOR SUPPORT
CL.348	CONECTOR	CONNECTOR
CL.351	TORNILLO GUIA PUERTA	DOOR GUIDE SCREW
CL.352	GANCHO PUERTA	DOOR HOOK
CL.353	MUELLE	SPRING
CL.354	CUERPO SOPORTE	SUPPORT BODY
CL.355	SOPORTE GUIA PUERTA	DOOR GUIDE SUPPORT
CL.376	INTERRUPTOR DOBLE	DOUBLE SWITCH
CL.377	INTERRUPTOR TRIPLE	THREE SWITCH
CL.401	TERMOSTATO	THERMOSTAT
CL.402	TERMOSTATO	THERMOSTAT
CL.403	TERMOSTATO	THERMOSTAT
CL.404	CONTACTOR	CONTACTOR
CL.405	PILOTO	PILOT
CL.406	CARCASA PILOTO	PILOT COVER
CL.410	FILTRO ANTIPARASITARIO	INTERFERENCE FILTER
CL.411	PRESOSTATO	PRESSURE SWITCH
CL.412	PROGRAMADOR	TIMER
CL.413	TERMOSTATO	THERMOSTAT
CL.415	PERNO	BOLT
CL.416	TORNILLO	SCREW
CL.463	TERMOSTATO	THERMOSTAT
CL.468	RELE	RELAY
CL.496	CONDENSADOR	CONDENSER
DH.231	PESO FILTRO	FILTER FITTING
FA1032	BRIDA	CLASP
LAV120	DOSIFICADOR ABRILLANTADOR	RINSE AID DOSIMETER
V...30	RACOR ENTRADA JABON	INLET SOAP FITTING
V..448	TUBO PRESOSTATO-METRO 4X6	4X6 PRE-SWITCH INLET PIPE
V..973	DOSIFICADOR PERISTALTICO INTER	INTERNAL PERISTALTIC DOS.
V..978	FILTRO DOSIFICADOR	DOSIMETER FILTER
V..980	RACOR ENTRADA JABON LARGO	LONG INLET FITTING
V..1741	DOSIF.ABRILL. INTERNO 230V AC	230Vac INTERNAL RINSE DOSIMET
V..1800	RACOR ENTRADA JABON METALICO	METALIC DETER.INLET FITTING

REF.	DESCRIPCIÓN	DESCRIPTION
BF.86	TORICA GOMA	RUBBER RING
CL.317	BOMBA DESAGÜE	OUTLET PUMP
CL.331	ESTRELLA PERNO	BOLT STAR
CL.334	TORNILLO INOX	SCREW
CL.335	MOTOBOMBA	WASHING PUMP
CL.366	TUERCA	NUT
CL.373	TORNILLO	SCREW
CL.374	ARANDELA	WASHER
CL.378	COLECTOR INFERIOR	LOWER COLECTOR
CL.379	MANGUITO	SLEEVE
CL.380	CALDERIN DL240	DL240 BOILER
CL.381	MANGUITO	SLEEVE
CL.382	EJE GIRATORIO	GIRATORY ROD
CL.383	DISCO	DISK
CL.385	JUNTA COLECTOR	COLECTOR GASKET
CL.418	TUERCA	NUT
CL.419	JUNTA	GASKET
CL.420	CAMARA PRESOSTATICA	PRESSURE SWITCH
CL.421	RESISTENCIA	RESISTANCE
CL.422	JUNTA	GASKET
CL.423	ARANDELA	WASHER
CL.425 J	UNTA	GASKET
CL.427	EJE GIRATORIO	GIRATORY ROD
CL.428	JUNTA	GASKET
CL.429	JUNTA	GASKET
CL.430	ROMPECHORROS	SPRAY
CL.431	TAPON ROCIADOR	SPRAY COFFITING
CL.432	TAPON	COVER
CL.433	JUNTA	GASKET
CL.434	BRAZO GIRATORIO	GIRATORY ARM
CL.436	TAPON GIRATORIO	GIRATORY COVER
CL.437	CASQUILLO	CAP
CL.438	BRAZO GIRATORIO	GIRATORY ARM
CL.439	BRAZO GIRATORIO	GIRATORY ARM
CL.440	GIRATORIO COMPLETO	COMPLET GIRATORY
CL.441	MANGUITO	SLEEVE
CL.442	TUERCA FILTRO	FILTER NUT
CL.443	FILTRO	FILTER
CL.444	EJE FILTRO	FILTER ROD
CL.445	ARANDELA	WASHER
CL.446	RACOR DESAGÜE	DRAIN FITTING
CL.447	JUNTA DESAGÜE	DRAIN GASKET
CL.448	TUERCA DESAGÜE	DRAIN NUT
CL.450	REBOSADERO	OVERFLOW
CL.451	RACOR DESAGÜE	DRAIN FITTING
CL.452	JUNTA DESAGÜE	DRAIN GASKET
CL.453	TUERCA DESAGÜE	DRAIN NUT
CL.478	PLACA	PLATE
CL.479	TUERCA	NUT
CL.480	CODO	ELBOW
CL.486	MANGUITO	SLEEVE
CL.491	RESISTENCIA CF40	CF40 RESISTANCE
CL.492	JUNTA	GASKET
CL.493	TUERCA	NUT
CL.510	COLECTOR SUPERIOR	UPPER COLECTOR
FA1032	BRIDA	CLASP
H25807	ABRAZADERA 25-40	25-40 CLAMP
H30414	RACOR EMPALME	UNION FITTING
LB.170	ABRAZADERA 40-60	40-60 CLAMP
V..5	TUBO GOMA 10X16 20 ATM	20ATM 10X17 RUBBER PIPE
V..62	ABRAZADERA 12-20	12-20 CLAMP
V..63	ABRAZADERA 20-32	20-35 CLAMP
V.132	ELECTROVALV.1 VIA LAV220V	WASH 1 WAY 220V SOLENOID
V.415	TOMA LAVADORA 1,5M	TOMA LAVADORA 1.5M
V.448	TUBO PRESOSTATO-METRO 4X6	4X6 PRE.SWITCH INLET PIPE
V.546	JUNTA GOMA 3/4	WATER INLET RUBBER GASKET
V.815	TOMA LAVADORA 2 METROS	2 MT.INLET WATER FLEXIBLE
V.825	TOMA LAVADORA 1.5 "ECO"	"ECO"1.5M INLET WA.FLEXIB
V.848	TOMA LAVADORA 1.5M INOX	INOX 1.5M INLET WATER FL.
V.849	TOMA LAV.INOX 2MT3/4X3/4	INOX 2MT.INLET WATER FLE.



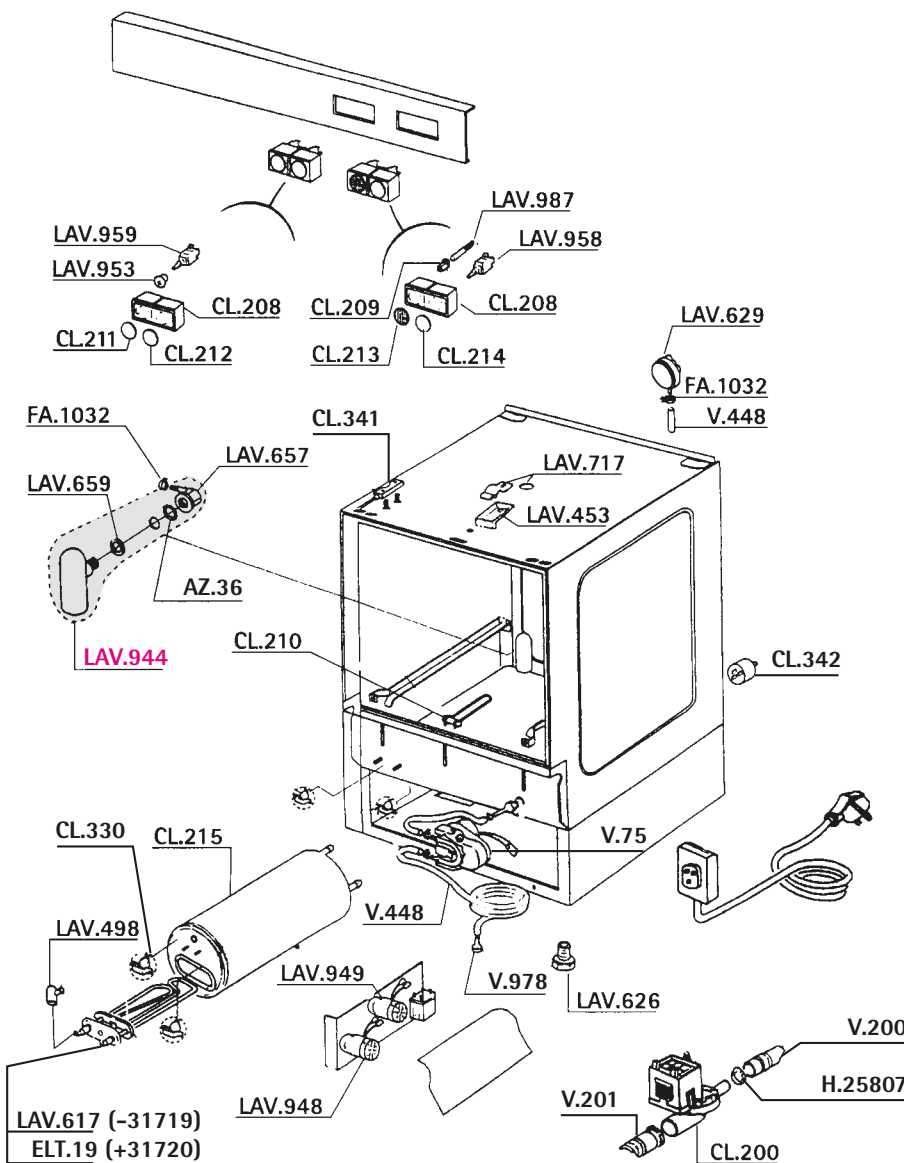
REF.	DESCRIPCIÓN	DESCRIPTION
CL.126	CIERRE PUERTA	CLOSING DOOR
CL.352	GANCHO PUERTA	DOOR HOOK
CL.354	CUERPO SOPORTE	SUPPORT BODY
CL.360	CONTACTOR	CONTACTOR
CL.376	INTERRUPTOR DOBLE	DOUBLE SWITCH
CL.400	PATA	FOOT
CL.405	PILOTO	PILOT
CL.406	CARCASA PILOTO	PILOT COVER
CL.408	MICROINTERRUPTOR	MICROSWITCH
CL.410	FILTRO ANTIPARASITARIO	INTERFERENCE FILTER
CL.415	PERNO	BOLT
CL.463	TERMOSTATO	THERMOSTAT
CL.464	CONDENSADOR	CONDENSER
CL.508	MANDO	KNOB
CL.544	TERMOSTATO	THERMOSTAT
CL.546	PROGRAMADOR DS400	DS400 TIMER
CL.549	ARANDELA	WASHER
CL.550	BISAGRA DERECHA	RIGHT HINGE
CL.551	BISAGRA IZQUIERDA	LEFT HINGE
CL.553	PRESOSTATO	PRESSURE SWITCH
DH.231	PESO FILTRO	FILTER FITTING
FA1032	BRIDA	CLASP
V..30	RACOR ENTRADA JABON	INLET SOAP FITTING
V.448	TUBO PRESOSTATO-METRO 4X6	4X6 PRE.SWITCH INLET PIPE
V.973	DOSIFICADOR PERISTALTICO INTER	INTERNAL PERISTALTIC DOS.
V.978	FILTRO DOSIFICADOR	DOSIMETER FILTER
V.980	RACOR ENTRADA JABON LARGO	LONG INLET FITTING
V.1741	DOSIF.ABRILL.INTERNO 230V AC	230Vac INTERNAL RINSE DOSIMET
V.1800	RACOR ENTRADA JABON METALICO	METALIC DETER.INLET FITTING





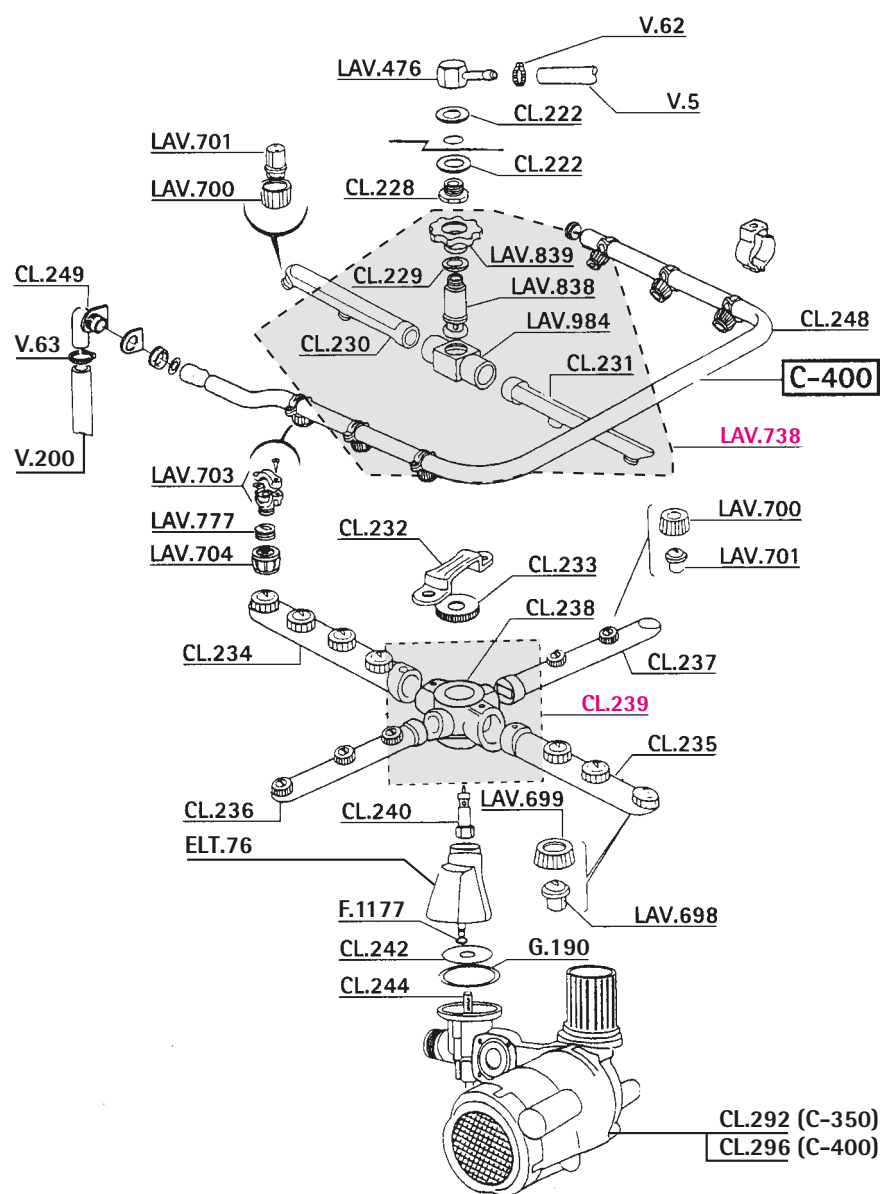
REF.	DESCRIPCIÓN	DESCRIPTION
BF.86	TORICA GOMA	RUBBER RING
CL.139	T° EMPALME	UNION
CL.310	ABRAZADERA 8-12	8-12 CLAMP
CL.317	BOMBA DESAGÜE	OUTLET PUMP
CL.334	TORNILLO INOX	SCREW
CL.366	TUERCA	NUT
CL.369	JUNTA	GASKET
CL.373	TORNILLO	SCREW
CL.374	ARANDELA	WASHER
CL.384	COLECTOR SUPERIOR	UPPER COLECTOR
CL.385	JUNTA COLECTOR	COLECTOR GASKET
CL.386	MANGUITO	SLEEVE
CL.388	COLECTOR FILTRO	FILTER COLECTOR
CL.389	RESISTENCIA CUBA	TANK RESISTANCE
CL.390	REBOSADERO	OVERFLOW
CL.391	FILTRO	FILTER
CL.392	FILTRO	FILTER
CL.393	FILTRO	FILTER
CL.394	TORNILLO FILTRO	FILTER SCREW
CL.395	TORNILLO	SCREW
CL.396	JUNTA	GASKET
CL.397	TUERCA	NUT
CL.398	CODO	ELBOW
CL.399	CODO DESAGÜE	DRAIN ELBOW
CL.418	TUERCA	NUT
CL.419	JUNTA	GASKET
CL.420	CAMARA PRESOSTATICA	PRESSURE SWITCH
CL.421	RESISTENCIA	RESISTANCE
CL.422	JUNTA	GASKET
CL.423	ARANDELA	WASHER
CL.424	CODO	ELBOW
CL.427	EJE GIRATORIO	GIRATORY ROD
CL.429	JUNTA	GASKET
CL.430	ROMPECHORROS	SPRAY
CL.431	TAPON ROCIADOR	SPRAY COFFITING
CL.432	TAPON	COVER
CL.434	BRAZO GIRATORIO	GIRATORY ARM
CL.435	CRUZ GIRATORIO	GIRATORY CROSSHEAD
CL.437	CASQUILLO	CAP
CL.438	BRAZO GIRATORIO	GIRATORY ARM
CL.439	BRAZO GIRATORIO	GIRATORY ARM
CL.440	GIRATORIO COMPLETO	COMPLET GIRATORY
CL.457	CODO	ELBOW
CL.478	PLACA	PLATE
CL.479	TUERCA	NUT
CL.535	RACOR CALDERIN	BOILER FITTING
CL.536	MANGUITO	SLEEVE
CL.537	MANGUITO	SLEEVE
CL.538	CALDERIN	BOILER
CL.539	TUERCA	NUT
CL.540	DISCO	DISK
CL.541	TORNILLO	SCREW
CL.542	COLECTOR INFERIOR	LOWER COLECTOR
CL.543	MOTOR DS400	DS400 MOTOR
DH.231	PESO FILTRO	FILTER FITTING
H25807	ABRAZADERA 25-40	25-40 CLAMP
LAV.120	DOSIFICADOR ABRILLANTADOR	RINSE AID DOSIMETER
LB.170	ABRAZADERA 40-60	40-60 CLAMP
V...5	TUBO GOMA 10X16 20 ATM	20ATM 10X17 RUBBER PIPE
V..62	ABRAZADERA 12-20	12-20 CLAMP
V..133	ELECTROVAL.2 VIA LAV.220V	WASH 2 WAYS 220V SOLENOID
V..415	TOMA LAVADORA 1,5M	QUALITY 1.5M INLET W/FLEX
V..448	TUBO PRESOSTATO-METRO 4X6	4X6 PRE.SWITCH INLET PIPE
V..546	JUNTA GOMA 3/4	WATER INLET RUBBER GASKET
V..815	TOMA LAVADORA 2 METROS	2 M.INLET WATER FLEXIBLE
V..825	TOMA LAVADORA 1.5 "ECO"	"ECO" 1.5M INLET WA.FLEXIB
V..848	TOMA LAVADORA 1.5M INOX	INOX 1.5M INLET WATER FL.
V..849	TOMA LAV.INOX 2MT.3/4X3/4	INOX 2MT.INLET WATER FL.
V..978	FILTRO DOSIFICADOR	DOSIMETER FILTER

Carrocería C-350 / C-400 ■ C-350 / C-400 Bodywork

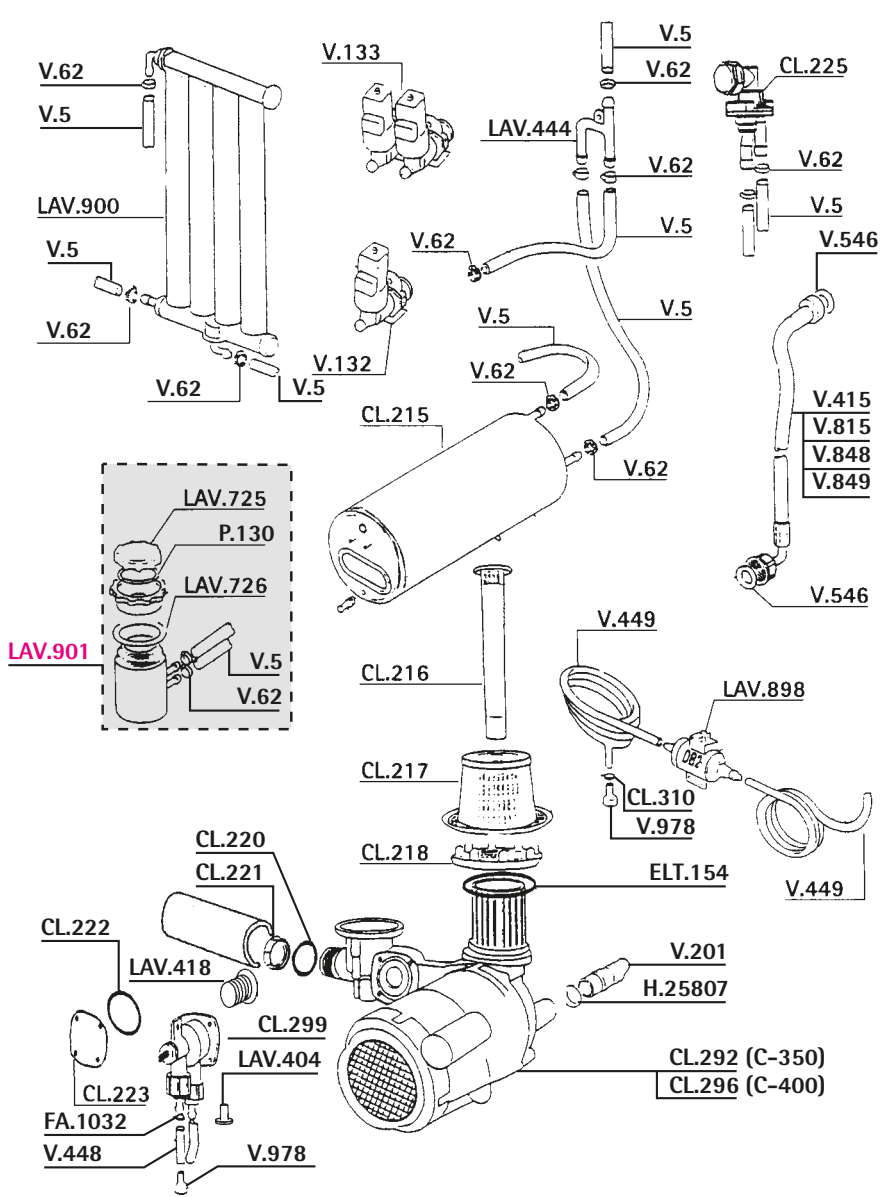


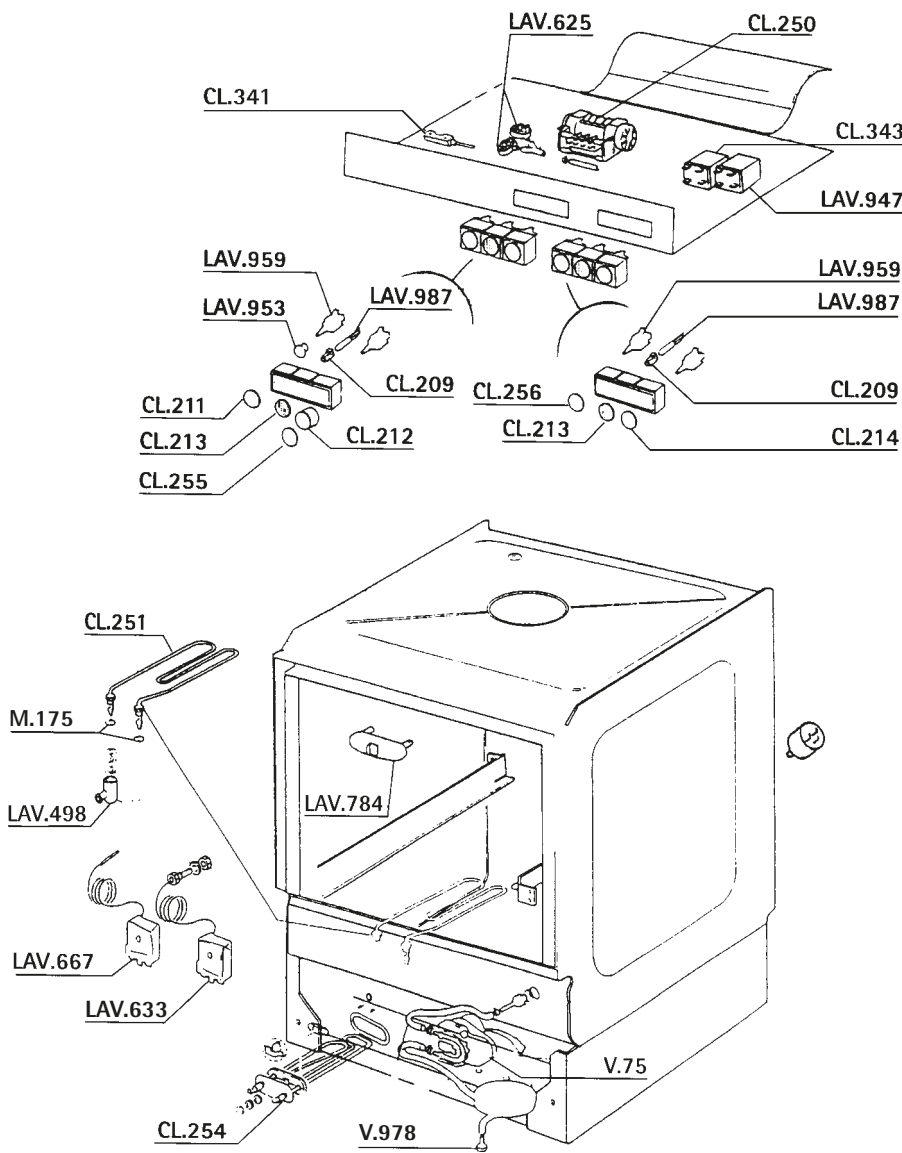
REF.	DESCRIPCIÓN	DESCRIPTION
AZ..36	TORICA GOMA EPDM	RING
CL.200	BOMBA CENTRIFUGA	PUMP
CL.208	CAJA	BOX
CL.209	PROTECTOR PILOTO	WARNING LAMP PROTECTOR
CL.210	RESIST.CUBA 600W 230V	RESISTANCE TANK 600W/230V
CL.211	PLASTICO CONMUTADOR	SWITCH PLASTIC
CL.212	PLASTICO	PLASTIC
CL.213	PLASTICO PILOTO	WARNING LAMP PLASTIC
CL.214	PLASTICO PULSADOR	PUSH-BUTTON PLASTIC
CL.215	CALDERIN	BOILER
CL.330	TERMOSTATO FIJO 80°	80° EVAPORATOR THERMOSTAT
CL.341	IMAN	MAGNET
CL.342	FILTRO ANTIPARASITARIO	ANTIPARASITIC FILTER
ELT.19	RESIST.CALDERIN 2600W 230V	230V/2600W BOILER RESISTANCE
FA1032	BRIDA	CLASP
H25807	ABRAZADERA 25-40	25-40 CLAMP
LAV.453	BASE CIERRE PUERTA	CLOSING DOOR BASE
LAV.498	RACOR T	T FITTING
LAV.617	RESISTENCIA 2500W 230V	RESISTANCE 2500W 230V
LAV.626	PIE MAQUINA	MACHINE FOOT
LAV.629	PRESOSTATO SAL.HOR.35/17	35/17 HORIZ.PRESS.SWITCH
LAV.657	RACOR CAMPANA	PRESSURE SWITCH FITTING
LAV.659	JUNTA GOMA	RUBBER GASKET
LAV.717	MUELLE CIERRE	CLOSING SPRING
LAV.944	CAMARA PRESOSTATICA	PRES.SWITCH CHAMBER
LAV.948	PROGRAMADOR 3 LEVAS 150S	3 TOOTH 150S TIMER
LAV.949	PROGRAMADOR REGEN.1MICRO	1TOOTH REGENERACT. TIMER
LAV.953	TAPON BICOLOR	BICOLOUR CAP
LAV.958	ARTICULO DADO DE BAJA	CANCEL
LAV.959	CONMUTADOR DOBLE	DOUBLE SWITCH
LAV.987	PILOTO BLANCO 9.5mm 220V	9.5mm WHITE WARNING LAMP
V...75	DOSIF.PERISTALTICO REGULA	ADJUSTABLE DOSIMETER
V..200	TUBO DESAGÜE 17mm 1,8mt	17mm. 1.8mt OUTLET PIPE
V..201	TUBO DESAGÜE 28mm. 1,5mt.	28mm. 1.5mt OUTLET PIPE
V..448	TUBO PRESOSTATO-METRO 4X6	4X6 PRE.SWITCH INLET PIPE
V..978	FILTRO DOSIFICADOR	DOSIMETER FILTER

REF.	DESCRIPCIÓN	DESCRIPTION
CL.222	TORICA	RING
CL.228	TAPON	CAP
CL.229	JUNTA TEFLON	TEFLON GASKET
CL.230	BRAZO ACLARADO IZQUIERDO	LEFT RINSE ARM
CL.231	BRAZO ACLARADO DERECHO	RIGHT RINSE ARM
CL.232	ABRAZADERA PLASTICO	PLASTIC CLAMP
CL.233	TUERCA INOX	INOX NUT
CL.234	BRAZO LAVADO DERECHO	RIGHT WASHING ARM
CL.235	BRAZO LAVADO IZQUIERDO	LEFT WASHING ARM
CL.236	BRAZO ACLARADO DERECHO	RIGHT RINSE ARM
CL.237	BRAZO ACLARADO IZQUIERDO	LEFT RINSE ARM
CL.238	CRUCETA	CROSSHEAD
CL.239	GIRATORIO	GYRATORY
CL.240	EJE GIRATORIO	REVOLVING ARM ROD
CL.242	ARANDELA	WASHER
CL.244	EJE	ROD
CL.248	ARBOL LAVADO C400	C 400 WASHING TREE
CL.249	CODO	ELBOW
CL.292	MOTOR C350 0.25HP	C350 0.25HP MOTOR
CL.296	MOTOR C400 0.33HP	C400 0.33HP MOTOR
ELT.76	CONDUCTO CENTRAL	CENTRAL CONDUIT
F.1117	TORICA GOMA EPDM	RING
G..190	TORICA GOMA	RUBBER RING
LAV476	RACOR	FITTING
LAV698	RACOR LAVADO	WASHING FITTING
LAV699	TUERCA PLASTICO DE LAVADO	WASHING NUT
LAV700	TUERCA ACLARADO	RINSE NUT
LAV701	TAPON ACLARADO	RINSING CAP
LAV703	SOPORTE RACORD LAVADO	WASHING FITTING SUPPORT
LAV704	RACOR LAVADO	WASHING FITTING
LAV738	ASTA ACLARADO SUPERIOR	UPPER RINSE ARM
LAV777	HELICE LAVADO	WASHING PROPELLER
LAV838	EJE COLECTOR ACLARADO	COLLECTOR ROD
LAV839	TUERCA FIJACION PLASTICO	PLASTIC FIXING NUT
LAV984	COLECTOR SUP. ACLARADO	RINSING UPPER COLLECTOR
V...5	TUBO GOMA 10X16 20 ATM	20ATM 10X17 RUBBER PIPE
V...62	ABRAZADERA 12-20	12-20 CLAMP
V...63	ABRAZADERA 20-32	20-35 CLAMP
V.200	TUBO DESAGÜE 17mm 1,8mt	17mm. 1.8mt OUTLET PIPE



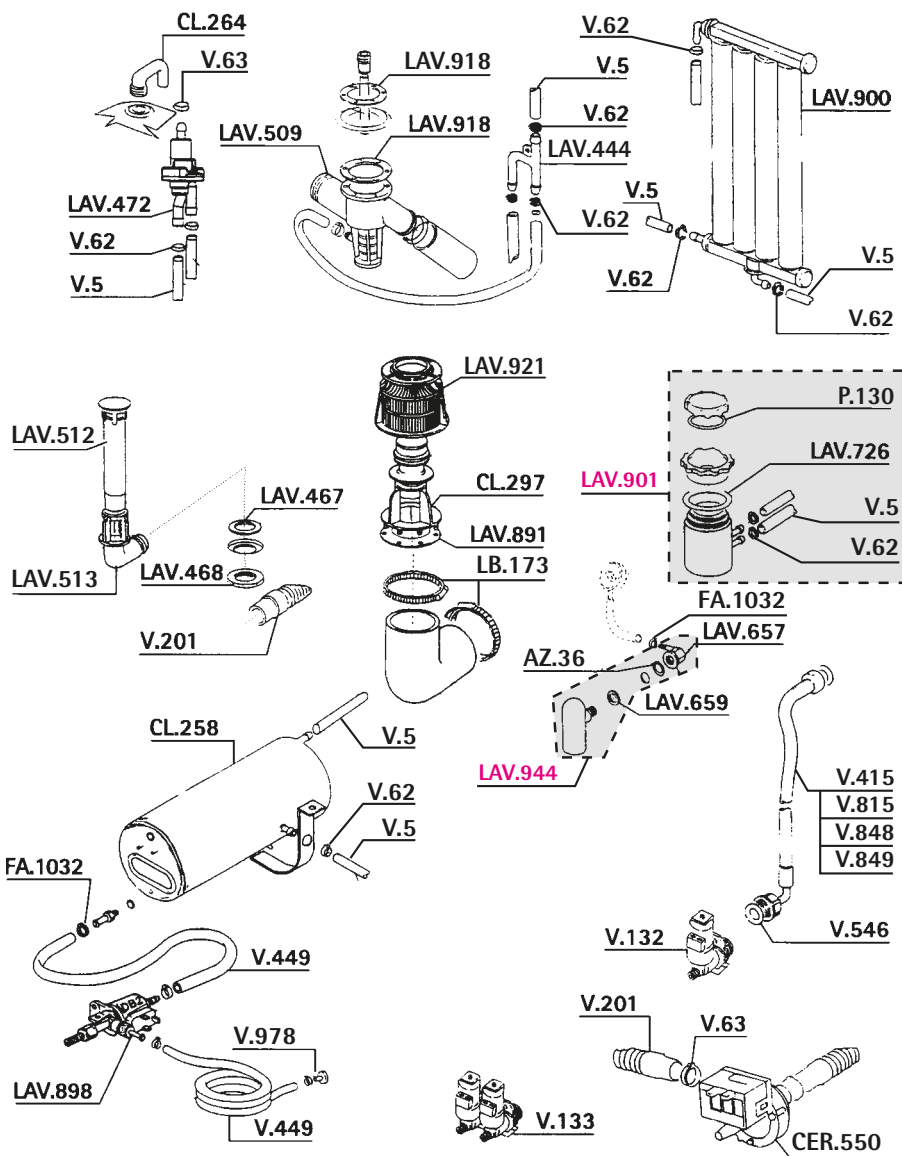
REF.	DESCRIPCIÓN	DESCRIPTION
CL.215	CALDERIN	BOILER
CL.216	SOBRENIVEL	OVERFLOW
CL.217	FILTRO	FILTER
CL.218	BASE FILTRO	FILTER BASE
CL.220	TAPON	CAP
CL.221	TUERCA	NUT
CL.222	TORICA	RING
CL.223	TAPON PLASTICO	PLASTIC LID
CL.225	RACOR	FITTING
CL.292	MOTOR C350 0.25HP	C350 0.25HP MOTOR
CL.296	MOTOR C400 0.33HP	C400 0.33HP MOTOR
CL.299	DOSIFICADOR HIDRAULICO	HIDRAULIC DOSIMETER
CL.310	ABRAZADERA 8-12	8-12 CLAMP
ELT154	JUNTA GOMA	RUBER GASKET
FA1032	BRIDA	CLASP
H25807	ABRAZADERA 25-40	25-40 CLAMP
LAV404	VALVULA	VALVE
LAV418	MEMBRANA DOSIFICADOR	DOSIMETER MEMBRANE
LAV444	RACOR 3 VIAS	3 WAYS FITTING
LAV725	TAPON BOTELLA SAL	SALT BOTTLE CAP
LAV726	JUNTA GOMA BOTELLA SAL	BOTTLE SALT RUBBER GASKET
LAV898	DOSIFICADOR ABRILLANTADOR	RINSE AID DOSIMETER
LAV900	DEPURADOR LAVATAZAS	WASHING CUP PURIFIER
LAV901	DEPOSITO SAL COMPLETO	SALT CONTAINER
P.130	TORICA EPDM	RING
V...5	TUBO GOMA 10X16 20 ATM	20ATM 10X17 RUBBER PIPE
V...62	ABRAZADERA 12-20	12-20 CLAMP
V.132	ELECTROVAL.1 VIA LAV.220V	WASH 1 WAY 220V SOLENOID
V.133	ELECTROVAL.2 VIA LAV.220V	WASH 2 WAYS 220V SOLENOID
V.201	TUBO DESAGÜE 28mm. 1,5mt.	28mm. 1.5mt OUTLET PIPE
V.415	TOMA LAVADORA 1,5M	QUALITY 1.5M.INLET W.FLEX
V.448	TUBO PRESOSTATO-METRO 4X6	4X6 PRE.SWITCH INLET PIPE
V.449	TUBO NYLON 4X6mm (1MT)	(1M) 4X6mm NYLON PIPE
V.546	JUNTA GOMA 3/4	WATER INLET RUBBER GASKET
V.815	TOMA LAVADORA 2 METROS	2 MT.INLET WATER FLEXIBLE
V.848	TOMA LAVADORA 1.5M INOX	INOX 1.5M INLET WATER FL.
V.849	TOMA LAV.INOX 2MT.3/4X3/4	INOX 2MT.INLET WATER FLE.
V.978	FILTRO DOSIFICADOR	DOSIMETER FILTER





REF.	DESCRIPCIÓN	DESCRIPTION
CL.209	PROTECTOR PILOTO	WARNING LAMP PROTECTOR
CL.211	PLASTICO CONMUTADOR	SWITCH PLASTIC
CL.212	PLASTICO	PLASTIC
CL.213	PLASTICO PILOTO	WARNING LAMP PLASTIC
CL.214	PLASTICO PULSADOR	PUSH-BUTTON PLASTIC
CL.250	PROGRAMADOR	TIMER
CL.251	RESISTENCIA 3000W 230V	RESISTANCE 3000W 230V
CL.254	RESISTENCIA 3000W 230V	2900W 230V RESISTANCE
CL.255	PLASTICO PULSADOR	PUSH-BUTTON PLASTIC
CL.256	PLASTICO INTERRUPTOR	SWITCH PLASTIC
CL.341	IMAN	MAGNET
CL.343	RELE FINDER 60.63 10A 250V	10A 250V FINDER 60.63 RELAY
LAV498	RACOR T	T FITTING
LAV625	PRESOSTATO SAL.HOR.55/35	55/35 HOR.PRESSURE SWITCH
LAV633	TERMOSTATO CUBA ROSCADO	SCREW TANK THERMOSTAT
LAV667	TERMOSTATO CALDERIN	BOILER THERMOSTAT
LAV784	CIERRE PUERTA	CLOSING DOOR
LAV947	RELE A2-230AC-L	A2-230AC-L RELAY
LAV953	TAPON BICOLOR	BICOLOUR CAP
LAV959	CONMUTADOR DOBLE	DOUBLE SWITCH
LAV987	PILOTO BLANCO 9.5mm 220V	9.5mm WHITE WARNING LAMP
M..175	TORICA GOMA EPDM	RUBBER RING
V...75	DOSIF.PERISTALTICO REGULA	ADJUSTABLE DOSIMETER
V.978	FILTRO DOSIFICADOR	DOSIMETER FILTER

Calderín C-450 / C-500 ■ C-450 / C-500 Boiler

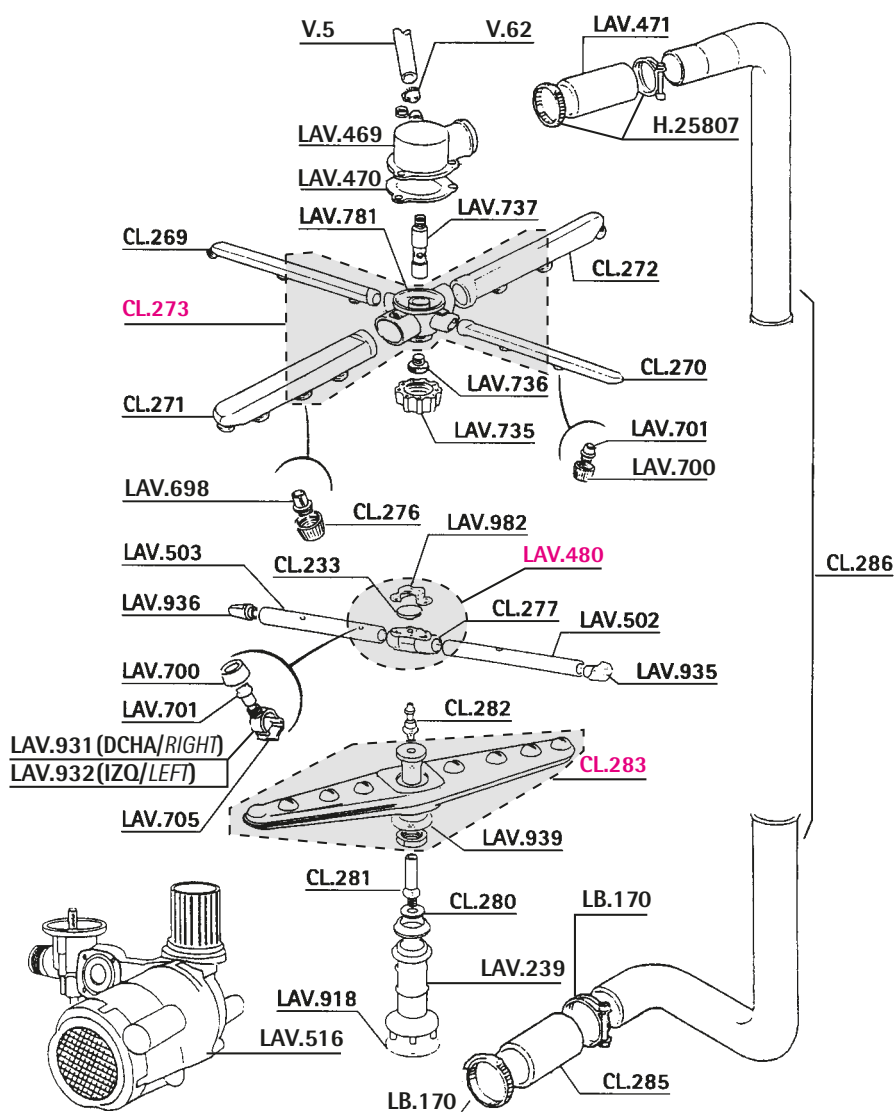


REF.	DESCRIPCIÓN	DESCRIPTION
AZ..36	TORICA GOMA EPDM	RING
CER550	BOMBA DESAGÜE 40W	40W OUTLET PUMP
CL.258	CALDERIN	BOILER
CL.264	CODO	ELBOW
CL.297	BASE FILTRO	FILTER BASE
FA1032	BRIDA	CLASP
LAV444	RACOR 3 VIAS	3 WAYS FITTING
LAV467	JUNTA GOMA	RUBBER GASKET
LAV468	TUERCA	NUT
LAV472	UNION TUBO	PIPE JUNCTION
LAV509	COLECTOR INFERIOR	LOWER COLLECTOR
LAV512	TAPON DESAGÜE 50R-F	50R-F INLET CAP
LAV513	CURVA DESCARGA	OUTLET ELBOW
LAV657	RACOR CAMPANA	PRESSURE SWITCH FITTING
LAV659	JUNTA GOMA	RUBBER GASKET
LAV726	JUNTA GOMA BOTELLA SAL	BOTTLE SALT RUBBER GASKET
LAV891	JUNTA FILTRO BOMBA GOMA	FILTER PUMP RUBBER GASKET
LAV898	DOSIFICADOR ABRILLANTADOR	RINSE AID DOSIMETER
LAV900	DEPURADOR LAVATAZAS	WASHING CUP PURIFIER
LAV901	DEPOSITO SAL COMPLETO	SALT CONTAINER
LAV918	JUNTA COLECTOR INFERIOR GOMA	RUBBER GASKET
LAV921	FILTRO BOMBA	PUMP FILTER
LAV944	CAMARA PRESOSTATICA	PRES.SWITCH CHAMBER
LB.173	ABRAZADERA 60-80	60-80 CLAMP
P.130	TORICA EPDM	RING
V...5	TUBO GOMA 10X16 20 ATM	20ATM 10X17 RUBBER PIPE
V..62	ABRAZADERA 12-20	12-20 CLAMP
V...63	ABRAZADERA 20-32	20-35 CLAMP
V..132	ELECTROVAL.1 VIA LAV.220V	WASH 1 WAY 220V SOLENOID
V..133	ELECTROVAL.2 VIA LAV.220V	WASH 2 WAYS 220V SOLENOID
V..201	TUBO DESAGÜE 28mm. 1,5mt.	28mm. 1.5mt OUTLET PIPE
V..415	TOMA LAVADORA 1,5M	QUALITY 1.5M.INLET W.FLEX
V..449	TUBO NYLON 4X6mm (1MT)	(1M) 4X6mm NYLON PIPE
V..546	JUNTA GOMA 3/4	WATER INLET RUBBER GASKET
V..815	TOMA LAVADORA 2 METROS	2 MT.INLET WATER FLEXIBLE
V..848	TOMA LAVADORA 1.5M INOX	INOX 1.5M INLET WATER FL.
V..849	TOMA LAV.INOX 2MT.3/4X3/4	INOX 2MT.INLET WATER FLE.
V.978	FILTRO DOSIFICADOR	DOSIMETER FILTER

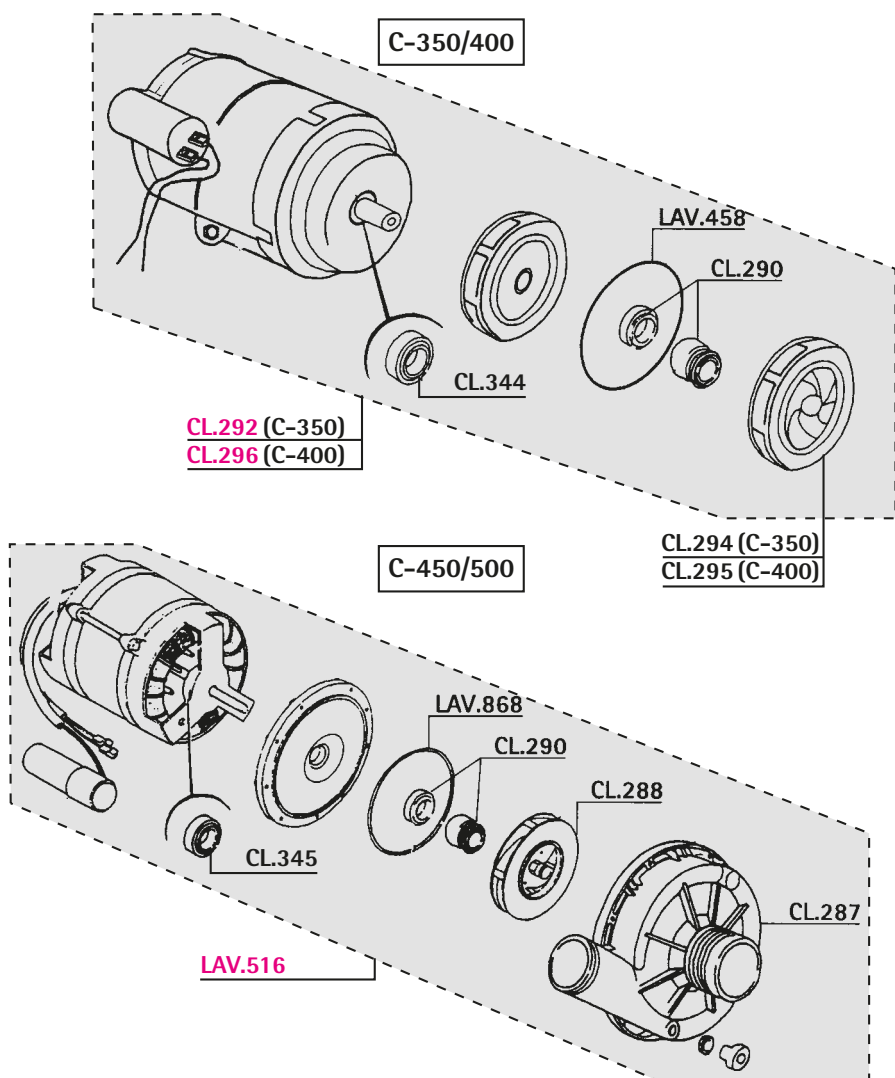
Good job.

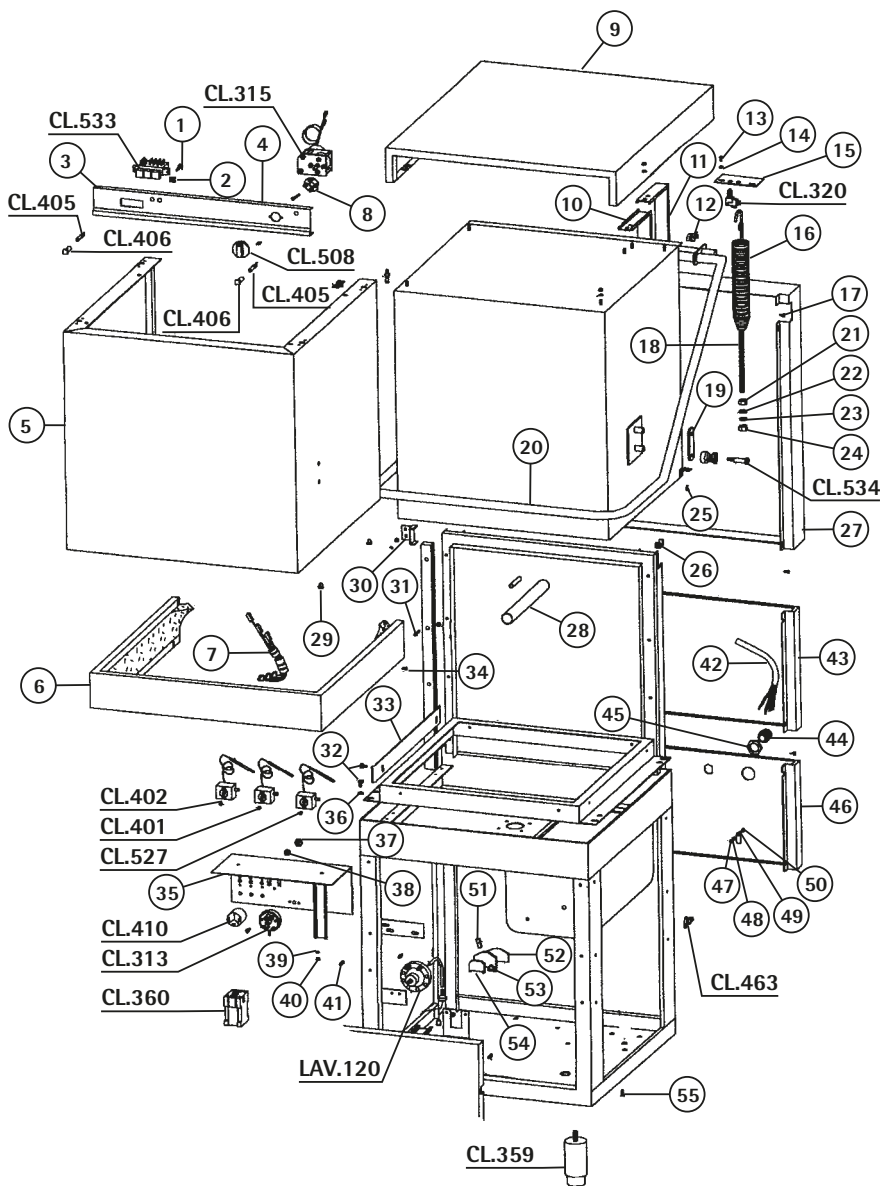


REF.	DESCRIPCIÓN	DESCRIPTION
CL.233	TUERCA INOX	INOX NUT
CL.269	BRAZO ACLARADO IZQUIERDO	LEFT RINSE ARM
CL.270	BRAZO ACLARADO DERECHO	RIGHT RINSE ARM
CL.271	BRAZO LAVADO IZQUIERDO	LEFT WASHING ARM
CL.272	BRAZO LAVADO DERECHO	RIGHT WASHING ARM
CL.273	GIRANTE	GYRATORY
CL.276	TUERCA LAVADO	WASHING NUT
CL.277	UNION	JUNCTION
CL.280	ARANDELA	WASHER
CL.281	EJE	ROD
CL.282	RACOR	FITTING
CL.283	GIRANTE LAVADO	WASHING GYRATORY
CL.285	MANGUITO INFERIOR	LOWER SLEEVE
CL.286	MANGUITO	SLEEVE
H25807	ABRAZADERA 25-40	25-40 CLAMP
LAV.239	RACOR CENTRAL INFERIOR	LOWER CENTRAL FITTING
LAV.469	COLECTOR	COLLECTOR
LAV.470	JUNTA GOMA	RUBBER GASKET
LAV.471	MANGUITO	SLEEVE
LAV.480	GIRATORIO ACLARADO	RINSE GYRATORY
LAV.502	BRAZO ACLARADO 1 SALIDA	1 EXIT RINSE ARM
LAV.503	BRAZO ACLARADO 2 SALIDAS	2 EXIT RINSE ARM
LAV.516	MOTOR BOM.0.8HP M.50/500	0.8HP MOD.50/500 MOTOR
LAV.698	RACOR LAVADO	WASHING FITTING
LAV.700	TUERCA ACLARADO	RINSE NUT
LAV.701	TAPON ACLARADO	RINSING CAP
LAV.705	MUELLE FIJA SURTIDOR	SPRING
LAV.735	MANDO FIJACION 40-400F	40-400F FIXATION HANDLE
LAV.736	TORNILLO	SCREW
LAV.737	EJE COLECTOR CENTRO	COLLECTOR ROD
LAV.781	RACOR CRUZ	FITTING
LAV.918	JUNTA COLECTOR INFERIOR GOMA	RUBBER GASKET
LAV.931	PORTA SURTIDOR GRANDE DCHA	RIGH WATER SPOUT HOLDER
LAV.932	PORTA SURTIDOR GRANDE IZD	LEFT WATER SPOUT HOLDER
LAV.935	TERMINAL BRAZO ACLARADO	RINSE ARM TERMINAL
LAV.936	TERMINAL CIEGO BRAZO ACL.	RINSE ARM TERMINAL
LAV.939	CASQUILLO BRAZO LAV.PEQ.	WASHING PIPE CAP
LAV.982	TAPON COLECTOR 35-350F	35-350F COLLECTOR CAP
LB.170	ABRAZADERA 40-60	40-60 CLAMP
V...5	TUBO GOMA 10X16 20 ATM	20ATM 10X17 RUBBER PIPE
V...62	ABRAZADERA 12-20	12-20 CLAMP



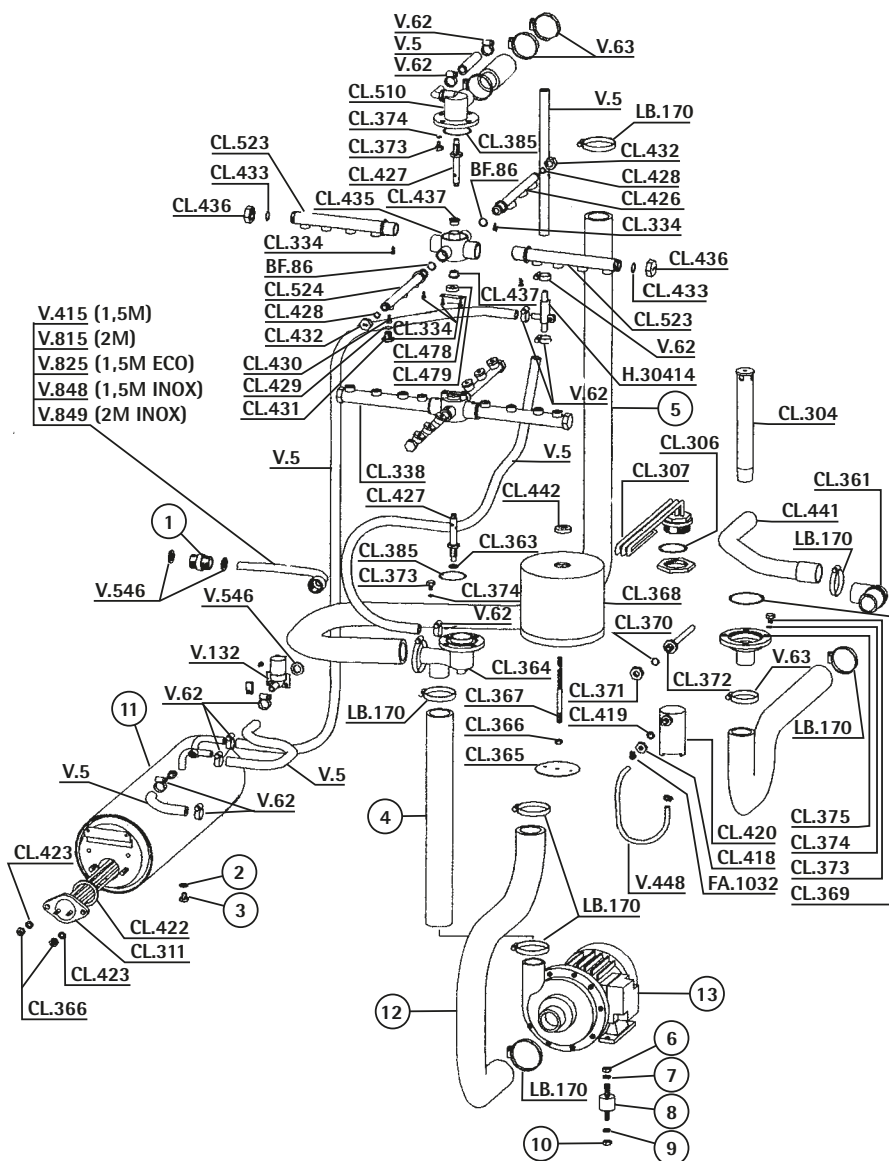
REF.	DESCRIPCIÓN	DESCRIPTION
CL.287	TAPA MOTOR	MOTOR LID
CL.288	GIRANTE	GYRATORY
CL.290	RETEN	MECHANICAL SEAL
CL.292	MOTOR C350 0.25HP	C350 0.25HP MOTOR
CL.294	GIRANTE C350	C350 GYRATORY
CL.295	GIRANTE C400	C400 GYRATORY
CL.296	MOTOR C400 0.33HP	C400 0.33HP MOTOR
CL.344	COJINETE C350/400	C350/400 BALL BEARING
CL.345	COJINETE	BALL BEARING
LAV.458	TORICA BOMBA	PUMP RING
LAV.516	MOTOR BOM.0.8HP M.50/500	0.8HP MOD.50/500 MOTOR
LAV.868	TORICA TAPA BOMBA GOMA	PUMP COVER RUBBER RING





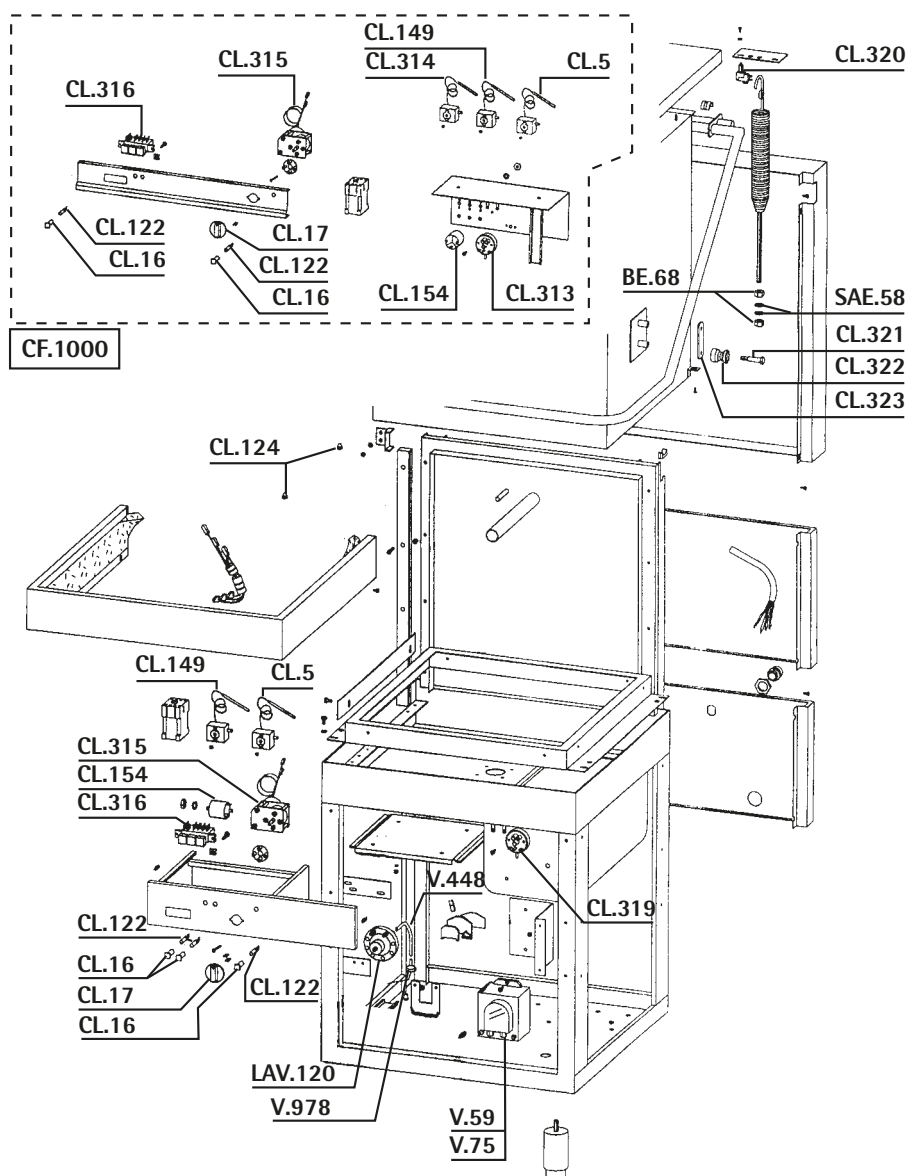
REF.	DESCRIPCIÓN	DESCRIPTION
CL.313	PRESOSTATO CF1000	CF1000 PRESSURE SWITCH
CL.315	TEMPORIZAD.CF1000/DS1200	CF1000/DS1200 TIMER
CL.320	MICRO PUERTA	DOOR MICROSWITCH
CL.359	PATA	FOOT
CL.360	CONTACTOR	CONTACTOR
CL.401	TERMOSTATO	THERMOSTAT
CL.402	TERMOSTATO	THERMOSTAT
CL.405	PILOTO	PILOT
CL.406	CARCASA PILOTO	PILOT COVER
CL.410	FILTRO ANTIPARASITARIO	INTERFERENCE FILTER
CL.463	TERMOSTATO	THERMOSTAT
CL.508	MANDO	KNOB
CL.527	TERMOSTATO	THERMOSTAT
CL.533	INTERRUPTOR	SWITCH
CL.534	PERNO	BOLT
LAV120	DOSIFICADOR ABRILLANTADOR	RINSE AID DOSIMETER

Calderín / Resistencia / Bomba / Filtro / Giratorio CF1000 ■ CF1000 Giratory / Filter / Pump / Resistance / Boiler

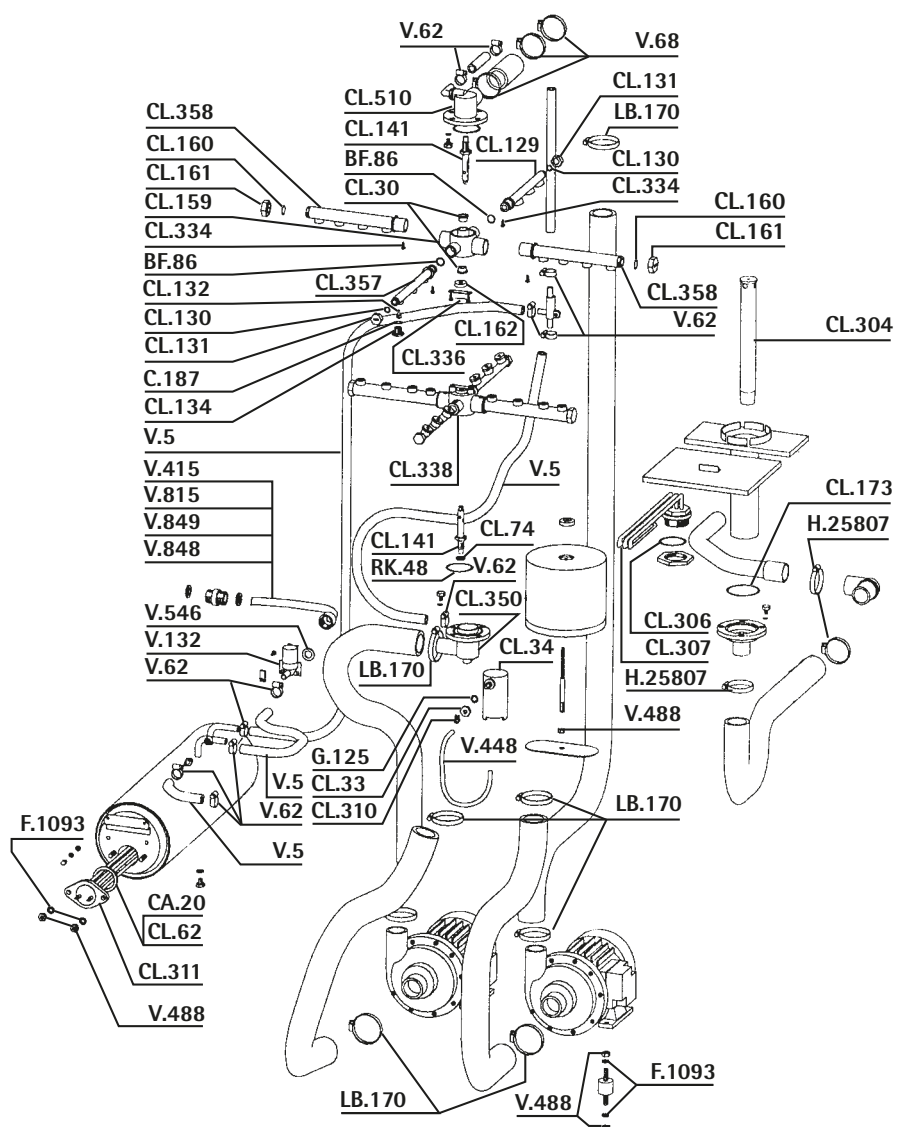


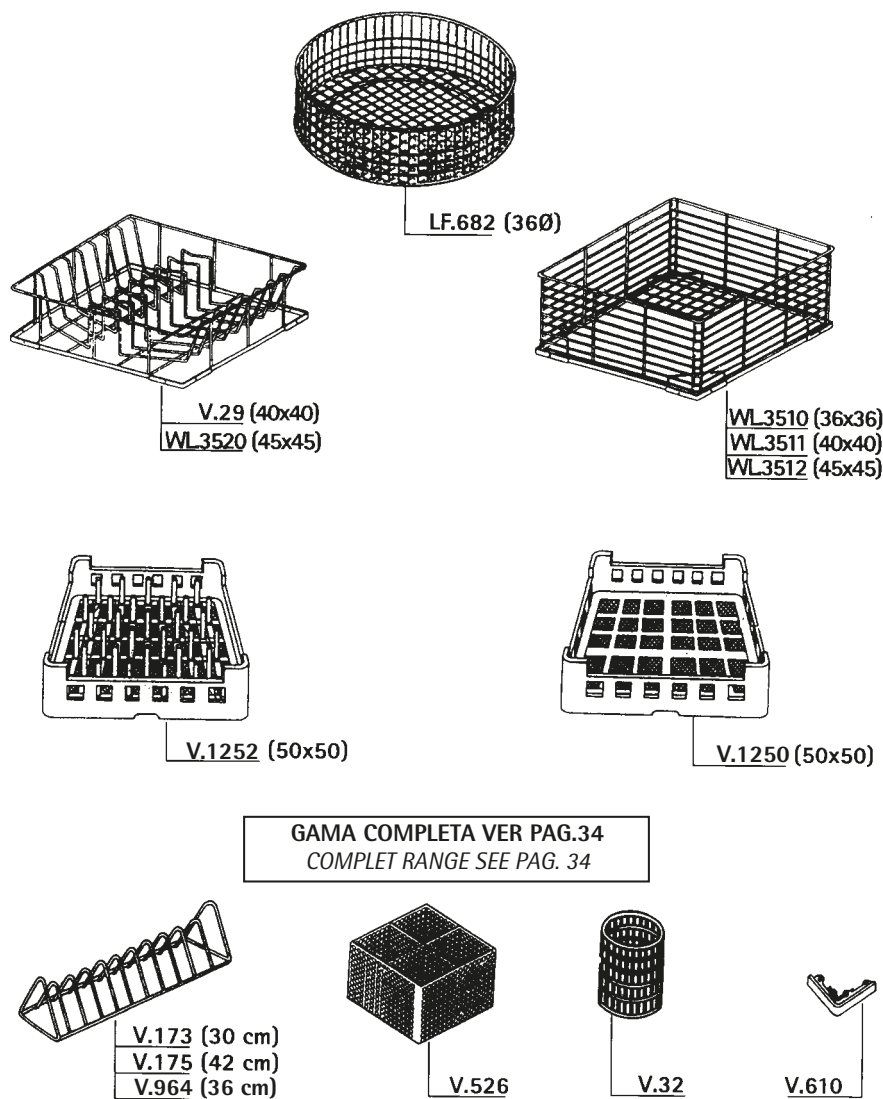
REF.	DESCRIPCIÓN	DESCRIPTION
BF.86	TORICA GOMA	RUBBER RING
CL.304	SOBRENIVEL	OVERFLOW
CL.306	JUNTA RESISTENCIA CUBA	TANK GASKET
CL.307	RESISTENCIA 4000W 400V	4000W 400V TANK RESIST.
CL.311	RESIST.CALD.CF1000 9000W 400V	9000W 400V CF1000 BOILER RESIS
CL.334	TORNILLO INOX	SCREW
CL.338	BRAZO LAVADO-ACLARADO	WASH-RINSE ARM
CL.361	CODO	ELBOW
CL.363	ARANDELA	WASHER
CL.364	COLECTOR INFEIOR CF1000	CF1000 LOWER COLECTOR
CL.365	DISCO	DISK
CL.366	TUERCA	NUT
CL.367	EJE FILTRO	FILTER ROD
CL.368	FILTRO CF1000	CF1000 FILTER
CL.369	JUNTA	GASKET
CL.370	JUNTA	GASKET
CL.371	TUERCA	NUT
CL.372	TUBO	PIPE
CL.373	TORNILLO	SCREW
CL.374	ARANDELA	WASHER
CL.375	RACOR DESAGÜE	DRAIN FITTING
CL.385	JUNTA COLECTOR	COLECTOR GASKET
CL.418	TUERCA	NUT
CL.419	JUNTA	GASKET
CL.420	CAMARA PRESOSTATICA	PRESSURE SWITCH
CL.422	JUNTA	GASKET
CL.423	ARANDELA	WASHER
CL.426	TUBO ACLARADO	RINSE PIPE
CL.427	EJE GIRATORIO	GIRATORY ROD
CL.428	JUNTA	GASKET
CL.429	JUNTA	GASKET
CL.430	ROMPECHORROS	SPRAY
CL.431	TAPON ROCIADOR	SPRAY COFFITING
CL.432	TAPON	COVER
CL.433	JUNTA	GASKET
CL.435	CRUZ GIRATORIO	GIRATORY CROSSHEAD
CL.436	TAPON GIRATORIO	GIRATORY COVER
CL.437	CASQUILLO	CAP
CL.441	MANGUITO	SLEEVE
CL.442	TUERCA FILTRO	FILTER NUT
CL.478	PLACA	PLATE
CL.479	TUERCA	NUT
CL.510	COLECTOR SUPERIOR	UPPER COLECTOR
CL.523	BRAZO GIRATORIO	GIRATORY ARM
CL.524	BRAZO GIRATORIO	GIRATORY ARM
CL.525	BRAZO GIRATORIO	GIRATORY ARM
FA.1032	BRIDA	CLASP
H30414	RACOR EMPALME	UNION FITTING
LB.170	ABRAZADERA 40-60	40-60 CLAMP
V....5	TUBO GOMA 10X16 20 ATM	20ATM 10X17 RUBBER PIPE
V..62	ABRAZADERA 12-20	12-20 CLAMP
V..63	ABRAZADERA 20-32	20-35 CLAMP
V.132	ELECTROVAL.1 VIA LAV.220V	WASH 1 WAY 220V SOLENOID
V.415	FLEXIBLE 1,5MT	1,5MT FLEXIBLE
V.448	TUBO PRESOSTATO-METRO 4X6	4X6 PRE-SWITCH INLET PIPE
V.546	JUNTA GOMA 3/4	WATER INLET RUBBER GASKET
V.815	FLEXIBLE 2 MT	2 MT FLEXIBLE
V.825	FLEXIBLE 1,5 MT ECO	1,5 MT ECO FLEXIBLE
V.848	FLEXIBLE 1,5 MT INOX	1,5 MT INOX FLEXIBLE
V.849	FLEXIBLE 2 MT INOX	2 MT INOX FLEXIBLE

REF.	DESCRIPCIÓN	DESCRIPTION
BE..68	TUERCA TAPA CALDERA	BOILER LID NUT
CL...5	TERMOSTATO 85°	85° THERMOSTAT
CL...16	FUNDA PILOTO LUMINOSO	WATERTIGHTNESS COVER
CL...17	MANDO PROGRAMADOR	TIMER HANDLE
CL.122	PILOTO BLANCO 230V	230V WHITE WARNING LAMP
CL.124	TOPE PUERTA	DOOR STOP
CL.149	TERMOSTATO 55°	55° THERMOSTAT
CL.154	FILTRO ANTIPARASITARIO	ANTIPARASITIC FILTER
CL.313	PRESOSTATO CF1000	CF1000 PRESSURE SWITCH
CL.314	TERMOSTATO LIMITADOR	LIMITER THERMOSTAT
CL.315	TEMPORIZAD.CF1000/DS1200	CF100/DS1200 TIMER
CL.316	BOTONERA 3 PULSADORES	3 BOTTONS DOSING DEVICE
CL.319	PRESOSTATO DS1200	DS1200 PRESSURE SWITCH
CL.320	MICRO PUERTA	DOOR MICROSWITCH
CL.321	PASADOR PUERTA	DOOR PIN
CL.322	CASQUILLO PUERTA	DOOR CAP
CL.323	PLETINA PUERTA	DOOR PLATE
LAV120	DOSIFICADOR ABRILLANTADOR	RINSE AID DOSIMETER
SAE.58	ARANDELA	WASHER
V...59	DOSIFICADOR PERISTALTICO	DOSIMETER
V...75	DOSIF.PERISTALTICO REGULA	ADJUSTABLE DOSIMETER
V..448	TUBO PRESOSTATO-METRO 4X6	4X6 PRE.SWITCH INLET PIPE
V..978	FILTRO DOSIFICADOR	DOSIMETER FILTER



REF.	DESCRIPCIÓN	DESCRIPTION
BF.86	TORICA GOMA	RUBBER RING
C..187	TORICA TUBO VAPOR EPDM	STEAM PIPE RING
CA..20	JUNTA ALIMENTARIA	ALIMENTARY GASKET
CL...30	CASQUILLO GIRATORIO	REVOLVING CAP
CL...33	TUERCA CAMARA PRESOSTATIC	PRESSURE SWITCH CHAMBER NUT
CL...34	CAMARA PRESOSTATICA	PRESSURE SWITCH CHAMBER
CL..62	JUNTA RESISTENCIA GOMA	RESISTANCE RUBBER GASKET
CL..74	ARANDELA INOX	INOX WASHER
CL.129	BRAZO ACLARADO IZQ.	WASHING ARM
CL.130	TORICA CIERRE	CLOSING RING
CL.131	TAPON ARBOL LAVADO	WASHING PIPE CAP
CL.132	ESTRANGULADOR	SWIRL
CL.134	RACOR ACLARADO	WASHING FITTING
CL.141	PERNO ASPA LAVADO	WASH TREE BOLT
CL.159	CUERPO ASTA LAVADO	WASHING ARM BODY
CL.160	TORICA DE CIERRE	CLOSING RING
CL.161	TAPON ASTA LAVADO	WASHING ARM CAP
CL.162	TUERCA PLASTICO ASTA LAVADO	WASH ARM NUT
CL.173	TORICA DE CIERRE	CLOSING RING
CL.304	SOBRENIVEL	OVERFLOW
CL.306	JUNTA RESISTENCIA CUBA	TANK GASKET
CL.307	RESISTENCIA 4000W 400V	4000W 400V TANK RESIST.
CL.310	ABRAZADERA 8-12	8-12 CLAMP
CL.311	RESIST.CALD.CF1000 9000W 400V	9000W 400V CF1000 BOILER RESIS
CL.334	TORNILLO INOX	SCREW
CL.336	PLACA	PLATE
CL.338	BRAZO LAVADO-ACLARADO	WASH-RINSE ARM
CL.350	COLECTOR SUP / INF. DS-1200	DS-1200 SUO/INF COLLECTOR
CL.357	BRAZO ACLARADO DS-1200/CF1000	DS1200/CF1000 RINSE ARM
CL.358	BRAZO LAVADO CF1000/DS1200	CF1000/DS1200 WASHING ARM
CL.510	COLECTOR SUPERIOR	UPPER COLLECTOR
F.1093	ARANDELA ELASTICA	ELASTIC WASHER
G..125	TORICA GOMA EPDM	RUBBER RING
H25807	ABRAZADERA 25-40	25-40 CLAMP
LB.170	ABRAZADERA 40-60	40-60 CLAMP
RK..48	TORICA GOMA RESISTENCIA	RESISTANCE RUBBER RING
V...5	TUBO GOMA 10X16 20 ATM	20ATM 10X17 RUBBER PIPE
V...62	ABRAZADERA 12-20	12-20 CLAMP
V...68	ABRAZADERA 32-50	35-50 CLAMP
V.132	ELECTROVAL.1 VIA LAV.220V	WASH 1 WAY 220V SOLENOID
V.415	TOMA LAVADORA 1,5M	QUALITY 1.5M.INLET W.FLEX
V.448	TUBO PRESOSTATO-METRO 4X6	4X6 PRE.SWITCH INLET PIPE
V.488	TUERCA M-8	M-8 NUT
V.546	JUNTA GOMA 3/4	WATER INLET RUBBER GASKET
V.815	TOMA LAVADORA 2 METROS	2 MT.INLET WATER FLEXIBLE
V.848	TOMA LAVADORA 1.5M INOX	INOX 1.5M INLET WATER FL.
V.849	TOMA LAV.INOX 2MT.3/4X3/4	INOX 2MT.INLET WATER FLE.



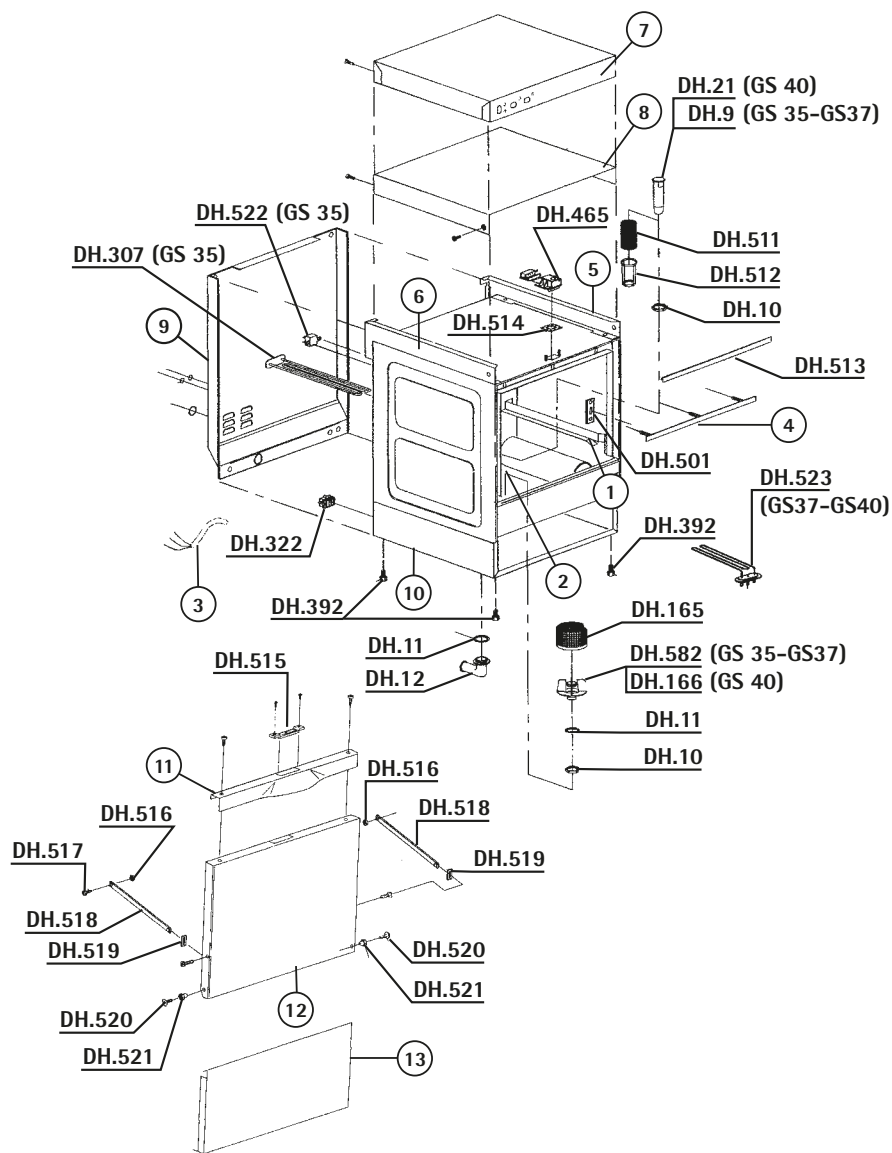


REF.	DESCRIPCIÓN	DESCRIPTION
LF.682	CESTO VASOS 36CMT	36 CM. GLASSES BASKET
V...29	CESTO CUADRO PLATOS 40x40	40X40 SQUARE PLATE BASKET
V...32	CESTO CUCHARAS PLASTICO	PLASTIC SPOON BASKET
V..173	INSERTO PLATOS 30CMT.	30CMT DISHES INSERT
V..175	INSERTO PLATOS 42CMT.	42CMT DISHES INSERT
V..526	CESTO CUCHARAS CUADRADO	SQUARE SPOON BASKET
V..610	CANTONERA CESTO CUADRADO	BASKET SQUARE CORNERPIECE
V..964	INSERTO PLATOS 36cm	36cm DISHES INSERT
V.1250	CESTA VASOS 50X50	50X50 GLASSES RACK
V.1252	CEST.PLATOS-BANDEJA 50X50	PLATES AND TRAYS RACK
WL3510	CESTO CUADRO VASOS 36x36	36X36 GLASSES BASKET
WL3511	CESTO CUADRO VASOS 40x40	40X40 GLASSES BASKET
WL3512	CESTO CUADRO VASOS 45x45	45X45 GLASSES BASKET
WL3520	CESTO CUADRO PLATOS 45x45	45X45 DISH BASKET

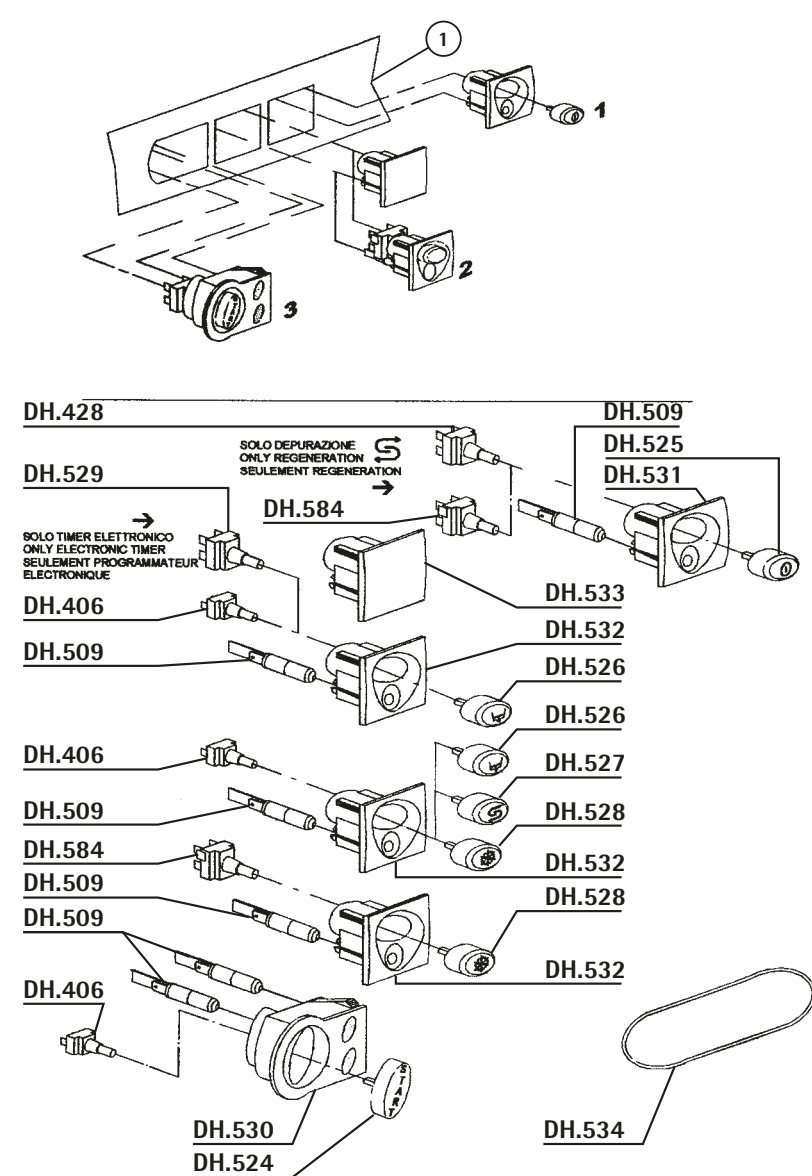
Índice DHIR index

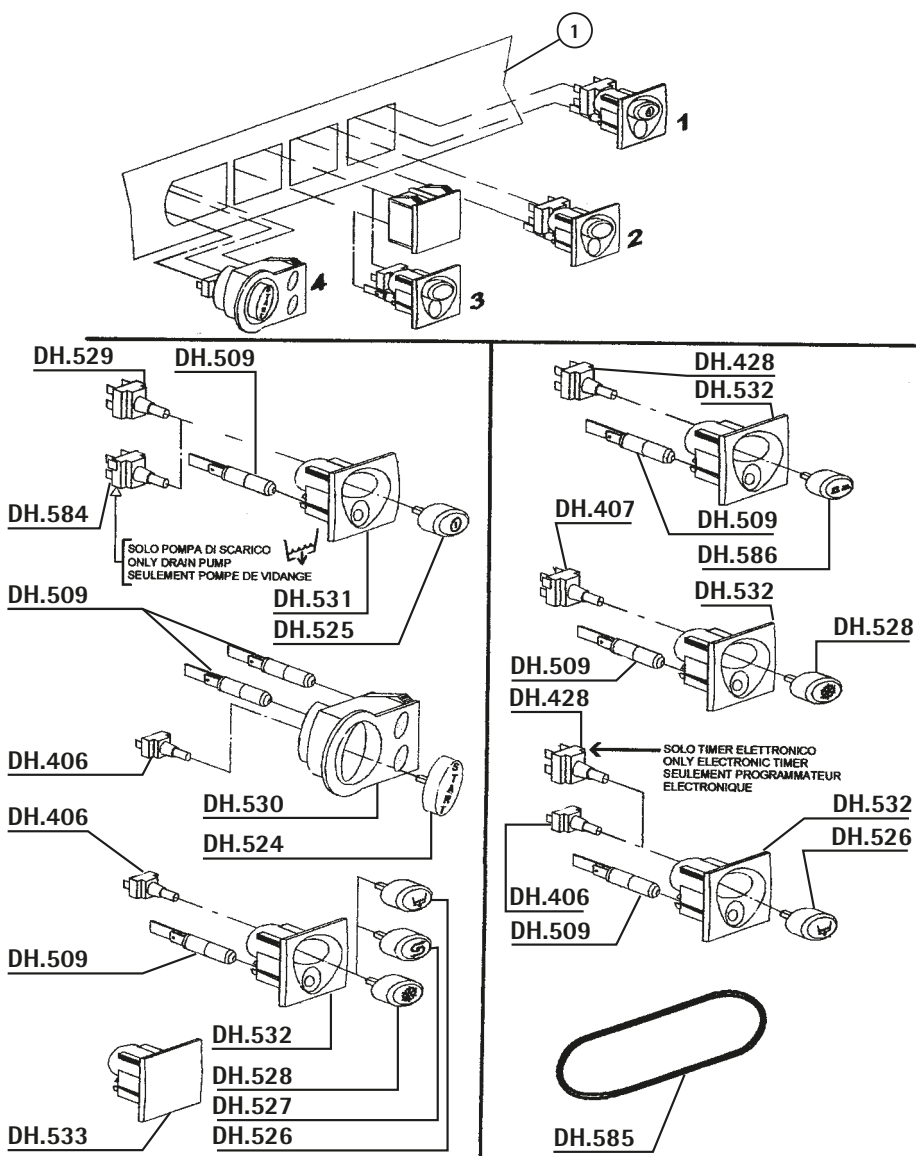
Carrocería / Puerta / Filtro / Resistencia GS35 - GS37 - GS40	GS35 - GS37 - GS40 Resistance / Filter / Door / Bodywork	619
Panel de mandos GS35- GS37	GS35 - GS37 Control panel	620
Panel de mandos GS40	GS40 Control panel	621
Calderín /Dosificador abrillantador GS37 - GS40	GS37 - GS40 Rinse aid /Boiler	622
Motores GS35 -GS37 - GS40	GS35 - GS37 - GS40 Motors	623
Motor GS37 - GS40	GS37 - GS40 Motor	624
Motor GS40 (1)	GS40 Motor (1)	625
Motor GS40 (2)	GS40 Motor (2)	626
Lavado / Aclarado GS35 - GS37	GS35 - GS37 Wash / Rinse	627
Lavado / Aclarado GS37	GS37 Wash / Rinse	628
Lavado / Aclarado GS40	GS40 Wash / Rinse	629
Lavado / Aclarado GS40	GS40 Wash / Rinse	630
Componentes eléctricos GS35 - GS37 - GS40	GS35 - GS37 - GS40 Electric components	631
Carrocería / Puerta / Filtro / Resistencias GS45 - GS50 - GS85	GS45 - GS50 - GS85 Resistances / Filter / Door / Bodywork	632
Panel de mandos GS45	GS45 Control panel	633
Panel de mandos GS50 - GS85	GS50 - GS85 Control panel	634
Panel mandos electrónico GS50	GS50 Electric control panel	635
Calderín / Resistencias / Dosificador abrillantador GS45 - GS50 - GS85	r GS45 - GS50 - GS85 Rinse aid / Resistances / Boiler	636
Motor / Presostato / Depósito GS45	GS45 Tank / Pressure switch / Motor	637
Motor / Presostato / Depósito GS50 - GS85	GS50 - GS85 Tank / Pressure Switch / Motor	638
Motor GS45 - GS50	GS45 - GS50 Motor	639
Motor GS50 - GS85	GS50 - GS85 Motor	640
Lavado / Aclarado GS45 - GS50 - GS85	GS45 - GS50 - GS85 Rinse / Wash	641
Lavado / Aclarado GS45	GS45 Rinse / Wash	642
Lavado / Aclarado GS50 - GS85	GS50 - GS85 Rinse / Wash	643
Cuadro eléctrico GS45 - GS50	GS45 - GS50 Electric panel	644
Cuadro eléctrico GS85	GS85 Electric panel	645
Filtro GS35 - GS37 - GS40 - GS45 - GS50 - GS85	GS35 - GS37 - GS40 - GS45 - GS50 - GS85 Filter	646
Componentes eléctricos GS45 - GS50 - GS85	GS45 - GS50 - GS85 Electric components	647
Carrocería / Componentes eléctricos GS100	GS100 Electric components / Bodywork	648
Lavado / Aclarado GS100	GS100 Wash / Rinse	649
Carrocería / Puerta / Filtro / Resistencia DERBY / GRAN DERBY 400	DERBY / GRAN DERBY 400 Resistance / Filter / Door / Bodywork	650
Panel de mando / Motor DERBY / GRAN DERBY 400	DERBY / GRAN DERBY 400 Control panel / Motor	651
Lavado / Aclarado DERBY / GRAN DERBY 400	DERBY / GRAN DERBY 400 Rinse / Wash	652
Componentes eléctricos DERBY / GRAN DERBY 400	DERBY / GRAN DERBY 400 Electric components	653
TURBO CF-LS	TURBO CF-LS	654-655
STAR	STAR	656-662
LINEAR	LINEAR	663-671
Serie TEKNO	TEKNO Series	672-688
Serie GASTRO	GASTRO Series	689-706
Serie DS	DS Series	707-730
SYNTHESIS	SYNTHESIS	731-737
G600	G600	738-744
Serie ELECTRON	ELECTRON Series	745-774
Componentes eléctricos / Lavado / Aclarado GS 120W	GS 120W Electric components / Wash/ Rinse	775
Lavado / Aclarado GS 120W	GS 120W Rinse / Wash	776
Serie HT	HT Series	777-794
Dosificador abrillantador	Rinse aid Dosimeters	795
Cestos	Baskets	796

REF.	DESCRIPCIÓN	DESCRIPTION
DH...9	SOBRENIVEL GS35W	GS35W OVERFLOW
DH..10	TUERCA CODO DESAGÜE	OUTLET ELBOW NUT
DH..11	JUNTA GOMA	RUBBER GASKET
DH..12	CODO DESAGÜE	DRAIN ELBOW
DH..21	SOBRENIVEL	OVERFLOW
DH.165	FILTRO MODERNO	MODERN FILTER
DH.166	SOPORTE FILTRO MODERNO	MODERN FILTER SUPPORT
DH.307	RESISTENCIA 2000W	RESISTANCE 2000W 230V
DH.322	INTERRUPTOR	SWITCH
DH.392	PATA	FOOT
DH.465	CIERRE PUERTA MODERNO	MODERN CLOSING DOOR
DH.501	CHAPA PUERTA	DOOR PLATE
DH.511	FILTRO INOX BOMBA	PUMP INOX FILTER
DH.512	TUERCA INOX FILTRO	FILTER INOX NUT
DH.513	JUNTA PUERTA	DOOR GASKET
DH.514	JUNTA CIERRA PUERTA	DOOR CLOSING GASKET
DH.515	ALOJAMIENTO CIERRE	CLOSING LODGING
DH.516	TUERCA M4 INOX	NUT M4 INOX
DH.517	TORNILLO M4x8	SCREW M4x8
DH.518	VARILLA PUERTA	DOOR ROD
DH.519	GUIA VARILLA	ROD GUIDE
DH.520	TORNILLO INOX M5x25	SCREW INOX M5x25
DH.521	TACO TORNILLO PUERTA	DOOR SCREW LODGING
DH.522	TERMOSTATO SEGURIDAD	SAFETY THERMOSTAT
DH.523	RESISTENCIA 1850W/2020W 230/24	RESISTANCE 1850W/2020W 230/240
DH.582	SOPORTE FILTRO	FILTER SUPPORT



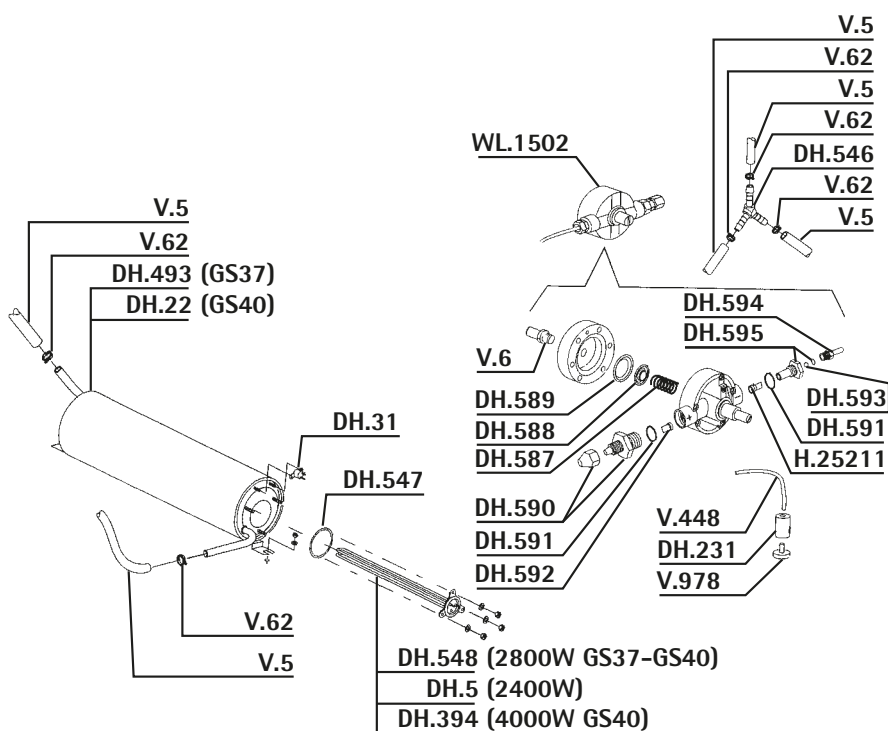
REF.	DESCRIPCIÓN	DESCRIPTION
DH.406	PULSADOR UNIPOLAR	UNIPOLAR PUSH-BUTTON
DH.428	INTERRUPTOR	SWITCH
DH.509	LAMPARA 220V	220V LAMP
DH.524	BOTON START	START BUTTON
DH.525	BOTON ON-OFF	ON-OFF BUTTON
DH.526	BOTON BOMBA VACIO	DRAIN PUMP BUTTON
DH.527	BOTON DEPURACION	PURIFIER BUTTON
DH.528	BOTON CALOR/FRIO	BUTTON HEAT/COLD
DH.529	PULSANTE BIPOLAR 16A	BIPOLAR PUSH-BUTTON 16A
DH.530	SOPORTE PULSADOR	PUSH-BUTTON SUPPORT
DH.531	SOPORTE INTERRUPTOR	SWITCH SUPPORT
DH.532	SOPORTE INTERRUPTOR	SWITCH SUPPORT
DH.533	TAPA	COVER
DH.534	JUNTA	GASKET
DH.584	CONMUTADOR BIPOLAR 16A	16A BIPOLAR SWITCH





REF.	DESCRIPCIÓN	DESCRIPTION
DH.406	PULSADOR UNIPOLAR	UNIPOLAR PUSH-BUTTON
DH.407	PULSADOR BIPOLAR	BIPOLAR PUSH-BUTTON
DH.428	INTERRUPTOR	SWITCH
DH.509	LAMPARA 220V	220V LAMP
DH.524	BOTON START	START BUTTON
DH.525	BOTON ON-OFF	ON-OFF BUTTON
DH.526	BOTON BOMBA VACIO	DRAIN PUMP BUTTON
DH.527	BOTON DEPURACION	PURIFIER BUTTON
DH.528	BOTON CALOR/FRIO	BUTTON HEAT/COLD
DH.529	PULSANTE BIPOLAR 16A	BIPOLAR PUSH-BUTTON 16A
DH.530	SOPORTE PULSADOR	PUSH-BUTTON SUPPORT
DH.531	SOPORTE INTERRUPTOR	SWITCH SUPPORT
DH.532	SOPORTE INTERRUPTOR	SWITCH SUPPORT
DH.533	TAPA	COVER
DH.584	CONMUTADOR BIPOLAR 16A	16A BIPOLAR SWITCH
DH.585	JUNTA PANEL	PANEL GASKET
DH.586	BOTON SELECTOR TIEMPO	SELECTOR TIME BUTTON

Calderín /Dosificador abrillantador GS37 - GS40 ■ GS37 - GS40 Rinse aid /Boiler



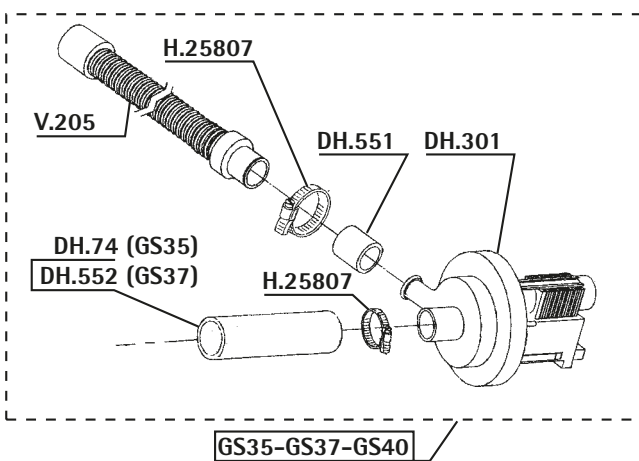
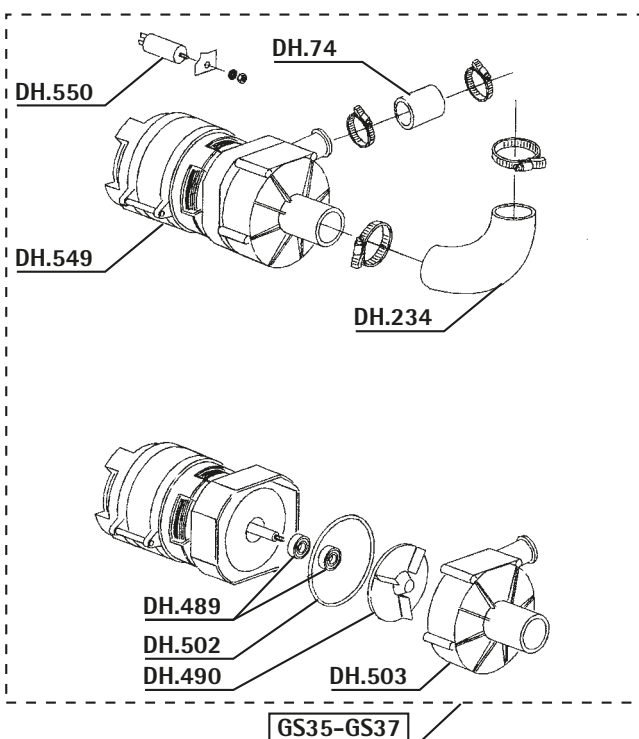
REF.	DESCRIPCIÓN	DESCRIPTION
DH...5	RESIST.CALDERIN 2400W	2400W 230V BOILER RESISTANCE
DH..22	CALDERIN GS 40W	GS 40W BOILER
DH..31	TERMOSTATO SEGURIDAD 110° C	110° C SAFETY THERMOSTAT
DH.231	PESO FILTRO	FILTER FITTING
DH.394	RESISTENC.CALDERIN 4000W	4000W BOILER RESISTANCE
DH.493	CALDERIN GS-35 MODERNO	GS-35 MODERN BOILER
DH.546	RACOR 10MM	RACCORD 10MM
DH.547	JUNTA RESISTENCIA	RESISTANCE GASKET
DH.548	RESISTENCIA 2800W 230V	RESISTANCE 2800W 230V
DH.587	MUELLE DOSIFICADOR ABRILLANTAD	RINSE AID SPRING
DH.588	DISCO MEMBRANA	MEMBRANE DISK
DH.589	MEMBRANA SILICONA	SILICONE MEMBRANE
DH.590	RACOR ASPIRACION	SUCTION FITTING
DH.591	JUNTA DOSIFICADOR ABRILLANTADO	RINSE AID DOSIMETER GASKET
DH.592	VALVULA SILICONA	SILICONE VALVE
DH.593	ESFERA TEFLON	TEFLON SPHERE
DH.594	RACOR LATON DOSIFICADOR ABRILL	RINSE AID SPRING
DH.595	GUIA VALVULA	VALVE GUIDE
H25211	VALVULA ABRILLANTADOR	VALVE
V....5	TUBO GOMA 10X16 20 ATM	20ATM 10X17 RUBBER PIPE
V....6	RACOR DOSIF.ABRILL.D=10mm	D=10mm DOSIMETER FITTING
V...62	ABRAZADERA 12-20	12-20 CLAMP
V.448	TUBO PRESOSTATO-METRO 4X6	4X6 PRE.SWITCH INLET PIPE
V.978	FILTRO DOSIFICADOR	DOSIMETER FILTER
WL1502	DOSIFICADOR ABRILLANTADOR	RINSE AID DOSIMETER

¿Tiene alguna duda? LLÁMENOS

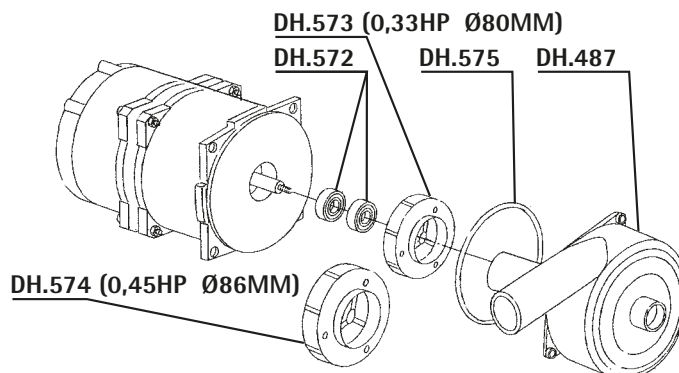
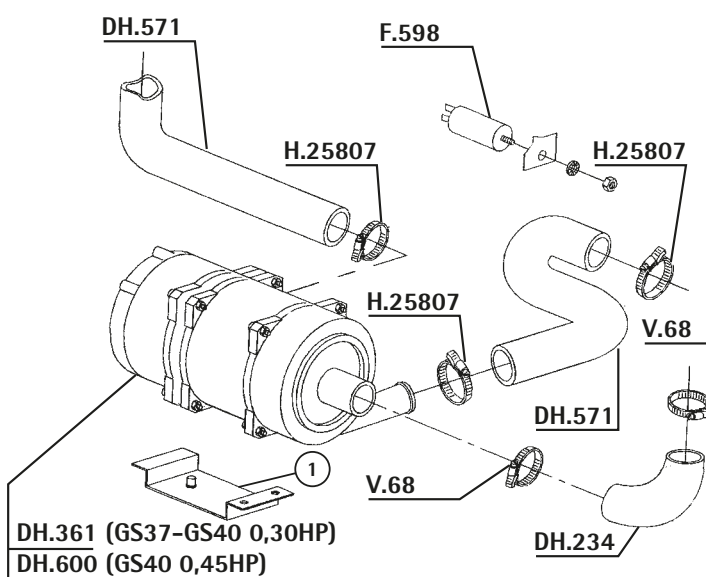


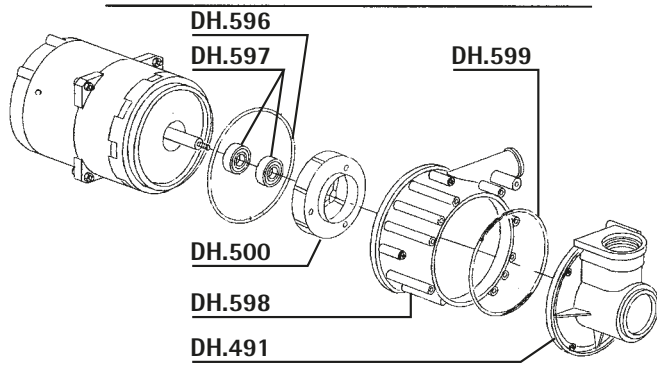
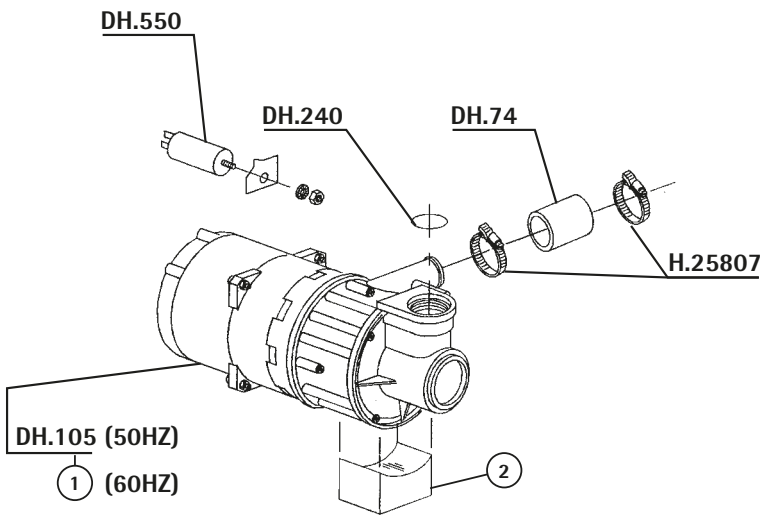
Tel: 93 377 64 11
Fax: 93 377 98 03
ascaso@ascaso.com

REF.	DESCRIPCIÓN	DESCRIPTION
DH..74	MANGUITO	SLEEVE
DH.234	MANGUITO	SLEEVE
DH.301	BOMBA DESAGÜE	OUTLET PUMP
DH.489	PRENSAESTOPA MOTOR DERBY	DERBY MOTOR MECHANICAL SEAL
DH.490	TURBINA MOTOR DERBY	DERBY MOTOR TURBINE
DH.502	JUNTA TAPA BOMA	PUMP COVER GASKET
DH.503	TAPA BOMBA	MOTOR LID
DH.549	MOTOR 0,10 HP 230V 50HZ	MOTOR 0,10HP 230V 50HZ
DH.550	CONDENSADOR 5MF 450V	5MF 450V CONDENSER
DH.551	MANGUITO	SLEEVE
DH.552	MANGUITO	SLEEVE
H25807	ABRAZADERA 25-40	25-40 CLAMP
V..205	DESAGÜE EXTENSIB.2mt.22x28mm	2mt EXTENSIBLE OUT PIPE



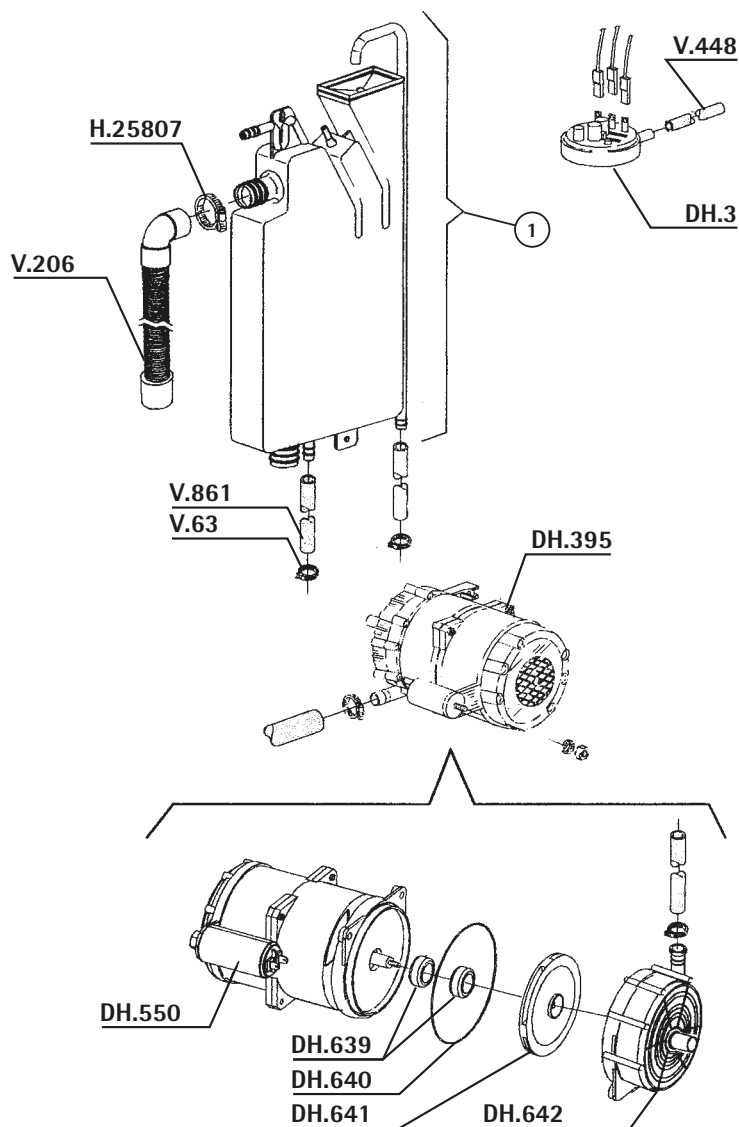
REF.	DESCRIPCIÓN	DESCRIPTION
DH.234	MANGUITO	SLEEVE
DH.361	MOTOR 0.30HP 3 VIAS	3 WAYS 0.30HP MOTOR
DH.487	TAPA MOTOR DH.361	DH.361 MOTOR LID
DH.571	TUBO	PIPE
DH.572	RETEN	MECHANICAL SEAL
DH.573	TURBINA 0,33HP 80MM	GIRATORY 0,33HP 80MM
DH.574	TURBINA 0,45HP 86MM	GIRATORY 0,45HP 86MM
DH.575	JUNTA MOTOR	MOTOR GASKET
DH.600	MOTOR GS40 0,45HP	GS40 0,45HP MOTOR
F..598	CONDENSADOR 8 MF.220V	220V 8MF CONDENSER
H25807	ABRAZADERA 25-40	25-40 CLAMP
V...68	ABRAZADERA 32-50	35-50 CLAMP





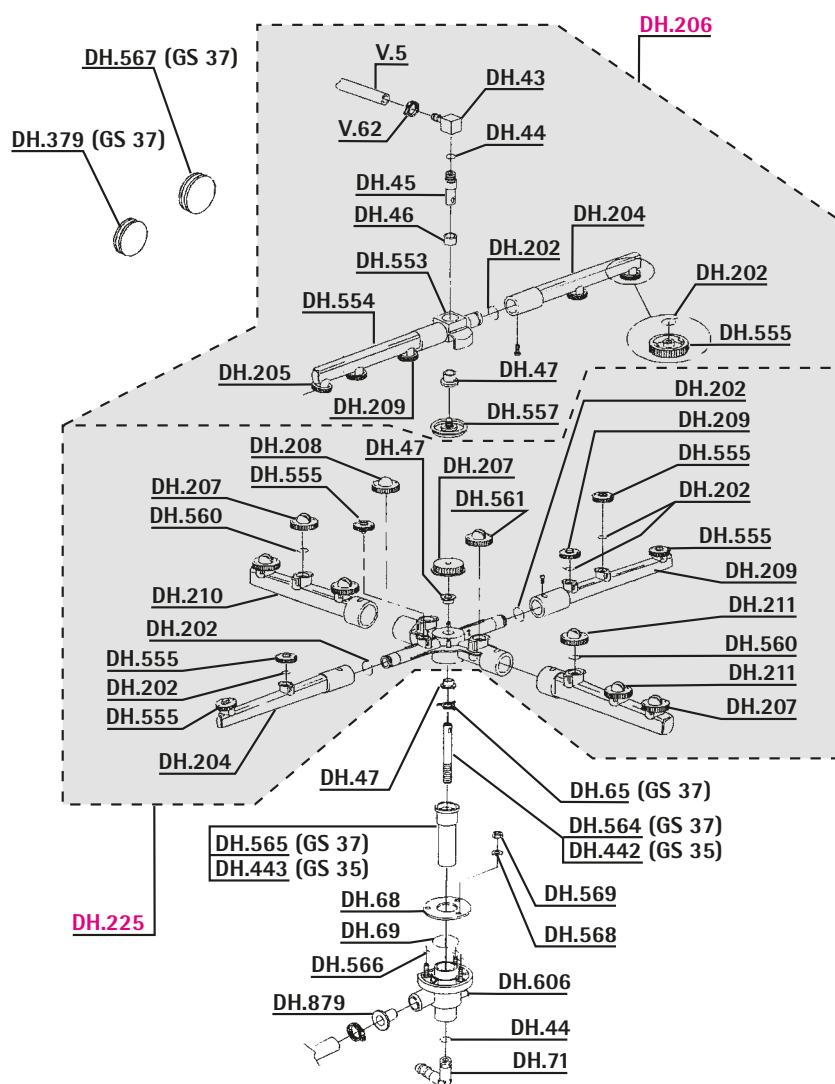
REF.	DESCRIPCIÓN	DESCRIPTION
DH..74	MANGUITO	SLEEVE
DH.105	MOTOR 0.33 HP GS 40W	0.33 HP GS 40W MOTOR
DH.240	TORICA	RING
DH.491	TAPA MOTOR DH.105	DH.105 MOTOR LID
DH.500	TURBINA MOTOR GS-40	GS-40 PUMP TURBINE
DH.550	CONDENSADOR 5MF 450V	5MF 450V CONDENSER
DH.596	JUNTA MOTOR DH105	DH105 MOTOR GASKET
DH.597	RETEN MOTOR DH105	MOTOR MECHANICAL SEAL
DH.598	TAPA MOTOR DH105 GS40	DH105 GS40 MOTOR LID
DH.599	JUNTA TAPA MOTOR SUPERIOR DH10	DH105 UPPER MOTOR LID GASKET
H25807	ABRAZADERA 25-40	25-40 CLAMP

Motor GS40 (2) ■ GS40 Motor (2)

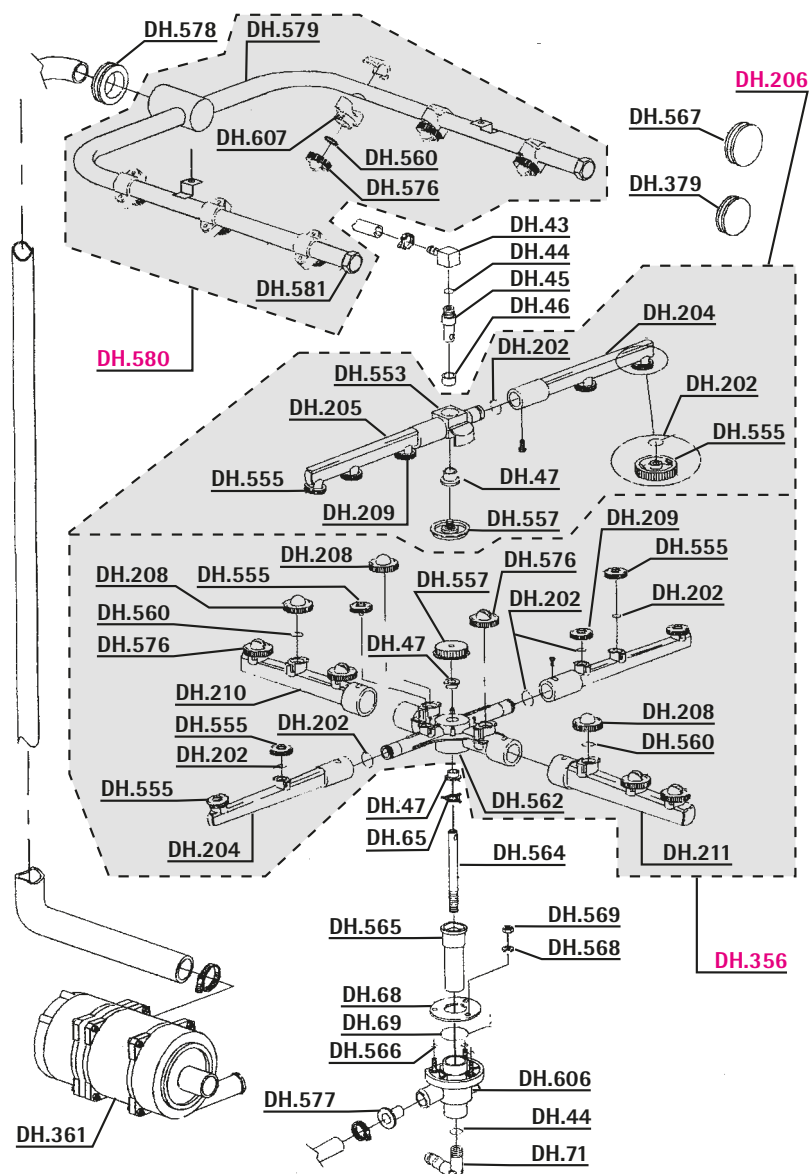


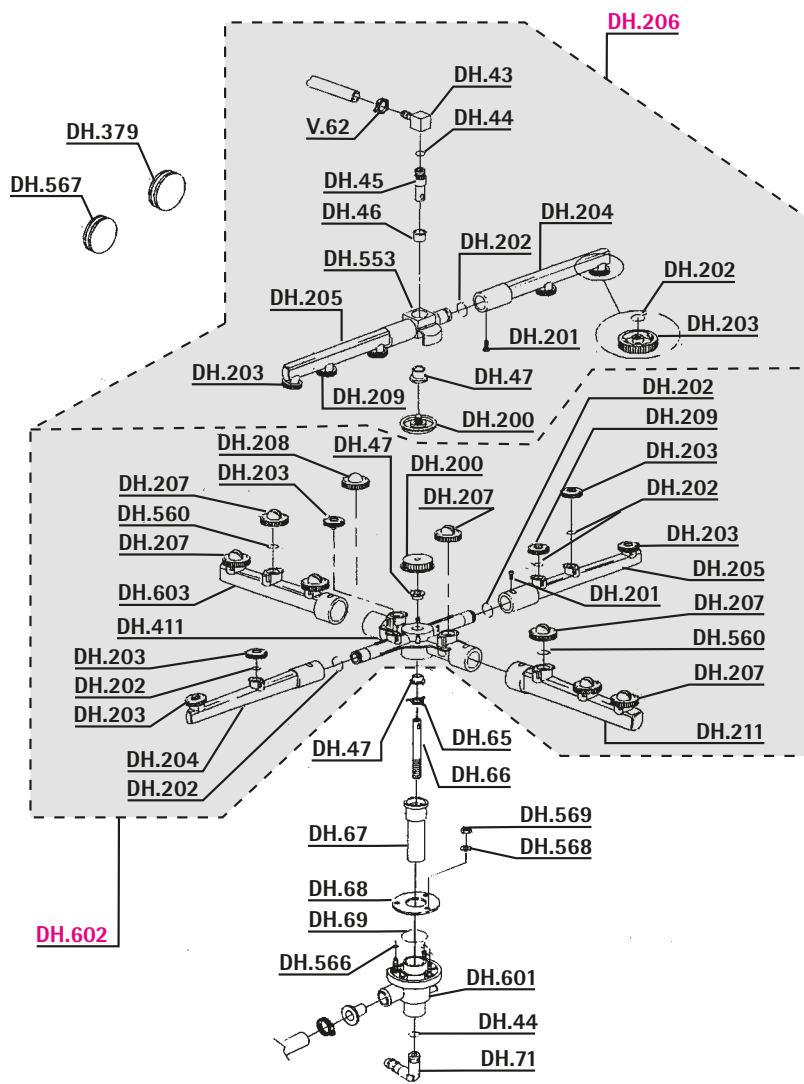
REF.	DESCRIPCIÓN	DESCRIPTION
DH...3	PRESOSTATO SAL	55/30 HORIZ.PRESS.SWITCH
DH.395	MOTOR	MOTOR
DH.550	CONDENSADOR 5MF 450V	5MF 450V CONDENSER
DH.639	RETEN MOTOR GS40	GS40 MOTOR MECHANICAL SEAL
DH.640	JUNTA MOTOR GS40	GS40 MOTOR GASKET
DH.641	TURBINA MOTOR GS40	GS40 MOTOR TURBINE
DH.642	TAPA MOTOR	MOTOR LID
H25807	ABRAZADERA 25-40	25-40 CLAMP
V...63	ABRAZADERA 20-32	20-35 CLAMP
V.206	TUBO DESAGÜE CON CODO	WITH ELBOW OUTLET PIPE
V.448	TUBO PRESOSTATO-METRO 4X6	4X6 PRE.SWITCH INLET PIPE
V.861	TUBO GOMA 12X22mm 20ATM	20ATM 12X22mm RUBBER PIPE

REF.	DESCRIPCIÓN	DESCRIPTION
DH..43	RACOR SUPERIOR ACLARADO	UPPER RINSING FITTING
DH..44	TORICA VITON	VITON RING
DH..45	EJE ARBOL ACLARADO	CLEAR ARM ROD
DH..46	ANILLO EJE	ROD RING
DH..47	CASQUILLO PLASTICO	CAP
DH..65	GUIA EJE	ROD GUIDE
DH..68	DISCO INOX	INOX DISK
DH..69	TORICA	RING
DH..71	CODO 3/8M-BOQUILLA	3/8M-HOSE STEP ELBOW
DH.202	TORICA VITON	VITON RING
DH.204	TUBO IZDO.ACLARADO SUP.	UPPER RINSE LEFT PIPE
DH.205	TUBO DRCH.ACLARADO SUP.	UPPER RIGHT RINSE PIPE
DH.206	ASTA ACLARADO SUPERIOR	UPPER RINSE ARM
DH.207	ROCIADOR LAVADO	WASHING SPRAY
DH.208	ROCIADOR LAVADO CIEGO	BLIND WASHING SPRAY
DH.209	ROCIADOR ACLARADO CIEGO	BLIND RINSE SPRAY
DH.210	TUBO LAVADO DERECHO	WASHING RIGHT PIPE
DH.211	TUBO LAVADO IZQUIERDO	WASHING LEFT PIPE
DH.225	ARB.LAV/ACLARADO INF.MOD	LOWER MOD.WASH/RINSE ARM
DH.379	JUNTA GOMA	RUBBER GASKET
DH.442	EJE	ROD
DH.443	SOPORTE	SUPPORT
DH.553	UNION GIRATORIO	GIRATORY JUNCTION
DH.555	ROMPECHORROS	SPRAY
DH.557	TORNILLO GIRATORIO	GIRATORY SCREW
DH.560	JUNTA DIFUSOR	SPRAY GASKET
DH.564	EJE	ROD
DH.565	SOPORTE EJE	ROD SUPPORT
DH.566	JUNTA	GASKET
DH.567	JUNTA GOMA	RUBBER GASKET
DH.568	ARANDELA M5 INOX	WASHER M5 INOX
DH.569	TUERCA M5 INOX	NUT M5 INOX
DH.606	COLECTOR INFERIOR	LOWER COLLECTOR
DH.879	CASQUILLO	CAP
V...5	TUBO GOMA 10X16 20 ATM	20ATM 10X17 RUBBER PIPE
V...62	ABRAZADERA 12-20	12-20 CLAMP



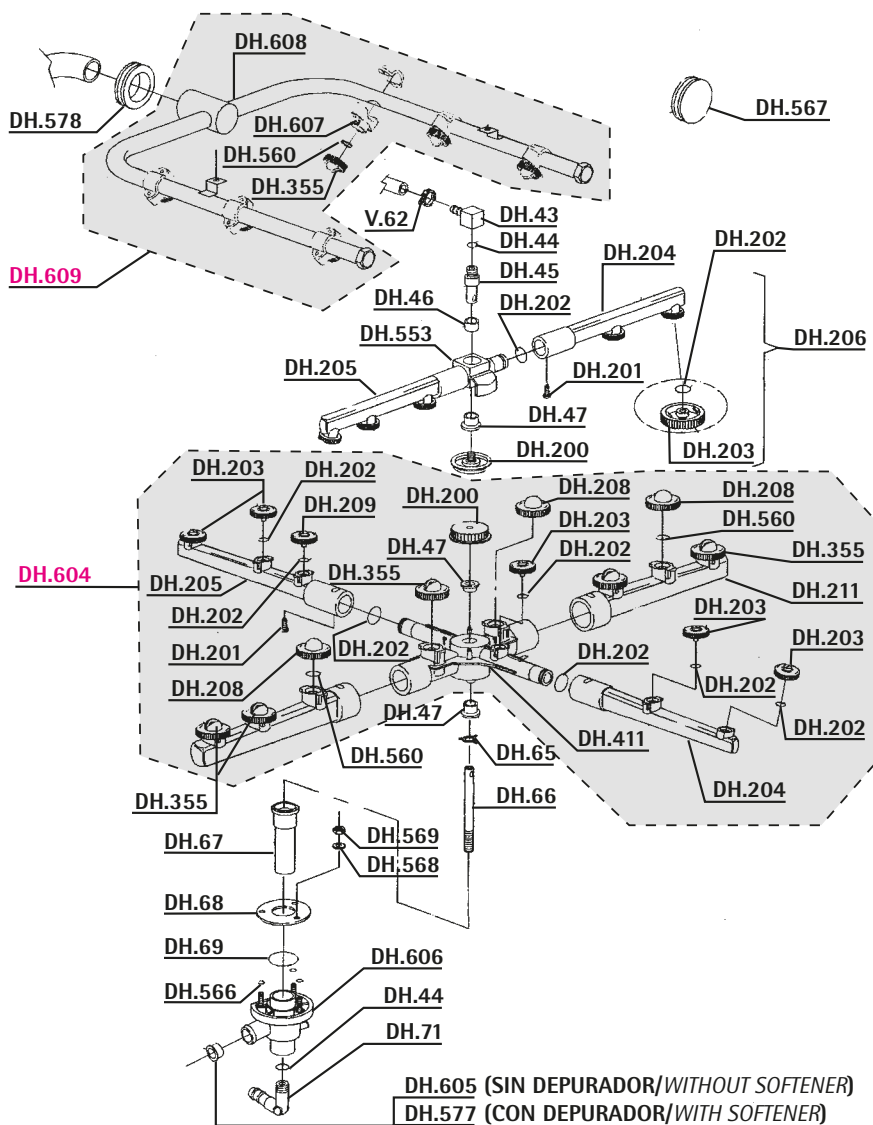
REF.	DESCRIPCIÓN	DESCRIPTION
DH..43	RACOR SUPERIOR ACLARADO	UPPER RINSING FITTING
DH..44	TORICA VITON	VITON RING
DH..45	EJE ARBOL ACLARADO	CLEAR ARM ROD
DH..46	ANILLO EJE	ROD RING
DH..47	CASQUILLO PLASTICO	CAP
DH..65	GUIA EJE	ROD GUIDE
DH..68	DISCO INOX	INOX DISK
DH..69	TORICA	RING
DH..71	CODO 3/8M-BOQUILLA	3/8M-HOSE STEP ELBOW
DH.202	TORICA VITON	VITON RING
DH.204	TUBO IZDO.ACLARADO SUP.	UPPER RINSE LEFT PIPE
DH.205	TUBO DRCH.ACLARADO SUP.	UPPER RIGHT RINSE PIPE
DH.206	ASTA ACLARADO SUPERIOR	UPPER RINSE ARM
DH.208	ROCIADOR LAVADO CIEGO	BLIND WASHING SPRAY
DH.209	ROCIADOR ACLARADO CIEGO	BLIND RINSE SPRAY
DH.210	TUBO LAVADO DERECHO	WASHING RIGHT PIPE
DH.211	TUBO LAVADO IZQUIERDO	WASHING LEFT PIPE
DH.356	ASTA LAVADO-ACLARADO INF.	LOWER WASH-RINSE ARM
DH.361	MOTOR 0.30HP 3 VIAS	3 WAYS 0.30HP MOTOR
DH.379	JUNTA GOMA	RUBBER GASKET
DH.553	UNION GIRATORIO	GIRATORY JUNCTION
DH.555	ROMPECHORROS	SPRAY
DH.557	TORNILLO GIRATORIO	GIRATORY SCREW
DH.560	JUNTA DIFUSOR	SPRAY GASKET
DH.562	CRUZ LAVADO	WASHER CROSS
DH.564	EJE	ROD
DH.565	SOPORTE EJE	ROD SUPPORT
DH.566	JUNTA	GASKET
DH.567	JUNTA	GASKET
DH.568	ARANDELA M5 INOX	WASHER M5 INOX
DH.569	TUERCA M5 INOX	NUT M5 INOX
DH.576	ROMPECHORROS	SPRAY
DH.577	CASQUILLO	CAP
DH.578	JUNTA	GASKET
DH.579	TUBO LAVADO SUPERIOR	UPPER WASH PIPE
DH.580	GRUPO LAVADO SUPERIOR	UPPER WASHER GROUP
DH.581	TAPON	LID
DH.606	COLECTOR INFERIOR	LOWER COLLECTOR
DH.607	BRIDA DIFUSOR	SPRAY CLASP





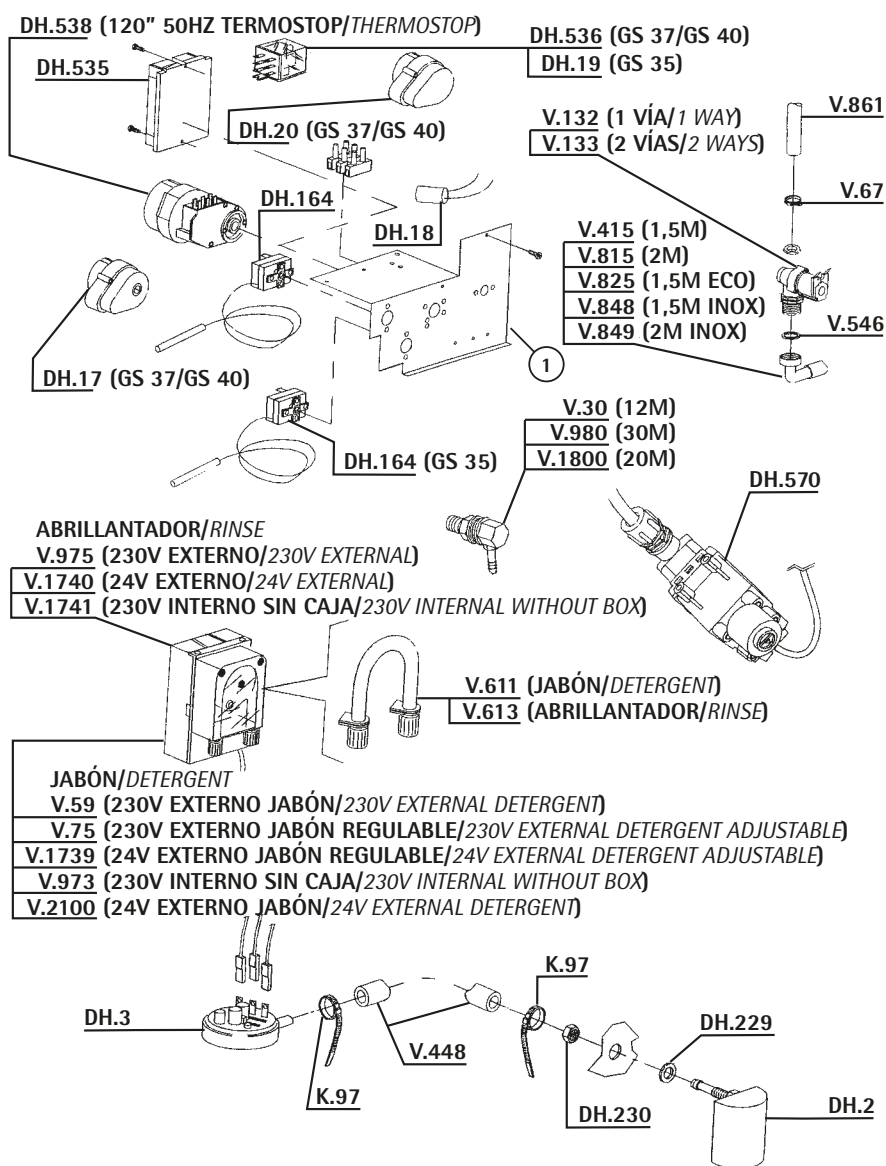
REF.	DESCRIPCIÓN	DESCRIPTION
DH..43	RACOR SUPERIOR ACLARADO	UPPER RINSING FITTING
DH..44	TORICA VITON	VITON RING
DH..45	EJE ARBOL ACLARADO	CLEAR ARM ROD
DH..46	ANILLO EJE	ROD RING
DH..47	CASQUILLO PLASTICO	CAP
DH..48	GUÍA EJE	ROD GUIDE
DH..49	EJE ARBOL LAVADO/ACLARADO	WASHING/RINSE ARM ROD
DH..50	SOPORTE EJE	ROD SUPPORT
DH..51	DISCO INOX	INOX DISK
DH..52	TORICA	RING
DH..53	CODO 3/8M-BOQUILLA	3/8M-HOSE STEP ELBOW
DH.200	FIJACION ACLARADO SUP.	UPPER RINSE FIRMNESS
DH.201	TORNILLO	SCREW
DH.202	TORICA VITON	VITON RING
DH.203	ROCIADOR ACLARADO	RINSE SPRAY
DH.204	TUBO IZDO.ACLARADO SUP.	UPPER RINSE LEFT PIPE
DH.205	TUBO DRCH.ACLARADO SUP.	UPPER RIGHT RINSE PIPE
DH.206	ASTA ACLARADO SUPERIOR	UPPER RINSE ARM
DH.207	ROCIADOR LAVADO	WASHING SPRAY
DH.208	ROCIADOR LAVADO CIEGO	BLIND WASHING SPRAY
DH.209	ROCIADOR ACLARADO CIEGO	BLIND RINSE SPRAY
DH.211	TUBO LAVADO IZQUIERDO	WASHING LEFT PIPE
DH.379	JUNTA GOMA	RUBBER GASKET
DH.411	CRUCETA	CROSSHAD
DH.553	UNION GIRATORIO	GIRATORY JUNCTION
DH.560	JUNTA DIFUSOR	SPRAY GASKET
DH.566	JUNTA	GASKET
DH.567	JUNTA	GASKET
DH.568	ARANDELA M5 INOX	WASHER M5 INOX
DH.569	TUERCA M5 INOX	NUT M5 INOX
DH.601	COLECTOR INFERIOR	LOWER COLECTOR
DH.602	GIRATORIO COMPLETO GS40	GS40 COMPLETE GIRATORY
DH.603	TUBO DERECHO LAVADO GS40	GS40 RIGHT WASHER PIPE
V...62	ABRAZADERA 12-20	12-20 CLAMP

Lavado / Aclarado GS40 ■ GS40 Wash / Rinse

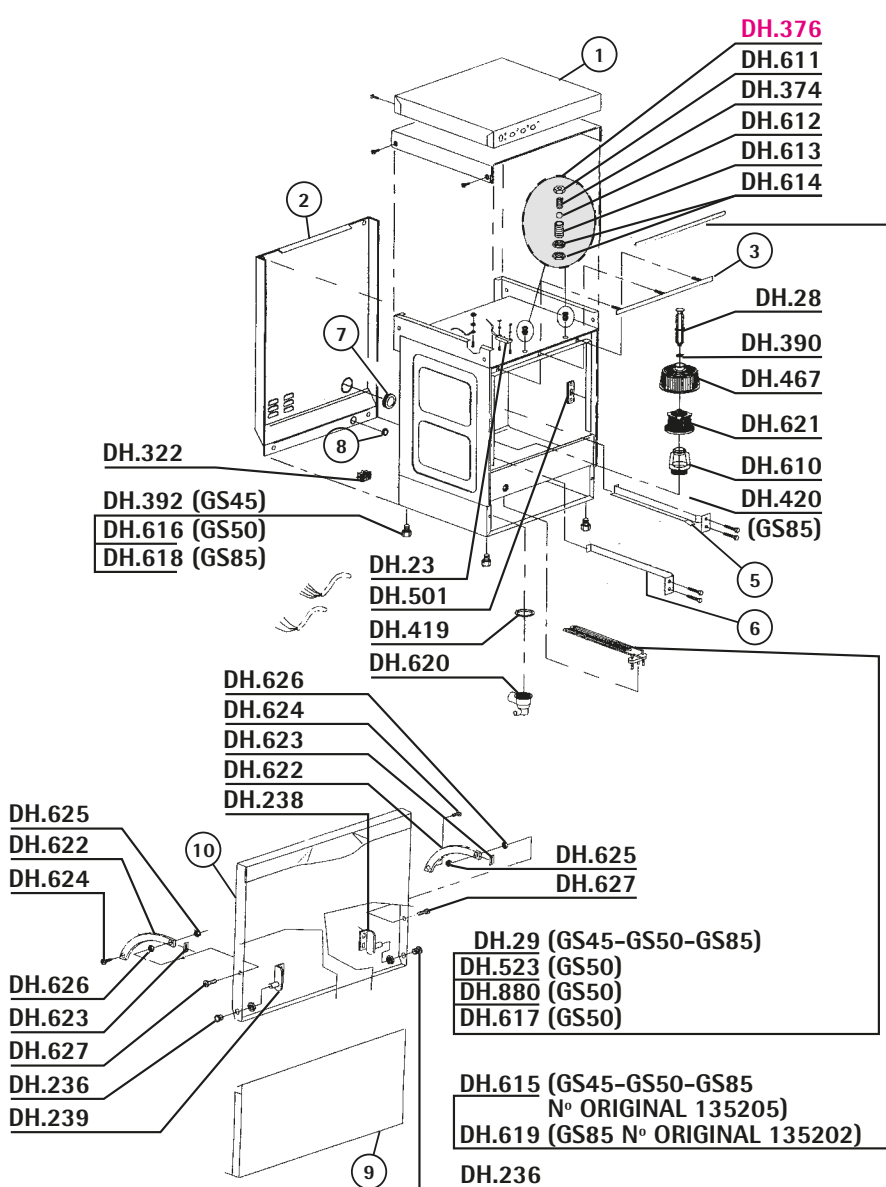


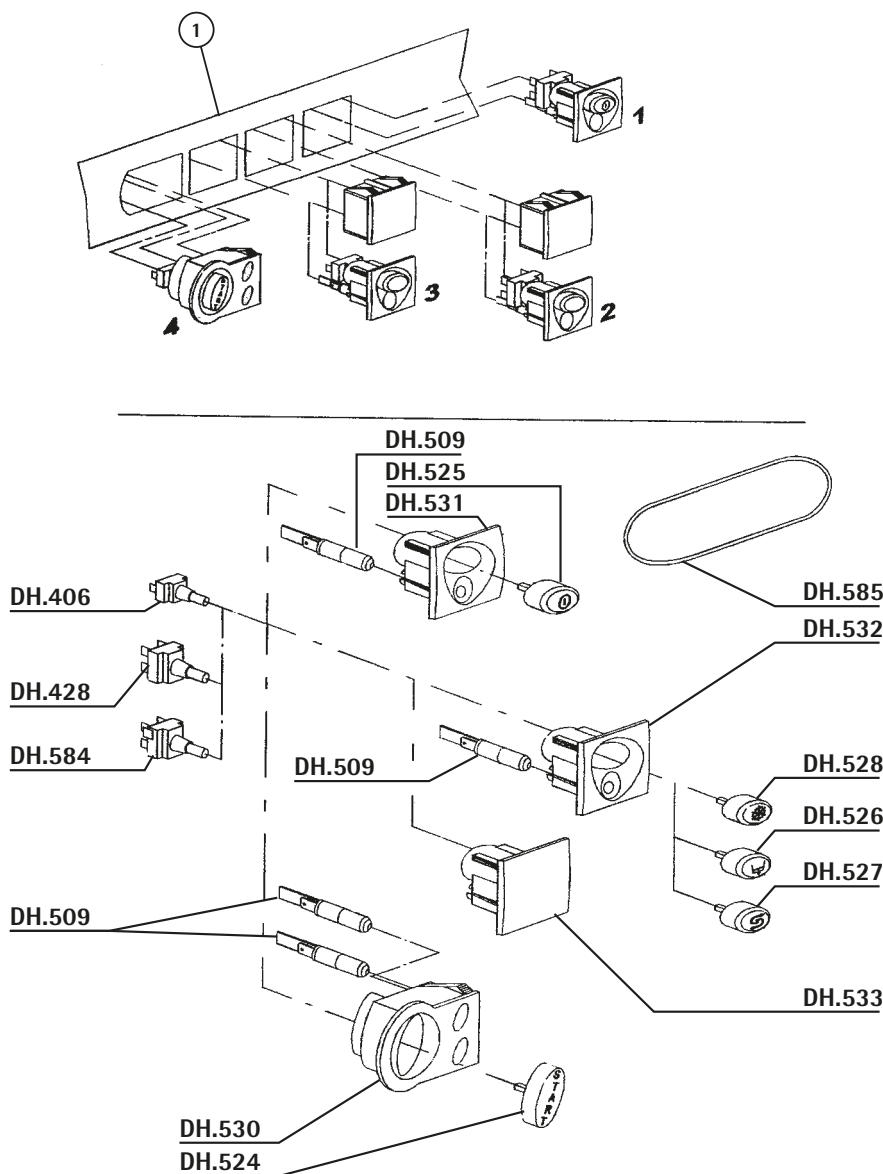
REF.	DESCRIPCIÓN	DESCRIPTION
DH..43	RACOR SUPERIOR ACLARADO	UPPER RINSING FITTING
DH..44	TORICA VITON	VITON RING
DH..45	EJE ARBOL ACLARADO	CLEAR ARM ROD
DH..46	ANILLO EJE	ROD RING
DH..47	CASQUILLO PLASTICO	CAP
DH..48	GUÍA EJE	ROD GUIDE
DH..49	EJE ARBOL LAVADO/ACLARADO	WASHING/RINSE ARM ROD
DH..50	SOPORTE EJE	ROD SUPPORT
DH..51	DISCO INOX	INOX DISK
DH..52	TORICA	RING
DH..53	CODO 3/8M-BOQUILLA	3/8M-HOSE STEP ELBOW
DH.200	FIJACION ACLARADO SUP.	UPPER RINSE FIRMNESS
DH.201	TORNILLO	SCREW
DH.202	TORICA VITON	VITON RING
DH.203	ROCIADOR ACLARADO	RINSE SPRAY
DH.204	TUBO IZDO.ACLARADO SUP.	UPPER RINSE LEFT PIPE
DH.205	TUBO DRCH.ACLARADO SUP.	UPPER RIGHT RINSE PIPE
DH.206	ASTA ACLARADO SUPERIOR	UPPER RINSE ARM
DH.208	ROCIADOR LAVADO CIEGO	BLIND WASHING SPRAY
DH.209	ROCIADOR ACLARADO CIEGO	BLIND RINSE SPRAY
DH.211	TUBO LAVADO IZQUIERDO	WASHING LEFT PIPE
DH.355	ROCIADOR LAVADO	WASHING SPRAY
DH.411	CRUCETA	CROSSHAD
DH.553	UNION GIRATORIO	GIRATORY FITTING
DH.560	JUNTA DIFUSOR	SPRAY GASKET
DH.566	JUNTA	GASKET
DH.567	JUNTA	GASKET
DH.568	ARANDELA M5 INOX	WASHER M5 INOX
DH.569	TUERCA M5 INOX	NUT M5 INOX
DH.577	CASQUILLO	CAP
DH.578	JUNTA	GASKET
DH.604	GIRATORIO LAVADO COMPLETO GS40	GS40 COMPLETE WASHER GIRATORY
DH.605	CASQUILLO	CAP
DH.606	COLECTOR INFERIOR	LOWER COLECTOR
DH.607	BRIDA DIFUSOR	SPRAY CLASP
DH.608	ASTA SUPERIOR GS40	GS40 UPPER ARM
DH.609	ASTA SUPERIOR GS40 COMPLETO	GS40 COMPLETE UPPER ARM
V...62	ABRAZADERA 12-20	12-20 CLAMP

REF.	DESCRIPCIÓN	DESCRIPTION
DH...2	CAMARA PRESOSTATICA	PRESSURE SWITCH CHAMBER
DH...3	PRESOSTATO SAL	55/30 HORIZ.PRESS.SWITCH
DH..17	TEMPORIZADOR 2MICROS 150W	2TOOTH 150° TIMER
DH..18	FILTRO ANTIPARASITARIO	ANTIPARASTIC FILTER
DH..19	RELE 16A 230V	230V 16A RELAY
DH..20	TEMPORIZAD.3MICROS 18MIN.	3TOOTH 18MIN.TIMER
DH.164	TERMOSTATO 0-90°	0-90° THERMOSTAT
DH.229	JUNTA ALIMENTARIA	ALIMENTARY GASKET
DH.230	TUERCA INOX	NUT
DH.535	TIMER ELECTRONICO 3 TIEMPOS	ELECTRINIC TIMER
DH.536	RELE	RELAY
DH.538	PROGRAMADOR 50HZ CON TEMOSTOP	WITH THERMOSTOP TIMER
DH.570	DOSIFICADOR ABRILLANTADOR	RISE AND DOSSIMETER
K...97	BRIDA NYLON	5X24mm NYLON CLASP
V...30	RACOR ENTRADA JABON	INLET SOAP FITTING
V..59	DOSIFICADOR PERISTALTICO	DOSIMETER
V..67	ABRAZADERA 16-27	16-27 CLAMP
V..75	DOSIF.PERISTALTICO REGULA	ADJUSTABLE DOSIMETER
V..132	ELECTROVAL.1 VIA LAV.220V	WASH 1 WAY 220V SOLENOID
V..133	ELECTROVAL.2 VIA LAV.220V	WASH 2 WAYS 220V SOLENOID
V..415	TOMA LAVADORA 1,5M	QUALITY 1.5M.INLET W.FLEX
V..448	TUBO PRESOSTATO-METRO 4X6	4X6 PRE.SWITCH INLET PIPE
V..546	JUNTA GOMA 3/4	WATER INLET RUBBER GASKET
V..611	TUBO INTERIOR DOS.PER. JABON	INLET PIPE
V..613	TUBO INTERIOR DOS.PER.ABRILLAN	RINS.AID INSIDE PIPE
V..815	TOMA LAVADORA 2 METROS	2 MT.INLET WATER FLEXIBLE
V..825	TOMA LAVADORA 1.5 "ECO"	"ECO"1.5M INLET WA.FLEXIB
V..848	TOMA LAVADORA 1.5M INOX	INOX 1.5M INLET WATER FL.
V..849	TOMA LAV.INOX 2MT.3/4X3/4	INOX 2MT.INLET WATER FLE.
V..861	TUBO GOMA 12X22mm 20ATM	20ATM 12X22mm RUBBER PIPE
V..973	DOSIFICADOR PERISTALTICO INTER	INTERNAL PERISTALTIC DOS.
V..975	DOSIFICADOR ABRILLANTADOR EXT.	EXTERNAL RINSE DOSIMETER
V..980	RACOR ENTRADA JABON LARGO	LONG INLET FITTING
V.1739	DOSIF.PERISTAL.REGULABLE 24Vac	24Vac ADJUSTABLE DOSIMETER
V.1740	DOSIF.ABRILLAN.EXTERNO 24Vac	24Vac EXTERNAL RINSE DOSIMETER
V.1741	DOSIF.ABRILL.INTERNO 230V AC	230Vac INTERNAL RINSE DOSIMET
V.1800	RACOR ENTRADA JABON METALICO	METALIC DETER.INLET FITTING
V.2100	DOSIFICADOR PERISTAL.JABON 24V	24V SOAP DOSIMETER



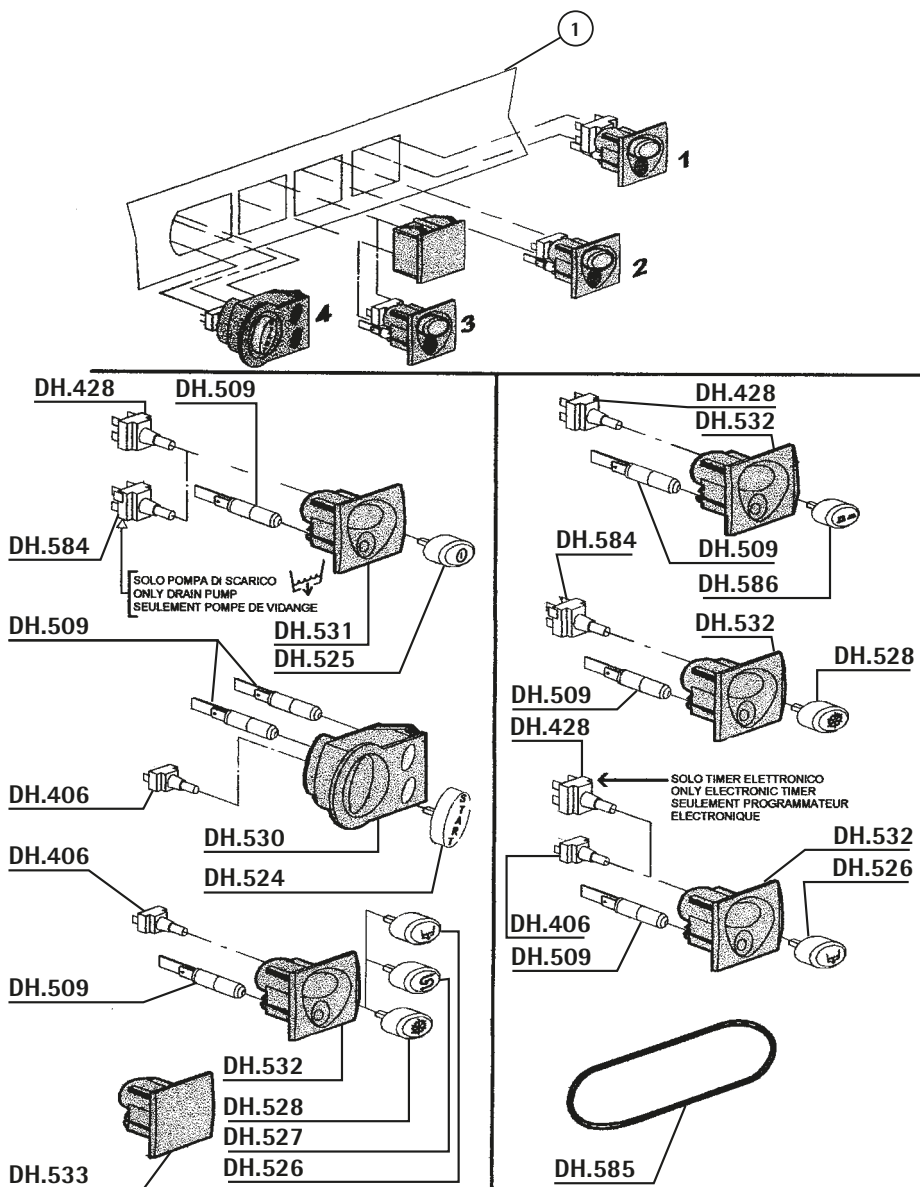
REF.	DESCRIPCIÓN	DESCRIPTION
DH..23	MICRO PUERTA	DOOR MICROSWITCH
DH..28	SOBRENIVEL GS50W	GS50W OVERFLOW
DH..29	RESIST.CUBA 2700W 230V	2700W 230V TANK RESISTANCE
DH.236	TUERCA	NUT
DH.238	SOPORTE EJE	ROD SUPPORT
DH.239	SOPORTE EJE IZQUIERDO	LEFT ROD SUPPORT
DH.322	INTERRUPTOR	SWITCH
DH.374	MUELLE	SPRING
DH.376	CIERRE PUERTA	CLOSING DOOR
DH.390	COLLARIN GOMA	RUBBER GASKET
DH.392	PATA	FOOT
DH.419	JUNTA GOMA	RUBBER GASKET
DH.420	BASE FILTRO	FILTER BASE
DH.467	FILTRO	FILTER
DH.501	CHAPA PUERTA	DOOR PLATE
DH.523	RESISTENCIA 1850W/2020W 230/24	RESISTANCE 1850W/2020W 230/240
DH.610	BASE FILTRO GS45	GS45 FILTER BASE
DH.611	TUERCA CIERRE PUERTA	DOOR CLOSING NUT
DH.612	ESFERA CIERRE PUERTA	DOOR CLOSING SPHERE
DH.613	CUERPO CIERRE PUERTA	DOOR CLOSING BODY
DH.614	TUERCA CIERRE PUERTA	DOOR CLOSING NUT
DH.615	JUNTA PUERTA GS45	GS45 DOOR GASKET
DH.616	PATA	FOOT
DH.617	RESISTENCIA 2,5/2,72KW 230/240	RESISTANCE 2,5/2,72KW 230/240V
DH.618	PATA	FOOT
DH.619	JUNTA PUERTA	GS85 DOOR GASKET
DH.620	CODO	ELBOW
DH.621	FILTRO INTERNO	INTERNE FILTER
DH.622	VARILLA PUERTA	DOOR ROD
DH.623	GUIA VARILLA PUERTA	DOOR ROD GUIDE
DH.624	TORNILLO VARILLA PUERTA	DOOR ROD SCREW
DH.625	TUERCA AUTOBLOQUEO M6	M6 AUTOBLOCK NUT
DH.626	TUERCA VARILLA M6	ROD NUT
DH.627	TORNILLO VARILLA PUERTA	DOOR ROD NUT
DH.880	RESISTENCIA 2,7kw. 440v.	2,7kw. 440v. RESISTANCE





REF.	DESCRIPCIÓN	DESCRIPTION
DH.406	PULSADOR UNIPOLAR	UNIPOLAR PUSH-BUTTON
DH.428	INTERRUPTOR	SWITCH
DH.509	LAMPARA 220V	220V LAMP
DH.524	BOTON START	START BUTTON
DH.525	BOTON ON-OFF	ON-OFF BUTTON
DH.526	BOTON BOMBA VACIO	DRAIN PUMP BUTTON
DH.527	BOTON DEPURACION	PURIFIER BUTTON
DH.528	BOTON CALOR/FRIO	BUTTON HEAT/COLD
DH.530	SOPORTE PULSADOR	PUSH-BUTTON SUPPORT
DH.531	SOPORTE INTERRUPTOR	SWITCH SUPPORT
DH.532	SOPORTE INTERRUPTOR	SWITCH SUPPORT
DH.533	TAPA	COVER
DH.584	CONMUTADOR BIPOLAR 16A	16A BIPOLAR SWITCH
DH.585	JUNTA PANEL	PANEL GASKET

Panel de mandos GS50 - GS85 ■ GS50 - GS85 Control panel



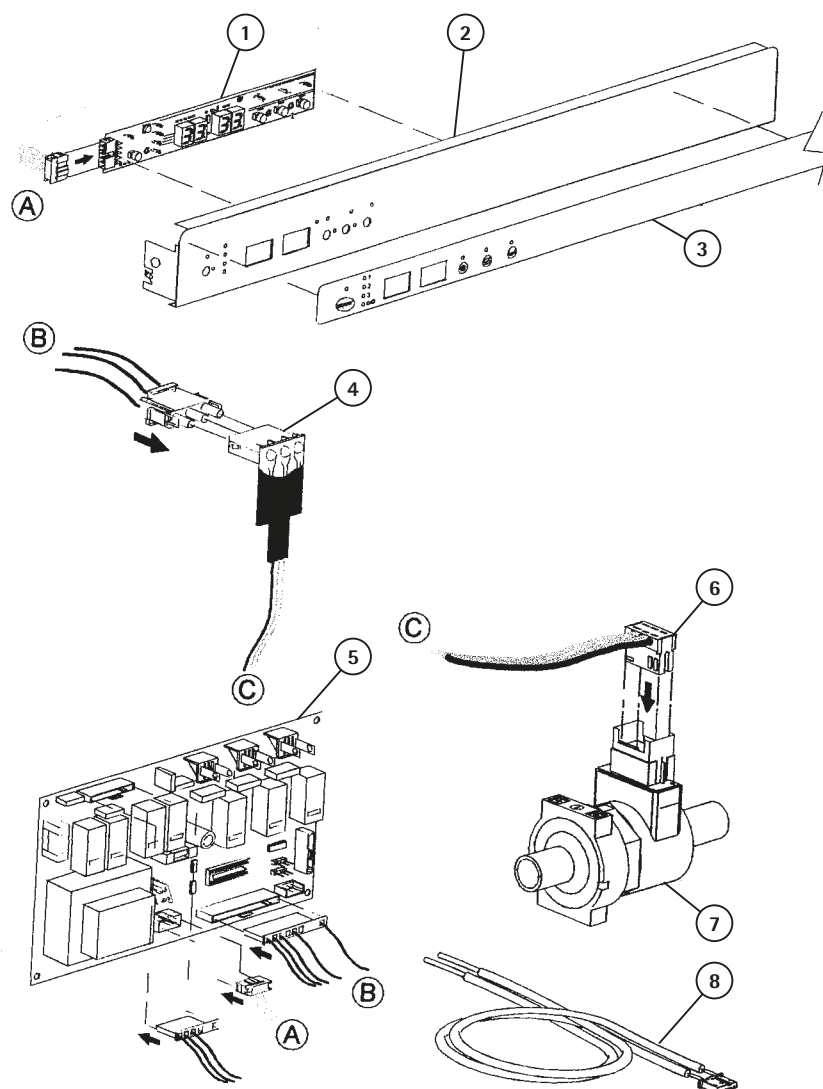
REF.	DESCRIPCIÓN	DESCRIPTION
DH.406	PULSADOR UNIPOLAR	UNIPOLAR PUSH-BUTTON
DH.428	INTERRUPTOR	SWITCH
DH.509	LAMPARA 220V	220V LAMP
DH.524	BOTON START	START BUTTON
DH.525	BOTON ON-OFF	ON-OFF BUTTON
DH.526	BOTON BOMBA VACIO	DRAIN PUMP BUTTON
DH.527	BOTON DEPURACION	PURIFIER BUTTON
DH.528	BOTON CALOR/FRIO	BUTTON HEAT/COLD
DH.530	SOPORTE PULSADOR	PUSH-BUTTON SUPPORT
DH.531	SOPORTE INTERRUPTOR	SWITCH SUPPORT
DH.532	SOPORTE INTERRUPTOR	SWITCH SUPPORT
DH.533	TAPA	COVER
DH.584	CONMUTADOR BIPOLAR 16A	16A BIPOLAR SWITCH
DH.585	JUNTA PANEL	PANEL GASKET
DH.586	BOTON SELECTOR TIEMPO	SELECTOR TIME BUTTON

The components with circle are under request. CONSULT US.

① ② ③ ...

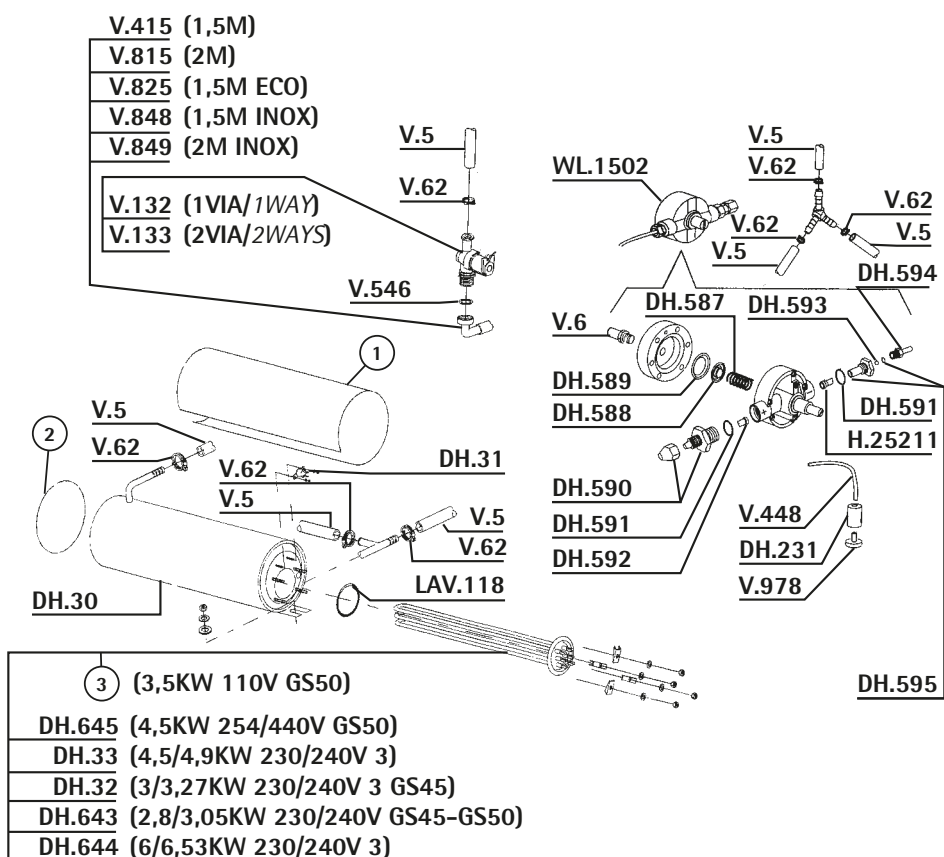


REF.	DESCRIPCIÓN	DESCRIPTION

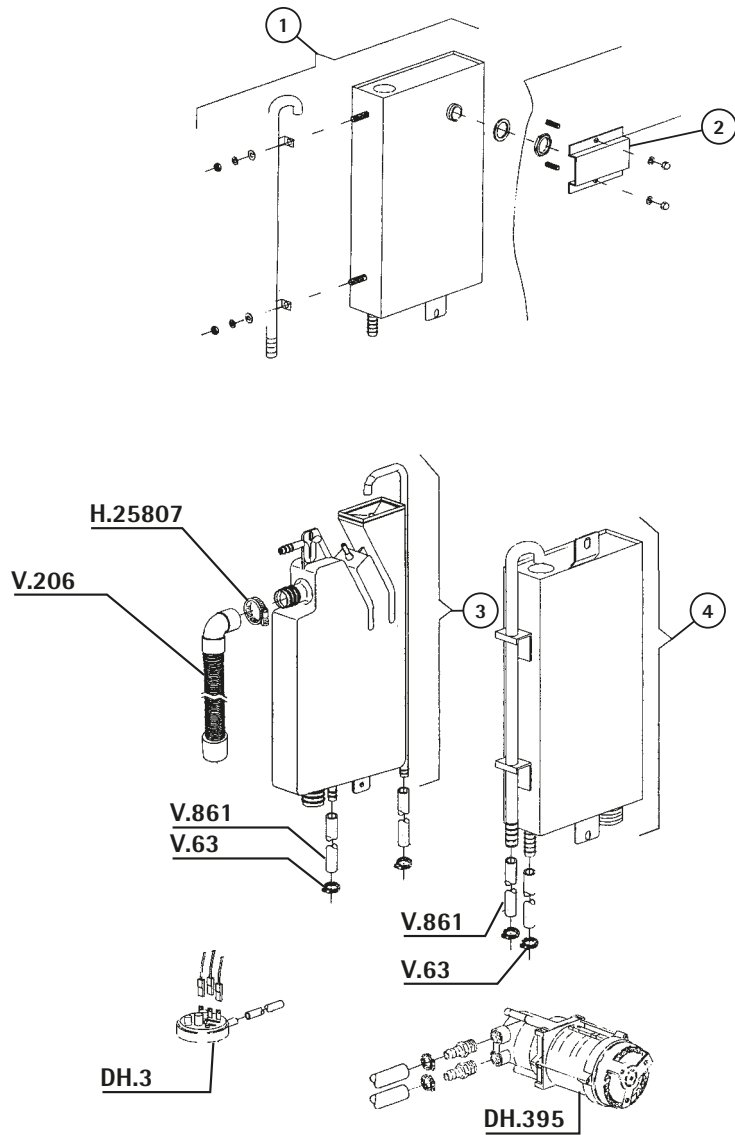


Calderín / Resistencias / Dosificador abrillantador GS45 - GS50 - GS85 ■ GS45 - GS50 - GS85 Rinse aid / Resistances / Boiler

REF.	DESCRIPCIÓN	DESCRIPTION
DH..30	CALDERIN	BOILER
DH..31	TERMOSTATO SEGURIDAD 110° C	110° C SAFETY THERMOSTAT
DH..32	RESIST.CALDERIN 3000W 230V	3000W 230V BOILER RESISTANCE
DH..33	RESIST.CALDERIN 4500W/220V	4500W BOILER RESISTANCE
DH.231	PESO FILTRO	FILTER FITTING
DH.587	MUELLE DOSIFICADOR ABRILLANTAD	RINSE AID SPRING
DH.588	DISCO MEMBRANA	MEMBRANE DISK
DH.589	MEMBRANA SILICONA	SILICONE MEMBRANE
DH.590	RACOR ASPIRACION	SUCTION FITTING
DH.591	JUNTA DOSIFICADOR ABRILLANTADO	RINSE AID DOSIMETER GASKET
DH.592	VALVULA SILICONA	SILICONE VALVE
DH.593	ESFERA TEFLON	TEFLON SPHERE
DH.594	RACOR LATON DOSIFICADOR ABRILL	RINSE AID SPRING
DH.595	GUIA VALVULA	VALVE GUIDE
DH.643	RESISTENCIA 2,8/3,05KW 230/240	RESISTANCE 2,8/3,05KW 230/240V
DH.644	RESISTENCIA 6/6,53KW 230/240V	RESISTANCE 6/6 53Kw 230/240V
DH.645	RESISTENCIA 4,5KW 254/440V	RESISTENCE 4,5KW 254/440V
H25211	VALVULA ABRILLANTADOR	VALVE
LAV118	TORICA GOMA	RING
V....5	TUBO GOMA 10X16 20 ATM	20ATM 10X17 RUBBER PIPE
V....6	RACOR DOSIF.ABRILL.D=10mm	D=10mm DOSIMETER FITTING
V...62	ABRAZADERA 12-20	12-20 CLAMP
V..132	ELECTROVAL.1 VIA LAV.220V	WASH 1 WAY 220V SOLENOID
V..133	ELECTROVAL.2 VIA LAV.220V	WASH 2 WAYS 220V SOLENOID
V..415	TOMA LAVADORA 1,5M	QUALITY 1.5M.INLET W.FLEX
V..448	TUBO PRESOSTATO-METRO 4X6	4X6 PRE.SWITCH INLET PIPE
V..546	JUNTA GOMA 3/4	WATER INLET RUBBER GASKET
V..815	TOMA LAVADORA 2 METROS	2 MT.INLET WATER FLEXIBLE
V..825	TOMA LAVADORA 1.5 "ECO"	"ECO"1.5M INLET WA.FLEXIB
V..848	TOMA LAVADORA 1.5M INOX	INOX 1.5M INLET WATER FL.
V..849	TOMA LAV.INOX 2MT.3/4X3/4	INOX 2MT.INLET WATER FLE.
V..978	FILTRO DOSIFICADOR	DOSIMETER FILTER
WL1502	DOSIFICADOR ABRILLANTADOR	RINSE AID DOSIMETER

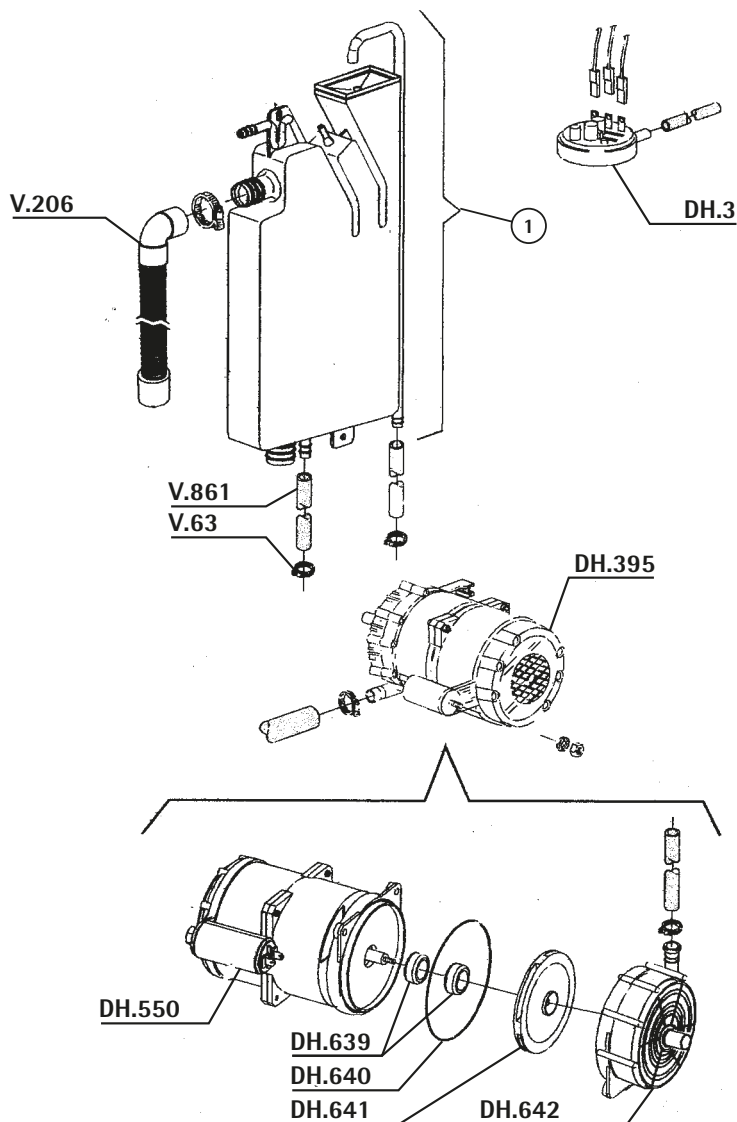


3	(3,5KW 110V GS50)
DH.645	(4,5KW 254/440V GS50)
DH.33	(4,5/4,9KW 230/240V 3)
DH.32	(3/3,27KW 230/240V 3 GS45)
DH.643	(2,8/3,05KW 230/240V GS45-GS50)
DH.644	(6/6,53KW 230/240V 3)



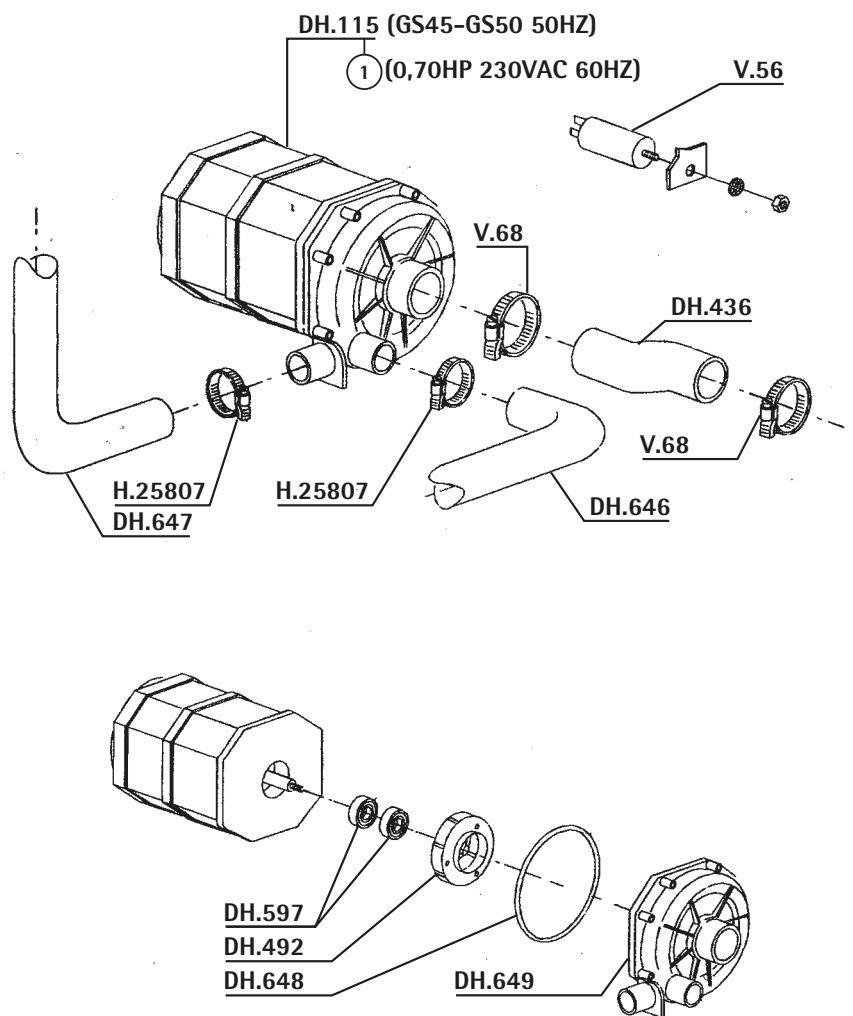
REF.	DESCRIPCIÓN	DESCRIPTION
DH...3	PRESOSTATO SAL	55/30 HORIZ.PRESS.SWITCH
DH.395	MOTOR	MOTOR
H25807	ABRAZADERA 25-40	25-40 CLAMP
V...63	ABRAZADERA 20-32	20-35 CLAMP
V.206	TUBO DESAGÜE CON CODO	WITH ELBOW OUTLET PIPE
V.861	TUBO GOMA 12X22mm 20ATM	20ATM 12X22mm RUBBER PIPE

Motor / Presostato / Depósito GS50 - GS85 ■ GS50 - GS85 Tank / Pressure Switch / Motor

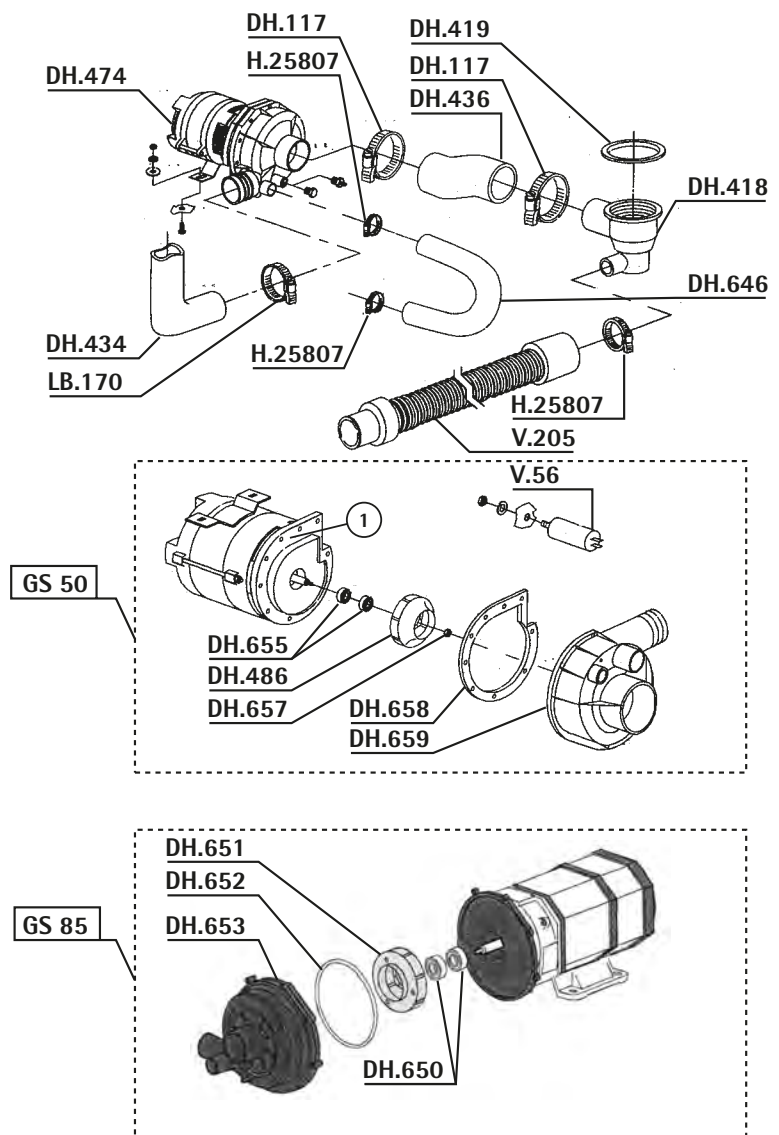


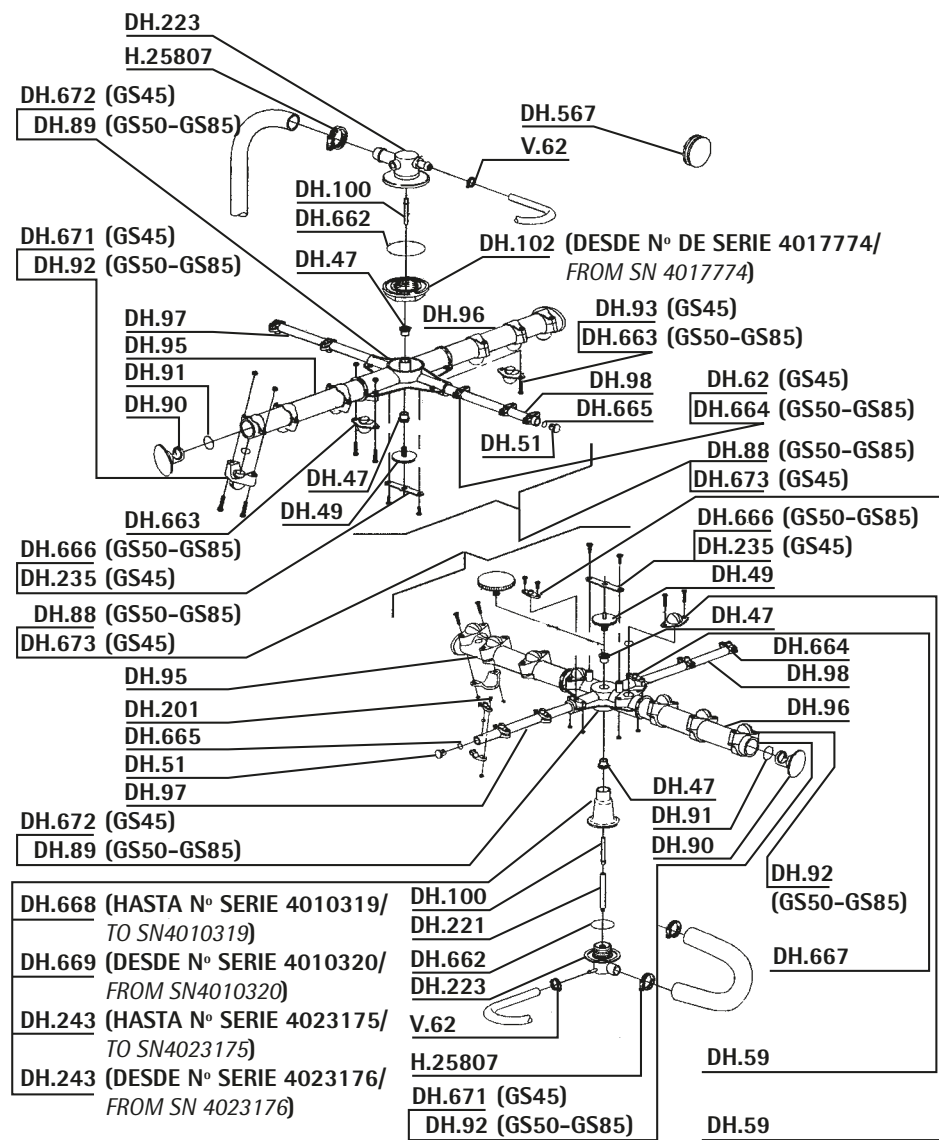
REF.	DESCRIPCIÓN	DESCRIPTION
DH...3	PRESOSTATO SAL	55/30 HORIZ.PRESS.SWITCH
DH.395	MOTOR	MOTOR
DH.550	CONDENSADOR 5MF 450V	5MF 450V CONDENSER
DH.639	RETEN MOTOR GS40	GS40 MOTOR MECHANICAL SEAL
DH.640	JUNTA MOTOR GS40	GS40 MOTOR GASKET
DH.641	TURBINA MOTOR GS40	GS40 MOTOR TURBINE
DH.642	TAPA MOTOR	MOTOR LID
V...63	ABRAZADERA 20-32	20-35 CLAMP
V.206	TUBO DESAGÜE CON CODO	WITH ELBOW OUTLET PIPE
V.861	TUBO GOMA 12X22mm 20ATM	20ATM 12X22mm RUBBER PIPE

REF.	DESCRIPCIÓN	DESCRIPTION
DH.115	MOTOR 0,7 HP GS 50W	0.7 HP GS 50W MOTOR
DH.436	MANGUITO	SLEEVE
DH.492	TURBINA MOTOR DH.115/474	DH.115/474 MOTOR TURBINE
DH.597	RETEN MOTOR DH105	MOTOR MECHANICAL SEAL
DH.646	MANGUITO ACODADO ASPIRACION	SUCTION SLEEVE ELBOWED
DH.647	MANGUITO ACODADO INFERIOR	LOWER ELBOWED SLEEVE
DH.648	JUNTA TAPA MOTOR	MOTOR LID GASKET
DH.649	TAPA MOTOR GS45	GS45 MOTOR LID
H25807	ABRAZADERA 25-40	25-40 CLAMP
V...56	CONDENSADOR 12,5 MF 220V	12,5MF 220V CONDENSER
V...68	ABRAZADERA 32-50	35-50 CLAMP



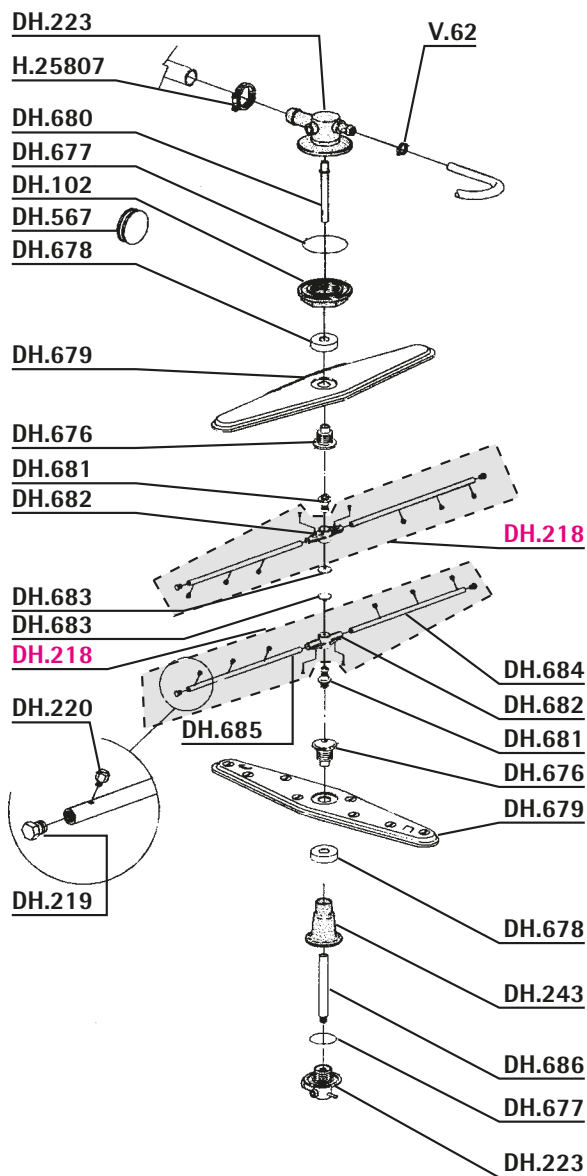
REF.	DESCRIPCIÓN	DESCRIPTION
DH.117	ABRAZADERA 46-70	46-70 CLAMP
DH.418	RACOR	FITTING
DH.419	JUNTA GOMA	RUBBER GASKET
DH.434	MANGUITO	SLEEVE
DH.436	MANGUITO	SLEEVE
DH.474	MOTOBOMBA 1,2 HP	1,2 HP WASHING PUMP
DH.486	TURBINA MOTOR DH.451/457/486	DH.451/457/486 MOTOR TURBINE
DH.646	MANGUITO ACODADO ASPIRACION	SUCTION SLEEVE ELBOWED
DH.650	RETEN MOTOR GS85	GS85 MOTOR MECHANICAL SEAL
DH.651	TURBINA BOMBA GS85	GS85 PUMP TURBINE
DH.652	JUNTA TAPA MOTOR	MOTOR LID GASKET
DH.653	TAPA MOTOR GS85	GS85 MOTOR LID
DH.655	RETEN MOTOR	MOTOR MECHANICAL SEAL
DH.657	TUERCA M6 INOX	M6 INOX NUT
DH.658	JUNTA TAPA MOTOR	MOTOR LID GASKET
DH.659	TAPA MOTOR GS50	GS50 MOTOR LID
H25807	ABRAZADERA 25-40	25-40 CLAMP
LB.170	ABRAZADERA 40-60	40-60 CLAMP
V...56	CONDENSADOR 12,5 MF 220V	12,5MF 220V CONDENSER
V..205	DESAGÜE EXTENSIB.2mt.22x28mm	2mt EXTENSIBLE OUT PIPE





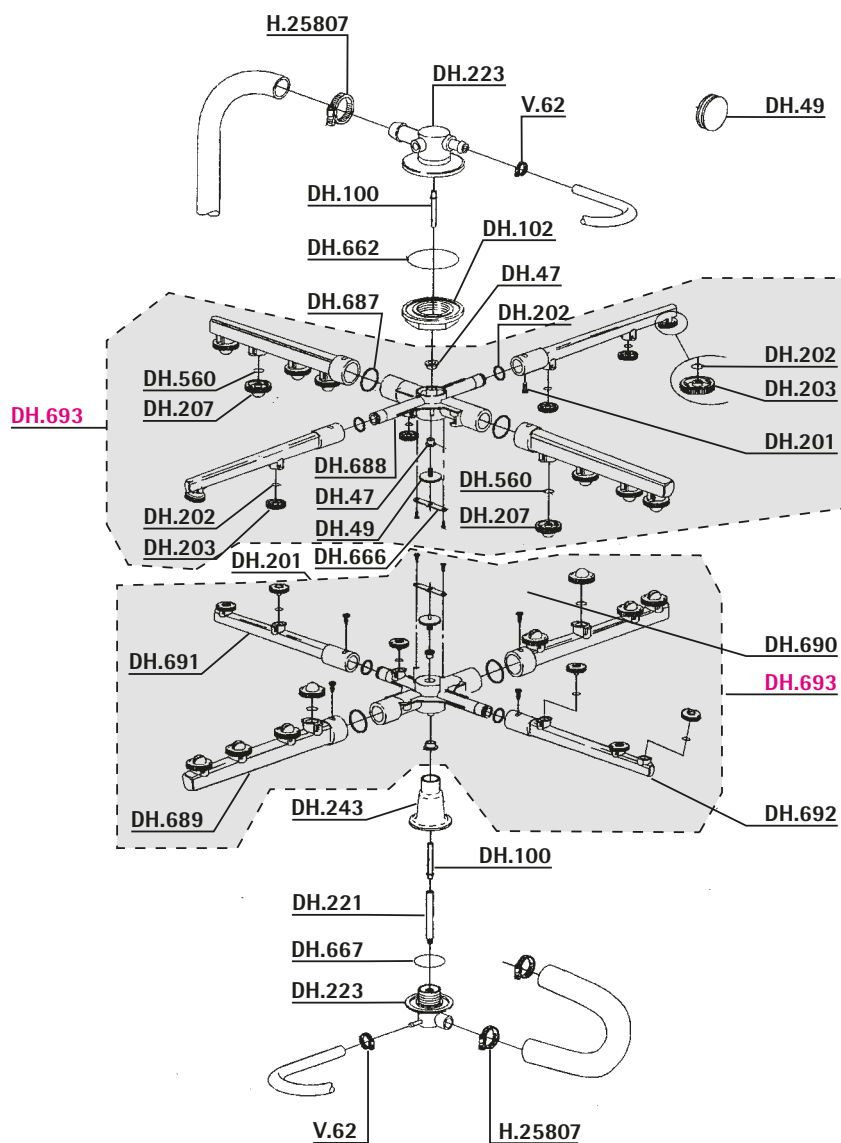
REF.	DESCRIPCIÓN	DESCRIPTION
DH..47	CASQUILLO PLASTICO	CAP
DH..49	FIJACION ARBOL LAV./ACL	WASH/RINSE TREE FIRMNESS
DH..51	TAPON TUBO ACLARADO	RINSE PIPE CAP
DH..59	ROCIADOR ACLARADO PLANO	FLAT RINSE SPRAY
DH..62	ROCIADOR ACLARADO	RINSE SPRAY
DH..88	ARBOL LAVADO ACLARADO	WASH/RINSE TREE
DH..89	CENTRAL ARBOL LAV./ACLA.	WASH/RINSE ROTOR
DH..90	TAPON TUBO LAVADO	WASH PIPE CAP
DH..91	TORICA	RING
DH..92	ROCIADOR LAVADO GRANDE	WASHING SPRAY
DH..93	ROCIADOR LAVADO GR.PLANO	FLAT WASHING SPRAY
DH..95	TUBO LAVADO IZQUIERDO	LEFT WASHING PIPE
DH..96	TUBO LAVADO DERECHO	RIGHT WASHING PIPE
DH..97	TUBO ACLARADO DERECHO	TUBE RINSE PIPE
DH..98	TUBO ACLARADO IZQUIERDO	LEFT RINSE PIPE
DH.100	EJE ACLARADO SUP./INF.	UPPER LOWER CLEAR ROD
DH.102	FIJACION RACORD SUPERIOR	UPPER FITTING FIRMNESS
DH.201	TORNILLO	SCREW
DH.221	EJE	ROD
DH.223	COLECTOR	COLLECTOR
DH.235	CLAPETA	CLIP
DH.243	DISTANCIAL	DISTANCER
DH.567	JUNTA	GASKET
DH.662	JUNTA COLECTOR INFERIOR	LOWER COLECTOR GASKET
DH.663	ROCIADOR ACLARADO	RINSE SPRAY
DH.664	ROCIADOR COMPLETO	COMPLET SPRAY
DH.665	JUNTA LATERAL	LATERAL GASKET
DH.666	PLACA GIRATORIO	GIRATORY PLATE
DH.667	ROCIADOR PLANO	PLANE SPRAY
DH.668	SOPORTE GIRATORIO INFERIOR	LOWER GIRATORY SUPPORT
DH.669	SOPORTE GIRATORIO INFERIOR	LOWER GIRATORY SUPPORT
DH.671	BRIDA INFERIOR ROCIADOR	SPRAY LOWER CLASP
DH.672	CRUCETA GIRATORIO GS45	GIRATORY CROSSHAND
DH.673	GIRATORIO COMPLETO GS45	GS45 COMPLET GIRATORY
H25807	ABRAZADERA 25-40	25-40 CLAMP
V..62	ABRAZADERA 12-20	12-20 CLAMP

Lavado / Aclarado GS45 ■ GS45 Rinse / Wash



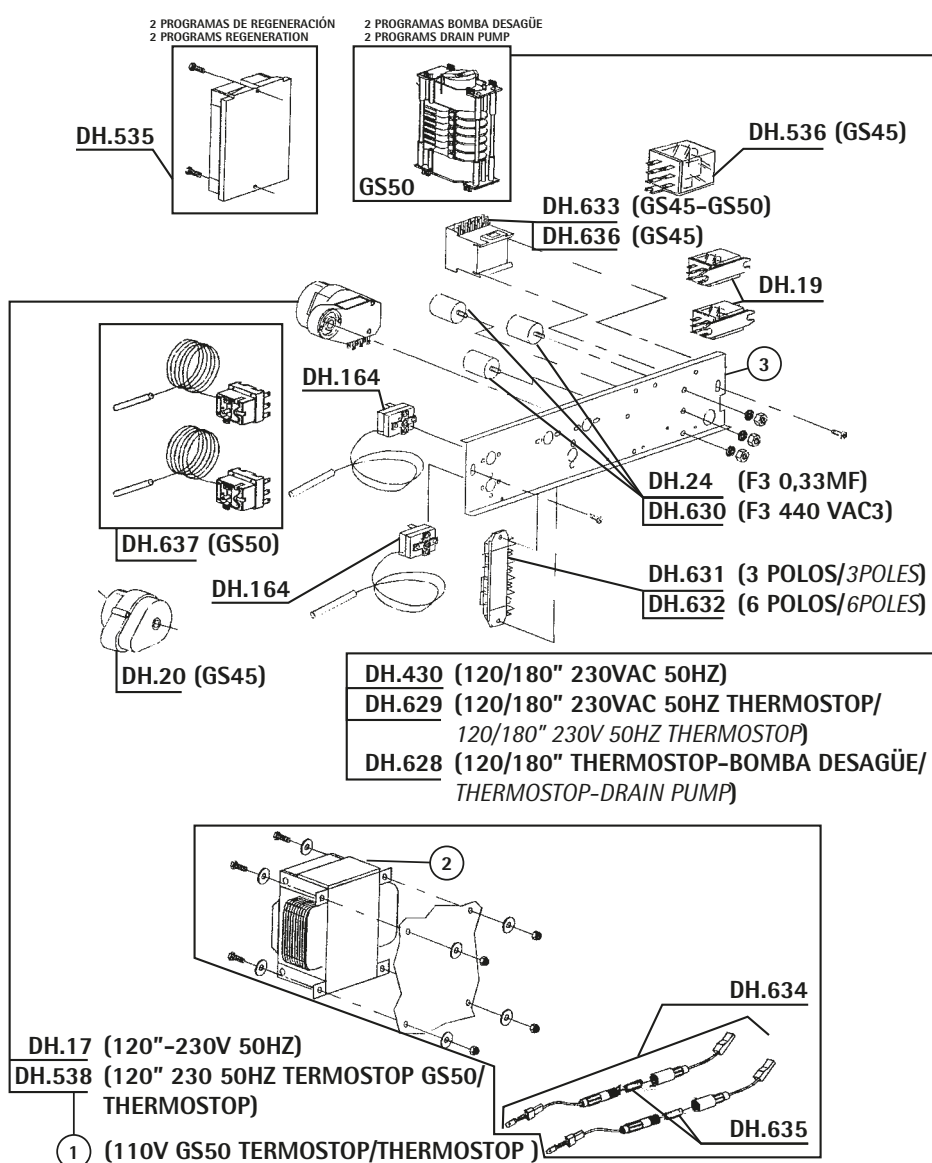
REF.	DESCRIPCIÓN	DESCRIPTION
DH.102	FIJACION RACORD SUPERIOR	UPPER FITTING FIRMNESS
DH.218	ARBOL ACLARADO	RINSE ARM
DH.219	TAPON ARBOL ACLARADO	RINSE ARM CAP
DH.220	ROCIADOR ACLARADO	RINSE SPRAY
DH.223	COLECTOR	COLLECTOR
DH.243	DISTANCIAL	DISTANCER
DH.567	JUNTA	GASKET
DH.676	TUERCA GIRATORIO INOX	INOX GIRATORY NUT
DH.677	JUNTA COLECTOR INFERIOR	LOWER COLECTOR GASKET
DH.678	TUERCA GIRATORIO INOX SUPERIOR	UPPER INOX GIRATORY NUT
DH.679	GIRATORIO LAVADO GS45	GS45 WASHER GIRATORY
DH.680	EJE SUPERIOR	UPPER ROD
DH.681	SOPORTE GIRATORIO INFERIOR	LOWER GIRATORY INFERIEUR
DH.682	UNION GIRATORIO	GIRATORY UNION
DH.683	TORNILLO GIRATORIO	GIRATORY SCREW
DH.684	BRAZO GIRATORIO DERECHO INOX	INOX RIGHT GIRATORY ARM
DH.685	BRAZO GIRATORIO IZQUIERDO INOX	INOX LEFT GIRATORY ARM
DH.686	EJE INFERIOR	LOWER ROD
H25807	ABRAZADERA 25-40	25-40 CLAMP
V..62	ABRAZADERA 12-20	12-20 CLAMP

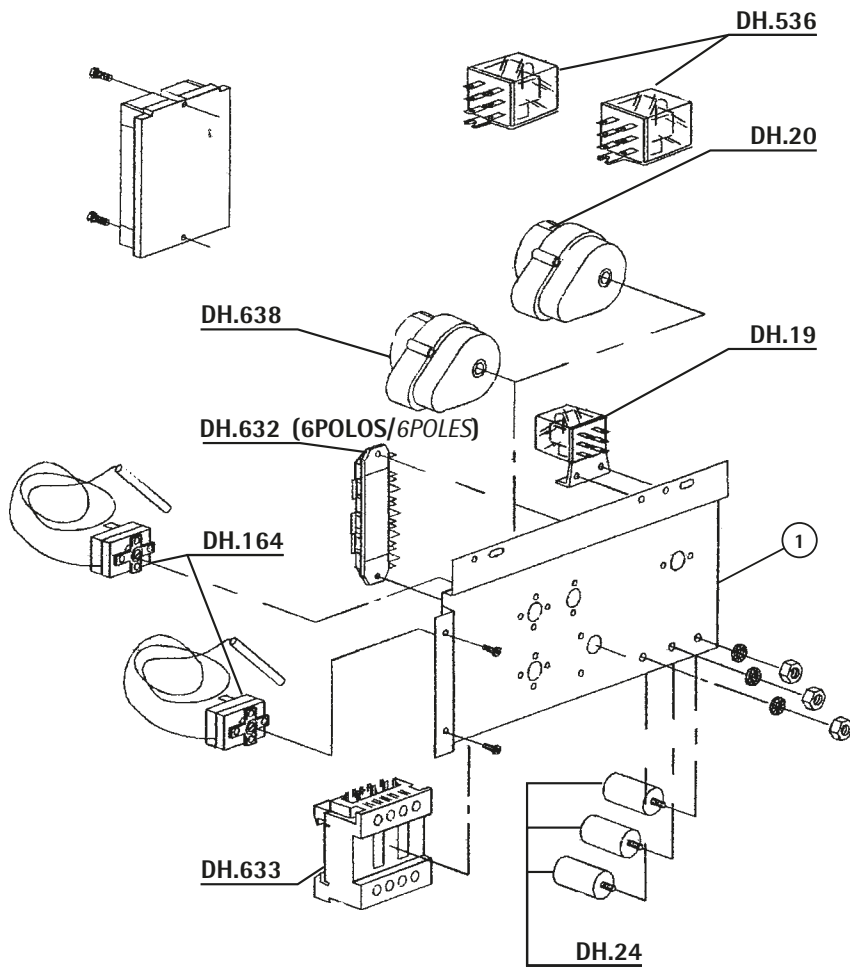
REF.	DESCRIPCIÓN	DESCRIPTION
DH..47	CASQUILLO PLASTICO	CAP
DH..49	FIJACION ARBOL LAV./ACL	WASH/RINSE TREE FIRMNESS
DH.100	EJE ACLARADO SUP./INF.	UPPER LOWER CLEAR ROD
DH.102	FIJACION RACORD SUPERIOR	UPPER FITTING FIRMNESS
DH.201	TORNILLO	SCREW
DH.202	TORICA VITON	VITON RING
DH.203	ROCIADOR ACLARADO	RINSE SPRAY
DH.207	ROCIADOR LAVADO	WASHING SPRAY
DH.221	EJE	ROD
DH.223	COLECTOR	COLLECTOR
DH.243	DISTANCIAL	DISTANCER
DH.560	JUNTA DIFUSOR	SPRAY GASKET
DH.662	JUNTA COLECTOR INFERIOR	LOWER COLECTOR GASKET
DH.666	PLACA GIRATORIO	GIRATORY PLATE
DH.667	ROCIADOR PLANO	PLANE SPRAY
DH.687	JUNTA UNION BRAZO GIRATORIO	GIRATORY ARM GASKET
DH.688	CRUZ GIRATORIO	GIRATORY CROSS
DH.689	BRAZO GIRATORIO IZQUIERDO	LEFT GIRATORY ARM
DH.690	BRAZO GIRATORIO DERECHO	RIGHT GIRATORY ARM
DH.691	TUBO ACLARADO IZQUIERDO	LEFT RINSE PIPE
DH.692	TUBO ACLARADO DERECHO	RIGHT RINSE PIPE
DH.693	BRAZO LAVADO/ACLARADO COMPLETO	GS50-GS85 COMPLET ARM RINSE/WA
H25807	ABRAZADERA 25-40	25-40 CLAMP
V..62	ABRAZADERA 12-20	12-20 CLAMP



Cuadro eléctrico GS45 - GS50 ■ GS45 - GS50 Electric panel

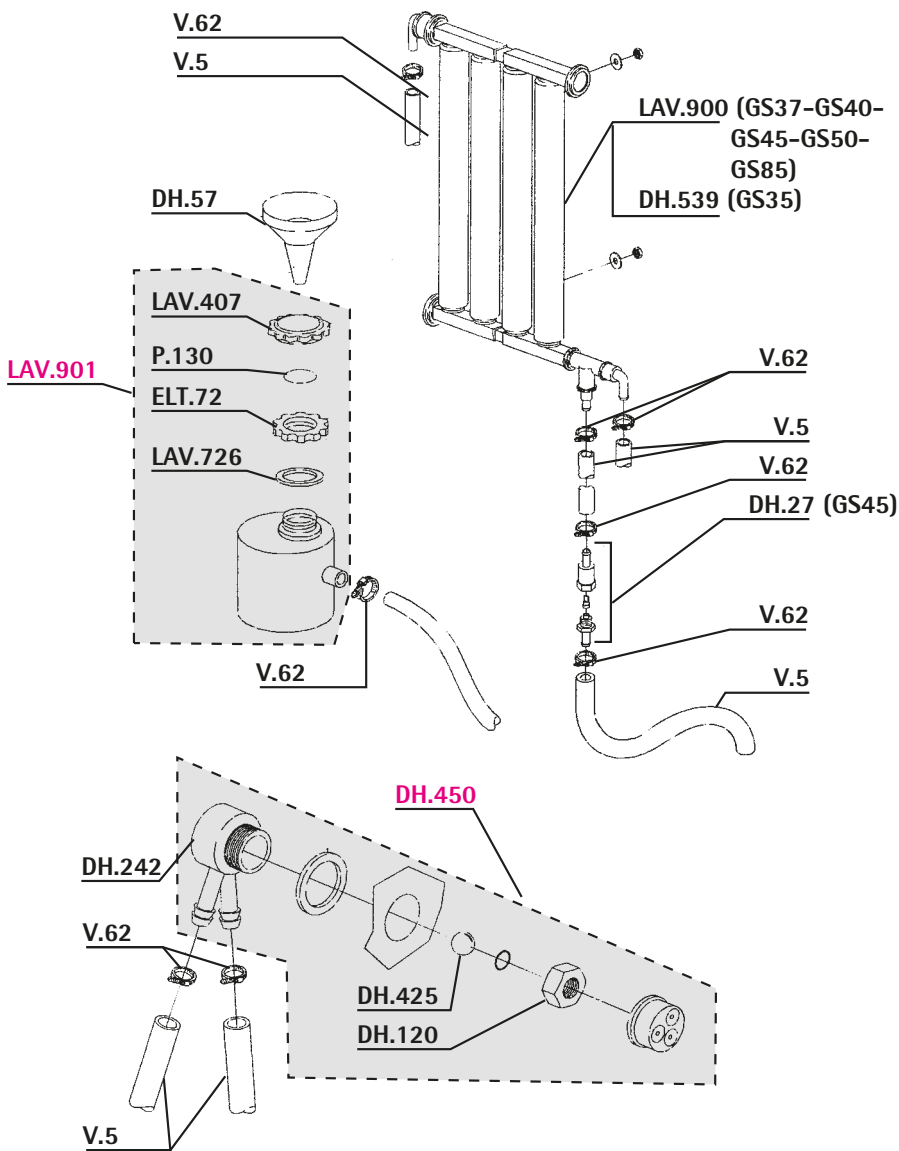
REF.	DESCRIPCIÓN	DESCRIPTION
DH..17	TEMPORIZADOR 2MICROS 150V	2TOOTH 150" TIMER
DH..19	RELE 16A 230V	230V 16A RELAY
DH..20	TEMPORIZAD.3MICROS 18MIN.	3TOOTH 18MIN.TIMER
DH..24	FILTRO ANTIPARASITARIO	ANTIPARASTIC FILTER
DH.164	TERMOSTATO 0-90°	0-90° THERMOSTAT
DH.430	PROGRAMADOR 120-180" 230V 50HZ	TIMER
DH.535	TIMER ELECTRONICO 3 TIEMPOS	ELECTRINIC TIMER
DH.536	RELE	RELAY
DH.538	PROGRAMADOR 50HZ CON TEMOSTOP	WITH THERMOSTOP TIMER
DH.628	TIMER 120"/180" TERMOSTOP-BOMB	TIMER 120"/180" THERMOSTOP-DRA
DH.629	TIMER 120"/180" 230V 50HZ TERM	TIMER 120"/180" 230V 50HZ THER
DH.630	FILTRO ANTIPARASITARIO F3 440V	F3 440V ac 3 ANTIPARASITIC FIL
DH.631	REGLETA 3 POLOS	CONNECTOR
DH.632	REGLETA 6 POLOS	CONNECTOR
DH.633	CONTACTOR 230V 50/60HZ 4C	CONTACTOR 230V 50/60HZ 4C
DH.634	PORTA FUSIBLE	FUSE HOLDER
DH.635	FUSIBLE	HOLDER
DH.636	CONTACTOR 240V 50HZ	CONTACTOR
DH.637	TERMOSTATO DE SEGURIDAD 110° C	SAFETY THERMOSTAT 110° C





REF.	DESCRIPCIÓN	DESCRIPTION
DH..19	RELE 16A 230V	230V 16A RELAY
DH..20	TEMPORIZAD.3MICROS 18MIN.	3TOOTH 18MIN.TIMER
DH..24	FILTRO ANTIPARASITARIO	ANTIPARASTIC FILTER
DH.164	TERMOSTATO 0-90°	0-90° THERMOSTAT
DH.536	RELE	RELAY
DH.632	REGLETA 6 POLOS	CONNECTOR
DH.633	CONTACTOR 230V 50/60HZ 4C	CONTACTOR 230V 50/60HZ 4C
DH.638	TIMER 90° TERMOSTOP 230V 50HZ	TIMER 90° THERMOSTOP 230V 50HZ

Filtro GS35 - GS37 - GS40 - GS45 - GS50 - GS85 ■ GS35 - GS37 - GS40 - GS45 - GS50 - GS85 Filter



REF.	DESCRIPCIÓN	DESCRIPTION
DH..27	VALVULA ANTIRETORNO	RETENTION VALVE
DH..57	TUBO ACLARADO IZQUIERDO	LEFT RINSE PIPE
DH.120	TUERCA	NUT
DH.242	RACOR	FITTING
DH.425	ESFERA TEFLON	TEFLON SPHERE
DH.450	REDUCTOR	REDUCER
DH.539	DEPURADOR 2 ELEMENTOS	2 ELEMENTS PURIFIER
ELT.72	RACOR DEPOSITO SAL	FITTING SALT CONTAINER
LAV407	TAPON DEPOSITO SAL	SALT TANK CAP
LAV726	JUNTA GOMA BOTELLA SAL	BOTTLE SALT RUBBER GASKET
LAV900	DEPURADOR LAVATAZAS	WASHING CUP PURIFIER
LAV901	DEPOSITO SAL COMPLETO	SALT CONTAINER
P.130	TORICA EPDM	RING
V...5	TUBO GOMA 10X16 20 ATM	20ATM 10X17 RUBBER PIPE
V...62	ABRAZADERA 12-20	12-20 CLAMP

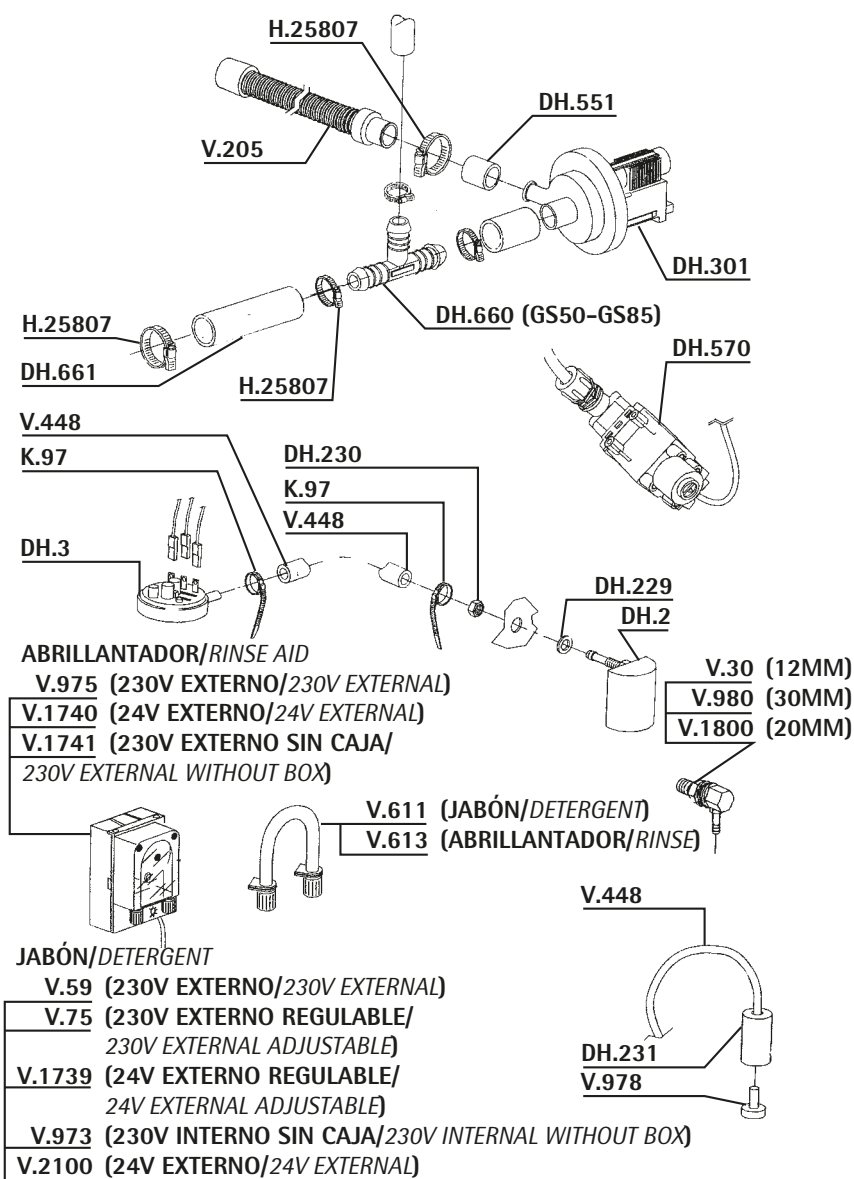
Los artículos con círculo son bajo pedido.

① ② ③ ...

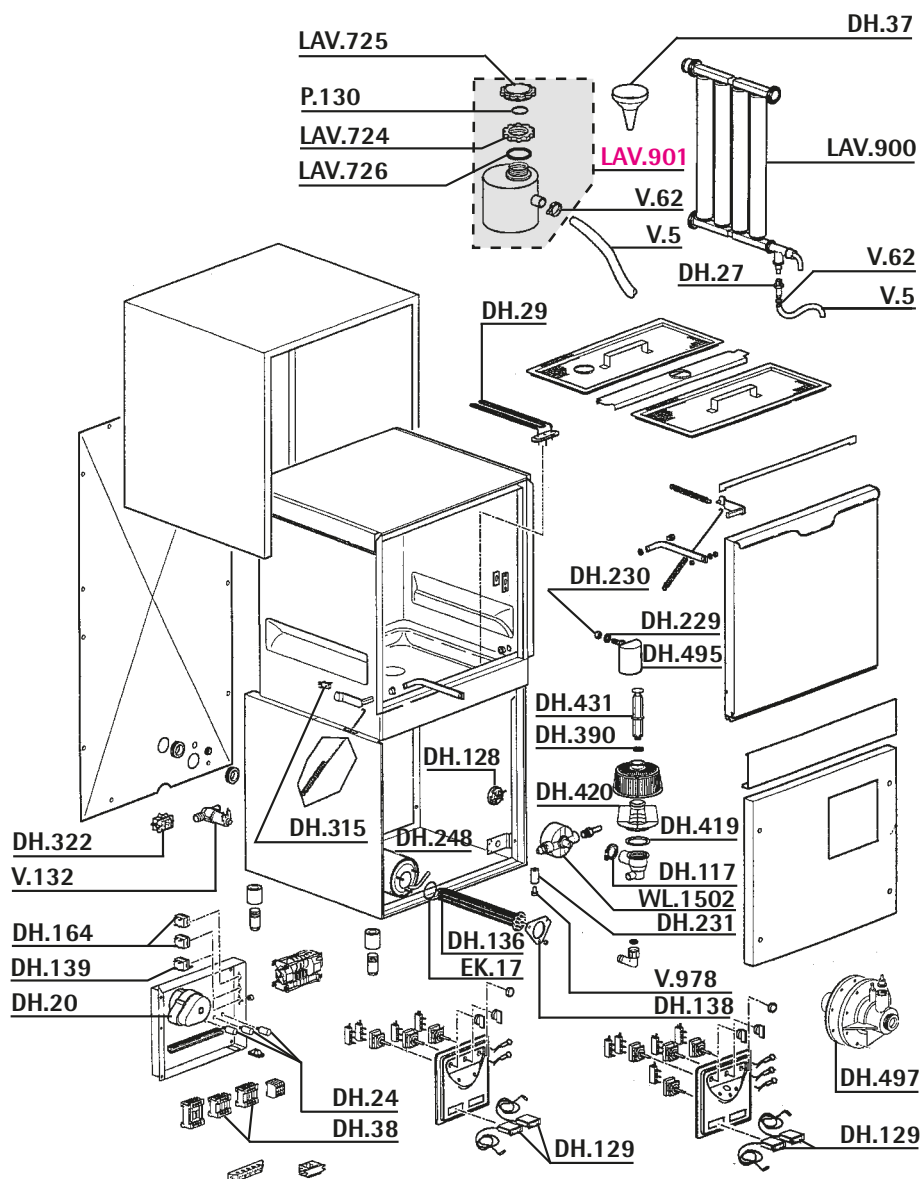
CONSÚLTENOS.

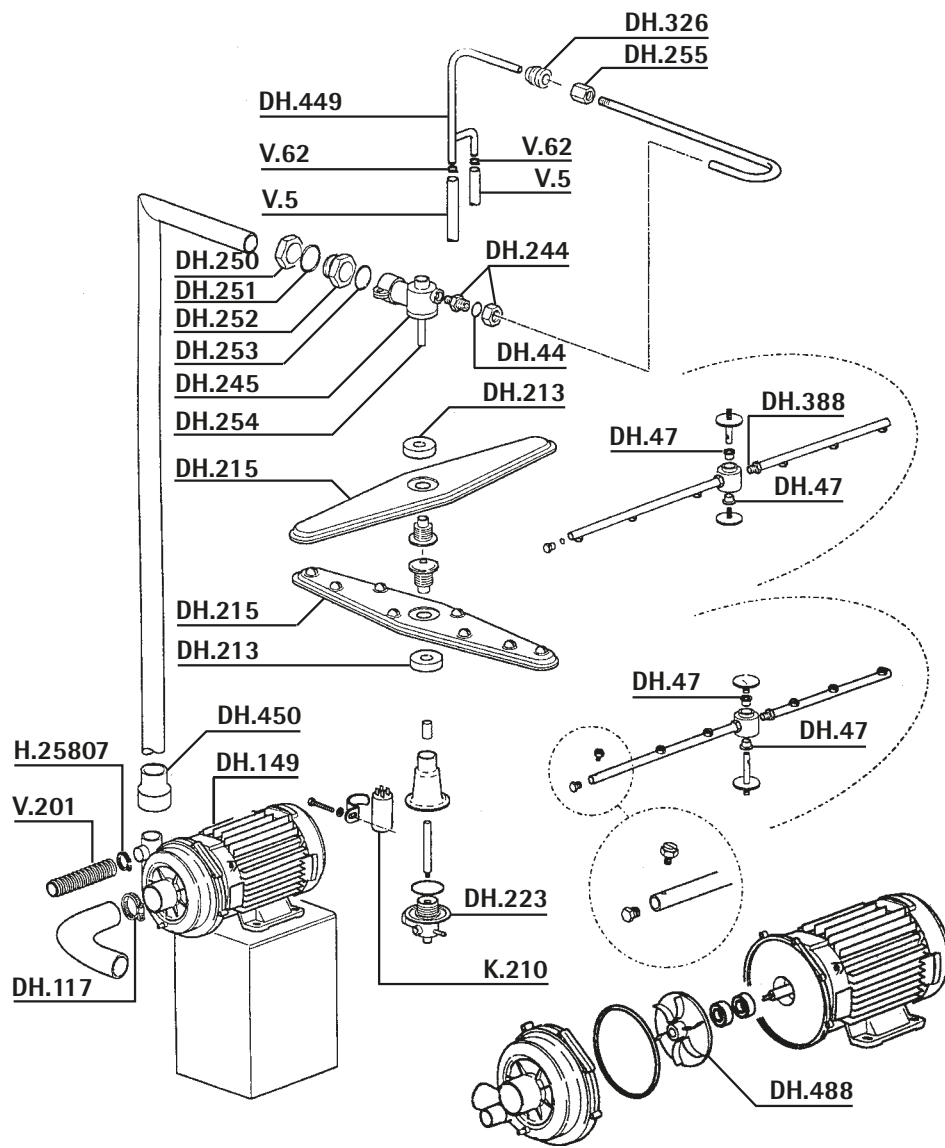


REF.	DESCRIPCIÓN	DESCRIPTION
DH...2	CAMARA PRESOSTATICA	PRESSURE SWITCH CHAMBER
DH...3	PRESOSTATO SAL	55/30 HORIZ.PRESS.SWITCH
DH.229	JUNTA ALIMENTARIA	ALIMENTARY GASKET
DH.230	TUERCA INOX	NUT
DH.231	PESO FILTRO	FILTER FITTING
DH.301	BOMBA DESAGÜE	OUTLET PUMP
DH.551	MANGUITO	SLEEVE
DH.570	DOSIFICADOR ABRILLANTADOR	RISE AND DOSSIMETER
DH.660	T. EMPALME	T. UNION
DH.661	TUBO	PIPE
H25807	ABRAZADERA 25-40	25-40 CLAMP
K...97	BRIDA NYLON	5X24mm NYLON CLASP
V...30	RACOR ENTRADA JABON	INLET SOAP FITTING
V...59	DOSIFICADOR PERISTALTICO	DOSIMETER
V...75	DOSIF.PERISTALTICO REGULA	ADJUSTABLE DOSIMETER
V.205	DESAGÜE EXTENSIB.2mt.22x28mm	2mt EXTENSIBLE OUT PIPE
V.448	TUBO PRESOSTATO-METRO 4X6	4X6 PRE.SWITCH INLET PIPE
V.611	TUBO INTERIOR DOS.PER. JABON	INLET PIPE
V.613	TUBO INTERIOR DOS.PER.ABRILLAN	RINS.AID INSIDE PIPE
V.973	DOSIFICADOR PERISTALTICO INTER	INTERNAL PERISTALTIC DOS.
V.975	DOSIFICADOR ABRILLANTADOR EXT.	EXTERNAL RINSE DOSIMETER
V.978	FILTRO DOSIFICADOR	DOSIMETER FILTER
V.980	RACOR ENTRADA JABON LARGO	LONG INLET FITTING
V.1739	DOSIF.PERISTAL.REGULABLE 24Vac	24Vac ADJUSTABLE DOSIMETER
V.1740	DOSIF.ABRILLAN.EXTERNO 24Vac	24Vac EXTERNAL RINSE DOSIMETER
V.1741	DOSIF.ABRILL.INTERNO 230V AC	230Vac INTERNAL RINSE DOSIMET
V.1800	RACOR ENTRADA JABON METALICO	METALIC DETER.INLET FITTING
V.2100	DOSIFICADOR PERISTAL.JABON 24V	24V SOAP DOSIMETER



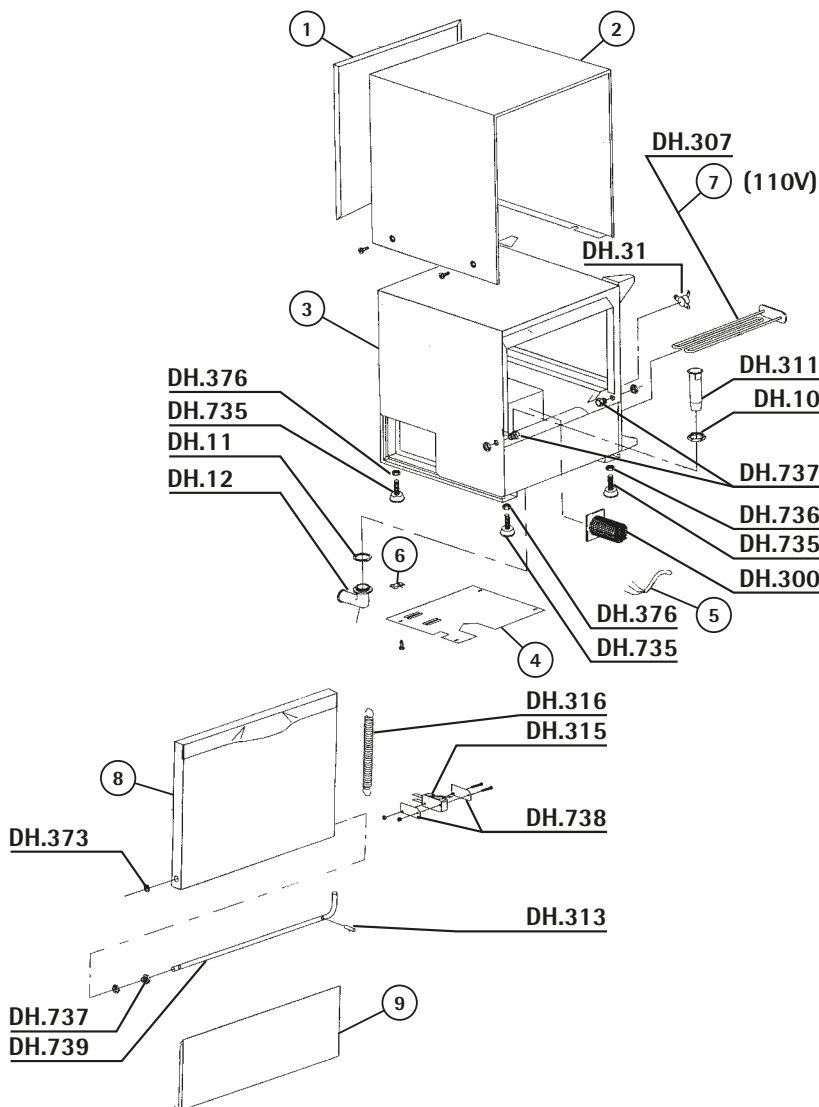
REF.	DESCRIPCIÓN	DESCRIPTION
DH..20	TEMPORIZAD.3MICROS 18MIN.	3TOOTH 18MIN.TIMER
DH..24	FILTRO ANTIPARASITARIO	ANTIPARASTIC FILTER
DH..27	VALVULA ANTIRETORNO	RETENTION VALVE
DH..29	RESIST.CUBA 2700W 230V	2700W 230V TANK RESISTANCE
DH..37	EMBUDO	FUNNEL
DH..38	CONTACTOR	CONTACTOR
DH.117	ABRAZADERA 46-70	46-70 CLAMP
DH.128	PRESOSTATO SAL/HOR.76/38	76/38 HORIZ.PRESS.SWITCH
DH.129	TERMOMETRO	THERMOMETER
DH.136	RESIST.CALDERIN 6000W 230V	6000W 230V BOILER RESISTANCE
DH.138	PLACA RESIST.CALDERIN	BOILER-RESIST.PLATE
DH.139	TERMOST.SEGURIDAD 90-110°	90-110° SAFETY THERMOSTAT
DH.164	TERMOSTATO 0-90°	0-90° THERMOSTAT
DH.229	JUNTA ALIMENTARIA	ALIMENTARY GASKET
DH.230	TUERCA INOX	NUT
DH.231	PESO FILTRO	FILTER FITTING
DH.248	CALDERIN	BOILER
DH.315	MICRO PUERTA 250V 16A	250V 16A DOOR MICROSWITCH
DH.322	INTERRUPTOR	SWITCH
DH.390	COLLARIN GOMA	RUBBER GASKET
DH.419	JUNTA GOMA	RUBBER GASKET
DH.420	BASE FILTRO	FILTER BASE
DH.431	SOBRENIVEL	OVERFLOW
DH.495	CAMARA PRESOSTATICA	PRESSURE SWITCH CHAMBER
DH.497	DOSIFICADOR ABRILLANTADOR MOD.	MODERN RINSE AID DOSIMETER
EK..17	TORICA PORTA SUPLEMENTADA	SUPLEMENT HOLDER RING
LAV724	TUERCA DEPOSITO SAL	SALT CONTAINER NUT
LAV725	TAPON BOTELLA SAL	SALT BOTTLE CAP
LAV726	JUNTA GOMA BOTELLA SAL	BOTTLE SALT RUBBER GASKET
LAV900	DEPURADOR LAVATAZAS	WASHING CUP PURIFIER
LAV901	DEPOSITO SAL COMPLETO	SALT CONTAINER
P..130	TORICA EPDM	RING
V...5	TUBO GOMA 10X16 20 ATM	20ATM 10X16 RUBBER PIPE
V..62	ABRAZADERA 12-20	12-20 CLAMP
V..132	ELECTROVAL.1 VIA LAV.220V	WASH 1 WAY 220V SOLENOID
V..978	FILTRO DOSIFICADOR	DOSIMETER FILTER
WL1502	DOSIFICADOR ABRILLANTADOR	RINSE AID DOSIMETER





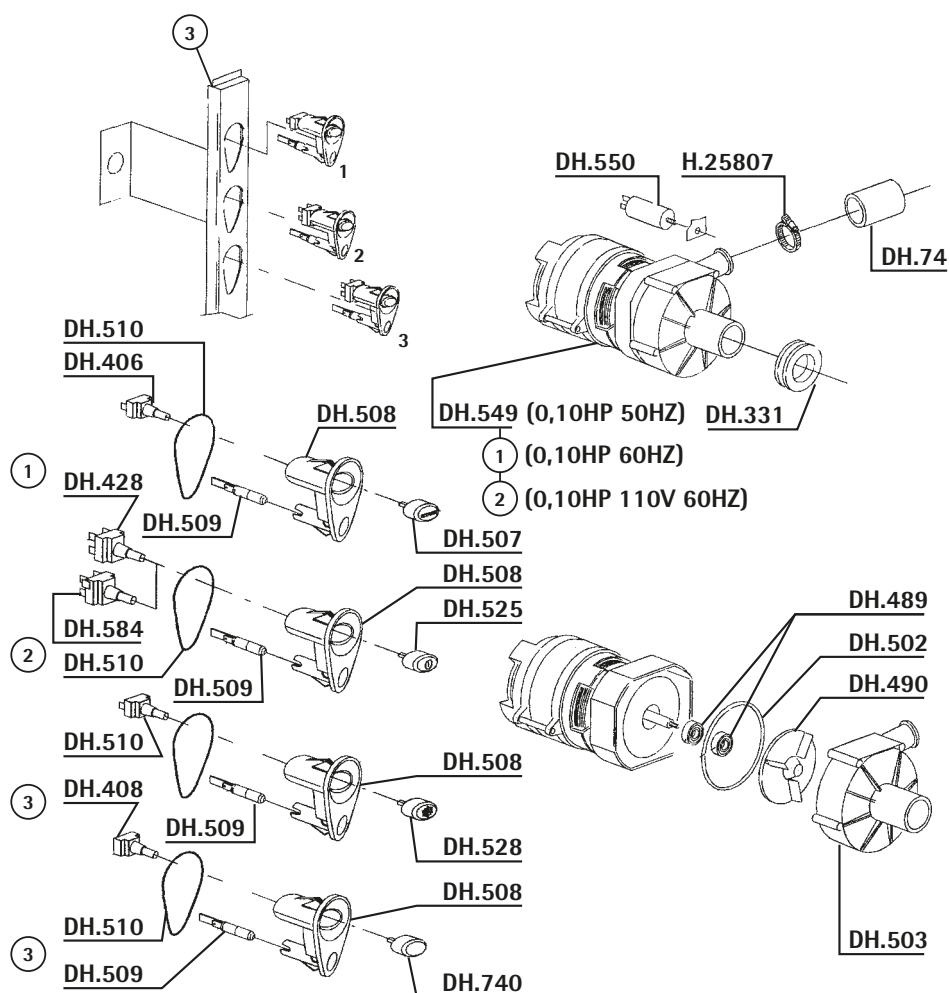
REF.	DESCRIPCIÓN	DESCRIPTION
DH..44	TORICA VITON	VITON RING
DH.47	CASQUILLO PLASTICO	CAP
DH.117	ABRAZADERA 46-70	46-70 CLAMP
DH.149	MOTOR 1,5 HP GS 120W	1.5 HP GS120W MOTOR
DH.213	ARANDELA	WASHER
DH.215	ASTA LAVADO	WASHING ARM
DH.223	COLECTOR	COLLECTOR
DH.244	RACOR	FITTING
DH.245	COLECTOR SUPERIOR	UPPER COLLECTOR
DH.250	TUERCA	NUT
DH.251	TORICA	RING
DH.252	CONTRATUERCA	BRASS NUT
DH.253	TORICA	RING
DH.254	EJE	ROD
DH.255	TUERCA	NUT
DH.326	UNION	JUNCTION
DH.388	TUERCA	NUT
DH.449	DERIVACION 2 VIAS	2 WAYS DERIVATION
DH.450	REDUCTOR	REDUCER
DH.488	TURBINA MOTOR DH.149	DH.149 MOTOR TURBINE
H25807	ABRAZADERA 25-40	25-40 CLAMP
K.210	CONDENSADOR 16 MF. 220V	16 MF. 220V CONDENSER
V....5	TUBO GOMA 10X16 20 ATM	20ATM 10X17 RUBBER PIPE
V...62	ABRAZADERA 12-20	12-20 CLAMP
V.201	TUBO DESAGÜE 28mm. 1,5mt.	28mm. 1.5mt. OUTLET PIPE

Carrocería / Puerta / Filtro / Resistencia DERBY / GRAN DERBY 400 ■ DERBY / GRAN DERBY 400 Resistance / Filter / Door / Bodywork

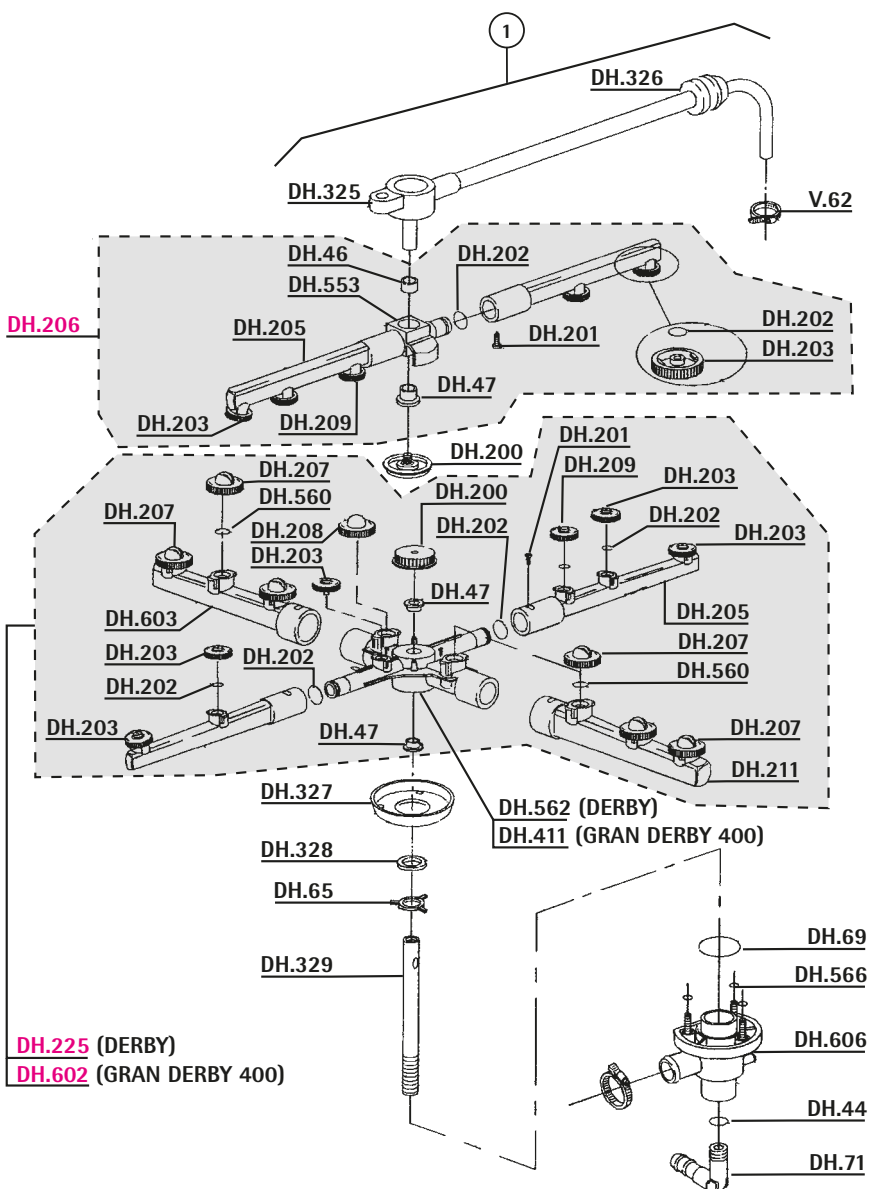


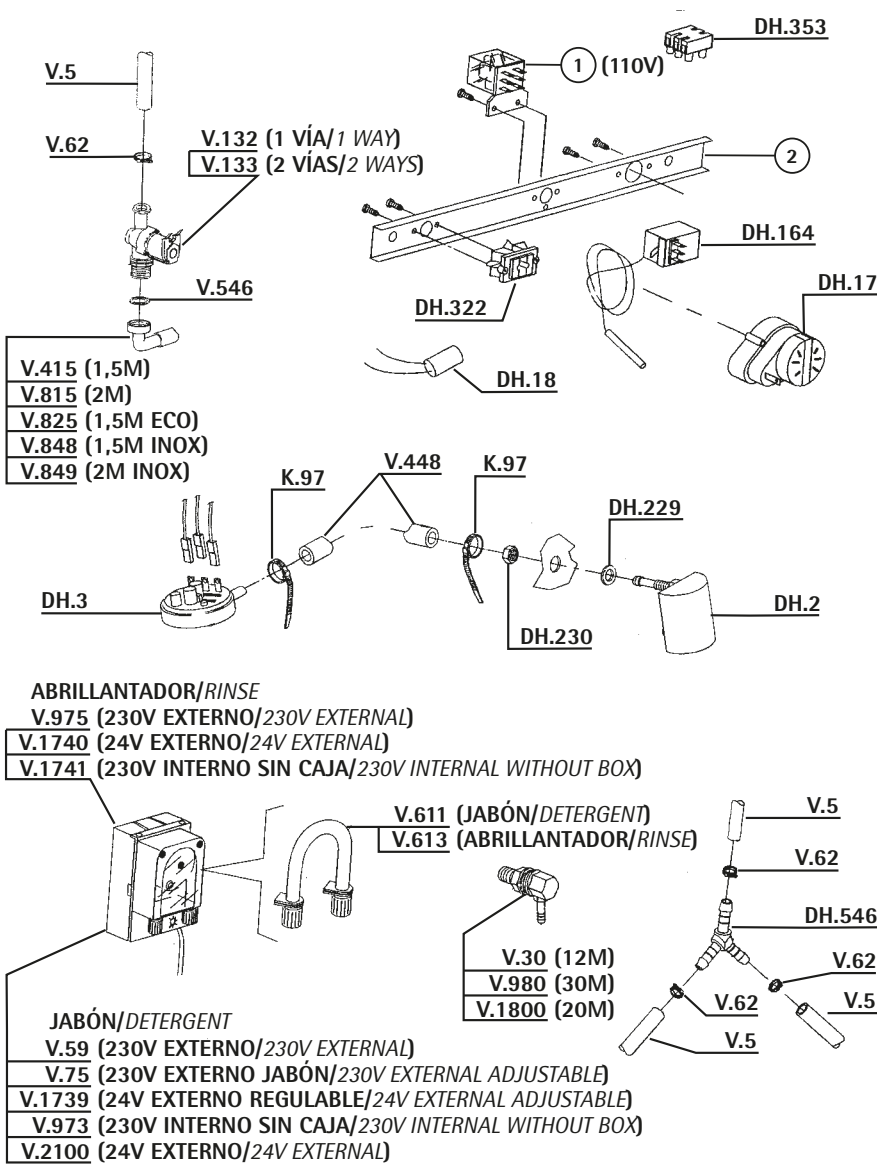
REF.	DESCRIPCIÓN	DESCRIPTION
DH.10	TUERCA CODO DESAGÜE	OUTLET ELBOW NUT
DH.11	JUNTA GOMA	RUBBER GASKET
DH.12	CODO DESAGÜE	DRAIN ELBOW
DH.31	TERMOSTATO SEGURIDAD 110° C	110° C SAFETY THERMOSTAT
DH.300	FILTRO	FILTER
DH.307	RESISTENCIA 2000W	RESISTANCE 2000W 230V
DH.311	SOBRENIVEL	OVERFLOW
DH.313	PERNO	BOLT
DH.315	MICRO PUERTA 250V 16A	250V 16A DOOR MICROSWITCH
DH.316	MUELLE PUERTA	DOOR SPRING
DH.373	TUERCA	NUT
DH.376	CIERRE PUERTA	CLOSING DOOR
DH.735	PATA DERBY	DERBY FOOT
DH.736	TUERCA PATA DERBY	NUT
DH.737	TUERCA PUERTA DERBY	DERBY DOOR NUT
DH.738	AISLANTE MICRO	MICRO ISILATE
DH.739	VARILLA PUERTA	DOOR ROD

REF.	DESCRIPCIÓN	DESCRIPTION
DH..74	MANGUITO	SLEEVE
DH.331	JUNTA BOMBA GOMA	PUMP RUBBER GASKET
DH.406	PULSADOR UNIPOLAR	UNIPOLAR PUSH-BUTTON
DH.408	PULSADOR	PUSH-BUTTON
DH.428	INTERRUPTOR	SWITCH
DH.489	PRENSAESTOPA MOTOR DERBY	DERBY MOTOR MECHANICAL SEAL
DH.490	TURBINA MOTOR DERBY	DERBY MOTOR TURBINE
DH.502	JUNTA TAPA BOMA	PUMP COVER GASKET
DH.503	TAPA BOMBA	MOTOR LID
DH.507	BOTON START	START BUTTON
DH.508	SOPORTE BOTON	BUTTON SUPPORT
DH.509	LAMPARA 220V	220V LAMP
DH.510	TORICA	RING
DH.525	BOTON ON-OFF	ON-OFF BUTTON
DH.528	BOTON CALOR/FRIO	BUTTON HEAT/COLD
DH.549	MOTOR 0,10 HP 230V 50HZ	MOTOR 0,10HP 230V 50HZ
DH.550	CONDENSADOR 5MF 450V	5MF 450V CONDENSER
DH.584	CONMUTADOR BIPOLAR 16A	16A BIPOLAR SWITCH
DH.740	BOTON CIEGO	BLIND BUTTON
H25807	ABRAZADERA 25-40	25-40 CLAMP

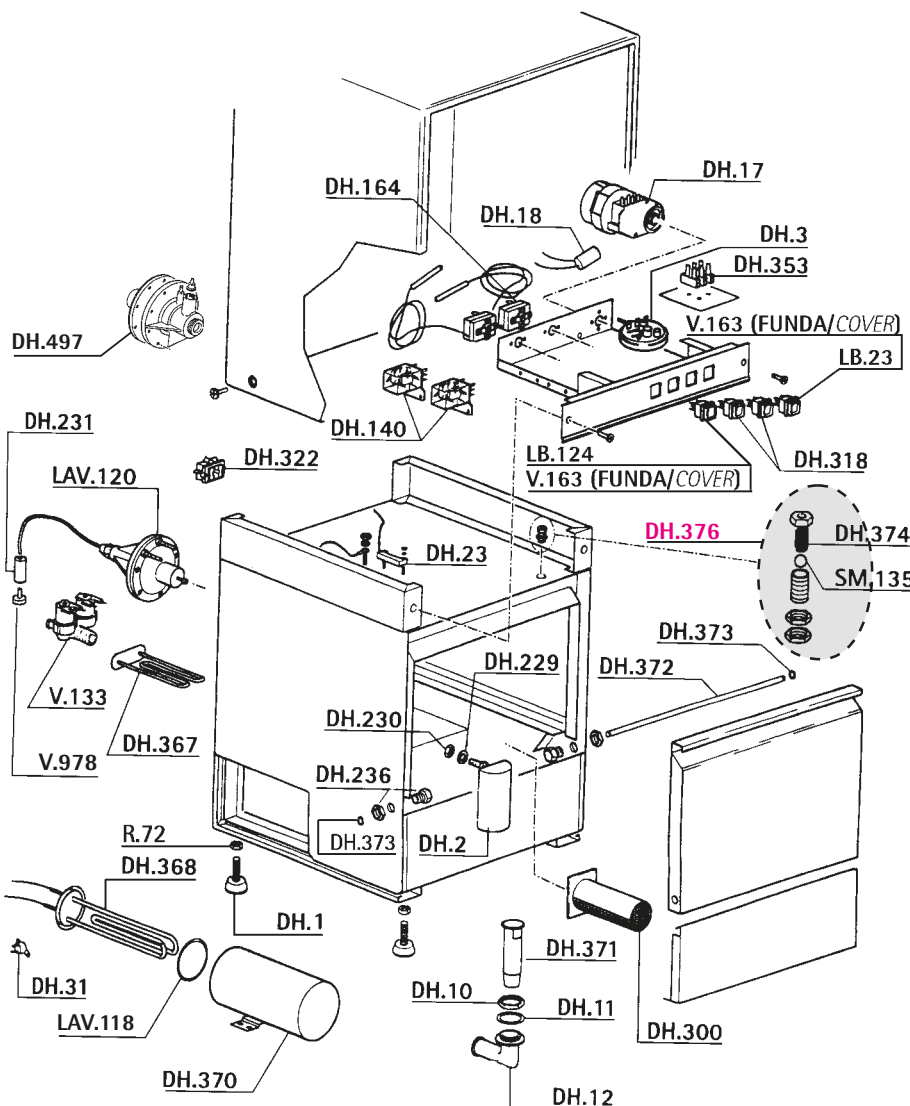


REF.	DESCRIPCIÓN	DESCRIPTION
DH..44	TORICA VITON	VITON RING
DH..46	ANILLO EJE	ROD RING
DH..47	CASQUILLO PLASTICO	CAP
DH..65	GUIA EJE	ROD GUIDE
DH..69	TORICA	RING
DH..71	CODO 3/8M-BOQUILLA	3/8M-HOSE STEP ELBOW
DH.200	FIJACION ACLARADO SUP.	UPPER RINSE FIRMNESS
DH.201	TORNILLO	SCREW
DH.202	TORICA VITON	VITON RING
DH.203	ROCIADOR ACLARADO	RINSE SPRAY
DH.205	TUBO DRCH.ACLARADO SUP.	UPPER RIGHT RINSE PIPE
DH.206	ASTA ACLARADO SUPERIOR	UPPER RINSE ARM
DH.207	ROCIADOR LAVADO	WASHING SPRAY
DH.208	ROCIADOR LAVADO CIEGO	BLIND WASHING SPRAY
DH.209	ROCIADOR ACLARADO CIEGO	BLIND RINSE SPRAY
DH.211	TUBO LAVADO IZQUIERDO	LEFT WASH PIPE
DH.225	ARB.LAV/ACLARADO INF.MOD	LOWER MOD.WASH/RINSE ARM
DH.325	RACOR SUPERIOR	UPPER FITTING
DH.326	UNION	JUNCTION
DH.327	DISCO PLASTICO	DISC
DH.328	JUNTA TEFLON	TEFLON WASHER
DH.329	EJE	ROD
DH.411	CRUCETA	CROSSHAD
DH.553	UNION GIRATORIO	GIRATORY JUNCTION
DH.560	JUNTA DIFUSOR	SPRAY GASKET
DH.562	CRUZ LAVADO	WASHER CROSS
DH.566	JUNTA	GASKET
DH.602	GIRATORIO COMPLETO GS40	GS40 COMPLETE GIRATORY
DH.603	TUBO DERECHO LAVADO GS40	GS40 RIGHT WASHER PIPE
DH.606	COLECTOR INFERIOR	LOWER COLLECTOR
V...62	ABRAZADERA 12-20	12-20 CLAMP



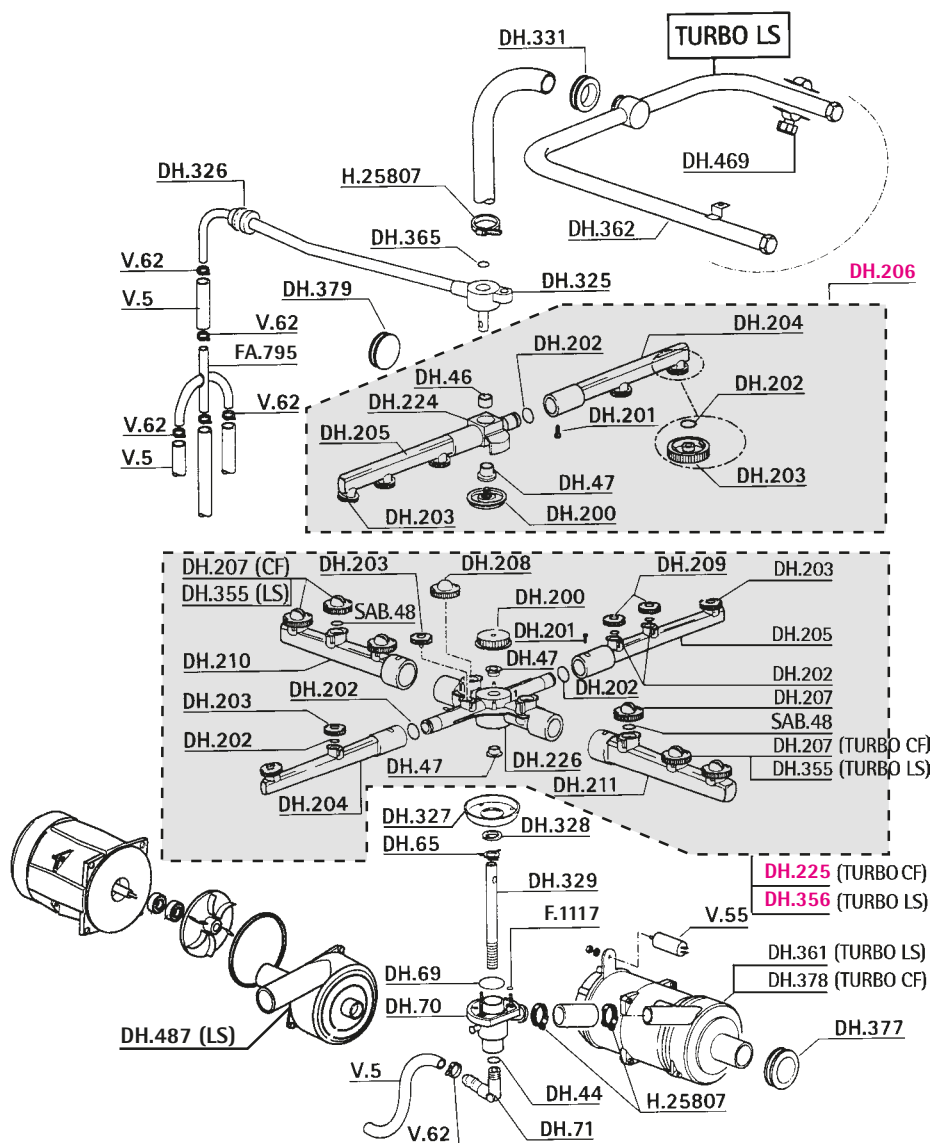


REF.	DESCRIPCIÓN	DESCRIPTION
DH...2	CAMARA PRESOSTATICA	PRESSURE SWITCH CHAMBER
DH...3	PRESOSTATO SAL	55/30 HORIZ.PRESS.SWITCH
DH..17	TEMPORIZADOR 2MICROS 150V	2TOOTH 150° TIMER
DH..18	FILTRO ANTIPARASITARIO	ANTIPARASTIC FILTER
DH.164	TERMOSTATO 0-90°	0-90° THERMOSTAT
DH.229	JUNTA ALIMENTARIA	ALIMENTARY GASKET
DH.230	TUERCA INOX	NUT
DH.322	INTERRUPTOR	SWITCH
DH.353	BASE RELE	RELAY BASE
DH.546	RACOR 10MM	RACCORD 10MM
K...97	BRIDA NYLON	5X24mm NYLON CLASP
V...5	TUBO GOMA 10X16 20 ATM	20ATM 10X17 RUBBER PIPE
V...30	RACOR ENTRADA JABON	INLET SOAP FITTING
V...59	DOSIFICADOR PERISTALTICO	DOSIMETER
V...62	ABRAZADERA 12-20	12-20 CLAMP
V...75	DOSIFERISTALTICO REGULA	ADJUSTABLE DOSIMETER
V..132	ELECTROVAL.1 VIA LAV.220V	WASH 1 WAY 220V SOLENOID
V..133	ELECTROVAL.2 VIA LAV.220V	WASH 2 WAYS 220V SOLENOID
V.415	TOMA LAVADORA 1,5M	QUALITY 1.5M.INLET W.FLEX
V.448	TUBO PRESOSTATO-METRO 4X6	4X6 PRE.SWITCH INLET PIPE
V.546	JUNTA GOMA 3/4	WATER INLET RUBBER GASKET
V.611	TUBO INTERIOR DOS.PER. JABON	LONG INLET FITTING
V.613	TUBO DOSIFICADOR ABRILLANTADOR	RINSE AID DOSIMETER PIPE
V.815	TOMA LAVADORA 2 METROS	2 MT.INLET WATER FLEXIBLE
V.825	TOMA LAVADORA 1.5 "ECO"	"ECO"1.5M INLET WA.FLEXIB
V.848	TOMA LAVADORA 1.5M INOX	INOX 1.5M INLET WATER FL.
V.849	TOMA LAV.INOX 2MT.3/4X3/4	INOX 2MT.INLET WATER FLE.
V.973	DOSIFICADOR PERISTALTICO INTER	INTERNAL PERISTALTIC DOS.
V.975	DOSIFICADOR ABRILLANTADOR EXT.	EXTERNAL RINSE DOSIMETER
V.980	RACOR ENTRADA JABON LARGO	LONG INLET FITTING
V.1739	DOSIF.PERISTAL.REGULABLE 24Vac	24Vac ADJUSTABLE DOSIMETER
V.1740	DOSIF.ABRILLAN.EXTERNO 24Vac	24Vac EXTERNAL RINSE DOSIMETER
V.1741	DOSIF.ABRILL.INTERNO 230V AC	230Vac INTERNAL RINSE DOSIMET
V.1800	RACOR ENTRADA JABON METALICO	METALIC DETER.INLET FITTING
V.2100	DOSIFICADOR PERISTAL.JABON 24V	24V SOAP DOSIMETER

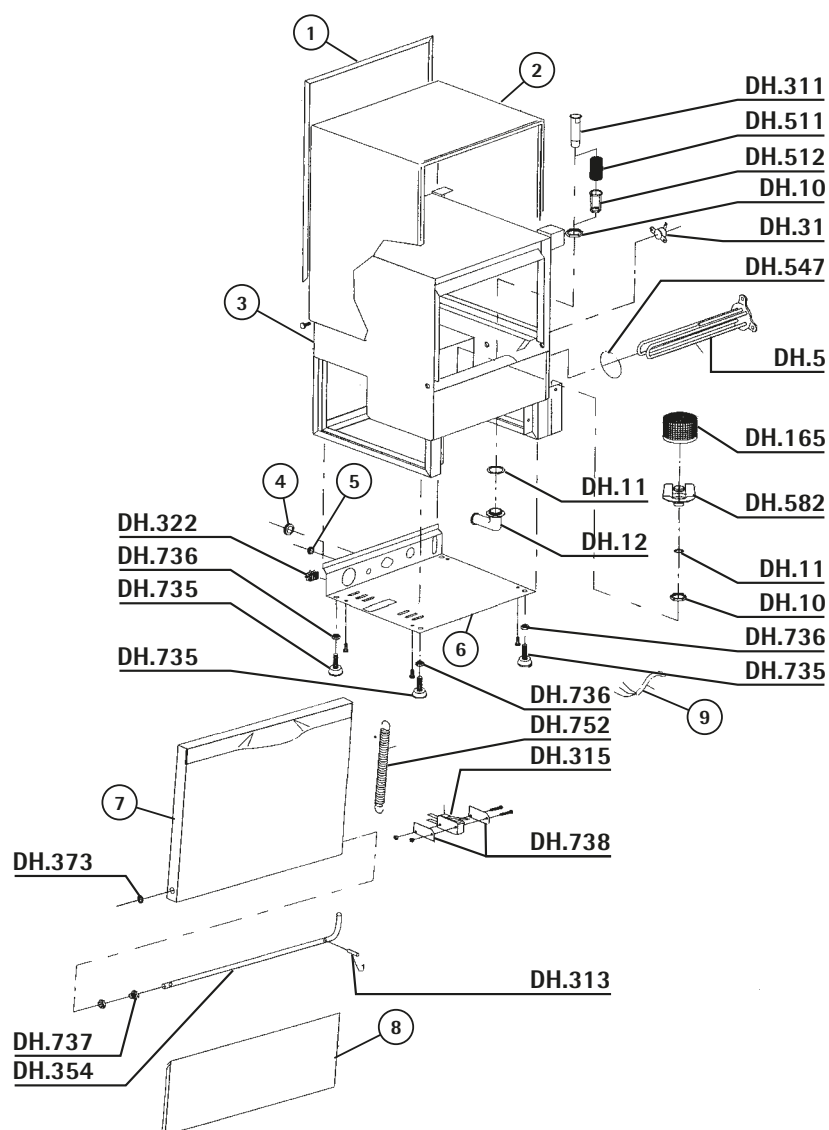


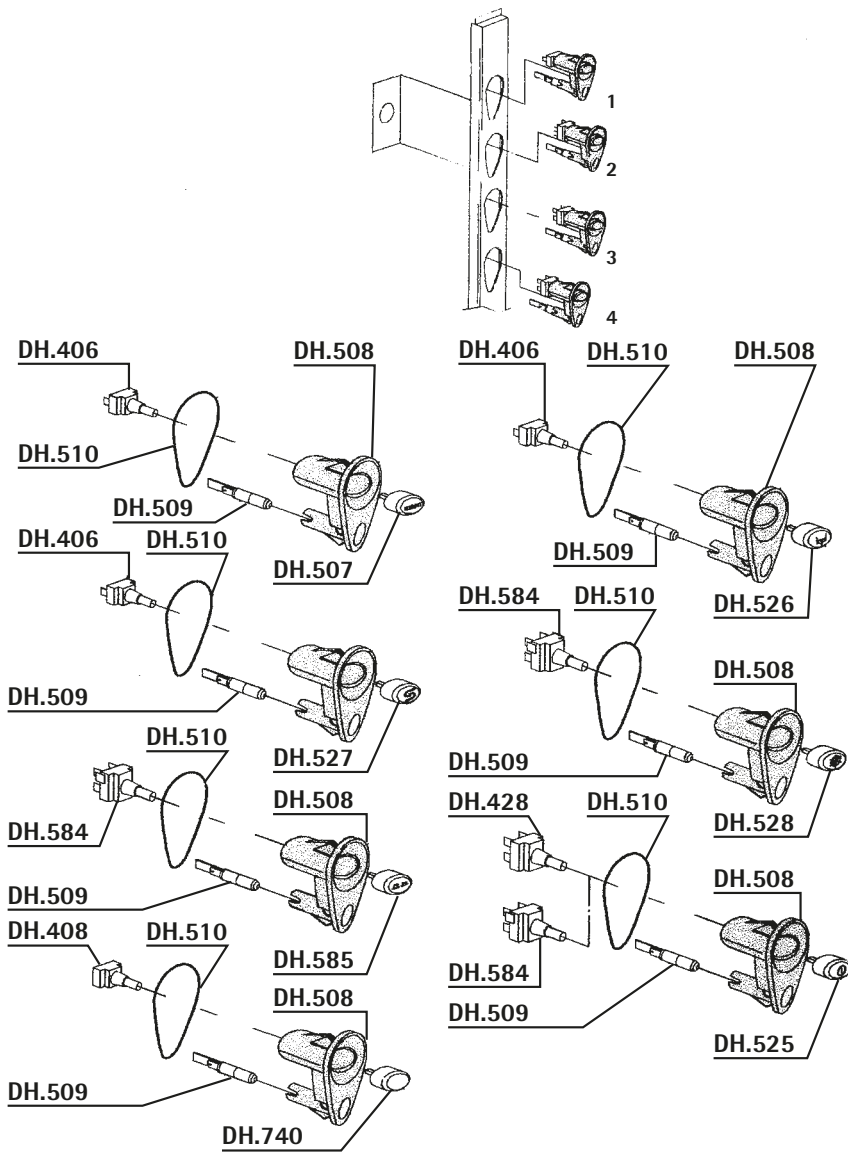
REF.	DESCRIPCIÓN	DESCRIPTION
DH...1	PATA	FOOT
DH...2	CAMARA PRESOSTATICA	PRESSURE SWITCH CHAMBER
DH...3	PRESOSTATO SAL	55/30 HORIZ.PRESS.SWITCH
DH..10	TUERCA CODO DESAGÜE	OUTLET ELBOW NUT
DH..11	JUNTA GOMA	RUBBER GASKET
DH..12	CODO DESAGÜE	DRAIN ELBOW
DH..17	TEMPORIZADOR 2MICROS 150V	2TOOTH 150° TIMER
DH..18	FILTRO ANTIPARASITARIO	ANTIPARASTIC FILTER
DH..23	MICRO PUERTA	DOOR MICROSWITCH
DH..31	TERMOSTATO SEGURIDAD 110° C	110° C SAFETY THERMOSTAT
DH.140	RELE BIPOLAR 16A	16A RELAY
DH.164	TERMOSTATO 0-90°	0-90° THERMOSTAT
DH.229	JUNTA ALIMENTARIA	ALIMENTARY GASKET
DH.230	TUERCA INOX	NUT
DH.231	PESO FILTRO	FILTER FITTING
DH.236	TUERCA	NUT
DH.300	FILTRO	FILTER
DH.318	PULSADOR VERDE 4 FAXTON	4 FAXTON GREEN BUTTON
DH.322	INTERRUPTOR	SWITCH
DH.353	BASE RELE	RELAY BASE
DH.367	RESISTENCIA CUBA 2000W 230V	2000W 230V TANK RESISTANCE
DH.368	RESISTENCIA CALDE.2500W 230V	2500W 230V BOILER RESISTANCE
DH.370	CALDERIN	BOILER
DH.371	SOBRENIVEL	OVERFLOW
DH.372	EJE PUERTA	DOOR ROD
DH.373	TUERCA	NUT
DH.374	MUELLE	SPRING
DH.376	CIERRE PUERTA	CLOSING DOOR
DH.497	DOSIFICADOR ABRILLANTADOR MOD.	MODERN RINSE AID DOSIMETER
LAV118	TORICA GOMA	RING
LAV120	DOSIFICADOR ABRILLANTADOR	RINSE AID DOSIMETER
LB..23	INTERRUPTOR 4FAXTON VERDE	GREEN 4 FAXTON SWITCH
LB.124	PILOTO VERDE 220V	220V GREEN WARNING LAMP
R...72	TUERCA	NUT
SM.135	ESFERA INOX 9,5mm	INOX SPHERE
V..133	ELECTROVAL.2 VIA LAV.220V	WASH 2 WAYS 220V SOLENOID
V..163	FUNDA ESTANQUEIDAD	WATERTIGHTNESS COVER
V.978	FILTRO DOSIFICADOR	DOSIMETER FILTER

REF.	DESCRIPCIÓN	DESCRIPTION
DH..44	TORICA VITON	VITON RING
DH..46	ANILLO EJE	ROD RING
DH..47	CASQUILLO PLASTICO	CAP
DH..65	GUIA EJE	ROD GUIDE
DH..69	TORICA	RING
DH..70	COLECTOR ARBOL LAV./ACL	CLEAR/WASH ARM COLLECTOR
DH..71	CODO 3/8M-BOQUILLA	3/8M-HOSE STEP ELBOW
DH.200	FIJACION ACLARADO SUP.	UPPER RINSE FIRMNESS
DH.201	TORNILLO	SCREW
DH.202	TORICA VITON	VITON RING
DH.203	ROCIADOR ACLARADO	RINSE SPRAY
DH.204	TUBO IZDO.ACLARADO SUP.	UPPER RINSE LEFT PIPE
DH.205	TUBO DRCH.ACLARADO SUP.	UPPER RIGHT RINSE PIPE
DH.206	ASTA ACLARADO SUPERIOR	UPPER RINSE ARM
DH.207	ROCIADOR LAVADO	WASHING SPRAY
DH.208	ROCIADOR LAVADO CIEGO	BLIND WASHING SPRAY
DH.209	ROCIADOR ACLARADO CIEGO	BLIND RINSE SPRAY
DH.210	TUBO LAVADO DERECHO	WASHING RIGHT PIPE
DH.211	TUBO LAVADO IZQUIERDO	WASHING LEFT PIPE
DH.224	UNION BRAZOS ACLARADO	RINSE ARMS UNION
DH.225	ARB.LAV./ACLARADO INF.MOD	LOWER MOD.WASH/RINSE ARM
DH.226	CENTRAL ARBOL LAV./ACL.MOD	WASH/RINSE MOD.CENTRAL
DH.325	RACOR SUPERIOR	UPPER FITTING
DH.326	UNION	JUNCTION
DH.327	DISCO PLASTICO	DISC
DH.328	JUNTA TEFLON	TEFLON WASHER
DH.329	EJE	ROD
DH.331	JUNTA BOMBA GOMA	PUMP RUBBER GASKET
DH.355	ROCIADOR LAVADO	WASHING SPRAY
DH.356	ASTA LAVADO-ACLARADO INF.	LOWER WASH-RINSE ARM
DH.361	MOTOR 0.30HP 3 VIAS	3 WAYS 0.30HP MOTOR
DH.362	TUBO LAVADO	WASH PIPE
DH.365	ARANDELA	WASHER
DH.377	JUNTA GOMA	RUBBER GASKET
DH.378	MOTOR 0.33HP	0.33HP MOTOR
DH.379	JUNTA GOMA	RUBBER GASKET
DH.469	ROCIADOR LAVADO	WASHING SPRAY
DH.487	TAPA MOTOR DH.361	DH.361 MOTOR LID
F.1117	TORICA GOMA EPDM	RING
FA.795	RACOR CRUZ	CROSSHEAD FITTING
H25807	ABRAZADERA 25-40	25-40 CLAMP
SAB.48	TORICA GOMA EPDM	RING
V...5	TUBO GOMA 10X16 20 ATM	20ATM 10X17 RUBBER PIPE
V..55	CONDENSADOR 10 MF 220V	220V 10MF.CONDENSER
V..62	ABRAZADERA 12-20	12-20 CLAMP

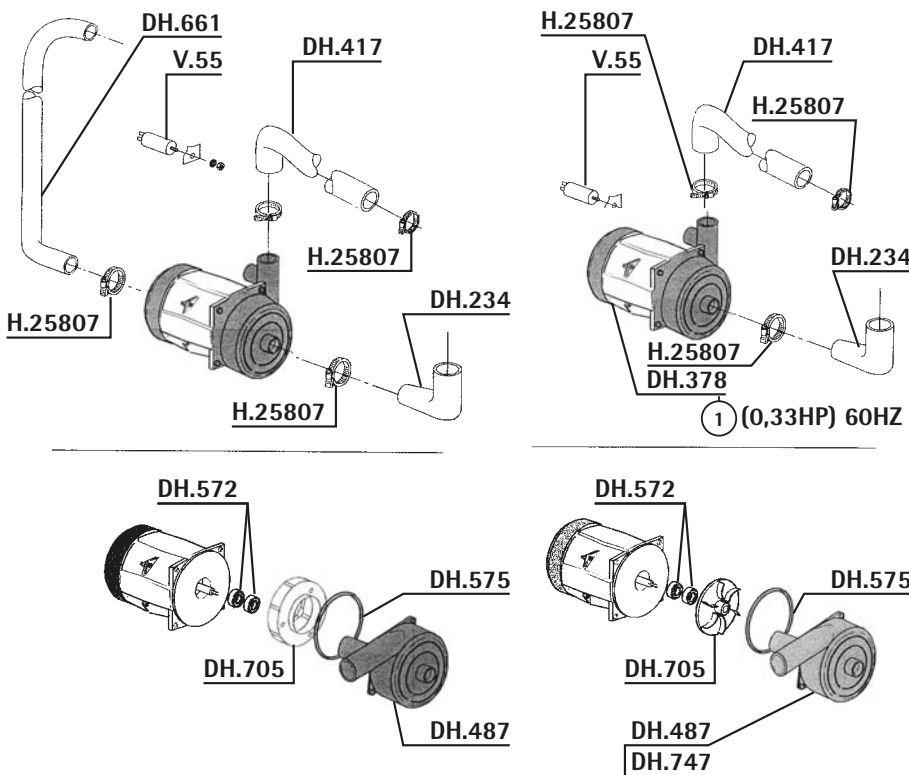


REF.	DESCRIPCIÓN	DESCRIPTION
DH...5	RESIST.CALDERIN 2400W	2400W 230V BOILER RESISTANCE
DH..10	TUERCA CODO DESAGÜE	OUTLET ELBOW NUT
DH..11	JUNTA GOMA	RUBBER GASKET
DH..12	CODO DESAGÜE	DRAIN ELBOW
DH..31	TERMOSTATO SEGURIDAD 110° C	110° C SAFETY THERMOSTAT
DH.165	FILTRO MODERNO	MODERN FILTER
DH.311	SOBRENIVEL	OVERFLOW
DH.313	PERNO	BOLT
DH.315	MICRO PUERTA 250V 16A	250V 16A DOOR MICROSWITCH
DH.322	INTERRUPTOR	SWITCH
DH.354	EJE PUERTA	DOOR ROD
DH.373	TUERCA	NUT
DH.511	FILTRO INOX BOMBA	PUMP INOX FILTER
DH.512	TUERCA INOX FILTRO	FILTER INOX NUT
DH.547	JUNTA RESISTENCIA	RESISTANCE GASKET
DH.582	SOPORTE FILTRO	FILTER SUPPORT
DH.735	PATA DERBY	DERBY FOOT
DH.736	TUERCA PATA DERBY	NUT
DH.737	TUERCA PUERTA DERBY	DERBY DOOR NUT
DH.738	AISLANTE MICRO	MICRO ISILATE
DH.752	MUELLE PUERTA	DOOR SPRING





REF.	DESCRIPCIÓN	DESCRIPTION
DH.406	PULSADOR UNIPOLAR	UNIPOLAR PUSH-BUTTON
DH.408	PULSADOR	PUSH-BUTTON
DH.428	INTERRUPTOR	SWITCH
DH.507	BOTON START	START BUTTON
DH.508	SOPORTE BOTON	BUTTON SUPPORT
DH.509	LAMPARA 220V	220V LAMP
DH.510	TORICA	RING
DH.525	BOTON ON-OFF	ON-OFF BUTTON
DH.526	BOTON BOMBA VACIO	DRAIN PUMP BUTTON
DH.527	BOTON DEPURACION	PURIFIER BUTTON
DH.528	BOTON CALOR/FRIO	BUTTON HEAT/COLD
DH.584	CONMUTADOR BIPOLAR 16A	16A BIPOLAR SWITCH
DH.585	JUNTA	GASKET
DH.586	BOTON SELECTOR TIEMPO	SELECTOR TIME BUTTON
DH.740	BOTON CIEGO	BLIND BUTTON



REF.	DESCRIPCIÓN	DESCRIPTION
DH.234	MANGUITO	SLEEVE
DH.378	MOTOR 0.33HP	0.33HP MOTOR
DH.417	TUBO DESAGÜE	OUTLET PIPE
DH.487	TAPA MOTOR DH.361	DH.361 MOTOR LID
DH.572	RETEN	MECHANICAL SEAL
DH.575	JUNTA MOTOR	MOTOR GASKET
DH.661	TUBO	PIPE
DH.705	JUNTA TAPA MOTOR	MOTOR LID GASKET
DH.747	TAPA MOTOR	MOTOR LID
H25807	ABRAZADERA 25-40	25-40 CLAMP
V...55	CONDENSADOR 10 MF 220V	220V 10MF.CONDENSER

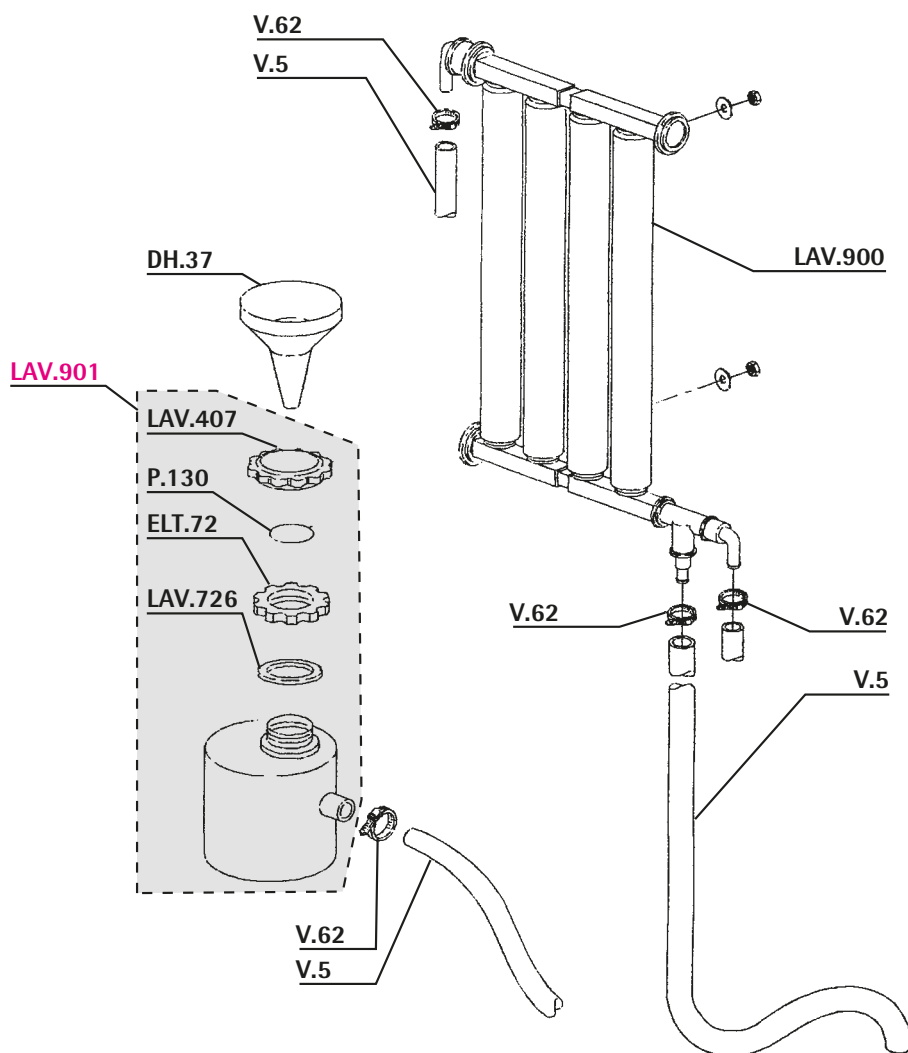
The components with circle are under request.

① ② ③ ...

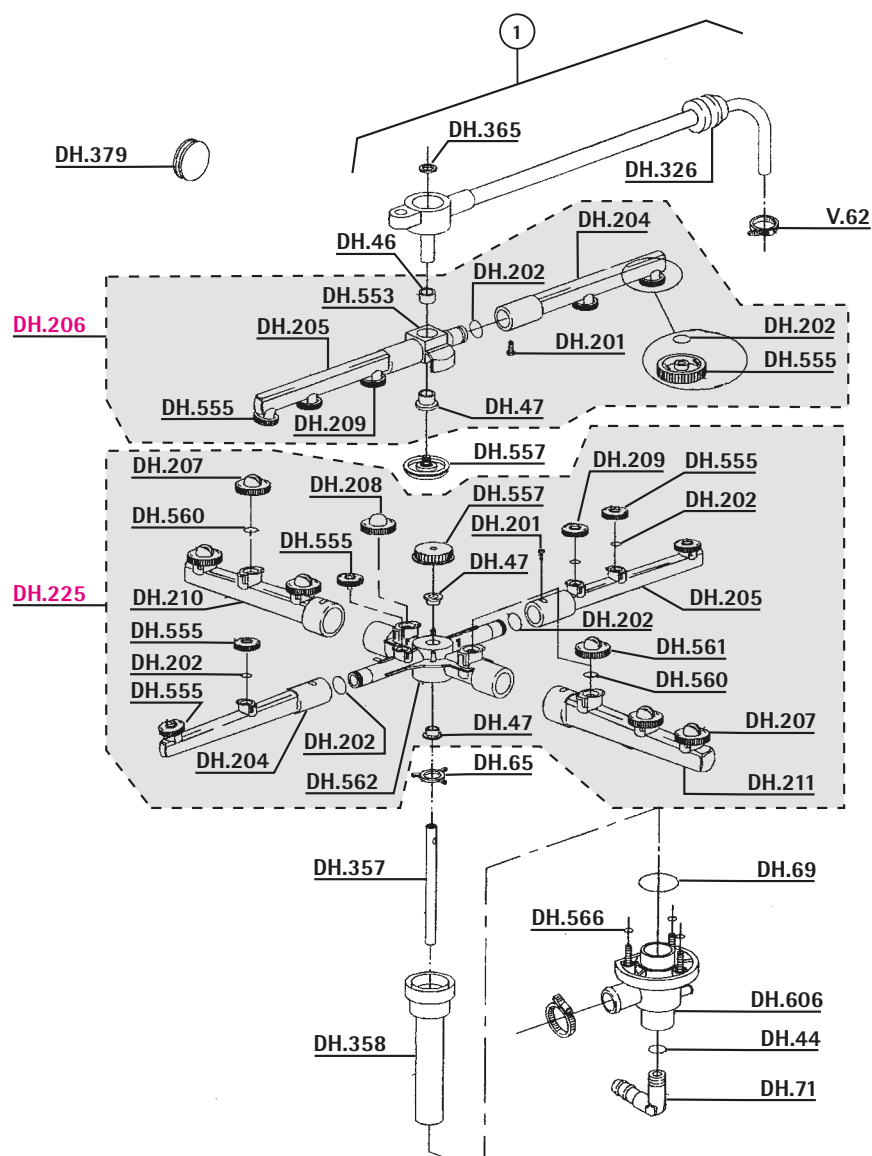
CONSULT US.

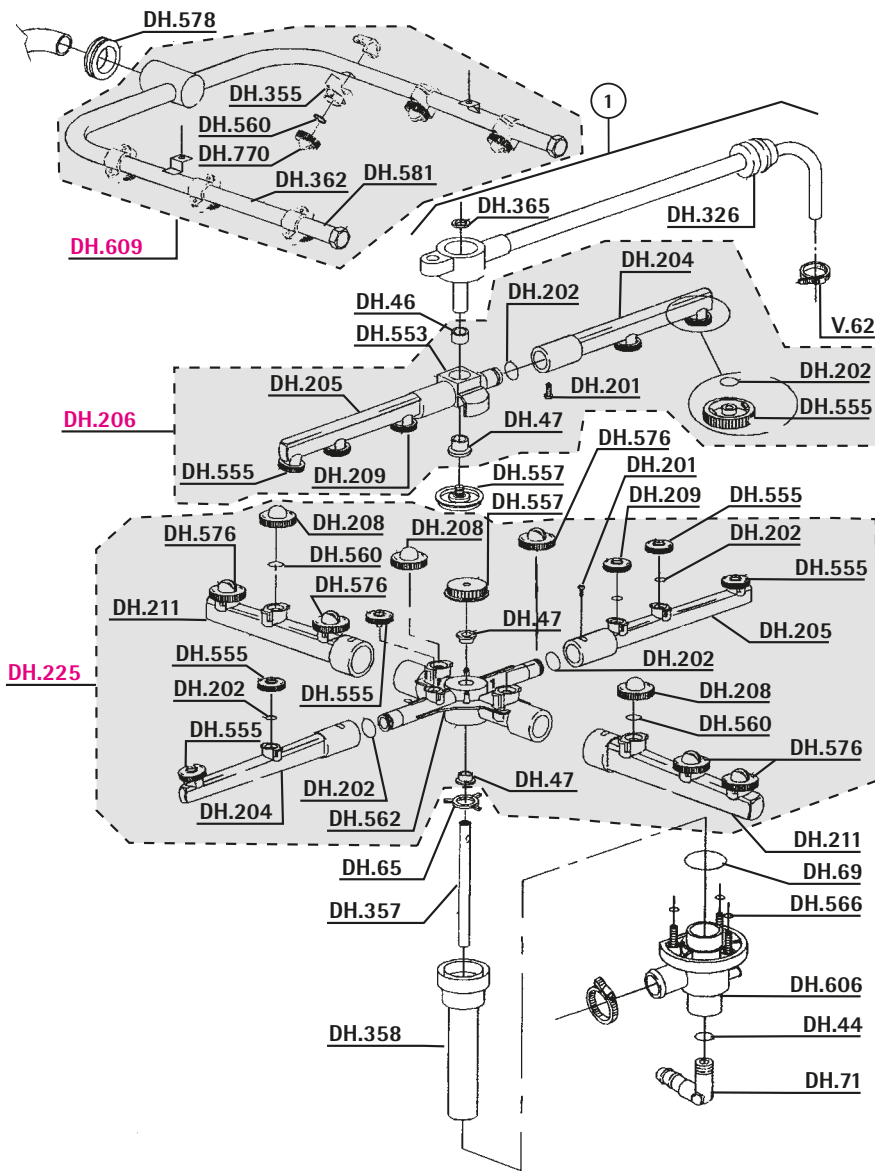


REF.	DESCRIPCIÓN	DESCRIPTION
DH..37	EMBUDO	FUNNEL
ELT.72	RACOR DEPOSITO SAL	FITTING SALT CONTAINER
LAV407	TAPON DEPOSITO SAL	SALT TANK CAP
LAV726	JUNTA GOMA BOTELLA SAL	BOTTLE SALT RUBBER GASKET
LAV900	DEPURADOR LAVATAZAS	WASHING CUP PURIFIER
LAV901	DEPOSITO SAL COMPLETO	SALT CONTAINER
P..130	TORICA EPDM	RING
V...5	TUBO GOMA 10X16 20 ATM	20ATM 10X17 RUBBER PIPE
V...62	ABRAZADERA 12-20	12-20 CLAMP



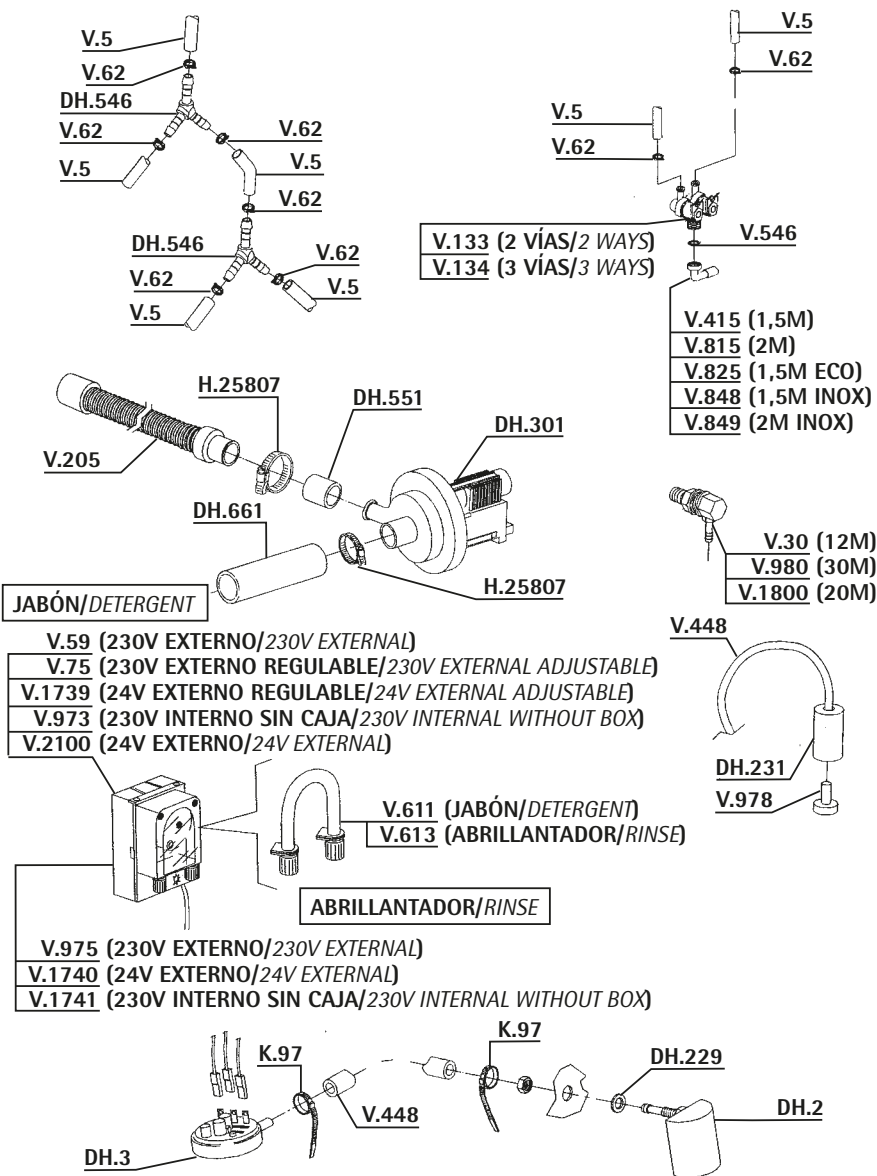
REF.	DESCRIPCIÓN	DESCRIPTION
DH..44	TORICA VITON	VITON RING
DH..46	ANILLO EJE	ROD RING
DH..47	CASQUILLO PLASTICO	CAP
DH..65	GUIA EJE	ROD GUIDE
DH..69	TORICA	RING
DH..71	CODO 3/8M-BOQUILLA	3/8M-HOSE STEP ELBOW
DH.201	TORNILLO	SCREW
DH.202	TORICA VITON	VITON RING
DH.204	TUBO IZDO.ACLARADO SUP.	UPPER RINSE LEFT PIPE
DH.205	TUBO DRCH.ACLARADO SUP.	UPPER RIGHT RINSE PIPE
DH.206	ASTA ACLARADO SUPERIOR	UPPER RINSE ARM
DH.207	ROCIADOR LAVADO	WASHING SPRAY
DH.208	ROCIADOR LAVADO CIEGO	BLIND WASHING SPRAY
DH.209	ROCIADOR ACLARADO CIEGO	BLIND RINSE SPRAY
DH.210	TUBO LAVADO DERECHO	WASHING RIGHT PIPE
DH.211	TUBO LAVADO IZQUIERDO	WASHING LEFT PIPE
DH.225	ARB.LAV/ACLARADO INF.MOD	LOWER MOD.WASH/RINSE ARM
DH.326	UNION	JUNCTION
DH.357	EJE	ROD
DH.358	SOPORTE	SUPPORT
DH.365	ARANDELA	WASHER
DH.379	JUNTA GOMA	RUBBER GASKET
DH.553	UNION GIRATORIO	GIRATORY JUNCTION
DH.555	ROMPECHORROS	SPRAY
DH.557	TORNILLO GIRATORIO	GIRATORY SCREW
DH.560	JUNTA DIFUSOR	SPRAY GASKET
DH.562	CRUZ LAVADO	WASHER CROSS
DH.566	JUNTA	GASKET
DH.606	COLECTOR INFERIOR	LOWER COLLECTOR
V...62	ABRAZADERA 12-20	12-20 CLAMP





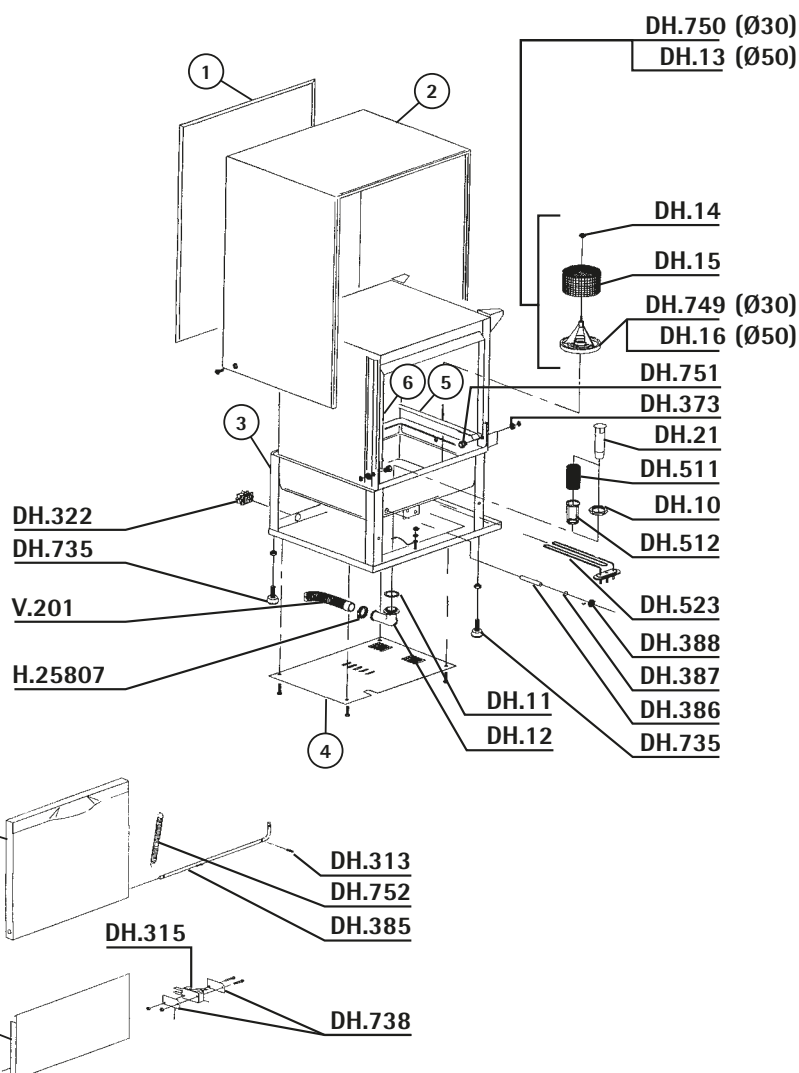
REF.	DESCRIPCIÓN	DESCRIPTION
DH..44	TORICA VITON	VITON RING
DH.46	ANILLO EJE	ROD RING
DH..47	CASQUILLO PLASTICO	CAP
DH..65	GUIA EJE	ROD GUIDE
DH..69	TORICA	RING
DH..71	CODO 3/8M-BOQUILLA	3/8M-HOSE STEP ELBOW
DH.201	TORNILLO	SCREW
DH.202	TORICA VITON	VITON RING
DH.204	TUBO IZDO.ACLARADO SUP.	UPPER RINSE LEFT PIPE
DH.205	TUBO DRCH.ACLARADO SUP.	UPPER RIGHT RINSE PIPE
DH.206	ASTA ACLARADO SUPERIOR	UPPER RINSE ARM
DH.208	ROCIADOR LAVADO CIEGO	BLIND WASHING SPRAY
DH.209	ROCIADOR ACLARADO CIEGO	BLIND RINSE SPRAY
DH.211	TUBO LAVADO IZQUIERDO	WASHING LEFT PIPE
DH.225	ARB.LAV/ACLARADO INF.MOD	LOWER MOD.WASH/RINSE ARM
DH.326	UNION	JUNCTION
DH.355	ROCIADOR LAVADO	WASHING SPRAY
DH.357	EJE	ROD
DH.358	SOPORTE	SUPPORT
DH.362	TUBO LAVADO	WASH PIPE
DH.365	ARANDELA	WASHER
DH.553	UNION GIRATORIO	GIRATORY JUNCTION
DH.555	ROMPECHORROS	SPRAY
DH.557	TORNILLO GIRATORIO	GIRATORY SCREW
DH.560	JUNTA DIFUSOR	SPRAY GASKET
DH.562	CRUZ LAVADO	WASHER CROSS
DH.566	JUNTA	GASKET
DH.576	ROMPECHORROS	SPRAY
DH.578	JUNTA	GASKET
DH.581	TAPON	LID
DH.606	COLECTOR INFERIOR	LOWER COLLECTOR
DH.609	ASTA SUPERIOR GS40 COMPLETO	GS40 COMPLETE UPPER ARM
DH.770	ROCIADOR STAR	STAR SPRAY
V..62	ABRAZADERA 12-20	12-20 CLAMP

Componentes eléctricos STAR ■ STAR Electric components

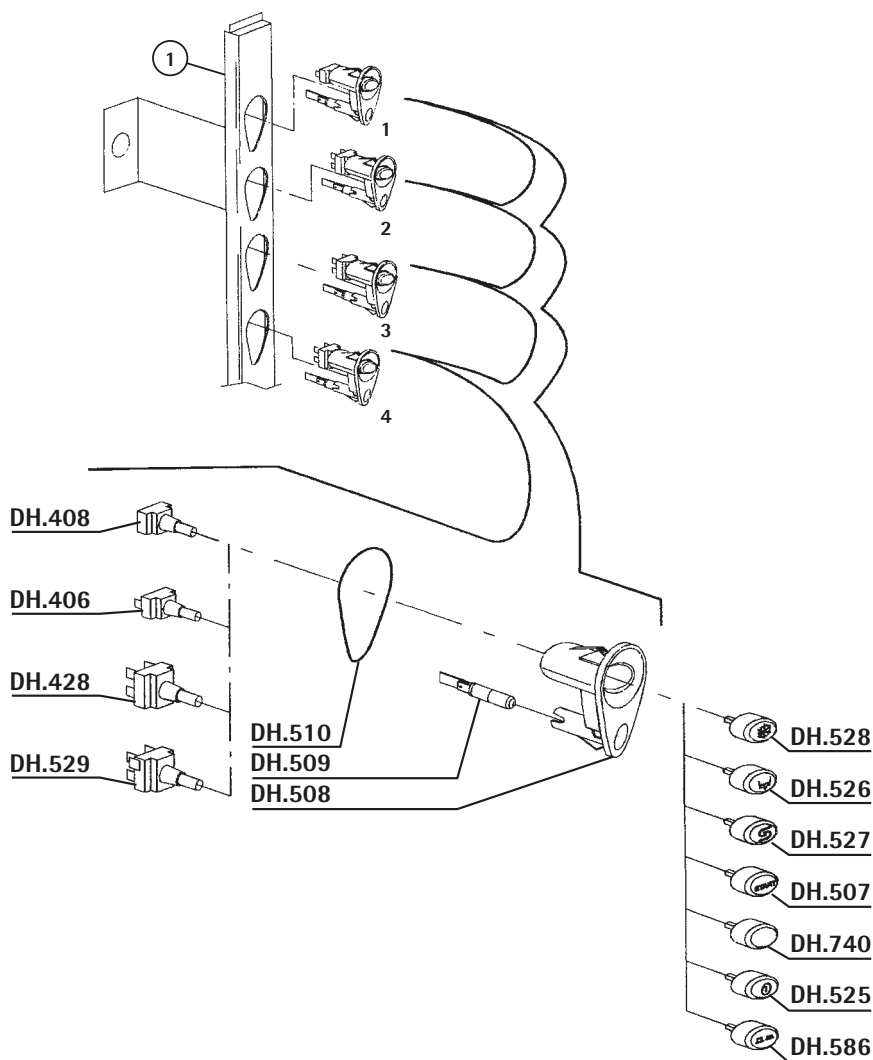


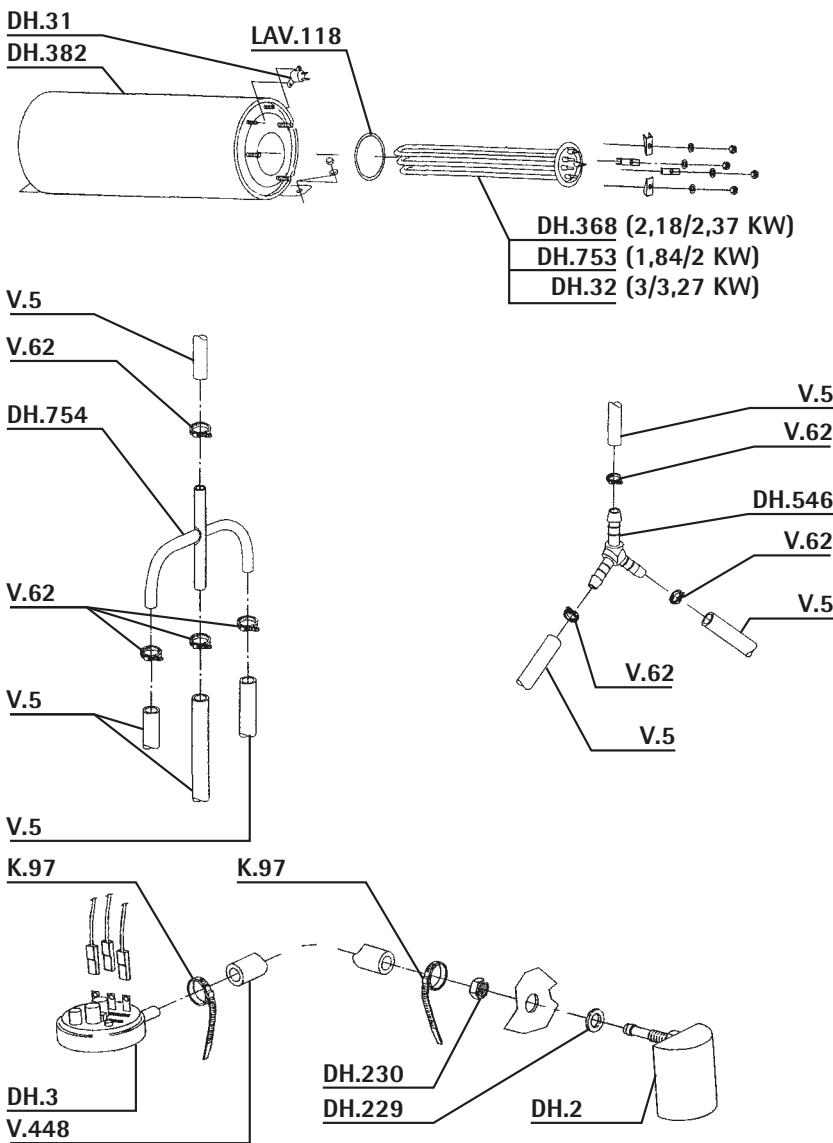
REF.	DESCRIPCIÓN	DESCRIPTION
DH...2	CAMARA PRESOSTATICA	PRESSURE SWITCH CHAMBER
DH...3	PRESOSTATO SAL	55/30 HORIZ.PRESS.SWITCH
DH.229	JUNTA ALIMENTARIA	ALIMENTARY GASKET
DH.230	TUERCA INOX	NUT
DH.231	PESO FILTRO	FILTER FITTING
DH.301	BOMBA DESAGÜE	OUTLET PUMP
DH.546	RACOR 10MM	RACCOR 10MM
DH.551	MANGUITO	SLEEVE
H25807	ABRAZADERA 25-40	25-40 CLAMP
K...97	BRIDA NYLON	5X24mm NYLON CLASP
V...5	TUBO GOMA 10X16 20 ATM	20ATM 10X17 RUBBER PIPE
V...30	RACOR ENTRADA JABON	INLET SOAP FITTING
V...59	DOSIFICADOR PERISTALTICO	DOSIMETER
V...62	ABRAZADERA 12-20	12-20 CLAMP
V...75	DOSIF.PERISTALTICO REGULA	ADJUSTABLE DOSIMETER
V..133	ELECTROVAL.2 VIA LAV.220V	WASH 2 WAYS 220V SOLENOID
V..134	ELECTROVAL.3VIA LAV.220V	WASH 3 WAYS 220V SOLENOID
V..205	DESAGÜE EXTENSIB.2mt.22x28mm	2mt EXTENSIBLE OUT PIPE
V..415	TOMA LAVADORA 1,5M	QUALITY 1.5M.INLET W.FLEX
V..448	TUBO PRESOSTATO-METRO 4X6	4X6 PRE.SWITCH INLET PIPE
V..546	JUNTA GOMA 3/4	WATER INLET RUBBER GASKET
V..611	TUBO INTERIOR DOS.PER. JABON	INLET PIPE
V..613	TUBO INTERIOR DOS.PER.ABRILLAN	RINS.AID INSIDE PIPE
V..815	TOMA LAVADORA 2 METROS	2 MT.INLET WATER FLEXIBLE
V..825	TOMA LAVADORA 1.5 "ECO"	"ECO"1.5M INLET WA.FLEXIB
V..848	TOMA LAVADORA 1.5M INOX	INOX 1.5M INLET WATER FL.
V..849	TOMA LAV.INOX 2MT.3/4X3/4	INOX 2MT.INLET WATER FLE.
V..973	DOSIFICADOR PERISTALTICO INTER	INTERNAL PERISTALTIC DOS.
V..975	DOSIFICADOR ABRILLANTADOR EXT.	EXTERNAL RINSE DOSIMETER
V..978	FILTRO DOSIFICADOR	DOSIMETER FILTER
V..980	RACOR ENTRADA JABON LARGO	LONG INLET FITTING
V.1739	DOSIF.PERISTAL.REGULABLE 24Vac	24Vac ADJUSTABLE DOSIMETER
V.1740	DOSIF.ABRILLAN.EXTERNO 24Vac	24Vac EXTERNAL RINSE DOSIMETER
V.1741	DOSIF.ABRILL.INTERNO 230V AC	230Vac INTERNAL RINSE DOSIMET
V.1800	RACOR ENTRADA JABON METALICO	METALIC DETER.INLET FITTING
V.2100	DOSIFICADOR PERISTAL.JABON 24V	24V SOAP DOSIMETER

REF.	DESCRIPCIÓN	DESCRIPTION
DH..10	TUERCA CODO DESAGÜE	OUTLET ELBOW NUT
DH..11	JUNTA GOMA	RUBBER GASKET
DH..12	CODO DESAGÜE	DRAIN ELBOW
DH..13	FILTRO BOMBA COMPLETO	COMPLET PUMP FILTER
DH..14	TUERCA FILTRO	FILTER NUT
DH..15	FILTRO INOX	INOX FILTER
DH..16	BASE FILTRO	FILTER BASE
DH..21	SOBRENIVEL	OVERFLOW
DH.313	PERNO	BOLT
DH.315	MICRO PUERTA 250V 16A	250V 16A DOOR MICROSWITCH
DH.322	INTERRUPTOR	SWITCH
DH.373	TUERCA	NUT
DH.385	EJE PUERTA	DOOR ROD
DH.386	TERMOSTATO	THERMOSTAT
DH.387	JUNTA ALIMENTARIA	ALIMENTARY GASKET
DH.388	TUERCA	NUT
DH.511	FILTRO INOX BOMBA	PUMP INOX FILTER
DH.512	TUERCA INOX FILTRO	FILTER INOX NUT
DH.523	RESISTENCIA 1850W/2020W 230/24	RESISTANCE 1850W/2020W 230/24
DH.735	PATA DERBY	DERBY FOOT
DH.738	AISLANTE MICRO	MICRO ISILATE
DH.749	BASE FILTRO 50	FILTER BASE 50
DH.750	FILTRO COMPLETO 50	50 COMPLET FILTER
DH.751	TORNILLO PUERTA	DOOR SPRING
DH.752	MUELLE PUERTA	DOOR SPRING
H25807	ABRAZADERA 25-40	25-40 CLAMP
V..201	TUBO DESAGÜE 28mm. 1,5mt.	28mm. 1.5mt OUTLET PIPE



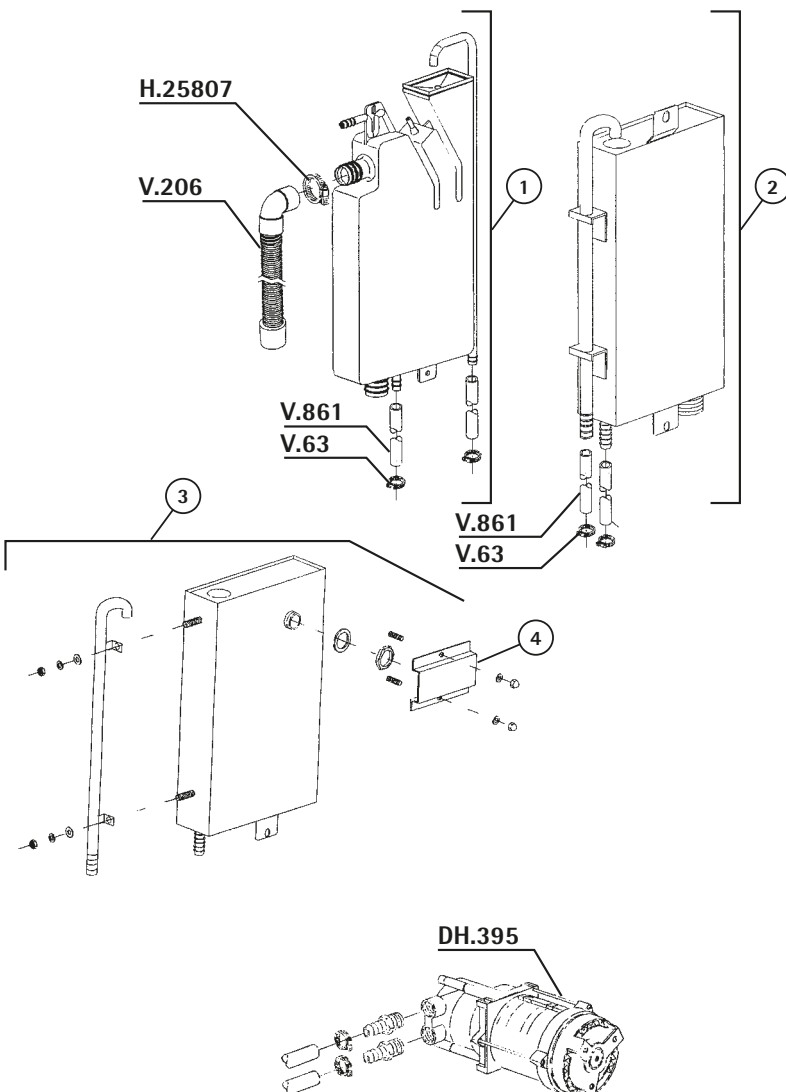
REF.	DESCRIPCIÓN	DESCRIPTION
DH.406	PULSADOR UNIPOLAR	UNIPOLAR PUSH-BUTTON
DH.408	PULSADOR	PUSH-BUTTON
DH.428	INTERRUPTOR	SWITCH
DH.507	BOTON START	START BUTTON
DH.508	SOPORTE BOTON	BUTTON SUPPORT
DH.509	LAMPARA 220V	220V LAMP
DH.510	TORICA	RING
DH.525	BOTON ON-OFF	ON-OFF BUTTON
DH.526	BOTON BOMBA VACIO	DRAIN PUMP BUTTON
DH.527	BOTON DEPURACION	PURIFIER BUTTON
DH.528	BOTON CALOR/FRIO	BUTTON HEAT/COLD
DH.529	PULSANTE BIPOLAR 16A	BIPOLAR PUSH-BUTTON 16A
DH.586	BOTON SELECTOR TIEMPO	SELECTOR TIME BUTTON
DH.740	BOTON CIEGO	BLIND BUTTON





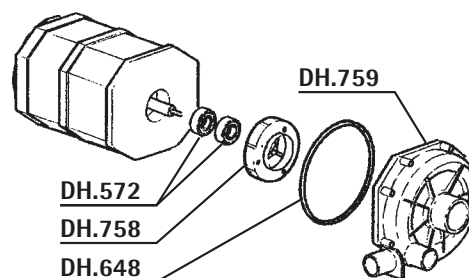
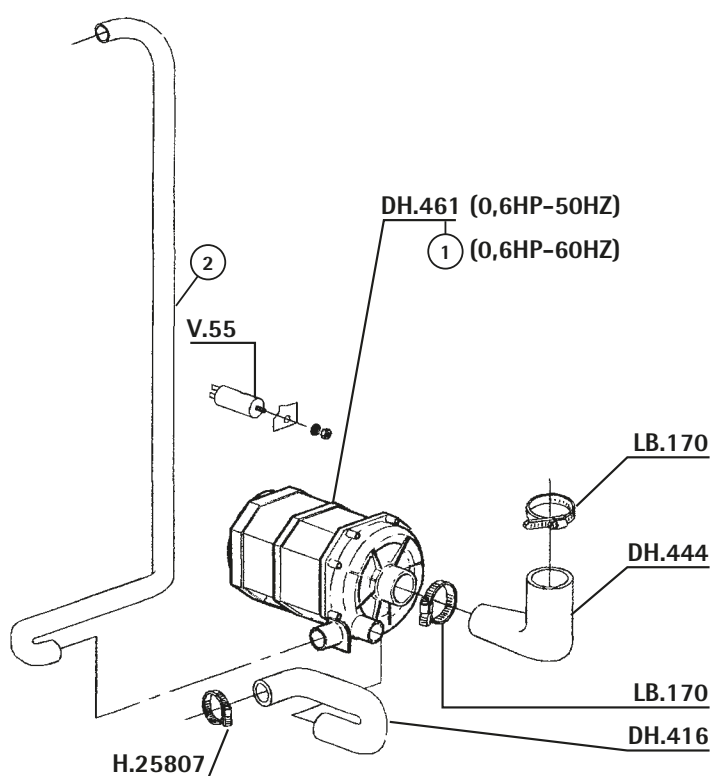
REF.	DESCRIPCIÓN	DESCRIPTION
DH...2	CAMARA PRESOSTATICA	PRESSURE SWITCH CHAMBER
DH...3	PRESOSTATO SAL	55/30 HORIZ.PRESS.SWITCH
DH...31	TERMOSTATO SEGURIDAD 110° C	110° C SAFETY THERMOSTAT
DH...32	RESIST.CALDERIN 3000W 230V	3000W 230V BOILER RESISTANCE
DH.229	JUNTA ALIMENTARIA	ALIMENTARY GASKET
DH.230	TUERCA INOX	NUT
DH.368	RESISTENCIA CALDE.2500W 230V	2500W 230V BOILER RESISTANCE
DH.382	CALDERIN	BOILER
DH.546	RACOR 10MM	RACCORD 10MM
DH.753	RESISTENCIA 1,84/2KW 2630/240V	1,84/2KW 230/240V RESISTANCE
DH.754	CRUZ 4 VIAS 10mm	10mm 4 SORTIES CROSSHEAD
K...97	BRIDA NYLON	5X24mm NYLON CLASP
LAV.118	JUNTA RESISTENCIA	RESISTANCE GASKET
V...5	TUBO GOMA 10X16 20 ATM	20ATM 10X17 RUBBER PIPE
V...62	ABRAZADERA 12-20	12-20 CLAMP
V..448	TUBO PRESOSTATO-METRO 4X6	4X6 PRE.SWITCH INLET PIPE

Motor / Depósito LINEAR ■ LINEAR Tank / Motor

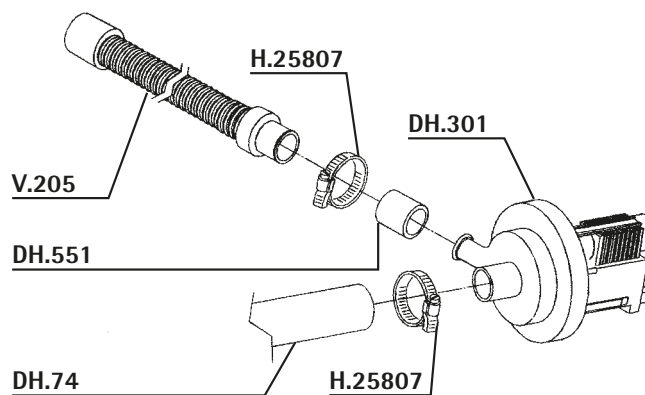
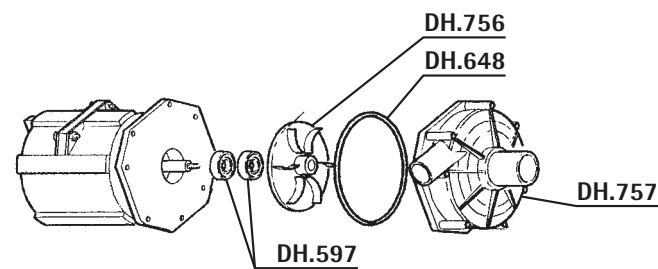
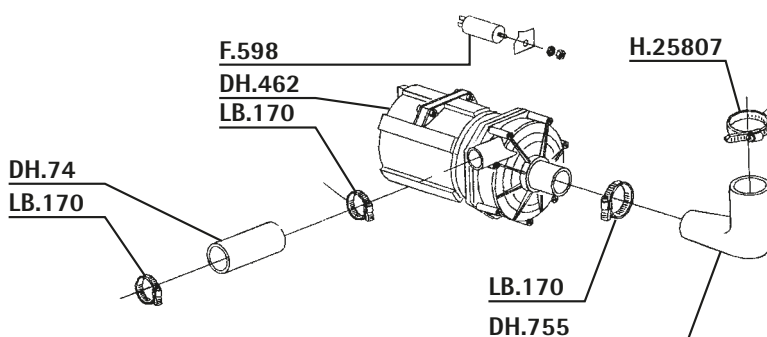


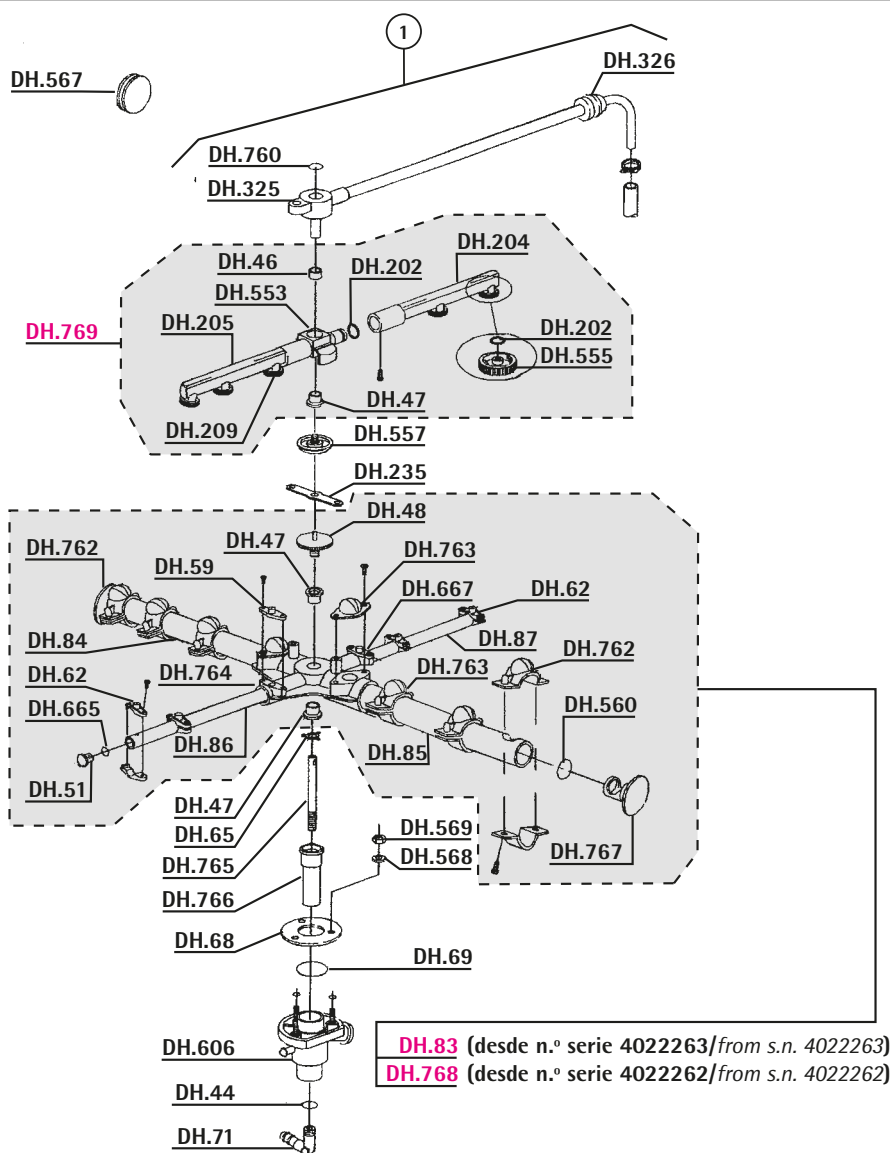
REF.	DESCRIPCIÓN	DESCRIPTION
DH.395	MOTOR	MOTOR
H25807	ABRAZADERA 25-40	25-40 CLAMP
V...63	ABRAZADERA 20-32	20-35 CLAMP
V..206	TUBO DESAGÜE CON CODO	WITH ELBOW OUTLET PIPE
V.861	TUBO GOMA 12X22mm 20ATM	20ATM 12X22mm RUBBER PIPE

REF.	DESCRIPCIÓN	DESCRIPTION
DH.416	MANGUITO	SLEEVE
DH.444	MANGUITO	SLEEVE
DH.461	MOTOR BOMBA LINEAR LS	LINEAR LS WASHING PUMP
DH.572	RETEN	MECHANICAL SEAL
DH.648	JUNTA TAPA MOTOR	MOTOR LID GASKET
DH.758	TURBINA	TURBINE
DH.759	TAPA MOTOR DH461	MOTOR LID DH461
H25807	ABRAZADERA 25-40	25-40 CLAMP
LB.170	ABRAZADERA 40-60	40-60 CLAMP
V...55	CONDENSADOR 10 MF 220V	220V 10MF.CONDENSER



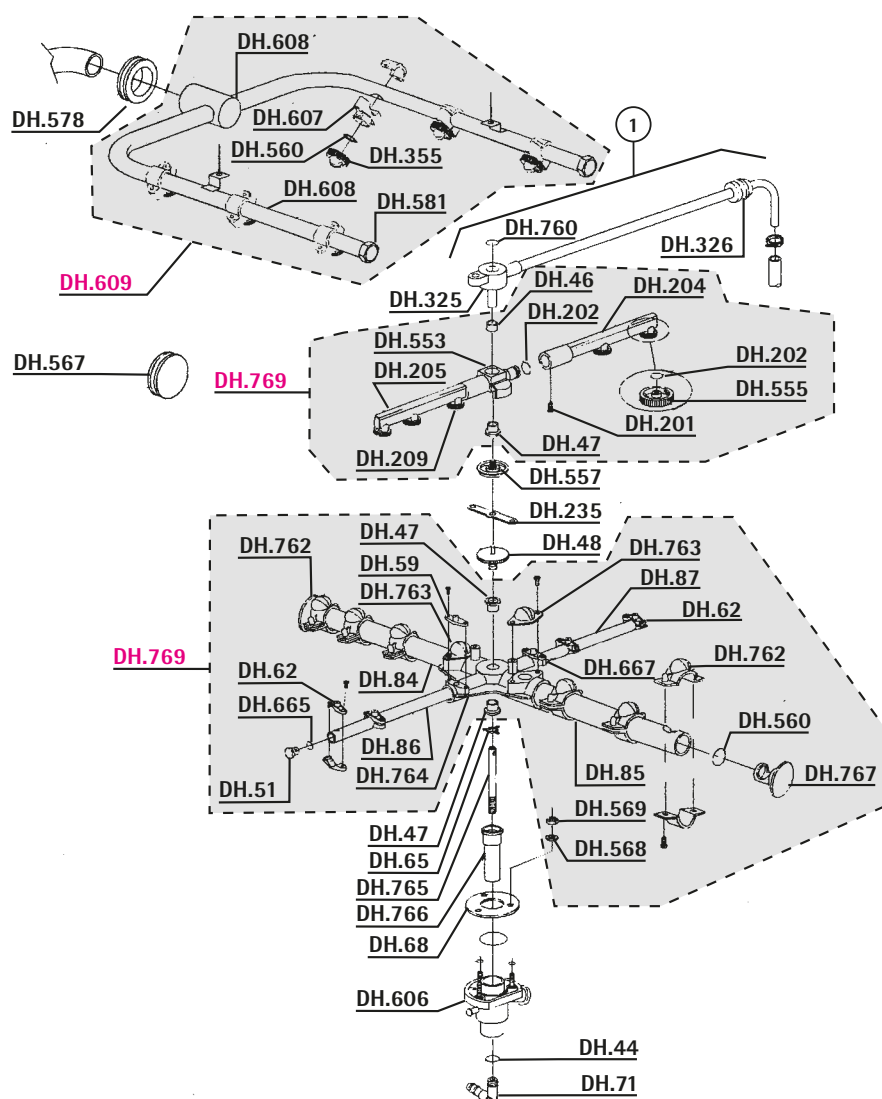
REF.	DESCRIPCIÓN	DESCRIPTION
DH..74	MANGUITO	SLEEVE
DH.301	BOMBA DESAGÜE	OUTLET PUMP
DH.462	MOTOR BOMBA LINEAR CF	LINEAR CF WASHING PUMP
DH.551	MANGUITO	SLEEVE
DH.597	RETEN MOTOR DH105	MOTOR MECHANICAL SEAL
DH.648	JUNTA TAPA MOTOR	MOTOR LID GASKET
DH.755	CODO	ELBOW
DH.756	TURBINA LINEAR	LINEAR TURBINE
DH.757	TAPA MOTOR LINEAR	LINEAT MOTOR LID
F.598	CONDENSADOR 8 MF.220V	220V 8MF CONDENSER
H25807	ABRAZADERA 25-40	25-40 CLAMP
LB.170	ABRAZADERA 40-60	40-60 CLAMP
V..205	DESAGÜE EXTENSIB.2mt.22x28mm	2mt EXTENSIBLE OUT PIPE





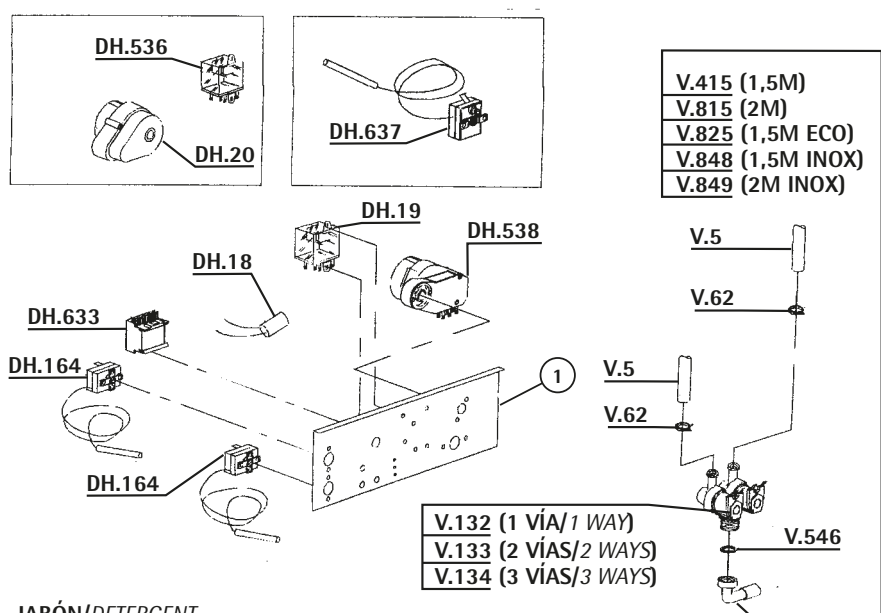
REF.	DESCRIPCIÓN	DESCRIPTION
DH..44	TORICA VITON	VITON RING
DH..46	ANILLO EJE	ROD RING
DH..47	CASQUILLO PLASTICO	CAP
DH..48	FIJACION ACLARADO SUP.	UPPER RINSE FIRMNESS
DH..51	TAPON TUBO ACLARADO	RINSE PIPE CAP
DH..59	ROCIADOR ACLARADO	RINSE SPRAY
DH..62	ROCIADOR ACLARADO	RINSE SPRAY
DH..65	GUIA EJE	ROD GUIDE
DH..68	DISCO INOX	INOX DISK
DH..69	TORICA	RING
DH..71	CODO 3/8M-BOQUILLA	3/8M-HOSE STEP ELBOW
DH..83	ARBOL LAV./ACLA.INF.GS40W	GS 40W WASH/RINSE TREE
DH..84	TUBO LAVADO IZQUIERDO	LEFT WASHING PIPE
DH..85	TUBO LAVADO DERECHO	RIGHT WASHING PIPE
DH..86	TUBO ACLARADO DERECHO	RIGHT RINSE PIPE
DH..87	TUBO ACLARADO IZQUIERDO	LEFT RINSE PIPE
DH.202	TORICA VITON	VITON RING
DH.204	TUBO IZDO.ACLARADO SUP.	UPPER RINSE LEFT PIPE
DH.205	TUBO DRCH.ACLARADO SUP.	UPPER RIGHT RINSE PIPE
DH.209	ROCIADOR ACLARADO CIEGO	BLIND RINSE SPRAY
DH.235	CLAPETA	CLIP
DH.325	RACOR SUPERIOR	UPPER FITTING
DH.326	UNION	JUNCTION
DH.553	UNION GIRATORIO	GIRATORY JUNCTION
DH.555	ROMPECHORROS	SPRAY
DH.557	TORNILLO GIRATORIO	GIRATORY SCREW
DH.560	JUNTA DIFUSOR	SPRAY GASKET
DH.567	JUNTA	GASKET
DH.568	ARANDELA M5 INOX	WASHER M5 INOX
DH.569	TUERCA M5 INOX	NUT M5 INOX
DH.606	COLECTOR INFERIOR	LOWER COLLECTOR
DH.665	JUNTA LATERAL	LATERAL GASKET
DH.667	ROCIADOR PLANO	PLANE SPRAY
DH.760	JUNTA 10x5x1	10x5x1 GASKET
DH.762	ROCIADOR PARTE SUPERIOR	UPPER SPRAY
DH.763	ROCIADOR PARTE SUPERIOR	UPPER SPRAY
DH.764	CRUCETA	CROSS
DH.765	EJE	ROD
DH.766	SOPORTE GIRATORIO	GIRATORY SUPPORT
DH.767	TAPON GIRATORIO	GIRATORY COVER
DH.768	GIRATORIO COMPLETO LINEAR	LINEAR COMPLET GIRATORY
DH.769	GIRATORIO COMPLETO LINEAR	LINEAR COMPLET GIRATORY

Lavado / Aclarado LINEAR (2) ■ LINEAR Rinse/ Wash (2)



REF.	DESCRIPCIÓN	DESCRIPTION
DH..44	TORICA VITON	VITON RING
DH..46	ANILLO EJE	ROD RING
DH..47	CASQUILLO PLASTICO	CAP
DH..48	FIJACION ACLARADO SUP.	UPPER RINSE FIRMNESS
DH..51	TAPON TUBO ACLARADO	RINSE PIPE CAP
DH..59	ROCIADOR ACLARADO PLANO	FLAT RINSE SPRAY
DH..62	ROCIADOR ACLARADO	RINSE SPRAY
DH..65	GUIA EJE	ROD GUIDE
DH..68	DISCO INOX	INOX DISK
DH..71	CODO 3/8M-BOQUILLA	3/8M-HOSE STEP ELBOW
DH..84	TUBO LAVADO IZQUIERDO	LEFT WASHING PIPE
DH..85	TUBO LAVADO DERECHO	RIGHT WASHING PIPE
DH..86	TUBO ACLARADO DERECHO	RIGHT RINSE PIPE
DH..87	TUBO ACLARADO IZQUIERDO	LEFT RINSE PIPE
DH.201	TORNILLO	SCREW
DH.202	TORICA VITON	VITON RING
DH.204	TUBO IZDO.ACLARADO SUP.	UPPER RINSE LEFT PIPE
DH.205	TUBO DRCH.ACLARADO SUP.	UPPER RIGHT RINSE PIPE
DH.209	ROCIADOR ACLARADO CIEGO	BLIND RINSE SPRAY
DH.235	CLAPETA	CLIP
DH.325	RACOR SUPERIOR	UPPER FITTING
DH.326	UNION	JUNCTION
DH.355	ROCIADOR LAVADO	WASHING SPRAY
DH.553	UNION GIRATORIO	GIRATORY JUNCTION
DH.555	ROMPECHORROS	SPRAY
DH.557	TORNILLO GIRATORIO	GIRATORY SCREW
DH.560	JUNTA DIFUSOR	SPRAY GASKET
DH.567	JUNTA	GASKET
DH.568	ARANDELA M5 INOX	WASHER M5 INOX
DH.569	TUERCA M5 INOX	NUT M5 INOX
DH.578	JUNTA	GASKET
DH.581	TAPON	LID
DH.606	COLECTOR INFERIOR	LOWER COLLECTOR
DH.607	BRIDA DIFUSOR	SPRAY CLASP
DH.608	ASTA SUPERIOR GS40	GS40 UPPER ARM
DH.609	ASTA SUPERIOR GS40 COMPLETO	GS40 COMPLETE UPPER ARM
DH.665	JUNTA LATERAL	LATERAL GASKET
DH.667	ROCIADOR PLANO	PLANE SPRAY
DH.760	JUNTA 10x5x1	10x5x1 GASKET
DH.762	ROCIADOR PARTE SUPERIOR	UPPER SPRAY
DH.763	ROCIADOR PARTE SUPERIOR	UPPER SPRAY
DH.764	CRUCETA	CROSS
DH.765	EJE	ROD
DH.766	SOPORTE GIRATORIO	GIRATORY SUPPORT
DH.767	TAPON GIRATORIO	GIRATORY COVER
DH.769	GIRATORIO COMPLETO LINEAR	LINEAR COMPLET GIRATORY

REF.	DESCRIPCIÓN	DESCRIPTION
DH..18	FILTRO ANTIPARASITARIO	ANTIPARASTIC FILTER
DH..19	RELE 16A 230V	230V 16A RELAY
DH..20	TEMPORIZAD.3MICROS 18MIN.	3TOOTH 18MIN.TIMER
DH.164	TERMOSTATO 0-90°	0-90° THERMOSTAT
DH.231	PESO FILTRO	FILTER FITTING
DH.536	RELE	RELAY
DH.538	PROGRAMADOR 50HZ CON TEMOSTOP	WITH THERMOSTOP TIMER
DH.633	CONTACTOR 230V 50/60HZ 4C	CONTACTOR 230V 50/60HZ 4C
DH.637	TERMOSTATO DE SEGURIDAD 110° C	SAFETY THERMOSTAT 110° C
V...5	TUBO GOMA 10X16 20 ATM	20ATM 10X17 RUBBER PIPE
V...30	RACOR ENTRADA JABON	INLET SOAP FITTING
V..59	DOSIFICADOR PERISTALTICO	DOSIMETER
V..62	ABRAZADERA 12-20	12-20 CLAMP
V..75	DOSIF.PERISTALTICO REGULA	ADJUSTABLE DOSIMETER
V..132	ELECTROVAL.1 VIA LAV.220V	WASH 1 WAY 220V SOLENOID
V..133	ELECTROVAL.2 VIA LAV.220V	WASH 2 WAYS 220V SOLENOID
V..134	ELECTROVAL.3VIA LAV.220V	WASH 3 WAYS 220V SOLENOID
V..415	TOMA LAVADORA 1,5M	QUALITY 1.5M.INLET W.FLEX
V..448	TUBO PRESOSTATO-METRO 4X6	4X6 PRE.SWITCH INLET PIPE
V..546	JUNTA GOMA 3/4	WATER INLET RUBBER GASKET
V..611	TUBO INTERIOR DOS.PER. JABON	INLET PIPE
V..613	TUBO INTERIOR DOS.PER.ABRILLAN	RINS.AID INSIDE PIPE
V..815	TOMA LAVADORA 2 METROS	2 MT.INLET WATER FLEXIBLE
V..825	TOMA LAVADORA 1.5 "ECO"	"ECO"1.5M INLET WA.FLEXIB
V..848	TOMA LAVADORA 1.5M INOX	INOX 1.5M INLET WATER FL.
V..849	TOMA LAV.INOX 2MT.3/4X3/4	INOX 2MT.INLET WATER FLE.
V..973	DOSIFICADOR PERISTALTICO INTER	INTERNAL PERISTALTIC DOS.
V..975	DOSIFICADOR ABRILLANTADOR EXT.	EXTERNAL RINSE DOSIMETER
V..978	FILTRO DOSIFICADOR	DOSIMETER FILTER
V..980	RACOR ENTRADA JABON LARGO	LONG INLET FITTING
V.1739	DOSIF.PERISTAL.REGULABLE 24Vac	24Vac ADJUSTABLE DOSIMETER
V.1740	DOSIF.ABRILLAN.EXTERNO 24Vac	24Vac EXTERNAL RINSE DOSIMETER
V.1741	DOSIF.ABRILL.INTERNO 230V AC	230Vac INTERNAL RINSE DOSIMET
V.1800	RACOR ENTRADA JABON METALICO	METALIC DETER.INLET FITTING
V.2100	DOSIFICADOR PERISTAL.JABON 24V	24V SOAP DOSIMETER



JABÓN/DETERGENT

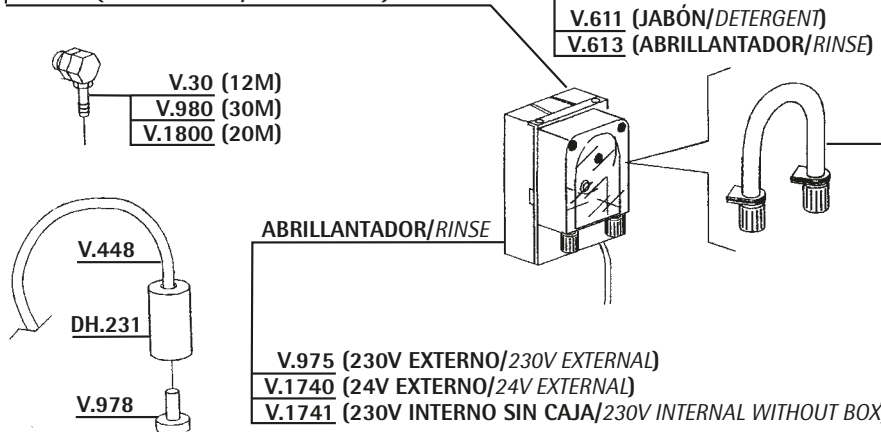
V.59 (230V EXTERNO/230V EXTERNAL)

V.75 (230V EXTERNO REGULABLE/230V EXTERNAL ADJUSTABLE)

V.1739 (24V EXTERNO REGULABLE/24V EXTERNAL ADJUSTABLE)

V.973 (230V INTERNO SIN CAJA/230V INTERNAL WITHOUT BOX)

V.2100 (24V EXTERNO/24V EXTERNAL)

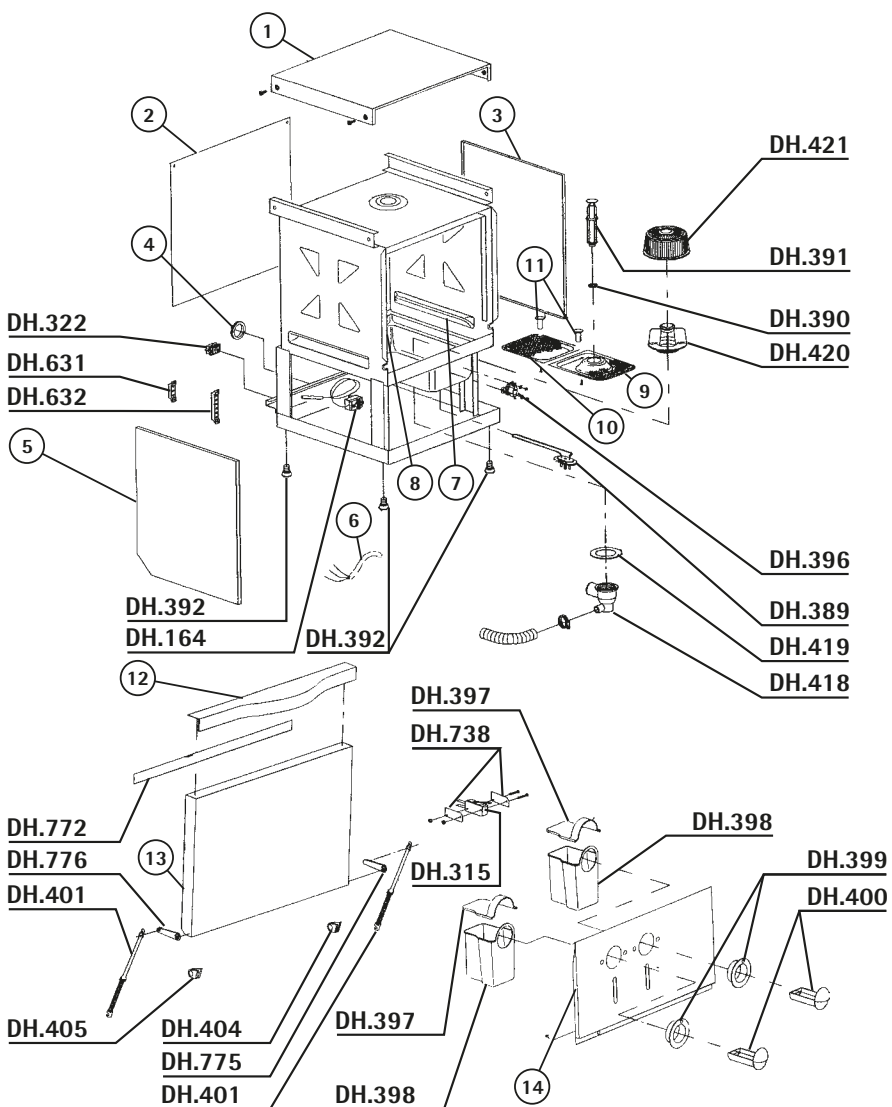


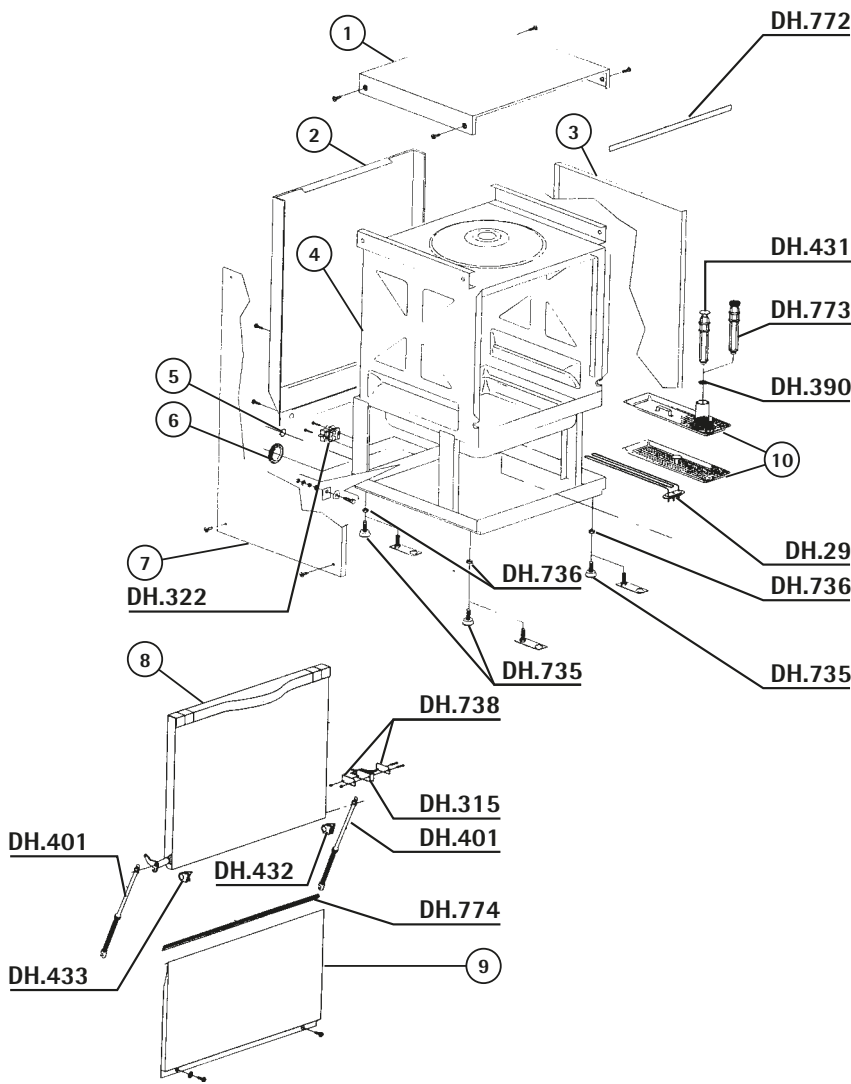
V.975 (230V EXTERNO/230V EXTERNAL)

V.1740 (24V EXTERNO/24V EXTERNAL)

V.1741 (230V INTERNO SIN CAJA/230V INTERNAL WITHOUT BOX)

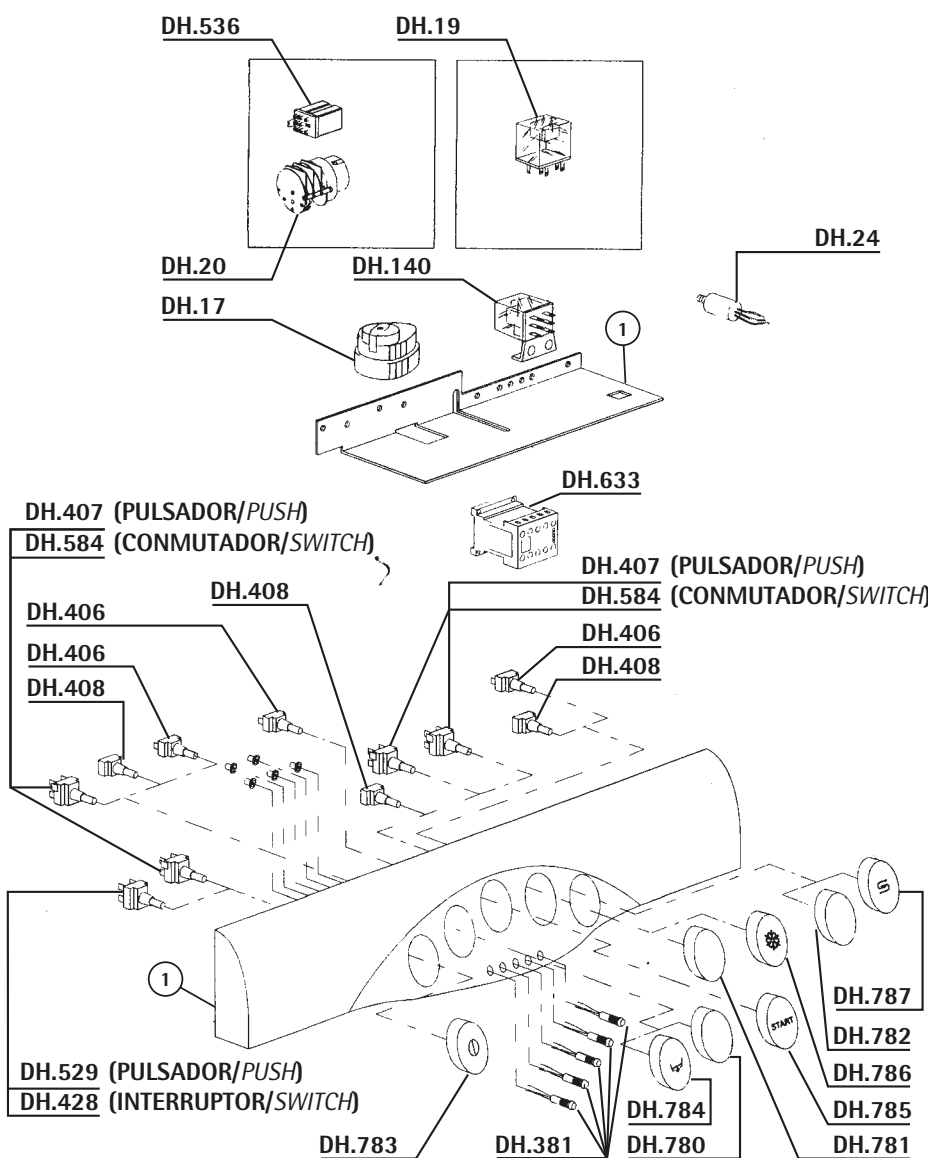
REF.	DESCRIPCIÓN	DESCRIPTION
DH.164	TERMOSTATO 0-90°	0-90° THERMOSTAT
DH.315	MICRO PUERTA 250V 16A	250V 16A DOOR MICROSWITCH
DH.322	INTERRUPTOR	SWITCH
DH.389	RESISTENCIA CUBA 1200W 230V	1200W 230V TANK RESISTANCE
DH.390	COLLARIN GOMA	RUBBER GASKET
DH.391	SOBRENIVEL	OVERFLOW
DH.392	PATA	FOOT
DH.396	TERMOSTATO	THERMOSTAT
DH.397	TAPA	LID
DH.398	CONTENEDOR	CONTAINER
DH.399	EMBELLECEDOR	LID
DH.400	CAJON	DRAWER
DH.401	MUELLE PUERTA	DOOR SPRING
DH.404	EJE BISAGRA DERECHA	RIGHT HINGE ROD
DH.405	EJE BISAGRA IZQUIERDA	LEFT HINGE ROD
DH.418	RACOR	FITTING
DH.419	JUNTA GOMA	RUBBER GASKET
DH.420	BASE FILTRO	FILTER BASE
DH.421	FILTRO	FILTER
DH.631	REGLETA 3 POLOS	CONNECTOR
DH.632	REGLETA 6 POLOS	CONNECTOR
DH.738	AISLANTE MICRO	MICRO ISILATE
DH.772	JUNTA PUERTA TEKNO 4	TEKNO 4 DOOR GASKET
DH.775	BISAGRA DERECHA PUERTA	DOOR RIGHT HINGE
DH.776	BISAGRA IZQUIERDA PUERTA	DOOR LEFT HINGE





REF.	DESCRIPCIÓN	DESCRIPTION
DH..29	RESIST.CUBA 2700W 230V	2700W 230V TANK RESISTANCE
DH.315	MICRO PUERTA 250V 16A	250V 16A DOOR MICROSWITCH
DH.322	INTERRUPTOR	SWITCH
DH.390	COLLARIN GOMA	RUBBER GASKET
DH.401	MUELLE PUERTA	DOOR SPRING
DH.431	SOBRENIVEL	OVERFLOW
DH.432	TOPE BISAGRA DERECHA	RIGHT HINGE STOP
DH.433	TOPE BISAGRA IZQUIERDA	LEFT HINGE STOP
DH.735	PATA DERBY	DERBY FOOT
DH.736	TUERCA PATA DERBY	NUT
DH.738	AISLANTE MICRO	MICRO ISILATE
DH.772	JUNTA PUERTA TEKNO 4	TEKNO 4 DOOR GASKET
DH.773	SOBRENIVEL TEKNO 6	TEKNO 6 OVERFLOW
DH.774	JUNTA PUERTA TEKNO 6	TEKNO 6 DOOR GASKET

Panel de mandos / Panel eléctrico TEKNO 4 ■ TEKNO 4 Control panel / Electric panel

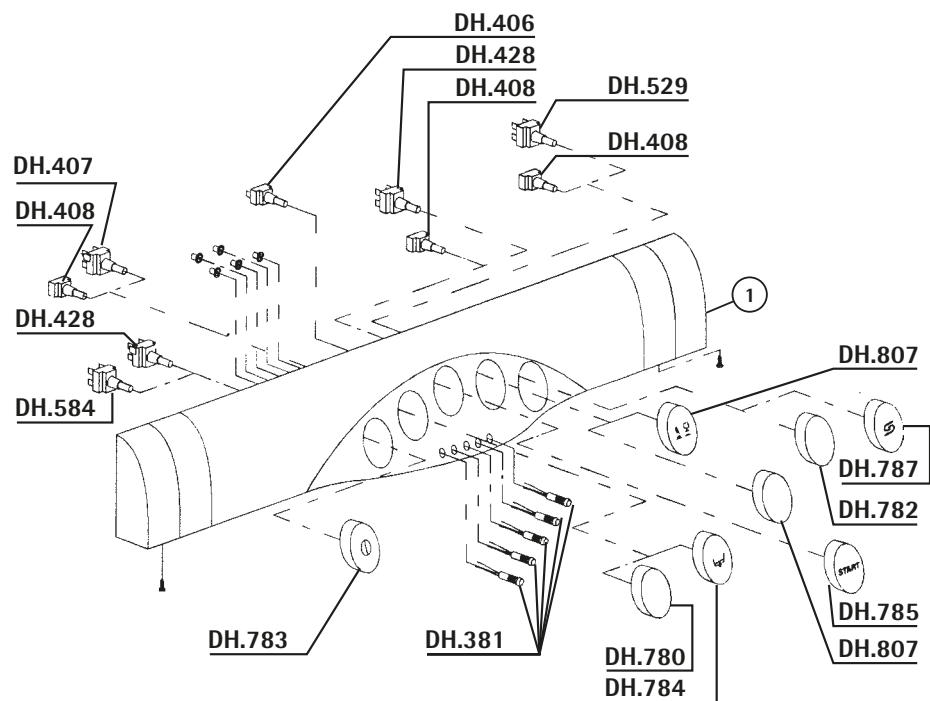


REF.	DESCRIPCIÓN	DESCRIPTION
DH..17	TEMPORIZADOR 2MICROS 150Y4	2TOOTH 150" TIMER
DH..19	RELE 16A 230V	230V 16A RELAY
DH..20	TEMPORIZAD.3MICROS 18MIN.	3TOOTH 18MIN.TIMER
DH..24	FILTRO ANTIPARASITARIO	ANTIPARASTIC FILTER
DH.140	RELE BIPOLAR 16A	16A RELAY
DH.381	PILOTO	WARNING LAMP
DH.406	PULSADOR UNIPOLAR	UNIPOLAR PUSH-BUTTON
DH.407	PULSADOR BIPOLAR	BIPOLAR PUSH-BUTTON
DH.408	PULSADOR	PUSH-BUTTON
DH.428	INTERRUPTOR	SWITCH
DH.529	PULSANTE BIPOLAR 16A	BIPOLAR PUSH-BUTTON 16A
DH.536	RELE	RELAY
DH.584	CONMUTADOR BIPOLAR 16A	16A BIPOLAR SWITCH
DH.633	CONTACTOR 230V 50/60HZ 4C	CONTACTOR 230V 50/60HZ 4C
DH.780	BOTON 2 CON PUNTO	TWO PUSH-BUTTON
DH.781	BOTON 4 CON PUNTO	FOUR PUSH-BUTTON
DH.782	BOTON 5 CON PUNTO	FIVE PUSH-BUTTON
DH.783	BOTON ON-OFF	ON-OFF BUTTON
DH.784	BOTON BOMBA DESAGÜE	DRAIN PUMP BUTTON
DH.785	BOTON START	START BUTTON
DH.786	BOTON FRIO/CALOR	HEAT/COOL BUTTON
DH.787	BOTON DEPURACION	PURIFIER BUTTON

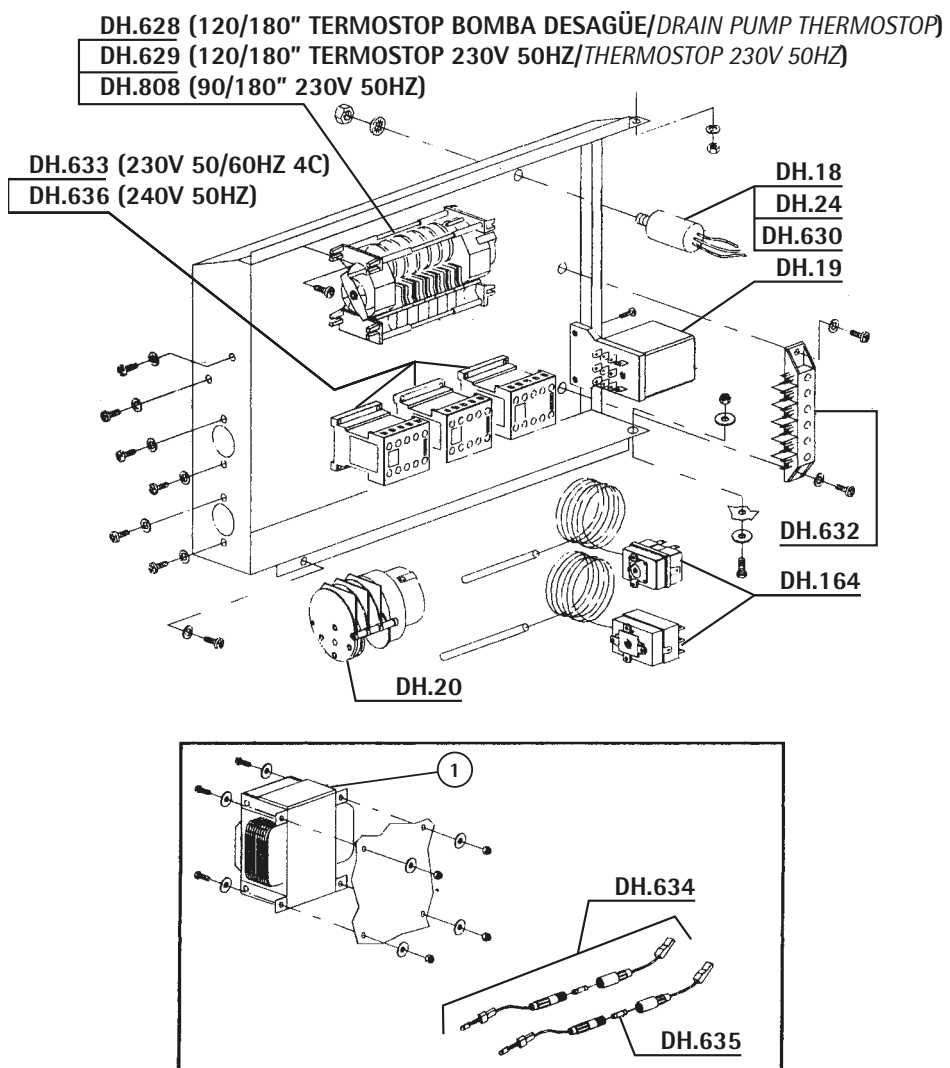
Solicite el DVD, incluye todos nuestros catálogos. Más de 50.000 artículos

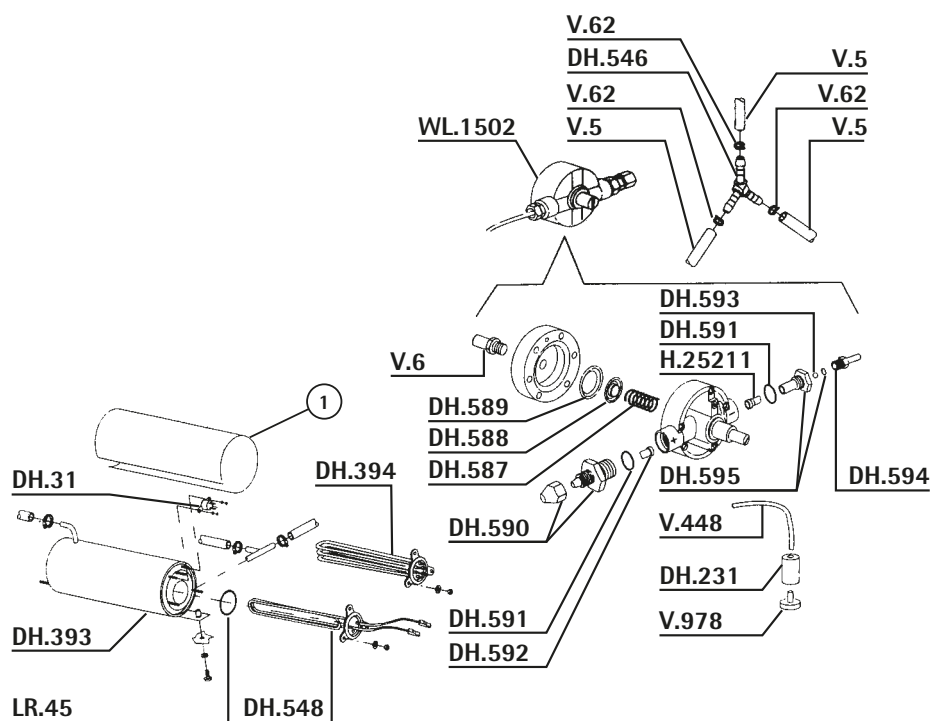


REF.	DESCRIPCIÓN	DESCRIPTION
DH.381	PILOTO	WARNING LAMP
DH.406	PULSADOR UNIPOLAR	UNIPOLAR PUSH-BUTTON
DH.407	PULSADOR BIPOLAR	BIPOLAR PUSH-BUTTON
DH.408	PULSADOR	PUSH-BUTTON
DH.428	INTERRUPTOR	SWITCH
DH.529	PULSANTE BIPOLAR 16A	BIPOLAR PUSH-BUTTON 16A
DH.584	CONMUTADOR BIPOLAR 16A	16A BIPOLAR SWITCH
DH.780	BOTON 2 CON PUNTO	TWO PUSH-BUTTON
DH.782	BOTON 5 CON PUNTO	FIVE PUSH-BUTTON
DH.783	BOTON ON-OFF	ON-OFF BUTTON
DH.784	BOTON BOMBA DESAGÜE	DRAIN PUMP BUTTON
DH.785	BOTON START	START BUTTON
DH.787	BOTON DEPURACION	PURIFIER BUTTON
DH.807	BOTON SELECTOR TIEMPO	SELECTOR TIMER BUTTON

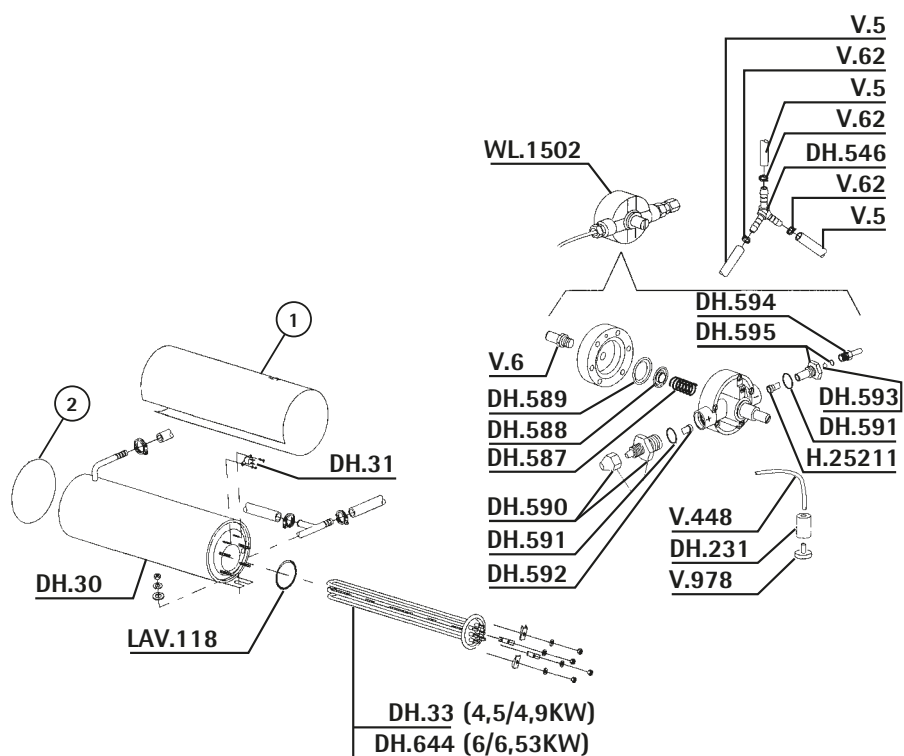


REF.	DESCRIPCIÓN	DESCRIPTION
DH..18	FILTRO ANTIPARASITARIO	ANTIPARASTIC FILTER
DH..19	RELE 16A 230V	230V 16A RELAY
DH..20	TEMPORIZAD.3MICROS 18MIN.	3TOOTH 18MIN.TIMER
DH..24	FILTRO ANTIPARASITARIO	ANTIPARASTIC FILTER
DH.164	TERMOSTATO 0-90°	0-90° THERMOSTAT
DH.628	TIMER 120"/180" TERMOSTOP-BOMB	TIMER 120"/180" THERMOSTOP-DRA
DH.629	TIMER 120"/180" 230V 50HZ TERM	TIMER 120"/180" 230V 50HZ THER
DH.630	FILTRO ANTIPARASITARIO F3 440V	F3 440V ac 3 ANTIPARASTIC FIL
DH.632	REGLETA 6 POLOS	CONNECTOR
DH.633	CONTACTOR 230V 50/60HZ 4C	CONTACTOR 230V 50/60HZ 4C
DH.634	PORTA FUSIBLE	FUSE HOLDER
DH.635	FUSIBLE	HOLDER
DH.636	CONTACTOR 240V 50HZ	CONTACTOR
DH.808	TIMER 90"/180" 230V 50HZ	90"/180" 230V 50HZ TIMER



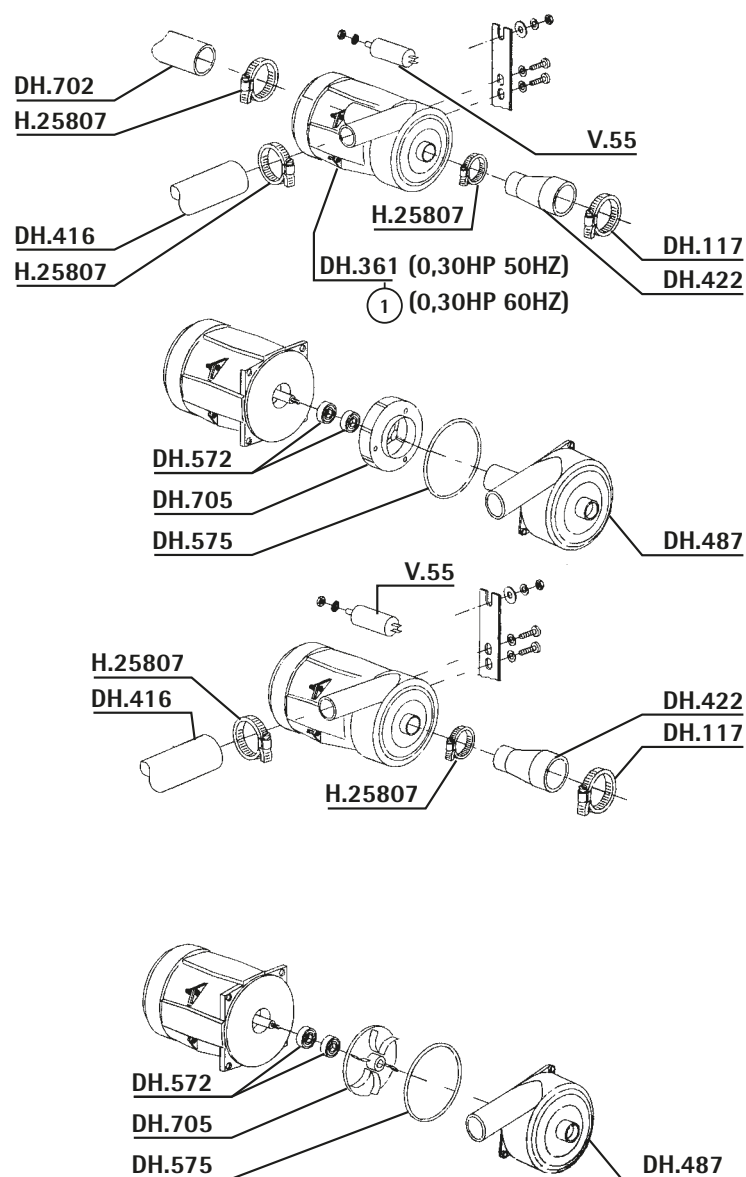


REF.	DESCRIPCIÓN	DESCRIPTION
DH..31	TERMOSTATO SEGURIDAD 110° C	110° C SAFETY THERMOSTAT
DH.231	PESO FILTRO	FILTER FITTING
DH.393	CALDERIN TEKNO 4	TEKNO 4 BOILER
DH.394	RESISTENC.CALDERIN 4000W	4000W BOILER RESISTANCE
DH.546	RACOR 10MM	RACCORD 10MM
DH.548	RESISTENCIA 2800W 230V	RESISTANCE 2800W 230V
DH.587	MUELLE DOSIFICADOR ABRILLANTAD	RINSE AID SPRING
DH.588	DISCO MEMBRANA	MEMBRANE DISK
DH.589	MEMBRANA SILICONA	SILICONE MEMBRANE
DH.590	RACOR ASPIRACION	SUCTION FITTING
DH.591	JUNTA DOSIFICADOR ABRILLANTADO	RINSE AID DOSIMETER GASKET
DH.592	VALVULA SILICONA	SILICONE VALVE
DH.593	ESFERA TEFLON	TEFLON SPHERE
DH.594	RACOR LATON DOSIFICADOR ABRILL	RINSE AID SPRING
DH.595	GUIA VALVULA	VALVE GUIDE
H25211	VALVULA ABRILLANTADOR	VALVE
LR..45	TORICA GOMA	RUBBER RING
V...5	TUBO GOMA 10X16 20 ATM	20ATM 10X17 RUBBER PIPE
V...6	RACOR DOSIF.ABRILL.D=10mm	D=10mm DOSIMETER FITTING
V...62	ABRAZADERA 12-20	12-20 CLAMP
V.448	TUBO 4X6 mm	4X6 mm PIPE
V..978	FILTRO DOSIFICADOR	DOSIMETER FILTER
WL1502	DOSIFICADOR ABRILLANTADOR	RINSE AID DOSIMETER

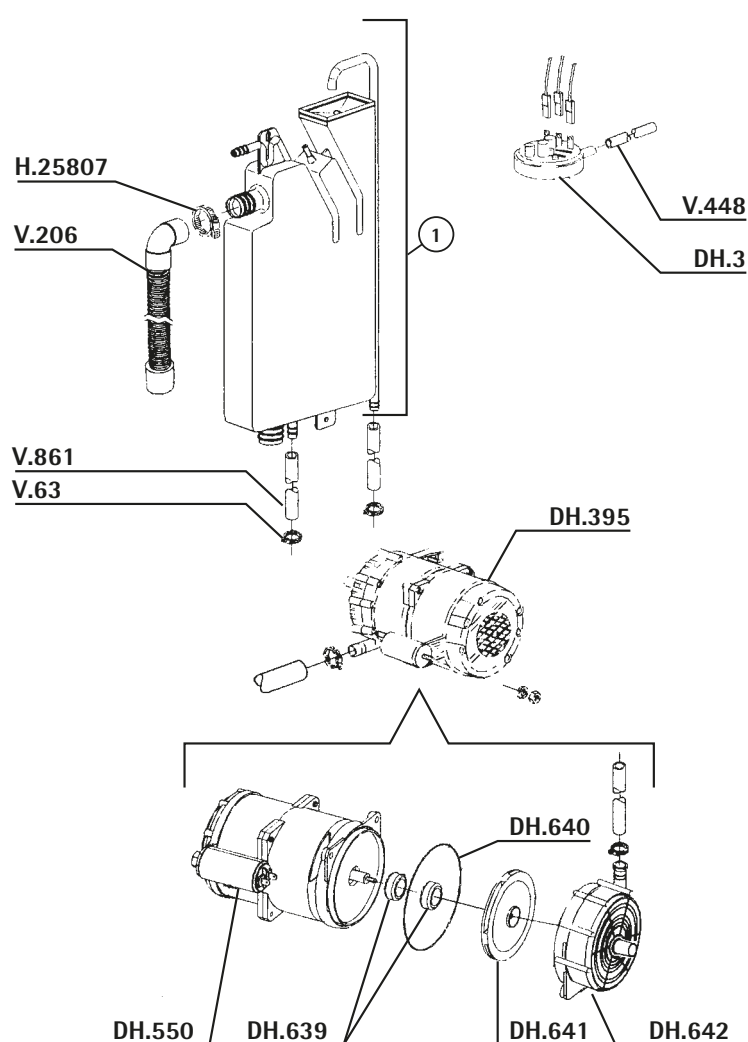


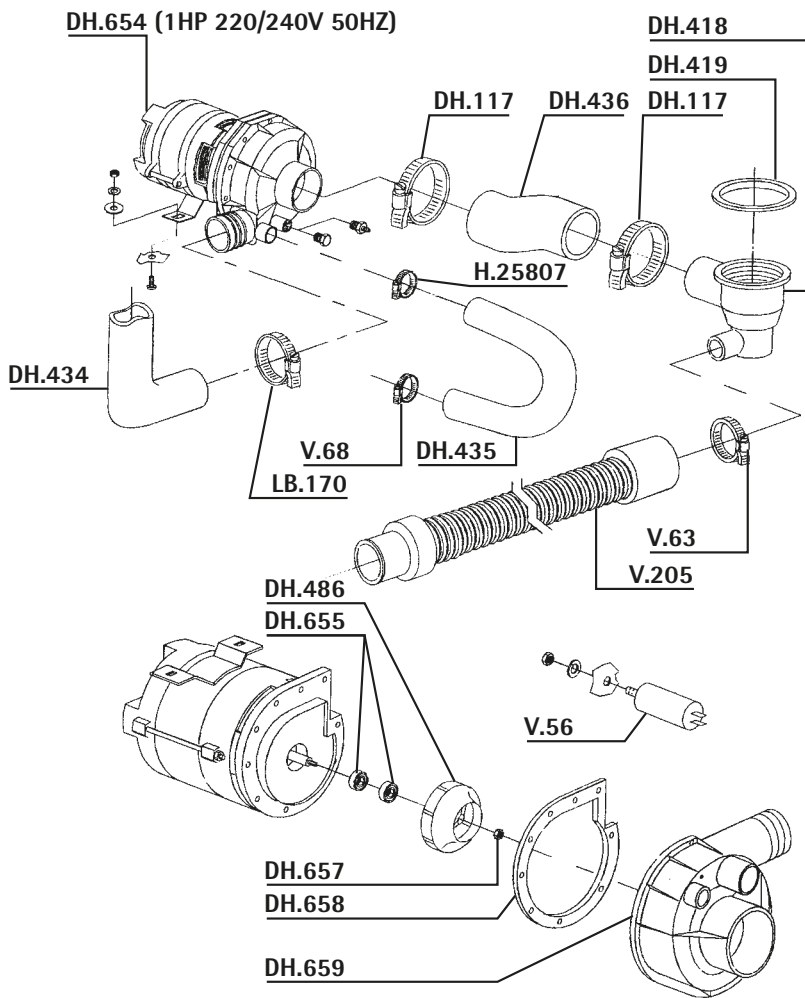
REF.	DESCRIPCIÓN	DESCRIPTION
DH..30	CALDERIN	BOILER
DH..31	TERMOSTATO SEGURIDAD 110° C	110° C SAFETY THERMOSTAT
DH..33	RESIST.CALDERIN 4500W/220V	4500W BOILER RESISTANCE
DH.231	PESO FILTRO	FILTER FITTING
DH.546	RACOR 10MM	RACCORD 10MM
DH.587	MUELLE DOSIFICADOR ABRILLANTAD	RINSE AID SPRING
DH.588	DISCO MEMBRANA	MEMBRANE DISK
DH.589	MEMBRANA SILICONA	SILICONE MEMBRANE
DH.590	RACOR ASPIRACION	SUCTION FITTING
DH.591	JUNTA DOSIFICADOR ABRILLANTADO	RINSE AID DOSIMETER GASKET
DH.592	VALVULA SILICONA	SILICONE VALVE
DH.593	ESFERA TEFLON	TEFLON SPHERE
DH.594	RACOR LATON DOSIFICADOR ABRILL	RINSE AID SPRING
DH.595	GUIA VALVULA	VALVE GUIDE
DH.644	RESISTENCIA 6/6,53KW 230/240V	RESISTANCE 6/6 53Kw 230/240V
H25211	VALVULA ABRILLANTADOR	VALVE
LAV118	TORICA GOMA	RING
V...5	TUBO GOMA 10X16 20 ATM	20ATM 10X17 RUBBER PIPE
V...6	RACOR DOSIF.ABRILL.D=10mm	D=10mm DOSIMETER FITTING
V...62	ABRAZADERA 12-20	12-20 CLAMP
V.448	TUBO PRESOSTATO-METRO 4X6	4X6 PRE.SWITCH INLET PIPE
V..978	FILTRO DOSIFICADOR	DOSIMETER FILTER
WL1502	DOSIFICADOR ABRILLANTADOR	RINSE AID DOSIMETER

REF.	DESCRIPCIÓN	DESCRIPTION
DH.117	ABRAZADERA 46-70	46-70 CLAMP
DH.361	MOTOR 0.30HP 3 VIAS	3 WAYS 0.30HP MOTOR
DH.416	MANGUITO	SLEEVE
DH.422	MANGUITO	SLEEVE
DH.487	TAPA MOTOR DH.361	DH.361 MOTOR LID
DH.572	RETEN	MECHANICAL SEAL
DH.575	JUNTA MOTOR	MOTOR GASKET
DH.702	TUBO BOMBA ASPIRACION	PIPE PUMP
DH.705	JUNTA TAPA MOTOR	MOTOR LID GASKET
H25807	ABRAZADERA 25-40	25-40 CLAMP
V...55	CONDENSADOR 10 MF 220V	220V 10MF.CONDENSER



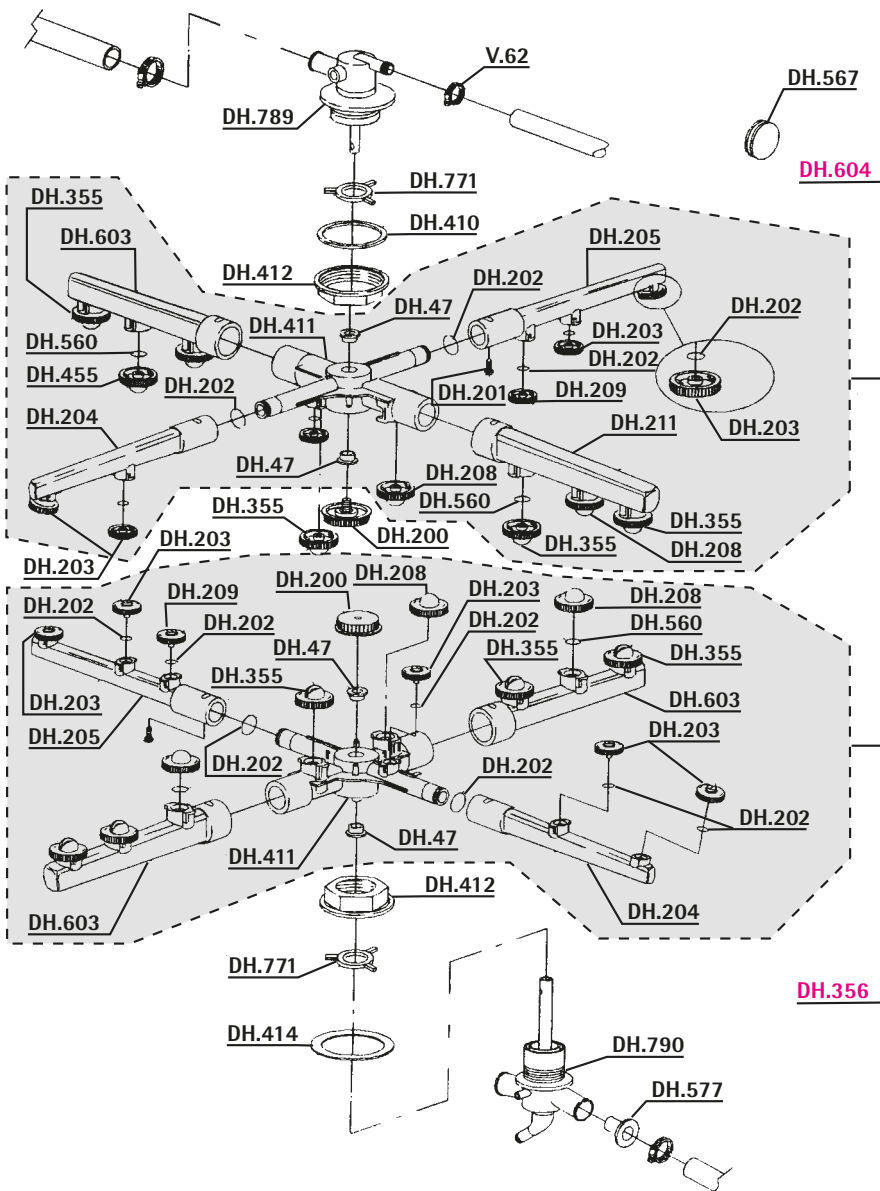
REF.	DESCRIPCIÓN	DESCRIPTION
DH...3	PRESOSTATO SAL	55/30 HORIZ.PRESS.SWITCH
DH.395	MOTOR	MOTOR
DH.550	CONDENSADOR 5MF 450V	5MF 450V CONDENSER
DH.639	RETEN MOTOR GS40	GS40 MOTOR MECHANICAL SEAL
DH.640	JUNTA MOTOR GS40	GS40 MOTOR GASKET
DH.641	TURBINA MOTOR GS40	GS40 MOTOR TURBINE
DH.642	TAPA MOTOR	MOTOR LID
H25807	ABRAZADERA 25-40	25-40 CLAMP
V...63	ABRAZADERA 20-32	20-32 CLAMP
V.206	TUBO DESAGUE CON CODO	WITH ELBOW OUTLET PIPE
V.448	TUBO 4X6mm	4x6mm PIPE
V.861	TUBO GOMA 12X22mm 20ATM	20ATM 12X22mm RUBBER PIPE





REF.	DESCRIPCIÓN	DESCRIPTION
DH.117	ABRAZADERA 46-70	46-70 CLAMP
DH.418	RACOR	FITTING
DH.419	JUNTA GOMA	RUBBER GASKET
DH.434	MANGUITO	SLEEVE
DH.435	MANGUITO	SLEEVE
DH.436	MANGUITO	SLEEVE
DH.486	TURBINA MOTOR DH.451/457/486	DH.451/457/486 MOTOR TURBINE
DH.654	MOTOR 1HP 220/240V AC 50HZ	1HP 220/240V AC 50HZ MOTOR
DH.655	RETEN MOTOR	MOTOR MECHANICAL SEAL
DH.657	TUERCA M6 INOX	M6 INOX NUT
DH.658	JUNTA TAPA MOTOR	MOTOR LID GASKET
DH.659	TAPA MOTOR GS50	GS50 MOTOR LID
H25807	ABRAZADERA 25-40	25-40 CLAMP
LB.170	ABRAZADERA 40-60	40-60 CLAMP
V...56	CONDENSADOR 12,5 MF 220V	12,5MF 220V CONDENSER
V...63	ABRAZADERA 20-32	20-35 CLAMP
V...68	ABRAZADERA 32-50	35-50 CLAMP
V.205	DESAGÜE EXTENSIB.2mt.22x28mm	2mt EXTENSIBLE OUT PIPE

Lavado / Aclarado TEKNO 4 (1) ■ TEKNO 4 Rinse / Wash (1)

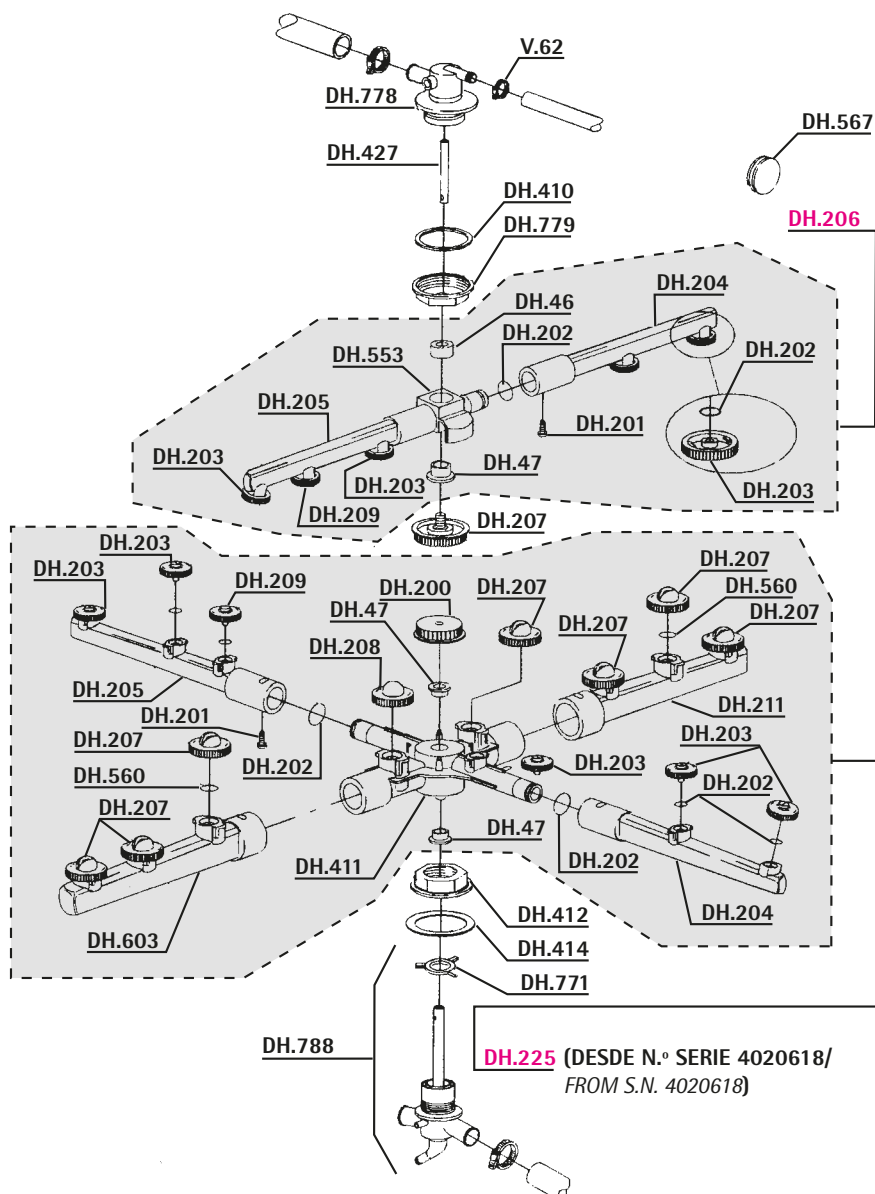


REF.	DESCRIPCIÓN	DESCRIPTION
DH.47	CASQUILLO PLASTICO	CAP
DH.200	FIJACION ACLARADO SUP.	UPPER RINSE FIRMNESS SCREW
DH.201	TORNILLO	SCREW
DH.202	TORICA VITON	VITON RING
DH.203	ROCIADOR ACLARADO	RINSE SPRAY
DH.204	TUBO IZDO.ACLARADO SUP.	UPPER RINSE LEFT PIPE
DH.205	TUBO DRCH.ACLARADO SUP.	UPPER RIGHT RINSE PIPE
DH.208	ROCIADOR LAVADO CIEGO	BLIND WASHING SPRAY
DH.209	ROCIADOR ACLARADO CIEGO	BLIND RINSE SPRAY
DH.211	TUBO LAVADO IZQUIERDO	WASHING LEFT PIPE
DH.355	ROCIADOR LAVADO	WASHING SPRAY
DH.356	ASTA LAVADO-ACLARADO INF.	LOWER WASH-RINSE ARM
DH.410	JUNTA GOMA	RUBBER GASKET
DH.411	CRUCETA	CROSSHAD
DH.412	TUERCA	NUT
DH.414	JUNTA GOMA	RUBBER GASKET
DH.455	ARBOL ACLARADO	LEFT RINSE ARM
DH.560	JUNTA DIFUSOR	SPRAY GASKET
DH.567	JUNTA	GASKET
DH.577	CASQUILLO	CAP
DH.603	TUBO DERECHO LAVADO GS40	GS40 RIGHT WASHER PIPE
DH.604	GIRATORIO LAVADO COMPLETO GS40	GS40 COMPLETE WASHER GIRATORY PIPE GUIDE
DH.771	GUÍA TURBO	PIPE GUIDE
DH.789	TORRETA SUPERIOR	UPPER TURRET
DH.790	TORRETA INFERIOR	LOWER TURRET
V...62	ABRAZADERA 12-20	12-20 CLAMP

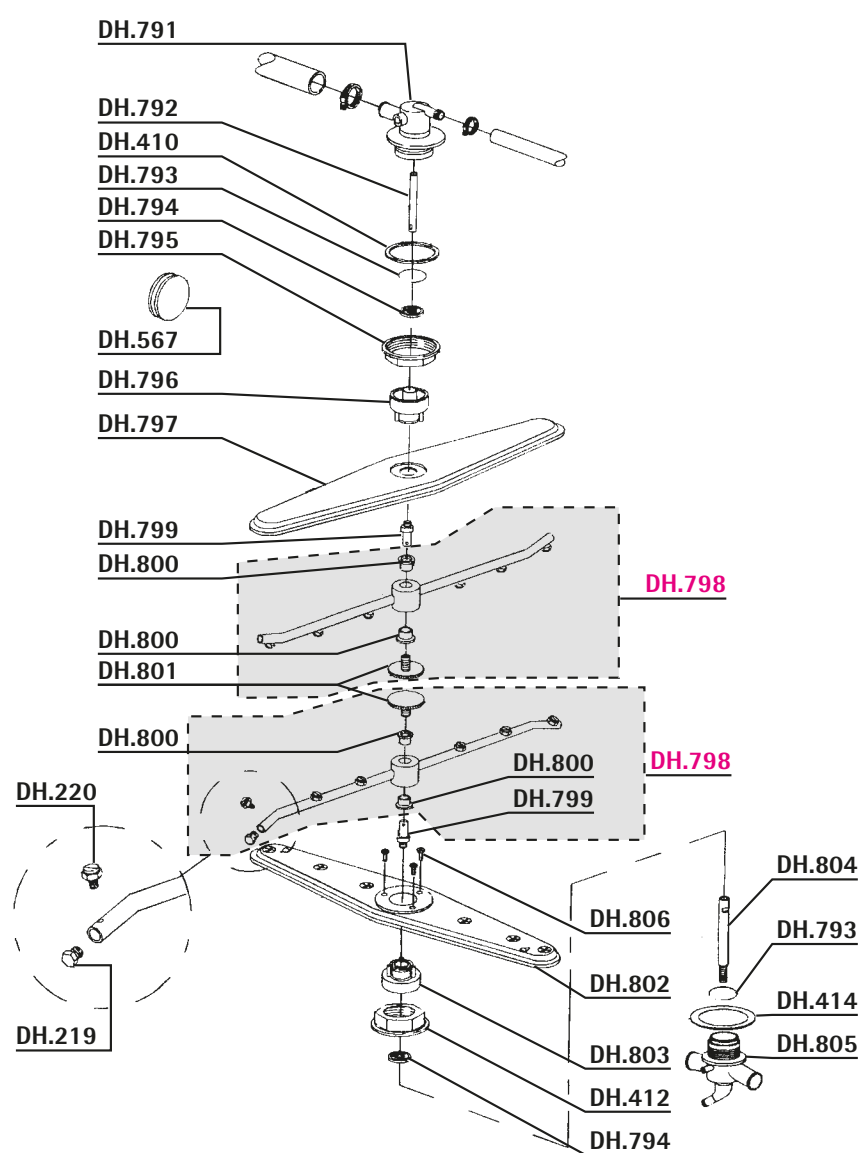
Order our free DVD, include all ours catalogues. More than 50.000 codes.

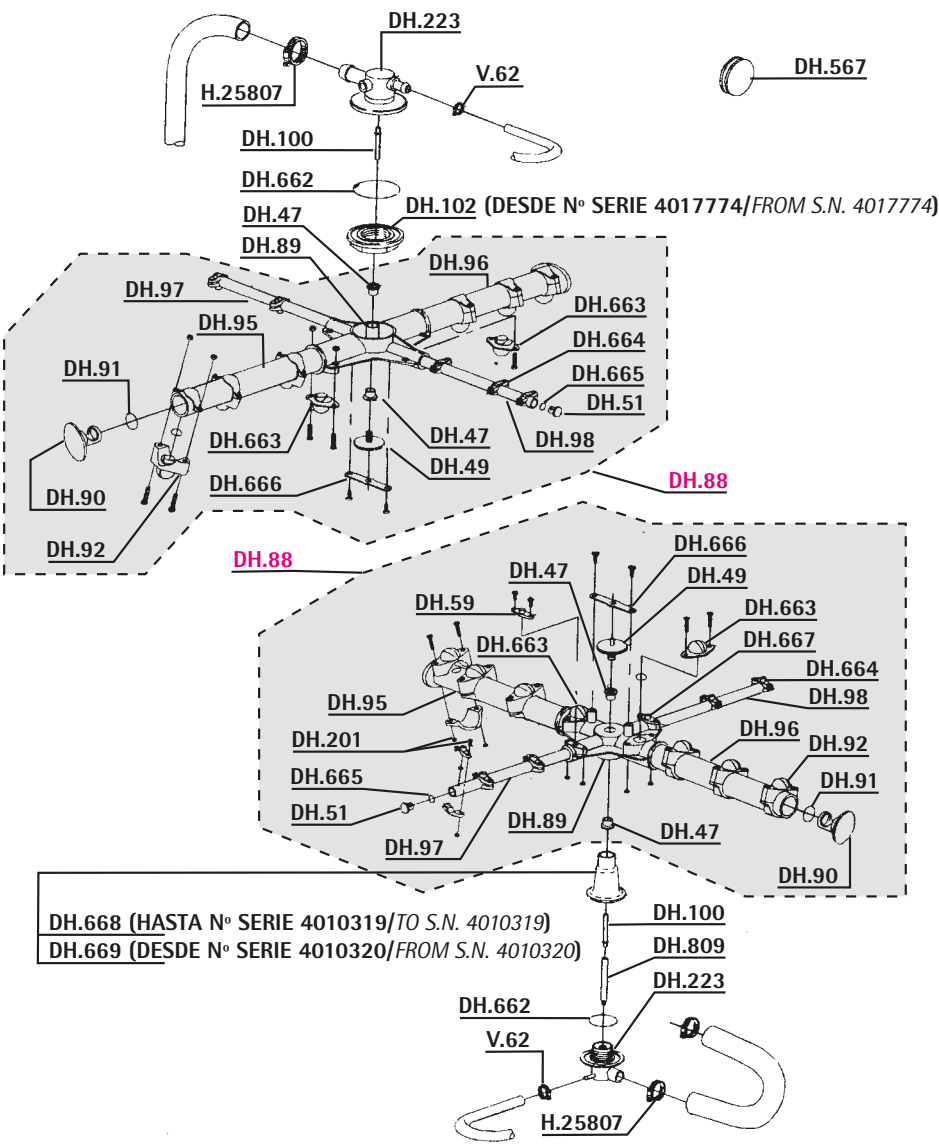


REF.	DESCRIPCIÓN	DESCRIPTION
DH..46	ANILLO EJE	ROD RING
DH..47	CASQUILLO PLASTICO	CAP
DH.200	FIJACION ACLARADO SUP.	UPPER RINSE FIRMNESS
DH.201	TORNILLO	SCREW
DH.202	TORICA VITON	VITON RING
DH.203	ROCIADOR ACLARADO	RINSE SPRAY
DH.204	TUBO IZDO.ACLARADO SUP.	UPPER RINSE LEFT PIPE
DH.205	TUBO DRCH.ACLARADO SUP.	UPPER RIGHT RINSE PIPE
DH.206	ASTA ACLARADO SUPERIOR	UPPER RINSE ARM
DH.207	ROCIADOR LAVADO	WASHING SPRAY
DH.208	ROCIADOR LAVADO CIEGO	BLIND WASHING SPRAY
DH.209	ROCIADOR ACLARADO CIEGO	BLIND RINSE SPRAY
DH.211	TUBO LAVADO IZQUIERDO	WASHING LEFT PIPE
DH.225	ARB.LAV/ACLARADO INF.MOD	LOWER MOD.WASH/RINSE ARM
DH.410	JUNTA GOMA	RUBBER GASKET
DH.411	CRUCETA	CROSSHAD
DH.412	TUERCA	NUT
DH.414	JUNTA GOMA	RUBBER GASKET
DH.427	EJE	ROD
DH.553	UNION GIRATORIO	GIRATORY JUNCTION
DH.560	JUNTA DIFUSOR	SPRAY GASKET
DH.567	JUNTA	GASKET
DH.603	TUBO DERECHO LAVADO GS40	GS40 RIGHT WASHER PIPE
DH.771	GUIA TURBO	PIPE GUIDE
DH.778	TORRETA SUPERIOR	UPPER TURRET
DH.779	TUERCA TORRETA	TURRET NUT
DH.788	CONJUNTO TORRETA TEKNO 4	TEKNO 4 TURRET WHOLE
V..62	ABRAZADERA 12-20	12-20 CLAMP



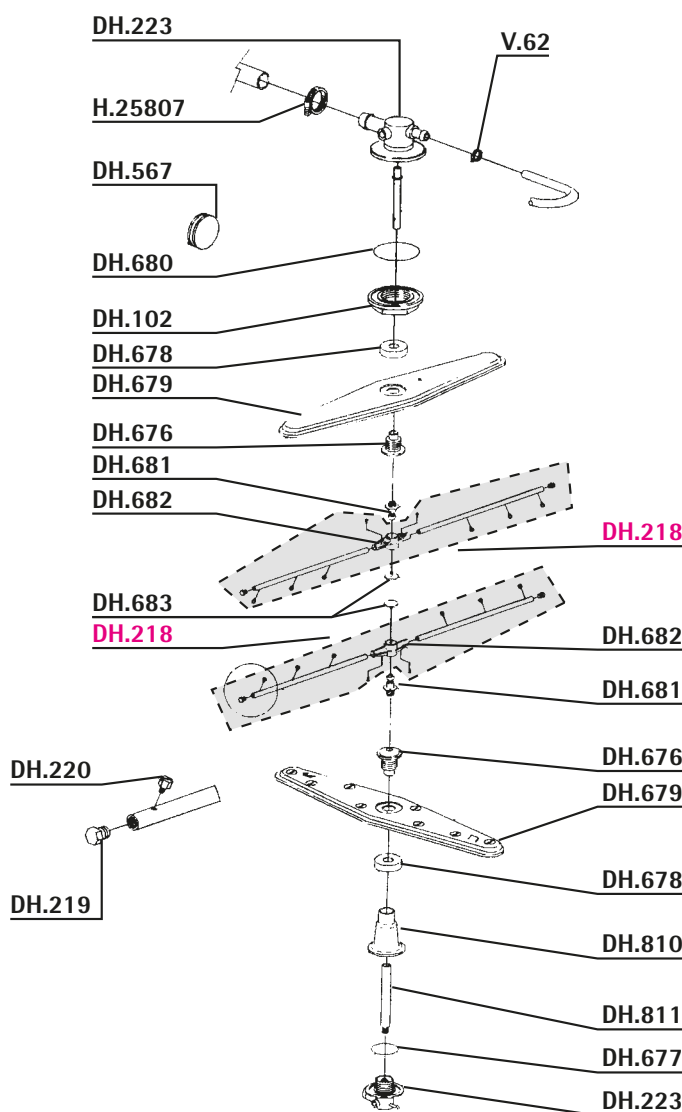
REF.	DESCRIPCIÓN	DESCRIPTION
DH.219	TAPON ARBOL ACLARADO	RINSE ARM CAP
DH.220	ROCIADOR ACLARADO	RINSE SPRAY
DH.410	JUNTA GOMA	RUBBER GASKET
DH.412	TUERCA	NUT
DH.414	JUNTA GOMA	RUBBER GASKET
DH.567	JUNTA	GASKET
DH.791	TORRETA SUPERIOR	UPPER TURRET
DH.792	EJE SUPERIOR	UPPER ROD
DH.793	ANILLO DISTANCIADOR	DISTANCIER RING
DH.794	GUIA TUBO	PIPE GUIDE
DH.795	TUERCA	NUT
DH.796	ADAPTADOR SUPERIOR	UPPER ADAPTOR
DH.797	GIRATORIO LAVADO SUPERIOR	UPPER WASHER GIRATORY
DH.798	GIRATORIO COMPLETO ACLARADO	RINSE COMPLET GIRATORY
DH.799	CASQUILLO GIRATORIO	GIRATORY CAP
DH.800	CASQUILLO	CAP
DH.801	TORNILLO GIRATORIO	GIRATORY SCREW
DH.802	GIRATORIO LAVADO INFERIOR	LOWER WASHING GIRATORY
DH.803	ADAPTADOR GIRATORIO	GIRATORY ADAPTOR
DH.804	EJE	ROD
DH.805	TORRETA INFERIOR	LOWER TURRET
DH.806	TORNILLO 2,9x13	2,9x13 SCREW





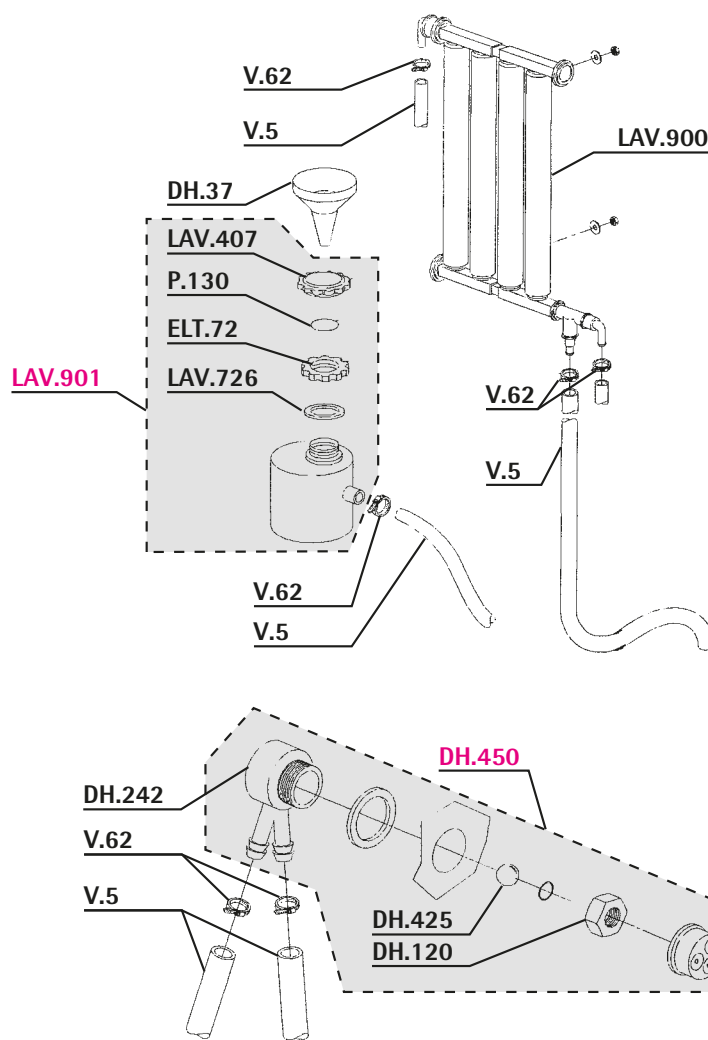
REF.	DESCRIPCIÓN	DESCRIPTION
DH..47	CASQUILLO PLASTICO	CAP
DH..49	FIJACION ARBOL LAV./ACL	WASH/RINSE TREE FIRMNESS
DH..51	TAPON TUBO ACLARADO	RINSE PIPE CAP
DH..59	ROCIADOR ACLARADO PLANO	FLAT RINSE SPRAY
DH..88	ARBOL LAVADO ACLARADO	WASH/RINSE TREE
DH..89	CENTRAL ARBOL LAV./ACLA.	WASH/RINSE ROTOR
DH..90	TAPON TUBO LAVADO	WASH PIPE CAP
DH..91	TORICA	RING
DH..92	ROCIADOR LAVADO GRANDE	WASHING SPRAY
DH..95	TUBO LAVADO IZQUIERDO	LEFT WASHING PIPE
DH..96	TUBO LAVADO DERECHO	RIGHT WASHING PIPE
DH..97	TUBO ACLARADO DERECHO	TUBE RINSE PIPE
DH..98	TUBO ACLARADO IZQUIERDO	LEFT RINSE PIPE
DH.100	EJE ACLARADO SUP./INF.	UPPER LOWER CLEAR ROD
DH.102	FIJACION RACORD SUPERIOR	UPPER FITTING FIRMNESS
DH.201	TORNILLO	SCREW
DH.223	COLECTOR	COLLECTOR
DH.567	JUNTA	GASKET
DH.662	JUNTA COLECTOR INFERIOR	LOWER COLECTOR GASKET
DH.663	ROCIADOR ACLARADO	RINSE SPRAY
DH.664	ROCIADOR COMPLETO	COMPLET SPRAY
DH.665	JUNTA LATERAL	LATERAL GASKET
DH.666	PLACA GIRATORIO	GIRATORY PLATE
DH.667	ROCIADOR PLANO	PLANE SPRAY
DH.668	SOPORTE GIRATORIO INFERIOR	LOWER GIRATORY SUPPORT
DH.669	SOPORTE GIRATORIO INFERIOR	LOWER GIRATORY SUPPORT
DH.809	EJE INFERIOR	LOWER ROD
H25807	ABRAZADERA 25-40	25-40 CLAMP
V...62	ABRAZADERA 12-20	12-20 CLAMP

Lavado / Aclarado TEKNO 6 (2) ■ TEKNO 6 Rinse / Wash (2)



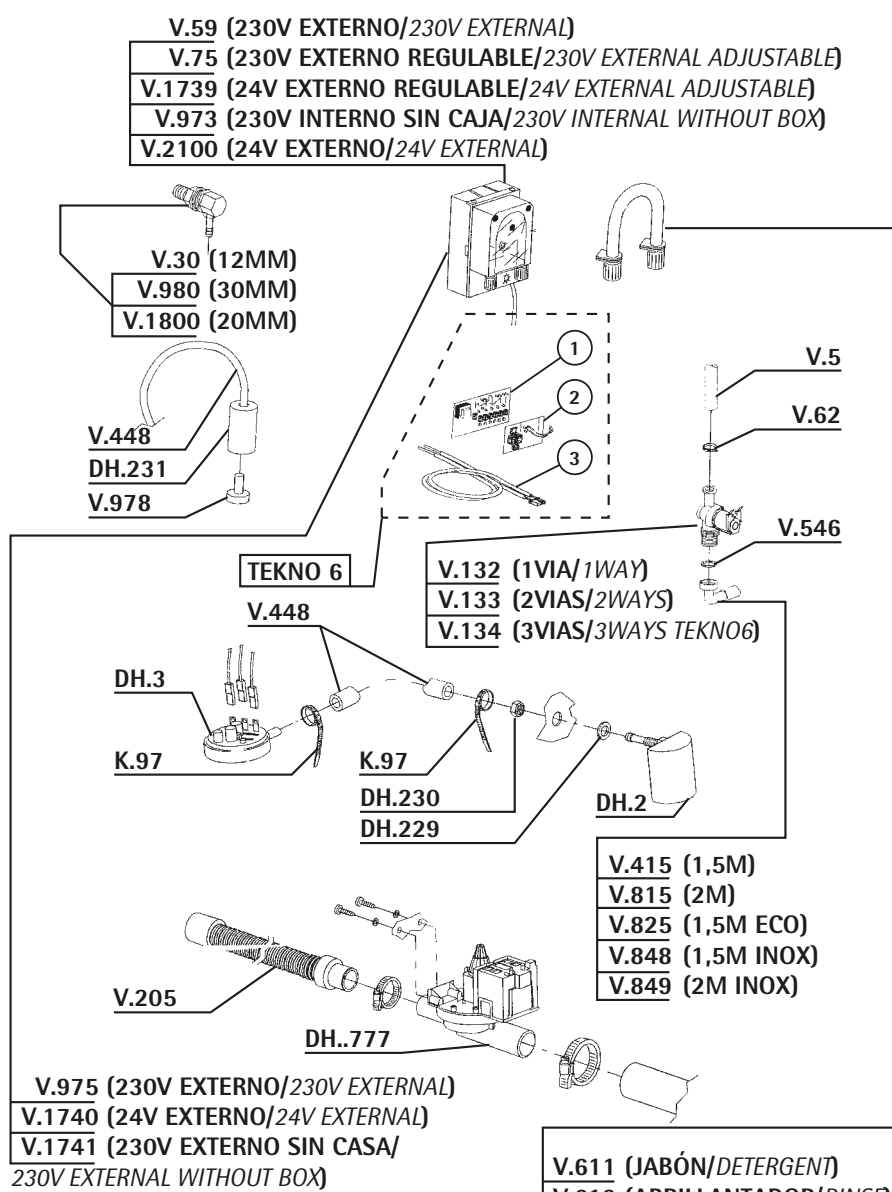
REF.	DESCRIPCIÓN	DESCRIPTION
DH.102	FIJACION RACORD SUPERIOR	UPPER FITTING FIRMNESS
DH.218	ARBOL ACLARADO	RINSE ARM
DH.219	TAPON ARBOL ACLARADO	RINSE ARM CAP
DH.220	ROCIADOR ACLARADO	RINSE SPRAY
DH.223	COLECTOR	COLLECTOR
DH.567	JUNTA	GASKET
DH.676	TUERCA GIRATORIO INOX	INOX GIRATORY NUT
DH.677	JUNTA COLECTOR INFERIOR	LOWER COLECTOR GASKET
DH.678	TUERCA GIRATORIO INOX SUPERIOR	UPPER INOX GIRATORY NUT
DH.679	GIRATORIO LAVADO GS45	GS45 WASHER GIRATORY
DH.680	EJE SUPERIOR	UPPER ROD
DH.681	SOPORTE GIRATORIO INFERIOR	LOWER GIRATORY INFERIEUR
DH.682	UNION GIRATORIO	GIRATORY UNION
DH.683	TORNILLO GIRATORIO	GIRATORY SCREW
DH.810	TORRETA INFERIOR	LOWER TURRET
DH.811	EJE INFERIOR	LOWER ROD
H25807	ABRAZADERA 25-40	25-40 CLAMP
V...62	ABRAZADERA 12-20	12-20 CLAMP

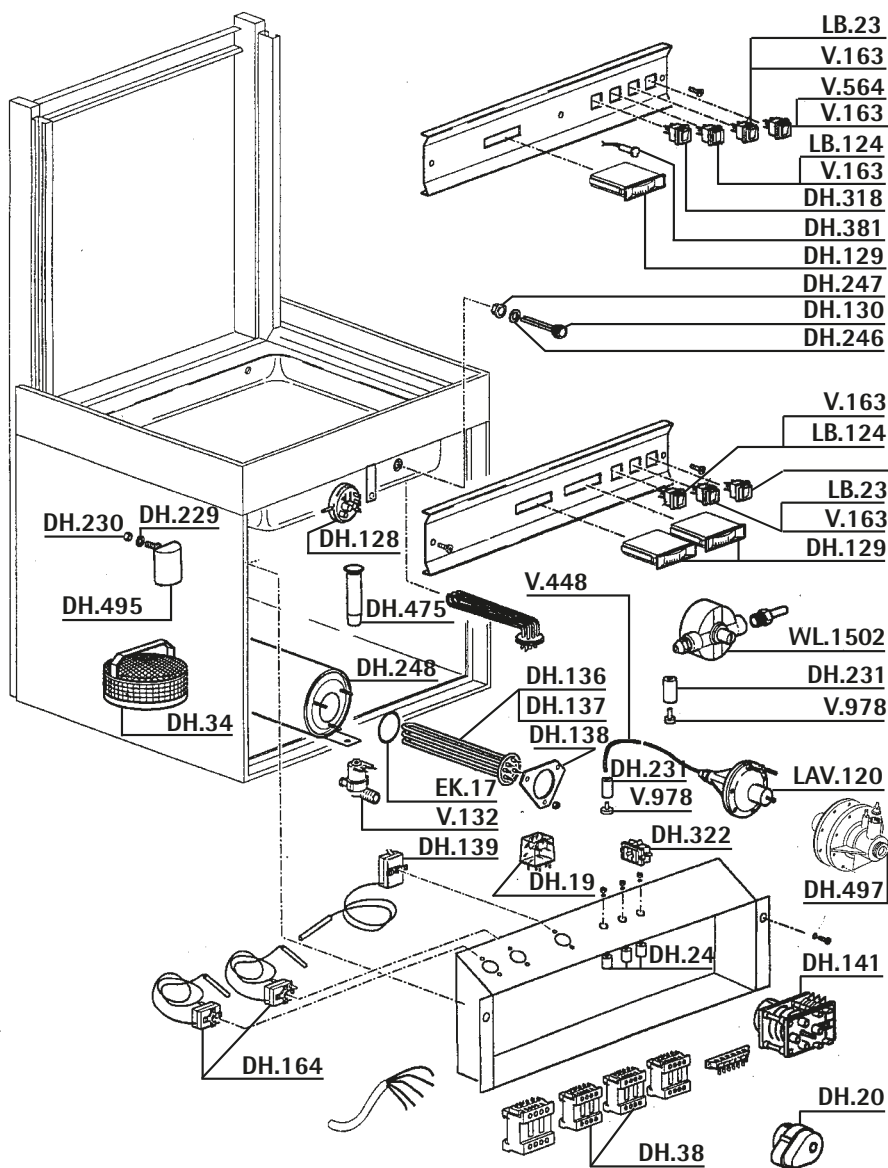
REF.	DESCRIPCIÓN	DESCRIPTION
DH..37	EMBUDO	FUNNEL
DH.120	TUERCA	NUT
DH.242	RACOR	FITTING
DH.425	ESFERA TEFLON	TEFLON SPHERE
DH.450	REDUCTOR	REDUCER
ELT.72	RACOR DEPOSITO SAL	FITTING SALT CONTAINER
LAV407	TAPON DEPOSITO SAL	SALT TANK CAP
LAV726	JUNTA GOMA BOTELLA SAL	BOTTLE SALT RUBBER GASKET
LAV901	DEPOSITO SAL	SALT CONTAINER
LAV900	DEPURADOR LAVATAZAS	WASHING CUP PURIFIER
P..130	TORICA EPDM	RING
V...5	TUBO GOMA 10X16 20 ATM	20ATM 10X17 RUBBER PIPE
V...62	ABRAZADERA 12-20	12-20 CLAMP



Componentes eléctricos TEKNO 4 / TEKNO 6 ■ TEKNO 4 / TEKNO 6 Electric components

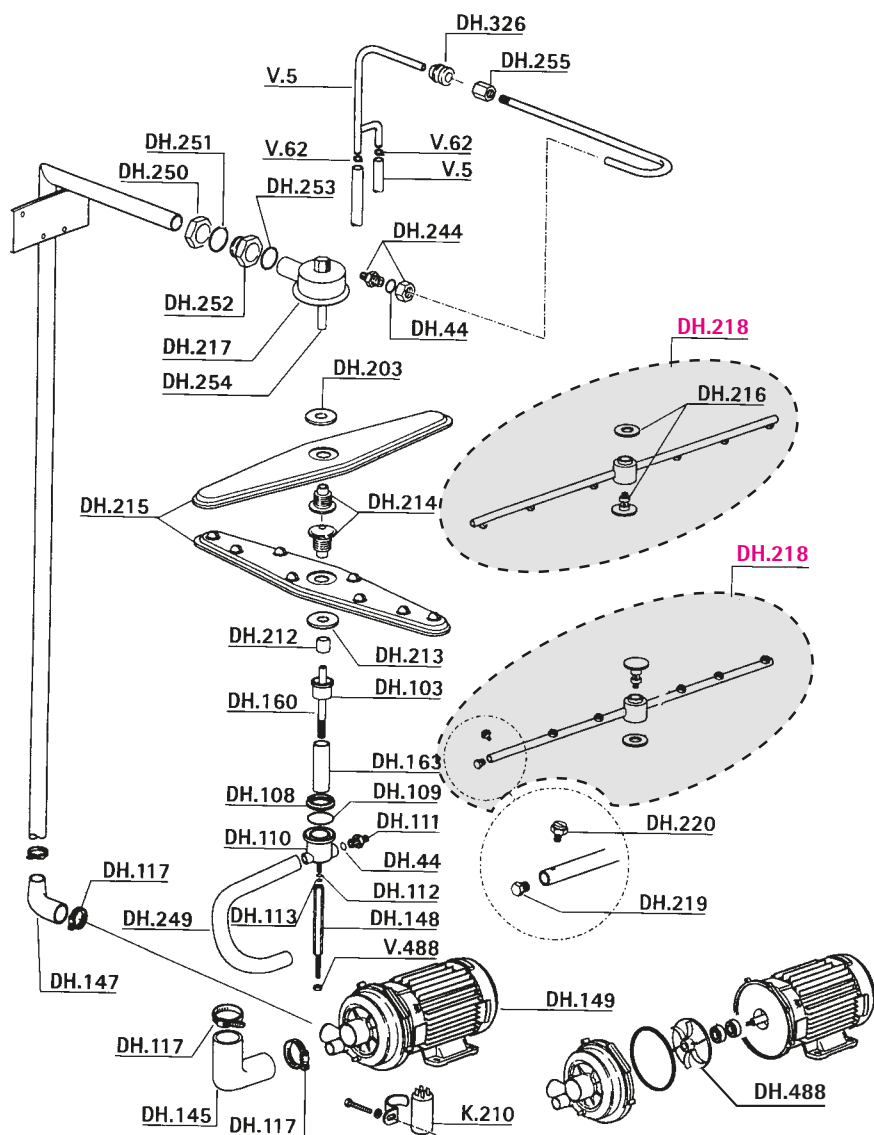
REF.	DESCRIPCIÓN	DESCRIPTION
DH...2	CAMARA PRESOSTATICA	PRESSURE SWITCH CHAMBER
DH...3	PRESOSTATO SAL	55/30 HORIZ.PRESS.SWITCH
DH.229	JUNTA ALIMENTARIA	ALIMENTARY GASKET
DH.230	TUERCA INOX	NUT
DH.231	PESO FILTRO	FILTER FITTING
DH.777	BOMBA DESAGÜE	DRAIN PUMP
K...97	BRIDA NYLON	5X24mm NYLON CLASP
V...5	TUBO GOMA 10X16 20 ATM	20ATM 10X17 RUBBER PIPE
V...30	RACOR ENTRADA JABON	INLET SOAP FITTING
V...59	DOSIFICADOR PERISTALTICO	DOSIMETER
V...62	ABRAZADERA 12-20	12-20 CLAMP
V...75	DOSIF.PERISTALTICO REGULA	ADJUSTABLE DOSIMETER
V..132	ELECTROVAL.1 VIA LAV.220V	WASH 1 WAY 220V SOLENOID
V..133	ELECTROVAL.2 VIA LAV.220V	WASH 2 WAYS 220V SOLENOID
V..134	ELECTROVAL.3VIA LAV.220V	WASH 3 WAYS 220V SOLENOID
V..205	DESAGÜE EXTENSIB.2mt.22x28mm	2mt EXTENSIBLE OUT PIPE
V..415	TOMA LAVADORA 1,5M	QUALITY 1.5M.INLET W.FLEX
V..448	TUBO PRESOSTATO-METRO 4X6	4X6 PRE.SWITCH INLET PIPE
V..546	JUNTA GOMA 3/4	WATER INLET RUBBER GASKET
V..611	TUBO INTERIOR DOS.PER. JABON	INLET PIPE
V..613	TUBO INTERIOR DOS.PER.ABRILLAN	RINS.AID INSIDE PIPE
V..815	TOMA LAVADORA 2 METROS	2 MT.INLET WATER FLEXIBLE
V..825	TOMA LAVADORA 1.5 "ECO"	"ECO"1.5M INLET WA.FLEXIB
V..848	TOMA LAVADORA 1.5M INOX	INOX 1.5M INLET WATER FL.
V..849	TOMA LAV.INOX 2MT.3/4X3/4	INOX 2MT.INLET WATER FLE.
V..973	DOSIFICADOR PERISTALTICO INTER	INTERNAL PERISTALTIC DOS.
V..975	DOSIFICADOR ABRILLANTADOR EXT.	EXTERNAL RINSE DOSIMETER
V..978	FILTRO DOSIFICADOR	DOSIMETER FILTER
V..980	RACOR ENTRADA JABON LARGO	LONG INLET FITTING
V.1739	DOSIF.PERISTAL.REGULABLE 24Vac	24Vac ADJUSTABLE DOSIMETER
V.1740	DOSIF.ABRILLAN.EXTERNO 24Vac	24Vac EXTERNAL RINSE DOSIMETER
V.1741	DOSIF.ABRILL.INTERNO 230V AC	230Vac INTERNAL RINSE DOSIMET
V.1800	RACOR ENTRADA JABON METALICO	METALIC DETER.INLET FITTING
V.2100	DOSIFICADOR PERISTAL.JABON 24V	24V SOAP DOSIMETER





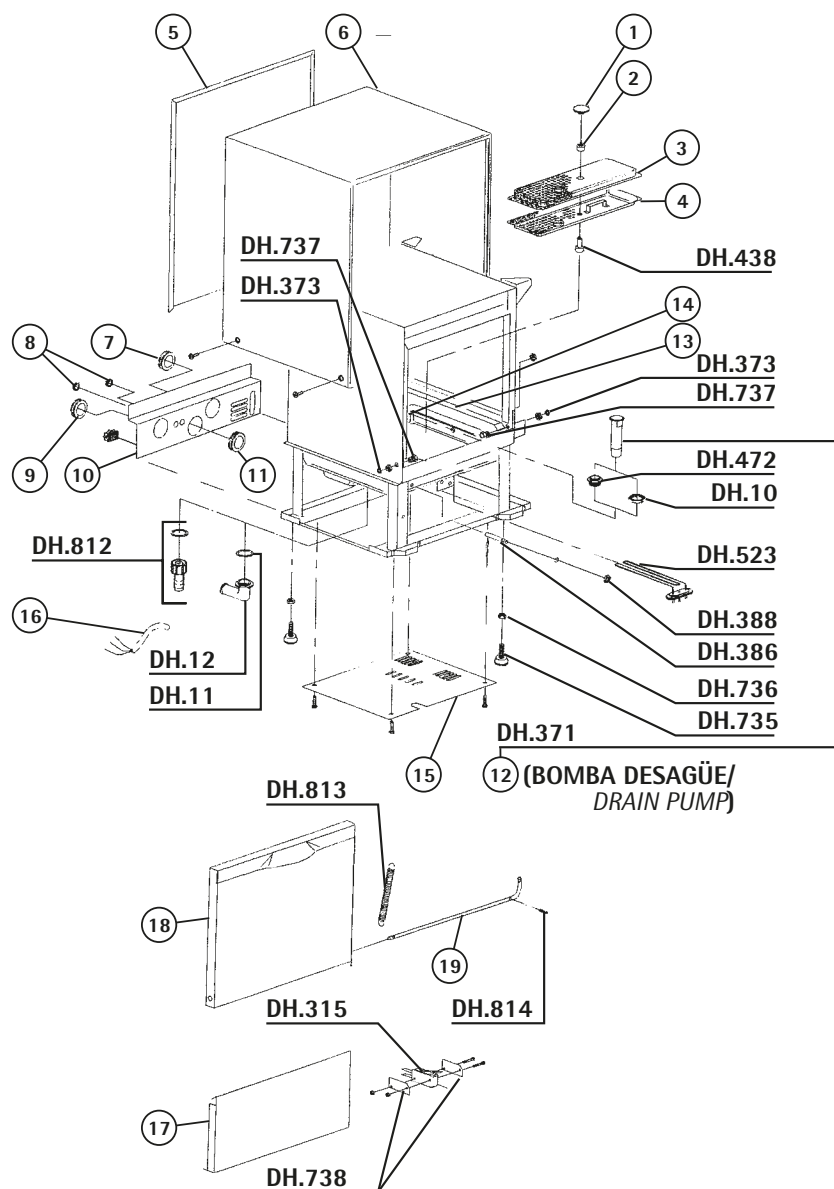
REF.	DESCRIPCIÓN	DESCRIPTION
LB.23		
V.163		
V.564		
V.163		
LB.124		
V.163		
DH.318		
DH.381		
DH.129		
DH.130		
DH.136		
DH.137		
DH.247		
DH.130		
DH.246		
V.163		
LB.124		
LB.23		
V.163		
DH.129		
V.448		
DH.475		
WL.1502		
DH.231		
DH.497		
EK..17		
LAV120		
LB..23		
V..132		
V..163		
V..448		
V..564		
V..978		
WL1502		
DH.248		
DH.136		
DH.137		
DH.138		
EK.17		
V.132		
DH.139		
DH.19		
DH.231		
V.978		
LAV.120		
DH.322		
DH.497		
DH.24		
DH.141		
DH.164		
DH.20		
DH.38		

Lavado / Aclarado GASTRO 11S ■ GASTRO 11S Rinse / Wash

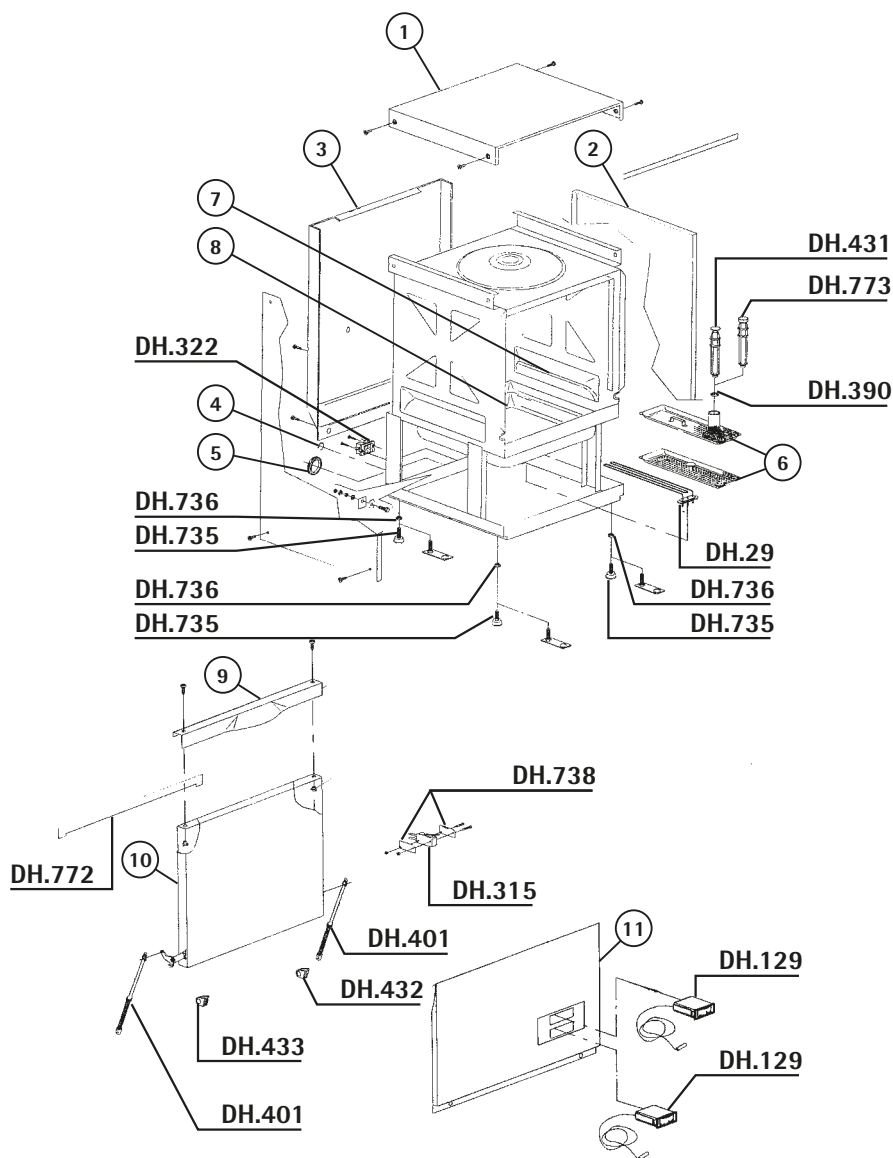


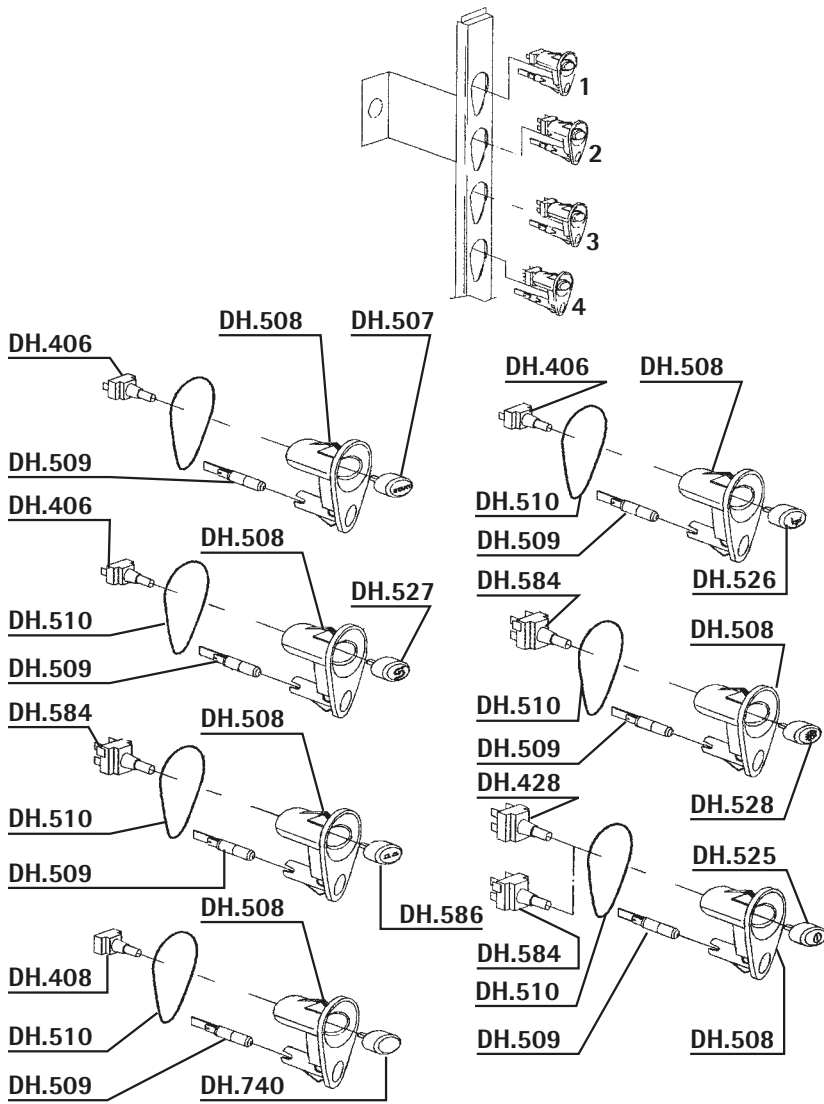
REF.	DESCRIPCIÓN	DESCRIPTION
DH.44	TORICA VITON	VITON RING
DH.103	CASQUILLO EJE LAVADO INF.	LOWER WASHING ROD CAP
DH.108	ARANDELA LAVADO INFERIOR	LOWER WASH WASHER RING
DH.109	TORICA	TORICA RING
DH.110	COLECTOR DISTRIBUIDOR INF	DISTRIBUTOR COLLECTOR
DH.111	RACOR	FITTING
DH.112	JUNTA COLECTOR GOMA	COLLECTOR RUBBER GASKET
DH.113	ARANDELA PLANA	PLANE WASHER
DH.117	ABRAZADERA 46-70	46-70 CLAMP
DH.145	MANGUITO ASPIRACION	SUCTION SLEEVE
DH.147	MANGUITO	SLEEVE
DH.148	TIRANTE COLECTOR	COLLECTOR DRAWER
DH.149	MOTOR 1,5 HP GS 120W	1.5 HP GS120W MOTOR
DH.160	EJE ACLARADO INF.-SUP.	UPPER LOWER CLEAR ROD
DH.163	MANGUITO INOX LAVADO INF.	WASH LOWER INOX SLEEVE
DH.203	ROCIADOR ACLARADO	RINSE SPRAY
DH.212	CASQUILLO	CAP
DH.213	ARANDELA	WASHER
DH.214	RACOR	FITTING
DH.215	ASTA LAVADO	WASHING ARM
DH.217	CODO ACLARADO	RINSE ELBOW
DH.218	ARBOL ACLARADO	RINSE ARM
DH.219	TAPON ARBOL ACLARADO	RINSE ARM CAP
DH.220	ROCIADOR ACLARADO	RINSE SPRAY
DH.244	RACOR	FITTING
DH.249	MANGUITO	SLEEVE
DH.250	TUERCA	NUT
DH.251	TORICA	RING
DH.252	CONTRATUERCA	BRASS NUT
DH.253	TORICA	RING
DH.254	EJE	ROD
DH.255	TUERCA	NUT
DH.326	UNION	JUNCTION
DH.488	TURBINA MOTOR DH.149	DH.149 MOTOR TURBINE
K..210	CONDENSADOR 16 MF. 220V	16 MF. 220V CONDENSER
V....5	TUBO GOMA 10X16 20 ATM	20ATM 10X17 RUBBER PIPE
V..62	ABRAZADERA 12-20	12-20 CLAMP
V..488	TUERCA M-8	M-8 NUT

REF.	DESCRIPCIÓN	DESCRIPTION
DH..10	TUERCA CODO DESAGÜE	OUTLET ELBOW NUT
DH..11	JUNTA GOMA	RUBBER GASKET
DH..12	CODO DESAGÜE	DRAIN ELBOW
DH.315	MICRO PUERTA 250V 16A	250V 16A DOOR MICROSWITCH
DH.371	SOBRENIVEL	OVERFLOW
DH.373	TUERCA	NUT
DH.386	TERMOSTATO	THERMOSTAT
DH.388	TUERCA	NUT
DH.438	RACOR FILTRO	FILTER FITTING
DH.472	TAPON	CAP
DH.523	RESISTENCIA 1850W/2020W 230/24	RESISTANCE 1850W/2020W 230/240
DH.735	PATA DERBY	DERBY FOOT
DH.736	TUERCA PATA DERBY	NUT
DH.737	TUERCA PUERTA DERBY	DERBY DOOR NUT
DH.738	AISLANTE MICRO	MICRO ISILATE
DH.812	RACOR DESAGÜE	DRAIN FITTING
DH.813	MUELLE PUERTA	DOOR SPRING
DH.814	ESPARAGO M 5x20	HEADLESS SCREW



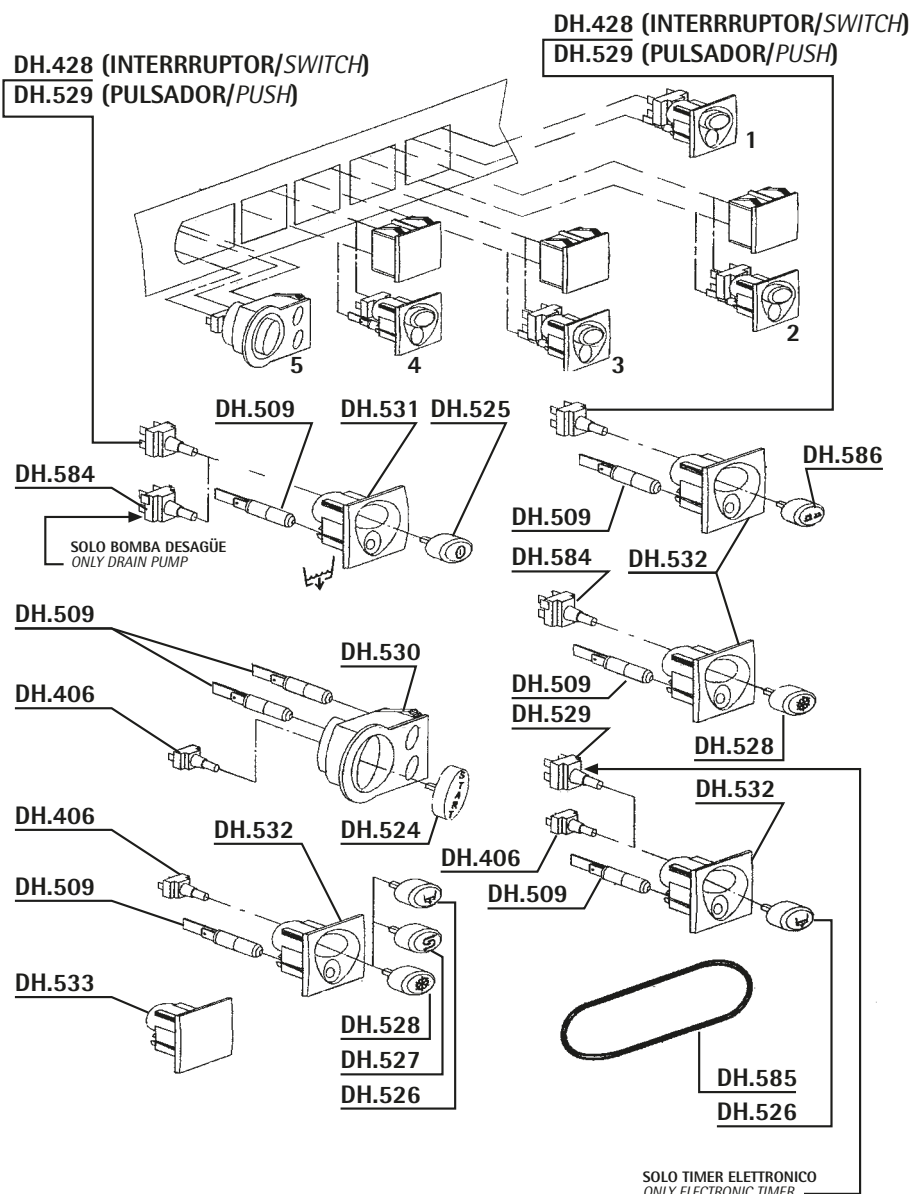
REF.	DESCRIPCIÓN	DESCRIPTION
DH..29	RESIST.CUBA 2700W 230V	2700W 230V TANK RESISTANCE
DH.129	TERMOMETRO	THERMOMETER
DH.315	MICRO PUERTA 250V 16A	250V 16A DOOR MICROSWITCH
DH.322	INTERRUPTOR	SWITCH
DH.390	COLLARIN GOMA	RUBBER GASKET
DH.401	MUELLE PUERTA	DOOR SPRING
DH.431	SOBRENIVEL	OVERFLOW
DH.432	TOPE BISAGRA DERECHA	RIGHT HINGE STOP
DH.433	TOPE BISAGRA IZQUIERDA	LEFT HINGE STOP
DH.735	PATA DERBY	DERBY FOOT
DH.736	TUERCA PATA DERBY	NUT
DH.738	AISLANTE MICRO	MICRO ISILATE
DH.772	JUNTA PUERTA TEKNO 4	TEKNO 4 DOOR GASKET
DH.773	SOBRENIVEL TEKNO 6	TEKNO 6 OVERFLOW



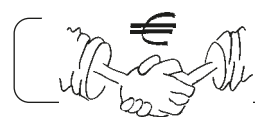


REF.	DESCRIPCIÓN	DESCRIPTION
DH.406	PULSADOR UNIPOLAR	UNIPOLAR PUSH-BUTTON
DH.408	PULSADOR	PUSH-BUTTON
DH.428	INTERRUPTOR	SWITCH
DH.507	BOTON START	START BUTTON
DH.508	SOPORTE BOTON	BUTTON SUPPORT
DH.509	LAMPARA 220V	220V LAMP
DH.510	TORICA	RING
DH.525	BOTON ON-OFF	ON-OFF BUTTON
DH.526	BOTON BOMBA VACIO	DRAIN PUMP BUTTON
DH.527	BOTON DEPURACION	PURIFIER BUTTON
DH.528	BOTON CALOR/FRIO	BUTTON HEAT/COLD
DH.584	CONMUTADOR BIPOLAR 16A	16A BIPOLAR SWITCH
DH.586	BOTON TIEMPO	TIME BUTTON
DH.740	BOTON CIEGO	BLIND BUTTON

Panel de control GASTRO 500S / GASTRO 750S ■ GASTRO 500S / GASTRO 750S Control panel

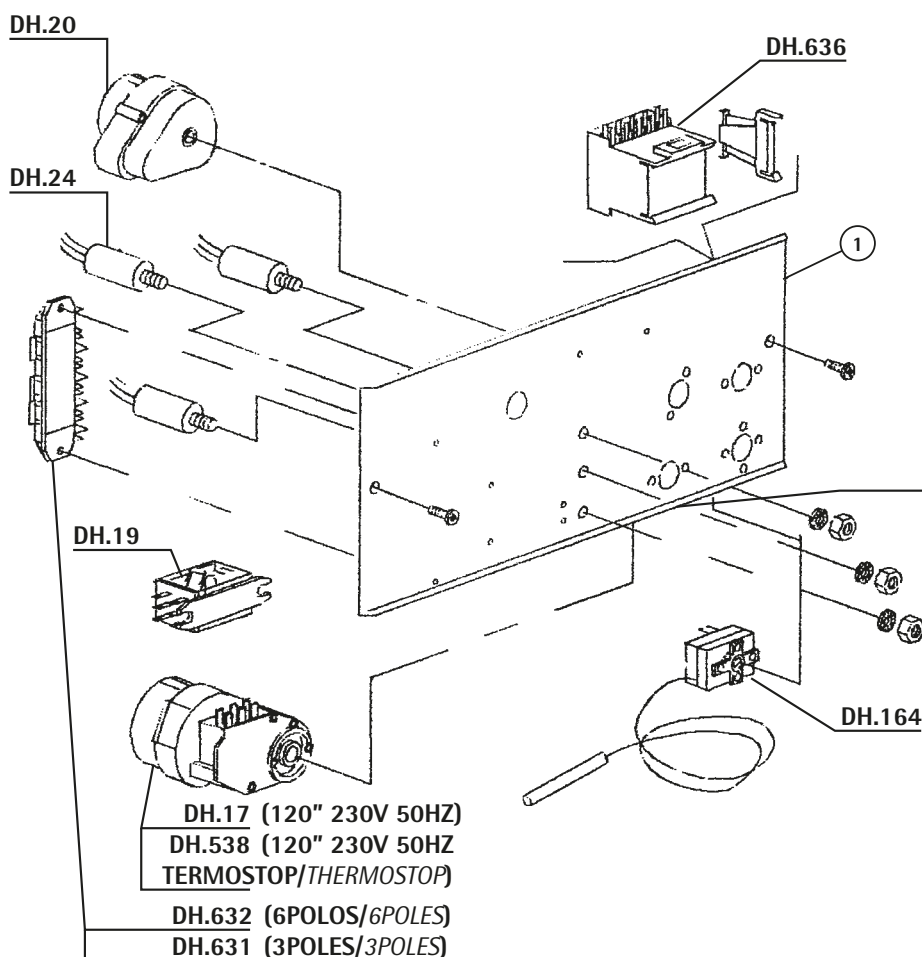


REF.	DESCRIPCIÓN	DESCRIPTION
DH.406	PULSADOR UNIPOLAR	UNIPOLAR PUSH-BUTTON
DH.428	INTERRUPTOR	SWITCH
DH.509	LAMPARA 220V	220V LAMP
DH.524	BOTON START	START BUTTON
DH.525	BOTON ON-OFF	ON-OFF BUTTON
DH.526	BOTON BOMBA VACIO	DRAIN PUMP BUTTON
DH.527	BOTON DEPURACION	PURIFIER BUTTON
DH.528	BOTON CALOR/FRIO	BUTTON HEAT/COLD
DH.529	PULSANTE BIPOLAR 16A	BIPOLAR PUSH-BUTTON 16A
DH.530	SOPORTE PULSADOR	PUSH-BUTTON SUPPORT
DH.531	SOPORTE INTERRUPTOR	SWITCH SUPPORT
DH.532	SOPORTE INTERRUPTOR	SWITCH SUPPORT
DH.533	TAPA	COVER
DH.584	CONMUTADOR BIPOLAR 16A	16A BIPOLAR SWITCH
DH.585	JUNTA PANEL	PANEL GASKET
DH.586	BOTON SELECTOR TIEMPO	SELECTOR TIME BUTTON

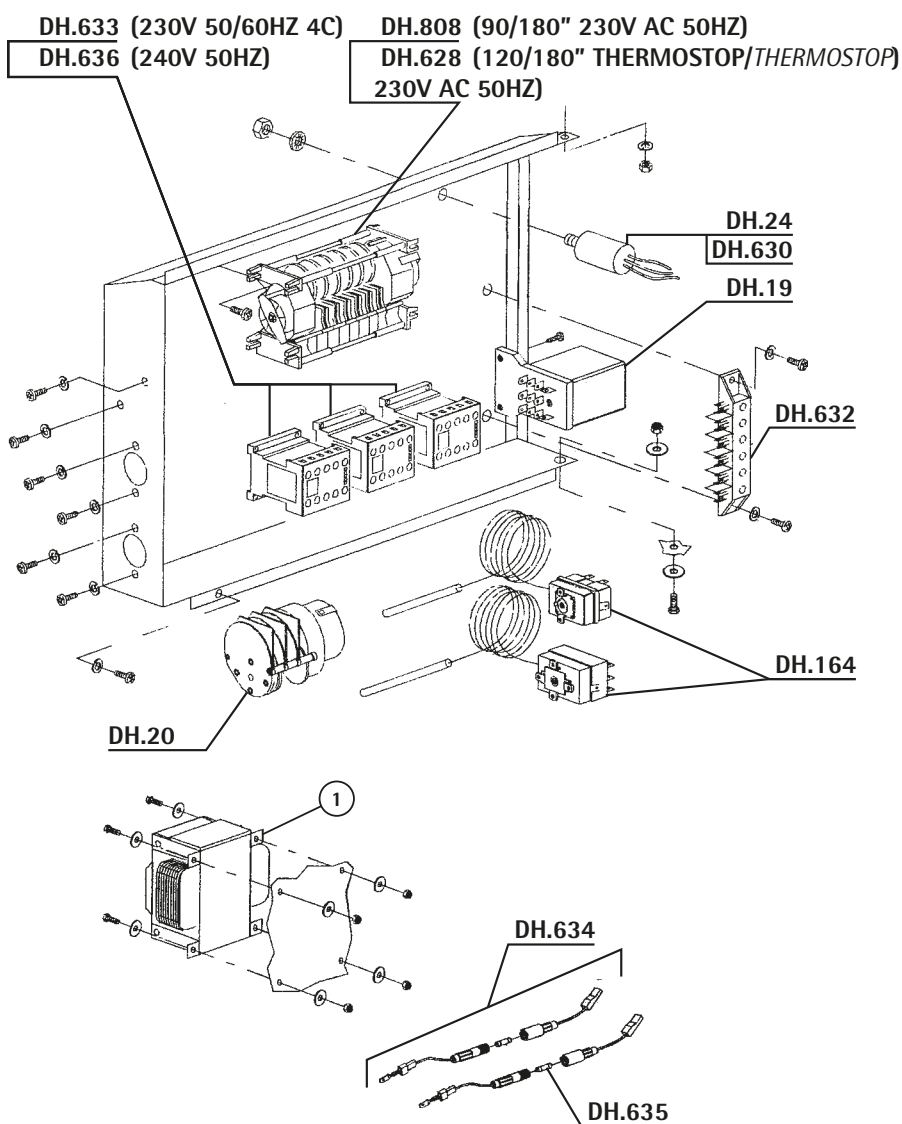


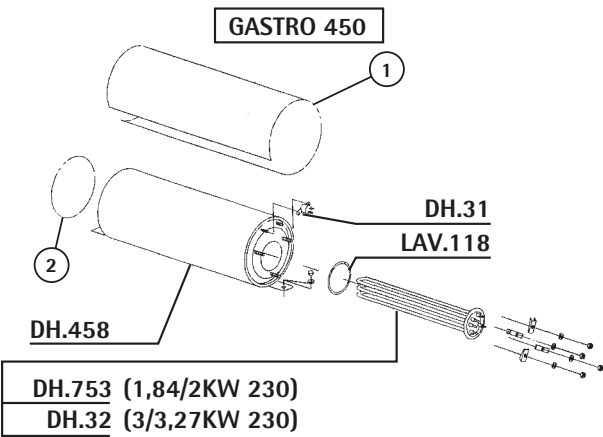
Ahorre tiempo y dinero. Pida el recambio a ASCASO.

REF.	DESCRIPCIÓN	DESCRIPTION
DH..17	TEMPORIZADOR 2MICROS 150V	2TOOTH 150" TIMER
DH..19	RELE 16A 230V	230V 16A RELAY
DH..20	TEMPORIZAD.3MICROS 18MIN.	3TOOTH 18MIN.TIMER
DH..24	FILTRO ANTIPARASITARIO	ANTIPARASTIC FILTER
DH.164	TERMOSTATO 0-90°	0-90° THERMOSTAT
DH.538	PROGRAMADOR 50HZ CON TEMOSTOP	WITH THERMOSTOP TIMER
DH.631	REGLETA 3 POLOS	CONNECTOR
DH.632	REGLETA 6 POLOS	CONNECTOR
DH.636	CONTACTOR 240V 50HZ	CONTACTOR

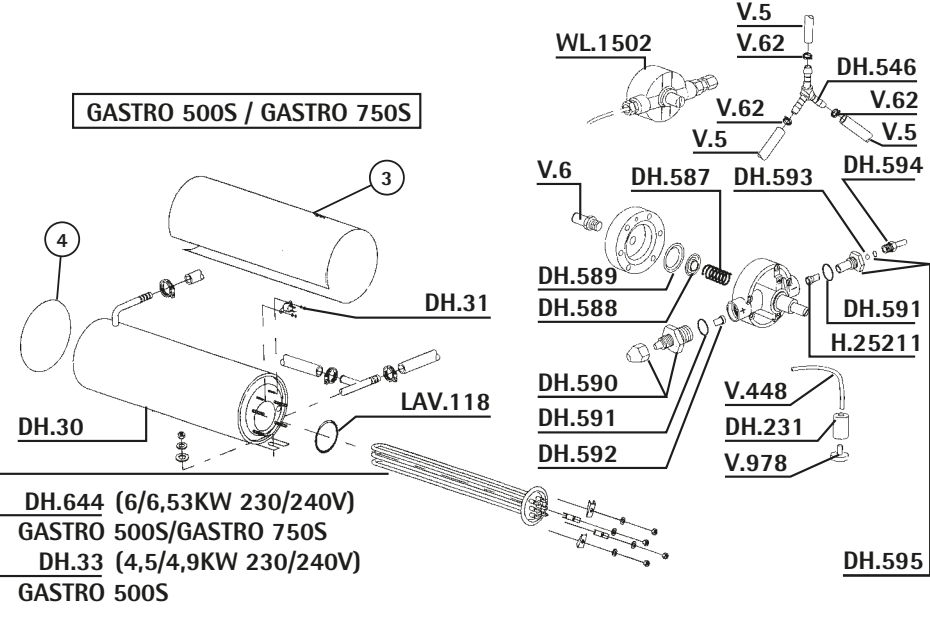


REF.	DESCRIPCIÓN	DESCRIPTION
DH..19	RELE 16A 230V	230V 16A RELAY
DH..20	TEMPORIZAD.3MICROS 18MIN.	3TOOTH 18MIN.TIMER
DH..24	FILTRO ANTIPARASITARIO	ANTIPARASTIC FILTER
DH.164	TERMOSTATO 0-90°	0-90° THERMOSTAT
DH.628	TIMER 120"/180" THERMOSTOP-BOMB	TIMER 120"/180" THERMOSTOP-DRA
DH.630	FILTRO ANTIPARASITARIO F3 440V	F3 440V ac 3 ANTIPARASTIC FIL
DH.632	REGLETA 6 POLOS	CONNECTOR
DH.633	CONTACTOR 230V 50/60HZ 4C	CONTACTOR 230V 50/60HZ 4C
DH.634	PORTA FUSIBLE	FUSE HOLDER
DH.635	FUSIBLE	HOLDER
DH.636	CONTACTOR 240V 50HZ	CONTACTOR
DH.808	TIMER 90"/180" 230V 50HZ	90"/180" 230V 50HZ TIMER





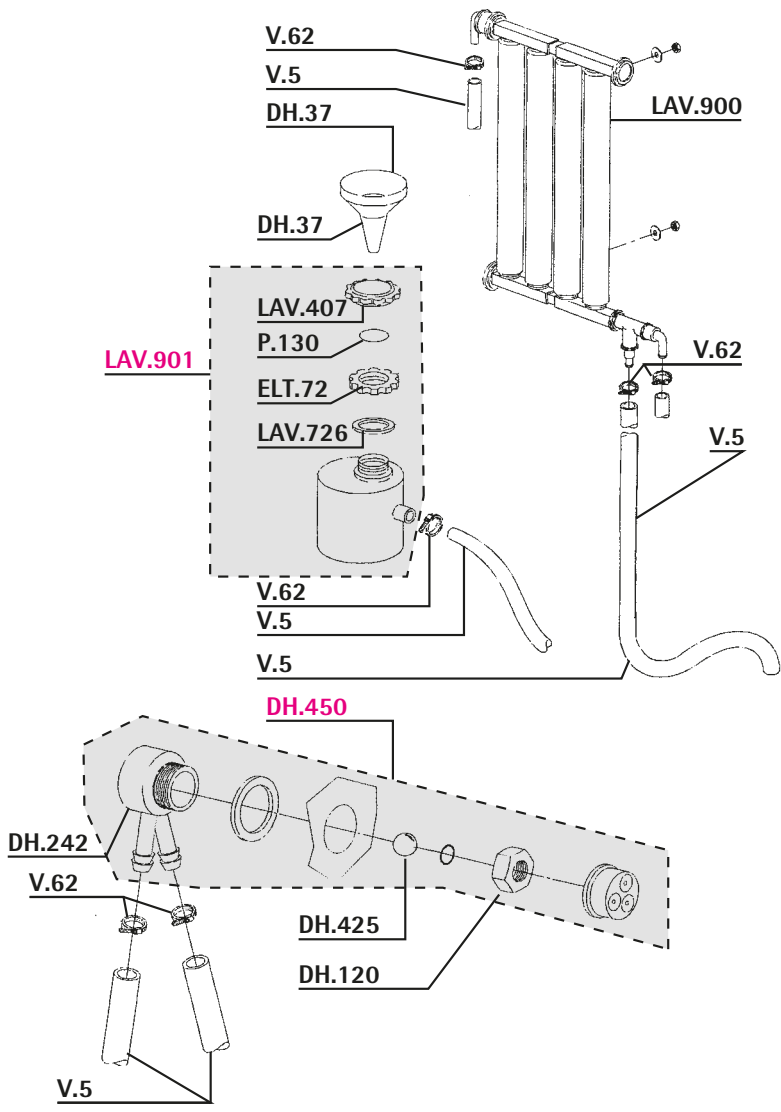
- DH.753 (1,84/2KW 230)
- DH.32 (3/3,27KW 230)



- DH.644 (6/6,53KW 230/240V)
- GASTRO 500S/GASTRO 750S
- DH.33 (4,5/4,9KW 230/240V)
- GASTRO 500S

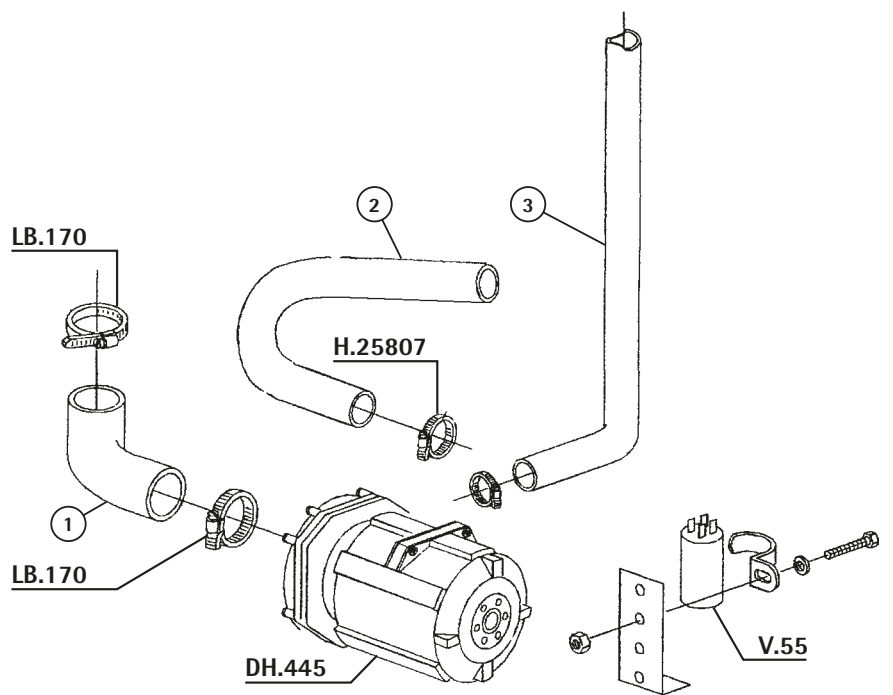
REF.	DESCRIPCIÓN	DESCRIPTION
DH..30	CALDERIN	BOILER
DH..31	TERMOSTATO SEGURIDAD 110° C	110° C SAFETY THERMOSTAT
DH..32	RESIST.CALDERIN 3000W 230V	3000W 230V BOILER RESISTANCE
DH..33	RESIST.CALDERIN 4500W/220V	4500W BOILER RESISTANCE
DH.231	PESO FILTRO	FILTER FITTING
DH.458	CALDERIN GASTRO 450	450 GASTRO BOILER
DH.546	RACOR 10MM	RACCORD 10MM
DH.587	MUELLE DOSIFICADOR ABRILLANTAD	RINSE AID SPRING
DH.588	DISCO MEMBRANA	MEMBRANE DISK
DH.589	MEMBRANA SILICONA	SILICONE MEMBRANE
DH.590	RACOR ASPIRACION	SUCTION FITTING
DH.591	JUNTA DOSIFICADOR ABRILLANTADO	RINSE AID DOSIMETER GASKET
DH.592	VALVULA SILICONA	SILICONE VALVE
DH.593	ESFERA TEFLON	TEFLON SPHERE
DH.594	RACOR LATON DOSIFICADOR ABRILL	RINSE AID SPRING
DH.595	GUIA VALVULA	VALVE GUIDE
DH.644	RESISTENCIA 6/6,53KW 230/240V	RESISTANCE 6/6 53Kw 230/240V
DH.753	RESISTENCIA 1,84/2KW 2630/240V	1,84/2KW 230/240V RESISTANCE
H25211	VALVULA ABRILLANTADOR	VALVE
LAV118	TORICA GOMA	RING
V....5	TUBO GOMA 10X16 20 ATM	20ATM 10X17 RUBBER PIPE
V....6	RACOR DOSIF.ABRILL.D=10mm	D=10mm DOSIMETER FITTING
V...62	ABRAZADERA 12-20	12-20 CLAMP
V..448	TUBO PRESOSTATO-METRO 4X6	4X6 PRE.SWITCH INLET PIPE
V..978	FILTRO DOSIFICADOR	DOSIMETER FILTER
WL1502	DOSIFICADOR ABRILLANTADOR	RINSE AID DOSIMETER

Filtro GASTRO 450 / GASTRO 500S / GASTRO 750S ■ GASTRO 450 / GASTRO 500S / GASTRO 750S Filter



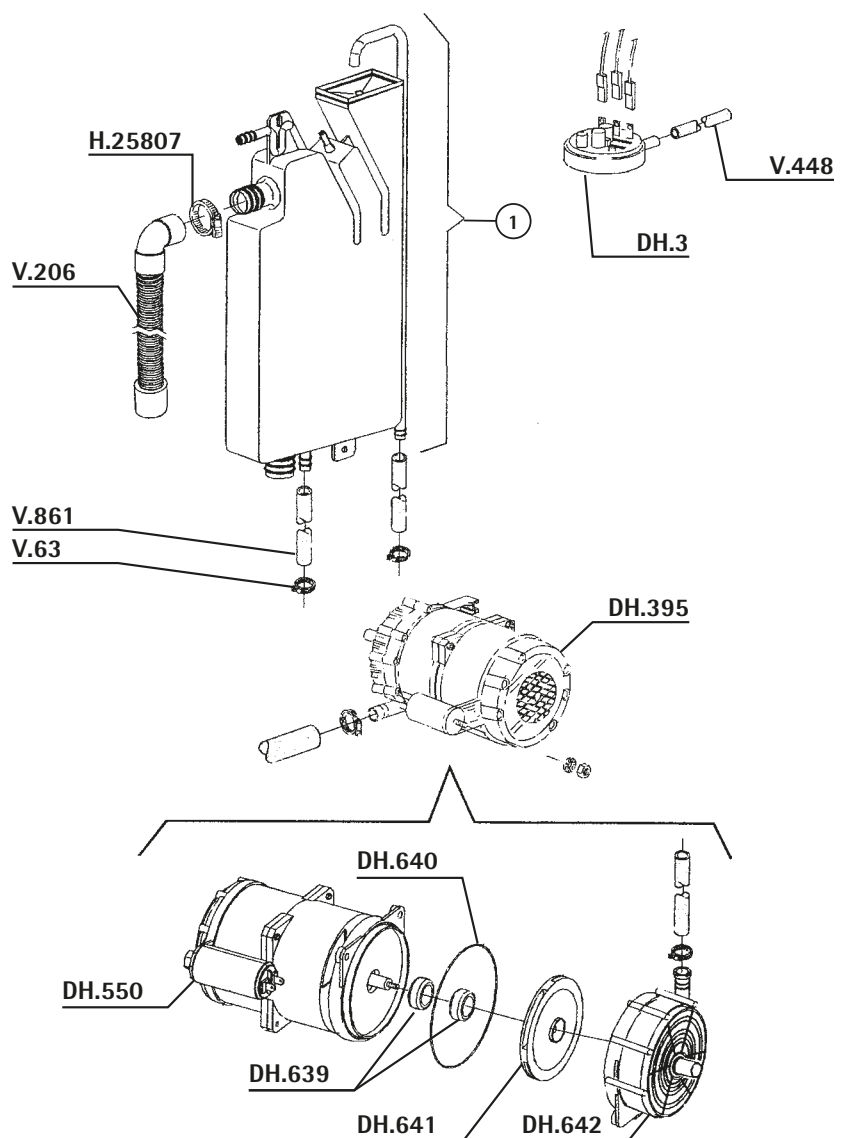
REF.	DESCRIPCIÓN	DESCRIPTION
DH..37	EMBUDO	FUNNEL
DH.120	TUERCA	NUT
DH.242	RACOR	FITTING
DH.425	ESFERA TEFLON	TEFLON SPHERE
DH.450	REDUCTOR	REDUCER
ELT.72	RACOR DEPOSITO SAL	FITTING SALT CONTAINER
LAV407	TAPON DEPOSITO SAL	SALT TANK CAP
LAV726	JUNTA GOMA BOTELLA SAL	BOTTLE SALT RUBBER GASKET
LAV900	DEPURADOR LAVATAZAS	WASHING CUP PURIFIER
LAV901	DEPOSITO SAL COMPLETO	SALT CONTAINER
P.130	TORICA EPDM	RING
V....5	TUBO GOMA 10X16 20 ATM	20ATM 10X17 RUBBER PIPE
V...62	ABRAZADERA 12-20	12-20 CLAMP

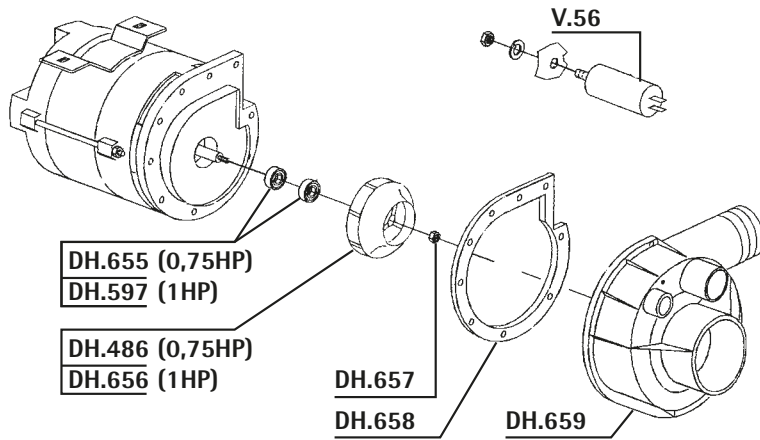
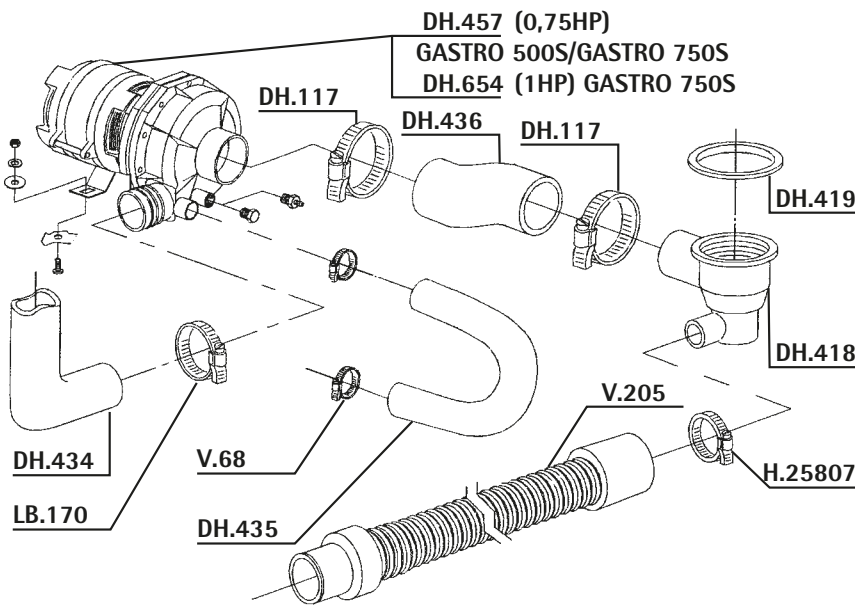
REF.	DESCRIPCIÓN	DESCRIPTION
DH.445	MOTOR 0.6HP	0.6HP MOTOR
H25807	ABRAZADERA 25-40	25-40 CLAMP
LB.170	ABRAZADERA 40-60	40-60 CLAMP
V..55	CONDENSADOR 10 MF 220V	220V 10MF.CONDENSER



Motor GASTRO 450 / GASTRO 500S / GASTRO 750S ■ GASTRO 450 / GASTRO 500S / GASTRO 750S Motor

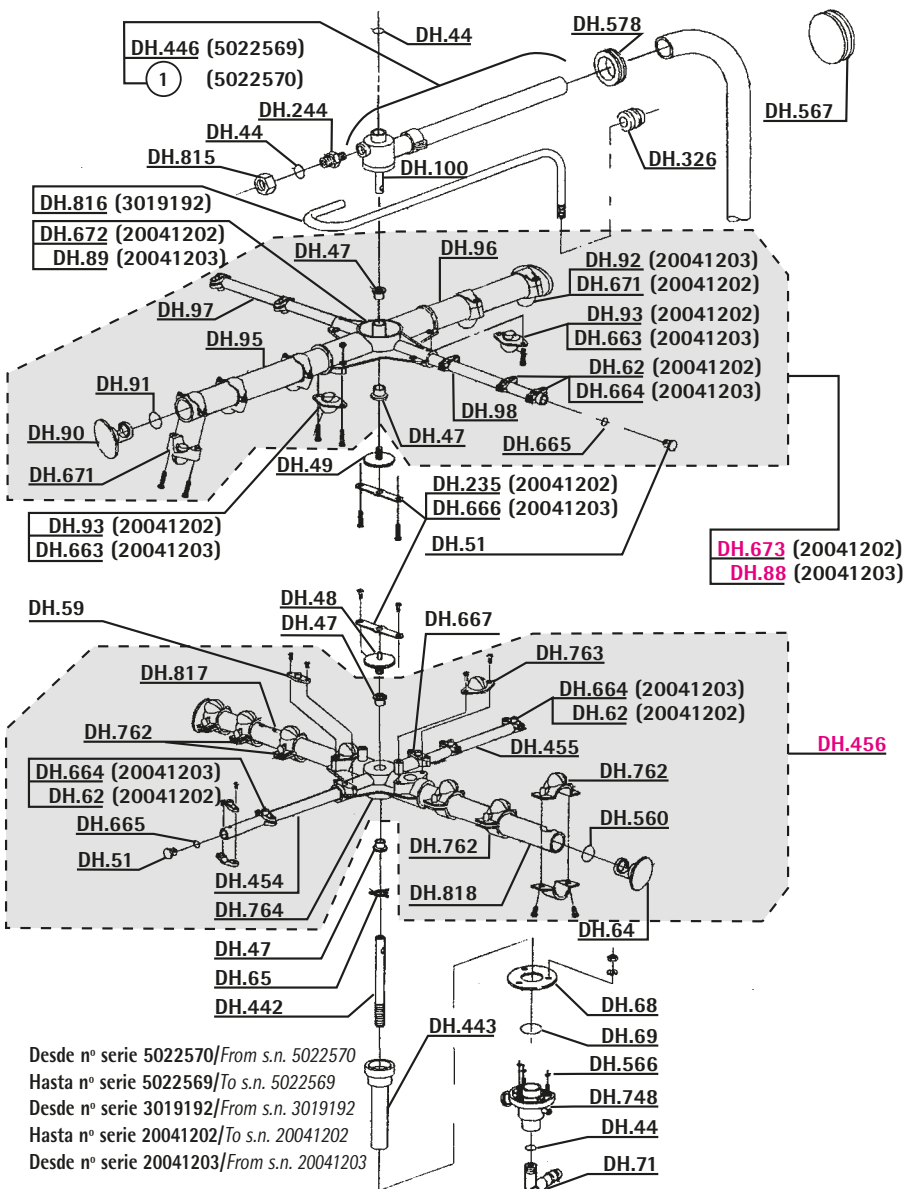
REF.	DESCRIPCIÓN	DESCRIPTION
DH...3	PRESOSTATO SAL	55/30 HORIZ.PRESS.SWITCH
DH.395	MOTOR	MOTOR
DH.550	CONDENSADOR 5MF 450V	5MF 450V CONDENSER
DH.639	RETEN MOTOR GS40	GS40 MOTOR MECHANICAL SEAL
DH.640	JUNTA MOTOR GS40	GS40 MOTOR GASKET
DH.641	TURBINA MOTOR GS40	GS40 MOTOR TURBINE
DH.642	TAPA MOTOR	MOTOR LID
H25807	ABRAZADERA 25-40	25-40 CLAMP
V..63	ABRAZADERA 20-32	20-35 CLAMP
V..206	TUBO DESAGÜE CON CODO	WITH ELBOW OUTLET PIPE
V..448	TUBO PRESOSTATO-METRO 4X6	4X6 PRE.SWITCH INLET PIPE
V..861	TUBO GOMA 12X22mm 20ATM	20ATM 12X22mm RUBBER PIPE





REF.	DESCRIPCIÓN	DESCRIPTION
DH.117	ABRAZADERA 46-70	46-70 CLAMP
DH.418	RACOR	FITTING
DH.419	JUNTA GOMA	RUBBER GASKET
DH.434	MANGUITO	SLEEVE
DH.435	MANGUITO	SLEEVE
DH.436	MANGUITO	SLEEVE
DH.457	MOTOR 0.75HP	0.75 MOTOR
DH.486	TURBINA MOTOR DH.451/457/486	DH.451/457/486 MOTOR TURBINE
DH.597	RETEN MOTOR DH105	MOTOR MECHANICAL SEAL
DH.654	MOTOR 1HP 220/240V AC 50HZ	1HP 220/240V AC 50HZ MOTOR
DH.655	RETEN MOTOR	MOTOR MECHANICAL SEAL
DH.656	GIRANTE MOTOR 1HP	MOTOR GIRATORY 1HP
DH.657	TUERCA M6 INOX	M6 INOX NUT
DH.658	JUNTA TAPA MOTOR	MOTOR LID GASKET
DH.659	TAPA MOTOR GS50	GS50 MOTOR LID
H25807	ABRAZADERA 25-40	25-40 CLAMP
LB.170	ABRAZADERA 40-60	40-60 CLAMP
V...56	CONDENSADOR 12,5 MF 220V	12,5MF 220V CONDENSER
V...68	ABRAZADERA 32-50	35-50 CLAMP
V.205	DESAGÜE EXTENSIB.2mt.22x28mm	2mt EXTENSIBLE OUT PIPE

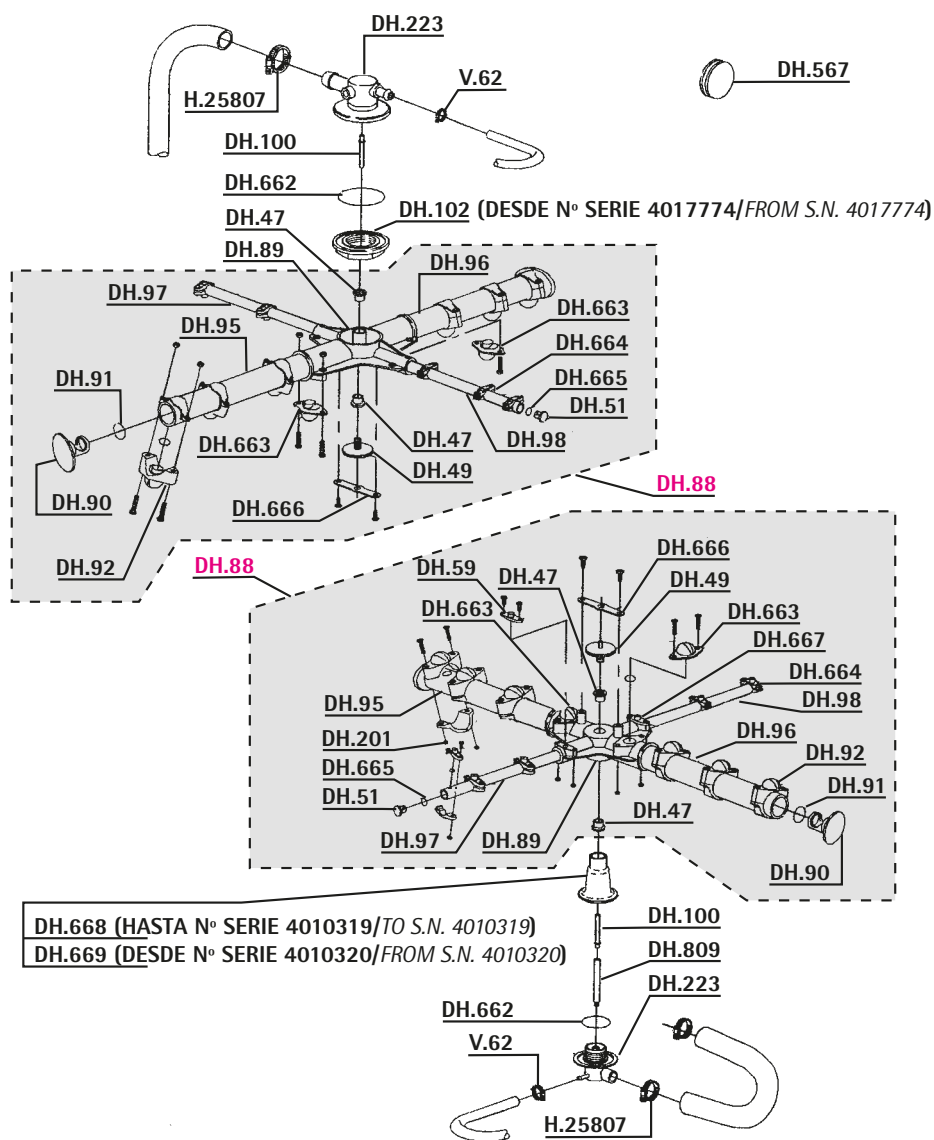
Lavado / Aclarado GASTRO 450 ■ GASTRO 450 Rinse / Wash



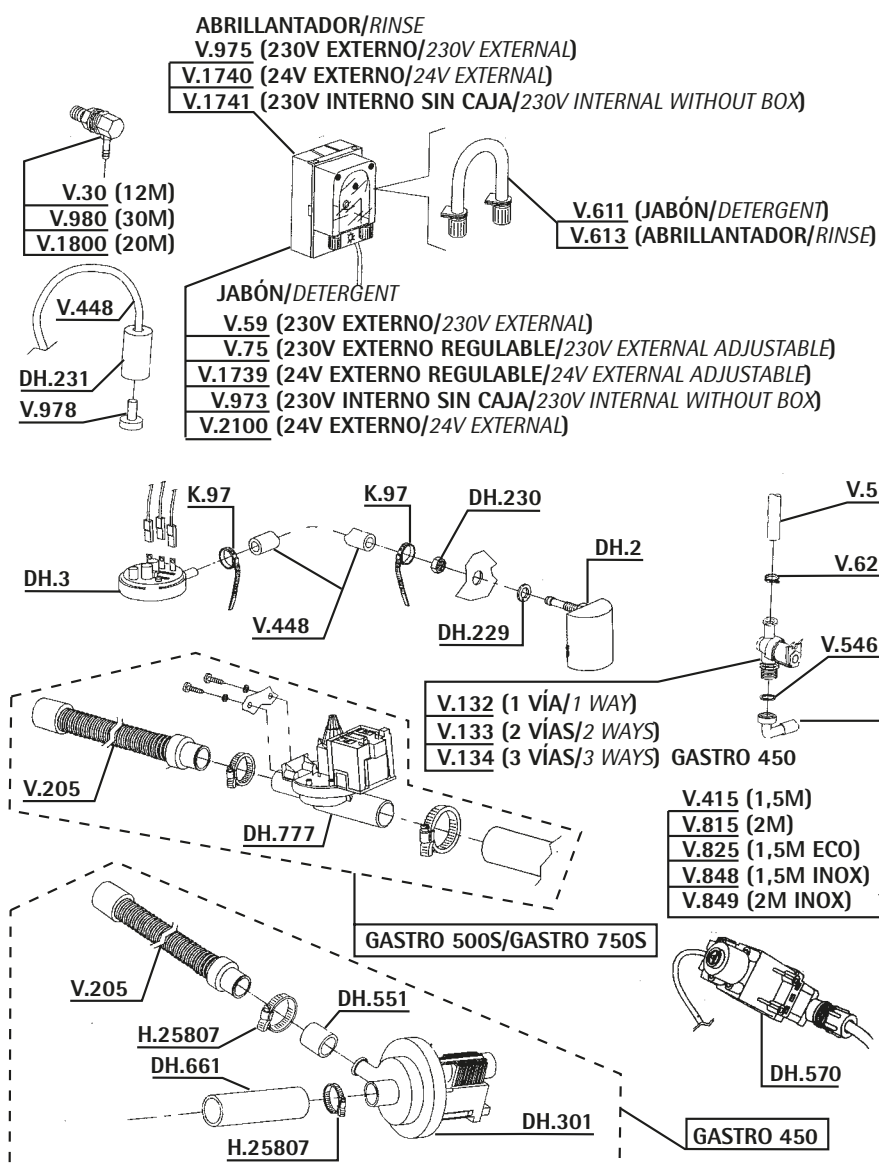
REF.	DESCRIPCIÓN	DESCRIPTION
DH..44	TORICA VITON	VITON RING
DH..47	CASQUILLO PLASTICO	CAP
DH..48	FIJACION ACLARADO SUP.	UPPER RINSE FIRMNESS
DH..49	FIJACION ARBOL LAV./ACLA	WASH/RINSE TREE FIRMNESS
DH..51	TAPON TUBO ACLARADO	RINSE PIPE CAP
DH..59	ROCIADOR ACLARADO PLANO	FLAT RINSE SPRAY
DH..62	ROCIADOR ACLARADO	RINSE SPRAY
DH..64	TAPON TUBO LAVADO	WASHING PIPE CAP
DH..65	GUIA EJE	ROD GUIDE
DH..68	DISCO INOX	INOX DISK
DH..69	TORICA	RING
DH..71	CODO 3/8M-BOQUILLA	3/8M-HOSE STEP ELBOW
DH..88	ARBOL LAVADO ACLARADO	WASH/RINSE TREE
DH..89	CENTRAL ARBOL LAV./ACLA.	WASH/RINSE ROTOR
DH..90	TAPON TUBO LAVADO	WASH PIPE CAP
DH..91	TORICA	RING
DH..92	ROCIADOR LAVADO GRANDE	WASHING SPRAY
DH..93	ROCIADOR LAVADO GR.PLANO	FLAT WASHING SPRAY
DH..95	TUBO LAVADO IZQUIERDO	LEFT WASHING PIPE
DH..96	TUBO LAVADO DERECHO	RIGHT WASHING PIPE
DH..97	TUBO ACLARADO DERECHO	TUBE RINSE PIPE
DH..98	TUBO ACLARADO IZQUIERDO	LEFT RINSE PIPE
DH..100	EJE ACLARADO SUP./INF.	UPPER LOWER CLEAR ROD
DH.235	CLAPETA	CLIP
DH.244	RACOR	FITTING
DH.326	UNION	JUNCTION
DH.442	EJE	ROD
DH.443	SOPORTE	SUPPORT
DH.446	DISTRIBUIDOR	DISTRIBUTOR
DH.454	ARBOL ACLARADO DERECHO	RIGHT RINSE ARM
DH.455	ARBOL ACLARADO	LEFT RINSE ARM
DH.456	ARBOL LAVADO-ACLARADO	WASH-RINSE TREE
DH.493	CALDERIN GS-35 MODERNO	GS-35 MODERN BOILER
DH.560	JUNTA DIFUSOR	SPRAY GASKET
DH.566	JUNTA	GASKET
DH.567	JUNTA	GASKET
DH.578	JUNTA	GASKET
DH.663	ROCIADOR ACLARADO	RINSE SPRAY
DH.664	ROCIADOR COMPLETO	COMPLET SPRAY
DH.665	JUNTA LATERAL	LATERAL GASKET
DH.666	PLACA GIRATORIO	GIRATORY PLATE
DH.667	ROCIADOR PLANO	PLANE SPRAY
DH.671	BRIDA INFERIOR ROCIADOR	SPRAY LOWER CLASP
DH.672	CRUCETA GIRATORIO GS45	GIRATORY CROSSHAND
DH.673	GIRATORIO COMPLETO GS45	GS45 COMPLET GIRATORY
DH.748	COLECTOR INFERIOR	LOWER COLECTOR
DH.762	ROCIADOR PARTE SUPERIOR	UPPER SPRAY
DH.763	ROCIADOR PARTE SUPERIOR	UPPER SPRAY
DH.764	CRUCETA	CROSS
DH.815	TUERCA 3/8x3,5 DIAM 10	3/8x3,5 DIAM 10 NUT
DH.816	TUBO	PIPE
DH.817	TUBO LAVADO IZQUIERDO	LEFT WASHING PIPE
DH.818	TUBO LAVADO DERECHO	RIGHT WASHING PIPE

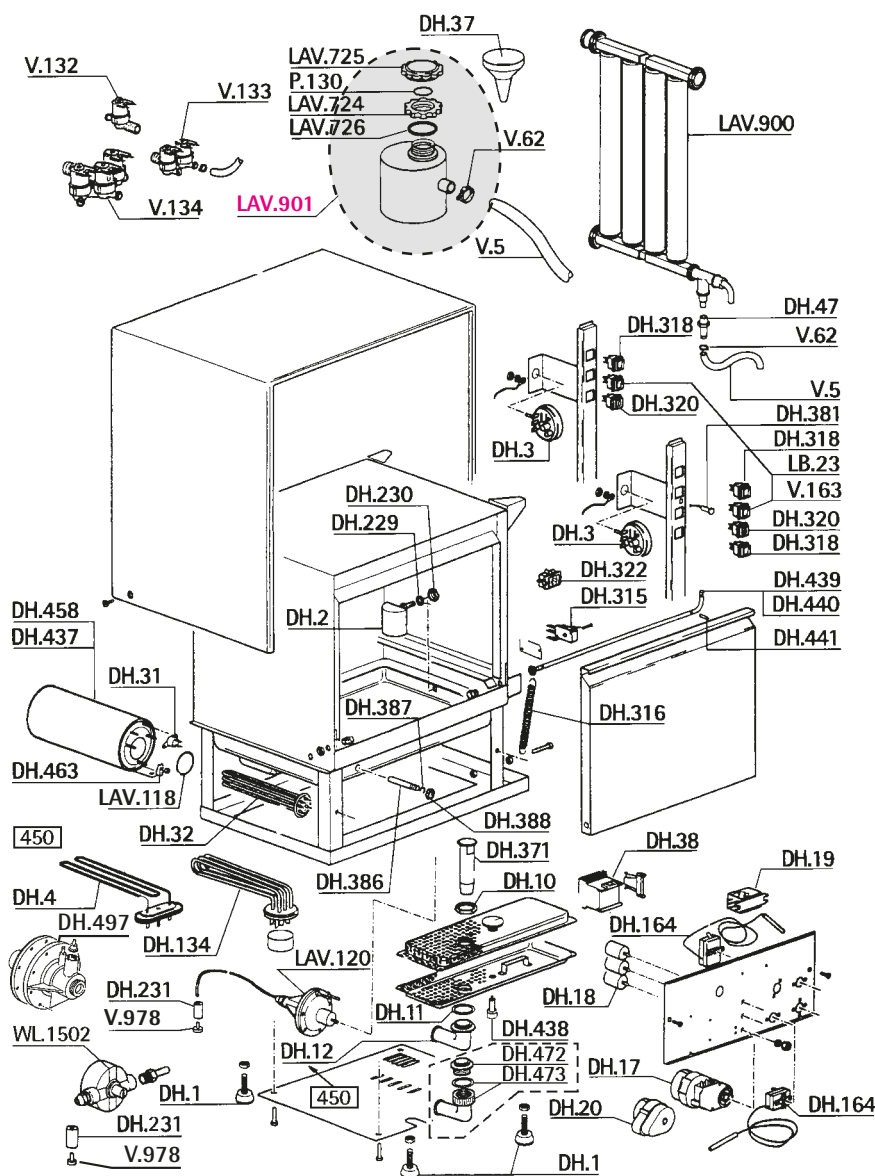
Desde nº serie 5022570/From s.n. 5022570
 Hasta nº serie 5022569/To s.n. 5022569
 Desde nº serie 3019192/From s.n. 3019192
 Hasta nº serie 20041202/To s.n. 20041202
 Desde nº serie 20041203/From s.n. 20041203

REF.	DESCRIPCIÓN	DESCRIPTION
DH..47	CASQUILLO PLASTICO	CAP
DH..49	FIJACION ARBOL LAV./ACL	WASH/RINSE TREE FIRMNESS
DH..51	TAPON TUBO ACLARADO	RINSE PIPE CAP
DH..59	ROCIADOR ACLARADO PLANO	FLAT RINSE SPRAY
DH..88	ARBOL LAVADO ACLARADO	WASH/RINSE TREE
DH..89	CENTRAL ARBOL LAV./ACLA.	WASH/RINSE ROTOR
DH..90	TAPON TUBO LAVADO	WASH PIPE CAP
DH..91	TORICA	RING
DH..92	ROCIADOR LAVADO GRANDE	WASHING SPRAY
DH..95	TUBO LAVADO IZQUIERDO	LEFT WASHING PIPE
DH..96	TUBO LAVADO DERECHO	RIGHT WASHING PIPE
DH..97	TUBO ACLARADO DERECHO	TUBE RINSE PIPE
DH..98	TUBO ACLARADO IZQUIERDO	LEFT RINSE PIPE
DH.100	EJE ACLARADO SUP./INF.	UPPER LOWER CLEAR ROD
DH.102	FIJACION RACORD SUPERIOR	UPPER FITTING FIRMNESS
DH.201	TORNILLO	SCREW
DH.223	COLECTOR	COLLECTOR
DH.567	JUNTA	GASKET
DH.662	JUNTA COLECTOR INFERIOR	LOWER COLECTOR GASKET
DH.663	ROCIADOR ACLARADO	RINSE SPRAY
DH.664	ROCIADOR COMPLETO	COMPLET SPRAY
DH.665	JUNTA LATERAL	LATERAL GASKET
DH.666	PLACA GIRATORIO	GIRATORY PLATE
DH.667	ROCIADOR PLANO	PLANE SPRAY
DH.668	SOPORTE GIRATORIO INFERIOR	LOWER GIRATORY SUPPORT
DH.669	SOPORTE GIRATORIO INFERIOR	LOWER GIRATORY SUPPORT
DH.809	EJE INFERIOR	LOWER ROD
H25807	ABRAZADERA 25-40	25-40 CLAMP
V...62	ABRAZADERA 12-20	12-20 CLAMP



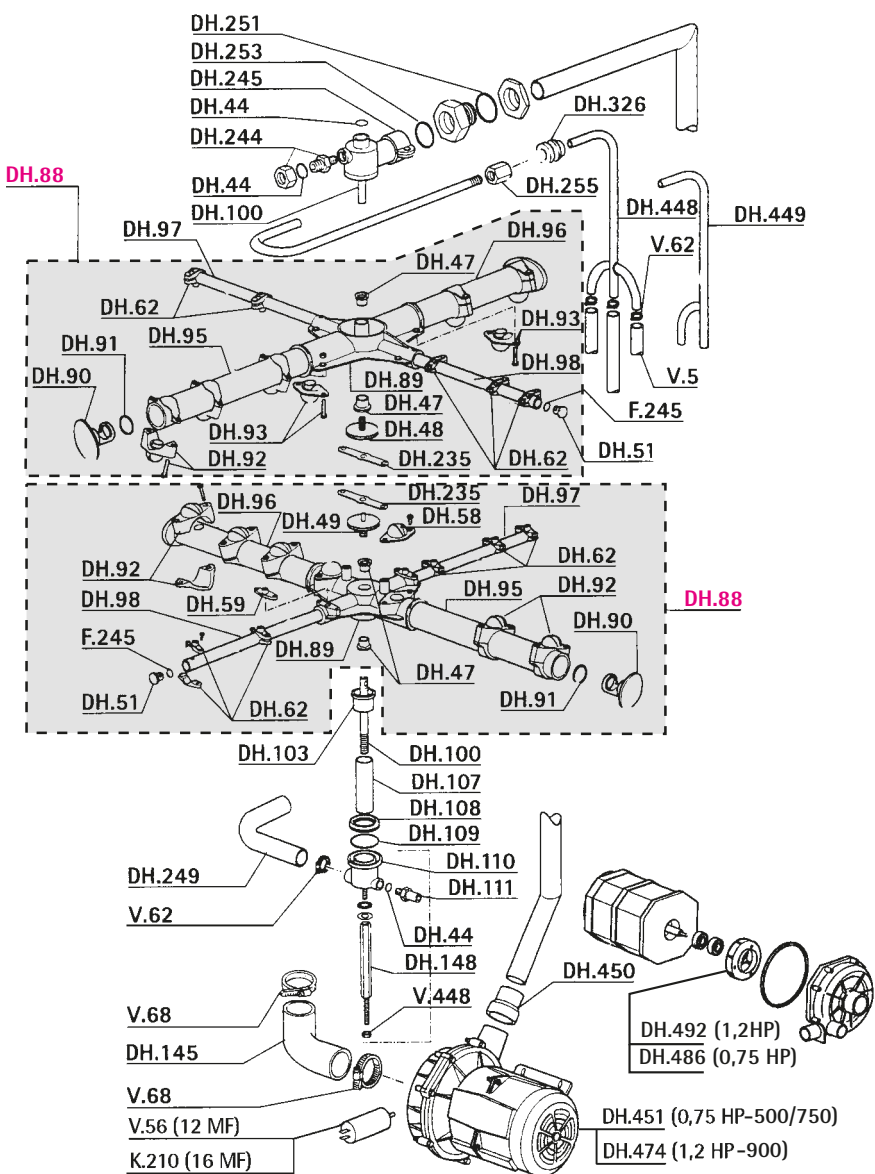
REF.	DESCRIPCIÓN	DESCRIPTION
DH...2	CAMARA PRESOSTATICA	PRESSURE SWITCH CHAMBER
DH...3	PRESOSTATO SAL	55/30 HORIZ.PRESS.SWITCH
DH.229	JUNTA ALIMENTARIA	ALIMENTARY GASKET
DH.230	TUERCA INOX	NUT
DH.231	PESO FILTRO	FILTER FITTING
DH.301	BOMBA DESAGÜE	OUTLET PUMP
DH.551	MANGUITO	SLEEVE
DH.570	DOSIFICADOR ABRILLANTADOR	RISE AND DOSSIMETER
DH.661	TUBO	PIPE
DH.777	BOMBA DESAGÜE	DRAIN PUMP
H25807	ABRAZADERA 25-40	25-40 CLAMP
K...97	BRIDA NYLON	5X24mm NYLON CLASP
V...5	TUBO GOMA 10X16 20 ATM	20ATM 10X17 RUBBER PIPE
V...30	RACOR ENTRADA JABON	INLET SOAP FITTING
V...59	DOSIFICADOR PERISTALTICO	DOSIMETER
V...62	ABRAZADERA 12-20	12-20 CLAMP
V...75	DOSIF.PERISTALTICO REGULA	ADJUSTABLE DOSIMETER
V..132	ELECTROVAL.1 VIA LAV.220V	WASH 1 WAY 220V SOLENOID
V..133	ELECTROVAL.2 VIA LAV.220V	WASH 2 WAYS 220V SOLENOID
V..134	ELECTROVAL.3VIA LAV.220V	WASH 3 WAYS 220V SOLENOID
V..205	DESAGÜE EXTENSIB.2mt.22x28mm	2mt EXTENSIBLE OUT PIPE
V..415	TOMA LAVADORA 1,5M	QUALITY 1.5M.INLET W.FLEX
V..448	TUBO PRESOSTATO-METRO 4X6	4X6 PRE.SWITCH INLET PIPE
V..546	JUNTA GOMA 3/4	WATER INLET RUBBER GASKET
V..611	TUBO INTERIOR DOS.PER. JABON	INLET PIPE
V..613	TUBO INTERIOR DOS.PER.ABRILLAN	RINS.AID INSIDE PIPE
V..815	TOMA LAVADORA 2 METROS	2 MT.INLET WATER FLEXIBLE
V..825	TOMA LAVADORA 1.5 "ECO"	"ECO"1.5M INLET WA.FLEXIB
V..848	TOMA LAVADORA 1.5M INOX	INOX 1.5M INLET WATER FL.
V..849	TOMA LAV.INOX 2MT.3/4X3/4	INOX 2MT.INLET WATER FLE.
V..973	DOSIFICADOR PERISTALTICO INTER	INTERNAL PERISTALTIC DOS.
V..975	DOSIFICADOR ABRILLANTADOR EXT.	EXTERNAL RINSE DOSIMETER
V..978	FILTRO DOSIFICADOR	DOSIMETER FILTER
V..980	RACOR ENTRADA JABON LARGO	LONG INLET FITTING
V.1739	DOSIF.PERISTAL.REGULABLE 24Vac	24Vac ADJUSTABLE DOSIMETER
V.1740	DOSIF.ABRILLAN.EXTERNO 24Vac	24Vac EXTERNAL RINSE DOSIMETER
V.1741	DOSIF.ABRILL.INTERNO 230V AC	230Vac INTERNAL RINSE DOSIMET
V.1800	RACOR ENTRADA JABON METALICO	METALIC DETER.INLET FITTING
V.2100	DOSIFICADOR PERISTAL.JABON 24V	24V SOAP DOSIMETER





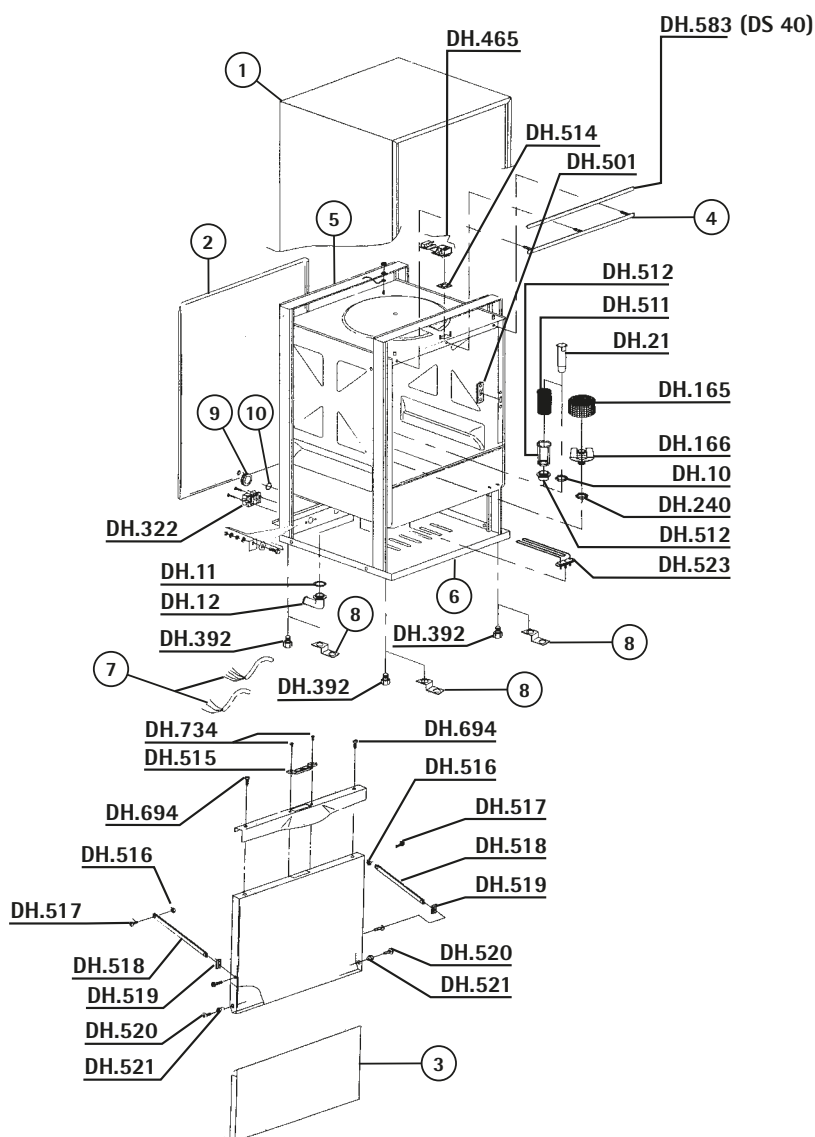
REF.	DESCRIPCIÓN	DESCRIPTION
DH...1	PATA	FOOT
DH...2	CAMARA PRESOSTATICA	PRESSURE SWITCH CHAMBER
DH...3	PRESOSTATO SAL	55/30 HORIZ.PRESS.SWITCH
DH...4	RESISTENCIA CUBA 1850W	1850W TANK RESISTANCE
DH...10	TUERCA CODO DESAGÜE	OUTLET ELBOW NUT
DH...11	JUNTA GOMA	RUBBER GASKET
DH...12	CODO DESAGÜE	DRAIN ELBOW
DH...17	TEMPORIZADOR 2MICROS 150Yy	2TOOTH 150° TIMER
DH...18	FILTRO ANTIPARASITARIO	ANTIPARASTIC FILTER
DH...19	RELE 16A 230V	230V 16A RELAY
DH...20	TEMPORIZAD.3MICROS 18MIN.	3TOOTH 18MIN.TIMER
DH...31	TERMOSTATO SEGURIDAD 110° C	110° C SAFETY THERMOSTAT
DH...32	RESIST.CALDERIN 3000W 230V	3000W 230V BOILER RESISTANCE
DH...37	EMBUDO	FUNNEL
DH...38	CONTACTOR	CONTACTOR
DH...47	CASQUILLO PLASTICO	CAP
DH...134	RESISTENCIA CUBA 3000W 230V	RESIST. TANK 3000W 230V
DH...164	TERMOSTATO 0-90°	0-90° THERMOSTAT
DH...229	JUNTA ALIMENTARIA	ALIMENTARY GASKET
DH...230	TUERCA INOX	NUT
DH...231	PESO FILTRO	FILTER FITTING
DH...315	MICRO PUERTA 250V 16A	250V 16A DOOR MICROSWITCH
DH...316	MUELLE PUERTA	DOOR SPRING
DH...318	PULSADOR VERDE 4 FAXTON	4 FAXTON GREEN BUTTON
DH...320	INTERRUPTOR.PILOTO VERDE	LUMINOUS SWITCH & WA.LAMP SWITCH
DH...322	INTERRUPTOR	SWITCH
DH...371	SOBRENIVEL	OVERFLOW
DH...381	PILOTO	WARNING LAMP
DH...386	TERMOSTATO	THERMOSTAT
DH...387	JUNTA ALIMENTARIA	ALIMENTARY GASKET
DH...388	TUERCA	NUT
DH...437	CALDER.GASTRO 500-750-900	GASTRO 500-750-900 BOILER
DH...438	RACOR FILTRO	FILTER FITTING
DH...439	EJE PUERTA GASTRO 450	GASTRO 450 DOOR ROD
DH...440	EJE PUER.GAST.500-750-900	GAST.500/750/900 DOOR ROD
DH...441	PERNO	BOLT
DH...458	CALDERIN GASTRO 450	450 GASTRO BOILER
DH...463	GRAPA SUJECION	SUBJECTION STAPLE
DH...472	TAPON	CAP
DH...473	CODO 1" 1/4	1" 1/4 ELBOW
DH...497	DOSIFICADOR ABRILLANTADOR MOD.	MODERN RINSE AID DOSIMETER
LAV118	TORICA GOMA	RING
LAV120	DOSIFICADOR ABRILLANTADOR	RINSE AID DOSIMETER
LAV724	TUERCA DEPOSITO SAL	SALT CONTAINER NUT
LAV725	TAPON BOTELLA SAL	SALT BOTTLE CAP
LAV726	JUNTA GOMA BOTELLA SAL	BOTTLE SALT RUBBER GASKET
LAV900	DEPURADOR LAVATAZAS	WASHING CUP PURIFIER
LAV901	DEPOSITO SAL COMPLETO	SALT CONTAINER
LB..23	INTERRUPTOR 4FAXTON VERDE	GREEN 4 FAXTON SWITCH
P..130	TORICA EPDM	RING
V...5	TUBO GOMA 10X16 20 ATM	20ATM 10X17 RUBBER PIPE
V...62	ABRAZADERA 12-20	12-20 CLAMP
V..132	ELECTROVAL.1 VIA LAV.220V	WASH 1 WAY 220V SOLENOID
V..133	ELECTROVAL.2 VIA LAV.220V	WASH 2 WAYS 220V SOLENOID
V..134	ELECTROVAL.3VIA LAV.220V	WASH 3 WAYS 220V SOLENOID
V..163	FUNDA ESTANQUEIDAD	WATERTIGHTNESS COVER
V..978	FILTRO DOSIFICADOR	DOSIMETER FILTER
WL1502	DOSIFICADOR ABRILLANTADOR	RINSE AID DOSIMETER

Lavado / Aclarado GASTRO 900 ■ GASTRO 900 Rinse / Wash



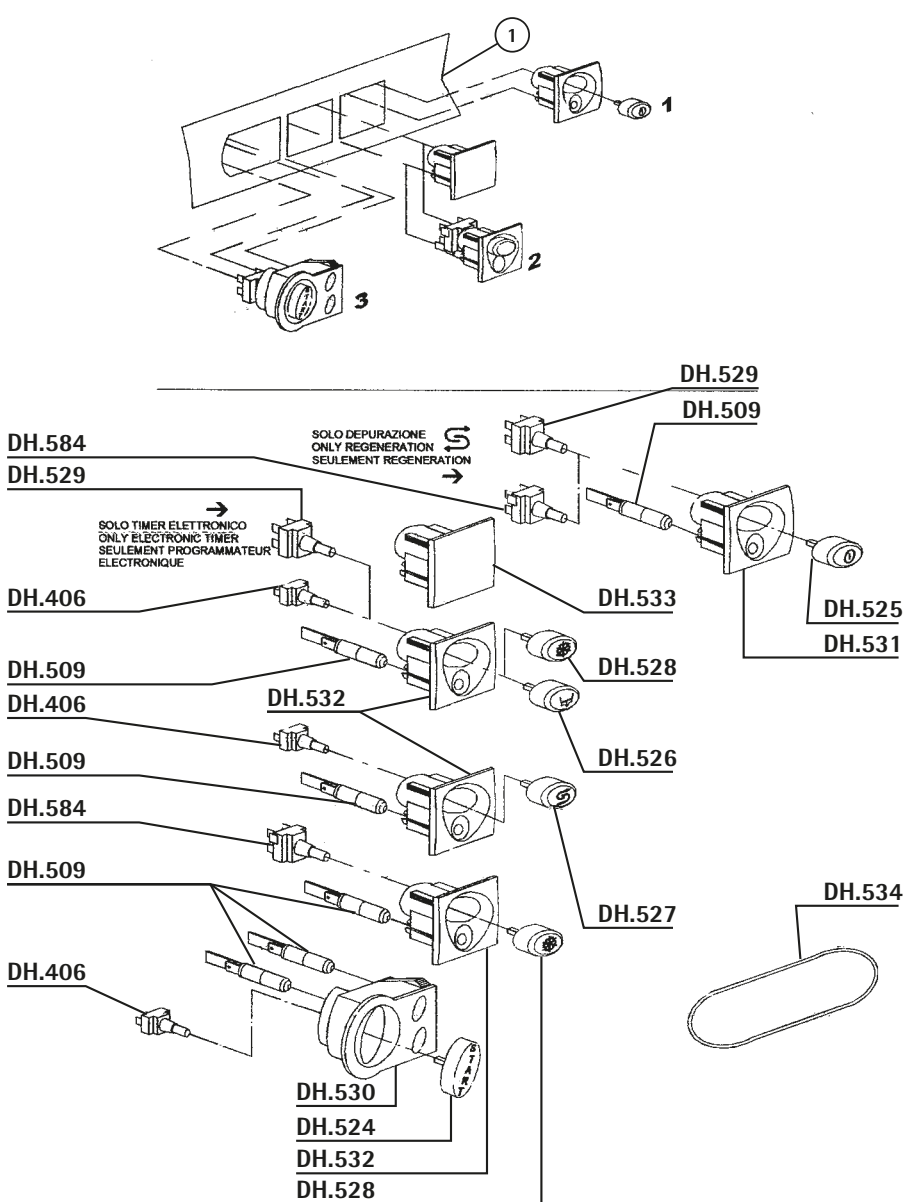
REF.	DESCRIPCIÓN	DESCRIPTION
DH..44	TORICA VITON	VITON RING
DH..47	CASQUILLO PLASTICO	CAP
DH..48	FIJACION ACLARADO SUP.	UPPER RINSE FIRMNESS
DH..49	FIJACION ARBOL LAV./ACL	WASH/RINSE TREE FIRMNESS
DH..51	TAPON TUBO ACLARADO	RINSE PIPE CAP
DH..58	ROCIADOR LAVADO PLANO	WASHING SPRAY
DH..59	ROCIADOR ACLARADO PLANO	FLAT RINSE SPRAY
DH..62	ROCIADOR ACLARADO	RINSE SPRAY
DH..88	ARBOL LAVADO ACLARADO	WASH/RINSE TREE
DH..89	CENTRAL ARBOL LAV./ACLA.	WASH/RINSE ROTOR
DH..90	TAPON TUBO LAVADO	WASH PIPE CAP
DH..91	TORICA	RING
DH..92	ROCIADOR LAVADO GRANDE	WASHING SPRAY
DH..93	ROCIADOR LAVADO GR.PLANO	FLAT WASHING SPRAY
DH..95	TUBO LAVADO IZQUIERDO	LEFT WASHING PIPE
DH..96	TUBO LAVADO DERECHO	RIGHT WASHING PIPE
DH..97	TUBO ACLARADO DERECHO	TUBE RINSE PIPE
DH..98	TUBO ACLARADO IZQUIERDO	LEFT RINSE PIPE
DH..100	EJE ACLARADO SUP./INF.	UPPER LOWER CLEAR ROD
DH..103	CASQUILLO EJE LAVADO INF.	LOWER WASHING ROD CAP
DH..107	MANGUITO INOX LAVADO INF.	WASHING LOWER INOX SLEEVE
DH..108	ARANDELA LAVADO INFERIOR	LOWER WASH WASHER
DH..109	TORICA	RING
DH..110	COLECTOR DISTRIBUIDOR INF	DISTRIBUTOR COLLECTOR
DH..111	RACOR	FITTING
DH..145	MANGUITO ASPIRACION	SUCTION SLEEVE
DH..148	TIRANTE COLECTOR	COLLECTOR DRAWER
DH..235	CLAPETA	CLIP
DH..244	RACOR	FITTING
DH..245	COLECTOR SUPERIOR	UPPER COLLECTOR
DH..249	MANGUITO	SLEEVE
DH..251	TORICA	RING
DH..253	TORICA	RING
DH..255	TUERCA	NUT
DH..326	UNION	JUNCTION
DH..448	DERIVACION	DERIVATION
DH..449	DERIVACION 2 VIAS	2 WAYS DERIVATION
DH..450	REDUCTOR	REDUCER
DH..451	MOTOR 0.75HP	0.75HP MOTOR
DH..474	MOTOBOMBA 1,2 HP	1,2 HP WASHING PUMP
DH..486	TURBINA MOTOR DH.451/457/486	DH.451/457/486 MOTOR TURBINE
DH..492	TURBINA MOTOR DH.115/474	DH.115/474 MOTOR TURBINE
F..245	TORICA GOMA EPDM	RUBBER RING
K..210	CONDENSADOR 16 MF. 220V	16 MF. 220V CONDENSER
V...5	TUBO GOMA 10X16 20 ATM	20ATM 10X17 RUBBER PIPE
V...56	CONDENSADOR 12,5 MF 220V	12,5MF 220V CONDENSER
V..62	ABRAZADERA 12-20	12-20 CLAMP
V..68	ABRAZADERA 32-50	35-50 CLAMP
V..448	TUBO PRESOSTATO-METRO 4X6	4X6 PRE.SWITCH INLET PIPE

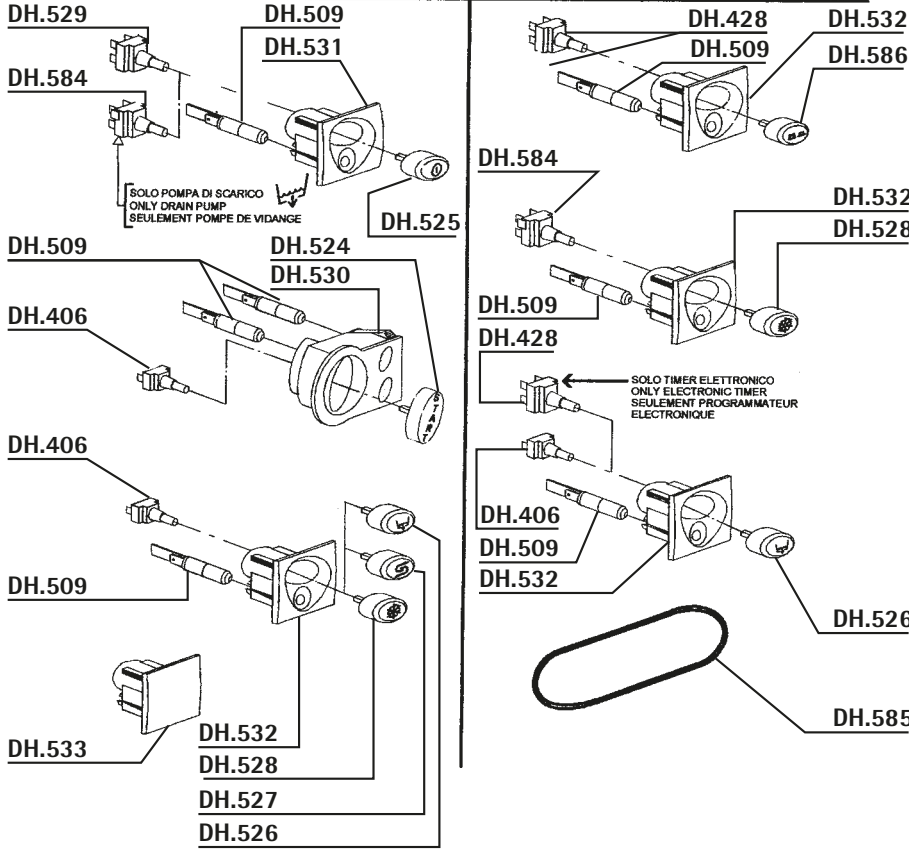
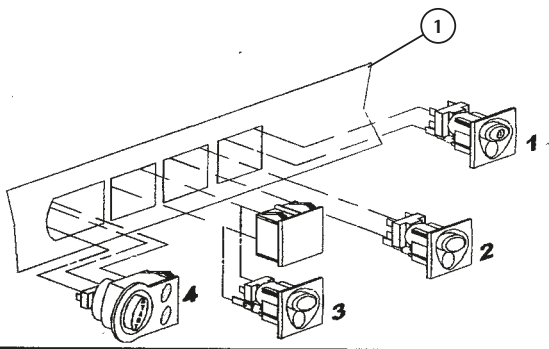
REF.	DESCRIPCIÓN	DESCRIPTION
DH..10	TUERCA CODO DESAGÜE	OUTLET ELBOW NUT
DH..11	JUNTA GOMA	RUBBER GASKET
DH..12	CODO DESAGÜE	DRAIN ELBOW
DH..21	SOBRENIVEL	OVERFLOW
DH.165	FILTRO MODERNO	MODERN FILTER
DH.166	SOPORTE FILTRO MODERNO	MODERN FILTER SUPPORT
DH.240	TORICA	RING
DH.322	INTERRUPTOR	SWITCH
DH.392	PATA	FOOT
DH.465	CIERRE PUERTA MODERNO	MODERN CLOSING DOOR
DH.501	CHAPA PUERTA	DOOR PLATE
DH.511	FILTRO INOX BOMBA	PUMP INOX FILTER
DH.512	TUERCA INOX FILTRO	FILTER INOX NUT
DH.514	JUNTA CIERRA PUERTA	DOOR CLOSING GASKET
DH.515	ALOJAMIENTO CIERRE	CLOSING LODGING
DH.516	TUERCA M4 INOX	NUT M4 INOX
DH.517	TORNILLO M4x8	SCREW M4x8
DH.518	VARILLA PUERTA	DOOR ROD
DH.519	GUIA VARILLA	ROD GUIDE
DH.520	TORNILLO INOX M5x25	SCREW INOX M5x25
DH.521	TACO TORNILLO PUERTA	DOOR SCREW LODGING
DH.523	RESISTENCIA 1850W/2020W 230/24	RESISTANCE 1850W/2020W 230/240
DH.583	JUNTA PUERTA GS40	GS40 DOOR GASKET
DH.694	TORNILLO M4x14	SCREW M 4x14
DH.734	TORNILLO M 4x12	M 4x12 SCREW



Panel de mandos DS35 - DS37 ■ DS35 - DS37 Control panel

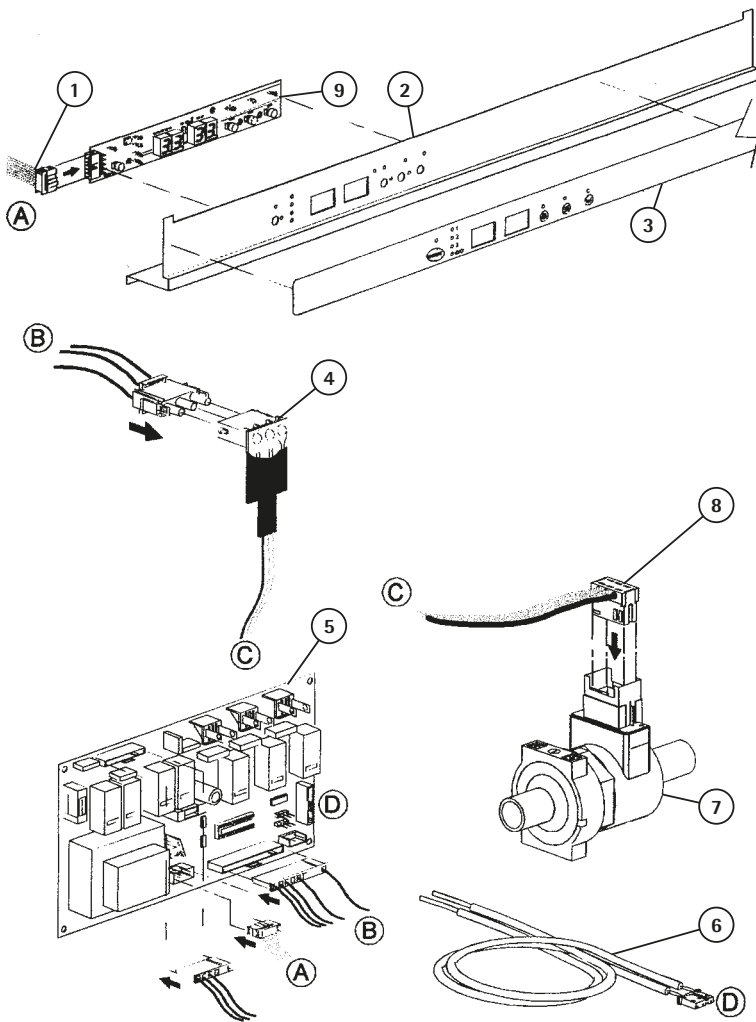
REF.	DESCRIPCIÓN	DESCRIPTION
DH.406	PULSADOR UNIPOLAR	UNIPOLAR PUSH-BUTTON
DH.509	LAMPARA 220V	220V LAMP
DH.524	BOTON START	START BUTTON
DH.525	BOTON ON-OFF	ON-OFF BUTTON
DH.526	BOTON BOMBA VACIO	DRAIN PUMP BUTTON
DH.527	BOTON DEPURACION	PURIFIER BUTTON
DH.528	BOTON CALOR/FRIO	BUTTON HEAT/COLD
DH.529	PULSANTE BIPOLAR 16A	BIPOLAR PUSH-BUTTON 16A
DH.530	SOPORTE PULSADOR	PUSH-BUTTON SUPPORT
DH.531	SOPORTE INTERRUPTOR	SWITCH SUPPORT
DH.532	SOPORTE INTERRUPTOR	SWITCH SUPPORT
DH.533	TAPA	COVER
DH.534	JUNTA	GASKET
DH.584	CONMUTADOR BIPOLAR 16A	16A BIPOLAR SWITCH



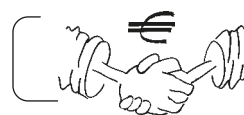


REF.	DESCRIPCIÓN	DESCRIPTION
DH.406	PULSADOR UNIPOLAR	UNIPOLAR PUSH-BUTTON
DH.428	INTERRUPTOR	SWITCH
DH.509	LAMPARA 220V	220V LAMP
DH.524	BOTON START	START BUTTON
DH.525	BOTON ON-OFF	ON-OFF BUTTON
DH.526	BOTON BOMBA VACIO	DRAIN PUMP BUTTON
DH.527	BOTON DEPURACION	PURIFIER BUTTON
DH.528	BOTON CALOR/FRIO	BUTTON HEAT/COLD
DH.529	PULSANTE BIPOLAR 16A	BIPOLAR PUSH-BUTTON 16A
DH.530	SOPORTE PULSADOR	PUSH-BUTTON SUPPORT
DH.531	SOPORTE INTERRUPTOR	SWITCH SUPPORT
DH.532	SOPORTE INTERRUPTOR	SWITCH SUPPORT
DH.533	TAPA	COVER
DH.584	CONMUTADOR BIPOLAR 16A	16A BIPOLAR SWITCH
DH.585	JUNTA PANEL	PANEL GASKET
DH.586	BOTON SELECTOR TIEMPO	SELECTOR TIME BUTTON

Panel de mandos electrónico DS40 ■ DS40 Electric control panel

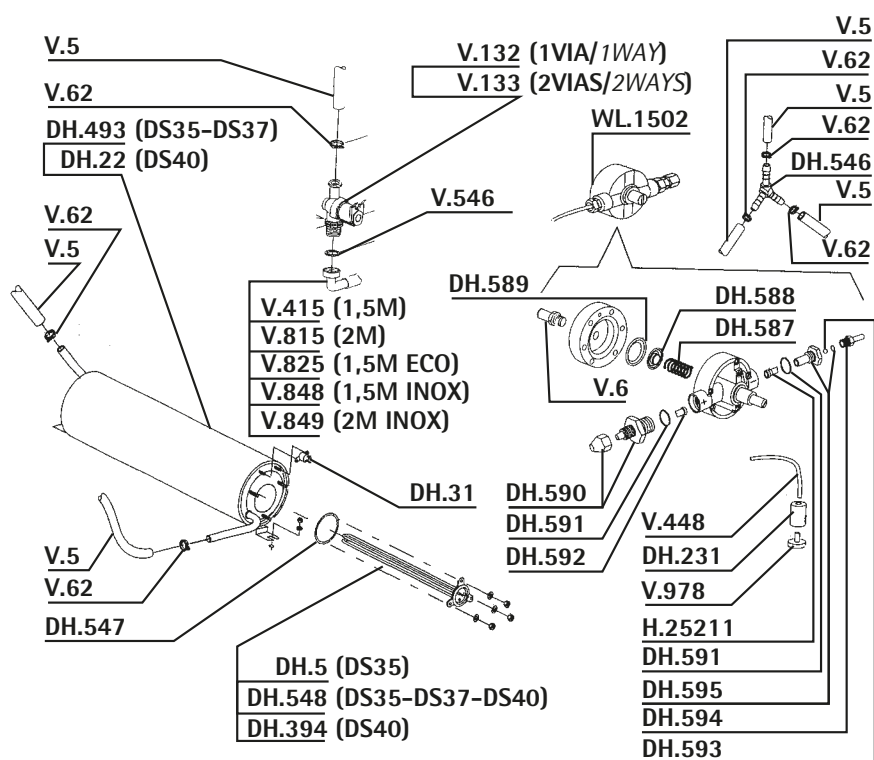


REF.	DESCRIPCIÓN	DESCRIPTION

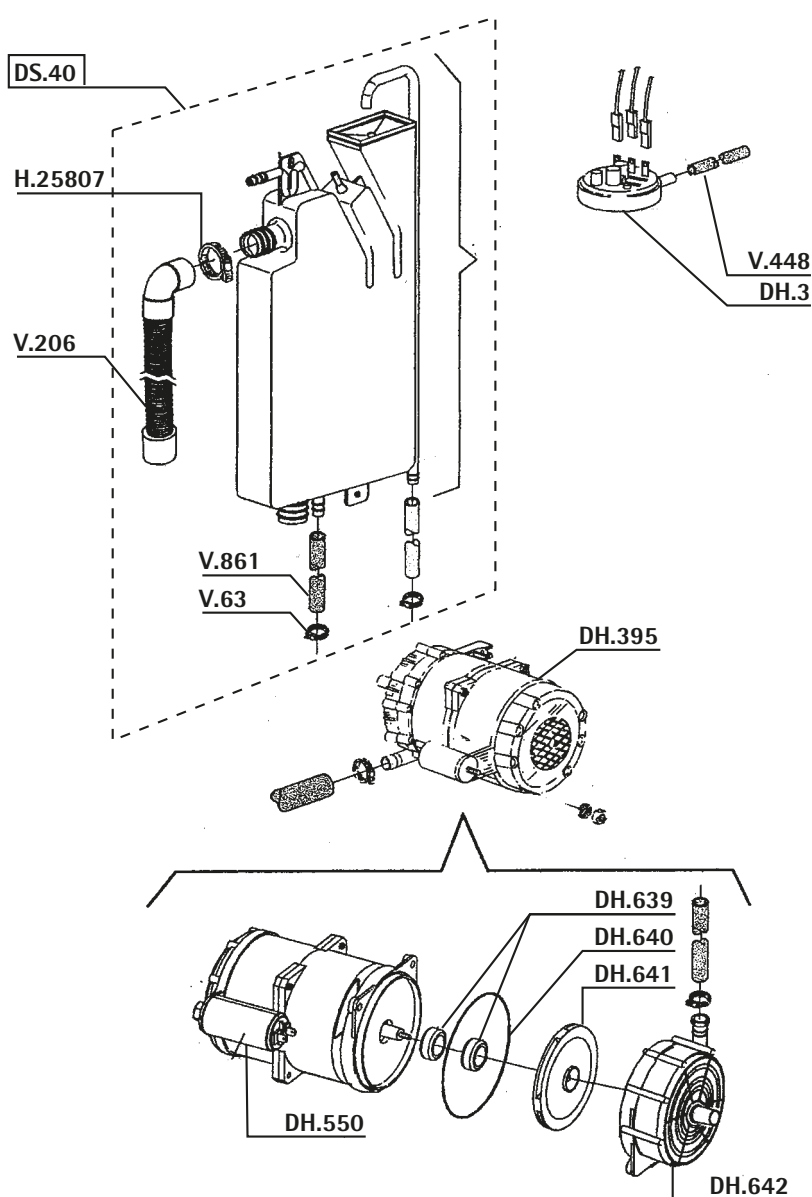


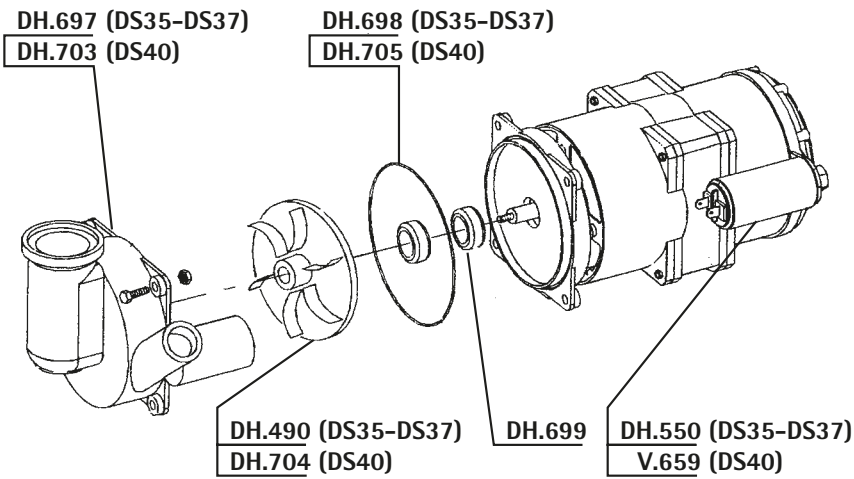
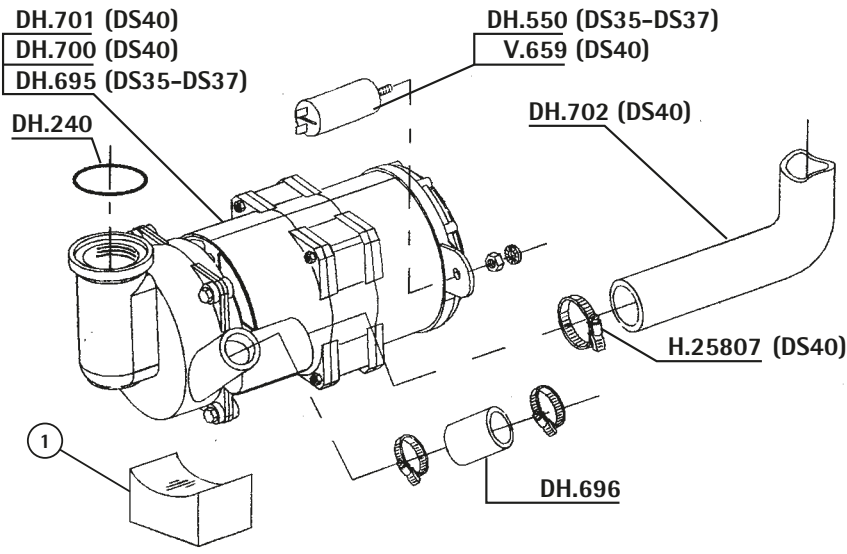
Save time and money..
Order **ASCASO** your spare parts.

REF.	DESCRIPCIÓN	DESCRIPTION
DH...5	RESIST.CALDERIN 2400W	2400W 230V BOILER RESISTANCE
DH..22	CALDERIN GS 40W	GS 40W BOILER
DH..31	TERMOSTATO SEGURIDAD 110° C	110° C SAFETY THERMOSTAT
DH.231	PESO FILTRO	FILTER FITTING
DH.394	RESISTENC.CALDERIN 4000W	4000W BOILER RESISTANCE
DH.493	CALDERIN GS-35 MODERNO	GS-35 MODERN BOILER
DH.546	RACOR 10MM	RACCORD 10MM
DH.547	JUNTA RESISTENCIA	RESISTANCE GASKET
DH.548	RESISTENCIA 2800W 230V	RESISTANCE 2800W 230V
DH.587	MUELLE DOSIFICADOR ABRILLANTAD	RINSE AID SPRING
DH.588	DISCO MEMBRANA	MEMBRANE DISK
DH.589	MEMBRANA SILICONA	SILICONE MEMBRANE
DH.590	RACOR ASPIRACION	SUCTION FITTING
DH.591	JUNTA DOSIFICADOR ABRILLANTADO	RINSE AID DOSIMETER GASKET
DH.592	VALVULA SILICONA	SILICONE VALVE
DH.593	ESFERA TEFLON	TEFLON SPHERE
DH.594	RACOR LATON DOSIFICADOR ABRILL	RINSE AID SPRING
DH.595	GUIA VALVULA	VALVE GUIDE
H25211	VALVULA ABRILLANTADOR	VALVE
V....5	TUBO GOMA 10X16 20 ATM	20ATM 10X17 RUBBER PIPE
V....6	RACOR DOSIF.ABRILL.D=10mm	D=10mm DOSIMETER FITTING
V...62	ABRAZADERA 12-20	12-20 CLAMP
V..132	ELECTROVAL.1 VIA LAV.220V	WASH 1 WAY 220V SOLENOID
V..133	ELECTROVAL.2 VIA LAV.220V	WASH 2 WAYS 220V SOLENOID
V..415	TOMA LAVADORA 1,5M	QUALITY 1.5M.INLET W.FLEX
V..448	TUBO PRESOSTATO-METRO 4X6	4X6 PRE.SWITCH INLET PIPE
V..546	JUNTA GOMA 3/4	WATER INLET RUBBER GASKET
V..815	TOMA LAVADORA 2 METROS	2 MT.INLET WATER FLEXIBLE
V..825	TOMA LAVADORA 1.5 "ECO"	"ECO"1.5M INLET WA.FLEXIB
V..848	TOMA LAVADORA 1.5M INOX	INOX 1.5M INLET WATER FL.
V..849	TOMA LAV.INOX 2MT.3/4X3/4	INOX 2MT.INLET WATER FLE.
V..978	FILTRO DOSIFICADOR	DOSIMETER FILTER
WL1502	DOSIFICADOR ABRILLANTADOR	RINSE AID DOSIMETER



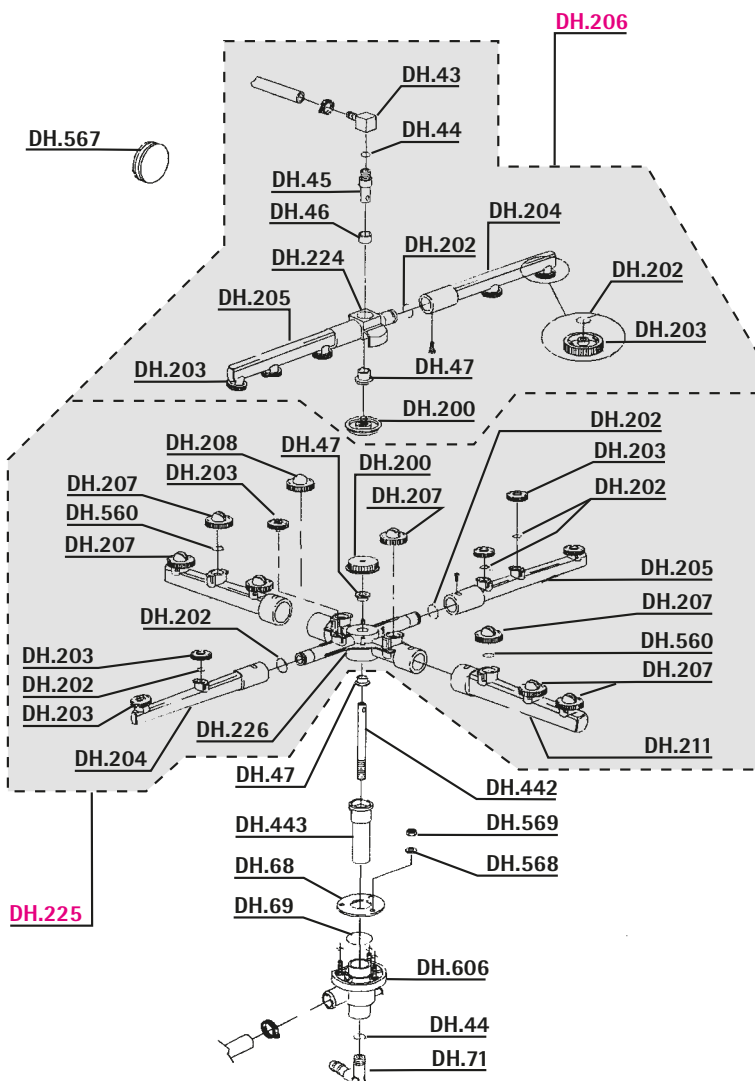
REF.	DESCRIPCIÓN	DESCRIPTION
DH...3	PRESOSTATO SAL	55/30 HORIZ.PRESS.SWITCH
DH.395	MOTOR	MOTOR
DH.550	CONDENSADOR 5MF 450V	5MF 450V CONDENSER
DH.639	RETEN MOTOR GS40	GS40 MOTOR MECHANICAL SEAL
DH.640	JUNTA MOTOR GS40	GS40 MOTOR GASKET
DH.641	TURBINA MOTOR GS40	GS40 MOTOR TURBINE
DH.642	TAPA MOTOR	MOTOR LID
H25807	ABRAZADERA 25-40	25-40 CLAMP
V...63	ABRAZADERA 20-32	20-32 CLAMP
V..206	TUBO DESAGÜE CON CODO	WITH ELBOW OUTLET PIPE
V..448	TUBO PRESOSTATO-METRO 4X6	4X6 PRE.SWITCH INLET PIPE
V..861	TUBO GOMA 12X22mm 20ATM	20ATM 12X22mm RUBBER PIPE





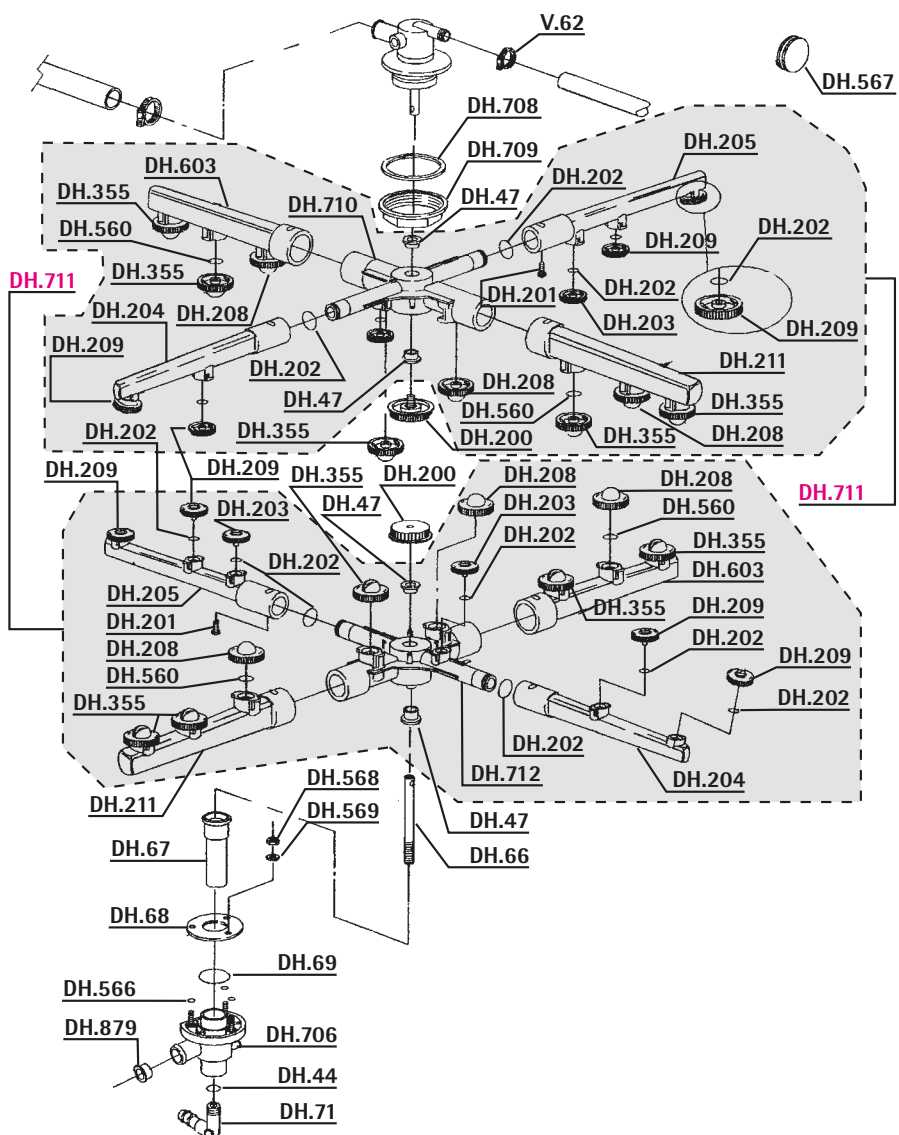
REF.	DESCRIPCIÓN	DESCRIPTION
DH.240	TORICA	RING
DH.490	TURBINA MOTOR DERBY	DERBY MOTOR TURBINE
DH.550	CONDENSADOR 5MF 450V	5MF 450V CONDENSER
DH.695	MOTOR 180W 230V 50HZ DS	MOTOR 180W 230V 50HZ DS
DH.696	TUBO BOMBA	PUMP PIPE
DH.697	TAPA MOTOR	MOTOR LID
DH.698	JUNTA TAPA MOTOR	MOTOR COVER GASKET
DH.699	RETEN MOTOR	MOTOR MECHANICAL SEAL
DH.700	BOMBA 0,33HP 230V 50HZ	0,33HP 230V 50HZ PUMP
DH.701	BOMBA 0,45 230V 50HZ	0,45HP 230V 50HZ PUMP
DH.702	TUBO BOMBA ASPIRACION	PIPE PUMP
DH.703	TAPA MOTOR	MOTOR LID
DH.704	TURBINA MOTOR	MOTOR GIRATORY
DH.705	JUNTA TAPA MOTOR	MOTOR LID GASKET
H25807	ABRAZADERA 25-40	25-40 CLAMP
V.659	CONDENSADOR 5MF	5MF CONDENSER

Lavado / Aclarado DS35 - DS37 ■ DS35 - DS37 Rinse / Wash

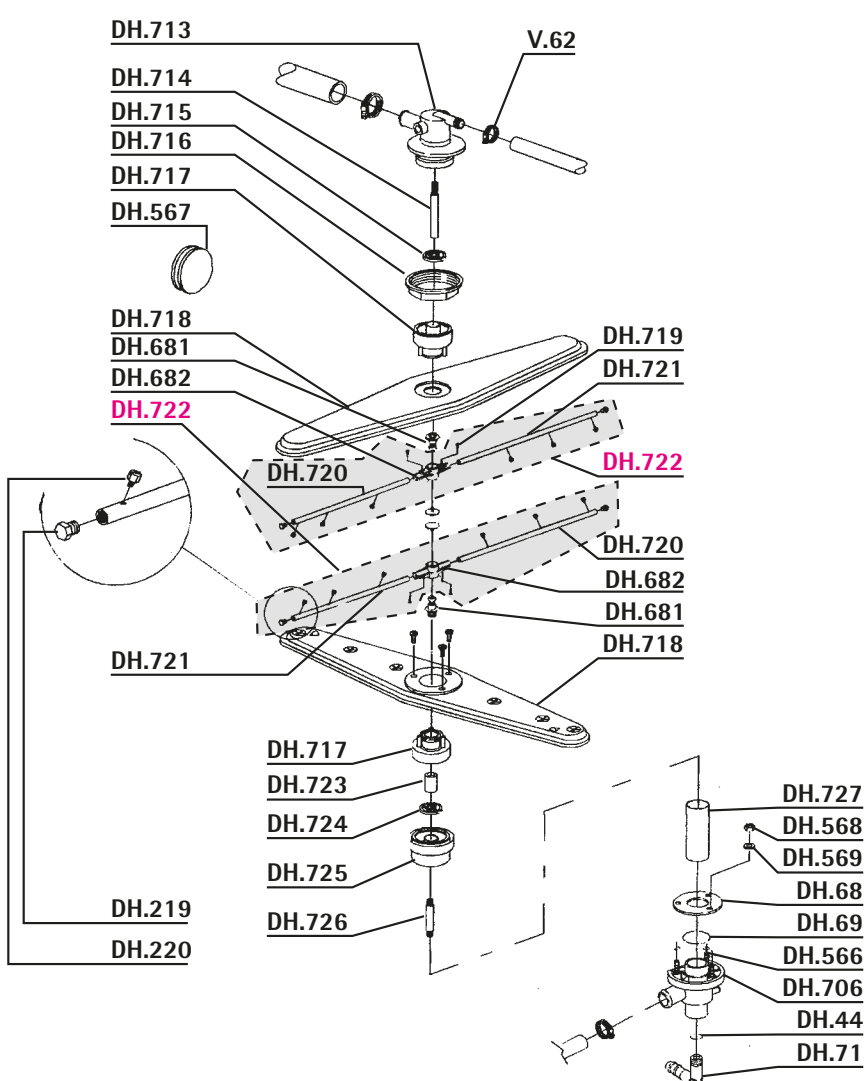


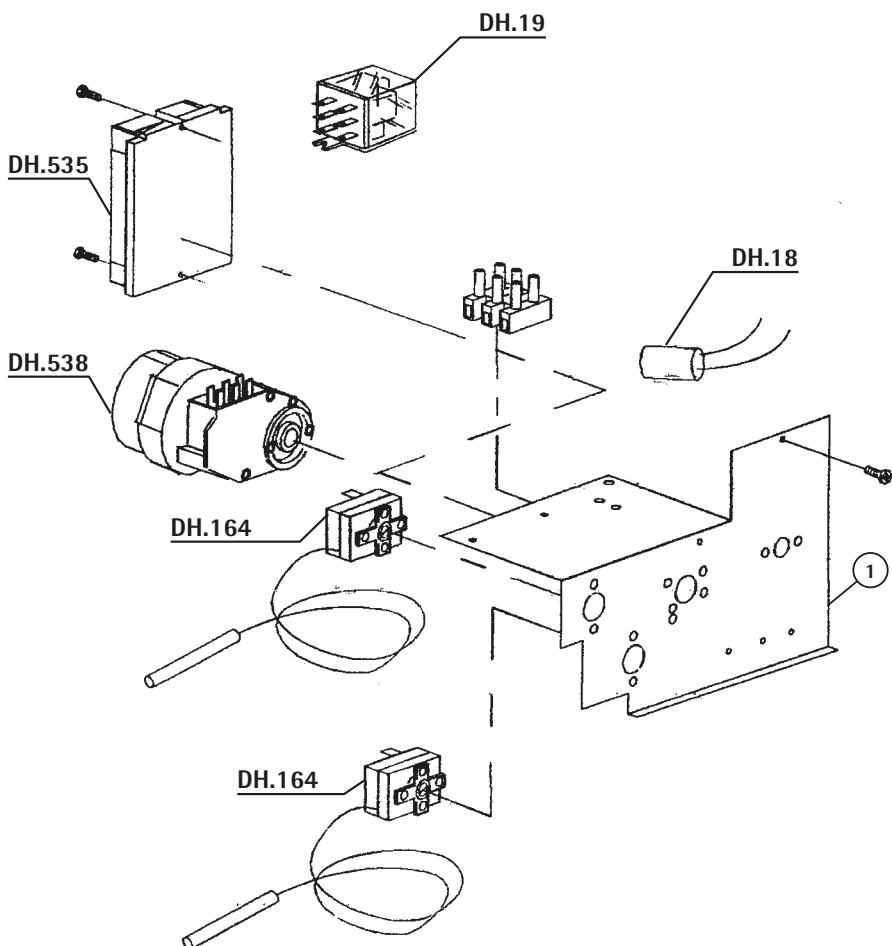
REF.	DESCRIPCIÓN	DESCRIPTION
DH.43	RACOR SUPERIOR ACLARADO	UPPER RINSING FITTING
DH.44	TORICA VITON	VITON RING
DH.45	EJE ARBOL ACLARADO	CLEAR ARM ROD
DH.46	ANILLO EJE	ROD RING
DH.47	CASQUILLO PLASTICO	CAP
DH.68	DISCO INOX	INOX DISK
DH.69	TORICA	RING
DH.71	CODO 3/8M-BOQUILLA	3/8M-HOSE STEP ELBOW
DH.200	FIJACION ACLARADO SUP.	UPPER RINSE FIRMNESS
DH.202	TORICA VITON	VITON RING
DH.203	ROCIADOR ACLARADO	RINSE SPRAY
DH.204	TUBO IZDO.ACLARADO SUP.	UPPER RINSE LEFT PIPE
DH.205	TUBO DRCH.ACLARADO SUP.	UPPER RIGHT RINSE PIPE
DH.206	ASTA ACLARADO SUPERIOR	UPPER RINSE ARM
DH.207	ROCIADOR LAVADO	WASHING SPRAY
DH.208	ROCIADOR LAVADO CIEGO	BLIND WASHING SPRAY
DH.211	TUBO LAVADO IZQUIERDO	WASHING LEFT PIPE
DH.224	UNION BRAZOS ACLARADO	RINSE ARMS UNION
DH.225	ARB.LAV/ACLARADO INF.MOD	LOWER MOD.WASH/RINSE ARM
DH.226	CENTRAL ARBOL LAV/ACL.MOD	WASH/RINSE MOD.CENTRAL
DH.442	EJE	ROD
DH.443	SOPORTE	SUPPORT
DH.560	JUNTA DIFUSOR	SPRAY GASKET
DH.567	JUNTA	GASKET
DH.568	ARANDELA M5 INOX	WASHER M5 INOX
DH.569	TUERCA M5 INOX	NUT M5 INOX
DH.606	COLECTOR INFERIOR	LOWER COLLECTOR

REF.	DESCRIPCIÓN	DESCRIPTION
DH..44	TORICA VITON	VITON RING
DH..47	CASQUILLO PLASTICO	CAP
DH..66	EJE ARBOL LAVADO/ACLARADO	WASHING/RINSE ARM ROD
DH..67	SOPORTE EJE	ROD SUPPORT
DH..68	DISCO INOX	INOX DISK
DH..69	TORICA	RING
DH..71	CODO 3/8M-BOQUILLA	3/8M-HOSE STEP ELBOW
DH.200	FIJACION ACLARADO SUP.	UPPER RINSE FIRMNESS
DH.201	TORNILLO	SCREW
DH.202	TORICA VITON	VITON RING
DH.203	ROCIADOR ACLARADO	RINSE SPRAY
DH.204	TUBO IZDO.ACLARADO SUP.	UPPER RINSE LEFT PIPE
DH.205	TUBO DRCH.ACLARADO SUP.	UPPER RIGHT RINSE PIPE
DH.208	ROCIADOR LAVADO CIEGO	BLIND WASHING SPRAY
DH.209	ROCIADOR ACLARADO CIEGO	BLIND RINSE SPRAY
DH.211	TUBO LAVADO IZQUIERDO	WASHING LEFT PIPE
DH.355	ROCIADOR LAVADO	WASHING SPRAY
DH.560	JUNTA DIFUSOR	SPRAY GASKET
DH.566	JUNTA	GASKET
DH.567	JUNTA	GASKET
DH.568	ARANDELA M5 INOX	WASHER M5 INOX
DH.569	TUERCA M5 INOX	NUT M5 INOX
DH.603	TUBO DERECHO LAVADO GS40	GS40 RIGHT WASHER PIPE
DH.706	COLECTOR INFERIOR	LOWER COLECTOR
DH.708	JUNTA COLECTOR SUPERIOR	UPPER COLECTOR GASKET
DH.709	TUERCA COLECTOR SUPERIOR	UPPER COLECTOR NUT
DH.710	CRUCETA SUPERIOR DS40	DS40 UPPER CROSS
DH.711	GIRATORIO LAVADO DS40	DS40 WASHER GIRATORI
DH.712	CRUCETA INFERIOR DS40	DS40 LOWER CROSS
DH.879	CASQUILLO	CAP
V...62	ABRAZADERA 12-20	12-20 CLAMP



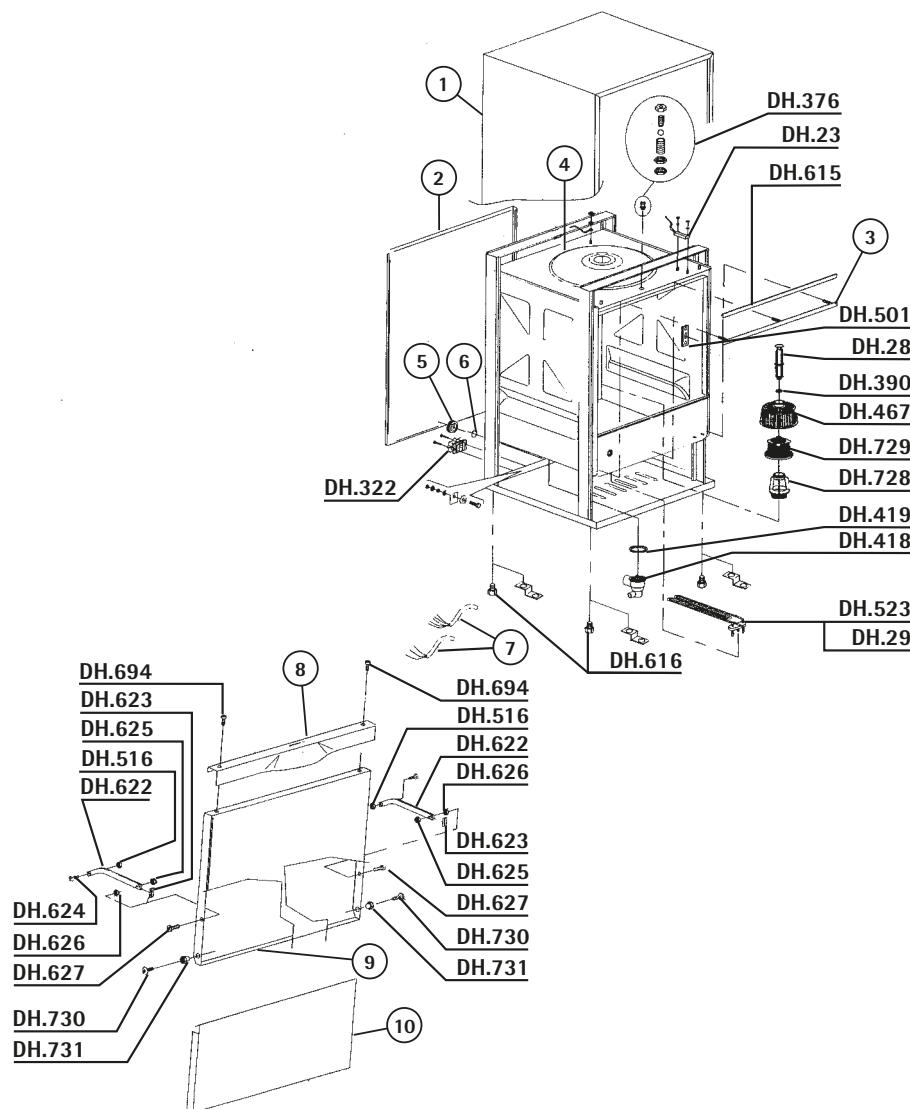
REF.	DESCRIPCIÓN	DESCRIPTION
DH..44	TORICA VITON	VITON RING
DH..68	DISCO INOX	INOX DISK
DH..69	TORICA	RING
DH..71	CODO 3/8M-BOQUILLA	3/8M-HOSE STEP ELBOW
DH.219	TAPON ARBOL ACLARADO	RINSE ARM CAP
DH.220	ROCIADOR ACLARADO	RINSE SPRAY
DH.566	JUNTA	GASKET
DH.567	JUNTA	GASKET
DH.568	ARANDELA M5 INOX	WASHER M5 INOX
DH.569	TUERCA M5 INOX	NUT M5 INOX
DH.681	SOPORTE GIRATORIO INFERIOR	LOWER GIRATORY INFERIEUR
DH.682	UNION GIRATORIO	GIRATORY UNION
DH.706	COLECTOR INFERIOR	LOWER COLECTOR
DH.713	COLECTOR SUPERIOR	UPPER COLECTOR
DH.714	EJE SUPERIOR DS40	DS40 UPPER ROD
DH.715	GUIA EJE	ROD GUIDE
DH.716	TUERCA COLECTOR SUPERIOR	UPPER COLECTOR NUT
DH.717	CASQUILLO GIRATORIO LAVADO	GIRATORI WASHER CAP
DH.718	GIRATORIO LAVADO DS40	DS40 WASHER GIRATORY
DH.719	TORNILLO UNION GIRATORIO	GIRATORY SCREW
DH.720	TUBO GIRATORIO DERECHO	RIGHT GIRATORY PIPE
DH.721	TUBO GIRATORIO IZQUIERDO	LEFT GIRATORY PIPE
DH.722	GIRATORIO COMPLETO DS40	DS40 COMPLET GIRATORY
DH.723	CASQUILLO 16x27,5	16x27,5 CAP
DH.724	GUIA TUBO	PIPE GUIDE
DH.725	SOPORTE INFERIOR	LOWER SUPPORT
DH.726	EJE INFERIOR	INOX LOWER ROD
DH.727	TUBO INFERIOR INOX	INOX LOWER PIPE
V...62	ABRAZADERA 12-20	12-20 CLAMP





REF.	DESCRIPCIÓN	DESCRIPTION
DH..18	FILTRO ANTIPARASITARIO	ANTIPARASTIC FILTER
DH..19	RELE 16A 230V	230V 16A RELAY
DH.164	TERMOSTATO 0-90°	0-90° THERMOSTAT
DH.535	TIMER ELECTRONICO 3 TIEMPOS	ELECTRONIC TIMER
DH.538	PROGRAMADOR 50HZ CON TEMOSTOP	WITH THERMOSTOP TIMER

Carrocería / Puerta / Filtro / Resistencia DS45 - DS50 ■ DS45 - DS50 Resistance / Filter / Door / Bodywork



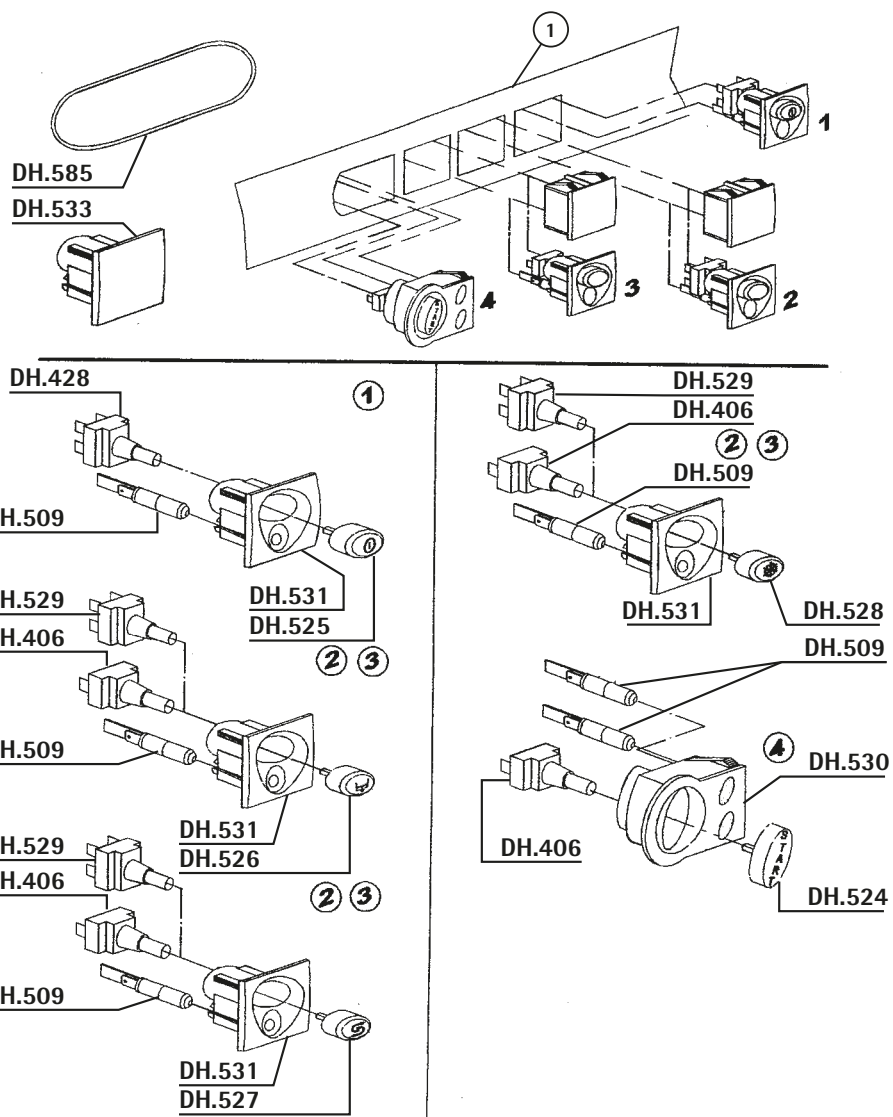
REF.	DESCRIPCIÓN	DESCRIPTION
DH..23	MICRO PUERTA	DOOR MICROSWITCH
DH..28	SOBRENIVEL GS50W	GS50W OVERFLOW
DH..29	RESIST.CUBA 2700W 230V	2700W 230V TANK RESISTANCE
DH.322	INTERRUPTOR	SWITCH
DH.376	CIERRE PUERTA	CLOSING DOOR
DH.390	COLLARIN GOMA	RUBBER GASKET
DH.418	RACOR	FITTING
DH.419	JUNTA GOMA	RUBBER GASKET
DH.467	FILTRO	FILTER
DH.501	CHAPA PUERTA	DOOR PLATE
DH.516	TUERCA M4 INOX	NUT M4 INOX
DH.523	RESISTENCIA 1850W/2020W 230/24	RESISTANCE 1850W/2020W 230/240
DH.615	JUNTA PUERTA GS45	GS45 DOOR GASKET
DH.616	PATA	FOOT
DH.622	VARILLA PUERTA	DOOR ROD
DH.623	GUIA VARILLA PUERTA	DOOR ROD GUIDE
DH.624	TORNILLO VARILLA PUERTA	DOOR ROD SCREW
DH.625	TUERCA AUTOBLOQUEO M6	M6 AUTOBLOCK NUT
DH.626	TUERCA VARILLA M6	ROD NUT
DH.627	TORNILLO VARILLA PUERTA	DOOR ROD NUT
DH.694	TORNILLO M4x14	SCREW M 4x14
DH.728	SOPORTE FILTRO	FILTER SUPPOORT
DH.729	FILTRO INTERNO	INNER FILTER
DH.730	TORNILLO INOX M 6x12	M 6x12 SCREW
DH.731	CASQUILLO PUERTA	DOOR CAP

Si no encuentra el componente que busca, llámenos, le ayudaremos.

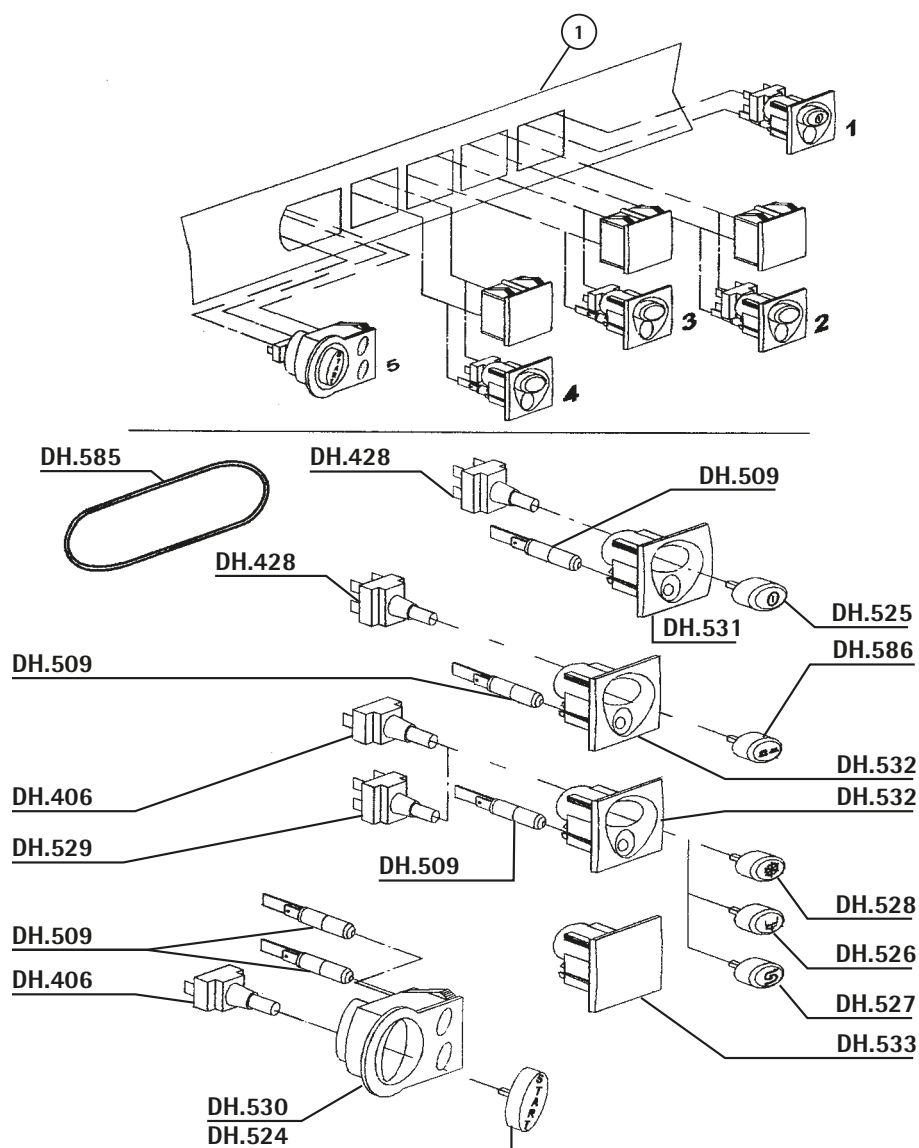


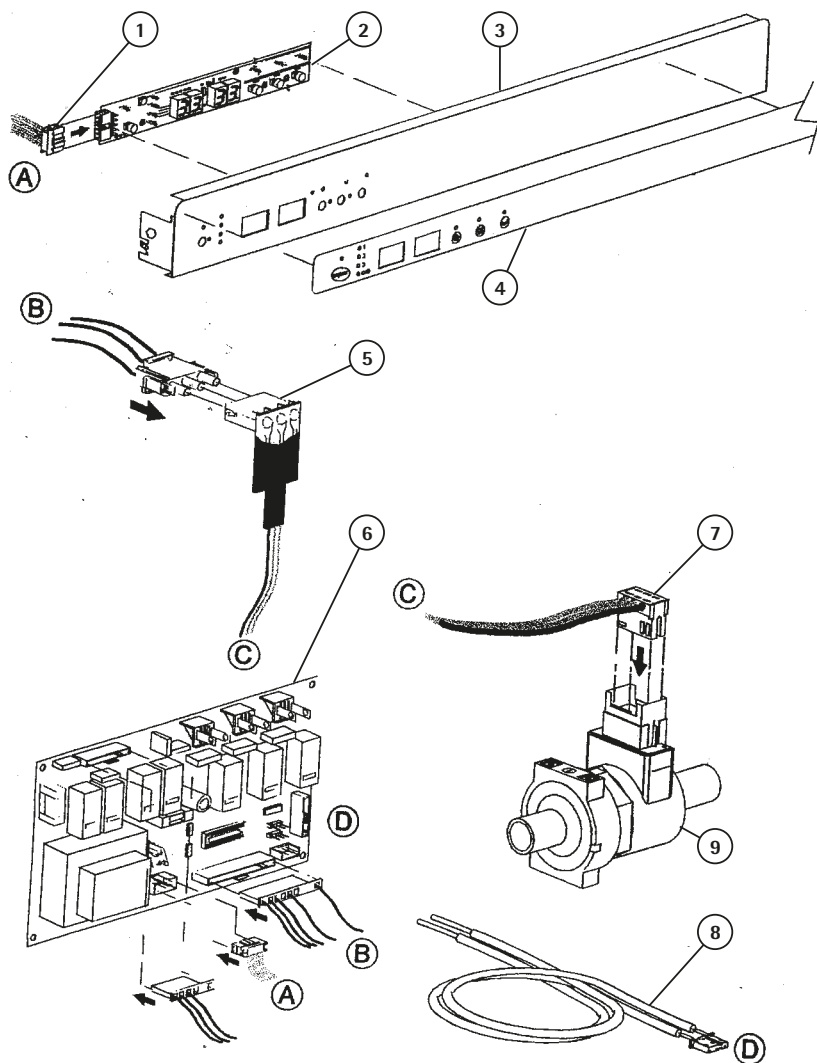
Tel: 93 377 64 11
Fax: 93 377 98 03
ascaso@ascaso.com

REF.	DESCRIPCIÓN	DESCRIPTION
DH.406	PULSADOR UNIPOLAR	UNIPOLAR PUSH-BUTTON
DH.428	INTERRUPTOR	SWITCH
DH.509	LAMPARA 220V	220V LAMP
DH.524	BOTON START	START BUTTON
DH.525	BOTON ON-OFF	ON-OFF BUTTON
DH.526	BOTON BOMBA VACIO	DRAIN PUMP BUTTON
DH.527	BOTON DEPURACION	PURIFIER BUTTON
DH.528	BOTON CALOR/FRIO	BUTTON HEAT/COLD
DH.529	PULSANTE BIPOLAR 16A	BIPOLAR PUSH-BUTTON 16A
DH.530	SOPORTE PULSADOR	PUSH-BUTTON SUPPORT
DH.531	SOPORTE INTERRUPTOR	SWITCH SUPPORT
DH.533	TAPA	COVER
DH.585	JUNTA PANEL	PANEL GASKET



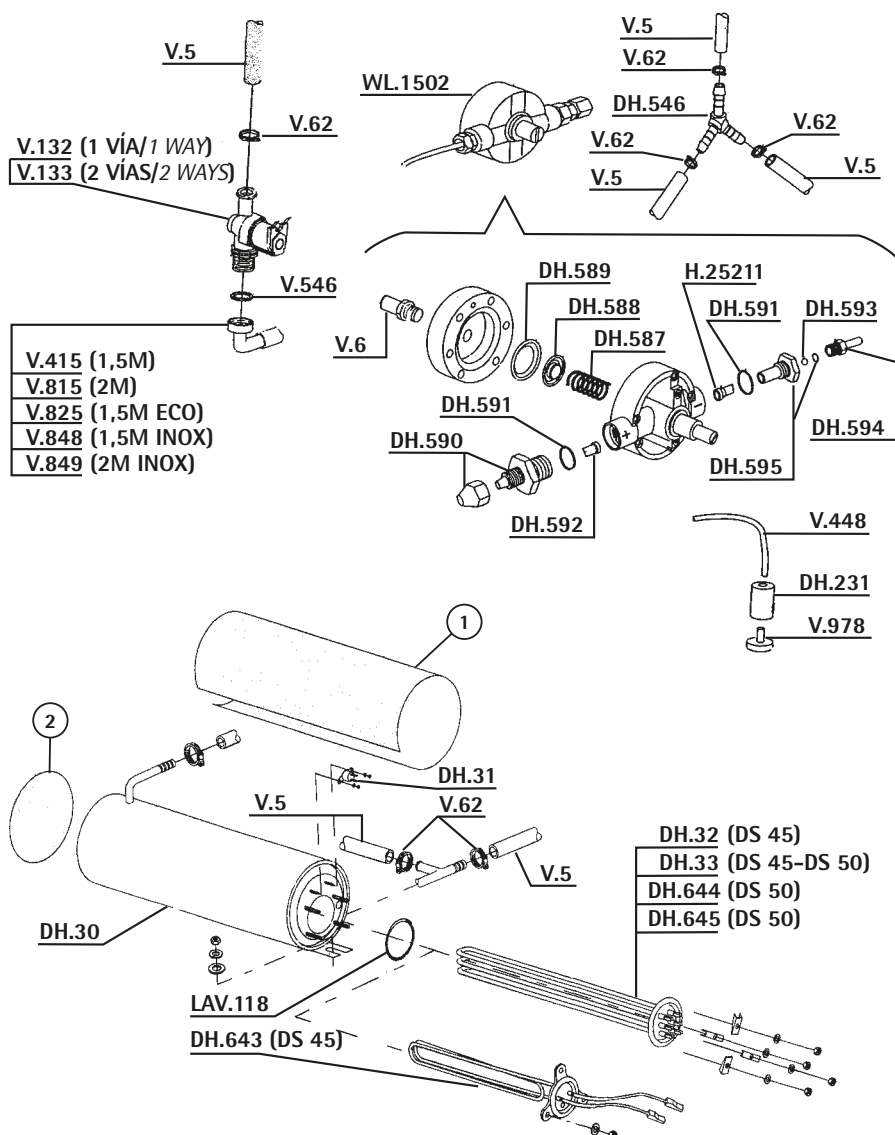
REF.	DESCRIPCIÓN	DESCRIPTION
DH.406	PULSADOR UNIPOLAR	UNIPOLAR PUSH-BUTTON
DH.428	INTERRUPTOR	SWITCH
DH.509	LAMPARA 220V	220V LAMP
DH.524	BOTON START	START BUTTON
DH.525	BOTON ON-OFF	ON-OFF BUTTON
DH.526	BOTON BOMBA VACIO	DRAIN PUMP BUTTON
DH.527	BOTON DEPURACION	PURIFIER BUTTON
DH.528	BOTON CALOR/FRIO	BUTTON HEAT/COLD
DH.529	PULSANTE BIPOLAR 16A	BIPOLAR PUSH-BUTTON 16A
DH.530	SOPORTE PULSADOR	PUSH-BUTTON SUPPORT
DH.531	SOPORTE INTERRUPTOR	SWITCH SUPPORT
DH.532	SOPORTE INTERRUPTOR	SWITCH SUPPORT
DH.533	TAPA	COVER
DH.585	JUNTA PANEL	PANEL GASKET
DH.586	BOTON SELECTOR TIEMPO	SELECTOR TIME BUTTON





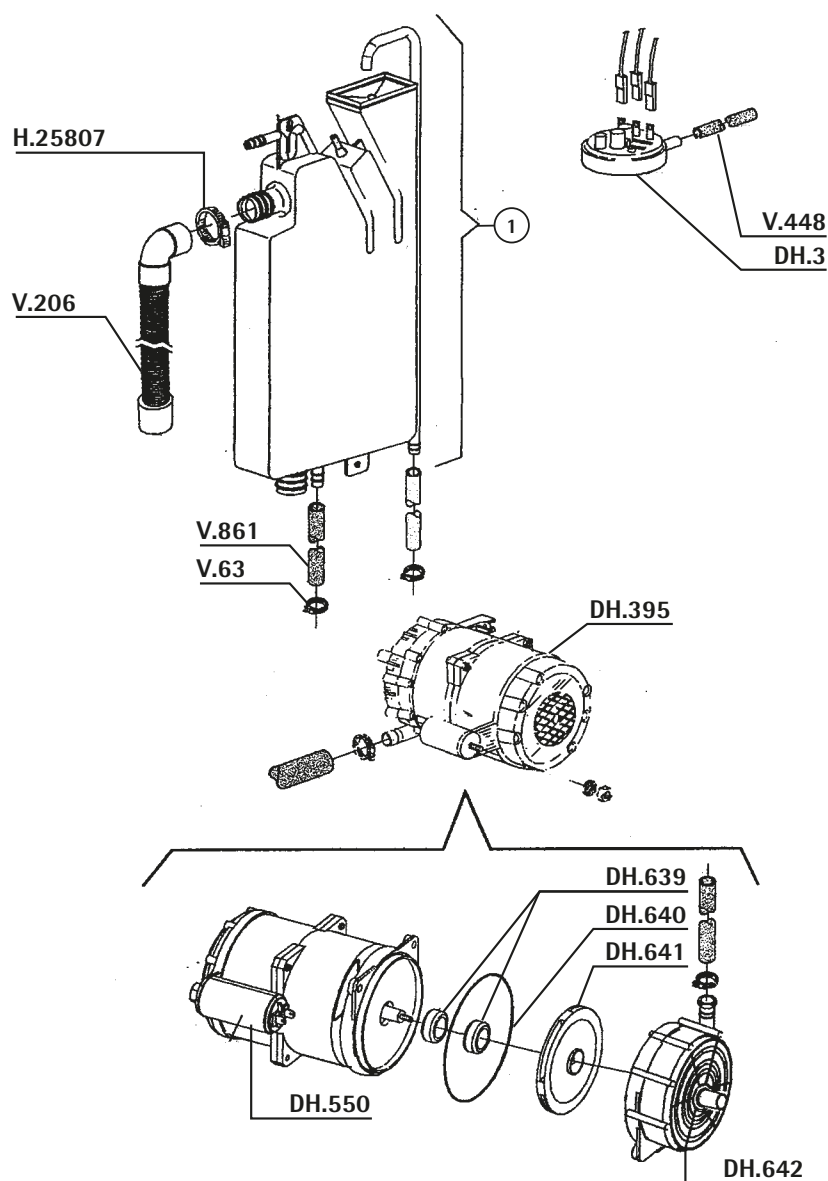
REF.	DESCRIPCIÓN	DESCRIPTION
------	-------------	-------------

Calderín / Dosificador abrillantador DS45 - DS50 ■ DS45 - DS50 Rinse aid /Boiler

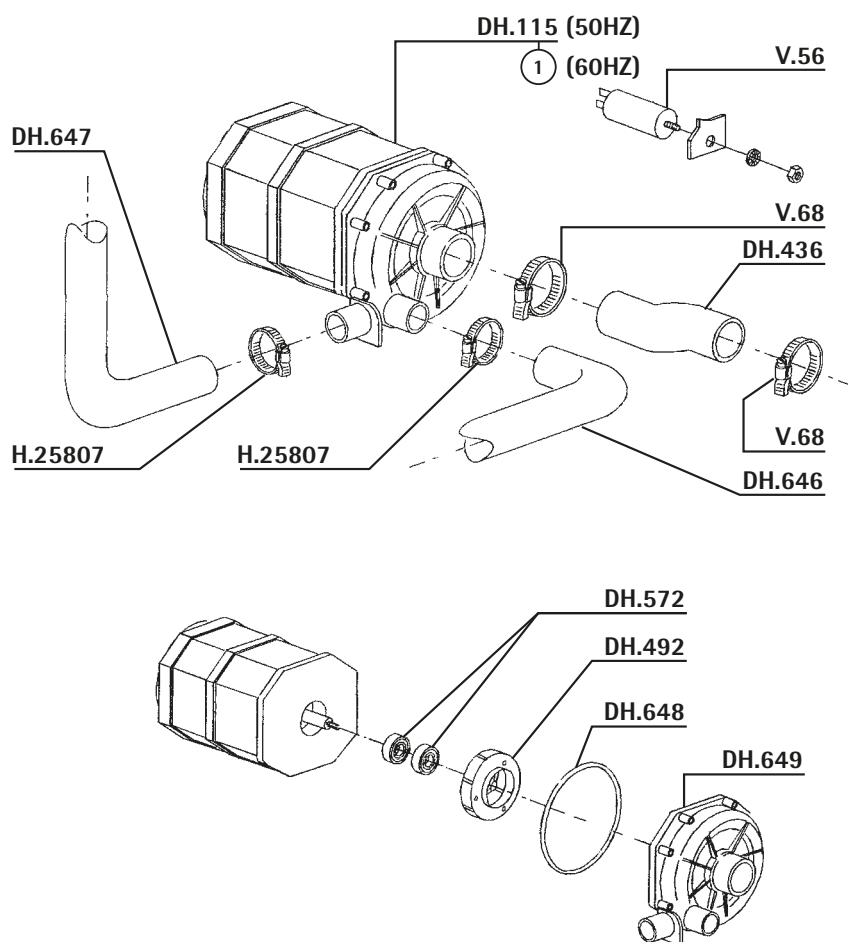


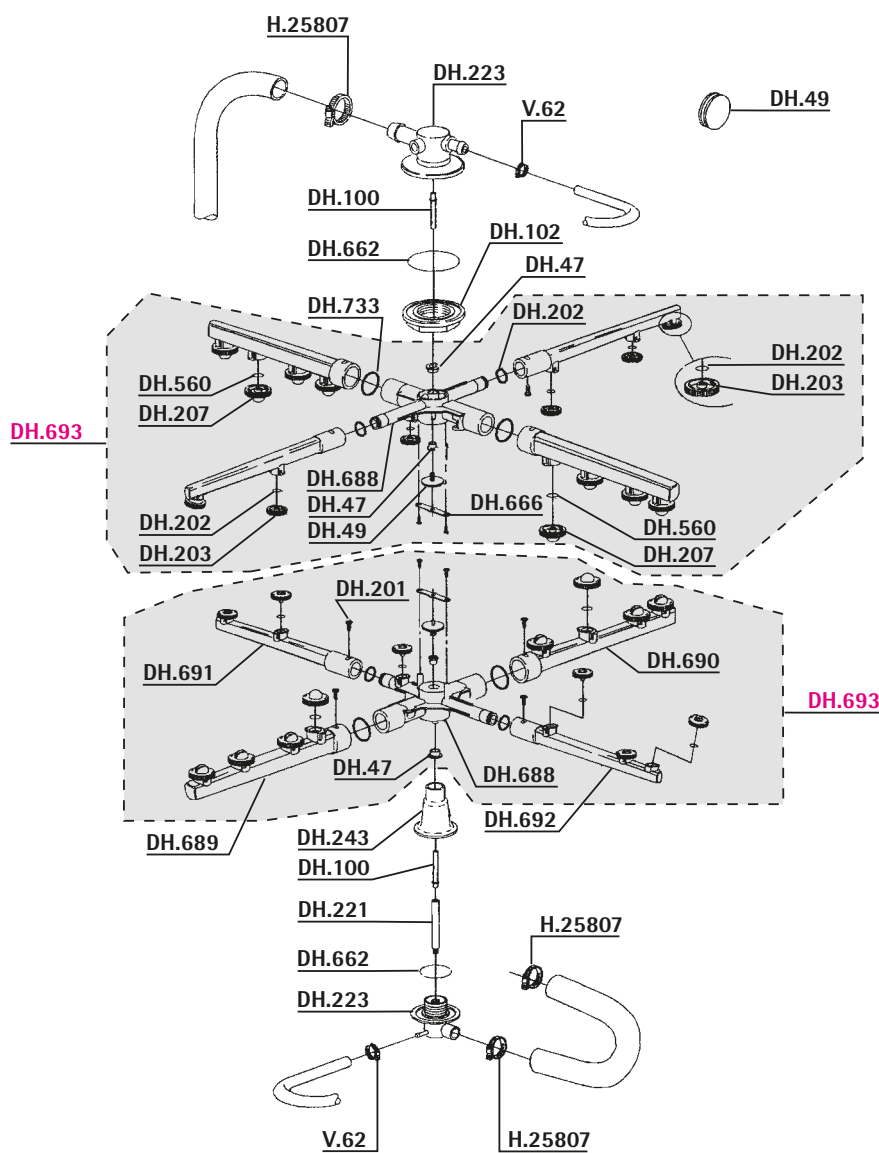
REF.	DESCRIPCIÓN	DESCRIPTION
DH..30	CALDERIN	BOILER
DH..31	TERMOSTATO SEGURIDAD 110° C	110° C SAFETY THERMOSTAT
DH..32	RESIST.CALDERIN 3000W 230V	3000W 230V BOILER RESISTANCE
DH..33	RESIST.CALDERIN 4500W/220V	4500W BOILER RESISTANCE
DH.231	PESO FILTRO	FILTER FITTING
DH.546	RACOR 10MM	RACCORD 10MM
DH.587	MUELLE DOSIFICADOR ABRILLANTAD	RINSE AID SPRING
DH.588	DISCO MEMBRANA	MEMBRANE DISK
DH.589	MEMBRANA SILICONA	SILICONE MEMBRANE
DH.590	RACOR ASPIRACION	SUCTION FITTING
DH.591	JUNTA DOSIFICADOR ABRILLANTADO	RINSE AID DOSIMETER GASKET
DH.592	VALVULA SILICONA	SILICONE VALVE
DH.593	ESFERA TEFLON	TEFLON SPHERE
DH.594	RACOR LATON DOSIFICADOR ABRILL	RINSE AID SPRING
DH.595	GUIA VALVULA	VALVE GUIDE
DH.643	RESISTENCIA 2,8/3,05KW 230/240V	RESISTANCE 2,8/3,05KW 230/240V
DH.644	RESISTENCIA 6/6,53KW 230/240V	RESISTANCE 6/6 53Kw 230/240V
DH.645	RESISTENCIA 4,5KW 254/440V	RESISTANCE 4,5KW 254/440V
H25211	VALVULA ABRILLANTADOR	VALVE
LAV118	TORICA GOMA	RING
V...5	TUBO GOMA 10X16 20 ATM	20ATM 10X17 RUBBER PIPE
V...6	RACOR DOSIF.ABRILL.D=10mm	D=10mm DOSIMETER FITTING
V..62	ABRAZADERA 12-20	12-20 CLAMP
V..132	ELECTROVAL.1 VIA LAV.220V	WASH 1 WAY 220V SOLENOID
V..133	ELECTROVAL.2 VIA LAV.220V	WASH 2 WAYS 220V SOLENOID
V..415	TOMA LAVADORA 1,5M	QUALITY 1.5M.INLET W.FLEX
V..448	TUBO PRESOSTATO-METRO 4X6	4X6 PRE.SWITCH INLET PIPE
V..546	JUNTA GOMA 3/4	WATER INLET RUBBER GASKET
V..815	TOMA LAVADORA 2 METROS	2 MT.INLET WATER FLEXIBLE
V..825	TOMA LAVADORA 1.5 "ECO"	"ECO"1.5M INLET WA.FLEXIBL
V..848	TOMA LAVADORA 1.5M INOX	INOX 1.5M INLET WATER FL.
V..849	TOMA LAV.INOX 2MT.3/4X3/4	INOX 2MT.INLET WATER FLE.
V..978	FILTRO DOSIFICADOR	DOSIMETER FILTER
WL1502	DOSIFICADOR ABRILLANTADOR	RINSE AID DOSIMETER

REF.	DESCRIPCIÓN	DESCRIPTION
DH...3	PRESOSTATO SAL	55/30 HORIZ.PRESS.SWITCH
DH.395	MOTOR	MOTOR
DH.550	CONDENSADOR 5MF 450V	5MF 450V CONDENSER
DH.639	RETEN MOTOR GS40	GS40 MOTOR MECHANICAL SEAL
DH.640	JUNTA MOTOR GS40	GS40 MOTOR GASKET
DH.641	TURBINA MOTOR GS40	GS40 MOTOR TURBINE
DH.642	TAPA MOTOR	MOTOR LID
H25807	ABRAZADERA 25-40	25-40 CLAMP
V...63	ABRAZADERA 20-32	20-32 CLAMP
V.206	TUBO DESAGÜE CON CODO	WITH ELBOW OUTLET PIPE
V..448	TUBO PRESOSTATO-METRO 4X6	4X6 PRE.SWITCH INLET PIPE
V..861	TUBO GOMA 12X22mm 20ATM	20ATM 12X22mm RUBBER PIPE



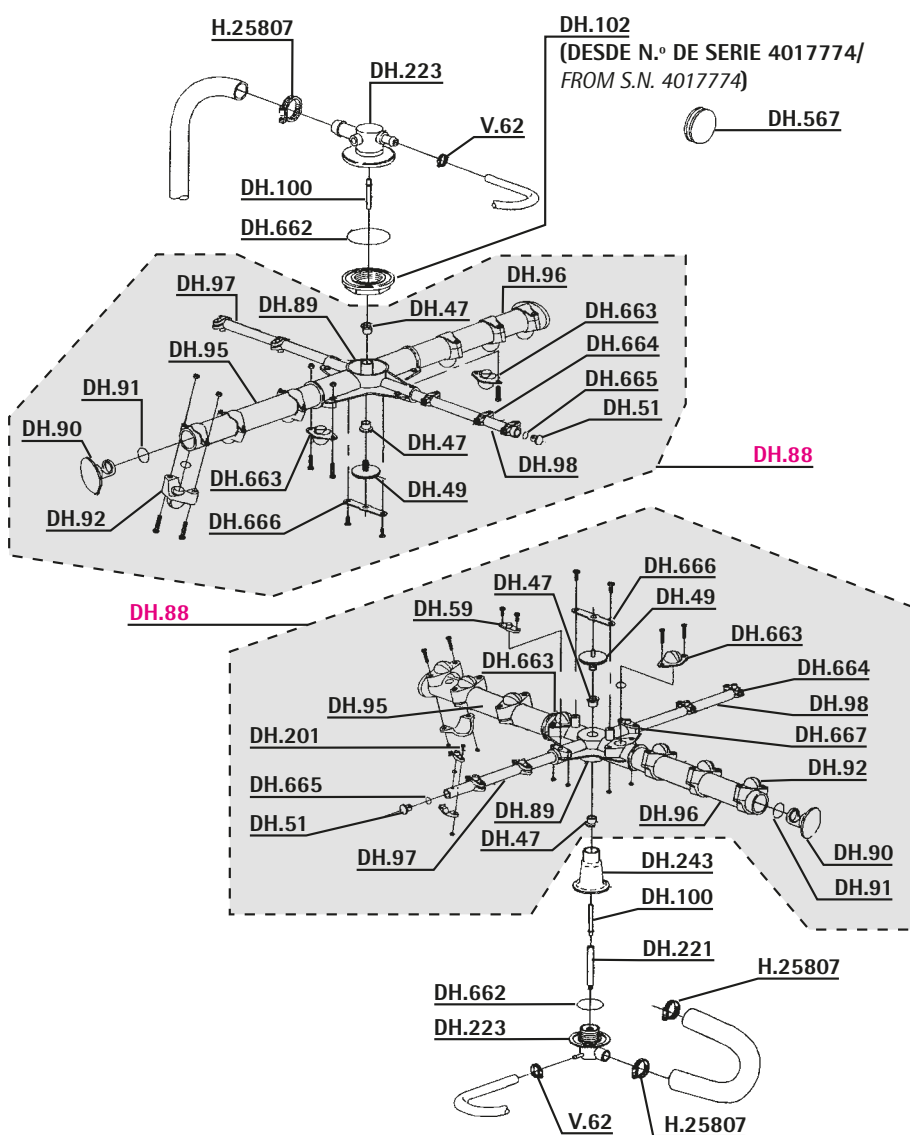
REF.	DESCRIPCIÓN	DESCRIPTION
DH.115	MOTOR 0,7 HP GS 50W	0.7 HP GS 50W MOTOR
DH.436	MANGUITO	SLEEVE
DH.492	TURBINA MOTOR DH.115/474	DH.115/474 MOTOR TURBINE
DH.572	RETEN	MECHANICAL SEAL
DH.646	MANGUITO ACODADO ASPIRACION	SUCTION SLEEVE ELBOWED
DH.647	MANGUITO ACODADO INFERIOR	LOWER ELBOWED SLEEVE
DH.648	JUNTA TAPA MOTOR	MOTOR LID GASKET
DH.649	TAPA MOTOR GS45	GS45 MOTOR LID
H25807	ABRAZADERA 25-40	25-40 CLAMP
V...56	CONDENSADOR 12,5 MF 220V	12,5MF 220V CONDENSER
V...68	ABRAZADERA 32-50	35-50 CLAMP





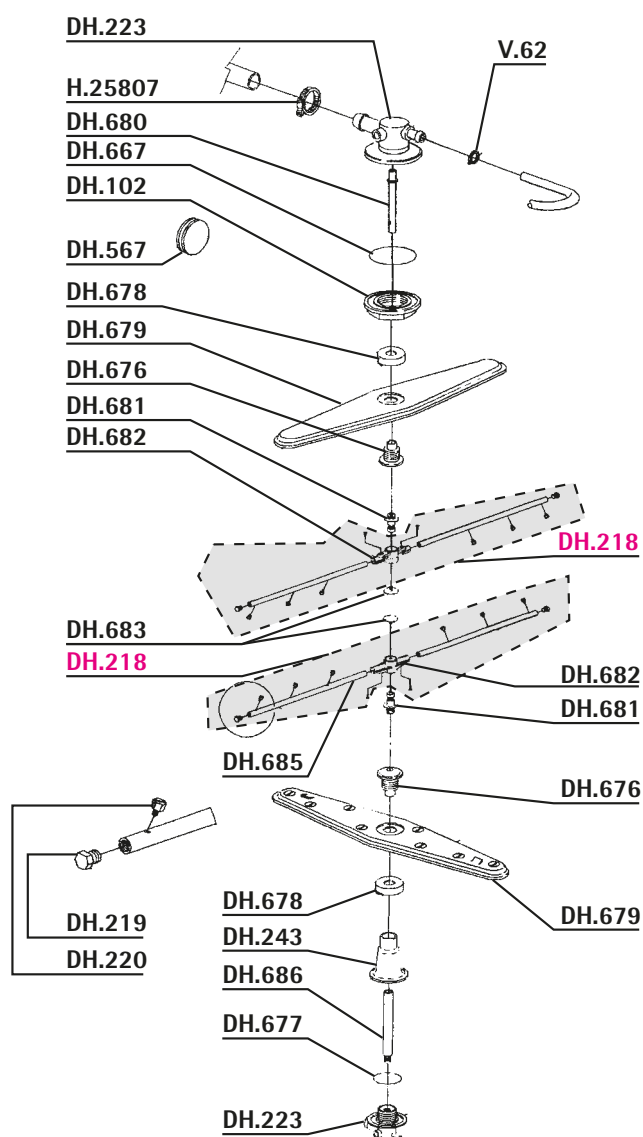
REF.	DESCRIPCIÓN	DESCRIPTION
DH..47	CASQUILLO PLASTICO	CAP
DH..49	FIJACION ARBOL LAV./ACL	WASH/RINSE TREE FIRMNESS
DH.100	EJE ACLARADO SUP./INF.	UPPER LOWER CLEAR ROD
DH.102	FIJACION RACORD SUPERIOR	UPPER FITTING FIRMNESS
DH.201	TORNILLO	SCREW
DH.202	TORICA VITON	VITON RING
DH.203	ROCIADOR ACLARADO	RINSE SPRAY
DH.207	ROCIADOR LAVADO	WASHING SPRAY
DH.221	EJE	ROD
DH.223	COLECTOR	COLLECTOR
DH.243	DISTANCIAL	DISTANCER
DH.560	JUNTA DIFUSOR	SPRAY GASKET
DH.662	JUNTA COLECTOR INFERIOR	LOWER COLECTOR GASKET
DH.666	PLACA GIRATORIO	GIRATORY PLATE
DH.667	ROCIADOR PLANO	PLANE SPRAY
DH.688	CRUZ GIRATORIO	GIRATORY CROSS
DH.689	BRAZO GIRATORIO IZQUIERDO	LEFT GIRATORY ARM
DH.690	BRAZO GIRATORIO DERECHO	RIGHT GIRATORI ARM
DH.691	TUBO ACLARADO IZQUIERDO	LEFT RINSE PIPE
DH.692	TUBO ACLARADO DERECHO	RIGHT RINSE PIPE
DH.693	BRAZO LAVADO/ACLARADO COMPLETO	GS50-GS85 COMPLET ARM RINSE/WA
DH.733	JUNTA BRAZO ASTA	ARM GASKET
H25807	ABRAZADERA 25-40	25-40 CLAMP
V..62	ABRAZADERA 12-20	12-20 CLAMP

Lavado / Aclarado DS50 (1) ■ DS50 Rinse / Wash (1)

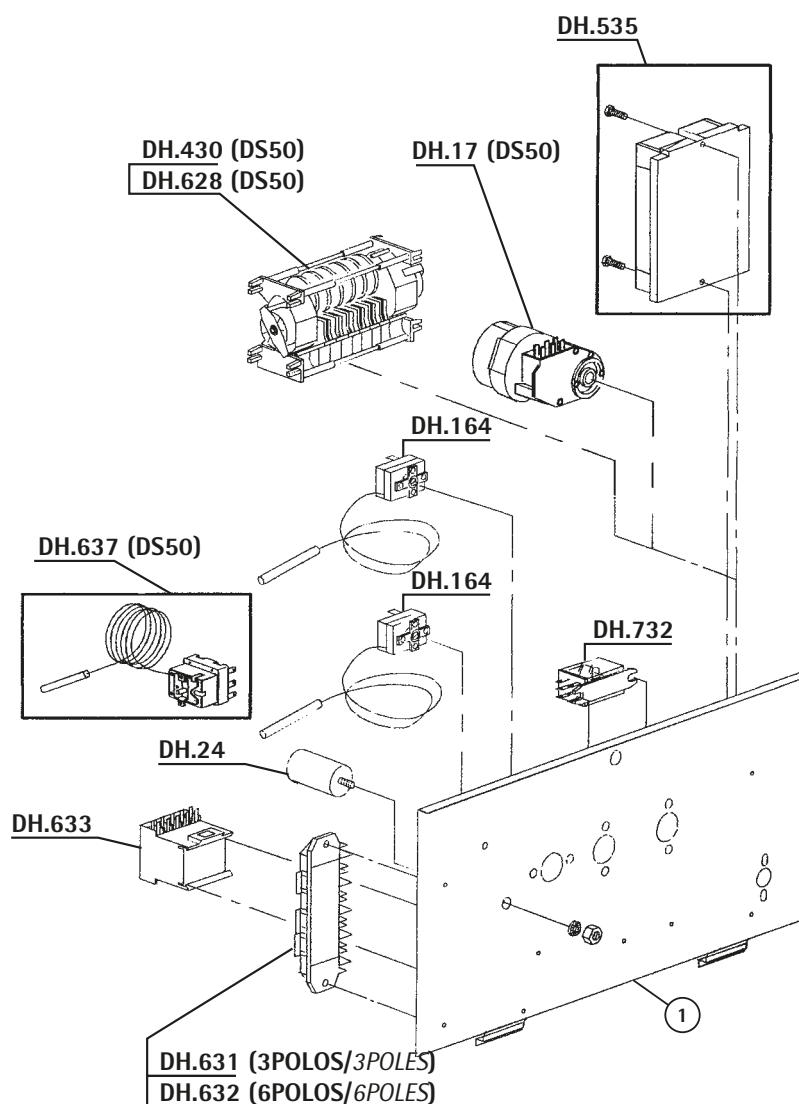


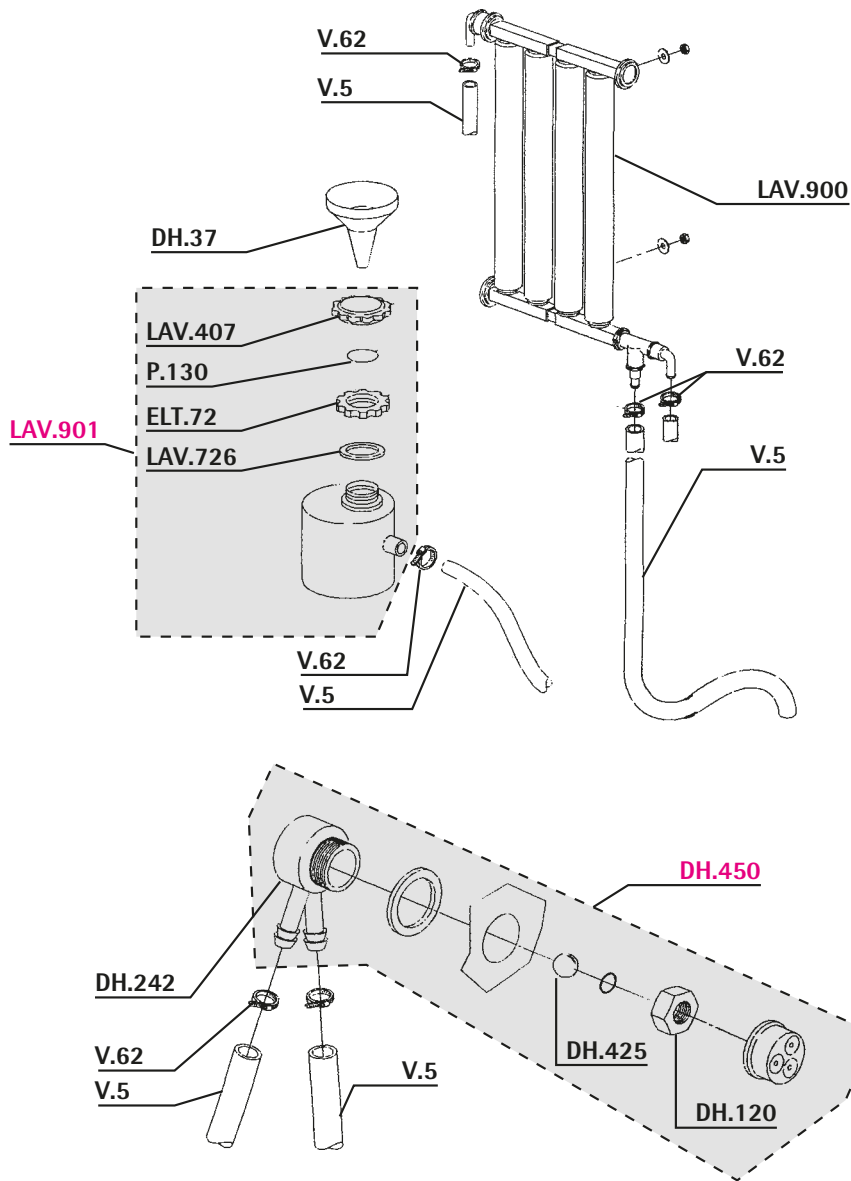
REF.	DESCRIPCIÓN	DESCRIPTION
DH..47	CASQUILLO PLASTICO	CAP
DH..49	FIJACION ARBOL LAV./ACL	WASH/RINSE TREE FIRMNESS
DH..51	TAPON TUBO ACLARADO	RINSE PIPE CAP
DH..59	ROCIADOR ACLARADO PLANO	FLAT RINSE SPRAY
DH..88	ARBOL LAVADO ACLARADO	WASH/RINSE TREE
DH..89	CENTRAL ARBOL LAV./ACLA.	WASH/RINSE ROTOR
DH..90	TAPON TUBO LAVADO	WASH PIPE CAP
DH..91	TORICA	RING
DH..92	ROCIADOR LAVADO GRANDE	WASHING SPRAY
DH..95	TUBO LAVADO IZQUIERDO	LEFT WASHING PIPE
DH..96	TUBO LAVADO DERECHO	RIGHT WASHING PIPE
DH..97	TUBO ACLARADO DERECHO	TUBE RINSE PIPE
DH..98	TUBO ACLARADO IZQUIERDO	LEFT RINSE PIPE
DH.100	EJE ACLARADO SUP./INF.	UPPER LOWER CLEAR ROD
DH.102	FIJACION RACORD SUPERIOR	UPPER FITTING FIRMNESS
DH.201	TORNILLO	SCREW
DH.221	EJE	ROD
DH.223	COLECTOR	COLLECTOR
DH.243	DISTANCIAL	DISTANCER
DH.567	JUNTA	GASKET
DH.662	JUNTA COLECTOR INFERIOR	LOWER COLECTOR GASKET
DH.663	ROCIADOR ACLARADO	RINSE SPRAY
DH.664	ROCIADOR COMPLETO	COMPLET SPRAY
DH.665	JUNTA LATERAL	LATERAL GASKET
DH.666	PLACA GIRATORIO	GIRATORY PLATE
DH.667	ROCIADOR PLANO	PLANE SPRAY
H25807	ABRAZADERA 25-40	25-40 CLAMP
V..62	ABRAZADERA 12-20	12-20 CLAMP

REF.	DESCRIPCIÓN	DESCRIPTION
DH.102	FIJACION RACORD SUPERIOR	UPPER FITTING FIRMNESS
DH.218	ARBOL ACLARADO	RINSE ARM
DH.219	TAPON ARBOL ACLARADO	RINSE ARM CAP
DH.220	ROCIADOR ACLARADO	RINSE SPRAY
DH.223	COLECTOR	COLLECTOR
DH.243	DISTANCIAL	DISTANCER
DH.567	JUNTA	GASKET
DH.667	ROCIADOR PLANO	PLANE SPRAY
DH.676	TUERCA GIRATORIO INOX	INOX GIRATORY NUT
DH.677	JUNTA COLECTOR INFERIOR	LOWER COLECTOR GASKET
DH.678	TUERCA GIRATORIO INOX SUPERIOR	UPPER INOX GIRATORY NUT
DH.679	GIRATORIO LAVADO GS45	GS45 WASHER GIRATORY
DH.680	EJE SUPERIOR	UPPER ROD
DH.681	SOPORTE GIRATORIO INFERIOR	LOWER GIRATORY INFERIEUR
DH.682	UNION GIRATORIO	GIRATORY UNION
DH.683	TORNILLO GIRATORIO	GIRATORY SCREW
DH.685	BRAZO GIRATORIO IZQUIERDO INOX	INOX LEFT GIRATORY ARM
DH.686	EJE INFERIOR	LOWER ROD
H25807	ABRAZADERA 25-40	25-40 CLAMP
V...62	ABRAZADERA 12-20	12-20 CLAMP



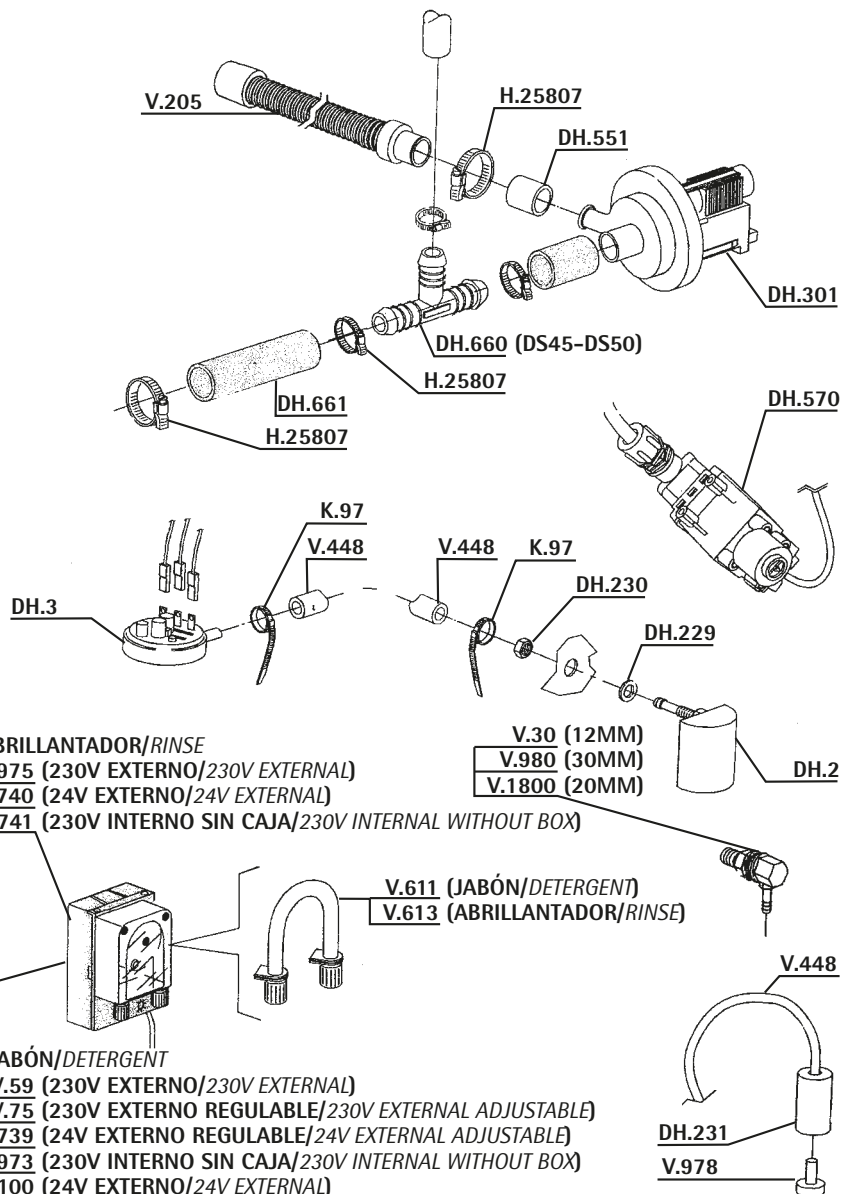
REF.	DESCRIPCIÓN	DESCRIPTION
DH..17	TEMPORIZADOR 2MICROS 150V¥	2TOOTH 150" TIMER
DH..24	FILTRO ANTIPARASITARIO	ANTIPARASTIC FILTER
DH.164	TERMOSTATO 0-90°	0-90° THERMOSTAT
DH.430	PROGRAMADOR 120-180" 230V 50HZ	TIMER
DH.535	TIMER ELECTRONICO 3 TIEMPOS	ELECTRINIC TIMER
DH.628	TIMER 120"/180" TERMOSTOP-BOMB	TIMER 120"/180" THERMOSTOP-DRA
DH.631	REGLETA 3 POLOS	CONNECTOR
DH.632	REGLETA 6 POLOS	CONNECTOR
DH.633	CONTACTOR 230V 50/60HZ 4C	CONTACTOR 230V 50/60HZ 4C
DH.637	TERMOSTATO DE SEGURIDAD 110° C	SAFETY THERMOSTAT 110° C
DH.732	RELE BIPOLAR 16A	16A TWOPOLES RELAY





REF.	DESCRIPCIÓN	DESCRIPTION
DH...37	EMBUDO	FUNNEL
DH.120	TUERCA	NUT
DH.242	RACOR	FITTING
DH.425	ESFERA TEFLON	TEFLON SPHERE
DH.450	REDUCTOR	REDUCER
ELT.72	RACOR DEPOSITO SAL	FITTING SALT CONTAINER
LAV407	TAPON DEPOSITO SAL	SALT TANK CAP
LAV726	JUNTA GOMA BOTELLA SAL	BOTTLE SALT RUBBER GASKET
LAV900	DEPURADOR LAVATAZAS	WASHING CUP PURIFIER
LAV901	DEPOSITO SAL COMPLETO	SALT CONTAINER
P.130	TORICA EPDM	RING
V...5	TUBO GOMA 10X16 20 ATM	20ATM 10X17 RUBBER PIPE
V...62	ABRAZADERA 12-20	12-20 CLAMP

Componentes eléctricos DS35 - DS37 - DS40 - DS45 - DS50 ■ DS35 - DS37 - DS40 - DS45 - DS50 Electric components



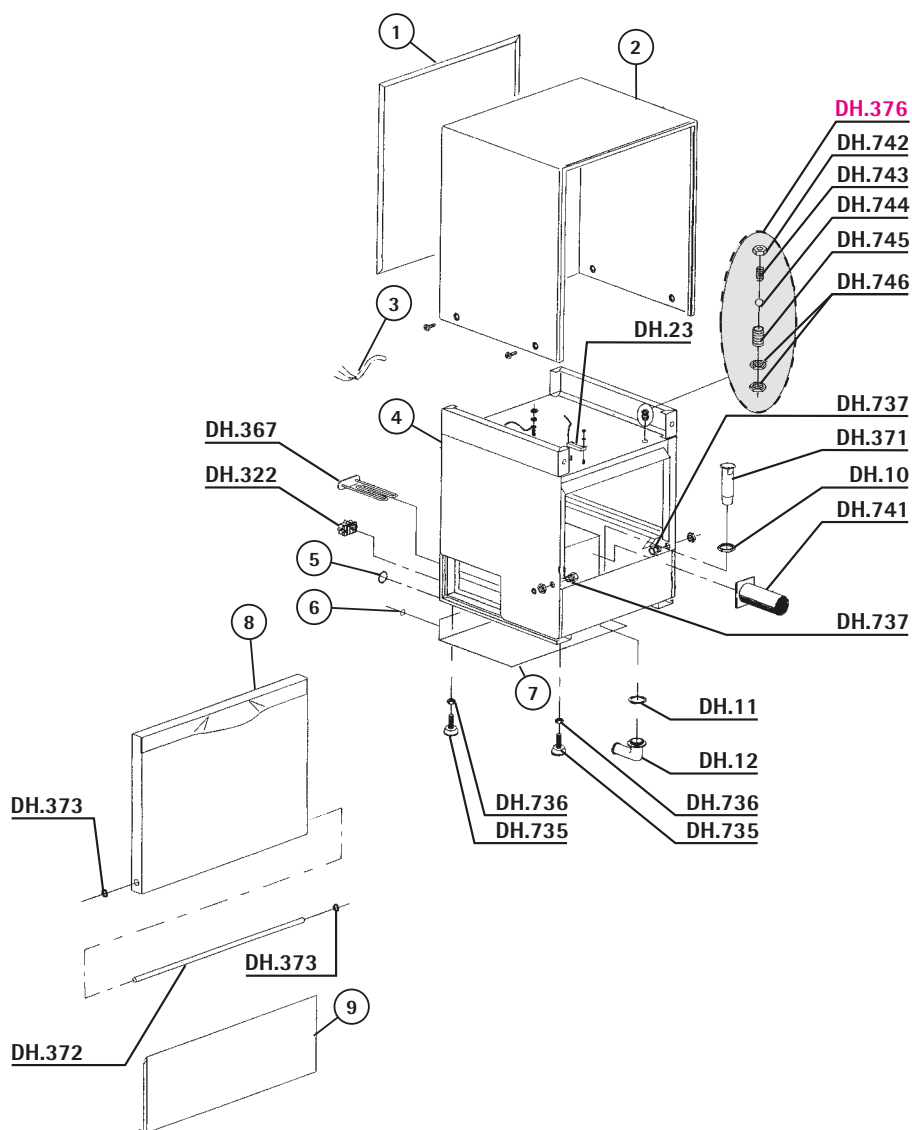
REF.	DESCRIPCIÓN	DESCRIPTION
DH...2	CAMARA PRESOSTATICA	PRESSURE SWITCH CHAMBER
DH...3	PRESOSTATO SAL	55/30 HORIZ.PRESS.SWITCH
DH.229	JUNTA ALIMENTARIA	ALIMENTARY GASKET
DH.230	TUERCA INOX	NUT
DH.231	PESO FILTRO	FILTER FITTING
DH.301	BOMBA DESAGÜE	OUTLET PUMP
DH.551	MANGUITO	SLEEVE
DH.570	DOSIFICADOR ABRILLANTADOR	RISE AND DOSSIMETER
DH.660	T. EMPALME	T. UNION
DH.661	TUBO	PIPE
H25807	ABRAZADERA 25-40	25-40 CLAMP
K...97	BRIDA NYLON	5X24mm NYLON CLASP
V...30	RACOR ENTRADA JABON	INLET SOAP FITTING
V...59	DOSIFICADOR PERISTALTICO	DOSIMETER
V...75	DOSIF.PERISTALTICO REGULA	ADJUSTABLE DOSIMETER
V..205	DESAGÜE EXTENSIB.2mt.22x28mm	2mt EXTENSIBLE OUT PIPE
V..448	TUBO PRESOSTATO-METRO 4X6	4X6 PRE.SWITCH INLET PIPE
V..611	TUBO INTERIOR DOS.PER. JABON	INLET PIPE
V..613	TUBO INTERIOR DOS.PER.ABRILLAN	RINS.AID INSIDE PIPE
V..973	DOSIFICADOR PERISTALTICO INTER	INTERNAL PERISTALTIC DOS.
V..975	DOSIFICADOR ABRILLANTADOR EXT.	EXTERNAL RINSE DOSIMETER
V..978	FILTRO DOSIFICADOR	DOSIMETER FILTER
V..980	RACOR ENTRADA JABON LARGO	LONG INLET FITTING
V.1739	DOSIF.PERISTAL.REGULABLE 24Vac	24Vac ADJUSTABLE DOSIMETER
V.1740	DOSIF.ABRILLAN.EXTERNO 24Vac	24Vac EXTERNAL RINSE DOSIMETER
V.1741	DOSIF.ABRILLAN.INTERNO 230V AC	230Vac INTERNAL RINSE DOSIMET
V.1800	RACOR ENTRADA JABON METALICO	METALIC DETER.INLET FITTING
V.2100	DOSIFICADOR PERISTAL.JABON 24V	24V SOAP DOSIMETER

If you cannot find the component you are looking for, do contact us. We will help you.



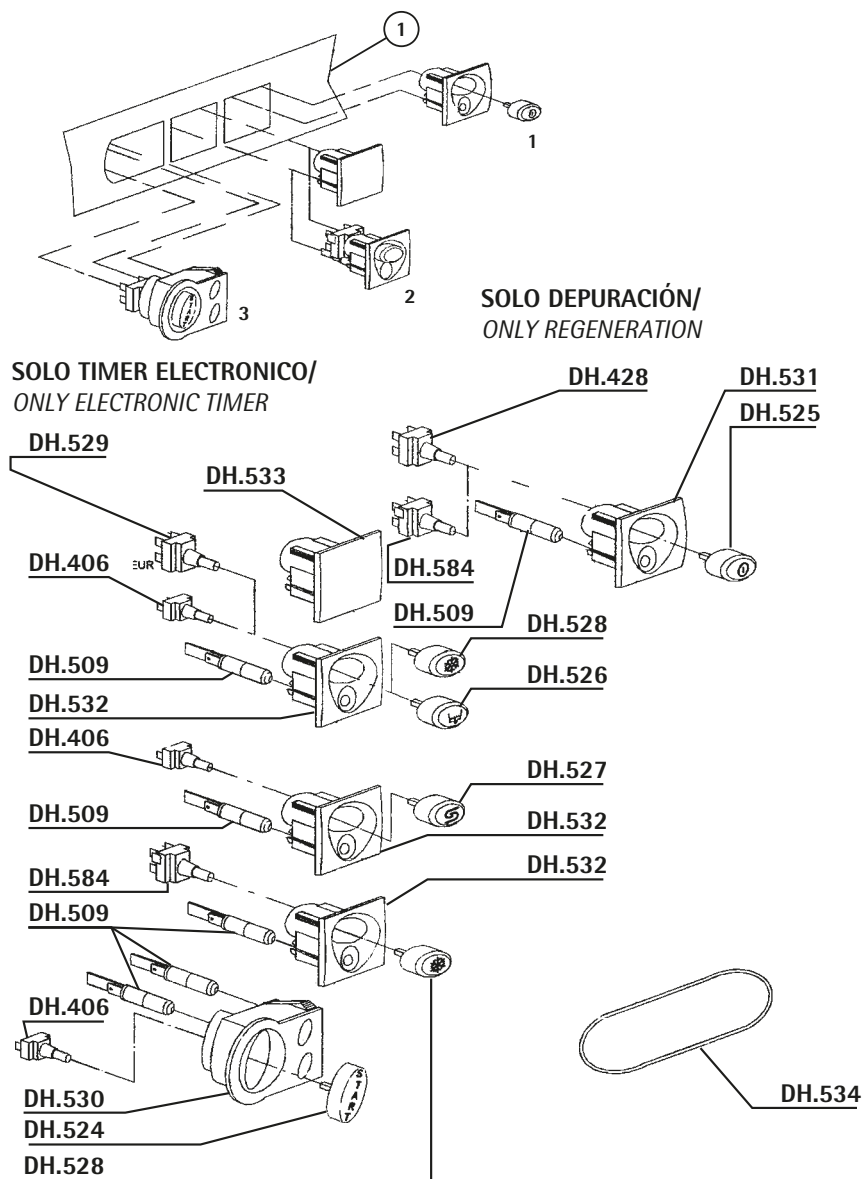
Tel: 93 377 64 11
 Fax: 93 377 98 03
 ascaso@ascaso.com

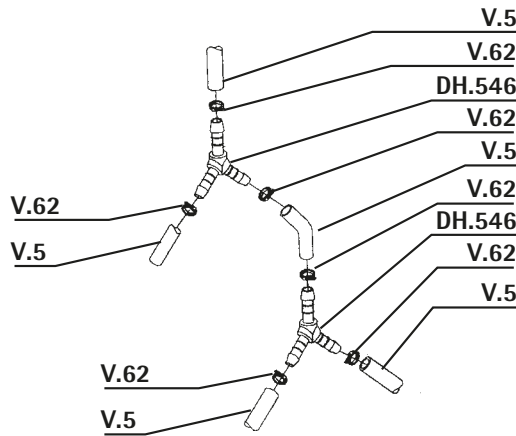
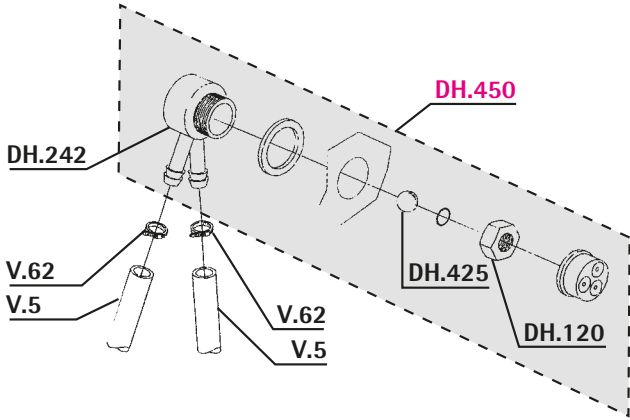
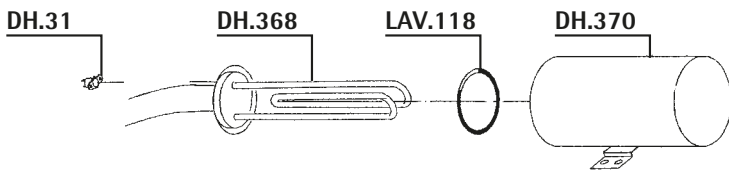
REF.	DESCRIPCIÓN	DESCRIPTION
DH..10	TUERCA CODO DESAGÜE	OUTLET ELBOW NUT
DH..11	JUNTA GOMA	RUBBER GASKET
DH..12	CODO DESAGÜE	DRAIN ELBOW
DH..23	MICRO PUERTA	DOOR MICROSWITCH
DH.322	INTERRUPTOR	SWITCH
DH.367	RESISTENCIA CUBA 2000W 230V	2000W 230V TANK RESISTANCE
DH.371	SOBRENIVEL	OVERFLOW
DH.372	EJE PUERTA	DOOR ROD
DH.373	TUERCA	NUT
DH.376	CIERRE PUERTA	CLOSING DOOR
DH.735	PATA DERBY	DERBY FOOT
DH.736	TUERCA PATA DERBY	NUT
DH.737	TUERCA PUERTA DERBY	DERBY DOOR NUT
DH.741	FILTRO ASPIRACION BOMBA	PUMP FILTER
DH.742	TUERCA CIERRE PUERTA	NUT
DH.743	MUELLE	SPRING
DH.744	BOLA CIERRER PUERTA	CLOSING DOOR BALL
DH.745	CUERPO CIERRE PUERTA	DOOR CLOSING BODY
DH.746	TUERCA INFERIOR CIERRE PUERTA	DOOR CLOSING LOWER NUT



Panel de control SYNTHESIS ■ SYNTHESIS Control panel

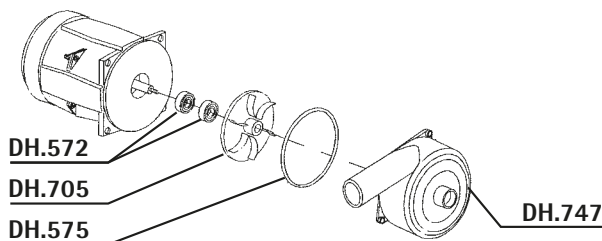
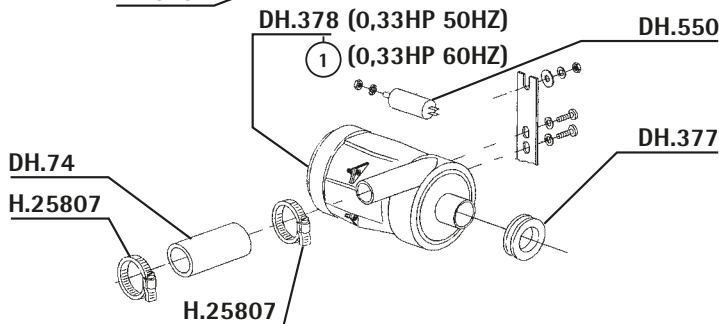
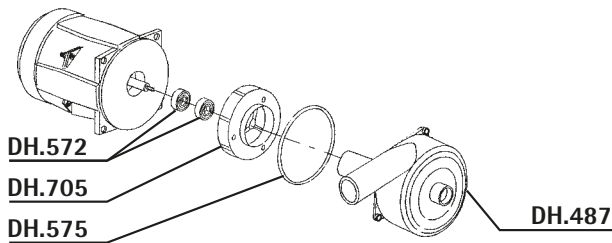
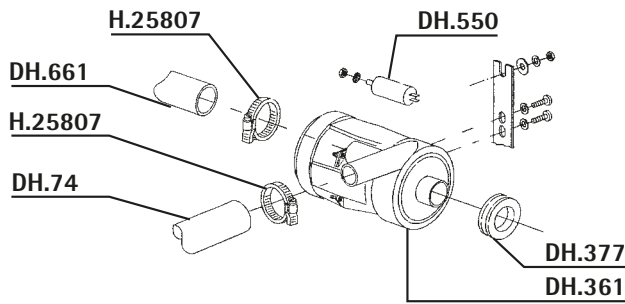
REF.	DESCRIPCIÓN	DESCRIPTION
DH.406	PULSADOR UNIPOLAR	UNIPOLAR PUSH-BUTTON
DH.428	INTERRUPTOR	SWITCH
DH.509	LAMPARA 220V	220V LAMP
DH.524	BOTON START	START BUTTON
DH.525	BOTON ON-OFF	ON-OFF BUTTON
DH.526	BOTON BOMBA VACIO	DRAIN PUMP BUTTON
DH.527	BOTON DEPURACION	PURIFIER BUTTON
DH.528	BOTON CALOR/FRIO	BUTTON HEAT/COLD
DH.529	PULSANTE BIPOLAR 16A	BIPOLAR PUSH-BUTTON 16A
DH.530	SOPORTE PULSADOR	PUSH-BUTTON SUPPORT
DH.531	SOPORTE INTERRUPTOR	SWITCH SUPPORT
DH.532	SOPORTE INTERRUPTOR	SWITCH SUPPORT
DH.533	TAPA	COVER
DH.534	JUNTA	GASKET
DH.584	CONMUTADOR BIPOLAR 16A	16A BIPOLAR SWITCH





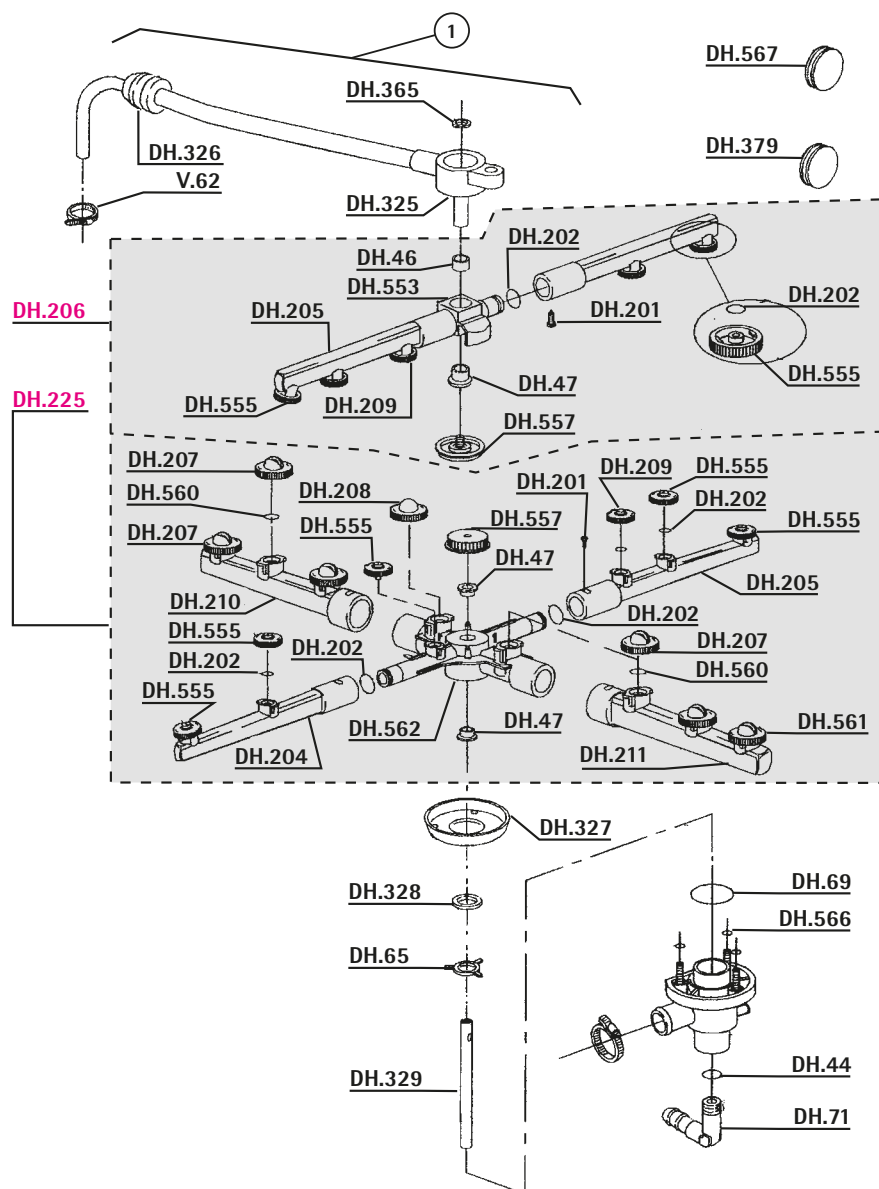
REF.	DESCRIPCIÓN	DESCRIPTION
DH..31	TERMOSTATO SEGURIDAD 110° C	110° C SAFETY THERMOSTAT
DH.120	TUERCA	NUT
DH.242	RACOR	FITTING
DH.368	RESISTENCIA CALDE.2500W 230V	2500W 230V BOILER RESISTANCE
DH.370	CALDERIN	BOILER
DH.425	ESFERA TEFLON	TEFLON SPHERE
DH.450	REDUCTOR	REDUCER
DH.546	RACOR 10MM	RACCORD 10MM
LAV118	TORICA GOMA	RING
V...5	TUBO GOMA 10X16 20 ATM	20ATM 10X17 RUBBER PIPE
V...62	ABRAZADERA 12-20	12-20 CLAMP

Motor SYNTHESIS ■ SYNTHESIS Motor

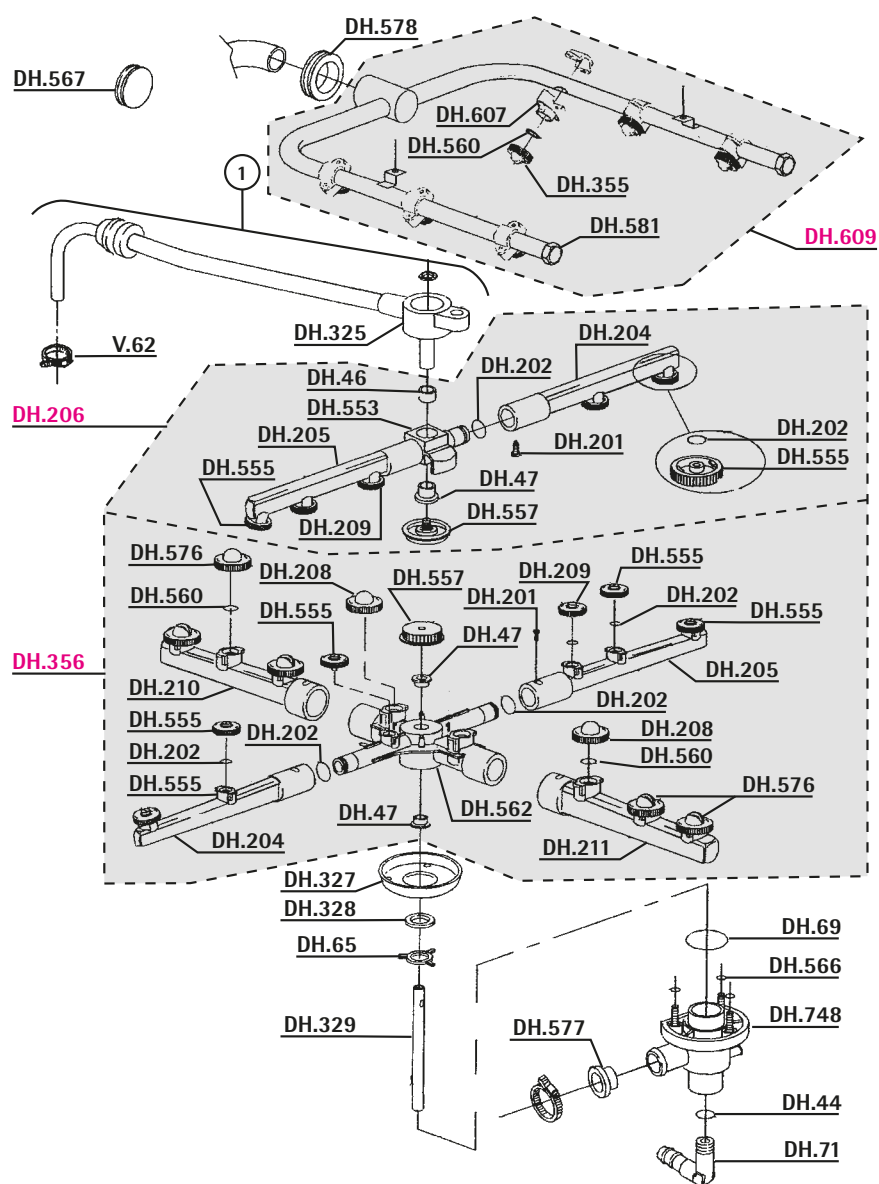


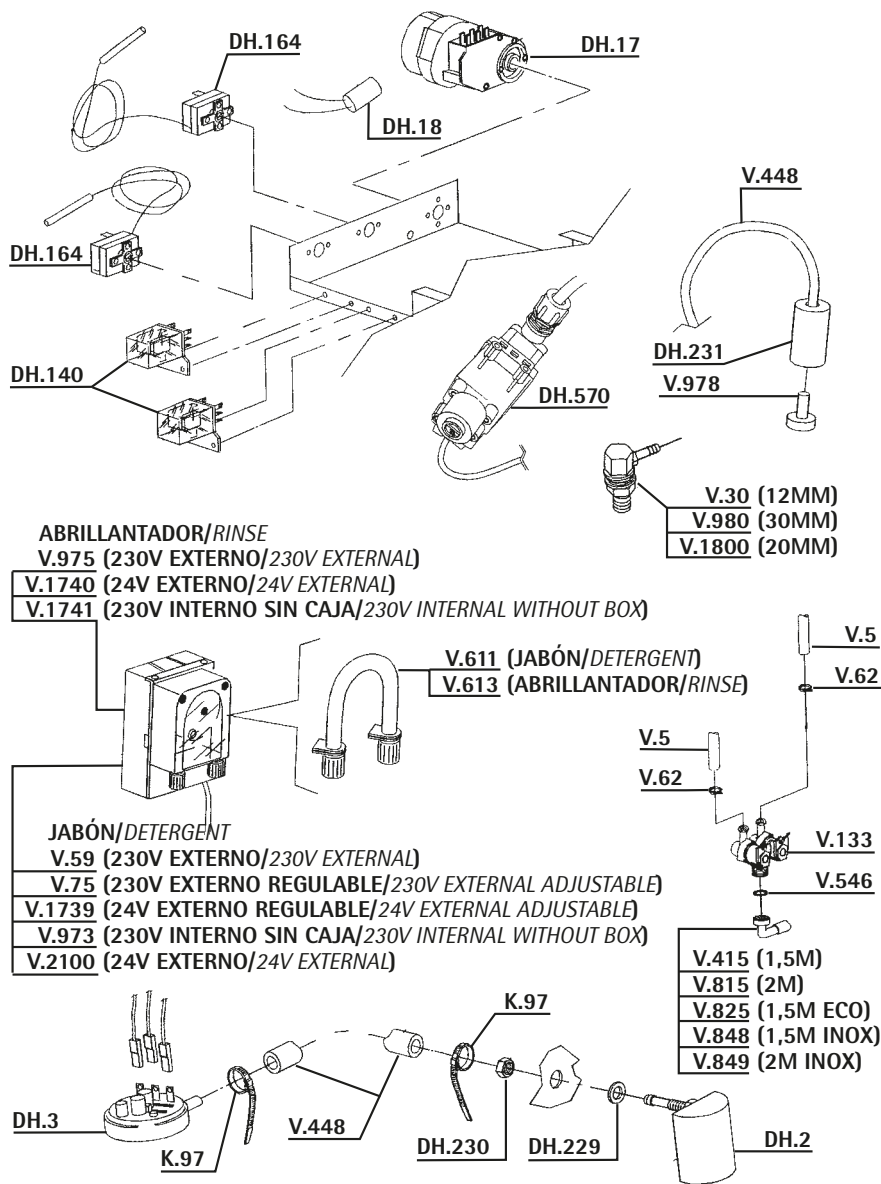
REF.	DESCRIPCIÓN	DESCRIPTION
DH..74	MANGUITO	SLEEVE
DH.361	MOTOR 0.30HP 3 VIAS	3 WAYS 0.30HP MOTOR
DH.377	JUNTA GOMA	RUBBER GASKET
DH.378	MOTOR 0.33HP	0.33HP MOTOR
DH.487	TAPA MOTOR DH.361	DH.361 MOTOR LID
DH.550	CONDENSADOR 5MF 450V	5MF 450V CONDENSER
DH.572	RETEN	MECHANICAL SEAL
DH.575	JUNTA MOTOR	MOTOR GASKET
DH.661	TUBO	PIPE
DH.705	JUNTA TAPA MOTOR	MOTOR LID GASKET
DH.747	TAPA MOTOR	MOTOR LID
H25807	ABRAZADERA 25-40	25-40 CLAMP

REF.	DESCRIPCIÓN	DESCRIPTION
DH..44	TORICA VITON	VITON RING
DH..46	ANILLO EJE	ROD RING
DH..47	CASQUILLO PLASTICO	CAP
DH..65	GUIA EJE	ROD GUIDE
DH..69	TORICA	RING
DH..71	CODO 3/8M-BOQUILLA	3/8M-HOSE STEP ELBOW
DH.201	TORNILLO	SCREW
DH.202	TORICA VITON	VITON RING
DH.204	TUBO IZDO.ACLARADO SUP.	UPPER RINSE LEFT PIPE
DH.205	TUBO DRCH.ACLARADO SUP.	UPPER RIGHT RINSE PIPE
DH.206	ASTA ACLARADO SUPERIOR	UPPER RINSE ARM
DH.207	ROCIADOR LAVADO	WASHING SPRAY
DH.208	ROCIADOR LAVADO CIEGO	BLIND WASHING SPRAY
DH.209	ROCIADOR ACLARADO CIEGO	BLIND RINSE SPRAY
DH.210	TUBO LAVADO DERECHO	WASHING RIGHT PIPE
DH.211	TUBO LAVADO IZQUIERDO	WASHING LEFT PIPE
DH.225	ARB.LAV/ACLARADO INF.MOD	LOWER MOD.WASH/RINSE ARM
DH.325	RACOR SUPERIOR	UPPER FITTING
DH.326	UNION	JUNCTION
DH.327	DISCO PLASTICO	DISC
DH.328	JUNTA TEFLON	TEFLON WASHER
DH.329	EJE	ROD
DH.365	ARANDELA	WASHER
DH.379	JUNTA GOMA	RUBBER GASKET
DH.553	UNION GIRATORIO	GIRATORY JUNCTION
DH.555	ROMPECHORROS	SPRAY
DH.557	TORNILLO GIRATORIO	GIRATORY SCREW
DH.560	JUNTA DIFUSOR	SPRAY GASKET
DH.562	CRUZ LAVADO	WASHER CROSS
DH.566	JUNTA	GASKET
DH.567	JUNTA	GASKET
V..62	ABRAZADERA 12-20	12-20 CLAMP



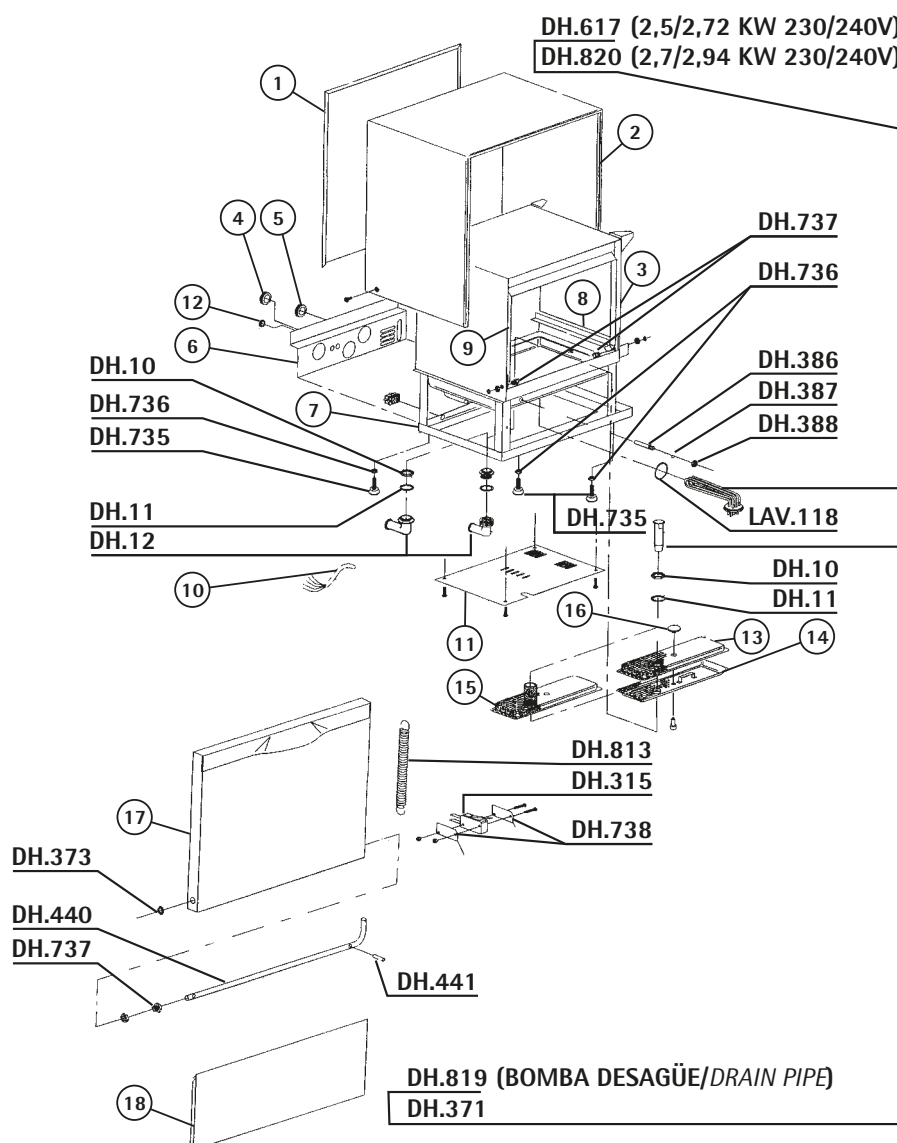
REF.	DESCRIPCIÓN	DESCRIPTION
DH..44	TORICA VITON	VITON RING
DH..46	ANILLO EJE	ROD RING
DH..47	CASQUILLO PLASTICO	CAP
DH..65	GUIA EJE	ROD GUIDE
DH..69	TORICA	RING
DH..71	CODO 3/8M-BOQUILLA	3/8M-HOSE STEP ELBOW
DH.201	TORNILLO	SCREW
DH.202	TORICA VITON	VITON RING
DH.204	TUBO IZDO.ACLARADO SUP.	UPPER RINSE LEFT PIPE
DH.205	TUBO DRCH.ACLARADO SUP.	UPPER RIGHT RINSE PIPE
DH.206	ASTA ACLARADO SUPERIOR	UPPER RINSE ARM
DH.208	ROCIADOR LAVADO CIEGO	BLIND WASHING SPRAY
DH.209	ROCIADOR ACLARADO CIEGO	BLIND RINSE SPRAY
DH.210	TUBO LAVADO DERECHO	WASHING RIGHT PIPE
DH.211	TUBO LAVADO IZQUIERDO	WASHING LEFT PIPE
DH.325	RACOR SUPERIOR	UPPER FITTING
DH.327	DISCO PLASTICO	DISC
DH.328	JUNTA TEFLON	TEFLON WASHER
DH.329	EJE	ROD
DH.355	ROCIADOR LAVADO	WASHING SPRAY
DH.356	ASTA LAVADO-ACLARADO INF.	LOWER WASH-RINSE ARM
DH.553	UNION GIRATORIO	GIRATORY JUNCTION
DH.555	ROMPECHORROS	SPRAY
DH.557	TORNILLO GIRATORIO	GIRATORY SCREW
DH.560	JUNTA DIFUSOR	SPRAY GASKET
DH.562	CRUZ LAVADO	WASHER CROSS
DH.566	JUNTA	GASKET
DH.567	JUNTA	GASKET
DH.576	ROMPECHORROS	SPRAY
DH.577	CASQUILLO	CAP
DH.578	JUNTA	GASKET
DH.581	TAPON	LID
DH.607	BRIDA DIFUSOR	SPRAY CLASP
DH.609	ASTA SUPERIOR GS40 COMPLETO	GS40 COMPLETE UPPER ARM
DH.748	COLECTOR INFERIOR	LOWER COLECTOR
V..62	ABRAZADERA 12-20	12-20 CLAMP





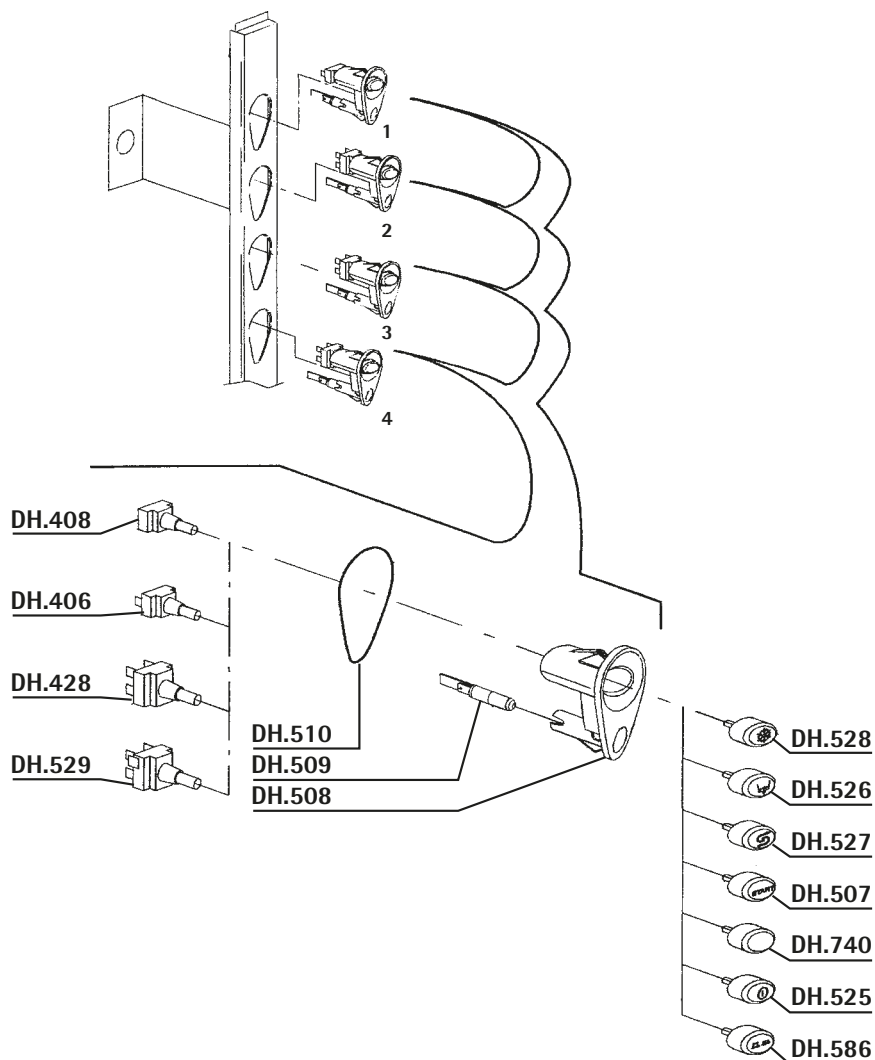
REF.	DESCRIPCIÓN	DESCRIPTION
DH...2	CAMARA PRESOSTATICA	PRESSURE SWITCH CHAMBER
DH...3	PRESOSTATO SAL	55/30 HORIZ.PRESS.SWITCH
DH..17	TEMPORIZADOR 2MICROS 150V	2TOOTH 150° TIMER
DH..18	FILTRO ANTIPARASITARIO	ANTIPARASTIC FILTER
DH.140	RELE BIPOLAR 16A	16A RELAY
DH.164	TERMOSTATO 0-90°	0-90° THERMOSTAT
DH.229	JUNTA ALIMENTARIA	ALIMENTARY GASKET
DH.230	TUERCA INOX	NUT
DH.231	PESO FILTRO	FILTER FITTING
DH.570	DOSIFICADOR ABRILLANTADOR	RISE AND DOSSIMETER
K...97	BRIDA NYLON	5X24mm NYLON CLASP
V...5	TUBO GOMA 10X16 20 ATM	20ATM 10X17 RUBBER PIPE
V...30	RACOR ENTRADA JABON	INLET SOAP FITTING
V..59	DOSIFICADOR PERISTALTICO	DOSIMETER
V...62	ABRAZADERA 12-20	12-20 CLAMP
V..75	DOSIFERISTALTICO REGULA	ADJUSTABLE DOSIMETER
V.133	ELECTROVAL.2 VIA LAV.220V	WASH 2 WAYS 220V SOLENOID
V.415	FLEXIBLE 1,5MT	1,5MT FLEXIBLE
V..448	TUBO PRESOSTATO-METRO 4X6	4X6 PRE.SWITCH INLET PIPE
V.546	JUNTA GOMA 3/4	WATER INLET RUBBER GASKET
V.611	TUBO INTERIOR DOS.PER. JABON	INLET PIPE
V.613	TUBO INTERIOR DOS.PER.ABRILLAN	RINS.AID INSIDE PIPE
V.815	FLEXIBLE 2MT	2MT FLEXIBLE
V.825	FLEXIBLE 1,5MT ECO	1,5MT ECO FLEXIBLE
V.848	FLEXIBLE 1,5MT INOX	1,5MT INOX FLEXIBLE
V.849	FLEXIBLE 2MT INOX	2MT INOX FLEXIBLE
V..973	DOSIFICADOR PERISTALTICO INTER	INTERNAL PERISTALTIC DOS.
V.975	DOSIFICADOR ABRILLANTADOR EXT.	EXTERNAL RINSE DOSIMETER
V.978	FILTRO DOSIFICADOR	DOSIMETER FILTER
V.980	RACOR ENTRADA JABON LARGO	LONG INLET FITTING
V.1739	DOSIF.PERISTAL.REGULABLE 24Vac	24Vac ADJUSTABLE DOSIMETER
V.1740	DOSIF.ABRILLAN.EXTERNO 24Vac	24Vac EXTERNAL RINSE DOSIMETER
V.1741	DOSIF.ABRILL.INTERNO 230V AC	230Vac INTERNAL RINSE DOSIMET
V.1800	RACOR ENTRADA JABON METALICO	METALIC DETER.INLET FITTING
V.2100	DOSIFICADOR PERISTAL.JABON 24V	24V SOAP DOSIMETER

Carrocería / Puerta / Filtro / Resistencia G600 ■ G600 Resistance / Filter / Door / Bodywork

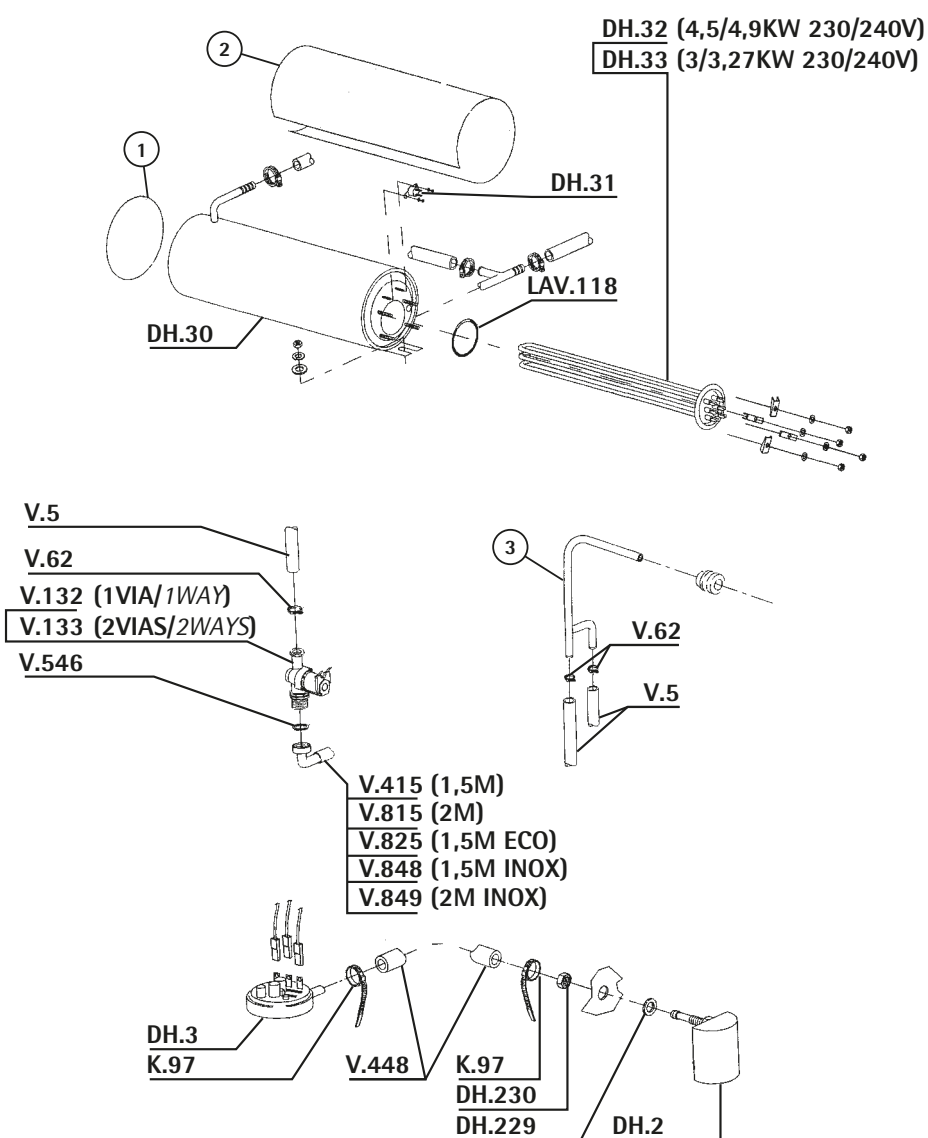


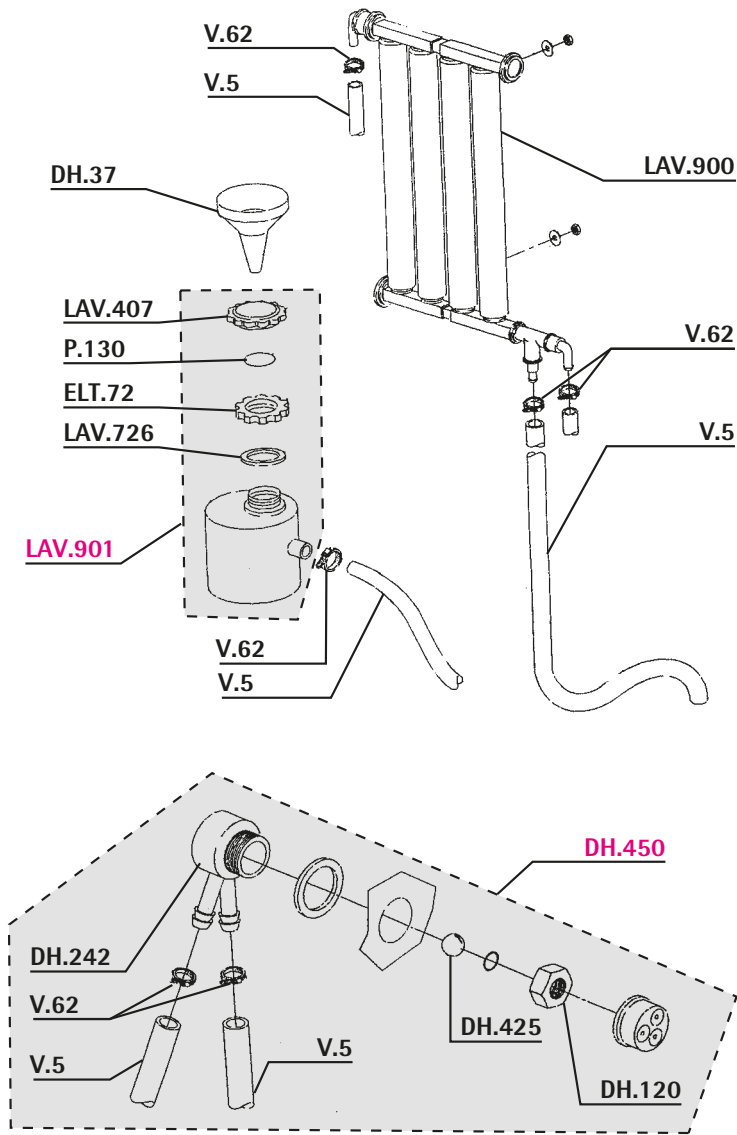
REF.	DESCRIPCIÓN	DESCRIPTION
DH..10	TUERCA CODO DESAGÜE	OUTLET ELBOW NUT
DH..11	JUNTA GOMA	RUBBER GASKET
DH..12	CODO DESAGÜE	DRAIN ELBOW
DH.315	MICRO PUERTA 250V 16A	250V 16A DOOR MICROSWITCH
DH.371	SOBRENIVEL	OVERFLOW
DH.373	TUERCA	NUT
DH.386	TERMOSTATO	THERMOSTAT
DH.387	JUNTA ALIMENTARIA	ALIMENTARY GASKET
DH.388	TUERCA	NUT
DH.440	EJE PUER.GAST.500-750-900	GAST.500/750/900 DOOR ROD
DH.441	PERNO	BOLT
DH.617	RESISTENCIA 2,5/2,72KW 230/240V	RESISTANCE 2,5/2,72KW 230/240V
DH.735	PATA DERBY	DERBY FOOT
DH.736	TUERCA PATA DERBY	NUT
DH.737	TUERCA PUERTA DERBY	DERBY DOOR NUT
DH.738	AISLANTE MICRO	MICRO ISILATE
DH.813	MUELLE PUERTA	DOOR SPRING
DH.819	REBOSADERO G600 BOMBA DESAGÜE	G600 DRAIN PUMP OVERFLOW
DH.820	RESISTENCIA 2,7/2,94KW 230/240V	2,7/2,94KW 230/240V RESISTANC
LAV118	TORICA GOMA	RING

REF.	DESCRIPCIÓN	DESCRIPTION
DH.406	PULSADOR UNIPOLAR	UNIPOLAR PUSH-BUTTON
DH.408	PULSADOR	PUSH-BUTTON
DH.428	INTERRUPTOR	SWITCH
DH.507	BOTON START	START BUTTON
DH.508	SOPORTE BOTON	BUTTON SUPPORT
DH.509	LAMPARA 220V	220V LAMP
DH.510	TORICA	RING
DH.525	BOTON ON-OFF	ON-OFF BUTTON
DH.526	BOTON BOMBA VACIO	DRAIN PUMP BUTTON
DH.527	BOTON DEPURACION	PURIFIER BUTTON
DH.528	BOTON CALOR/FRIO	BUTTON HEAT/COLD
DH.529	PULSANTE BIPOLAR 16A	BIPOLAR PUSH-BUTTON 16A
DH.586	BOTON SELECTOR TIEMPO	SELECTOR TIME BUTTON
DH.740	BOTON CIEGO	BLIND BUTTON

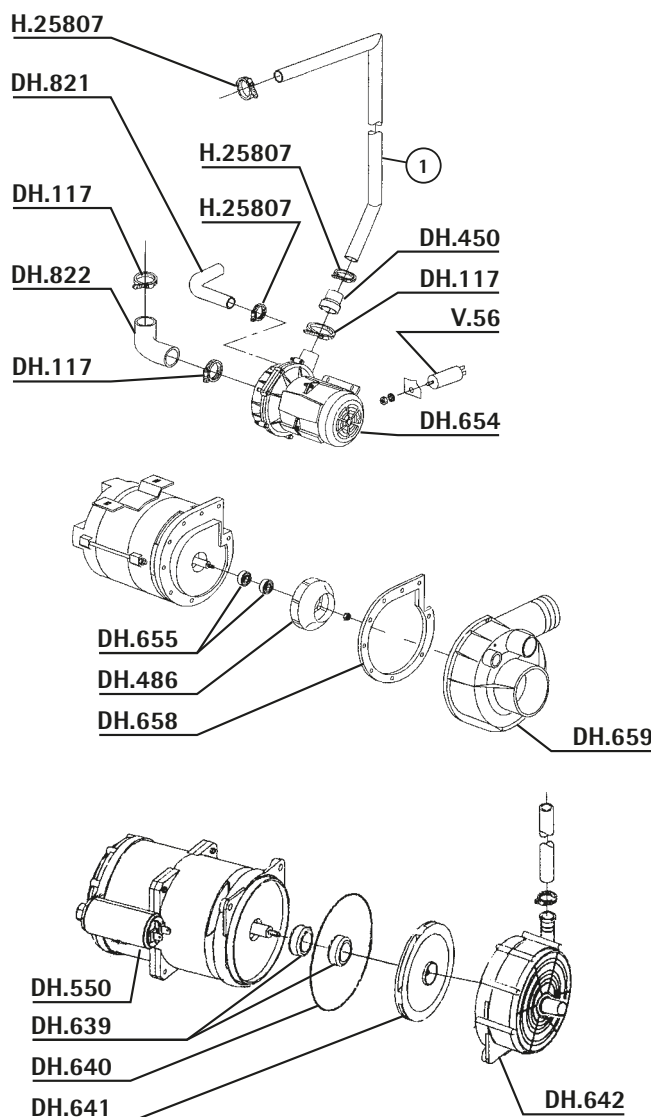


REF.	DESCRIPCIÓN	DESCRIPTION
DH...2	CAMARA PRESOSTATICA	PRESSURE SWITCH CHAMBER
DH...3	PRESOSTATO SAL	55/30 HORIZ.PRESS.SWITCH
DH...30	CALDERIN	BOILER
DH...31	TERMOSTATO SEGURIDAD 110° C	110° C SAFETY THERMOSTAT
DH...32	RESIST.CALDERIN 3000W 230V	3000W 230V BOILER RESISTANCE
DH...33	RESIST.CALDERIN 4500W/220V	4500W BOILER RESISTANCE
DH.229	JUNTA ALIMENTARIA	ALIMENTARY GASKET
DH.230	TUERCA INOX	NUT
K...97	BRIDA NYLON	5X24mm NYLON CLASP
LAV118	TORICA GOMA	RING
V...5	TUBO GOMA 10X16 20 ATM	20ATM 10X17 RUBBER PIPE
V...62	ABRAZADERA 12-20	12-20 CLAMP
V.132	ELECTROVAL.1 VIA LAV.220V	WASH 1 WAY 220V SOLENOID
V.133	ELECTROVAL.2 VIA LAV.220V	WASH 2 WAYS 220V SOLENOID
V.415	TOMA LAVADORA 1,5M	QUALITY 1.5M.INLET W.FLEX
V.448	TUBO PRESOSTATO-METRO 4X6	4X6 PRE.SWITCH INLET PIPE
V.546	JUNTA GOMA 3/4	WATER INLET RUBBER GASKET
V.815	TOMA LAVADORA 2 METROS	2 MT.INLET WATER FLEXIBLE
V.825	TOMA LAVADORA 1.5 "ECO"	"ECO"1.5M INLET WA.FLEXIB
V.848	TOMA LAVADORA 1.5M INOX	INOX 1.5M INLET WATER FL.
V.849	TOMA LAV.INOX 2MT.3/4X3/4	INOX 2MT.INLET WATER FLE.



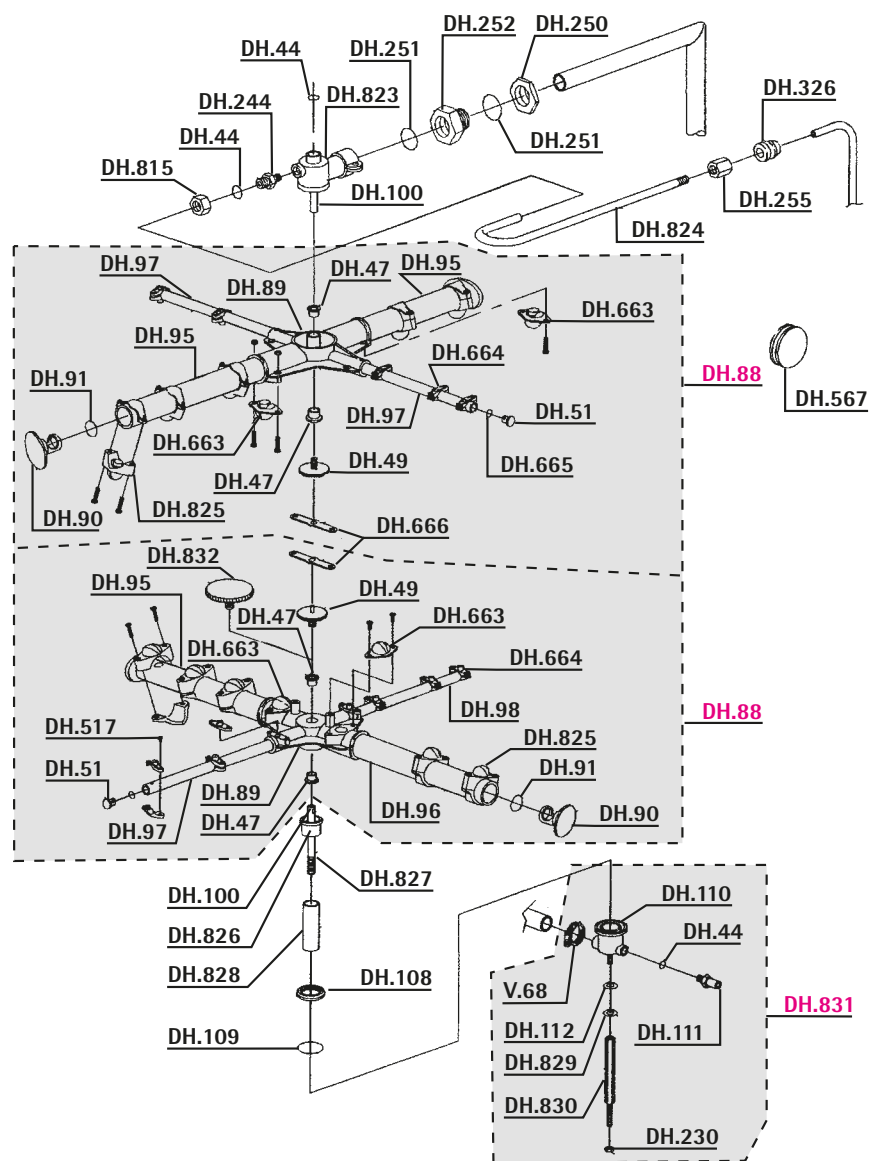


REF.	DESCRIPCIÓN	DESCRIPTION
DH..37	EMBUDO	FUNNEL
DH.120	TUERCA	NUT
DH.242	RACOR	FITTING
DH.425	ESFERA TEFLON	TEFLON SPHERE
DH.450	REDUCTOR	REDUCER
ELT.72	RACOR DEPOSITO SAL	FITTING SALT CONTAINER
LAV.407	TAPON DEPOSITO SAL	SALT TANK CAP
LAV.726	JUNTA GOMA BOTELLA SAL	BOTTLE SALT RUBBER GASKET
LAV.900	DEPURADOR LAVATAZAS	WASHING CUP PURIFIER
LAV.901	DEPOSITO SAL	SALT CONTAINER
P.130	TORICA EPDM	RING
V...5	TUBO GOMA 10X16 20 ATM	20ATM 10X17 RUBBER PIPE
V...62	ABRAZADERA 12-20	12-20 CLAMP

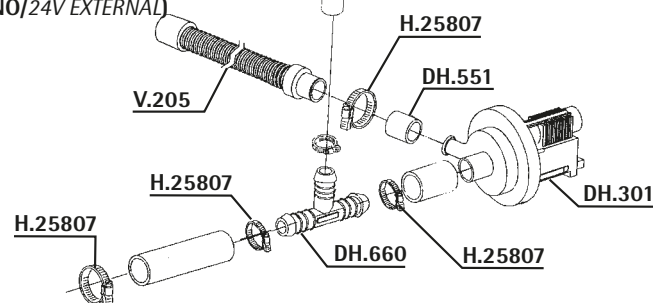
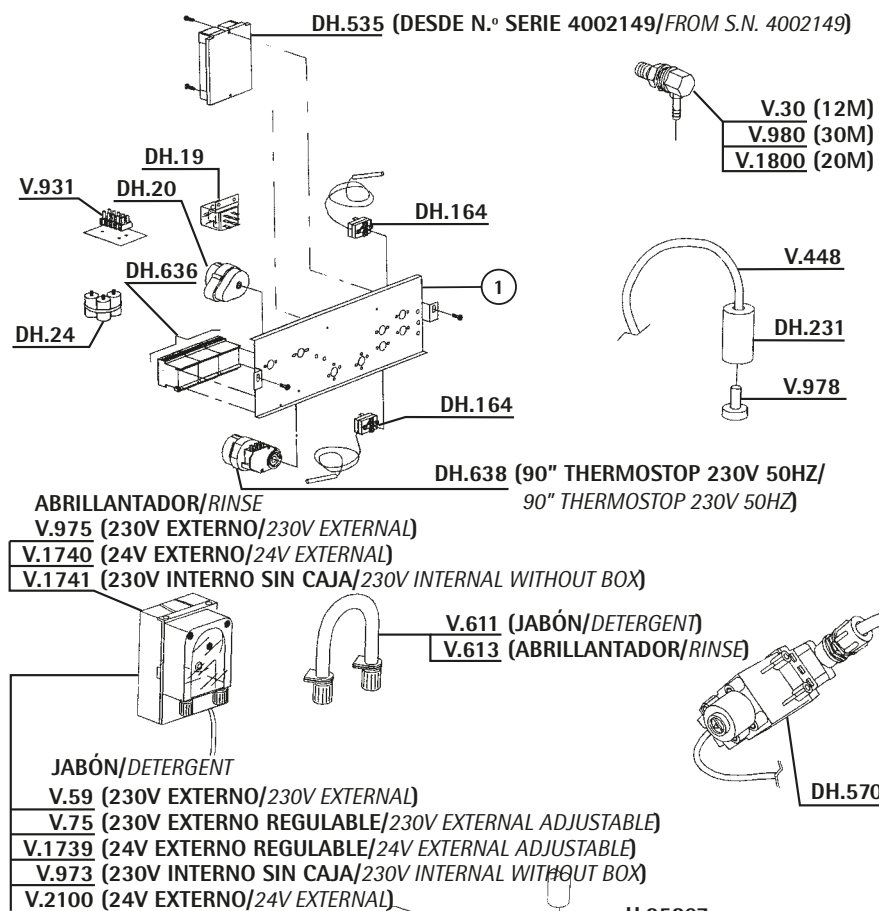


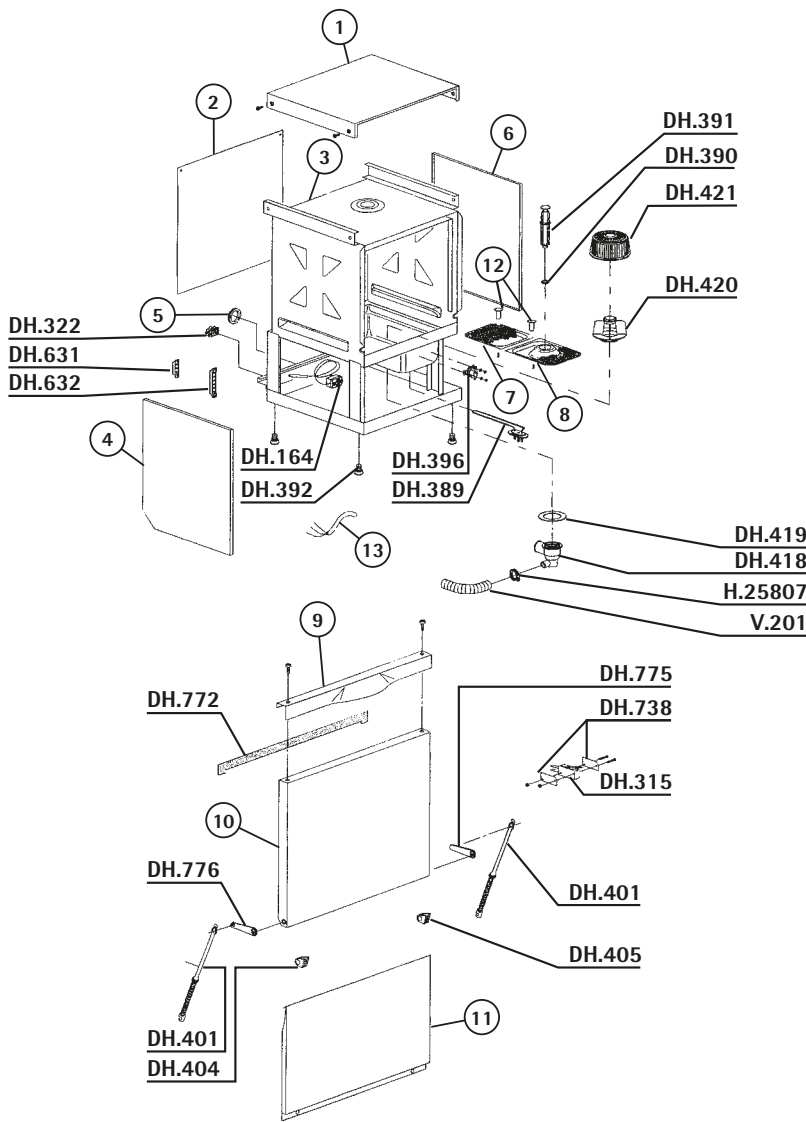
REF.	DESCRIPCIÓN	DESCRIPTION
DH.117	ABRAZADERA 46-70	46-70 CLAMP
DH.395	MOTOR	MOTOR
DH.450	REDUCTOR	REDUCER
DH.486	TURBINA MOTOR DH.451/457/486	DH.451/457/486 MOTOR TURBINE
DH.550	CONDENSADOR 5MF 450V	5MF 450V CONDENSER
DH.639	RETEN MOTOR GS40	GS40 MOTOR MECHANICAL SEAL
DH.640	JUNTA MOTOR GS40	GS40 MOTOR GASKET
DH.641	TURBINA MOTOR GS40	GS40 MOTOR TURBINE
DH.642	TAPA MOTOR	MOTOR LID
DH.654	MOTOR 1HP 220/240V AC 50HZ	1HP 220/240V AC 50HZ MOTOR
DH.655	RETEN MOTOR	MOTOR MECHANICAL SEAL
DH.658	JUNTA TAPA MOTOR	MOTOR LID GASKET
DH.659	TAPA MOTOR GS50	GS50 MOTOR LID
DH.821	TUBO BOMBA G600	G600 PUMP PIPE
DH.822	TUBO BOMBA G600	G600 PUMP PIPE
H25807	ABRAZADERA 25-40	25-40 CLAMP
V...56	CONDENSADOR 12,5 MF 220V	12,5MF 220V CONDENSER

REF.	DESCRIPCIÓN	DESCRIPTION
DH..44	TORICA VITON	VITON RING
DH..47	CASQUILLO PLASTICO	CAP
DH..49	FIJACION ARBOL LAV./ACL	WASH/RINSE TREE FIRMNESS
DH..51	TAPON TUBO ACLARADO	RINSE PIPE CAP
DH..88	ARBOL LAVADO ACLARADO	WASH/RINSE TREE
DH..89	CENTRAL ARBOL LAV./ACLA.	WASH/RINSE ROTOR
DH..90	TAPON TUBO LAVADO	WASH PIPE CAP
DH..91	TORICA	RING
DH..95	TUBO LAVADO IZQUIERDO	LEFT WASHING PIPE
DH..96	TUBO LAVADO DERECHO	RIGHT WASHING PIPE
DH..97	TUBO ACLARADO DERECHO	TUBE RINSE PIPE
DH..98	TUBO ACLARADO IZQUIERDO	LEFT RINSE PIPE
DH.100	EJE ACLARADO SUP./INF.	UPPER LOWER CLEAR ROD
DH.108	ARANDELA LAVADO INFERIOR	LOWER WASH WASHER
DH.109	TORICA	RING
DH.110	COLECTOR DISTRIBUIDOR INF	DISTRIBUTOR COLLECTOR
DH.111	RACOR	FITTING
DH.112	JUNTA COLECTOR GOMA	COLLECTOR RUBBER GASKET
DH.230	TUERCA INOX	NUT
DH.244	RACOR	FITTING
DH.250	TUERCA	NUT
DH.251	TORICA	RING
DH.252	CONTRATUERCA	BRASS NUT
DH.255	TUERCA	NUT
DH.326	UNION	JUNCTION
DH.517	TORNILLO M4x8	SCREW M4x8
DH.567	JUNTA	GASKET
DH.663	ROCIADOR ACLARADO	RINSE SPRAY
DH.664	ROCIADOR COMPLETO	COMPLET SPRAY
DH.665	JUNTA LATERAL	LATERAL GASKET
DH.666	PLACA GIRATORIO	GIRATORY PLATE
DH.815	TUERCA 3/8x3,5 DIAM 10	3/8,5 DIAM 10 NUT
DH.823	COLECTOR SUPERIOR G600	G600 UPPER COLLECTOR
DH.824	TUBO	PIPE
DH.825	ROCIADOR	SPRAY
DH.826	ADAPTADOR INFERIOR	LOWER ADAPTOR
DH.827	EJE	ROD
DH.828	TUBO PROTECTOR	PROTECTOR PIPE
DH.829	ARANDELA	WASHER
DH.830	EJE	ROD
DH.831	DISTRIBUIDOR INFERIOR COMPLETO	LOWER COMPLET DISTRIBUTOR
DH.832	TORNILLO GIRATORIO	GIRATORY SCREW
V...68	ABRAZADERA 32-50	35-50 CLAMP

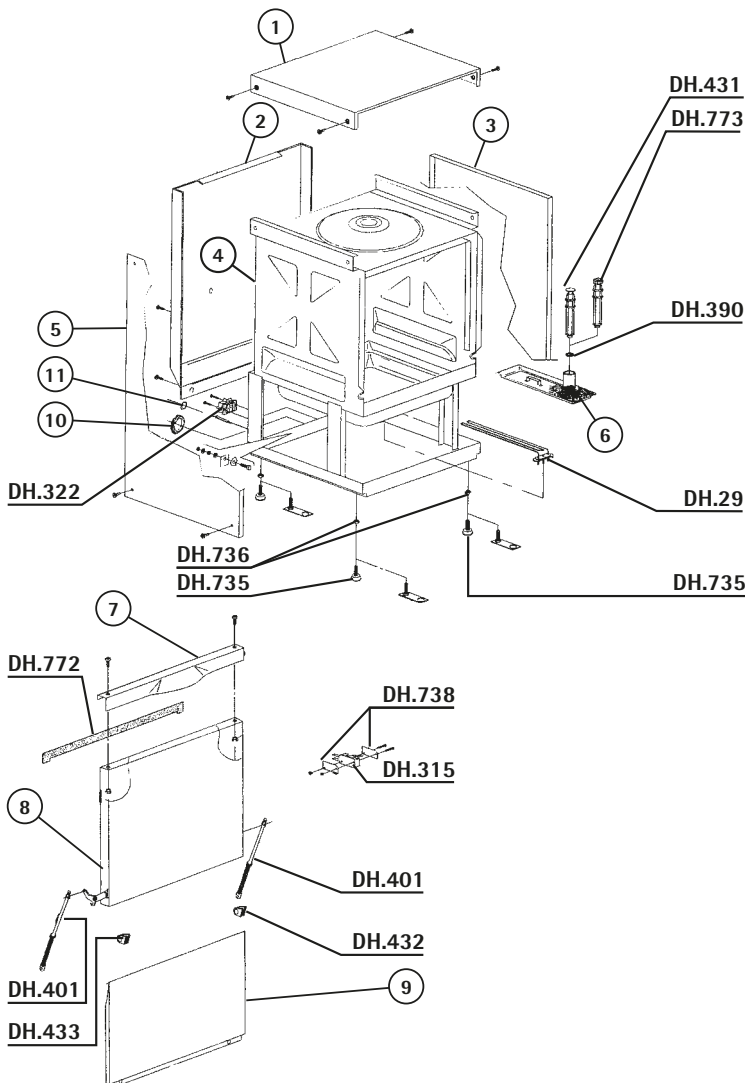


REF.	DESCRIPCIÓN	DESCRIPTION
DH..19	RELE 16A 230V	230V 16A RELAY
DH..20	TEMPORIZAD.3MICROS 18MIN.	3TOOTH 18MIN.TIMER
DH..24	FILTRO ANTIPARASITARIO	ANTIPARASTIC FILTER
DH.164	TERMOSTATO 0-90°	0-90° THERMOSTAT
DH.231	PESO FILTRO	FILTER FITTING
DH.301	BOMBA DESAGÜE	OUTLET PUMP
DH.535	TIMER ELECTRONICO 3 TIEMPOS	ELECTRINIC TIMER
DH.551	MANGUITO	SLEEVE
DH.570	DOSIFICADOR ABRILLANTADOR	RISE AND DOSSIMETER
DH.636	CONTACTOR 240V 50HZ	CONTACTOR
DH.638	TIMER 90° THERMOSTOP 230V 50HZ	TIMER 90° THERMOSTOP 230V 50HZ
DH.660	T. EMPALME	T. UNION
H25807	ABRAZADERA 25-40	25-40 CLAMP
V...30	RACOR ENTRADA JABON	INLET SOAP FITTING
V...59	DOSIFICADOR PERISTALTICO	DOSIMETER
V...75	DOSIF.PERISTALTICO REGULA	ADJUSTABLE DOSIMETER
V.205	DESAGÜE EXTENSIB.2mt.22x28mm	2mt EXTENSIBLE OUT PIPE
V.448	TUBO PRESOSTATO-METRO 4X6	4X6 PRE-SWITCH INLET PIPE
V.611	TUBO INTERIOR DOS.PER. JABON	INLET PIPE
V.613	TUBO INTERIOR DOS.PER.ABRILLAN	RINS.AID INSIDE PIPE
V.931	REGLETA 9 POLOS D.4,5MM	D.4,5mm 9 POLES CONNECT
V.973	DOSIFICADOR PERISTALTICO INTER	INTERNAL PERISTALTIC DOS.
V.975	DOSF. ABRILLANTADOR	RINSE AID DOSIMETER.
V.978	FILTRO DOSIFICADOR	DOSIMETER FILTER
V.980	RACOR ENTRADA JABON LARGO	LONG INLET FITTING
V.1739	DOSIF.PERISTAL.REGULABLE 24Vac	24Vac ADJUSTABLE DOSIMETER
V.1740	DOSIF.ABRILLAN.EXTERNO 24Vac	24Vac EXTERNAL RINSE DOSIMETER
V.1741	DOSIF.ABRILLAN.INTERNO 230V AC	230Vac INTERNAL RINSE DOSIMET
V.1800	RACOR ENTRADA JABON METALICO	METALIC DETER.INLET FITTING
V.2100	DOSIFICADOR PERISTAL.JABON 24V	24V SOAP DOSIMETER



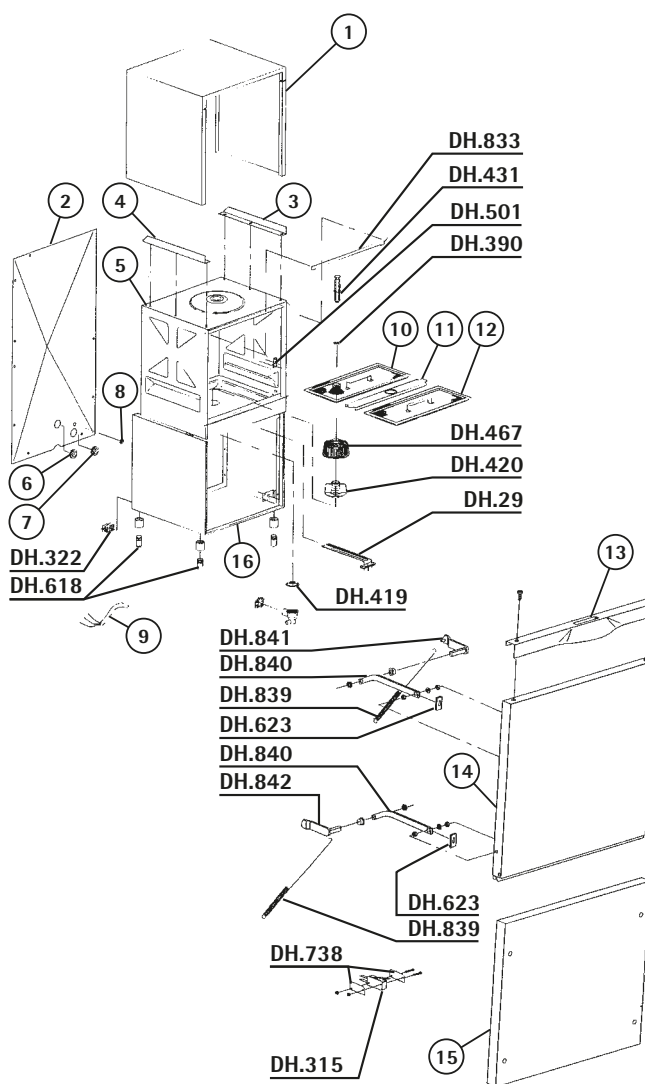


REF.	DESCRIPCIÓN	DESCRIPTION
DH.164	TERMOSTATO 0-90°	0-90° THERMOSTAT
DH.315	MICRO PUERTA 250V 16A	250V 16A DOOR MICROSWITCH
DH.322	INTERRUPTOR	SWITCH
DH.389	RESISTENCIA CUBA 1200W 230V	1200W 230V TANK RESISTANCE
DH.390	COLLARIN GOMA	RUBBER GASKET
DH.391	SOBRENIVEL	OVERFLOW
DH.392	PATA	FOOT
DH.396	TERMOSTATO	THERMOSTAT
DH.401	MUELLE PUERTA	DOOR SPRING
DH.404	EJE BISAGRA DERECHA	RIGHT HINGE ROD
DH.405	EJE BISAGRA IZQUIERDA	LEFT HINGE ROD
DH.418	RACOR	FITTING
DH.419	JUNTA GOMA	RUBBER GASKET
DH.420	BASE FILTRO	FILTER BASE
DH.421	FILTRO	FILTER
DH.631	REGLETA 3 POLOS	CONNECTOR
DH.632	REGLETA 6 POLOS	CONNECTOR
DH.738	AISLANTE MICRO	MICRO ISILATE
DH.772	JUNTA PUERTA TEKNO 4	TEKNO 4 DOOR GASKET
DH.775	BISAGRA DERECHA PUERTA	DOOR RIGHT HINGE
DH.776	BISAGRA IZQUIERDA PUERTA	DOOR LEFT HINGE
H25807	ABRAZADERA 25-40	25-40 CLAMP
V..201	TUBO DESAGÜE 28mm. 1,5mt.	28mm. 1.5mt OUTLET PIPE

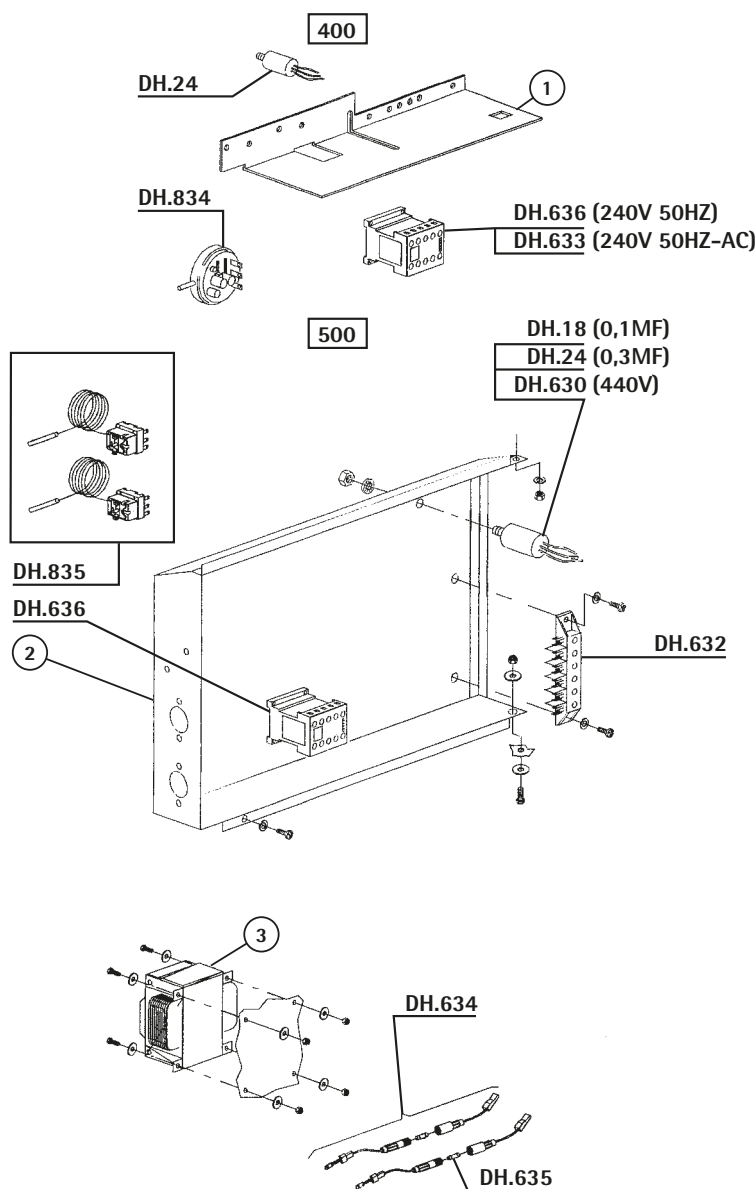


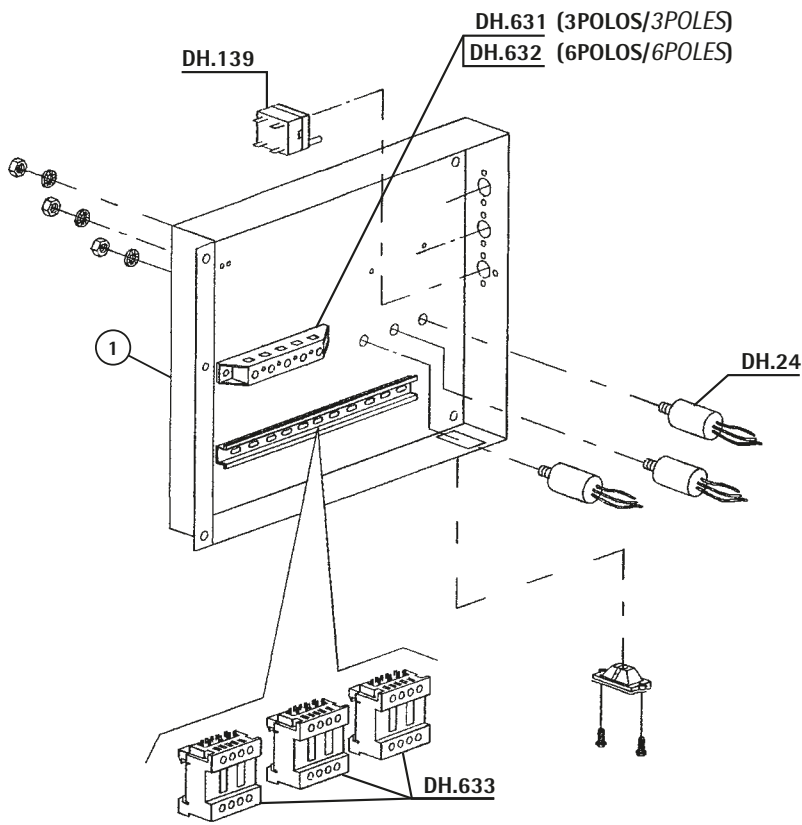
REF.	DESCRIPCIÓN	DESCRIPTION
DH..29	RESIST.CUBA 2700W 230V	2700W 230V TANK RESISTANCE
DH.315	MICRO PUERTA 250V 16A	250V 16A DOOR MICROSWITCH
DH.322	INTERRUPTOR	SWITCH
DH.390	COLLARIN GOMA	RUBBER GASKET
DH.401	MUELLE PUERTA	DOOR SPRING
DH.431	SOBRENIVEL	OVERFLOW
DH.432	TOPE BISAGRA DERECHA	RIGHT HINGE STOP
DH.433	TOPE BISAGRA IZQUIERDA	LEFT HINGE STOP
DH.735	PATA DERBY	DERBY FOOT
DH.736	TUERCA PATA DERBY	NUT
DH.738	AISLANTE MICRO	MICRO ISILATE
DH.772	JUNTA PUERTA TEKNO 4	TEKNO 4 DOOR GASKET
DH.773	SOBRENIVEL TEKNO 6	TEKNO 6 OVERFLOW

REF.	DESCRIPCIÓN	DESCRIPTION
DH..29	RESIST.CUBA 2700W 230V	2700W 230V TANK RESISTANCE
DH.315	MICRO PUERTA 250V 16A	250V 16A DOOR MICROSITCH
DH.322	INTERRUPTOR	SWITCH
DH.390	COLLARIN GOMA	RUBBER GASKET
DH.419	JUNTA GOMA	RUBBER GASKET
DH.420	BASE FILTRO	FILTER BASE
DH.431	SOBRENIVEL	OVERFLOW
DH.467	FILTRO	FILTER
DH.501	CHAPA PUERTA	DOOR PLATE
DH.618	PATA	FOOT
DH.623	GUÍA VARILLA PUERTA	DOOR ROD GUIDE
DH.738	AISLANTE MICRO	MICRO ISILATE
DH.833	JUNTA PUERTA ELECTRON	ELECTRON DOOR GASKET
DH.839	MUELLE	SPRING
DH.840	VARILLA BISAGRA	HINGE ROD
DH.841	BISAGRA DERECHA	RIGHT HINGE
DH.842	BISAGRA IZQUIERDA	LEFT HINGE



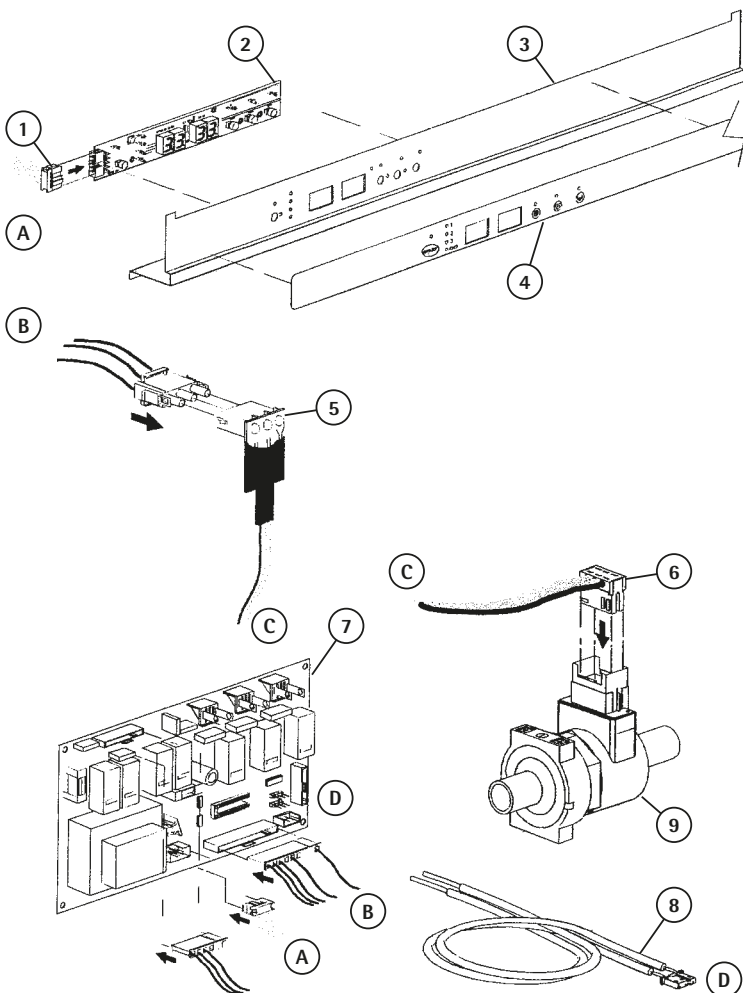
REF.	DESCRIPCIÓN	DESCRIPTION
DH..18	FILTRO ANTIPARASITARIO	ANTIPARASTIC FILTER
DH..24	FILTRO ANTIPARASITARIO	ANTIPARASTIC FILTER
DH.630	FILTRO ANTIPARASITARIO F3 440V	F3 440V ac 3 ANTIPARASTIC FIL
DH.632	REGLETA 6 POLOS	CONNECTOR
DH.633	CONTACTOR 230V 50/60HZ 4C	CONTACTOR 230V 50/60HZ 4C
DH.634	PORTA FUSIBLE	FUSE HOLDER
DH.635	FUSIBLE	HOLDER
DH.636	CONTACTOR 240V 50HZ	CONTACTOR
DH.834	PRESOSTATO EL 59-25	PRESSURE SWITCH EL 59-25
DH.835	TERMOSTATO SEGURIDAD EGO TRIPO	SAFETY THERMOSTAT EGO 110° C





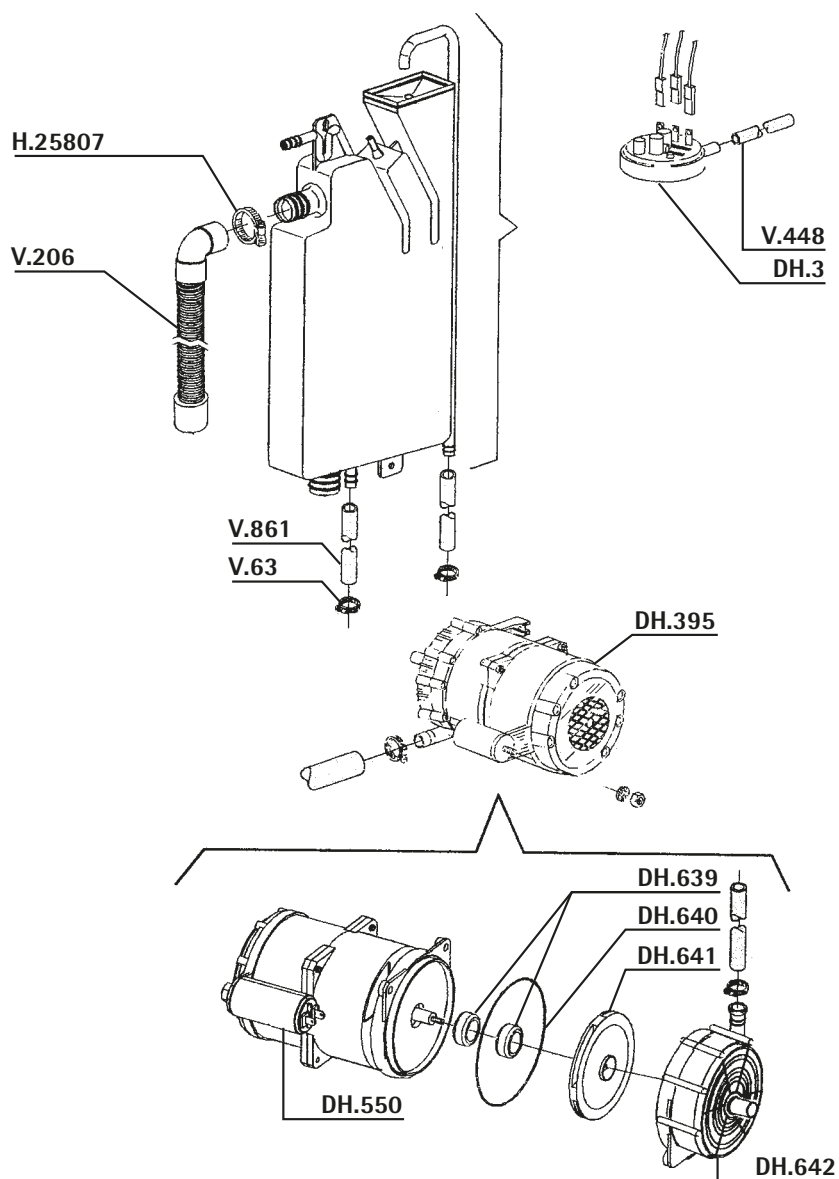
REF.	DESCRIPCIÓN	DESCRIPTION
DH..24	FILTRO ANTIPARASITARIO	ANTIPARASTIC FILTER
DH.139	TERMOST.SEGURIDAD 90-110°	90-110° SAFETY THERMOSTAT
DH.631	REGLETA 3 POLOS	CONNECTOR
DH.632	REGLETA 6 POLOS	CONNECTOR
DH.633	CONTACTOR 230V 50/60HZ 4C	CONTACTOR 230V 50/60HZ 4C

Panel de mandos electrónico ELECTRON 400 / ELECTRON 500 / ELECTRON 1000 ■ ELECTRON 400 / ELECTRON 500 / ELECTRON 1000 Electronic panel

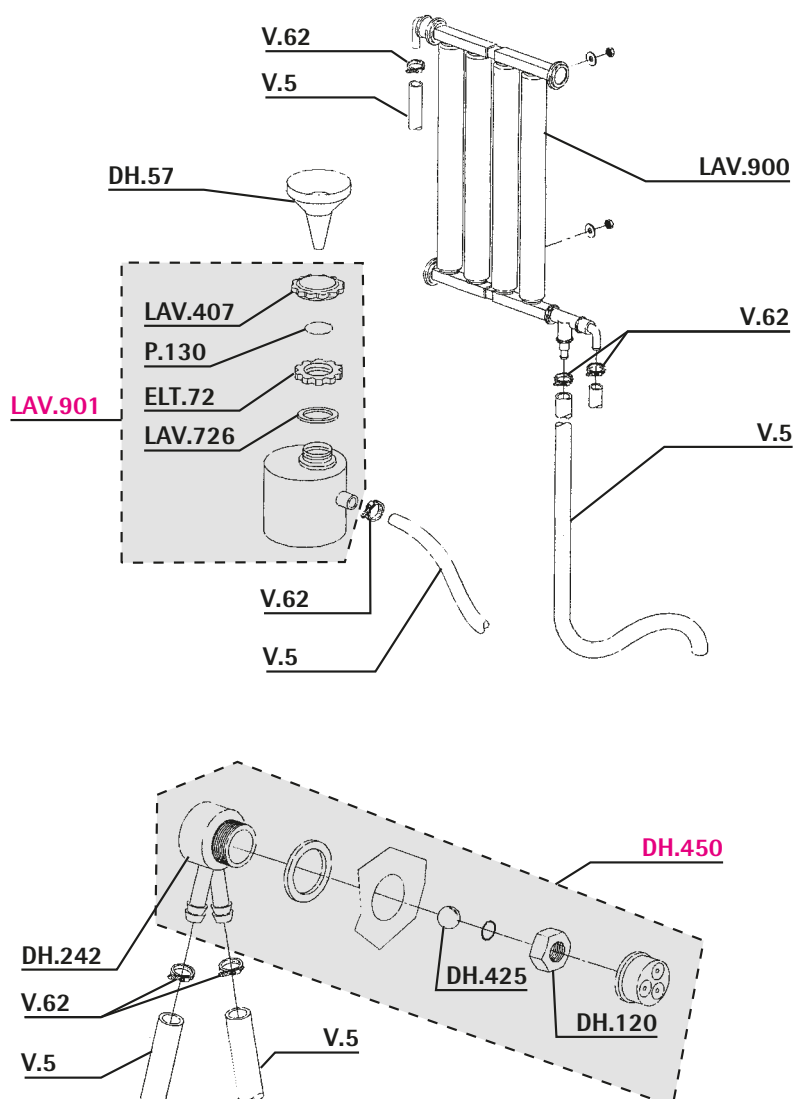


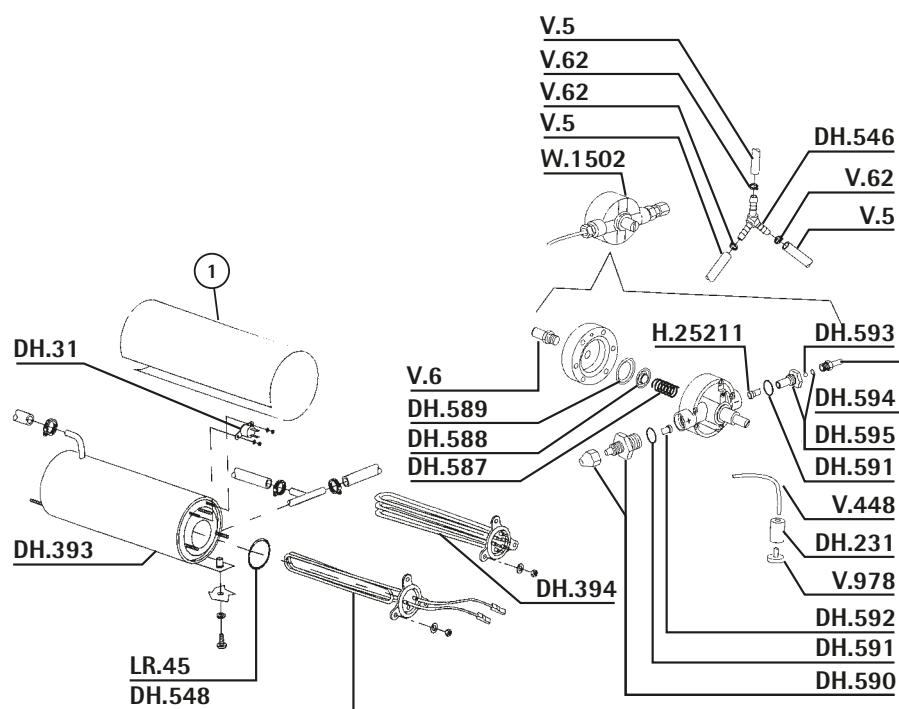
REF.	DESCRIPCIÓN	DESCRIPTION
------	-------------	-------------

REF.	DESCRIPCIÓN	DESCRIPTION
DH...3	PRESOSTATO SAL	55/30 HORIZ.PRESS.SWITCH
DH.395	MOTOR	MOTOR
DH.550	CONDENSADOR 5MF 450V	5MF 450V CONDENSER
DH.639	RETEN MOTOR GS40	GS40 MOTOR MECHANICAL SEAL
DH.640	JUNTA MOTOR GS40	GS40 MOTOR GASKET
DH.641	TURBINA MOTOR GS40	GS40 MOTOR TURBINE
DH.642	TAPA MOTOR	MOTOR LID
H25807	ABRAZADERA 25-40	25-40 CLAMP
V...63	ABRAZADERA 20-32	20-32 CLAMP
V.206	TUBO DESAGÜE CON CODO	WITH ELBOW OUTLET PIPE
V..448	TUBO PRESOSTATO-METRO 4X6	4X6 PRE.SWITCH INLET PIPE
V..861	TUBO GOMA 12X22mm 20ATM	20ATM 12X22mm RUBBER PIPE



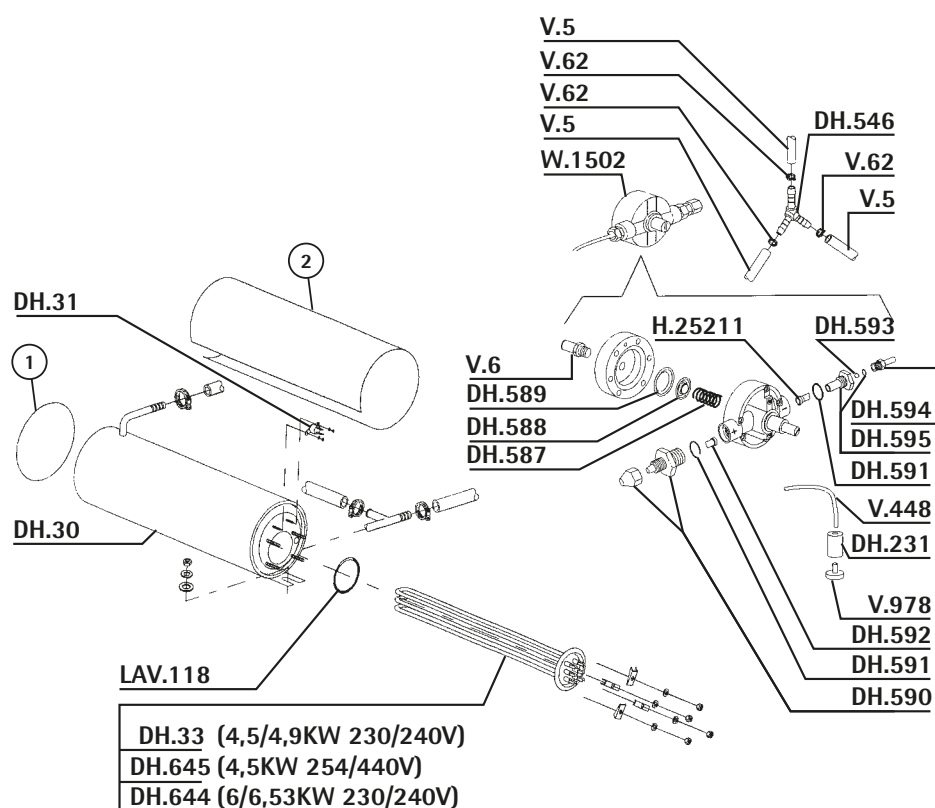
REF.	DESCRIPCIÓN	DESCRIPTION
DH..57	TUBO ACLARADO IZQUIERDO	LEFT RINSE PIPE
DH.120	TUERCA	NUT
DH.242	RACOR	FITTING
DH.425	ESFERA TEFLON	TEFLON SPHERE
DH.450	REDUCTOR	REDUCER
ELT.72	RACOR DEPOSITO SAL	FITTING SALT CONTAINER
LAV407	TAPON DEPOSITO SAL	SALT TANK CAP
LAV726	JUNTA GOMA BOTELLA SAL	BOTTLE SALT RUBBER GASKET
LAV900	DEPURADOR LAVATAZAS	WASHING CUP PURIFIER
LAV901	DEPOSITO SAL COMPLETO	SALT CONTAINER
P.130	TORICA EPDM	RING
V...5	TUBO GOMA 10X16 20 ATM	20ATM 10X17 RUBBER PIPE
V..62	ABRAZADERA 12-20	12-20 CLAMP





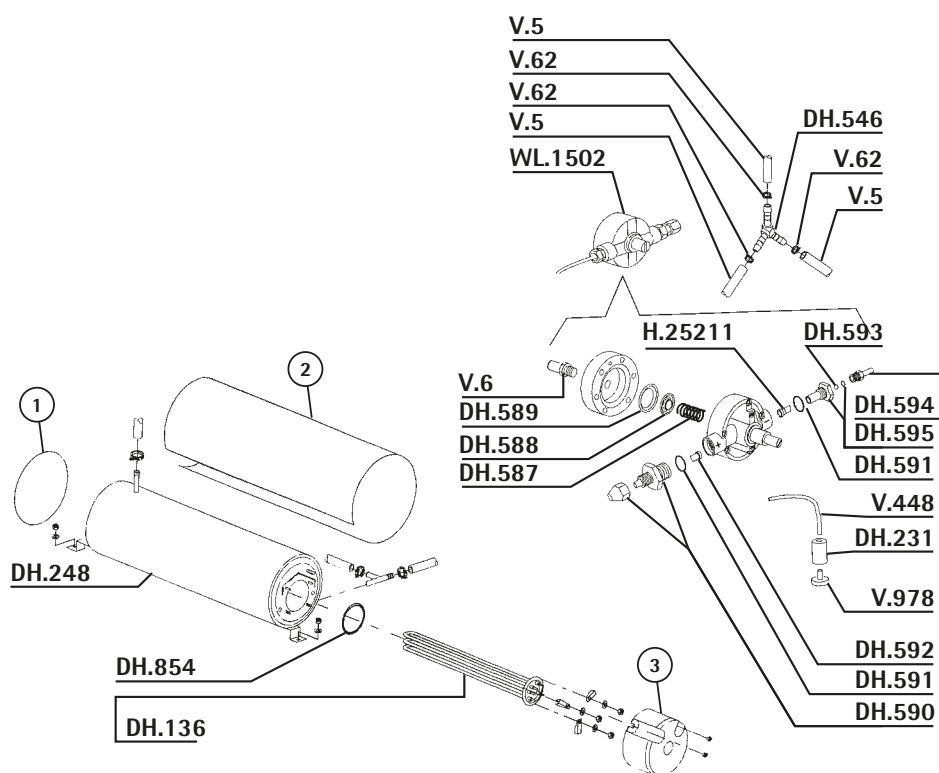
REF.	DESCRIPCIÓN	DESCRIPTION
DH..31	TERMOSTATO SEGURIDAD 110° C	110° C SAFETY THERMOSTAT
DH.231	PESO FILTRO	FILTER FITTING
DH.393	CALDERIN TEKNO 4	TEKNO 4 BOILER
DH.394	RESISTENC.CALDERIN 4000W	4000W BOILER RESISTANCE
DH.546	RACOR 10MM	RACCORD 10MM
DH.548	RESISTENCIA 2800W 230V	RESISTANCE 2800W 230V
DH.587	MUELLE DOSIFICADOR ABRILLANTAD	RINSE AID SPRING
DH.588	DISCO MEMBRANA	MEMBRANE DISK
DH.589	MEMBRANA SILICONA	SILICONE MEMBRANE
DH.590	RACOR ASPIRACION	SUCTION FITTING
DH.591	JUNTA DOSIFICADOR ABRILLANTADO	RINSE AID DOSIMETER GASKET
DH.592	VALVULA SILICONA	SILICONE VALVE
DH.593	ESFERA TEFLON	TEFLON SPHERE
DH.594	RACOR LATON DOSIFICADOR ABRILL	RINSE AID SPRING
DH.595	GUIA VALVULA	VALVE GUIDE
H25211	VALVULA ABRILLANTADOR	VALVE
LR..45	TORICA GOMA	RUBBER RING
V...5	TUBO GOMA 10X16 20 ATM	20ATM 10X17 RUBBER PIPE
V...6	RACOR DOSIF.ABRILL.D=10mm	D=10mm DOSIMETER FITTING
V...62	ABRAZADERA 12-20	12-20 CLAMP
V.448	TUBO PRESOSTATO-METRO 4X6	4X6 PRE.SWITCH INLET PIPE
V.978	FILTRO DOSIFICADOR	DOSIMETER FILTER
WL1502	DOSIFICADOR ABRILLANTADOR	RINSE AID DOSIMETER

Calderín / Dosificador abrillantador ELECTRON 500 ■ ELECTRON 500 Rinse aid / Boiler

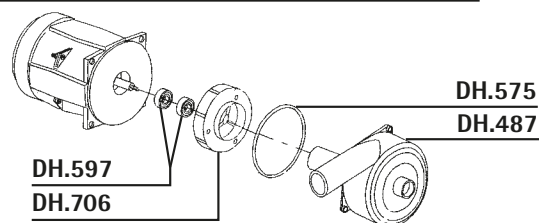
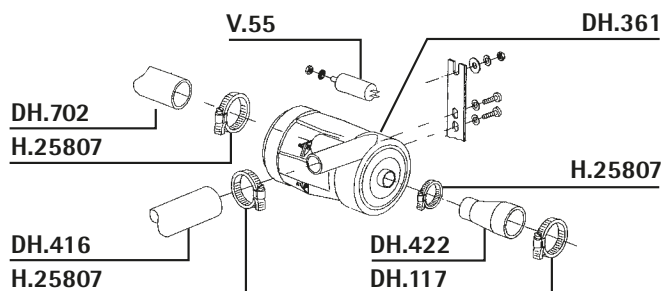
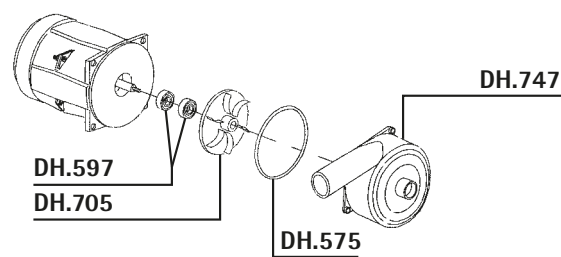
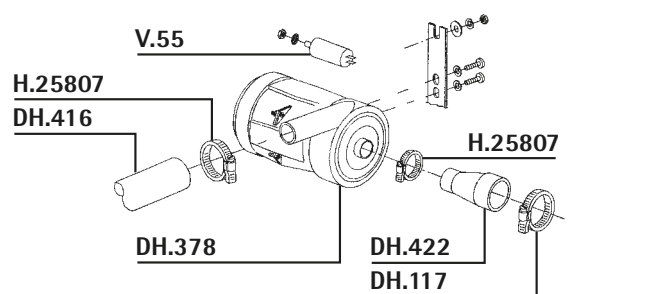


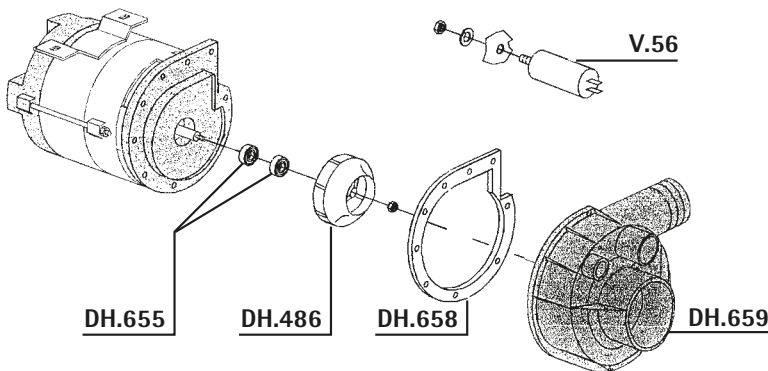
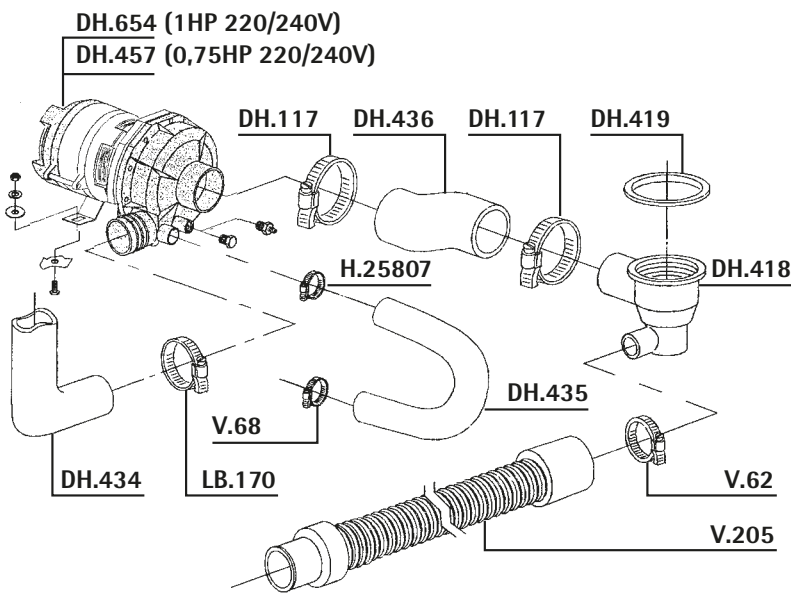
REF.	DESCRIPCIÓN	DESCRIPTION
DH..30	CALDERIN	BOILER
DH..31	TERMOSTATO SEGURIDAD 110° C	110° C SAFETY THERMOSTAT
DH..33	RESIST.CALDERIN 4500W/220V	4500W BOILER RESISTANCE
DH.231	PESO FILTRO	FILTER FITTING
DH.546	RACOR 10MM	RACCORD 10MM
DH.587	MUELLE DOSIFICADOR ABRILLANTAD	RINSE AID SPRING
DH.588	DISCO MEMBRANA	MEMBRANE DISK
DH.589	MEMBRANA SILICONA	SILICONE MEMBRANE
DH.590	RACOR ASPIRACION	SUCTION FITTING
DH.591	JUNTA DOSIFICADOR ABRILLANTADO	RINSE AID DOSIMETER GASKET
DH.592	VALVULA SILICONA	SILICONE VALVE
DH.593	ESFERA TEFLON	TEFLON SPHERE
DH.594	RACOR LATON DOSIFICADOR ABRILL	RINSE AID SPRING
DH.595	GUIA VALVULA	VALVE GUIDE
DH.644	RESISTENCIA 6/6,53KW 230/240V	RESISTANCE 6/6 53Kw 230/240V
DH.645	RESISTENCIA 4,5KW 254/440V	RESISTENCE 4,5KW 254/440V
H25211	VALVULA ABRILLANTADOR	VALVE
LAV118	TORICA GOMA	RING
V...5	TUBO GOMA 10X16 20 ATM	20ATM 10X17 RUBBER PIPE
V...6	RACOR DOSIF.ABRILL.D=10mm	D=10mm DOSIMETER FITTING
V...62	ABRAZADERA 12-20	12-20 CLAMP
V.448	TUBO PRESOSTATO-METRO 4X6	4X6 PRE.SWITCH INLET PIPE
V.978	FILTRO DOSIFICADOR	DOSIMETER FILTER
WL1502	DOSIFICADOR ABRILLANTADOR	RINSE AID DOSIMETER

REF.	DESCRIPCIÓN	DESCRIPTION
DH.136	RESIST.CALDERIN 6000W 230V	6000W 230V BOILER RESISTANCE
DH.231	PESO FILTRO	FILTER FITTING
DH.248	CALDERIN	BOILER
DH.546	RACOR 10MM	RACCORD 10MM
DH.587	MUELLE DOSIFICADOR ABRILLANTAD	RINSE AID SPRING
DH.588	DISCO MEMBRANA	MEMBRANE DISK
DH.589	MEMBRANA SILICONA	SILICONE MEMBRANE
DH.590	RACOR ASPIRACION	SUCTION FITTING
DH.591	JUNTA DOSIFICADOR ABRILLANTADO	RINSE AID DOSIMETER GASKET
DH.592	VALVULA SILICONA	SILICONE VALVE
DH.593	ESFERA TEFLON	TEFLON SPHERE
DH.594	RACOR LATON DOSIFICADOR ABRILL	RINSE AID SPRING
DH.595	GUIA VALVULA	VALVE GUIDE
DH.854	JUNTA RESISTENCIA	RESISTANCE GASKET
H25211	VALVULA ABRILLANTADOR	VALVE
V....5	TUBO GOMA 10X16 20 ATM	20ATM 10X17 RUBBER PIPE
V....6	RACOR DOSIF.ABRILL.D=10mm	D=10mm DOSIMETER FITTING
V...62	ABRAZADERA 12-20	12-20 CLAMP
V..448	TUBO PRESOSTATO-METRO 4X6	4X6 PRE.SWITCH INLET PIPE
V..978	FILTRO DOSIFICADOR	DOSIMETER FILTER
WL1502	DOSIFICADOR ABRILLANTADOR	RINSE AID DOSIMETER



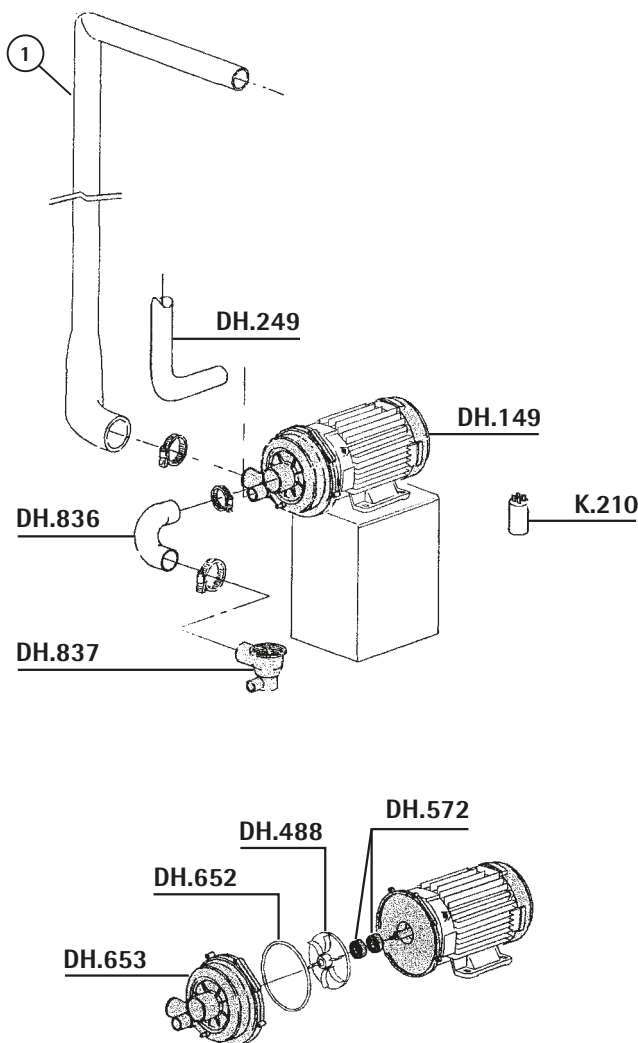
REF.	DESCRIPCIÓN	DESCRIPTION
DH.117	ABRAZADERA 46-70	46-70 CLAMP
DH.361	MOTOR 0.30HP 3 VIAS	3 WAYS 0.30HP MOTOR
DH.378	MOTOR 0.33HP	0.33HP MOTOR
DH.416	MANGUITO	SLEEVE
DH.422	MANGUITO	SLEEVE
DH.487	TAPA MOTOR DH.361	DH.361 MOTOR LID
DH.575	JUNTA MOTOR	MOTOR GASKET
DH.597	RETEN MOTOR DH105	MOTOR MECHANICAL SEAL
DH.702	TUBO BOMBA ASPIRACION	PIPE PUMP
DH.705	JUNTA TAPA MOTOR	MOTOR LID GASKET
DH.706	COLECTOR INFERIOR	LOWER COLECTOR
DH.747	TAPA MOTOR	MOTOR LID
H25807	ABRAZADERA 25-40	25-40 CLAMP
V...55	CONDENSADOR 10 MF 220V	220V 10MF.CONDENSER





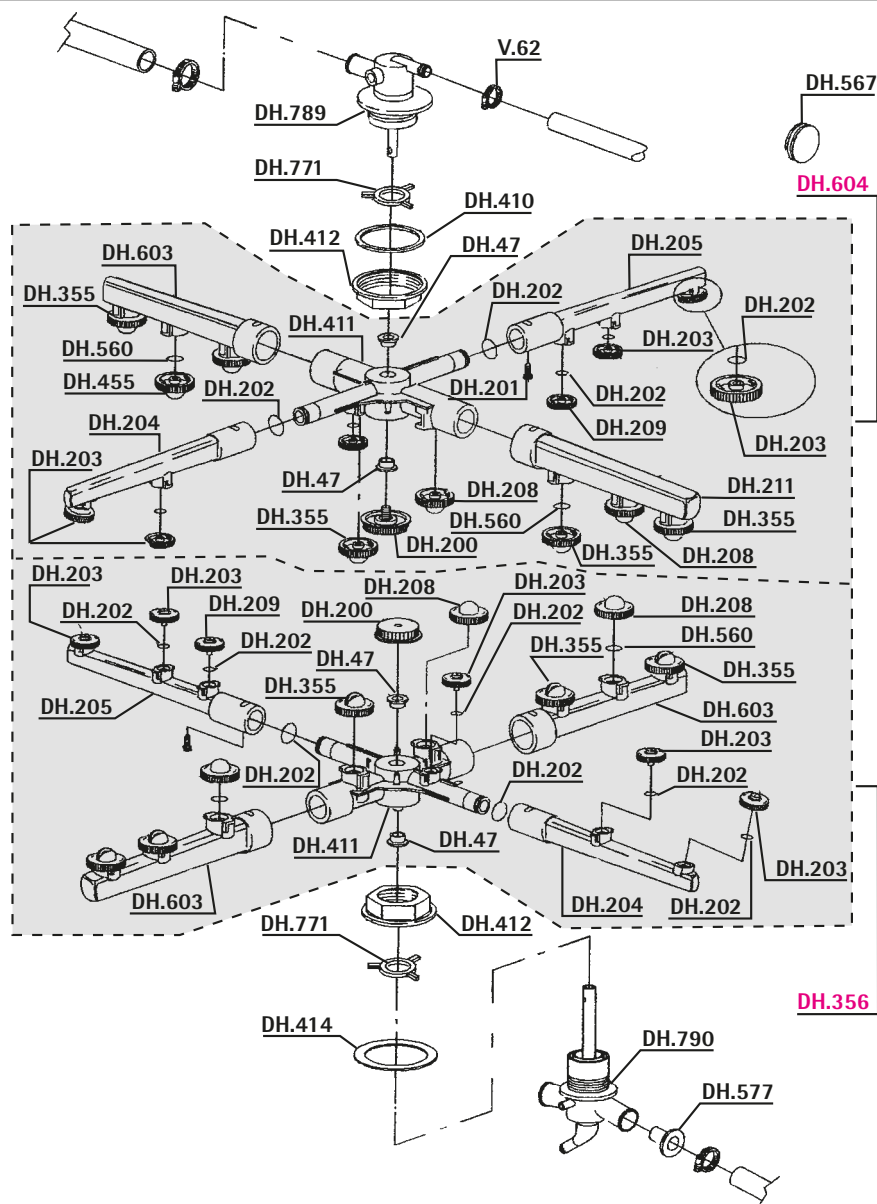
REF.	DESCRIPCIÓN	DESCRIPTION
DH.117	ABRAZADERA 46-70	46-70 CLAMP
DH.418	RACOR	FITTING
DH.419	JUNTA GOMA	RUBBER GASKET
DH.434	MANGUITO	SLEEVE
DH.435	MANGUITO	SLEEVE
DH.436	MANGUITO	SLEEVE
DH.457	MOTOR 0.75HP	0.75 MOTOR
DH.486	TURBINA MOTOR DH.451/457/486	DH.451/457/486 MOTOR TURBINE
DH.654	MOTOR 1HP 220/240V AC 50HZ	1HP 220/240V AC 50HZ MOTOR
DH.655	RETEN MOTOR	MOTOR MECHANICAL SEAL
DH.658	JUNTA TAPA MOTOR	MOTOR LID GASKET
DH.659	TAPA MOTOR GS50	GS50 MOTOR LID
H25807	ABRAZADERA 25-40	25-40 CLAMP
LB.170	ABRAZADERA 40-60	40-60 CLAMP
V...56	CONDENSADOR 12,5 MF 220V	12,5MF 220V CONDENSER
V...62	ABRAZADERA 12-20	12-20 CLAMP
V...68	ABRAZADERA 32-50	35-50 CLAMP
V.205	DESAGÜE EXTENSIB.2mt.22x28mm	2mt EXTENSIBLE OUT PIPE

Motor ELECTRON 1000 ■ ELECTRON 1000 Motor

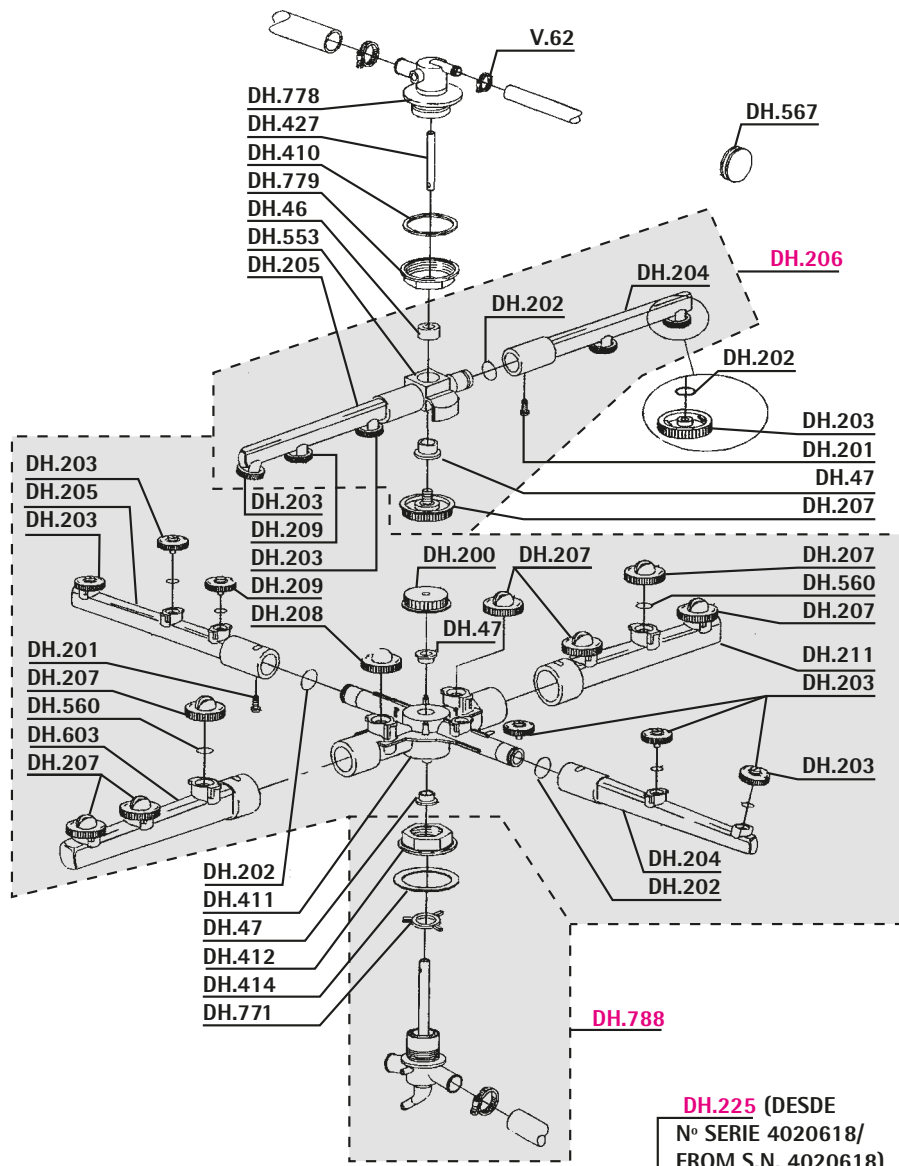


REF.	DESCRIPCIÓN	DESCRIPTION
DH.149	MOTOR 1,5 HP GS 120W	1.5 HP GS120W MOTOR
DH.249	MANGUITO	SLEEVE
DH.488	TURBINA MOTOR DH.149	DH.149 MOTOR TURBINE
DH.572	RETEN	MECHANICAL SEAL
DH.652	JUNTA TAPA MOTOR	MOTOR LID GASKET
DH.653	TAPA MOTOR GS85	GS85 MOTOR LID
DH.836	TUBO	PIPE
DH.837	COLECTOR INFERIOR	LOWER COLECTOR
K..210	CONDENSADOR 16 MF. 220V	16 MF. 220V CONDENSER

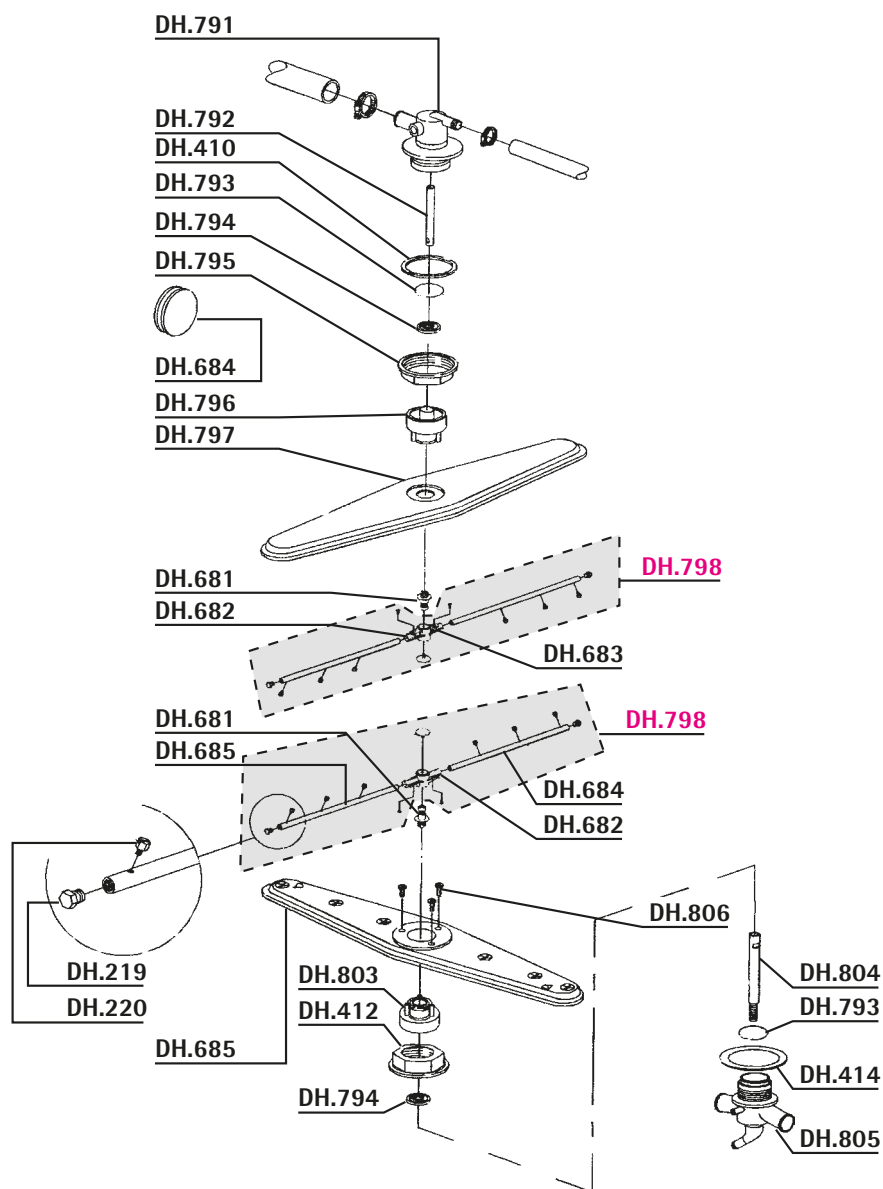
REF.	DESCRIPCIÓN	DESCRIPTION
DH..47	CASQUILLO PLASTICO	CAP
DH.200	FIJACION ACLARADO SUP.	UPPER RINSE FIRMNESS SCREW
DH.201	TORNILLO	SCREW
DH.202	TORICA VITON	VITON RING
DH.203	ROCIADOR ACLARADO	RINSE SPRAY
DH.204	TUBO IZDO.ACLARADO SUP.	UPPER RINSE LEFT PIPE
DH.205	TUBO DRCH.ACLARADO SUP.	UPPER RIGHT RINSE PIPE
DH.208	ROCIADOR LAVADO CIEGO	BLIND WASHING SPRAY
DH.209	ROCIADOR ACLARADO CIEGO	BLIND RINSE SPRAY
DH.211	TUBO LAVADO IZQUIERDO	WASHING LEFT PIPE
DH.355	ROCIADOR LAVADO	WASHING SPRAY
DH.356	ASTA LAVADO-ACLARADO INF.	LOWER WASH-RINSE ARM
DH.410	JUNTA GOMA	RUBBER GASKET
DH.411	CRUCETA	CROSSHAD
DH.412	TUERCA	NUT
DH.414	JUNTA GOMA	RUBBER GASKET
DH.455	ARBOL ACLARADO	LEFT RINSE ARM
DH.560	JUNTA DIFUSOR	SPRAY GASKET
DH.567	JUNTA	GASKET
DH.577	CASQUILLO	CAP
DH.603	TUBO DERECHO LAVADO GS40	GS40 RIGHT WASHER PIPE
DH.604	GIRATORIO LAVADO COMPLETO GS40	GS40 COMPLETE WASHER GIRATORY
DH.771	GUIA TUBO	PIPE GUIDE
DH.789	TORRETA SUPERIOR	UPPER TURRET
DH.790	TORRETA INFERIOR	LOWER TURRET
V..62	ABRAZADERA 12-20	12-20 CLAMP



REF.	DESCRIPCIÓN	DESCRIPTION
DH..46	ANILLO EJE	ROD RING
DH..47	CASQUILLO PLASTICO	CAP
DH.200	FIJACION ACLARADO SUP.	UPPER RINSE FIRMNESS SCREW
DH.201	TORNILLO	SCREW
DH.202	TORICA VITON	VITON RING
DH.203	ROCIADOR ACLARADO	RINSE SPRAY
DH.204	TUBO IZDO.ACLARADO SUP.	UPPER RINSE LEFT PIPE
DH.205	TUBO DRCH.ACLARADO SUP.	UPPER RIGHT RINSE PIPE
DH.206	ASTA ACLARADO SUPERIOR	UPPER RINSE ARM
DH.207	ROCIADOR LAVADO	WASHING SPRAY
DH.208	ROCIADOR LAVADO CIEGO	BLIND WASHING SPRAY
DH.209	ROCIADOR ACLARADO CIEGO	BLIND RINSE SPRAY
DH.211	TUBO LAVADO IZQUIERDO	WASHING LEFT PIPE
DH.225	GIRATORIO COMPLETO	COMPLET GIRATORY
DH.410	JUNTA GOMA	RUBBER GASKET
DH.411	CRUCETA	CROSSHAD
DH.412	TUERCA	NUT
DH.414	JUNTA GOMA	RUBBER GASKET
DH.427	EJE	ROD
DH.553	UNION GIRATORIO	GIRATORY JUNCTION
DH.560	JUNTA DIFUSOR	SPRAY GASKET
DH.567	JUNTA	GASKET
DH.603	TUBO DERECHO LAVADO GS40	GS40 RIGHT WASHER PIPE
DH.771	GUIA TURBO	PIPE GUIDE
DH.778	TORRETA SUPERIOR	UPPER TURRET
DH.779	TUERCA TORRETA	TURRET NUT
DH.788	CONJUNTO TORRETA TEKNO 4	TEKNO 4 TURRET WHOLE
V..62	ABRAZADERA 12-20	12-20 CLAMP

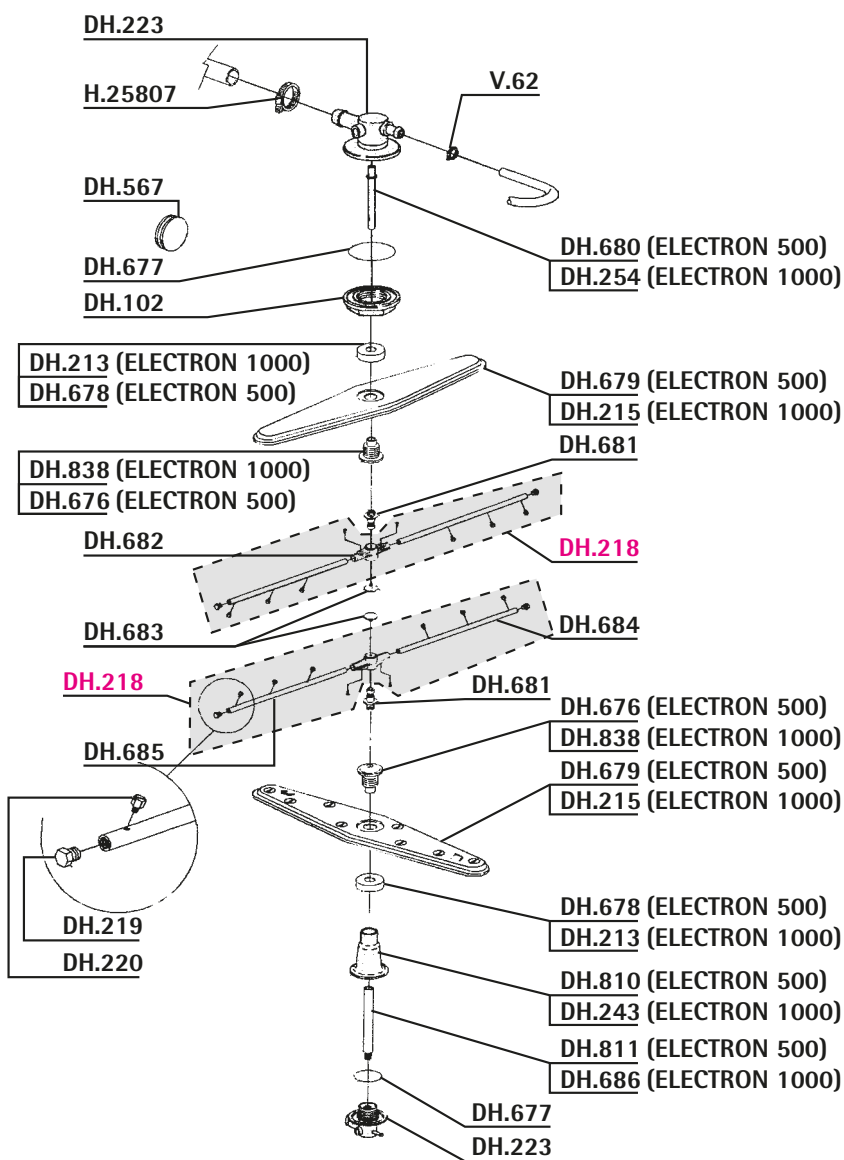


DH.225 (DESDE
Nº SERIE 4020618/
FROM S.N. 4020618)



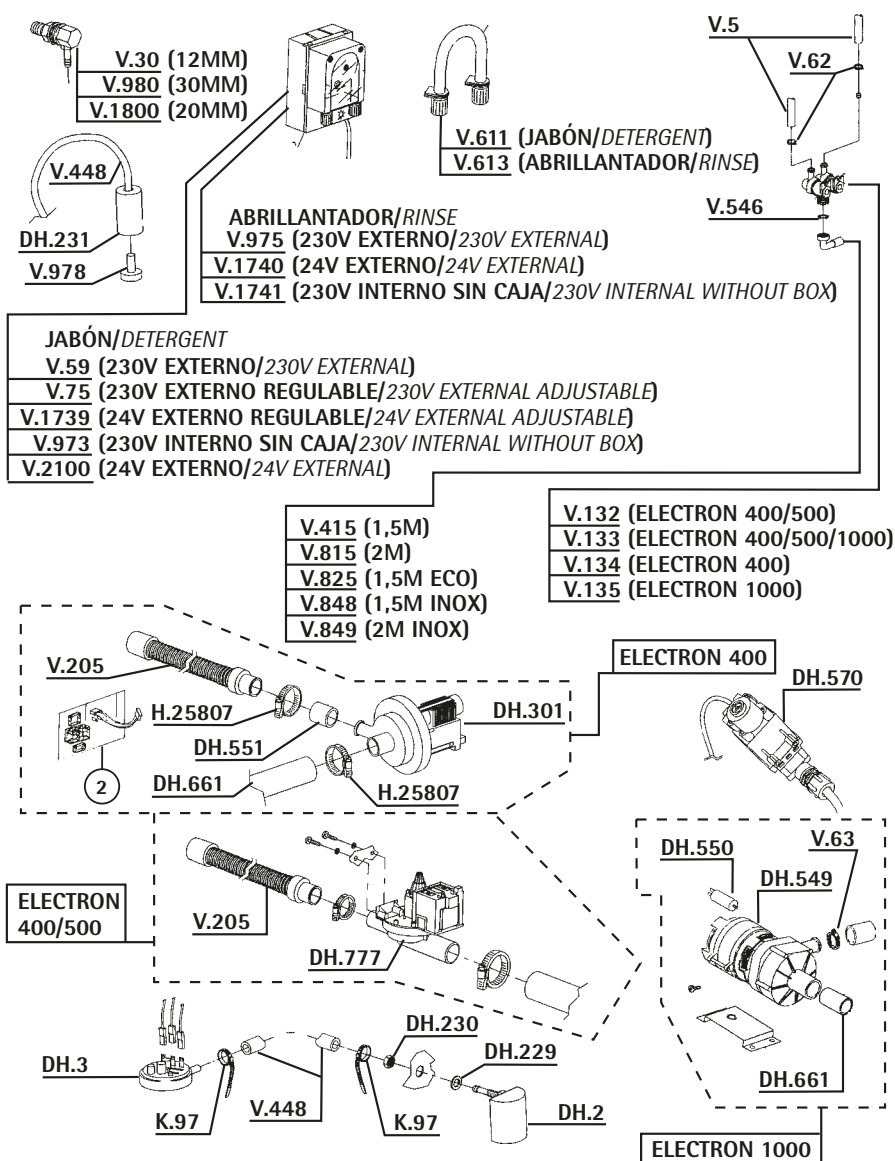
REF.	DESCRIPCIÓN	DESCRIPTION
DH.219	TAPON ARBOL ACLARADO	RINSE ARM CAP
DH.220	ROCIADOR ACLARADO	RINSE SPRAY
DH.410	JUNTA GOMA	RUBBER GASKET
DH.412	TUERCA	NUT
DH.414	JUNTA GOMA	RUBBER GASKET
DH.681	SOPORTE GIRATORIO INFERIOR	LOWER GIRATORY INFERIEUR
DH.682	UNION GIRATORIO	GIRATORY UNION
DH.683	TORNILLO GIRATORIO	GIRATORY SCREW
DH.684	BRAZO GIRATORIO DERECHO INOX	INOX RIGHT GIRATORY ARM
DH.685	BRAZO GIRATORIO IZQUIERDO INOX	INOX LEFT GIRATORY ARM
DH.791	TORRETA SUPERIOR	UPPER TURRET
DH.792	EJE SUPERIOR	UPPER ROD
DH.793	ANILLO DISTANCIADOR	DISTANCIER RING
DH.794	GUIA TUBO	PIPE GUIDE
DH.795	TUERCA	NUT
DH.796	ADAPTADOR SUPERIOR	UPPER ADAPTOR
DH.797	GIRATORIO LAVADO SUPERIOR	UPPER WASHER GIRATORY
DH.798	GIRATORIO COMPLETO ACLARADO	RINSE COMPLET GIRATORY
DH.803	ADAPTADOR GIRATORIO	GIRATORY ADAPTOR
DH.804	EJE	ROD
DH.805	TORRETA INFERIOR	LOWER TURRET
DH.806	TORNILLO 2,9x13	2,9x13 SCREW

Lavado / Aclarado ELECTRON 500 / ELECTRON 1000 ■ ELECTRON 400 / ELECTRON 1000 Rinse / Wash



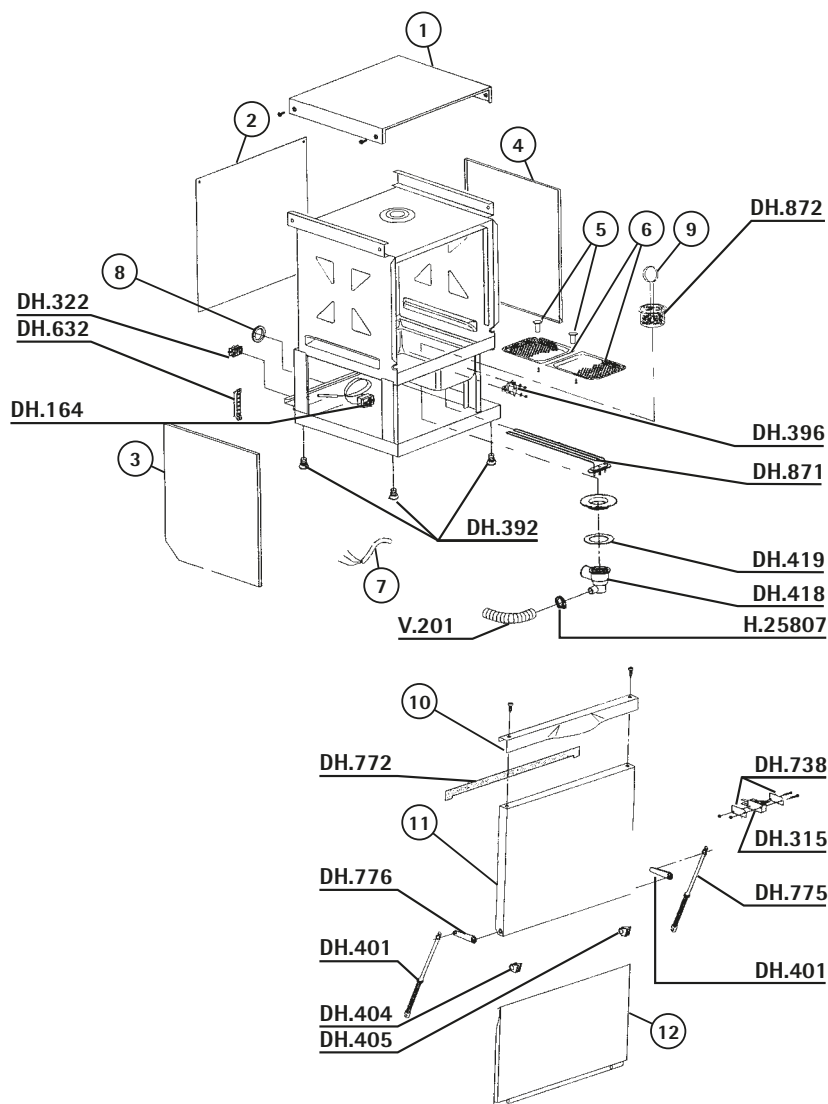
REF.	DESCRIPCIÓN	DESCRIPTION
DH.102	FIJACION RACORD SUPERIOR	UPPER FITTING FIRMNESS
DH.213	ARANDELA	WASHER
DH.215	ASTA LAVADO	WASHING ARM
DH.218	ARBOL ACLARADO	RINSE ARM
DH.219	TAPON ARBOL ACLARADO	RINSE ARM CAP
DH.220	ROCIADOR ACLARADO	RINSE SPRAY
DH.223	COLECTOR	COLLECTOR
DH.243	DISTANCIAL	DISTANCIER
DH.254	EJE	ROD
DH.567	JUNTA	GASKET
DH.676	TUERCA GIRATORIO INOX	INOX GIRATORY NUT
DH.677	JUNTA COLECTOR INFERIOR	LOWER COLECTOR GASKET
DH.678	TUERCA GIRATORIO INOX SUPERIOR	UPPER INOX GIRATORY NUT
DH.679	GIRATORIO LAVADO GS45	GS45 WASHER GIRATORY
DH.680	EJE SUPERIOR	UPPER ROD
DH.681	SOPORTE GIRATORIO INFERIOR	LOWER GIRATORY INFERIEUR
DH.682	UNION GIRATORIO	GIRATORY UNION
DH.683	TORNILLO GIRATORIO	GIRATORY SCREW
DH.684	BRAZO GIRATORIO DERECHO INOX	INOX RIGHT GIRATORY ARM
DH.685	BRAZO GIRATORIO IZQUIERDO INOX	INOX LEFT GIRATORY ARM
DH.686	EJE INFERIOR	LOWER ROD
DH.810	TORRETA INFERIOR	LOWER TURRET
DH.811	EJE INFERIOR	LOWER ROD
DH.838	TUERCA GIRATORIO	GIRATORY NUT
H25807	ABRAZADERA 25-40	25-40 CLAMP
V...62	ABRAZADERA 12-20	12-20 CLAMP

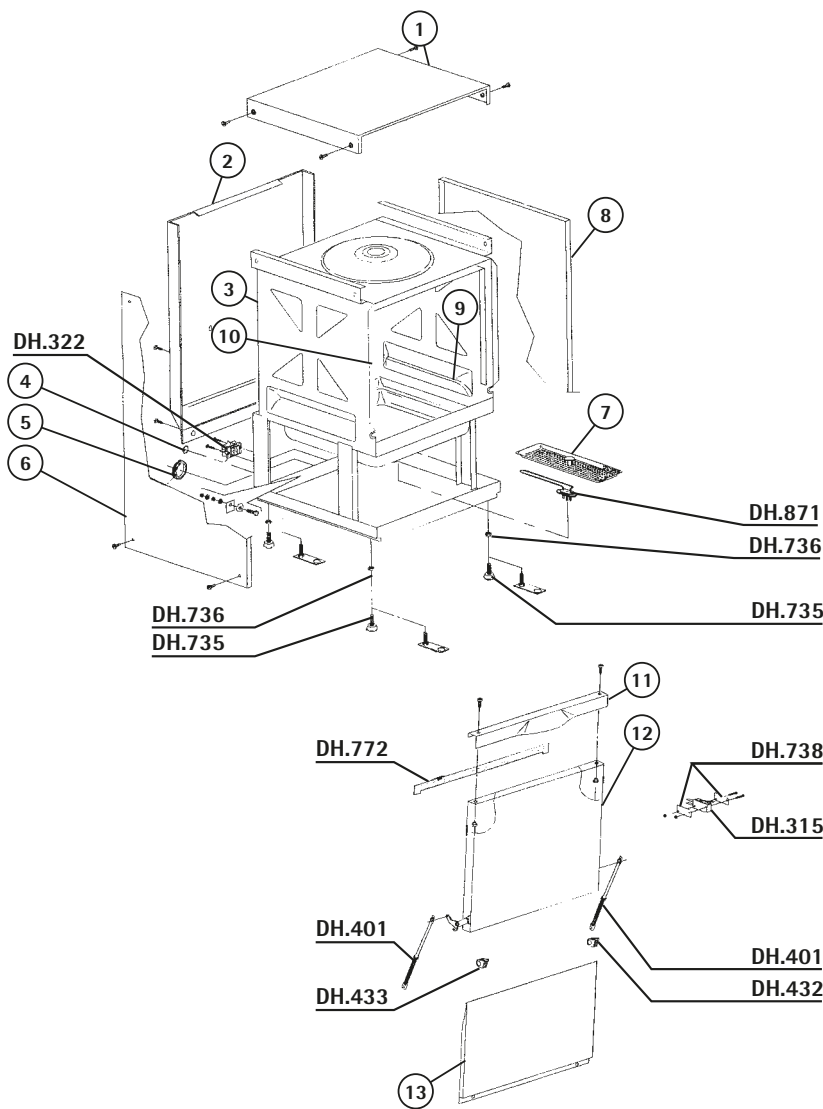
REF.	DESCRIPCIÓN	DESCRIPTION
DH...2	CAMARA PRESOSTATICA	PRESSURE SWITCH CHAMBER
DH...3	PRESOSTATO SAL	55/30 HORIZ.PRESS.SWITCH
DH.229	JUNTA ALIMENTARIA	ALIMENTARY GASKET
DH.230	TUERCA INOX	NUT
DH.231	PESO FILTRO	FILTER FITTING
DH.301	BOMBA DESAGÜE	OUTLET PUMP
DH.549	MOTOR 0,10 HP 230V 50HZ	MOTOR 0,10HP 230V 50HZ
DH.550	CONDENSADOR 5MF 450V	5MF 450V CONDENSER
DH.551	MANGUITO	SLEEVE
DH.570	DOSIFICADOR ABRILLANTADOR	RISE AND DOSSIMETER
DH.661	TUBO	PIPE
DH.777	BOMBA DESAGÜE	DRAIN PUMP
H25807	ABRAZADERA 25-40	25-40 CLAMP
K...97	BRIDA NYLON	5X24mm NYLON CLASP
V...5	TUBO GOMA 10X16 20 ATM	20ATM 10X17 RUBBER PIPE
V...30	RACOR ENTRADA JABON	INLET SOAP FITTING
V...59	DOSIFICADOR PERISTALTICO	DOSIMETER
V...62	ABRAZADERA 12-20	12-20 CLAMP
V...63	ABRAZADERA 20-32	20-35 CLAMP
V...75	DOSIF.PERISTALTICO REGULA	ADJUSTABLE DOSIMETER
V..132	ELECTROVAL.1 VIA LAV.220V	WASH 1 WAY 220V SOLENOID
V..133	ELECTROVAL.2 VIA LAV.220V	WASH 2 WAYS 220V SOLENOID
V..134	ELECTROVAL.3VIA LAV.220V	WASH 3 WAYS 220V SOLENOID
V..135	ELECTR.1 VIA SAL.VERTICAL	VERTICAL EXIT 1 WAY SOLEN
V..205	DESAGÜE EXTENSIB.2mt.22x28mm	2mt EXTENSIBLE OUT PIPE
V..415	TOMA LAVADORA 1,5M	QUALITY 1.5M.INLET W.FLEX
V..448	TUBO PRESOSTATO-METRO 4X6	4X6 PRE.SWITCH INLET PIPE
V..546	JUNTA GOMA 3/4	WATER INLET RUBBER GASKET
V..611	TUBO INTERIOR DOS.PER. JABON	RINS.AID INSIDE PIPE
V..613	TUBO INTERIOR DOS.PER.ABRILLAN	RINS.AID INSIDE PIPE
V..815	TOMA LAVADORA 2 METROS	2 MT.INLET WATER FLEXIBLE
V..825	TOMA LAVADORA 1.5 "ECO"	"ECO"1.5M INLET WA.FLEXIB
V..848	TOMA LAVADORA 1.5M INOX	INOX 1.5M INLET WATER FL.
V..849	TOMA LAV.INOX 2MT.3/4X3/4	INOX 2MT.INLET WATER FLE.
V..973	DOSIFICADOR PERISTALTICO INTER	INTERNAL PERISTALTIC DOS.
V..975	DOSIFICADOR ABRILLANTADOR EXT.	EXTERNAL RINSE DOSIMETER
V..978	FILTRO DOSIFICADOR	DOSIMETER FILTER
V..980	RACOR ENTRADA JABON LARGO	LONG INLET FITTING
V.1739	DOSIF.PERISTAL.REGULABLE 24Vac	24Vac ADJUSTABLE DOSIMETER
V.1740	DOSIF.ABRILLAN.EXTERNO 24Vac	24Vac EXTERNAL RINSE DOSIMETER
V.1741	DOSIF.ABRILL.INTERNO 230V AC	230Vac INTERNAL RINSE DOSIMET
V.1800	RACOR ENTRADA JABON METALICO	METALIC DETER.INLET FITTING
V.2100	DOSIFICADOR PERISTAL.JABON 24V	24V SOAP DOSIMETER



Carrocería / Puerta / Filtro / Resistencia ELECTRON 400 CLEAN (Agua Pulida) ■ ELECTRON 400 CLEAN (Clean water) Resistance / Filter / Door / Bodywork

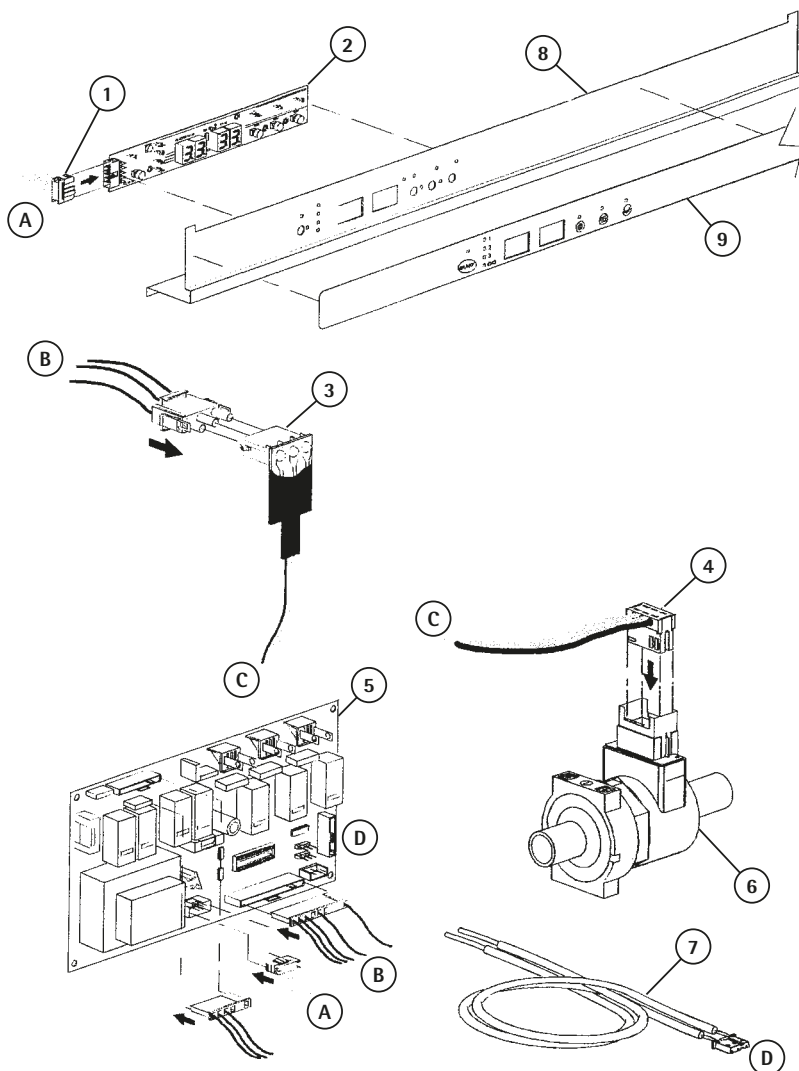
REF.	DESCRIPCIÓN	DESCRIPTION
DH.164	TERMOSTATO 0-90°	0-90° THERMOSTAT
DH.315	MICRO PUERTA 250V 16A	250V 16A DOOR MICROSWITCH
DH.322	INTERRUPTOR	SWITCH
DH.392	PATA	FOOT
DH.396	TERMOSTATO	THERMOSTAT
DH.401	MUELLE PUERTA	DOOR SPRING
DH.404	EJE BISAGRA DERECHA	RIGHT HINGE ROD
DH.405	EJE BISAGRA IZQUIERDA	LEFT HINGE ROD
DH.418	RACOR	FITTING
DH.419	JUNTA GOMA	RUBBER GASKET
DH.632	REGLETA 6 POLOS	CONNECTOR
DH.738	AISLANTE MICRO	MICRO ISILATE
DH.772	JUNTA PUERTA TEKNO 4	TEKNO 4 DOOR GASKET
DH.775	BISAGRA DERECHA PUERTA	DOOR RIGHT HINGE
DH.776	BISAGRA IZQUIERDA PUERTA	DOOR LEFT HINGE
DH.871	RESISTENCIA 0,4/0,44KW 230/240	0,4/0,44KW 230/240V RESISTANCE
DH.872	FILTRO BOMBA	PUMP FILTER
H25807	ABRAZADERA 25-40	25-40 CLAMP
V..201	TUBO DESAGÜE 28mm. 1,5mt.	28mm. 1.5mt OUTLET PIPE





REF.	DESCRIPCIÓN	DESCRIPTION
DH.315	MICRO PUERTA 250V 16A	250V 16A DOOR MICROSWITCH
DH.322	INTERRUPTOR	SWITCH
DH.401	MUELLE PUERTA	DOOR SPRING
DH.432	TOPE BISAGRA DERECHA	RIGHT HINGE STOP
DH.433	TOPE BISAGRA IZQUIERDA	LEFT HINGE STOP
DH.735	PATA DERBY	DERBY FOOT
DH.736	TUERCA PATA DERBY	NUT
DH.738	AISLANTE MICRO	MICRO ISILATE
DH.772	JUNTA PUERTA TEKNO 4	TEKNO 4 DOOR GASKET
DH.871	RESISTENCIA 0,4/0,44KW 230/240	0,4/0,44KW 230/240V RESISTANCE

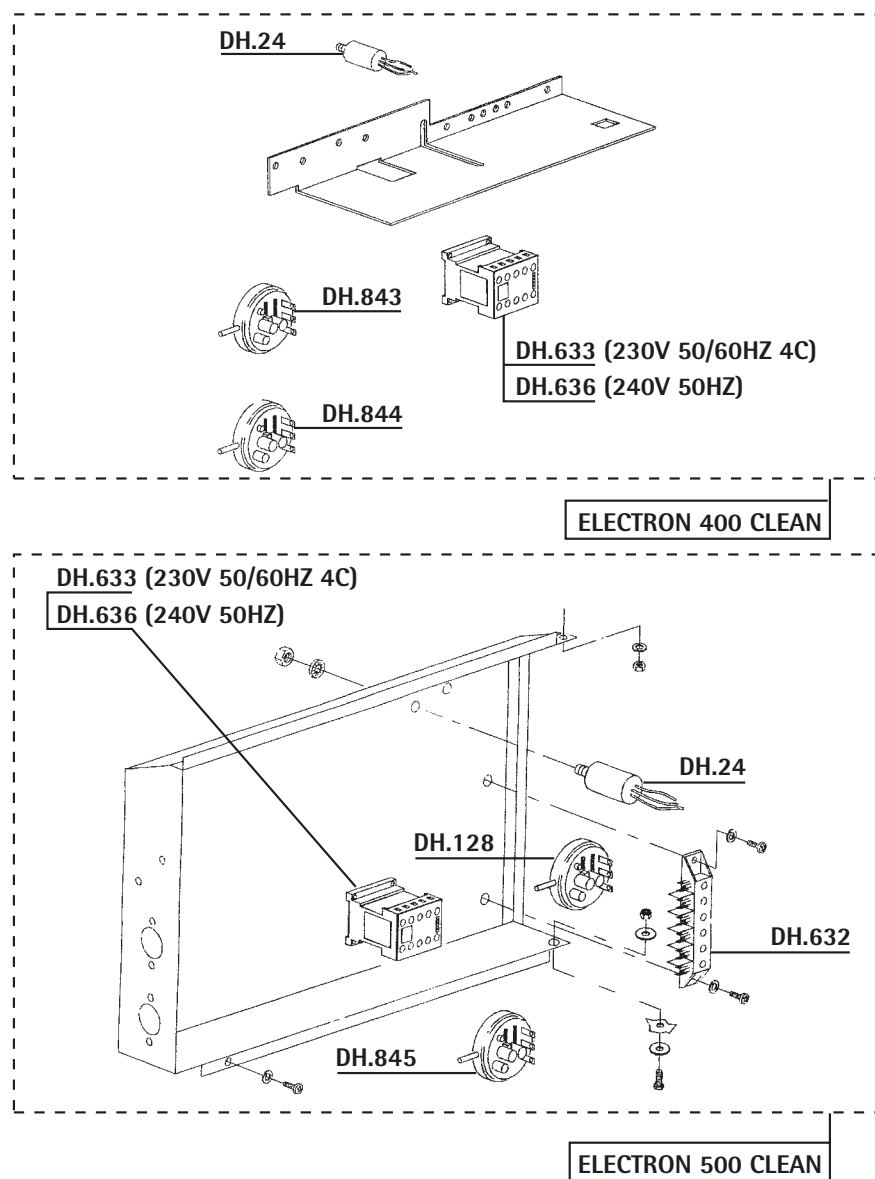
Panel demandas electrónico ELECTRO 400 CLEAN (Agua Pulida) / ELECTRON 500 CLEAN (Agua Pulida) ■ Electronic control panel



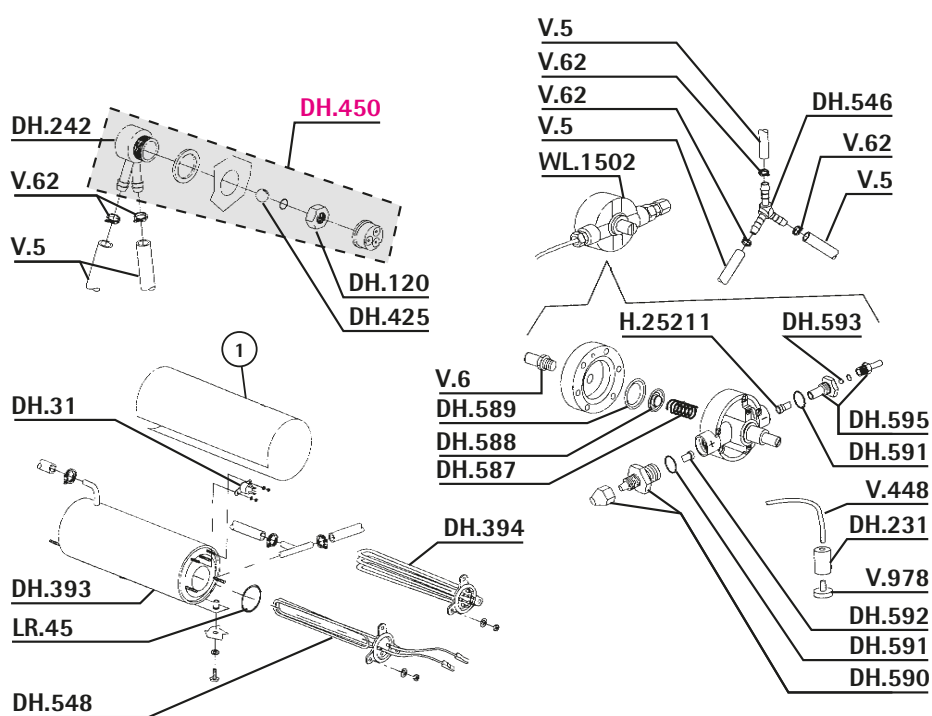
REF.	DESCRIPCIÓN	DESCRIPTION

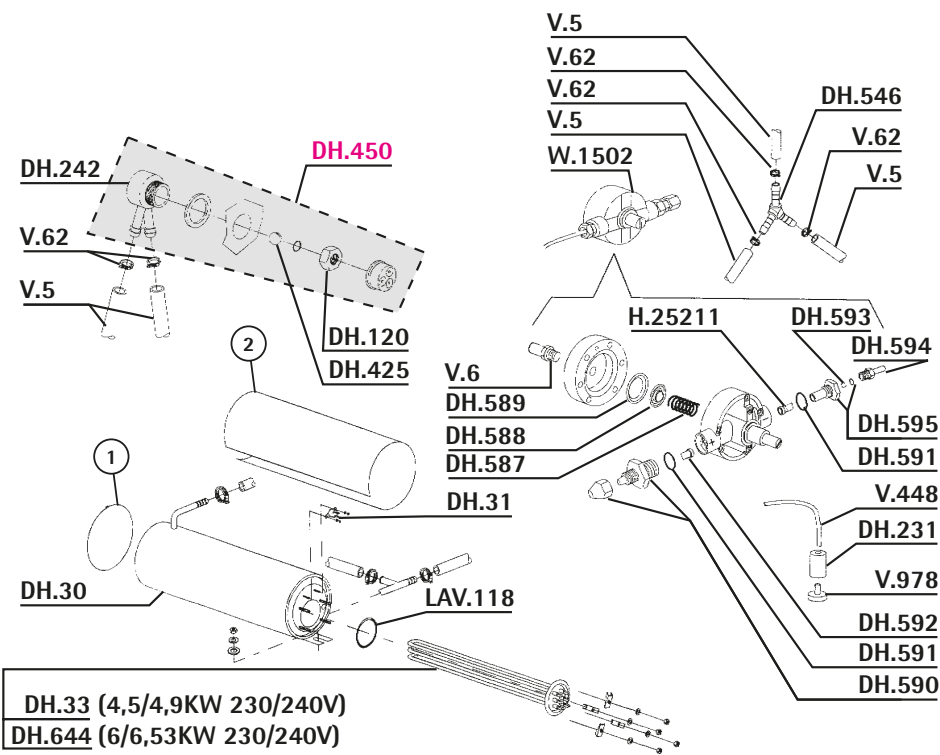


REF.	DESCRIPCIÓN	DESCRIPTION
DH..24	FILTRO ANTIPARASITARIO	ANTIPARASTIC FILTER
DH.128	PRESOSTATO SAL/HOR.76/38	76/38 HORIZ.PRESS.SWITCH
DH.632	REGLETA 6 POLOS	CONNECTOR
DH.633	CONTACTOR 230V 50/60HZ 4C	CONTACTOR 230V 50/60HZ 4C
DH.636	CONTACTOR 240V 50HZ	CONTACTOR
DH.843	PRESOSTATO 86-59	86-59 PRESSURE SWITCH
DH.844	PRESOSTATO 18-33	18-33 PRESSURE SWITCH
DH.845	PRESOSTATO 18-100	18-100 PRESSURE SWITCH

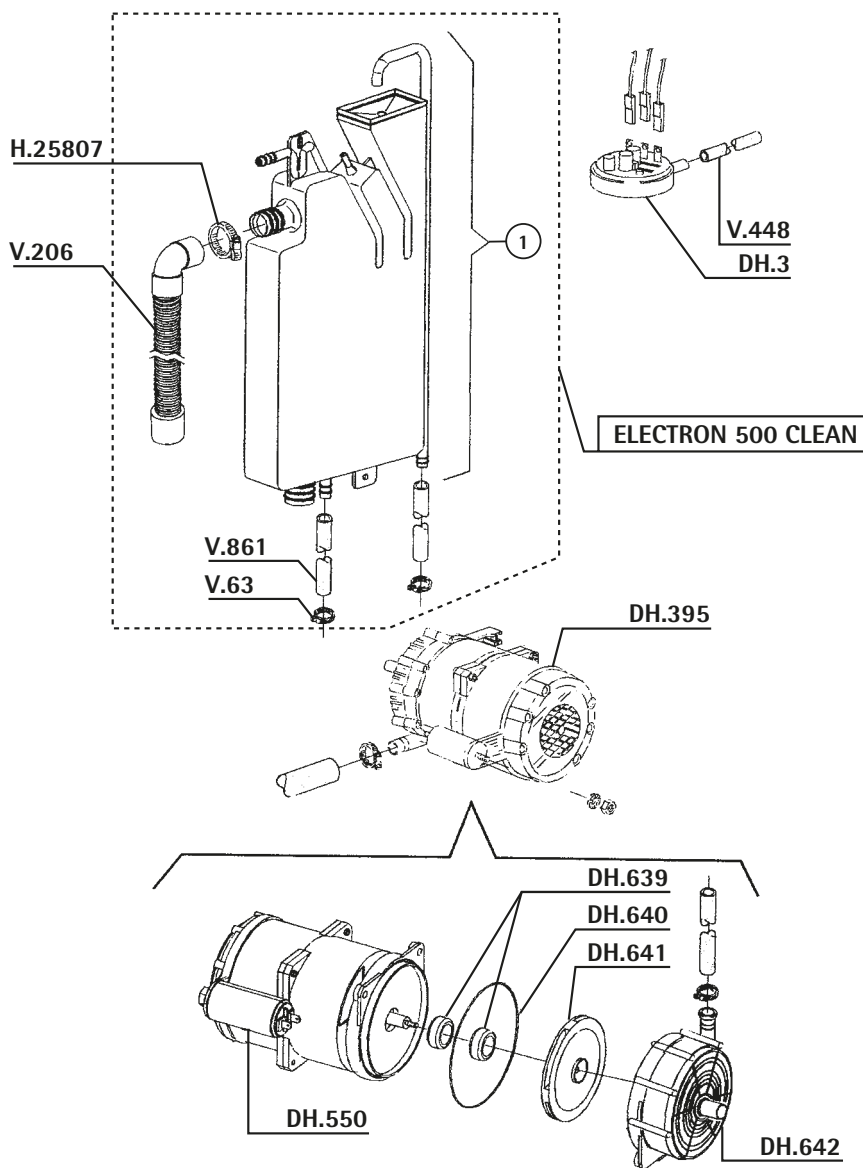


REF.	DESCRIPCIÓN	DESCRIPTION
DH..31	TERMOSTATO SEGURIDAD 110° C	110° C SAFETY THERMOSTAT
DH.120	TUERCA	NUT
DH.231	PESO FILTRO	FILTER FITTING
DH.242	RACOR	FITTING
DH.393	CALDERIN TEKNO 4	TEKNO 4 BOILER
DH.394	RESISTENC.CALDERIN 4000W	4000W BOILER RESISTANCE
DH.425	ESFERA TEFLON	TEFLON SPHERE
DH.450	REDUCTOR	REDUCER
DH.546	RACOR 10MM	RACCORD 10MM
DH.548	RESISTENCIA 2800W 230V	RESISTANCE 2800W 230V
DH.587	MUELLE DOSIFICADOR ABRILLANTAD	RINSE AID SPRING
DH.588	DISCO MEMBRANA	MEMBRANE DISK
DH.589	MEMBRANA SILICONA	SILICONE MEMBRANE
DH.590	RACOR ASPIRACION	SUCTION FITTING
DH.591	JUNTA DOSIFICADOR ABRILLANTADO	RINSE AID DOSIMETER GASKET
DH.592	VALVULA SILICONA	SILICONE VALVE
DH.593	ESFERA TEFLON	TEFLON SPHERE
DH.595	GUIA VALVULA	VALVE GUIDE
H25211	VALVULA ABRILLANTADOR	VALVE
LR..45	TORICA GOMA	RUBBER RING
V...5	TUBO GOMA 10X16 20 ATM	20ATM 10X17 RUBBER PIPE
V...6	RACOR DOSIF.ABRILL.D=10mm	D=10mm DOSIMETER FITTING
V..62	ABRAZADERA 12-20	12-20 CLAMP
V..448	TUBO PRESOSTATO-METRO 4X6	4X6 PRE.SWITCH INLET PIPE
V..978	FILTRO DOSIFICADOR	DOSIMETER FILTER
WL1502	DOSIFICADOR ABRILLANTADOR	RINSE AID DOSIMETER



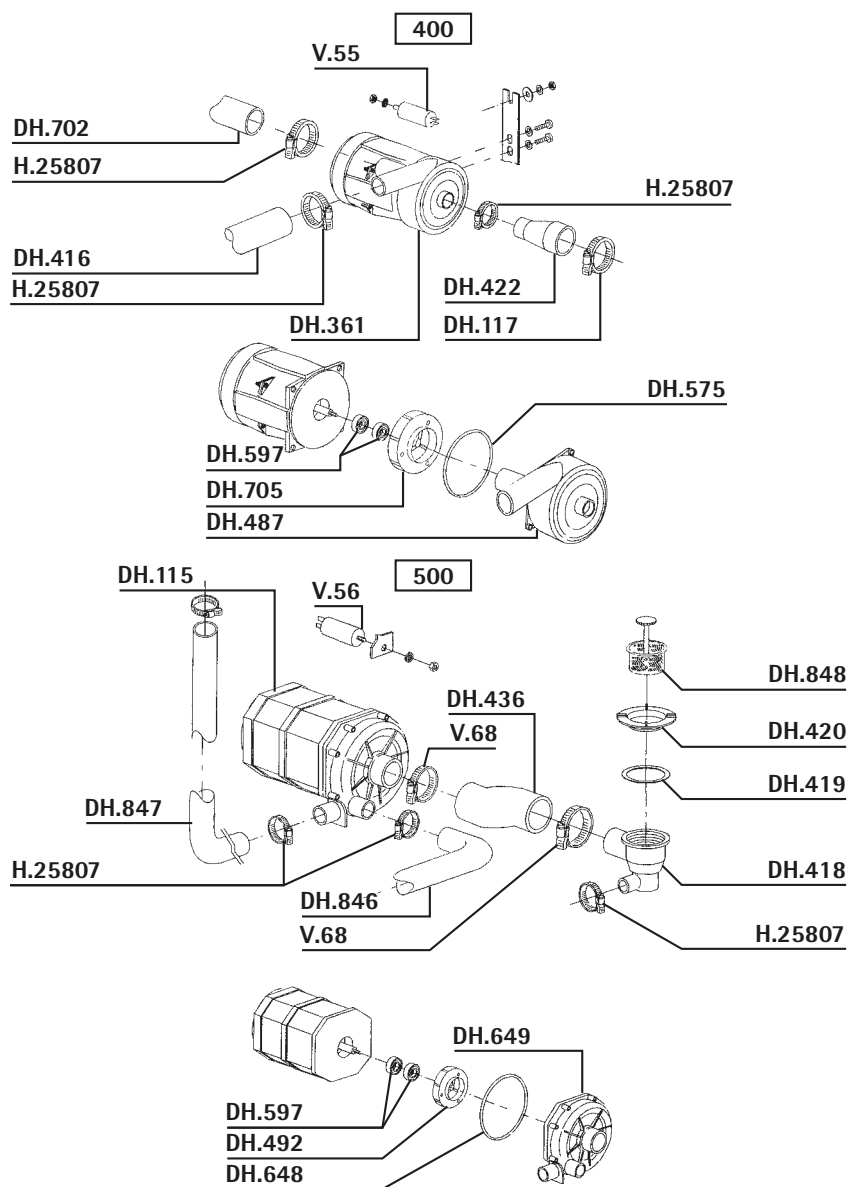


REF.	DESCRIPCIÓN	DESCRIPTION
DH..30	CALDERIN	BOILER
DH..31	TERMOSTATO SEGURIDAD 110° C	110° C SAFETY THERMOSTAT
DH..33	RESIST.CALDERIN 4500W/220V	4500W BOILER RESISTANCE
DH.120	TUERCA	NUT
DH.231	PESO FILTRO	FILTER FITTING
DH.242	RACOR	FITTING
DH.425	ESFERA TEFLON	TEFLON SPHERE
DH.450	REDUCTOR	REDUCER
DH.546	RACOR 10MM	RACCORD 10MM
DH.587	MUELLE DOSIFICADOR ABRILLANTAD	RINSE AID SPRING
DH.589	MEMBRANA SILICONA	SILICONE MEMBRANE
DH.590	RACOR ASPIRACION	SUCTION FITTING
DH.591	JUNTA DOSIFICADOR ABRILLANTADO	RINSE AID DOSIMETER GASKET
DH.592	VALVULA SILICONA	SILICONE VALVE
DH.593	ESFERA TEFLON	TEFLON SPHERE
DH.594	RACOR LATON DOSIFICADOR ABRILL	RINSE AID SPRING
DH.595	GUIA VALVULA	VALVE GUIDE
DH.644	RESISTENCIA 6/6,53KW 230/240V	RESISTANCE 6/6 53Kw 230/240V
H25211	VALVULA ABRILLANTADOR	VALVE
LAV118	TORICA GOMA	RING
V....5	TUBO GOMA 10X16 20 ATM	20ATM 10X17 RUBBER PIPE
V....6	RACOR DOSIF.ABRILL.D=10mm	D=10mm DOSIMETER FITTING
V...62	ABRAZADERA 12-20	12-20 CLAMP
V..448	TUBO 4X6mm	4x6mm PIPE
V..978	FILTRO DOSIFICADOR	DOSIMETER FILTER
WL1502	DOSIFICADOR ABRILLANTADOR	RINSE AID DOSIMETER

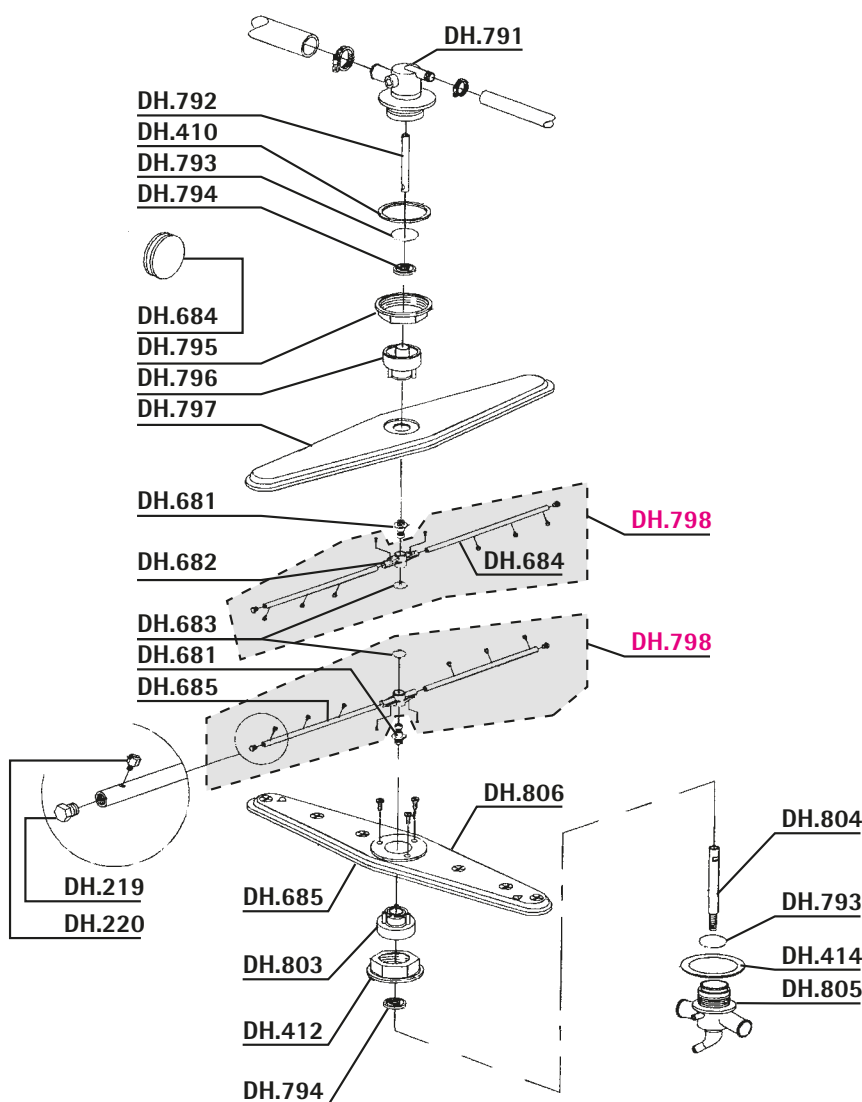


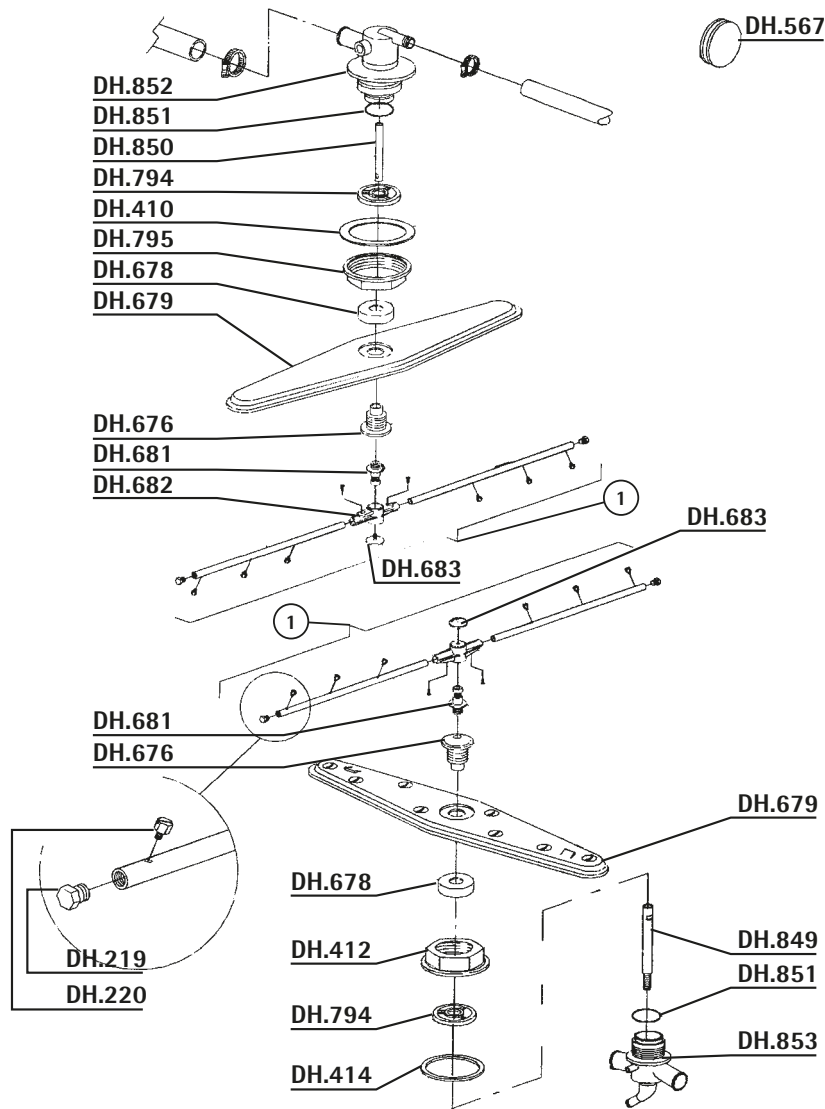
REF.	DESCRIPCIÓN	DESCRIPTION
DH...3	PRESOSTATO SAL	55/30 HORIZ.PRESS.SWITCH
DH.395	MOTOR	MOTOR
DH.550	CONDENSADOR 5MF 450V	5MF 450V CONDENSER
DH.639	RETEN MOTOR GS40	GS40 MOTOR MECHANICAL SEAL
DH.640	JUNTA MOTOR GS40	GS40 MOTOR GASKET
DH.641	TURBINA MOTOR GS40	GS40 MOTOR TURBINE
DH.642	TAPA MOTOR	MOTOR LID
H25807	ABRAZADERA 25-40	25-40 CLAMP
V...63	ABRAZADERA 20-32	20-35 CLAMP
V.206	TUBO DESAGÜE CON CODO	WITH ELBOW OUTLET PIPE
V..448	TUBO PRESOSTATO-METRO 4X6	4X6 PRE.SWITCH INLET PIPE
V..861	TUBO GOMA 12X22mm 20ATM	20ATM 12X22mm RUBBER PIPE

REF.	DESCRIPCIÓN	DESCRIPTION
DH.115	MOTOR 0,7 HP GS 50W	0.7 HP GS 50W MOTOR
DH.117	ABRAZADERA 46-70	46-70 CLAMP
DH.361	MOTOR 0.30HP 3 VIAS	3 WAYS 0.30HP MOTOR
DH.416	MANGUITO	SLEEVE
DH.418	RACOR	FITTING
DH.419	JUNTA GOMA	RUBBER GASKET
DH.420	BASE FILTRO	FILTER BASE
DH.422	MANGUITO	SLEEVE
DH.436	MANGUITO	SLEEVE
DH.487	TAPA MOTOR DH.361	DH.361 MOTOR LID
DH.492	TURBINA MOTOR DH.115/474	DH.115/474 MOTOR TURBINE
DH.575	JUNTA MOTOR	MOTOR GASKET
DH.597	RETEN MOTOR DH105	MOTOR MECHANICAL SEAL
DH.648	JUNTA TAPA MOTOR	MOTOR LID GASKET
DH.649	TAPA MOTOR GS45	GS45 MOTOR LID
DH.702	TUBO BOMBA ASPIRACION	PIPE PUMP
DH.705	JUNTA TAPA MOTOR	MOTOR LID GASKET
DH.846	TUBO BOMBA INFERIOR	LOWER PUMP PIPE
DH.847	TUBO BOMBA SUPERIOR	UPPER PUMP PIPE
DH.848	FILTRO ASPIRACION BOMBA	PUMP SUCTION FILTER
H25807	ABRAZADERA 25-40	25-40 CLAMP
V...55	CONDENSADOR 10 MF 220V	220V 10MF.CONDENSER
V...56	CONDENSADOR 12,5 MF 220V	12,5MF 220V CONDENSER
V...68	ABRAZADERA 32-50	35-50 CLAMP



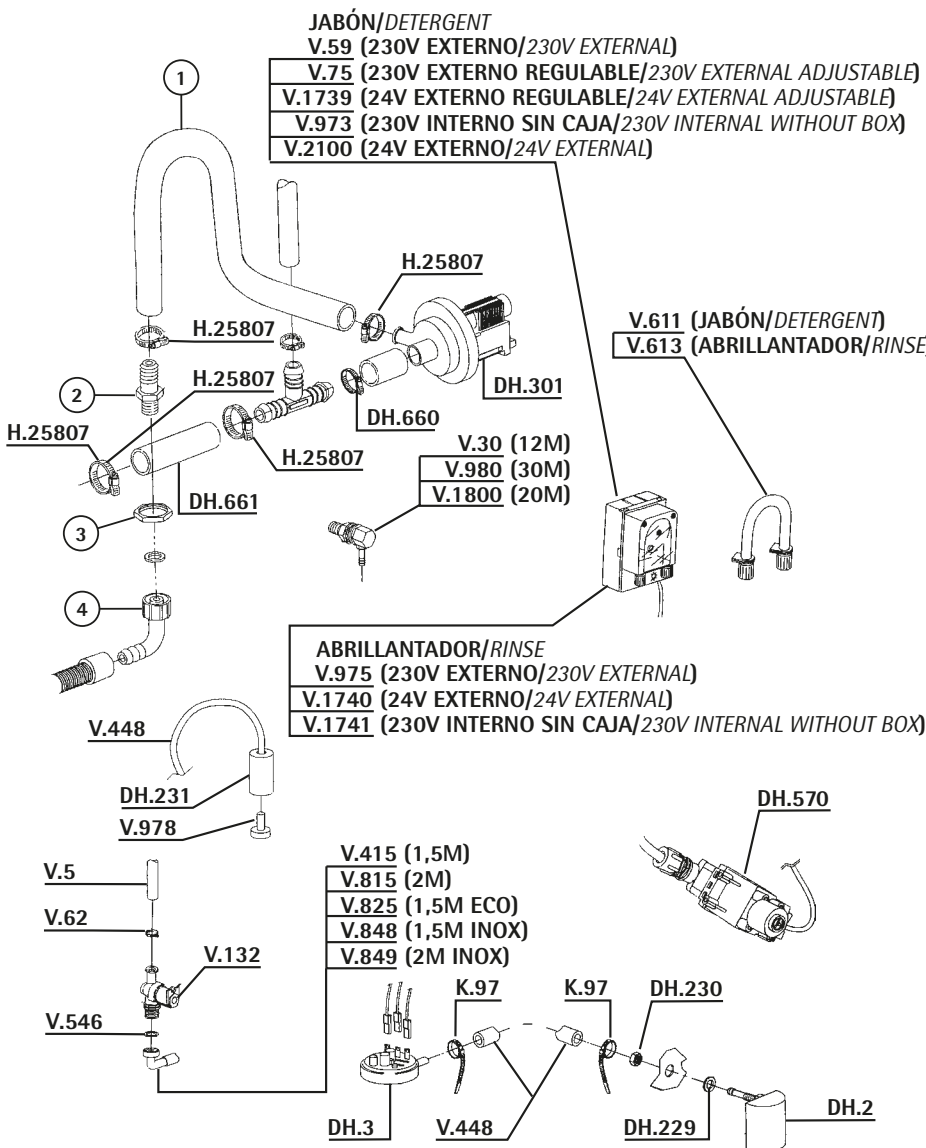
REF.	DESCRIPCIÓN	DESCRIPTION
DH.219	TAPON ARBOL ACLARADO	RINSE ARM CAP
DH.220	ROCIADOR ACLARADO	RINSE SPRAY
DH.410	JUNTA GOMA	RUBBER GASKET
DH.412	TUERCA	NUT
DH.414	JUNTA GOMA	RUBBER GASKET
DH.681	SOPORTE GIRATORIO INFERIOR	LOWER GIRATORY INFERIEUR
DH.682	UNION GIRATORIO	GIRATORY UNION
DH.683	TORNILLO GIRATORIO	GIRATORY SCREW
DH.684	BRAZO GIRATORIO DERECHO INOX	INOX RIGHT GIRATORY ARM
DH.685	BRAZO GIRATORIO IZQUIERDO INOX	INOX LEFT GIRATORY ARM
DH.791	TORRETA SUPERIOR	UPPER TURRET
DH.792	EJE SUPERIOR	UPPER ROD
DH.793	ANILLO DISTANCIADOR	DISTANCIER RING
DH.794	GUIA TUBO	PIPE GUIDE
DH.795	TUERCA	NUT
DH.796	ADAPTADOR SUPERIOR	UPPER ADAPTOR
DH.797	GIRATORIO LAVADO SUPERIOR	UPPER WASHER GIRATORY
DH.798	GIRATORIO COMPLETO ACLARADO	RINSE COMPLET GIRATORY
DH.803	ADAPTADOR GIRATORIO	GIRATORY ADAPTOR
DH.804	EJE	ROD
DH.805	TORRETA INFERIOR	LOWER TURRET
DH.806	TORNILLO 2,9x13	2,9x13 SCREW





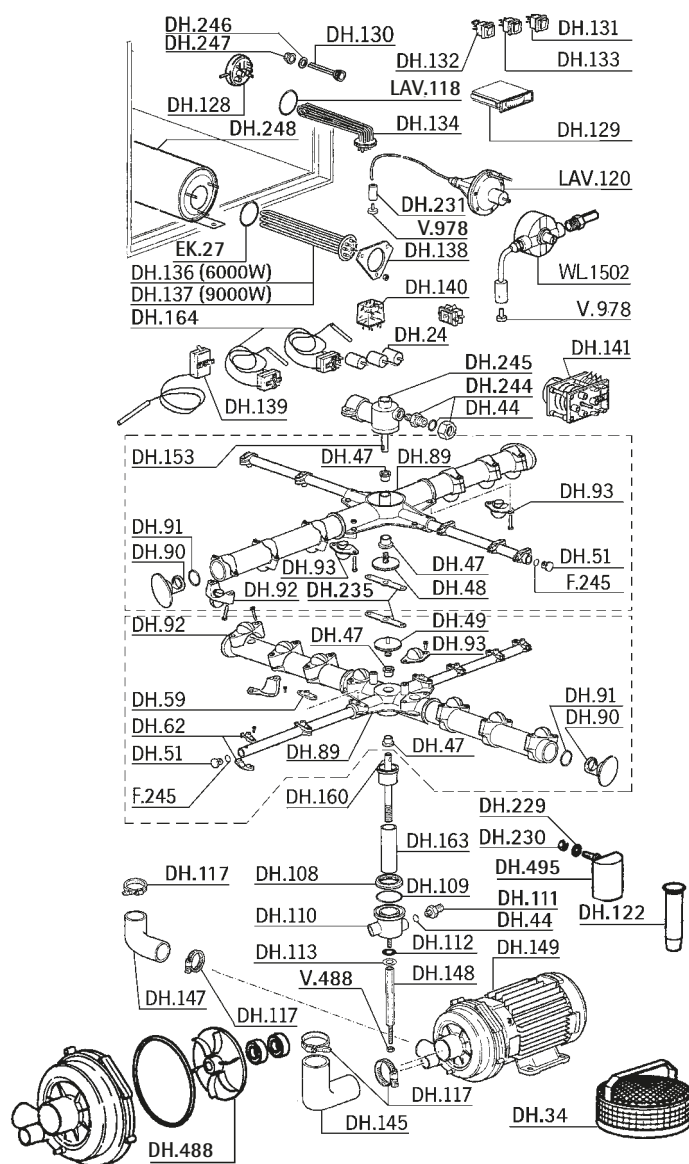
REF.	DESCRIPCIÓN	DESCRIPTION
DH.219	TAPON ARBOL ACLARADO	RINSE ARM CAP
DH.220	ROCIADOR ACLARADO	RINSE SPRAY
DH.410	JUNTA GOMA	RUBBER GASKET
DH.412	TUERCA	NUT
DH.414	JUNTA GOMA	RUBBER GASKET
DH.567	JUNTA	GASKET
DH.676	TUERCA GIRATORIO INOX	INOX GIRATORY NUT
DH.678	TUERCA GIRATORIO INOX SUPERIOR	UPPER INOX GIRATORY NUT
DH.679	GIRATORIO LAVADO GS45	GS45 WASHER GIRATORY
DH.681	SOPORTE GIRATORIO INFERIOR	LOWER GIRATORY INFERIEUR
DH.682	UNION GIRATORIO	GIRATORY UNION
DH.683	TORNILLO GIRATORIO	GIRATORY SCREW
DH.794	GUIA TUBO	PIPE GUIDE
DH.795	TUERCA	NUT
DH.849	EJE INFERIOR	LOWER ROD
DH.850	EJE SUPERIOR	UPPER ROD
DH.851	TORICA COLECTOR SUPERIOR	UPPER COLECTOR RING
DH.852	COLECTOR SUPERIOR	UPPER COLECTOR
DH.853	COLECTOR INFERIOR	LOWER COLECTOR

Componentes eléctricos ELECTRON 400 CLEAN (Agua Pulida) / ELECTRON 500 CLEAN (Agua Pulida) ■ Electronic components

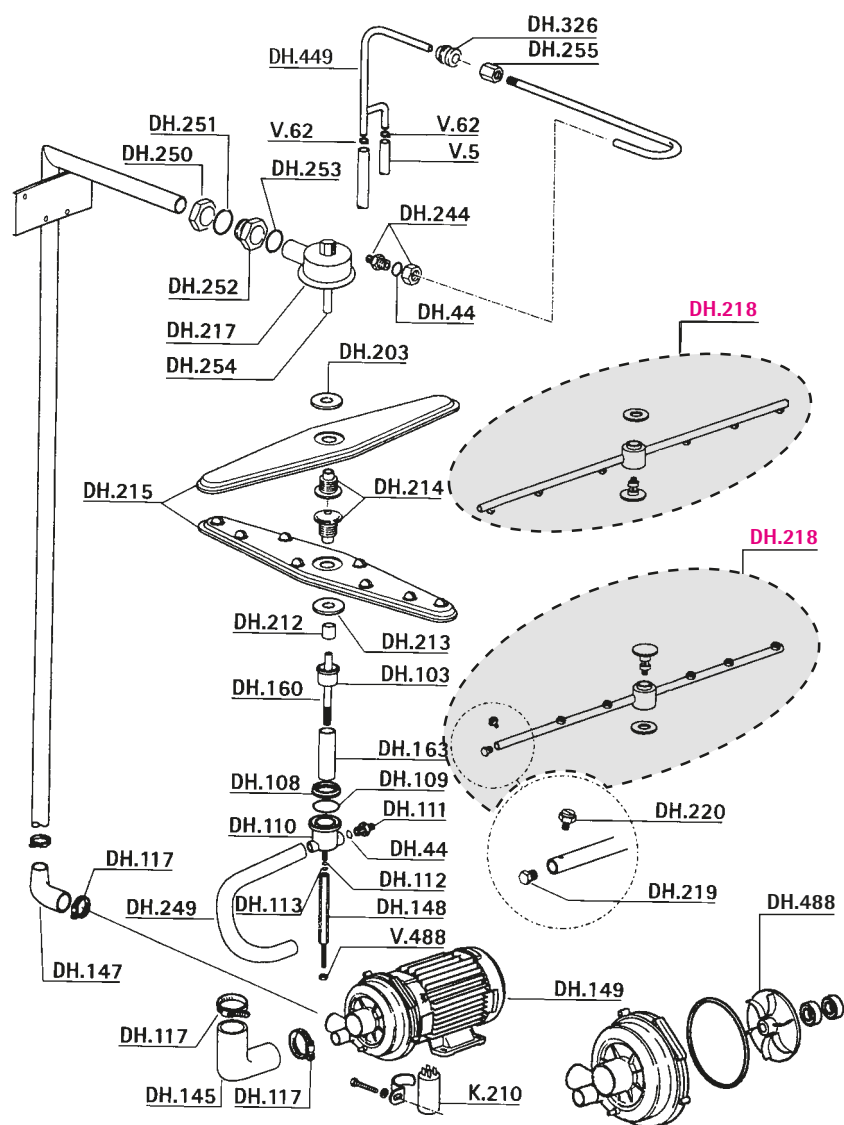


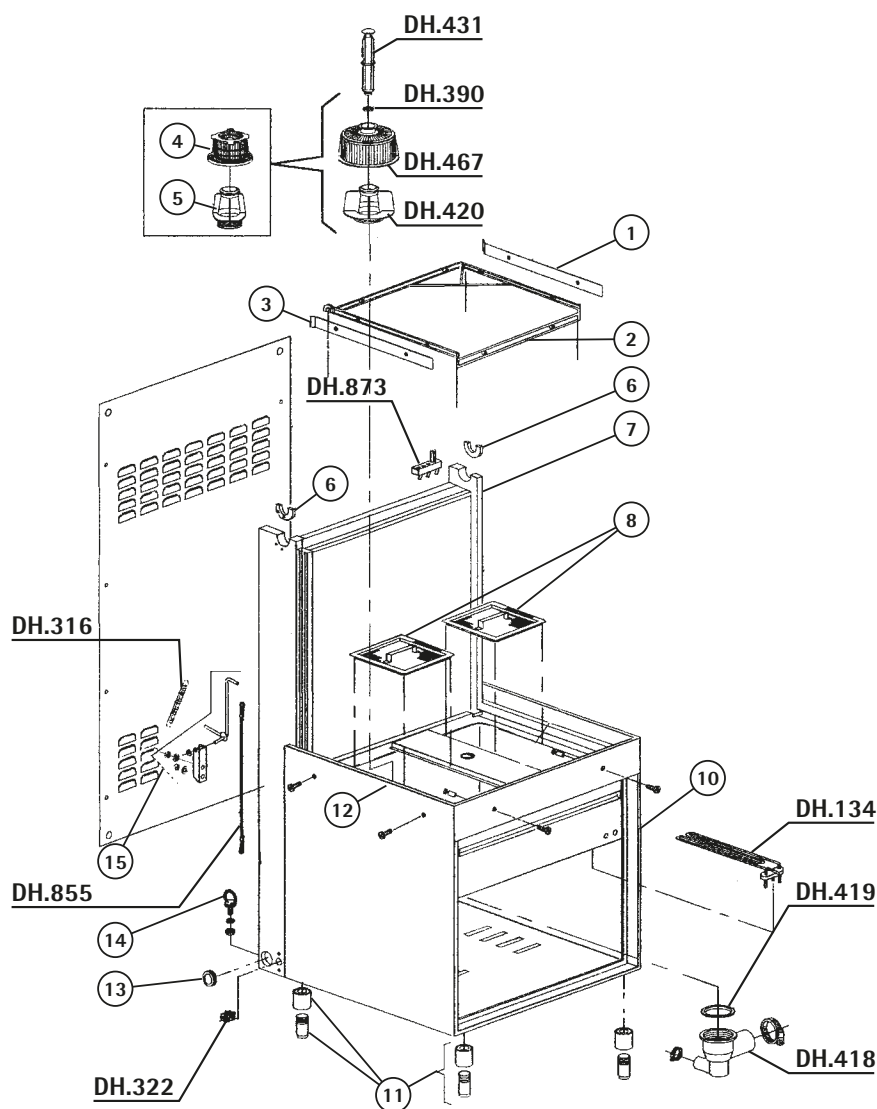
REF.	DESCRIPCIÓN	DESCRIPTION
DH...2	CAMARA PRESOSTATICA	PRESSURE SWITCH CHAMBER
DH...3	PRESOSTATO SAL	55/30 HORIZ.PRESS.SWITCH
DH.229	JUNTA ALIMENTARIA	ALIMENTARY GASKET
DH.230	TUERCA INOX	NUT
DH.231	PESO FILTRO	FILTER FITTING
DH.301	BOMBA DESAGÜE	OUTLET PUMP
DH.570	DOSIFICADOR ABRILLANTADOR	RISE AND DOSSIMETER
DH.660	T. EMPALME	T. UNION
DH.661	TUBO	PIPE
H25807	ABRAZADERA 25-40	25-40 CLAMP
K...97	BRIDA NYLON	5X24mm NYLON CLASP
V...5	TUBO GOMA 10X16 20 ATM	20ATM 10X17 RUBBER PIPE
V...30	RACOR ENTRADA JABON	INLET SOAP FITTING
V...59	DOSIFICADOR PERISTALTICO	DOSIMETER
V...62	ABRAZADERA 12-20	12-20 CLAMP
V...75	DOSIF.PERISTALTICO REGULA	ADJUSTABLE DOSIMETER
V.132	ELECTROVAL.1 VIA LAV.220V	WASH 1 WAY 220V SOLENOID
V.415	TOMA LAVADORA 1,5M	QUALITY 1.5M.INLET W.FLEX
V.448	TUBO PRESOSTATO-METRO 4X6	4X6 PRE.SWITCH INLET PIPE
V.546	JUNTA GOMA 3/4	WATER INLET RUBBER GASKET
V.611	TUBO INTERIOR DOS.PER. JABON	INLET PIPE
V.613	TUBO INTERIOR DOS.PER.ABRILLAN	RINS.AID INSIDE PIPE
V.815	TOMA LAVADORA 2 METROS	2 MT.INLET WATER FLEXIBLE
V.825	TOMA LAVADORA 1.5 "ECO"	"ECO"1.5M INLET WA.FLEXIB
V.848	TOMA LAVADORA 1.5M INOX	INOX 1.5M INLET WATER FL.
V.849	TOMA LAV.INOX 2MT.3/4X3/4	INOX 2MT.INLET WATER FLE.
V.973	DOSIFICADOR PERISTALTICO INTER	INTERNAL PERISTALTIC DOS.
V.975	DOSIFICADOR ABRILLANTADOR EXT.	EXTERNAL RINSE DOSIMETER
V.978	FILTRO DOSIFICADOR	DOSIMETER FILTER
V.980	RACOR ENTRADA JABON LARGO	LONG INLET FITTING
V.1739	DOSIF.PERISTAL.REGULABLE 24Vac	24Vac ADJUSTABLE DOSIMETER
V.1740	DOSIF.ABRILLAN.EXTERNO 24Vac	24Vac EXT. RINSE DOSIMETER
V.1741	DOSIF.ABRILLAN.INTERNO 230V AC	230Vac INTERNAL RINSE DOSIMET
V.1800	RACOR ENTRADA JABON METALICO	METALIC DETER.INLET FITTING
V.2100	DOSIFICADOR PERISTAL.JABON 24V	24V SOAP DOSIMETER

REF.	DESCRIPCIÓN	DESCRIPTION
AS..60	TORICA GOMA EPDM	RUBBER RING
DH..24	FILTRO ANTIPARASITARIO	ANTIPARASTIC FILTER
DH..34	FILTRO COPMPLETO	COMPLET FILTER
DH..44	TORICA VITON	VITON RING
DH..47	CASQUILLO PLASTICO	CAP
DH..48	FIJACION ACLARADO SUP.	UPPER RINSE FIRMNESS
DH..49	FIJACION ARBOL LAV./ACL	WASH/RINSE TREE FIRMNESS
DH..51	TAPON TUBO ACLARADO	RINSE PIPE CAP
DH..59	ROCIADOR ACLARADO PLANO	FLAT RINSE SPRAY
DH..62	ROCIADOR ACLARADO	RINSE SPRAY
DH..89	CENTRAL ARBOL LAV./ACLA.	WASH/RINSE ROTOR
DH..90	TAPON TUBO LAVADO	WASH PIPE CAP
DH..91	TORICA	RING
DH..92	ROCIADOR LAVADO GRANDE	WASHING SPRAY
DH..93	ROCIADOR LAVADO GR.PLANO	FLAT WASHING SPRAY
DH..108	ARANDELA LAVADO INFERIOR	LOWER WASH WASHER
DH..109	TORICA	RING
DH..110	COLECTOR DISTRIBUIDOR INF	DISTRIBUTOR COLLECTOR
DH..111	RACOR	FITTING
DH..112	JUNTA COLECTOR GOMA	COLLECTOR RUBBER GASKET
DH..113	ARANDELA PLANA	PLANE WASHER
DH..117	ABRAZADERA 46-70	46-70 CLAMP
DH..122	SOBRENIVEL GS-120W	GS120W OVERFLOW
DH..128	PRESOSTATO SAL./HOR.76/38	76/38 HORIZ.PRESS.SWITCH
DH..129	TERMOMETRO	THERMOMETER
DH..130	SONDA TERMOSTATO	THERMOSTAT FILLING PROBE
DH..131	INTERRUPTOR BIPOLAR VERDE	GREEN BIPOLAR SWITCH
DH..132	PILOTO VERDE	GREEN WARNING LAMP
DH..133	PULSADOR BIPOLAR AZUL	BLUE PUSH-BUTTON
DH..134	RESISTENCIA CUBA 3000W 230V	RESIST.TANK 3000W 230V
DH..136	RESIST.CALDERIN 6000W 230V	6000W 230V BOILER RESISTANCE
DH..137	RESIST.CALDERIN 9000W 230V	9000W 230V BOILER RESISTANCE
DH..138	PLACA RESIST.CALDERIN	BOILER-RESIST.PLATE
DH..139	TERMOST.SEGURIDAD 90-110°	90-110° SAFETY THERMOSTAT
DH..140	RELE BIPOLAR 16A	16A RELAY
DH..141	TEMPORIZADOR 4MICROS 360°	4TOOTH 360° TIMER
DH..145	MANGUITO ASPIRACION	SUCTION SLEEVE
DH..147	MANGUITO	SLEEVE
DH..148	TIRANTE COLECTOR	COLLECTOR DRAWER
DH..149	MOTOR 1,5 HP GS 120W	1.5 HP GS120W MOTOR
DH..153	EJE ACLARADO SUPERIOR	UPPER CLEAR ROD
DH..160	EJE ACLARADO INF.SUP.	UPPER LOWER CLEAR ROD
DH..163	MANGUITO INOX LAVADO INF.	WASH LOWER INOX SLEEVE
DH..164	TERMOSTATO 0-90°	0-90° THERMOSTAT
DH..229	JUNTA ALIMENTARIA	ALIMENTARY GASKET
DH..230	TUERCA INOX	NUT
DH..231	PESO FILTRO	FILTER FITTING
DH..235	CLAPETA	CLIP
DH..244	RACOR	FITTING
DH..245	COLECTOR SUPERIOR	UPPER COLLECTOR
DH..246	JUNTA GOMA	RUBBER GASKET
DH..247	TUERCA	NUT
DH..248	CALDERIN	BOILER
DH..488	TURBINA MOTOR DH.149	DH.149 MOTOR TURBINE
DH..495	CAMARA PRESOSTATICA	PRESSURE SWITCH CHAMBER
EK..17	TORICA PORTA SUPLEMENTADA	SUPLEMENT HOLDER RING
F..245	TORICA GOMA EPDM	RUBBER RING
LAV118	TORICA GOMA	RUBBER RING
LAV120	DOSIFICADOR ABRILLANTADOR	RINSE AID DOSIMETER
V..978	FILTRO DOSIFICADOR	DOSIMETER FILTER
WL1502	DOSIFICADOR ABRILLANTADOR	RINSE AID DOSIMETER

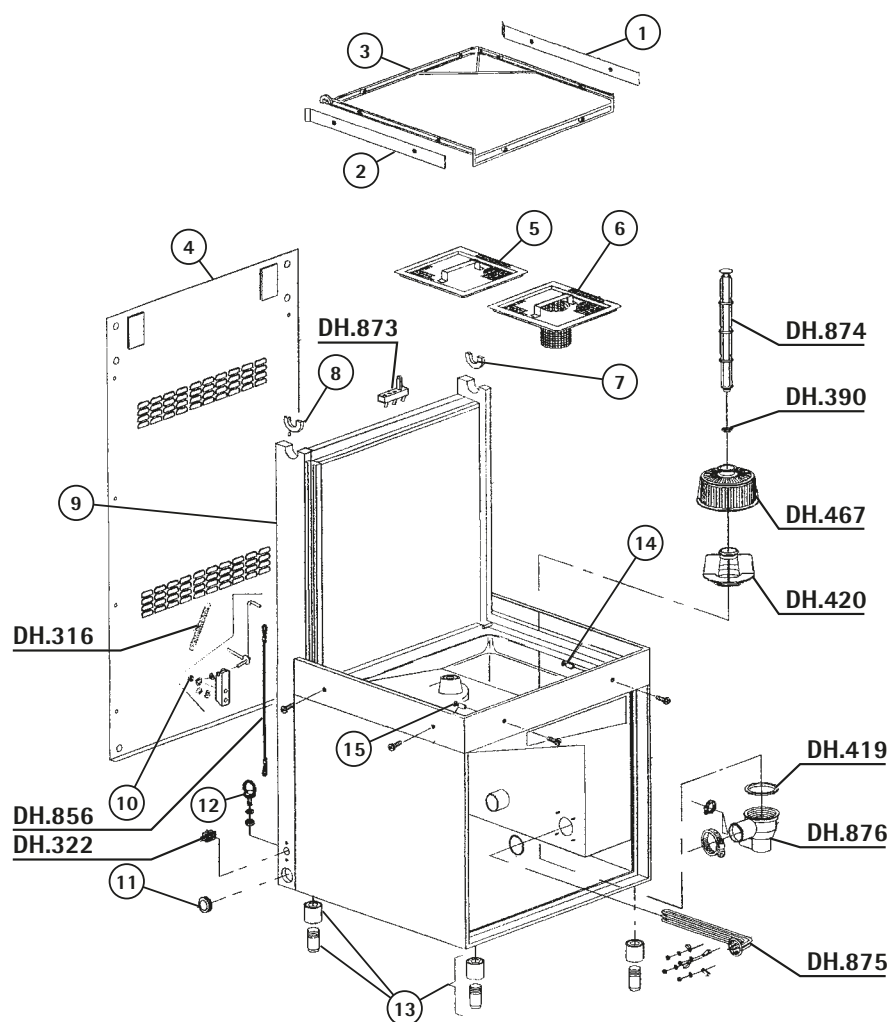


REF.	DESCRIPCIÓN	DESCRIPTION
DH..44	TORICA VITON	VITON RING
DH.103	CASQUILLO EJE LAVADO INF.	LOWER WASHING ROD CAP
DH.108	ARANDELA LAVADO INFERIOR	LOWER WASH WASHER
DH.109	TORICA	RING
DH.110	COLECTOR DISTRIBUIDOR INF	DISTRIBUTOR COLLECTOR
DH.111	RACOR	FITTING
DH.112	JUNTA COLECTOR GOMA	COLLECTOR RUBBER GASKET
DH.113	ARANDELA PLANA	PLANE WASHER
DH.117	ABRAZADERA 46-70	46-70 CLAMP
DH.145	MANGUITO ASPIRACION	SUCTION SLEEVE
DH.147	MANGUITO	SLEEVE
DH.148	TIRANTE COLECTOR	COLLECTOR DRAWER
DH.149	MOTOR 1,5 HP GS 120W	1.5 HP GS120W MOTOR
DH.160	EJE ACLARADO INF.SUP.	UPPER LOWER CLEAR ROD
DH.163	MANGUITO INOX LAVADO INF.	WASH LOWER INOX SLEEVE
DH.203	ROCIADOR ACLARADO	RINSE SPRAY
DH.212	CASQUILLO	CAP
DH.213	ARANDELA	WASHER
DH.214	RACOR	FITTING
DH.215	ASTA LAVADO	WASHING ARM
DH.217	CODO ACLARADO	RINSE ELBOW
DH.218	ARBOL ACLARADO	RINSE ARM
DH.219	TAPON ARBOL ACLARADO	RINSE ARM CAP
DH.220	ROCIADOR ACLARADO	RINSE SPRAY
DH.244	RACOR	FITTING
DH.249	MANGUITO	SLEEVE
DH.250	TUERCA	NUT
DH.251	TORICA	RING
DH.252	CONTRATUERCA	BRASS NUT
DH.253	TORICA	RING
DH.254	EJE	ROD
DH.255	TUERCA	NUT
DH.326	UNION	JUNCTION
DH.449	DERIVACION 2 VIAS	2 WAYS DERIVATION
DH.488	TURBINA MOTOR DH.149	DH.149 MOTOR TURBINE
K..210	CONDENSADOR 16 MF. 220V	16 MF. 220V CONDENSER
V....5	TUBO GOMA 10X16 20 ATM	20ATM 10X17 RUBBER PIPE
V..62	ABRAZADERA 12-20	12-20 CLAMP
V..488	TUERCA M-8	M-8 NUT





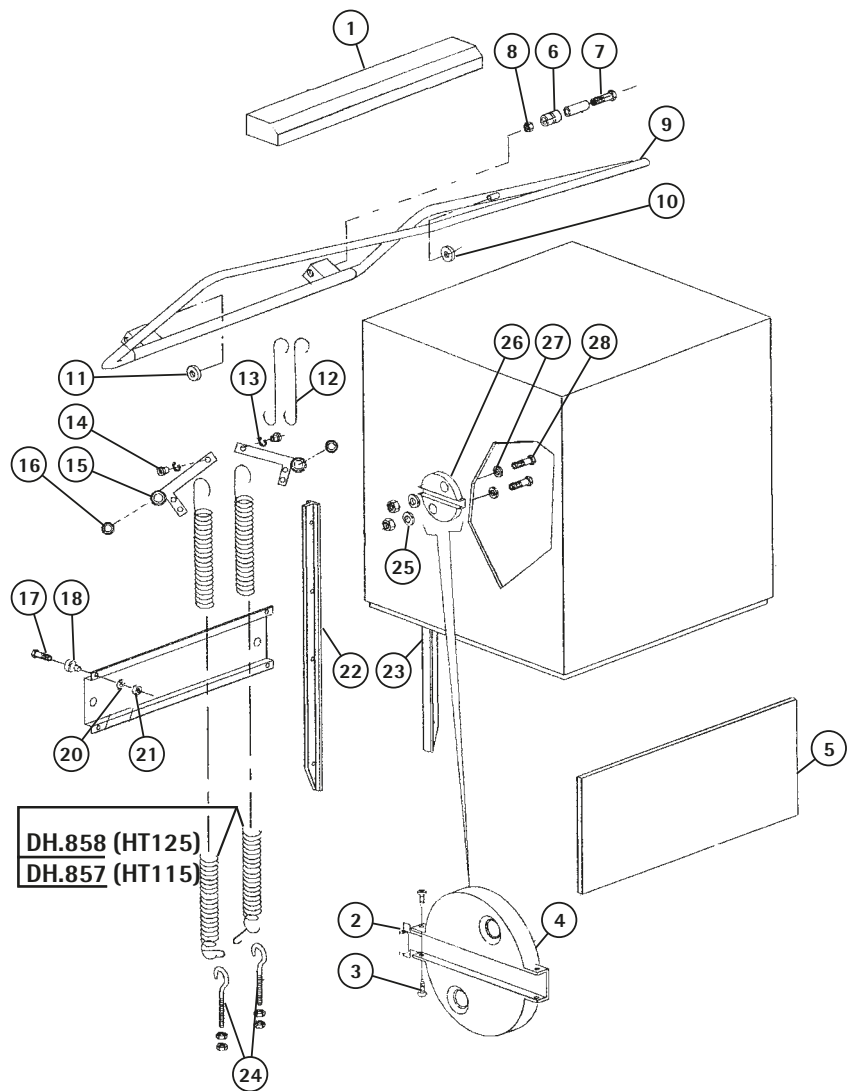
REF.	DESCRIPCIÓN	DESCRIPTION
DH.134	RESISTENCIA CUBA 3000W 230V	RESIST. TANK 3000W 230V
DH.316	MUELLE PUERTA	DOOR SPRING
DH.322	INTERRUPTOR	SWITCH
DH.390	COLLARIN GOMA	RUBBER GASKET
DH.418	RACOR	FITTING
DH.419	JUNTA GOMA	RUBBER GASKET
DH.420	BASE FILTRO	FILTER BASE
DH.431	SOBRENIVEL	OVERFLOW
DH.467	FILTRO	FILTER
DH.855	CABLE SEGURIDAD HS11	HS11 SAFETY WIRING
DH.873	PULSADOR FINAL DE CARRERA	STOP PUSH-BUTTON



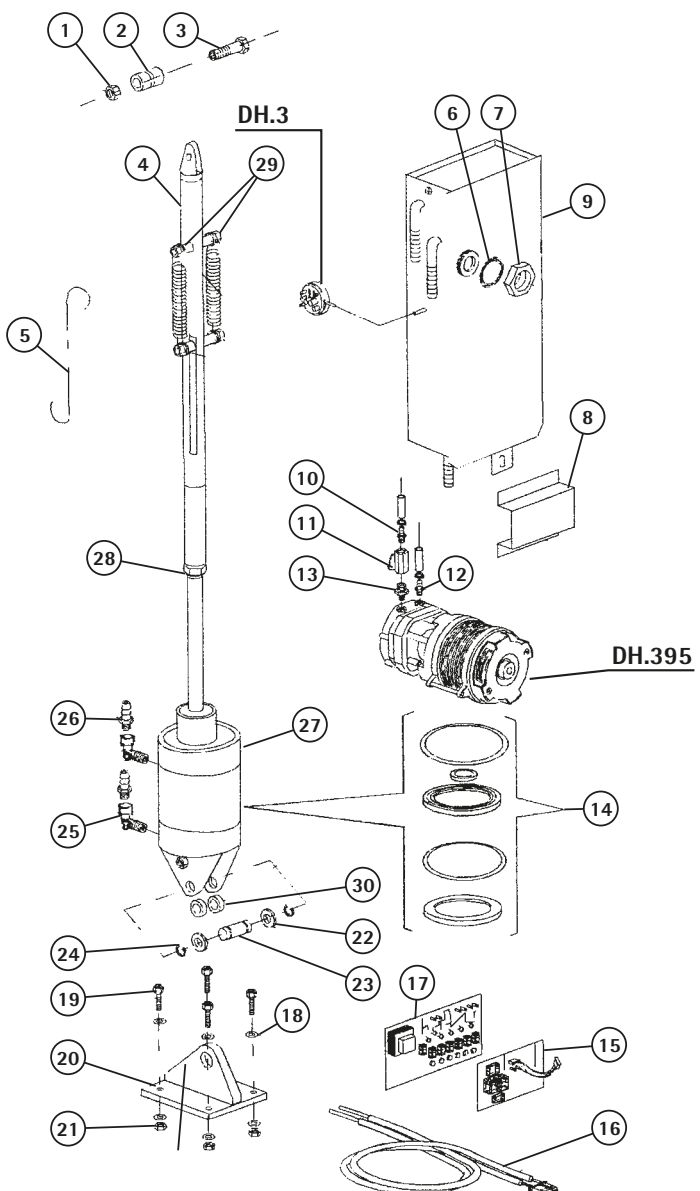
REF.	DESCRIPCIÓN	DESCRIPTION
DH.316	MUELLE PUERTA	DOOR SPRING
DH.322	INTERRUPTOR	SWITCH
DH.390	COLLARIN GOMA	RUBBER GASKET
DH.419	JUNTA GOMA	RUBBER GASKET
DH.420	BASE FILTRO	FILTER BASE
DH.467	FILTRO	FILTER
DH.856	CABLE SEGURIDAD HS12	HS12 SAFETY WIRING
DH.873	PULSADOR FINAL DE CARRERA	STOP PUSH-BUTTON
DH.874	SOBRENIVEL HT12S	OVERFLOW HT12S
DH.875	RESISTENCIA 2,7KW	2,7KW RESISTANCE
DH.876	CODO DESAGÜE	DRAIN ELBOW

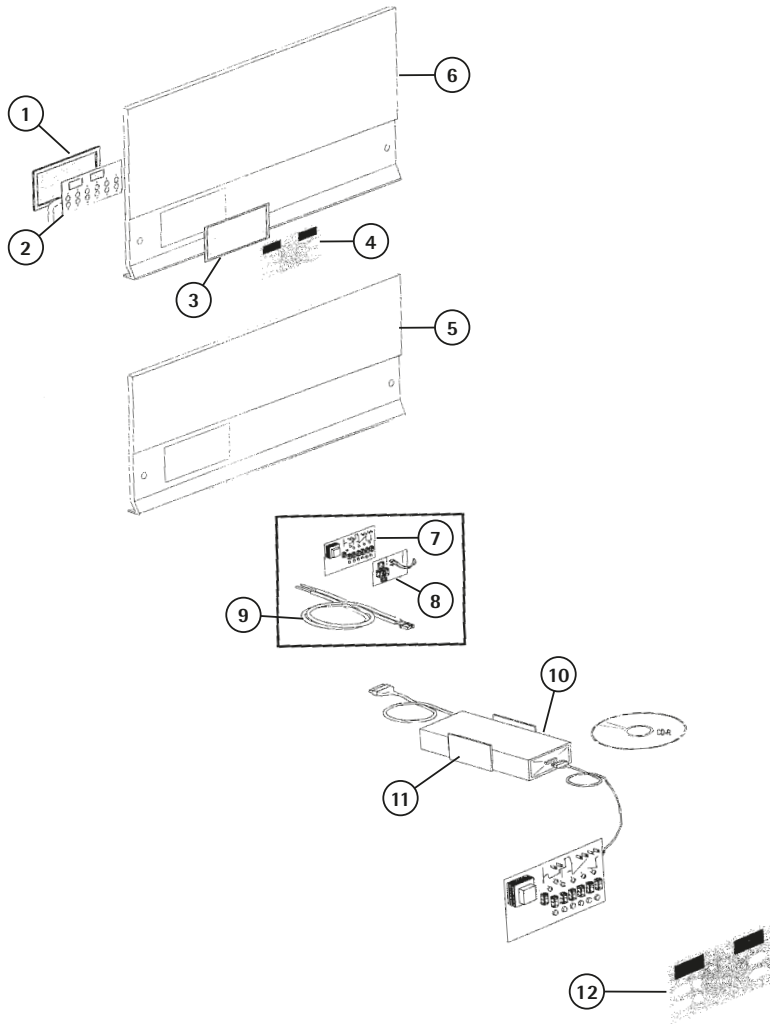


REF.	DESCRIPCIÓN	DESCRIPTION
DH.857	MUELLE TRASERO	BEHIND SPRING
DH.858	MUELLE TRASERO	BEHIND SPRING



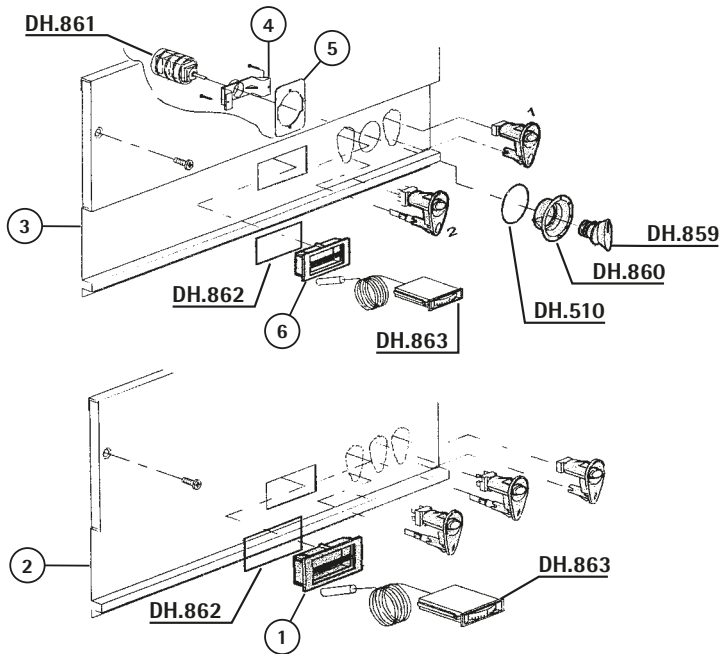
REF.	DESCRIPCIÓN	DESCRIPTION
DH...3	PRESOSTATO SAL	55/30 HORIZ.PRESS.SWITCH
DH.395	MOTOR	MOTOR



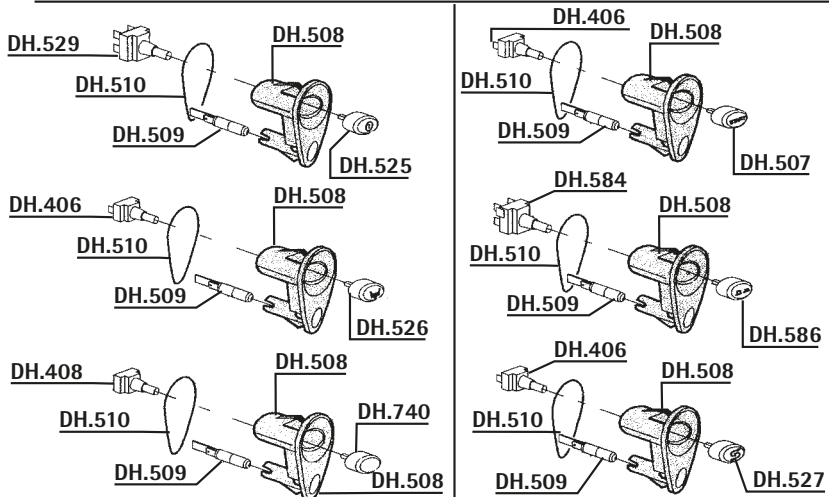


REF.	DESCRIPCIÓN	DESCRIPTION

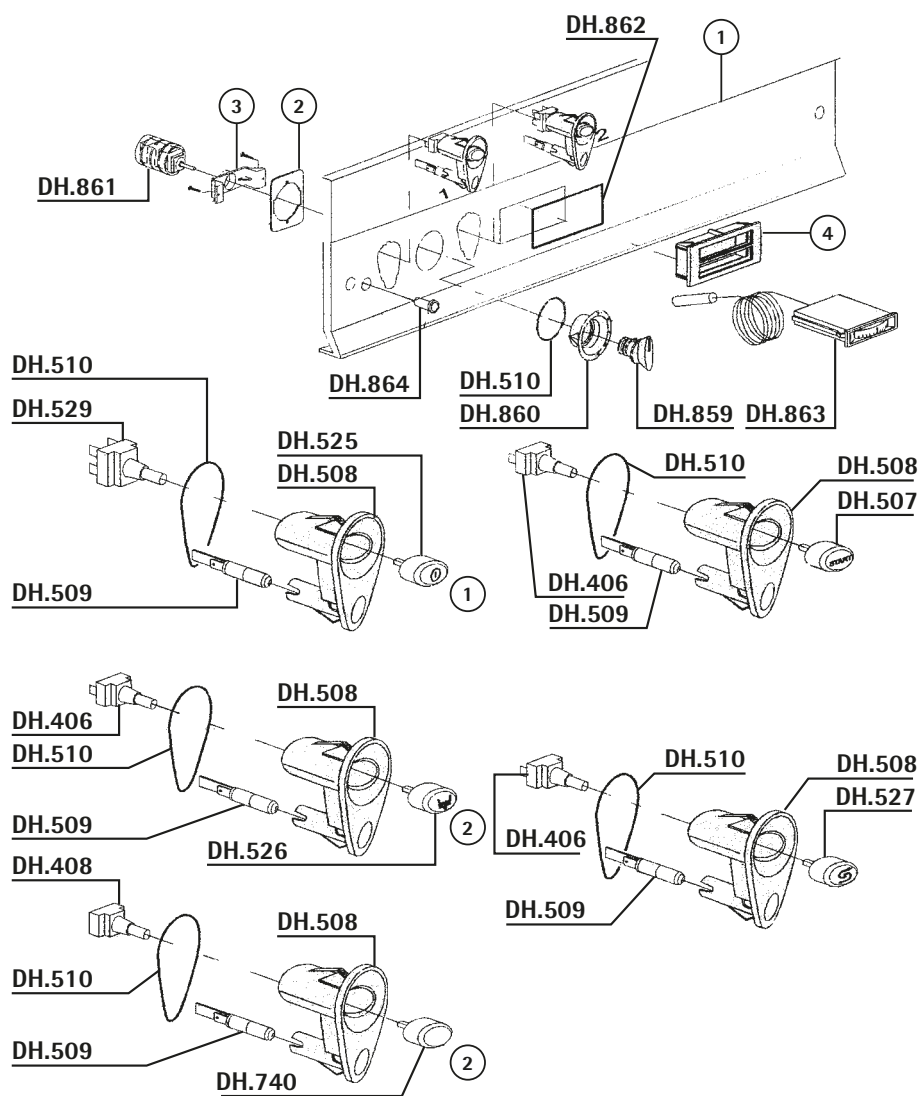
Panel de mandos HT11S ■ HT11S Control panel



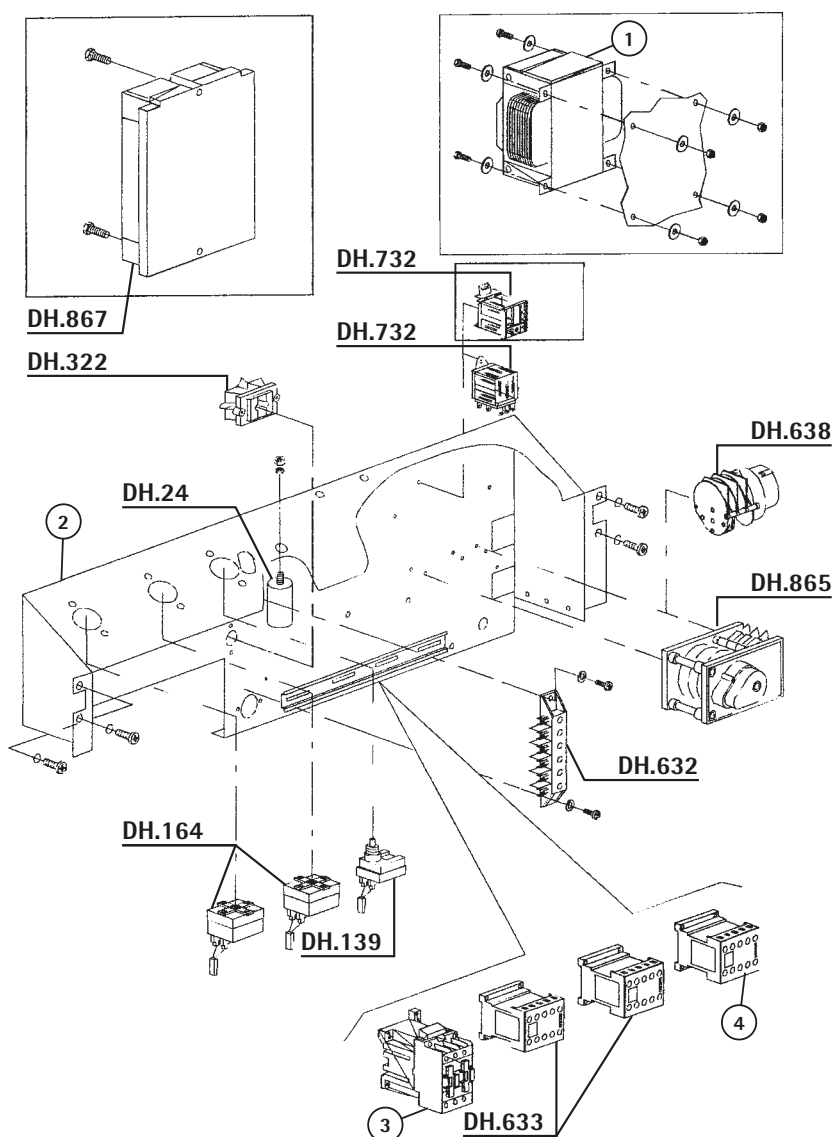
REF.	DESCRIPCIÓN	DESCRIPTION
DH.406	PULSADOR UNIPOLAR	UNIPOLAR PUSH-BUTTON
DH.408	PULSADOR	PUSH-BUTTON
DH.507	BOTON START	START BUTTON
DH.508	SOPORTE BOTON	BUTTON SUPPORT
DH.509	LAMPARA 220V	220V LAMP
DH.510	TORICA	RING
DH.525	BOTON ON-OFF	ON-OFF BUTTON
DH.526	BOTON BOMBA VACIO	DRAIN PUMP BUTTON
DH.527	BOTON DEPURACION	PURIFIER BUTTON
DH.529	PULSANTE BIPOLAR 16A	BIPOLAR PUSH-BUTTON 16A
DH.584	CONMUTADOR BIPOLAR 16A	16A BIPOLAR SWITCH
DH.586	BOTON SELECTOR TIEMPO	SELECTOR TIME BUTTON
DH.740	BOTON CIEGO	BLIND BUTTON
DH.859	MANDO SELECTOR	SELECTOR KNOB
DH.860	SOPORTE SELECTOR	SELECTOR KNOB
DH.861	SELECTOR TEMPERATURA	TEMPERATURE SELECTOR
DH.862	JUNTA	GASKET
DH.863	TERMOMETRO	THERMOMETRE

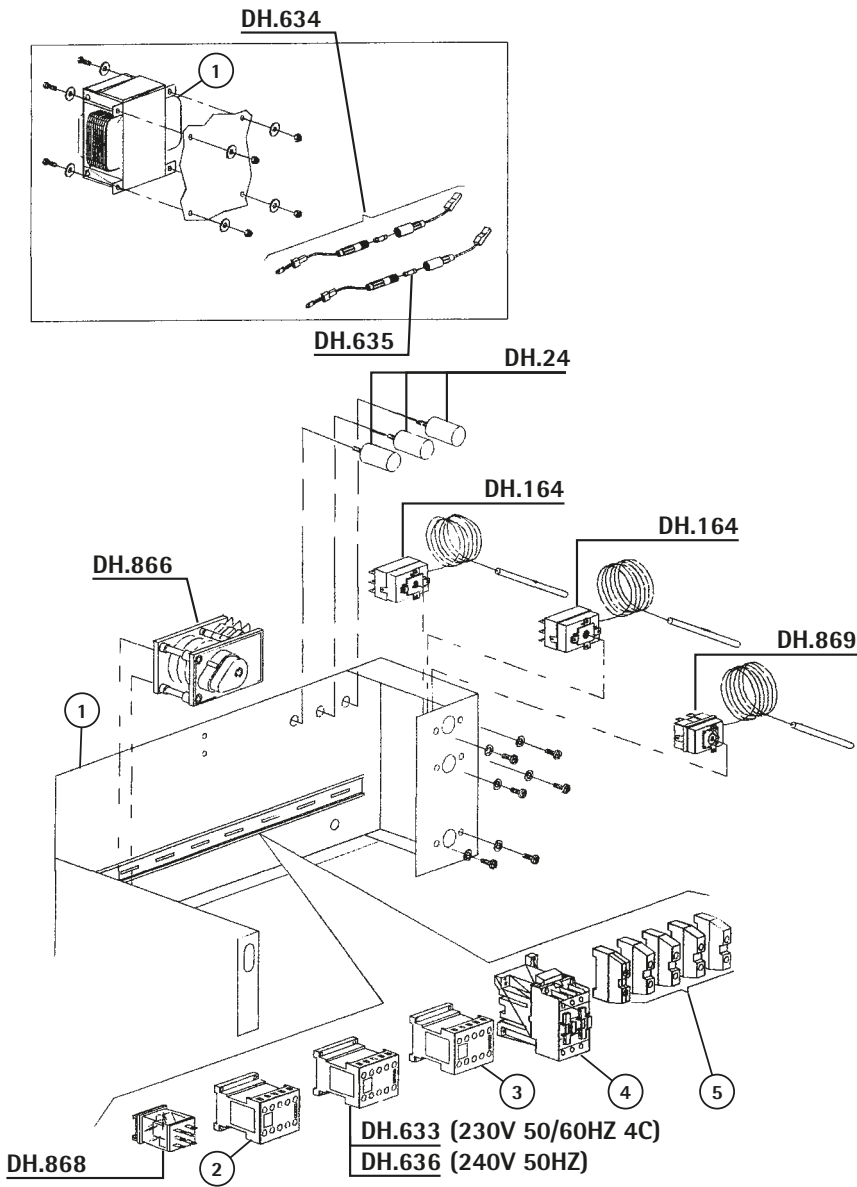


REF.	DESCRIPCIÓN	DESCRIPTION
DH.406	PULSADOR UNIPOLAR	UNIPOLAR PUSH-BUTTON
DH.408	PULSADOR	PUSH-BUTTON
DH.507	BOTON START	START BUTTON
DH.508	SOPORTE BOTON	BUTTON SUPPORT
DH.509	LAMPARA 220V	220V LAMP
DH.510	TORICA	RING
DH.525	BOTON ON-OFF	ON-OFF BUTTON
DH.526	BOTON BOMBA VACIO	DRAIN PUMP BUTTON
DH.527	BOTON DEPURACION	PURIFIER BUTTON
DH.529	PULSANTE BIPOLAR 16A	BIPOLAR PUSH-BUTTON 16A
DH.740	BOTON CIEGO	BLIND BUTTON
DH.859	MANDO SELECTOR	SELECTOR KNOB
DH.860	SOPORTE SELECTOR	SELECTOR KNOB
DH.861	SELECTOR TEMPERATURA	TEMPERATURE SELECTOR
DH.862	JUNTA	GASKET
DH.863	TERMOMETRO	THERMOMETRE
DH.864	TAPON PILOTO	



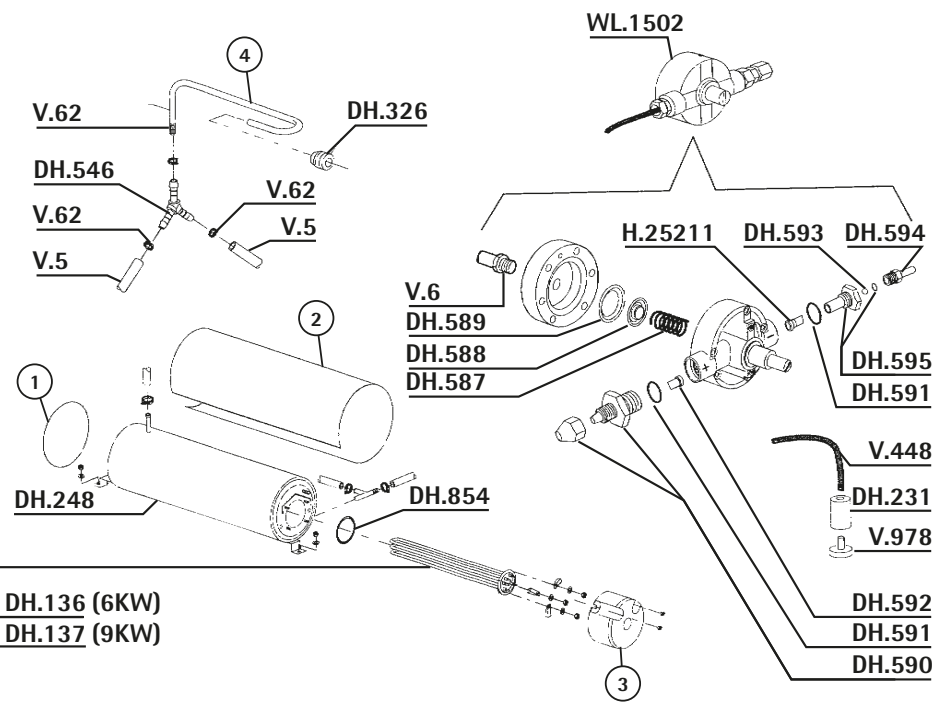
REF.	DESCRIPCIÓN	DESCRIPTION
DH..24	FILTRO ANTIPARASITARIO	ANTIPARASTIC FILTER
DH.139	TERMOST.SEGURIDAD 90-110°	90-110° SAFETY THERMOSTAT
DH.164	TERMOSTATO 0-90°	0-90° THERMOSTAT
DH.322	INTERRUPTOR	SWITCH
DH.632	REGLETA 6 POLOS	CONNECTOR
DH.633	CONTACTOR 230V 50/60HZ 4C	CONTACTOR 230V 50/60HZ 4C
DH.638	TIMER 90° TERMOSTOP 230V 50HZ	TIMER 90° THERMOSTOP 230V 50HZ
DH.732	RELE BIPOLAR 16A	16A TWOPOLES RELAY
DH.865	PROGRAMADOR 60/120/180° 50HZ	60/120/180° 50HZ TIMER
DH.867	PRAGRAMADOR CON DEPURACION	TIMER





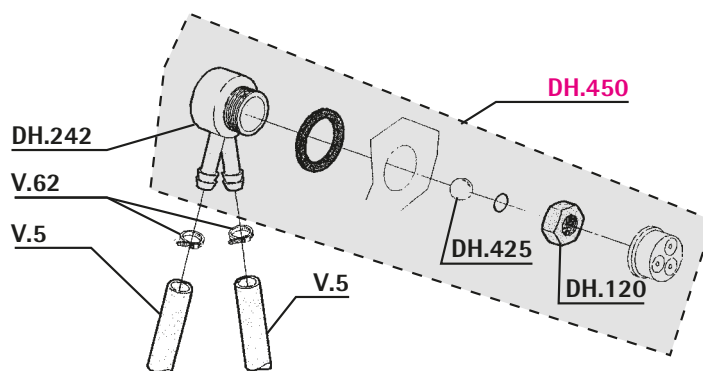
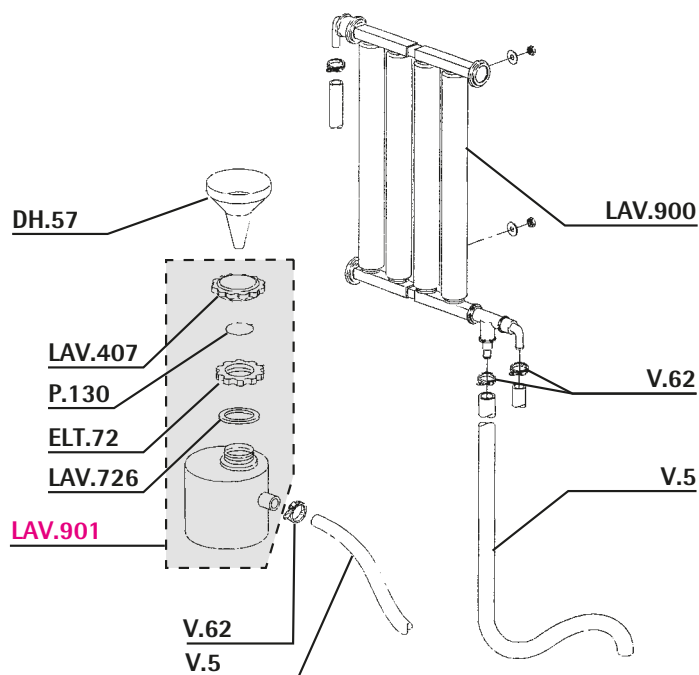
REF.	DESCRIPCIÓN	DESCRIPTION
DH..24	FILTRO ANTIPARASITARIO	ANTIPARASTIC FILTER
DH.164	TERMOSTATO 0-90°	0-90° THERMOSTAT
DH.633	CONTACTOR 230V 50/60HZ 4C	CONTACTOR 230V 50/60HZ 4C
DH.634	PORTA FUSIBLE	FUSE HOLDER
DH.635	FUSIBLE	HOLDER
DH.636	CONTACTOR 240V 50HZ	CONTACTOR
DH.866	PROGRAMADOR 30/100/150"	30/100/150" TIMER
DH.868	RELE 230V 50/60HZ	230V 50/60HZ RELAY
DH.869	TERMOSTATO SEGURIDAD	SAFETY THERMOSTAT

Calderín / Dosificador abrillantador HT11S / HT12S ■ HT11S / HT12S Rinse aid / Boiler

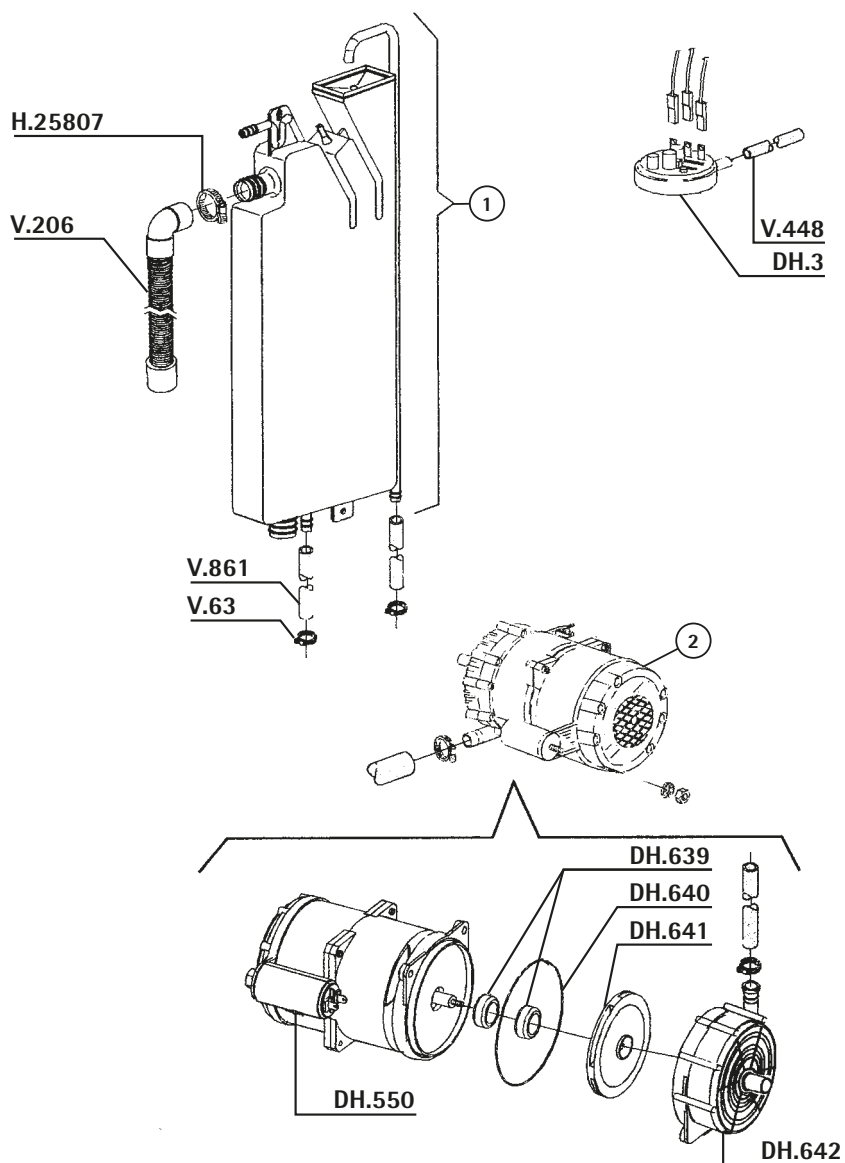


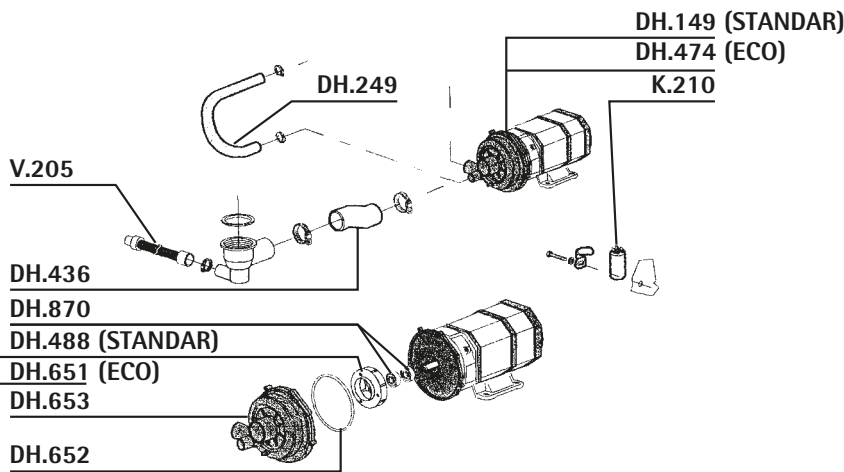
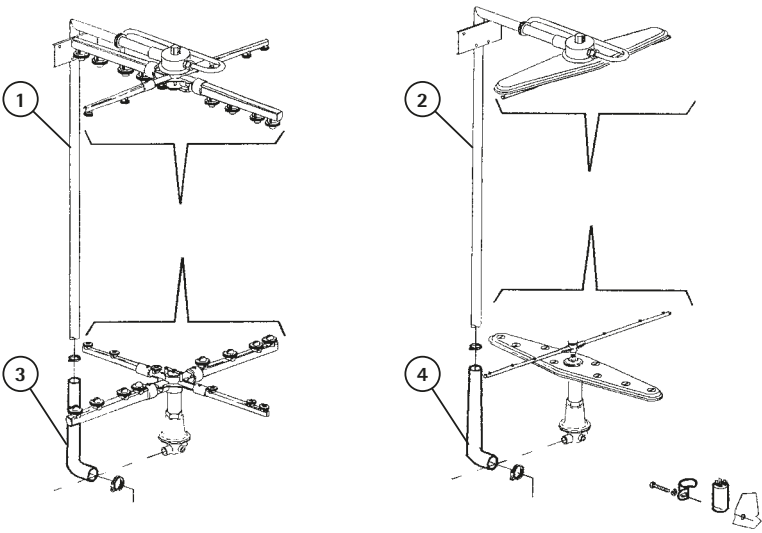
REF.	DESCRIPCIÓN	DESCRIPTION
DH.136	RESIST.CALDERIN 6000W 230V	6000W 230V BOILER RESISTANCE
DH.137	RESIST.CALDERIN 9000W 230V	9000W 230V BOILER RESISTANCE
DH.231	PESO FILTRO	FILTER FITTING
DH.248	CALDERIN	BOILER
DH.326	UNION	JUNCTION
DH.546	RACOR 10MM	RACCORD 10MM
DH.587	MUELLE DOSIFICADOR ABRILLANTAD	RINSE AID SPRING
DH.588	DISCO MEMBRANA	MEMBRANE DISK
DH.589	MEMBRANA SILICONA	SILICONE MEMBRANE
DH.590	RACOR ASPIRACION	SUCTION FITTING
DH.591	JUNTA DOSIFICADOR ABRILLANTADO	RINSE AID DOSIMETER GASKET
DH.592	VALVULA SILICONA	SILICONE VALVE
DH.593	ESFERA TEFLON	TEFLON SPHERE
DH.594	RACOR LATON DOSIFICADOR ABRILL	RINSE AID SPRING
DH.595	GUIA VALVULA	VALVE GUIDE
DH.854	JUNTA RESISTENCIA	RESISTANCE GASKET
H25211	VALVULA ABRILLANTADOR	VALVE
V....5	TUBO GOMA 10X16 20 ATM	20ATM 10X16 RUBBER PIPE
V...6	RACOR DOSIF.ABRILL.D=10mm	D=10mm DOSIMETER FITTING
V...62	ABRAZADERA 12-20	12-20 CLAMP
V.448	TUBO PRESOSTATO-METRO 4X6	4X6 PRE.SWITCH INLET PIPE
V.978	FILTRO DOSIFICADOR	DOSIMETER FILTER
WL1502	DOSIFICADOR ABRILLANTADOR	RINSE AID DOSIMETER

REF.	DESCRIPCIÓN	DESCRIPTION
DH..57	TUBO ACLARADO IZQUIERDO	LEFT RINSE PIPE
DH.120	TUERCA	NUT
DH.242	RACOR	FITTING
DH.425	ESFERA TEFLON	TEFLON SPHERE
DH.450	REDUCTOR	REDUCER
ELT.72	RACOR DEPOSITO SAL	FITTING SALT CONTAINER
LAV407	TAPON DEPOSITO SAL	SALT TANK CAP
LAV726	JUNTA GOMA	RUBBER GASKET
LAV900	DEPURADOR LAVATAZAS	WASHING CUP PURIFIER
LAV901	DEPOSITO SAL COMPLETO	SALT CONTAINER
P..130	TORICA EPDM	RING
V....5	TUBO GOMA 10X16 20 ATM	20ATM 10X17 RUBBER PIPE
V...62	ABRAZADERA 12-20	12-20 CLAMP

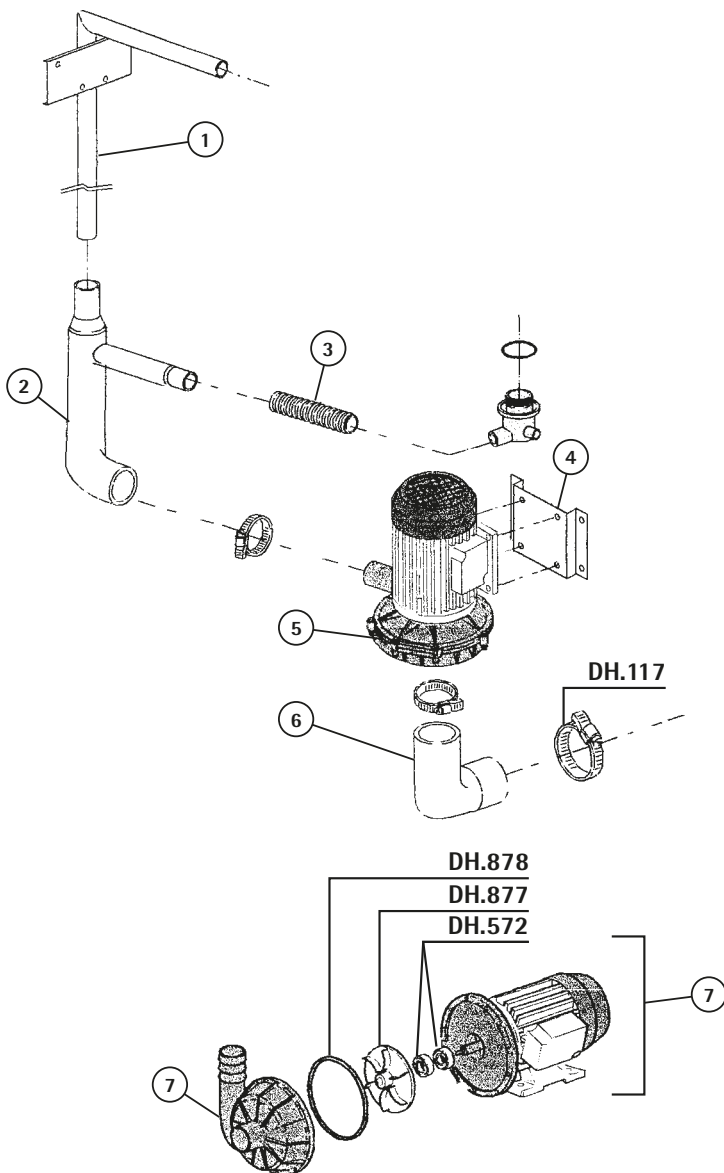


REF.	DESCRIPCIÓN	DESCRIPTION
DH...3	PRESOSTATO SAL	55/30 HORIZ.PRESS.SWITCH
DH.550	CONDENSADOR 5MF 450V	5MF 450V CONDENSER
DH.639	RETEN MOTOR GS40	GS40 MOTOR MECHANICAL SEAL
DH.640	JUNTA MOTOR GS40	GS40 MOTOR GASKET
DH.641	TURBINA MOTOR GS40	GS40 MOTOR TURBINE
DH.642	TAPA MOTOR	MOTOR LID
H25807	ABRAZADERA 25-40	25-40 CLAMP
V...63	ABRAZADERA 20-32	20-35 CLAMP
V..206	TUBO DESAGÜE CON CODO	WITH ELBOW OUTLET PIPE
V..448	TUBO 4X6mm	4x6mm PIPE
V..861	TUBO GOMA 12X22mm 20ATM	20ATM 12X22mm RUBBER PIPE





REF.	DESCRIPCIÓN	DESCRIPTION
DH.149	MOTOR 1,5 HP GS 120W	1.5 HP GS120W MOTOR
DH.249	MANGUITO	SLEEVE
DH.436	MANGUITO	SLEEVE
DH.474	MOTOBOMBA 1,2 HP	1,2 HP WASHING PUMP
DH.488	TURBINA MOTOR DH.149	DH.149 MOTOR TURBINE
DH.651	TURBINA BOMBA GS85	GS85 PUMP TURBINE
DH.652	JUNTA TAPA MOTOR	MOTOR LID GASKET
DH.653	TAPA MOTOR GS85	GS85 MOTOR LID
DH.870	RETEN MOTOR	MOTOR MECHANICAL SEAL
K.210	CONDENSADOR 16 MF. 220V	16 MF. 220V CONDENSER
V.205	DESAGÜE EXTENSIB.2mt.22x28mm	2mt EXTENSIBLE OUT PIPE

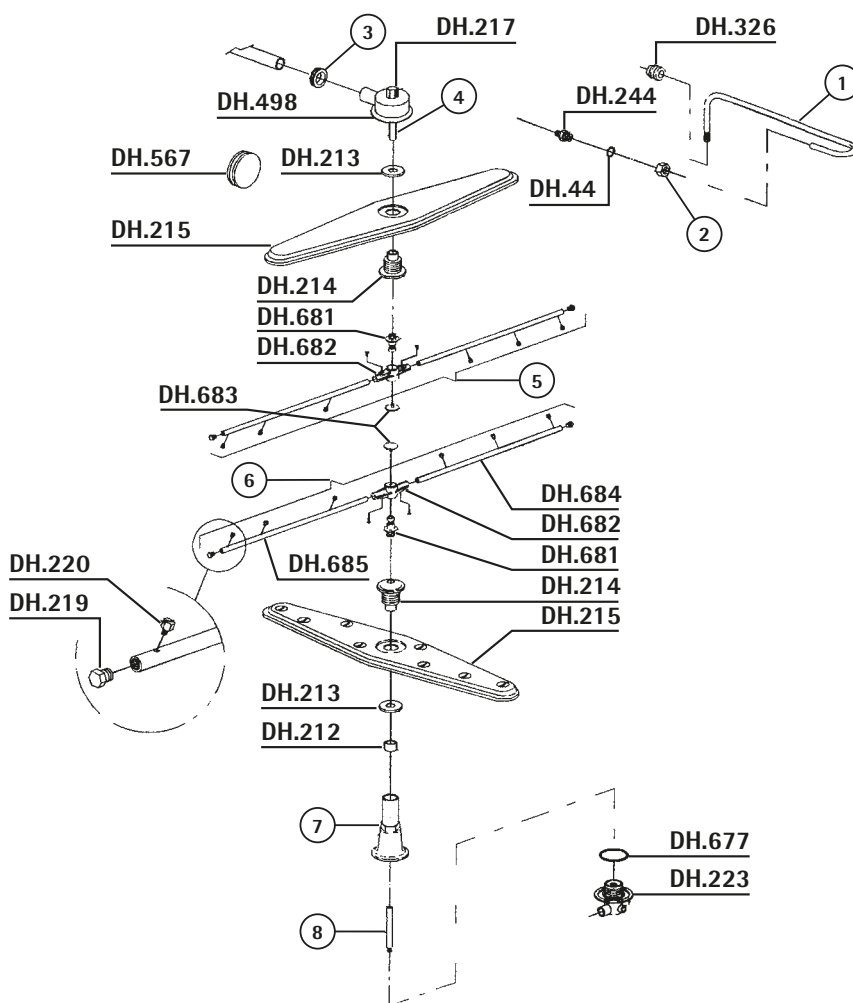


REF.	DESCRIPCIÓN	DESCRIPTION
DH.572	RETEN	MECHANICAL SEAL
DH.877	TURBINA HT12S	HT12S TURBINE
DH.878	JUNTA MOTOR HT12S	HT12S MOTOR GASKET

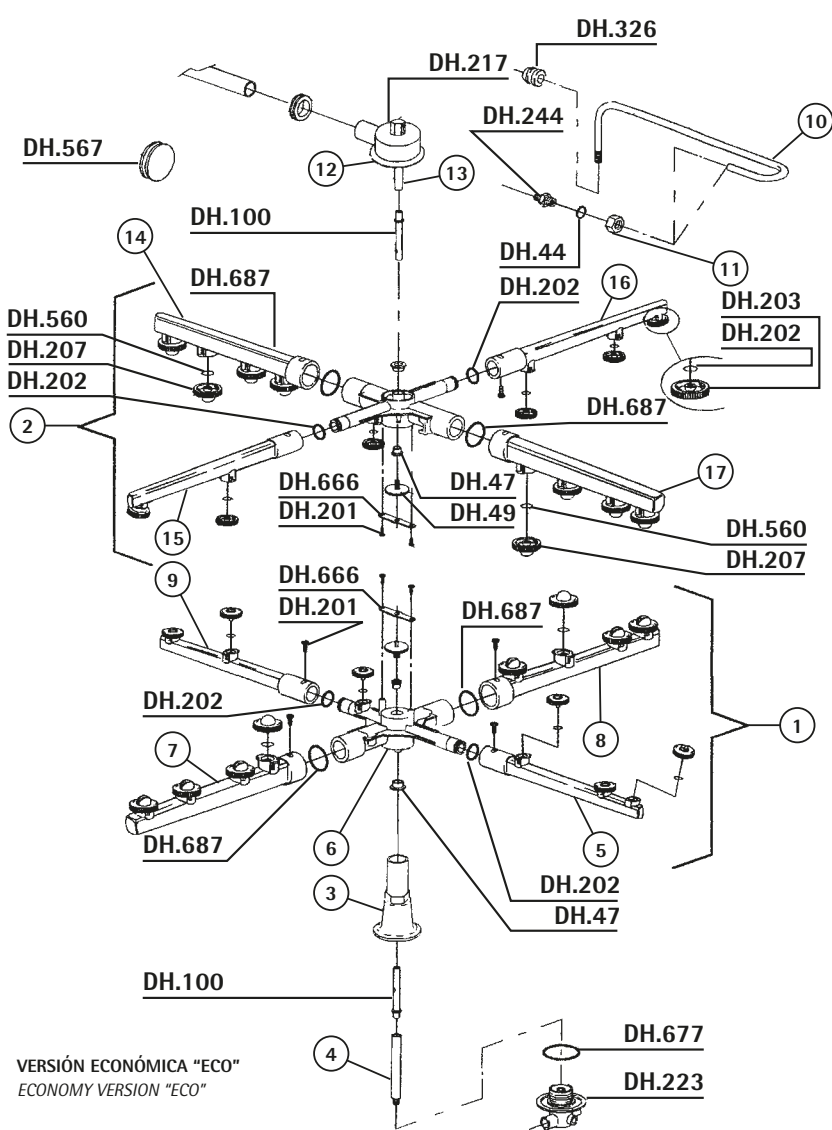
Buen trabajo.

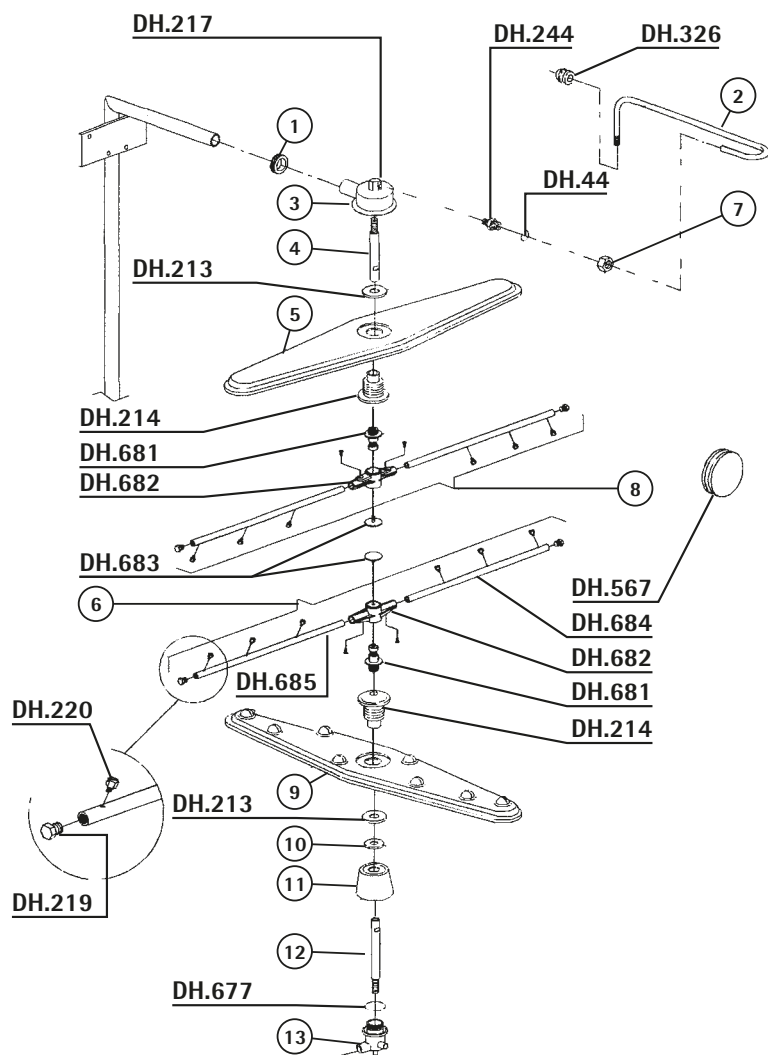


REF.	DESCRIPCIÓN	DESCRIPTION
DH..44	TORICA VITON	VITON RING
DH.212	CASQUILLO	CAP
DH.213	ARANDELA	WASHER
DH.214	RACOR	FITTING
DH.215	ASTA LAVADO	WASHING ARM
DH.217	CODO ACLARADO	RINSE ELBOW
DH.219	TAPON ARBOL ACLARADO	RINSE ARM CAP
DH.220	ROCIADOR ACLARADO	RINSE SPRAY
DH.223	COLECTOR	COLLECTOR
DH.244	RACOR	FITTING
DH.326	UNION	JUNCTION
DH.498	COLECTOR GS-120	GS-120 COLLECTOR
DH.567	JUNTA	GASKET
DH.677	JUNTA COLECTOR INFERIOR	LOWER COLECTOR GASKET
DH.681	SOPORTE GIRATORIO INFERIOR	LOWER GIRATORY INFERIEUR
DH.682	UNION GIRATORIO	GIRATORY UNION
DH.683	TORNILLO GIRATORIO	GIRATORY SCREW
DH.684	BRAZO GIRATORIO DERECHO INOX	INOX RIGHT GIRATORY ARM
DH.685	BRAZO GIRATORIO IZQUIERDO INOX	INOX LEFT GIRATORY ARM



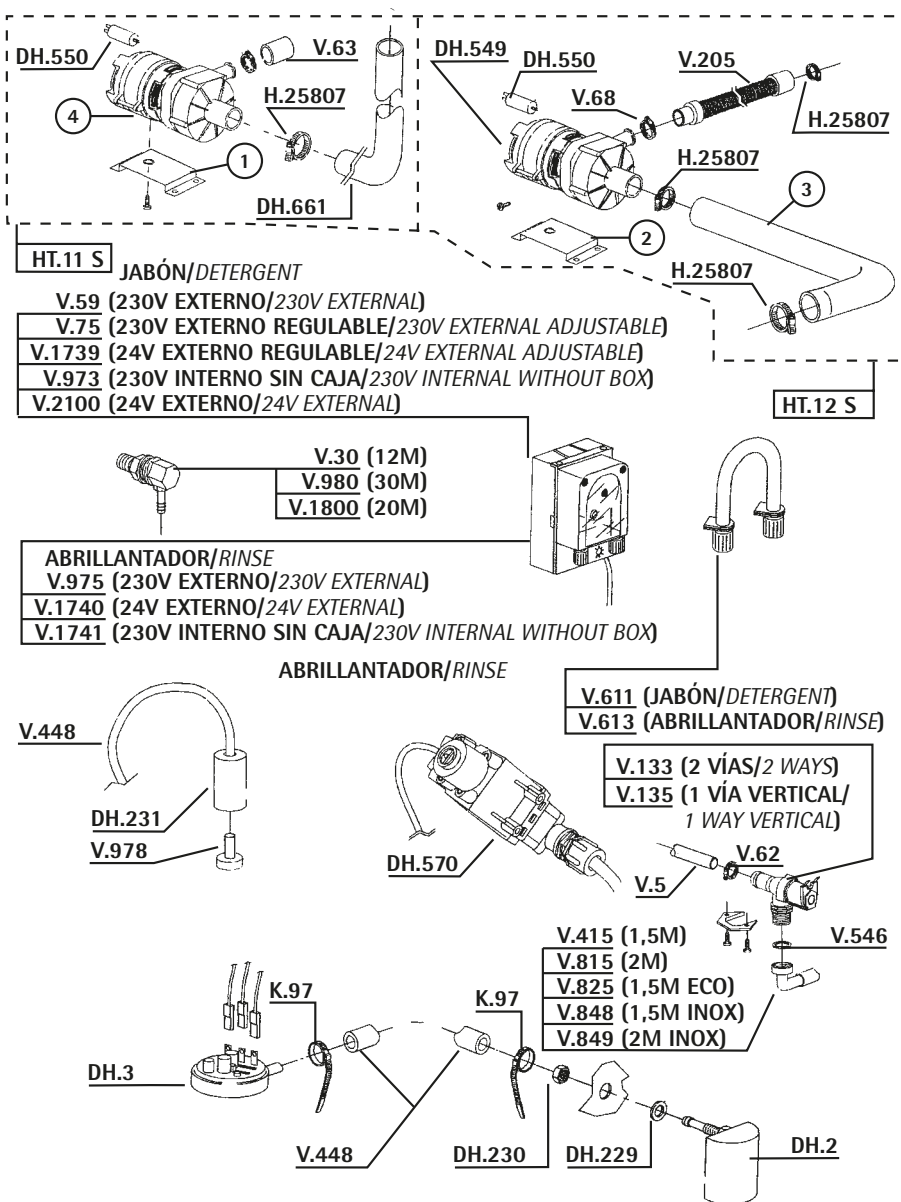
REF.	DESCRIPCIÓN	DESCRIPTION
DH..44	TORICA VITON	VITON RING
DH..47	CASQUILLO PLASTICO	CAP
DH..49	FIJACION ARBOL LAV./ACL	WASH/RINSE TREE FIRMNESS
DH.100	EJE ACLARADO SUP./INF.	UPPER LOWER CLEAR ROD
DH.201	TORNILLO	SCREW
DH.202	TORICA VITON	VITON RING
DH.203	ROCIADOR ACLARADO	RINSE SPRAY
DH.207	ROCIADOR LAVADO	WASHING SPRAY
DH.217	CODO ACLARADO	RINSE ELBOW
DH.223	COLECTOR	COLLECTOR
DH.244	RACOR	FITTING
DH.326	UNION	JUNCTION
DH.560	JUNTA DIFUSOR	SPRAY GASKET
DH.567	JUNTA	GASKET
DH.666	PLACA GIRATORIO	GIRATORY PLATE
DH.677	JUNTA COLECTOR INFERIOR	LOWER COLECTOR GASKET
DH.687	JUNTA UNION BRAZO GIRATORIO	GIRATORY ARM GASKET





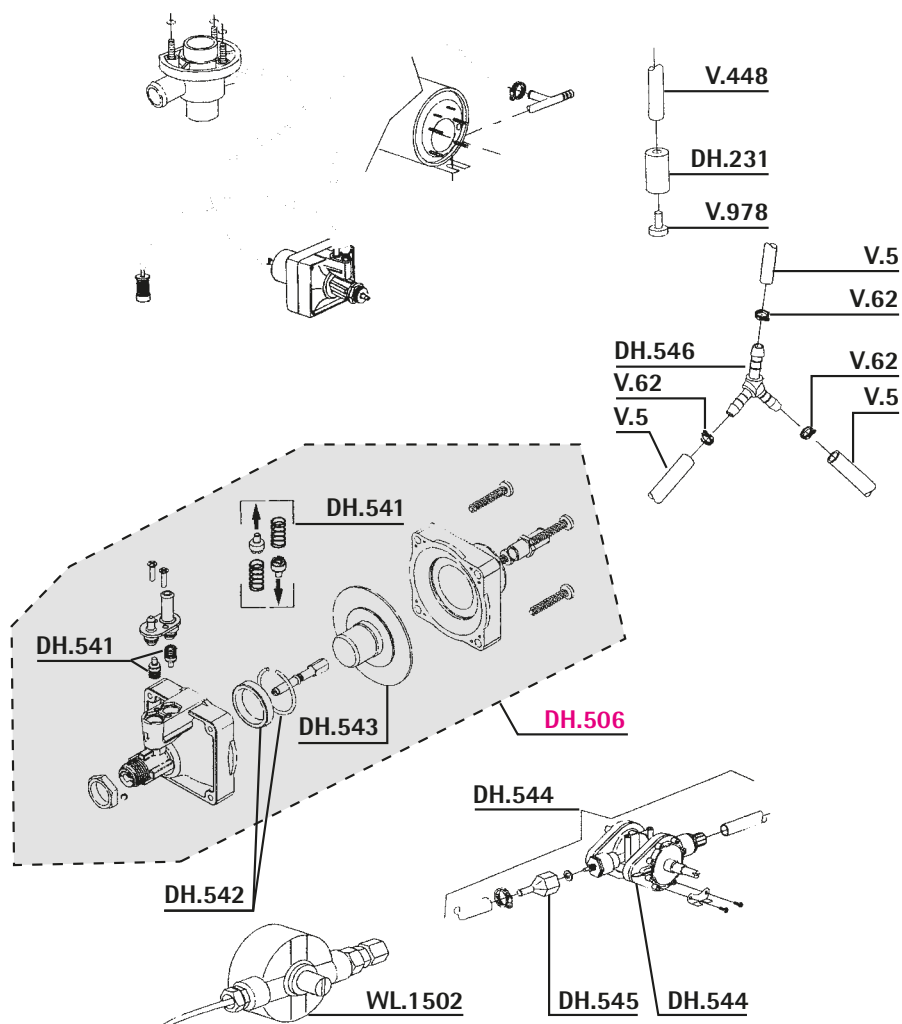
REF.	DESCRIPCIÓN	DESCRIPTION
DH..44	TORICA VITON	VITON RING
DH.213	ARANDELA	WASHER
DH.214	RACOR	FITTING
DH.217	CODO ACLARADO	RINSE ELBOW
DH.219	TAPON ARBOL ACLARADO	RINSE ARM CAP
DH.220	ROCIADOR ACLARADO	RINSE SPRAY
DH.244	RACOR	FITTING
DH.326	UNION	JUNCTION
DH.567	JUNTA	GASKET
DH.677	JUNTA COLECTOR INFERIOR	LOWER COLECTOR GASKET
DH.681	SOPORTE GIRATORIO INFERIOR	LOWER GIRATORY INFERIEUR
DH.682	UNION GIRATORIO	GIRATORY UNION
DH.683	TORNILLO GIRATORIO	GIRATORY SCREW
DH.684	BRAZO GIRATORIO DERECHO INOX	INOX RIGHT GIRATORY ARM
DH.685	BRAZO GIRATORIO IZQUIERDO INOX	INOX LEFT GIRATORY ARM

Componentes eléctricos HT11S / HT12S ■ HT11S / HT12S Electric components

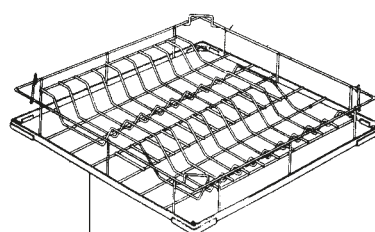


REF.	DESCRIPCIÓN	DESCRIPTION
DH...2	CAMARA PRESOSTATICA	PRESSURE SWITCH CHAMBER
DH...3	PRESOSTATO SAL	55/30 HORIZ.PRESS.SWITCH
DH.229	JUNTA ALIMENTARIA	ALIMENTARY GASKET
DH.230	TUERCA INOX	NUT
DH.231	PESO FILTRO	FILTER FITTING
DH.549	MOTOR 0,10 HP 230V 50HZ	MOTOR 0,10HP 230V 50HZ
DH.550	CONDENSADOR 5MF 450V	5MF 450V CONDENSER
DH.570	DOSIFICADOR ABRILLANTADOR	RISE AND DOSSIMETER
DH.661	TUBO	PIPE
H25807	ABRAZADERA 25-40	25-40 CLAMP
K...97	BRIDA NYLON	5X24mm NYLON CLASP
V...5	TUBO GOMA 10X16 20 ATM	20ATM 10X17 RUBBER PIPE
V...30	RACOR ENTRADA JABON	INLET SOAP FITTING
V...59	DOSIFICADOR PERISTALTICO	DOSIMETER
V...63	ABRAZADERA 20-32	20-35 CLAMP
V...68	ABRAZADERA 32-50	35-50 CLAMP
V...75	DOSIF.PERISTALTICO REGULA	ADJUSTABLE DOSIMETER
V.133	ELECTROVAL.2 VIA LAV.220V	WASH 2 WAYS 220V SOLENOID
V.135	ELECTR.1 VIA SAL.VERTICAL	VERTICAL EXIT 1 WAY SOLEN
V.205	DESAGÜE EXTENSIB.2mt.22x28mm	2mt EXTENSIBLE OUT PIPE
V.415	TOMA LAVADORA 1,5M	QUALITY 1.5M.INLET W.FLEX
V.448	TUBO PRESOSTATO-METRO 4X6	4X6 PRE.SWITCH INLET PIPE
V.546	JUNTA GOMA 3/4	WATER INLET RUBBER GASKET
V.611	TUBO INTERIOR DOS.PER. JABON	INLET PIPE
V.613	TUBO INTERIOR DOS.PER.ABRILLAN	RINS.AID INSIDE PIPE
V.815	TOMA LAVADORA 2 METROS	2 MT.INLET WATER FLEXIBLE
V.825	TOMA LAVADORA 1.5 "ECO"	"ECO"1.5M INLET WA.FLEXIB
V.848	TOMA LAVADORA 1.5M INOX	INOX 1.5M INLET WATER FL.
V.849	TOMA LAV.INOX 2MT.3/4X3/4	INOX 2MT.INLET WATER FLE.
V.973	DOSIFICADOR PERISTALTICO INTER	INTERNAL PERISTALTIC DOS.
V.975	DOSIF.ABRILLAN.EXTERNO 24Vac	EXTERNAL RINSE DOSIMETER
V.978	FILTRO DOSIFICADOR	DOSIMETER FILTER
V.980	RACOR ENTRADA JABON LARGO	LONG INLET FITTING
V.1739	DOSIF.PERISTAL.REGULABLE 24Vac	24Vac ADJUSTABLE DOSIMETER
V.1740	DOSIF.ABRILLAN.EXTERNO 24Vac	24Vac EXTERNAL RINSE DOSIMETER
V.1741	DOSIF.ABRILL.INTERNO 230V AC	230Vac INTERNAL RINSE DOSIMET
V.1800	RACOR ENTRADA JABON METALICO	METALIC DETER.INLET FITTING
V.2100	DOSIFICADOR PERISTAL.JABON 24V	24V SOAP DOSIMETER

REF.	DESCRIPCIÓN	DESCRIPTION
DH.231	PESO FILTRO	FILTER FITTING
DH.506	DOSIFICADOR ABRILLANTADOR	
DH.541	VALVULA DOSIFICADOR	DOSIMETER VALVE
DH.542	JUNTA DOSIFICADOR 22	DOSIMETER GASKET 22
DH.543	MEMBRANA DOSIFICADOR ABRILLANT	MEMBRANE RISE AND DOSSIMETER
DH.544	DOSIFICADOR ABRILLANTADOR	RISE AND DOSSIMETER
DH.545	RACOR DOSIFICADOR	RISE RACCORD
DH.546	RACOR 10MM	RACCORD 10MM
V...5	TUBO GOMA 10X16 20 ATM	20ATM 10X17 RUBBER PIPE
V...62	ABRAZADERA 12-20	12-20 CLAMP
V.448	TUBO PRESOSTATO-METRO 4X6	4X6 PRE.SWITCH INLET PIPE
V.978	FILTRO DOSIFICADOR	DOSIMETER FILTER
WL1502	DOSIFICADOR ABRILLANTADOR	RINSE AID DOSIMETER



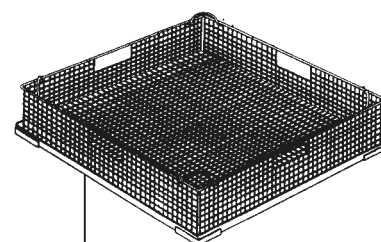
REF.	DESCRIPCIÓN	DESCRIPTION
DH.459	CESTO CUADRO VASOS 37X37	37X37 GLASSES BASKET
DH.460	CESTO CUADRO PLATOS 37X37	37X37 DISH BASKET
V...29	CESTO CUADRO PLATOS 40x40	40X40 SQUARE PLATE BASKET
V...32	CESTO CUCHARAS PLASTICO	PLASTIC SPOON BASKET
V..173	INSERTO PLATOS 30CMT.	30CMT DISHES INSERT
V..175	INSERTO PLATOS 42CMT.	42CMT DISHES INSERT
V..526	CESTO CUCHARAS CUADRADO	SQUARE SPOON BASKET
V..610	CANTONERA CESTO CUADRADO	BASKET SQUARE CORNERPIECE
V..843	CESTO CUADRO PLATOS 34X34	34X34 DISH BASKET
V..844	CESTO CUADRO VASOS 34X34	34X34 GLASSES BASKET
V..964	INSERTO PLATOS 36cm	36cm DISHES INSERT
V.1250	CESTA VASOS 50X50	50X50 GLASSES RACK
V.1252	CEST.PLATOS-BANDEJA 50X50	PLATES AND TRAYS RACK
WL3511	CESTO CUADRO VASOS 40x40	40X40 GLASSES BASKET



DH.460 (37x37)

V.29 (40x40)

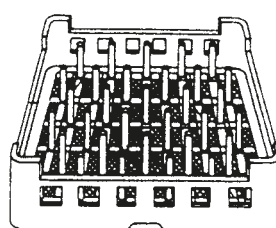
V.843 (34x34)



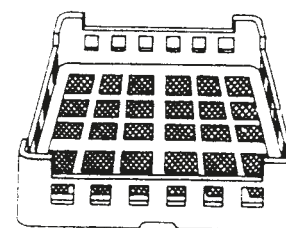
DH.459 (37x37)

WL.3511 (40x40)

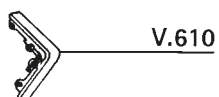
V.844 (34x34)



V.1252 (50 x 50)



V.1250 (50 x 50)



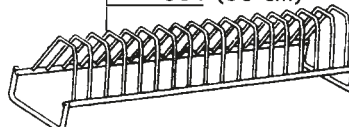
V.610

GAMA COMPLETA
COMPLET RANGE Pág.34

V.173 (30 cm)

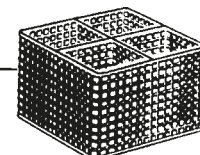
V.175 (42 cm)

V.964 (36 cm)



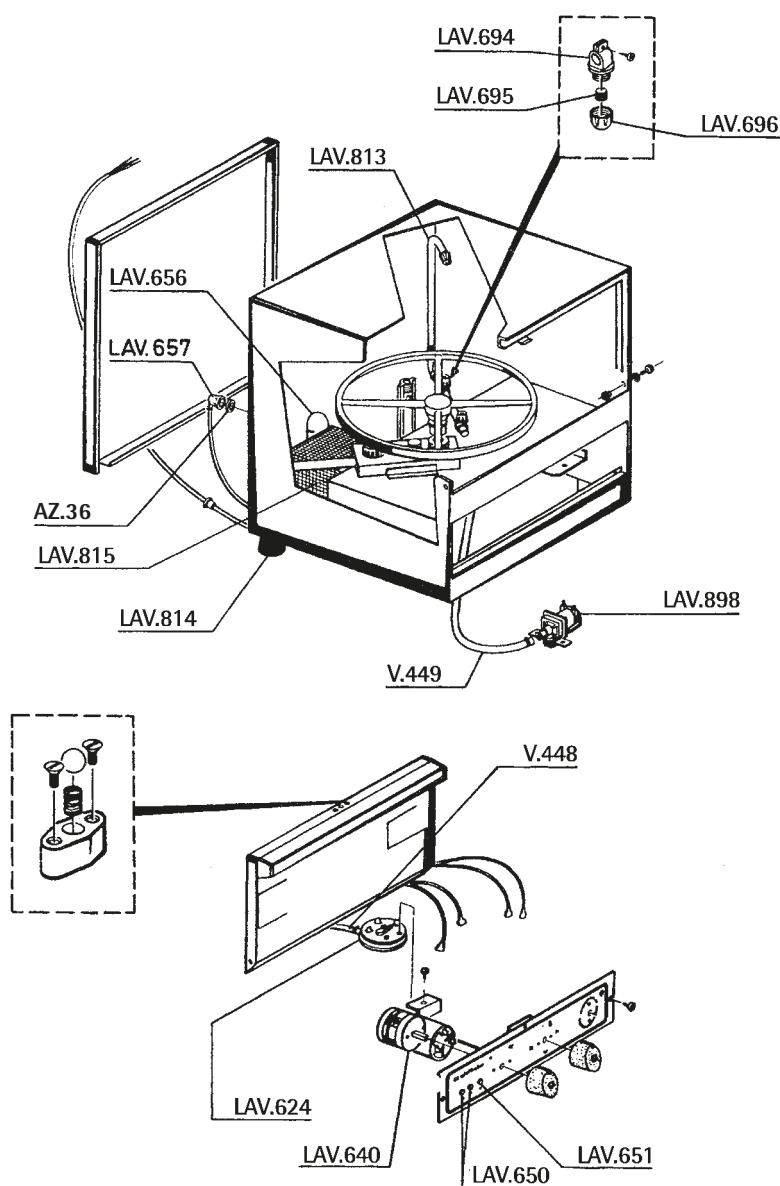
V.526

V.32



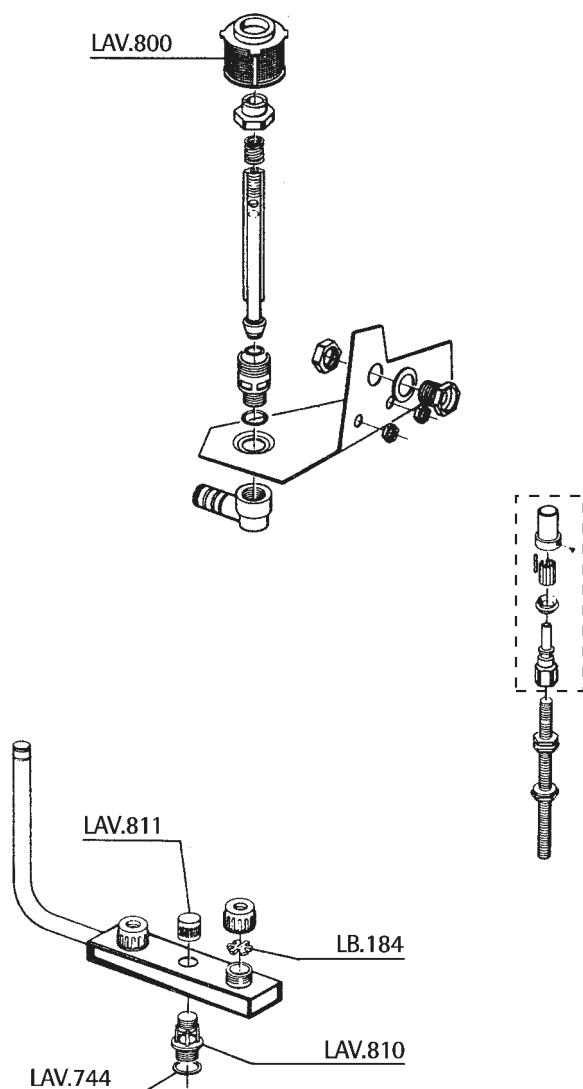
R-495 (HOBBY)	R-495 (HOBBY)	798-799
R-497 (JET) R-499 (RIVER)	R-497 (JET) R-499 (RIVER)	800-801
R-501 - 503 - 505 - 507	R-501 - 503 - 505 - 507	802-803
R-509 - 511 - 704	R-509 - 511 - 704	804-805
R-706 - 708	R-706 - 708	806-807
S-621 - 623 - 624 - 626 - 631 - 633- 634 -636	S-621 - 623 - 624 - 626 - 631 - 633- 634 -636	808-809
RS-624 - 626 - 634 - 636	RS-624 - 626 - 634 - 636	810
RS-654 - 815 - 835	RS-654 - 815 - 835	811-812
S-651 - R-651- P-653 - 654 - 655 - 810 - 815 - 830- 835	S-651 - R-651- P-653 - 654 - 655 - 810 - 815 - 830- 835	813-816
11 R-F	11R-F	817-819
PLUS 22F-R	PLUS 22F-R	820-822
35-350 / 40-400 F/R	35-350 / 40-400 F/R	823-825
50-500F	50-500F	826-828
Motores serie S/F/R	Serie S/F/R Motors	829
Componentes motor Serie S/F/R	Serie S/F/R Motor components	830
Calderín / Varios E35-40	E35-40 Various/ Boiler	831
Carrocería / Componentes eléctricos E35-40	E35-40 Electric components / Bodywork	832
Lavado / Aclarado E35-40	E35-40 Rinse / Wash	833
Puerta / Componentes eléctricos E35 / E35H / E40 / E40H 11/2006	E35 / E35H / E40 / E40H 11/2006 Electric components / Door	834
Depurador / Filtro / Calderín E35 / E35H / E40 / E40H 11/2006	E35 / E35H / E40 / E40H 11/2006 Boiler / Filter / Purifier	835
Lavado / Aclarado / Motor E35 / E35H 11/2006	E35 / E35H 11/2006 Wash / Rinse / Motor	836
Lavado / Aclarado / Motor E40 / E40H 11/2006	E40 / E40H 11/2006 Wash / Rinse / Motor	837
Carrocería / Componentes eléctricos E45	E45 Electric components / Bodywork	838
Calderín / Varios E45	E45 Various / Boiler	839
Lavado / Aclarado E45	E45 Rinse / Wash	840
Puerta / Componentes eléctricos E45 11/2006	E45 11/2006 Electric components/ Door	841
Calderín / Dosificador abrillantador E45 11/2006	E45 11/2006 Rinse aid / Boiler	842
Depurador / Filtro / Bomba desagüe E45 11/2006	E45 11/2006 Drain pipe / Filter / Purifier	843
Lavado / Aclarado E45 11/2006	E45 11/2006 Rinse/ Wash	844
Motor E45 11/2006	E45 11/2006 Motor	845
Varios E45 / 46 / 50 / 51	E45 / 46 / 50 / 51 Various	846
Carrocería / Componentes eléctricos E46 / 50 / 51	E46 / 50 / 51 Electric components/ Bodywork	847
Calderín / Varios E46 / 50 / 51	E46 / 50 / 51 Various / Boiler	848
Lavado / Aclarado E46	E46 Rinse / Wash	849
Lavado / Aclarado E50 / 51	E50 / 51 Rinse / Wash	850
Puerta / Componentes eléctricos E50 / E51 11/2005	E50 / E51 11/2005 Electric components / Door	851
Calderín / Bomba desagüe E50 / E51 11/2005	E50 / E51 11/2005 Drain pump / Boiler	852
Depurador / Filtro / Bomba desagüe E50 / E51 11/2005	E50 / E51 11/2005 Drain pump / Filter / Purifier	853
Filtro / Distribuidor E50 / E51 11/2005	E50 / E51 11/2005 Distributor / Filter	854
Lavado / Aclarado E50 / E51 11/2005	E50 / E51 11/2005 Rinse / Wash	855
E-55	E-55	856-859
E-60	E-60	860-863
Motores E-35 / 40 / 45 / 50 / 51	E-35 / 40 / 45 / 50 / 51 Motors	864-867
E-100 / 110 / 120 / 140	E-100 / 110 / 120 / 140	868-877
RIVER 50 / 61	RIVER 50 / 61	878-880
RIVER 80 / 81 / 82 - E-78	RIVER 80 / 81 / 82 - E-78	881-890
NIAGARA	NIAGARA	891-897
Cestos	Baskets	898-899

R-495 (HOBBY) - 1 ■ R-495 (HOBBY) - 1

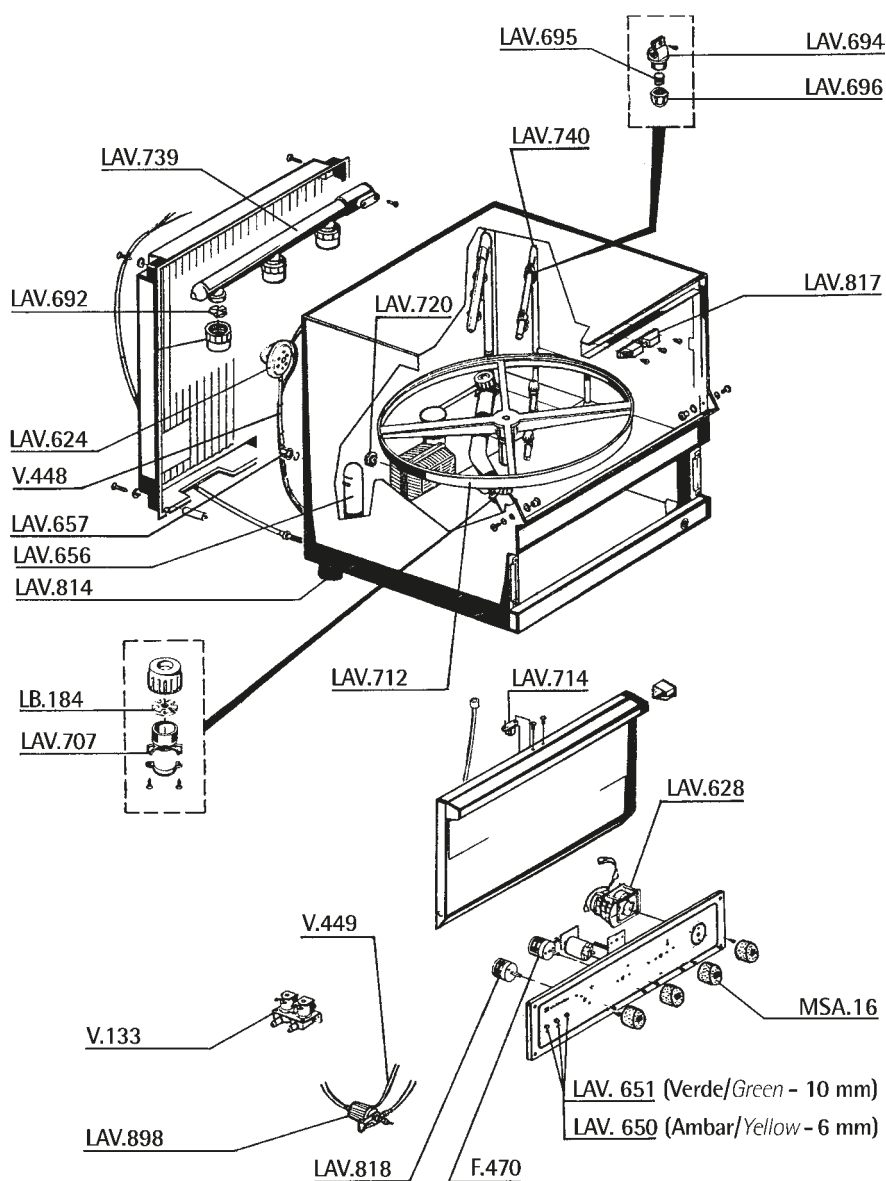


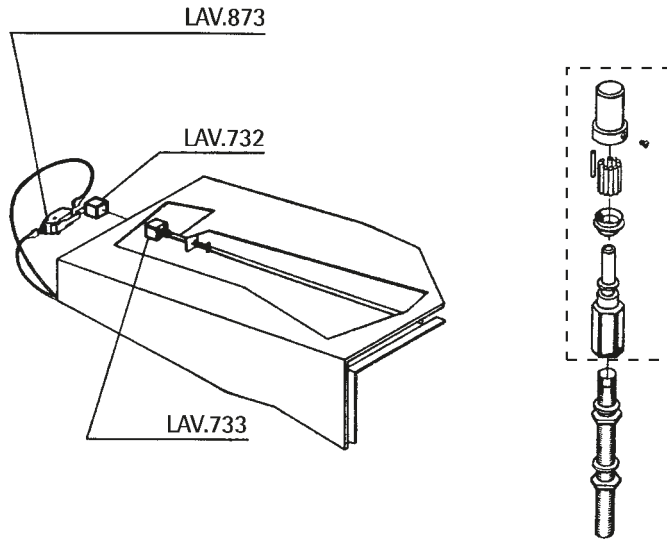
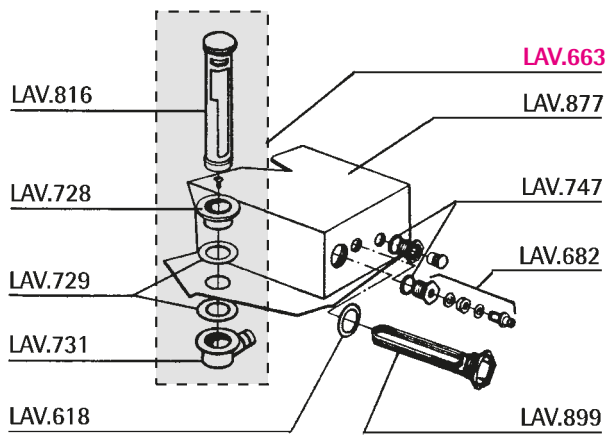
REF.	DESCRIPCIÓN	DESCRIPTION
AZ..36	TORICA GOMA	EPDM RING
LAV624	PRESOSTATO SAL.HOR.110/60	110/60 HORIZ.PRESS.SWITCH
LAV640	INTERRUPTOR GENERAL 250V	GENERAL SWITCH
LAV650	PILOTO AMARILLO 6mm C/CAB	6mm.YELLOW W/WIRING LAMP
LAV651	PILOTO VERDE 10mm C.CABLE	10mm GREEN W.WIRING LAMP
LAV656	CAMPANA PRESOSTATO	PRESSURE SWITCH BELL
LAV657	RACOR CAMPANA	PRESSURE SWITCH FITTING
LAV694	BRIDA ACLARADO SERIE «R»	R CLEAR CLASP
LAV695	ESPIRAL ACLARADO SERIE R	CLEAR SPIRAL
LAV696	RACOR ACLAR. SERIE «R»	SERIE R RINSE FITTING
LAV813	ASTA ACLARADO R-495	R-495 RINSE ARM
LAV814	PIE MAQUINA	MACHINE FOOT
LAV815	FILTRO BOMBA R-495	R-495 PUMP FILTER
LAV898	DOSIFICADOR ABRILLANTADOR	RINSE AID DOSIMETER
V..448	TUBO PRESOSTATO-METRO 4X6	4X6 PRE.SWITCH INLET PIPE
V..449	TUBO NYLON 4X6mm (1MT)	(1M) 4X6mm NYLON PIPE

REF.	DESCRIPCIÓN	DESCRIPTION
LAV744	JUNTA SOPORTE ALIMENTARIA	SUPPORT KLINGERIT GASKET
LAV800	FILTRO BOMBA «HOBBY»R495	R495 HOBBY PUMP FILTER
LAV810	RACOR BOMBA R-495	R-495 PUMP FITTING
LAV811	PERNO BRAZO LAVADO R-495	R-495 RINSE ARM BOLT
LB.184	ESTRANG.LAVADO C.AGUJERO	WITH HOLE WASHING SWIRL



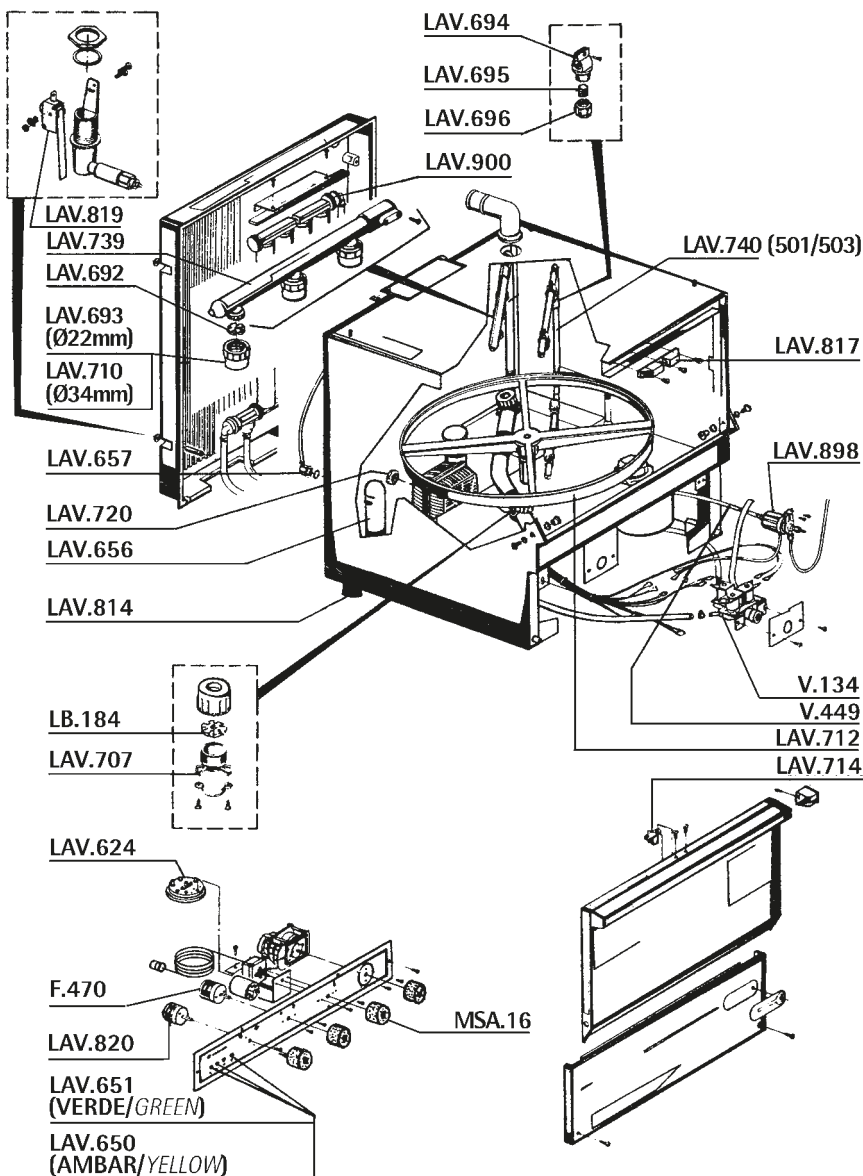
REF.	DESCRIPCIÓN	DESCRIPTION
F.470	INTERRUP.COMPACT 2POS.12A	2POS.12A COMPACT FAEMA S.
LAV624	PRESOSTATO SAL.HOR.110/60	110/60 HORIZ.PRESS.SWITCH
LAV628	ARTICULO DADO DE BAJA	CANCEL
LAV650	PILOTO AMARILLO 6mm C/CAB	6mm.YELLOW W/WIRING LAMP
LAV651	PILOTO VERDE 10mm C.CABLE	10mm GREEN W.WIRING LAMP
LAV656	CAMPANA PRESOSTATO	PRESSURE SWITCH BELL
LAV657	RACOR CAMPANA	PRESSURE SWITCH FITTING
LAV692	HELICE LAVADO	WASHING PROPELLER
LAV694	BRIDA ACLARADO SERIE «R»	R CLEAR CLASP
LAV695	ESPIRAL ACLARADO SERIE R	CLEAR SPIRAL
LAV696	RACOR ACLAR. SERIE «R»	SERIE R RINSE FITTING
LAV707	ABRAZADERA LAVADO SERIE R	SERIE R WASHER CLAMP
LAV712	VOLANTE 39.5CM.	39.5CM.ROTATING PLATE
LAV714	CIERRE PUERTA MOVIL	MOVIBLE CLOSING DOOR
LAV720	POMO FILTRO	R501/505 FILTER HANDLE
LAV739	TERMINAL BRAZO DE LAVADO	WASHING ARM TERMINAL
LAV740	TUB.ACLA.R497/499/501/503	R-497/499/501/503 RI.PIPE
LAV814	PIE MAQUINA	MACHINE FOOT
LAV817	CIERRE PUERTA FIJO	FIXED CLOSING DOOR
LAV818	CONMUTADOR FRIO-CALIENTE	COOL-HOT SWITCH
LAV898	DOSIFICADOR ABRILLANTADOR	RINSE AID DOSIMETER
LB.184	ESTRANG.LAVADO C.AGUJERO	WITH HOLE WASHING SWIRL
MSA.16	POMO TIMER	TIMER HANDLE
V.133	ELECTROVAL.2 VIA LAV.220V	WASH 2 WAYS 220V SOLENOID
V.448	TUBO PRESOSTATO-METRO 4X6	4X6 PRE.SWITCH INLET PIPE
V.449	TUBO NYLON 4X6mm (1MT)	(1M) 4X6mm NYLON PIPE



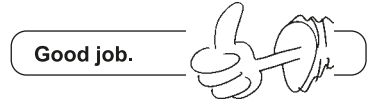


REF.	DESCRIPCIÓN	DESCRIPTION
LAV618	JUNTA RESISTENCIA ALIMENTARIA	RESISTANCE ALIMENTARY GASKET
LAV663	GRUPO DESCARGA	OUTLET GROUP
LAV682	MEZCLADOR	MEDDLER
LAV728	SOPORTE TAPON DESAGÜE	INLET CAP SUPPORT
LAV729	JUNTA GOMA TAPON DESAGÜE	DRAIN CAP RUBBER GASKET
LAV731	PIPA DES.R500/501/509/511	R500-501-509-511 DRAIN PI
LAV732	IMAN PARA MICRO	SWITCH MAGNET
LAV733	IMAN PARA ASTA	ARM MAGNET
LAV747	JUNTA VAINA KLINGERIT	KLINGERIT GASKET
LAV816	SOBRENIVEL	OVERFLOW
LAV873	MICRO PUERTA 250V 16A	250V 16A DOOR MICROSWITCH
LAV877	CALDERIN	BOILER
LAV899	RESIST.CALDERIN 2000W 230V	2000W 230V RESISTANCE

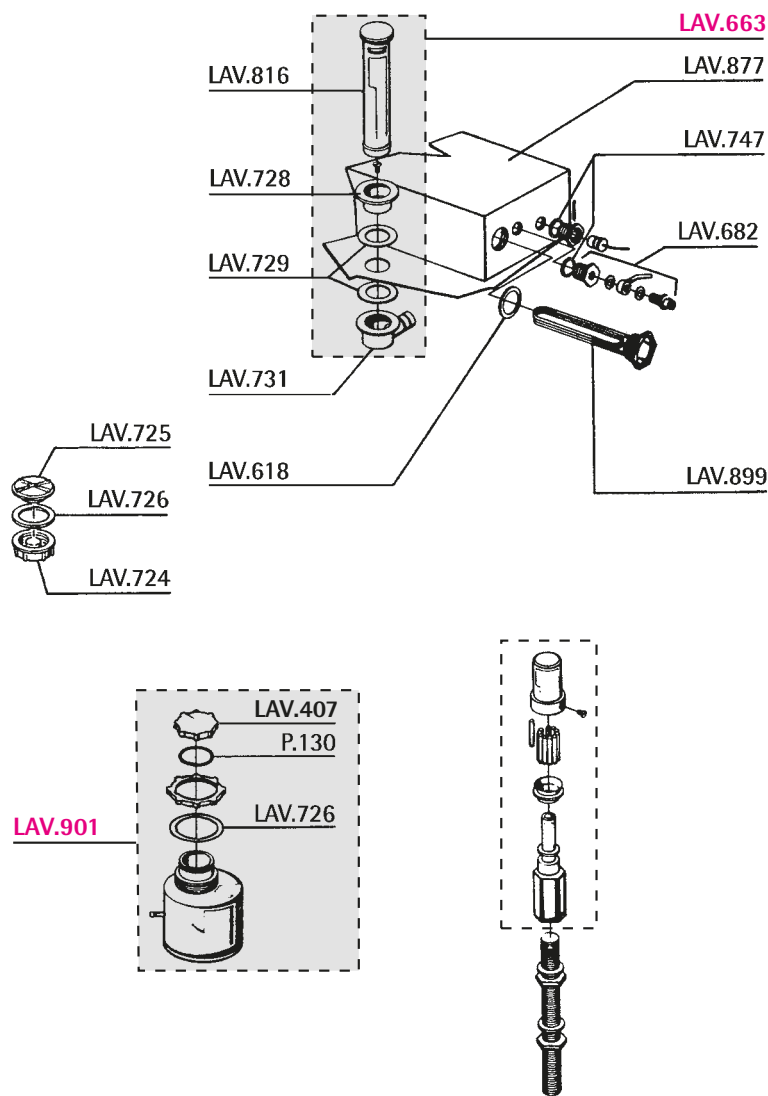
R-501 - 503 - 505 - 507 (1) ■ R-501 - 503 - 505 - 507 (1)



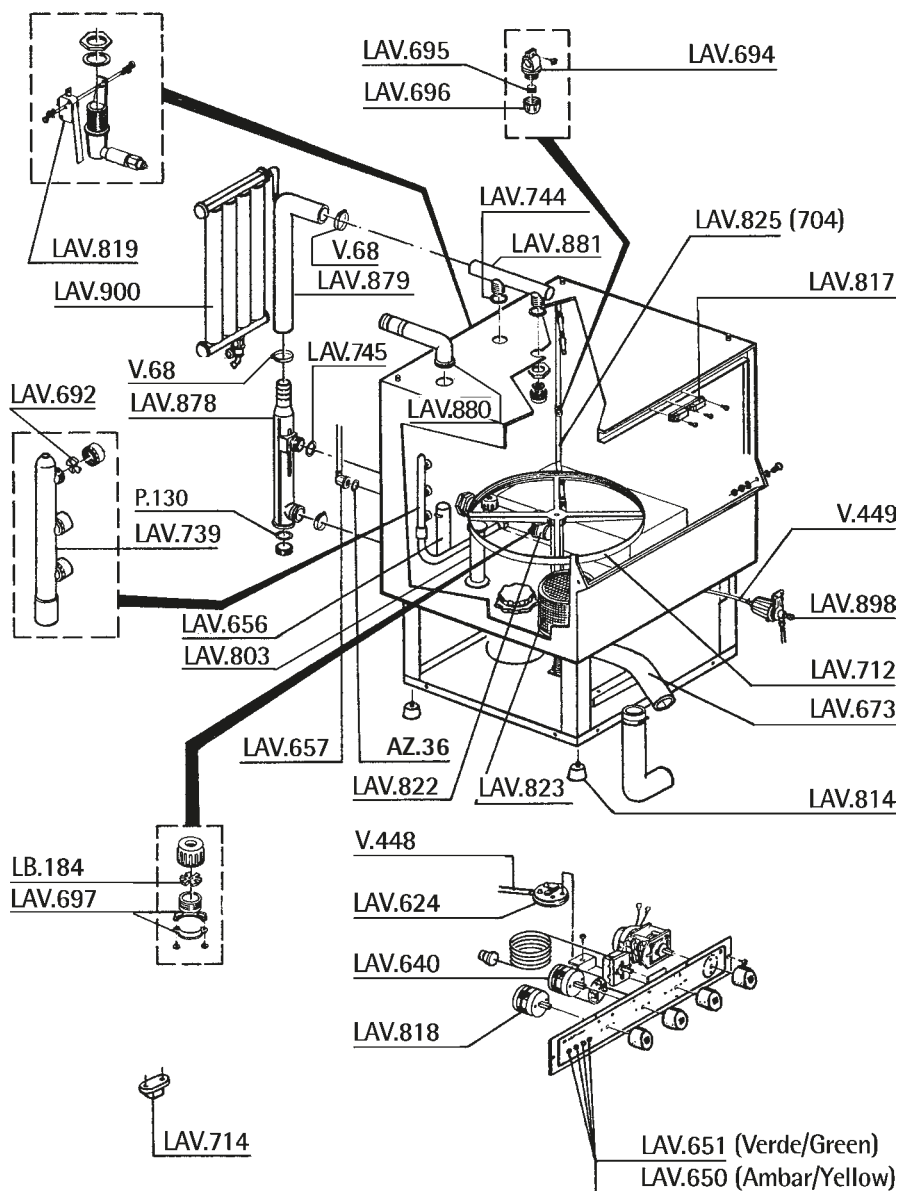
REF.	DESCRIPCIÓN	DESCRIPTION
F.470	INTERRUP.COMPACT 2POS.12A	2POS.12A COMPACT FAEMA S.
LAV624	PRESOSTATO SAL.HOR.110/60	110/60 HORIZ.PRESS.SWITCH
LAV650	PILOTO AMARILLO 6mm C/CAB	6mm.YELLOW W/WIRING LAMP
LAV651	PILOTO VERDE 10mm C.CABLE	10mm GREEN W.WIRING LAMP
LAV656	CAMPANA PRESOSTATO	PRESSURE SWITCH BELL
LAV657	RACOR CAMPANA	PRESSURE SWITCH FITTING
LAV692	HELICE LAVADO	WASHING PROPELLER
LAV694	BRIDA ACLARADO SERIE «R»	R CLEAR CLASP
LAV695	ESPIRAL ACLARADO SERIE R	CLEAR SPIRAL
LAV696	RACOR ACLAR. SERIE «R»	SERIE R RINSE FITTING
LAV707	ABRAZADERA LAVADO SERIE R	SERIE R WASHER CLAMP
LAV710	SURTIDOR LAVADO DIM.34mm	DIM.34mmBIG WASHING SPRAY
LAV712	VOLANTE 39.5CM.	39.5CM.ROTATING PLATE
LAV714	CIERRE PUERTA MOVIL	MOVIBLE CLOSING DOOR
LAV720	POMO FILTRO	R501/505 FILTER HANDLE
LAV739	TERMINAL BRAZO DE LAVADO	WASHING ARM TERMINAL
LAV740	TUB.ACLA.R497/499/501/503	R-497/499/501/503 RI.PIPE
LAV814	PIE MAQUINA	MACHINE FOOT
LAV817	CIERRE PUERTA FIJO	FIXED CLOSING DOOR
LAV819	MICRO PUERTA	DOOR MICROSWITCH
LAV820	CONMUTADOR FRIO-CALIENTE	COOL-HOT SWITCH
LAV898	DOSIFICADOR ABRILLANTADOR	RINSE AID DOSIMETER
LAV900	DEPURADOR LAVATAZAS	WASHING CUP PURIFIER
LB.184	ESTRANG.LAVADO C.AGUJERO	WITH HOLE WASHING SWIRL
MSA.16	POMO TIMER	TIMER HANDLE
V.134	ELECTROVAL.3VIA LAV.220V	WASH 3 WAYS 220V SOLENOID
V.449	TUBO NYLON 4X6mm (1MT)	(1M) 4X6mm NYLON PIPE

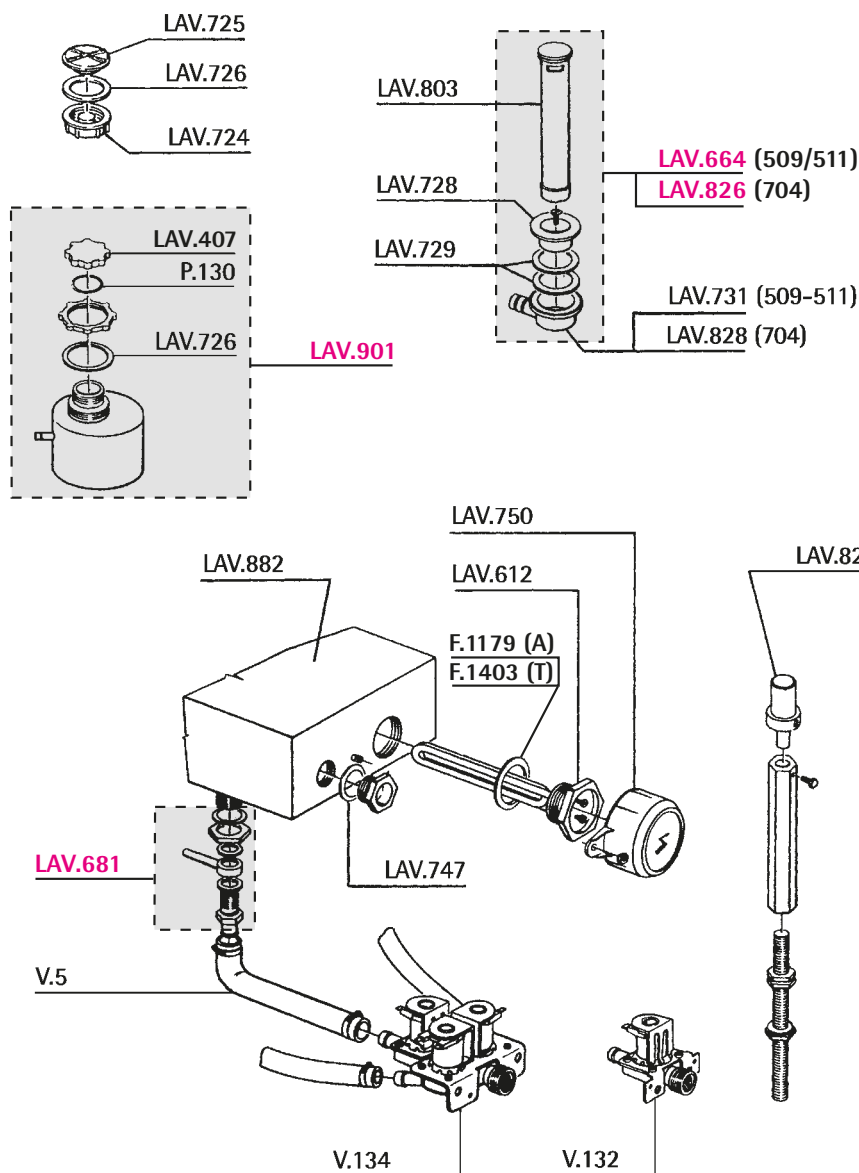


REF.	DESCRIPCIÓN	DESCRIPTION
LAV407	TAPON DEPOSITO SAL	SALT TANK CAP
LAV618	JUNTA RESISTENCIA ALIMENTARIA	RESISTANCE ALIMENTARY GASKET
LAV663	GRUPO DESCARGA	OUTLET GROUP
LAV682	MEZCLADOR	MEDDLER
LAV724	TUERCA DEPOSITO SAL	SALT CONTAINER NUT
LAV725	TAPON BOTELLA SAL	SALT BOTTLE CAP
LAV726	JUNTA GOMA BOTELLA SAL	BOTTLE SALT RUBBER GASKET
LAV728	SOPORTE TAPON DESAGÜE	INLET CAP SUPPORT
LAV729	JUNTA GOMA TAPON DESAGÜE	DRAIN CAP RUBBER GASKET
LAV731	PIPA DES.R500/501/509/511	R500-501-509-511 DRAIN PI
LAV747	JUNTA VAINA KLINGERIT	KLINGERIT GASKET
LAV816	SOBRENIVEL	OVERFLOW
LAV877	CALDERIN	BOILER
LAV899	RESIST.CALDERIN 2000W 230V	2000W 230V RESISTANCE
LAV901	DEPOSITO SAL COMPLETO	SALT CONTAINER
P.130	TORICA EPDM	RING

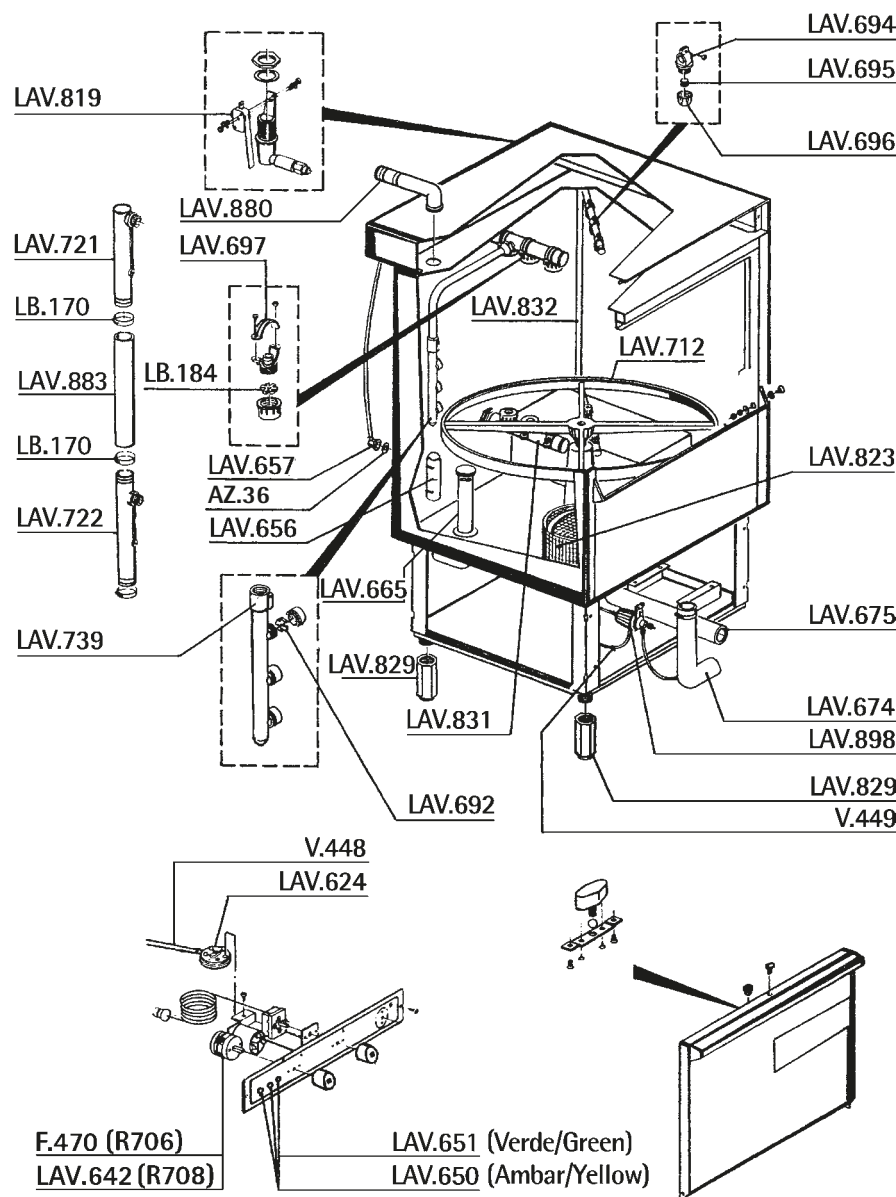


REF.	DESCRIPCIÓN	DESCRIPTION
AZ..36	TORICA GOMA	EPDM RING
LAV624	PRESOSTATO SAL.HOR.110/60	110/60 HORIZ.PRESS.SWITCH
LAV640	INTERRUPTOR GENERAL 250V	GENERAL SWITCH
LAV650	PILOTO AMARILLO 6mm C/CAB	6mm.YELLOW W/WIRING LAMP
LAV651	PILOTO VERDE 10mm C.CABLE	10mm.GREEN W.WIRING LAMP
LAV656	CAMPANA PRESOSTATO	PRESSURE SWITCH BELL
LAV657	RACOR CAMPANA	PRESSURE SWITCH FITTING
LAV673	TUBO EXPULSION	FLEXIBLE PIPE
LAV692	HELICE LAVADO	WASHING PROPELLER
LAV694	BRIDA ACLARADO SERIE «R»	R CLEAR CLASP
LAV695	ESPIRAL ACLARADO SERIE R	CLEAR SPIRAL
LAV696	RACOR ACLAR. SERIE «R»	SERIE R RINSE FITTING
LAV697	BRIDA LAVADO GRANDE	BIG CLEAR CLASP
LAV712	VOLANTE 39.5CM.	39.5CM.ROTATING PLATE
LAV714	CIERRE PUERTA MOVIL	MOVIBLE CLOSING DOOR
LAV739	TERMINAL BRAZO DE LAVADO	WASHING ARM TERMINAL
LAV744	JUNTA SOPORTE ALIMENTARIA	SUPPORT KLINGERIT GASKET
LAV745	JUNTA RACOR ALIMENTARIA	FITTING ALIMENTARY GASKET
LAV803	SOBRENIVEL	OVERFLOW
LAV814	PIE MAQUINA	MACHINE FOOT
LAV817	CIERRE PUERTA FIJO	FIXED CLOSING DOOR
LAV818	CONMUTADOR FRIO-CALIENTE	COOL-HOT SWITCH
LAV819	MICRO PUERTA	DOOR MICROSWITCH
LAV823	FILTRO BOMBA	PUMP FILTER
LAV825	ASTA ACLARADO R-704	R/704 RINSE ARM
LAV878	COLUMNA ALIMENTACION	ALIMENTATION COLUMN
LAV879	MANGUITO ALIMENTACION	ALIMENTATION SLEEVE
LAV880	CODO RESPIRADERO	ELBOW
LAV881	BRAZO L.SUP.R-509-511-704	R509-511-704 UPPER WA.ARM
LAV898	DOSIFICADOR ABRILLANTADOR	RINSE AID DOSIMETER
LAV900	DEPURADOR LAVATAZAS	WASHING CUP PURIFIER
LB.184	ESTRANG.LAVADO C.AGUJERO	WITH HOLE WASHING SWIRL
P..130	TORICA EPDM	RING
V...68	ABRAZADERA 32-50	35-50 CLAMP
V..448	TUBO PRESOSTATO-METRO 4X6	4X6 PRE.SWITCH INLET PIPE
V..449	TUBO NYLON 4X6mm (1MT)	(1M) 4X6mm NYLON PIPE



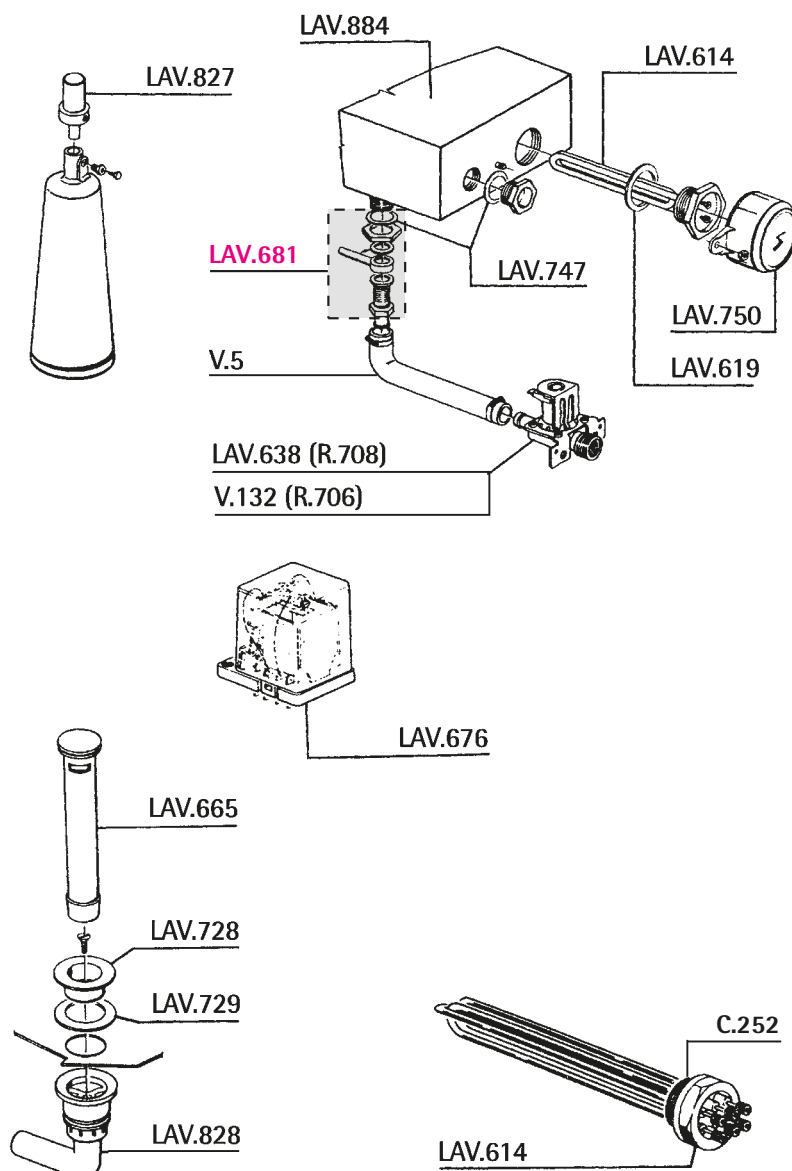


REF.	DESCRIPCIÓN	DESCRIPTION
F.1179	JUNTA ALIMENTARIA	ALIMENTARY GASKET
F.1403	JUNTA RESISTENCIA TEFLON	TEFLON RESISTANCE GASKET
LAV407	TAPON DEPOSITO SAL	SALT TANK CAP
LAV612	RESISTENCIA 3000W 230V	RESISTANCE 3000W 230V
LAV664	GRUPO DESCARGA R-509/511	R-509/511 OUTLET GROUP
LAV681	MEZCLADOR	MEDDLER
LAV724	TUERCA DEPOSITO SAL	SALT CONTAINER NUT
LAV725	TAPON BOTELLA SAL	SALT BOTTLE CAP
LAV726	JUNTA GOMA BOTELLA SAL	BOTTLE SALT RUBBER GASKET
LAV728	SOPORTE TAPON DESAGÜE	INLET CAP SUPPORT
LAV729	JUNTA GOMA TAPON DESAGÜE	DRAIN CAP RUBBER GASKET
LAV731	PIPA DES. R500/501/509/511	R500-501-509-511 DRAIN PI
LAV747	JUNTA VAINA KLINGERIT	KLINGERIT GASKET
LAV750	PROTECTOR RESISTENCIA	RESISTANCE PROTECTOR
LAV803	SOBRENIVEL	OVERFLOW
LAV826	GRUPO DESCARGA R-704	R-704 OUTLET GROUP
LAV827	EJE VOLANTE	ROTATING PLATE ROD
LAV828	PIPA DESAGÜE	DRAIN PIPE
LAV882	CALDERIN R-509	R-509 BOILER
LAV901	DEPOSITO SAL COMPLETO	SALT CONTAINER
P.130	TORICA EPDM	RING
V...5	TUBO GOMA 10X16 20 ATM	20ATM 10X17 RUBBER PIPE
V.132	ELECTROVAL.1 VIA LAV.220V	WASH 1 WAY 220V SOLENOID
V.134	ELECTROVAL.3VIA LAV.220V	WASH 3 WAYS 220V SOLENOID

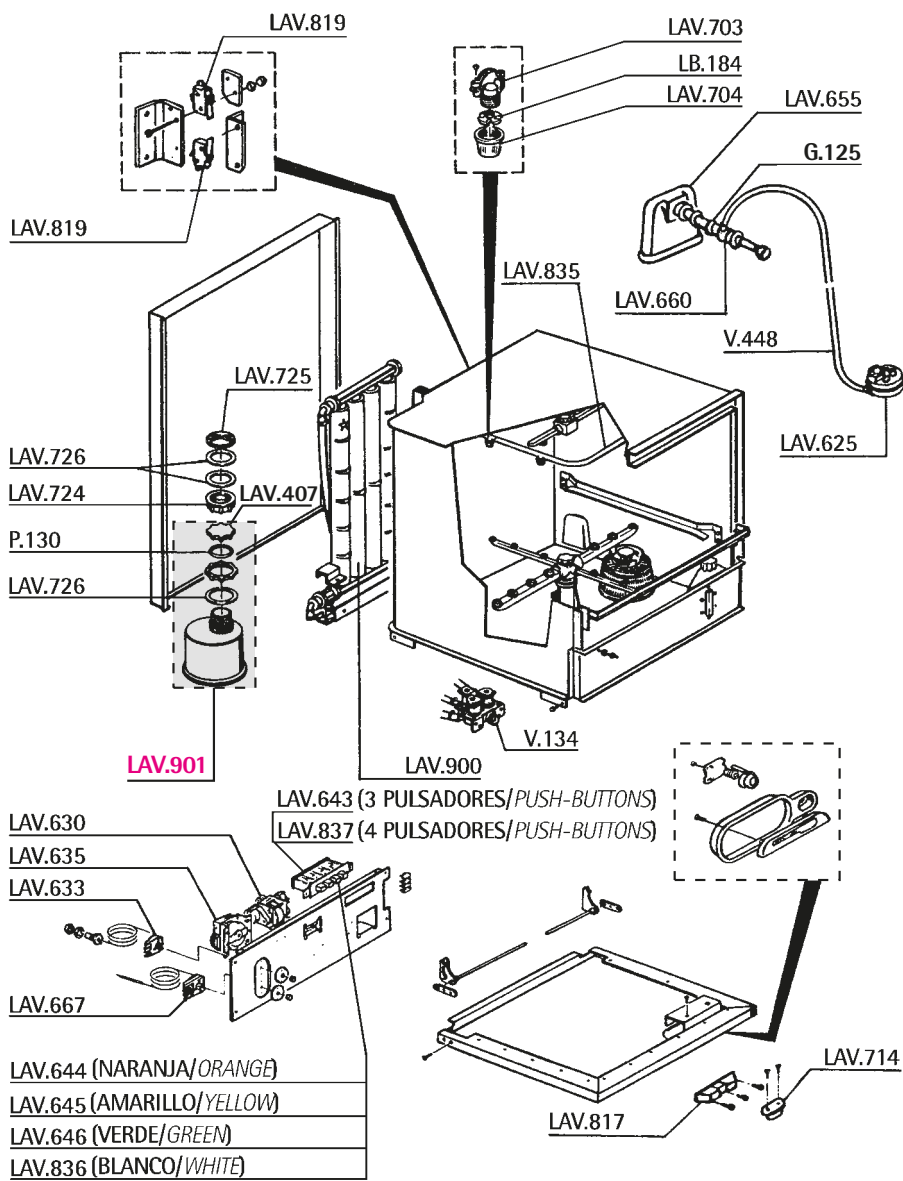


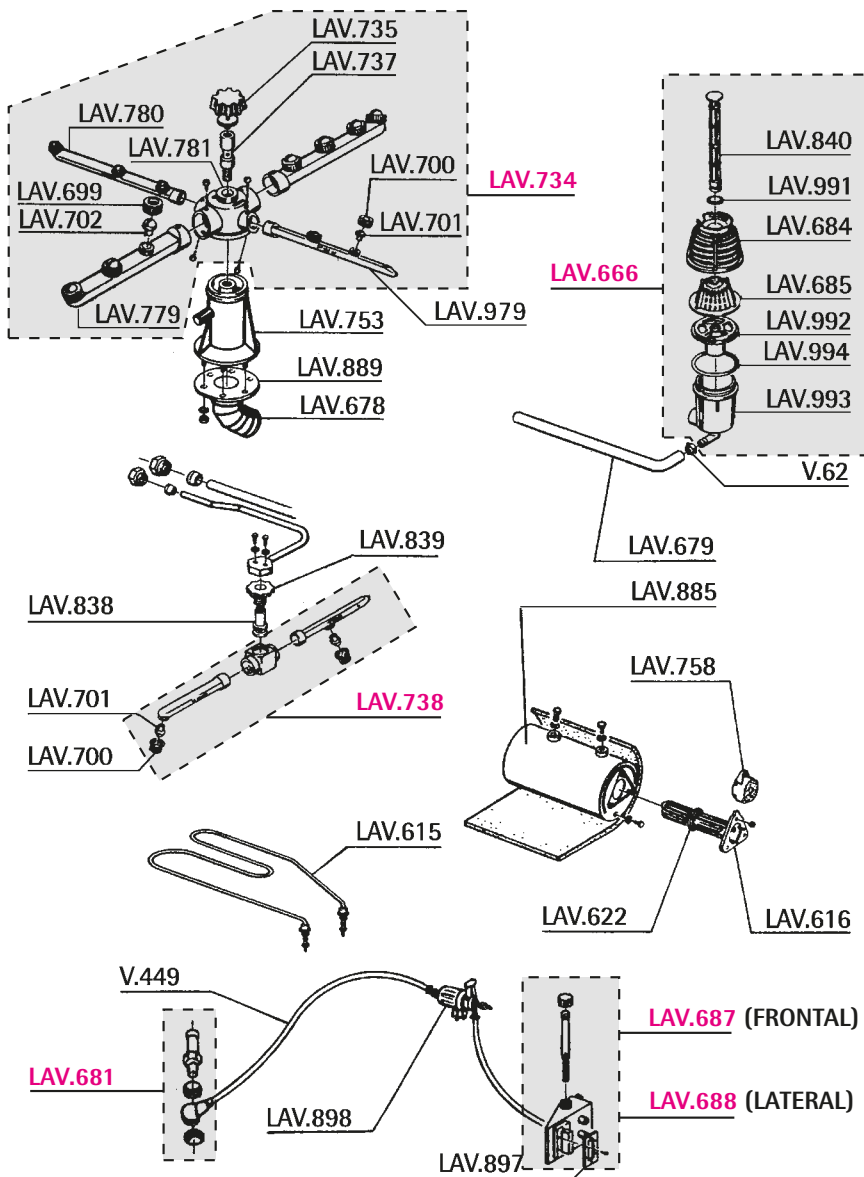
REF.	DESCRIPCIÓN	DESCRIPTION
AZ..36	TORICA GOMA	EPDM RING
F.470	INTERRUP.COMPACT 2POS.12A	2POS.12A COMPACT FAEMA S.
LAV624	PRESOSTATO SAL.HOR.110/60	110/60 HORIZ.PRESS.SWITCH
LAV642	CONMUTADOR GENERAL R-708	R-708 GENERAL SWITCH
LAV650	PILOTO AMARILLO 6mm C/CAB	6mm.YELLOW W/WIRING LAMP
LAV651	PILOTO VERDE 10mm C.CABLE	10mm GREEN W/WIRING LAMP
LAV656	CAMPANA PRESOSTATO	PRESSURE SWITCH BELL
LAV657	RACOR CAMPANA	PRESSURE SWITCH FITTING
LAV665	SOBRENIVEL	OVERFLOW
LAV674	TUBO ASPIRACION	INLET PIPE
LAV675	TUBO ALIMENTACION	PIPE
LAV692	HELICE LAVADO	WASHING PROPELLER
LAV694	BRIDA ACLARADO SERIE «R»	R CLEAR CLASP
LAV695	ESPIRAL ACLARADO SERIE R	CLEAR SPIRAL
LAV696	RACOR ACLAR. SERIE «R»	SERIE R RINSE FITTING
LAV697	BRIDA LAVADO GRANDE	BIG CLEAR CLASP
LAV712	VOLANTE 39.5CM.	39.5CM.ROTATING PLATE
LAV721	TOMA ENTRADA	INLET INTAKE
LAV722	COLUMNA ALIMENTARIA	ALIMENTATION COLUMN
LAV739	TERMINAL BRAZO DE LAVADO	WASHING ARM TERMINAL
LAV819	MICRO PUERTA	DOOR MICROSWITCH
LAV823	FILTRO BOMBA	PUMP FILTER
LAV829	PIE MAQUINA	MACHINE FOOT
LAV831	ASTA LAVADO INF.R-706-708	R-706-708 LOWER WASH ARM
LAV832	ASTA ACLARADO R706-708	R-706/708 RINSE ARM
LAV880	CODO RESPIRADERO	ELBOW
LAV883	MANGUITO ALIMENTACION	ALIMENTATION SLEEVE
LAV898	DOSIFICADOR ABRILLANTADOR	RINSE AID DOSIMETER
LB.170	ABRAZADERA 40-60	40-60 CLAMP
LB.184	ESTRANG.LAVADO C.AGUJERO	WITH HOLE WASHING SWIRL
V.448	TUBO PRESOSTATO-METRO 4X6	4X6 PRE.SWITCH INLET PIPE
V.449	TUBO NYLON 4X6mm (1MT)	(1M) 4X6mm NYLON PIPE

REF.	DESCRIPCIÓN	DESCRIPTION
C..252	JUNTA ALIMENT.M-20/25/30	M-20/25/30 ALIM.GASKET
LAV614	RESIST.CUBA 3000W 220V	TANK RESISTANCE 3000W
LAV619	JUNTA RESISTENCIA KLINGER	RESISTANCE KLINGER GASKET
LAV638	ELECTROVALVULA R-708	R-708 SOLENOID
LAV665	SOBRENIVEL	OVERFLOW
LAV676	RELE 16A 230V	16A 230V RELAY
LAV681	MEZCLADOR	MEDDLER
LAV728	SOPORTE TAPON DESAGÜE	INLET CAP SUPPORT
LAV729	JUNTA GOMA TAPON DESAGÜE	DRAIN CAP RUBBER GASKET
LAV747	JUNTA VAINA KLINGERIT	KLINGERIT GASKET
LAV750	PROTECTOR RESISTENCIA	RESISTANCE PROTECTOR
LAV827	EJE VOLANTE	ROTATING PLATE ROD
LAV828	PIPA DESAGÜE	DRAIN PIPE
LAV884	CALDERIN	BOILER
V...5	TUBO GOMA 10X16 20 ATM	20ATM 10X17 RUBBER PIPE
V..132	ELECTROVAL.1 VIA LAV.220V	WASH 1 WAY 220V SOLENOID

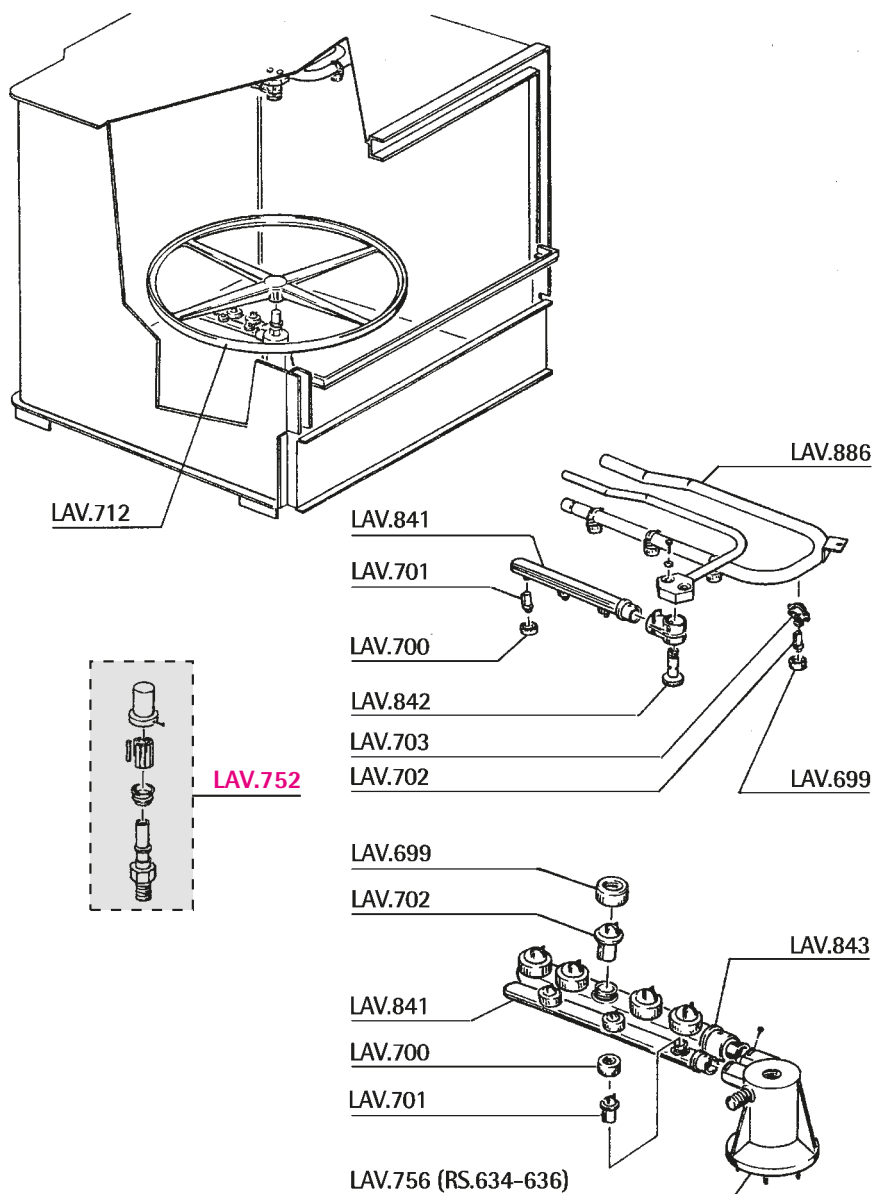


REF.	DESCRIPCIÓN	DESCRIPTION
G..125	TORICA GOMA EPDM	RUBBER RING
LAV407	TAPON DEPOSITO SAL	SALT TANK CAP
LAV625	PRESOSTATO SAL.HOR.55/35	55/35 HOR.PRESSURE SWITCH
LAV630	TEMPORIZADOR DOBLE 4MICRO	4TOOTH DOUBLE TIMER
LAV633	TERMOSTATO CUBA ROSCADO	SCREW TANK THERMOSTAT
LAV635	TEMPORIZADOR.3 LEVAS 150»	3 TOOTH 150» TIMER
LAV643	BOTONERA 3 PULSADORES	3 BOTTONS DOSING DEVICE
LAV644	PULSANTE NARANJA	ORANGE PUSH BUTTON
LAV645	PULSANTE AMARILLO	YELLOW PUSH-BUTTON
LAV646	PULSANTE VERDE	GREEN PUSH-BUTTON
LAV655	CAMPANA PRESOSTATO	PRESSURE SWITCH BELL
LAV660	RACOR CAMPANA	PRESSURE SWITCH FITTING
LAV667	TERMOSTATO CALDERIN	BOILER THERMOSTAT
LAV703	SOPORTE RACORD LAVADO	WASHING FITTING SUPPORT
LAV704	RACOR LAVADO	WASHING FITTING
LAV714	CIERRE PUERTA MOVIL	MOVIBLE CLOSING DOOR
LAV724	TUERCA DEPOSITO SAL	SALT CONTAINER NUT
LAV725	TAPON BOTELLA SAL	SALT BOTTLE CAP
LAV726	JUNTA GOMA BOTELLA SAL	BOTTLE SALT RUBBER GASKET
LAV817	CIERRE PUERTA FIJO	FIXED CLOSING DOOR
LAV819	MICRO PUERTA	DOOR MICROSWITCH
LAV835	ASTA ACLARADO	RINSE ARM
LAV836	PULSADOR BLANCO	WHITE PUSH-BUTTON
LAV837	BOTONERA 4 PULSADORES	4 BOTTONS DOSING DEVICE
LAV900	DEPURADOR LAVATAZAS	WASHING CUP PURIFIER
LAV901	DEPOSITO SAL COMPLETO	SALT CONTAINER WITH HOLE WASHING SWIRL RING
LB.184	ESTRANG.LAVADO C.AGUJERO	4X6 PRE.SWITCH INLET PIPE
P..130	TORICA EPDM	
V..134	ELECTROVAL.3VIA LAV.220V	WASH 3 WAYS 220V SOLENOID
V..448	TUBO PRESOSTATO-METRO 4X6	





REF.	DESCRIPCIÓN	DESCRIPTION
LAV615	RESISTENCIA CUBA 2000W	2000W 230V TANK RESISTANCE
LAV616	RESIST. CALDERIN 2400W 230V	BOILER RESISTANCE 2400W 230V
LAV622	TORICA RESISTENCIA GOMA	RESISTANCE RUBBER RING
LAV666	DESAGÜE COMPLETO	FULL OULET
LAV678	TUBO ENVIO INFERIOR	LOWER OUTLET PIPE
LAV679	TUBO DESAGÜE	OUTLET PIPE
LAV681	MEZCLADOR	MEDDLER
LAV684	FILTRO EXT.CUBA	TANK FILTER
LAV685	FILTRO INT.CUBA	TANK FILTER
LAV687	DEPOSITO ABRILL.FRONTAL	FRONTAL RINSE AID CONTAIN
LAV688	DEPOSITO ABRILL.LATERAL	LATERAL RINSE AID CONTAIN
LAV699	TUERCA PLASTICO DE LAVADO	WASHING NUT
LAV700	TUERCA ACLARADO	RINSE NUT
LAV701	TAPON ACLARADO	RINSING CAP
LAV702	TAPON LAVADO GRANDE	GREAT WASHING CAP
LAV734	CRUZ LAVADO	WASHING CROSSHEAD
LAV735	MANDO FIJACION 40-400F	40-400F FIXATION HANDLE
LAV737	EJE COLECTOR CENTRO	COLLECTOR ROD
LAV738	ASTA ACLARADO SUPERIOR	UPPER RINSE ARM
LAV753	RACOR CENTRAL	CENTRAL FITTING
LAV758	PROTECTOR RESISTENCIA	RESISTANCE PROTECTOR
LAV779	BRAZO LAVADO	WASHING ARM
LAV780	BRAZO ACLARADO	RINSE ARM
LAV781	RACOR CRUZ	FITTING
LAV838	EJE COLECTOR ACLARADO	COLLECTOR ROD
LAV839	TUERCA FIJACION PLASTICO	PLASTIC FIXING NUT
LAV840	SOBRENIVEL	OVERFLOW
LAV885	CALDERIN	BOILER
LAV889	JUNTA COLECTOR GOMA	COLLECTOR RUBBER GASKET
LAV897	JUNTA DEPOSITO ABR.GOMA	RINSE AID CONT.RUB.GASKET
LAV898	DOSIFICADOR ABRILLANTADOR	RINSE AID DOSIMETER
LAV979	GIRATORIO ACLARADO 35F	35F/40F RINSE GYRATORY
LAV991	TORICA TAPON DESAGÜE	DRAIN CAP RING
LAV992	ARANDELA BASE DESAGÜE	DRAIN BASE WASHER
LAV993	BASE DESAGUE	DRAIN BASE
LAV994	TORICA GOMA BASE DESAGÜE	BASE EVACUAT. RUBBER RING
V..62	ABRAZADERA 12-20	12-20 CLAMP
V..449	TUBO NYLON 4X6mm (1MT)	(1M) 4X6mm NYLON PIPE



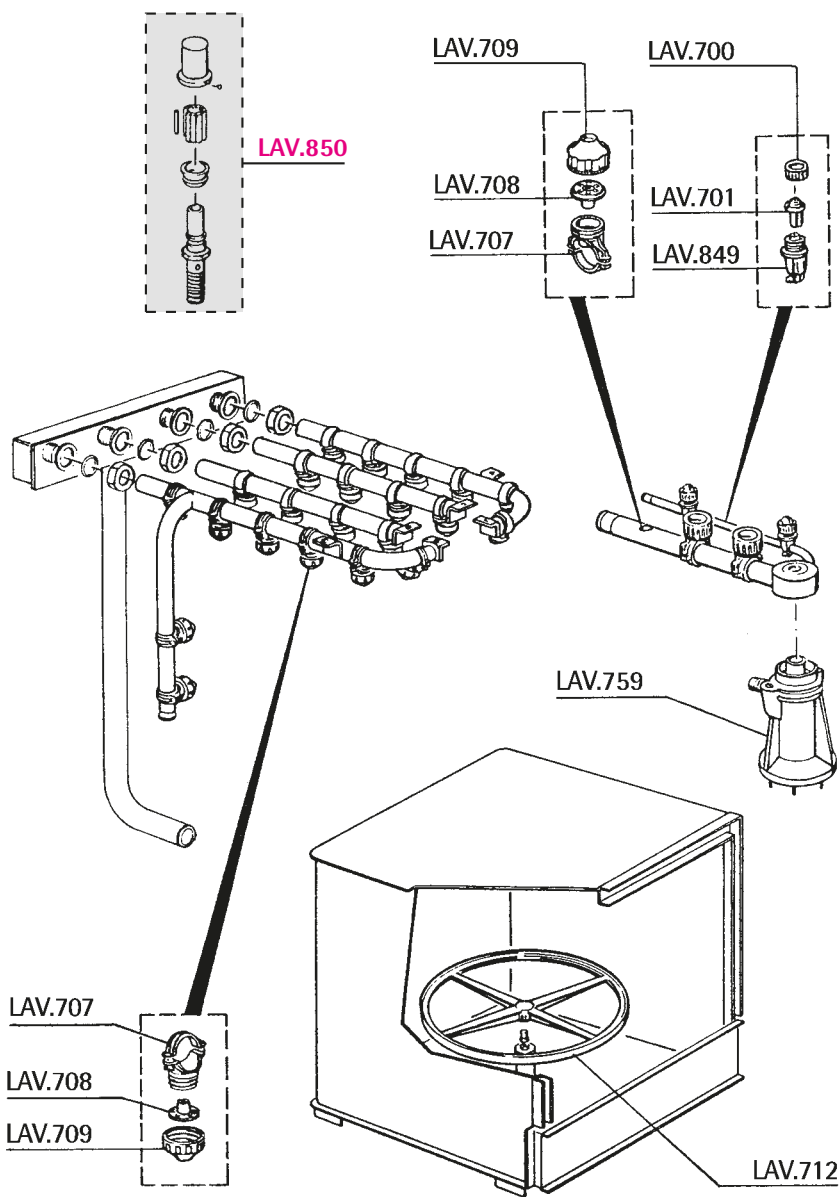
REF.	DESCRIPCIÓN	DESCRIPTION
LAV699	TUERCA PLASTICO DE LAVADO	WASHING NUT
LAV700	TUERCA ACLARADO	RINSE NUT
LAV701	TAPON ACLARADO	RINSING CAP
LAV702	TAPON LAVADO GRANDE	GREAT WASHING CAP
LAV703	SOPORTE RACORD LAVADO	WASHING FITTING SUPPORT
LAV712	VOLANTE 39.5CM.	39.5CM.ROTATING PLATE
LAV752	EJE VOLANTE	ROTATING PLATE ROD
LAV756	RACOR CENTRAL	CENTRAL FITTING
LAV841	ASTA ACLARADO	RINSE ARM
LAV842	TUERCA FIJACION	FIXING NUT
LAV843	BRAZO LAVADO	WASHING ARM
LAV886	BRAZO LAVADO SUPERIOR	UPPER WASHING ARM

¿Tiene alguna duda?
LLÁMENOS

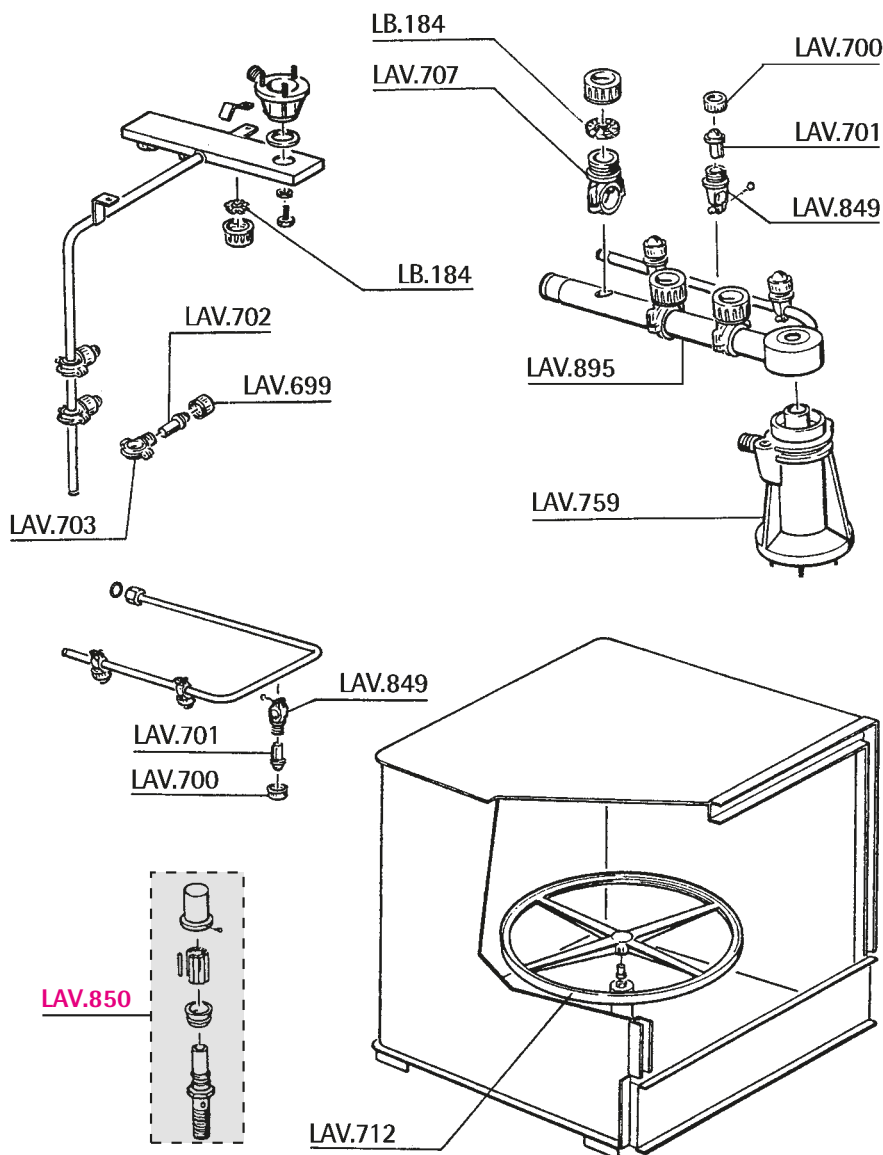


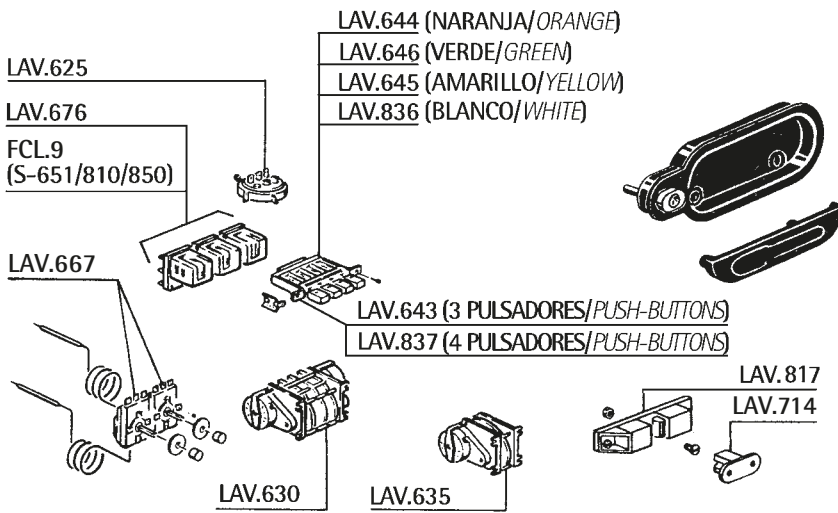
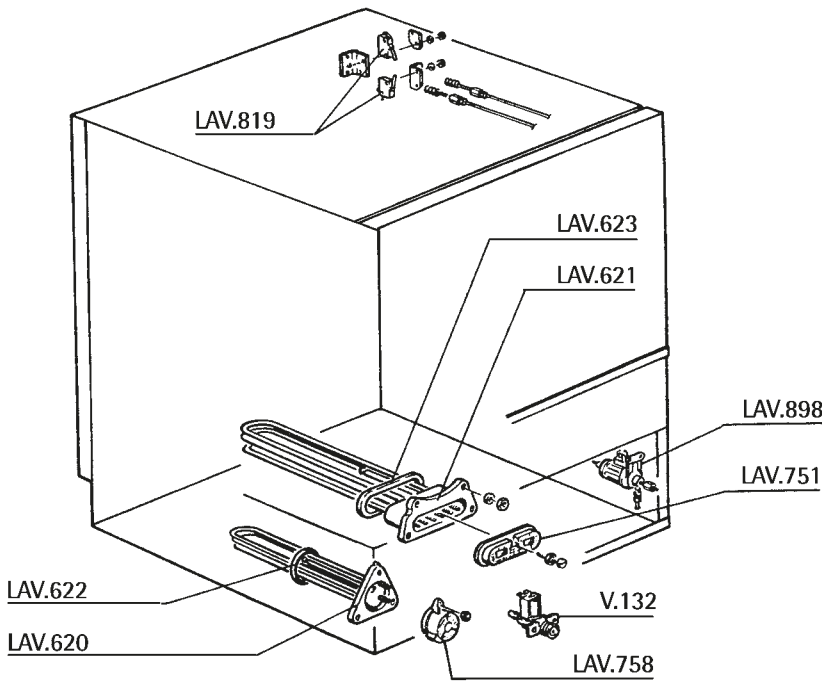
Tel: 93 377 64 11
Fax: 93 377 98 03
ascaso@ascaso.com

REF.	DESCRIPCIÓN	DESCRIPTION
LAV700	TUERCA ACLARADO	RINSE NUT
LAV701	TAPON ACLARADO	RINSING CAP
LAV707	ABRAZADERA LAVADO SERIE R	SERIE R WASHER CLAMP
LAV708	HELICE LAVADO	WASHING PROPELLER
LAV709	RACOR LAVADO SUPERIOR	UPPER WASHING FITTING
LAV712	VOLANTE 39.5CM.	39.5CM.ROTATING PLATE
LAV759	RACOR CENTRAL	CENTRAL FITTING
LAV849	ABRAZADERA ACLARADO	RINSE CLAMP
LAV850	EJE VOLANTE	ROTATING PLATE ROD

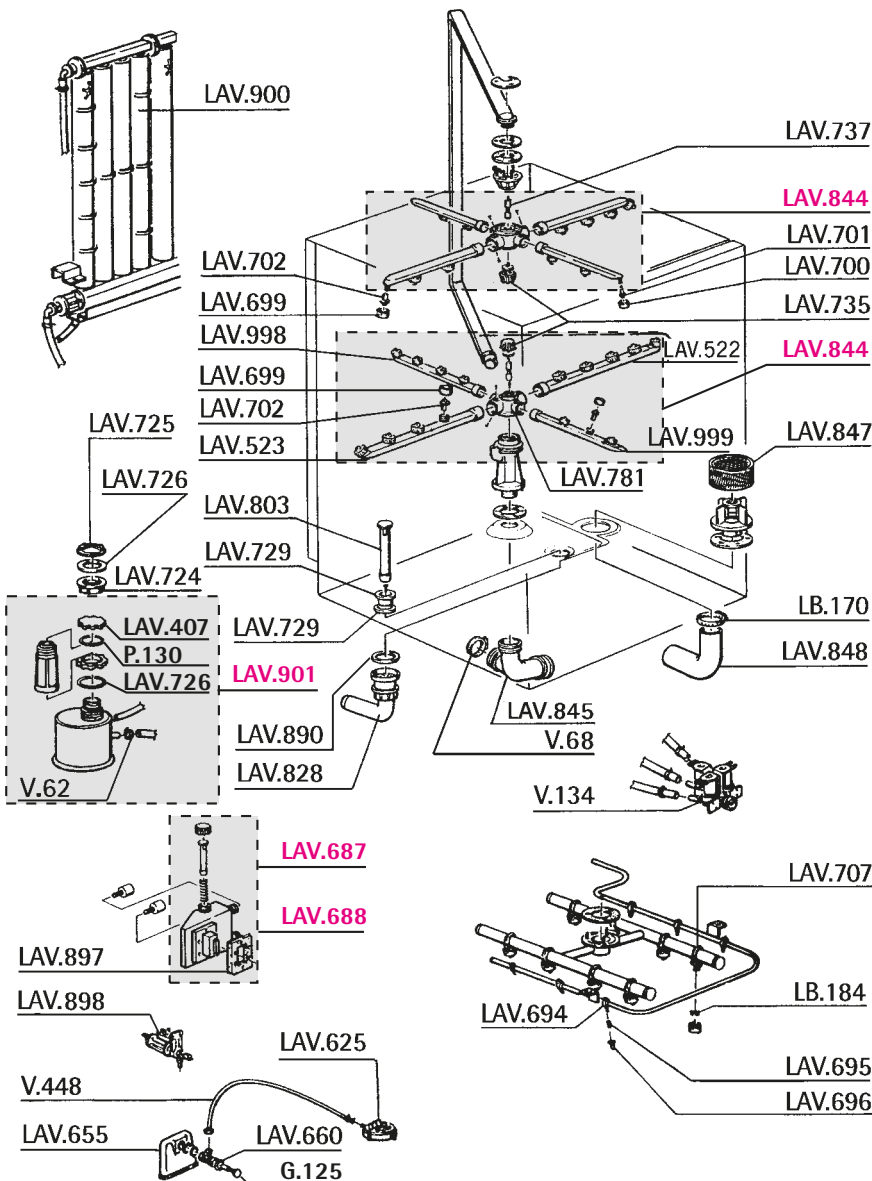


REF.	DESCRIPCIÓN	DESCRIPTION
LAV699	TUERCA PLASTICO DE LAVADO	WASHING NUT
LAV700	TUERCA ACLARADO	RINSE NUT
LAV701	TAPON ACLARADO	RINSING CAP
LAV702	TAPON LAVADO GRANDE	GREAT WASHING CAP
LAV703	SOPORTE RACORD LAVADO	WASHING FITTING SUPPORT
LAV707	ABRAZADERA LAVADO SERIE R	SERIE R WASHER CLAMP
LAV712	VOLANTE 39.5CM.	39.5CM.ROTATING PLATE
LAV759	RACOR CENTRAL	CENTRAL FITTING
LAV849	ABRAZADERA ACLARADO	RINSE CLAMP
LAV850	EJE VOLANTE	ROTATING PLATE ROD
LAV895	BRAZO LAVADO-ACLARADO	WASHER/CLEAR ARM
LB.184	ESTRANG.LAVADO C.AGUJERO	WITH HOLE WASHING SWIRL



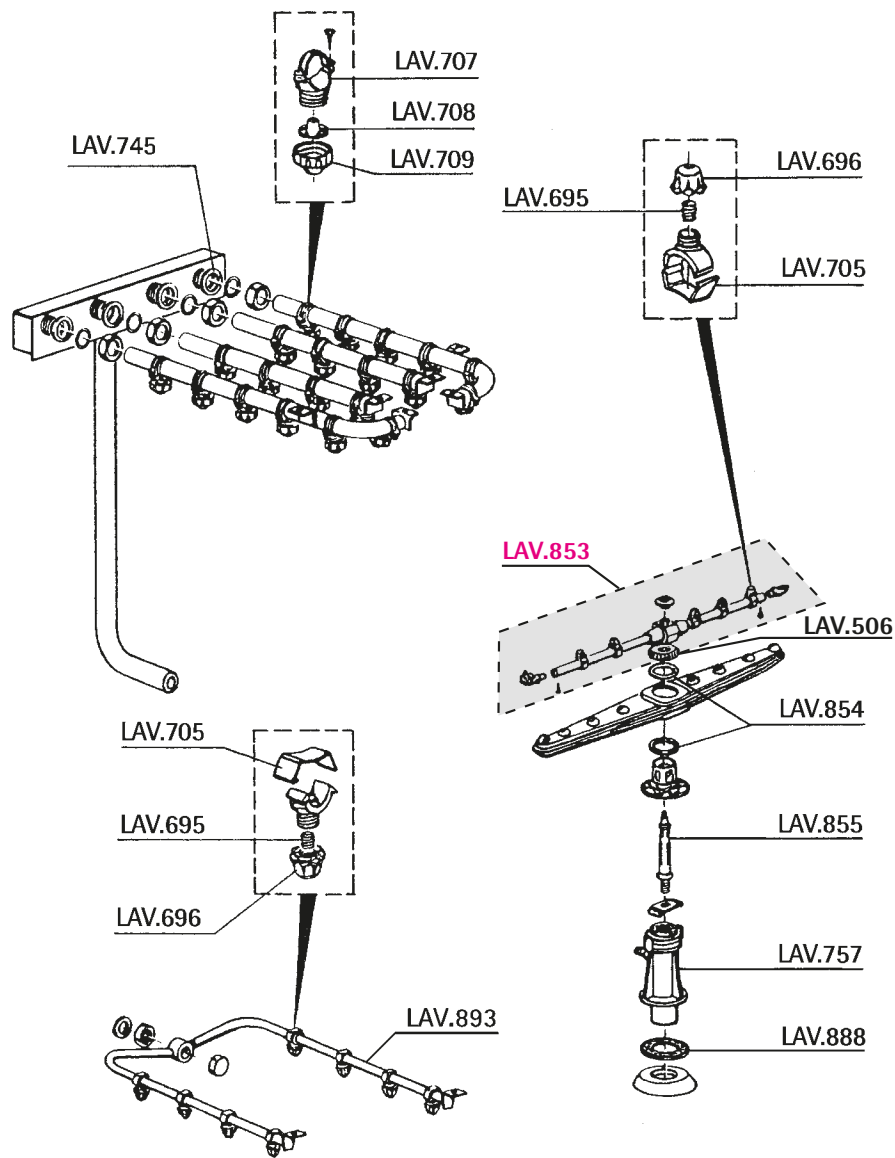


REF.	DESCRIPCIÓN	DESCRIPTION
FCL..9	CONTACTOR	CONTACTOR
LAV620	RESISTENCIA CALDER. 4500W 230V	BOILER RESISTANCE 4500W 230V
LAV621	RESISTENCIA 4500W 230V	RESISTANCE 4500W
LAV622	TORICA RESISTENCIA GOMA	RESISTANCE RUBBER RING
LAV623	JUNTA RESISTENCIA GOMA	RESISTANCE RUBBER GASKET
LAV625	PRESOSTATO SAL.HOR.55/35	55/35 HOR.PRESSURE SWITCH
LAV630	TEMPORIZADOR DOBLE 4MICRO	4TOOTH DOUBLE TIMER
LAV635	TEMPORIZADOR.3 LEVAS 150»	3 TOOTH 150» TIMER
LAV643	BOTONERA 3 PULSADORES	3 BOTTONS DOSING DEVICE
LAV644	PULSANTE NARANJA	ORANGE PUSH BUTTON
LAV645	PULSANTE AMARILLO	YELLOW PUSH-BUTTON
LAV646	PULSANTE VERDE	GREEN PUSH-BUTTON
LAV667	TERMOSTATO CALDERIN	BOILER THERMOSTAT
LAV676	RELE 16A 230V	16A 230V RELAY
LAV714	CIERRE PUERTA MOVIL	MOVIBLE CLOSING DOOR
LAV751	PROTECTOR RESISTENCIA	RESISTANCE PROTECTOR
LAV758	PROTECTOR RESISTENCIA	RESISTANCE PROTECTOR
LAV817	CIERRE PUERTA FIJO	FIXED CLOSING DOOR
LAV819	MICRO PUERTA	DOOR MICROSWITCH
LAV836	PULSADOR BLANCO	WHITE PUSH-BUTTON
LAV837	BOTONERA 4 PULSADORES	4 BOTTONS DOSING DEVICE
LAV898	DOSIFICADOR ABRILLANTADOR	RINSE AID DOSIMETER
V..132	ELECTROVAL.1 VIA LAV.220V	WASH 1 WAY 220V SOLENOID

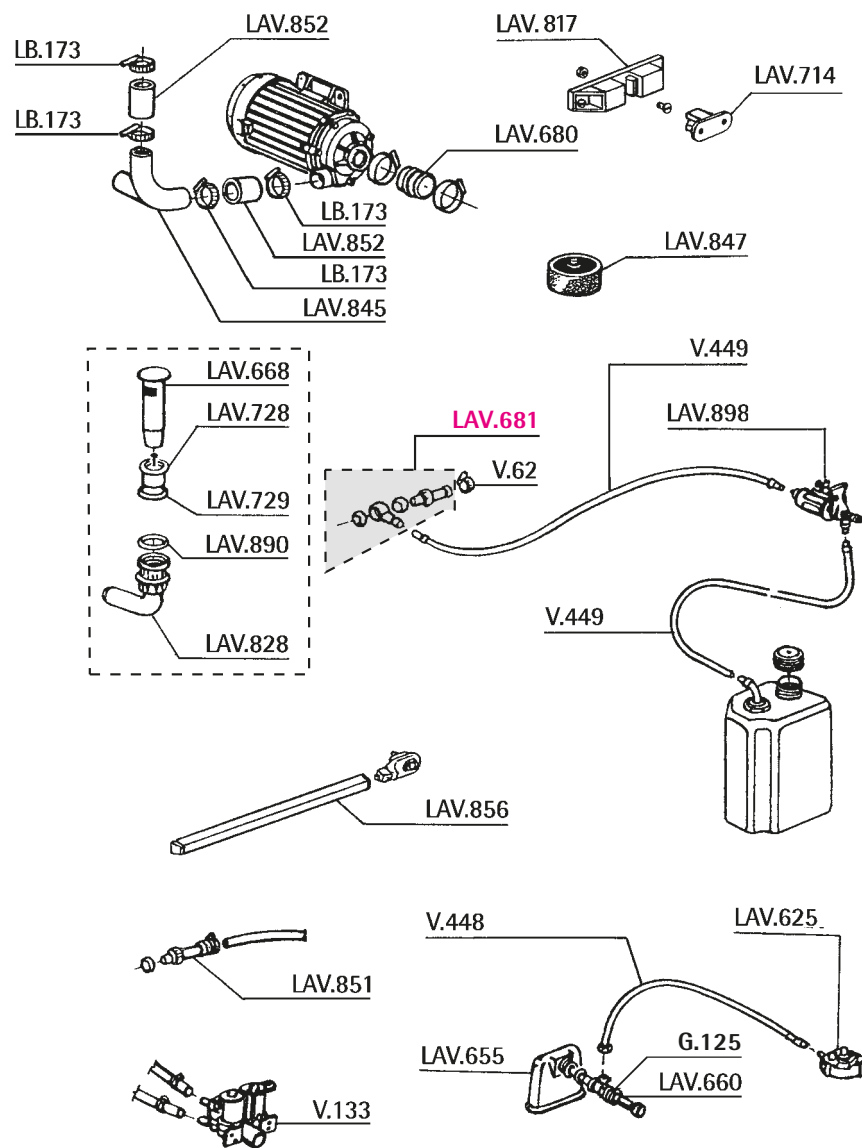


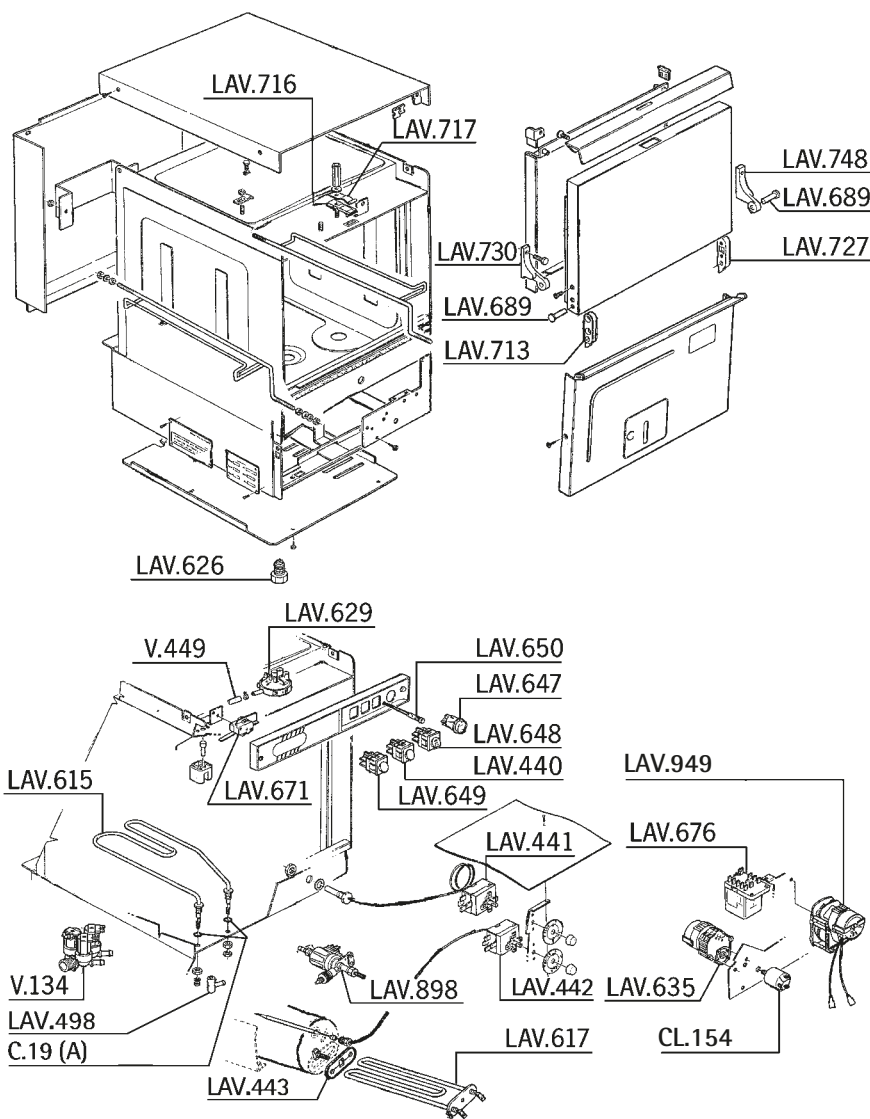
REF.	DESCRIPCIÓN	DESCRIPTION
G..125	TORICA GOMA	RUBBER GASKET
LAV407	TAPON DEPOSITO SAL	SALT TANK CAP
LAV522	BRAZO ACLARADO DCHA.	RIGHT RINSE ARM
LAV523	BRAZO ACLARADO IZDA.	LEFT RINSE ARM
LAV625	PRESOSTATO SAL.HOR.55/35	55/35 HOR.PRESSURE SWITCH
LAV655	CAMPANA PRESOSTATO	PRESSURE SWITCH BELL
LAV660	RACOR CAMPANA	PRESSURE SWITCH FITTING
LAV687	DEPOSITO ABRILL.FRONTAL	FRONTAL RINSE AID CONTAIN
LAV688	DEPOSITO ABRILL.LATERAL	LATERAL RINSE AID CONTAIN
LAV694	BRIDA ACLARADO SERIE «R»	R CLEAR CLASP
LAV695	ESPIRAL ACLARADO SERIE R	CLEAR SPIRAL
LAV696	RACOR ACLAR. SERIE «R»	SERIE R RINSE FITTING
LAV699	TUERCA PLASTICO DE LAVADO	WASHING NUT
LAV700	TUERCA ACLARADO	RINSE NUT
LAV701	TAPON ACLARADO	RINSING CAP
LAV702	TAPON LAVADO GRANDE	GREAT WASHING CAP
LAV707	ABRAZADERA LAVADO SERIE R	SERIE R WASHER CLAMP
LAV724	TUERCA DEPOSITO SAL	SALT CONTAINER NUT
LAV725	TAPON BOTELLA SAL	SALT BOTTLE CAP
LAV726	JUNTA GOMA BOTELLA SAL	BOTTLE SALT RUBBER GASKET
LAV729	JUNTA GOMA TAPON DESAGÜE	DRAIN CAP RUBBER GASKET
LAV735	MANDO FIJACION 40-400F	40-400F FIXATION HANDLE
LAV737	EJE COLECTOR CENTRO	COLLECTOR ROD
LAV781	RACOR CRUZ	FITTING
LAV803	SOBRENIVEL	OVERFLOW
LAV828	PIPA DESAGÜE	DRAIN PIPE
LAV844	GIRATORIO	GYRATORY
LAV845	MANGUITO SALIDA	OUTLET SLEEVE
LAV847	FILTRO BOMBA	PUMP FILTER
LAV848	MANGUITO ASPIRACION	SUCTION SLEEVE
LAV890	JUNTA PIPA DESAGÜE GOMA	DRAIN TUB RUBBER GASKET
LAV897	JUNTA DEPOSITO ABR.GOMA	RINSE AID CONT.RUB.GASKET
LAV898	DOSIFICADOR ABRILLANTADOR	RINSE AID DOSIMETER
LAV900	DEPURADOR LAVATAZAS	WASHING CUP PURIFIER
LAV901	DEPOSITO SAL COMPLETO	SALT CONTAINER
LAV998	BRAZO LAVADO IZQUIERDA	LEFT WASHING ARM
LAV999	BRAZO LAVADO DERECHA	RIGHT WASHING ARM
LB.170	ABRAZADERA 40-60	40-60 CLAMP
LB.184	ESTRANG.LAVADO C.AGUJERO	WITH HOLE WASHING SWIRL
P..130	TORICA EPDM	RING
V..62	ABRAZADERA 12-20	12-20 CLAMP
V..68	ABRAZADERA 32-50	35-50 CLAMP
V..134	ELECTROVAL.3VIA LAV.220V	WASH 3 WAYS 220V SOLENOID
V..448	TUBO PRESOSTATO-METRO 4X6	4X6 PRE.SWITCH INLET PIPE

REF.	DESCRIPCIÓN	DESCRIPTION
LAV506	GUIA TUERCA LAVADO	WASHING NUT GUIDE
LAV695	ESPIRAL ACLARADO SERIE R	CLEAR SPIRAL
LAV696	RACOR ACLAR. SERIE «R»	SERIE R RINSE FITTING
LAV705	MUELLE FIJA SURTIDOR	SPRING
LAV707	ABRAZADERA LAVADO SERIE R	SERIE R WASHER CLAMP
LAV708	HELICE LAVADO	WASHING PROPELLER
LAV709	RACOR LAVADO SUPERIOR	UPPER WASHING FITTING
LAV745	JUNTA RACOR ALIMENTARIA	FITTING ALIMENTARY GASKET
LAV757	RACOR CENTRAL	CENTRAL FITTING
LAV853	GIRATORIO ACLARADO	RINSE GYRATORY
LAV854	ARANDELA TEFLON	TEFLON WASHER
LAV855	PERNO COLECTOR	COLECTOR BOLT
LAV888	JUNTA COLUMNA LAVADO GOMA	RUBBER GASKET
LAV893	BRAZO ACLARADO SUPERIOR	UPPER RINSE ARM



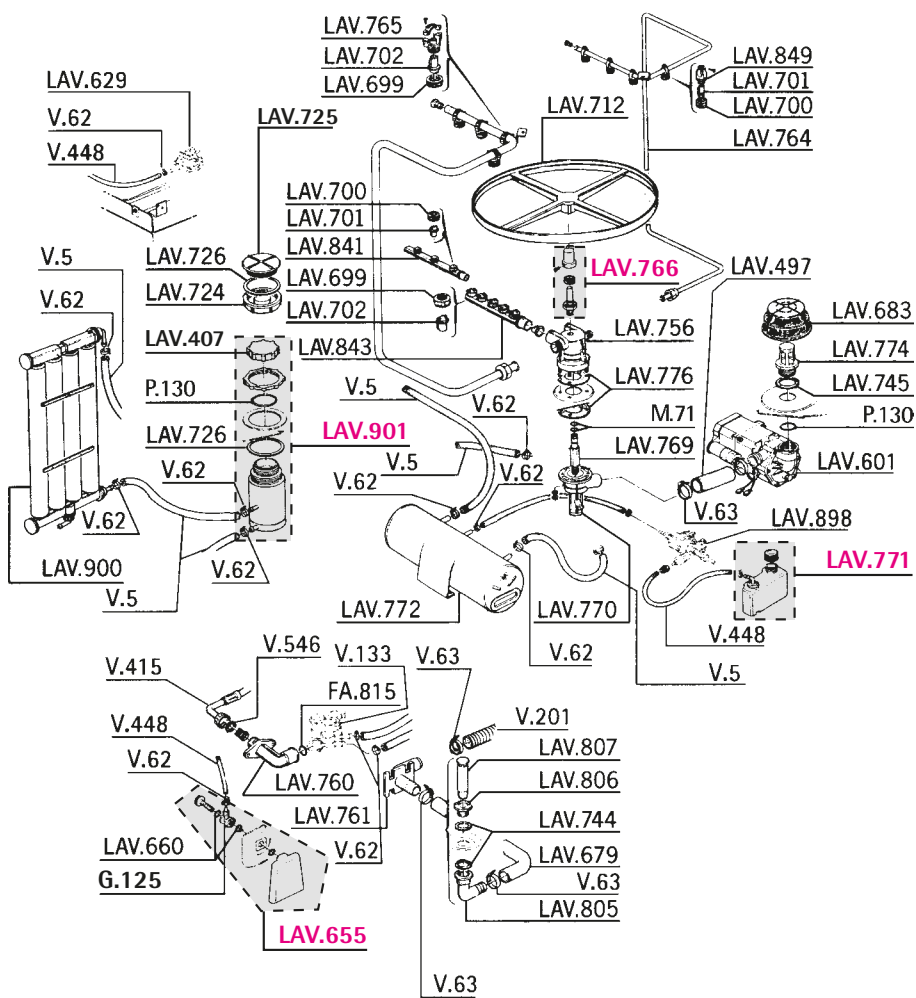
REF.	DESCRIPCIÓN	DESCRIPTION
G..125	TORICA GOMA EPDM	RUBBER RING
LAV625	PRESOSTATO SAL.HOR.55/35	55/35 HOR.PRESSURE SWITCH
LAV655	CAMPANA PRESOSTATO	PRESSURE SWITCH BELL
LAV660	RACOR CAMPANA	PRESSURE SWITCH FITTING
LAV668	SOBRENIVEL	OVERFLOW
LAV680	TUBO IMPULSION	IMPULSION PIPE
LAV681	MEZCLADOR	MEDDLER
LAV714	CIERRE PUERTA MOVIL	MOVIBLE CLOSING DOOR
LAV728	SOPORTE TAPON DESAGÜE	INLET CAP SUPPORT
LAV729	JUNTA GOMA TAPON DESAGÜE	DRAIN CAP RUBBER GASKET
LAV817	CIERRE PUERTA FIJO	FIXED CLOSING DOOR
LAV828	PIPA DESAGÜE	DRAIN PIPE
LAV845	MANGUITO SALIDA	OUTLET SLEEVE
LAV847	FILTRO BOMBA	PUMP FILTER
LAV851	RACOR CALDERIN	BOILER FITTING
LAV852	MANGUITO	SLEEVE
LAV856	MANETA PUERTA	DOOR HANDLE
LAV890	JUNTA PIPA DESAGÜE GOMA	DRAIN TUB RUBBER GASKET
LAV898	DOSIFICADOR ABRILLANTADOR	RINSE AID DOSIMETER
LB.173	ABRAZADERA 60-80	60-80 CLAMP
V..62	ABRAZADERA 12-20	12-20 CLAMP
V..133	ELECTROVAL.2 VIA LAV.220V	WASH 2 WAYS 220V SOLENOID
V..448	TUBO PRESOSTATO-METRO 4X6	4X6 PRE.SWITCH INLET PIPE
V..449	TUBO NYLON 4X6mm (1MT)	(1M) 4X6mm NYLON PIPE





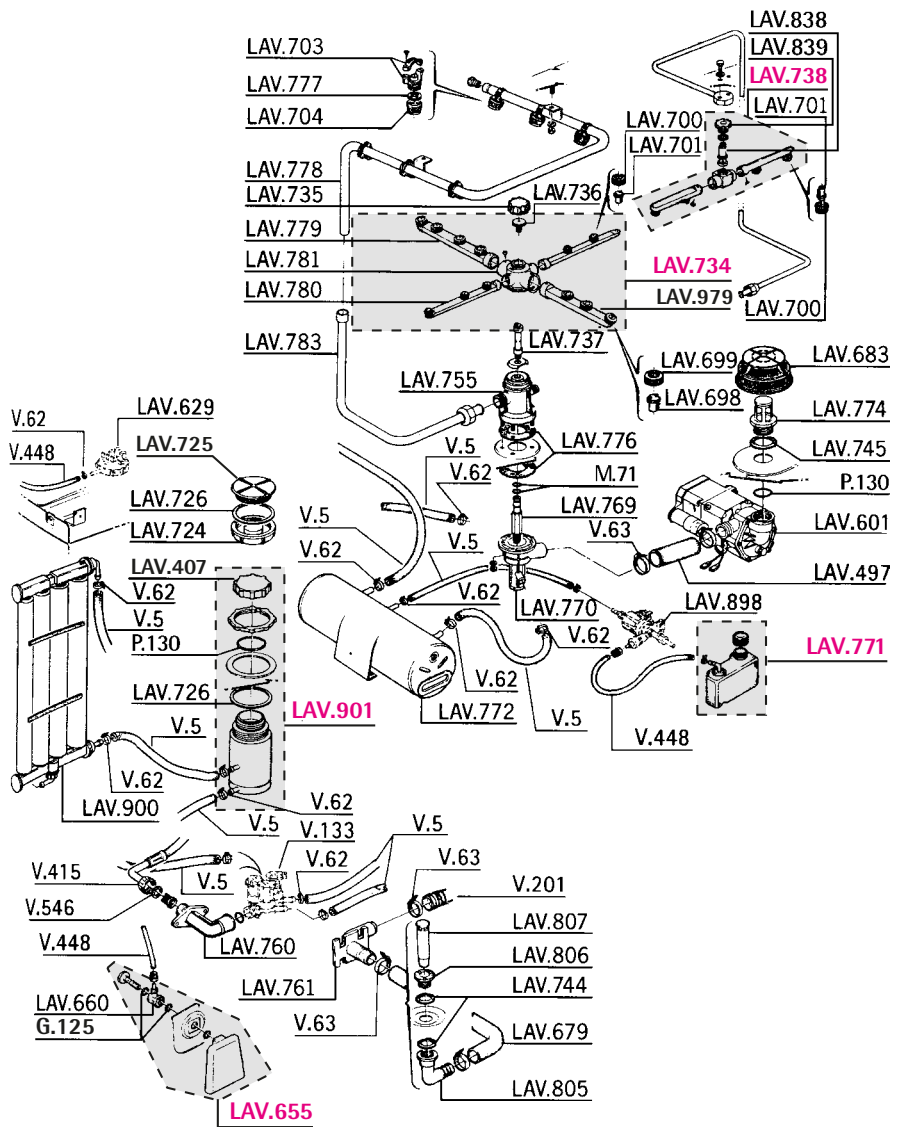
REF.	DESCRIPCIÓN	DESCRIPTION
C...19	JUNTA ALIMENTARIA	ALIMENTARY GASKET
CL.154	FILTRO ANTIPARASITARIO	ANTIPARASITIC FILTER
LAV440	PULSADOR BLANCO	WHITE PUSH-BUTTON
LAV441	TERMOSTATO CUBA REGULABLE	ADJUSTABLE TANK THERMOST.
LAV442	TERMOSTATO CALD.REGULABLE	ADJUSTABLE BOILER THERMOS.
LAV443	JUNTA RESISTENCIA	RESISTANCE GASKET
LAV498	RACOR T	T FITTING
LAV615	RESISTENCIA CUBA 2000W	2000W 230V TANK RESISTANCE
LAV617	RESISTENCIA 2500W 230V	RESISTANCE 2500W 230V
LAV626	PIE MAQUINA	MACHINE FOOT
LAV629	PRESOSTATO SAL.HOR.35/17	35/17 HORIZ.PRESS.SWITCH
LAV635	TEMPORIZADOR.3 LEVAS 150»	3 TOOTH 150» TIMER
LAV647	PULSANTE AMBAR 250V	YELLOW PUSH-BUTTON
LAV648	CONMUTADOR NEGRO 6 FAXTON	6 FAXTON BLACK SWITCH
LAV649	INTERRUPTOR VERDE 250V	GREEN SWITCH
LAV650	PILOTO AMARILLO 6mm C/CAB	6mm.YELLOW W/WIRING LAMP
LAV671	MICRO 250V 8A	250V 8A MICROSWITCH
LAV676	RELE 16A 230V	16A 230V RELAY
LAV689	PASADOR PUERTA	DOOR PIN
LAV713	BISAGRA IZDA.MOD.11/22R-F	11/22R-F LEFT MOD.HINGE
LAV716	LENGUETA CIERRE	CLOSING LANGE
LAV717	MUELLE CIERRE	CLOSING SPRING
LAV727	BISAGRA DCHA.MOD.11/22R-F	11/22R-F RIGHT MOD HINGE
LAV730	BISAGR.IZDA.PUER 11/22F-R	11/22F-R LEFT HINGE
LAV748	BISAG.DCHA.PUERT 11/22F-R	11/22F-R RIGHT HINGE
LAV898	DOSIFICADOR ABRILLANTADOR	RINSE AID DOSIMETER
LAV949	PROGRAMADOR REGEN.1MICRO	1TOOTH REGENERACT. TIMER
V.134	ELECTROVAL.3VIA LAV.220V	WASH 3 WAYS 220V SOLENOID
V.449	TUBO NYLON 4X6mm (1MT)	(1M) 4X6mm NYLON PIPE

Lavado / Aclarado 11R ■ 11R Rinse / Wash

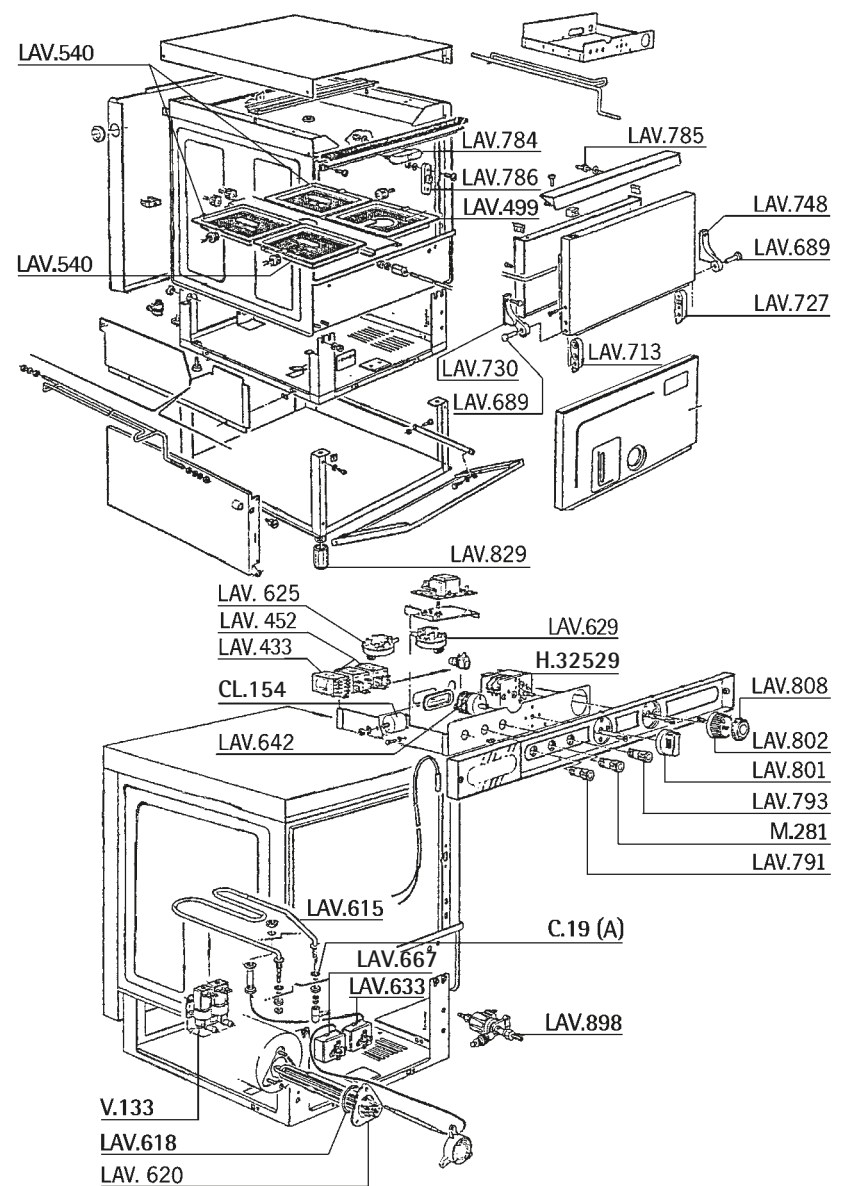


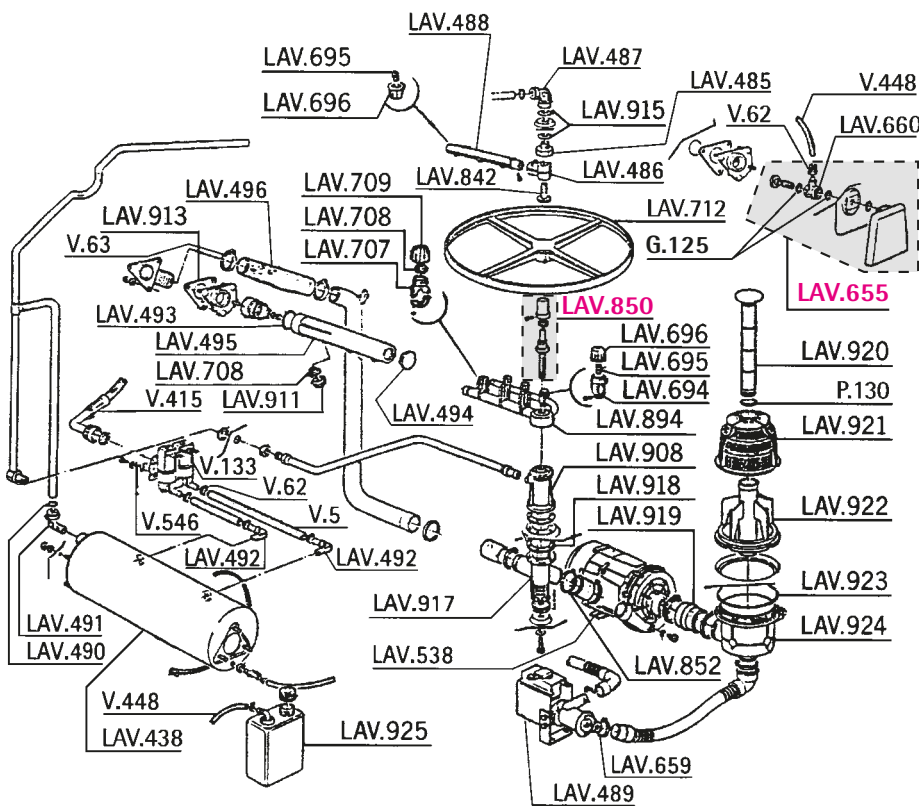
REF.	DESCRIPCIÓN	DESCRIPTION
FA.815	TORICA GOMA EPDM	RUBBER RING
G..125	TORICA GOMA EPDM	RUBBER RING
LAV407	TAPON DEPOSITO SAL	SALT TANK CAP
LAV497	MANGUITO	SLEEVE
LAV601	MOTOBOMBA 0.25HP	0.25 HP WASHING PUMP
LAV629	PRESOSTATO SAL.HOR.35/17	35/17 HORIZ.PRESS.SWITCH
LAV655	CAMPANA PRESOSTATO	PRESSURE SWITCH BELL
LAV660	RACOR CAMPANA	PRESSURE SWITCH FITTING
LAV679	TUBO DESAGÜE	OUTLET PIPE
LAV683	FILTRO BOMBA	PUMP FILTER
LAV699	TUERCA PLASTICO DE LAVADO	WASHING NUT
LAV700	TUERCA ACLARADO	RINSE NUT
LAV701	TAPON ACLARADO	RINSING CAP
LAV702	TAPON LAVADO GRANDE	GREAT WASHING CAP
LAV712	VOLANTE 39.5CM.	39.5CM.ROTATING PLATE
LAV724	TUERCA DEPOSITO SAL	SALT CONTAINER NUT
LAV725	TAPON BOTELLA SAL	SALT BOTTLE CAP
LAV726	JUNTA GOMA BOTELLA SAL	BOTTLE SALT RUBBER GASKET
LAV744	JUNTA SOPORTE ALIMENTARIA	SUPPORT KLINGERIT GASKET
LAV745	JUNTA RACOR ALIMENTARIA	FITTING ALIMENTARY GASKET
LAV756	RACOR CENTRAL	CENTRAL FITTING
LAV760	CODO RS614/S611/11R-F	RS-614/ S611/11R-F ELBOW
LAV761	CODO DESAGÜE RS614/11R-F	RS614/11R-F DRAIN ELBOW
LAV764	ARBOL ACLARADO SUPERIOR	UPPER RINSE TREE
LAV765	SOPORTE RACORD LAVADO	WASHING FITTING SUPPORT
LAV766	EJE VOLANTE RS614/11R	RS-614/11R ROT.PLATE ROD
LAV769	EJE COLECTOR S611/614/11R	S611/614/11R ROD
LAV770	COLECTOR INFERIOR	LOWER COLLECTOR
LAV771	DEPOSITO ABRILLANTADOR	RINSE AID CONTAINER
LAV772	CALDERIN RS614/S611/11R-F	RS 614/S611/11R-F BOILER
LAV774	RACOR FILTRO	FILTER FITTING
LAV776	JUNTA COLECTOR GOMA	COLLECTOR RUBBER GASKET
LAV805	PIPA DESAGÜE	DRAIN PIPE
LAV806	SOPORTE DESAGÜE	INLET SUPPORT
LAV807	SOBRENIVEL	OVERFLOW
LAV841	ASTA ACLARADO	RINSE ARM
LAV843	BRAZO LAVADO	WASHING ARM
LAV849	ABRAZADERA ACLARADO	RINSE CLAMP
LAV898	DOSIFICADOR ABRILLANTADOR	RINSE AID DOSIMETER
LAV900	DEPURADOR LAVATAZAS	WASHING CUP PURIFIER
LAV901	DEPOSITO SAL COMPLETO	SALT CONTAINER
M...71	TORICA GOMA	EPDM RUBBER RING
P.130	TORICA EPDM	RING
V...5	TUBO GOMA 10X16 20 ATM	20ATM 10X17 RUBBER PIPE
V...62	ABRAZADERA 12-20	12-20 CLAMP
V...63	ABRAZADERA 20-32	20-35 CLAMP
V.133	ELECTROVAL.2 VIA LAV.220V	WASH 2 WAYS 220V SOLENOID
V.201	TUBO DESAGÜE 28mm. 1,5mt.	28mm. 1.5M OUTLET PIPE
V.415	TOMA LAVADORA 1.5M	QUALITY 1.5M.INLET W.FLEX
V.448	TUBO PRESOSTATO-METRO 4X6	4X6 PRE.SWITCH INLET PIPE
V.546	JUNTA GOMA 3/4	WATER INLET RUBBER GASKET

REF.	DESCRIPCIÓN	DESCRIPTION
G..125	TORICA GOMA EPDM	RUBBER RING
LAV407	TAPON DEPOSITO SAL	SALT TANK CAP
LAV497	MANGUITO	SLEEVE
LAV601	MOTOBOMBA 0.25HP	0.25 HP WASHING PUMP
LAV629	PRESOSTATO SAL.HOR.35/17	35/17 HORIZ.PRESS.SWITCH
LAV655	CAMPANA PRESOSTATO	PRESSURE SWITCH BELL
LAV660	RACOR CAMPANA	PRESSURE SWITCH FITTING
LAV679	TUBO DESAGÜE	OUTLET PIPE
LAV683	FILTRO BOMBA	PUMP FILTER
LAV698	RACOR LAVADO	WASHING FITTING
LAV699	TUERCA PLASTICO DE LAVADO	WASHING NUT
LAV700	TUERCA ACLARADO	RINSE NUT
LAV701	TAPON ACLARADO	RINSING CAP
LAV703	SOPORTE RACORD LAVADO	WASHING FITTING SUPPORT
LAV704	RACOR LAVADO	WASHING FITTING
LAV724	TUERCA DEPOSITO SAL	SALT CONTAINER NUT
LAV725	TAPON BOTELLA SAL	SALT BOTTLE CAP
LAV726	JUNTA GOMA BOTELLA SAL	BOTTLE SALT RUBBER GASKET
LAV734	CRUZ LAVADO	WASHING CROSSHEAD
LAV735	MANDO FIJACION 40-400F	40-400F FIXATION HANDLE
LAV736	TORNILLO	SCREW
LAV737	EJE COLECTOR CENTRO	COLLECTOR ROD
LAV738	ASTA ACLARADO SUPERIOR	UPPER RINSE ARM
LAV744	JUNTA SOPORTE ALIMENTARIA	SUPPORT KLINGERIT GASKET
LAV745	JUNTA RACOR ALIMENTARIA	FITTING ALIMENTARY GASKET
LAV755	RACOR CENTRAL	CENTRAL FITTING
LAV760	CODO RS614/S611/11R-F	RS-614/ S611/11R-F ELBOW
LAV761	CODO DESAGÜE RS614/11R-F	RS614/11R-F DRAIN ELBOW
LAV769	EJE COLECTOR S611/614/11R	S611/614/11R ROD
LAV770	COLECTOR INFERIOR	LOWER COLLECTOR
LAV771	DEPOSITO ABRILLANTADOR	RINSE AID CONTAINER
LAV772	CALDERIN RS614/S611/11R-F	RS 614/S611/11R-F BOILER
LAV774	RACOR FILTRO	FILTER FITTING
LAV776	JUNTA COLECTOR GOMA	COLLECTOR RUBBER GASKET
LAV777	HELICE LAVADO	WASHING PROPELLER
LAV778	ARBOL LAVADO SUP. 11F COMPLETO	11F UPPER WASH TREE
LAV779	BRAZO LAVADO	WASHING ARM
LAV780	BRAZO ACLARADO	RINSE ARM
LAV781	RACOR CRUZ	FITTING
LAV783	ARBOL LAVADO INF.S611/11F	S611/11F LOWER RINSE TREE
LAV805	PIPA DESAGÜE	DRAIN PIPE
LAV806	SOPORTE DESAGÜE	INLET SUPPORT
LAV807	SOBRENIVEL	OVERFLOW
LAV838	EJE COLECTOR ACLARADO	COLLECTOR ROD
LAV839	TUERCA FIJACION PLASTICO	PLASTIC FIXING NUT
LAV898	DOSIFICADOR ABRILLANTADOR	RINSE AID DOSIMETER
LAV900	DEPURADOR LAVATAZAS	WASHING CUP PURIFIER
LAV901	DEPOSITO SAL COMPLETO	SALT CONTAINER
LAV979	GIRATORIO ACLARADO 35F	35F/40F RINSE GYRATORY
M...71	TORICA GOMA	EPDM RUBBER RING
P..130	TORICA EPDM	RING
V...5	TUBO GOMA 10X16 20 ATM	20ATM 10X17 RUBBER PIPE
V..62	ABRAZADERA 12-20	12-20 CLAMP
V..63	ABRAZADERA 20-32	20-35 CLAMP
V..133	ELECTROVAL.2 VIA LAV.220V	WASH 2 WAYS 220V SOLENOID
V..201	TUBO DESAGÜE 28mm. 1.5mt.	28mm. 1.5mt OUTLET PIPE
V..415	TOMA LAVADORA 1.5M	QUALITY 1.5M.INLET W.FLEX
V..448	TUBO PRESOSTATO-METRO 4X6	4X6 PRE.SWITCH INLET PIPE
V..546	JUNTA GOMA 3/4	WATER INLET RUBBER GASKET

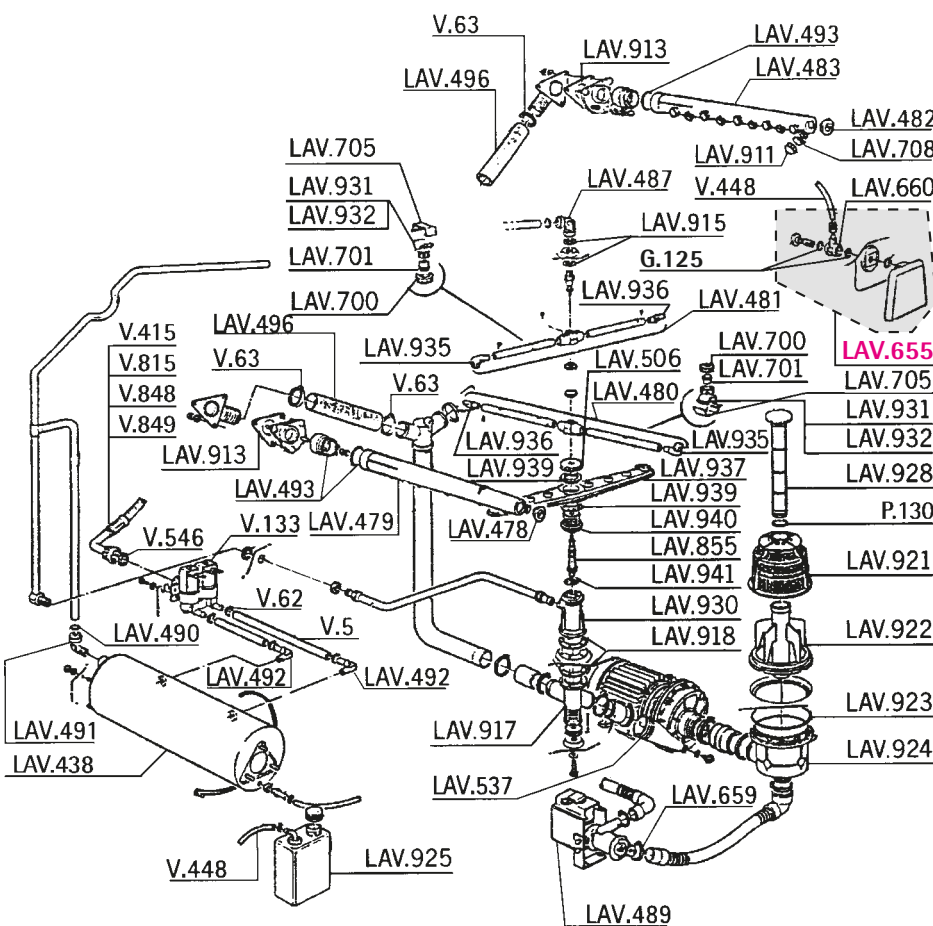


REF.	DESCRIPCIÓN	DESCRIPTION
C...19	JUNTA ALIMENTARIA	ALIMENTARY GASKET
CL.154	FILTRO ANTIPARASITARIO	ANTIPARASITIC FILTER
H32529	PROGRAMADOR	TIMER
LAV433	RELE 60.62 240/50HZ	240/50HZ 60.62 RELAY
LAV452	RELE 65.31 230/50HZ	65.31 230/50HZ RELAY
LAV499	FILTRO 22F-R	22F-R FILTER
LAV540	FILTRO 22F-R	22F-R FILTER
LAV615	RESISTENCIA CUBA 2000W	2000W 230V TANK RESISTANCE
LAV618	JUNTA RESISTENCIA ALIMENTARIA	RESISTANCE ALIMENTARY GASKET
LAV620	RESISTENCIA CALDER. 4500W 230V	BOILER RESISTANCE 4500W 230V
LAV625	PRESOSTATO SAL.HOR.55/35	55/35 HOR.PRESSURE SWITCH
LAV629	PRESOSTATO SAL.HOR.35/17	35/17 HORIZ.PRESS.SWITCH
LAV633	TERMOSTATO CUBA ROSCADO	SCREW TANK THERMOSTAT
LAV642	CONMUTADOR GENERAL R-708	R-708 GENERAL SWITCH
LAV667	TERMOSTATO CALDERIN	BOILER THERMOSTAT
LAV689	PASADOR PUERTA	DOOR PIN
LAV713	BISAGRA IZDA.MOD.11/22R-F	11/22R-F LEFT MOD.HINGE
LAV727	BISAGRA DCHA.MOD.11/22R-F	11/22R-F RIGHT MOD HINGE
LAV730	BISAGR.IZDA.PUER 11/22F-R	11/22F-R LEFT HINGE
LAV748	BISAG.DCHA.PUERT 11/22F-R	11/22F-R RIGHT HINGE
LAV784	CIERRE PUERTA	CLOSING DOOR
LAV785	PIVOTE CIERRE PUERTA	CLOSING DOOR PIVOT
LAV786	SOPORTE CIERRE PUERTA 22R	22R CLOSING DOOR SUPPORT
LAV791	PILOTO 22R-F VERDE 12mm	22R-F 12mm GREEN LAMP
LAV793	PILOTO 22R-F AMBAR	22R-F YELLOW WARNING LAMP
LAV801	MANDO INTERRUPTOR MARCHA	SWITCH HANDLE
LAV802	MANDO PROGRAMADOR 22R-F	22R-F TIMER HANDLE
LAV808	PULSADOR MANDO PROGR.	TIMER HANDLE PUSH-BUTTON
LAV829	PIE MAQUINA	MACHINE FOOT
LAV898	DOSIFICADOR ABRILLANTADOR	RINSE AID DOSIMETER
M..281	PILOTO ROJO 220V 12mm	220V 12mm WARNING LAMP
V..133	ELECTROVAL.2 VIA LAV.220V	WASH 2 WAYS 220V SOLENOID



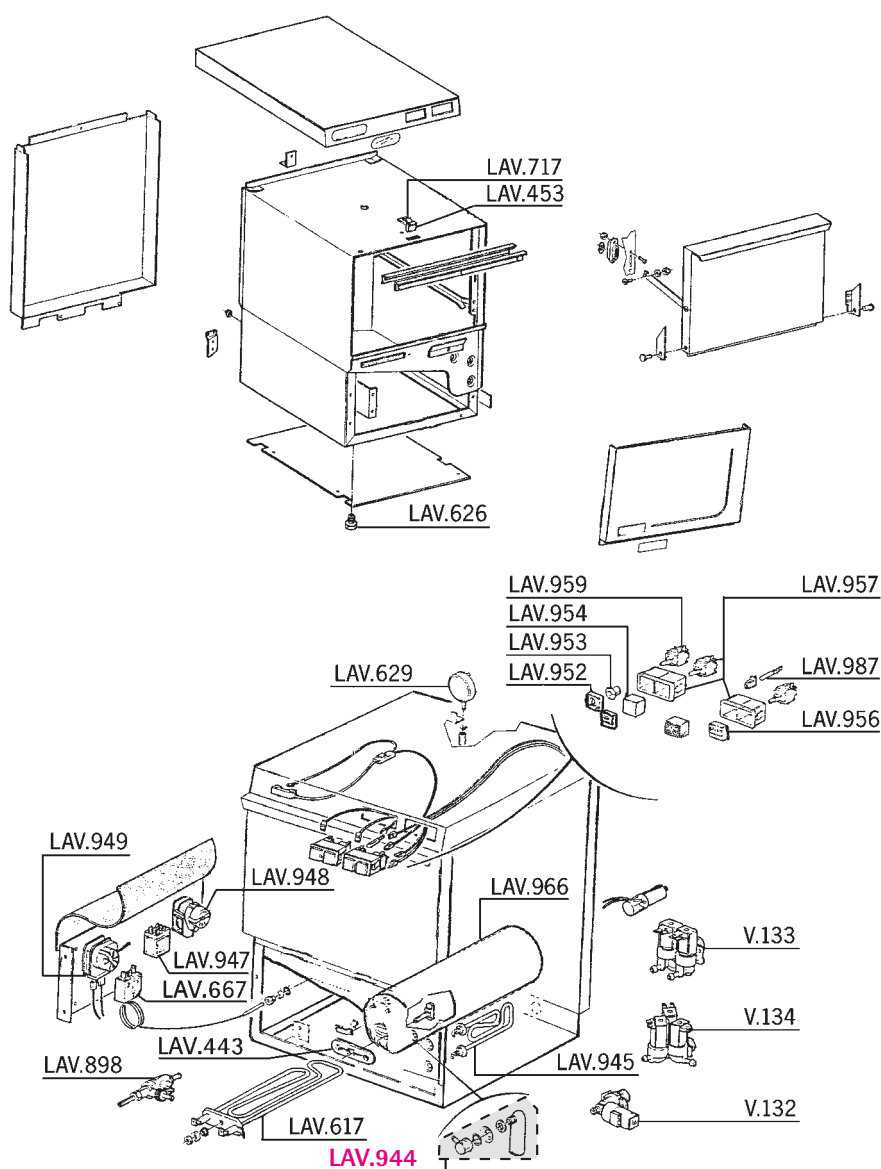


REF.	DESCRIPCIÓN	DESCRIPTION
G..125	TORICA GOMA EPDM	RUBBER RING
LAV438	CALDERIN 22 R/F	22 R/F BOILER
LAV485	TUERCA SUPERIOR	UPPER NUT
LAV486	RACOR UNION	UNION FITTING
LAV487	CODO	ELBOW
LAV488	BRAZO ACLARADO	RINSE ARM
LAV489	BOMBA DESAGÜE	OUTLET PUMP
LAV490	JUNTA GOMA	RUBBER GASKET
LAV491	CODO	ELBOW
LAV492	CODO	ELBOW
LAV493	TORICA GOMA	RUBBER RING
LAV494	TAPON	CAP
LAV495	TUBO LAVADO	WASHING PIPE
LAV496	MANGUITO (1 METRO)	SLEEVE
LAV538	MOTOR BOMBA 0.6HP MOD.22R	0.6HP MOD.22R MOTOR PUMP
LAV655	CAMPANA PRESOSTATO	PRESSURE SWITCH BELL
LAV659	JUNTA GOMA	RUBBER GASKET
LAV660	RACOR CAMPANA	PRESSURE SWITCH FITTING
LAV694	BRIDA ACLARADO SERIE «R»	R CLEAR CLASP
LAV695	ESPIRAL ACLARADO SERIE R	CLEAR SPIRAL
LAV696	RACOR ACLAR. SERIE «R»	SERIE R RINSE FITTING
LAV707	ABRAZADERA LAVADO SERIE R	SERIE R WASHER CLAMP
LAV708	HELICE LAVADO	WASHING PROPELLER
LAV709	RACOR LAVADO SUPERIOR	UPPER WASHING FITTING
LAV712	VOLANTE 39.5CM.	39.5CM.ROTATING PLATE
LAV842	TUERCA FIJACION	FIXING NUT
LAV850	EJE VOLANTE	ROTATING PLATE ROD
LAV852	MANGUITO	SLEEVE
LAV894	BRAZO LAVADO-ACLARADO	WASH/RINSE ARM
LAV908	COLECTOR CENTRAL 22R	22R CENTRAL COLLECTOR
LAV911	SURTIDOR LAVADO	WASHING SPRAY
LAV913	JUNTA GOMA	RUBBER GASKET
LAV915	JUNTA CALDERIN ALIMENTAR. 22R/F	BOILER ALIMENTARY GASKET 22R/F
LAV917	COLECTOR INFERIOR 22R-F	22R/F LOWER COLLECTOR
LAV918	JUNTA COLECTOR INFERIOR GOMA	RUBBER GASKET
LAV919	MANGUITO ASPIRACION 22R	22R SUCTION SLEEVE
LAV920	SOBRENIVEL 22R	22R OVERFLOW
LAV921	FILTRO BOMBA	PUMP FILTER
LAV922	GUIA DESAGÜE	DRAIN GUIDE
LAV923	TORICA DESAGÜE	DRAIN RING
LAV924	COLECTOR LAVADO	WASHING COLLECTOR
LAV925	DEPOSITO ABRIL.S810/22R-F	S-810/22R-F RINSE AID CON RING
P.130	TORICA EPDM	RING
V...5	TUBO GOMA 10X16 20 ATM	20ATM 10X17 RUBBER PIPE
V...62	ABRAZADERA 12-20	12-20 CLAMP
V...63	ABRAZADERA 20-32	20-35 CLAMP
V.133	ELECTROVAL.2 VIA LAV.220V	WASH 2 WAYS 220V SOLENOID
V.415	TOMA LAVADORA 1,5M	QUALITY 1.5M.INLET W.FLEX
V.448	TUBO PRESOSTATO-METRO 4X6	4X6 PRE.SWITCH INLET PIPE
V.546	JUNTA GOMA 3/4	WATER INLET RUBBER GASKET



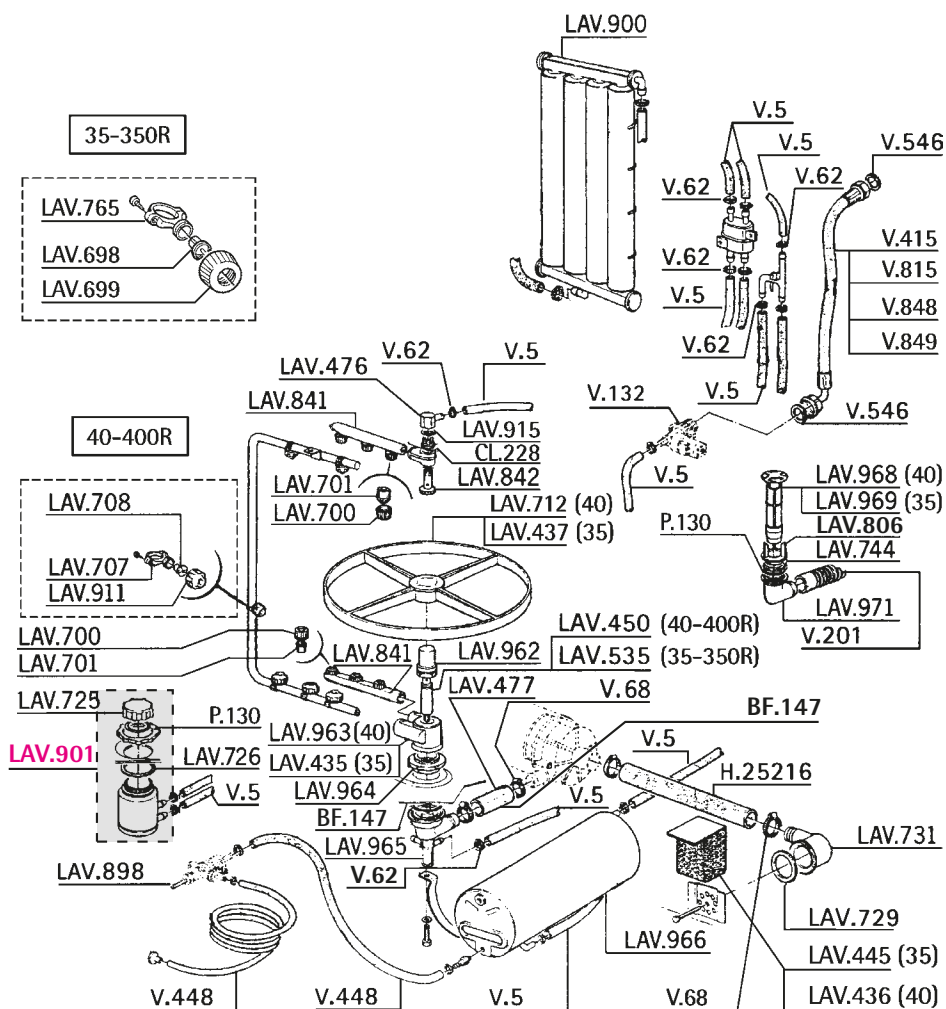
REF.	DESCRIPCIÓN	DESCRIPTION
G..125	TORICA GOMA	RUBBER GASKET
LAV438	CALDERIN 22 R/F	22 R/F BOILER
LAV478	TAPON PLASTICO	CAP
LAV479	TUBO LAVADO	WASHING PIPE
LAV480	GIRATORIO ACLARADO	RINSE GYRATORY
LAV481	GIRATORIO ACLARADO SUP.	UPPER RINSE GYRATORY
LAV482	TAPON	CAP
LAV483	ARBOL ACLARADO	RINSE ARM
LAV487	CODO	ELBOW
LAV489	BOMBA DESAGÜE	OUTLET PUMP
LAV490	JUNTA GOMA	RUBBER GASKET
LAV491	CODO	ELBOW
LAV492	CODO	ELBOW
LAV493	TORICA GOMA	RUBBER RING
LAV496	MANGUITO (1 METRO)	SLEEVE
LAV506	GUIA TUERCA LAVADO	WASHING NUT GUIDE
LAV537	MOTOBOMBA 0.8HP MOD.22F	0.8HP MOD.22F WASHPUMP
LAV655	CAMPANA PRESOSTATO	PRESSURE SWITCH BELL
LAV659	JUNTA GOMA	RUBBER GASKET
LAV660	RACOR CAMPANA	PRESSURE SWITCH FITTING
LAV700	TUERCA ACLARADO	RINSE NUT
LAV701	TAPON ACLARADO	RINSE CAP
LAV705	MUELLE FIJA SURTIDOR	SPRING
LAV708	HELICE LAVADO	WASHING PROPELLER
LAV855	PERNO COLECTOR	COLLECTOR BOLT
LAV911	SURTIDOR LAVADO	WASHING SPRAY
LAV913	JUNTA GOMA	RUBBER GASKET
LAV915	JUNTA CALDERIN ALIMENTAR. 22R/F	BOILER ALIMENTARY GASKET 22R/F
LAV917	COLECTOR INFERIOR 22R-F	22R/F LOWER COLLECTOR
LAV918	JUNTA COLECTOR INFERIOR GOMA	RUBBER GASKET
LAV921	FILTRO BOMBA	PUMP FILTER
LAV922	GUIA DESAGÜE	DRAIN GUIDE
LAV923	TORICA DESAGÜE	DRAIN RING
LAV924	COLECTOR LAVADO	WASHING COLLECTOR
LAV925	DEPOSITO ABRIL.S810/22R-F	S-810/22R-F RINSE AID CON RING
LAV928	SOBRENIVEL 22F	22F OVERFLOW
LAV930	COLECTOR 22F	22F COLLECTOR
LAV931	PORTA SURTIDOR GRANDE DCHA	RIGH WATER SPOUT HOLDER
LAV932	PORTA SURTIDOR GRANDE IZD	LEFT WATER SPOUT HOLDER
LAV935	TERMINAL BRAZO ACLARADO	RINSE ARM TERMINAL
LAV936	TERMINAL CIEGO BRAZO ACL.	RINSE ARM TERMINAL
LAV937	BRAZO LAVADO	WASHING ARM
LAV939	CASQUILLO BRAZO LAV.PEQ.	WASHING PIPE CAP
LAV940	SOPORTE GUIA	GUIDE SUPPORT
LAV941	DISCO	DISC
P.130	TORICA EPDM	RING
V...5	TUBO GOMA 10X16 20 ATM	20ATM 10X17 RUBBER PIPE
V...62	ABRAZADERA 12-20	12-20 CLAMP
V...63	ABRAZADERA 20-32	20-35 CLAMP
V.133	ELECTROVAL.2 VIA LAV.220V	WASH 2 WAYS 220V SOLENOID
V.415	TOMA LAVADORA 1,5M	QUALITY 1.5M.INLET W.FLEX
V.448	TUBO PRESOSTATO-METRO 4X6	4X6 PRE.SWITCH INLET PIPE
V.546	JUNTA GOMA 3/4	WATER INLET RUBBER GASKET
V.815	TOMA LAVADORA 2 METROS	2 MT.INLET WATER FLEXIBLE
V.848	TOMA LAVADORA 1.5M INOX	INOX 1.5M INLET WATER FL.

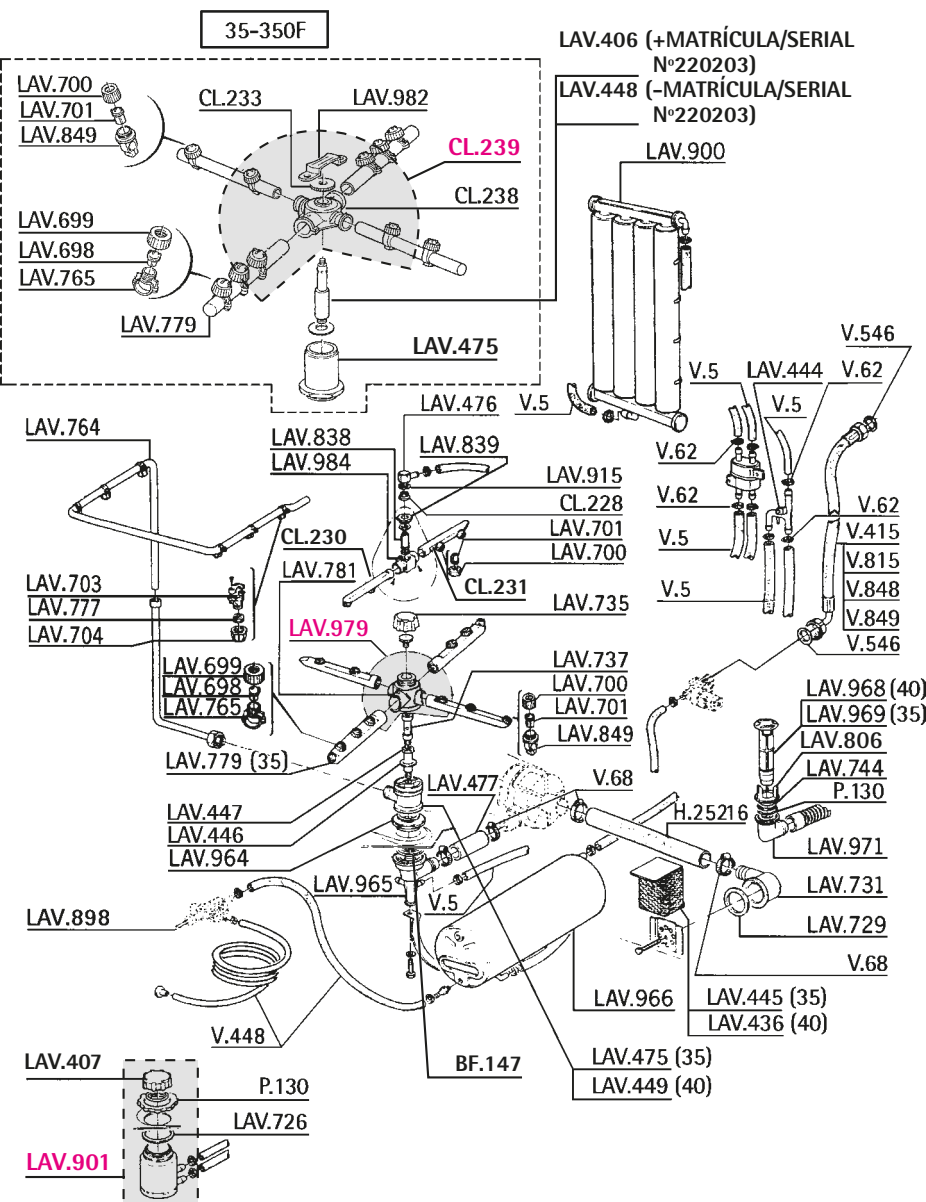
REF.	DESCRIPCIÓN	DESCRIPTION
LAV443	JUNTA RESISTENCIA	RESISTANCE GASKET
LAV453	BASE CIERRE PUERTA	CLOSING DOOR BASE
LAV617	RESISTENCIA 2500W 230V	RESISTANCE 2500W 230V
LAV626	PIE MAQUINA	MACHINE FOOT
LAV629	PRESOSTATO SAL.HOR.35/17	35/17 HORIZ.PRESS.SWITCH
LAV667	TERMOSTATO CALDERIN	BOILER THERMOSTAT
LAV717	MUELLE CIERRE	CLOSING SPRING
LAV898	DOSIFICADOR ABRILLANTADOR	RINSE AID DOSIMETER
LAV944	CAMARA PRESOSTATICA	PRES.SWITCH CHAMBER
LAV945	RESIST.VASCA 35/40 1000W 230V	TANK 35/40 RESIST. 1000W 230V
LAV947	RELE A2-230AC-L	A2-230AC-L RELAY
LAV948	PROGRAMADOR 3 LEVAS 150S	3 TOOTH 150S TIMER
LAV949	PROGRAMADOR REGEN.1MICRO	1TOOTH REGENERACT. TIMER
LAV952	PLASTICO	PLASTIC
LAV953	TAPON BICOLOR	BICOLOUR CAP
LAV954	PLASTICO	PLASTIC
LAV956	PLASTICO PULSADOR	PUSH BUTTON PLASTIC
LAV957	CAJA BOTONERA	DOSING DEVICE BOX
LAV959	CONMUTADOR DOBLE	DOUBLE SWITCH
LAV966	CALDERIN 35/40	35/40 BOILER
LAV987	PILOTO BLANCO 9.5mm 220V	9.5mm WHITE WARNING LAMP
V..132	ELECTROVAL.1 VIA LAV.220V	WASH 1 WAY 220V SOLENOID
V..133	ELECTROVAL.2 VIA LAV.220V	WASH 2 WAYS 220V SOLENOID
V..134	ELECTROVAL.3VIA LAV.220V	WASH 3 WAYS 220V SOLENOID



Lavado / Aclarado 35-350R / 40-400R ■ 35-350R / 40-400R Rinse / Wash

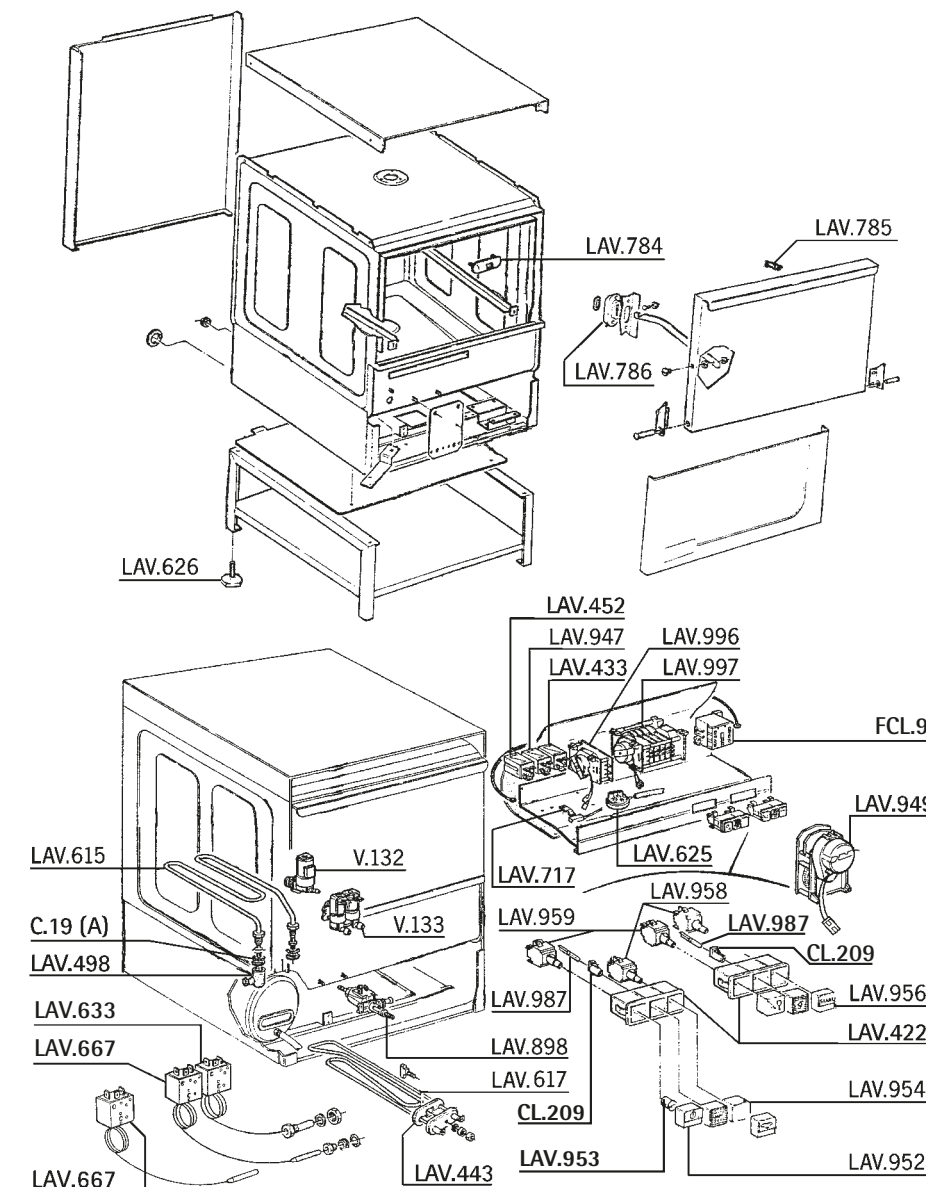
REF.	DESCRIPCIÓN	DESCRIPTION
BF.147	TORICA RESISTENCIA GOMA	RESISTANCE RUBBER RING
CL.228	TAPON	CAP
H25216	TUBO DESAGÜE TODOS MODELO	OUTLET PIPE
LAV435	COLECTOR 35-350R	COLECTOR 35-350R
LAV436	FILTRO BOMBA 40-400	40-400 PUMP FILTER
LAV437	VOLANTE 35-350R	ROTATING PLATE 35-350R
LAV445	FILTRO 35-350	35-350 FILTER
LAV450	EJE VOLANTE 40-400R	40-400R ROTAT.PLATE ROD
LAV476	RACOR	FITTING
LAV477	MANGUITO	SLEEVE
LAV535	EJE VOLANTE 35-350R	35-350R ROTAT.PLATE ROD
LAV698	RACOR LAVADO	WASHING FITTING
LAV699	TUERCA PLASTICO DE LAVADO	WASHING NUT
LAV700	TUERCA ACLARADO	RINSE NUT
LAV701	TAPON ACLARADO	RINSING CAP
LAV707	ABRAZADERA LAVADO SERIE R	SERIE R WASHER CLAMP
LAV708	HELICE LAVADO	WASHING PROPELLER
LAV712	VOLANTE 39.5CM.	39.5CM.ROTATING PLATE
LAV725	TAPON BOTELLA SAL	SALT BOTTLE CAP
LAV726	JUNTA GOMA BOTELLA SAL	BOTTLE SALT RUBBER GASKET
LAV729	JUNTA GOMA TAPON DESAGÜE	DRAIN CAP RUBBER GASKET
LAV731	PIPA DES.R500/501/509/511	R500-501-509-511 DRAIN PI
LAV744	JUNTA SOPORTE ALIMENTARIA	SUPPORT KLINGERIT GASKET
LAV765	SOPORTE RACORD LAVADO	WASHING FITTING SUPPORT
LAV841	ASTA ACLARADO	RINSE ARM
LAV842	TUERCA FIJACION	FIXING NUT
LAV898	DOSIFICADOR ABRILLANTADOR	RINSE AID DOSIMETER
LAV900	DEPURADOR LAVATAZAS	WASHING CUP PURIFIER
LAV901	DEPOSITO SAL COMPLETO	SALT CONTAINER
LAV911	SURTIDOR LAVADO	WASHING SPRAY
LAV915	JUNTA CALDERIN ALIMENTAR.	BOILER ALIMENTARY GASKET
LAV962	EJE VOLANTE 35R/40R	35-R/40-ROTAT. PLATE ROD
LAV963	COLECTOR	COLLECTOR
LAV964	GUIA INFERIOR 35R/40R	35R/40R LOWER GUIDE
LAV965	COLECTOR INFERIOR	LOWER COLLECTOR
LAV966	CALDERIN 35/40	35/40 BOILER
LAV968	SOBRENIVEL 40R-F	40R-F OVERFLOW
LAV969	SOBRENIVEL 35R-F	35R-F OVERFLOW
LAV970	SOPORTE TAPON REBOSADERO INOX	INLET CAP SUPPORT
LAV971	PIPA DESAGÜE 35/40	35/40 DRAIN PIPE
P..130	TORICA EPDM	RING
V...5	TUBO GOMA 10X16 20 ATM	20ATM 10X17 RUBBER PIPE
V...62	ABRAZADERA 12-20	12-20 CLAMP
V...68	ABRAZADERA 32-50	32-50 CLAMP
V..132	ELECTROVAL.1 VIA LAV.220V	WASH 1 WAY 220V SOLENOID
V..201	TUBO DESAGÜE 28mm. 1.5mt.	28mm. 1.5mt OUTLET PIPE
V..415	TOMA LAVADORA 1,5M	QUALITY 1.5M.INLET W.FLEX
V..448	TUBO PRESOSTATO-METRO 4X6	4X6 PRE.SWITCH INLET PIPE
V..546	JUNTA GOMA 3/4	WATER INLET RUBBER GASKET
V..815	TOMA LAVADORA 2 METROS	2 MT.INLET WATER FLEXIBLE
V..848	TOMA LAVADORA 1.5M INOX	INOX 1.5M INLET WATER FL.
V..849	TOMA LAV.INOX 2MT.3/4X3/4	INOX 2MT.INLET WATER FLE.





REF.	DESCRIPCIÓN	DESCRIPTION
BF.147	TORICA RESISTENCIA GOMA TAPON	RESISTANCE RUBBER RING CAP
CL.228	BRAZO ACLARADO IZQUIERDO	LEFT RINSE ARM
CL.230	BRAZO ACLARADO DERECHO	RIGHT RINSE ARM
CL.231	TUERCA INOX	INOX NUT
CL.233	CRUCETA	CROSSHEAD
CL.238	GIRATORIO	GYRATORY
CL.239	TUBO DESAGÜE TODOS MODELO	OUTLET PIPE
H25216	EJE 35-350F MODERNO	MODERN 35-350F ROD
LAV.406	TAPON DEPOSITO SAL	SALT TANK CAP
LAV.407	FILTRO BOMBA 40-400	40-400 PUMP FILTER
LAV.436	RACOR 3 VIAS	3 WAYS FITTING
LAV.444	FILTRO 35-350	35-350 FILTER
LAV.445	ARANDELA EJE 40-400F	40-400F WASHER ROD
LAV.446	BASE EJE 40-400F	40-400F ROD BASE
LAV.447	EJE 35-350F	35-350F ROD
LAV.448	RACOR 40-400F	40-400F FITTING
LAV.449	RACOR 35-350F	35-350F FITTING
LAV.475	RACOR	FITTING
LAV.476	MANGUITO	SLEEVE
LAV.477	RACOR LAVADO	WASHING FITTING
LAV.698	TUERCA PLASTICO DE LAVADO	WASHING NUT
LAV.700	TUERCA ACLARADO	RINSE NUT
LAV.701	TAPON ACLARADO	RINSE CAP
LAV.703	SOPORTE RACOR LAVADO	WASHING FITTING SUPPORT
LAV.704	RACOR LAVADO	WASHING FITTING
LAV.726	JUNTA GOMA BOTELLA SAL	BOTTLE SALT RUBBER GASKET
LAV.729	JUNTA GOMA TAPON DESAGÜE	DRAIN CAP RUBBER GASKET
LAV.731	PIPA DES.R500/501/509/511	R500-501-509-511 DRAIN PI
LAV.735	MANDO FIJACION 40-400F	40-400F FIXATION HANDLE
LAV.737	EJE COLECTOR CENTRO	COLLECTOR ROD
LAV.744	JUNTA SOPORTE ALIMENTARIA	SUPPORT KLINGERIT GASKET
LAV.764	ARBOL ACLARADO SUPERIOR	UPPER RINSE TREE
LAV.765	SOPORTE RACOR LAVADO	WASHING FITTING SUPPORT
LAV.777	HELICE LAVADO	WASHING PROPELLER
LAV.779	BRAZO LAVADO	WASHING ARM
LAV.781	RACOR CRUZ	FITTING
LAV.806	SOPORTE DESAGÜE	INLET SUPPORT
LAV.838	EJE COLECTOR ACLARADO	COLLECTOR ROD
LAV.839	TUERCA FIJACION PLASTICO	PLASTIC FIXING NUT
LAV.849	ABRAZADERA ACLARADO	RINSE CLAMP
LAV.898	DOSIFICADOR ABRILLANTADOR	RINSE AID DOSIMETER
LAV.900	DEPURADOR LAVATAZAS	WASHING CUP PURIFIER
LAV.915	DEPOSITO SAL COMPLETO	SALT CONTAINER
LAV.964	JUNTA CALDERIN ALIMENTAR.	BOILER ALIMENTARY GASKET
LAV.965	GUIA INFERIOR 35R/40R	35R/40R LOWER GUIDE
LAV.966	COLECTOR INFERIOR	LOWER COLLECTOR
LAV.968	CALDERIN 35/40	35/40 BOILER
LAV.969	SOBRENIVEL 40R-F	40R-F OVERFLOW
LAV.971	SOBRENIVEL 35R-F	35R-F OVERFLOW
LAV.972	PIPA DESAGÜE 35/40	35/40 DRAIN PIPE
LAV.979	GIRATORIO ACLARADO 35F	35F/40F RINSE GYRATORY
LAV.982	TAPON COLECTOR 35-350F	35-350F COLLECTOR CAP
LAV.984	COLECTOR SUP. ACLARADO	RINSE UPPER COLLECTOR
P.130	TORICA EPDM	RING
V...5	TUBO GOMA 10X16 20 ATM	20ATM 10X17 RUBBER PIPE
V...62	ABRAZADERA 12-20	12-20 CLAMP
V...68	ABRAZADERA 32-50	35-50 CLAMP
V...415	TOMA LAVADORA 1,5M	QUALITY 1.5M.INLET W.FLEX
V...448	TUBO PRESOSTATO-METRO 4X6	4X6 PRE.SWITCH INLET PIPE
V...546	JUNTA GOMA 3/4	WATER INLET RUBBER GASKET
V...815	TOMA LAVADORA 2 METROS	2 MT.INLET WATER FLEXIBLE
V...848	TOMA LAVADORA 1.5M INOX	INOX 1.5M INLET WATER FL.
V...849	TOMA LAV.INOX 2MT.3/4X3/4	INOX 2MT.INLET WATER FLE.

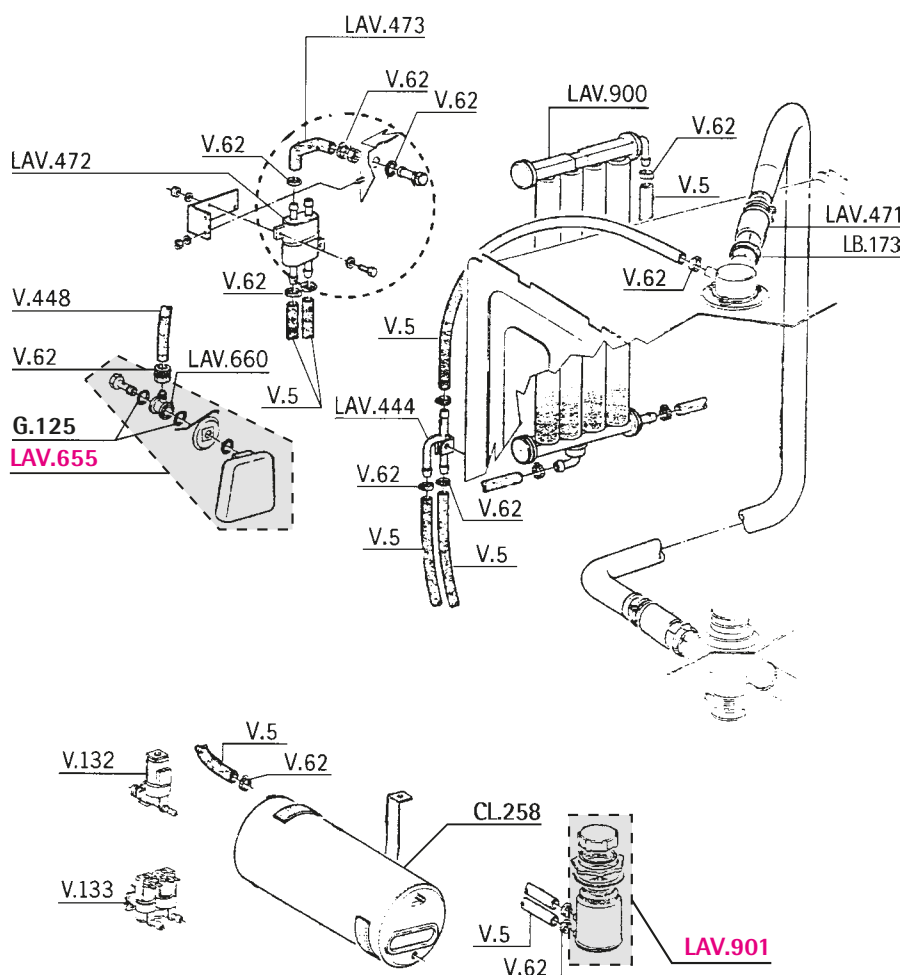
Carrocería / Componentes eléctricos 50-500F ■ 50-500F Electric components / Bodywork



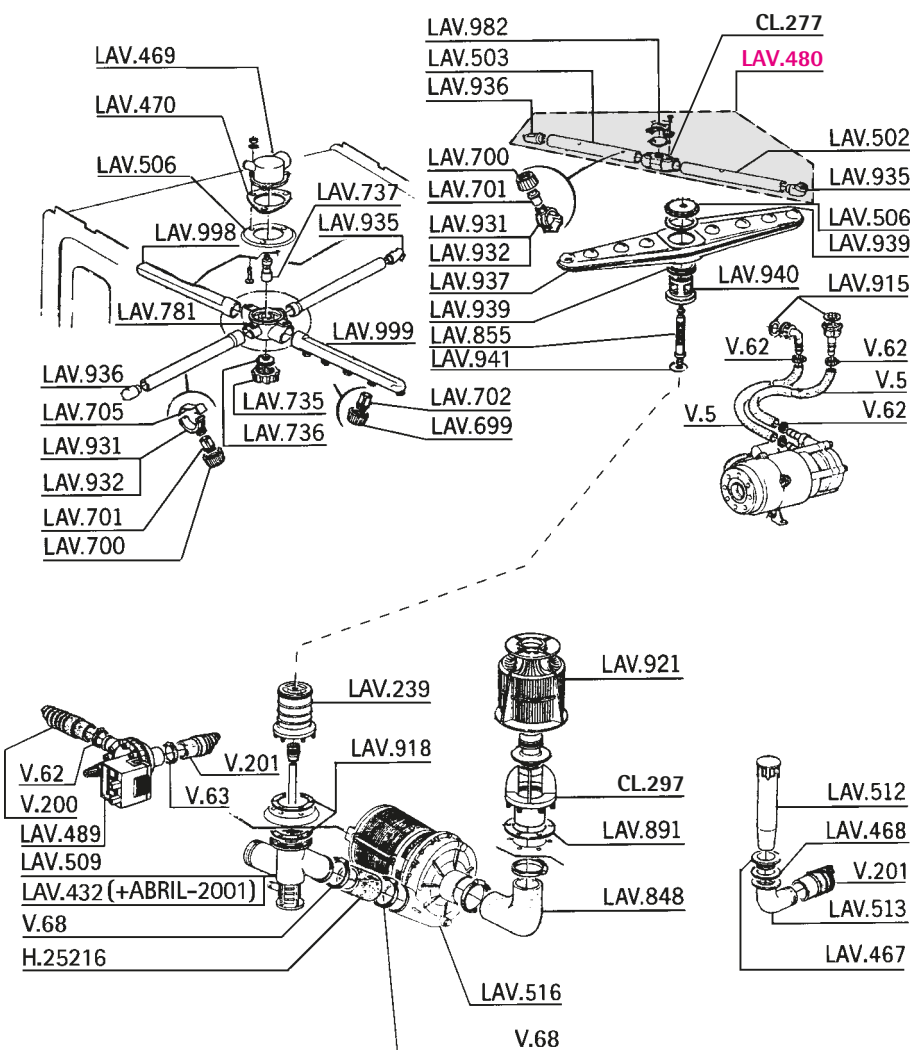
REF.	DESCRIPCIÓN	DESCRIPTION
C...19	JUNTA ALIMENTARIA	ALIMENTARY GASKET
CL.209	PROTECTOR PILOTO	WARNING LAMP PROTECTOR
FCL...9	CONTACTOR	CONTACTOR
LAV.422	CARCASA INTERRUPTORES	SWITCH BODYWORKS
LAV.433	RELE 60.62 240/50HZ	240/50HZ 60.62 RELAY
LAV.443	JUNTA RESISTENCIA	RESISTANCE GASKET
LAV.452	RELE 65.31 230/50HZ	65.31 230/50HZ RELAY
LAV.498	RACOR T	T FITTING
LAV.615	RESISTENCIA CUBA 2000W	2000W 230V TANK RESISTANCE
LAV.617	RESISTENCIA 2500W 230V	RESISTANCE 2500W 230V
LAV.625	PRESOSTATO SAL.HOR.55/35	55/35 HOR.PRESSURE SWITCH
LAV.626	PIE MAQUINA	MACHINE FOOT
LAV.633	TERMOSTATO CUBA ROSCADO	SCREW TANK THERMOSTAT
LAV.667	TERMOSTATO CALDERIN	BOILER THERMOSTAT
LAV.717	MUELLE CIERRE	CLOSING SPRING
LAV.784	CIERRE PUERTA	CLOSING DOOR
LAV.785	PIVOTE CIERRE PUERTA	CLOSING DOOR PIVOT
LAV.786	SOPORTE CIERRE PUERTA 22R	22R CLOSING DOOR SUPPORT
LAV.898	DOSIFICADOR ABRILLANTADOR	RINSE AID DOSIMETER
LAV.947	RELE A2-230AC-L	A2-230AC-L RELAY
LAV.949	PROGRAMADOR REGEN.1MICRO	1TOOTH REGENERACT. TIMER
LAV.952	PLASTICO	PLASTIC
LAV.953	TAPON BICOLOR	BICOLOUR CAP
LAV.954	PLASTICO	PLASTIC
LAV.956	PLASTICO PULSADOR	PUSH BUTTON PLASTIC
LAV.958	ARTICULO DADO DE BAJA	CANCEL
LAV.959	CONMUTADOR DOBLE	DOUBLE SWITCH
LAV.987	PILOTO BLANCO 9.5mm 220V	9.5mm WHITE WARNING LAMP
LAV.996	PROGRAMADOR 1MICRO 20min.	20 MIN.1 TOOTH TIMER
LAV.997	PROGRAMADOR 60-180S	60-180S TIMER
V.132	ELECTROVAL.1 VIA LAV.220V	WASH 1 WAY 220V SOLENOID
V.133	ELECTROVAL.2 VIA LAV.220V	WASH 2 WAYS 220V SOLENOID

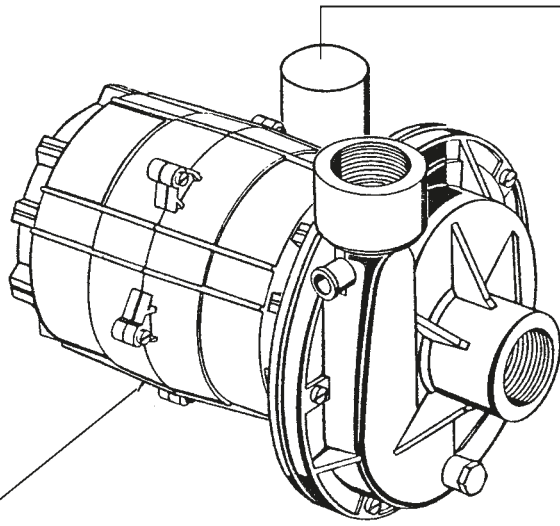
In case of doubt, please CONTACT US  Tel: 93 377 64 11 Fax: 93 377 98 03 ascaso@ascaso.com

REF.	DESCRIPCIÓN	DESCRIPTION
CL.258	CALDERIN	BOILER
G..125	TORICA GOMA EPDM	RUBBER RING
LAV444	RACOR 3 VIAS	3 WAYS FITTING
LAV471	MANGUITO	SLEEVE
LAV472	UNION TUBO	PIPE JUNCTION
LAV473	MANGUITO	SLEEVE
LAV655	CAMPANA PRESOSTATO	PRESSURE SWITCH BELL
LAV660	RACOR CAMPANA	PRESSURE SWITCH FITTING
LAV900	DEPURADOR LAVATAZAS	WASHING CUP PURIFIER
LAV901	DEPOSITO SAL COMPLETO	SALT CONTAINER
LB.173	ABRAZADERA 60-80	60-80 CLAMP
V...5	TUBO GOMA 10X16 20 ATM	20ATM 10X17 RUBBER PIPE
V...62	ABRAZADERA 12-20	12-20 CLAMP
V..132	ELECTROVAL.1 VIA LAV.220V	WASH 1 WAY 220V SOLENOID
V..133	ELECTROVAL.2 VIA LAV.220V	WASH 2 WAYS 220V SOLENOID
V..448	TUBO PRESOSTATO-METRO 4X6	4X6 PRE.SWITCH INLET PIPE



REF.	DESCRIPCIÓN	DESCRIPTION
CL.277	UNION	JUNCTION
CL.297	BASE FILTRO	FILTER BASE
H25216	TUBO DESAGÜE TODOS MODELO	OUTLET PIPE
LAV239	RACOR CENTRAL INFERIOR	LOWER CENTRAL FITTING
LAV432	COLECTOR MOD.ABRIL 2001	APRIL 2001 MODERN COLECT.
LAV467	JUNTA GOMA	RUBBER GASKET
LAV468	TUERCA	NUT
LAV469	COLECTOR	COLLECTOR
LAV470	JUNTA GOMA	RUBBER GASKET
LAV480	GIRATORIO ACLARADO	RINSE GYRATORY
LAV489	BOMBA DESAGÜE	OUTLET PUMP
LAV502	BRAZO ACLARADO 1 SALIDA	1 EXIT RINSE ARM
LAV503	BRAZO ACLARADO 2 SALIDAS	2 EXIT RINSE ARM
LAV506	GUIA TUERCA LAVADO	WASHING NUT GUIDE
LAV509	COLECTOR INFERIOR	LOWER COLLECTOR
LAV512	TAPON DESAGÜE 50R-F	50R-F INLET CAP
LAV513	CURVA DESCARGA	OUTLET ELBOW
LAV516	MOTOR BOM.0.8HP M.50/500	0.8HP MOD.50/500 MOTOR
LAV699	TUERCA PLASTICO DE LAVADO	WASHING NUT
LAV700	TUERCA ACLARADO	RINSE NUT
LAV701	TAPON ACLARADO	RINSING CAP
LAV702	TAPON LAVADO GRANDE	GREAT WASHING CAP
LAV705	MUELLE FIJA SURTIDOR	SPRING
LAV735	MANDO FIJACION 40-400F	40-400F FIXATION HANDLE
LAV736	TORNILLO	SCREW
LAV737	EJE COLECTOR CENTRO	COLLECTOR ROD
LAV781	RACOR CRUZ	FITTING
LAV848	MANGUITO ASPIRACION	SUCTION SLEEVE
LAV855	PERNO COLECTOR	COLECTOR BOLT
LAV891	JUNTA FILTRO BOMBA GOMA	FILTER PUMP RUBBER GASKET
LAV915	JUNTA CALDERIN ALIMENTAR.	BOILER ALIMENTARY GASKET
LAV918	JUNTA COLECTOR INFERIOR GOMA	RUBBER GASKET
LAV921	FILTRO BOMBA	PUMP FILTER
LAV931	PORTA SURTIDOR GRANDE DCHA	RIGHT WATER SPOUT HOLDER
LAV932	PORTA SURTIDOR GRANDE IZD	LEFT WATER SPOUT HOLDER
LAV935	TERMINAL BRAZO ACLARADO	RINSE ARM TERMINAL
LAV936	TERMINAL CIEGO BRAZO ACL.	RINSE ARM TERMINAL
LAV937	BRAZO LAVADO	WASHING ARM
LAV939	CASQUILLO BRAZO LAV.PEQ.	WASHING PIPE CAP
LAV940	SOPORTE GUIA	GUIDE SUPPORT
LAV941	DISCO	DISC
LAV982	TAPON COLECTOR 35-350F	35-350F COLLECTOR CAP
LAV998	BRAZO LAVADO IZQUIERDA	LEFT WASHING ARM
LAV999	BRAZO LAVADO DERECHA	RIGHT WASHING ARM
V...5	TUBO GOMA 10X16 20 ATM	20ATM 10X17 RUBBER PIPE
V...62	ABRAZADERA 12-20	12-20 CLAMP
V...63	ABRAZADERA 20-32	20-35 CLAMP
V...68	ABRAZADERA 32-50	35-50 CLAMP
V..200	TUBO DESAGÜE 17mm 1,8mt	17mm. 1.8mt OUTLET PIPE
V..201	TUBO DESAGÜE 28mm. 1,5mt.	28mm. 1.5mt OUTLET PIPE





- V.659 (5MF)
- F.598 (8MF)
- V.55 (10MF)
- V.56 (12MF)
- K.210 (16MF)
- V.662 (20MF)
- V.661 (25MF)

REF.	DESCRIPCIÓN	DESCRIPTION
F.598	CONDENSADOR 8 MF.220V	220V 8MF CONDENSER
K.210	CONDENSADOR 16 MF. 220V	16 MF. 220V CONDENSER
LAV516	MOTOR BOM.0.8HP M.50/500	0.8HP MOD.50/500 MOTOR
LAV518	MOTOBOMBA 0.15HP MOD.35	0.15HP MOD.35 MOTOR PUMP
LAV536	MOTOBOMBA 0.20HP 40-400F	0.20HP 40-400F WASHPUMP
LAV537	MOTOBOMBA 0.8HP MOD.22F	0.8HP MOD.22F WASHPUMP
LAV538	MOTOR BOMBA 0.6HP MOD.22R	0.6HP MOD.22R MOTOR PUMP
LAV600	MOTOBOMBA 0.4HP R-495	0.4 HP WASHING PUMP
LAV601	MOTOBOMBA 0.25HP	0.25 HP WASHING PUMP
LAV606	MOTOBOMBA 0.4HP	0.4 HP WASHING PUMP
LAV608	MOTOBOMBA 0.75HP	0.75 WASHING PUMP
LAV609	MOTOBOMBA 1.2HP S-810-815	1.2 HP WASHING PUMP
V...55	CONDENSADOR 10 MF 220V	220V 10MF.CONDENSER
V...56	CONDENSADOR 12,5 MF 220V	12,5MF 220V CONDENSER
V.659	CONDENSADOR 5 MF 220V	220V 5MF CONDENSER
V.661	CONDENSADOR 25 MF 220V	220V 25 MF CONDENSER
V.662	CONDENSADOR 20 MF 220V	220V 20 MF CONDENSER

- LAV.601 MODELOS S-611-11R-11F
- LAV.536 MODELO 40-400F
- LAV.537 MODELO 22F
- LAV.538 MODELO 22R
- LAV.516 MODELO 50-500F
- LAV.518 MODELO 35-350F
- LAV.600 MODELO R-495
- LAV.606 MODELOS S-621-623-624-626-631-633-634-636
- LAV.608 MODELOS S-651-653-654-655-830-835
- LAV.609 MODELOS S-810-815

Componentes motor Serie S/F/R ■ Serie S/F/R Motor components

Modelos / Models

LAV. 458	35-350-40-400F-11F-11R-S611
LAV. 461	22F-50-500F
LAV. 865	495-651-653-654-655-830-835
LAV. 866	497-499-501-503-505-507-509-511-704
LAV. 867	706-708
LAV. 868	621-623-624-626-631-633-634-636-22R
LAV. 869	810-815

J.71	40-400F
LAV. 456	50-500F
LAV. 459	35-350
LAV. 521	22F
LAV. 524	35-350F
LAV. 529	11R-11F-S611
LAV. 862	621-623-624-626-631-633-634
LAV. 863	651-653-654-655-830-835
LAV. 864	810-815

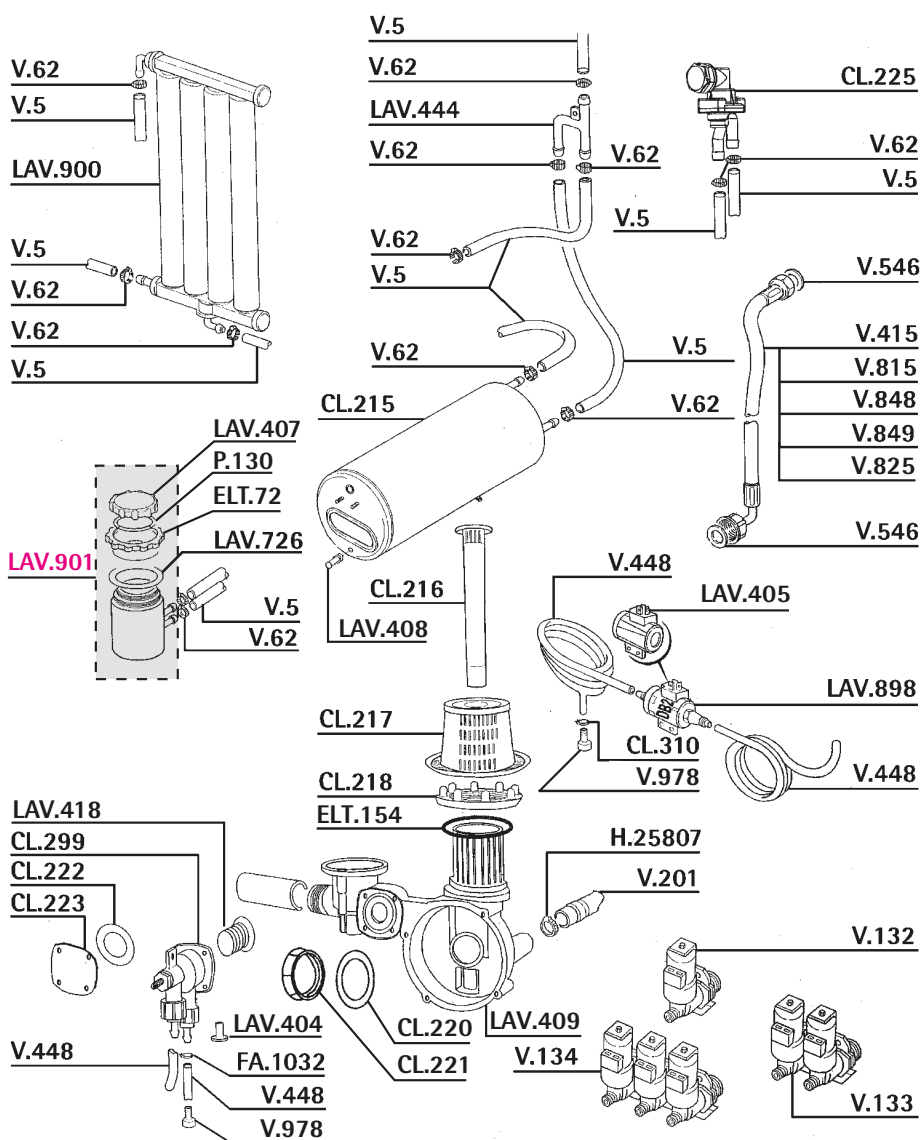
Modelos / Models

LAV. 870	651-653-654-656-830-835-810-815
LAV. 871	497-499-35-350-40-400F
LAV. 872	11R-11F-22R-22F-50-500F

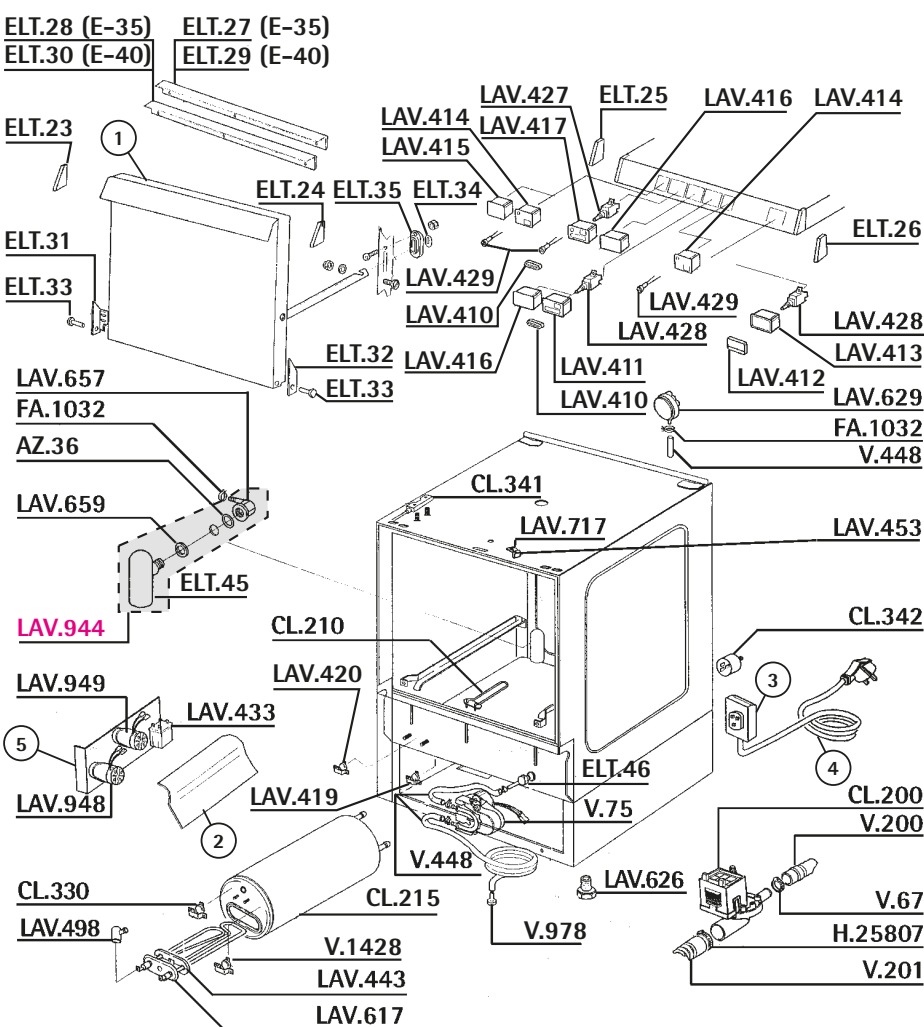
LAV. 457	50-500F
LAV. 460	35-350-40-400F
LAV. 463	22F
LAV. 464	22R
LAV. 466	11R-11F-S611
LAV. 794	621-623-624-626-631-633-634-636
LAV. 795	651-653-654-655-830-835-810-815
LAV. 799	706-708
LAV. 857	509-511-704

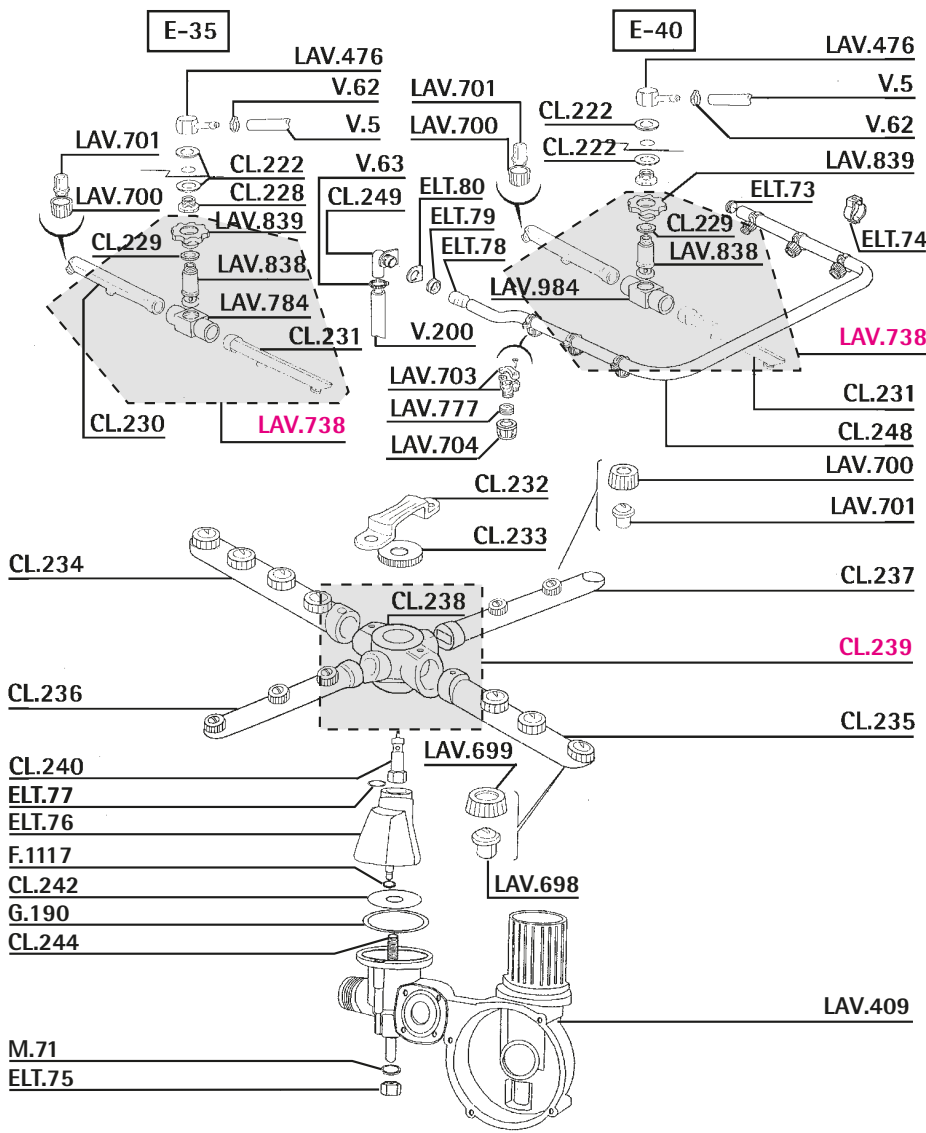
REF.	DESCRIPCIÓN	DESCRIPTION
J...71	TURBINA MOTOR GS-3	GS-3 GS-8 PUMP TURBINE
LAV456	TURBINA 50-500F	50-500F TURBINE
LAV457	TAPA BOMBA 50-500F	50-500F MOTOR LID
LAV458	TORICA BOMBA	PUMP RING
LAV459	TURBINA 35-350F	35-350F TURBINE
LAV460	TAPA BOMB.35-350F/40-400F	35-350F/40-400F MOTOR LID
LAV461	JUNTA TAPA BOMBA	PUMP COVER GASKET
LAV463	TAPA BOMBA 22F/E-60/100	22F MOTOR LID
LAV464	TAPA BOMBA 22R	22R MOTOR LID
LAV466	TAPA BOMBA 11R-11F-S611	11R-11F-S611 MOTOR LID
LAV521	GIRANTE	GYRATORY
LAV524	GIRANTE BOMBA MOD.35	MOD.35 GYRATORY
LAV529	GIRANTE MOD.11F-11R-S611	S-611 11F-11R GYRATORY
LAV794	CUERPO BOMBA	PUMP BODY
LAV795	CUERPO BOMBA	PUMP BODY
LAV799	CUERPO BOMBA	PUMP BODY
LAV857	TAPA BOMBA 509-511-704	509/511/704 MOTOR LID
LAV862	GIRANTE	GYRATORY
LAV863	GIRANTE S-651	S-651 GYRATORY
LAV864	GIRANTE 810-815-835	810-815-835 GYRATORY
LAV865	TORICA TAPA BOMBA GOMA	PUMP COVER RUBBER RING
LAV866	TORICA TAPA BOMBA GOMA	PUMP COVER RUBBER RING
LAV867	JUNTA TAPA BOMBA GOMA	PUMP COVER RUBBER GASKET
LAV868	TORICA TAPA BOMBA GOMA	PUMP COVER RUBBER RING
LAV869	TORICA TAPA BOMBA GOMA	PUMP COVER RUBBER RING
LAV870	RETEN EJE MOTOR	MECHANICAL SEAL
LAV871	RETEN EJE MOTOR	MECHANICAL SEAL
LAV872	RETEN EJE MOTOR	MECHANICAL SEAL

REF.	DESCRIPCIÓN	DESCRIPTION
CL.215	CALDERIN	BOILER
CL.216	SOBRENIVEL	OVERFLOW
CL.217	FILTRO	FILTER
CL.218	BASE FILTRO	FILTER BASE
CL.220	TAPON	CAP
CL.221	TUERCA	NUT
CL.222	TORICA	RING
CL.223	TAPON PLASTICO	PLASTIC LID
CL.225	RACOR	FITTING
CL.299	DOSIFICADOR HIDRAULICO	HIDRAULIC DOSIMETER
CL.310	ABRAZADERA 8-12	8-12 CLAMP
ELT.72	RACOR DEPOSITO SAL	FITTING SALT CONTAINER
ELT.154	JUNTA GOMA	GASKET
FA1032	BRIDA	CLASP
H25807	ABRAZADERA 25-40	25-40 CLAMP
LAV404	VALVULA ASPIRACION	SUCTION VALVE
LAV405	BOBINA 220/240V 50HZ	220/240V 50HZ COIL
LAV407	TAPON DEPOSITO SAL	SALT TANK CAP
LAV408	RACOR EMPALME	UNION FITTING
LAV409	CUERPO INFERIOR E35/40	E35/40 LOWER BODY
LAV418	MEMBRANA DOSIFICADOR	DOSIMETER MEMBRANE
LAV444	RACOR 3 VIAS	3 WAYS FITTING
LAV726	JUNTA GOMA BOTELLA SAL	BOTTLE SALT RUBBER GASKET
LAV898	DOSIFICADOR ABRILLANTADOR	RINSE AID DOSIMETER
LAV900	DEPURADOR LAVATAZAS	WASHING CUP PURIFIER
LAV901	DEPOSITO SAL COMPLETO	SALT CONTAINER
P.130	TORICA EPDM	RING
V...5	TUBO GOMA 10X16 20 ATM	20ATM 10X17 RUBBER PIPE
V...62	ABRAZADERA 12-20	12-20 CLAMP
V.132	ELECTROVAL.1 VIA LAV.220V	WASH 1 WAY 220V SOLENOID
V.133	ELECTROVAL.2 VIA LAV.220V	WASH 2 WAYS 220V SOLENOID
V.134	ELECTROVAL.3VIA LAV.220V	WASH 3 WAYS 220V SOLENOID
V.201	TUBO DESAGÜE 28mm. 1,5mt.	28mm. 1.5mt OUTLET PIPE
V.415	TOMA LAVADORA 1,5M	QUALITY 1.5M.INLET W.FLEX
V.448	TUBO PRESOSTATO-METRO 4X6	4X6 PRE.SWITCH INLET PIPE
V.546	JUNTA GOMA 3/4	WATER INLET RUBBER GASKET
V.815	TOMA LAVADORA 2 METROS	2 MT.INLET WATER FLEXIBLE
V.825	TOMA LAVADORA 1.5 «ECO»	«ECO»1.5M INLET WA.FLEXIB
V.848	TOMA LAVADORA 1.5M INOX	INOX 1.5M INLET WATER FL.
V.849	TOMA LAV.INOX 2MT.3/4X3/4	INOX 2MT.INLET WATER FLE.
V.978	FILTRO DOSIFICADOR	DOSIMETER FILTER



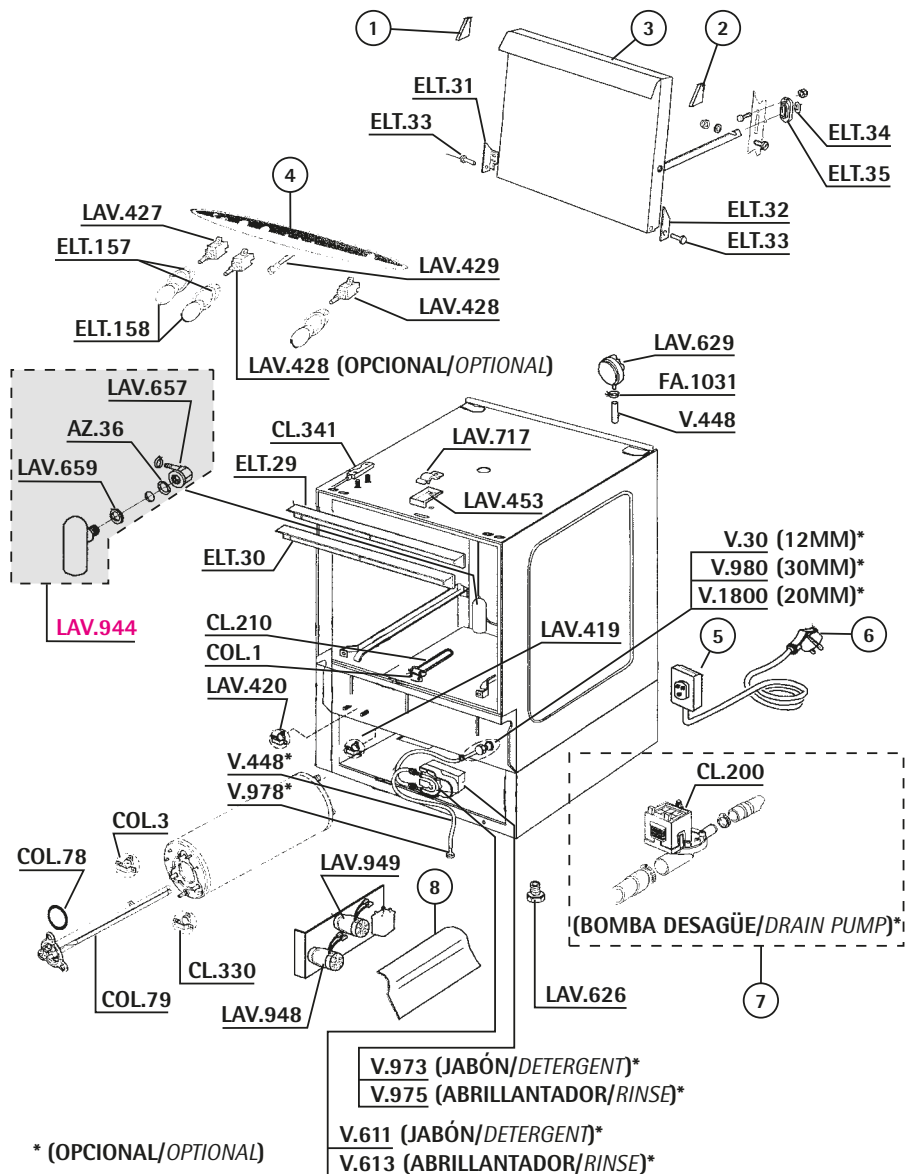
REF.	DESCRIPCIÓN	DESCRIPTION
AZ.36	TORICA GOMA	EPDM RING
CL.200	BOMBA CENTRIFUGA	PUMP
CL.210	RESIST.CUBA 600W 230V	RESISTANCE TANK 600W/230V
CL.215	CALDERIN	BOILER
CL.330	TERMOSTATO FIJO 80°	80° EVAPORATOR THERMOSTAT
CL.341	IMAN	MAGNET
CL.342	FILTRO ANTIPARASITARIO	ANTIPARASITIC FILTER
ELT.23	CANTONERA PUERTA IZQUIERDA	LEFT DOOR CORNERPIECE
ELT.24	CANTONERA PUERTA DERECHA	RIGHT DOOR CORNERPIECE
ELT.25	CANTONERA IZQUIERDA	LEFT CORNERPIECE
ELT.26	CANTONERA DERECHA	RIGHT CORNERPIECE
ELT.27	JUNTA SOPORTE E-35	E-35 SUPPORT GASKET
ELT.28	ESCUADRA JUNTA SOPORTE E-35	E-35 SUPPORT GASKET SQUARE
ELT.29	JUNTA SOPORTE E-40	E-40 SUPPORT GASKET
ELT.30	ESCUADRA JUNTA SOPORTE E-40	E-40 SUPPORT GASKET SQUARE
ELT.31	ESCUADRA PUERTA IZQUIERDA	LEFT DOOR SQUARE
ELT.32	ESCUADRA PUERTA DERECHA	RIGHT DOOR SQUARE
ELT.33	PERNO BISAGRA	HINGE BOLT
ELT.34	PLANCHA ENGANCHE PUERTA	DOOR PLATE
ELT.35	GUIA ENGANCHE PUERTA	DOOR GUIDE
ELT.45	CAMARA PRESOSTATICA	PRESSURE SWITCH CHAMBER
ELT.46	RACOR ENTRADA JABON	INLET SOAP FITTING
FA1032	BRIDA	CLASP
H25807	ABRAZADERA 25-40	25-40 CLAMP
LAV410	PULSANTE AZUL	BLUE PUSH
LAV411	CUERPO PULSANTE L.36	L.36 PUSH BODY
LAV412	PULSANTE START	START PUSH
LAV413	CUERPO PULSANTE START	START PUSH BODY
LAV414	CUERPO PULSANTE L.26	L.26 PUSH BODY
LAV415	EMBELLECEDOR L.26	L.26 LID
LAV416	EMBELLECEDOR L.36	L.36 LID
LAV417	CUERPO PULSANTE L.36	L.36 PUSH BODY
LAV419	TERMOSTATO CUBA 95°	95° TANK THERMOSTAT
LAV420	TERMOSTATO CUBA 60°	60° TANK THERMOSTAT
LAV427	INTERRUPTOR	SWITCH
LAV428	PULSADOR 2 CONTACTOS	2 CONTACTS PUSH-BUTTON
LAV429	PILOTO CON CABLE 6mm	WITCH WIRING LAMP
LAV433	RELE 60.62 240/50HZ	240/50HZ 60.62 RELAY
LAV443	JUNTA RESISTENCIA	RESISTANCE GASKET
LAV453	BASE CIERRE PUERTA	CLOSING DOOR BASE
LAV498	RACOR T	T FITTING
LAV617	RESISTENCIA 2500W 230V	RESISTANCE 2500W 230V
LAV626	PIE MAQUINA	MACHINE FOOT
LAV629	PRESOSTATO SAL.HOR.35/17	35/17 HORIZ.PRESS.SWITCH
LAV657	RACOR CAMPANA	PRESSURE SWITCH FITTING
LAV659	JUNTA GOMA	RUBBER GASKET
LAV717	MUELLE CIERRE	CLOSING SPRING
LAV944	CAMARA PRESOSTATICA	PRES.SWITCH CHAMBER
LAV948	PROGRAMADOR 3 LEVAS 150S	3 TOOTH 150S TIMER
LAV949	PROGRAMADOR REGEN.1MICRO	1TOOTH REGENERACT. TIMER
V...67	ABRAZADERA 16-27	16-27 CLAMP
V...75	DOSIF.PERISTALTICO REGULA	ADJUSTABLE DOSIMETER
V.200	TUBO DESAGÜE 17mm 1,8mt	17mm. 1.8mt OUTLET PIPE
V.201	TUBO DESAGÜE 28mm. 1,5mt.	28mm. 1.5mt OUTLET PIPE
V.448	TUBO PRESOSTATO-METRO 4X6	4X6 PRE.SWITCH INLET PIPE
V.978	FILTRO DOSIFICADOR	DOSIMETER FILTER
V.1428	TERMOSTATO	THERMOSTAT





REF.	DESCRIPCIÓN	DESCRIPTION
CL.222	TORICA	RING
CL.228	TAPON	CAP
CL.229	JUNTA TEFLON	TEFLON GASKET
CL.230	BRAZO ACLARADO IZQUIERDO	LEFT RINSE ARM
CL.231	BRAZO ACLARADO DERECHO	RIGHT RINSE ARM
CL.232	ABRAZADERA PLASTICO	PLASTIC CLAMP
CL.233	TUERCA INOX	INOX NUT
CL.234	BRAZO LAVADO DERECHO	RIGHT WASHING ARM
CL.235	BRAZO LAVADO IZQUIERDO	LEFT WASHING ARM
CL.236	BRAZO ACLARADO DERECHO	RIGHT RINSE ARM
CL.237	BRAZO ACLARADO IZQUIERDO	LEFT RINSE ARM
CL.238	CRUCETA	CROSSHEAD
CL.239	GIRATORIO	GYRATORY
CL.240	EJE GIRATORIO	REVOLVING ARM ROD
CL.242	ARANDELA	WASHER
CL.244	EJE	ROD
CL.248	ARBOL LAVADO C400	C 400 WASHING TREE
CL.249	CODO	ELBOW
ELT.73	TAPON	CAP
ELT.74	BRIDA	CLASP
ELT.75	TUERCA	NUT
ELT.76	CONDUCTO CENTRAL	CENTRAL CONDUIT
ELT.77	JUNTA TEFLON	GASKET
ELT.78	INSERTO	INSERT
ELT.79	TUERCA PLASTICO	NUT
ELT.80	JUNTA	GASKET
F.1117	TORICA GOMA	EPDM RING
G.190	TORICA GOMA	RUBBER RING
LAV409	CUERPO INFERIOR E35/40	E35/40 LOWER BODY
LAV476	RACOR	FITTING
LAV698	RACOR LAVADO	WASHING FITTING
LAV699	TUERCA PLASTICO DE LAVADO	WASHING NUT
LAV700	TUERCA ACLARADO	RINSE NUT
LAV701	TAPON ACLARADO	RINSING CAP
LAV703	SOPORTE RACORD LAVADO	WASHING FITTING SUPPORT
LAV704	RACOR LAVADO	WASHING FITTING
LAV738	ASTA ACLARADO SUPERIOR	UPPER RINSE ARM
LAV777	HELICE LAVADO	WASHING PROPELLER
LAV784	CIERRE PUERTA	CLOSING DOOR
LAV838	EJE COLECTOR ACLARADO	COLLECTOR ROD
LAV839	TUERCA FIJACION PLASTICO	PLASTIC FIXING NUT
LAV984	COLECTOR SUP. ACLARADO	RINSING UPPER COLLECTOR
M...71	TORICA GOMA	EPDM RUBBER RING
V...5	TUBO GOMA 10X16 20 ATM	20ATM 10X17 RUBBER PIPE
V...62	ABRAZADERA 12-20	12-20 CLAMP
V...63	ABRAZADERA 20-32	20-35 CLAMP
V.200	TUBO DESAGÜE 17mm 1,8mt	17mm. 1.8mt OUTLET PIPE

Puerta / Componentes eléctricos E35 / E35H / E40 / E40H 11/2006 ■ E35 / E35H / E40 / E40H 11/2006 Electric components / Door

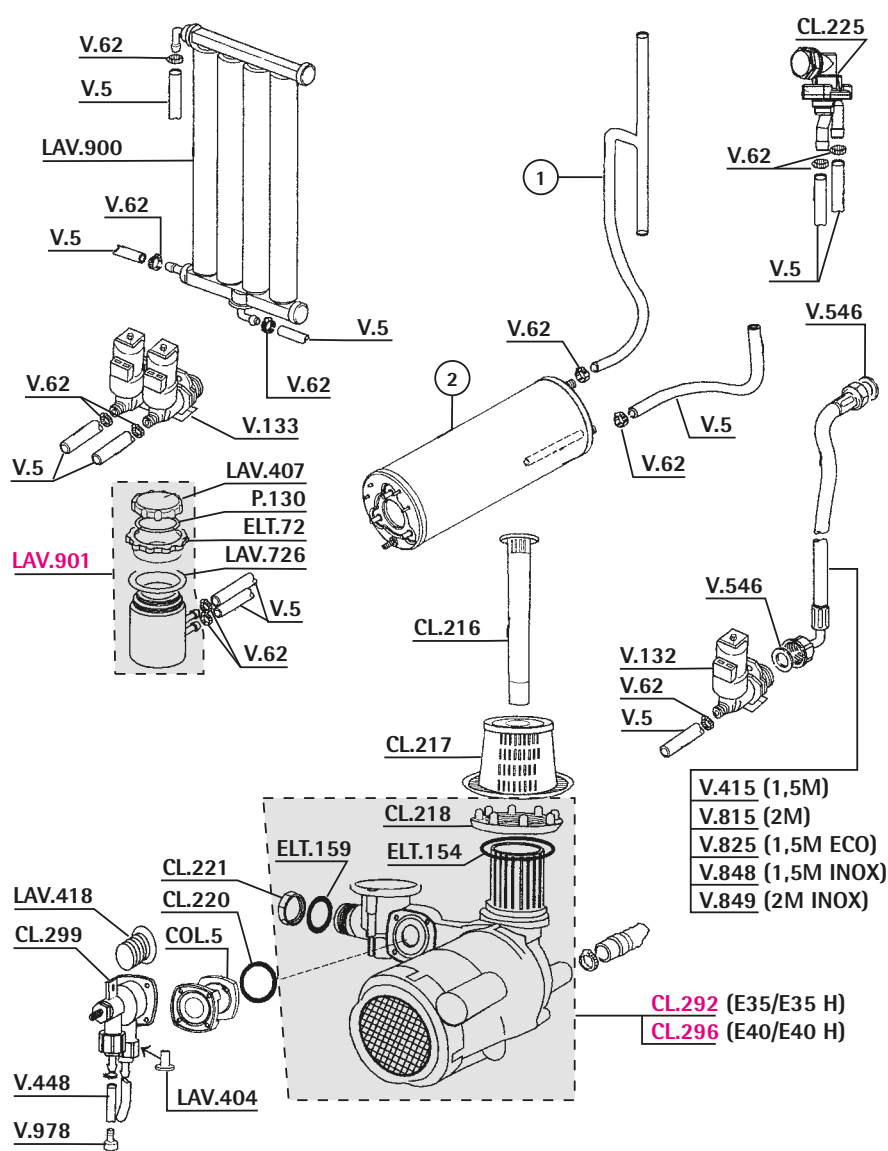


REF.	DESCRIPCIÓN	DESCRIPTION
AZ..36	TORICA GOMA	EPDM RING
CL.200	BOMBA CENTRIFUGA	PUMP
CL.210	RESIST.CUBA 600W 230V	RESISTANCE TANK 600W/230V
CL.330	TERMOSTATO FIJO 80°	80° EVAPORATOR THERMOSTAT
CL.341	IMAN	MAGNET
COL..1	PLETINA RESISTENCIA	RESISTANCE PLATE
COL..3	TERMOSTATO CALDERIN	BOILER THERMOSTATE
COL.78	JUNTA RESISTENCIA	RESISTANCE GASKET
COL.79	RESISTENCIA 2600W 230V	RESIS 2600W 230V
ELT.29	JUNTA SOPORTE E-40	E-40 SUPPORT GASKET
ELT.30	ESCUADRA JUNTA SOPORTE	E-40 SUPPORT GASKET SQUARE
ELT.31	ESCUADRA PUERTA IZQUIERDA	LEFT DOOR SQUARE
ELT.32	ESCUADRA PUERTA DERECHA	RIGHT DOOR SQUARE
ELT.33	PERNO BISAGRA	HINGE BOLT
ELT.34	PLANCHA ENGANCHE PUERTA	DOOR PLATE
ELT.35	GUIA ENGANCHE PUERTA	DOOR GUIDE
ELT157	SOPORTE INTERRUPTOR	SWITCH SUPPORT
ELT158	BOTON SOPORTE INTERRUPTOR	SWITCH SUPPORT BUTTON
FA1031	ABRAZADERA INOX 8-16	8-16 INOX CLAMP
LAV419	TERMOSTATO CUBA 95°	95° TANK THERMOSTAT
LAV420	TERMOSTATO CUBA 60°	60° TANK THERMOSTAT
LAV427	INTERRUPTOR	SWITCH
LAV428	PULSADOR 2 CONTACTOS	2 CONTACTS PUSH-BUTTON
LAV429	PILOTO CON CABLE 6mm	WITCH WIRING LAMP
LAV453	BASE CIERRE PUERTA	CLOSING DOOR BASE
LAV626	PIE MAQUINA	MACHINE FOOT
LAV629	PRESOSTATO SAL.HOR.35/17	35/17 HORIZ.PRESS.SWITCH
LAV657	RACOR CAMPANA	PRESSURE SWITCH FITTING
LAV659	JUNTA GOMA	RUBBER GASKET
LAV717	MUELLE CIERRE	CLOSING SPRING
LAV944	CAMARA PRESOSTATICA	PRES.SWITCH CHAMBER
LAV948	PROGRAMADOR 3 LEVAS 150S	3 TOOTH 150S TIMER
LAV949	PROGRAMADOR REGEN.1MICRO	1TOOTH REGENERACT. TIMER
V...30	RACOR ENTRADA JABON	INLET SOAP FITTING
V.448	TUBO PRESOSTATO-METRO 4X6	4X6 PRE.SWITCH INLET PIPE
V.611	TUBO INTERIOR DOS.PER. JABON	INLET PIPE
V.613	TUBO INTERIOR DOS.PER.ABRILLAN	RINS.AID INSIDE PIPE
V.973	DOSIFICADOR PERISTALTICO INTER	INTERNAL PERISTALTIC DOS.
V.975	DOSIFICADOR ABRILLANTADOR EXT.	EXTERNAL RINSE DOSIMETER
V.978	FILTRO DOSIFICADOR	DOSIMETER FILTER
V.980	RACOR ENTRADA JABON LARGO	LONG INLET FITTING
V.1800	RACOR ENTRADA JABON METALICO	METALIC DETER.INLET FITTING

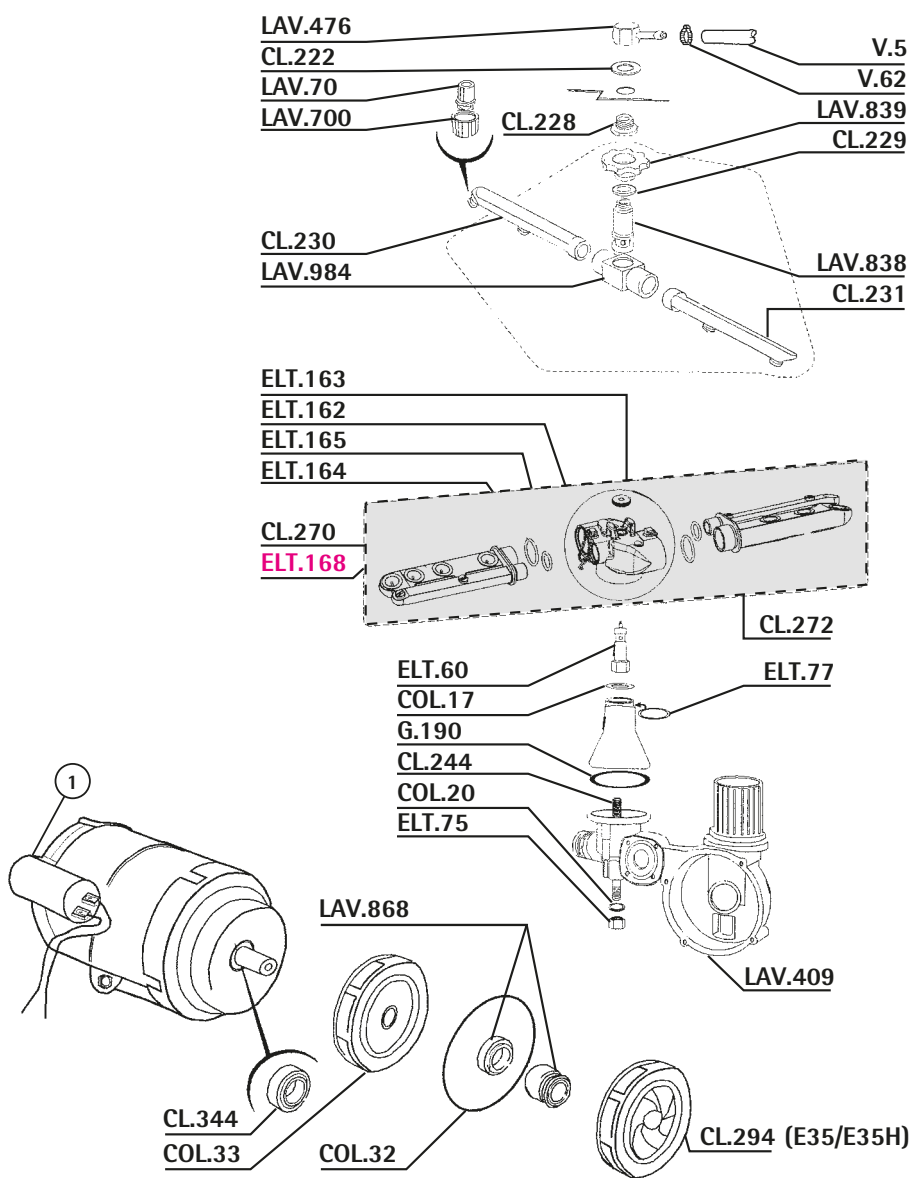
* (OPCIONAL/OPTIONAL)

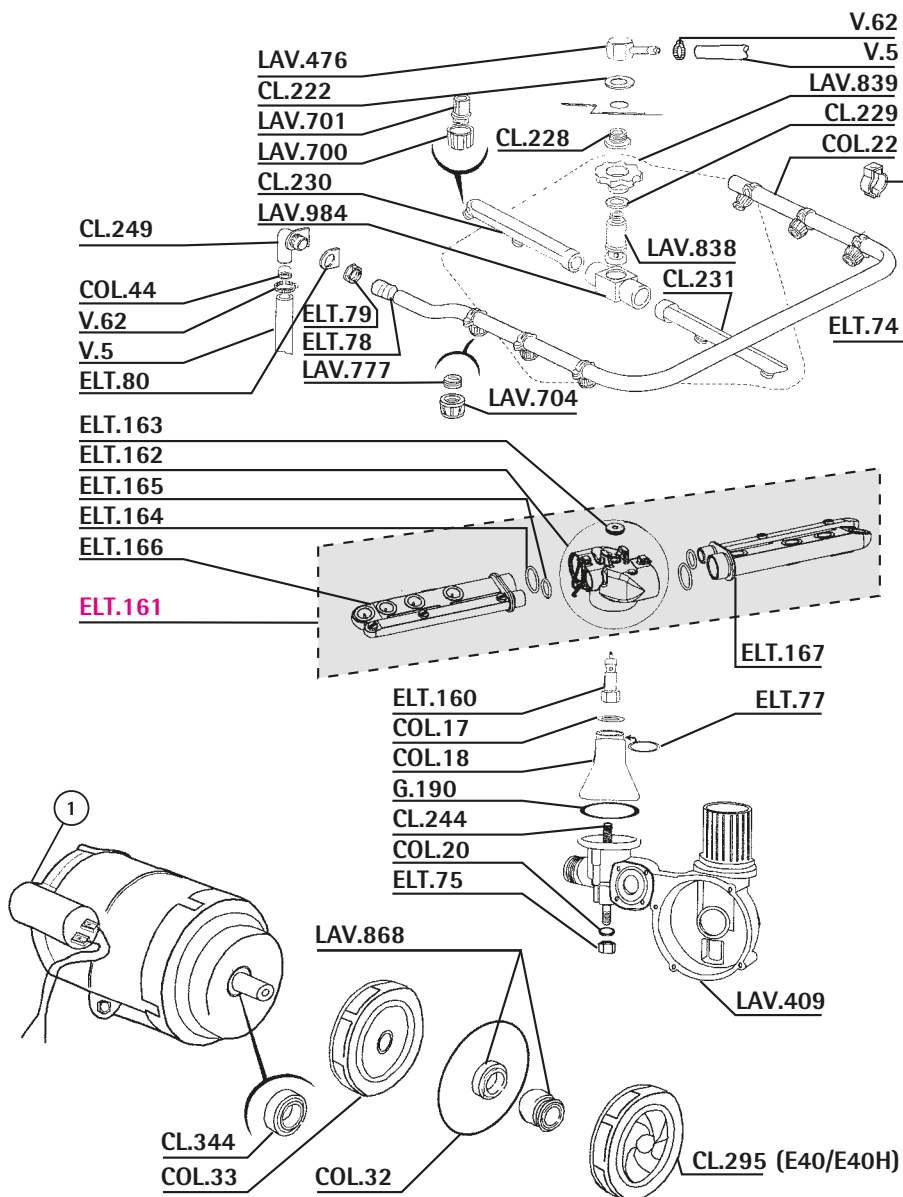
- V.973 (JABÓN/DETERGENT)*
- V.975 (ABRILLANTADOR/RINSE)*
- V.611 (JABÓN/DETERGENT)*
- V.613 (ABRILLANTADOR/RINSE)*

REF.	DESCRIPCIÓN	DESCRIPTION
CL.216	SOBRENIVEL	OVERFLOW
CL.217	FILTRO	FILTER
CL.218	BASE FILTRO	FILTER BASE
CL.220	TAPON	CAP
CL.221	TUERCA	NUT
CL.225	RACOR	FITTING
CL.292	MOTOR C350 0.25HP	C350 0.25HP MOTOR
CL.296	MOTOR C400 0.33HP	C400 0.33HP MOTOR
CL.299	DOSIFICADOR HIDRAULICO	HIDRAULIC DOSIMETER
COL..5	JUNTA	GASKET
ELT.72	RACOR DEPOSITO SAL	FITTING SALT CONTAINER
ELT154	JUNTA GOMA	GASKET
ELT159	JUNTA BOMBA	PUMP GASKET
LAV404	VALVULA ASPIRACION	SUCTION VALVE
LAV407	TAPON DEPOSITO SAL	SALT TANK CAP
LAV418	MEMBRANA DOSIFICADOR	DOSIMETER MEMBRANE
LAV726	JUNTA GOMA BOTELLA SAL	BOTTLE SALT RUBBER GASKET
LAV900	DEPURADOR LAVATAZAS	WASHING CUP PURIFIER
LAV901	DEPOSITO SAL COMPLETO	SALT CONTAINER
P.130	TORICA EPDM	RING
V....5	TUBO GOMA 10X16 20 ATM	20ATM 10X17 RUBBER PIPE
V...62	ABRAZADERA 12-20	12-20 CLAMP
V..132	ELECTROVAL.1 VIA LAV.220V	WASH 1 WAY 220V SOLENOID
V..133	ELECTROVAL.2 VIA LAV.220V	WASH 2 WAYS 220V SOLENOID
V..415	TOMA LAVADORA 1,5M	QUALITY 1.5M.INLET W.FLEX
V..448	TUBO PRESOSTATO-METRO 4X6	4X6 PRE.SWITCH INLET PIPE
V..546	JUNTA GOMA 3/4	WATER INLET RUBBER GASKET
V..815	TOMA LAVADORA 2 METROS	2 MT.INLET WATER FLEXIBLE
V..825	TOMA LAVADORA 1.5 «ECO»	«ECO»1.5M INLET WA.FLEXIB
V..848	TOMA LAVADORA 1.5M INOX	INOX 1.5M INLET WATER FL.
V..849	TOMA LAV.INOX 2MT.3/4X3/4	INOX 2MT.INLET WATER FLE.
V..978	FILTRO DOSIFICADOR	DOSIMETER FILTER



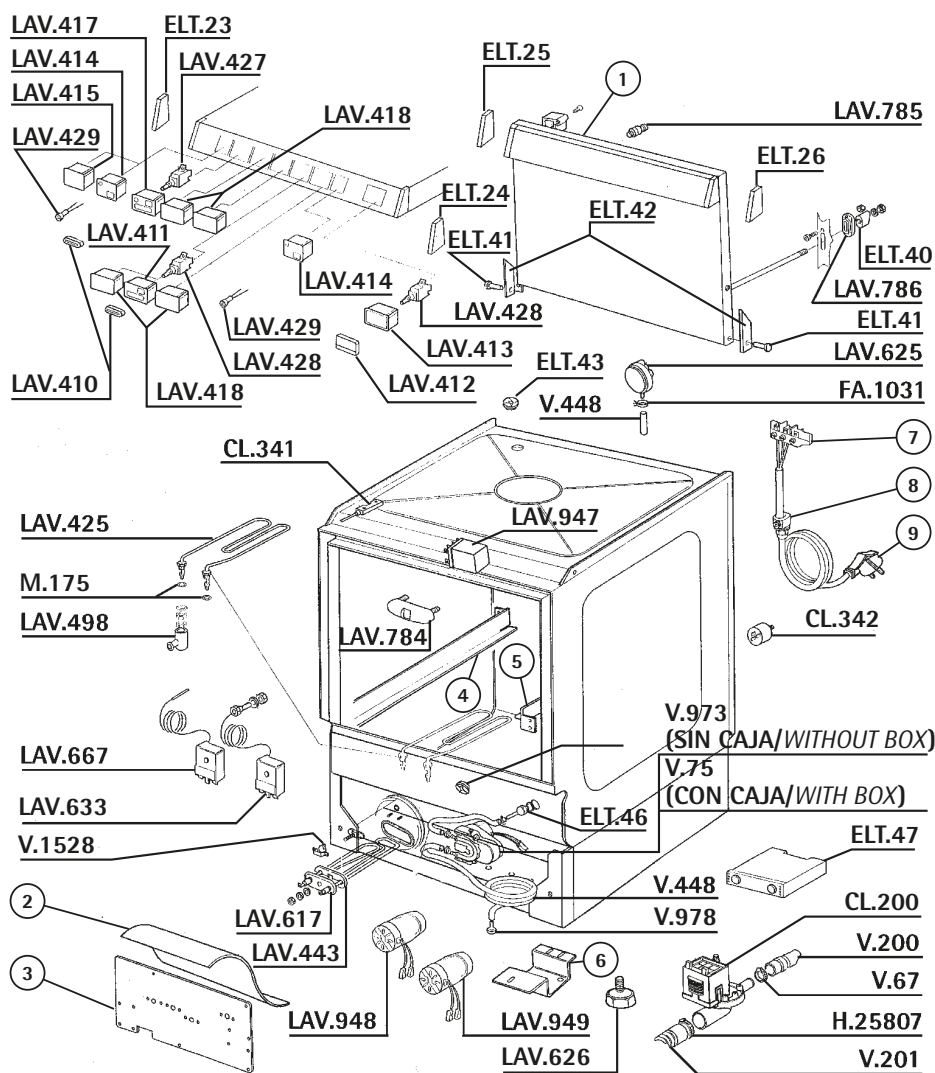
REF.	DESCRIPCIÓN	DESCRIPTION
CL.222	TORICA	RING
CL.228	TAPON	CAP
CL.229	JUNTA TEFLON	TEFLON GASKET
CL.230	BRAZO ACLARADO IZQUIERDO	LEFT RINSE ARM
CL.231	BRAZO ACLARADO DERECHO	RIGHT RINSE ARM
CL.244	EJE	ROD
CL.270	BRAZO ACLARADO DERECHO	RIGHT RINSE ARM
CL.272	BRAZO LAVADO DERECHO	RIGHT WASHING ARM
CL.294	GIRANTE C350	C350 GYRATORY
CL.295	GIRANTE C400	C400 GYRATORY
CL.344	COJINETE C350/400	C350/400 BALL BEARING
COL.17	JUNTA COLECTOR INFERIOR	LOWER COLLECTOR GASKET
COL.20	JUNTA	GASKET
COL.32	JUNTA TAPA MOTOR	MOTOR LID GASKET
COL.33	TURBINA	TURBINE
ELT.60	BOMBA DESAGÜE 230V/100W	230V/100W OUTLET PUMP
ELT.75	TUERCA	NUT
ELT.77	JUNTA TEFLON	GASKET
ELT162	UNION GIRATORIO	GIRATORY ADAPTOR
ELT163	ARANDELA	WASHER
ELT164	JUNTA	GASKET
ELT165	JUNTA	GASKET
ELT168	GIRATORIO LAVADO E35 - E35H	E35 - E35H WASHING GIRATORY
G..190	TORICA GOMA	RUBBER RING
LAV.70	JUNTA GOMA	RUBBER GASKET
LAV409	CUERPO INFERIOR E35/40	E35/40 LOWER BODY
LAV476	RACOR	FITTING
LAV700	TUERCA ACLARADO	RINSE NUT
LAV838	EJE COLECTOR ACLARADO	COLLECTOR ROD
LAV839	TUERCA FIJACION PLASTICO	PLASTIC FIXING NUT
LAV868	TORICA TAPA BOMBA GOMA	PUMP COVER RUBBER RING
LAV984	COLECTOR SUP. ACLARADO	RINSING UPPER COLLECTOR
V....5	TUBO GOMA 10X16 20 ATM	20ATM 10X17 RUBBER PIPE
V...62	ABRAZADERA 12-20	12-20 CLAMP





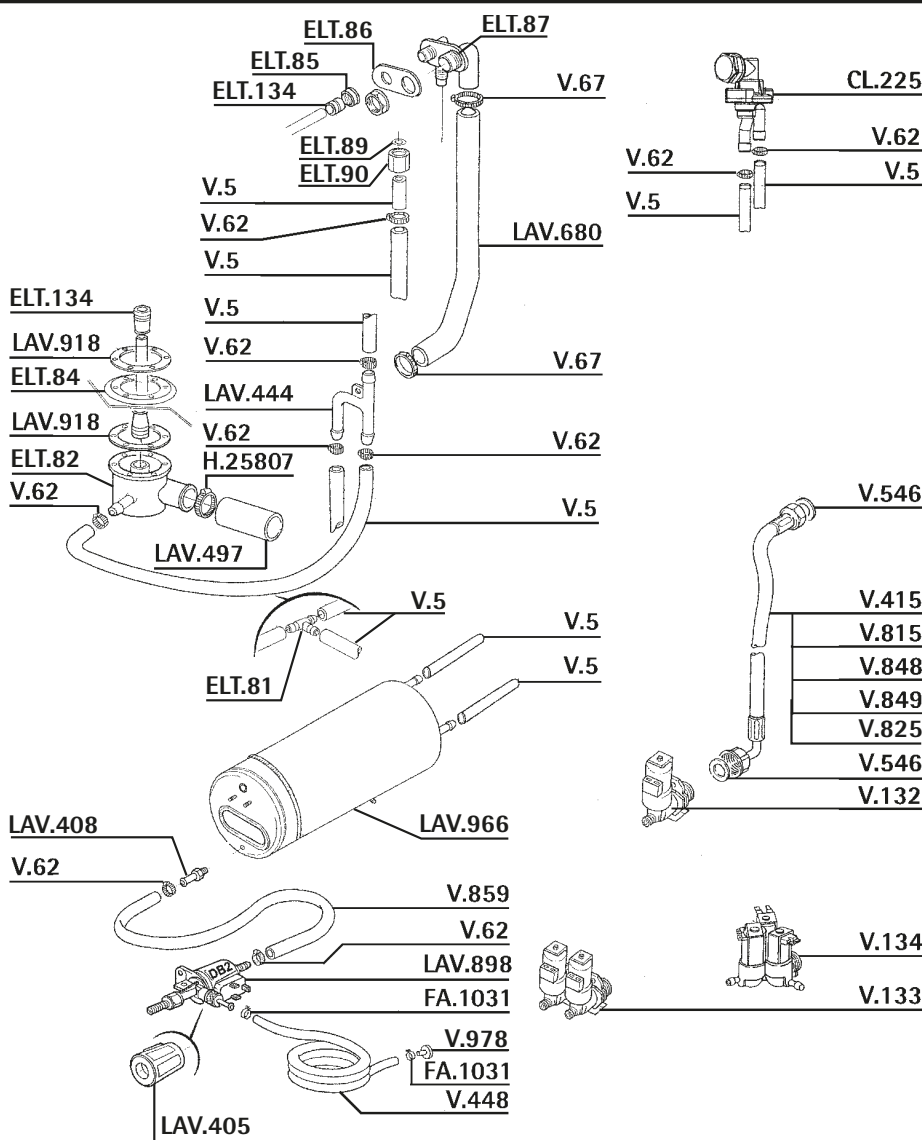
REF.	DESCRIPCIÓN	DESCRIPTION
CL.222	TORICA	RING
CL.228	TAPON	CAP
CL.229	JUNTA TEFLON	TEFLON GASKET
CL.230	BRAZO ACLARADO IZQUIERDO	LEFT RINSE ARM
CL.231	BRAZO ACLARADO DERECHO	RIGHT RINSE ARM
CL.244	EJE	ROD
CL.249	CODO	ELBOW
CL.295	GIRANTE C400	C400 GYRATORY
CL.344	COJINETE C350/400	C350/400 BALL BEARING
COL.17	JUNTA COLECTOR INFERIOR	LOWER COLLECTOR GASKET
COL.18	COLECTOR INFERIOR	LOWER COLLECTOR
COL.20	JUNTA	GASKET
COL.22	ASTA ACLARADO	RINSE ARM
COL.32	JUNTA TAPA MOTOR	MOTOR LID GASKET
COL.33	TURBINA	TURBINE
COL.44	CASQUILLO	CAP
ELT.74	BRIDA	CLASP
ELT.75	TUERCA	NUT
ELT.77	JUNTA TEFLON	GASKET
ELT.78	INSERTO	INSERT
ELT.79	TUERCA PLASTICO	NUT
ELT.80	JUNTA	GASKET
ELT.160	EJE GIRATORIO	GIRATORY ROD
ELT.161	GIRATORIO LAVADO E40 - E40H	E40 - E40H WASHING GIRATORY
ELT.162	UNION GIRATORIO	GIRATORY ADAPTOR
ELT.163	ARANDELA	WASHER
ELT.164	JUNTA	GASKET
ELT.165	JUNTA	GASKET
ELT.166	BRAZO LAVADO IZQUIERDO	LEFT WASHING ARM
ELT.167	BRAZO LAVADO DERECHO	RIGHT WASHING ARM
G..190	TORICA GOMA	RUBBER RING
LAV.409	CUERPO INFERIOR E35/40	E35/40 LOWER BODY
LAV.476	RACOR	FITTING
LAV.700	TUERCA ACLARADO	RINSE NUT
LAV.701	TAPON ACLARADO	RINSING CAP
LAV.704	RACOR LAVADO	WASHING FITTING
LAV.738	ASTA ACLARADO SUPERIOR	UPPER RINSE ARM
LAV.777	HELICE LAVADO	WASHING PROPELLER
LAV.838	EJE COLECTOR ACLARADO	COLLECTOR ROD
LAV.839	TUERCA FIJACION PLASTICO	PLASTIC FIXING NUT
LAV.868	TORICA TAPA BOMBA GOMA	PUMP COVER RUBBER RING
LAV.984	COLECTOR SUP. ACLARADO	RINSING UPPER COLLECTOR
V...5	TUBO GOMA 10X16 20 ATM	20ATM 10X17 RUBBER PIPE
V..62	ABRAZADERA 12-20	12-20 CLAMP

Carrocería / Componentes eléctricos E45 ■ E45 Electric components / Bodywork

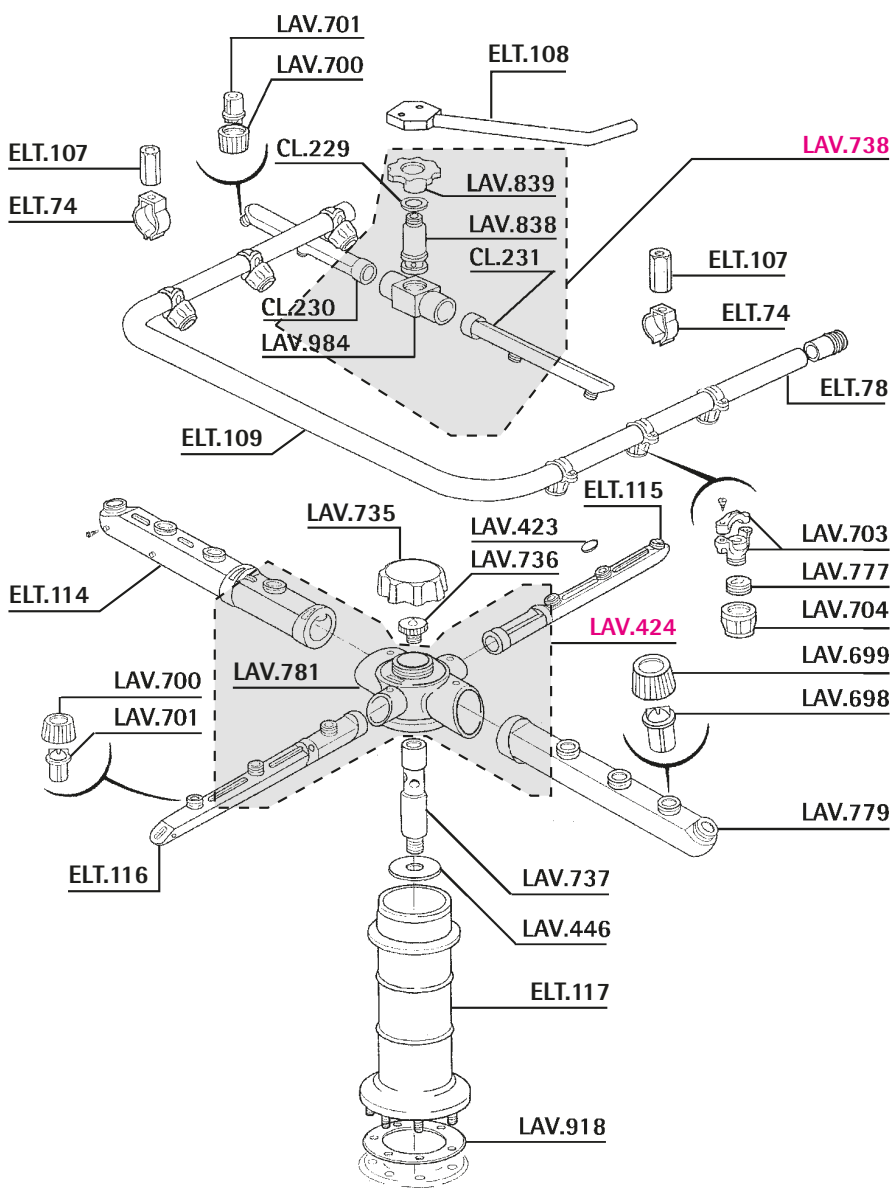


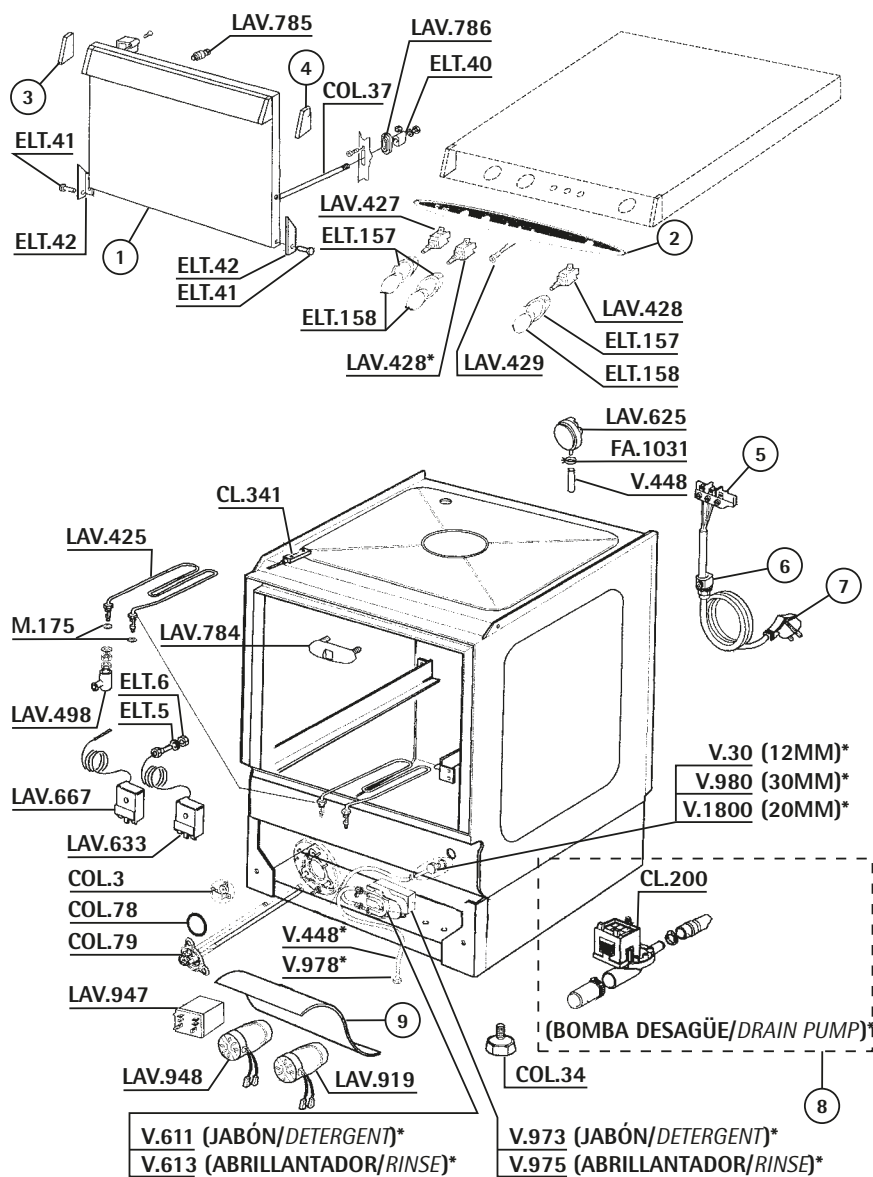
REF.	DESCRIPCIÓN	DESCRIPTION
CL.200	BOMBA CENTRIFUGA	PUMP
CL.341	IMAN	MAGNET
CL.342	FILTRO ANTIPARASITARIO	ANTIPARASITIC FILTER
ELT.23	CANTONERA PUERTA IZQUIERDA	LEFT DOOR CORNERPIECE
ELT.24	CANTONERA PUERTA DERECHA	RIGHT DOOR CORNERPIECE
ELT.25	CANTONERA IZQUIERDA	LEFT CORNERPIECE
ELT.26	CANTONERA DERECHA	RIGHT CORNERPIECE
ELT.40	FIJADOR ENGANCHE PUERTA	DOOR FIXATION
ELT.41	PASADOR ESCUADRA PUERTA	DOOR BOLT
ELT.42	ESCUADRA PUERTA	DOOR SQUARE
ELT.43	TAPON GOMA	RUBBER CAP
ELT.46	RACOR ENTRADA JABON	INLET SOAP FITTING
ELT.47	TEMPORIZADOR ELECTRONICO	ELECTRONIC TIMER
FA1031	ABRAZADERA INOX 8-16	8-16 INOX CLAMP
H25807	ABRAZADERA 25-40	25-40 CLAMP
LAV.410	PULSANTE AZUL	BLUE PUSH
LAV.411	CUERPO PULSANTE L.36	L.36 PUSH BODY
LAV.412	PULSANTE START	START PUSH
LAV.413	CUERPO PULSANTE START	START PUSH BODY
LAV.414	CUERPO PULSANTE L.26	L.26 PUSH BODY
LAV.415	EMBELLECEDOR L.26	L.26 LID
LAV.417	CUERPO PULSANTE L.36	L.36 PUSH BODY
LAV.418	MEMBRANA DOSIFICADOR	DOSIMETER MEMBRANE
LAV.425	RESISTENCIA 2250W-230V	2250W-230V RESISTANCE
LAV.427	INTERRUPTOR	SWITCH
LAV.428	PULSADOR 2 CONTACTOS	2 CONTACTS PUSH-BUTTON
LAV.429	PILOTO CON CABLE 6mm	WITCH WIRING LAMP
LAV.443	JUNTA RESISTENCIA	RESISTANCE GASKET
LAV.498	RACOR T	T FITTING
LAV.617	RESISTENCIA 2500W 230V	RESISTANCE 2500W 230V
LAV.625	PRESOSTATO SAL.HOR.55/35	55/35 HOR.PRESSURE SWITCH
LAV.626	PIE MAQUINA	MACHINE FOOT
LAV.633	TERMOSTATO CUBA ROSCADO	SCREW TANK THERMOSTAT
LAV.667	TERMOSTATO CALDERIN	BOILER THERMOSTAT
LAV.784	CIERRE PUERTA	CLOSING DOOR
LAV.785	PIVOTE CIERRE PUERTA	CLOSING DOOR PIVOT
LAV.786	SOPORTE CIERRE PUERTA 22R	22R CLOSING DOOR SUPPORT
LAV.947	RELE A2-230AC-L	A2-230AC-L RELAY
LAV.948	PROGRAMADOR 3 LEVAS 150S	3 TOOTH 150S TIMER
LAV.949	PROGRAMADOR REGEN.1MICRO	1TOOTH REGENERACT. TIMER
M..175	TORICA GOMA EPDM	RUBBER RING
V..67	ABRAZADERA 16-27	16-27 CLAMP
V..75	DOSIF.PERISTALTICO REGULA	ADJUSTABLE DOSIMETER
V.200	TUBO DESAGÜE 17mm 1,8mt	17mm. 1.8mt OUTLET PIPE
V.201	TUBO DESAGÜE 28mm. 1,5mt.	28mm. 1.5mt OUTLET PIPE
V.448	TUBO PRESOSTATO-METRO 4X6	4X6 PRE.SWITCH INLET PIPE
V.973	DOSIFICADOR PERISTALTICO INTER	INTERNAL PERISTALTIC DOS.
V.978	FILTRO DOSIFICADOR	DOSIMETER FILTER
V.1528	TERM.LISO 110 C SEGURIDAD	110 C SAFETY SMOOTH THERMOSTAT

REF.	DESCRIPCIÓN	DESCRIPTION
CL.225	RACOR	FITTING
ELT.81	RACOR T	T FITTING
ELT.82	COLECTOR	COLECTOR
ELT.84	TUBO ALARADO	RINSE ARM
ELT.85	TUERCA	NUT
ELT.86	JUNTA COLECTOR	COLECTOR GASKET
ELT.87	RACOR EMPALME	UNION FITTING
ELT.89	JUNTA	GASKET
ELT.90	RACOR	FITTING
ELT.134	INSERTO CONDUCTO	CONDUIT INSERT
FA1031	ABRAZADERA INOX 8-16	8-16 INOX CLAMP
H25807	ABRAZADERA 25-40	25-40 CLAMP
LAV405	BOBINA 220/240V 50HZ	220/240V 50HZ COIL
LAV408	RACOR EMPALME	UNION FITTING
LAV444	RACOR 3 VIAS	3 WAYS FITTING
LAV497	MANGUITO	SLEEVE
LAV680	TUBO IMPULSION	IMPULSION PIPE
LAV898	DOSIFICADOR ABRILLANTADOR	RINSE AID DOSIMETER
LAV918	JUNTA COLECTOR INFERIOR GOMA	RUBBER GASKET
LAV966	CALDERIN 35/40	35/40 BOILER
V...5	TUBO GOMA 10X16 20 ATM	20ATM 10X16 RUBBER PIPE
V...62	ABRAZADERA 12-20	12-20 CLAMP
V...67	ABRAZADERA 16-27	16-27 CLAMP
V.132	ELECTROVAL.1 VIA LAV.220V	WASH 1 WAY 220V SOLENOID
V.133	ELECTROVAL.2 VIA LAV.220V	WASH 2 WAYS 220V SOLENOID
V.134	ELECTROVAL.3VIA LAV.220V	WASH 3 WAYS 220V SOLENOID
V.415	TOMA LAVADORA 1,5M	QUALITY 1.5M.INLET W.FLEX
V.448	TUBO PRESOSTATO-METRO 4X6	4X6 PRE.SWITCH INLET PIPE
V.546	JUNTA GOMA 3/4	WATER INLET RUBBER GASKET
V.815	TOMA LAVADORA 2 METROS	2 MT.INLET WATER FLEXIBLE
V.825	TOMA LAVADORA 1.5 «ECO»	«ECO»1.5M INLET WA.FLEXIB
V.848	TOMA LAVADORA 1.5M INOX	INOX 1.5M INLET WATER FL.
V.849	TOMA LAV.INOX 2MT.3/4X3/4	INOX 2MT.INLET WATER FLE.
V.859	TUBO GOMA 6X12mm 20ATM	20 ATM 6X12mm RUBBER PIPE
V.978	FILTRO DOSIFICADOR	DOSIMETER FILTER



REF.	DESCRIPCIÓN	DESCRIPTION
CL.229	JUNTA TEFLON	TEFLON GASKET
CL.230	BRAZO ACLARADO IZQUIERDO	LEFT RINSE ARM
CL.231	BRAZO ACLARADO DERECHO	RIGHT RINSE ARM
ELT.74	BRIDA	CLASP
ELT.78	INSERTO	INSERT
ELT.107	DISTANCIAL	DISTANCER
ELT.108	CONDUCTO ACLARADO	RINSE CONDUIT
ELT.109	ARBOL LAVADO	WASH TREE
ELT.114	BRAZO LAVADO IZQUIERDO	LEFT WASH ARM
ELT.115	BRAZO ACLARADO DERECHO	RIGHT RINCAGE ARM
ELT.116	BRAZO ACLARADO IZQUIERDO	LEFT RINCAGE ARM
ELT.117	CONDUCTO INFERIOR	LOWER CONDUIT
LAV423	TAPON ASTA	ARM CAP
LAV424	ASTA LAVADO-ACLARADO E45	E45 WASH-RINSE ARM
LAV446	ARANDELA EJE 40-400F	40-400F WASHER ROD
LAV698	RACOR LAVADO	WASHING FITTING
LAV699	TUERCA PLASTICO DE LAVADO	WASHING NUT
LAV700	TUERCA ACLARADO	RINSE NUT
LAV701	TAPON ACLARADO	RINSING CAP
LAV703	SOPORTE RACORD LAVADO	WASHING FITTING SUPPORT
LAV704	RACOR LAVADO	WASHING FITTING
LAV735	MANDO FIJACION 40-400F	40-400F FIXATION HANDLE
LAV736	TORNILLO	SCREW
LAV737	EJE COLECTOR CENTRO	COLLECTOR ROD
LAV738	ASTA ACLARADO SUPERIOR	UPPER RINSE ARM
LAV777	HELICE LAVADO	WASHING PROPELLER
LAV779	BRAZO LAVADO	WASHING ARM
LAV781	RACOR CRUZ	FITTING
LAV838	EJE COLECTOR ACLARADO	COLLECTOR ROD
LAV839	TUERCA FIJACION PLASTICO	PLASTIC FIXING NUT
LAV918	JUNTA COLECTOR INFERIOR GOMA	RUBBER GASKET
LAV984	COLECTOR SUP. ACLARADO	RINSING UPPER COLLECTOR





REF.	DESCRIPCIÓN	DESCRIPTION
CL.200	BOMBA CENTRIFUGA	PUMP
CL.341	IMAN	MAGNET
COL.3	TERMOSTATO CALDERIN	BOILER THERMOSTATE
COL.34	PATA	FOOT
COL.37	VARILLA PUERTA	DOOR ROD
COL.78	JUNTA RESISTENCIA	RESISTANCE GASKET
COL.79	RESISTENCIA 2600W 230V	RESIS 2600W 230V
ELT.5	ARANDELA BULBO	BULB WASHER
ELT.6	TUERCA BULBO	BULB NUT
ELT.40	FIJADOR ENGANCHE PUERTA	DOOR FIXATION
ELT.41	PASADOR ESCUADRA PUERTA	DOOR BOLT
ELT.42	ESCUADRA PUERTA	DOOR SQUARE
ELT.157	SOPORTE INTERRUPTOR	SWITCH SUPPORT
ELT.158	BOTON SOPORTE INTERRUPTOR	SWITCH SUPPORT BUTTON
FA1031	ABRAZADERA INOX 8-16	8-16 INOX CLAMP
LAV.425	RESISTENCIA 2250W-230V	2250W-230V RESISTANCE
LAV.427	INTERRUPTOR	SWITCH
LAV.428	PULSADOR 2 CONTACTOS	2 CONTACTS PUSH-BUTTON
LAV.429	PILOTO CON CABLE 6mm	WITCH WIRING LAMP
LAV.498	RACOR T	T FITTING
LAV.625	PRESOSTATO SAL.HOR.55/35	55/35 HOR.PRESSURE SWITCH
LAV.633	TERMOSTATO CUBA ROSCADO	SCREW TANK THERMOSTAT
LAV.667	TERMOSTATO CALDERIN	BOILER THERMOSTAT
LAV.784	CIERRE PUERTA	CLOSING DOOR
LAV.785	PIVOTE CIERRE PUERTA	CLOSING DOOR PIVOT
LAV.786	SOPORTE CIERRE PUERTA 22R	22R CLOSING DOOR SUPPORT
LAV.919	MANGUITO ASPIRACION 22R	22R SUCTION SLEEVE
LAV.947	RELE A2-230AC-L	A2-230AC-L RELAY
LAV.948	PROGRAMADOR 3 LEVAS 150S	3 TOOTH 150S TIMER
M.175	TORICA GOMA EPDM	RUBBER RING
V...30	RACOR ENTRADA JABON	INLET SOAP FITTING
V.448	TUBO PRESOSTATO-METRO 4X6	4X6 PRE.SWITCH INLET PIPE
V.448	TUBO PRESOSTATO-METRO 4X6	4X6 PRE.SWITCH INLET PIPE
V.611	TUBO INTERIOR DOS.PER. JABON	INLET PIPE
V.613	TUBO INTERIOR DOS.PER.ABRILLAN	RINS.AID INSIDE PIPE
V.973	DOSIFICADOR PERISTALTICO INTER	INTERNAL PERISTALTIC DOS.
V.975	DOSIFICADOR ABRILLANTADOR EXT.	EXTERNAL RINSE DOSIMETER
V.978	FILTRO DOSIFICADOR	DOSIMETER FILTER
V.980	RACOR ENTRADA JABON LARGO	LONG INLET FITTING
V.1800	RACOR ENTRADA JABON METALICO	METALIC DETER.INLET FITTING

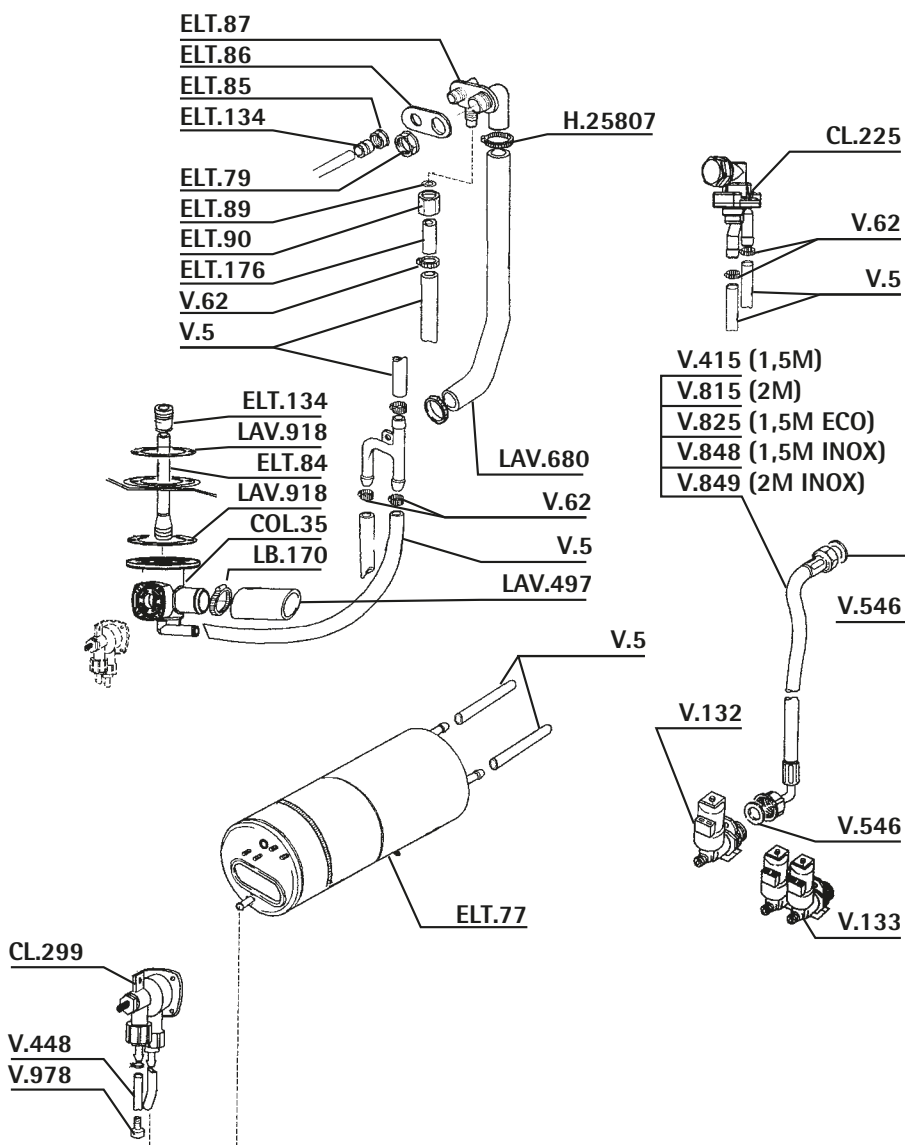
Lavavajillas Dishwashers

ELETTROBAR

Lavavajillas Dishwashers

caso

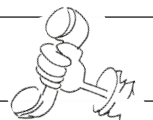
Calderín / Dosificador abrillantador E45 11/2006 ■ E45 11/2006 Rinse aid / Boiler



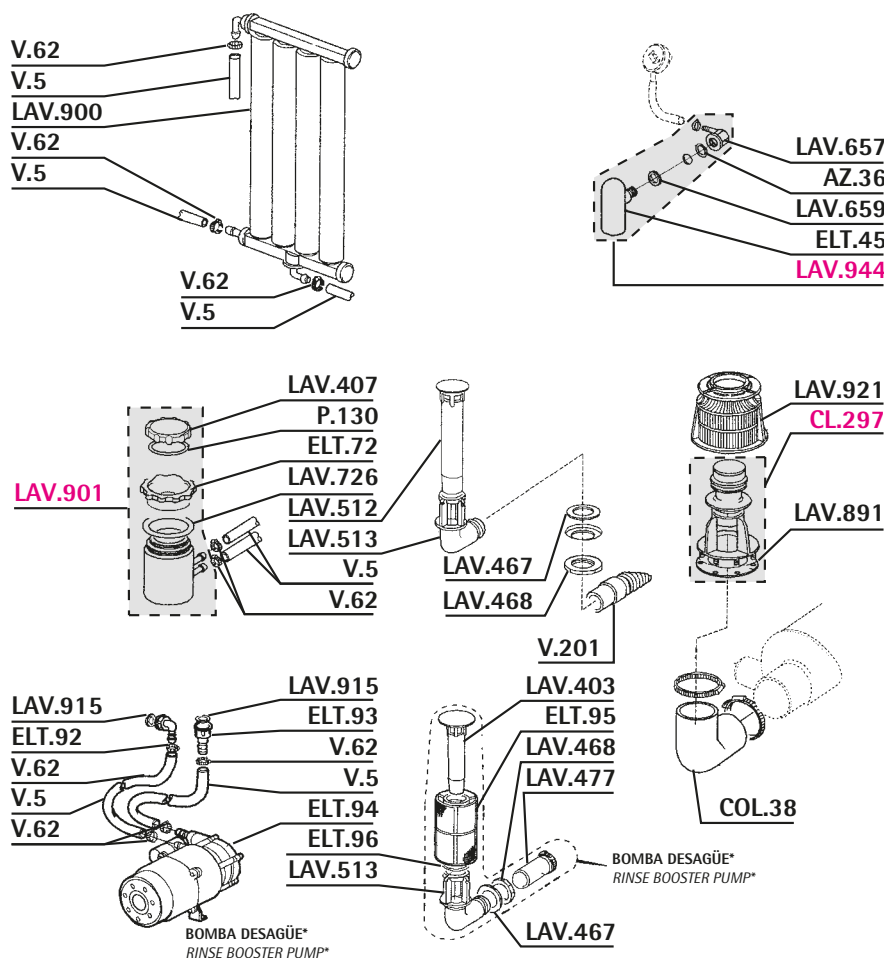
REF.	DESCRIPCIÓN	DESCRIPTION
CL.225	RACOR	FITTING
CL.299	DOSIFICADOR HIDRAULICO	HIDRAULIC DOSIMETER
COL.35	COLECTOR	COLECTOR
ELT.79	TUERCA PLASTICO	NUT
ELT.84	TUBO ALARADO	RINSE ARM
ELT.85	TUERCA	NUT
ELT.86	JUNTA COLECTOR	COLECTOR GASKET
ELT.87	RACOR EMPALME	UNION FITTING
ELT.89	JUNTA	GASKET
ELT.90	RACOR	FITTING
ELT.134	INSERTO CONDUCTO	CONDUIT INSERT
ELT.176	TUBO	PIPE
ELT.177	CALDERIN E45	E45 BOILER
H25807	ABRAZADERA 25-40	25-40 CLAMP
LAV.497	MANGUITO	SLEEVE
LAV.680	TUBO IMPULSION	IMPULSION PIPE
LAV.918	JUNTA COLECTOR INFERIOR GOMA	RUBBER GASKET
LB.170	ABRAZADERA 40-60	40-60 CLAMP
V...5	TUBO GOMA 10X16 20 ATM	20ATM 10X16 RUBBER PIPE
V...62	ABRAZADERA 12-20	12-20 CLAMP
V.132	ELECTROVAL.1 VIA LAV.220V	WASH 1 WAY 220V SOLENOID
V.133	ELECTROVAL.2 VIA LAV.220V	WASH 2 WAYS 220V SOLENOID
V.415	TOMA LAVADORA 1.5M	QUALITY 1.5M.INLET W.FLEX
V.448	TUBO PRESOSTATO-METRO 4X6	4X6 PRE.SWITCH INLET PIPE
V.546	JUNTA GOMA 3/4	WATER INLET RUBBER GASKET
V.815	TOMA LAVADORA 2 METROS	2 MT.INLET WATER FLEXIBLE
V.825	TOMA LAVADORA 1.5 «ECO»	«ECO» 1.5M INLET WA.FLEXIB
V.848	TOMA LAVADORA 1.5M INOX	INOX 1.5M INLET WATER FL.
V.849	TOMA LAV.INOX 2MT.3/4X3/4	INOX 2MT.INLET WATER FLE.
V.978	FILTRO DOSIFICADOR	DOSIMETER FILTER

Los artículos con círculo son bajo pedido. CONSÚLTENOS.

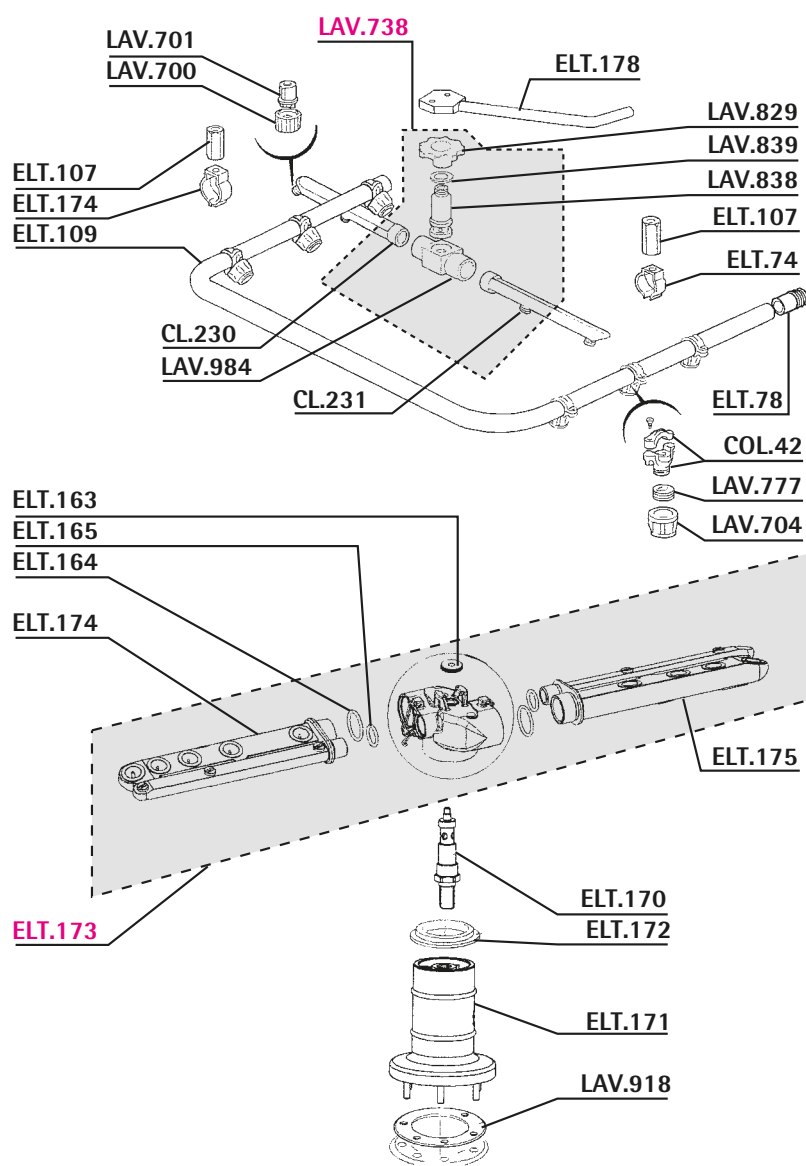
① ② ③ ...

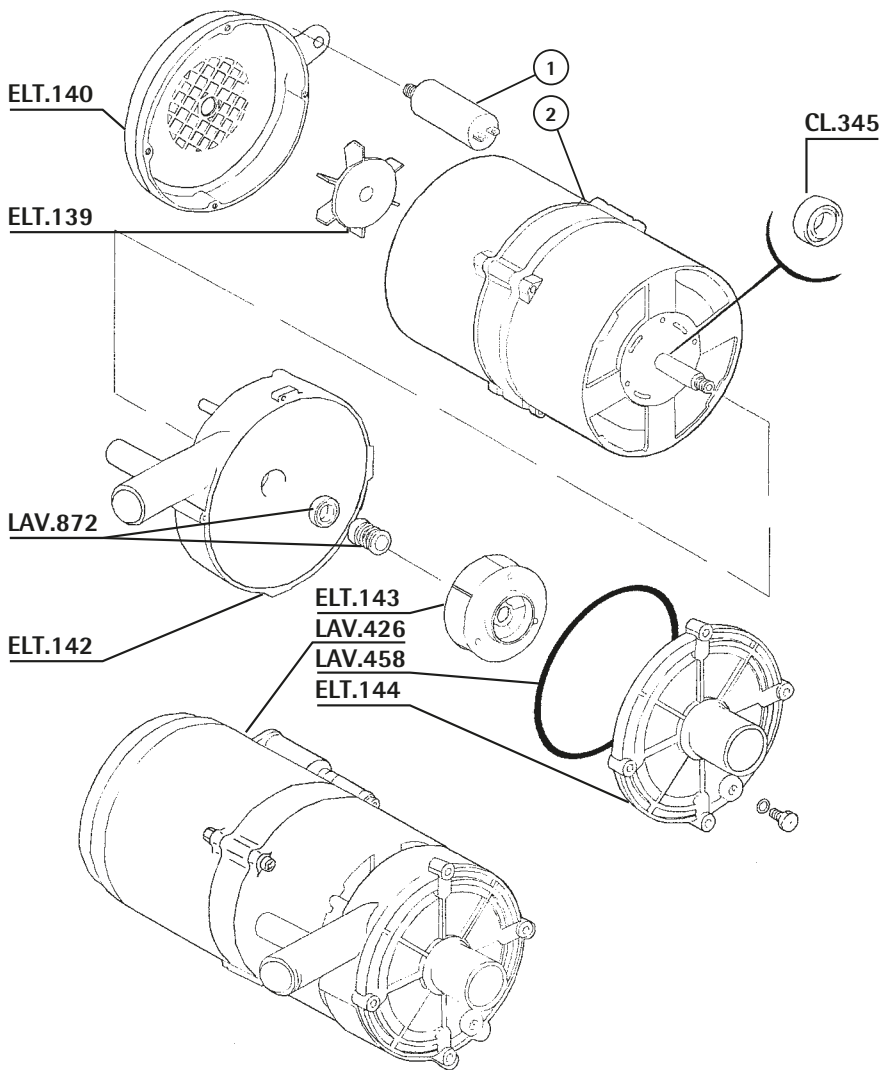


REF.	DESCRIPCIÓN	DESCRIPTION
AZ...36	TORICA GOMA	EPDM RING
CL.297	BASE FILTRO	FILTER BASE
COL.38	CODO	ELBOW
ELT.45	CAMARA PRESOSTATICA	PRESSURE SWITCH CHAMBER
ELT.72	RACOR DEPOSITO SAL	FITTING SALT CONTAINER
ELT.92	RACOR CODO	ELBOW PIPE
ELT.93	TUERCA 3/4	3/4 FITTING
ELT.94	BOMBA AUMENTO PRESION	PRESSURE PUMP
ELT.95	FILTRO	FILTER
ELT.96	ARO FILTRO	FILTER GASKET
LAV403	SOBRENIVEL	OVERFLOW
LAV407	TAPON DEPOSITO SAL	SALT TANK CAP
LAV467	JUNTA GOMA	RUBBER GASKET
LAV468	TUERCA	NUT
LAV477	MANGUITO	SLEEVE
LAV512	TAPON DESAGÜE 50R-F	50R-F INLET CAP
LAV513	CURVA DESCARGA	OUTLET ELBOW
LAV657	RACOR CAMPANA	PRESSURE SWITCH FITTING
LAV659	JUNTA GOMA	RUBBER GASKET
LAV726	JUNTA GOMA BOTELLA SAL	BOTTLE SALT RUBBER GASKET
LAV891	JUNTA FILTRO BOMBA GOMA	FILTER PUMP RUBBER GASKET
LAV900	DEPURADOR LAVATAZAS	WASHING CUP PURIFIER
LAV901	DEPOSITO SAL COMPLETO	SALT CONTAINER
LAV915	JUNTA CALDERIN ALIMENTAR.	BOILER ALIMENTARY GASKET
LAV921	FILTRO BOMBA	PUMP FILTER
LAV944	CAMARA PRESOSTATICA	PRES.SWITCH CHAMBER
P.130	TORICA EPDM	RING
V....5	TUBO GOMA 10X16 20 ATM	20ATM 10X17 RUBBER PIPE
V...62	ABRAZADERA 12-20	12-20 CLAMP
V..201	TUBO DESAGÜE 28mm. 1,5mt.	28mm. 1.5mt OUTLET PIPE



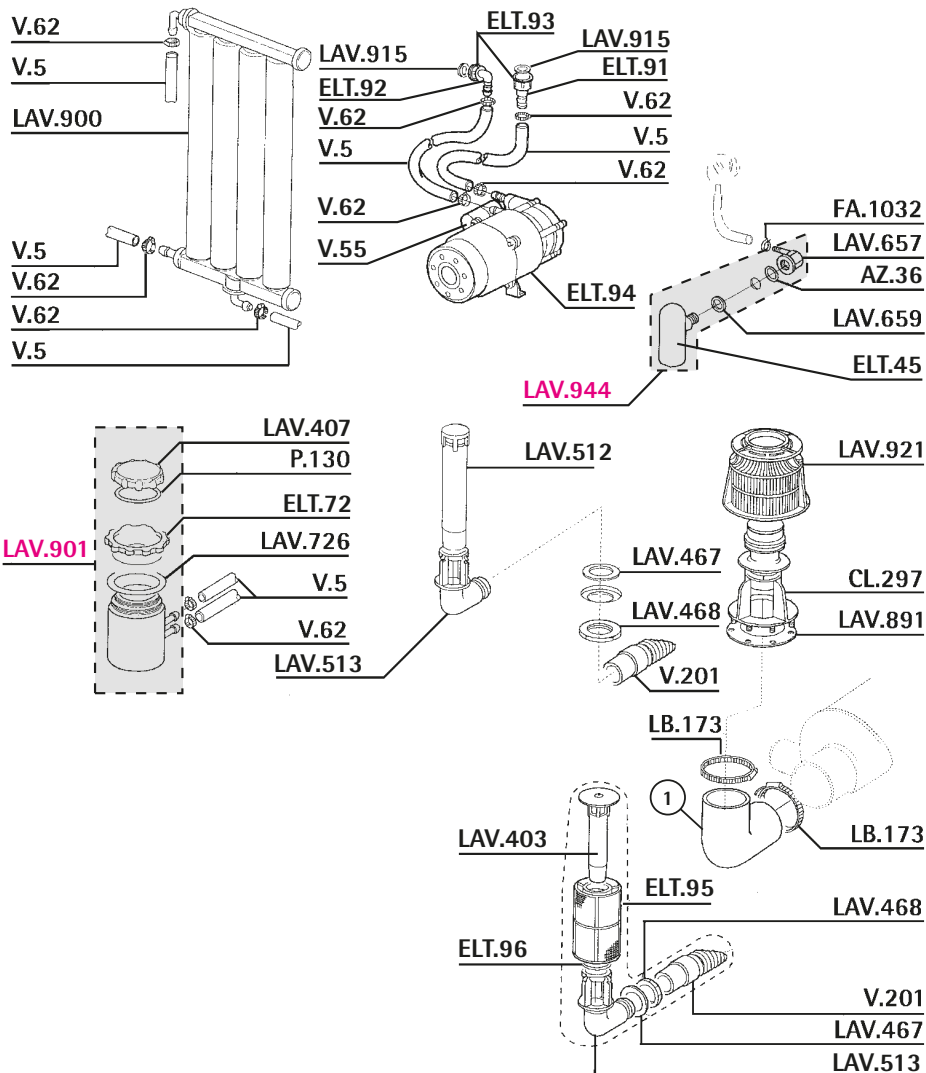
REF.	DESCRIPCIÓN	DESCRIPTION
CL.230	BRAZO ACLARADO IZQUIERDO	LEFT RINSE ARM
CL.231	BRAZO ACLARADO DERECHO	RIGHT RINSE ARM
COL.42	SOPORTE ROCIADOR	SPRAY SUPPORT
ELT.74	BRIDA	CLASP
ELT.78	INSERTO	INSERT
ELT.107	DISTANCIAL	DISTANCER
ELT.109	ARBOL LAVADO	WASH TREE
ELT.163	ARANDELA	WASHER
ELT.164	JUNTA	GASKET
ELT.165	JUNTA	GASKET
ELT.170	EJE GIRATORIO	GIRATORY ROD
ELT.171	COLECTOR INFERIOR	LOWER COLECTOR
ELT.172	JUNTA COLECTOR	COLECTOR GASKET
ELT.173	GIRATORIO LAVADO E45	E45 WASHING GIRATORY
ELT.174	BRAZO GIRATORIO IZQUIERDO	LEFT GIRATORY ARM
ELT.175	BRAZO GIRATORIO DERECHO	RIGHT GIRATORY ARM
ELT.178	TUBO ACLARADO	RINSE PIPE
LAV700	TUERCA ACLARADO	RINSE NUT
LAV701	TAPON ACLARADO	RINSING CAP
LAV704	RACOR LAVADO	WASHING FITTING
LAV738	ASTA ACLARADO SUPERIOR	UPPER RINSE ARM
LAV777	HELICE LAVADO	WASHING PROPELLER
LAV829	PIE MAQUINA	MACHINE FOOT
LAV838	EJE COLECTOR ACLARADO	COLLECTOR ROD
LAV839	TUERCA FIJACION PLASTICO	PLASTIC FIXING NUT
LAV918	JUNTA COLECTOR INFERIOR GOMA	RUBBER GASKET
LAV984	COLECTOR SUP. ACLARADO	RINSING UPPER COLLECTOR





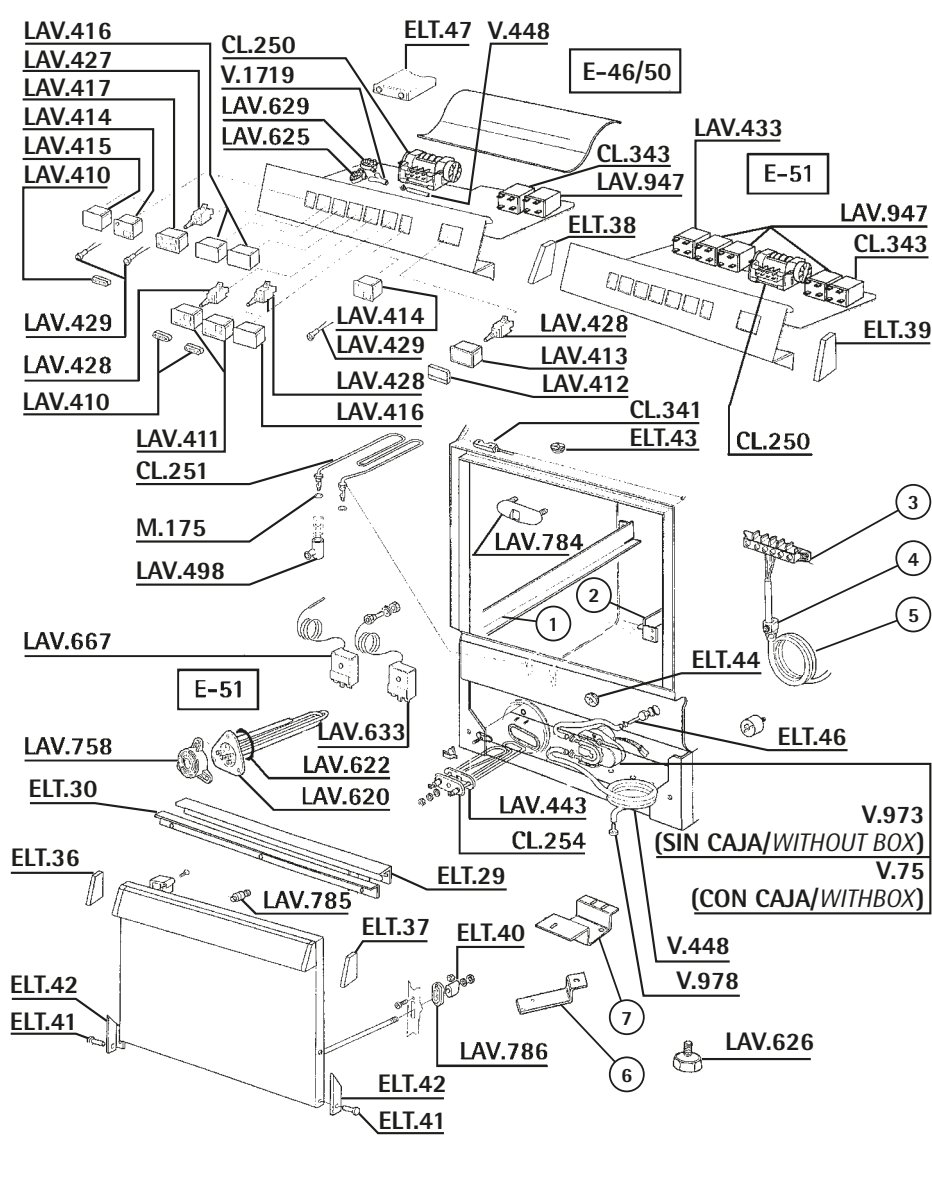
REF.	DESCRIPCIÓN	DESCRIPTION
CL.345	COJINETE	BALL BEARING
ELT139	ASPA VENTILACION	VENTILATION REEL
ELT140	TAPA ASPA BOMBA	PUMP REEL LID
ELT142	BASE CABEZAL E-45 T.90	E-45 T.90 HEAD BASE
ELT143	GIRANTE BOMBA E-45 T.90	E-45 T.90 PUMP GIRATORY
ELT144	CUERPO BOMBA E-45 T.90	E-45 T.90 POMPE BODY
LAV426	MOTOR E-45 0.45HP	0.45HP E-45 MOTOR
LAV458	TORICA BOMBA	PUMP RING
LAV872	RETEN EJE MOTOR	MECHANICAL SEAL

Varios E45 / 46 / 50 / 51 ■ E45 / 46 / 50 / 51 Variuos

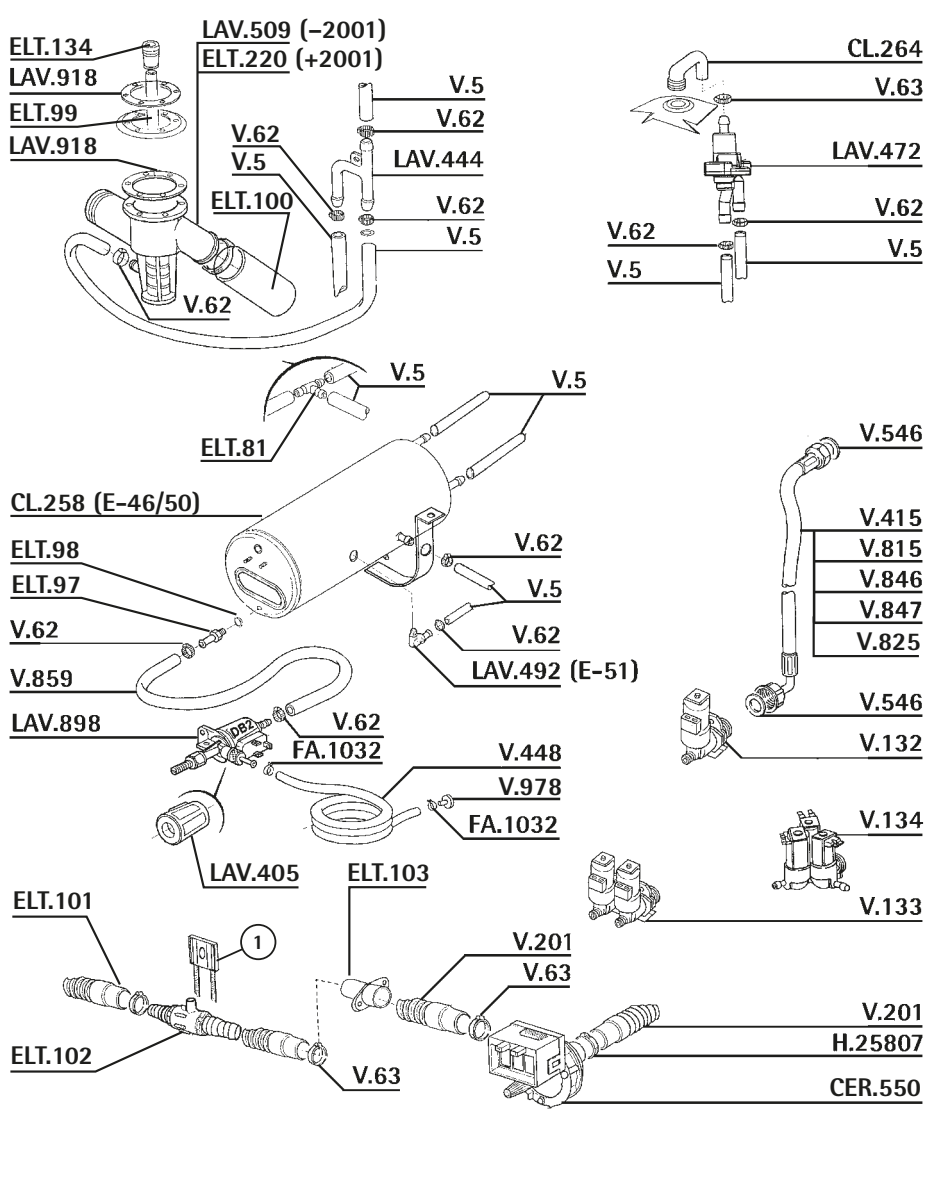


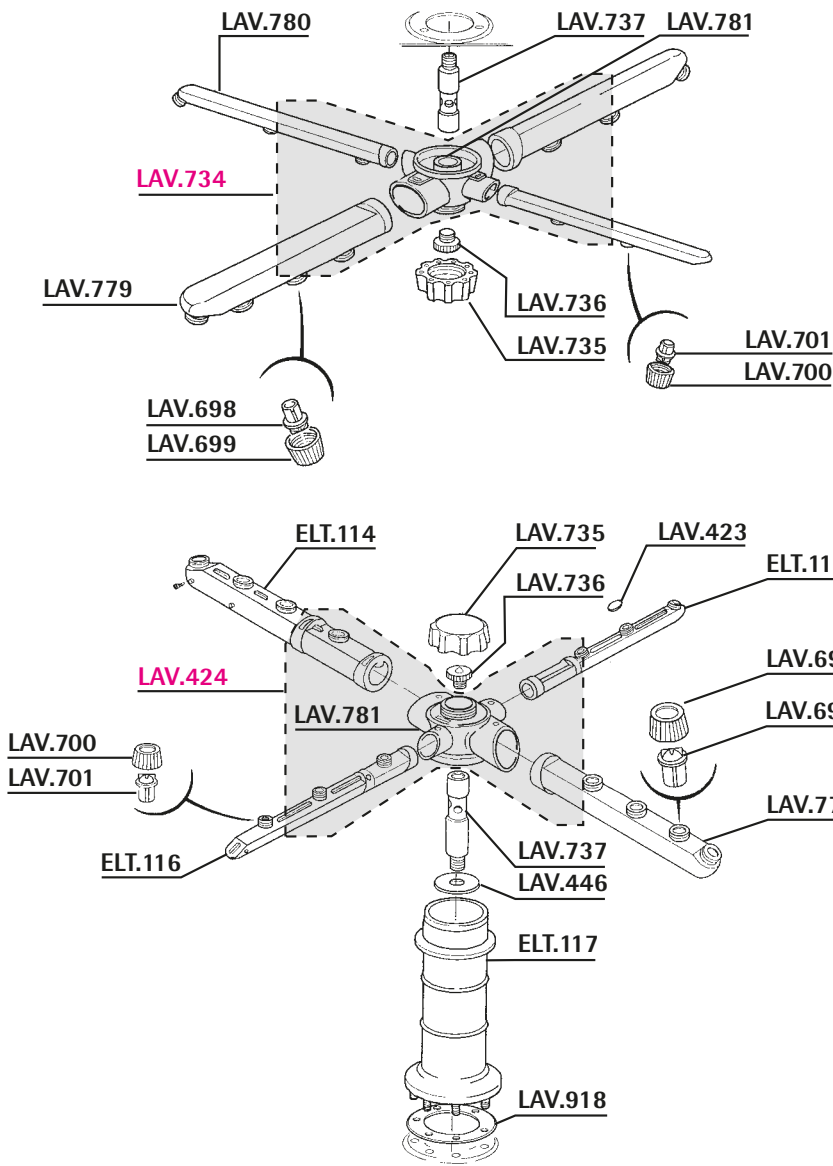
REF.	DESCRIPCIÓN	DESCRIPTION
AZ..36	TORICA GOMA	EPDM RING
CL.297	BASE FILTRO	FILTER BASE
ELT.45	CAMARA PRESOSTATICA	PRESSURE SWITCH CHAMBER
ELT.72	RACOR DEPOSITO SAL	FITTING SALT CONTAINER
ELT.91	RACOR RECTO	STRAIGHT FITTING
ELT.92	RACOR CODO	ELBOW FITTING
ELT.93	TUERCA 3/4	3/4 FITTING
ELT.94	BOMBA AUMENTO PRESION	PRESSURE PUMP
ELT.95	FILTRO	FILTER
ELT.96	ARO FILTRO	FILTER GASKET
FA1032	BRIDA	CLASP
LAV403	SOBRENIVEL	OVERFLOW
LAV407	TAPON DEPOSITO SAL	SALT TANK CAP
LAV467	JUNTA GOMA	RUBBER GASKET
LAV468	TUERCA	NUT
LAV512	TAPON DESAGÜE 50R-F	50R-F INLET CAP
LAV513	CURVA DESCARGA	OUTLET ELBOW
LAV657	RACOR CAMPANA	PRESSURE SWITCH FITTING
LAV659	JUNTA GOMA	RUBBER GASKET
LAV726	JUNTA GOMA BOTELLA SAL	BOTTLE SALT RUBBER GASKET
LAV891	JUNTA FILTRO BOMBA GOMA	FILTER PUMP RUBBER GASKET
LAV900	DEPURADOR LAVATAZAS	WASHING CUP PURIFIER
LAV901	DEPOSITO SAL COMPLETO	SALT CONTAINER
LAV915	JUNTA CALDERIN ALIMENTAR.	BOILER ALIMENTARY GASKET
LAV921	FILTRO BOMBA	PUMP FILTER
LAV944	CAMARA PRESOSTATICA	PRES.SWITCH CHAMBER
LB.173	ABRAZADERA 60-80	60-80 CLAMP
P.130	TORICA EPDM	RING
V...5	TUBO GOMA 10X16 20 ATM	20ATM 10X17 RUBBER PIPE
V...55	CONDENSADOR 10 MF 220V	220V 10MF.CONDENSER
V..62	ABRAZADERA 12-20	12-20 CLAMP
V..201	TUBO DESAGÜE 28mm. 1,5mt.	28mm. 1.5mt OUTLET PIPE

REF.	DESCRIPCIÓN	DESCRIPTION
CL.250	PROGRAMADOR	TIMER
CL.251	RESISTENCIA 3000W 230V	RESISTANCE 3000W 230V
CL.254	RESISTENCIA 3000W 230V	2900W 230V RESISTANCE
CL.341	IMAN	MAGNET
CL.343	RELE FINDER 60.63 10A 250V	10A 250V FINDER 60.63 RELAY
ELT.29	JUNTA SOPORTE E-40	E-40 SUPPORT GASKET
ELT.30	ESCUADRA JUNTA SOPORTE	E-40 SUPPORT GASKET SQUARE
ELT.36	CANTONERA PUERTA IZDA.E50/51	E50/51 LEFT DOOR CORNERPIECE
ELT.37	CANTONERA PUERTA DCHA.E50/51	E50/51 RIGHT DOOR CORNERPIECE
ELT.38	CANTONERA IZQUIERDA E50/51	E50/51 LEFT CORNERPIECE
ELT.39	CANTONERA DERECHA E50/51	E50/51 RIGHT CORNERPIECE
ELT.40	FIJADOR ENGANCHE PUERTA	DOOR FIXATION
ELT.41	PASADOR ESCUADRA PUERTA	DOOR BOLT
ELT.42	ESCUADRA PUERTA	DOOR SQUARE
ELT.43	TAPON GOMA	RUBBER CAP
ELT.44	TAPON GOMA	RUBBER CAP
ELT.46	RACOR ENTRADA JABON	INLET SOAP FITTING
ELT.47	TEMPORIZADOR ELECTRONICO	ELECTRONIC TIMER
LAV.410	PULSANTE AZUL	BLUE PUSH
LAV.411	CUERPO PULSANTE L.36	L.36 PUSH BODY
LAV.412	PULSANTE START	START PUSH
LAV.413	CUERPO PULSANTE START	START PUSH BODY
LAV.414	CUERPO PULSANTE L.26	L.26 PUSH BODY
LAV.415	EMBELLECEDOR L.26	L.26 LID
LAV.416	EMBELLECEDOR L.36	L.36 LID
LAV.417	CUERPO PULSANTE L.36	L.36 PUSH BODY
LAV.427	INTERRUPTOR	SWITCH
LAV.428	PULSADOR 2 CONTACTOS	2 CONTACTS PUSH-BUTTON
LAV.429	PILOTO CON CABLE 6mm	WITCH WIRING LAMP
LAV.433	RELE 60.62 240/50HZ	240/50HZ 60.62 RELAY
LAV.443	JUNTA RESISTENCIA	RESISTANCE GASKET
LAV.448	RACOR T	T FITTING
LAV.498	RESISTENCIA CALDER. 4500W 230V	BOILER RESISTANCE 4500W 230V
LAV.620	TORICA RESISTENCIA GOMA	RESISTANCE RUBBER RING
LAV.622	PRESOSTATO SAL.HOR.55/35	55/35 HOR.PRESSURE SWITCH
LAV.625	PIE MAQUINA	MACHINE FOOT
LAV.626	PRESOSTATO SAL.HOR.35/17	35/17 HORIZ.PRESS.SWITCH
LAV.629	TERMOSTATO CUBA ROSCADO	SCREW TANK THERMOSTAT
LAV.633	TERMOSTATO CALDERIN	BOILER THERMOSTAT
LAV.667	PROTECTOR RESISTENCIA	RESISTANCE PROTECTOR
LAV.758	CIERRE PUERTA	CLOSING DOOR
ELT.30	PIVOTE CIERRE PUERTA	CLOSING DOOR PIVOT
ELT.36	SOPORTE CIERRE PUERTA 22R	22R CLOSING DOOR SUPPORT
ELT.41	RELE A2-230AC-L	A2-230AC-L RELAY
M..175	RUBBER RING	RUBBER RING
V..75	ADJUSTABLE DOSIMETER	ADJUSTABLE DOSIMETER
V..448	4X6 PRE.SWITCH INLET PIPE	4X6 PRE.SWITCH INLET PIPE
V..973	INTERNAL PERISTALTIC DOS.	INTERNAL PERISTALTIC DOS.
V..978	DOSIMETER FILTER	DOSIMETER FILTER
V.1719	RACOR PRESOSTATO Y	Y PRESSURE SWITCH FITTING



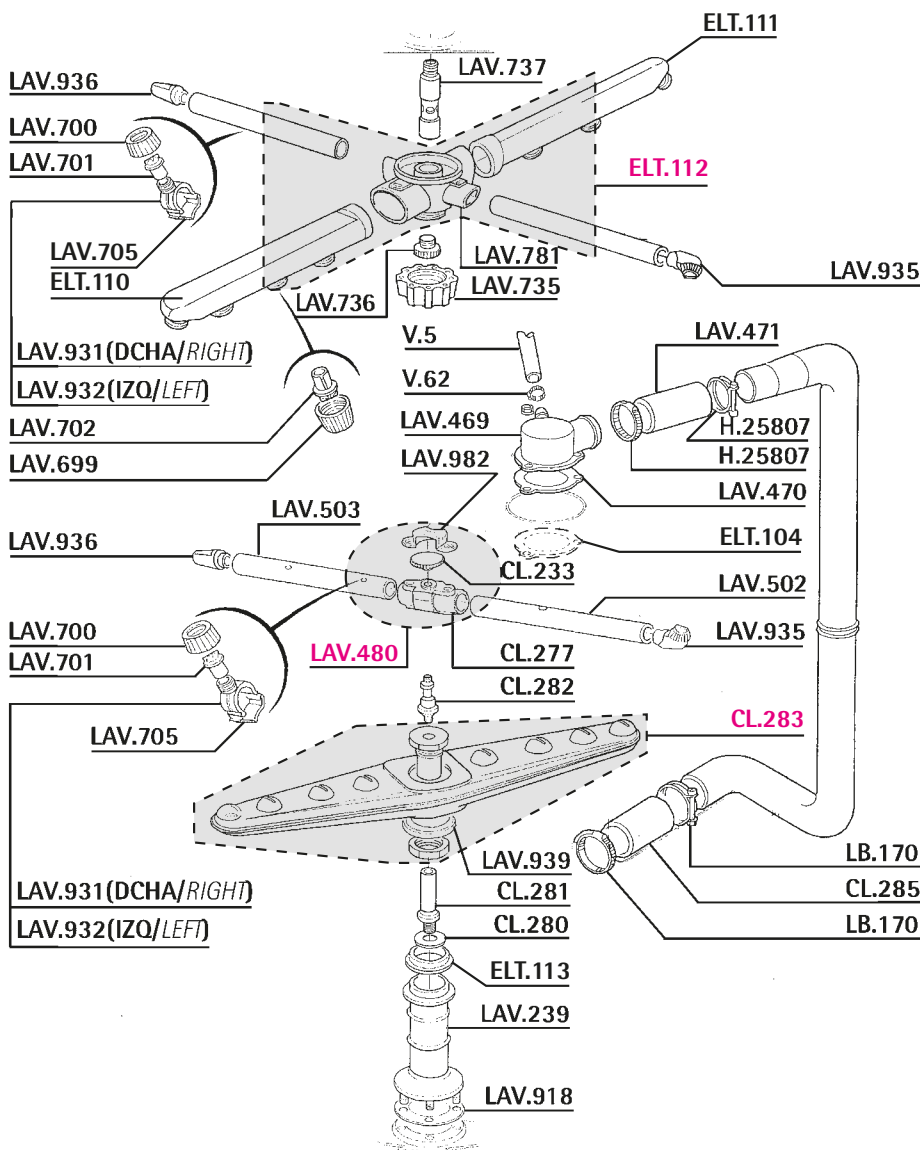
REF.	DESCRIPCIÓN	DESCRIPTION
CER550	BOMBA DESAGÜE 40W	40W OUTLET PUMP
CL.258	CALDERIN	BOILER
CL.264	CODO	ELBOW
ELT.81	RACOR T	T FITTING
ELT.97	RACOR ENTRADA ABRILLANTADOR	RINSE AID INLET FITTING
ELT.98	JUNTA	GASKET
ELT.99	TUBO ACLARADO	RINSE PIPE
ELT.100	MANGUITO	SLEEVE
ELT.101	TUBO DESAGÜE	OUTLET PIPE
ELT.102	VALVULA DESAGÜE	OUTLET VALVE
ELT.103	RACOR DESAGÜE	OUTLET FITTING
ELT.134	INSERTO CONDUCTO	CONDUIT INSERT
ELT.220	COLECTOR +2001	COLLECTOR +2001
FA1032	BRIDA	CLASP
H25807	ABRAZADERA 25-40	25-40 CLAMP
LAV.405	BOBINA 220/240V 50HZ	220/240V 50HZ COIL
LAV.444	RACOR 3 VIAS	3 WAYS FITTING
LAV.472	UNION TUBO	PIPE JUNCTION
LAV.492	CODO	ELBOW
LAV.509	COLECTOR INFERIOR	LOWER COLLECTOR
LAV.898	DOSIFICADOR ABRILLANTADOR	RINSE AID DOSIMETER
LAV.918	JUNTA COLECTOR INFERIOR GOMA	RUBBER GASKET
V....5	TUBO GOMA 10X16 20 ATM	20ATM 10X17 RUBBER PIPE
V...62	ABRAZADERA 12-20	12-20 CLAMP
V...63	ABRAZADERA 20-32	20-35 CLAMP
V..132	ELECTROVAL.1 VIA LAV.220V	WASH 1 WAY 220V SOLENOID
V..133	ELECTROVAL.2 VIA LAV.220V	WASH 2 WAYS 220V SOLENOID
V..134	ELECTROVAL.3VIA LAV.220V	WASH 3 WAYS 220V SOLENOID
V..201	TUBO DESAGÜE 28mm. 1,5mt.	28mm. 1.5mt OUTLET PIPE
V..415	TOMA LAVADORA 1,5M	QUALITY 1.5M.INLET W.FLEX
V..448	TUBO PRESOSTATO-METRO 4X6	4X6 PRE.SWITCH INLET PIPE
V..546	JUNTA GOMA 3/4	WATER INLET RUBBER GASKET
V..815	TOMA LAVADORA 2 METROS	2 MT.INLET WATER FLEXIBLE
V..825	TOMA LAVADORA 1.5 «ECO»	«ECO»1.5M INLET WA.FLEXIB
V..846	BOBINA ELECTROV.220/240V	220/240V SOLENOID COIL
V..847	BASE DEPURADOR TAPA ROSCA	NUT PURIFIER BASE
V..859	TUBO GOMA 6X12mm 20ATM	20 ATM 6X12mm RUBBER PIPE
V..978	FILTRO DOSIFICADOR	DOSIMETER FILTER





REF.	DESCRIPCIÓN	DESCRIPTION
ELT.114	BRAZO LAVADO IZQUIERDO	LEFT WASH ARM
ELT.115	BRAZO ACLARADO DERECHO	RIGHT RINSE ARM
ELT.116	BRAZO ACLARADO IZQUIERDO	LEFT RINSE ARM
ELT.117	CONDUCTO INFERIOR	LOWER CONDUIT
LAV.423	TAPON ASTA	ARM CAP
LAV.424	ASTA LAVADO-ACLARADO E45	E45 WASH-RINSE ARM
LAV.446	ARANDELA EJE 40-400F	40-400F WASHER ROD
LAV.698	RACOR LAVADO	WASHING FITTING
LAV.699	TUERCA PLASTICO DE LAVADO	WASHING NUT
LAV.700	TUERCA ACLARADO	RINSE NUT
LAV.701	TAPON ACLARADO	RINSING CAP
LAV.734	CRUZ LAVADO	WASHING CROSSHEAD
LAV.735	MANDO FIJACION 40-400F	40-400F FIXATION HANDLE
LAV.736	TORNILLO	SCREW
LAV.737	EJE COLECTOR CENTRO	COLLECTOR ROD
LAV.779	BRAZO LAVADO	WASHING ARM
LAV.780	BRAZO ACLARADO	RINSE ARM
LAV.781	RACOR CRUZ	FITTING
LAV.918	JUNTA COLECTOR INFERIOR GOMA	RUBBER GASKET

Lavado / Aclarado E50 / 51 ■ E50 / 51 Rinse / Wash



REF.	DESCRIPCIÓN	DESCRIPTION
CL.233	TUERCA INOX	INOX NUT
CL.277	UNION	JUNCTION
CL.280	ARANDELA	WASHER
CL.281	EJE	ROD
CL.282	RACOR	FITTING
CL.283	GIRANTE LAVADO	WASHING GYRATORY
CL.285	MANGUITO INFERIOR	LOWER SLEEVE
ELT.104	JUNTA	GASKET
ELT.110	BRAZO LAVADO DERECHO	RIGHT WASH ARM
ELT.111	BRAZO LAVADO IZQUIERDO	LEFT WASH ARM
ELT.112	CRUZ LAVADO	WASH CROSSHEAD
ELT.113	DISCO PLASTICO	PLASTIC DISC
H25807	ABRAZADERA 25-40	25-40 CLAMP
LAV.239	RACOR CENTRAL INFERIOR	LOWER CENTRAL FITTING
LAV.469	COLECTOR	COLLECTOR
LAV.470	JUNTA GOMA	RUBBER GASKET
LAV.471	MANGUITO	SLEEVE
LAV.480	GIRATORIO ACLARADO	RINSE GYRATORY
LAV.502	BRAZO ACLARADO 1 SALIDA	1 EXIT RINSE ARM
LAV.503	BRAZO ACLARADO 2 SALIDAS	2 EXIT RINSE ARM
LAV.699	TUERCA PLASTICO DE LAVADO	WASHING NUT
LAV.700	TUERCA ACLARADO	RINSE NUT
LAV.701	TAPON ACLARADO	RINSING CAP
LAV.702	TAPON LAVADO GRANDE	GREAT WASHING CAP
LAV.705	MUELLE FIJA SURTIDOR	SPRING
LAV.735	TUERCA	NUT
LAV.736	TORNILLO	SCREW
LAV.737	EJE COLECTOR CENTRO	COLLECTOR ROD
LAV.781	RACOR CRUZ	FITTING
LAV.918	JUNTA COLECTOR INFERIOR GOMA	RUBBER GASKET
LAV.931	PORTA SURTIDOR GRANDE DCHA	RIGH WATER SPOUT HOLDER
LAV.932	PORTA SURTIDOR GRANDE IZD	LEFT WATER SPOUT HOLDER
LAV.935	TERMINAL BRAZO ACLARADO	RINSE ARM TERMINAL
LAV.936	TERMINAL CIEGO BRAZO ACL.	RINSE ARM TERMINAL
LAV.939	CASQUILLO BRAZO LAV.PEQ.	WASHING PIPE CAP
LAV.982	TAPON COLECTOR 35-350F	35-350F COLLECTOR CAP
LB.170	ABRAZADERA 40-60	40-60 CLAMP
V...5	TUBO GOMA 10X16 20 ATM	20ATM 10X17 RUBBER PIPE
V...62	ABRAZADERA 12-20	12-20 CLAMP

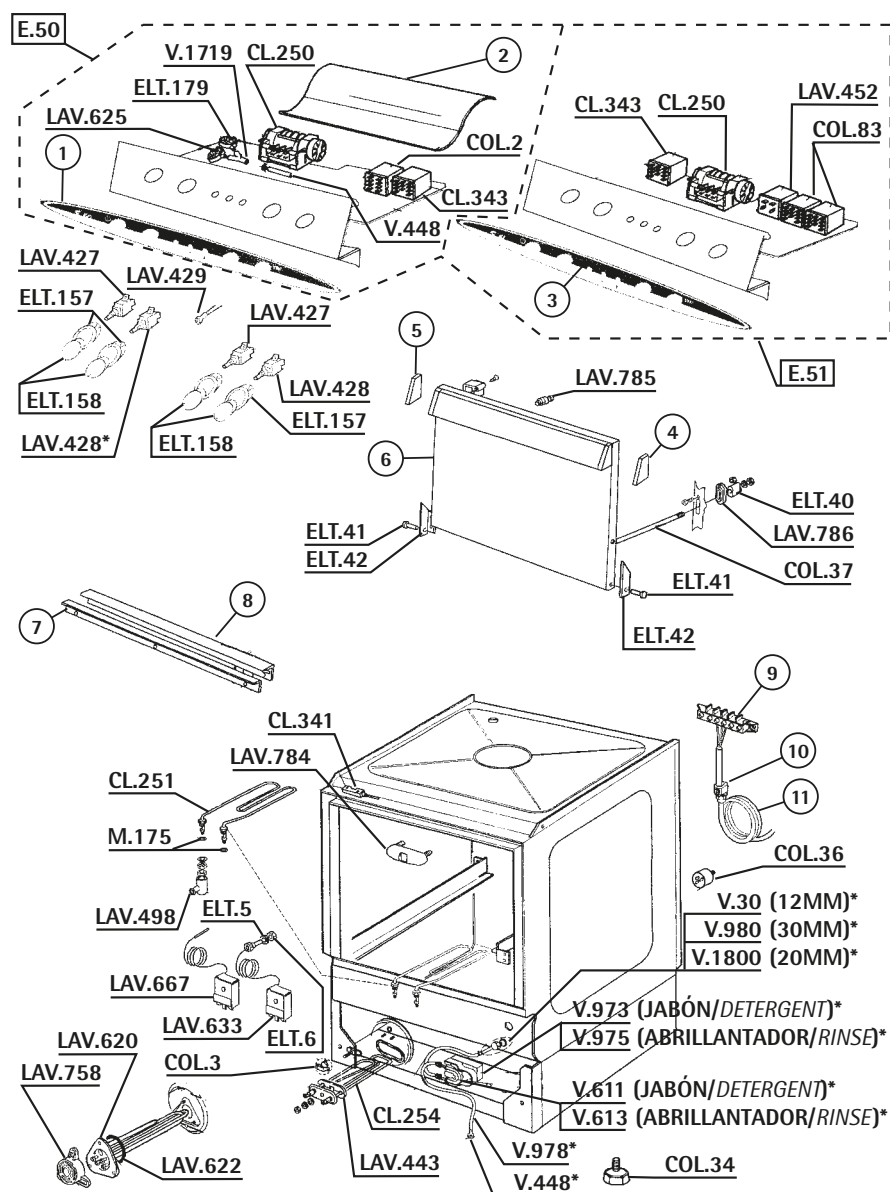
The components with circle are under request.

① ② ③ ...

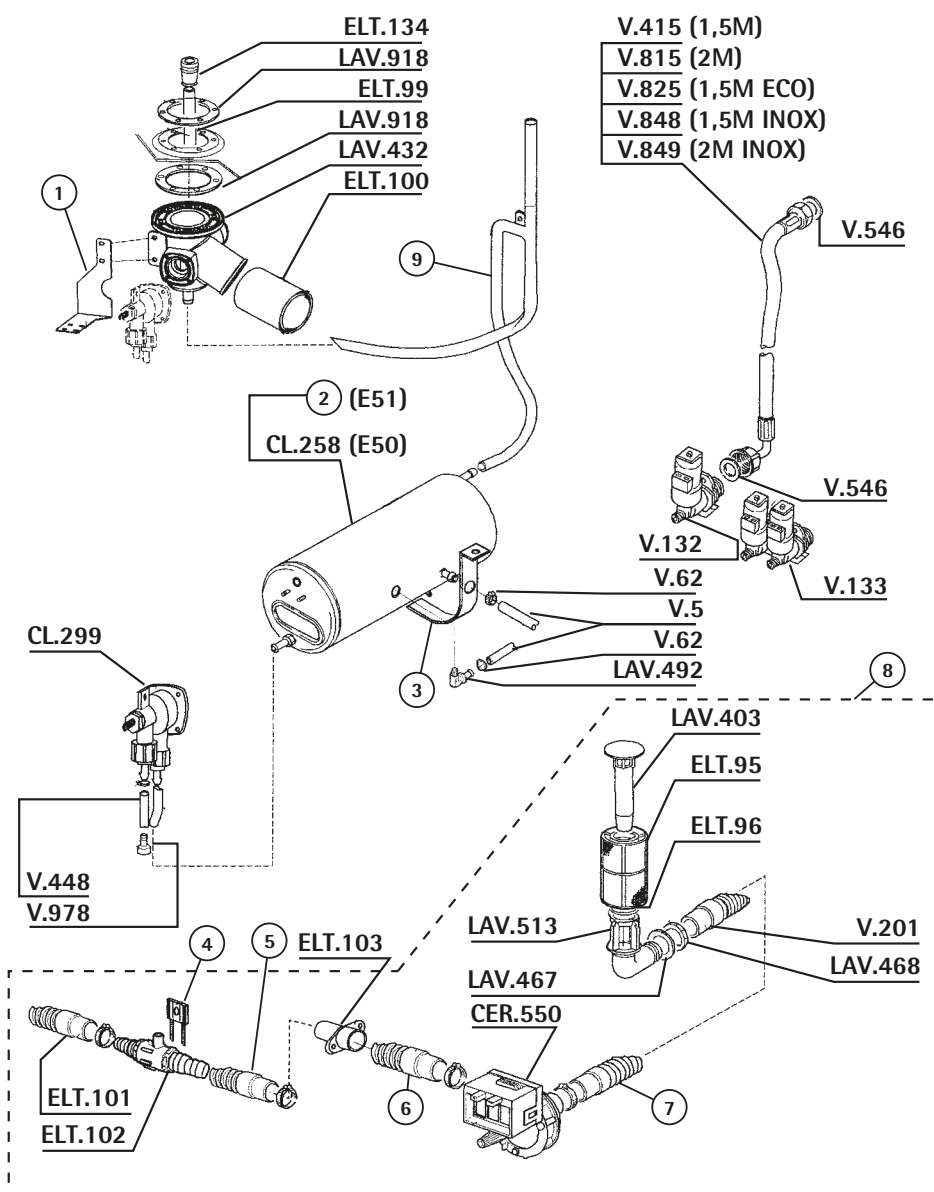
CONSULT US.

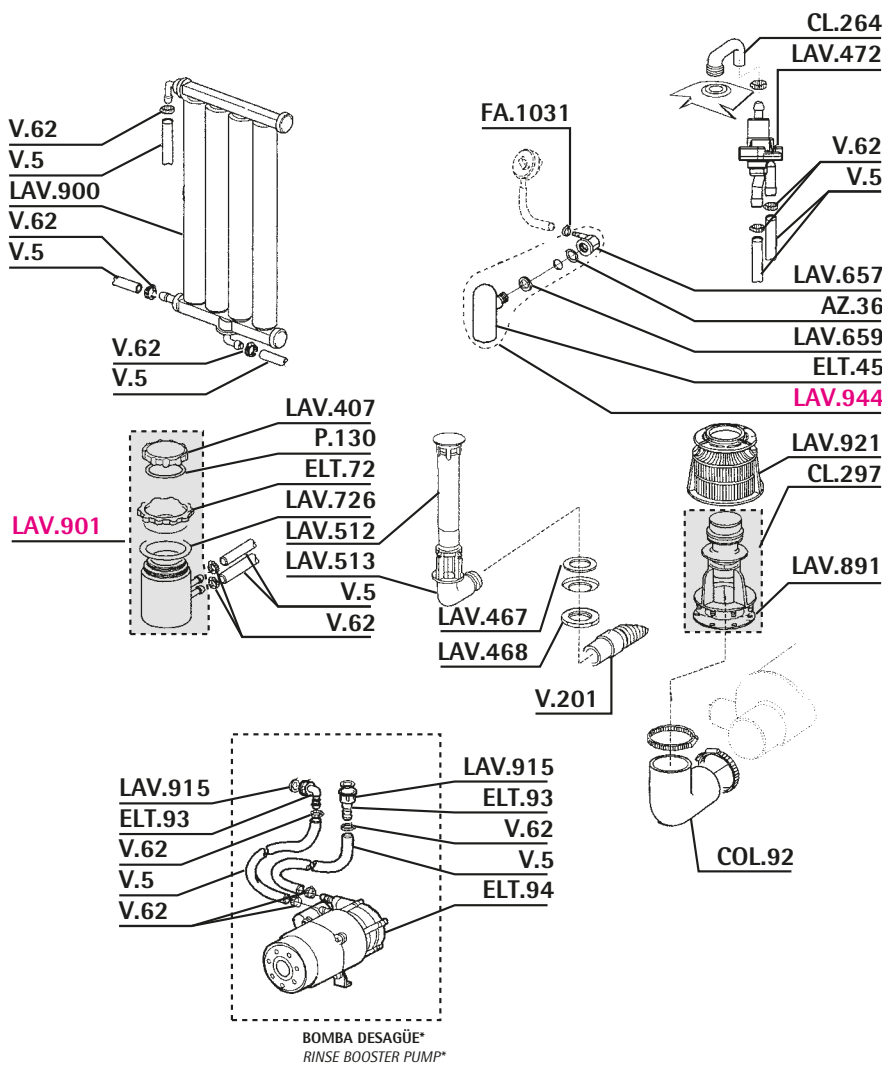


REF.	DESCRIPCIÓN	DESCRIPTION
CL.250	PROGRAMADOR	TIMER
CL.251	RESISTENCIA 3000W 230V	RESISTANCE 3000W 230V
CL.254	RESISTENCIA 3000W 230V	2900W 230V RESISTANCE
CL.341	IMAN	MAGNET
CL.343	RELE FINDER 60.63 10A 250V	10A 250V FINDER 60.63 RELAY
COL..2	RELE	RELAY
COL..3	TERMOSTATO CALDERIN	BOILER THERMOSTAT
COL.34	PATA	FOOT
COL.36	FILTRO	FILTER
COL.37	VARRILLA PUERTA	DOOR ROD
COL.83	RELE	RELAY
ELT.5	ARANDELA BULBO	BULB WASHER
ELT.6	TUERCA BULBO	BULB NUT
ELT.40	FIJADOR ENGANCHE PUERTA	DOOR FIXATION
ELT.41	PASADOR ESCUADRA PUERTA	DOOR BOLT
ELT.42	ESCUADRA PUERTA	DOOR SQUARE
ELT.157	SOPORTE INTERRUPTOR	SWITCH SUPPORT
ELT.158	BOTON SOPORTE INTERRUPTOR	SWITCH SUPPORT BUTTON
ELT.179	PRESOSTATO	PRESSURE SWITCH
LAV.427	INTERRUPTOR	SWITCH
LAV.428	PULSADOR 2 CONTACTOS	2 CONTACTS PUSH-BUTTON
LAV.429	PILOTO CON CABLE 6mm	WITCH WIRING LAMP
LAV.443	JUNTA RESISTENCIA	RESISTANCE GASKET
LAV.452	RELE 65.31 230/50HZ	65.31 230/50HZ RELAY
LAV.498	RACOR T	T FITTING
LAV.620	RESISTENCIA CALDER. 4500W 230V	BOILER RESISTANCE 4500W 230V
LAV.622	TORICA RESISTENCIA GOMA	RESISTANCE RUBBER RING
LAV.625	PRESOSTATO SAL.HOR.55/35	55/35 HOR.PRESSURE SWITCH
LAV.633	TERMOSTATO CUBA ROSCADO	SCREW TANK THERMOSTAT
LAV.667	TERMOSTATO CALDERIN	BOILER THERMOSTAT
LAV.758	PROTECTOR RESISTENCIA	RESISTANCE PROTECTOR
LAV.784	CIERRE PUERTA	CLOSING DOOR
LAV.785	PIVOTE CIERRE PUERTA	CLOSING DOOR PIVOT
LAV.786	SOPORTE CIERRE PUERTA 22R	22R CLOSING DOOR SUPPORT
M..175	TORICA GOMA EPDM	RUBBER RING
V..30	RACOR ENTRADA JABON	INLET SOAP FITTING
V..448	TUBO PRESOSTATO-METRO 4X6	4X6 PRE. SWITCH INLET PIPE
V..611	TUBO INTERIOR DOS.PER. JABON	INLET PIPE
V..613	TUBO INTERIOR DOS.PER.ABRILLAN	RINS.AID INSIDE PIPE
V..973	DOSIFICADOR PERISTALTICO INTER	INTERNAL PERISTALTIC DOS.
V..975	DOSIFICADOR ABRILLANTADOR EXT.	EXTERNAL RINSE DOSIMETER
V..978	FILTRO DOSIFICADOR	DOSIMETER FILTER
V..980	RACOR ENTRADA JABON LARGO	LONG INLET FITTING
V.1719	RACOR PRESOSTATO Y	Y PRESSURE SWITCH FITTING
V.1800	RACOR ENTRADA JABON METALICO	METALIC DETER.INLET FITTING



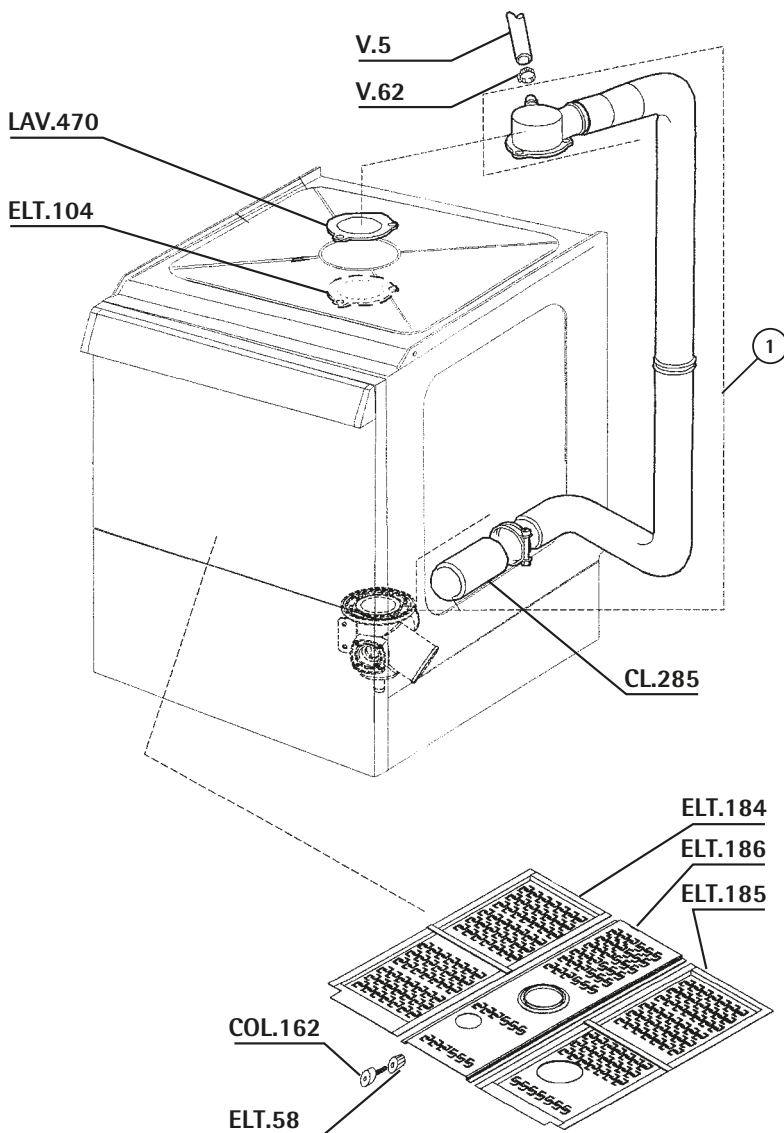
REF.	DESCRIPCIÓN	DESCRIPTION
CER550	BOMBA DESAGÜE 40W	40W OUTLET PUMP
CL.258	CALDERIN	BOILER
CL.299	DOSIFICADOR HIDRAULICO	HIDRAULIC DOSIMETER
ELT.95	FILTRO	FILTER
ELT.96	ARO FILTRO	FILTER GASKET
ELT.99	TUBO ACLARADO	RINSE PIPE
ELT.100	MANGUITO	SLEEVE
ELT.101	TUBO DESAGÜE	OUTLET PIPE
ELT.102	VALVULA DESAGÜE	OUTLET VALVE
ELT.103	RACOR DESAGÜE	OUTLET FITTING
ELT.134	INSERTO CONDUCTO	CONDUIT INSERT
LAV.403	SOBRENIVEL	OVERFLOW
LAV.432	COLECTOR MOD.ABRIL 2001	APRIL 2001 MODERN COLECT.
LAV.467	JUNTA GOMA	RUBBER GASKET
LAV.468	TUERCA	NUT
LAV.492	CODO	ELBOW
LAV.513	CURVA DESCARGA	OUTLET ELBOW
LAV.918	JUNTA COLECTOR INFERIOR GOMA	RUBBER GASKET
V....5	TUBO GOMA 10X16 20 ATM	20ATM 10X17 RUBBER PIPE
V..62	ABRAZADERA 12-20	12-20 CLAMP
V..132	ELECTROVAL.1 VIA LAV.220V	WASH 1 WAY 220V SOLENOID
V..133	ELECTROVAL.2 VIA LAV.220V	WASH 2 WAYS 220V SOLENOID
V..201	TUBO DESAGÜE 28mm. 1,5mt.	28mm. 1.5mt OUTLET PIPE
V..415	TOMA LAVADORA 1,5M	QUALITY 1.5M.INLET W.FLEX
V..448	TUBO PRESOSTATO-METRO 4X6	4X6 PRE. SWITCH INLET PIPE
V..546	JUNTA GOMA 3/4	WATER INLET RUBBER GASKET
V..815	TOMA LAVADORA 2 METROS	2 MT.INLET WATER FLEXIBLE
V..825	TOMA LAVADORA 1.5 «ECO»	«ECO»1.5M INLET WA.FLEXIB
V..848	TOMA LAVADORA 1.5M INOX	INOX 1.5M INLET WATER FL.
V..849	TOMA LAV.INOX 2MT.3/4X3/4	INOX 2MT.INLET WATER FLE.
V..978	FILTRO DOSIFICADOR	DOSIMETER FILTER





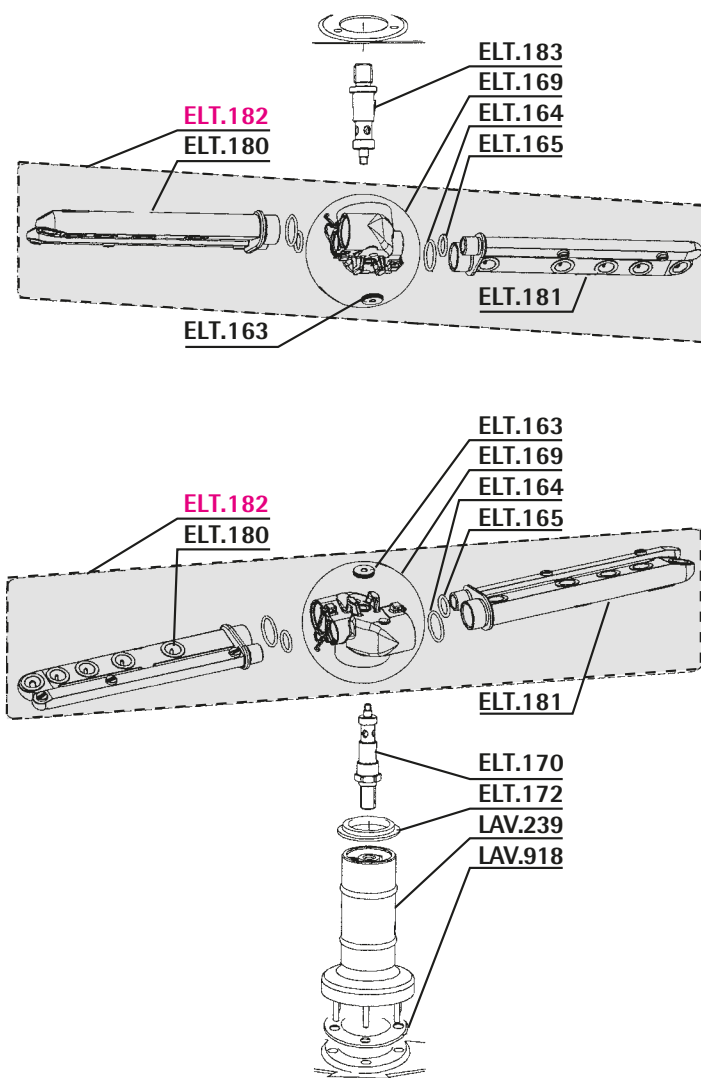
REF.	DESCRIPCIÓN	DESCRIPTION
AZ..36	TORICA GOMA	EPDM RING
CL.264	CODO	ELBOW
CL.297	BASE FILTRO	FILTER BASE
COL.92	CODO	ELBOW
ELT.45	CAMARA PRESOSTATICA	PRESSURE SWITCH CHAMBER
ELT.72	RACOR DEPOSITO SAL	FITTING SALT CONTAINER
ELT.93	TUERCA 3/4	3/4 FITTING
ELT.94	BOMBA AUMENTO PRESION	PRESSURE PUMP
FA.1031	ABRAZADERA INOX 8-16	8-16 INOX CLAMP
LAV.407	TAPON DEPOSITO SAL	SALT TANK CAP
LAV.467	JUNTA GOMA	RUBBER GASKET
LAV.468	TUERCA	NUT
LAV.472	UNION TUBO	PIPE JUNCTION
LAV.512	TAPON DESAGÜE 50R-F	50R-F INLET CAP
LAV.513	CURVA DESCARGA	OUTLET ELBOW
LAV.657	RACOR CAMPANA	PRESSURE SWITCH FITTING
LAV.659	JUNTA GOMA	RUBBER GASKET
LAV.726	JUNTA GOMA BOTELLA SAL	BOTTLE SALT RUBBER GASKET
LAV.891	JUNTA FILTRO BOMBA GOMA	FILTER PUMP RUBBER GASKET
LAV.900	DEPURADOR LAVATAZAS	WASHING CUP PURIFIER
LAV.901	DEPOSITO SAL COMPLETO	SALT CONTAINER
LAV.915	JUNTA CALDERIN ALIMENTAR.	BOILER ALIMENTARY GASKET
LAV.921	FILTRO BOMBA	PUMP FILTER
LAV.944	CAMARA PRESOSTATICA	PRES.SWITCH CHAMBER
P.130	TORICA EPDM	RING
V...5	TUBO GOMA 10X16 20 ATM	20ATM 10X17 RUBBER PIPE
V...62	ABRAZADERA 12-20	12-20 CLAMP
V..201	TUBO DESAGÜE 28mm. 1,5mt.	28mm. 1.5mt OUTLET PIPE

Filtro / Distribuidor E50 / E51 11/2005 ■ E50 / E51 11/2005 Distributor / Filter

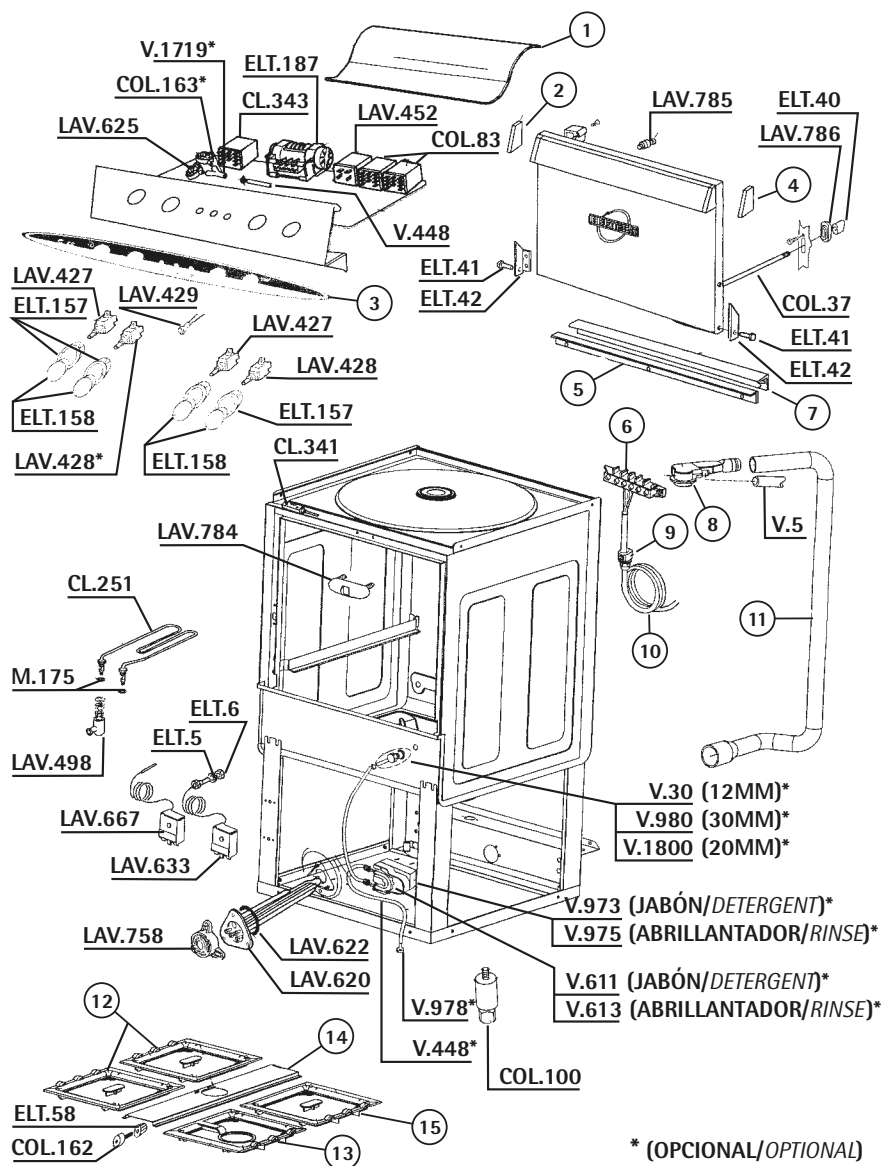


REF.	DESCRIPCIÓN	DESCRIPTION
CL.285	MANGUITO INFERIOR	LOWER SLEEVE
COL.162	TORNILLO FILTRO	FILTER SCREW
ELT.58	ENGANCHE FILTRO	FILTER FIXATION
ELT.104	JUNTA	GASKET
ELT.184	FILTRO IZQUIERDO	LEFT FILTER
ELT.185	FILTRO DERECHO	RIGHT FILTER
ELT.186	FILTRO CENTRAL	CENTER FILTER
LAV.470	JUNTA GOMA	RUBBER GASKET
V....5	TUBO GOMA 10X16 20 ATM	20ATM 10X17 RUBBER PIPE
V...62	ABRAZADERA 12-20	12-20 CLAMP

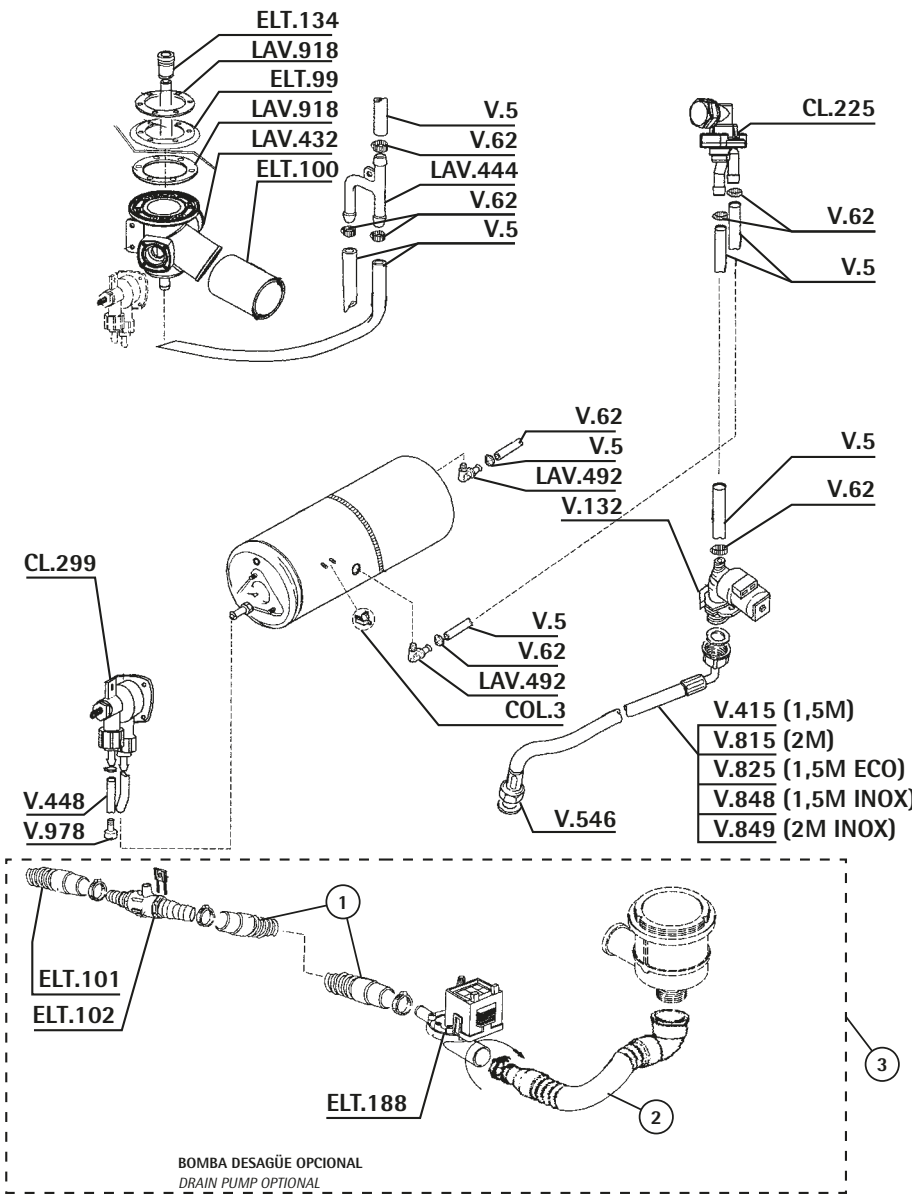
REF.	DESCRIPCIÓN	DESCRIPTION
ELT163	ARANDELA	WASHER
ELT164	JUNTA	GASKET
ELT165	JUNTA	GASKET
ELT169	UNION GIRATORIO E45	E45 GIRATORY JUNCTION
ELT170	EJE GIRATORIO	GIRATORY ROD
ELT172	JUNTA COLECTOR	COLECTOR GASKET
ELT180	BRAZO GIRATORIO IZQUIERDO E50	E50 - E51 LEFT GIRATORY ARM
ELT181	BRAZO GIRATORIO DERECHO E50 - E51	E50 - E51 RIGTH GIRATORY ARM
ELT182	GIRATORIO COMPLETO E50 - E51	E50 - E51 COMPLET GIRATORY
ELT183	EJE SUPERIOR	UPPER ROD
LAV239	RACOR CENTRAL INFERIOR	LOWER CENTRAL FITTING
LAV918	JUNTA COLECTOR INFERIOR GOMA	RUBBER GASKET



REF.	DESCRIPCIÓN	DESCRIPTION
CL.251	RESISTENCIA 3000W 230V	RESISTANCE 3000W 230V
CL.341	IMAN	MAGNET
CL.343	RELE FINDER 60.63 10A 250V	10A 250V FINDER 60.63 RELAY
COL.37	VARILLA PUERTA	DOOR ROD
COL.83	RELE	RELAY
COL100	PATA REGULABLE	FOOT
COL162	TORNILLO FILTRO	FILTER SCREW
COL163	PRESOSTATO	PRESSURE SWITCH
ELT.5	ARANDELA BULBO	BULB WASHER
ELT.6	TUERCA BULBO	BULB NUT
ELT.40	FIJADOR ENGANCHE PUERTA	DOOR FIXATION
ELT.41	PASADOR ESCUADRA PUERTA	DOOR BOLT
ELT.42	ESCUADRA PUERTA	DOOR SQUARE
ELT.58	ENGANCHE FILTRO	FILTER FIXATION
ELT157	SOPORTE INTERRUPTOR	SWITCH SUPPORT
ELT158	BOTON SOPORTE INTERRUPTOR	SWITCH SUPPORT BUTTON
ELT187	PROGRAMADOR	TIMER
LAV427	INTERRUPTOR	SWITCH
LAV428	PULSADOR 2 CONTACTOS	2 CONTACTS PUSH-BUTTON
LAV429	PILOTO CON CABLE 6mm	WITCH WIRING LAMP
LAV452	RELE 65.31 230/50HZ	65.31 230/50HZ RELAY
LAV498	RACOR T	T FITTING
LAV620	RESISTENCIA CALDER. 4500W 230V	BOILER RESISTANCE 4500W 230V
LAV622	TORICA RESISTENCIA GOMA	RESISTANCE RUBBER RING
LAV625	PRESOSTATO SAL.HOR.55/35	55/35 HOR.PRESSURE SWITCH
LAV633	TERMOSTATO CUBA ROSCADO	SCREW TANK THERMOSTAT
LAV667	TERMOSTATO CALDERIN	BOILER THERMOSTAT
LAV758	PROTECTOR RESISTENCIA	RESISTANCE PROTECTOR
LAV784	CIERRE PUERTA	CLOSING DOOR
LAV785	PIVOTE CIERRE PUERTA	CLOSING DOOR PIVOT
LAV786	SOPORTE CIERRE PUERTA 22R	22R CLOSING DOOR SUPPORT
M..175	TORICA GOMA EPDM	RUBBER RING
V....5	TUBO GOMA 10X16 20 ATM	20ATM 10X17 RUBBER PIPE
V..30	RACOR ENTRADA JABON	INLET SOAP FITTING
V..448	TUBO PRESOSTATO-METRO 4X6	4X6 PRE.SWITCH INLET PIPE
V..611	TUBO INTERIOR DOS.PER. JABON	INLET PIPE
V..613	TUBO INTERIOR DOS.PER.ABRILLAN	RINS.AID INSIDE PIPE
V..973	DOSIFICADOR PERISTALTICO INTER	INTERNAL PERISTALTIC DOS.
V..975	DOSIFICADOR ABRILLANTADOR EXT.	EXTERNAL RINSE DOSIMETER
V..978	FILTRO DOSIFICADOR	DOSIMETER FILTER
V..980	RACOR ENTRADA JABON LARGO	LONG INLET FITTING
V.1719	RACOR PRESOSTATO Y	Y PRESSURE SWITCH FITTING
V.1800	RACOR ENTRADA JABON METALICO	METALIC DETER.INLET FITTING

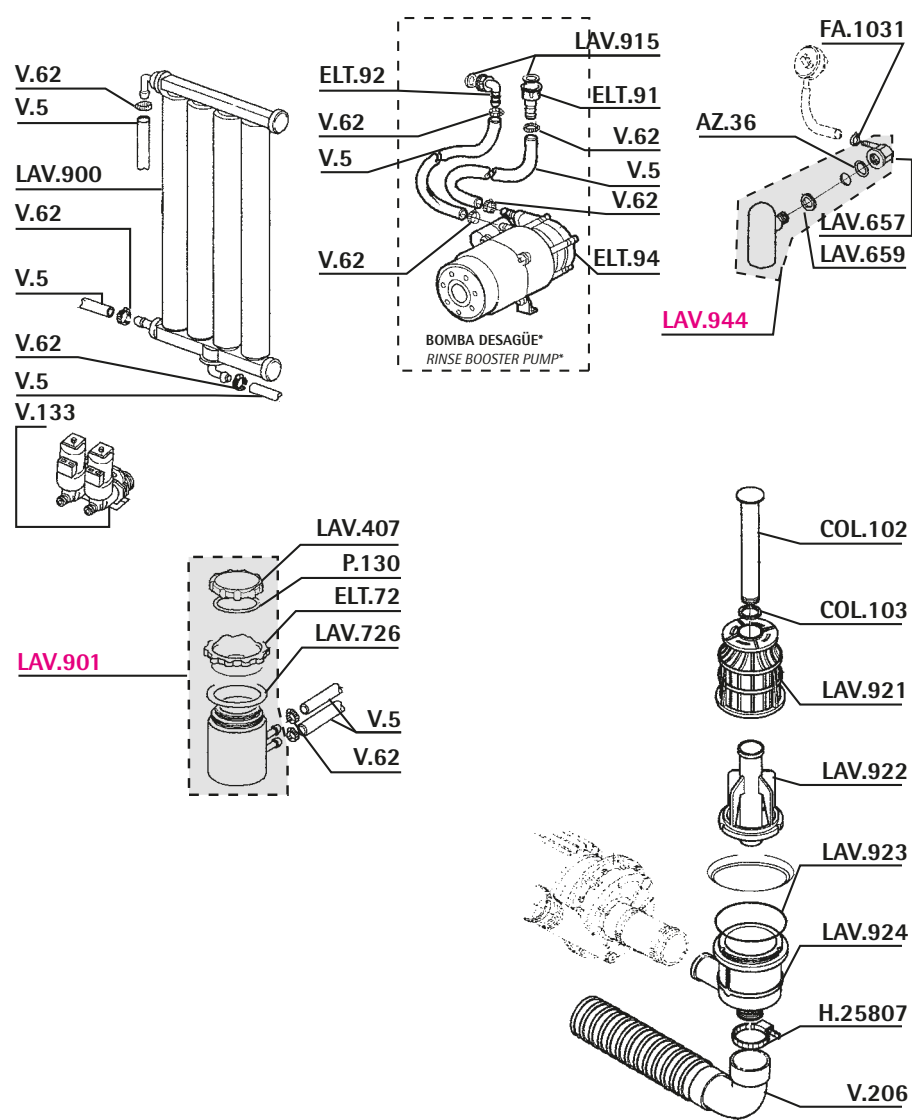


* (OPCIONAL/OPTIONAL)



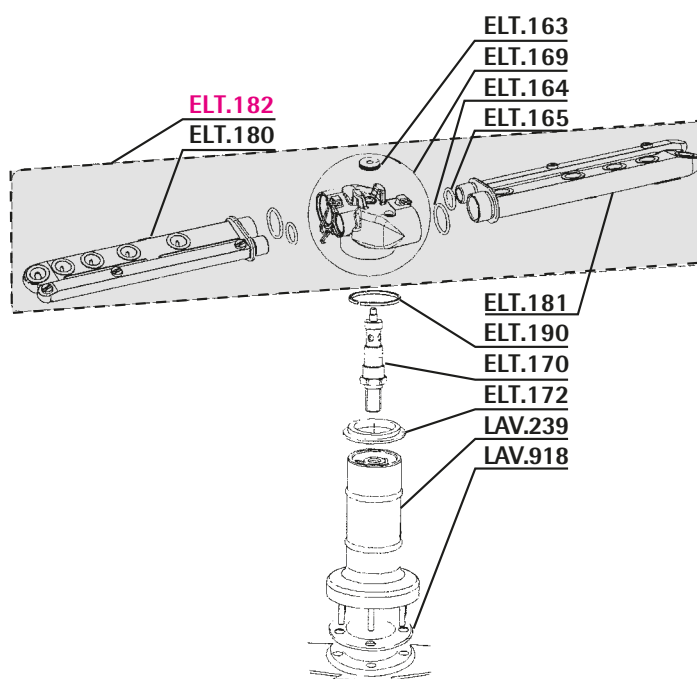
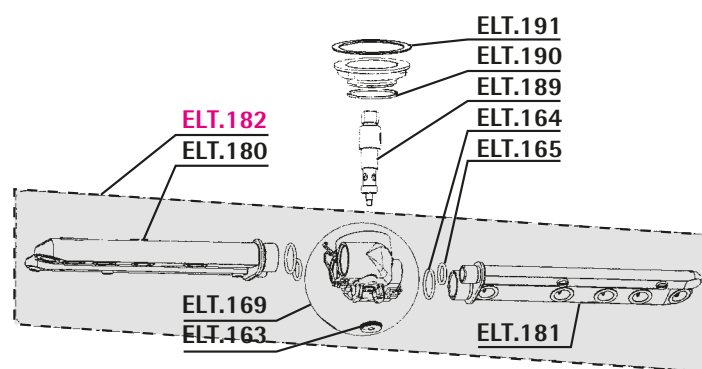
REF.	DESCRIPCIÓN	DESCRIPTION
CL.225	RACOR	FITTING
CL.299	DOSIFICADOR HIDRAULICO	HIDRAULIC DOSIMETER
COL...3	TERMOSTATO CALDERIN	BOILER THERMOSTATE
ELT.99	TUBO ACLARADO	RINSE PIPE
ELT.100	MANGUITO	SLEEVE
ELT.101	TUBO DESAGÜE	OUTLET PIPE
ELT.102	VALVULA DESAGÜE	OUTLET VALVE
ELT.134	INSERTO CONDUCTO	CONDUIT INSERT
ELT.188	BOMBA DESAGÜE	DRAIN PUMP
LAV.432	COLECTOR MOD.ABRIL 2001	APRIL 2001 MODERN COLECT.
LAV.444	RACOR 3 VIAS	3 WAYS FITTING
LAV.492	CODO	ELBOW
LAV.918	JUNTA COLECTOR INFERIOR GOMA	RUBBER GASKET
V...5	TUBO GOMA 10X16 20 ATM	20ATM 10X17 RUBBER PIPE
V...62	ABRAZADERA 12-20	12-20 CLAMP
V.132	ELECTROVAL.1 VIA LAV.220V	WASH 1 WAY 220V SOLENOID
V.415	TOMA LAVADORA 1,5M	QUALITY 1.5M.INLET W.FLEX
V.448	TUBO PRESOSTATO-METRO 4X6	4X6 PRE.SWITCH INLET PIPE
V.546	JUNTA GOMA 3/4	WATER INLET RUBBER GASKET
V.815	TOMA LAVADORA 2 METROS	2 MT.INLET WATER FLEXIBLE
V.825	TOMA LAVADORA 1.5 «ECO»	«ECO»1.5M INLET WA.FLEXIB
V.848	TOMA LAVADORA 1.5M INOX	INOX 1.5M INLET WATER FL.
V.849	TOMA LAV.INOX 2MT.3/4X3/4	INOX 2MT.INLET WATER FLE.
V.978	FILTRO DOSIFICADOR	DOSIMETER FILTER

Depurador / Filtro / Bomba desagüe E55 11/2005 ■ E55 11/2005 Drain pump / Filter / Purifier

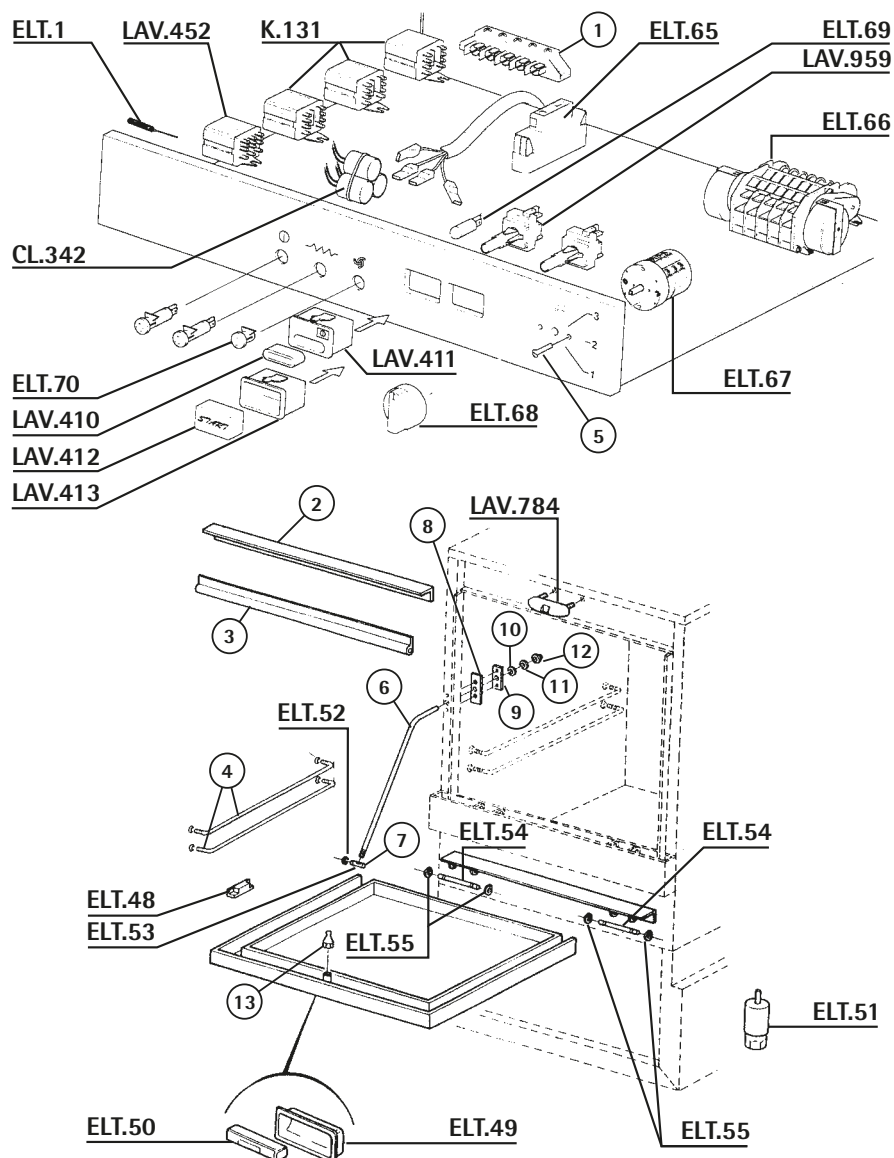


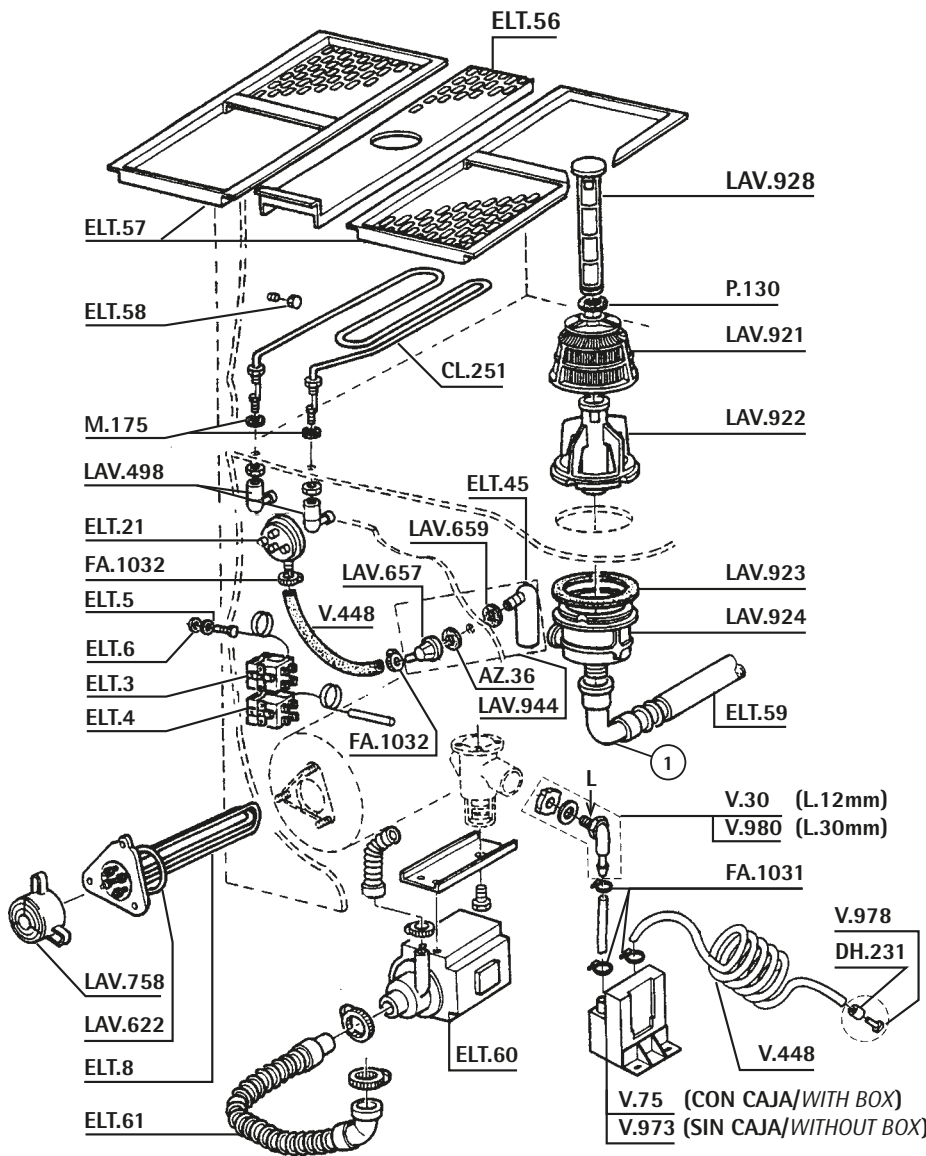
REF.	DESCRIPCIÓN	DESCRIPTION
AZ..36	TORICA GOMA	EPDM RING
COL102	SOBRENIVEL	OVERFLOW
COL103	JUNTA SOBRENIVEL	OVERFLOW GASKET
ELT.72	RACOR DEPOSITO SAL	FITTING SALT CONTAINER
ELT.91	RACOR RECTO	STRAIGHT FITTING
ELT.92	RACOR CODO	ELBOW FITTING
ELT.94	BOMBA AUMENTO PRESION	PRESSURE PUMP
FA1031	ABRAZADERA INOX 8-16	8-16 INOX CLAMP
H25807	ABRAZADERA 25-40	25-40 CLAMP
LAV407	TAPON DEPOSITO SAL	SALT TANK CAP
LAV657	RACOR CAMPANA	PRESSURE SWITCH FITTING
LAV659	JUNTA GOMA	RUBBER GASKET
LAV726	JUNTA GOMA BOTELLA SAL	BOTTLE SALT RUBBER GASKET
LAV900	DEPURADOR LAVATAZAS	WASHING CUP PURIFIER
LAV901	DEPOSITO SAL COMPLETO	SALT CONTAINER
LAV915	JUNTA CALDERIN ALIMENTAR.	BOILER ALIMENTARY GASKET
LAV921	FILTRO BOMBA	PUMP FILTER
LAV922	GUIA DESAGÜE	DRAIN GUIDE
LAV923	TORICA DESAGÜE	DRAIN RING
LAV924	COLECTOR LAVADO	WASHING COLLECTOR
LAV944	CAMARA PRESOSTATICA	PRES.SWITCH CHAMBER
P.130	TORICA EPDM	RING
V...5	TUBO GOMA 10X16 20 ATM	20ATM 10X17 RUBBER PIPE
V...62	ABRAZADERA 12-20	12-20 CLAMP
V.133	ELECTROVAL.2 VIA LAV.220V	WASH 2 WAYS 220V SOLENOID
V.206	TUBO DESAGÜE CON CODO	WITH ELBOW OUTLET PIPE

REF.	DESCRIPCIÓN	DESCRIPTION
ELT163	ARANDELA	WASHER
ELT164	JUNTA	GASKET
ELT165	JUNTA	GASKET
ELT169	UNION GIRATORIO E45	E45 GIRATORY JUNCTION
ELT170	EJE GIRATORIO	GIRATORY ROD
ELT172	JUNTA COLECTOR	COLECTOR GASKET
ELT180	BRAZO GIRATORIO IZQUIERDO E50	E50 - E51 LEFT GIRATORY ARM
ELT181	BRAZO GIRATORIO DERECHO E50 - E51	E50 - E51 RIGTH GIRATORY ARM
ELT182	GIRATORIO COMPLETO E50 - E51	E50 - E51 COMPLET GIRATORY
ELT189	EJE	ROD
ELT190	JUNTA	GASKET
ELT191	TUERCA	NUT
LAV239	RACOR CENTRAL INFERIOR	LOWER CENTRAL FITTING
LAV918	JUNTA COLECTOR INFERIOR GOMA	RUBBER GASKET



REF.	DESCRIPCIÓN	DESCRIPTION
CL.342	FILTRO ANTIPARASITARIO	ANTIPARASITIC FILTER
ELT.1	MICROINTERRUPTOR MAGNETICO	MICRO-SWITCH
ELT.48	IMAN PUERTA	DOOR MAGNET
ELT.49	CUERPO MANETA PUERTA	DOOR HANDLE BODY
ELT.50	MANETA PUERTA	DOOR HANDLE
ELT.51	PIE MAQUINA	FOOT
ELT.52	SEEGER D.7mm	D.7mm SEEGER
ELT.53	PERNO	BOLT
ELT.54	PERNO PUERTA	DOOR BOLT
ELT.55	SEEGER D.5mm	D.5mm SEEGER
ELT.65	TEMPORIZADOR ELECTRONICO	ELECTRONIC TIMER
ELT.66	PROGRAMADOR	TIMER
ELT.67	CONMUTADOR 5 POSICIONES	5 POSITIONS SWITCH
ELT.68	MANDO CONMUTADOR	SWITCH HANDLE
ELT.69	PILOTO	LAMP
ELT.70	FUNDA PILOTO	LAMP COVER
K..131	RELE 16A	16A RELAY
LAV410	PULSANTE AZUL	BLUE PUSH
LAV411	CUERPO PULSANTE L.36	L.36 PUSH BODY
LAV412	PULSANTE START	START PUSH
LAV413	CUERPO PULSANTE START	START PUSH BODY
LAV452	RELE 65.31	65.31 RELAY
LAV784	CIERRE PUERTA	CLOSING DOOR
LAV959	CONMUTADOR DOBLE	DOUBLE SWITCH

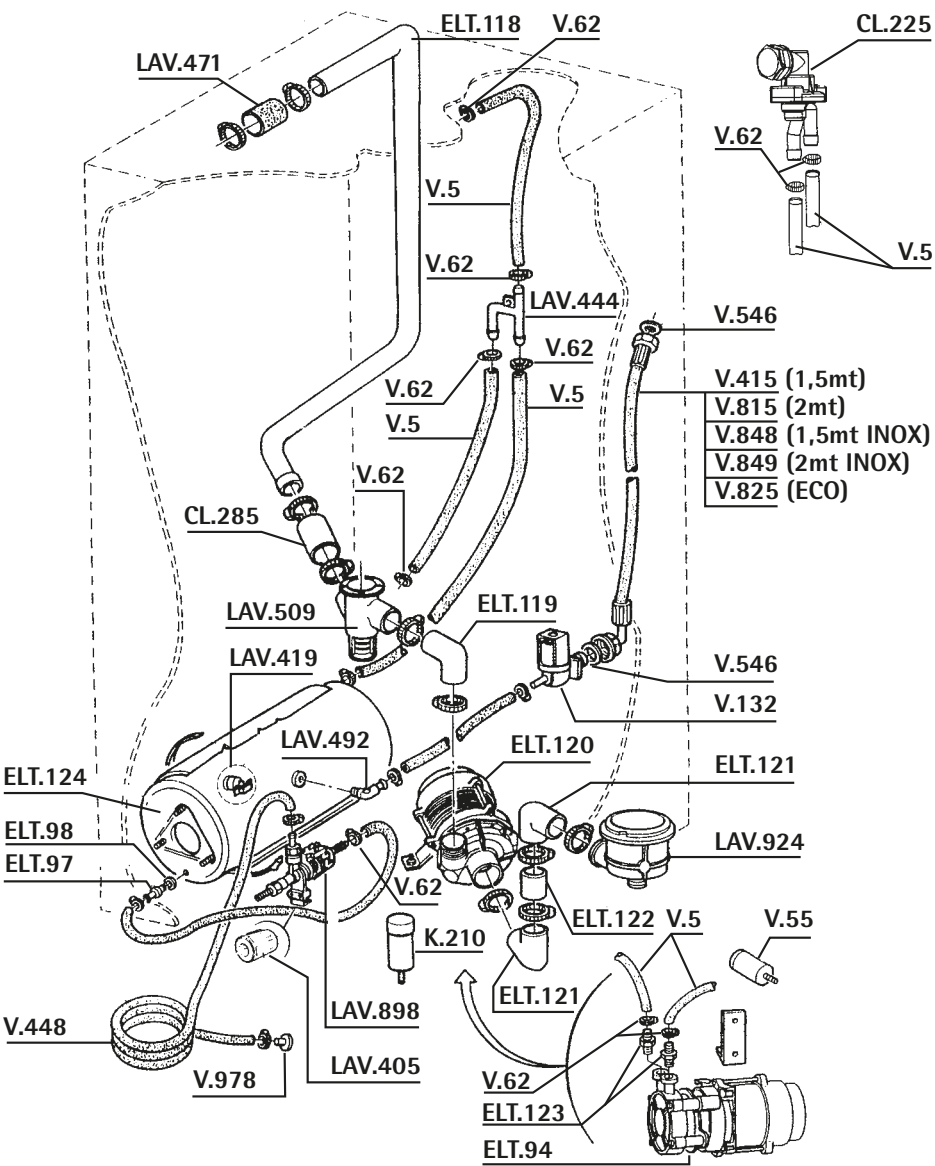




REF.	DESCRIPCIÓN	DESCRIPTION
AZ..36	TORICA GOMA	EPDM RING
CL.251	RESISTENCIA 3000W 230V	RESISTANCE 3000W 230V
DH.231	PESO FILTRO	FILTER FITTING
ELT..3	TERMOSTATO 3 CONTACTOS 55°C	55°C 3 CONTACTS THERMOSTAT
ELT..4	TERMOSTATO 3 CONTACTOS 90°C	90°C 3 CONTACTS THERMOSTAT
ELT..5	ARANDELA BULBO	BULB WASHER
ELT..6	TUERCA BULBO	BULB NUT
ELT..8	RESISTENCIA 6000W 230V	6000W 230V RESISTANCE
ELT.21	PRESOSTATO	PRESSURE SWITCH
ELT.45	CAMARA PRESOSTATICA	PRESSURE SWITCH CHAMBER
ELT.56	TRAVESA—O FILTRO	FILTER CORNERPIECE
ELT.57	FILTRO DERECHO/IZQUIERDO	RIGHT/LEFT FILTER
ELT.58	ENGANCHE FILTRO	FILTER FIXATION
ELT.59	TUBO DESAGÜE	OUTLET PIPE
ELT.60	BOMBA DESAGÜE 230V/100W	230V/100W OUTLET PUMP
ELT.61	MANGUERA BOMBA DESAGÜE	OUTLET PUMP PIPE
FA1031	ABRAZADERA INOX 8-16	8-16 INOX CLAMP
FA1032	BRIDA	CLASP
LAV498	RACOR T	T FITTING
LAV622	TORICA RESISTENCIA GOMA	RESISTANCE RUBBER RING
LAV657	RACOR CAMPANA	PRESSURE SWITCH FITTING
LAV659	JUNTA GOMA	RUBBER GASKET
LAV758	PROTECTOR RESISTENCIA	RESISTANCE PROTECTOR
LAV921	FILTRO BOMBA	PUMP FILTER
LAV922	GUIA DESAGÜE	DRAIN GUIDE
LAV923	TORICA DESAGÜE	DRAIN RING
LAV924	COLECTOR LAVADO	WASHING COLLECTOR
LAV928	SOBRENIVEL 22F	22F OVERFLOW
LAV944	CAMARA PRESOSTATICA	PRES.SWITCH CHAMBER
M..175	TORICA GOMA EPDM	RUBBER RING
P.130	TORICA EPDM	RING
V..30	RACOR ENTRADA JABON	INLET SOAP FITTING
V..75	DOSIF.PERISTALTICO REGULA	ADJUSTABLE DOSIMETER
V..448	TUBO PRESOSTATO-METRO 4X6	4X6 PRE.SWITCH INLET PIPE
V..973	DOSIFICADOR PERISTALTICO INTER	INTERNAL PERISTALTIC DOS.
V..978	FILTRO DOSIFICADOR	DOSIMETER FILTER
V..980	RACOR ENTRADA JABON LARGO	LONG INLET FITTING

Lavavajillas Dishwashers

ELETTROBAR



REF.	DESCRIPCIÓN	DESCRIPTION
CL.225	RACOR	FITTING
CL.285	MANGUITO INFERIOR	LOWER SLEEVE
ELT.94	BOMBA AUMENTO PRESION	PRESSURE PUMP
ELT.97	RACOR ENTRADA ABRILLANTADOR	RINSE AID INLET FITTING
ELT.98	JUNTA	GASKET
ELT.118	CONDUCTO LAVADO	WASH CONDUIT
ELT.119	CODO GOMA	RUBBER ELBOW
ELT.120	BOMBA 0.73KW 230V	0.73KW 230V PUMP
ELT.121	CODO GOMA	RUBBER ELBOW
ELT.122	ACOPLE INOX	INOX ADJUSTMENT
ELT.123	RACOR PORTAGOMA 3/8	3/8 RUBBERHOLDER FITTING
ELT.124	CALDERIN E-60	E-60 BOILER
K..210	CONDENSADOR 16 MF. 220V	16 MF. 220V CONDENSER
LAV405	BOBINA 220/240V 50HZ	220/240V 50HZ COIL
LAV419	TERMOSTATO CUBA 95°	95° TANK THERMOSTAT
LAV444	RACOR 3 VIAS	3 WAYS FITTING
LAV471	MANGUITO	SLEEVE
LAV492	CODO	ELBOW
LAV509	COLECTOR INFERIOR	LOWER COLLECTOR
LAV898	DOSIFICADOR ABRILLANTADOR	RINSE AID DOSIMETER
LAV924	COLECTOR LAVADO	WASHING COLLECTOR
V....5	TUBO GOMA 10X16 20 ATM	20ATM 10X17 RUBBER PIPE
V..55	CONDENSADOR 10 MF 220V	220V 10MF.CONDENSER
V..62	ABRAZADERA 12-20	12-20 CLAMP
V..132	ELECTROVAL.1 VIA LAV.220V	WASH 1 WAY 220V SOLENOID
V..415	TOMA LAVADORA 1,5M	QUALITY 1.5M.INLET W.FLEX
V..448	TUBO PRESOSTATO-METRO 4X6	4X6 PRE.SWITCH INLET PIPE
V..546	JUNTA GOMA 3/4	WATER INLET RUBBER GASKET
V..815	TOMA LAVADORA 2 METROS	2 MT.INLET WATER FLEXIBLE
V..825	TOMA LAVADORA 1.5 «ECO»	«ECO»1.5M INLET WA.FLEXIB
V..848	TOMA LAVADORA 1.5M INOX	INOX 1.5M INLET WATER FL.
V..849	TOMA LAV.INOX 2MT.3/4X3/4	INOX 2MT.INLET WATER FLE.
V..978	FILTRO	FILTER

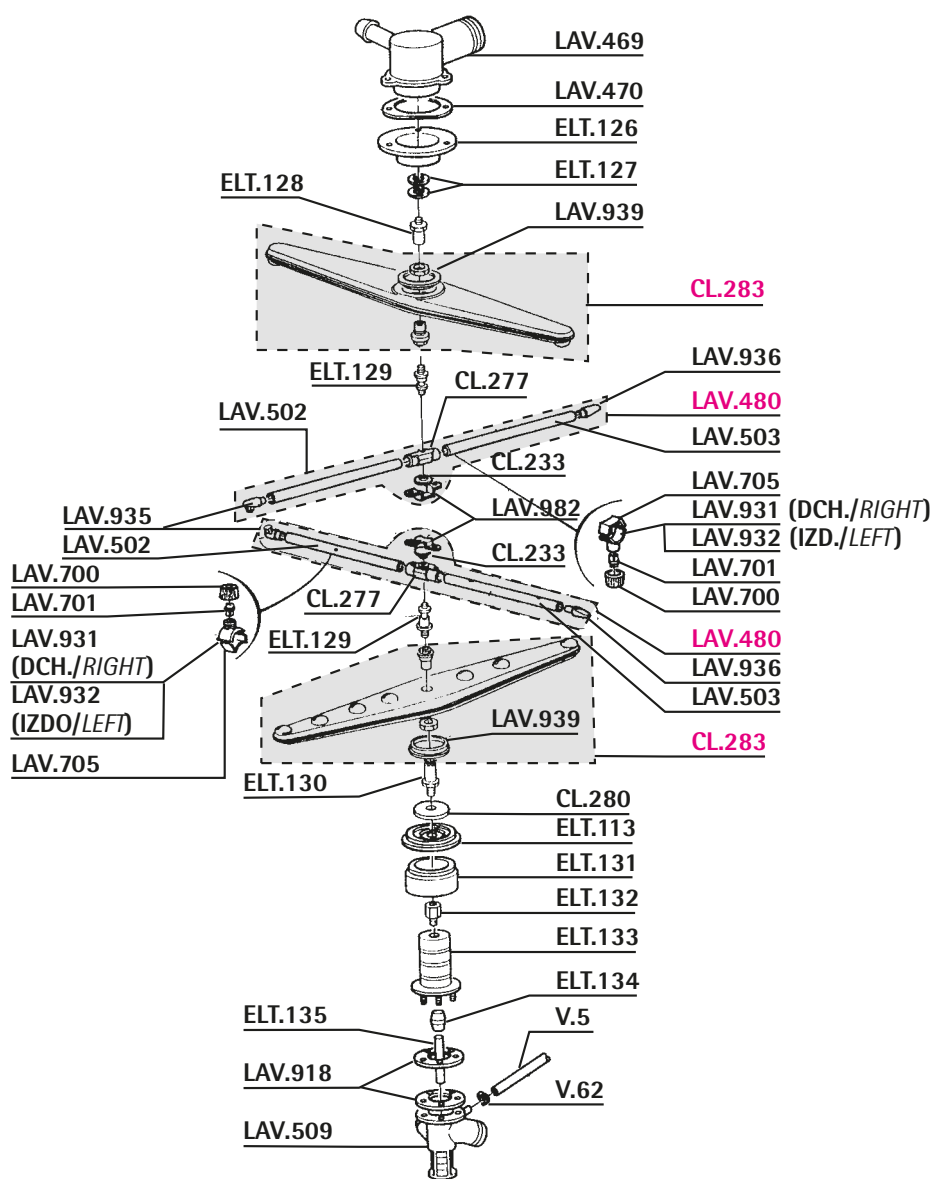
Lavavajillas Dishwashers

ASCASO

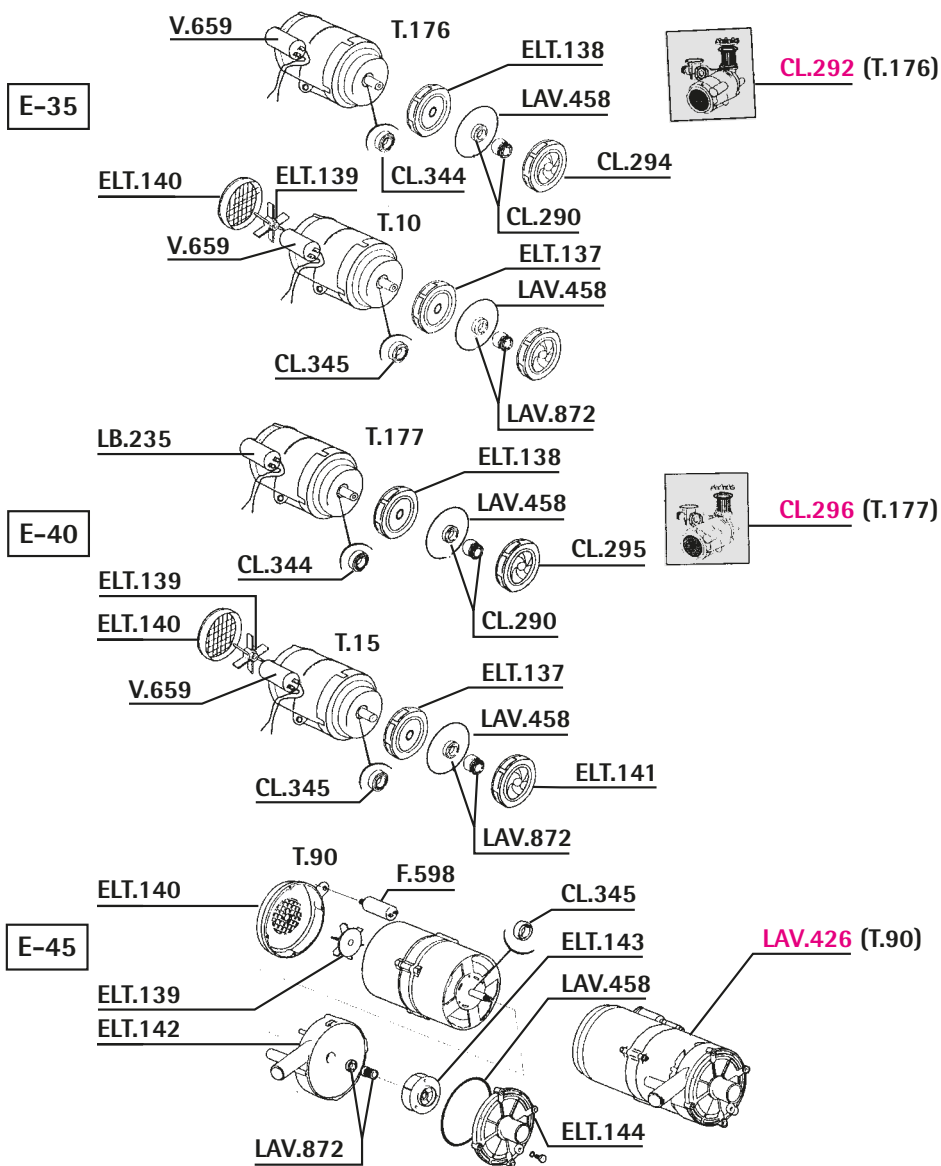
Solicite el DVD, incluye todos nuestros catálogos. Más de 50.000 artículos

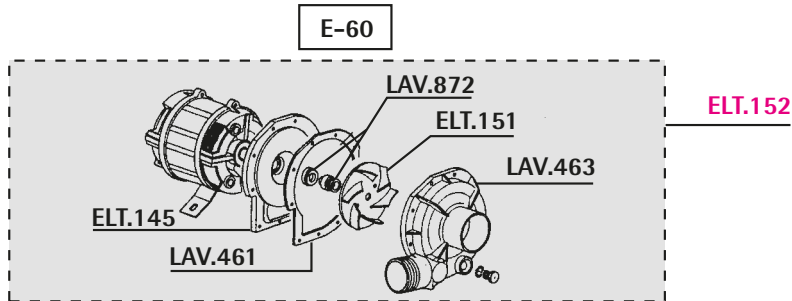
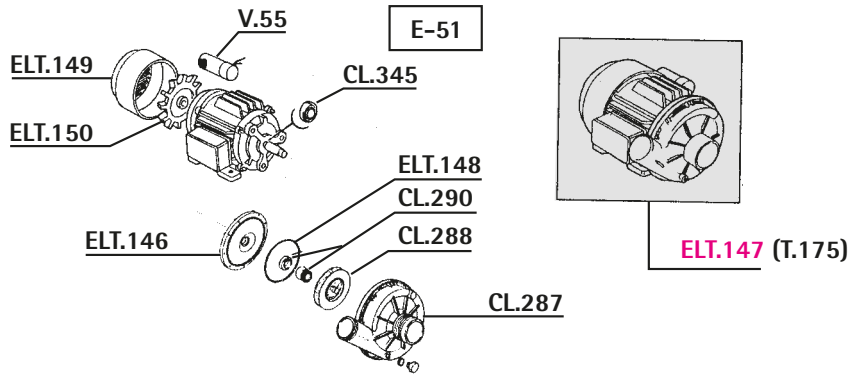
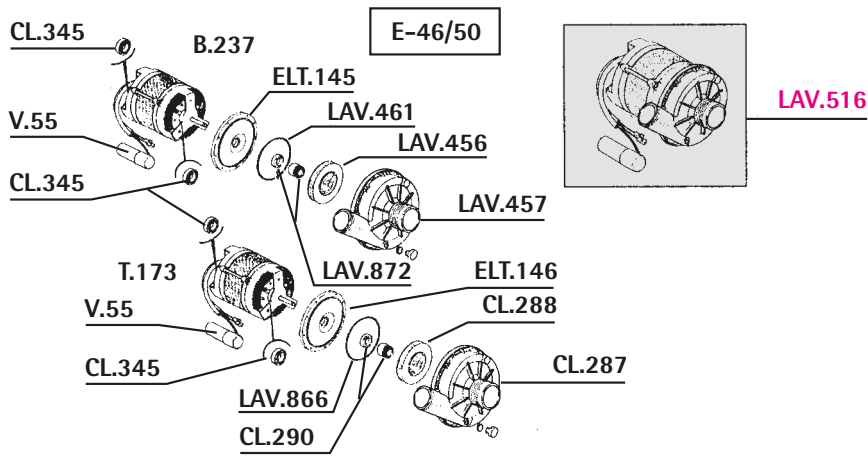


REF.	DESCRIPCIÓN	DESCRIPTION
CL.233	TUERCA INOX	INOX NUT
CL.277	UNION	JUNCTION
CL.280	ARANDELA	WASHER
CL.283	GIRANTE LAVADO	WASHING GYRATORY
ELT.113	DISCO PLASTICO	PLASTIC DISC
ELT.126	SOPORTE ASTA LAVADO	WASH ARM SUPPORT
ELT.127	ARANDELA	WAHER
ELT.128	EJE	ROD
ELT.129	EJE	ROD
ELT.130	EJE DISTANCIAL	DISTANCER ROD
ELT.131	SUPLEMENTO	SUPPLEMENT
ELT.132	DISTANCIAL INOX	INOX DISTANCER
ELT.133	CONDUCTO CENTRAL	CENTRAL CONDUIT
ELT.134	INSERTO CONDUCTO	CONDUIT INSERT
ELT.135	EJE INOX	INOX ROD
LAV.469	COLECTOR	COLLECTOR
LAV.470	JUNTA GOMA	RUBBER GASKET
LAV.480	GIRATORIO ACLARADO	RINSE GYRATORY
LAV.502	BRAZO ACLARADO 1 SALIDA	1 EXIT RINSE ARM
LAV.503	BRAZO ACLARADO 2 SALIDAS	2 EXIT RINSE ARM
LAV.509	COLECTOR INFERIOR	LOWER COLLECTOR
LAV.700	TUERCA ACLARADO	RINSE NUT
LAV.701	TAPON ACLARADO	RINSING CAP
LAV.705	MUELLE FIJA SURTIDOR	SPRING
LAV.918	JUNTA COLECTOR INFERIOR GOMA	RUBBER GASKET
LAV.931	PORTA SURTIDOR GRANDE DCHA	RIGH WATER SPOUT HOLDER
LAV.932	PORTA SURTIDOR GRANDE IZD	LEFT WATER SPOUT HOLDER
LAV.935	TERMINAL BRAZO ACLARADO	RINSE ARM TERMINAL
LAV.936	TERMINAL CIEGO BRAZO ACL.	RINSE ARM TERMINAL
LAV.939	CASQUILLO BRAZO LAV.PEQ.	WASHING PIPE CAP
LAV.982	TAPON COLECTOR 35-350F	35-350F COLLECTOR CAP
V....5	TUBO GOMA 10X16 20 ATM	20ATM 10X17 RUBBER PIPE
V...62	ABRAZADERA 12-20	12-20 CLAMP



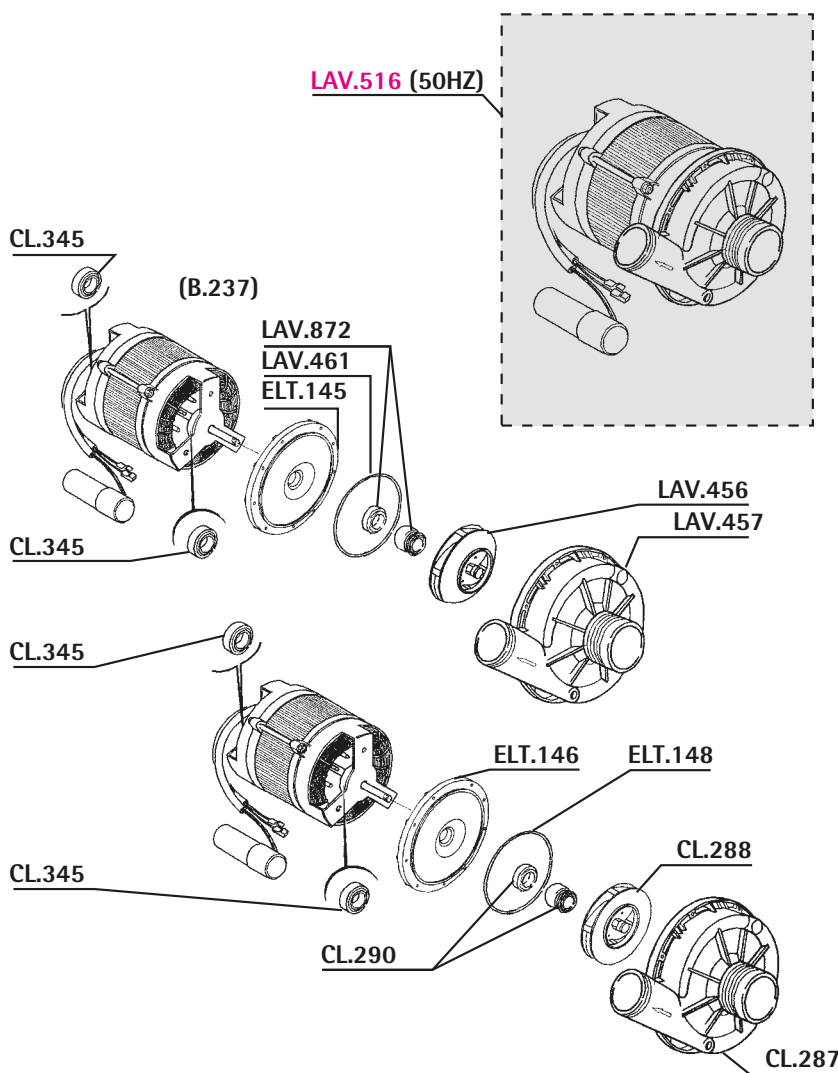
REF.	DESCRIPCIÓN	DESCRIPTION
CL.290	RETEN	MECHANICAL SEAL
CL.292	MOTOR C350 0.25HP	C350 0.25HP MOTOR
CL.294	GIRANTE C350	C350 GYRATORY
CL.295	GIRANTE C400	C400 GYRATORY
CL.296	MOTOR C400 0.33HP	C400 0.33HP MOTOR
CL.344	COJINETE C350/400	C350/400 BALL BEARING
CL.345	COJINETE	BALL BEARING
ELT.137	BASE CABEZAL E35/40 T10/15	E35/40 T10/15 HEAD BASE
ELT.138	BASE CABEZAL	HEAD BASE
ELT.139	ASPA VENTILACION	VENTILATION REEL
ELT.140	TAPA ASPA BOMBA	PUMP REEL LID
ELT.141	GIRANTE BOMBA E-40 T.15	E-40 T.15 PUMP GIRATORY
ELT.142	BASE CABEZAL E-45 T.90	E-45 T.90 HEAD BASE
ELT.143	GIRANTE BOMBA E-45 T.90	E-45 T.90 PUMP GIRATORY
ELT.144	CUERPO BOMBA E-45 T.90	E-45 T.90 POMPE BODY
F.598	CONDENSADOR 8 MF.220V	220V 8MF CONDENSER
LAV.426	MOTOR E-45 0.45HP	0.45HP E-45 MOTOR
LAV.458	TORICA BOMBA	PUMP RING
LAV.872	RETEN EJE MOTOR	MECHANICAL SEAL
LB.235	CONDENSADOR 6,3 MF	6,3 MF CONDENSER
V.659	CONDENSADOR 5 MF 220V	220V 5MF CONDENSER





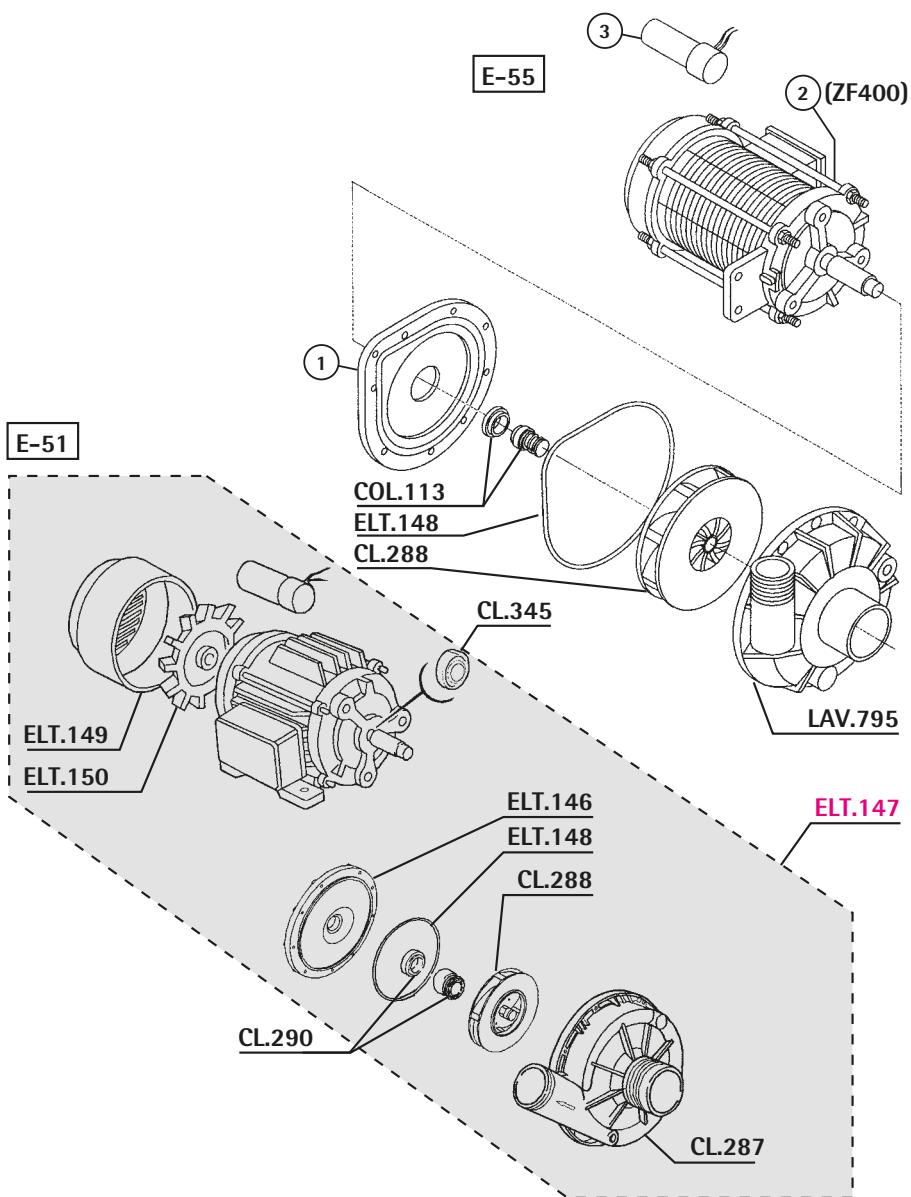
REF.	DESCRIPCIÓN	DESCRIPTION
CL.287	TAPA MOTOR	MOTOR LID
CL.288	GIRANTE	GYRATORY
CL.290	RETEN	MECHANICAL SEAL
CL.345	COJINETE	BALL BEARING
ELT.145	BASE MOTOR B.237/4223	B.237/4223 MOTOR BASE
ELT.146	BASE MOTOR T.173/T.175	T.173/T.175 MOTOR BASE
ELT.147	BOMBA E-51 230V	230V E-51 PUMP
ELT.149	TAPA ASPA BOMBA	PUMP REEL LID
ELT.150	ASPA BOMBA	PUMP REEL
ELT.151	TURBINA MOTOR E-60	E-60 MOTOR TURBINE
ELT.152	BOMBA E-60/E-100	E-60/100 PUMP
LAV.456	TURBINA 50-500F	50-500F TURBINE
LAV.457	TAPA BOMBA 50-500F	50-500F MOTOR LID
LAV.461	JUNTA TAPA BOMBA	PUMP COVER GASKET
LAV.463	TAPA BOMBA 22F/E-60/100	22F MOTOR LID
LAV.516	MOTOR BOM.0.8HP M.50/500	0.8HP MOD.50/500 MOTOR
LAV.866	TORICA TAPA BOMBA GOMA	PUMP COVER RUBBER RING
LAV.872	RETEN EJE MOTOR	MECHANICAL SEAL
V...55	CONDENSADOR 10 MF 220V	220V 10MF.CONDENSER

Motor E-50 11/2005 ■ E-50 11/2005 Motor

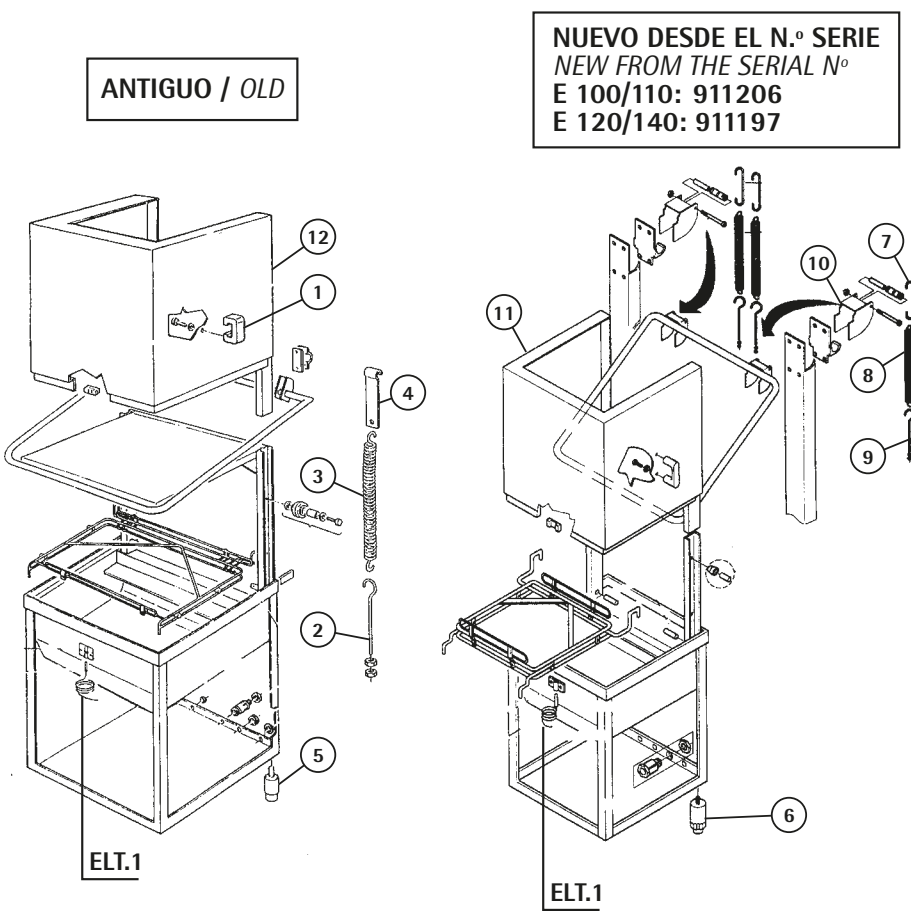


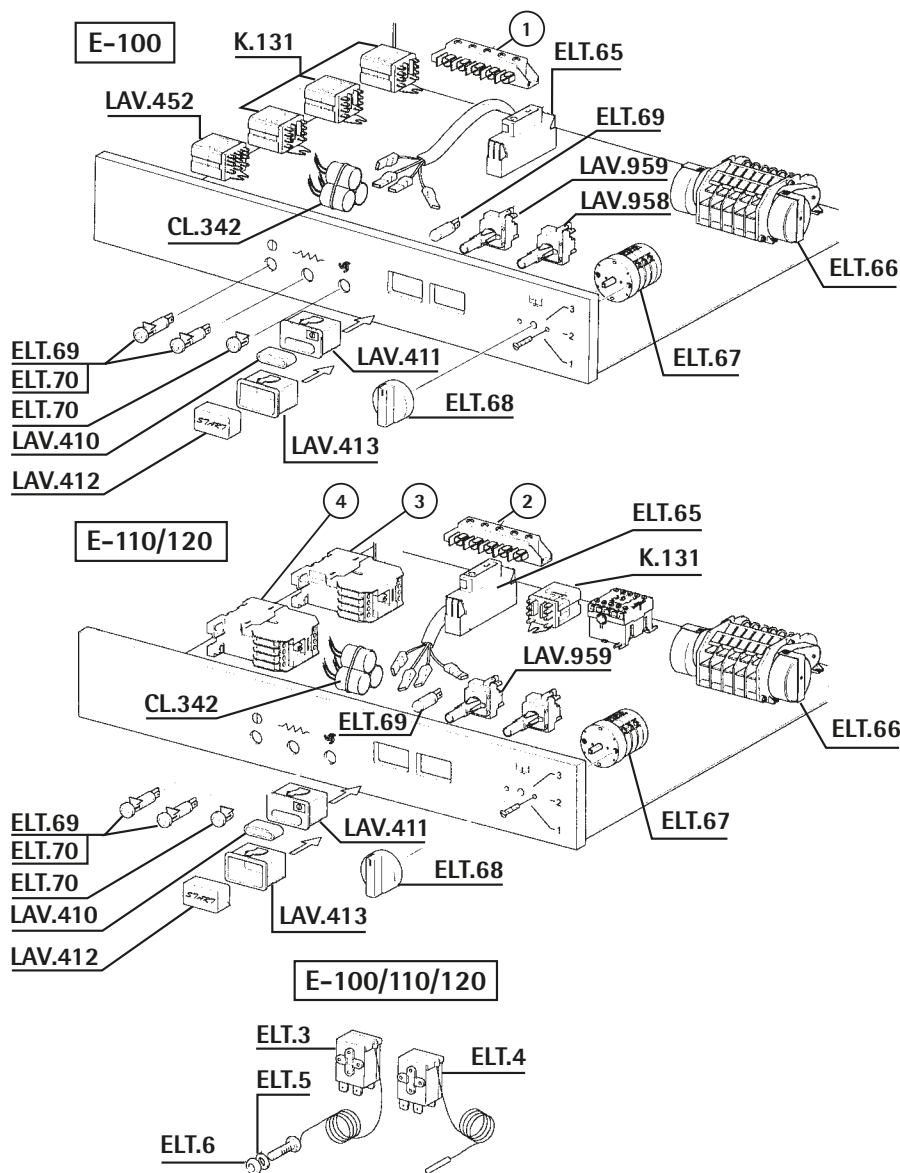
REF.	DESCRIPCIÓN	DESCRIPTION
CL.287	TAPA MOTOR	MOTOR LID
CL.288	GIRANTE	GYRATORY
CL.290	RETEN	MECHANICAL SEAL
CL.345	COJINETE	BALL BEARING
ELT.145	BASE MOTOR B.237/4223	B.237/4223 MOTOR BASE
ELT.146	BASE MOTOR T.173/T.175	T.173/T.175 MOTOR BASE
ELT.148	TORICA TAPA BOMBA	PUMP LID RING
LAV.456	TURBINA 50-500F	50-500F TURBINE
LAV.457	TAPA BOMBA 50-500F	50-500F MOTOR LID
LAV.461	JUNTA TAPA BOMBA	PUMP COVER GASKET
LAV.516	MOTOR BOM.0.8HP M.50/500	0.8HP MOD.50/500 MOTOR
LAV.872	RETEN EJE MOTOR	MECHANICAL SEAL

REF.	DESCRIPCIÓN	DESCRIPTION
CL.287	TAPA MOTOR	MOTOR LID
CL.288	GIRANTE	GYRATORY
CL.290	RETEN	MECHANICAL SEAL
CL.345	COJINETE	BALL BEARING
COL.113	RETEN MOTOR	MOTOR MECHANICAL SEAL
ELT.146	BASE MOTOR T.173/T.175	T.173/T.175 MOTOR BASE
ELT.147	BOMBA E-51 230V	230V E-51 PUMP
ELT.148	TORICA TAPA BOMBA	PUMP LID RING
ELT.149	TAPA ASPA BOMBA	PUMP REEL LID
ELT.150	ASPA BOMBA	PUMP REEL
LAV.795	TAPA BOMBA	PUMP BODY



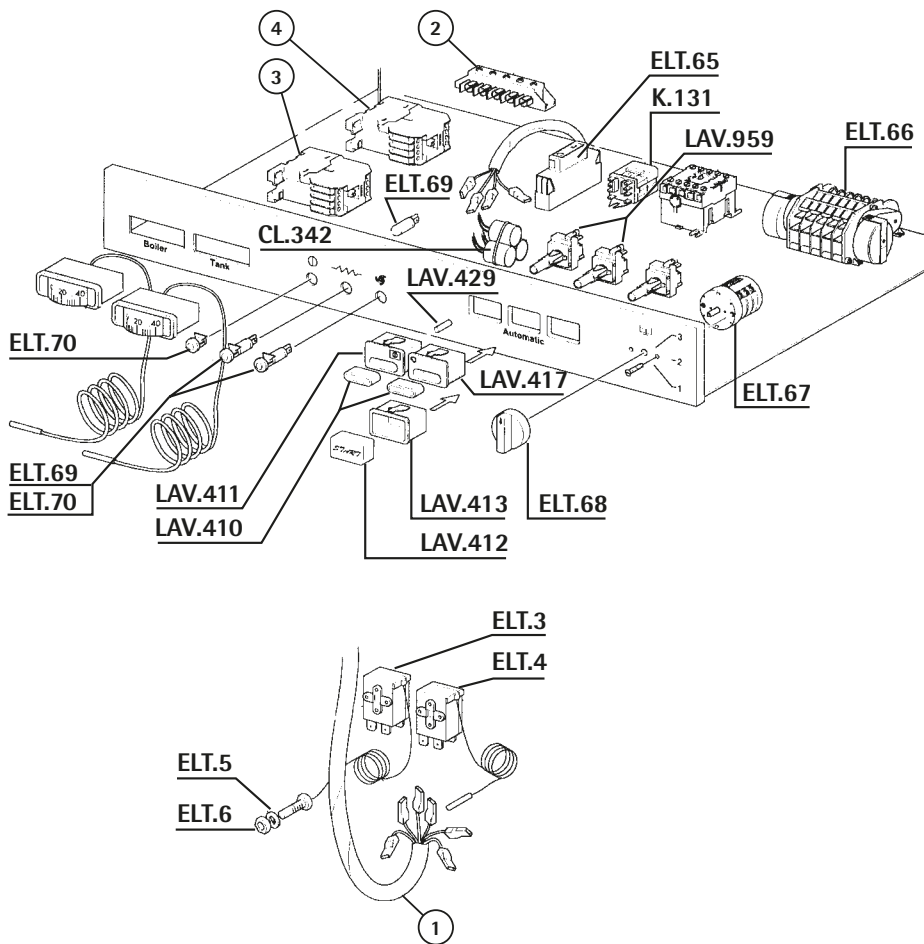
REF.	DESCRIPCIÓN	DESCRIPTION
ELT.1	MICROINTERRUPTOR MAGNETICO	MICRO-SWITCH





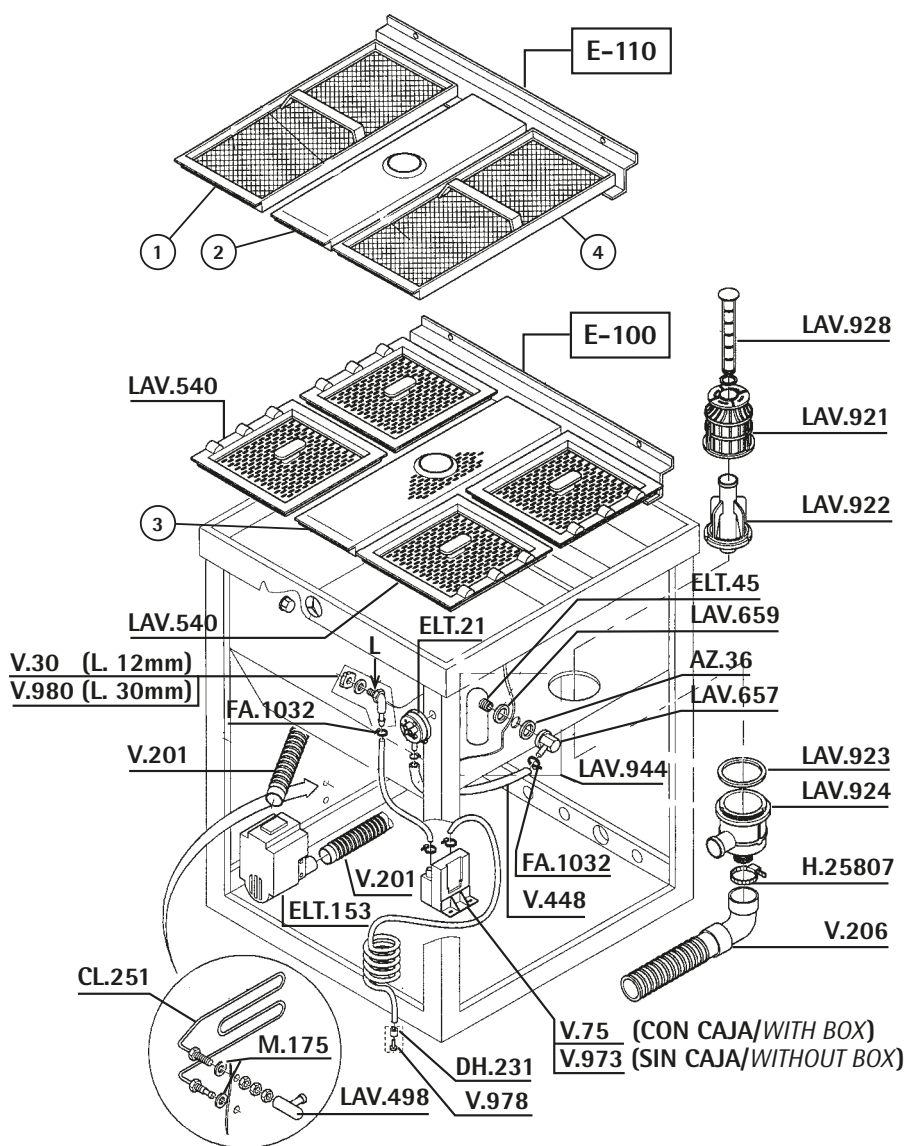
REF.	DESCRIPCIÓN	DESCRIPTION
CL.342	FILTRO ANTIPARASITARIO	ANTIPARASITIC FILTER
ELT.3	TERMOSTATO 3 CONTACTOS 55°C	55°C 3 CONTACTS THERMOSTAT
ELT.4	TERMOSTATO 3 CONTACTOS 90°C	90°C 3 CONTACTS THERMOSTAT
ELT.5	ARANDELA BULBO	BULB WASHER
ELT.6	TUERCA BULBO	BULB NUT
ELT.65	TEMPORIZADOR ELECTRONICO	ELECTRONIC TIMER
ELT.66	PROGRAMADOR	TIMER
ELT.67	CONMUTADOR 5 POSICIONES	5 POSITIONS SWITCH
ELT.68	MANDO CONMUTADOR	SWITCH HANDLE
ELT.69	PILOTO	LAMP
ELT.70	FUNDA PILOTO	LAMP COVER
K.131	RELE 16A 220V	10A 220V RELAY
LAV.410	PULSANTE AZUL	BLUE PUSH
LAV.411	CUERPO PULSANTE L.36	L.36 PUSH BODY
LAV.412	PULSANTE START	START PUSH
LAV.413	CUERPO PULSANTE START	START PUSH BODY
LAV.452	RELE 65.31 230/50HZ	65.31 230/50HZ RELAY
LAV.959	CONMUTADOR DOBLE	DOUBLE SWITCH

Componentes eléctricos E-140 ■ E-140 Electric components

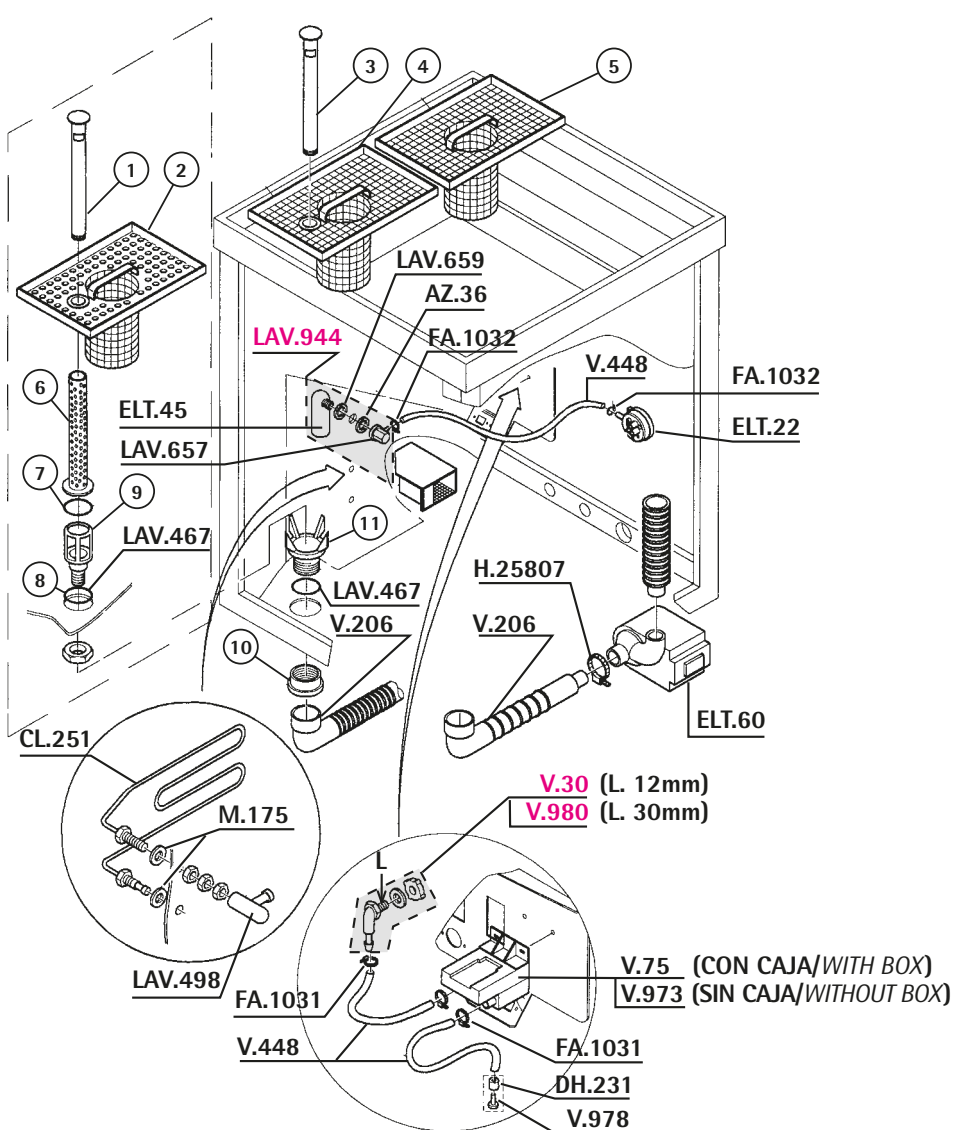


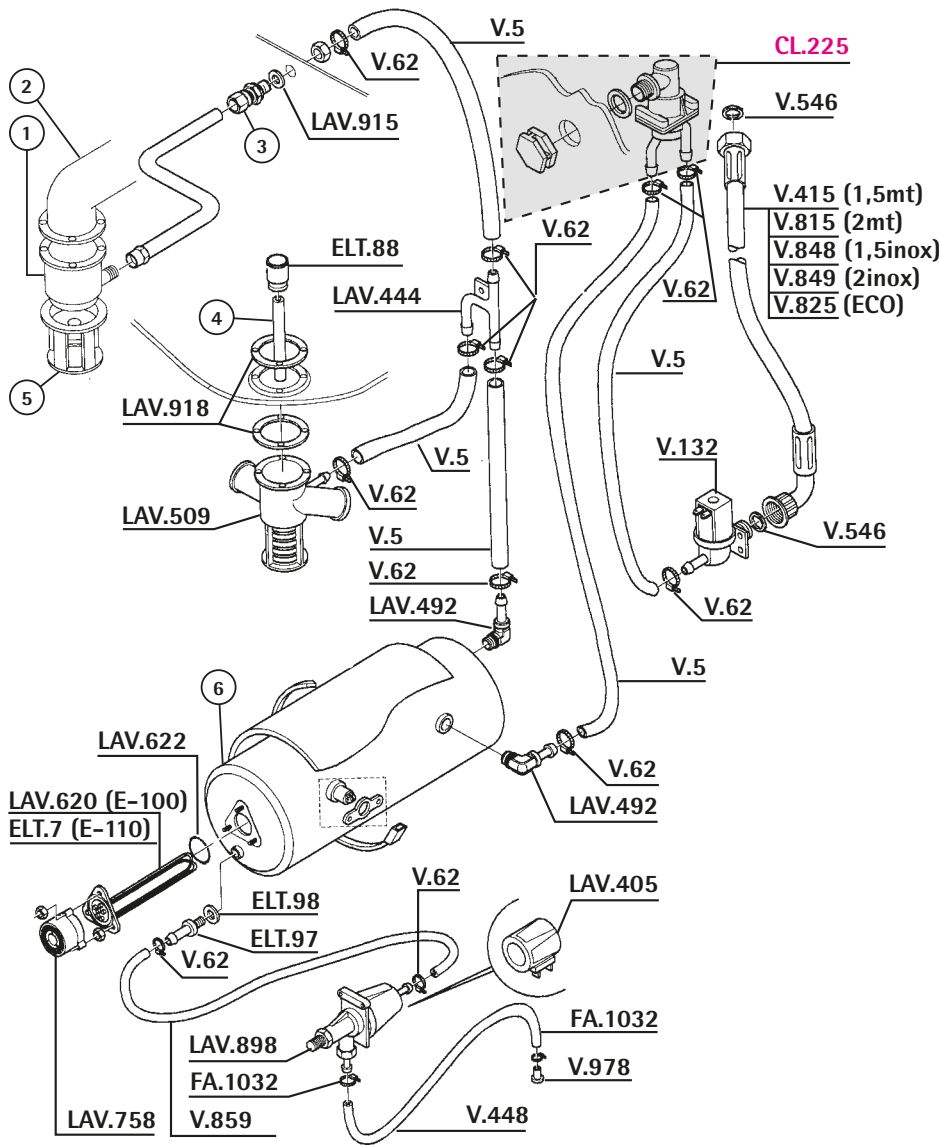
REF.	DESCRIPCIÓN	DESCRIPTION
CL.342	FILTRO ANTIPARASITARIO	ANTIPARASITIC FILTER
ELT.3	TERMOSTATO 3 CONTACTOS 55°C	55°C 3 CONTACTS THERMOSTAT
ELT.4	TERMOSTATO 3 CONTACTOS 90°C	90°C 3 CONTACTS THERMOSTAT
ELT.5	ARANDELA BULBO	BULB WASHER
ELT.6	TUERCA BULBO	BULB NUT
ELT.65	TEMPORIZADOR ELECTRONICO	ELECTRONIC TIMER
ELT.66	PROGRAMADOR	TIMER
ELT.67	CONMUTADOR 5 POSICIONES	5 POSITIONS SWITCH
ELT.68	MANDO CONMUTADOR	SWITCH HANDLE
ELT.69	PILOTO	LAMP
ELT.70	FUNDA PILOTO	LAMP COVER
K.131	RELE 16A 220V	10A 220V RELAY
LAV.410	PULSANTE AZUL	BLUE PUSH
LAV.411	CUERPO PULSANTE L.36	L.36 PUSH BODY
LAV.412	PULSANTE START	START PUSH
LAV.413	CUERPO PULSANTE START	START PUSH BODY
LAV.417	CUERPO PULSANTE L.36	L.36 PUSH BODY
LAV.429	PILOTO CON CABLE 6mm	WITCH WIRING LAMP
LAV.959	CONMUTADOR DOBLE	DOUBLE SWITCH

REF.	DESCRIPCIÓN	DESCRIPTION
AZ..36	TORICA GOMA	EPDM RING
CL.251	RESISTENCIA 3000W 230V	RESISTANCE 3000W 230V
DH.231	PESO FILTRO	FILTER FITTING
ELT.21	PRESOSTATO	PRESSURE SWITCH
ELT.45	CAMARA PRESOSTATICA	PRESSURE SWITCH CHAMBER
ELT.153	BOMBA DESAGÜE	OUTLET PUMP
FA1032	BRIDA	CLASP
H25807	ABRAZADERA 25-40	25-40 CLAMP
LAV498	RACOR T	T FITTING
LAV540	FILTRO 22F-R	22F-R FILTER
LAV657	RACOR CAMPANA	PRESSURE SWITCH FITTING
LAV659	JUNTA GOMA	RUBBER GASKET
LAV921	FILTRO BOMBA	PUMP FILTER
LAV922	GUIA DESAGÜE	DRAIN GUIDE
LAV923	TORICA DESAGÜE	DRAIN RING
LAV924	COLECTOR LAVADO	WASHING COLLECTOR
LAV928	SOBRENIVEL 22F	22F OVERFLOW
LAV944	CAMARA PRESOSTATICA	PRES.SWITCH CHAMBER
M..175	TORICA GOMA	RUBBER GASKET
V...30	RACOR ENTRADA JABON	INLET SOAP FITTING
V...75	DOSIF.PERISTALTICO REGULA	ADJUSTABLE DOSIMETER
V..201	TUBO DESAGÜE 28mm. 1.5mt.	28mm. 1.5mt. OUTLET PIPE
V..206	TUBO DESAGÜE CON CODO	WITH ELBOW OUTLET PIPE
V..448	TUBO PRESOSTATO-METRO 4X6	4X6 PRE.SWITCH INLET PIPE
V..973	DOSIFICADOR PERISTALTICO INTER	INTERNAL PERISTALTIC DOS.
V..978	FILTRO DOSIFICADOR	DOSIMETER FILTER
V..980	RACOR ENTRADA JABON LARGO	LONG INLET FITTING

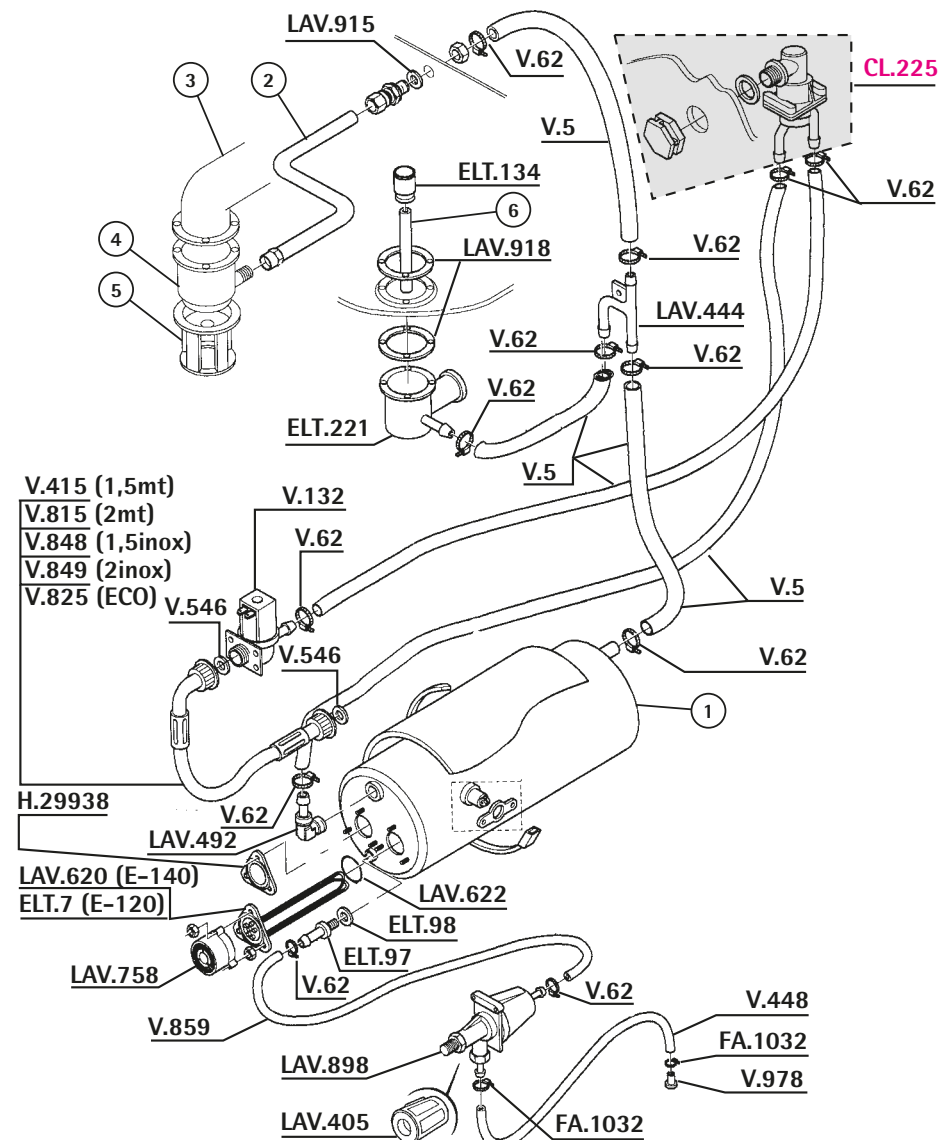


REF.	DESCRIPCIÓN	DESCRIPTION
AZ..36	TORICA GOMA	EPDM RING
CL.251	RESISTENCIA 3000W 230V	RESISTANCE 3000W 230V
DH.231	PESO FILTRO	FILTER FITTING
ELT.22	PRESOSTATO 180/70	180/70 PRESSURE SWITCH
ELT.45	CAMARA PRESOSTATICA	PRESSURE SWITCH CHAMBER
ELT.60	BOMBA DESAGÜE 230V/100W	230V/100W OUTLET PUMP
FA1031	ABRAZADERA INOX 8-16	8-16 INOX CLAMP
FA1032	BRIDA	CLASP
H25807	ABRAZADERA 25-40	25-40 CLAMP
LAV467	JUNTA GOMA	RUBBER GASKET
LAV498	RACOR T	T FITTING
LAV657	RACOR CAMPANA	PRESSURE SWITCH FITTING
LAV659	JUNTA GOMA	RUBBER GASKET
LAV944	CAMARA PRESOSTATICA	PRES.SWITCH CHAMBER
M..175	TORICA GOMA EPDM	RUBBER RING
V...30	RACOR ENTRADA JABON	INLET SOAP FITTING
V...75	DOSIF.PERISTALTICO REGULA	ADJUSTABLE DOSIMETER
V..206	TUBO DESAGÜE CON CODO	WITH ELBOW OUTLET PIPE
V..448	TUBO PRESOSTATO-METRO 4X6	4X6 PRE.SWITCH INLET PIPE
V..973	DOSIFICADOR PERISTALTICO INTER	INTERNAL PERISTALTIC DOS.
V..978	FILTRO DOSIFICADOR	DOSIMETER FILTER
V..980	RACOR ENTRADA JABON LARGO	LONG INLET FITTING



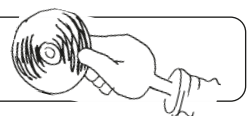


REF.	DESCRIPCIÓN	DESCRIPTION
CL.225	RACOR	FITTING
ELT.7	RESISTENCIA 8000W 230/400V	8000W 230/400V RESISTANCE
ELT.88	SERVIR ELT134	INSERT
ELT.97	RACOR ENTRADA ABRILLANTADOR	RINSE AID INLET FITTING
ELT.98	JUNTA	GASKET
FA1032	BRIDA	CLASP
LAV405	BOBINA 220/240V 50HZ	220/240V 50HZ COIL
LAV444	RACOR 3 VIAS	3 WAYS FITTING
LAV492	CODO	ELBOW
LAV509	COLECTOR INFERIOR	LOWER COLLECTOR
LAV620	RESISTENCIA CALDER. 4500W 230V	BOILER RESISTANCE 4500W 230V
LAV622	TORICA RESISTENCIA GOMA	RESISTANCE RUBBER RING
LAV758	PROTECTOR RESISTENCIA	RESISTANCE PROTECTOR
LAV898	DOSIFICADOR ABRILLANTADOR	RINSE AID DOSIMETER
LAV915	JUNTA CALDERIN ALIMENTAR.	BOILER ALIMENTARY GASKET
LAV918	JUNTA COLECTOR INFERIOR GOMA	RUBBER GASKET
V....5	TUBO GOMA 10X16 20 ATM	20ATM 10X17 RUBBER PIPE
V..62	ABRAZADERA 12-20	12-20 CLAMP
V.132	ELECTROVAL.1 VIA LAV.220V	WASH 1 WAY 220V SOLENOID
V.415	TOMA LAVADORA 1,5M	QUALITY 1.5M.INLET W.FLEX
V.448	TUBO PRESOSTATO-METRO 4X6	4X6 PRE.SWITCH INLET PIPE
V.546	JUNTA GOMA 3/4	WATER INLET RUBBER GASKET
V.815	TOMA LAVADORA 2 METROS	2 MT.INLET WATER FLEXIBLE
V.825	TOMA LAVADORA 1.5 «ECO»	«ECO»1.5M INLET WA.FLEXIB
V.848	TOMA LAVADORA 1.5M INOX	INOX 1.5M INLET WATER FL.
V.849	TOMA LAV.INOX 2MT.3/4X3/4	INOX 2MT.INLET WATER FLE.
V.859	TUBO GOMA 6X12mm 20ATM	20 ATM 6X12mm RUBBER PIPE
V.978	FILTRO DOSIFICADOR	DOSIMETER FILTER

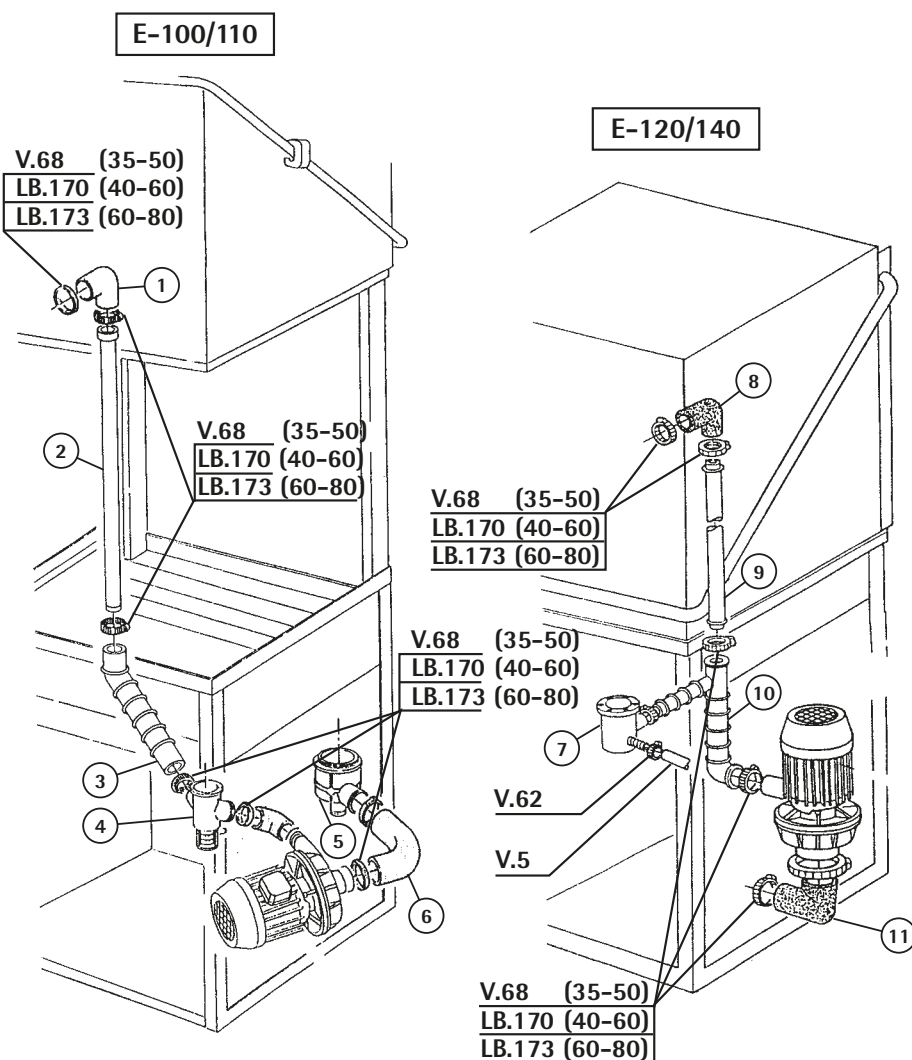


REF.	DESCRIPCIÓN	DESCRIPTION
CL.225	RACOR	FITTING
ELT.7	RESISTENCIA 8000W 230/400V	8000W 230/400V RESISTANCE
ELT.97	RACOR ENTRADA ABRILLANTADOR	RINSE AID INLET FITTING
ELT.98	JUNTA	GASKET
ELT.134	INSERTO	INSERT
ELT221	COLECTOR	COLLECTOR
FA1032	BRIDA	CLASP
H29938	JUNTA RESISTENCIA	RESISTANCE GASKET
LAV405	BOBINA 220/240V 50HZ	220/240V 50HZ COIL
LAV444	RACOR 3 VIAS	3 WAYS FITTING
LAV492	CODO	ELBOW
LAV509	COLECTOR INFERIOR	LOWER COLLECTOR
LAV620	RESISTENCIA CALDER. 4500W 230V	BOILER RESISTANCE 4500W 230V
LAV622	TORICA RESISTENCIA GOMA	RESISTANCE RUBBER RING
LAV758	PROTECTOR RESISTENCIA	RESISTANCE PROTECTOR
LAV898	DOSIFICADOR ABRILLANTADOR	RINSE AID DOSIMETER
LAV915	JUNTA CALDERIN ALIMENTAR.	BOILER ALIMENTARY GASKET
LAV918	JUNTA COLECTOR INFERIOR GOMA	RUBBER GASKET
V....5	TUBO GOMA 10X16 20 ATM	20ATM 10X17 RUBBER PIPE
V..62	ABRAZADERA 12-20	12-20 CLAMP
V.132	ELECTROVAL.1 VIA LAV.220V	WASH 1 WAY 220V SOLENOID
V.415	TOMA LAVADORA 1,5M	QUALITY 1.5M.INLET W.FLEX
V.448	TUBO PRESOSTATO-METRO 4X6	4X6 PRE.SWITCH INLET PIPE
V.546	JUNTA GOMA 3/4	WATER INLET RUBBER GASKET
V.815	TOMA LAVADORA 2 METROS	2 MT.INLET WATER FLEXIBLE
V.825	TOMA LAVADORA 1.5 «ECO»	«ECO»1.5M INLET WA.FLEXIB
V.848	TOMA LAVADORA 1.5M INOX	INOX 1.5M INLET WATER FL.
V.849	TOMA LAV.INOX 2MT.3/4X3/4	INOX 2MT.INLET WATER FLE.
V.859	TUBO GOMA 6X12mm 20ATM	20 ATM 6X12mm RUBBER PIPE
V.978	FILTRO DOSIFICADOR	DOSIMETER FILTER

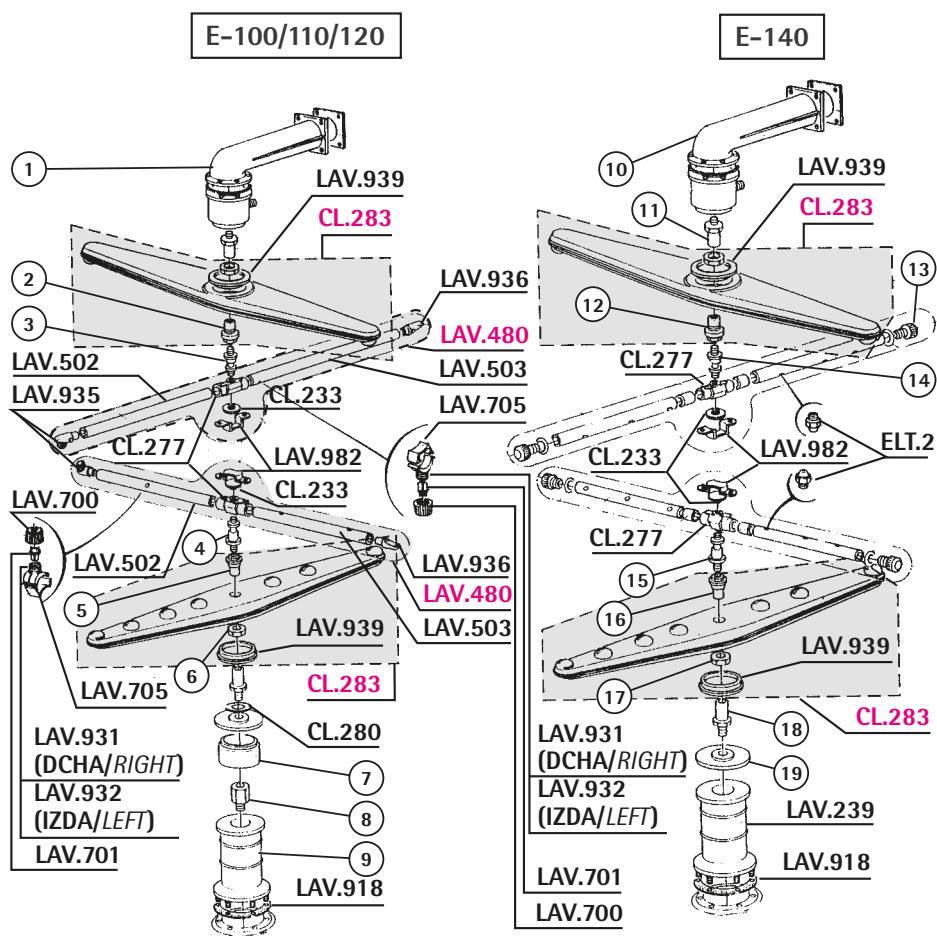
Order our free DVD, include all ours catalogues. More than 50.000 codes.



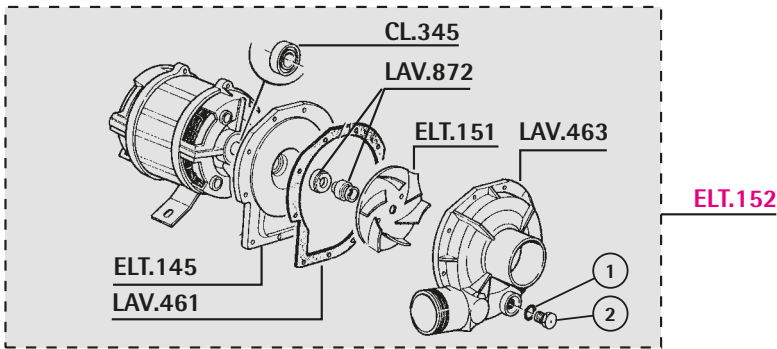
REF.	DESCRIPCIÓN	DESCRIPTION
LB.170	ABRAZADERA 40-60	40-60 CLAMP
LB.173	ABRAZADERA 60-80	60-80 CLAMP
V...5	TUBO GOMA 10X16 20 ATM	20ATM 10X17 RUBBER PIPE
V...62	ABRAZADERA 12-20	12-20 CLAMP
V...68	ABRAZADERA 32-50	35-50 CLAMP



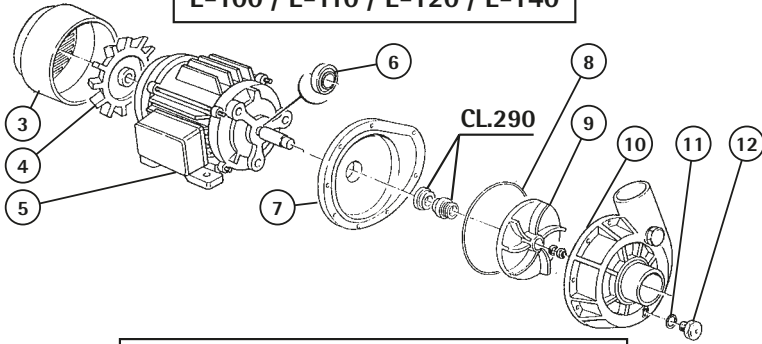
REF.	DESCRIPCIÓN	DESCRIPTION
CL.233	TUERCA INOX	INOX NUT
CL.277	UNION	JUNCTION
CL.280	ARANDELA	WASHER
CL.283	GIRANTE LAVADO	WASHING GYRATORY
ELT.2	ROCIADOR ACLARADO	RINSE SPRAY
LAV.239	RACOR CENTRAL INFERIOR	LOWER CENTRAL FITTING
LAV.480	GIRATORIO ACLARADO	RINSE GYRATORY
LAV.502	BRAZO ACLARADO 1 SALIDA	1 EXIT RINSE ARM
LAV.503	BRAZO ACLARADO 2 SALIDAS	2 EXIT RINSE ARM
LAV.700	TUERCA ACLARADO	RINSE NUT
LAV.701	TAPON ACLARADO	RINSING CAP
LAV.705	MUELLE FIJA SURTIDOR	SPRING
LAV.918	JUNTA COLECTOR INFERIOR GOMA	RUBBER GASKET
LAV.931	PORTA SURTIDOR GRANDE DCHA	RIGH WATER SPOUT HOLDER
LAV.932	PORTA SURTIDOR GRANDE IZD	LEFT WATER SPOUT HOLDER
LAV.935	TERMINAL BRAZO ACLARADO	RINSE ARM TERMINAL
LAV.936	TERMINAL CIEGO BRAZO ACL.	RINSE ARM TERMINAL
LAV.939	CASQUILLO BRAZO LAV.PEQ.	WASHING PIPE CAP
LAV.982	TAPON COLECTOR 35-350F	35-350F COLLECTOR CAP



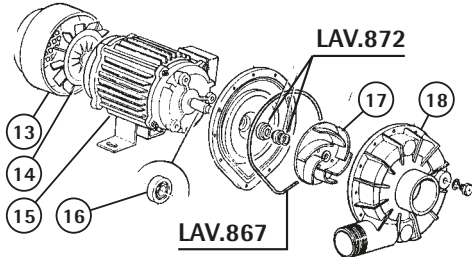
E-100 DESDE/FROM SERIE N° 906864



E-100 / E-110 / E-120 / E-140

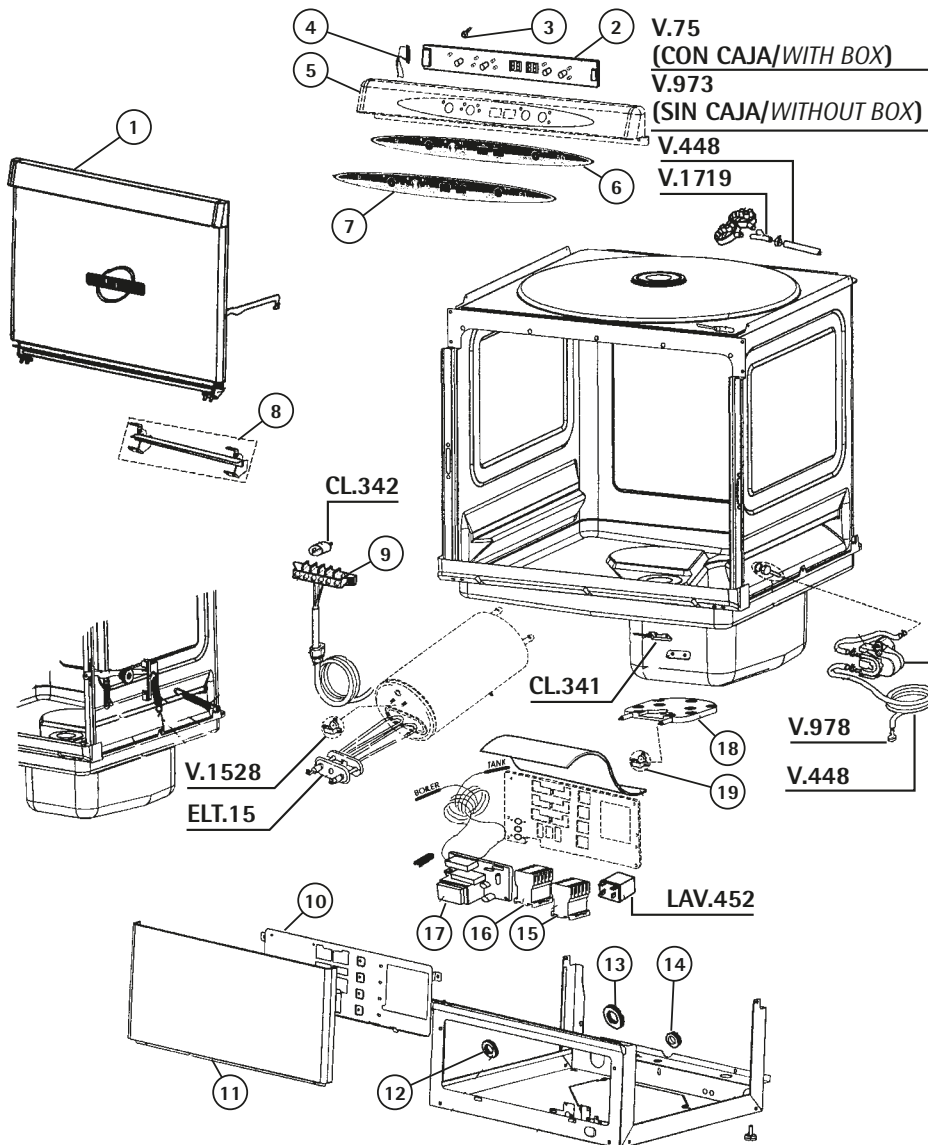


E-120 DESDE/FROM SERIE N° 906813
E-140 DESDE/FROM SERIE N° 907059



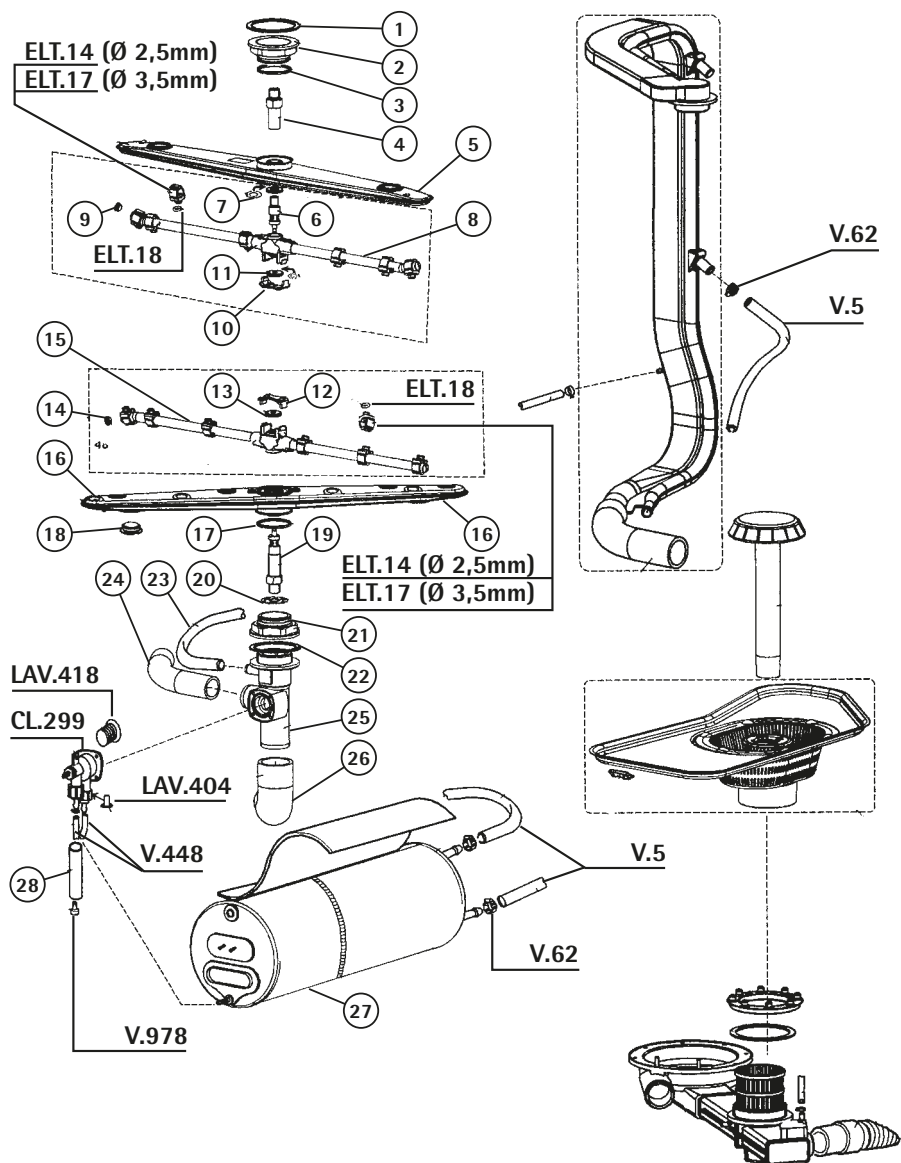
REF.	DESCRIPCIÓN	DESCRIPTION
CL.290	RETEN	MECHANICAL SEAL
CL.345	COJINETE	BALL BEARING
ELT145	BASE MOTOR B.237/4223	B.237/4223 MOTOR BASE
ELT151	TURBINA MOTOR E-60	E-60 MOTOR TURBINE
ELT152	BOMBA E-60/E-100	E-60/100 PUMP
LAV461	JUNTA TAPA BOMBA	PUMP COVER GASKET
LAV463	TAPA BOMBA 22F/E-60/100	22F MOTOR LID
LAV867	JUNTA TAPA BOMBA GOMA	PUMP COVER RUBBER GASKET
LAV872	RETEN EJE MOTOR	MECHANICAL SEAL

Carrocería / Componentes eléctricos RIVER 50 / 61 ■ RIVER 50 / 61 Electric components / Bodywork

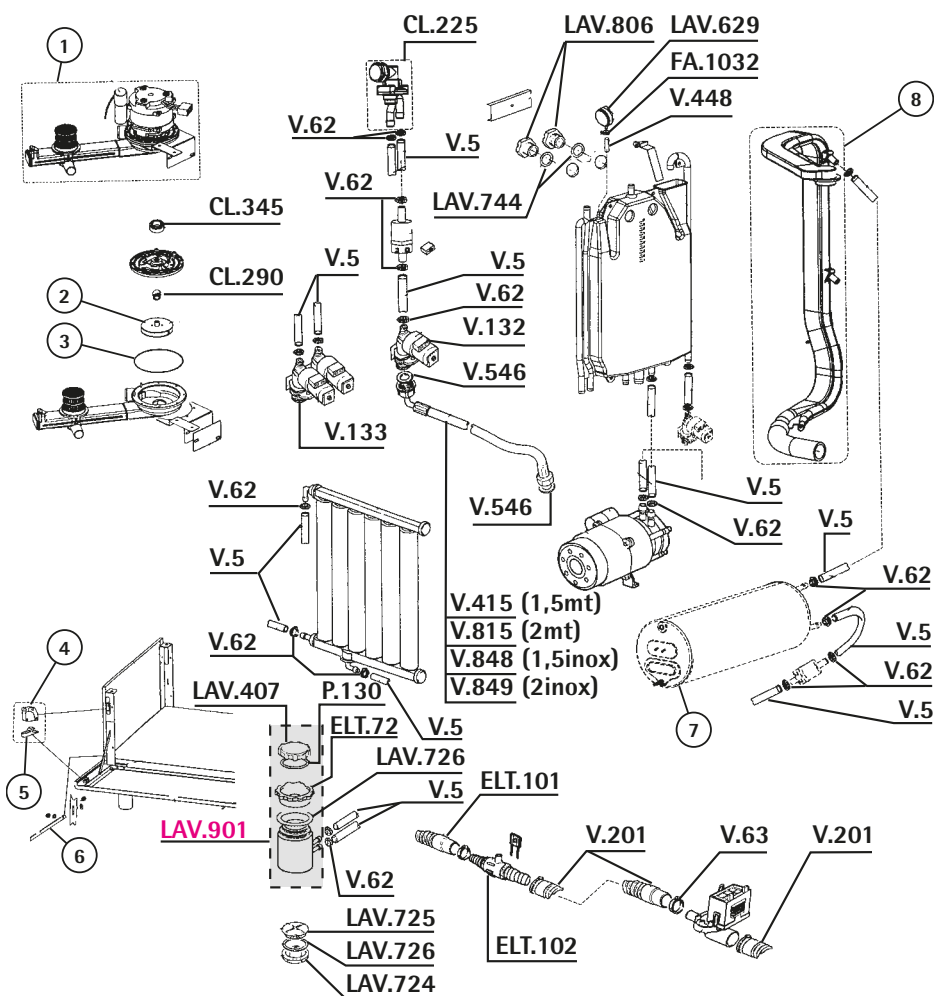


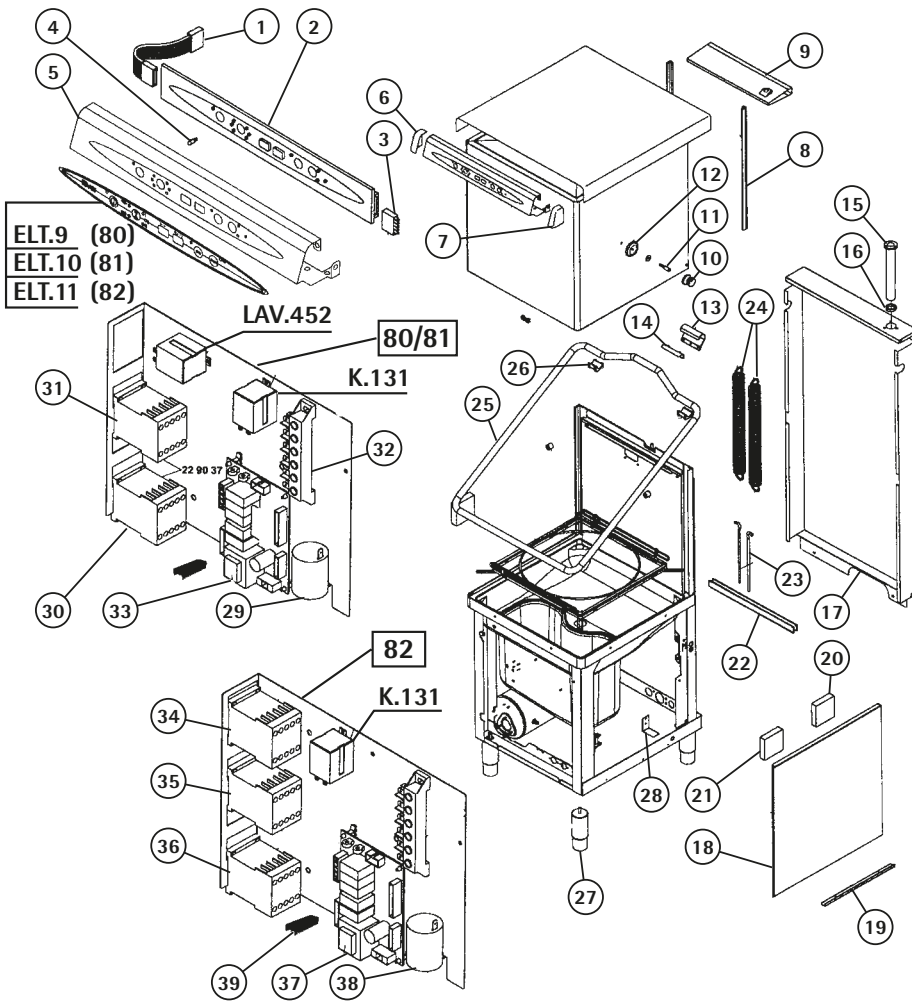
REF.	DESCRIPCIÓN	DESCRIPTION
CL.341	IMAN	MAGNET
CL.342	FILTRO ANTIPARASITARIO	ANTIPARASITIC FILTER
ELT.15	RESIST.CALDERIN 7600W 400V	7600W 400V BOILER RESISTANCE
LAV452	RELE 65.31 230/50HZ	65.31 230/50HZ RELAY
V..75	DOSIF.PERISTALTICO REGULA	ADJUSTABLE DOSIMETER
V.448	TUBO PRESOSTATO-METRO 4X6	4X6 PRE.SWITCH INLET PIPE
V.973	DOSIFICADOR PERISTALTICO INTER	INTERNAL PERISTALTIC DOS.
V.978	FILTRO DOSIFICADOR	DOSIMETER FILTER
V.1528	TERM.LISO 110j C SEGURIDAD	110j C SAFETY SMOOTH THERMOSTAT
V.1719	RACOR PRESOSTATO Y	Y PRESSURE SWITCH FITTING

REF.	DESCRIPCIÓN	DESCRIPTION
CL.299	DOSIFICADOR HIDRAULICO	HIDRAULIC DOSIMETER
ELT.14	ROCIADOR ACLARADO	RINSE SPRAY
ELT.17	ROCIADOR ACLARADO D.3,5mm	D.3,5mm RINSE SPRAY
ELT.18	TORICA	RING
LAV404	VALVULA ASPIRACION	SUCTION VALVE
LAV418	MEMBRANA DOSIFICADOR	DOSIMETER MEMBRANE
V...5	TUBO GOMA 10X16 20 ATM	20ATM 10X17 RUBBER PIPE
V...62	ABRAZADERA 12-20	12-20 CLAMP
V.448	TUBO PRESOSTATO-METRO 4X6	4X6 PRE.SWITCH INLET PIPE
V.978	FILTRO DOSIFICADOR	DOSIMETER FILTER

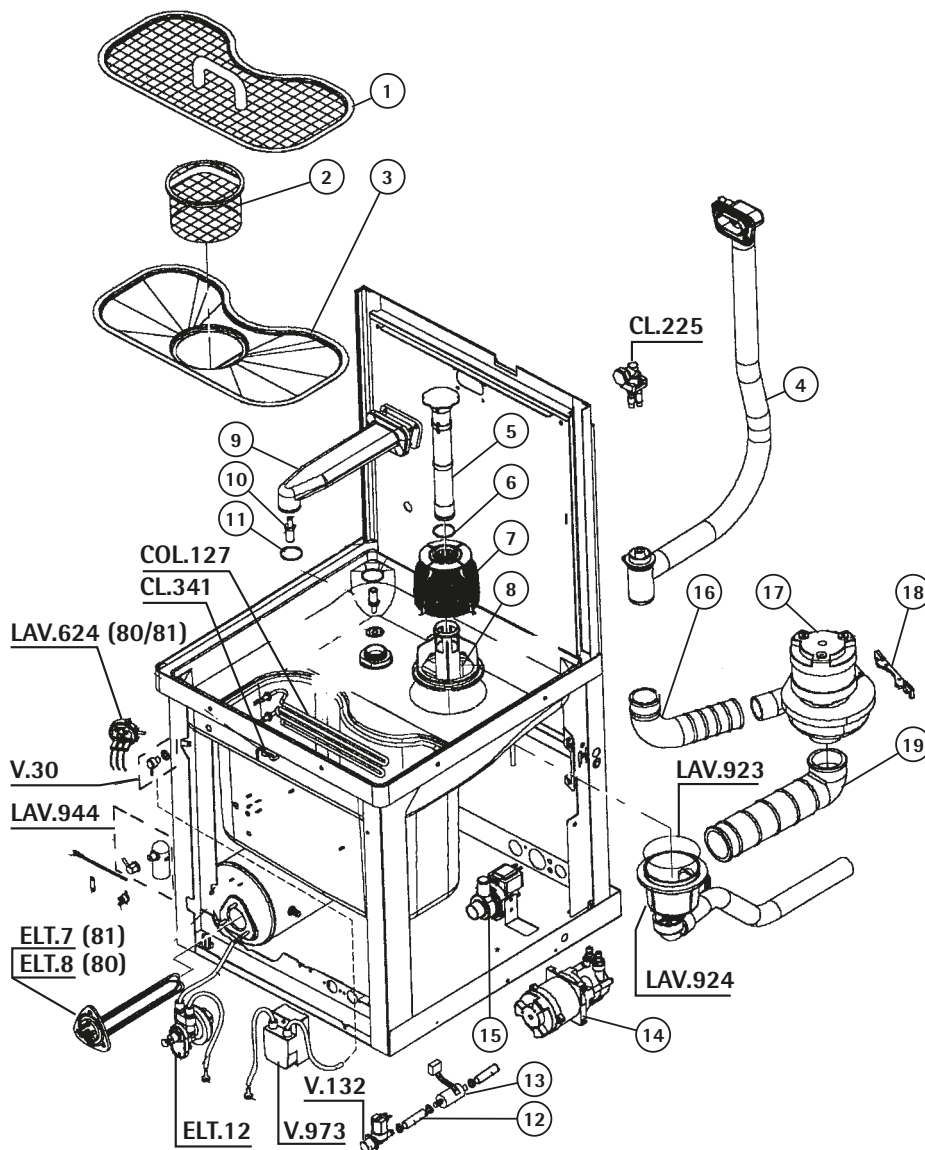


REF.	DESCRIPCIÓN	DESCRIPTION
CL.225	RACOR	FITTING
CL.290	RETEN	MECHANICAL SEAL
CL.345	COJINETE	BALL BEARING
ELT.72	RACOR	FITTING
ELT101	TUBO DESAGÜE	OUTLET PIPE
ELT102	VALVULA DESAGÜE	OUTLET VALVE
FA1032	BRIDA	CLASP
LAV407	TAPON DEPOSITO SAL	SALT TANK CAP
LAV629	PRESOSTATO SAL.HOR.35/17	35/17 HORIZ.PRESS.SWITCH
LAV724	TUERCA DEPOSITO SAL	SALT CONTAINER NUT
LAV725	TAPON BOTELLA SAL	SALT BOTTLE CAP
LAV726	JUNTA GOMA BOTELLA SAL	BOTTLE SALT RUBBER GASKET
LAV744	JUNTA SOPORTE ALIMENTARIA	SUPPORT KLINGERIT GASKET
LAV806	SOPORTE DESAGÜE	INLET SUPPORT
LAV901	DEPOSITO SAL COMPLETO	SALT CONTAINER
P.130	TORICA EPDM	RING
V...5	TUBO GOMA 10X16 20 ATM	20ATM 10X17 RUBBER PIPE
V...62	ABRAZADERA 12-20	12-20 CLAMP
V...63	ABRAZADERA 20-32	20-32 CLAMP
V.132	ELECTROVAL.1 VIA LAV.220V	WASH 1 WAY 220V SOLENOID
V.133	ELECTROVAL.2 VIA LAV.220V	WASH 2 WAYS 220V SOLENOID
V.201	TUBO DESAGÜE 28mm. 1,5mt.	28mm. 1.5mt OUTLET PIPE
V.415	TOMA LAVADORA 1,5M	QUALITY 1.5M.INLET W.FLEX
V.448	TUBO PRESOSTATO-METRO 4X6	4X6 PRE.SWITCH INLET PIPE
V.546	JUNTA GOMA 3/4	WATER INLET RUBBER GASKET
V.815	TOMA LAVADORA 2 METROS	2 MT.INLET WATER FLEXIBLE
V.848	TOMA LAVADORA 1.5M INOX	INOX 1.5M INLET WATER FL.
V.849	TOMA LAV.INOX 2MT.3/4X3/4	INOX 2MT.INLET WATER FLE.



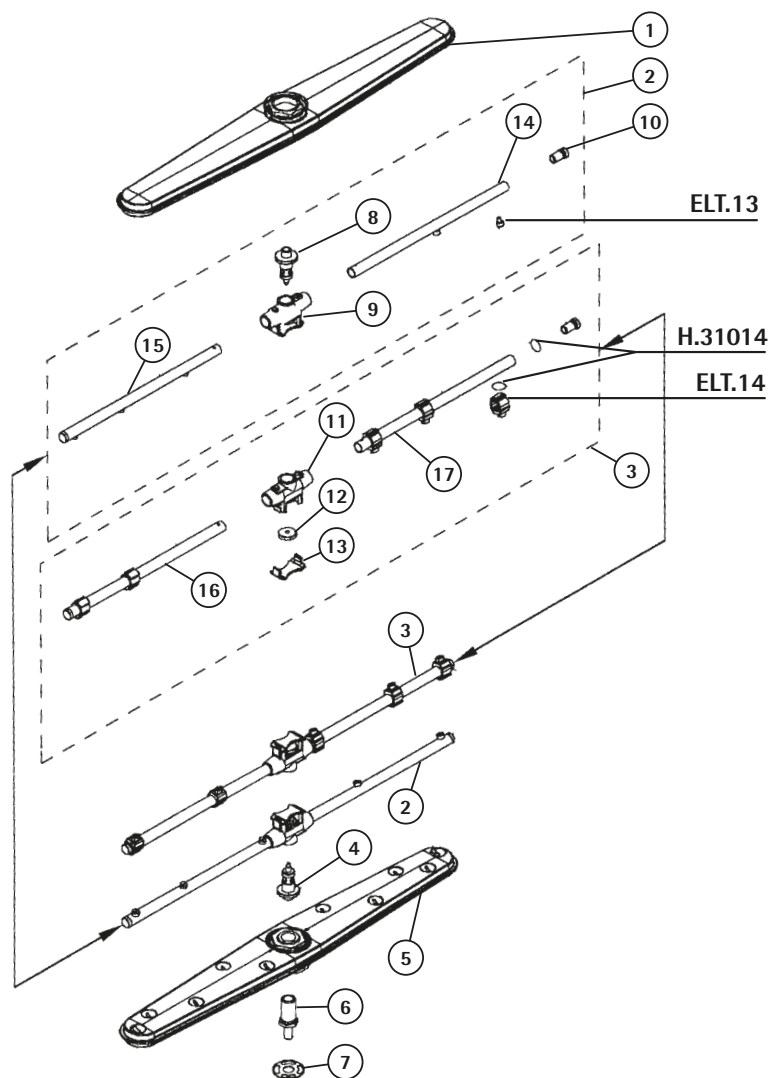


REF.	DESCRIPCIÓN	DESCRIPTION
ELT.9	ADHESIVO BOTONERA RIVER 80	RIVER 80 D.DEVICE STICKER
ELT.10	ADHESIVO BOTONERA RIVER 81	RIVER 81 D.DEVICE STICKER
ELT.11	ADHESIVO BOTONERA RIVER 82	RIVER 82 D.DEVICE STICKER
K.131	RELE 16A 220V	10A 220V RELAY
LAV452	RELE 65.31 230/50HZ	65.31 230/50HZ RELAY

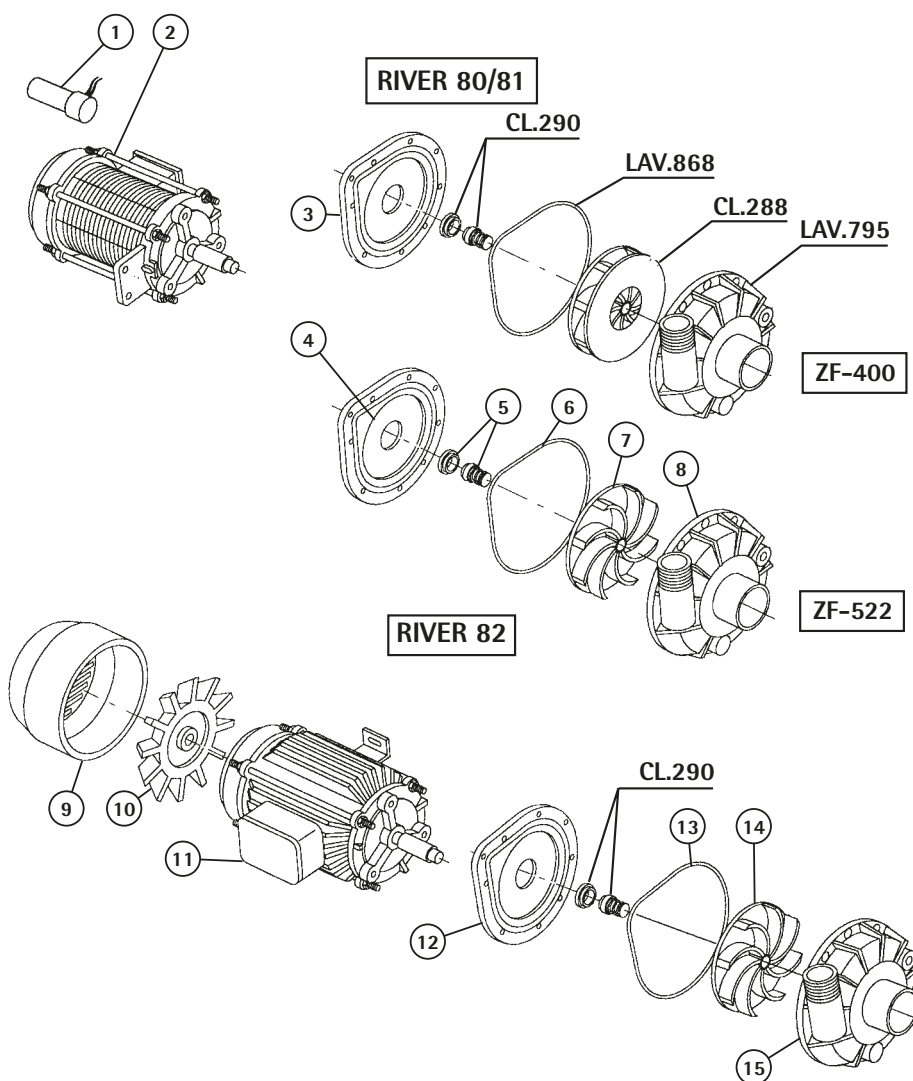


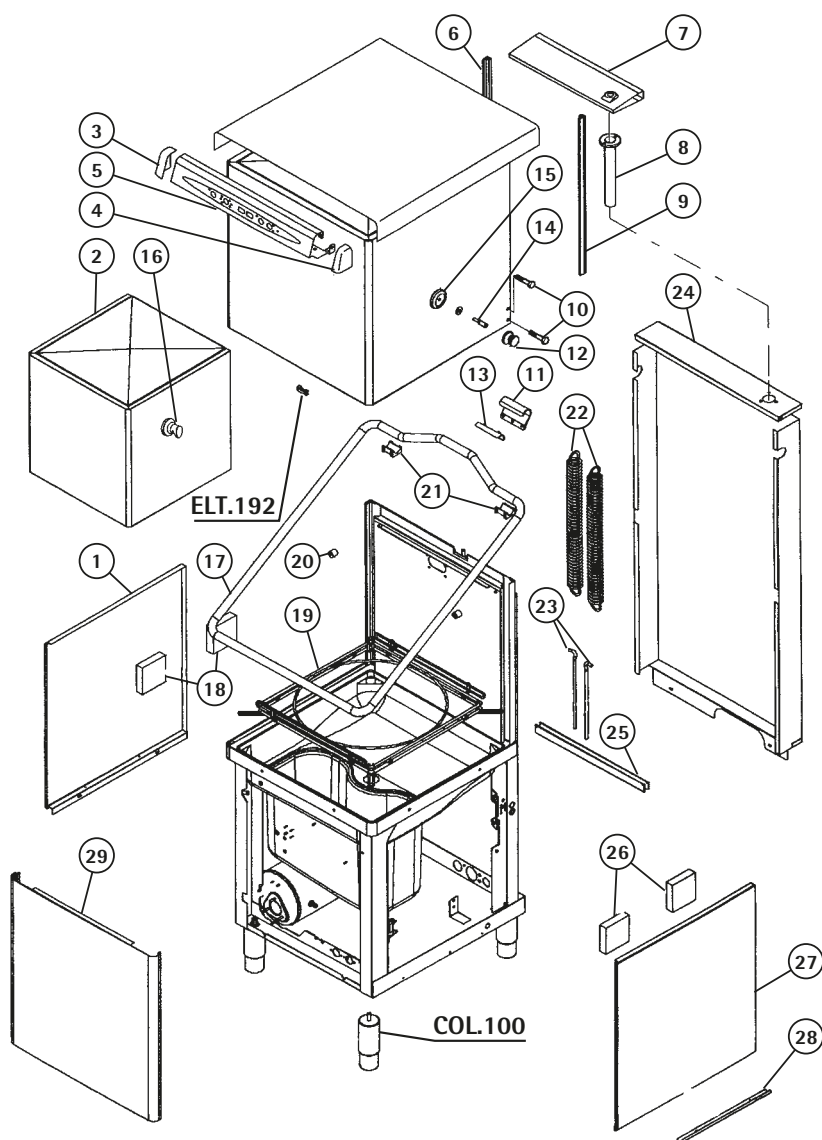
REF.	DESCRIPCIÓN	DESCRIPTION
CL.225	RACOR	FITTING
CL.341	IMAN	MAGNET
COL127	RESISTENCIA CUBA	TANK RESISTANCE
ELT.7	RESISTENCIA 8000W 230/400V	8000W 230/400V RESISTANCE
ELT.8	RESISTENCIA 6000W 230V	6000W 230V RESISTANCE
ELT.12	DOSIFICADOR ABRILLANTADOR	RINSE AID DOSIMETER
LAV624	PRESOSTATO SAL.HOR.110/60	110/60 HORIZ.PRESS.SWITCH
LAV923	TORICA DESAGÜE	DRAIN RING
LAV924	COLECTOR LAVADO	WASHING COLLECTOR
LAV944	CAMARA PRESOSTATICA	PRES.SWITCH CHAMBER
V...30	RACOR ENTRADA JABON	INLET SOAP FITTING
V.132	ELECTROVAL.1 VIA LAV.220V	WASH 1 WAY 220V SOLENOID
V.973	DOSIFICADOR PERISTALTICO INTER	INTERNAL PERISTALTIC DOS.

REF.	DESCRIPCIÓN	DESCRIPTION
ELT.13	ROCIADOR LAVADO	WASH SPRAY
ELT.14	ROCIADOR ACLARADO	RINSE SPRAY
H31014	TORICA CIERRE	CLOSING RING



REF.	DESCRIPCIÓN	DESCRIPTION
CL.288	GIRANTE	GYRATORY
CL.290	RETEN	MECHANICAL SEAL
LAV795	CUERPO BOMBA	PUMP BODY
LAV868	TORICA TAPA BOMBA GOMA	PUMP COVER RUBBER RING

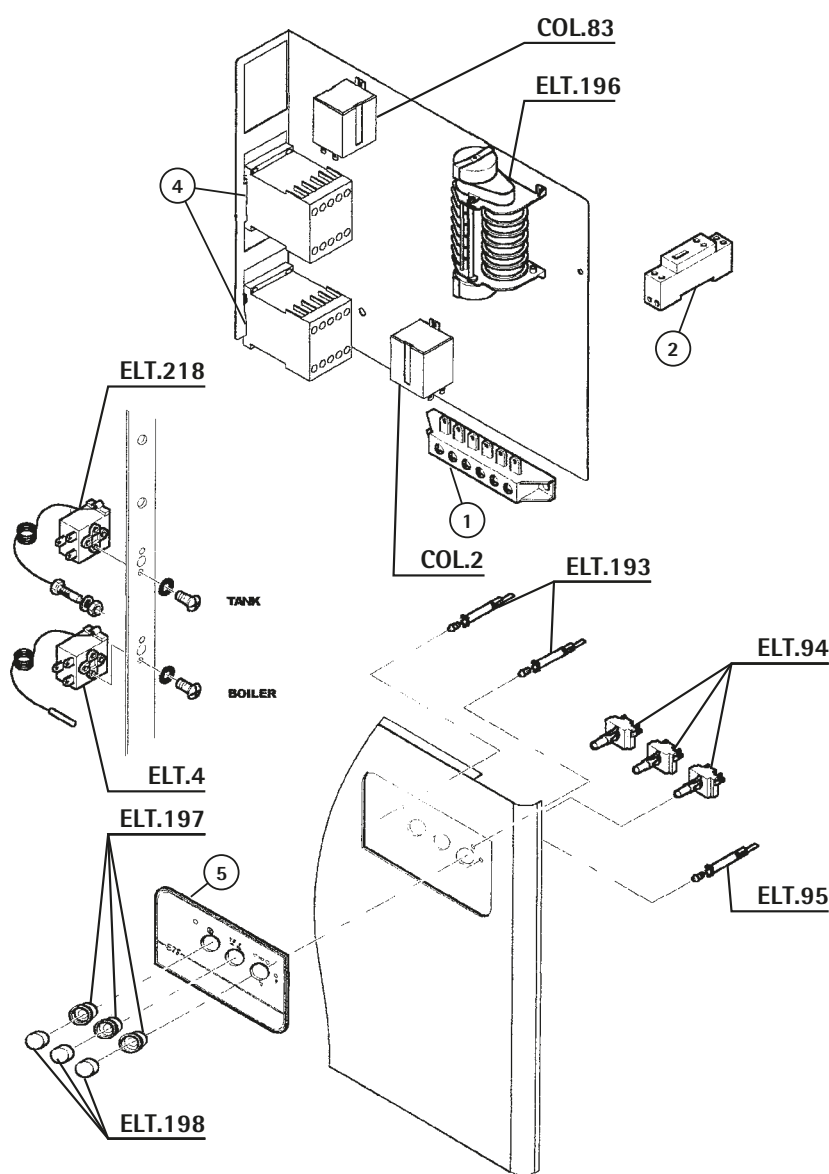




REF.	DESCRIPCIÓN	DESCRIPTION
COL100	PATA REGULABLE	FOOT
ELT192	MICRO CAPOTA	MICROSWITCH

Panel de mandos / Panel de control E78 4/2004 ■ E78 4/2004 Control panel / Handle Panel

Lavavajillas
Dishwashers



REF.	DESCRIPCIÓN	DESCRIPTION
COL.2	RELE	RELAY
COL.83	RELE	RELAY
ELT.4	TERMOSTATO 3 CONTACTOS 90°C	90°C 3 CONTACTS THERMOSTAT
ELT.94	BOMBA AUMENTO PRESION	PRESSURE PUMP
ELT.95	FILTRO	FILTER
ELT.193	PILOTO	PILOT
ELT.196	PROGRAMADOR E78	E78 TIMER
ELT.197	SOPORTE INTERRUPTOR	SWITCH SUPPORT
ELT.198	BOTON INTERRUPTOR	SWITCH BUTTON
ELT.218	TERMOSTATO TANQUE	TANK THERMOSTAT

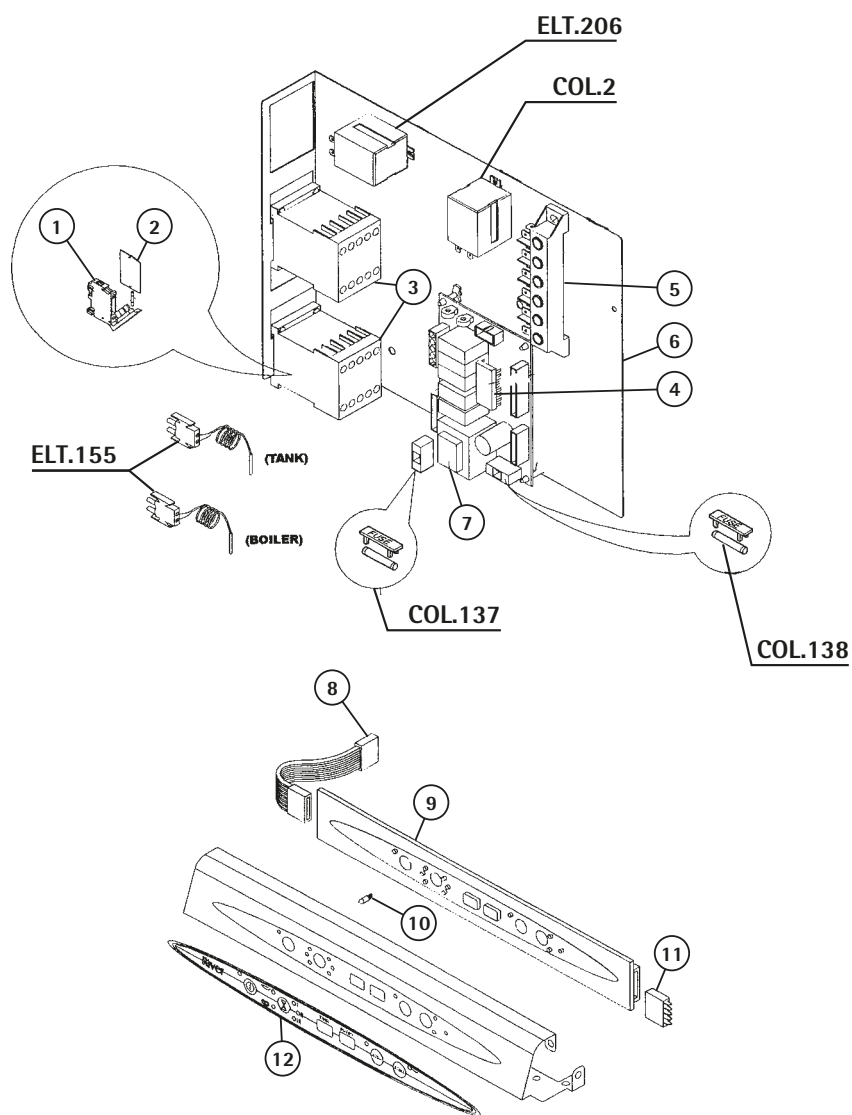
Lavavajillas
Dishwashers

ascaso

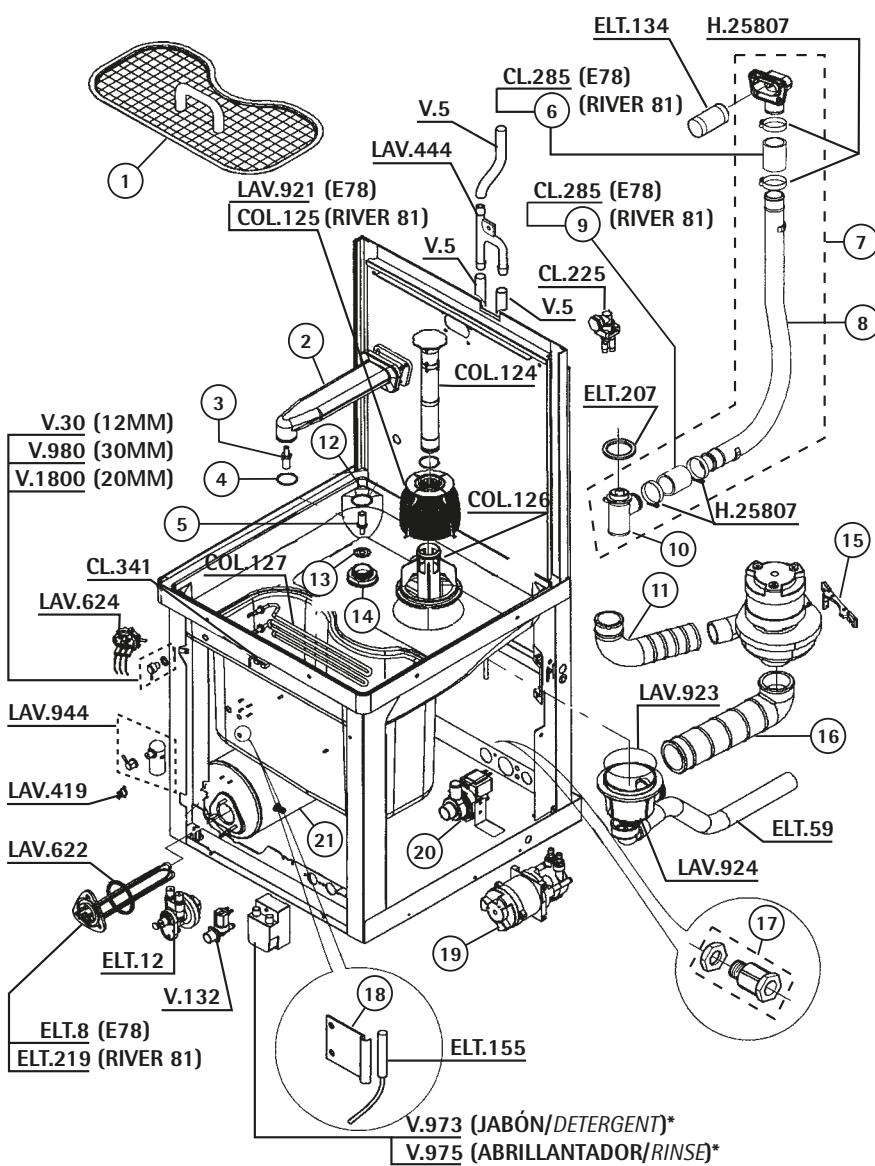


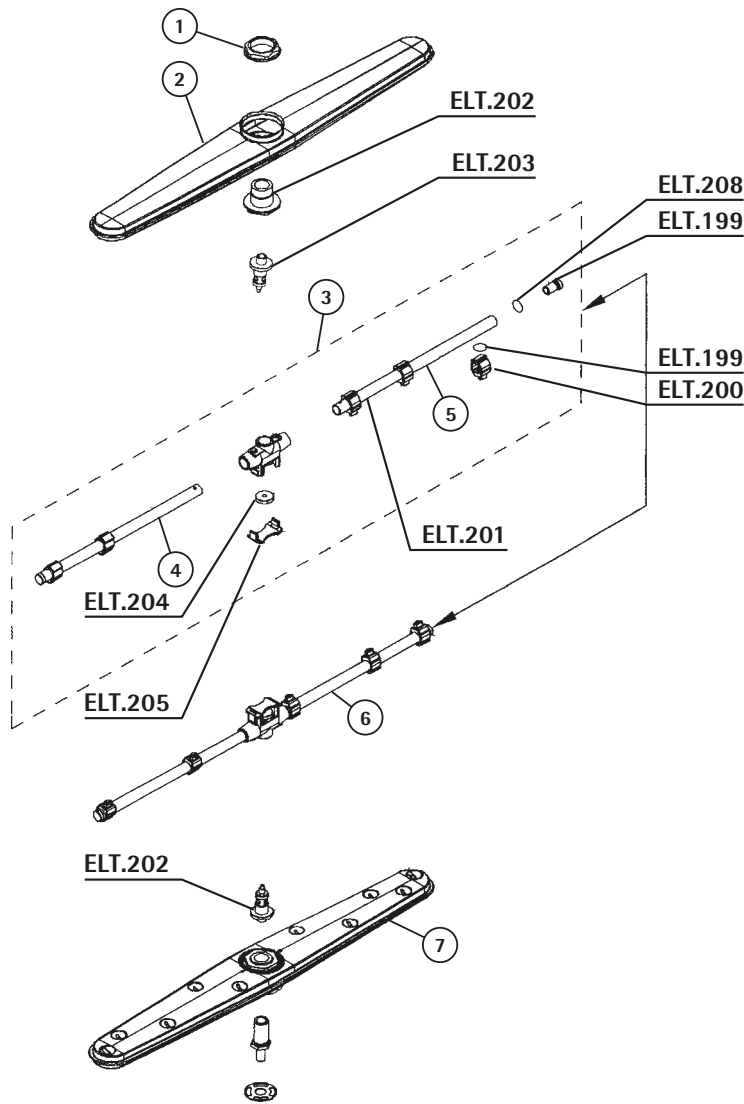
Ahorre tiempo y dinero.
Pida el recambio a ascaso.

REF.	DESCRIPCIÓN	DESCRIPTION
COL..2	RELE	RELAY
COL137	FUSIBLE 315MA	FUSE 315MA
COL138	FUSIBLE 800MA	FUSE 800MA
ELT155	SONDA TEMPERATURA RIVER 80	RIVER 80 TEMPERATURE PROBE
ELT206	RELE	RELAY



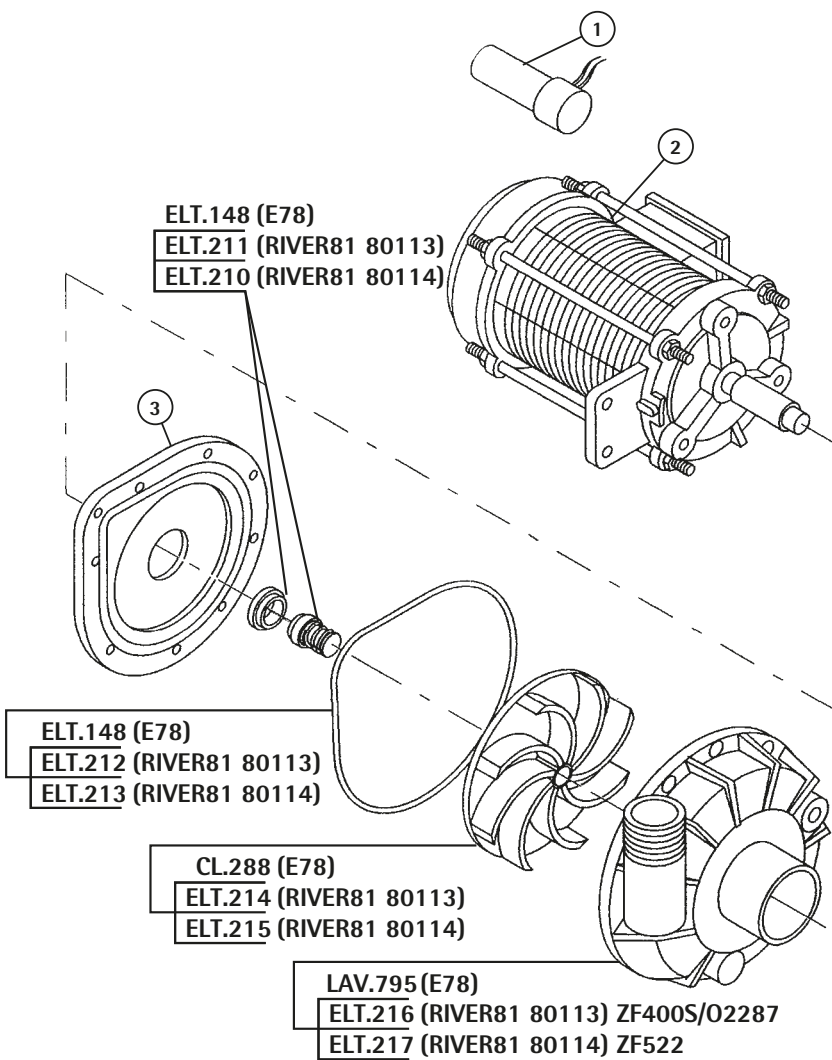
REF.	DESCRIPCIÓN	DESCRIPTION
CL.225	RACOR	FITTING
CL.285	MANGUITO INFERIOR	LOWER SLEEVE
CL.341	IMAN	MAGNET
COL124	SOBRENIVEL	OVERFLOW
COL125	FILTRO	FILTER
COL126	BASE FILTRO	FILTER BASE
COL127	RESISTENCIA CUBA	TANK RESISTANCE
ELT.8	RESISTENCIA 6000W 230V	6000W 230V RESISTANCE
ELT.12	DOSIFICADOR ABRILLANTADOR	RINSE AID DOSIMETER
ELT.59	TUBO DESAGÜE	OUTLET PIPE
ELT134	INSERTO CONDUCTO	CONDUIT INSERT
ELT155	SONDA TEMPERATURA RIVER 80	RIVER 80 TEMPERATURE PROBE
ELT207	JUNTA	GASKET
ELT219	RESISTENCIA 8KW RIVER 81	8KW RIVER 81 RESISTANCE
H25807	ABRAZADERA 25-40	25-40 CLAMP
LAV419	TERMOSTATO CUBA 95°	95° TANK THERMOSTAT
LAV444	RACOR 3 VIAS	3 WAYS FITTING
LAV622	TORICA RESISTENCIA GOMA	RESISTANCE RUBBER RING
LAV624	PRESOSTATO SAL.HOR.110/60	110/60 HORIZ.PRESS.SWITCH
LAV921	FILTRO BOMBA	PUMP FILTER
LAV923	TORICA DESAGÜE	DRAIN RING
LAV924	COLECTOR LAVADO	WASHING COLLECTOR
LAV944	CAMARA PRESOSTATICA	PRES.SWITCH CHAMBER
V...5	TUBO GOMA 10X16 20 ATM	20ATM 10X17 RUBBER PIPE
V...30	RACOR ENTRADA JABON	INLET SOAP FITTING
V...132	ELECTROVAL.1 VIA LAV.220V	WASH 1 WAY 220V SOLENOID
V...973	DOSIFICADOR PERISTALTICO INTER	INTERNAL PERISTALTIC DOS.
V...975	DOSIFICADOR ABRILLANTADOR EXT.	EXTERNAL RINSE DOSIMETER
V...980	RACOR ENTRADA JABON LARGO	LONG INLET FITTING
V.1800	RACOR ENTRADA JABON METALICO	METALIC DETER.INLET FITTING





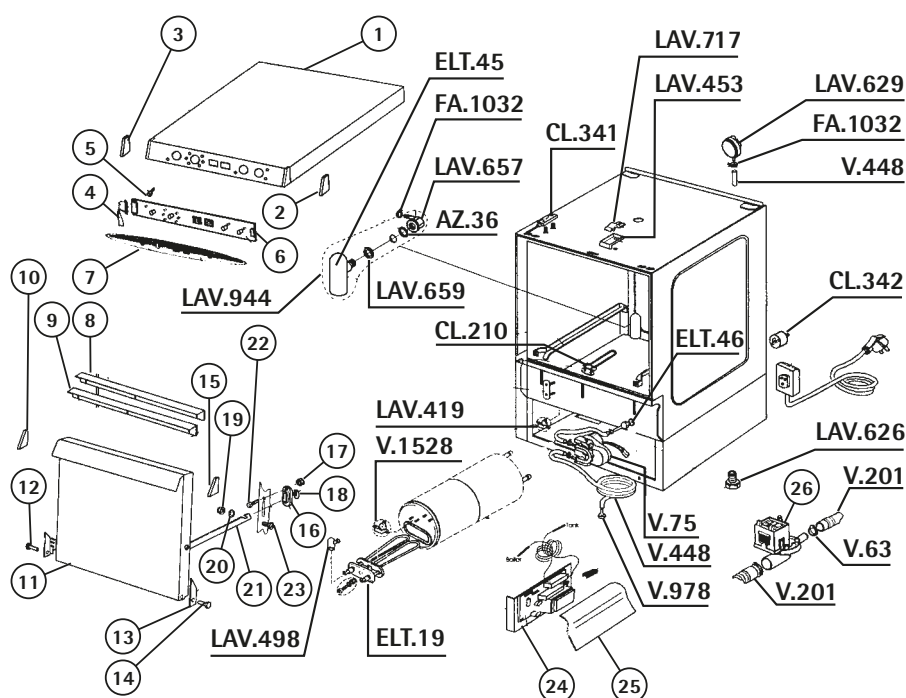
REF.	DESCRIPCIÓN	DESCRIPTION
ELT199	JUNTA GIRATORIO	GIRATORY GASKET
ELT200	ROCIADOR	SPRAY
ELT201	UNION GIRATORIO	GIRATORY JUNCTION
ELT202	CASQUILLO GIRATORIO	GIRATORY CAP
ELT203	EJE	ROD
ELT204	TUERCA GIRATORIO	GIRATORY NUT
ELT205	GRAPA	CLASP
ELT208	TAPON GIRATORIO	GIRATORY COVER

Motor E78 4/2004 / RIVER 81 6/2007 ■ E78 4/2004 / RIVER 81 6/2007 Motor

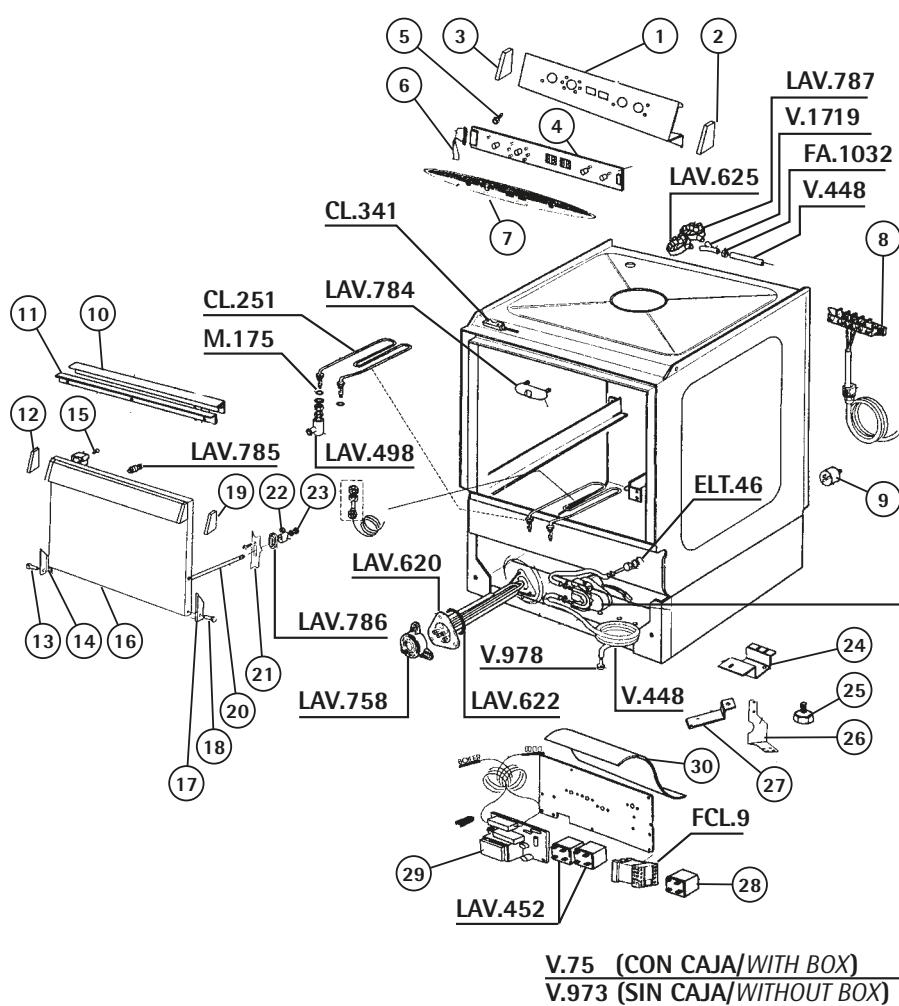


REF.	DESCRIPCIÓN	DESCRIPTION
CL.288	GIRANTE	GYRATORY
ELT148	TORICA TAPA BOMBA	PUMP LID RING
ELT210	RETEN MOTOR	MECHANICAL SEAL
ELT211	RETEN MOTOR	MECHANICAL SEAL
ELT212	JUNTA MOTOR	MOTOR GASKET
ELT213	JUNTA MOTOR	MOTOR GASKET
ELT214	TURBINA	TURBINE
ELT215	TURBINA	TURBINE
ELT216	TAPA BOMBA	PUMP LID
ELT217	TAPA BOMBA	PUMP LID
LAV795	CUERPO BOMBA	PUMP BODY

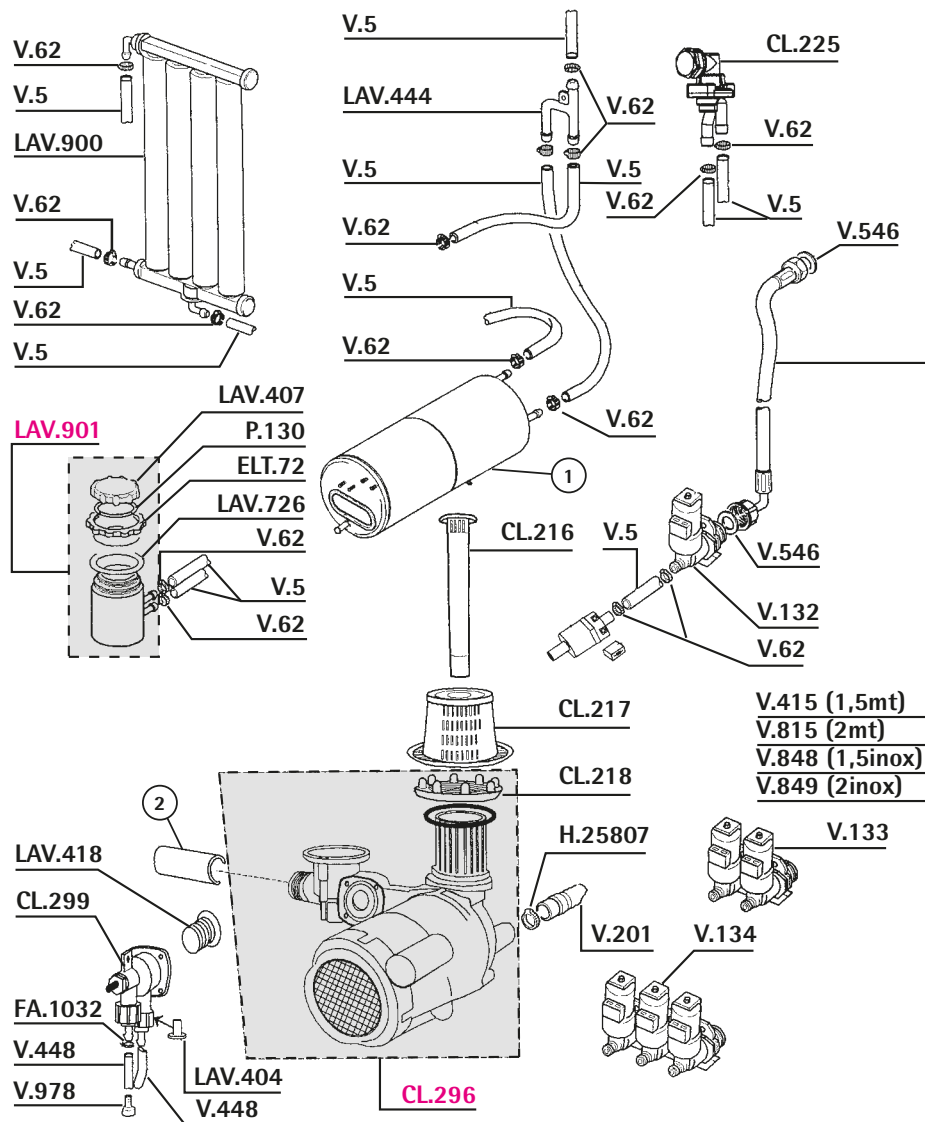
REF.	DESCRIPCIÓN	DESCRIPTION
AZ...36	TORICA GOMA	EPDM RING
CL.210	RESIST.CUBA 600W 230V	RESISTANCE TANK 600W/230V
CL.341	IMAN	MAGNET
CL.342	FILTRO ANTIPARASITARIO	ANTIPARASITIC FILTER
ELT.19	RESIST.CALDERIN 2600W 230V	230V/2600W BOILER RESISTANCE
ELT.45	CAMARA PRESOSTATICA	PRESSURE SWITCH CHAMBER
ELT.46	RACOR ENTRADA JABON	INLET SOAP FITTING
FA1032	BRIDA	CLASP
LAV419	TERMOSTATO CUBA 95°	95° TANK THERMOSTAT
LAV453	BASE CIERRE PUERTA	CLOSING DOOR BASE
LAV498	RACOR T	T FITTING
LAV626	PIE MAQUINA	MACHINE FOOT
LAV629	PRESOSTATO SAL.HOR.35/17	35/17 HORIZ.PRESS.SWITCH
LAV657	RACOR CAMPANA	PRESSURE SWITCH FITTING
LAV659	JUNTA GOMA	RUBBER GASKET
LAV717	MUELLE CIERRE	CLOSING SPRING
LAV944	CAMARA PRESOSTATICA	PRES.SWITCH CHAMBER
V...63	ABRAZADERA 20-32	20-35 CLAMP
V...75	DOSIF.PERISTALTICO REGULA	ADJUSTABLE DOSIMETER
V.201	TUBO DESAGÜE 28mm. 1,5mt.	28mm. 1.5mt OUTLET PIPE
V.448	TUBO PRESOSTATO-METRO 4X6	4X6 PRE.SWITCH INLET PIPE
V.978	FILTRO DOSIFICADOR	DOSIMETER FILTER
V.1528	TERM.LISO 110 C SEGURIDAD	110 C SAFETY SMOOTH THERMOSTAT



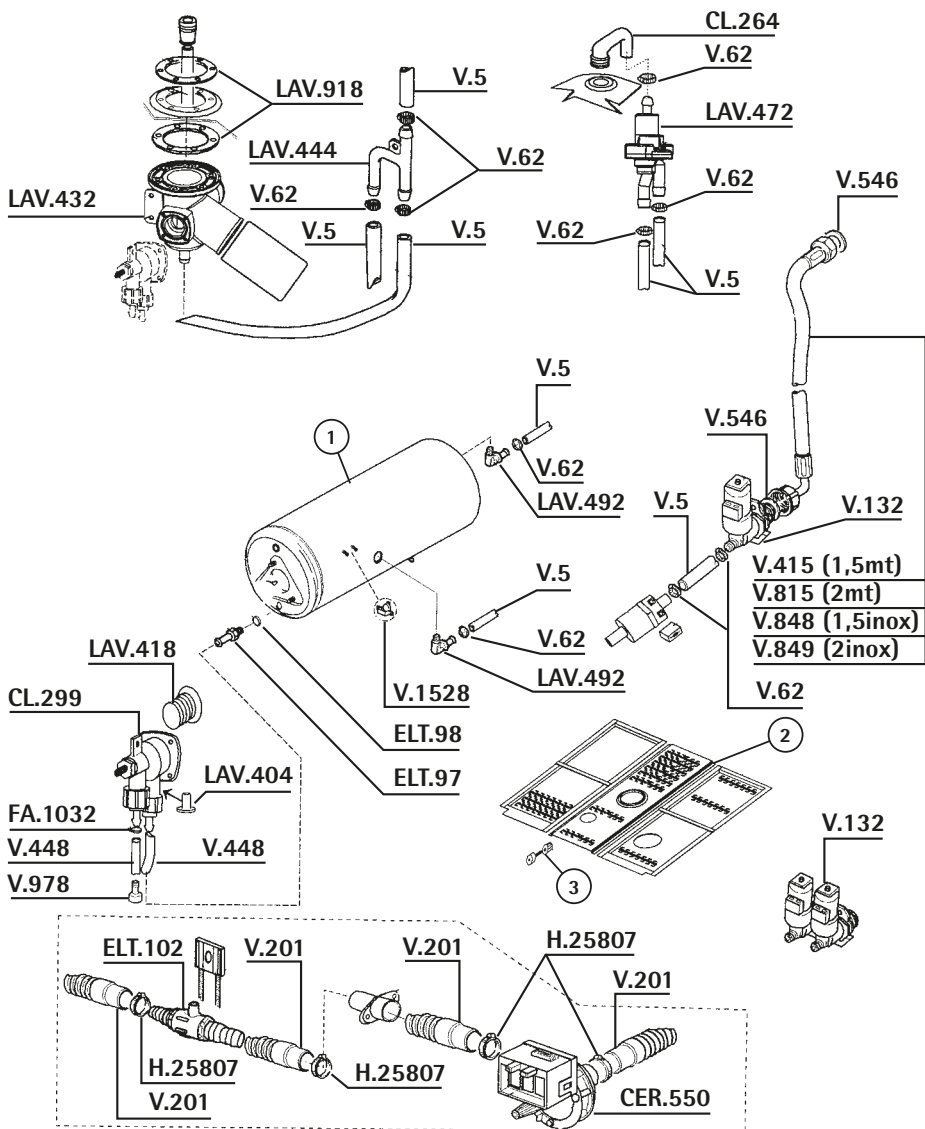
REF.	DESCRIPCIÓN	DESCRIPTION
CL.251	RESISTENCIA 3000W 230V	RESISTANCE 3000W 230V
CL.341	IMAN	MAGNET
ELT.46	RACOR ENTRADA JABON	INLET SOAP FITTING
FA1032	BRIDA	CLASP
FCL...9	CONTACTOR	CONTACTOR
LAV452	RELE 65.31 230/50HZ	65.31 230/50HZ RELAY
LAV498	RACOR T	T FITTING
LAV620	RESISTENCIA CALDER. 4500W 230V	BOILER RESISTANCE 4500W 230V
LAV622	TORICA RESISTENCIA GOMA	RESISTANCE RUBBER RING
LAV625	PRESOSTATO SAL.HOR.55/35	55/35 HOR.PRESSURE SWITCH
LAV758	PROTECTOR RESISTENCIA	RESISTANCE PROTECTOR
LAV784	CIERRE PUERTA	CLOSING DOOR
LAV785	PIVOTE CIERRE PUERTA	CLOSING DOOR PIVOT
LAV786	SOPORTE CIERRE PUERTA 22R	22R CLOSING DOOR SUPPORT
LAV787	PRESOSTATO 90/56	90/56 PRESSOSTAT
M..175	TORICA GOMA EPDM	RUBBER RING
V...75	DOSIF.PERISTALTICO REGULA	ADJUSTABLE DOSIMETER
V.448	TUBO PRESOSTATO-METRO 4X6	4X6 PRE.SWITCH INLET PIPE
V.973	DOSIFICADOR PERISTALTICO INTER	INTERNAL PERISTALTIC DOS.
V.978	FILTRO DOSIFICADOR	DOSIMETER FILTER
V.1719	RACOR PRESOSTATO Y	Y PRESSURE SWITCH FITTING



V.75 (CON CAJA/WITH BOX)
V.973 (SIN CAJA/WITHOUT BOX)

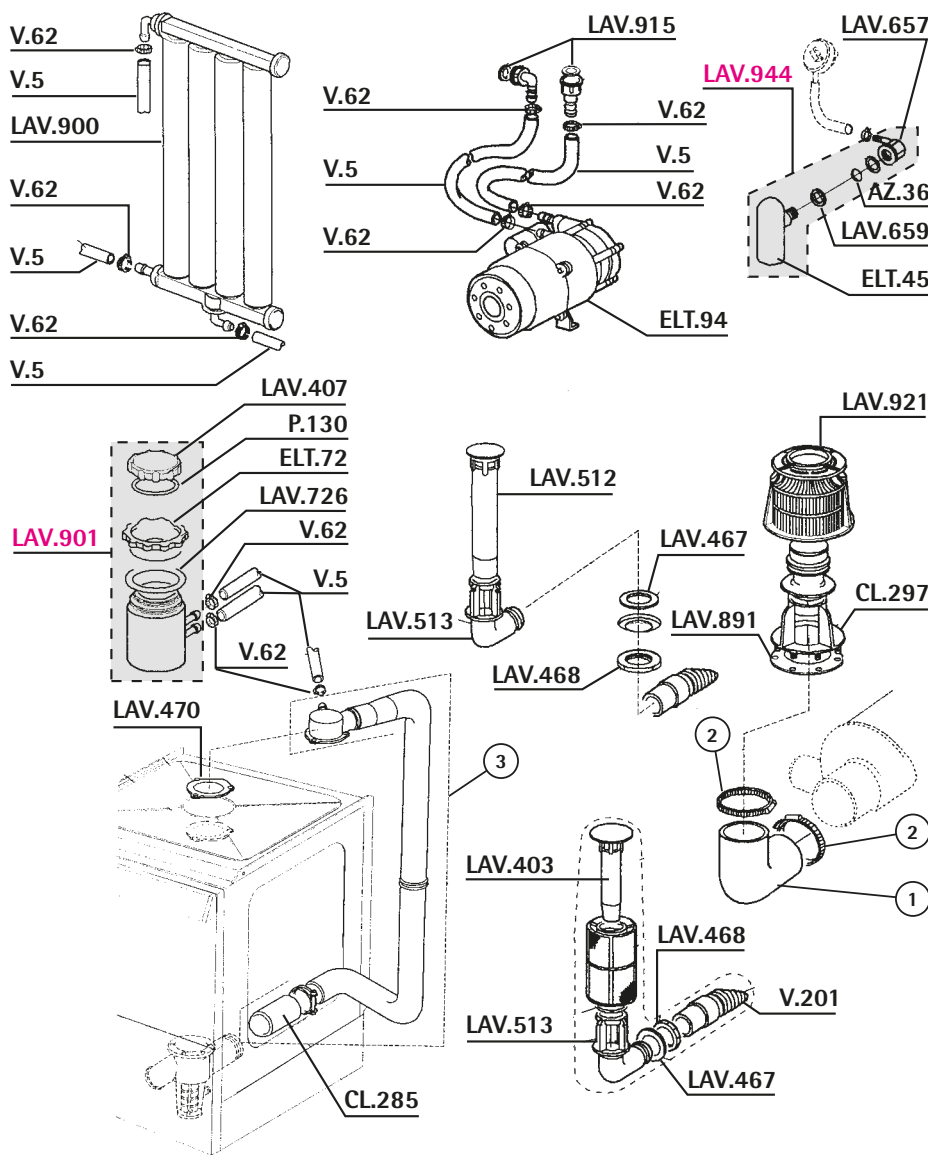


REF.	DESCRIPCIÓN	DESCRIPTION
CL.216	SOBRENIVEL	OVERFLOW
CL.217	FILTRO	FILTER
CL.218	BASE FILTRO	FILTER BASE
CL.225	RACOR	FITTING
CL.296	MOTOR C400 0.33HP	C400 0.33HP MOTOR
CL.299	DOSIFICADOR HIDRAULICO	HIDRAULIC DOSIMETER
ELT.72	RACOR DEPOSITO SAL	FITTING SALT CONTAINER
FA1032	BRIDA	CLASP
H25807	ABRAZADERA 25-40	25-40 CLAMP
LAV404	VALVULA ASPIRACION	SUCTION VALVE
LAV407	TAPON DEPOSITO SAL	SALT TANK CAP
LAV418	MEMBRANA DOSIFICADOR	DOSIMETER MEMBRANE
LAV444	RACOR 3 VIAS	3 WAYS FITTING
LAV726	JUNTA GOMA BOTELLA SAL	BOTTLE SALT RUBBER GASKET
LAV900	DEPURADOR LAVATAZAS	WASHING CUP PURIFIER
LAV901	DEPOSITO SAL COMPLETO	SALT CONTAINER
P.130	TORICA EPDM	RING
V...5	TUBO GOMA 10X16 20 ATM	20ATM 10X17 RUBBER PIPE
V...62	ABRAZADERA 12-20	12-20 CLAMP
V.132	ELECTROVAL.1 VIA LAV.220V	WASH 1 WAY 220V SOLENOID
V.133	ELECTROVAL.2 VIA LAV.220V	WASH 2 WAYS 220V SOLENOID
V.134	ELECTROVAL.3VIA LAV.220V	WASH 3 WAYS 220V SOLENOID
V.201	TUBO DESAGÜE 28mm. 1,5mt.	28mm. 1.5mt OUTLET PIPE
V.415	TOMA LAVADORA 1,5M	QUALITY 1.5M.INLET W.FLEX
V.448	TUBO PRESOSTATO-METRO 4X6	4X6 PRE.SWITCH INLET PIPE
V.546	JUNTA GOMA 3/4	WATER INLET RUBBER GASKET
V.815	TOMA LAVADORA 2 METROS	2 MT.INLET WATER FLEXIBLE
V.848	TOMA LAVADORA 1.5M INOX	INOX 1.5M INLET WATER FL.
V.849	TOMA LAV.INOX 2MT.3/4X3/4	INOX 2MT.INLET WATER FLE.
V.978	FILTRO DOSIFICADOR	DOSIMETER FILTER

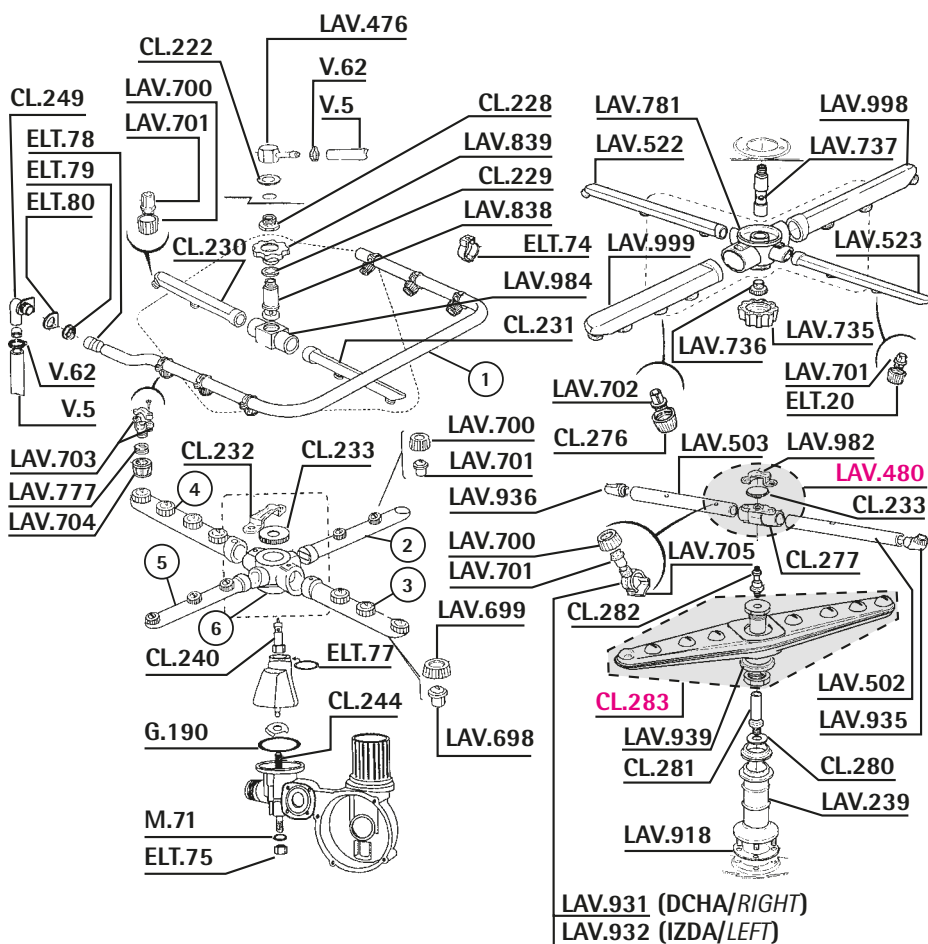


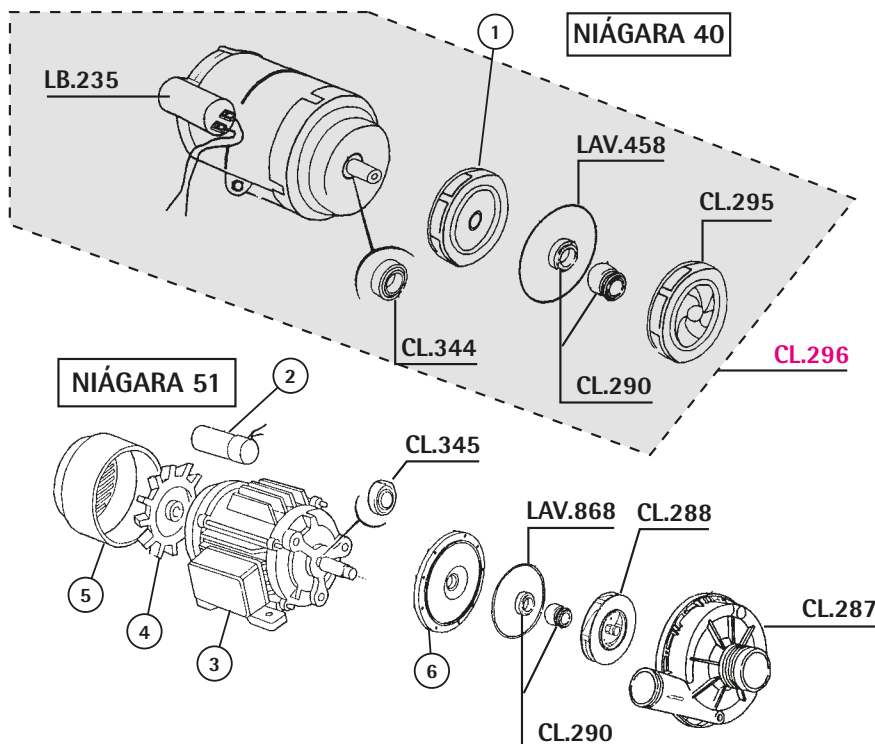
REF.	DESCRIPCIÓN	DESCRIPTION
CER550	BOMBA DESAGÜE 40W	40W OUTLET PUMP
CL.264	CODO	ELBOW
CL.299	DOSIFICADOR HIDRAULICO	HIDRAULIC DOSIMETER
ELT.97	RACOR ENTRADA ABRILLANTADOR	RINSE AID INLET FITTING
ELT.98	JUNTA	GASKET
ELT.102	VALVULA DESAGÜE	OUTLET VALVE
FA1032	BRIDA	CLASP
H25807	ABRAZADERA 25-40	25-40 CLAMP
LAV404	VALVULA ASPIRACION	SUCTION VALVE
LAV418	MEMBRANA DOSIFICADOR	DOSIMETER MEMBRANE
LAV432	COLECTOR MOD.ABRIL 2001	APRIL 2001 MODERN COLECT.
LAV444	RACOR 3 VIAS	3 WAYS FITTING
LAV472	UNION TUBO	PIPE JUNCTION
LAV492	CODO	ELBOW
LAV918	JUNTA COLECTOR INFERIOR GOMA	RUBBER GASKET
V...5	TUBO GOMA 10X16 20 ATM	20ATM 10X17 RUBBER PIPE
V...62	ABRAZADERA 12-20	12-20 CLAMP
V.132	ELECTROVAL.1 VIA LAV.220V	WASH 1 WAY 220V SOLENOID
V.201	TUBO DESAGÜE 28mm. 1,5mt.	28mm. 1.5mt OUTLET PIPE
V.415	TOMA LAVADORA 1,5M	QUALITY 1.5M.INLET W.FLEX
V.448	TUBO PRESOSTATO-METRO 4X6	4X6 PRE.SWITCH INLET PIPE
V.546	JUNTA GOMA 3/4	WATER INLET RUBBER GASKET
V.815	TOMA LAVADORA 2 METROS	2 MT.INLET WATER FLEXIBLE
V.848	TOMA LAVADORA 1.5M INOX	INOX 1.5M INLET WATER FL.
V.849	TOMA LAV.INOX 2MT.3/4X3/4	INOX 2MT.INLET WATER FLE.
V.978	FILTRO DOSIFICADOR	DOSIMETER FILTER
V.1528	TERM.LISO 110J C SEGURIDAD	110J C SAFETY SMOOTH THERMOSTAT

REF.	DESCRIPCIÓN	DESCRIPTION
AZ...36	TORICA GOMA	EPDM RING
CL.285	MANGUITO INFERIOR	LOWER SLEEVE
CL.297	BASE FILTRO	FILTER BASE
ELT.45	CAMARA PRESOSTATICA	PRESSURE SWITCH CHAMBER
ELT.72	RACOR DEPOSITO SAL	FITTING SALT CONTAINER
ELT.94	BOMBA AUMENTO PRESION	PRESSURE PUMP
LAV403	SOBRENIVEL	OVERFLOW
LAV407	TAPON DEPOSITO SAL	SALT TANK CAP
LAV467	JUNTA GOMA	RUBBER GASKET
LAV468	TUERCA	NUT
LAV470	JUNTA GOMA	RUBBER GASKET
LAV512	TAPON DESAGÜE 50R-F	50R-F INLET CAP
LAV513	CURVA DESCARGA	OUTLET ELBOW
LAV657	RACOR CAMPANA	PRESSURE SWITCH FITTING
LAV659	JUNTA GOMA	RUBBER GASKET
LAV726	JUNTA GOMA BOTELLA SAL	BOTTLE SALT RUBBER GASKET
LAV891	JUNTA FILTRO BOMBA GOMA	FILTER PUMP RUBBER GASKET
LAV900	DEPURADOR LAVATAZAS	WASHING CUP PURIFIER
LAV901	DEPOSITO SAL COMPLETO	SALT CONTAINER
LAV915	JUNTA CALDERIN ALIMENTAR.	BOILER ALIMENTARY GASKET
LAV921	FILTRO BOMBA	PUMP FILTER
LAV944	CAMARA PRESOSTATICA	PRES.SWITCH CHAMBER
P.130	TORICA EPDM	RING
V...5	TUBO GOMA 10X16 20 ATM	20ATM 10X17 RUBBER PIPE
V...62	ABRAZADERA 12-20	12-20 CLAMP
V.201	TUBO DESAGÜE 28mm. 1,5mt.	28mm. 1.5mt OUTLET PIPE



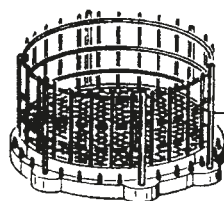
REF.	DESCRIPCIÓN	DESCRIPTION
CL.222	TORICA	RING
CL.228	TAPON	CAP
CL.229	JUNTA TEFLON	TEFLON GASKET
CL.230	BRAZO ACLARADO IZQUIERDO	LEFT RINSE ARM
CL.231	BRAZO ACLARADO DERECHO	RIGHT RINSE ARM
CL.232	ABRAZADERA PLASTICO	PLASTIC CLAMP
CL.233	TUERCA INOX	INOX NUT
CL.240	EJE GIRATORIO	REVOLVING ARM ROD
CL.244	EJE	ROD
CL.249	CODO	ELBOW
CL.276	TUERCA LAVADO	WASHING NUT
CL.277	UNION	JUNCTION
CL.280	ARANDELA	WASHER
CL.281	EJE	ROD
CL.282	RACOR	FITTING
CL.283	GIRANTE LAVADO	WASHING GYRATORY
CL.333	MOTOBOMBA 0.75 HP	0.75 HP WASHING PUMP
ELT.20	TUERCA ROCIADOR	SPRAY NUT
ELT.74	BRIDA	CLASP
ELT.75	TUERCA	NUT
ELT.77	JUNTA TEFLON	GASKET
ELT.78	INSERTO	INSERT
ELT.79	TUERCA PLASTICO	NUT
ELT.80	JUNTA	GASKET
G.190	TORICA GOMA	RUBBER RING
LAV239	RACOR CENTRAL INFERIOR	LOWER CENTRAL FITTING
LAV476	RACOR	FITTING
LAV480	GIRATORIO ACLARADO	RINSE GYRATORY
LAV502	BRAZO ACLARADO 1 SALIDA	1 EXIT RINSE ARM
LAV503	BRAZO ACLARADO 2 SALIDAS	2 EXIT RINSE ARM
LAV522	BRAZO ACLARADO DCHA.	RIGHT RINSE ARM
LAV523	BRAZO ACLARADO IZDA.	LEFT RINSE ARM
LAV698	RACOR LAVADO	WASHING FITTING
LAV699	TUERCA PLASTICO DE LAVADO	WASHING NUT
LAV700	TUERCA ACLARADO	RINSE NUT
LAV701	TAPON ACLARADO	RINSING CAP
LAV702	TAPON LAVADO GRANDE	GREAT WASHING CAP
LAV703	SOPORTE RACORD LAVADO	WASHING FITTING SUPPORT
LAV704	RACOR LAVADO	WASHING FITTING
LAV705	MUELLE FIJA SURTIDOR	SPRING
LAV735	MANDO FIJACION 40-400F	40-400F FIXATION HANDLE
LAV736	TORNILLO	SCREW
LAV737	EJE COLECTOR CENTRO	COLLECTOR ROD
LAV777	HELICE LAVADO	WASHING PROPELLER
LAV781	RACOR CRUZ	FITTING
LAV838	EJE COLECTOR ACLARADO	COLLECTOR ROD
LAV839	TUERCA FIJACION PLASTICO	PLASTIC FIXING NUT
LAV918	JUNTA COLECTOR INFERIOR GOMA	RUBBER GASKET
LAV931	PORTA SURTIDOR GRANDE DCHA	RIGH WATER SPOUT HOLDER
LAV932	PORTA SURTIDOR GRANDE IZD	LEFT WATER SPOUT HOLDER
LAV935	TERMINAL BRAZO ACLARADO	RINSE ARM TERMINAL
LAV936	TERMINAL CIEGO BRAZO ACL.	RINSE ARM TERMINAL
LAV939	CASQUILLO BRAZO LAV.PEQ.	WASHING PIPE CAP
LAV982	TAPON COLECTOR 35-350F	35-350F COLLECTOR CAP
LAV984	COLECTOR SUP. ACLARADO	RINSING UPPER COLLECTOR
LAV998	BRAZO LAVADO IZQUIERDA	LEFT WASHING ARM
LAV999	BRAZO LAVADO DERECHA	RIGHT WASHING ARM
M...71	TORICA GOMA	EPDM RUBBER RING
V...5	TUBO GOMA 10X16 20 ATM	20ATM 10X17 RUBBER PIPE
V...62	ABRAZADERA 12-20	12-20 CLAMP





REF.	DESCRIPCIÓN	DESCRIPTION
CL.287	TAPA MOTOR	MOTOR LID
CL.288	GIRANTE	GYRATORY
CL.290	RETEN	MECHANICAL SEAL
CL.295	GIRANTE C400	C400 GYRATORY
CL.296	MOTOR C400 0.33HP	C400 0.33HP MOTOR
CL.344	COJINETE C350/400	C350/400 BALL BEARING
CL.345	COJINETE	BALL BEARING
LAV.458	TORICA BOMBA	PUMP RING
LAV.868	TORICA TAPA BOMBA GOMA	PUMP COVER RUBBER RING
LB.235	CONDENSADOR 6,3 MF	6,3 MF CONDENSER

Cestos (1) ■ Baskets (1)

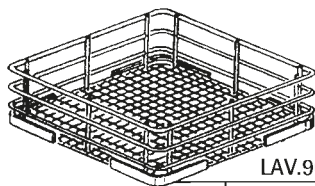
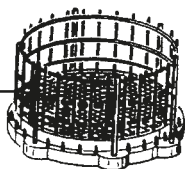


Modelos / Models

LAV.876	RS-624-626-634-636
LAV.904	RS-651-815-835
LAV.906	R-503-505-509-511-704

Modelos / Models

LAV.876	R-501
LAV.874	R-503-505-509-511-704

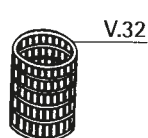


Modelos / Models

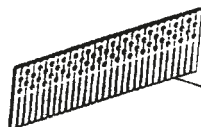
LAV.905	S-810-830-835-PLUS 22F-50F-500F
LAV.907	S-810-830-835-PLUS 22F-50-500F

Modelos / Models

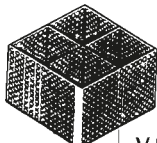
LAV.902	R-621-623-624-626-631-633-634-11F-40F-35F-400F-350F
---------	---



V.32



LAV.762



V.526

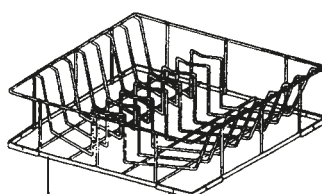
REF.	DESCRIPCIÓN	DESCRIPTION
LAV.762	INSERTO VASOS	GLASSES INSERT
LAV.874	CESTO VASOS 40CM	40CM GLASSES BASKET
LAV.876	CESTO VASOS 38CM	38CM GLASSES BASKET
LAV.902	CESTO VASOS 38X38	38X38 GLASSES BASKET
LAV.904	CESTO VASOS 48CM	48CM GLASSES BASKET
LAV.905	CESTO VASOS 50x50	50X50 GLASSES BASKET
LAV.906	CESTO PLATOS 40.5CM	40.5CM DISH BASKET
LAV.907	CESTO PLATOS 50x50	50X50 DISH BASKET
V...32	CESTO CUCHARAS PLASTICO	PLASTIC SPOON BASKET
V.526	CESTO CUCHARAS CUADRADO	SQUARE SPOON BASKET

Gama estándar cestas. Ver Pág. 34
Standard baskets range. Go to Pag. 34

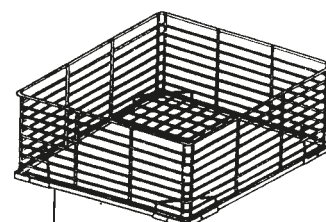


Save time and money..
Order ASCASO your spare parts.

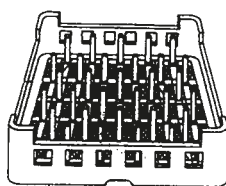
REF.	DESCRIPCIÓN	DESCRIPTION
LAV905	CESTO VASOS 50x50	50X50 GLASSES BASKET
LAV907	CESTO PLATOS 50x50	50X50 DISH BASKET
V...29	CESTO CUADRO PLATOS 40x40	40X40 SQUARE PLATE BASKET
V...32	CESTO CUCHARAS PLASTICO	PLASTIC SPOON BASKET
V...80	CESTO CUADRO PLATOS 36x36	36X36 DISH BASKET
V..173	INSERTO PLATOS 30CMT.	30CMT DISHES INSERT
V..175	INSERTO PLATOS 42CMT.	42CMT DISHES INSERT
V..526	CESTO CUCHARAS CUADRADO	SQUARE SPOON BASKET
V..610	CANTONERA CESTO CUADRADO	BASKET SQUARE CORNERPIECE
V..964	INSERTO PLATOS 36cm	36cm DISHES INSERT
V.1250	CESTA VASOS 50X50	50X50 GLASSES RACK
V.1252	CEST.PLATOS-BANDEJA 50X50	PLATES AND TRAYS RACK
WL3510	CESTO CUADRO VASOS 36x36	36X36 GLASSES BASKET
WL3511	CESTO CUADRO VASOS 40x40	40X40 GLASSES BASKET
WL3512	CESTO CUADRO VASOS 45x45	45X45 GLASSES BASKET
WL3520	CESTO CUADRO PLATOS 45x45	45X45 DISH BASKET



V.80 (36x36-E35)
V.29 (40x40-E40 NIÁGARA 40)
WL.3520 (45x45-E45)
LAV.907 (50x50-E50)

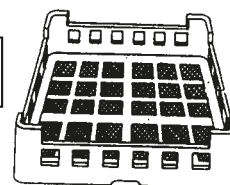


WL.3510 (36x36-E35)
WL.3511 (40x40-E40 NIÁGARA 40)
WL.3512 (45x45-E45)
LAV.905 (50x50-E50)



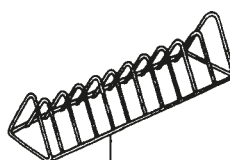
V.1252 (50x50)

E-51/55/60/78/100/110/120/140/
NIÁGARA 51/RIVER 50/61/80/81/82

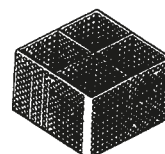


V.1250 (50x50)

GAMA COMPLETA IR Pág.34
COMPLET RANGE GO Pag.34



V.173 (30 cm)
V.175 (42 cm)
V.964 (36 cm)



V.526



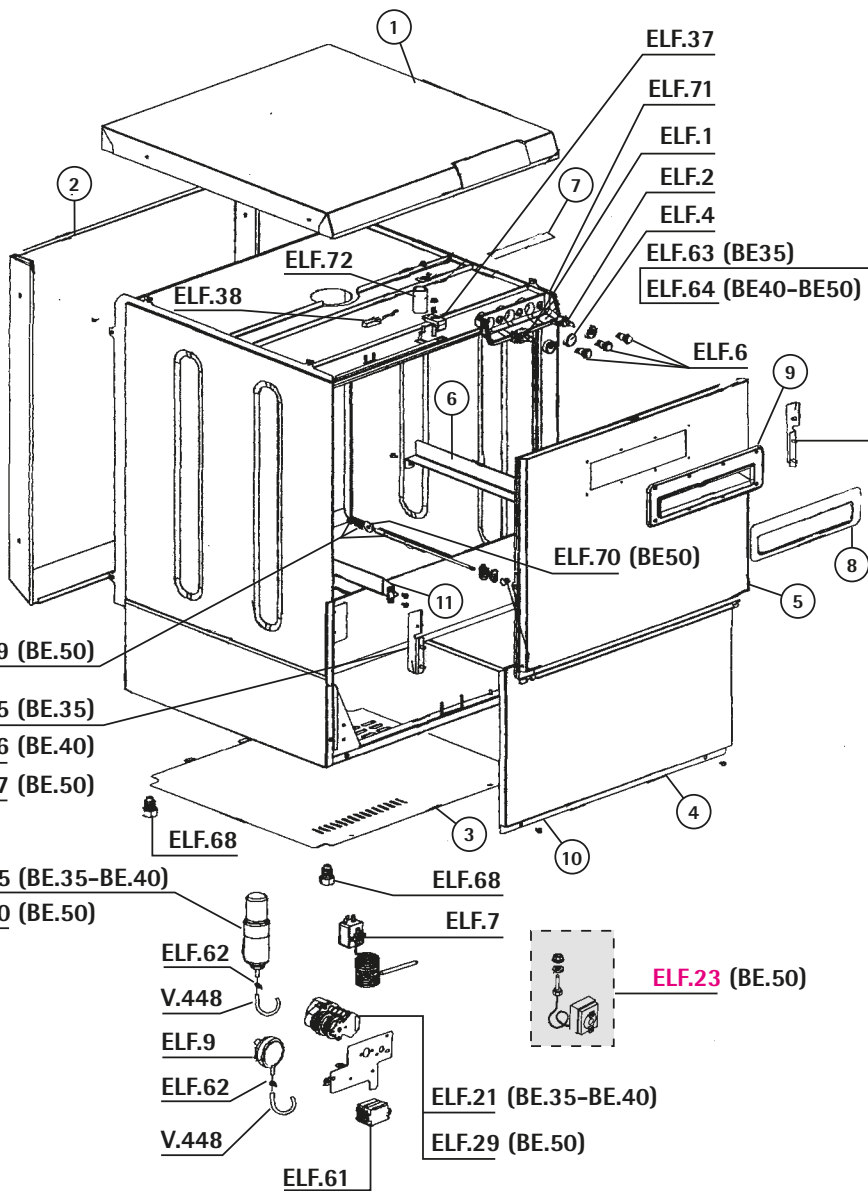
V.32



V.610

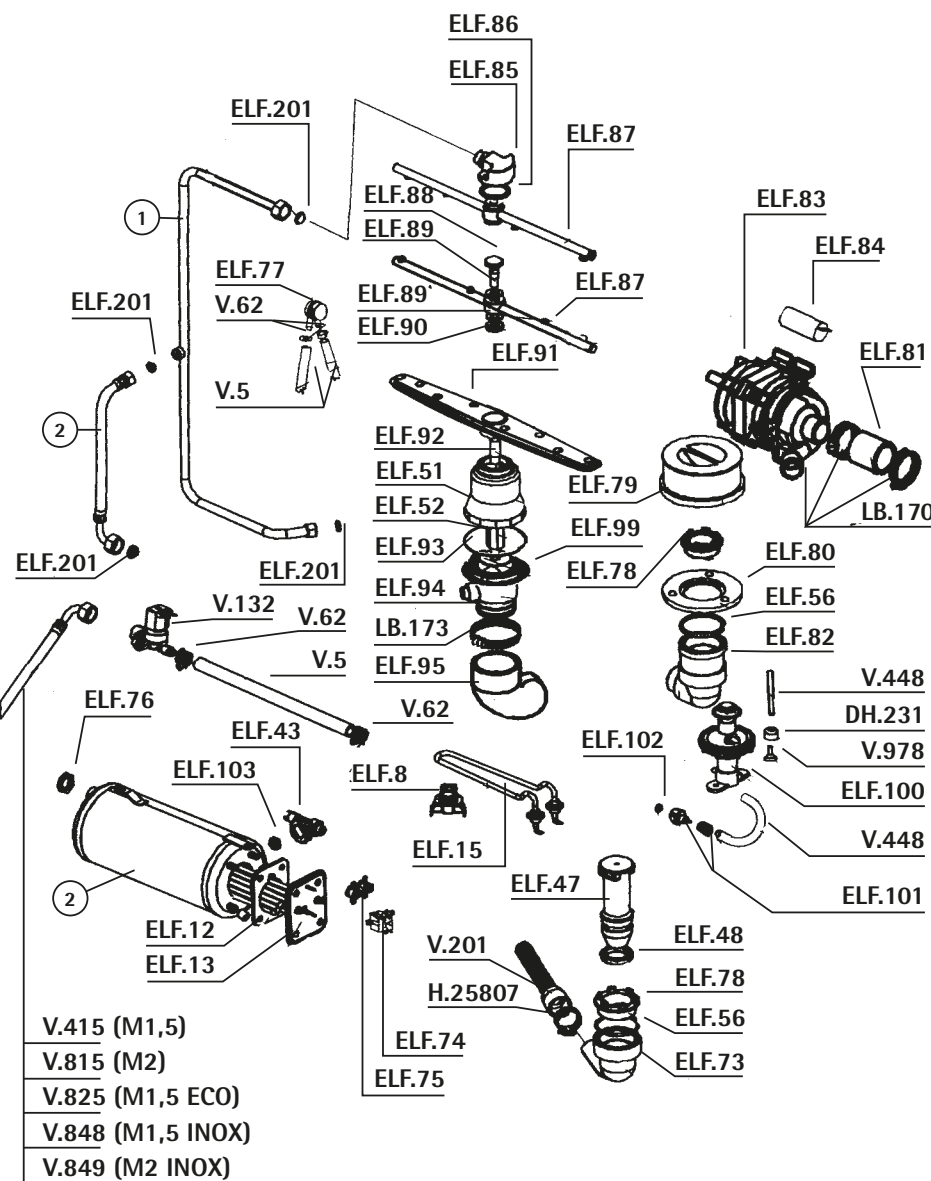
Índice ELFRAMO index

Carrocería / Componentes eléctricos BE35 - BE40 - BE50	BE35 - BE40 - BE50 Electric components / Bodywork	901
Calderín / Motor / Filtro / Lavado / Aclarado BE35	BE35 Rinse / Wash / Filter / Motor / Boiler	902
Calderín / Motor / Filtro / Lavado / Aclarado BE40	BE40 Rinse / Wash / Filter / Motor / Boiler	903
Calderín / Motor / Filtro / Lavado / Aclarado BE50	BE50 Rinse / Wash / Filter / Motor / Boiler	904
Bomba desagüe/ Depurador BE35 - BE40 - BE50	BE35 - BE40 - BE50 Purifiers / Drain pump	905
Carrocería BD11 - BD13	BD11 - BD13 Bodywork	906
Componentes eléctricos BD11 - BD13	BD11 - BD13 Electric components	907
Filtro / Lavado / Aclarado BD11	BD11 Rinse / Wash / Filter	908
Filtro / Lavado / Aclarado BD13	BD13 Rinse / Wash / Filter	909
Bomba / Calderín / Dosificador / Resistencia BD11 - BD13	BD11 - BD13 Resistance / Rinse aid dosimeter / Boiler / Pump	910
Carrocería BD14 -BD22	BD14 - BD22 Bodywork	911
Componentes eléctricos BD14 - BD22	BD14 - BD22 Electric components	912
Filtro / Lavado / Aclarado BD14 - BD22	BD14 - BD22 Rinse / Wash / Filter	913
Bomba / Calderín / Dosificador / Resistencia BD14	BD14 Resistance / Rinse aid dosimeter / Boiler / Pump	914
Bomba / Calderín / Dosificador / Resistencia BD22	BD22 Resistance / Rinse aid dosimeter / Boiler / Pump	915
Depurador / Bomba BD11 - BD13 - BD14 - BD22	BD11 - BD13 - BD14 - BD22 Purifiers / Drain pump	916
Carrocería D30	D30 Bodywork	917
Carrocería D40	D40 Bodywork	918
Componentes eléctricos D30	D30 Electric components	919
Componentes eléctricos D40	D40 Electric components	920
Componentes eléctricos D40 ELT	D40ELT Electric components	921
Componentes eléctricos D40 ELT, BT-BA	D40 ELT, BT-BA Electric components	922
Filtro / Lavado / Aclarado D30 - D40	D30 - D40 Rinse / Wash / Filter	923
Bomba / Calderín / Dosificador / Resistencia D30	D30 Resistance / Rinse aid dosimeter / Boiler / Pump	924
Bomba / Calderín / Dosificador / Resistencia D40	D40 Resistance / Rinse aid dosimeter / Boiler / Pump	925
Calderín / Resistencia D40 (ELT,BT-BA)	D40 (ELT,BT-BA) Resistance / Boiler	926
Motor / Depurador D40	D40 Motor / Purifiers	927
Carrocería C33 - C44 - C66 - C77	C33 - C44 - C66 - C77 Bodywork	928
Componentes eléctricos C33	C33 Electric components	929
Componentes eléctricos C44 - C66 - C77	C44 - C66 - C77 Electric components	930
Filtro / Lavado / Aclarado C33	C-33 Rinse / Wash / Filter	931
Filtro / Lavado / Aclarado C44 - C66 - C77	C44 - C66 - C77 Rinse / Wash / Filter	932
Bomba / Calderín / Dosificador / Resistencia C33	C33 Resistance / Rinse aid dosimeter / Boiler / Pump	933
Bomba / Calderín / Dosificador / Resistencia C44 - C66 - C77	C44 - C66 - C77 Resistance / Rinse aid dosimeter / Boiler / Pump	934
Motor C44 - C66 - C77	C44 - C66 - C77 Motor	935
Cestas	Racks	936



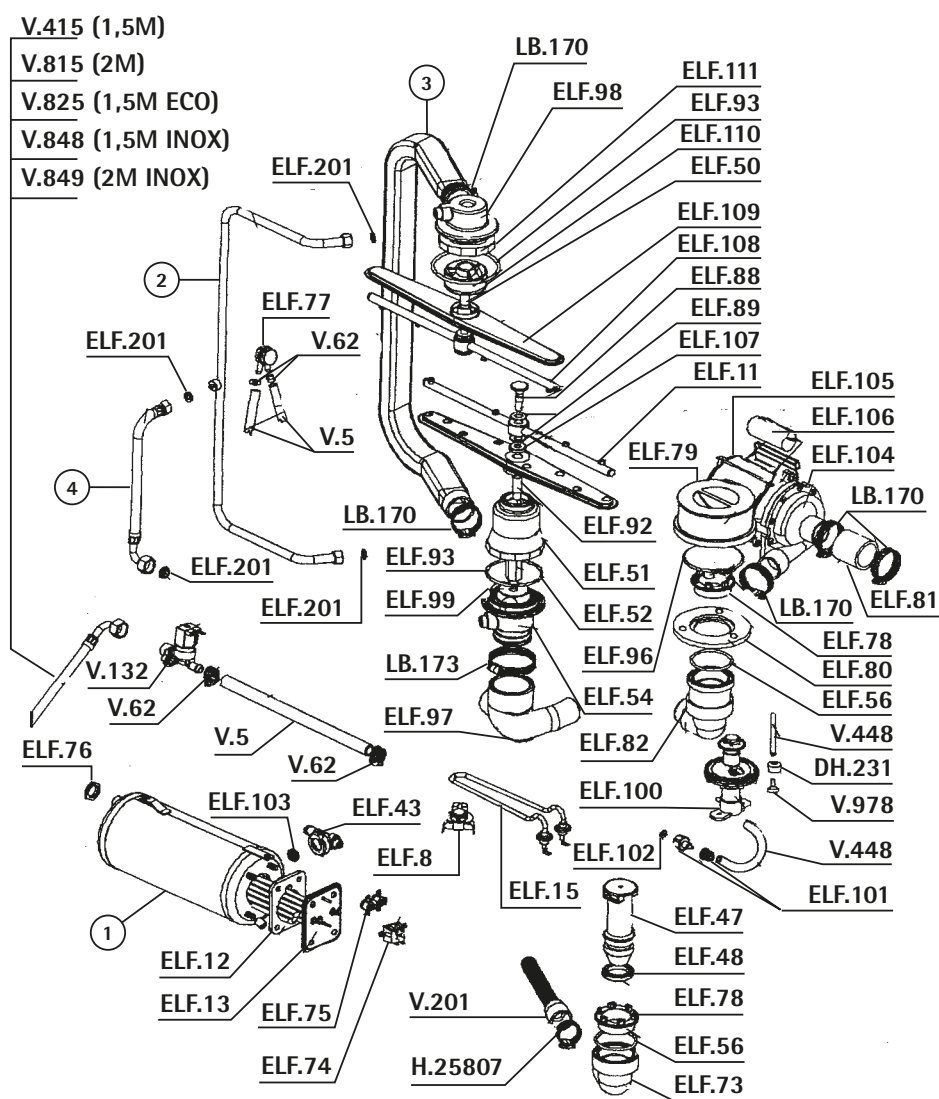
REF.	DESCRIPCIÓN	DESCRIPTION
ELF.1	INTERRUPTOR	SWITCH
ELF.2	INTERRUPTOR	SWITCH
ELF.4	EMBELLECEDOR	LID
ELF.6	PILOTO	LAMP
ELF.7	TERMOSTATO CALDERIN	BOILER THERMOSTAT
ELF.9	PRESOSTATO	PRESSURE SWITCH
ELF.21	PROGRAMADOR 4 MICROS	PROGRAMATEUR 4 LEVIER 120S
ELF.23	TERMOSTATO CUBA	TANK THERMOSTAT
ELF.29	PROGRAMADOR 4 MICROS	4 TOOTH 180S TIMER
ELF.37	CIERRE PUERTA	DOOR CLOSING
ELF.38	MICRO	MICRO
ELF.45	CAMPANA PRESOSTATO	PRESSURE SWITCH BELL
ELF.60	CAMPANA PRESOSTATICA	PRESSURE SWITCH CHAMBER BE.50
ELF.61	RELE	RELAY
ELF.62	BRIDA	CLAS P
ELF.63	BISAGRA DERECHA BE 35	BE 35 RIGHT HINGE
ELF.64	BISAGRA DERECHA BE40 - BE50	BE40 - BE50 RIGHT HINGE
ELF.65	BISAGRA IZQUIERDA BE35	BE35 LEFT HINGE
ELF.66	BISAGRA IZQUIERDA BE40	BE40 LEFT HINGE
ELF.67	BISAGRA IZQUIERDA BE50	BE50 LEFT HINGE
ELF.68	PATA	FOOT
ELF.69	CONJUNTO GUIA PUERTA + VARILLA	BE50 KIT DOOR GUIDE + ROD
ELF.70	CONJUNTO GUIA PUERTA BE50	BE50 KIT DOOR GUIDE
ELF.71	SOPORTE MANDOS	KNOBS SUPPORT
ELF.72	FILTRO	FILTER
V.448	TUBO PRESOSTATO-METRO 4X6	4X6 PRE.SWITCH INLET PIPE

Calderín / Motor / Filtro / Lavado / Aclarado BE35 ■ BE35 Rinse / Wash / Filter / Motor / Boiler

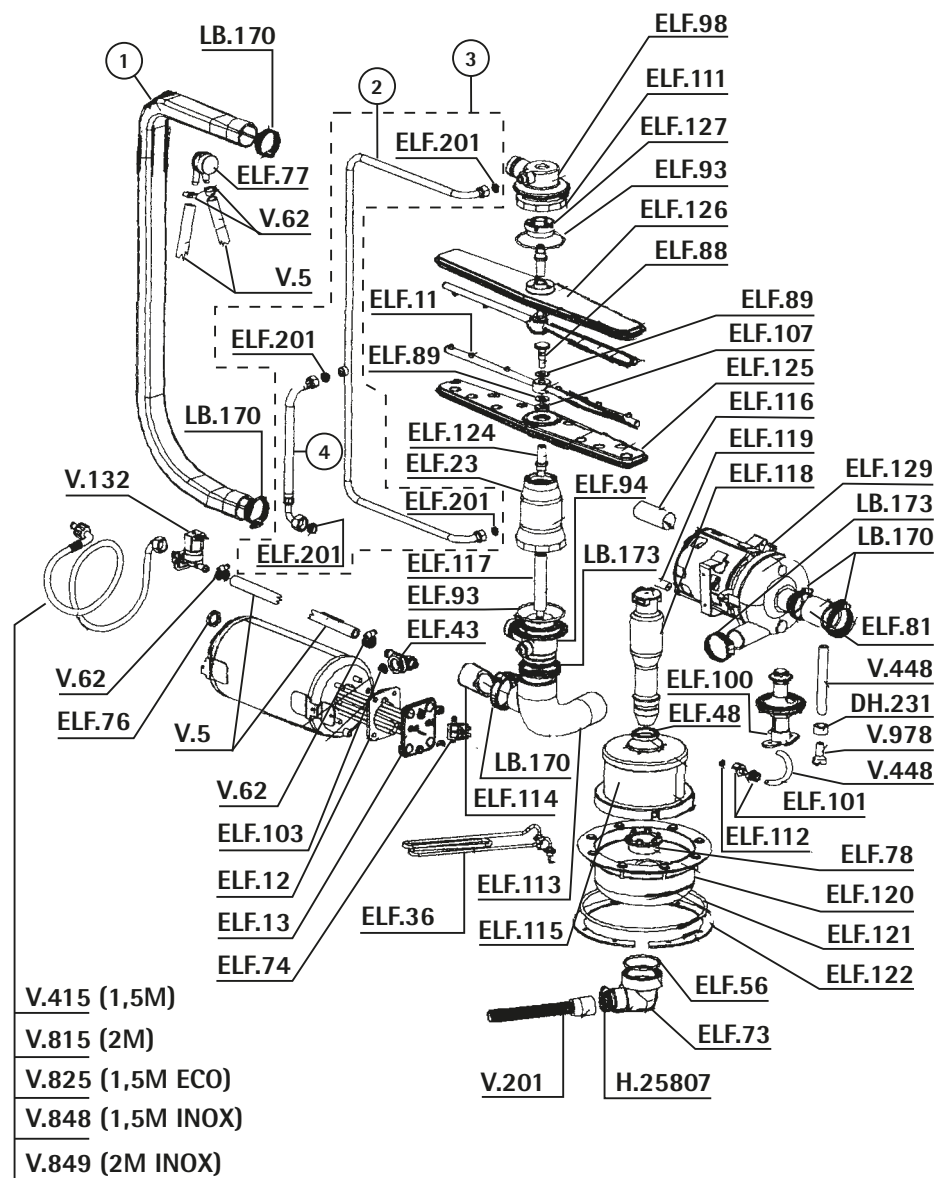


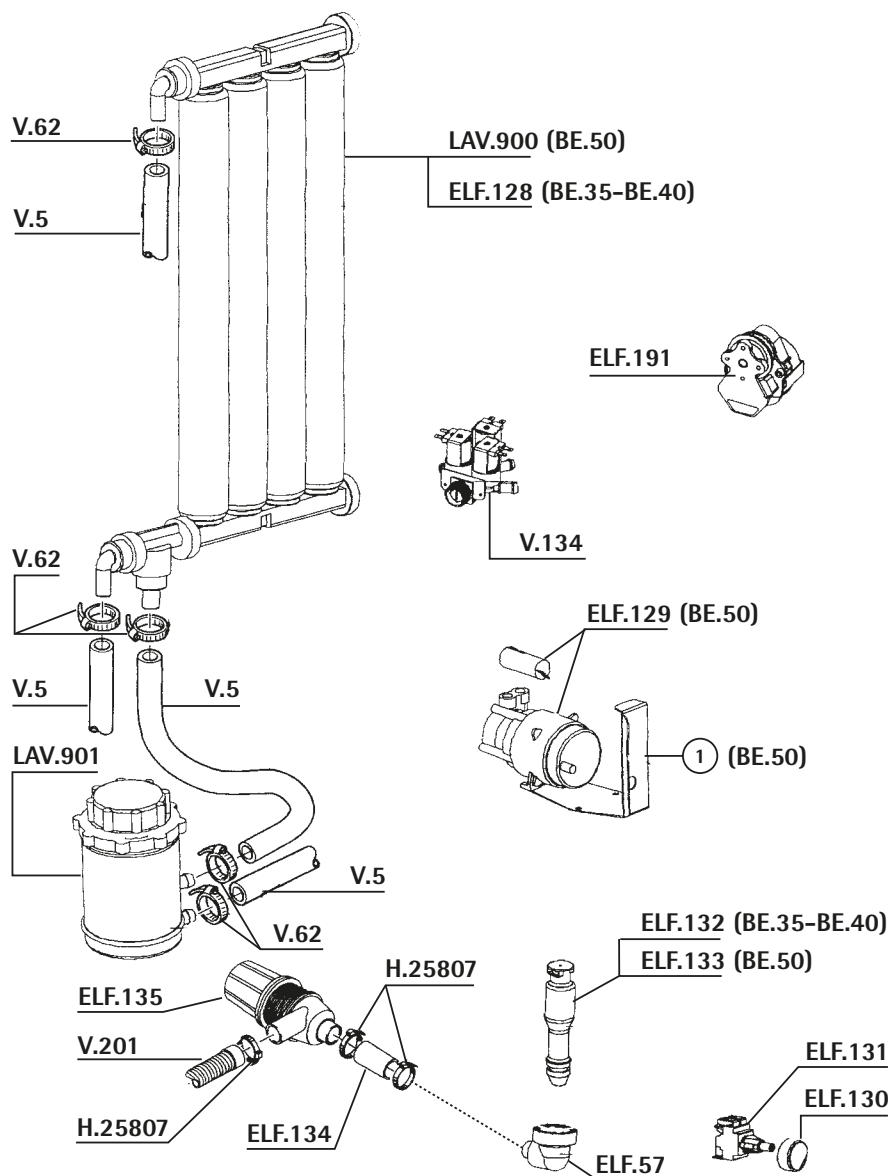
REF.	DESCRIPCIÓN	DESCRIPTION
DH.231	PESO FILTRO	FILTER FITTING
ELF.8	TERMOSTATO CUBA	TANK THERMOSTAT
ELF.12	JUNTA RESISTENCIA	RESISTANCE GASKET
ELF.13	RESISTENCIA CALDERIN BE-35	BE-35 BOILER RESISTANCE
ELF.15	RESISTENCIA CUBA BE-35	BE-35 TANK RESISTANCE
ELF.43	T CALDERIN	BOILER T
ELF.47	REBOSADERO BE-35/BE-40	BE-40 OVERFLOW
ELF.48	JUNTA REBOSADERO	OUTLET GASKET
ELF.51	COLECTOR	COLLECTOR
ELF.52	EJE	ROD
ELF.56	JUNTA	GASKET
ELF.73	CODO	ELBOW
ELF.74	TERMOSTATO	THERMOSTAT
ELF.75	TERMOSTATO CALDERIN	BOILER THERMOSTAT
ELF.76	TUERCA CALDERIN	BOILER NUT
ELF.77	VALVULA ANTIRETORNO	RETENTION VALVE
ELF.78	RACOR SOPORTE DESAGÜE	OUTLET PIPE SUPPORT FITTING
ELF.79	FILTRO	FILTER
ELF.80	PLETINA	PLATE
ELF.81	TUBO ASPIRACION	PIPE
ELF.82	CODO FILTRO	FILTER ELBOW
ELF.83	MOTOR BE35	MOTOR BE35
ELF.84	CONDENSADOR	CONDENSER
ELF.85	SOPORTE SUPERIOR GIRATORIO	ROTATORY UPPER SUPPORT
ELF.86	JUNTA SUPERIOR GIRATORIO	ROTATORY UPPER GASKET
ELF.87	GIRATORIO ACLARADO BE35	RINSE GIRATORY BE35
ELF.88	EJE GIRATORIO	GIRATORY ROD
ELF.89	JUNTA GIRATORIO	ROTATORY GASKET
ELF.90	JUNTA	GASKET
ELF.91	GIRATORIO LAVADO	WASH GIRATORY
ELF.92	EJE	ROD
ELF.93	TORICA COLECTOR	COLLECTOR RING
ELF.94	COLECTOR INFERIOR	INFERIOR COLLECTOR
ELF.95	CODO	ELBOW
ELF.99	CASQUILLO	CAP
ELF.100	DOSIFICADOR	DOSIMETER
ELF.101	CONJUNTO FILTRO	FILTER KIT
ELF.102	FILTRO	FILTER
ELF.103	JUNTA	GASKET
ELF.201	JUNTA	GASKET
H25807	ABRAZADERA 25-40	25-40 CLAMP
LB.170	ABRAZADERA 40-60	40-60 CLAMP
LB.173	ABRAZADERA 60-80	60-80 CLAMP
V....5	TUBO GOMA 10X16 20 ATM	20ATM 10X17 RUBBER PIPE
V...62	ABRAZADERA 12-20	12-20 CLAMP
V.132	ELECTROVAL.1 VIA LAV.220V	WASH 1 WAY 220V SOLENOID
V.201	TUBO DESAGÜE 28mm. 1,5mt.	28mm. 1.5mt OUTLET PIPE
V.415	TOMA LAVADORA 1,5M	QUALITY 1.5M.INLET W.FLEX
V.448	TUBO PRESOSTATO-METRO 4X6	4X6 PRE.SWITCH INLET PIPE
V.815	TOMA LAVADORA 2 METROS	2 MT.INLET WATER FLEXIBLE
V.825	TOMA LAVADORA 1.5 «ECO»	«ECO»1.5M INLET WA.FLEXIB
V.848	TOMA LAVADORA 1.5M INOX	INOX 1.5M INLET WATER FL.
V.849	TOMA LAV.INOX 2MT.3/4X3/4	INOX 2MT.INLET WATER FLE.
V.978	FILTRO DOSIFICADOR	DOSIMETER FILTER

REF.	DESCRIPCIÓN	DESCRIPTION
DH.231	PESO FILTRO	FILTER FITTING
ELF.8	TERMOSTATO CUBA	TANK THERMOSTAT
ELF.11	ROCIADOR ACLARADO	RINSE SPRAY
ELF.12	JUNTA RESISTENCIA	RESISTANCE GASKET
ELF.13	RESISTENCIA CALDERIN BE-35	BE-35 BOILER RESISTANCE
ELF.15	RESISTENCIA CUBA BE-35	BE-35 TANK RESISTANCE
ELF.43	T CALDERIN	BOILER T
ELF.47	REBOSADERO BE-35/BE-40	BE-40 OVERFLOW
ELF.48	JUNTA REBOSADERO	OUTLET GASKET
ELF.50	EJE	ROD
ELF.51	COLECTOR	COLLECTOR
ELF.52	EJE	ROD
ELF.54	COLECTOR INFERIOR	LOWER COLLECTOR
ELF.56	JUNTA	GASKET
ELF.73	CODO	ELBOW
ELF.74	TERMOSTATO	THERMOSTAT
ELF.75	TERMOSTATO CALDERIN	BOILER THERMOSTAT
ELF.76	TUERCA CALDERIN	BOILER NUT
ELF.77	VALVULA ANTIRETORNO	RETENTION VALVE
ELF.78	RACOR SOPORTE DESAGÜE	OUTLET PIPE SUPPORT FITTING
ELF.79	FILTRO	FILTER
ELF.80	PLETINA	PLATE
ELF.81	TUBO ASPIRACION	PIPE
ELF.82	CODO FILTRO	FILTER ELBOW
ELF.88	EJE GIRATORIO	GIRATORY ROD
ELF.89	JUNTA GIRATORIO	ROTATORY GASKET
ELF.92	EJE	ROD
ELF.93	TORICA COLECTOR	COLLECTOR RING
ELF.96	TAPA	COVER
ELF.97	CODO	ELBOW
ELF.98	COLECTOR SUPERIOR	UPPER COLLECTOR
ELF.99	CASQUILLO	CAP
ELF.100	DOSIFICADOR	DOSIMETER
ELF.101	CONJUNTO FILTRO	FILTER KIT
ELF.102	FILTRO	FILTER
ELF.103	JUNTA	GASKET
ELF.104	TAPA MOTOR	MOTOR COVER
ELF.105	MOTOR BE40	MOTOR BE40
ELF.106	CONDENSADOR	CONDENSER
ELF.107	JUNTA	GASKET
ELF.108	GIRATORIO ACLARADO	RINSE GIRATORY
ELF.109	GIRATORIO LAVADO	WASH GIRATORY
ELF.110	CASQUILLO SUPERIOR GIRATORIO	GIRATORY UPPER CAP
ELF.111	TUERCA SUPERIOR GIRATORIO	GIRATORY UPPER NUT
ELF.201	JUNTA	GASKET
H25807	ABRAZADERA 25-40	25-40 CLAMP
LB.170	ABRAZADERA 40-60	40-60 CLAMP
LB.173	ABRAZADERA 60-80	60-80 CLAMP
V...5	TUBO GOMA 10X16 20 ATM	20ATM 10X16 RUBBER PIPE
V...62	ABRAZADERA 12-20	12-20 CLAMP
V.132	ELECTROVALV.1 VIA LAV.220V	WASH 1 WAY 220V SOLENOID
V.201	TUBO DESAGÜE 28mm. 1,5mt.	28mm. 1.5mt OUTLET PIPE
V.415	TOMA LAVADORA 1,5M	QUALITY 1.5M.INLET W.FLEX
V.448	TUBO PRESOSTATO-METRO 4X6	4X6 PRE.SWITCH INLET PIPE
V.815	TOMA LAVADORA 2 METROS	2 MT.INLET WATER FLEXIBLE
V.825	TOMA LAVADORA 1.5 «ECO»	«ECO»1.5M INLET WA.FLEXIB
V.848	TOMA LAVADORA 1.5M INOX	INOX 1.5M INLET WATER FL.
V.849	TOMA LAV.INOX 2MT.3/4X3/4	INOX 2MT.INLET WATER FLE.
V.978	FILTRO DOSIFICADOR	DOSIMETER FILTER



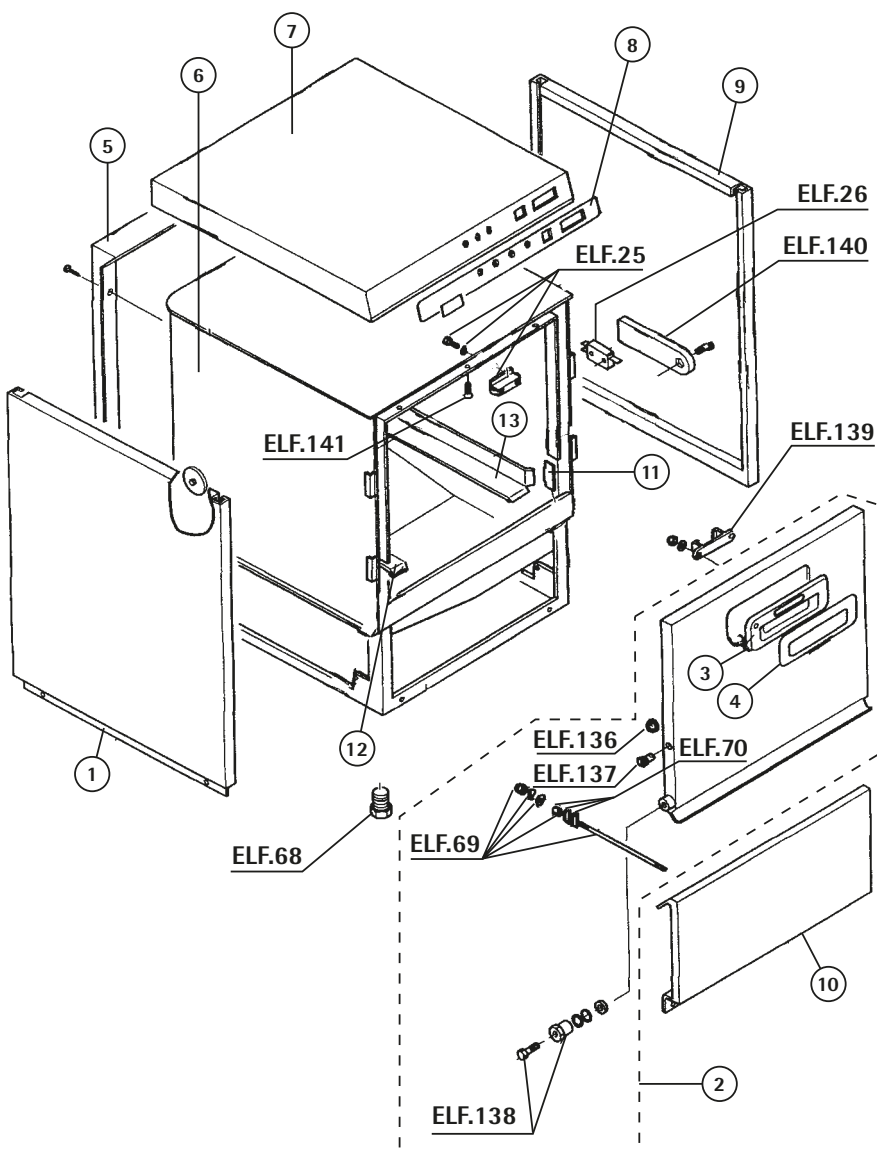
REF.	DESCRIPCIÓN	DESCRIPTION
DH.231	PESO FILTRO	FILTER FITTING
ELF.11	ROCIADOR ACLARADO	RINSE SPRAY
ELF.12	JUNTA RESISTENCIA	RESISTANCE GASKET
ELF.13	RESISTENCIA CALDERIN BE-35	BE-35 BOILER RESISTANCE
ELF.23	TERMOSTATO CUBA	TANK THERMOSTAT
ELF.36	RESISTENCIA CUBA	TANK RESISTANCE
ELF.43	T CALDERIN	BOILER T
ELF.48	JUNTA REBOSADERO	OUTLET GASKET
ELF.56	JUNTA	GASKET
ELF.73	CODO	ELBOW
ELF.74	TERMOSTATO	THERMOSTAT
ELF.76	TUERCA CALDERIN	BOILER NUT
ELF.77	VALVULA ANTIRETORNO	RETENTION VALVE
ELF.78	RACOR SOPORTE DESAGÜE	OUTLET PIPE SUPPORT FITTING
ELF.81	TUBO ASPIRACION	PIPE
ELF.88	EJE GIRATORIO	GIRATORY ROD
ELF.89	JUNTA GIRATORIO	ROTATORY GASKET
ELF.93	TORICA COLECTOR	COLLECTOR RING
ELF.94	COLECTOR INFERIOR	INFERIOR COLLECTOR
ELF.98	COLECTOR SUPERIOR	UPPER COLLECTOR
ELF.100	DOSIFICADOR	DOSIMETER
ELF.101	CONJUNTO FILTRO	FILTER KIT
ELF.103	JUNTA	GASKET
ELF.107	JUNTA	GASKET
ELF.111	TUERCA SUPERIOR GIRATORIO	GIRATORY UPPER NUT
ELF.112	FILTRO	FILTER
ELF.113	CODO	ELBOW
ELF.114	MANGUITO	SLEEVE
ELF.115	FILTRO	FILTER
ELF.116	CONDENSADOR	CONDENSER
ELF.117	EJE	ROD
ELF.118	REBOSADERO BE50	OVERFLOW BE50
ELF.119	TACO	GASKET
ELF.120	BASE FILTRO	FILTER BASE
ELF.121	TORICA	RING
ELF.122	JUNTA	GASKET
ELF.124	EJE GIRATORIO	GIRATORY ROD
ELF.125	BRAZO LAVADO BE50	WASHING ARM BE50
ELF.126	BRAZO LAVADO SUPERIOR	UPPER WASHING ARM
ELF.127	CASQUILLO SUPERIOR	UPPER CAP
ELF.129	MOTOR BE50	BE50 MOTOR
ELF.201	JUNTA	GASKET
H25807	ABRAZADERA 25-40	25-40 CLAMP
LB.170	ABRAZADERA 40-60	40-60 CLAMP
LB.173	ABRAZADERA 60-80	60-80 CLAMP
V...5	TUBO GOMA 10X16 20 ATM	20ATM 10X16 RUBBER PIPE
V...62	ABRAZADERA 12-20	12-20 CLAMP
V.132	ELECTROVALV.1 VIA LAV.220V	WASH 1 WAY 220V SOLENOID
V.201	TUBO DESAGÜE 28mm. 1,5mt.	28mm. 1.5mt OUTLET PIPE
V.415	TOMA LAVADORA 1,5M	QUALITY 1.5M.INLET W.FLEX
V.448	TUBO PRESOSTATO-METRO 4X6	4X6 PRE.SWITCH INLET PIPE
V.815	TOMA LAVADORA 2 METROS	2 MT.INLET WATER FLEXIBLE
V.825	TOMA LAVADORA 1.5 «ECO»	«ECO»1.5M INLET WA.FLEXIB
V.848	TOMA LAVADORA 1.5M INOX	INOX 1.5M INLET WATER FL.
V.849	TOMA LAV.INOX 2MT.3/4X3/4	INOX 2MT.INLET WATER FLE.
V.978	FILTRO DOSIFICADOR	DOSIMETER FILTER





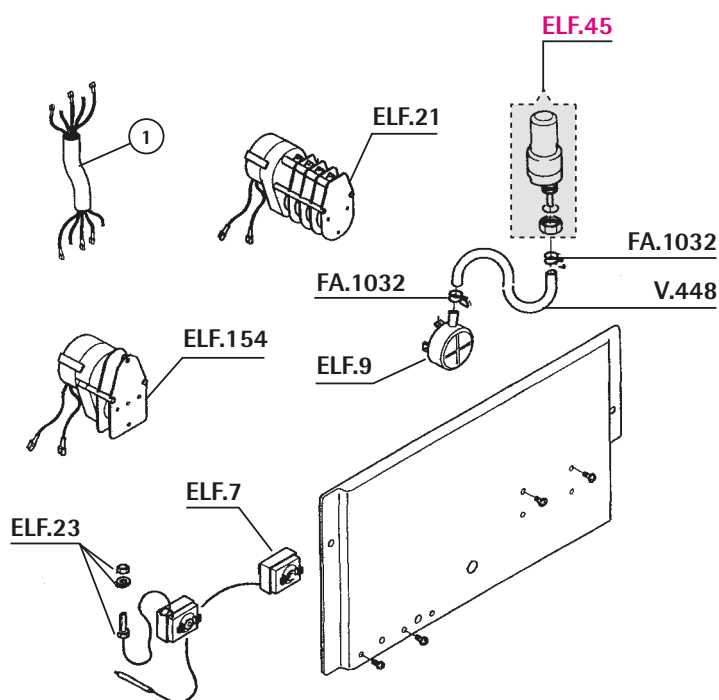
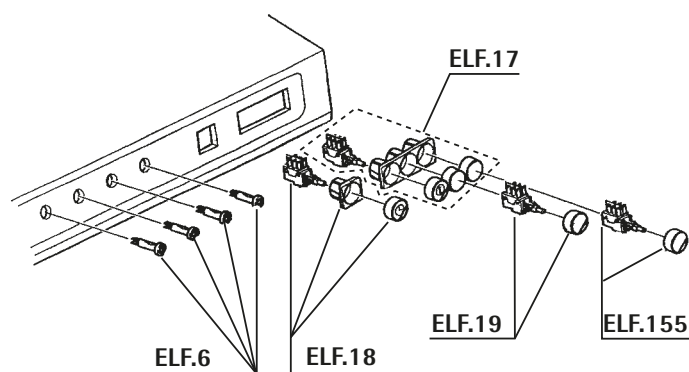
REF.	DESCRIPCIÓN	DESCRIPTION
ELF.57	CODO	ELBOW
ELF.128	FILTRO RESINA	SOFTENER
ELF.129	MOTOR BE50	BE50 MOTOR
ELF.130	BOTON INTERRUPTOR	SWITCH BUTTON
ELF.131	INTERRUPTOR	SWITCH
ELF.132	REBOSADERO BE35 - BE40	OVERFLOW BE35 - BE40
ELF.133	REBOSADERO BE50	OVERFLOW BE50
ELF.134	MANGUITO	SLEEVE
ELF.135	BOMBA DESAGÜE	DRAIN PUMP
ELF.191	PROGRAMADOR	TIMER
H25807	ABRAZADERA 25-40	25-40 CLAMP
LAV900	DEPURADOR LAVATAZAS	WASHING CUP PURIFIER
LAV901	DEPOSITO SAL COMPLETO	SALT CONTAINER
V...5	TUBO GOMA 10X16 20 ATM	20ATM 10X17 RUBBER PIPE
V...62	ABRAZADERA 12-20	12-20 CLAMP
V.134	ELECTROVAL.3VIA LAV.220V	WASH 3 WAYS 220V SOLENOID
V.201	TUBO DESAGÜE 28mm. 1,5mt.	28mm. 1.5mt OUTLET PIPE

Carrocería BD11 - BD13 ■ BD11 - BD13 Bodywork

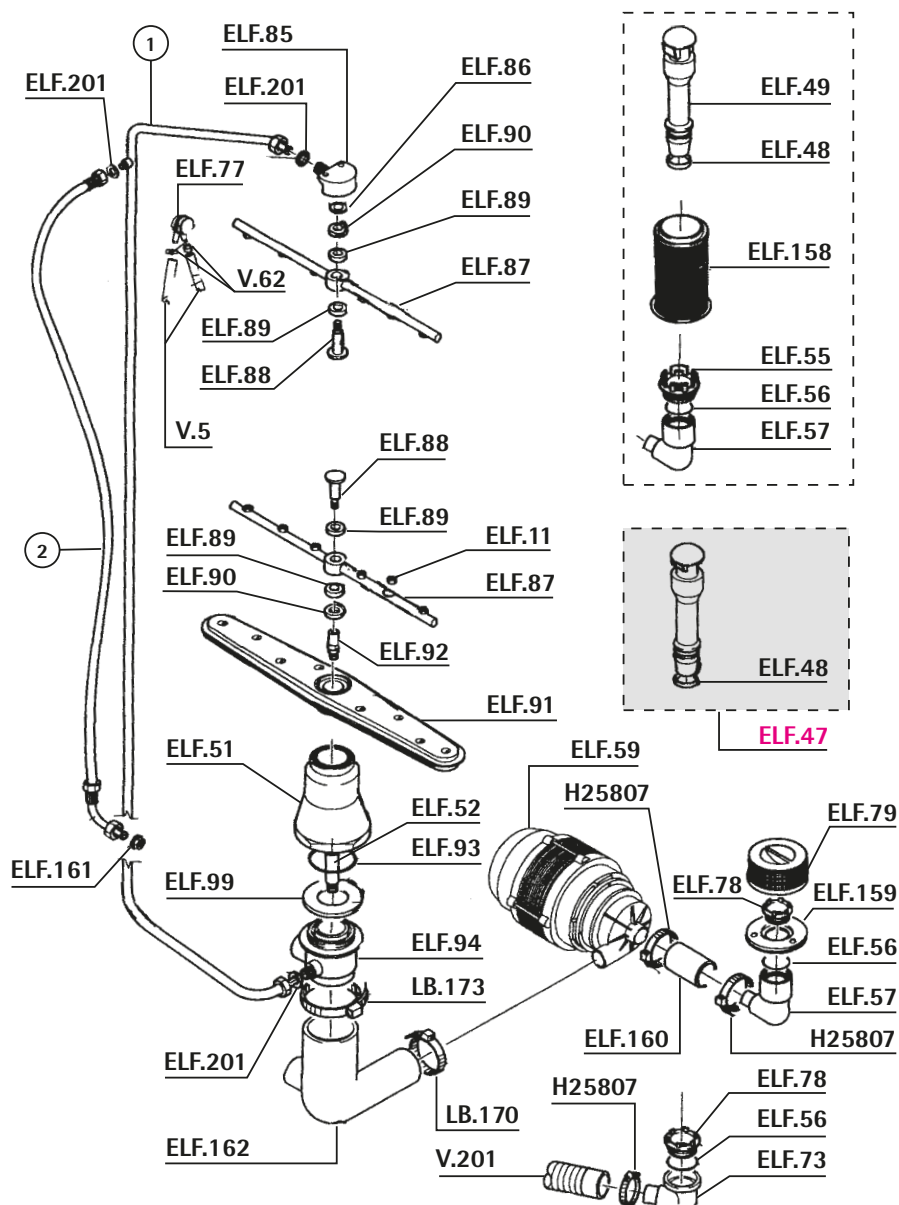


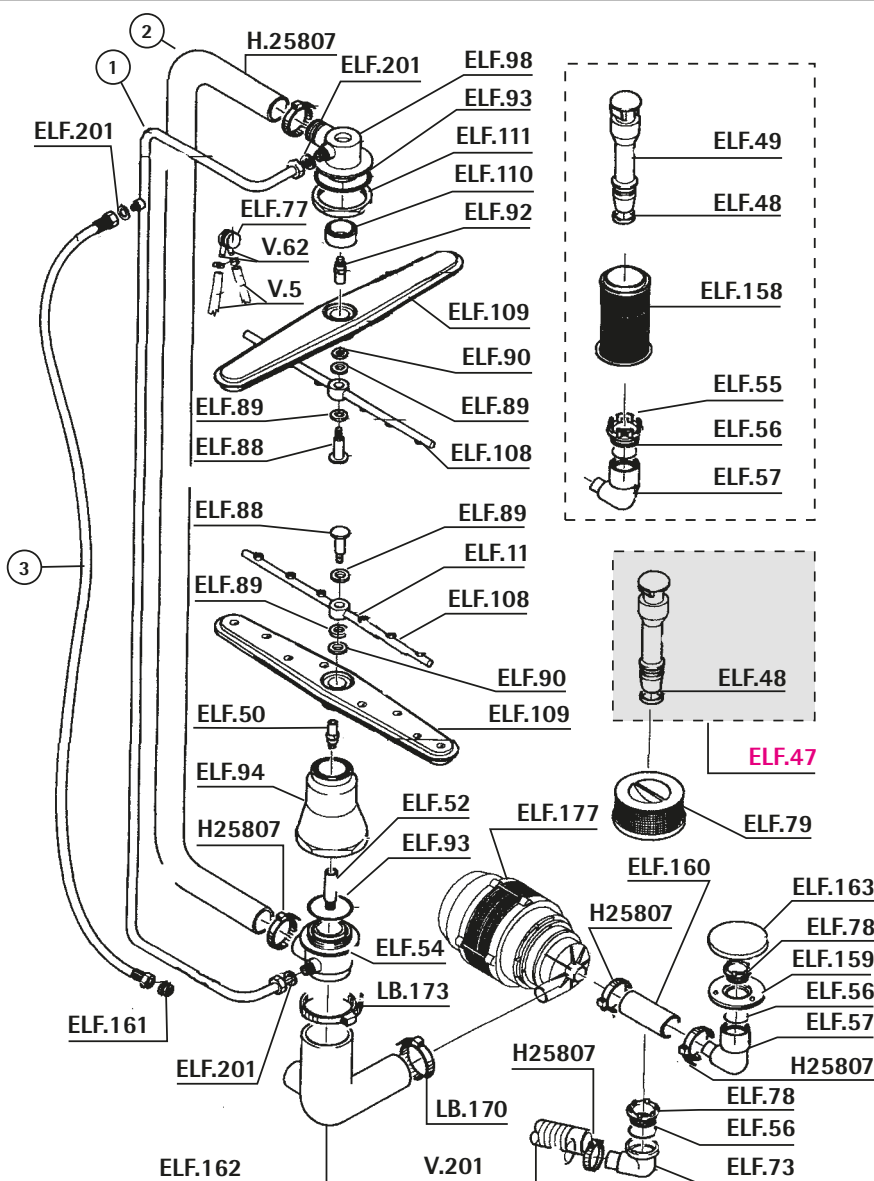
REF.	DESCRIPCIÓN	DESCRIPTION
ELF.25	CIERRE PUERTA	DOOR CLOSING
ELF.26	MICRO PUERTA	DOOR MICRO
ELF.68	PATA	FOOT
ELF.69	CONJUNTO GUIA PUERTA + VARILLA	BE50 KIT DOOR GUIDE + ROD
ELF.70	CONJUNTO GUIA PUERTA BE50	BE50 KIT DOOR GUIDE
ELF.136	ADAPTADOR	ADAPTOR
ELF.137	TORNILLO	SCREW
ELF.138	KIT PUERTA	DOOR KIT
ELF.139	PLACA CIERRE PUERTA	DOOR CLISING PLATE
ELF.140	SOPORTE LATERAL	LATERAL SUPPORT
ELF.141	PATA	FOOT

REF.	DESCRIPCIÓN	DESCRIPTION
ELF.6	PILOTO	LAMP
ELF.7	TERMOSTATO CALDERIN	BOILER THERMOSTAT
ELF.9	PRESOSTATO	PRESSURE SWITCH
ELF.17	BOTONERA	TOUCHPAD
ELF.18	INTERRUPTOR	SWITCH
ELF.19	INTERRUPTOR	SWITCH
ELF.21	PROGRAMADOR 4 MICROS	PROGRAMATEUR 4 LEVIER 120S
ELF.23	TERMOSTATO CUBA	TANK THERMOSTAT
ELF.45	CAMPANA PRESOSTATO	PRESSURE SWITCH BELL
ELF.154	PROGRAMADOR CICLO BD11- BD13	TIMER CYCLE
ELF.155	TUERCA	NUT
FA.1032	BRIDA	CLASP
V..448	TUBO PRESOSTATO-METRO 4X6	4X6 PRE.SWITCH INLET PIPE



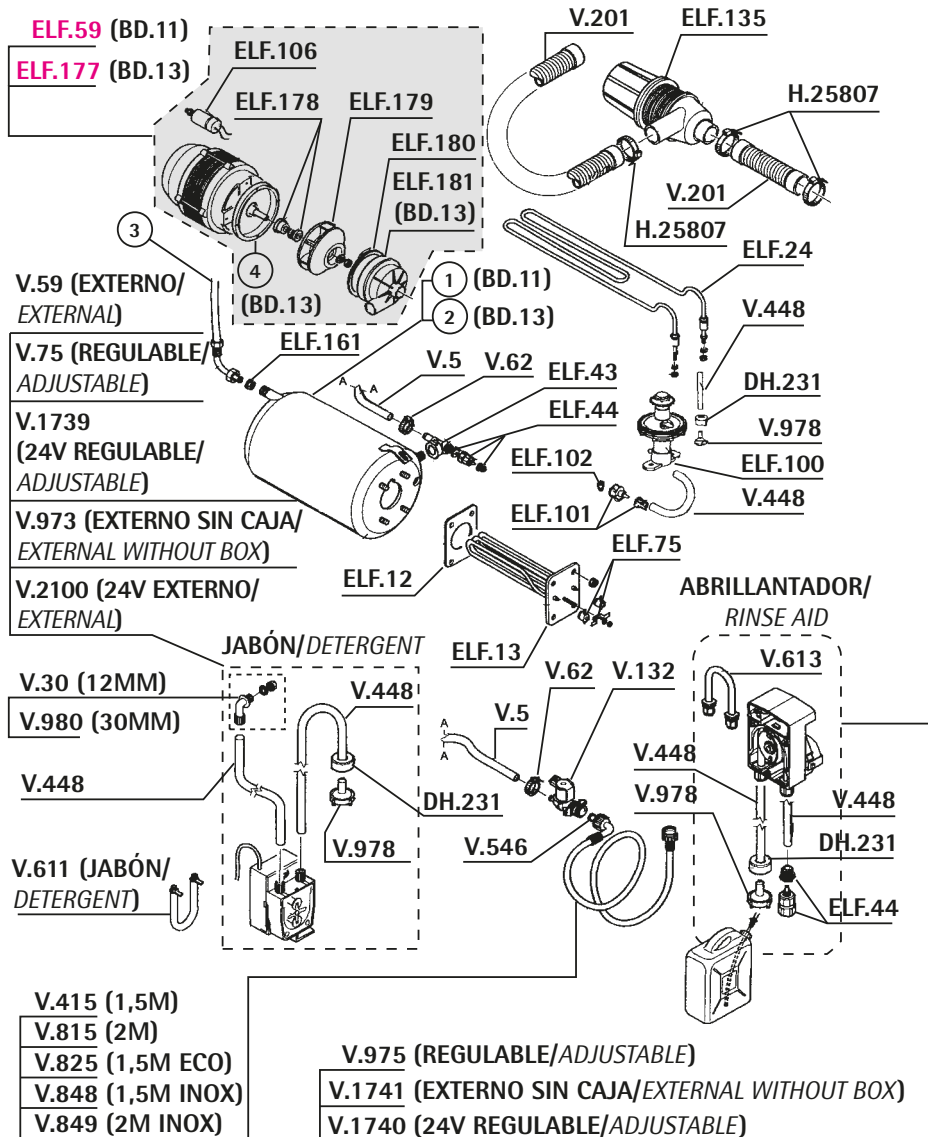
REF.	DESCRIPCIÓN	DESCRIPTION
ELF.11	ROCIADOR ACLARADO	RINSE SPRAY
ELF.47	REBOSADERO BE-35/BE-40	BE-40 OVERFLOW
ELF.48	JUNTA REBOSADERO	OUTLET GASKET
ELF.49	REBOSADERO BD-13	BD-13 OVERFLOW
ELF.51	COLECTOR	COLLECTOR
ELF.52	EJE	ROD
ELF.55	TUERCA	NUT
ELF.56	JUNTA	GASKET
ELF.57	CODO	ELBOW
ELF.59	MOTOR BD-11	BD-11 MOTOR
ELF.73	CODO	ELBOW
ELF.77	VALVULA ANTIRETORNO	RETENTION VALVE
ELF.78	RACOR SOPORTE DESAGÜE	OUTLET PIPE SUPPORT FITTING
ELF.79	FILTRO	FILTER
ELF.85	SOPORTE SUPERIOR GIRATORIO	ROTATORY UPPER SUPPORT
ELF.86	JUNTA SUPERIOR GIRATORIO	ROTATORY UPPER GASKET
ELF.87	GIRATORIO ACLARADO BE35	RINSE GIRATORY BE35
ELF.88	EJE GIRATORIO	GIRATORY ROD
ELF.89	JUNTA GIRATORIO	ROTATORY GASKET
ELF.90	JUNTA	GASKET
ELF.91	GIRATORIO LAVADO	WASH GIRATORY
ELF.92	EJE	ROD
ELF.93	TORICA COLECTOR	COLLECTOR RING
ELF.94	COLECTOR INFERIOR	INFERIOR COLLECTOR
ELF.99	CASQUILLO	CAP
ELF.158	FILTRO	FILTER
ELF.159	PLETINA FILTRO	FILTER PLATE
ELF.160	MANGUITO	SLEEVE
ELF.161	RACOR	FITTING
ELF.162	CODO BOMBA	PUMP ELBOW
H25807	JUNTA	GASKET
LB.170	ABRAZADERA 25-40	25-40 CLAMP
LB.173	ABRAZADERA 40-60	40-60 CLAMP
V....5	ABRAZADERA 60-80	60-80 CLAMP
V...62	TUBO GOMA 10X16 20 ATM	20ATM 10X17 RUBBER PIPE
V..201	ABRAZADERA 12-20	12-20 CLAMP
V..201	TUBO DESAGÜE 28mm. 1,5mt.	28mm. 1.5mt OUTLET PIPE





REF.	DESCRIPCIÓN	DESCRIPTION
ELF.11	ROCIADOR ACLARADO	RINSE SPRAY
ELF.47	REBOSADERO BE-35/BE-40	BE-40 OVERFLOW
ELF.48	JUNTA REBOSADERO	OUTLET GASKET
ELF.49	REBOSADERO BD-13	BD-13 OVERFLOW
ELF.50	EJE	ROD
ELF.52	EJE	ROD
ELF.54	COLECTOR	COLLECTO
ELF.55	TUERCA	NUT
ELF.56	JUNTA	GASKET
ELF.57	CODO	ELBOW
ELF.59	MOTOR BD-11	BD-11 MOTOR
ELF.73	CODO	ELBOW
ELF.77	VALVULA ANTIRETORNO	RETENTION VALVE
ELF.78	RACOR SOPORTE DESAGÜE	OUTLET PIPE SUPPORT FITTING
ELF.79	FILTRO	FILTER
ELF.85	SOPORTE SUPERIOR GIRATORIO	ROTATORY UPPER SUPPORT
ELF.87	GIRATORIO ACLARADO BE35	RINSE GIRATORIO BE35
ELF.88	EJE GIRATORIO	GIRATORY ROD
ELF.89	JUNTA GIRATORIO	ROTATORY GASKET
ELF.90	JUNTA	GASKET
ELF.92	EJE	ROD
ELF.93	TORICA COLECTOR	COLLECTOR RING
ELF.94	COLECTOR INFERIOR	INFERIOR COLLECTOR
ELF.98	COLECTOR	COLLECTOR
ELF.108	GIRATORIO ACLARADO	RINSE GIRATORIO
ELF.109	GIRATORIO LAVADO	WASH GIRATO
ELF.110	CASQUILLO	CAP
ELF.111	TUERCA	NUT
ELF.158	FILTRO	FILTER
ELF.159	PLETINA FILTRO	FILTER PLATE
ELF.160	MANGUITO	SLEEVE
ELF.161	RACOR	FITTING
ELF.162	CODO BOMBA	PUMP ELBOW
ELF.163	TAPON	LID
ELF.177	MOTOR BD-13	BD-13 MOTOR
ELF.201	JUNTA	GASKET
H25807	ABRAZADERA 25-40	25-40 CLAMP
LB.170	ABRAZADERA 40-60	40-60 CLAMP
LB.173	ABRAZADERA 60-80	60-80 CLAMP
V...5	TUBO GOMA 10X16 20 ATM	20ATM 10X17 RUBBER PIPE
V...62	ABRAZADERA 12-20	12-20 CLAMP
V.201	TUBO DESAGÜE 28mm. 1,5mt.	28mm. 1.5mt OUTLET PIPE

Bomba / Calderín / Dosificador / Resistencia BD11 - BD13 ■ BD11 - BD13 Resistance / Rinse aid dosimeter / Boiler / Pump



REF.	DESCRIPCIÓN	DESCRIPTION
DH.231	PESO FILTRO	FILTER FITTING
ELF.12	JUNTA RESISTENCIA	RESISTANCE GASKET
ELF.13	RESISTENCIA CALDERIN BE-35	BE-35 BOILER RESISTANCE
ELF.24	RESISTENCIA CUBA 2000W/230V	2000W/230V TANK RESISTANCE
ELF.43	T CALDERIN	BOILER T
ELF.44	VALVULA ANTIRRETORNO	NON-RETURN VALVE
ELF.59	MOTOR BD-11	BD-11 MOTOR
ELF.75	TERMOSTATO CALDERIN	BOILER THERMOSTAT
ELF.100	DOSIFICADOR	DOSIMETER
ELF.101	CONJUNTO FILTRO	FILTER KIT
ELF.102	FILTRO	FILTER
ELF.106	CONDENSADOR	CONDENSER
ELF.135	BOMBA DESAGÜE	DRAIN PUMP
ELF.161	RACOR	FITTING
ELF.177	MOTOR BD13	BD13 MOTOR
ELF.178	RETEN MOTOR	MOTOR MECHANICAL SEAL
ELF.179	TURBINA MOTOR	MOTOR TURBINE
ELF.180	JUNTA TAPA MOTOR	MOTOR LID GASKET
ELF.181	TAPA MOTOR	MOTOR LID
H25807	ABRAZADERA 25-40	25-40 CLAMP
V...5	TUBO GOMA 10X16 20 ATM	20ATM 10X17 RUBBER PIPE
V...30	RACOR ENTRADA JABON	INLET SOAP FITTING
V...59	DOSIFICADOR PERISTALTICO	DOSIMETER
V...62	ABRAZADERA 12-20	12-20 CLAMP
V...75	DOSIF.PERISTALTICO REGULA	ADJUSTABLE DOSIMETER
V.132	ELECTROVAL.1 VIA LAV.220V	WASH 1 WAY 220V SOLENOID
V.201	TUBO DESAGÜE 28mm. 1,5mt.	28mm. 1.5mt OUTLET PIPE
V.415	TOMA LAVADORA 1,5M	QUALITY 1.5M.INLET W.FLEX
V.448	TUBO PRESOSTATO-METRO 4X6	4X6 PRE.SWITCH INLET PIPE
V.546	JUNTA GOMA 3/4	WATER INLET RUBBER GASKET
V.611	TUBO INTERIOR DOS.PER. JABON	INLET PIPE
V.613	TUBO INTERIOR DOS.PER.ABRILLAN	RINS.AID INSIDE PIPE
V.815	TOMA LAVADORA 2 METROS	2 MT.INLET WATER FLEXIBLE
V.825	TOMA LAVADORA 1.5 «ECO»	«ECO»1.5M INLET WA.FLEX
V.848	TOMA LAVADORA 1.5M INOX	INOX 1.5M INLET WATER FL.
V.849	TOMA LAV.INOX 2MT.3/4X3/4	INOX 2MT.INLET WATER FLE.
V.973	DOSIFICADOR PERISTALTICO INTER	INTERNAL PERISTALTIC DOS.
V.975	DOSIFICADOR ABRILLANTADOR EXT.	EXTERNAL RINSE DOSIMETER
V.978	FILTRO DOSIFICADOR	DOSIMETER FILTER
V.980	RACOR ENTRADA JABON LARGO	LONG INLET FITTING
V.1739	DOSIF.PERISTAL.REGULABLE 24Vac	24Vac ADJUSTABLE DOSIMETER
V.1740	DOSIF.ABRILLAN.EXTERNO 24Vac	24Vac EXTERNAL RINSE DOSIMETER
V.1741	DOSIF.ABRILLAN.INTERNO 230V AC	230Vac INTERNAL RINSE DOSIMET
V.2100	DOSIFICADOR PERISTAL.JABON 24V	24V SOAP DOSIMETER

911

Carrocería BD14 -BD22 ■ **BD14 - BD22 Bodywork**

ELFRAMO

Lavavajillas
Dishwashers

REF.	DESCRIPCIÓN	DESCRIPTION
ELF.26	MICRO PUERTA	DOOR MICRO
ELF.50	EJE	ROD
ELF.69	CONJUNTO GUIA PUERTA + VARILLA	BE50 KIT DOOR GUIDE + ROD
ELF.70	CONJUNTO GUIA PUERTA BE50	BE50 KIT DOOR GUIDE
ELF.136	ADAPTADOR	ADAPTOR
ELF.137	TORNILLO	SCREW
ELF.138	KIT PUERTA	DOOR KIT
ELF.141	PATA	FOOT
ELF.142	BISAGRA IZQUIERDA	LEFT HINGE
ELF.143	BISAGRA DERECHA	RIGHT HINGE
ELF.144	MUELLE	SPRING
ELF.145	TORNILLO BISAGRA	HINGE SCREW
ELF.146	JUNTA	GASKET
ELF.147	CORREA	STRAP
ELF.148	POLEA	PULLEY
ELF.149	TORNILLO POLEA	PULLEY SCREW
ELF.151	COJINETE	BALL BEARING
ELF.152	ARANDELA	WASHER

912

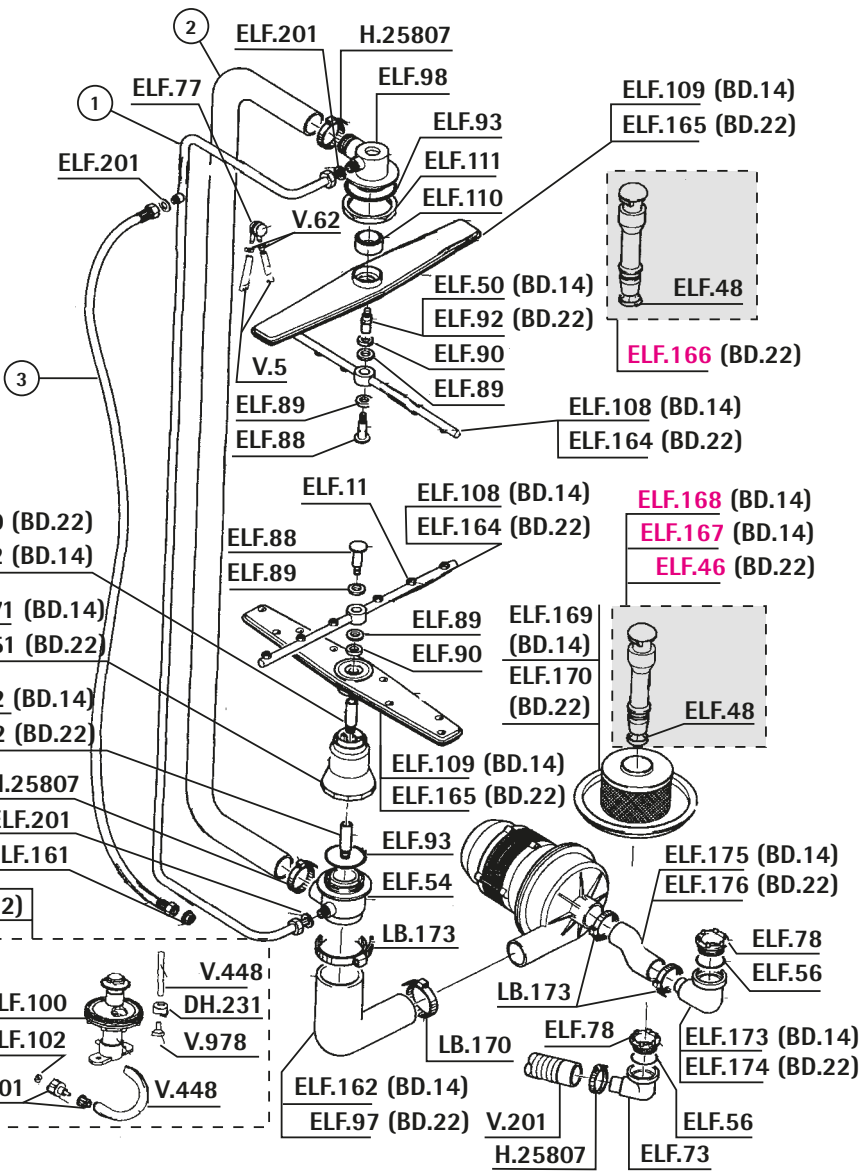
Componentes eléctricos BD14 - BD22 ■ **BD14 - BD22 Electric components**

ELFRAMO

Lavavajillas
Dishwashers

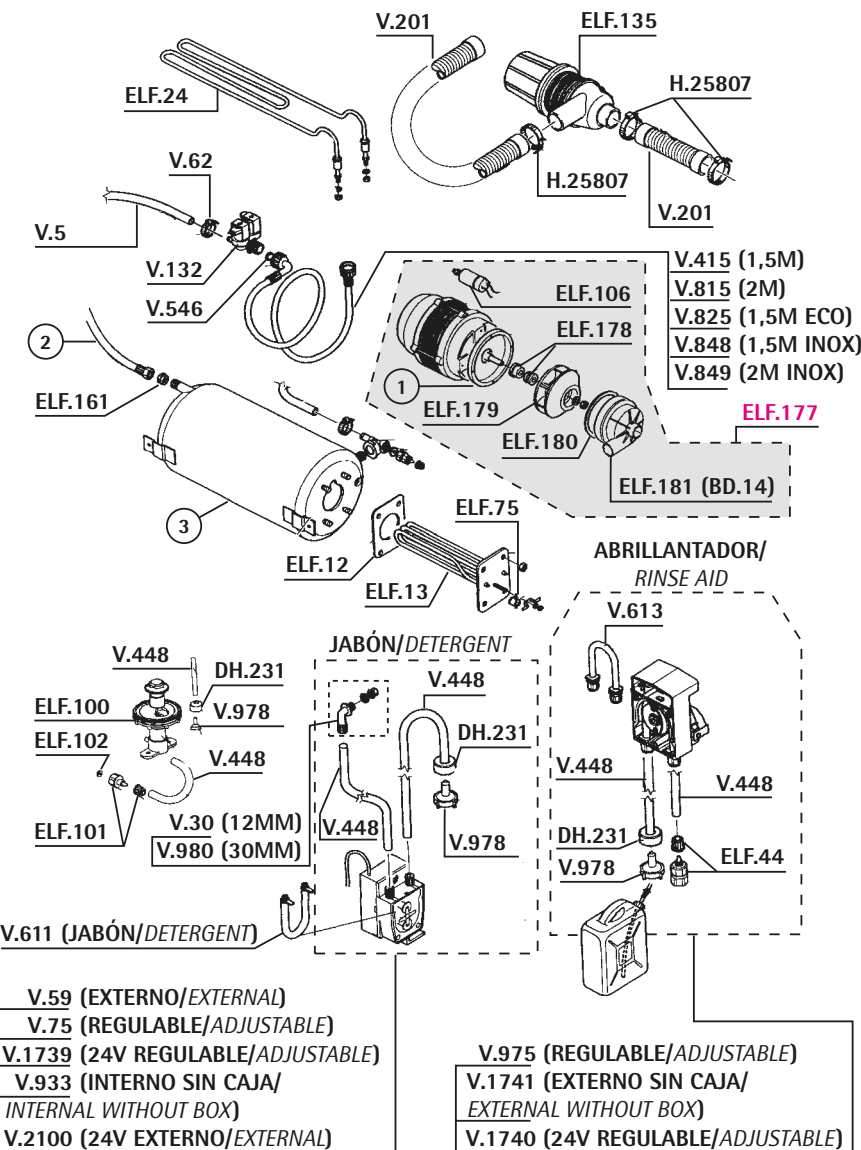
REF.	DESCRIPCIÓN	DESCRIPTION
ELF.6	PILOTO	LAMP
ELF.7	TERMOSTATO CALDERIN	BOILER THERMOSTAT
ELF.9	PRESOSTATO	PRESSURE SWITCH
ELF.18	INTERRUPTOR	SWITCH
ELF.19	INTERRUPTOR	SWITCH
ELF.21	PROGRAMADOR 4 MICROS	PROGRAMATEUR 4 LEVIER 120S
ELF.23	TERMOSTATO CUBA	TANK THERMOSTAT
ELF.32	INTERRUPTOR	SWITCH
ELF.45	CAMPANA PRESOSTATO	PRESSURE SWITCH BELL
ELF.56	JUNTA	GASKET
ELF.154	PROGRAMADOR CICLO BD11 - BD13	TIMER CYCLE
ELF.157	INTERRUPTOR	SWITCH
FA.1032	BRIDA	CLASP
V.448	TUBO PRESOSTATO-METRO 4X6	4X6 PRE.SWITCH INLET PIPE

ascaso



REF.	DESCRIPCIÓN	DESCRIPTION
DH.231	PESO FILTRO	FILTER FITTING
ELF.11	ROCIADOR ACLARADO	RINSE SPRAY
ELF.46	REBOSADERO D-30/BD22	D-30 OVERFLOW
ELF.48	JUNTA REBOSADERO	OUTLET GASKET
ELF.50	EJE	ROD
ELF.52	EJE	ROD
ELF.54	COLECTOR INFERIOR	LOWER COLLECTOR
ELF.56	JUNTA	GASKET
ELF.73	CODO	ELBOW
ELF.77	VALVULA ANTIRETORNO	RETENTION VALVE
ELF.78	RACOR SOPORTE DESAGÜE	OUTLET PIPE SUPPORT FITTING
ELF.88	EJE GIRATORIO	GIRATORY ROD
ELF.89	JUNTA GIRATORIO	ROTATORY GASKET
ELF.90	JUNTA	GASKET
ELF.92	EJE	ROD
ELF.93	TORICA COLECTOR	COLLECTOR RING
ELF.97	CODO	ELBOW
ELF.98	COLECTOR SUPERIOR	UPPER COLLECTOR
ELF.100	DOSIFICADOR	DOSIMETER
ELF.101	CONJUNTO FILTRO	FILTER KIT
ELF.102	FILTRO	FILTER
ELF.108	GIRATORIO ACLARADO	RINSE GIRATORY
ELF.109	GIRATORIO LAVADO	WASH GIRATORY
ELF.110	CASQUILLO SUPERIOR GIRATORIO	GIRATORY UPPER CAP
ELF.111	TUERCA SUPERIOR GIRATORIO	GIRATORY UPPER NUT
ELF.151	COJINETE	BALL BEARING
ELF.161	RACOR	FITTING
ELF.162	CODO BOMBA	PUMP ELBOW
ELF.164	GIRATORIO ACLARADO BD22	RINSE GIRATORY DB22
ELF.165	GIRATORIO LAVADO BD22	WASHING GIRATORY
ELF.166	SOBRENIVEL BD22	BD22 OVERFLOW
ELF.167	SOBRENIVEL BD14	BD14 OVERFLOW
ELF.168	SOBRENIVEL BD14	BD14 OVERFLOW
ELF.169	FILTRO BD14	BD14 FILTER
ELF.170	FILTRO BD22	BD22 FILTER
ELF.171	COLECTOR INFERIOR BD14	BD14 LOWER ROD
ELF.172	EJE INFERIOR BD14	BD14 LOWER ROD
ELF.173	CODO BOMBA BD14	BD14 PUMP ELBOW
ELF.174	CODO BOMBA	PUMP ELBOW
ELF.175	MANGUITO BOMBA BD14	PUMP SLEEVE BD14
ELF.176	MANGUITO BOMBA BD22	PUMP SLEEVE BD22
ELF.201	JUNTA	GASKET
H25807	ABRAZADERA 25-40	25-40 CLAMP
LB.170	ABRAZADERA 40-60	40-60 CLAMP
LB.173	ABRAZADERA 60-80	60-80 CLAMP
V...5	TUBO GOMA 10X16 20 ATM	20ATM 10X17 RUBBER PIPE
V...62	ABRAZADERA 12-20	12-20 CLAMP
V.201	TUBO DESAGÜE 28mm. 1,5mt.	28mm. 1.5mt OUTLET PIPE
V.448	TUBO PRESOSTATO-METRO 4X6	4X6 PRE.SWITCH INLET PIPE
V.978	FILTRO DOSIFICADOR	DOSIMETER FILTER

Bomba / Calderín / Dosificador / Resistencia BD14 ■ BD14 Resistance / Rinse aid dosimeter / Boiler / Pump



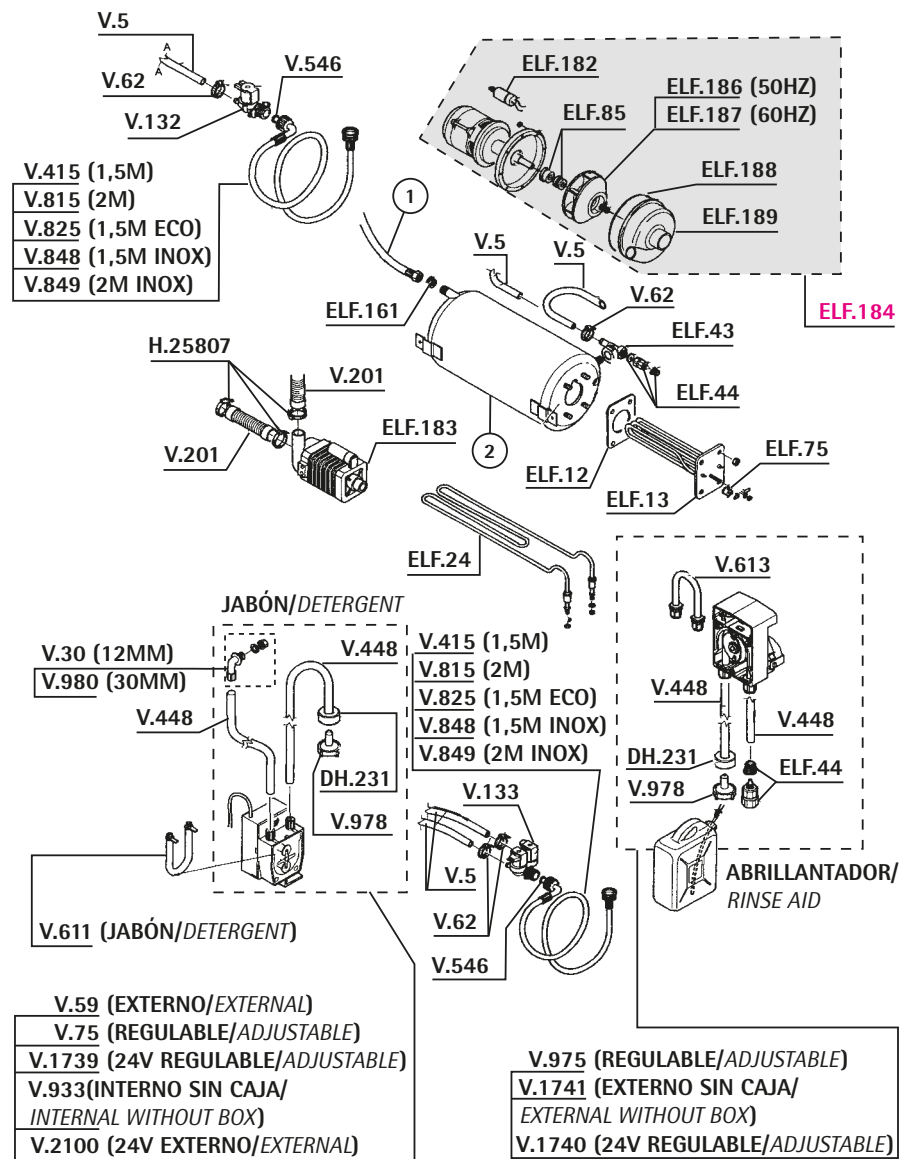
REF.	DESCRIPCIÓN	DESCRIPTION
DH.231	PESO FILTRO	FILTER FITTING
ELF.12	JUNTA RESISTENCIA	RESISTANCE GASKET
ELF.13	RESISTENCIA CALDERIN BE-35	BE-35 BOILER RESISTANCE
ELF.24	RESISTENCIA CUBA 2000W/230V	2000W/230V TANK RESISTANCE
ELF.44	VALVULA ANTIRETORNO	NON-RETURN VALVE
ELF.75	TERMOSTATO CALDERIN	BOILER THERMOSTAT
ELF.100	DOSIFICADOR	DOSIMETER
ELF.101	CONJUNTO FILTRO	FILTER KIT
ELF.102	FILTRO	FILTER
ELF.106	CONDENSADOR	CONDENSER
ELF.135	BOMBA DESAGÜE	DRAIN PUMP
ELF.161	RACOR	FITTING
ELF.177	MOTOR BD13	BD13 MOTOR
ELF.178	RETEN MOTOR	MOTOR MECHANICAL SEAL
ELF.179	TURBINA MOTOR	MOTOR TURBINE
ELF.180	JUNTA TAPA MOTOR	MOTOR LID GASKET
ELF.181	TAPA MOTOR	MOTOR LID
H25807	ABRAZADERA 25-40	25-40 CLAMP
V...5	TUBO GOMA 10X16 20 ATM	20ATM 10X17 RUBBER PIPE
V...30	RACOR ENTRADA JABON	INLET SOAP FITTING
V...59	DOSIFICADOR PERISTALTICO	DOSIMETER
V...62	ABRAZADERA 12-20	12-20 CLAMP
V...75	DOSIF.PERISTALTICO REGULA	ADJUSTABLE DOSIMETER
V.132	ELECTROVAL.1 VIA LAV.220V	WASH 1 WAY 220V SOLENOID
V.201	TUBO DESAGÜE 28mm. 1,5mt.	28mm. 1.5mt OUTLET PIPE
V.415	TOMA LAVADORA 1,5M	QUALITY 1.5M.INLET W.FLEX
V.448	TUBO PRESOSTATO-METRO 4X6	4X6 PRE.SWITCH INLET PIPE
V.546	JUNTA GOMA 3/4	WATER INLET RUBBER GASKET
V.611	TUBO INTERIOR DOS.PER. JABON	INLET PIPE
V.613	TUBO INTERIOR DOS.PER.ABRILLAN	RINS.AID INSIDE PIPE
V.815	TOMA LAVADORA 2 METROS	2 MT.INLET WATER FLEXIBLE
V.825	TOMA LAVADORA 1.5 «ECO»	«ECO»1.5M INLET WA.FLEXIB
V.848	TOMA LAVADORA 1.5M INOX	INOX 1.5M INLET WATER FL.
V.849	TOMA LAV.INOX 2MT.3/4X3/4	INOX 2MT.INLET WATER FLE.
V.933	TORNILLO INOX M4x8mm	M4X8mm INOX SCREW
V.975	DOSIFICADOR ABRILLANTADOR EXT.	EXTERNAL RINSE DOSIMETER
V.978	FILTRO DOSIFICADOR	DOSIMETER FILTER
V.980	RACOR ENTRADA JABON LARGO	LONG INLET FITTING
V.1739	DOSIF.PERISTAL.REGULABLE 24Vac	24Vac ADJUSTABLE DOSIMETER
V.1740	DOSIF.ABRILLAN.EXTERNO 24Vac	24Vac EXTERNAL RINSE DOSIMETER
V.1741	DOSIF.ABRILLAN.INTERNO 230V AC	230Vac INTERNAL RINSE DOSIMET
V.2100	DOSIFICADOR PERISTAL.JABON 24V	24V SOAP DOSIMETER

Si no encuentra el componente que busca, llámenos, le ayudaremos.

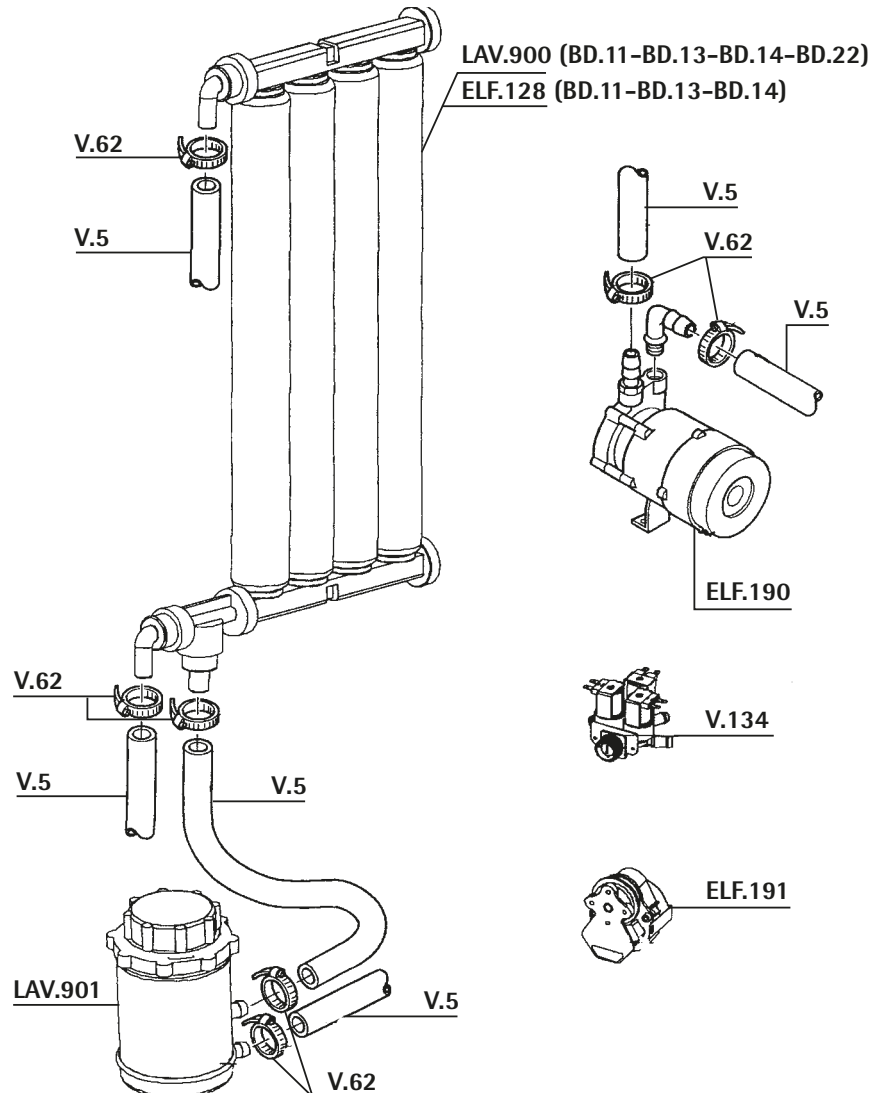


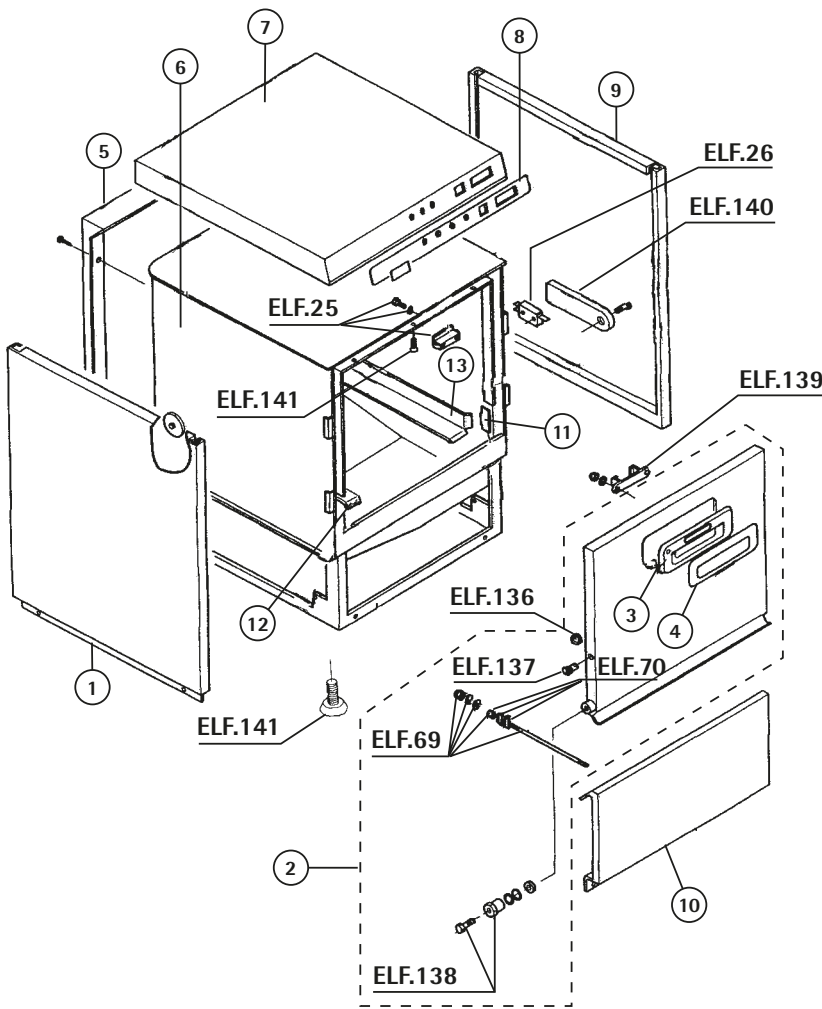
Tel: 93 377 64 11
Fax: 93 377 98 03
ascaso@ascaso.com

REF.	DESCRIPCIÓN	DESCRIPTION
DH.231	PESO FILTRO	FILTER FITTING
ELF.12	JUNTA RESISTENCIA	RESISTANCE GASKET
ELF.13	RESISTENCIA CALDERIN BE-35	BE-35 BOILER RESISTANCE
ELF.24	RESISTENCIA CUBA 2000W/230V	2000W/230V TANK RESISTANCE
ELF.43	T CALDERIN	BOILER T
ELF.44	VALVULA ANTIRRETORNO	NON-RETURN VALVE
ELF.75	TERMOSTATO CALDERIN	BOILER THERMOSTAT
ELF.85	SOPORTE SUPERIOR GIRATORIO	ROTATORY UPPER SUPPORT
ELF.161	RACOR	FITTING
ELF.182	CONDENSADOR BD22	CONDENSER BD22
ELF.183	BOMBA DESAGÜE BD22	BD22 DRAIN PIPE
ELF.184	MOTOR BD22	BD22 MOTOR
ELF.186	TURBINA (50 HZ)	TURBINE (50 HZ)
ELF.187	TURBINA (60 HZ)	TURBINE (60 HZ)
ELF.188	JUNTA TAPA MOTOR BD22	BD22 MOTOR LID GASKET
ELF.189	TAPA MOTOR	MOTOR LID
H25807	ABRAZADERA 25-40	25-40 CLAMP
V...5	TUBO GOMA 10X16 20 ATM	20ATM 10X17 RUBBER PIPE
V...30	RACOR ENTRADA JABON	INLET SOAP FITTING
V...59	DOSIFICADOR PERISTALTICO	DOSIMETER
V...62	ABRAZADERA 12-20	12-20 CLAMP
V...75	DOSIF.PERISTALTICO REGULA	ADJUSTABLE DOSIMETER
V..132	ELECTROVAL.1 VIA LAV.220V	WASH 1 WAY 220V SOLENOID
V..133	ELECTROVAL.2 VIA LAV.220V	WASH 2 WAYS 220V SOLENOID
V..201	TUBO DESAGÜE 28mm. 1,5mt.	28mm. 1.5mt OUTLET PIPE
V..415	TOMA LAVADORA 1,5M	QUALITY 1.5M.INLET W.FLEX
V..448	TUBO PRESOSTATO-METRO 4X6	4X6 PRE.SWITCH INLET PIPE
V..546	JUNTA GOMA 3/4	WATER INLET RUBBER GASKET
V..611	TUBO INTERIOR DOS.PER. JABON	INLET PIPE
V..613	TUBO INTERIOR DOS.PER.ABRILLAN	RINS.AID INSIDE PIPE
V..815	TOMA LAVADORA 2 METROS	2 MT.INLET WATER FLEXIBLE
V..825	TOMA LAVADORA 1.5 «ECO»	«ECO»1.5M INLET WA.FLEXIB
V..848	TOMA LAVADORA 1.5M INOX	INOX 1.5M INLET WATER FL.
V..849	TOMA LAV.INOX 2MT.3/4X3/4	INOX 2MT.INLET WATER FLE.
V..933	TORNILLO INOX M4x8mm	M4X8mm INOX SCREW
V..975	DOSIFICADOR ABRILLANTADOR EXT.	EXTERNAL RINSE DOSIMETER
V..978	FILTRO DOSIFICADOR	DOSIMETER FILTER
V..980	RACOR ENTRADA JABON LARGO	LONG INLET FITTING
V.1739	DOSIF.PERISTAL.REGULABLE 24Vac	24Vac ADJUSTABLE DOSIMETER
V.1740	DOSIF.ABRILLAN.EXTERNO 24Vac	24Vac EXTERNAL RINSE DOSIMETER
V.1741	DOSIF.ABRILL.INTERNO 230V AC	230Vac INTERNAL RINSE DOSIMET
V.2100	DOSIFICADOR PERISTAL.JABON 24V	24V SOAP DOSIMETER

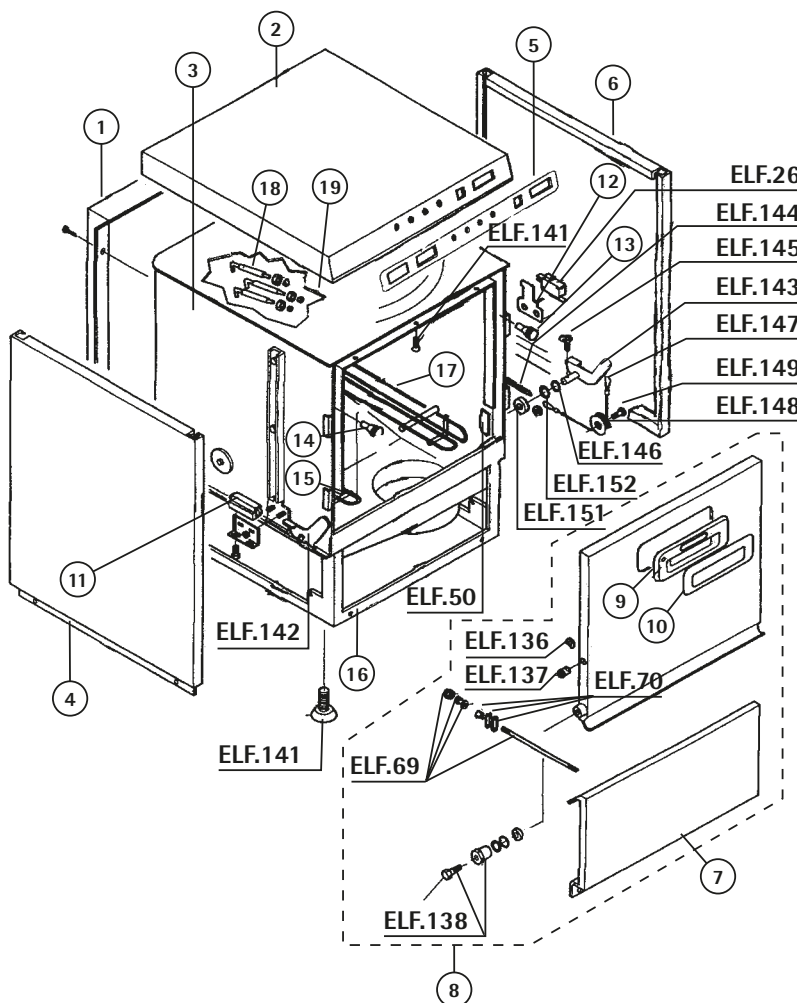


REF.	DESCRIPCIÓN	DESCRIPTION
ELF.128	FILTRO RESINA	SOFTENER
ELF.190	BOMBA (230 V 50 HZ)	PUMP (230 V 50 HZ)
ELF.191	PROGRAMADOR	TIMER
LAV900	DEPURADOR LAVATAZAS	WASHING CUP PURIFIER
LAV901	DEPOSITO SAL COMPLETO	SALT CONTAINER
V...5	TUBO GOMA 10X16 20 ATM	20ATM 10X17 RUBBER PIPE
V...62	ABRAZADERA 12-20	12-20 CLAMP
V..134	ELECTROVAL.3VIA LAV.220V	WASH 3 WAYS 220V SOLENOID



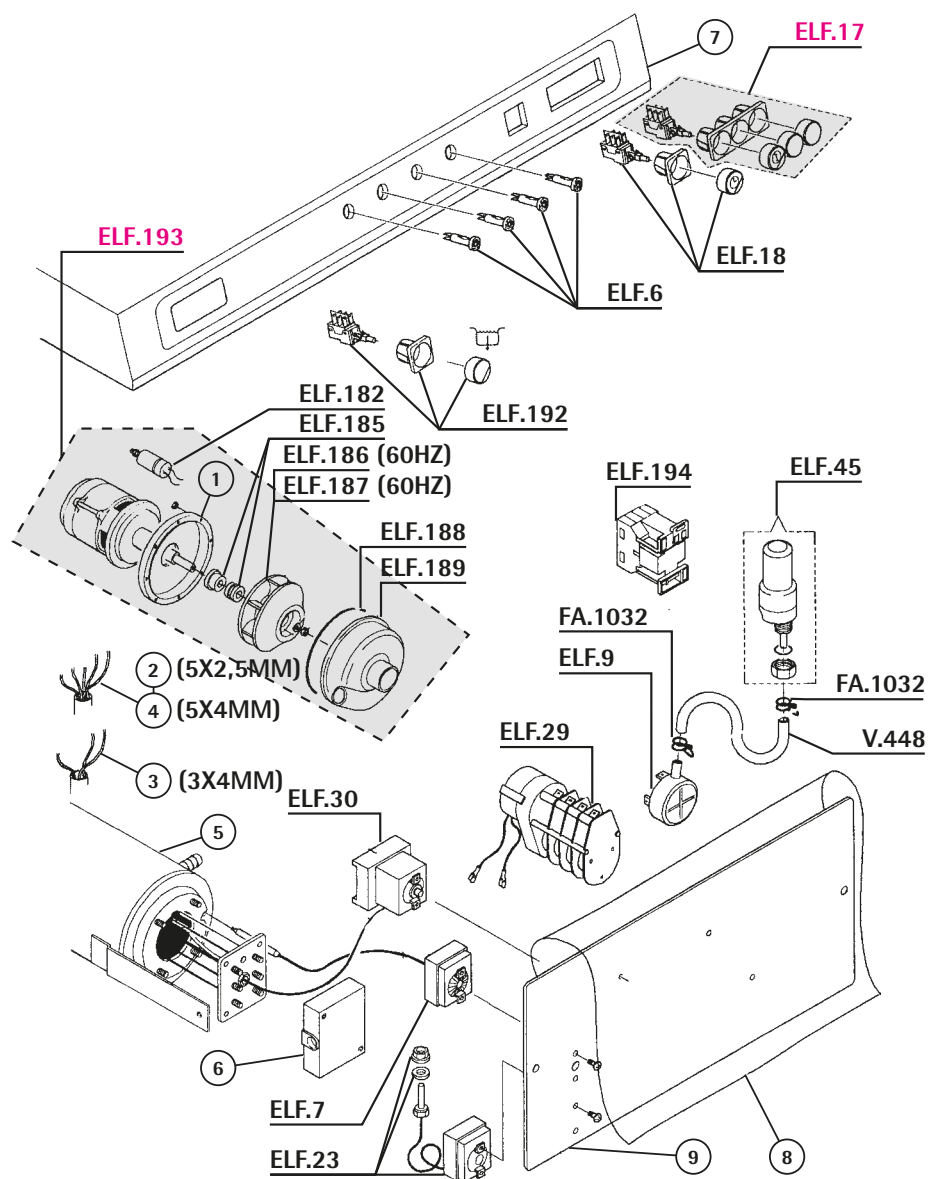


REF.	DESCRIPCIÓN	DESCRIPTION
ELF.25	CIERRE PUERTA	DOOR CLOSING
ELF.26	MICRO PUERTA	DOOR MICRO
ELF.69	CONJUNTO GUIA PUERTA + VARILLA	BE50 KIT DOOR GUIDE + ROD
ELF.70	CONJUNTO GUIA PUERTA BE50	BE50 KIT DOOR GUIDE
ELF.136	ADAPTADOR	ADAPTOR
ELF.137	TORNILLO	SCREW
ELF.138	KIT PUERTA	DOOR KIT
ELF.139	PLACA CIERRE PUERTA	DOOR CLISING PLATE
ELF.140	SOPORTE LATERAL	LATERAL SUPPORT
ELF.141	PATA	FOOT

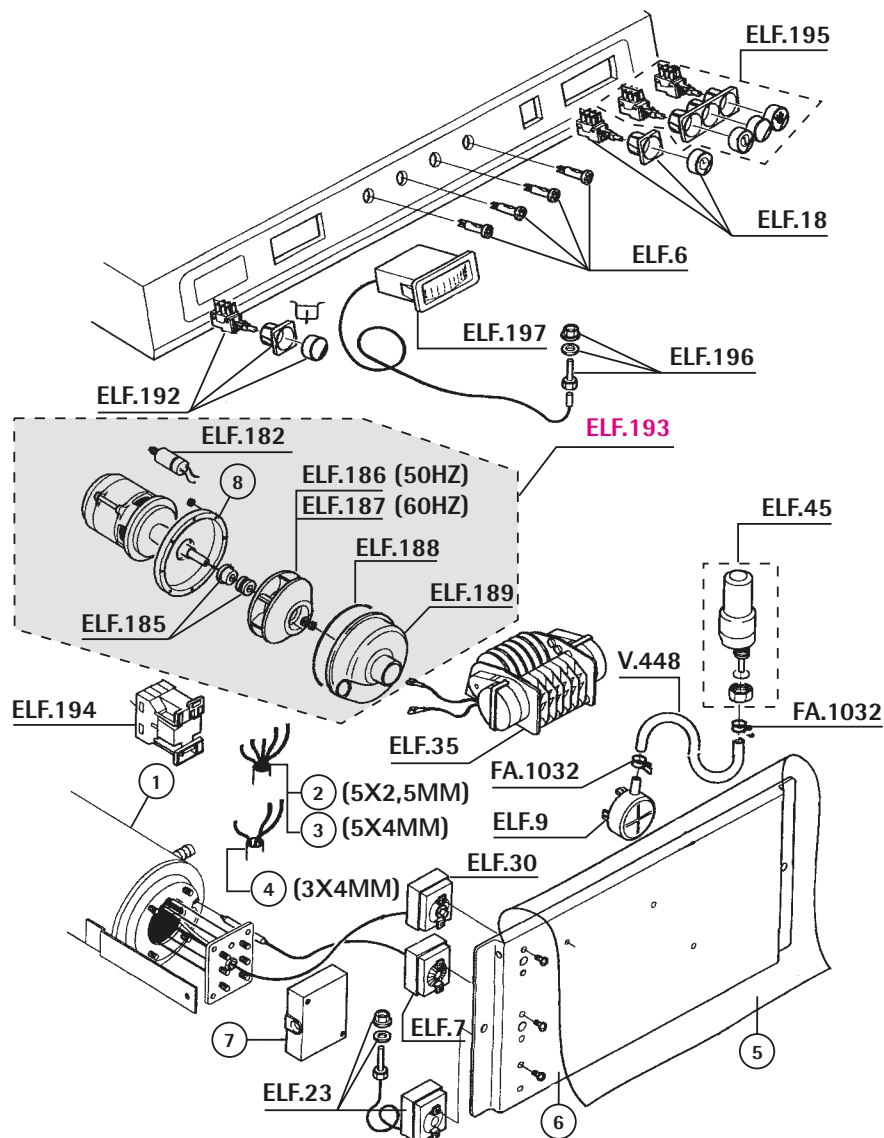


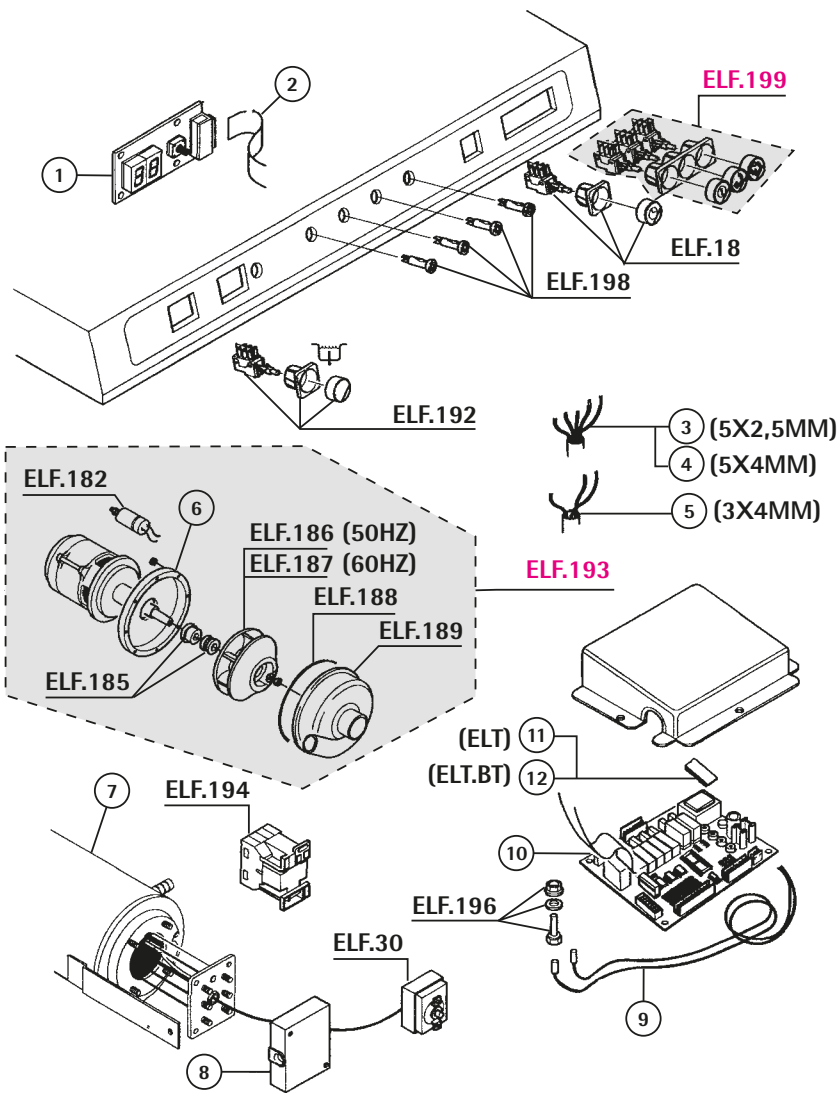
REF.	DESCRIPCIÓN	DESCRIPTION
ELF.26	MICRO PUERTA	DOOR MICRO
ELF.50	EJE	ROD
ELF.69	CONJUNTO GUIA PUERTA + VARILLA	BE50 KIT DOOR GUIDE + ROD
ELF.70	CONJUNTO GUIA PUERTA BE50	BE50 KIT DOOR GUIDE
ELF.136	ADAPTADOR	ADAPTOR
ELF.137	TORNILLO	SCREW
ELF.138	KIT PUERTA	DOOR KIT
ELF.141	PATA	FOOT
ELF.142	BISAGRA IZQUIERDA	LEFT HINGE
ELF.143	BISAGRA DERECHA	RIGHT HINGE
ELF.144	MUELLE	SPRING
ELF.145	TORNILLO BISAGRA	HINGE SCREW
ELF.146	JUNTA	GASKET
ELF.147	CORREA	STRAP
ELF.148	POLEA	PULLEY
ELF.149	TORNILLO POLEA	PULLEY SCREW
ELF.151	COJINETE	BALL BEARING
ELF.152	ARANDELA	WASHER

REF.	DESCRIPCIÓN	DESCRIPTION
ELF.6	PILOTO	LAMP
ELF.7	TERMOSTATO CALDERIN	BOILER THERMOSTAT
ELF.9	PRESOSTATO	PRESSURE SWITCH
ELF.17	BOTONERA	TOUCHPAD
ELF.18	INTERRUPTOR	SWITCH
ELF.23	TERMOSTATO CUBA	TANK THERMOSTAT
ELF.29	PROGRAMADOR 4 MICROS	4 TOOTH 180S TIMER
ELF.30	TERMOSTATO SEGURIDAD	SAFETY THERMOSTAT
ELF.45	CAMPANA PRESOSTATO	PRESSURE SWITCH BELL
ELF.182	CONDENSADOR BD22	CONDENSER BD22
ELF.185	RETEN MOTORBD22	BD22 MOTOR MECHANICAL SEAL
ELF.186	TURBINA (50 HZ)	TURBINE (50 HZ)
ELF.187	TURBINA (60 HZ)	TURBINE (60 HZ)
ELF.188	JUNTA TAPA MOTOR BD22	BD22 MOTOR LID GASKET
ELF.189	TAPA MOTOR	MOTOR LID
ELF.192	INTERRUPTOR	SWITCH
ELF.193	MOTOR D-30	MOTOR D-30
ELF.194	CONTACTOR	CONTACTOR
FA.1032	BRIDA	CLASP
V.448	TUBO PRESOSTATO-METRO 4X6	4X6 PRE.SWITCH INLET PIPE



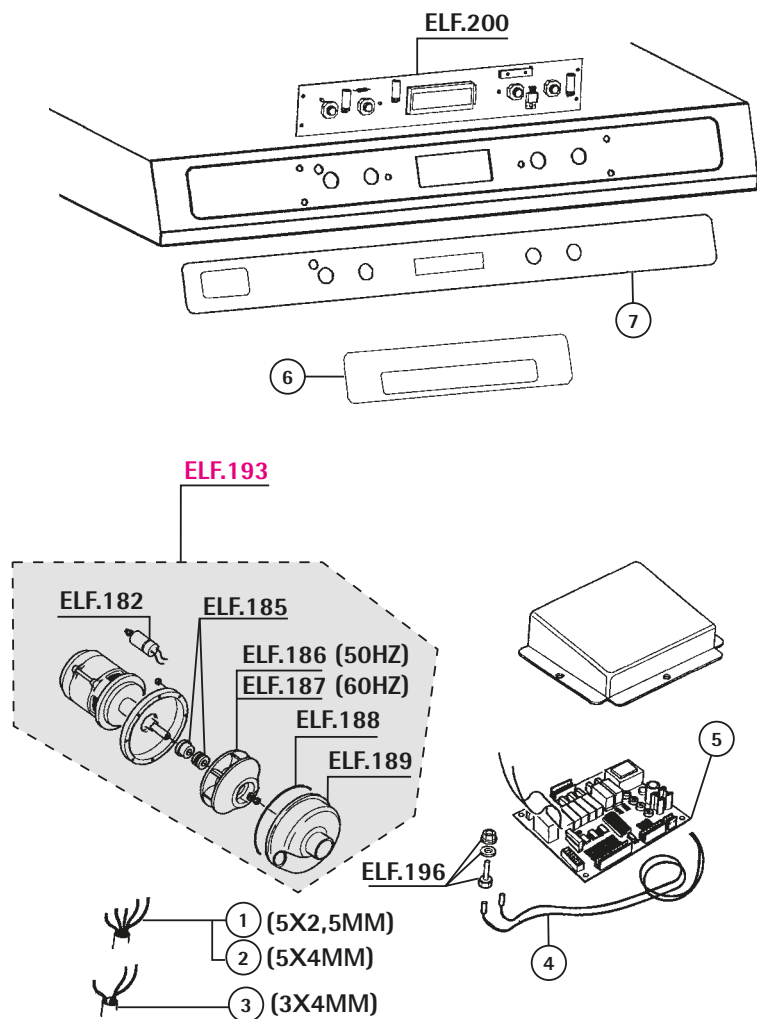
REF.	DESCRIPCIÓN	DESCRIPTION
ELF.6	PILOTO	LAMP
ELF.7	TERMOSTATO CALDERIN	BOILER THERMOSTAT
ELF.9	PRESOSTATO	PRESSURE SWITCH
ELF.18	INTERRUPTOR	SWITCH
ELF.23	TERMOSTATO CUBA	TANK THERMOSTAT
ELF.30	TERMOSTATO SEGURIDAD	SAFETY THERMOSTAT
ELF.35	PROGRAMADOR 5 MICROS	5 TOOTH TIMER
ELF.45	CAMPANA PRESOSTATO	PRESSURE SWITCH BELL
ELF.182	CONDENSADOR BD22	CONDENSER BD22
ELF.185	RETEN MOTORBD22	BD22 MOTOR MECHANICAL SEAL
ELF.186	TURBINA (50 HZ)	TURBINE (50 HZ)
ELF.187	TURBINA (60 HZ)	TURBINE (60 HZ)
ELF.188	JUNTA TAPA MOTOR BD22	BD22 MOTOR LID GASKET
ELF.189	TAPA MOTOR	MOTOR LID
ELF.192	INTERRUPTOR	SWITCH
ELF.193	MOTOR D-30	MOTOR D-30
ELF.194	CONTACTOR	CONTACTOR
ELF.195	KIT BOTONERA D-40	D-40 DOSSING DEVICE
ELF.196	ADAPTADOR CONTROLADOR D-40	D-40 CONTROLLER ADAPTOR
ELF.197	CONTROLADOR D-40	CONTROLLER D-40
FA.1032	BRIDA	CLASP
V.448	TUBO PRESOSTATO-METRO 4X6	4X6 PRE.SWITCH INLET PIPE





REF.	DESCRIPCIÓN	DESCRIPTION
ELF.18	INTERRUPTOR	SWITCH
ELF.30	TERMOSTATO SEGURIDAD	SAFETY THERMOSTAT
ELF.182	CONDENSADOR BD22	CONDENSER BD22
ELF.185	RETEN MOTORBD22	BD22 MOTOR MECHANICAL SEAL
ELF.186	TURBINA (50 HZ)	TURBINE (50 HZ)
ELF.187	TURBINA (60 HZ)	TURBINE (60 HZ)
ELF.188	JUNTA TAPA MOTOR BD22	BD22 MOTOR LID GASKET
ELF.189	TAPA MOTOR	MOTOR LID
ELF.192	INTERRUPTOR	SWITCH
ELF.193	MOTOR D-30	MOTOR D-30
ELF.194	CONTACTOR	CONTACTOR
ELF.196	ADAPTADOR CONTROLADOR D-40	D-40 CONTROLLER ADAPTOR
ELF.198	PILOTO	PILOT
ELF.199	KIT BOTONERA D-40 ELT	D-40 ELT KIT DOSSING DEVICE

Componentes eléctricos D40 ELT, BT-BA ■ D40 ELT, BT-BA Electric components



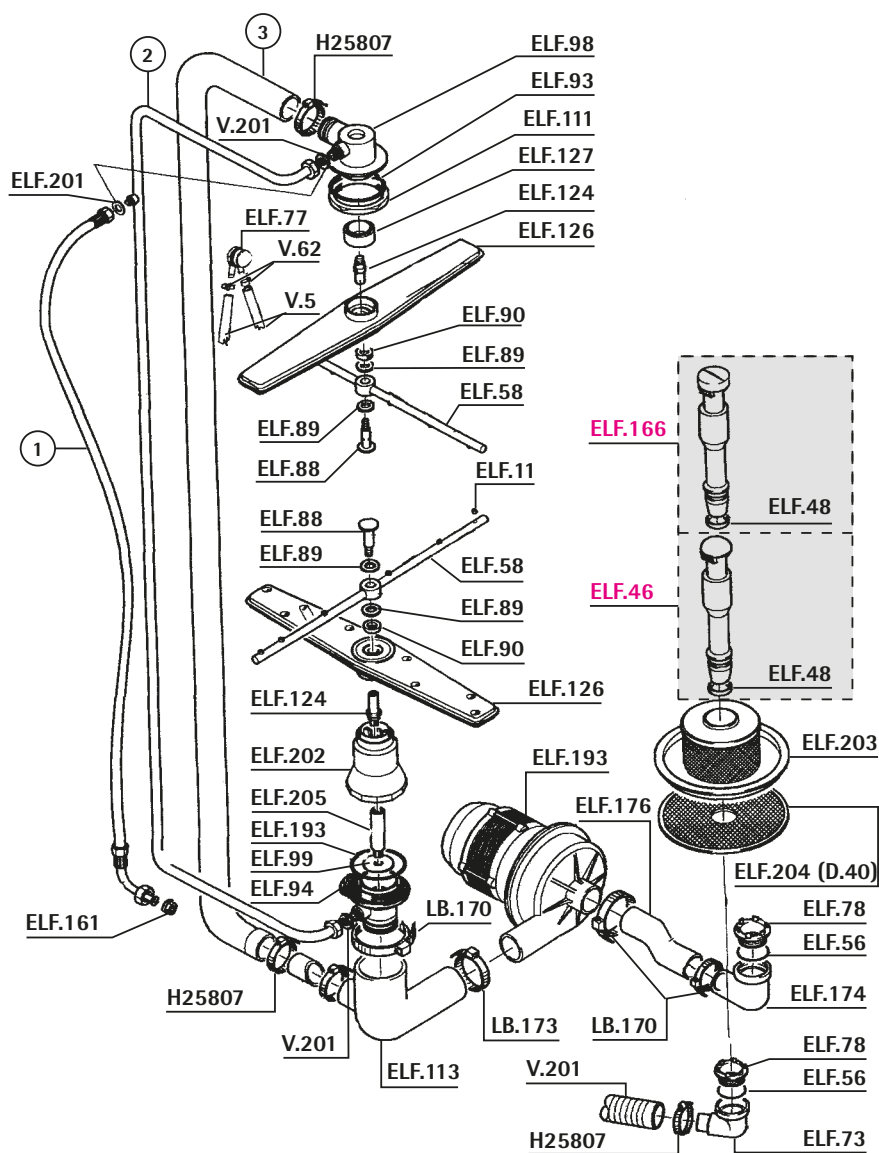
REF.	DESCRIPCIÓN	DESCRIPTION
ELF.182	CONDENSADOR BD22	CONDENSER BD22
ELF.185	RETEN MOTORBD22	BD22 MOTOR MECHANICAL SEAL
ELF.186	TURBINA (50 HZ)	TURBINE (50 HZ)
ELF.187	TURBINA (60 HZ)	TURBINE (60 HZ)
ELF.188	JUNTA TAPA MOTOR BD22	BD22 MOTOR LID GASKET
ELF.189	TAPA MOTOR	MOTOR LID
ELF.193	MOTOR D-30	MOTOR D-30
ELF.196	ADAPTADOR CONTROLADOR D-40	D-40 CONTROLLER ADAPTOR
ELF.200	BOTONERA D-40 ELT BT-BA	DOSSING DEVICE D-40 BT-BA

If you cannot find the component you are looking for, do contact us. We will help you.

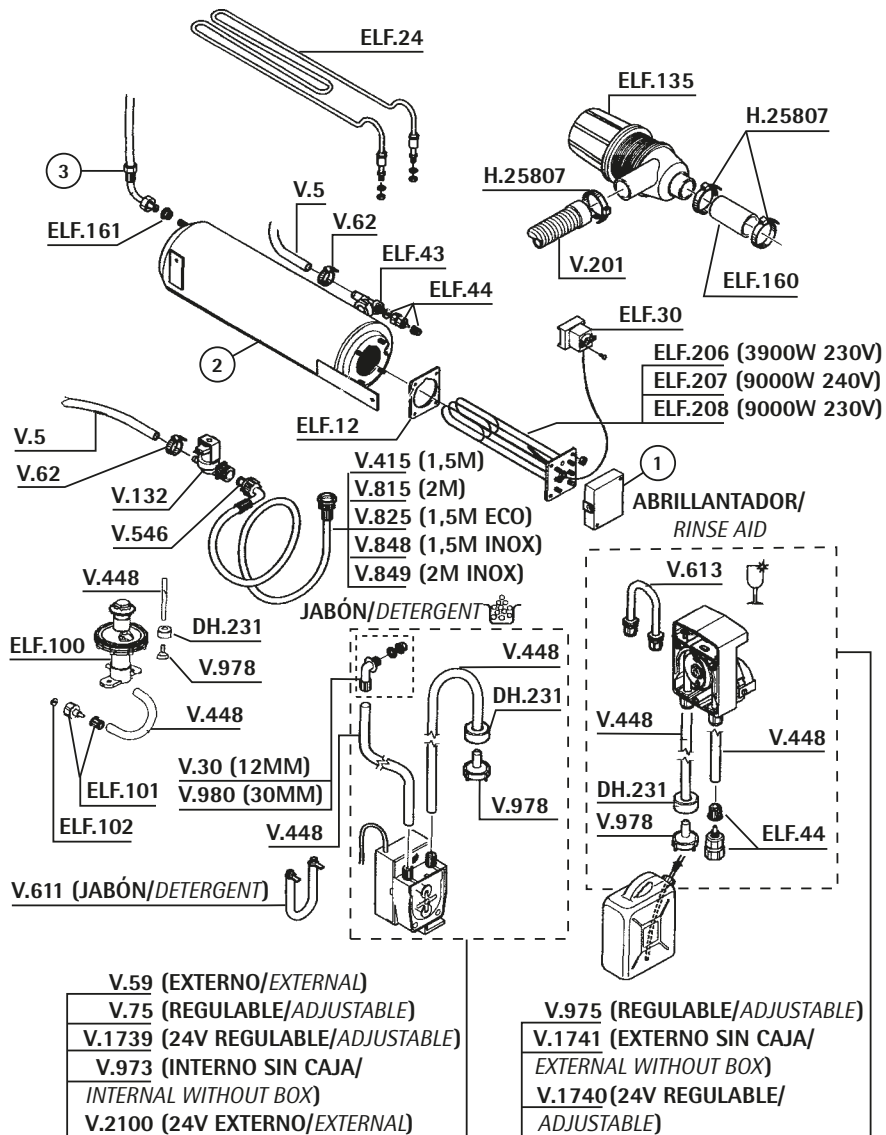


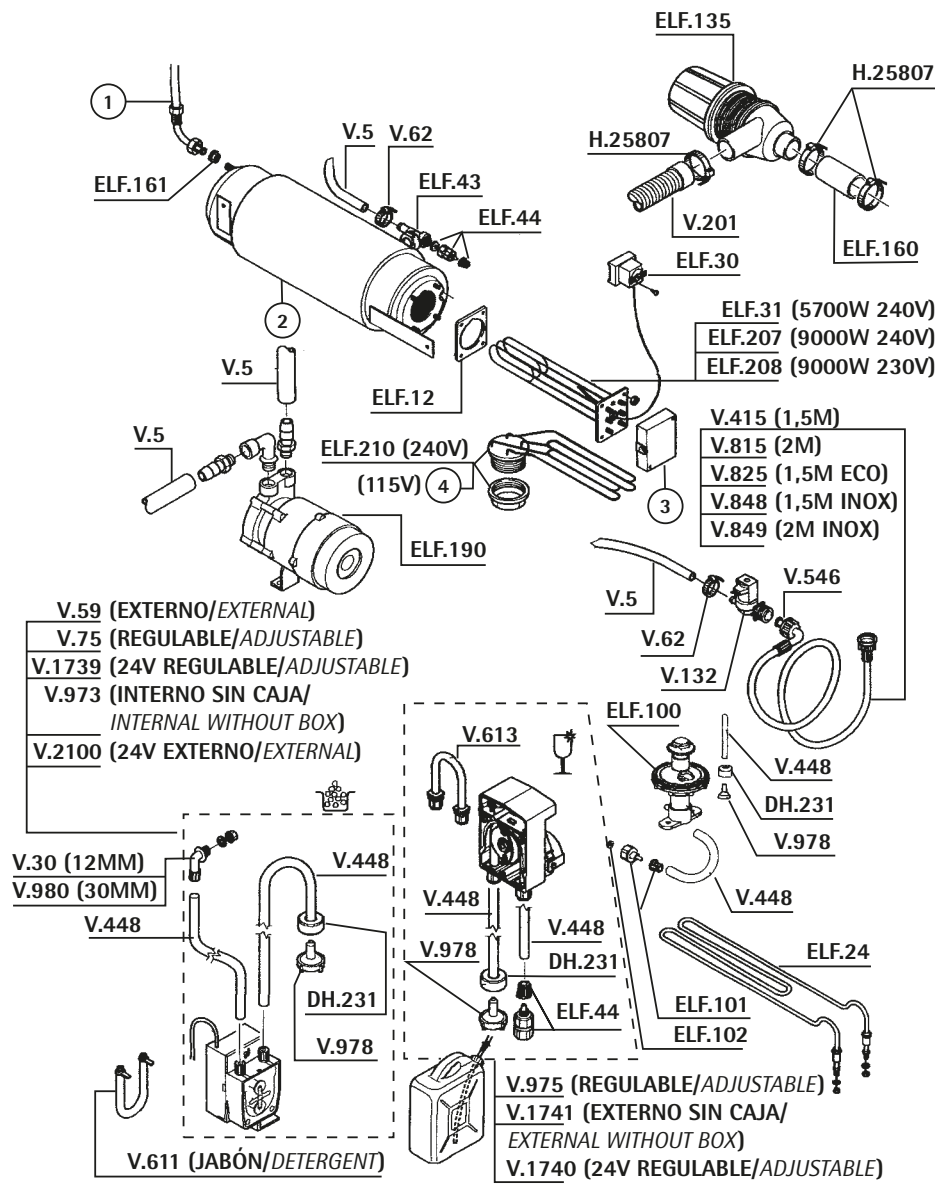
Tel: 93 377 64 11
Fax: 93 377 98 03
ascaso@ascaso.com

REF.	DESCRIPCIÓN	DESCRIPTION
ELF.11	ROCIADOR ACLARADO	RINSE SPRAY
ELF.46	REBOSADERO D-30/BD22	D-30 OVERFLOW
ELF.48	JUNTA REBOSADERO	OUTLET GASKET
ELF.56	JUNTA	GASKET
ELF.58	GIRATORIO ACLARADO C-33	C-33 RINSE GIRATORY
ELF.73	CODO	ELBOW
ELF.77	VALVULA ANTIRETORNO	RETENTION VALVE
ELF.78	RACOR SOPORTE DESAGÜE	OUTLET PIPE SUPPORT FITTING
ELF.88	EJE GIRATORIO	GIRATORY ROD
ELF.89	JUNTA GIRATORIO	ROTATORY GASKET
ELF.90	JUNTA	GASKET
ELF.93	TORICA COLECTOR	COLLECTOR RING
ELF.94	COLECTOR INFERIOR	INFERIOR COLLECTOR
ELF.98	COLECTOR SUPERIOR	UPPER COLLECTOR
ELF.99	CASQUILLO	CAP
ELF.111	TUERCA SUPERIOR GIRATORIO	GIRATORY UPPER NUT
ELF.113	CODO	ELBOW
ELF.124	EJE GIRATORIO	GIRATORY ROD
ELF.126	BRAZO LAVADO SUPERIOR	UPPER WASHING ARM
ELF.127	CASQUILLO SUPERIOR	UPPER CAP
ELF.161	RACOR	FITTING
ELF.166	SOBRENIVEL BD22	BD22 OVERFLOW
ELF.174	CODO BOMBA	PUMP ELBOW
ELF.176	MANGUITO BOMBA BD22	PUMP SLEEVE BD22
ELF.193	MOTOR D-30	MOTOR D-30
ELF.201	JUNTA	GASKET
ELF.202	ADAPTADOR INFERIOR	LOWER ADAPTOR
ELF.203	FILTRO	FILTER
ELF.204	BASE FILTRO D-40	D-40 FILTER BASE
ELF.205	EJE	ROD
H25807	ABRAZADERA 25-40	25-40 CLAMP
LB.170	ABRAZADERA 40-60	40-60 CLAMP
LB.173	ABRAZADERA 60-80	60-80 CLAMP
V....5	TUBO GOMA 10X16 20 ATM	20ATM 10X17 RUBBER PIPE
V...62	ABRAZADERA 12-20	12-20 CLAMP
V..201	TUBO DESAGÜE 28mm. 1,5mt.	28mm. 1.5mt OUTLET PIPE



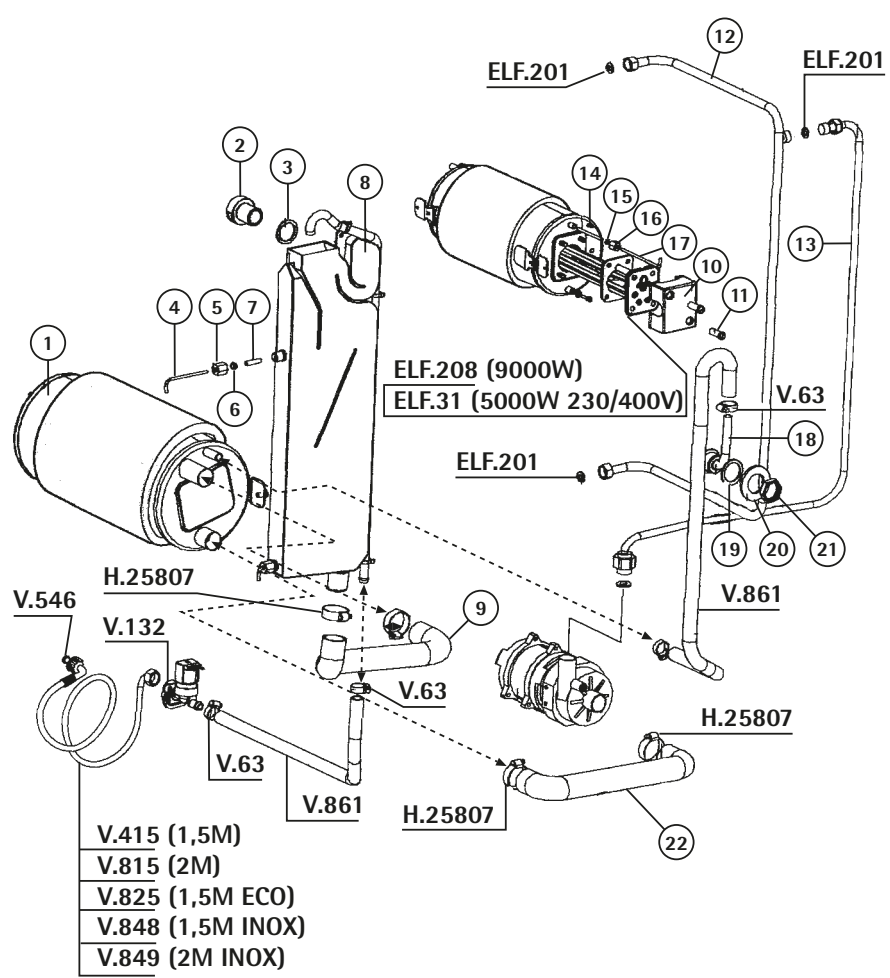
REF.	DESCRIPCIÓN	DESCRIPTION
DH.231	PESO FILTRO	FILTER FITTING
ELF.12	JUNTA RESISTENCIA	RESISTANCE GASKET
ELF.24	RESISTENCIA CUBA 2000W/230V	2000W/230V TANK RESISTANCE
ELF.30	TERMOSTATO SEGURIDAD	SAFETY THERMOSTAT
ELF.43	T CALDERIN	BOILER T
ELF.44	VALVULA ANTIRRETORNO	NON-RETURN VALVE
ELF.100	DOSIFICADOR	DOSIMETER
ELF.101	CONJUNTO FILTRO	FILTER KIT
ELF.102	FILTRO	FILTER
ELF.135	BOMBA DESAGÜE	DRAIN PUMP
ELF.160	MANGUITO	SLEEVE
ELF.161	RACOR	FITTING
ELF.206	RESIS 3900W 230V	RESIS 3900W 230V
ELF.207	RESIS 9000W 240V	RESIS 9000W 240V
ELF.208	RESIS 9000W 230V	RESIS 9000W 230V
H25807	ABRAZADERA 25-40	25-40 CLAMP
V....5	TUBO GOMA 10X16 20 ATM	20ATM 10X17 RUBBER PIPE
V...30	RACOR ENTRADA JABON	INLET SOAP FITTING
V...59	DOSIFICADOR PERISTALTICO	DOSIMETER
V...62	ABRAZADERA 12-20	12-20 CLAMP
V...75	DOSIF.PERISTALTICO REGULA	ADJUSTABLE DOSIMETER
V..132	ELECTROVAL.1 VIA LAV.220V	WASH 1 WAY 220V SOLENOID
V..201	TUBO DESAGÜE 28mm. 1,5mt.	28mm. 1.5mt OUTLET PIPE
V..415	TOMA LAVADORA 1,5M	QUALITY 1.5M.INLET W.FLEX
V..448	TUBO PRESOSTATO-METRO 4X6	4X6 PRE.SWITCH INLET PIPE
V..546	JUNTA GOMA 3/4	WATER INLET RUBBER GASKET
V..611	TUBO INTERIOR DOS.PER. JABON	INLET PIPE
V..613	TUBO INTERIOR DOS.PER.ABRILLAN	RINS.AID INSIDE PIPE
V..815	TOMA LAVADORA 2 METROS	2 MT.INLET WATER FLEXIBLE
V..825	TOMA LAVADORA 1.5 «ECO»	«ECO»1.5M INLET W.FLEXIB
V..848	TOMA LAVADORA 1.5M INOX	INOX 1.5M INLET WATER FL.
V..849	TOMA LAV.INOX 2MT.3/4X3/4	INOX 2MT.INLET WATER FLE.
V..973	DOSIFICADOR PERISTALTICO INTER	INTERNAL PERISTALTIC DOS.
V..975	DOSIFICADOR ABRILLANTADOR EXT.	EXTERNAL RINSE DOSIMETER
V..978	FILTRO DOSIFICADOR	DOSIMETER FILTER
V..980	RACOR ENTRADA JABON LARGO	LONG INLET FITTING
V.1739	DOSIF.PERISTAL.REGULABLE 24Vac	24Vac ADJUSTABLE DOSIMETER
V.1740	DOSIF.ABRILLAN.EXTERNO 24Vac	24Vac EXTERNAL RINSE DOSIMETER
V.1741	DOSIF.ABRILLAN.INTERNO 230V AC	230Vac INTERNAL RINSE DOSIMETER
V.2100	DOSIFICADOR PERISTAL.JABON 24V	24V SOAP DOSIMETER





REF.	DESCRIPCIÓN	DESCRIPTION
DH.231	JUNTA RESISTENCIA	FILTER FITTING
ELF.12	RESISTENCIA CUBA 2000W/230V	RESISTANCE GASKET
ELF.24	RESISTENCIA CUBA 2000W/230V	2000W/230V TANK RESISTANCE
ELF.30	TERMOSTATO SEGURIDAD	SAFETY THERMOSTAT
ELF.31	RESISTENCIA CALDERIN 5200W/240	5700W/240V BOILER RESISTANCE
ELF.43	T CALDERIN	BOILER T
ELF.44	VALVULA ANTIRRETORNO	NON-RETURN VALVE
ELF.100	DOSIFICADOR	DOSIMETER
ELF.101	CONJUNTO FILTRO	FILTER KIT
ELF.102	FILTRO	FILTER
ELF.135	BOMBA DESAGÜE	DRAIN PUMP
ELF.160	MANGUITO	SLEEVE
ELF.161	RACOR	FITTING
ELF.190	BOMBA (230 V 50 HZ)	PUMP (230 V 50 HZ)
ELF.207	RESIS 9000W 240V	RESIS 9000W 240V
ELF.208	RESIS 9000W 230V	RESIS 9000W 230V
ELF.210	RESIS CUBA 5700W 240V	RESIS CUBA 5700W 240V
H25807	ABRAZADERA 25-40	25-40 CLAMP
V....5	TUBO GOMA 10X16 20 ATM	20ATM 10X17 RUBBER PIPE
V...30	RACOR ENTRADA JABON	INLET SOAP FITTING
V...59	DOSIFICADOR PERISTALTICO	DOSIMETER
V...62	ABRAZADERA 12-20	12-20 CLAMP
V...75	DOSIF.PERISTALTICO REGULA	ADJUSTABLE DOSIMETER
V..132	ELECTROVAL.1 VIA LAV.220V	WASH 1 WAY 220V SOLENOID
V..201	TUBO DESAGÜE 28mm. 1,5mt.	28mm. 1.5mt OUTLET PIPE
V..415	TOMA LAVADORA 1,5M	QUALITY 1.5M.INLET W.FLEX
V..448	TUBO PRESOSTATO-METRO 4X6	4X6 PRE.SWITCH INLET PIPE
V..546	JUNTA GOMA 3/4	WATER INLET RUBBER GASKET
V..611	TUBO INTERIOR DOS.PER. JABON	INLET PIPE
V..613	TUBO INTERIOR DOS.PER.ABRILLAN	RINS.AID INSIDE PIPE
V..815	TOMA LAVADORA 2 METROS	2 MT.INLET WATER FLEXIBLE
V..825	TOMA LAVADORA 1.5 «ECO»	«ECO»1.5M INLET WA.FLEXIB
V..848	TOMA LAVADORA 1.5M INOX	INOX 1.5M INLET WATER FL.
V..849	TOMA LAV.INOX 2MT.3/4X3/4	INOX 2MT.INLET WATER FLE.
V..973	DOSIFICADOR PERISTALTICO INTER	INTERNAL PERISTALTIC DOS.
V..975	DOSIFICADOR ABRILLANTADOR EXT.	EXTERNAL RINSE DOSIMETER
V..978	FILTRO DOSIFICADOR	DOSIMETER FILTER
V..980	RACOR ENTRADA JABON LARGO	LONG INLET FITTING
V.1739	DOSIF.PERISTAL.REGULABLE 24Vac	24Vac ADJUSTABLE DOSIMETER
V.1740	DOSIF.ABRILLAN.EXTERNO 24Vac	24Vac EXTERNAL RINSE DOSIMETER
V.1741	DOSIF.ABRILLAN.INTERNO 230V AC	230Vac INTERNAL RINSE DOSIMET
V.2100	DOSIFICADOR PERISTAL.JABON 24V	24V SOAP DOSIMETER

Calderín / Resistencia D40 (ELT.BT-BA) ■ D40 (ELT.BT-BA) Resistance / Boiler



REF.	DESCRIPCIÓN	DESCRIPTION
ELF.31	RESISTENCIA CALDERIN 5200W/240	5700W/240V BOILER RESISTANCE
ELF.201	JUNTA	GASKET
ELF.208	RESIS 9000W 230V	RESIS 9000W 230V
H25807	ABRAZADERA 25-40	25-40 CLAMP
V..63	ABRAZADERA 20-32	20-35 CLAMP
V..132	ELECTROVAL.1 VIA LAV.220V	WASH 1 WAY 220V SOLENOID
V..415	TOMA LAVADORA 1,5M	QUALITY 1.5M.INLET W.FLEX
V..546	JUNTA GOMA 3/4	WATER INLET RUBBER GASKET
V..815	TOMA LAVADORA 2 METROS	2 MT.INLET WATER FLEXIBLE
V..825	TOMA LAVADORA 1.5 «ECO»	«ECO»1.5M INLET WA.FLEXIB
V..848	TOMA LAVADORA 1.5M INOX	INOX 1.5M INLET WATER FL.
V..849	TOMA LAV.INOX 2MT.3/4X3/4	INOX 2MT.INLET WATER FLE.
V..861	TUBO GOMA 12X22mm 20ATM	20ATM 12X22mm RUBBER PIPE

927 Motor / Depurador D40 ■ D40 Motor / Purifiers

ELFRAMO
Lavavajillas
Dishwashers

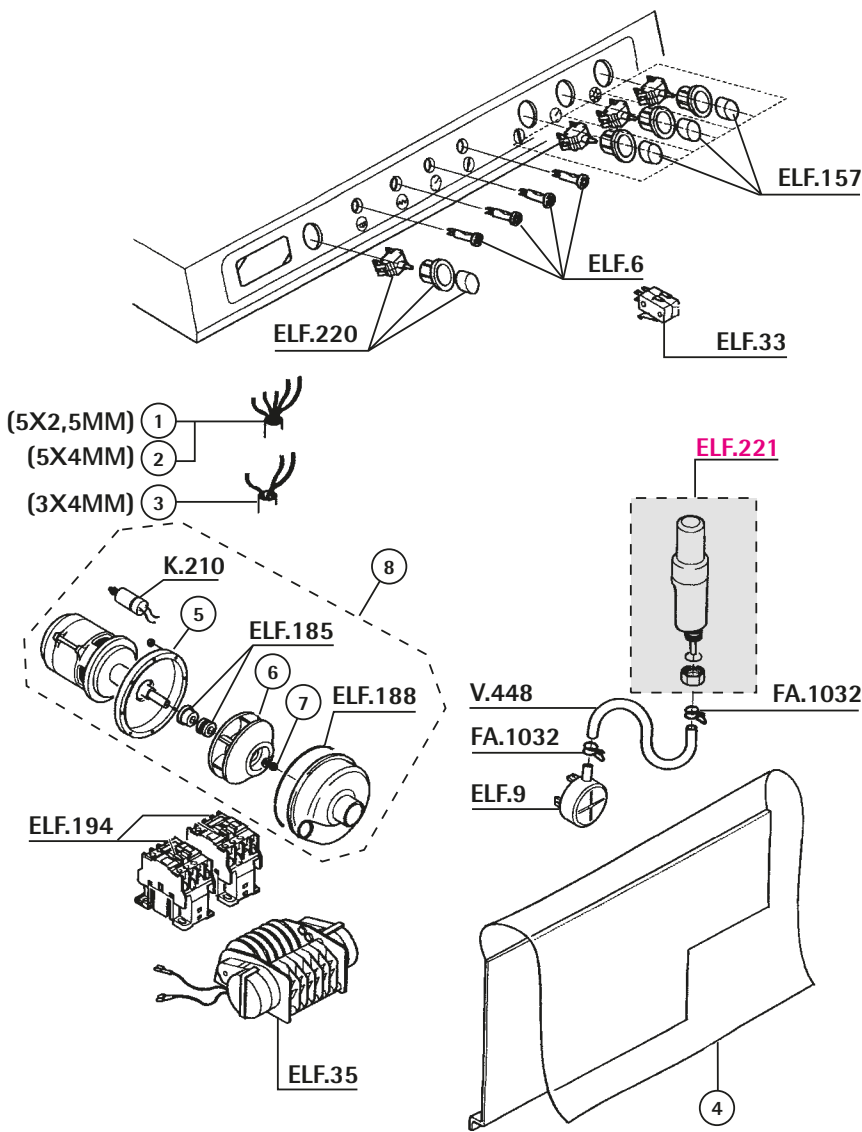
REF.	DESCRIPCIÓN	DESCRIPTION
ELF106	CONDENSADOR	CONDENSER
ELF178	RETEN MOTOR	MOTOR MECHANICAL SEAL
ELF179	TURBINA MOTOR	MOTOR TURBINE
ELF180	JUNTA TAPA MOTOR	MOTOR LID GASKET
ELF211	TAPA MOTOR	MOTOR LID
ELF233	MOTOR D-40	D-40 MOTOR
LAV900	DEPURADOR LAVATAZAS	WASHING CUP PURIFIER
LAV901	DEPOSITO SAL COMPLETO	SALT CONTAINER
V...5	TUBO GOMA 10X16 20 ATM	20ATM 10X17 RUBBER PIPE
V...62	ABRAZADERA 12-20	12-20 CLAMP
V..134	ELECTROVAL.3VIA LAV.220V	WASH 3 WAYS 220V SOLENOID

928 Carrocería C33 - C44 - C66 - C77 ■ C33 - C44 - C66 - C77 Bodywork

ELFRAMO
Lavavajillas
Dishwashers

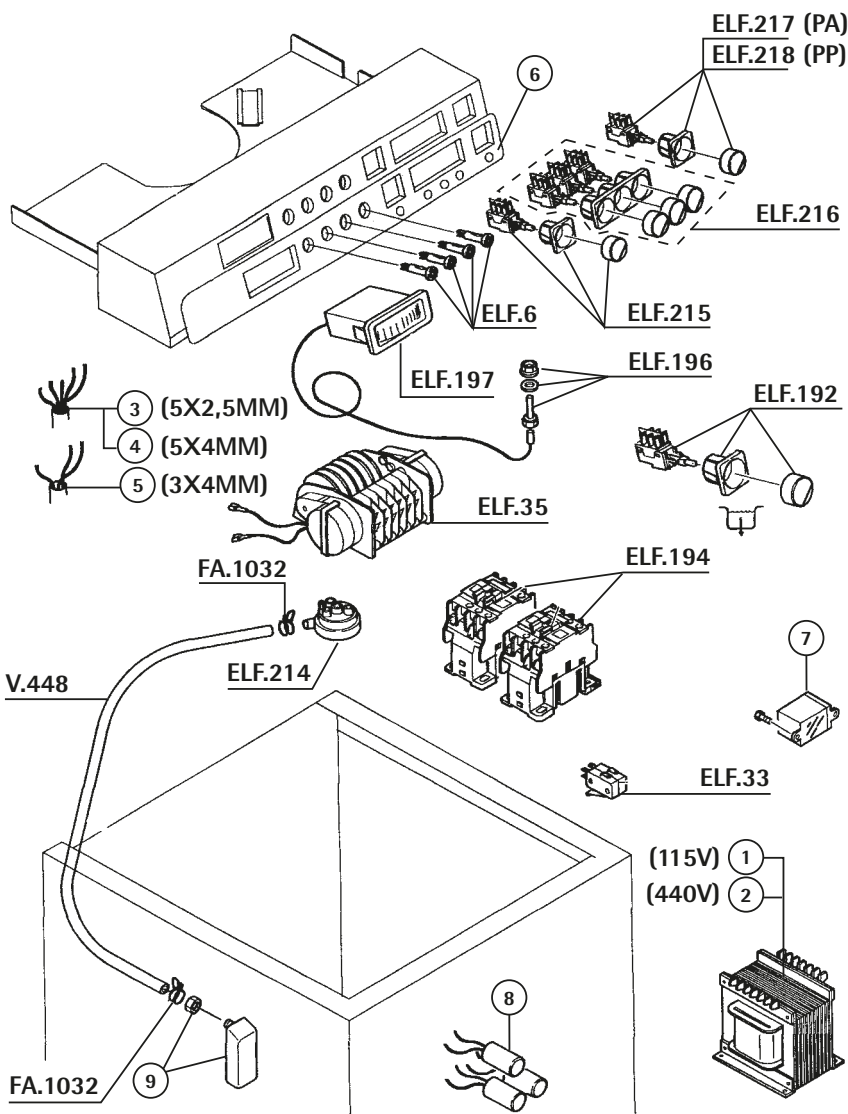
REF.	DESCRIPCIÓN	DESCRIPTION
------	-------------	-------------

ascaso



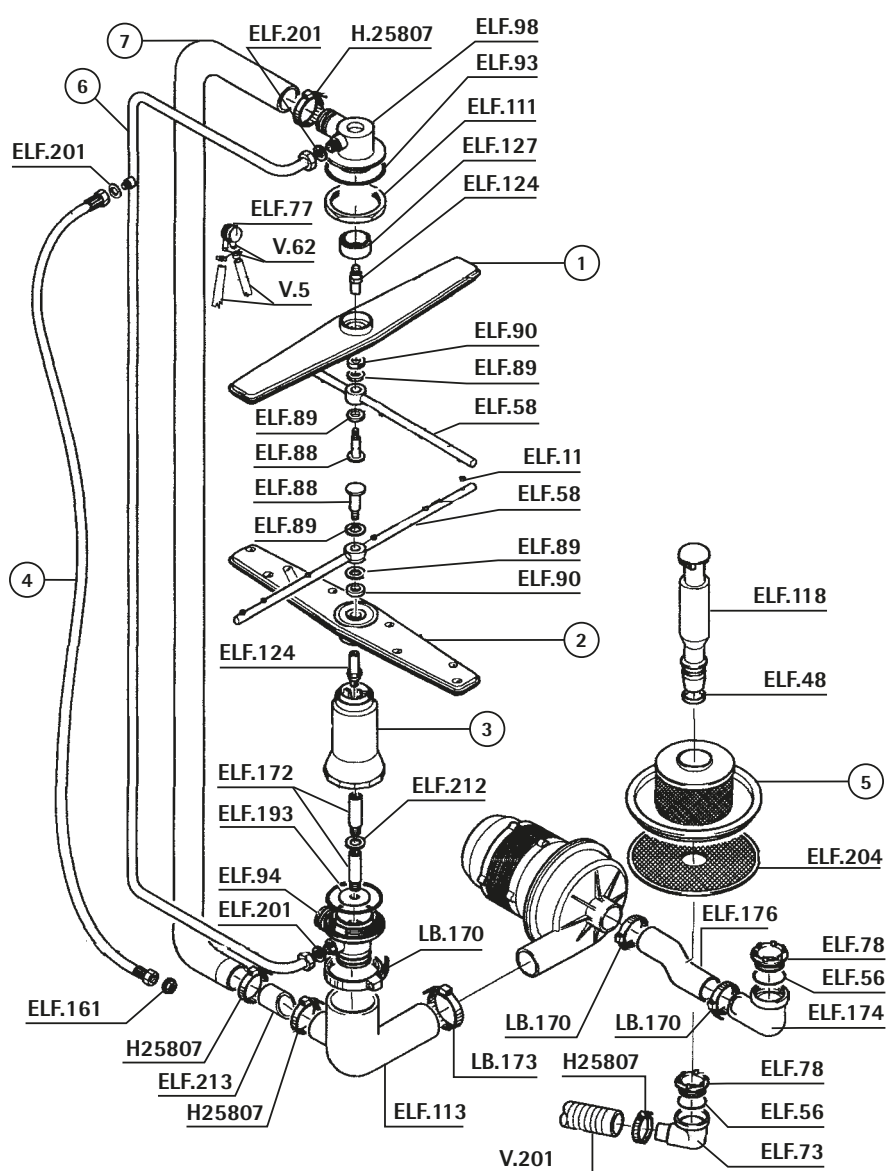
REF.	DESCRIPCIÓN	DESCRIPTION
ELF.6	PILOTO	LAMP
ELF.9	PRESOSTATO	PRESSURE SWITCH
ELF.33	MICRO DOBLE	DOUBLE MICRO
ELF.35	PROGRAMADOR 5 MICROS	5 TOOTH TIMER
ELF.157	INTERRUPTOR	SWITCH
ELF.185	RETEN MOTORBD22	BD22 MOTOR MECHANICAL SEAL
ELF.188	JUNTA TAPA MOTOR BD22	BD22 MOTOR LID GASKET
ELF.194	CONTACTOR	CONTACTOR
ELF.220	INTERRUPTOR	SWITCH
ELF.221	CAMARA PRESOSTATICA	PRESSURE SWITCH
FA.1032	BRIDA	CLASP
K.210	CONDENSADOR 16 MF. 220V	16 MF. 220V CONDENSER
V.448	TUBO PRESOSTATO-METRO 4X6	4X6 PRE.SWITCH INLET PIPE

Componentes eléctricos C44 - C66 - C77 ■ C44 - C66 - C77 Electric components

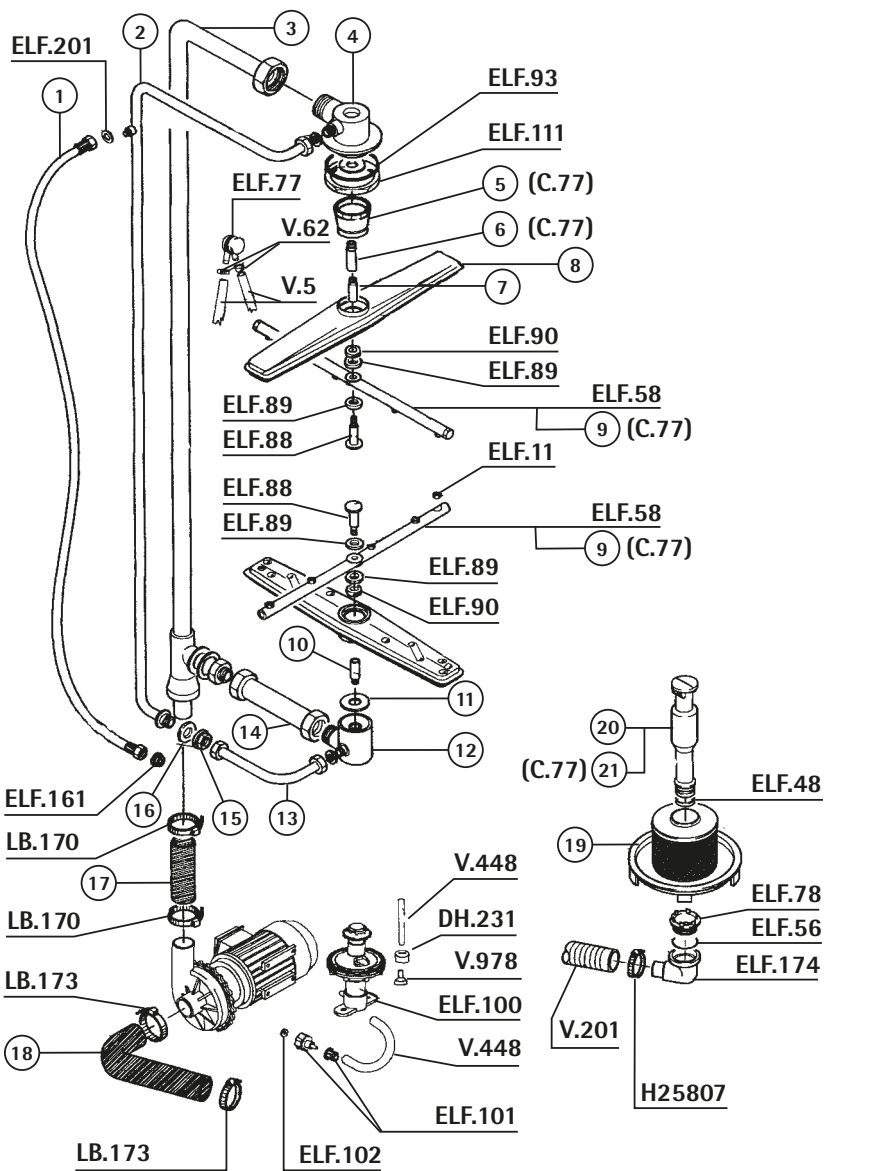


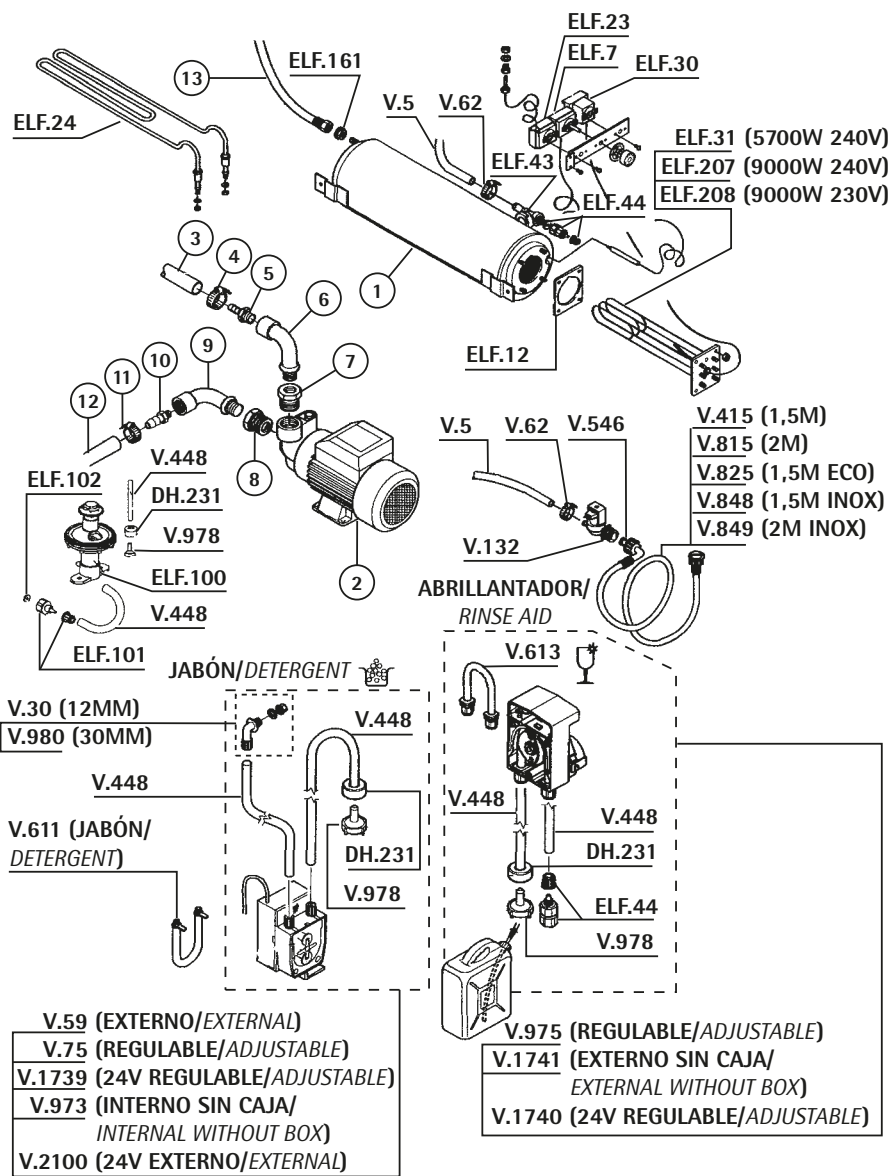
REF.	DESCRIPCIÓN	DESCRIPTION
ELF.6	PILOTO	LAMP
ELF.33	MICRO DOBLE	DOUBLE MICRO
ELF.35	PROGRAMADOR 5 MICROS	5 TOOTH TIMER
ELF.192	INTERRUPTOR	SWITCH
ELF.194	CONTACTOR	CONTACTOR
ELF.196	ADAPTADOR CONTROLADOR D-40	D-40 CONTROLLER ADAPTOR
ELF.197	CONTROLADOR D-40	CONTROLLER D-40
ELF.214	PRESOSTATO	PRESSURE SWITCH
ELF.215	INTERRUPTOR ON/OFF	SWITCH ON/OFF
ELF.216	KIT INTERRUPTORES	SWITCH KIT
ELF.217	INTERRUPTOR PA	SWITCH PA
ELF.218	INTERRUPTOR PP	SWITCH PP
FA.1032	BRIDA	CLASP
V.448	TUBO PRESOSTATO-METRO 4X6	4X6 PRE.SWITCH INLET PIPE

REF.	DESCRIPCIÓN	DESCRIPTION
ELF.11	ROCIADOR ACLARADO	RINSE SPRAY
ELF.48	JUNTA REBOSADERO	OUTLET GASKET
ELF.56	JUNTA	GASKET
ELF.58	GIRATORIO ACLARADO C-33	C-33 RINSE GIRATORY
ELF.73	CODO	ELBOW
ELF.77	VALVULA ANTIRETORNO	RETENTION VALVE
ELF.78	RACOR SOPORTE DESAGÜE	OUTLET PIPE SUPPORT FITTING
ELF.88	EJE GIRATORIO	GIRATORY ROD
ELF.89	JUNTA GIRATORIO	ROTATORY GASKET
ELF.90	JUNTA	GASKET
ELF.93	TORICA COLECTOR	COLLECTOR RING
ELF.94	COLECTOR INFERIOR	INFERIOR COLLECTOR
ELF.98	COLECTOR SUPERIOR	UPPER COLLECTOR
ELF.111	TUERCA SUPERIOR GIRATORIO	GIRATORY UPPER NUT
ELF.113	CODO	ELBOW
ELF.118	REBOSADERO BE50	OVERFLOW BE50
ELF.124	EJE GIRATORIO	GIRATORY ROD
ELF.127	CASQUILLO SUPERIOR	UPPER CAP
ELF.161	RACOR	FITTING
ELF.172	EJE INFERIOR BD14	BD114 LOWER ROD
ELF.174	CODO BOMBA	PUMP ELBOW
ELF.176	MANGUITO BOMBA	PUMP SLEEVE
ELF.193	MOTOR D-30	MOTOR D-30
ELF.199	KIT BOTONERA D-40 ELT	D-40 ELT KIT DOSSING DEVICE
ELF.201	JUNTA	GASKET
ELF.204	BASE FILTRO D-40	D-40 FILTER BASE
ELF.212	JUNTA	GASKET
ELF.213	TUBO	PIPE
H25807	ABRAZADERA 25-40	25-40 CLAMP
LB.170	ABRAZADERA 40-60	40-60 CLAMP
LB.173	ABRAZADERA 60-80	60-80 CLAMP
V....5	TUBO GOMA 10X16 20 ATM	20ATM 10X17 RUBBER PIPE
V...62	ABRAZADERA 12-20	12-20 CLAMP
V..201	TUBO DESAGÜE 28mm. 1,5mt.	28mm. 1.5mt OUTLET PIPE



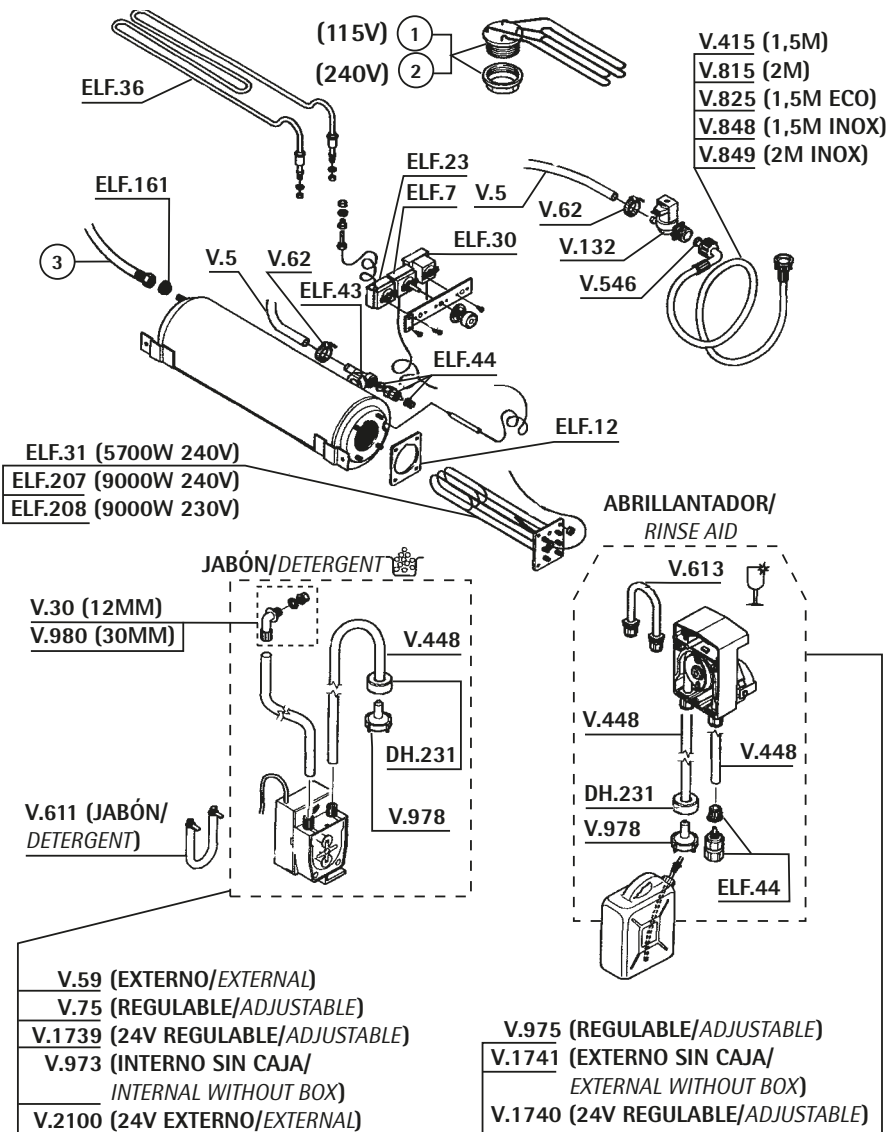
REF.	DESCRIPCIÓN	DESCRIPTION
DH.231	PESO FILTRO	FILTER FITTING
ELF.11	ROCIADOR ACLARADO	RINSE SPRAY
ELF.48	JUNTA REBOSADERO	OUTLET GASKET
ELF.56	JUNTA	GASKET
ELF.58	GIRATORIO ACLARADO C-33	C-33 RINSE GIRATORY
ELF.77	VALVULA ANTIRETORNO	RETENTION VALVE
ELF.78	RACOR SOPORTE DESAGÜE	OUTLET PIPE SUPPORT FITTING
ELF.88	EJE GIRATORIO	GIRATORY ROD
ELF.89	JUNTA GIRATORIO	ROTATORY GASKET
ELF.90	JUNTA	GASKET
ELF.93	TORICA COLECTOR	COLLECTOR RING
ELF.100	DOSIFICADOR	DOSIMETER
ELF.101	CONJUNTO FILTRO	FILTER KIT
ELF.102	FILTRO	FILTER
ELF.111	TUERCA SUPERIOR GIRATORIO	GIRATORY UPPER NUT
ELF.161	RACOR	FITTING
ELF.174	CODO BOMBA	PUMP ELBOW
ELF.201	JUNTA	GASKET
H25807	ABRAZADERA 25-40	25-40 CLAMP
LB.170	ABRAZADERA 40-60	40-60 CLAMP
LB.173	ABRAZADERA 60-80	60-80 CLAMP
V....5	TUBO GOMA 10X16 20 ATM	20ATM 10X17 RUBBER PIPE
V...62	ABRAZADERA 12-20	12-20 CLAMP
V..201	TUBO DESAGÜE 28mm. 1,5mt.	28mm. 1.5mt OUTLET PIPE
V..448	TUBO PRESOSTATO-METRO 4X6	4X6 PRE.SWITCH INLET PIPE
V..978	FILTRO DOSIFICADOR	DOSIMETER FILTER





REF.	DESCRIPCIÓN	DESCRIPTION
DH.231	PESO FILTRO	FILTER FITTING
ELF.7	TERMOSTATO CALDERIN	BOILER THERMOSTAT
ELF.12	JUNTA RESISTENCIA	RESISTANCE GASKET
ELF.23	TERMOSTATO CUBA	TANK THERMOSTAT
ELF.24	RESISTENCIA CUBA 2000W/230V	2000W/230V TANK RESISTANCE
ELF.30	TERMOSTATO SEGURIDAD	SAFETY THERMOSTAT
ELF.31	RESISTENCIA CALDERIN 5200W/240	5700W/240V BOILER RESISTANCE
ELF.43	T CALDERIN	BOILER T
ELF.44	VALVULA ANTIRRETORNO	NON-RETURN VALVE
ELF.100	DOSIFICADOR	DOSIMETER
ELF.101	CONJUNTO FILTRO	FILTER KIT
ELF.102	FILTRO	FILTER
ELF.161	RACOR	FITTING
ELF.207	RESIS 9000W 240V	RESIS 9000W 240V
ELF.208	RESIS 9000W 230V	RESIS 9000W 230V
V....5	TUBO GOMA 10X16 20 ATM	20ATM 10X17 RUBBER PIPE
V...30	RACOR ENTRADA JABON	INLET SOAP FITTING
V...59	DOSIFICADOR PERISTALTICO	DOSIMETER
V...62	ABRAZADERA 12-20	12-20 CLAMP
V...75	DOSIF.PERISTALTICO REGULA	ADJUSTABLE DOSIMETER
V.132	ELECTROVAL.1 VIA LAV.220V	WASH 1 WAY 220V SOLENOID
V..415	TOMA LAVADORA 1,5M	QUALITY 1.5M.INLET W.FLEX
V..448	TUBO PRESOSTATO-METRO 4X6	4X6 PRE.SWITCH INLET PIPE
V..546	JUNTA GOMA 3/4	WATER INLET RUBBER GASKET
V..611	TUBO INTERIOR DOS.PER. JABON	INLET PIPE
V..613	TUBO INTERIOR DOS.PER.ABRILLAN	RINS.AID INSIDE PIPE
V..815	TOMA LAVADORA 2 METROS	2 MT.INLET WATER FLEXIBLE
V..825	TOMA LAVADORA 1.5 «ECO»	«ECO»1.5M INLET WA.FLEXIB
V..848	TOMA LAVADORA 1.5M INOX	INOX 1.5M INLET WATER FL.
V..849	TOMA LAV.INOX 2MT.3/4X3/4	INOX 2MT.INLET WATER FLE.
V..973	DOSIFICADOR PERISTALTICO INTER	INTERNAL PERISTALTIC DOS.
V..975	DOSIFICADOR ABRILLANTADOR EXT.	EXTERNAL RINSE DOSIMETER
V..978	FILTRO DOSIFICADOR	DOSIMETER FILTER
V..980	RACOR ENTRADA JABON LARGO	LONG INLET FITTING
V.1739	DOSIF.PERISTAL.REGULABLE 24Vac	24Vac ADJUSTABLE DOSIMETER
V.1740	DOSIF.ABRILLAN.EXTERNO 24Vac	24Vac EXTERNAL RINSE DOSIMETER
V.1741	DOSIF.ABRILL.INTERNO 230V AC	230Vac INTERNAL RINSE DOSIMET
V.2100	DOSIFICADOR PERISTAL.JABON 24V	24V SOAP DOSIMETER

Bomba / Calderín / Dosificador / Resistencia C44 - C66 - C77 ■ C44 - C66 - C77 Resistance / Rinse aid dosimeter / Boiler / Pump

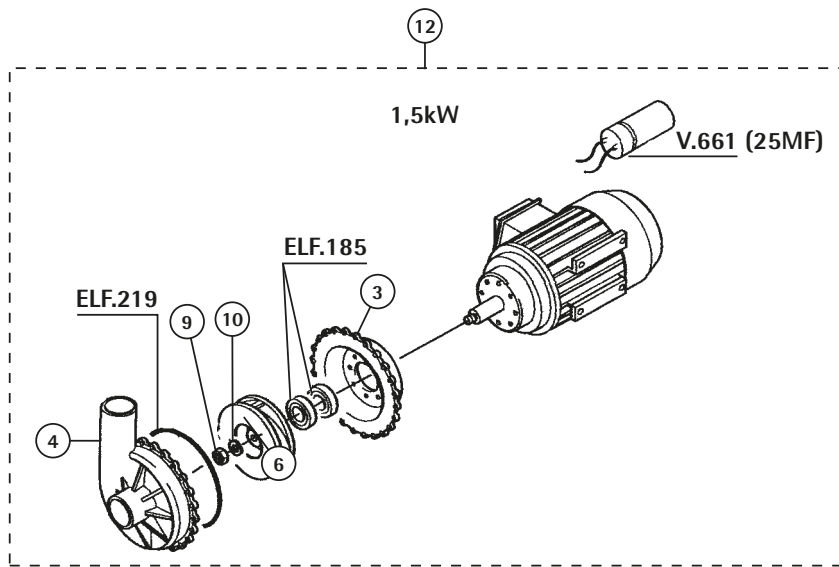
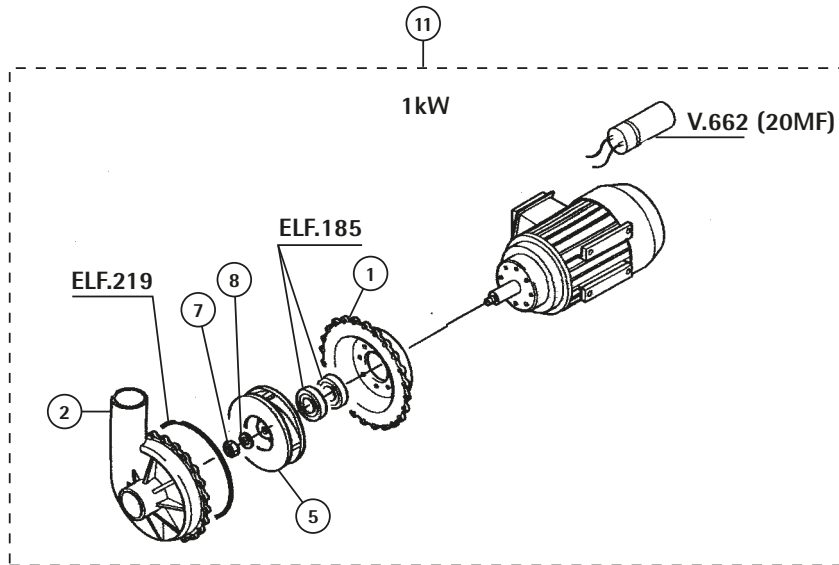


REF.	DESCRIPCIÓN	DESCRIPTION
DH.231	PESO FILTRO	FILTER FITTING
ELF.7	TERMOSTATO CALDERIN	BOILER THERMOSTAT
ELF.12	JUNTA RESISTENCIA	RESISTANCE GASKET
ELF.23	TERMOSTATO CUBA	TANK THERMOSTAT
ELF.30	TERMOSTATO SEGURIDAD	SAFETY THERMOSTAT
ELF.31	RESISTENCIA CALDERIN 5200W/240	5700W/240V BOILER RESISTANCE
ELF.36	RESISTENCIA CUBA	TANK RESISTANCE
ELF.43	T CALDERIN	BOILER T
ELF.44	VALVULA ANTIRRETORNO	NON-RETURN VALVE
ELF.161	RACOR	FITTING
ELF.207	RESIS 9000W 240V	RESIS 9000W 240V
ELF.208	RESIS 9000W 230V	RESIS 9000W 230V
V....5	TUBO GOMA 10X16 20 ATM	20ATM 10X17 RUBBER PIPE
V...30	RACOR ENTRADA JABON	INLET SOAP FITTING
V...59	DOSIFICADOR PERISTALTICO	DOSIMETER
V...62	ABRAZADERA 12-20	12-20 CLAMP
V...75	DOSIF.PERISTALTICO REGULA	ADJUSTABLE DOSIMETER
V.132	ELECTROVAL.1 VIA LAV.220V	WASH 1 WAY 220V SOLENOID
V..415	TOMA LAVADORA 1,5M	QUALITY 1.5M.INLET W.FLEX
V..448	TUBO PRESOSTATO-METRO 4X6	4X6 PRE.SWITCH INLET PIPE
V..546	JUNTA GOMA 3/4	WATER INLET RUBBER GASKET
V..611	TUBO INTERIOR DOS.PER. JABON	INLET PIPE
V..613	TUBO INTERIOR DOS.PER.ABRILLAN	RINS.AID INSIDE PIPE
V..815	TOMA LAVADORA 2 METROS	2 MT.INLET WATER FLEXIBLE
V..825	TOMA LAVADORA 1.5 «ECO»	«ECO»1.5M INLET WA.FLEXIB
V..848	TOMA LAVADORA 1.5M INOX	INOX 1.5M INLET WATER FL.
V..849	TOMA LAV.INOX 2MT.3/4X3/4	INOX 2MT.INLET WATER FLE.
V..973	DOSIFICADOR PERISTALTICO INTER	INTERNAL PERISTALTIC DOS.
V..975	DOSIFICADOR ABRILLANTADOR EXT.	EXTERNAL RINSE DOSIMETER
V..978	FILTRO DOSIFICADOR	DOSIMETER FILTER
V..980	RACOR ENTRADA JABON LARGO	LONG INLET FITTING
V.1739	DOSIF.PERISTAL.REGULABLE 24Vac	24Vac ADJUSTABLE DOSIMETER
V.1740	DOSIF.ABRILLAN.EXTERNO 24Vac	24Vac EXTERNAL RINSE DOSIMETER
V.1741	DOSIF.ABRILL.INTERNO 230V AC	230Vac INTERNAL RINSE DOSIMET
V.2100	DOSIFICADOR PERISTAL.JABON 24V	24V SOAP DOSIMETER

45 años ofreciendo calidad, servicio y competitividad.



REF.	DESCRIPCIÓN	DESCRIPTION
ELF185	RETEN MOTORBD22	BD22 MOTOR MECHANICAL SEAL
ELF219	JUNTA TAPA MOTOR	MOTOR LID GASKET
V..661	CONDENSADOR 25 MF 220V	220V 25 MF CONDENSER
V..662	CONDENSADOR 20 MF 220V	220V 20 MF CONDENSER



REF.	DESCRIPCIÓN	DESCRIPTION
ELF222	CESTA REDONDA	ROUND BASKET
ELF223	BASE CESTA REDONDA BE35	ROUND BASKET BASE BE35
ELF224	BASE CESTA REDONDA BE40	ROUND BASKET BASE BE 40
ELF225	CESTA REDONDA	ROUND BASKET
ELF226	INSERTO	INSERT
ELF227	INSERTO PLATOS	PLATES INSERT
ELF228	CESTA PLATOS 47 X 47	PLATES BASKET 47 X 47
ELF229	CESTA VASOS 47 X 47	GLASSES BASKETS 47 X 47
ELF230	BASE CESTA REDONDA BD22	BD22 ROUND BASKET BASE
ELF231	CESTA REDONDA BD22	BD22 ROUND BASKET
ELF232	CESTA REDONDA PLATOS BD22	PLATES ROUND BASKET BD22
V...29	CESTO CUADRO PLATOS 40x40	40X40 SQUARE PLATE BASKET
V...32	CESTO CUCHARAS PLASTICO	PLASTIC SPOON BASKET
V..173	INSERTO PLATOS 30CMT.	30CMT DISHES INSERT
V..175	INSERTO PLATOS 42CMT.	42CMT DISHES INSERT
V..843	CESTO CUADRO PLATOS 34X34	34X34 DISH BASKET
V..844	CESTO CUADRO VASOS 34X34	34X34 GLASSES BASKET
V..964	INSERTO PLATOS 36cm	36cm DISHES INSERT
V.1250	CESTA VASOS 50X50	50X50 GLASSES RACK
V.1252	CEST.PLATOS-BANDEJA 50X50	PLATES AND TRAYS RACK
V.2475	CESTA PLASTICO 350x350x150	350x350x150 PLASTIC BASKET
V.2477	CESTA PLASTICO 400x400x150	400x400x150 PLASTIC BASKET
WL3511	CESTO CUADRO VASOS 40x40	40X40 GLASSES BASKET

V.2475 (35X35 BE.35)
V.2477 (40X40 BE.40)

ELF.222 (BE.35-BD.11)
ELF.225 (BE.40-BD.13-BD.14)
ELF.231 (BD.22)

ELF.223 (BE.35-BD.11)
ELF.224 (BE.40-BD.13-BD.14)
ELF.230 (BD.22)

V.29 (40X40) (BE.40-BD.13-BD.14)
V.843 (34X34) (BD.11)
ELF.228 (47X47) (BD.22)

WL.3511 (40X40) (BE.40-BD.13-BD.14)
V.844 (34X34) (BD.11)
ELF.229 (47X47) (BD.22)

V.1252 (50X50 BE.50-D.30-D.40-C.33-C.44-C.66-C.77) (PLATOS/PLATES)
V.1250 (50X50 BE.50-D.30-D.40-C.33-C.44-C.66-C.77) (VASOS/GLASS)

ELF.232 (BD.22)

V.32

ELF.227

ELF.226

V.173 (30CM)
V.175 (42CM)
V.964 (36CM)

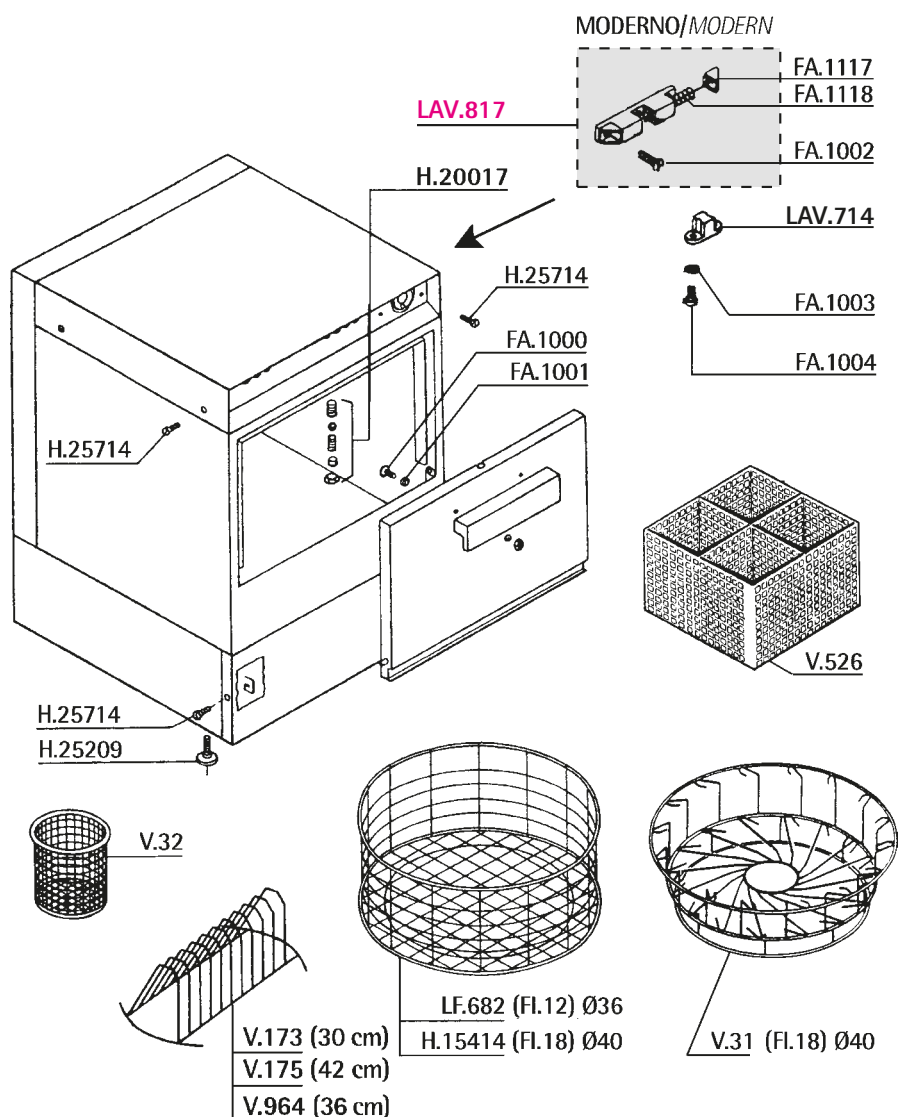
Modelos compatibles	Compatible models	938
Carrocería / Cestos FI-12 / 18 / FI-12 / 18 S/D	FI-12 / 18 / FI-12 / 18 S/D Baskets / Bodywork	939
Aclarado FI-12 / 18 Antiguo	Old FI-12 / 18 Rinse	940
Aclarado FI-12S / FI-18S	FI-12S / FI-18S Rinse	941
Aclarado FI-12D / FI-18D	FI-12D / FI-18D Rinse	942
Lavado FI-12/18 FI-12/18 S/D	FI-12/18 FI-12/18 S/D Wash	943
Panel mandos FI-12/18 FI-12/18 S/D	FI-12/18 FI-12/18 S/D Control panel	944
Puerta / Cestos FI30 / 50 / 72 / 48 / 48B / 64 / 64B / 48W / 64W / MF48 / MF64	FI30 / 50 / 72 / 48 / 48B / 64 / 64B / 48W / 64W / MF48 / MF64 Basket / Door	945
Lavado / Aclarado FI30 / 50 / 72 / 48 / 48B / 64 / 64B / 48W / 64W / MF48 / MF64	FI30 / 50 / 72 / 48 / 48B / 64 / 64B / 48W / 64W / MF48 / MF64 Rinse / Wash	946
Calderín FI30 / 50 / 72 / 48 / 48B / 64 / 64B / 48W / 64W / MF48 / MF64	FI30 / 50 / 72 / 48 / 48B / 64 / 64B / 48W / 64W / MF48 / MF64 Boiler	947
Calderín FI-50	FI-50 Boiler	948
Desagüe FI30 / 50 / 72 / 48 / 48B / 64 / 64B / 48W / 64W / MF48 / MF64	FI30 / 50 / 72 / 48 / 48B / 64 / 64B / 48W / 64W / MF48 / MF64 Drain	949
Mandos / Resistencias FI-30	FI-30 Resistance / Handles	950
Mandos / Resistencias FI-50	FI-50 Resistance / Handles	951
Mandos / Resistencias FI-48 / 64 / 48B / 64B	Handles / Resistances FI-48 / 64 / 48B / 64B	952
Mandos / Resistencias FI-72 / FI-48W / MF48 / FI64W / MF64	FI-72 / FI-48W / MF48 / FI64W / MF64 Resistance / Handles	953
Carrocería/ Cestos FI-240	FI-240 Basket / Bodywork	954
Lavado FI-240	FI-240 Wash	955
Aclarado FI-240	FI-240 Rinse	956
Varios FI-240	FI-240 Various	957
Varios GAGGIA	GAGGIA Various	958
Carrocería / Cestos FI-650R / FI-300R / FI-300B	FI-650R / FI-300R / FI-300B Basket / Bodywork	959
Lavado FI-650R / FI-300R / FI-300B	FI-650R / FI-300R / FI-300B Wash	960
Aclarado FI-650R / FI-300R / FI-300B	FI-650R / FI-300R / FI-300B Rinse	961
Mandos FI-650R / FI-300R / FI-300B	FI-650R / FI-300R / FI-300B Handles	962
Puerta / Cestos LVR10 / LVC12 / 15 / 15D / 21 / 21D / 21B / 21W / MF21	LVR10 / LVC12 / 15 / 15D / 21 / 21D / 21B / 21W / MF21 Basket / Door	963
Lavado LVR-10 / 14 / 20 / 20B	LVR-10 / 14 / 20 / 20B Wash	964
Lavado / Aclarado LVC 12 / LVC 15 / LVC 15D / LVC 21 / LVC 21D / LVC 21W / MF 21	LVC 12 / LVC 15 / LVC 15D / LVC 21 / LVC 21D / LVC 21W / MF 21 Rinse / Wash	965
Calderín / Aclarado LVR-10 / 14 / 20 / 20B	LVR-10 / 14 / 20 / 20B Rinse / Boiler	966
Calderín LVC-12 / 15 / 21 / 21B	LVC-12 / 15 / 21 / 21B Boiler	967
Calderín LVC-15D / LVC-21D	LVC-15D / LVC-21D Boiler	968
Calderín LVC-21W / MF 21	LVC-21W / MF 21 Boiler	969
Desagüe LVR / LVC	LVR / LVC Drain	970
Mandos LVR-10 / 14 / 20 LVC-12 / 15 / 21	LVR-10 / 14 / 20 LVC-12 / 15 / 21 Handles	971
Mandos LVR-20B / LVC-21B / LVC-21W / MF-21	LVR-20B / LVC-21B / LVC-21W / MF-21 Handles	972
Mandos LVC-15D / LVC-21D	LVC-15D / LVC-21D Handles	973
Carrocería / Cestos FI-80 / 100 / 120	FI-80 / 100 / 120 Basket / Bodywork	974
Capota FI-80 / 100 / 120	FI-80 / 100 / 120 Pass-Trough	975
Lavado / Aclarado FI-80	FI-80 Rinse / Wash	976
Lavado / Aclarado FI-100 / 120	FI-100 / 120 Rinse / Wash	977
Calderín FI-80 / 100 / 120	FI-80 / 100 / 120 Boiler	978
Componentes eléctricos FI-80	FI-80 Electric components	979
Componentes eléctricos FI-80 / FI-80W 2003	2003 FI-80 / FI-80W Electric components	980
Componentes eléctricos FI-100 / 120	FI-100 / 120 Electric components	981
Carrocería / Cestos FI-900 / FI-1200	FI-900 / FI-1200 Baskets / Bodywork	982
Lavado / Aclarado FI-900 / FI-1200	FI-900 / FI-1200 Rinse / Wash	983
Calderín FI-900 / FI-1200	FI-900 / FI-1200 Boiler	984
Componentes eléctricos FI-900 / FI-1200	FI-900 / FI-1200 Electric components	985

Modelos compatibles ■ Compatible models

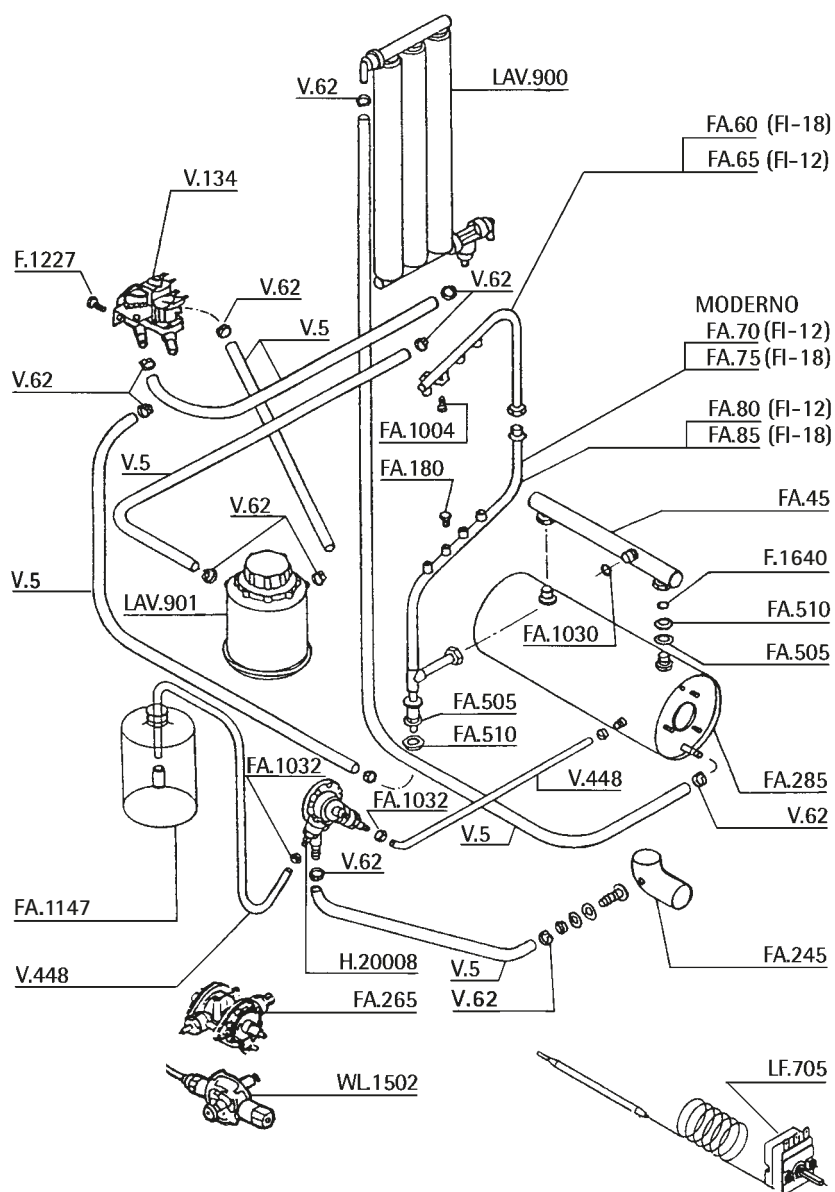
MARCA BRAND	MODELO MODEL	MODELO FAGOR FAGOR MODEL	PÁGINA PAGE
AZKOYEN	A-9	LVC-12	963-970
	A-15	LVC-15	963-970
	A-21	LVC-21	963-970
	A-21B	LVC-21B	963-970
	A-480	FI-48	945-953
	A-480B	FI-48B	945-953
	A-320	FI-30	945-950
	A-320B	FI-30	945-950
FUTURMAT	FV20-R	SERIES LVC-LVR	963-973
	FV26-R		
	FV20-C		
	FV26-C		
	FV34-C	FI-30	945-950
GAGGIA	GX4R	SERIES LVC-LVR	963-973
	GX5R		
	GX4C		
	GX5C		
	GX14C	FI-30	945-950
MAIRALI	RT800R	SERIES LVC-LVR	963-973
	RT1200R		
	RT800C		
	RT1200C		
	RP14C	FI-30	945-950
ITALCREM	LV800R	SERIES LVC-LVR	963-973
	LV1500R		
	LV800C		
	LV1500C		
	LP300C	FI-30	945-950

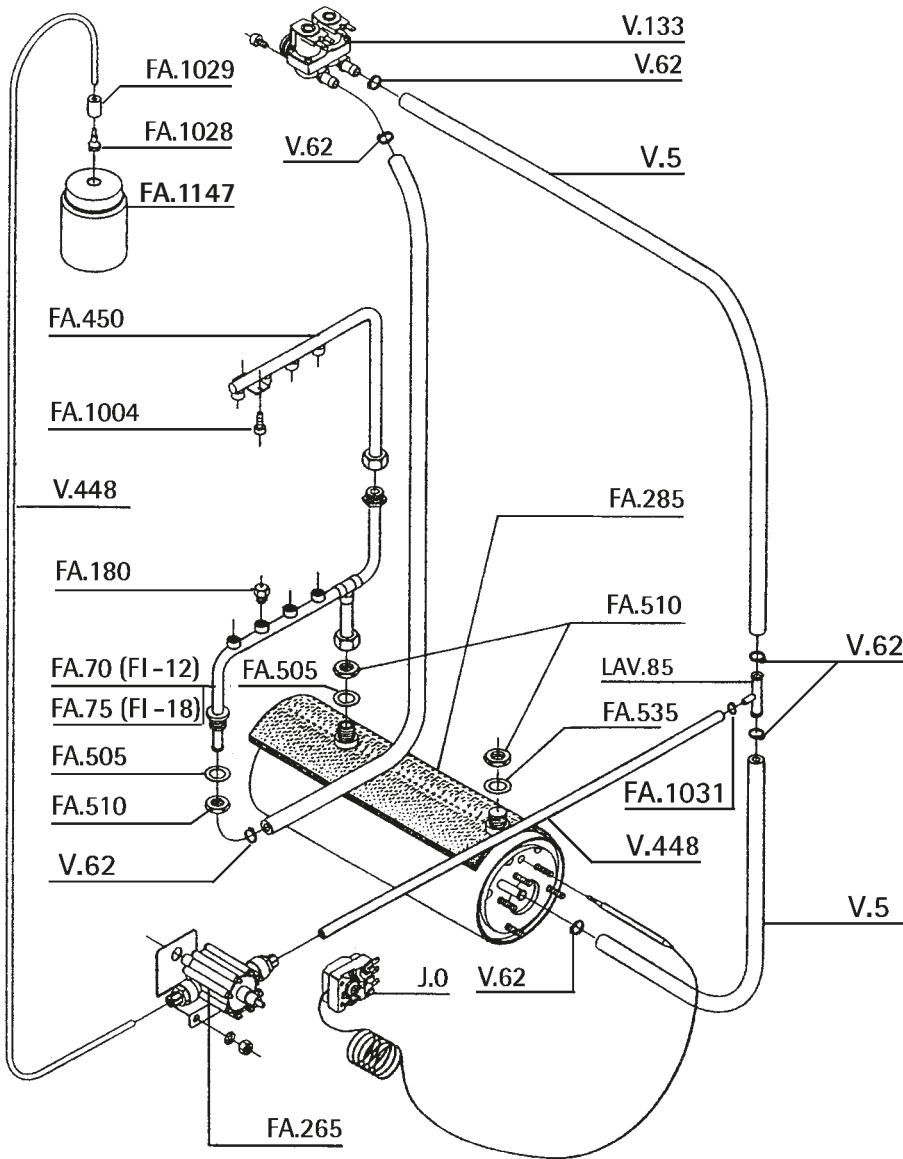
REF.	DESCRIPCIÓN	DESCRIPTION

REF.	DESCRIPCIÓN	DESCRIPTION
FA1000	TORNILLO INOX	INOX SCREW
FA1001	ARANDELA NYLON	NYLON WASHER
FA1002	TORNILLO INOX	INOX SCREW
FA1003	ARANDELA	WASHER
FA1004	TORNILLO INOX	INOX SCREW
FA1117	TAPA CIERRE PUERTA	DOOR CATCH CAP
FA1118	MUELLE CIERRE PUERTA	DOOR CATCH SPRING
H15414	CESTO VASOS 40 CMT.	40 CM. GLASSES BASKET
H20017	CIERRE PUERTA	CLOSING DOOR
H25209	PIE MAQUINA	MACHINE FOOT
H25714	TORNILLO INOX	INOX SCREW
LAV714	CIERRE PUERTA MOVIL	MOVIBLE CLOSING DOOR
LAV817	CIERRE PUERTA FIJO	FIXED CLOSING DOOR
LF.682	CESTO VASOS 36CMT	36 CM. GLASSES BASKET
V...31	CESTO PLATOS 40 CMT	40 CM. DISH BASKET
V...32	CESTO CUCHARAS PLASTICO	PLASTIC SPOON BASKET
V..173	INSERTO PLATOS 30CMT.	30CMT DISHES INSERT
V..175	INSERTO PLATOS 42CMT.	42CMT DISHES INSERT
V..526	CESTO CUCHARAS CUADRADO	SQUARE SPOON BASKET
V..964	INSERTO PLATOS 36cm	36cm DISHES INSERT

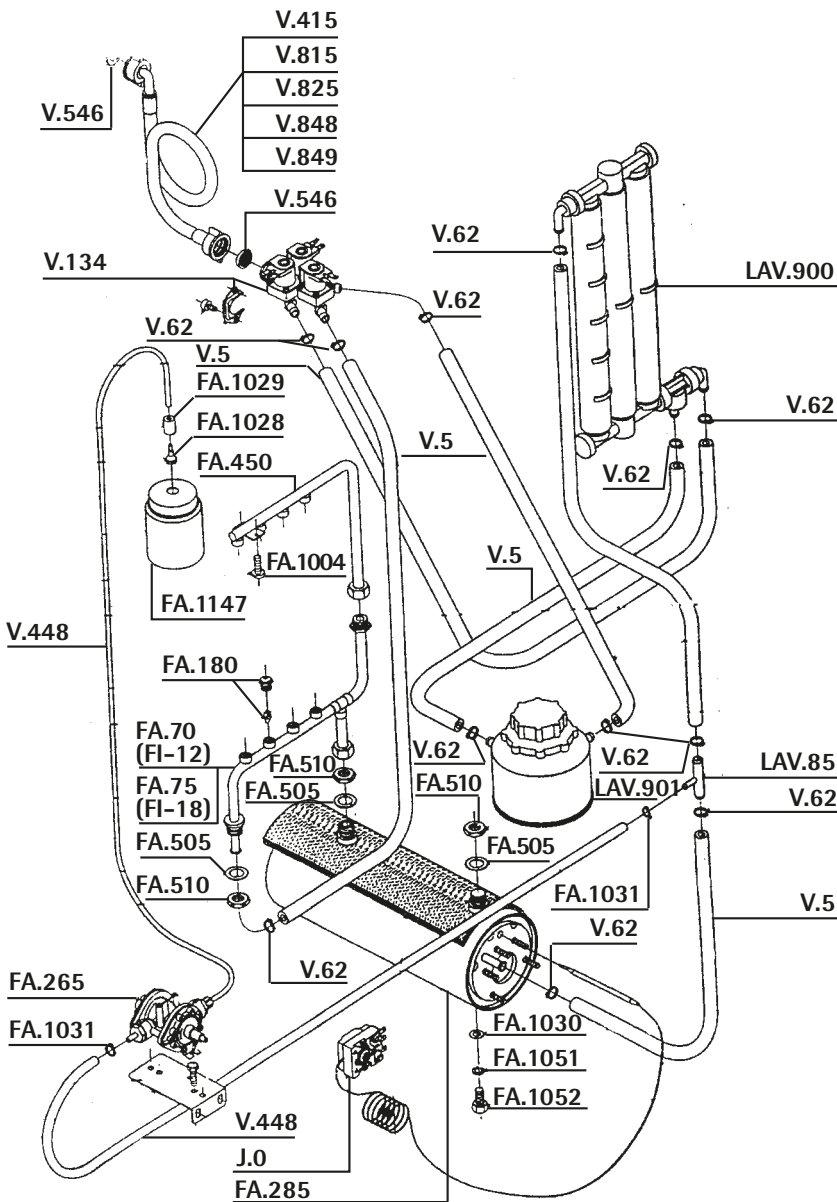


REF.	DESCRIPCIÓN	DESCRIPTION
F.1227	TORNILLO	SCREW
F.1640	JUNTA ALIMENTARIA	ALIMENTARY GASKET
FA..45	INTERCAMBIADOR DE CALOR	HEAT EXCHANGER
FA..60	ASTA ACLARADO SUP. FI-18	FI-18 UPPER RINSE ARM
FA..65	ASTA ACLARADO SUP.FI-12	FI-12 UPPER RINSE ARM
FA..70	ASTA ACLARADO MOD.FI-12	MOD. FI-12 RINSE ARM
FA..75	ASTA ACLARADO MOD.FI-18	MOD FI-18 RINSE ARM
FA..80	ASTA ACLARADO INF.FI-12	FI-12 LOWER RINSE ARM
FA..85	ASTA ACLARADO INF.FI-18	FI-18 LOWER RINSE ARM
FA.180	RACOR DE ACLARADO CTO.	CLEAR SPRAY FITTING
FA.245	MANGUITO ENTRADA	INLET SLEEVE
FA.265	DOSF.ABRILL.BAJA PRESION	LOW PRESSURE RINSE AID DOS.
FA.285	CALDERIN FI-12/18/240	FI-12/18/240 BOILER
FA.505	JUNTA GOMA ARBOL ACLAR.	RINSE ARM RUBBER RING
FA.510	TUERCA ASTA ACLARADO	RINSE ARM NUT
FA1004	TORNILLO INOX	INOX SCREW
FA1030	JUNTA ALIMENTARIA	ALIMENTARY GASKET
FA1032	BRIDA	CLASP
FA1147	DEPOSITO ABRILLANTADOR	RINSE AID CONTAINER
H20008	DOSIFICADOR ABRILLANTADOR	RINSE AID DOSIMETER
LAV900	DEPURADOR LAVATAZAS	WASHING CUP PURIFIER
LAV901	DEPOSITO SAL COMPLETO	SALT CONTAINER
LF.705	TERMOSTATO 90° BULBO 3mt.	90° BULB 3m THERMOSTAT
V....5	TUBO GOMA 10X16 20 ATM	20ATM 10X17 RUBBER PIPE
V...62	ABRAZADERA 12-20	12-20 CLAMP
V..134	ELECTROVAL.3VIA LAV.220V	WASH 3 WAYS 220V SOLENOID
V..448	TUBO PRESOSTATO-METRO 4X6	4X6 PRE.SWITCH INLET PIPE
WL1502	DOSIFICADOR ABRILLANTADOR	RINSE AID DOSIMETER



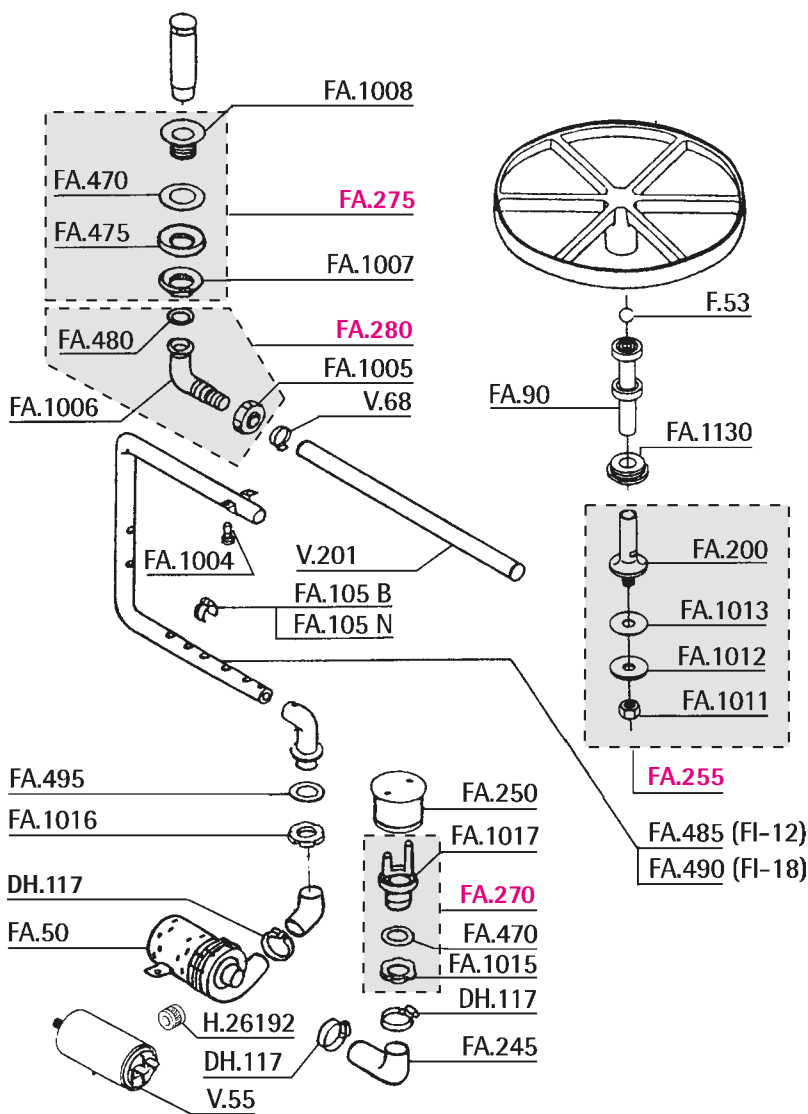


REF.	DESCRIPCIÓN	DESCRIPTION
FA..70	ASTA ACLARADO MOD.FI-12	MOD. FI-12 RINSE ARM
FA..75	ASTA ACLARADO MOD.FI-18	MOD FI-18 RINSE ARM
FA.180	RACOR DE ACLARADO CTO.	CLEAR SPRAY FITTING
FA.265	DOSF.ABRILL.BAJA PRESION	LOW PRESSURE RINSE AID DOS.
FA.285	CALDERIN FI-12/18/240	FI-12/18/240 BOILER
FA.450	ASTA ACLARADO SUPERIOR	UPPER RINSE ARM
FA.505	JUNTA GOMA ARBOL ACLAR.	RINSE ARM RUBBER RING
FA.510	TUERCA ASTA ACLARADO	RINSE ARM NUT
FA.535	JUNTA DISTRIBUIDOR GOMA	DISTRIBUTOR RUBBER GASKET
FA1004	TORNILLO INOX	INOX SCREW
FA1028	FILTRO ASPIRACI" N	ASPIRATION FILTER
FA1029	CONTRAPESO FILTRO	FILTER COUNTERWEIGHT
FA1031	ABRAZADERA INOX 8-16	8-16 INOX CLAMP
FA1147	DEPOSITO ABRILLANTADOR	RINSE AID CONTAINER
J....0	TERMOSTATO 0-90°	0-90° THERMOSTAT
LAV.85	T DE CONEXION	CONECTION T
V...5	TUBO GOMA 10X16 20 ATM	20ATM 10X17 RUBBER PIPE
V...62	ABRAZADERA 12-20	12-20 CLAMP
V..133	ELECTROVAL.2 VIA LAV.220V	WASH 2 WAYS 220V SOLENOID
V..448	TUBO PRESOSTATO-METRO 4X6	4X6 PRE.SWITCH INLET PIPE

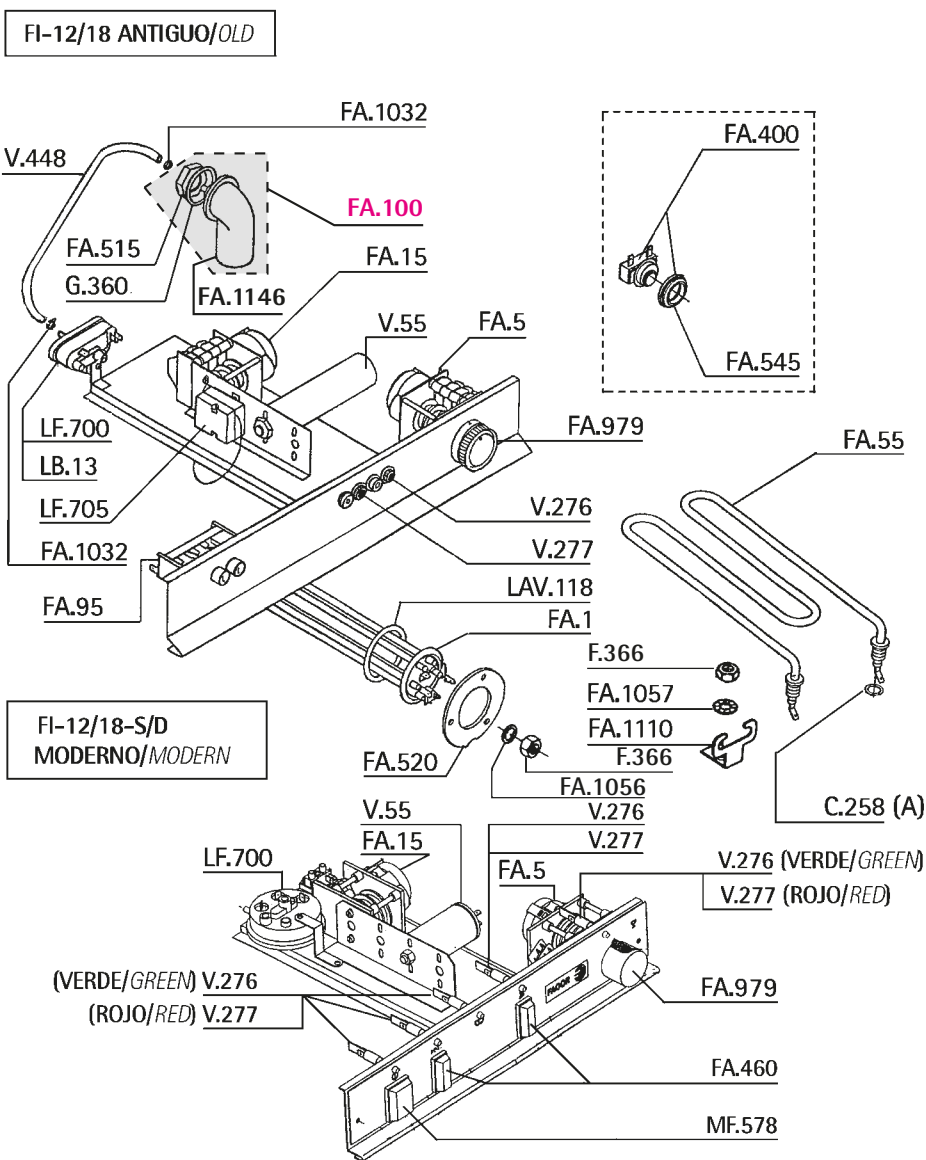


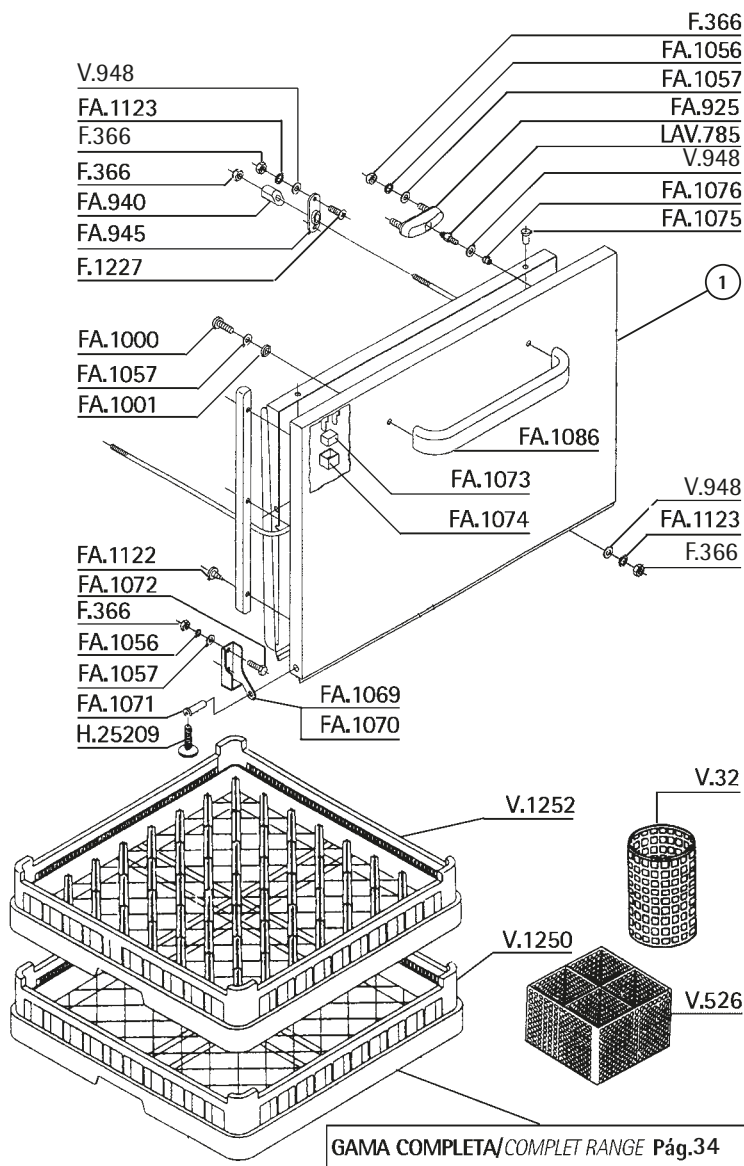
REF.	DESCRIPCIÓN	DESCRIPTION
FA..70	ASTA ACLARADO MOD.FI-12	MOD. FI-12 RINSE ARM
FA..75	ASTA ACLARADO MOD.FI-18	MOD FI-18 RINSE ARM
FA.180	RACOR DE ACLARADO CTO.	CLEAR SPRAY FITTING
FA.265	DOSF.ABRILL.BAJA PRESION	LOW PRESSURE RINSE AID DOS.
FA.285	CALDERIN FI-12/18/240	FI-12/18/240 BOILER
FA.450	ASTA ACLARADO SUPERIOR	UPPER RINSE ARM
FA.505	JUNTA GOMA ARBOL ACLAR.	RINSE ARM RUBBER RING
FA.510	TUERCA ASTA ACLARADO	RINSE ARM NUT
FA1004	TORNILLO INOX	INOX SCREW
FA1028	FILTRO ASPIRACI" N	ASPIRATION FILTER
FA1029	CONTRAPESO FILTRO	FILTER COUNTERWEIGHT
FA1030	JUNTA ALIMENTARIA	ALIMENTARY GASKET
FA1031	ABRAZADERA INOX 8-16	8-16 INOX CLAMP
FA1051	ARANDELA	WASHER
FA1052	TORNILLO INOX	M10x20 mm INOX SCREW
FA1147	DEPOSITO ABRILLANTADOR	RINSE AID CONTAINER
J....0	TERMOSTATO 0-90°	0-90° THERMOSTAT
LAV.85	T DE CONEXION	CONECTION T
LAV900	DEPURADOR LAVATAZAS	WASHING CUP PURIFIER
LAV901	DEPOSITO SAL COMPLETO	SALT CONTAINER
V...5	TUBO GOMA 10X16 20 ATM	20ATM 10X17 RUBBER PIPE
V...62	ABRAZADERA 12-20	12-20 CLAMP
V..134	ELECTROVAL.3VIA LAV.220V	WASH 3 WAYS 220V SOLENOID
V..415	TOMA LAVADORA 1,5M	QUALITY 1.5M.INLET W.FLEX
V..448	TUBO PRESOSTATO-METRO 4X6	4X6 PRE.SWITCH INLET PIPE
V..546	JUNTA GOMA 3/4	WATER INLET RUBBER GASKET
V..815	TOMA LAVADORA 2 METROS	2 MT.INLET WATER FLEXIBLE
V..825	TOMA LAVADORA 1.5 "ECO"	"ECO"1.5M INLET WA.FLEXIB
V..848	TOMA LAVADORA 1.5M INOX	INOX 1.5M INLET WATER FL.
V..849	TOMA LAV.INOX 2MT.3/4X3/4	INOX 2MT.INLET WATER FLE.

REF.	DESCRIPCIÓN	DESCRIPTION
DH.117	ABRAZADERA 46-70	46-70 CLAMP
F..53	ESFERA INOX	INOX SPHERE
FA..50	MOTO BOMBA 0.8 HP	0.8HP WASHING PUMP
FA..90	EJE VOLANTE	ROTATING PLATE ROD
FA.200	CUERPO SOPORTE VOLANTE	SUPPORT ROTATING BODY
FA.245	MANGUITO ENTRADA	INLET SLEEVE
FA.250	FILTRO BOMBA	PUMP FILTER
FA.255	SOPORTE VOLANTE FI-12/18	FI-12/18 PLATE SUPPORT
FA.270	SOPORTE FILTRO	FILTER SUPPORT
FA.275	BASE SOBRENIVEL	OVERFLOW BASE
FA.280	CODO DESAGÜE COMPLETO	COMPLET DRAIN ELBOW
FA.470	JUNTA BASE S.NIVEL GOMA	B.OVERFLOW RUBBER GASKET
FA.475	JUNTA TUERCA GOMA	NUT RUBBER GASKET
FA.480	JUNTA CODO DESAGÜE GOMA	OUTLET RUBBER GASKET
FA.485	ARBOL LAVADO FI-12	FI-12 WASHING TREE
FA.490	ARBOL LAVADO FI-18	FI-18 WASHING TREE
FA.495	JUNTA CODO LAVADO GOMA	RUBBER GASKET
FA1004	TORNILLO INOX	INOX SCREW
FA1005	TUERCA PLASTICO	PLASTIC NUT
FA1006	CODO DESAGÜE	DRAIN ELBOW
FA1007	TUERCA PLASTICO	PLASTIC NUT
FA1008	RACOR DESAGÜE PLASTICO	DRAIN FITTING
FA1011	TUERCA INOX	NUT
FA1012	ARANDELA	WASHER
FA1013	JUNTA GOMA	RUBBER GASKET
FA1015	TUERCA PLASTICO	PLASTIC NUT
FA1016	TUERCA PLASTICO	PLASTIC NUT
FA1017	RACOR ASPIRACION	SUCTION FITTING
FA105B	ROCIADOR LAVADO BLANCO	WASHING SPRAY
FA105N	ROCIADOR LAVADO NEGRO	BLACK WASHING SPRAY
FA1130	TAPON VOLANTE	ROTATING PLATE CAP
H26192	RETEN EJE BOMBA	MECHANICAL SEAL
V..55	CONDENSADOR 10 MF 220V	220V 10MF.CONDENSER
V..68	ABRAZADERA 32-50	35-50 CLAMP
V..201	TUBO DESAGÜE 28mm. 1,5mt.	28mm. 1.5mt OUTLET PIPE



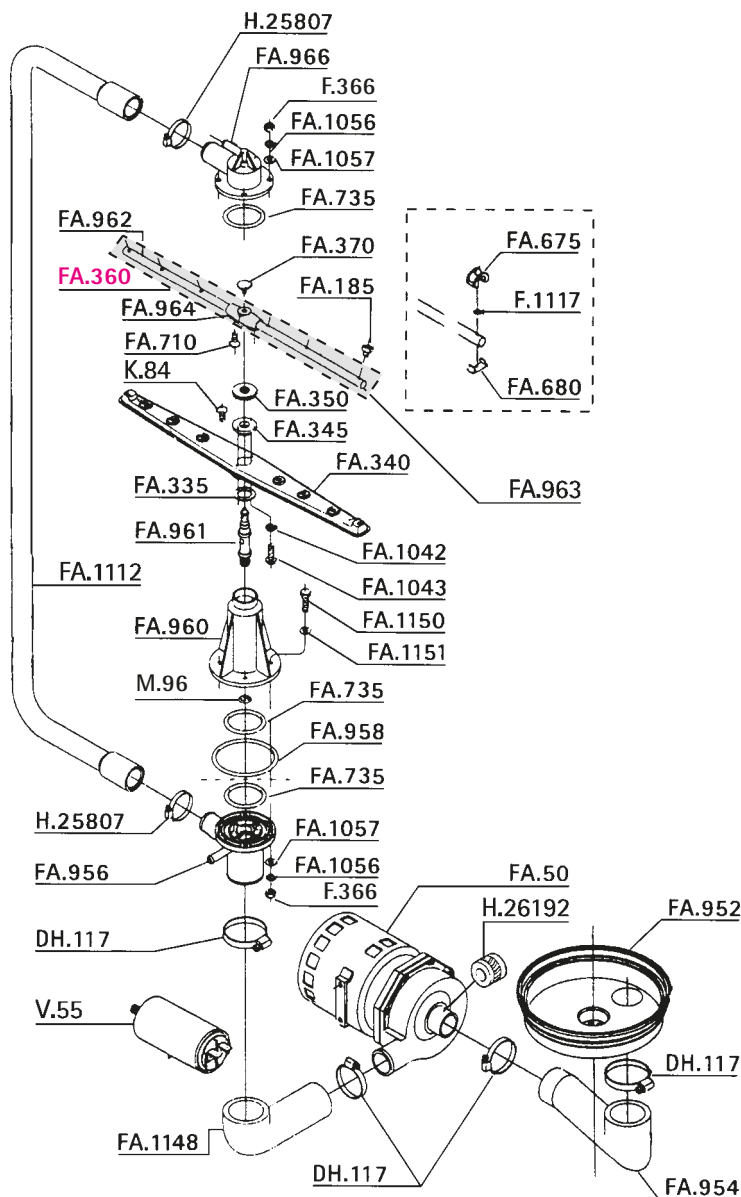
REF.	DESCRIPCIÓN	DESCRIPTION
C..258	JUNTA ALIMENTARIA	ALIMENTARY GASKET
F..366	TUERCA INOX	INOX NUT
FA...1	RESIST.CALD.2400W 230V	2400W 230V BOILER RESIST.
FA...5	PROGRAM.3 MICROS 240S EJE	3 TOOTH 240S ROD TIMER
FA..15	PROGRAM.3MICROS 120S EJE	3 TOOTH 120S ROD TIMER
FA..55	RESIST.CUBA 1500W 230V	1500W 230V TANK RESIST.
FA..95	BOTONERA DOBLE	DOUBLE D.DEVICE
FA.100	CAMARA PRESOSTATICA CTA.	COMPLET PRESSURE SWITCH CHAMBE
FA.400	TERMOSTATO CON JUNTA	WITH GASKET THERMOSTAT
FA.460	INTERRUPT.ACLARADO	RINSE SWITCH
FA.515	TUERCA CAMARA PRESOSTAT.	NUT
FA.520	PLETINA RESISTENCIA	RESISTANCE IRON PLATE
FA.545	JUNTA TERMOSTATO GOMA	THERMOSTAT RUBBER GASKET
FA.979	MANDO PROGRAMADOR	HANDLE
FA1032	BRIDA	CLASP
FA1056	ARANDELA INOX	INOX WASHER
FA1057	ARANDELA INOX	INOX WASHER
FA1110	SOPORTE RESISTENCIA	SUPPORT RESISTANCE
FA1146	CAMARA PRESOSTATICA	PRESSURE SWITCH CHAMBER
G..360	TORICA GOMA	RUBBER RING
LAV118	TORICA GOMA	RING
LB..13	PRESOSTATO SAL.VERT.85/60	VERTICAL PRESSURE SWITCH
LF.700	PRESOSTATO SAL/HOR.80/50	50/80 HORIZ.PRESS SWITCH
LF.705	TERMOSTATO 90° BULBO 3mt.	90° BULB 3m THERMOSTAT
MF.578	INTERRUPTOR 4 FAXTON ROJO	RED FAXTON 4 SWITCH
V..55	CONDENSADOR 10 MF 220V	220V 10MF.CONDENSER
V..276	PILOTO VERDE 10mm 220V CABLE	220V 10mm GREEN LAMP
V..277	PILOTO ROJO 10mm 220V CABLE	220V 10mm RED LAMP
V..448	TUBO PRESOSTATO-METRO 4X6	4X6 PRE.SWITCH INLET PIPE






GAMA COMPLETA/COMPLET RANGE Pág.34

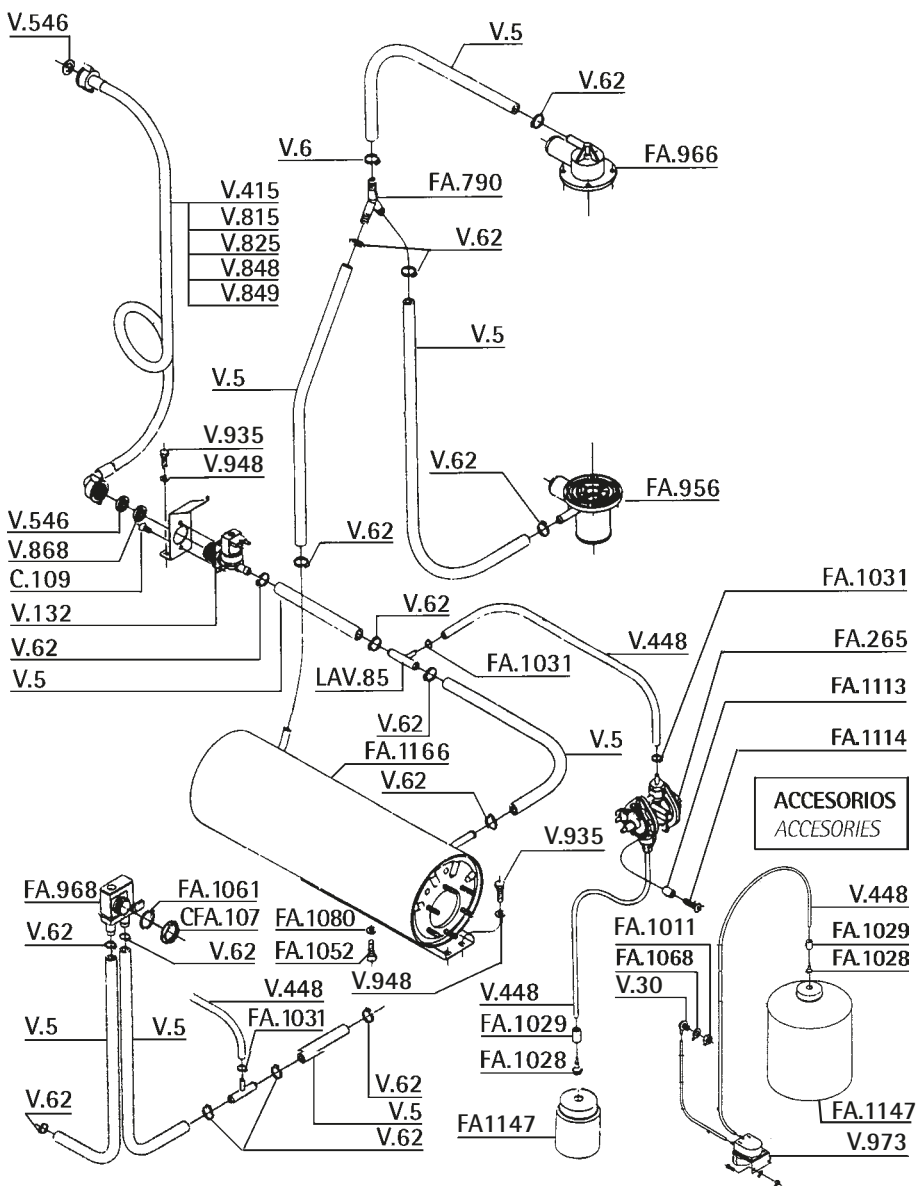
REF.	DESCRIPCIÓN	DESCRIPTION
F.366	TUERCA INOX	INOX NUT
F.1227	TORNILLO	SCREW
FA.925	CIERRE PUERTA	CLOSING DOOR
FA.940	TENSOR PUERTA	DOOR TIGHTENER
FA.945	SOPORTE TENSOR	SUPPORT
FA1000	TORNILLO INOX	INOX SCREW
FA1001	ARANDELA NYLON	NYLON WASHER
FA1056	ARANDELA INOX	INOX WASHER
FA1057	ARANDELA INOX	INOX WASHER
FA1069	BISAGRA DERECHA	RIGHT HINGE
FA1070	BISAGRA IZQUIERDA	LEFT HINGE
FA1071	PASADOR	PIN
FA1072	TORNILLO INOX M6x16 mm	M6x16 mm INOX SCREW
FA1073	IMAN	MAGNET
FA1074	PROTECTOR IMAN	MAGNET PROTECTOR
FA1075	REMACHE	RIVET
FA1076	REMACHE	RIVET
FA1086	ASA CAPO FI.80	FI.80 HANDLE HOOD
FA1122	TORNILLO	SCREW
FA1123	ARANDELA	WASHER
H25209	PIE MAQUINA	MACHINE FOOT
LAV785	PIVOTE CIERRE PUERTA	CLOSING DOOR PIVOT
V...32	CESTO CUCHARAS PLASTICO	PLASTIC SPOON BASKET
V.526	CESTO CUCHARAS CUADRADO	SQUARE SPOON BASKET
V.948	ARANDELA INOX M5	M5 INOX WASHER
V.1250	CESTA VASOS 50X50	50X50 GLASSES RACK
V.1252	CEST.PLATOS-BANDEJA 50X50	PLATES AND TRAYS RACK



REF.	DESCRIPCIÓN	DESCRIPTION
DH.117	ABRAZADERA 46-70	46-70 CLAMP
F.366	TUERCA INOX	INOX NUT
F.1117	TORICA GOMA EPDM	RING
FA..50	MOTO BOMBA 0.8 HP	0.8HP WASHING PUMP
FA.185	ROCIADOR ACLARADO	RINSE SPRAY
FA.335	ARANDELA FRICCION	FRICITION WASHER
FA.340	GIRATORIO LAVADO	WASHING GYRATORY
FA.345	ENGANCHE GIRATORIO	REVOLVING ARM CLIP
FA.350	TUERCA GIRATORIO	REVOLVING ARM NUT
FA.360	GIRATORIO ACLARADO	RINSE GIRATORY
FA.370	TORNILLO FIJACION	FIXING SCREW
FA.675	ROCIADOR ACLARADO	RINSE SPRAY
FA.680	ENGANCHE ROCIADOR ACLARAD	CLEAR SPRAY CLIP
FA.710	TORNILLO INOX	INOX SCREW
FA.735	TORICA GOMA NBR	RUBBER RING
FA.952	CUBETA	TANK
FA.954	CODO ASPIRACION	SUCTION ELBOW
FA.956	SOPORTE INFERIOR	LOWER SUPPORT
FA.958	TORICA GOMA	RING
FA.960	SOPORTE DISTRIBUIDOR	DISTRIBUTOR SUPPORT
FA.961	EJE	ROD
FA.962	ASTA ACLARADO IZQUIERDA	LEFT RINSE ARM
FA.963	ASTA ACLARADO DERECHO	RIGHT RINSE ARM
FA.964	UNION ASTA ACLARADO	RINSE ARM JUNCTION
FA.966	SOPORTE DISTRIBUIDOR	DISTRIBUTOR SUPPORT
FA1042	ARANDELA	WASHER
FA1043	TORNILLO INOX	SCREW
FA1056	ARANDELA INOX	INOX WASHER
FA1057	ARANDELA INOX	INOX WASHER
FA1112	CONDUCTO LAVADO	WASHING CONDUIT
FA1148	CODO IMPULSION	COUDE IMPULSION
FA1150	TORNILLO INOX	INOX SCREW
FA1151	ARANDELA	WASHER
H25807	ABRAZADERA 25-40	25-40 CLAMP
H26192	RETEN EJE BOMBA	MECHANICAL SEAL
K...84	TORNILLO INOX	INOX SCREW
M...96	TORICA GOMA	RUBBER RING
V...55	CONDENSADOR 10 MF 220V	220V 10MF.CONDENSER

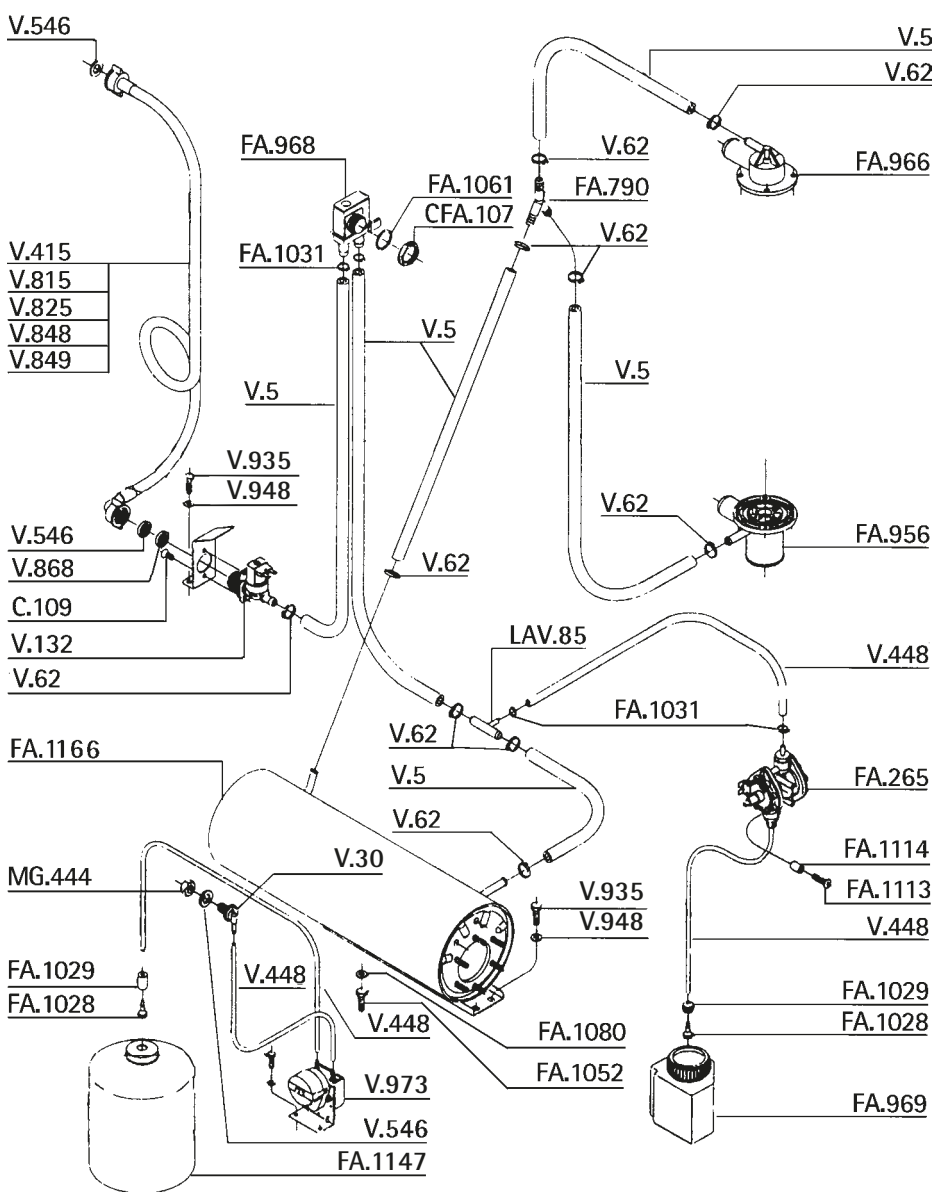
45 years offering  quality, service and competitiveness.

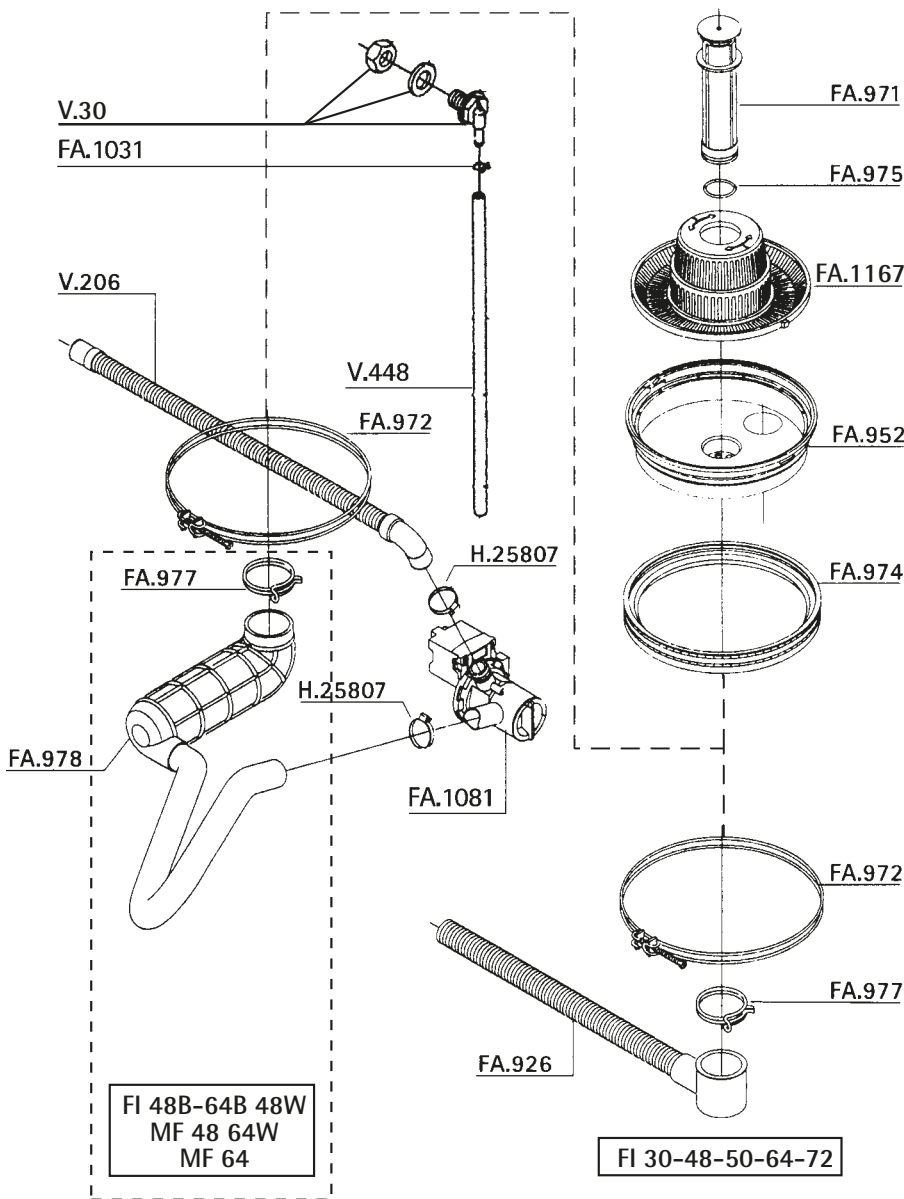
REF.	DESCRIPCIÓN	DESCRIPTION
C..109	TORNILLO	SCREW
CFA107	TUERCA	NUT
FA.265	DOSF.ABRILL.BAJA PRESION	LOW PRESSURE RINSE AID DOS. Y FITTING
FA.790	RACOR Y	
FA.956	SOPORTE INFERIOR	LOWER SUPPORT
FA.966	SOPORTE DISTRIBUIDOR	DISTRIBUTOR SUPPORT
FA.968	VALVULA ANTIRETORNO	ANTI-RETURN VALVE
FA1011	TUERCA INOX	NUT
FA1028	FILTRO ASPIRACI" N	ASPIRATION FILTER
FA1029	CONTRAPESO FILTRO	FILTER COUNTERWEIGHT
FA1031	ABRAZADERA INOX 8-16	8-16 INOX CLAMP
FA1052	TORNILLO INOX	M10x20 mm INOX SCREW
FA1061	JUNTA GOMA	RUBBER GASKET
FA1068	JUNTA GOMA	RUBBER GASKET
FA1080	TORICA	RING
FA1113	CASQUILLO	COLLAR
FA1114	TORNILLO	NUT
FA1147	DEPOSITO ABRILLANTADOR	RINSE AID CONTAINER
FA1166	CALDERIN F130	F130 BOILER
LAV.85	T DE CONEXION	CONEXION T
V...5	TUBO GOMA 10X16 20 ATM	20ATM 10X17 RUBBER PIPE
V...30	RACOR ENTRADA JABON	INLET SOAP FITTING
V...62	ABRAZADERA 12-20	12-20 CLAMP
V..132	ELECTROVAL.1 VIA LAV.220V	WASH 1 WAY 220V SOLENOID
V..415	TOMA LAVADORA 1,5M	QUALITY 1.5M.INLET W.FLEX
V..448	TUBO PRESOSTATO-METRO 4X6	4X6 PRE.SWITCH INLET PIPE
V..546	JUNTA GOMA 3/4	WATER INLET RUBBER GASKET
V..815	TOMA LAVADORA 2 METROS	2 MT.INLET WATER FLEXIBLE
V..825	TOMA LAVADORA 1.5 "ECO"	"ECO"1.5M INLET WA.FLEXIB
V..848	TOMA LAVADORA 1.5M INOX	INOX 1.5M INLET WATER FL.
V..849	TOMA LAV.INOX 2MT.3/4X3/4	INOX 2MT.INLET WATER FLE.
V..868	FILTRO TOMA LAVADORA 3/4	INLET WATER FILTER
V..935	TORNILLO INOX M5x10mm	M5X10mm INOX SCREW
V..948	ARANDELA INOX M5	M5 INOX WASHER
V..973	DOSIFICADOR PERISTALTICO INTER	INTERNAL PERISTALTIC DOS.



Calderín FI-50 ■ FI-50 Boiler

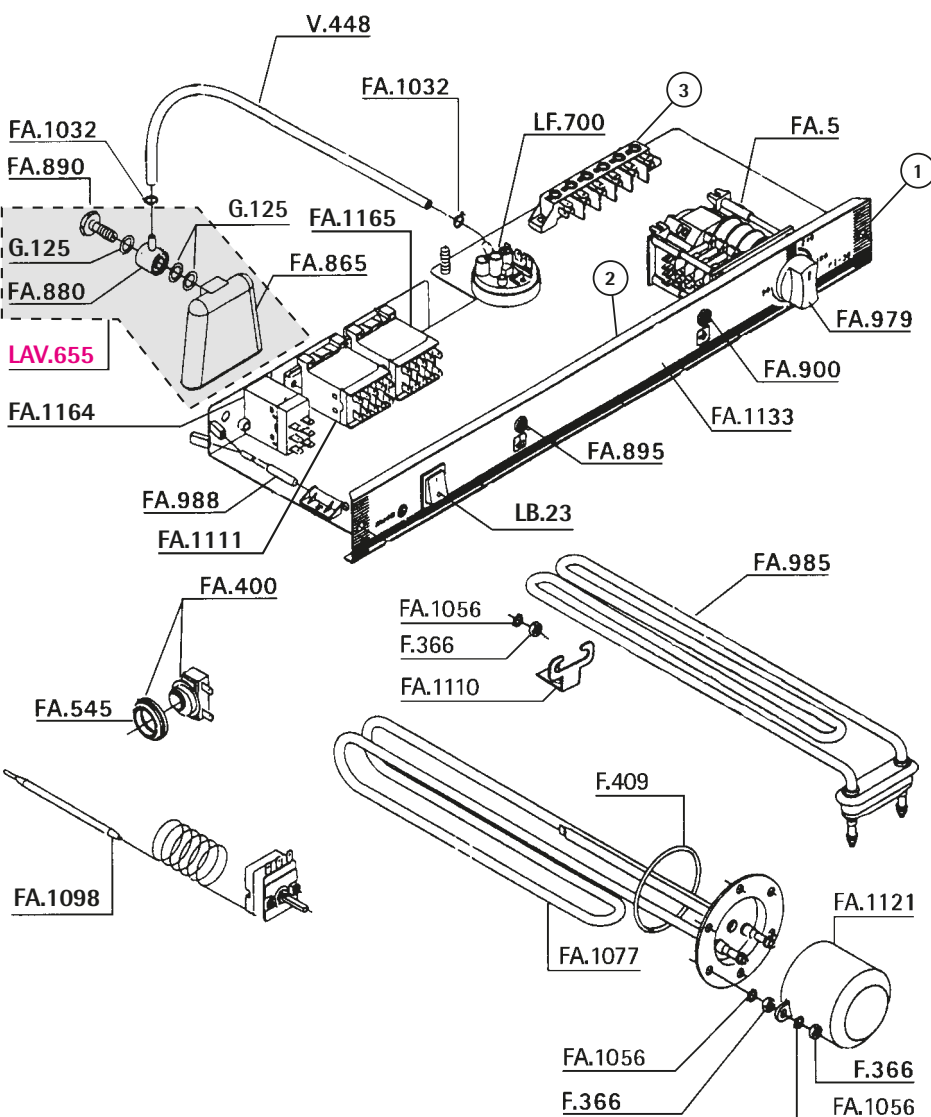
REF.	DESCRIPCIÓN	DESCRIPTION
C..109	TORNILLO	SCREW
CFA107	TUERCA	NUT
FA.265	DOSF.ABRILL.BAJA PRESION	LOW PRESSURE RINSE AID DOS. Y FITTING
FA.790	RACOR Y	
FA.956	SOPORTE INFERIOR	LOWER SUPPORT
FA.966	SOPORTE DISTRIBUIDOR	DISTRIBUTOR SUPPORT
FA.968	VALVULA ANTIRETORNO	ANTI-RETURN VALVE
FA.969	DEPOSITO ABRILLANTADOR	RINSE AID CONTAINER
FA1028	FILTRO ASPIRACI" N	ASPIRATION FILTER
FA1029	CONTRAPESO FILTRO	FILTER COUNTERWEIGHT
FA1031	ABRAZADERA INOX 8-16	8-16 INOX CLAMP
FA1052	TORNILLO INOX	M10x20 mm INOX SCREW
FA1061	JUNTA GOMA	RUBBER GASKET
FA1080	TORICA	RING
FA1113	CASQUILLO	COLLAR
FA1114	TORNILLO	NUT
FA1147	DEPOSITO ABRILLANTADOR	RINSE AID CONTAINER
FA1166	CALDERIN F130	F130 BOILER
LAV.85	T DE CONEXION	CONEXION T
MG.444	TUERCA	NUT
V...5	TUBO GOMA 10X16 20 ATM	20ATM 10X17 RUBBER PIPE
V...30	RACOR ENTRADA JABON	INLET SOAP FITTING
V...62	ABRAZADERA 12-20	12-20 CLAMP
V..132	ELECTROVAL.1 VIA LAV.220V	WASH 1 WAY 220V SOLENOID
V..415	TOMA LAVADORA 1,5M	QUALITY 1.5M.INLET W.FLEX
V..448	TUBO PRESOSTATO-METRO 4X6	4X6 PRE.SWITCH INLET PIPE
V..546	JUNTA GOMA 3/4	WATER INLET RUBBER GASKET
V..815	TOMA LAVADORA 2 METROS	2 MT.INLET WATER FLEXIBLE
V..825	TOMA LAVADORA 1.5 "ECO"	"ECO"1.5M INLET WA.FLEXIB
V..848	TOMA LAVADORA 1.5M INOX	INOX 1.5M INLET WATER FL.
V..849	TOMA LAV.INOX 2MT.3/4X3/4	INOX 2MT.INLET WATER FLE.
V..868	FILTRO TOMA LAVADORA 3/4	INLET WATER FILTER
V..935	TORNILLO INOX M5x10mm	M5X10mm INOX SCREW
V..948	ARANDELA INOX M5	M5 INOX WASHER
V..973	DOSIFICADOR PERISTALTICO INTER	INTERNAL PERISTALTIC DOS.





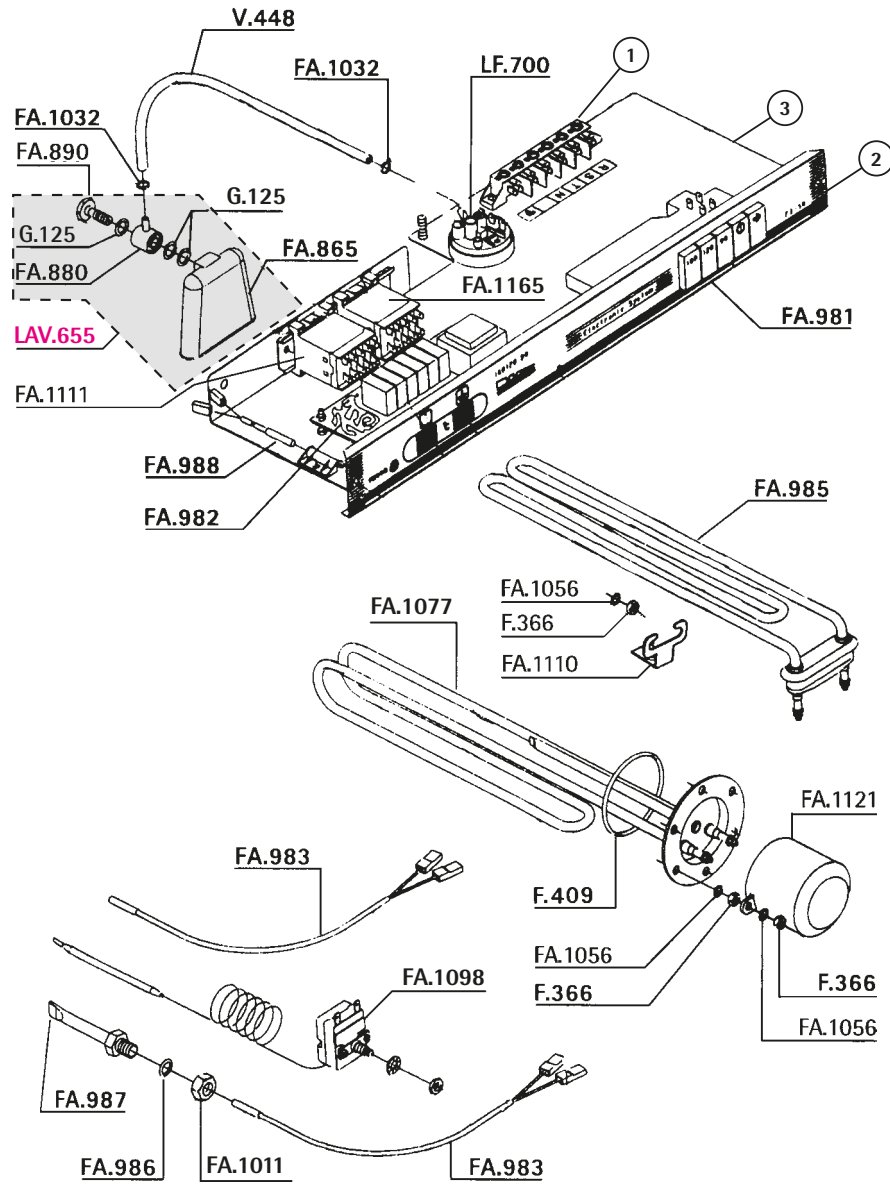
REF.	DESCRIPCIÓN	DESCRIPTION
FA.926	T.DES.L.200cm D.30mm CODO 45mm	L.200cm D.30mm ELBOW 45mm O.P
FA.952	CUBETA	TANK
FA.971	SOBRENIVEL	OVERFLOW
FA.972	ABRAZADERA CUBETA	TANK CLAMP
FA.974	JUNTA CUBETA GOMA	TANK RUBBER GASKET
FA.975	TORICA GOMA NBR	RUBBER RING
FA.977	ABRAZADERA ELASTICA	ELASTIC CLAMP
FA.978	ACUMULADOR	ACCUMULATOR
FA.1031	ABRAZADERA INOX 8-16	8-16 INOX CLAMP
FA.1081	BOMBA DESAGÜE	OUTLET PUMP
FA.1167	CUBETA FILTRO	FILTER TANK
H25807	ABRAZADERA 25-40	25-40 CLAMP
V...30	RACOR ENTRADA JABON	INLET SOAP FITTING
V..206	TUBO DESAGÜE CON CODO	WITH ELBOW OUTLET PIPE
V..448	TUBO PRESOSTATO-METRO 4X6	4X6 PRE.SWITCH INLET PIPE

Mandos / Resistencias FI-30 ■ FI-30 Resistance / Handles

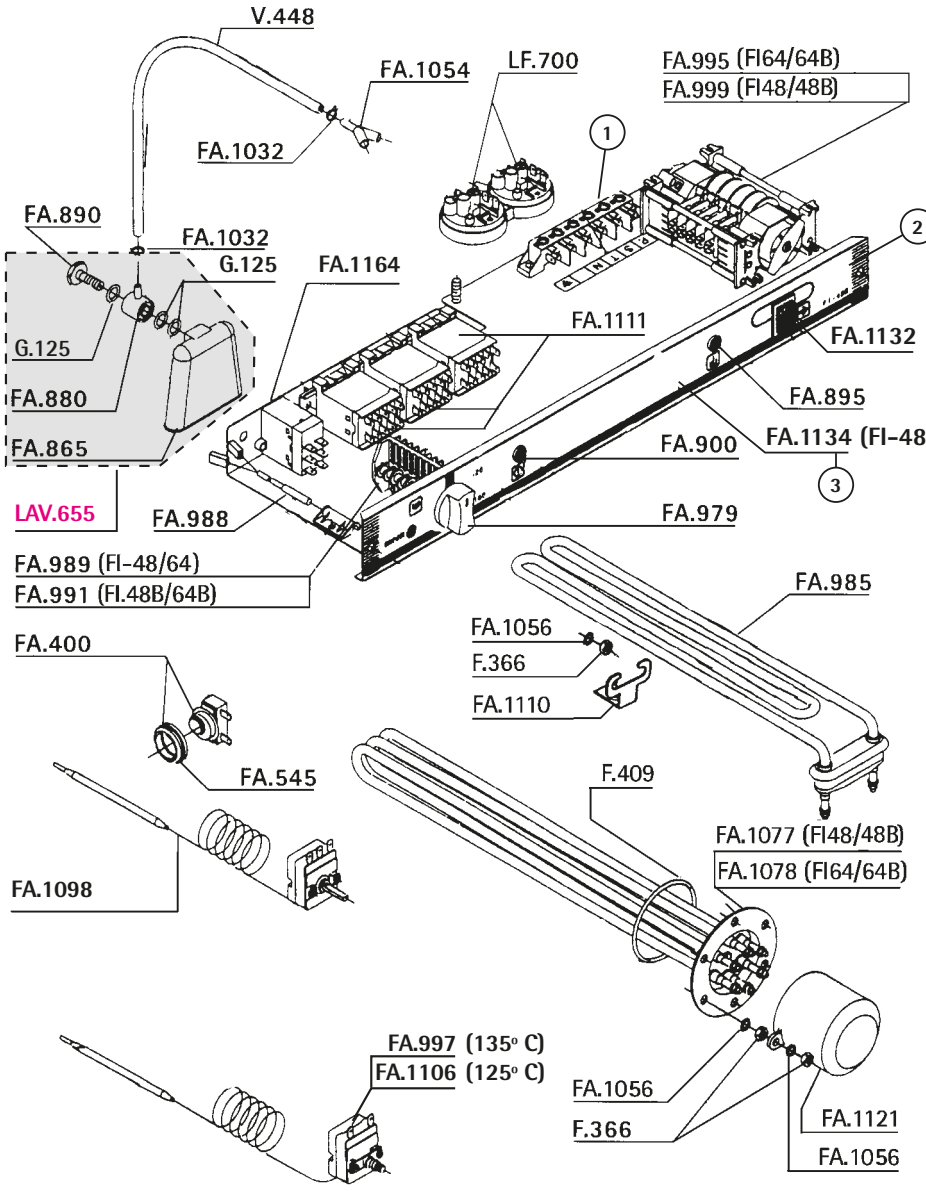


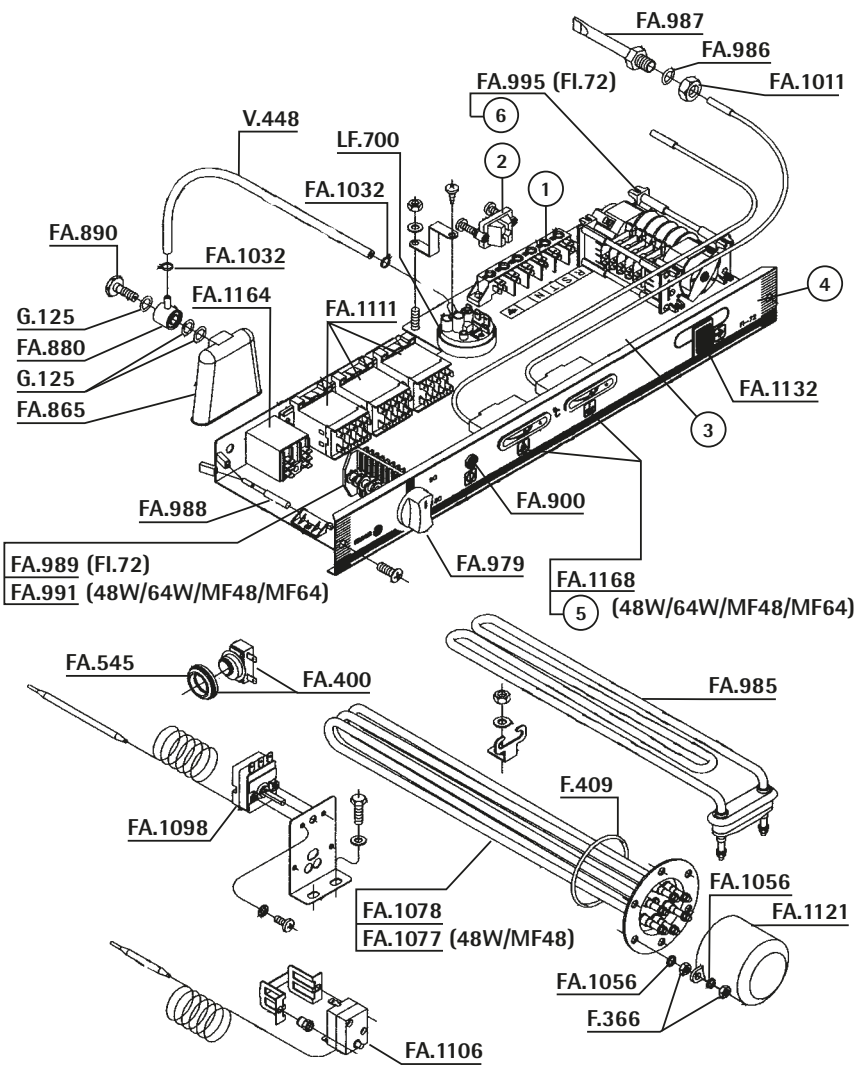
REF.	DESCRIPCIÓN	DESCRIPTION
F.366	TUERCA INOX	INOX NUT
F.409	TORICA GOMA NBR	RUBBER RING
FA...5	PROGRAM.3 MICROS 240S EJE	3 TOOTH 240S ROD TIMER
FA.400	TERMOSTATO CON JUNTA	WITH GASKET THERMOSTAT
FA.545	JUNTA TERMOSTATO GOMA	THERMOSTAT RUBBER GASKET
FA.865	CAMARA PRESOSTATICA	PRESSURE SWITCH CHAMBER
FA.880	EMPALME PRESOSTATO	PRESSURE SWITH UNION
FA.890	TORNILLO ESPECIAL LATON	SCREW
FA.895	PILOTO VERDE 12mm 220V	12mm GREEN WARNING LAMP
FA.900	PILOTO AMBAR 12mm 220V	12mm 220V YELLOW LAMP
FA.979	MANDO PROGRAMADOR	HANDLE
FA.985	RESISTENCIA CUBA 2800W	2800W 230V TANK RESISTANCE
FA.988	INTERRUPTOR MAGNETICO	MAGNET SWITCH
FA.1032	BRIDA	CLASP
FA.1056	ARANDELA INOX	INOX WASHER
FA.1077	RESIS.FI30/FI48 2800W 230V	FI30/FI48 RESIS.2800W 230V
FA.1098	TERMOSTATO CALDERIN	THERMOSTAT BOILER
FA.1110	SOPORTE RESISTENCIA	SUPPORT RESISTANCE
FA.1111	CONTACTOR 220V	220V RELAY
FA.1121	PROTECTOR RESIST.CALDERIN	BOILER RESISTANCE HOOD
FA.1133	ADHESIVO FRONTAL FI-30	FI-30 FRONT STICKER
FA.1164	RELE 16A	16A RELAY
FA.1165	CONTACTOR CALDERIN	BOILER CONTACTOR
G..125	TORICA GOMA EPDM	RUBBER RING
LAV655	CAMPANA PRESOSTATO	PRESSURE SWITCH BELL
LB..23	INTERRUPTOR 4FAXTON VERDE	GREEN 4 FAXTON SWITCH
LF.700	PRESOSTATO SAL/HOR.80/50	50/80 HORIZ.PRESS SWITCH
V..448	TUBO PRESOSTATO-METRO 4X6	4X6 PRE.SWITCH INLET PIPE

REF.	DESCRIPCIÓN	DESCRIPTION
F.366	TUERCA INOX	INOX NUT
F.409	TORICA GOMA NBR	RUBBER RING
FA.865	CAMARA PRESOSTATICA	PRESSURE SWITCH CHAMBER
FA.880	EMPALME PRESOSTATO	PRESSURE SWITH UNION
FA.890	TORNILLO ESPECIAL LATON	SCREW
FA.981	TECLADO	SWITCH BOARD
FA.982	PROGRAMADOR ELECTRONICO	ELECTRONIC TIMER
FA.983	SONDA	PROBE
FA.985	RESISTENCIA CUBA 2800W	2800W 230V TANK RESISTANCE
FA.986	JUNTA FIBRA	FIBRE GASKET
FA.987	VAINA SONDA	PROBE SASTENING
FA.988	INTERRUPTOR MAGNETICO	MAGNET SWITCH
FA1011	TUERCA INOX	NUT
FA1032	BRIDA	CLASP
FA1056	ARANDELA INOX	INOX WASHER
FA1077	RESIS.FI30/FI48 2800W 230V	FI30/FI48 RESIS.2800W 230V
FA1098	TERMOSTATO CALDERIN	THERMOSTAT BOILER
FA1110	SOPORTE RESISTENCIA	SUPPORT RESISTANCE
FA1111	CONTACTOR 220V	220V RELAY
FA1121	PROTECTOR RESIST.CALDERIN	BOILER RESISTANCE HOOD
FA1165	CONTACTOR CALDERIN	BOILER CONTACTOR
G..125	TORICA GOMA EPDM	RUBBER RING
LAV655	CAMPANA PRESOSTATO	PRESSURE SWITCH BELL
LF.700	PRESOSTATO SAL/HOR.80/50	50/80 HORIZ.PRESS SWITCH
V..448	TUBO PRESOSTATO-METRO 4X6	4X6 PRE.SWITCH INLET PIPE



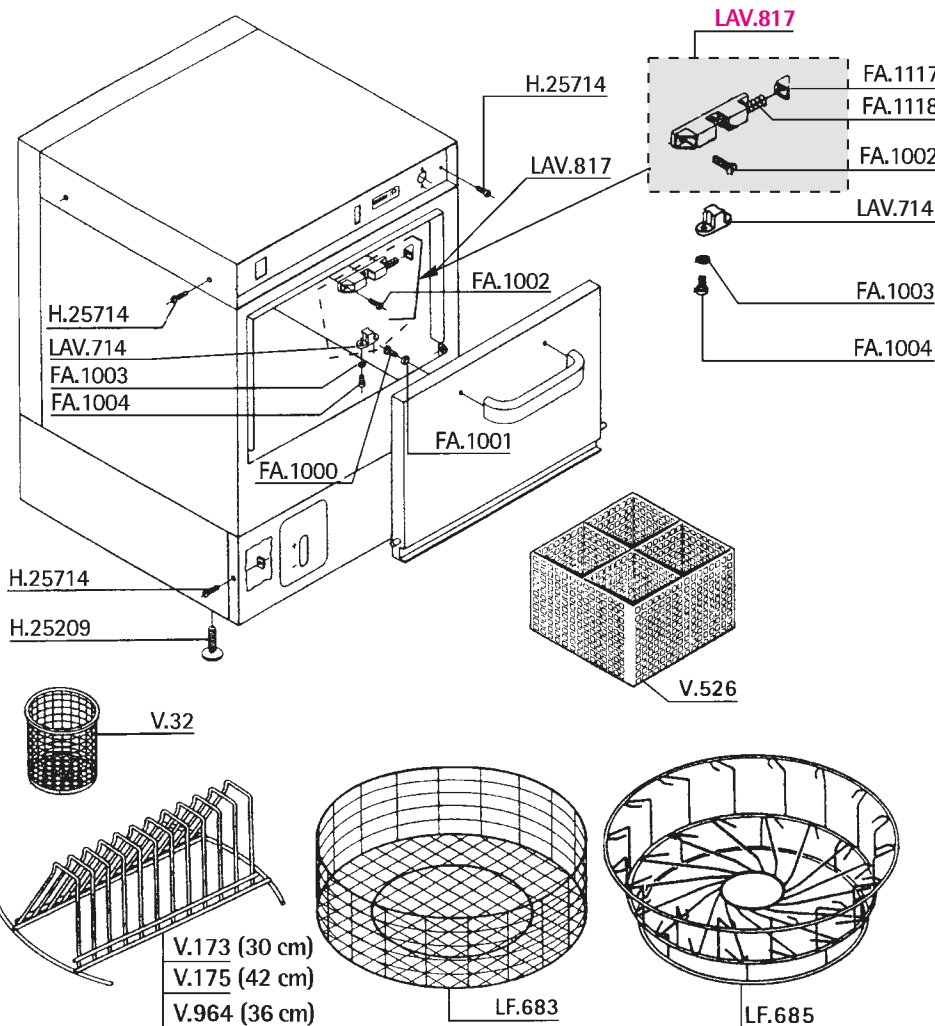
REF.	DESCRIPCIÓN	DESCRIPTION
F.366	TUERCA INOX	INOX NUT
F.409	TORICA GOMA NBR	RUBBER RING
FA.400	TERMOSTATO CON JUNTA	WITH GASKET THERMOSTAT
FA.545	JUNTA THERMOSTATO GOMA	THERMOSTAT RUBBER GASKET
FA.865	CAMARA PRESOSTATICA	PRESSURE SWITCH CHAMBER
FA.880	EMPALME PRESOSTATO	PRESSURE SWITH UNION
FA.890	TORNILLO ESPECIAL LATON	SCREW
FA.895	PILOTO VERDE 12mm 220V	12mm GREEN WARNING LAMP
FA.900	PILOTO AMBAR 12mm 220V	12mm 220V YELLOW LAMP
FA.979	MANDO PROGRAMADOR	HANDLE
FA.985	RESISTENCIA CUBA 2800W	2800W 230V TANK RESISTANCE
FA.988	INTERRUPTOR MAGNETICO	MAGNET SWITCH
FA.989	CONMUTADOR FI-72/48/64	FI-72/48/64 SWITCH
FA.991	CONMUTADOR FI-48B/64B	FI-48B/64B SWITCH
FA.995	PROGRAMADOR FI-72/48B/64B	FI-72/48B/64B TIMER
FA.997	TERMOSTATO 135°	135° THERMOSTAT
FA.999	PROGRAMADOR FI-48/64	FI-48/64 TIMER
FA1032	BRIDA	CLASP
FA1054	RACOR Y	Y FITTING
FA1056	ARANDELA INOX	INOX WASHER
FA1077	RESIS.FI30/FI48 2800W 230V	FI30/FI48 RESIS.2800W 230V
FA1078	RES FI64/FI72/6000W400V	FI64/FI72 RESISTT. 6000W 400V
FA1098	TERMOSTATO CALDERIN	THERMOSTAT BOILER
FA1106	TERMOSTATO LIMITADOR	LIMITER THERMOSTAT
FA1110	SOPORTE RESISTENCIA	SUPPORT RESISTANCE
FA1111	CONTACTOR 220V	220V RELAY
FA1121	PROTECTOR RESIST.CALDERIN	BOILER RESISTANCE HOOD
FA1132	PULSADOR LUMINOSO	LUMINOUS PUSH
FA1134	ADHESIVO FRONTAL FI-48	FI-48 FRONT STICKER
FA1164	RELE 16A	16A RELAY
G..125	TORICA GOMA EPDM	RUBBER RING
LAV655	CAMPANA PRESOSTATO	PRESSURE SWITCH BELL
LF.700	PRESOSTATO SAL/HOR.80/50	50/80 HORIZ.PRESS SWITCH
V..448	TUBO PRESOSTATO-METRO 4X6	4X6 PRE.SWITCH INLET PIPE





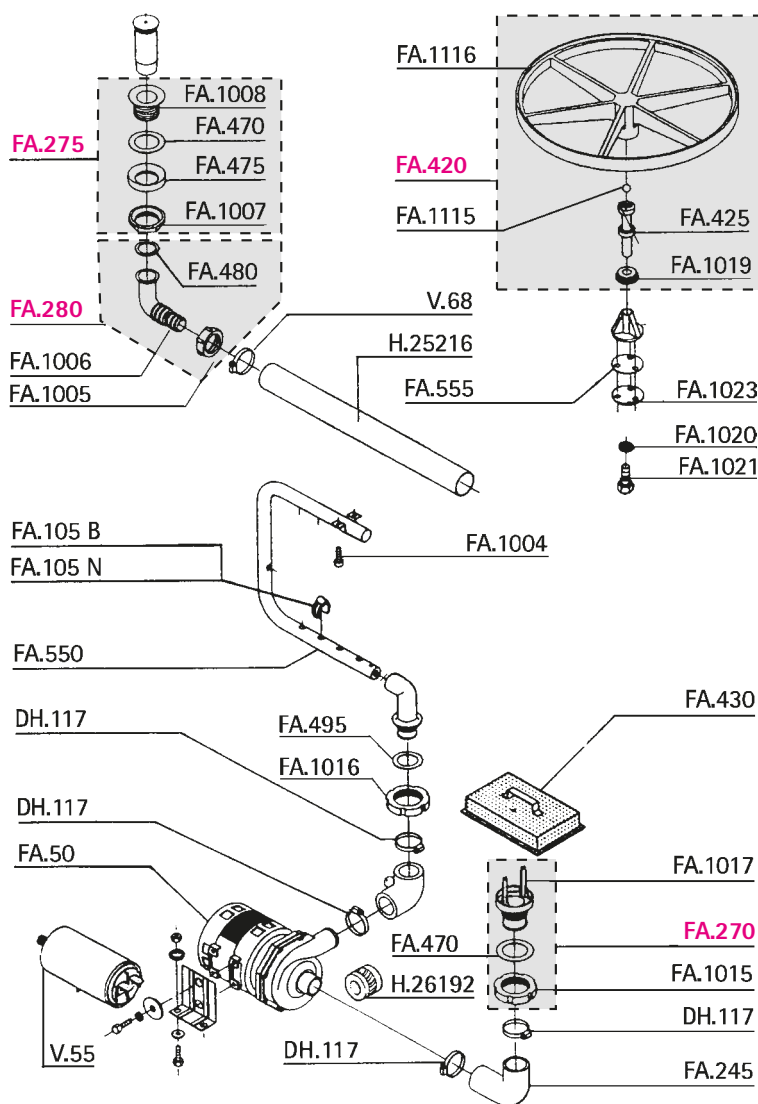
REF.	DESCRIPCIÓN	DESCRIPTION
F.366	TUERCA INOX	INOX NUT
F.409	TORICA GOMA NBR	RUBBER RING
FA.400	TERMOSTATO CON JUNTA	WITH GASKET THERMOSTAT
FA.545	JUNTA TERMOSTATO GOMA	THERMOSTAT RUBBER GASKET
FA.865	CAMARA PRESOSTATICA	PRESSURE SWITCH CHAMBER
FA.880	EMPALME PRESOSTATO	PRESSURE SWITH UNION
FA.890	TORNILLO ESPECIAL LATON	SCREW
FA.900	PILOTO AMBAR 12mm 220V	12mm 220V YELLOW LAMP
FA.979	MANDO PROGRAMADOR	HANDLE
FA.985	RESISTENCIA CUBA 2800W	2800W 230V TANK RESISTANCE
FA.986	JUNTA FIBRA	FIBRE GASKET
FA.987	VAINA SONDA	PROBE SASTENING
FA.988	INTERRUPTOR MAGNETICO	MAGNET SWITCH
FA.989	CONMUTADOR FI-72/48/64	FI-72/48/64 SWITCH
FA.991	CONMUTADOR FI-48B/64B	FI-48B/64B SWITCH
FA.995	PROGRAMADOR FI-72/48B/64B	FI-72/48B/64B TIMER
FA1011	TUERCA INOX	NUT
FA1032	BRIDA	CLASP
FA1056	ARANDELA INOX	INOX WASHER
FA1077	RESIS.FI30/FI48 2800W 230V	FI30/FI48 RESIS.2800W 230V
FA1078	RES FI64/FI72/6000W400V	FI64/FI72 RESISTT. 6000W 400V
FA1098	TERMOSTATO CALDERIN	THERMOSTAT BOILER
FA1106	TERMOSTATO LIMITADOR	LIMITER THERMOSTAT
FA1111	CONTACTOR 220V	220V RELAY
FA1121	PROTECTOR RESIST.CALDERIN	BOILER RESISTANCE HOOD
FA1132	PULSADOR LUMINOSO	LUMINOUS PUSH
FA1164	RELE 16A	16A RELAY
FA1168	INDICADOR ANALOGICO	ANALOGIC INDOCATOR
G..125	TORICA GOMA EPDM	RUBBER RING
LF.700	PRESOSTATO SAL/HOR.80/50	50/80 HORIZ.PRESS SWITCH
V..448	TUBO PRESOSTATO-METRO 4X6	4X6 PRE.SWITCH INLET PIPE

Carrocería/ Cestos FI-240 ■ FI-240 Basket / Bodywork

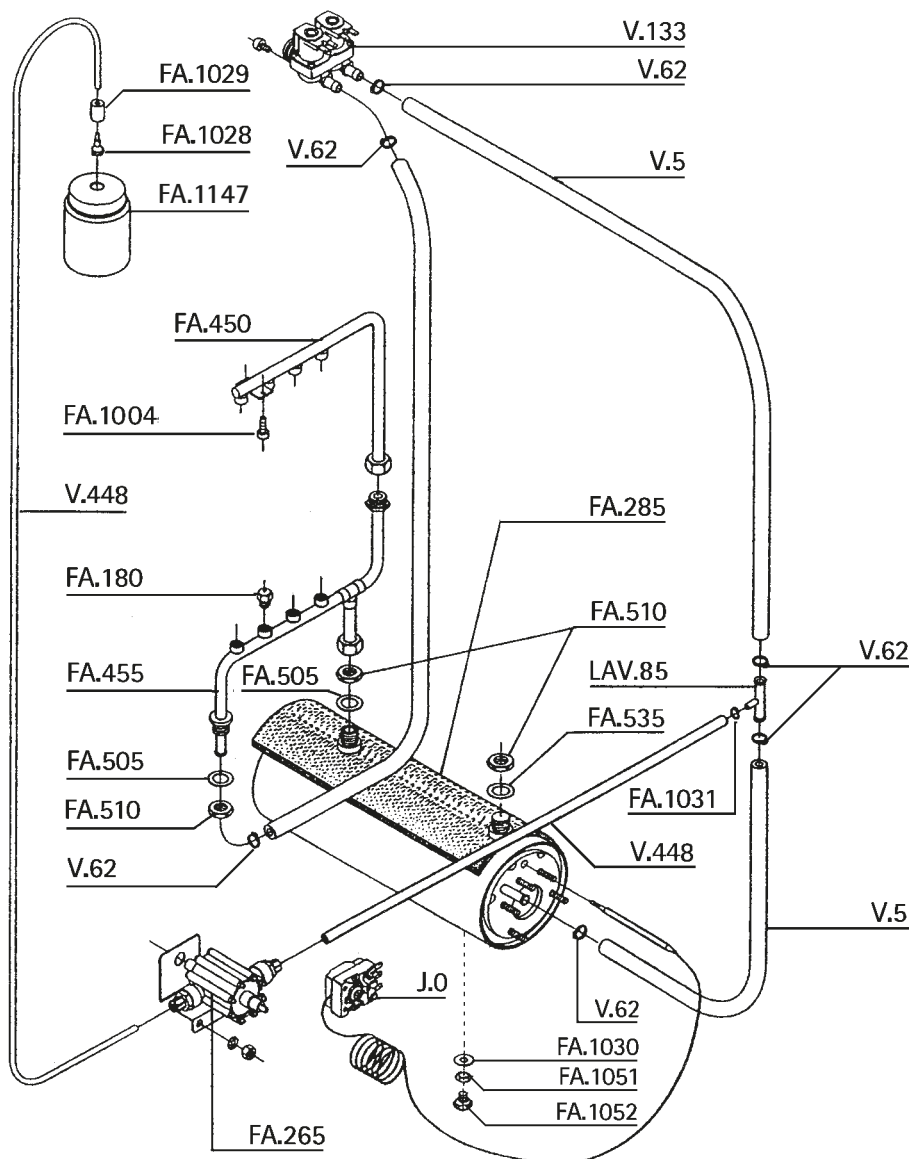


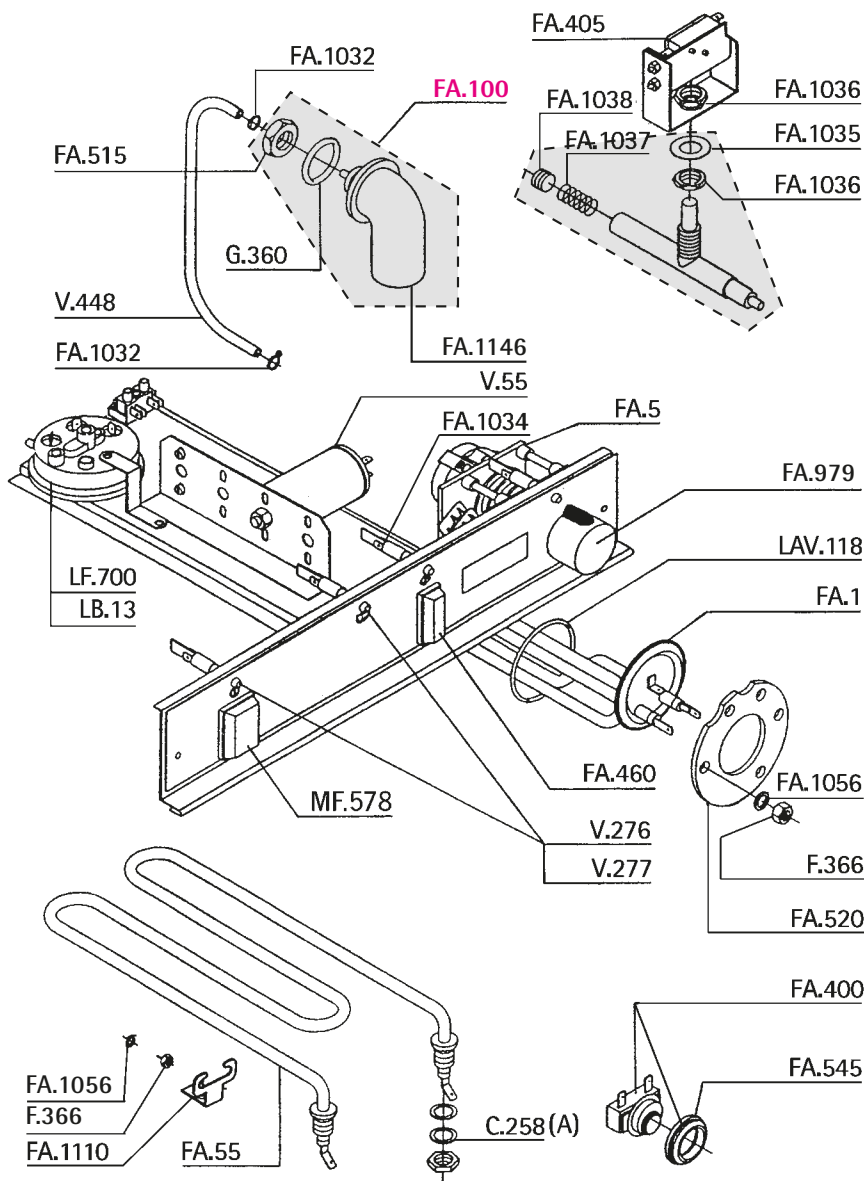
REF.	DESCRIPCIÓN	DESCRIPTION
FA1000	TORNILLO INOX	INOX SCREW
FA1001	ARANDELA NYLON	NYLON WASHER
FA1002	TORNILLO INOX	INOX SCREW
FA1003	ARANDELA	WASHER
FA1004	TORNILLO INOX	INOX SCREW
FA1117	TAPA CIERRE PUERTA	DOOR CATCH CAP
FA1118	MUELLE CIERRE PUERTA	DOOR CATCH SPRING
H25209	PIE MAQUINA	MACHINE FOOT
H25714	TORNILLO INOX	INOX SCREW
LAV714	CIERRE PUERTA MOVIL	MOVIBLE CLOSING DOOR
LAV817	CIERRE PUERTA FIJO	FIXED CLOSING DOOR
LF.683	CESTO VASOS 45 CMT.	45 CM. GLASSES BASKET
LF.685	CESTO PLATOS 45 CMT.	45 CM. DISH BASKET
V..32	CESTO CUCHARAS PLASTICO	PLASTIC SPOON BASKET
V..173	INSERTO PLATOS 30CMT.	30CMT DISHES INSERT
V..175	INSERTO PLATOS 42CMT.	42CMT DISHES INSERT
V..526	CESTO CUCHARAS CUADRADO	SQUARE SPOON BASKET
V..964	INSERTO PLATOS 36cm	36cm DISHES INSERT

REF.	DESCRIPCIÓN	DESCRIPTION
DH.117	ABRAZADERA 46-70	46-70 CLAMP
FA..50	MOTO BOMBA 0.8 HP	0.8HP WASHING PUMP
FA.245	MANGUITO ENTRADA	INLET SLEEVE
FA.270	SOPORTE FILTRO	FILTER SUPPORT
FA.275	BASE SOBRENIVEL	OVERFLOW BASE
FA.280	CODO DESAGÜE COMPLETO	COMPLET DRAIN ELBOW
FA.420	VOLANTE CTO.FI240 41.5CM.	41.5 FI240 COMP.ROT.PLATE
FA.425	EJE VOLANTE FI-240	FI-240 ROTATING PLATE ROD
FA.430	FILTRO CUBA FI-240	FI-240 TANK FILTER
FA.470	JUNTA BASE S.NIVEL GOMA	B.OVERFLOW RUBBER GASKET
FA.475	JUNTA TUERCA GOMA	NUT RUBBER GASKET
FA.480	JUNTA CODO DESAGÜE GOMA	OUTLET RUBBER GASKET
FA.495	JUNTA CODO LAVADO GOMA	RUBBER GASKET
FA.550	ASTA LAVADO FI-240	FI-240 WASHING ARM
FA.555	JUNTA SOPORTE VOLANTE	GASKET
FA1004	TORNILLO INOX	INOX SCREW
FA1005	TUERCA PLASTICO	PLASTIC NUT
FA1006	CODO DESAGÜE	DRAIN ELBOW
FA1007	TUERCA PLASTICO	PLASTIC NUT
FA1008	RACOR DESAGÜE PLASTICO	DRAIN FITTING
FA1015	TUERCA PLASTICO	PLASTIC NUT
FA1016	TUERCA PLASTICO	PLASTIC NUT
FA1017	RACOR ASPIRACION	SUCTION FITTING
FA1019	TUERCA PLASTICO	PLASTIC NUT
FA1020	ARANDELA	WASHER
FA1021	TORNILLO	SCREW
FA1023	ARANDELA	WASHER
FA105B	ROCIADOR LAVADO BLANCO	WASHING SPRAY
FA105N	ROCIADOR LAVADO NEGRO	BLACK WASHING SPRAY
FA1115	BOLA ACERO INOX	INOX BELL
FA1116	VOLANTE	ROTATING PLATE
H25216	TUBO DESAGÜE TODOS MODELO	OUTLET PIPE
H26192	RETEN EJE BOMBA	MECHANICAL SEAL
V...55	CONDENSADOR 10 MF 220V	220V 10MF.CONDENSER
V...68	ABRAZADERA 32-50	35-50 CLAMP

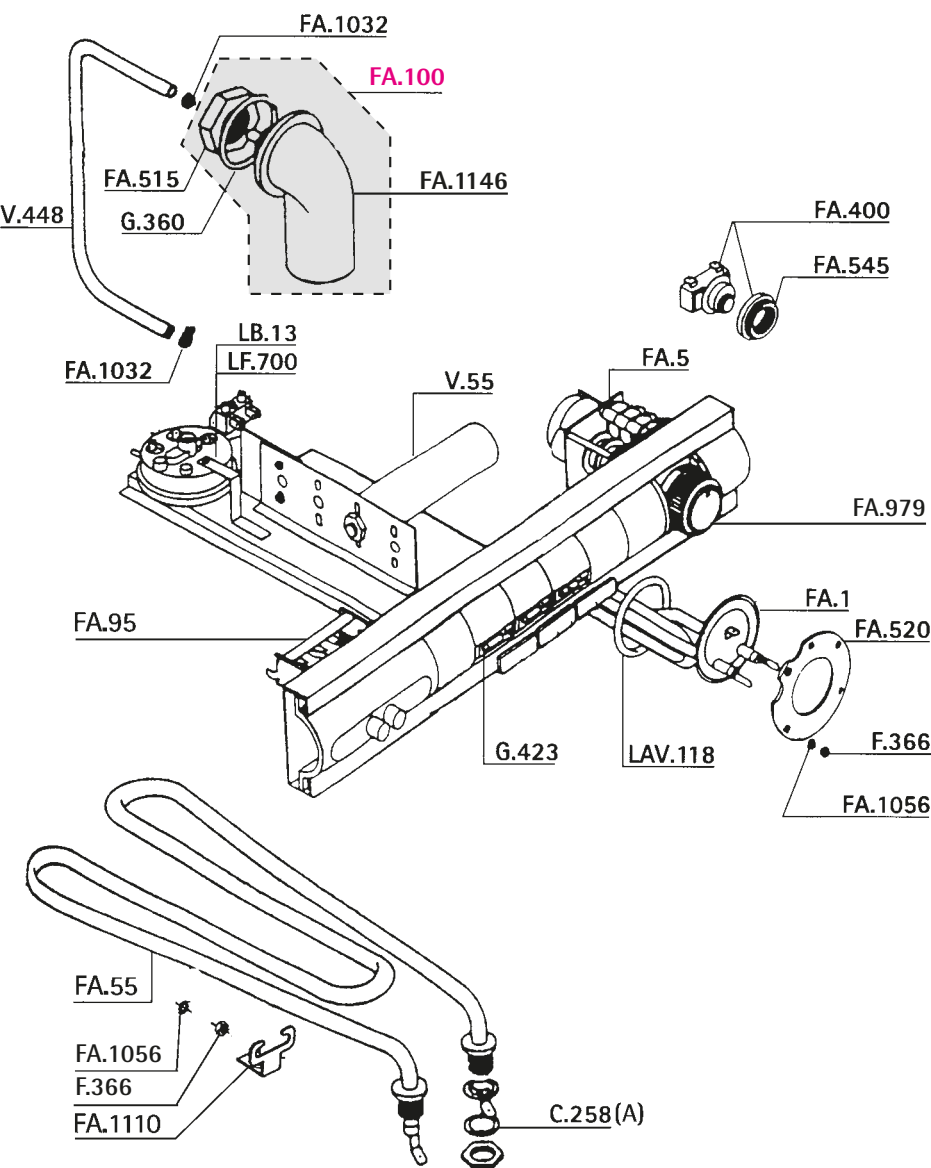


REF.	DESCRIPCIÓN	DESCRIPTION
FA.180	RACOR DE ACLARADO CTO.	CLEAR SPRAY FITTING
FA.265	DOSF.ABRILL.BAJA PRESION	LOW PRESSURE RINSE AID DOS.
FA.285	CALDERIN FI-12/18/240	FI-12/18/240 BOILER
FA.450	ASTA ACLARADO SUPERIOR	UPPER RINSE ARM
FA.455	ASTA ACLARADO INFERIOR	LOWER RINSE ARM
FA.505	JUNTA GOMA ARBOL ACLAR.	RINSE ARM RUBBER RING
FA.510	TUERCA ASTA ACLARADO	RINSE ARM NUT
FA.535	JUNTA DISTRIBUIDOR GOMA	DISTRIBUTOR RUBBER GASKET
FA1004	TORNILLO INOX	INOX SCREW
FA1028	FILTRO ASPIRACION	ASPIRATION FILTER
FA1029	CONTRAPESO FILTRO	FILTER COUNTERWEIGHT
FA1030	JUNTA ALIMENTARIA	ALIMENTARY GASKET
FA1031	ABRAZADERA INOX 8-16	8-16 INOX CLAMP
FA1051	ARANDELA	WASHER
FA1052	TORNILLO INOX	M10x20 mm INOX SCREW
FA1147	DEPOSITO ABRILLANTADOR	RINSE AID CONTAINER
J....0	TERMOSTATO 0-90°	0-90° THERMOSTAT
LAV.85	T DE CONEXION	CONNECTION T
V....5	TUBO GOMA 10X16 20 ATM	20ATM 10X17 RUBBER PIPE
V...62	ABRAZADERA 12-20	12-20 CLAMP
V.133	ELECTROVAL.2 VIA LAV.220V	WASH 2 WAYS 220V SOLENOID
V.448	TUBO PRESOSTATO-METRO 4X6	4X6 PRE.SWITCH INLET PIPE





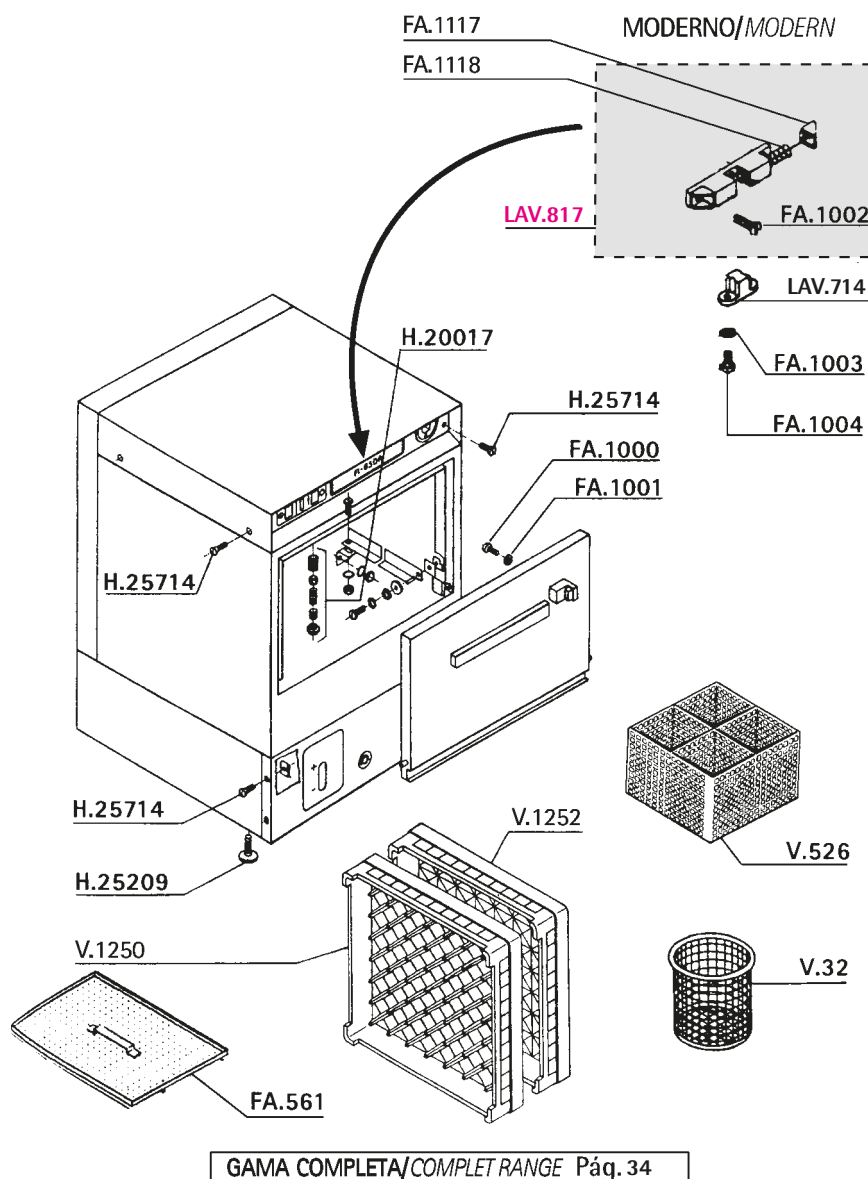
REF.	DESCRIPCIÓN	DESCRIPTION
C..258	JUNTA ALIMENTARIA	ALIMENTARY GASKET
F.366	TUERCA INOX	INOX NUT
FA...1	RESIST.CALD.2400W 230V	2400W 230V BOILER RESIST.
FA...5	PROGRAM.3 MICROS 240S EJE	3 TOOTH 240S ROD TIMER
FA..55	RESIST.CUBA 1500W 230V	1500W 230V TANK RESIST.
FA.100	CAMARA PRESOSTATICA CTA.	COMPLET PRESSURE SWITCH CHAMBE
FA.400	TERMOSTATO CON JUNTA	WITH GASKET THERMOSTAT
FA.405	MICRO PUERTA 250V 16A	250V 16A DOOR MICROSWITCH
FA.460	INTERRUPT.ACLEARADO	RINSE SWITCH
FA.515	TUERCA CAMARA PRESOSTAT.	NUT
FA.520	PLETINA RESISTENCIA	RESISTANCE IRON PLATE
FA.545	JUNTA TERMOSTATO GOMA	THERMOSTAT RUBBER GASKET
FA.979	MANDO PROGRAMADOR	HANDLE
FA1032	BRIDA	CLASP
FA1034	PILOTO TRANSPARENTE	TRANSPARENT LAMP
FA1035	JUNTA GOMA	RUBBER GASKET
FA1036	TUERCA	NUT
FA1037	MUELLE	SPRING
FA1038	TAPON INOX	INOX CAP
FA1056	ARANDELA INOX	INOX WASHER
FA1110	SOPORTE RESISTENCIA	SUPPORT RESISTANCE
FA1146	CAMARA PRESOSTATICA	PRESSURE SWITCH CHAMBER
G..360	TORICA GOMA	RUBBER RING
LAV118	TORICA GOMA	RING
LB..13	PRESOSTATO SAL.VERT.85/60	VERTICAL PRESSURE SWITCH
LF.700	PRESOSTATO SAL/HOR.80/50	50/80 HORIZ.PRESS SWITCH
MF.578	INTERRUPTOR 4 FAXTON ROJO	RED FAXTON 4 SWITCH
V...55	CONDENSADOR 10 MF 220V	220V 10MF.CONDENSER
V..276	PILOTO VERDE 10mm 220V CABLE	220V 10mm GREEN LAMP
V..277	PILOTO ROJO 10mm 220V CABLE	220V 10mm RED LAMP
V..448	TUBO PRESOSTATO-METRO 4X6	4X6 PRE.SWITCH INLET PIPE



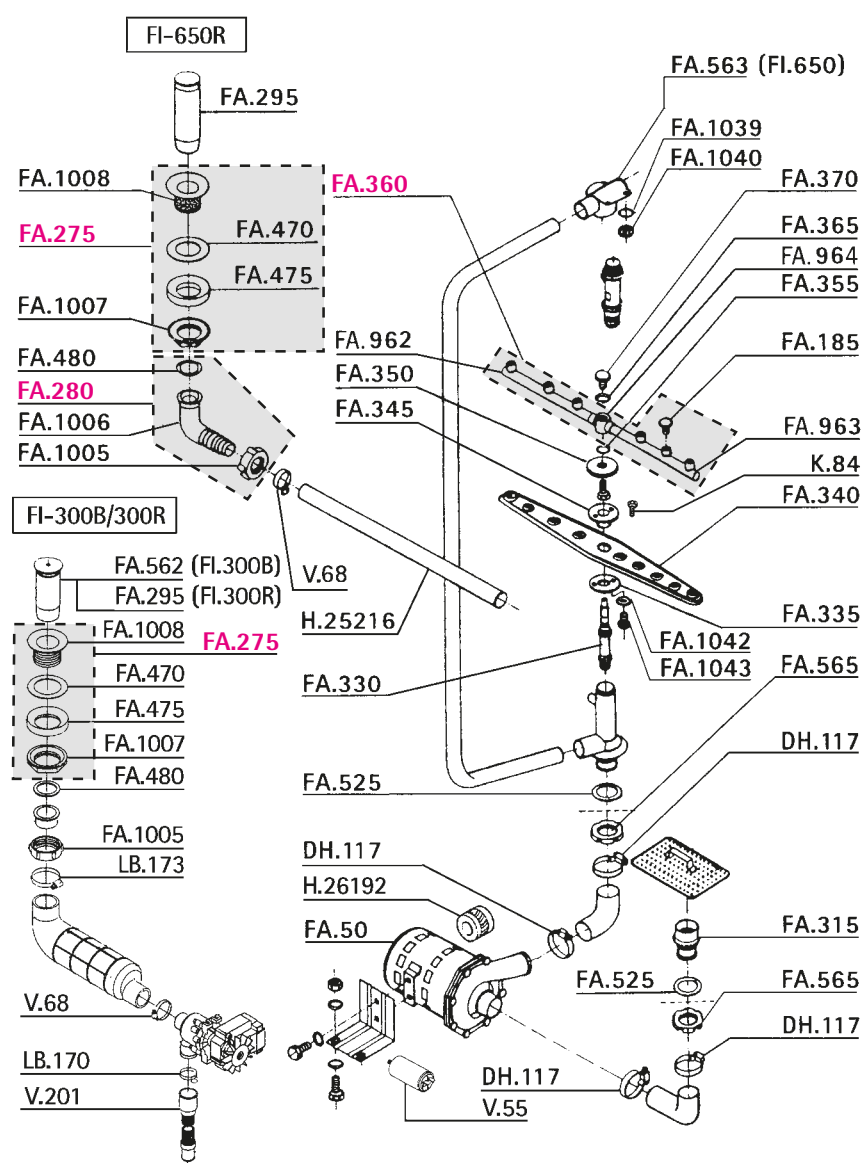
REF.	DESCRIPCIÓN	DESCRIPTION
C..258	JUNTA ALIMENTARIA	ALIMENTARY GASKET
F.366	TUERCA INOX	INOX NUT
FA...1	RESIST.CALD.2400W 230V	2400W 230V BOILER RESIST.
FA...5	PROGRAM.3 MICROS 240S EJE	3 TOOTH 240S ROD TIMER
FA..55	RESIST.CUBA 1500W 230V	1500W 230V TANK RESIST.
FA..95	BOTONERA DOBLE	DOUBLE D.DEVICE
FA.100	CAMARA PRESOSTATICA CTA.	COMPLET PRESSURE SWITCH CHAMBE
FA.400	TERMOSTATO CON JUNTA	WITH GASKET THERMOSTAT
FA.515	TUERCA CAMARA PRESOSTAT.	NUT
FA.520	PLETINA RESISTENCIA	RESISTANCE IRON PLATE
FA.545	JUNTA TERMOSTATO GOMA	THERMOSTAT RUBBER GASKET
FA.979	MANDO PROGRAMADOR	HANDLE
FA1032	BRIDA	CLASP
FA1056	ARANDELA INOX	INOX WASHER
FA1110	SOPORTE RESISTENCIA	SUPPORT RESISTANCE
FA1146	CAMARA PRESOSTATICA	PRESSURE SWITCH CHAMBER
G..360	TORICA GOMA	RUBBER RING
G..423	PILOTO NEON 220V	220V WARNING LAMP
LAV118	TORICA GOMA	RING
LB..13	PRESOSTATO SAL.VERT.85/60	VERTICAL PRESSURE SWITCH
LF.700	PRESOSTATO SAL/HOR.80/50	50/80 HORIZ.PRESS SWITCH
V...55	CONDENSADOR 10 MF 220V	220V 10MF.CONDENSER
V..448	TUBO PRESOSTATO-METRO 4X6	4X6 PRE.SWITCH INLET PIPE

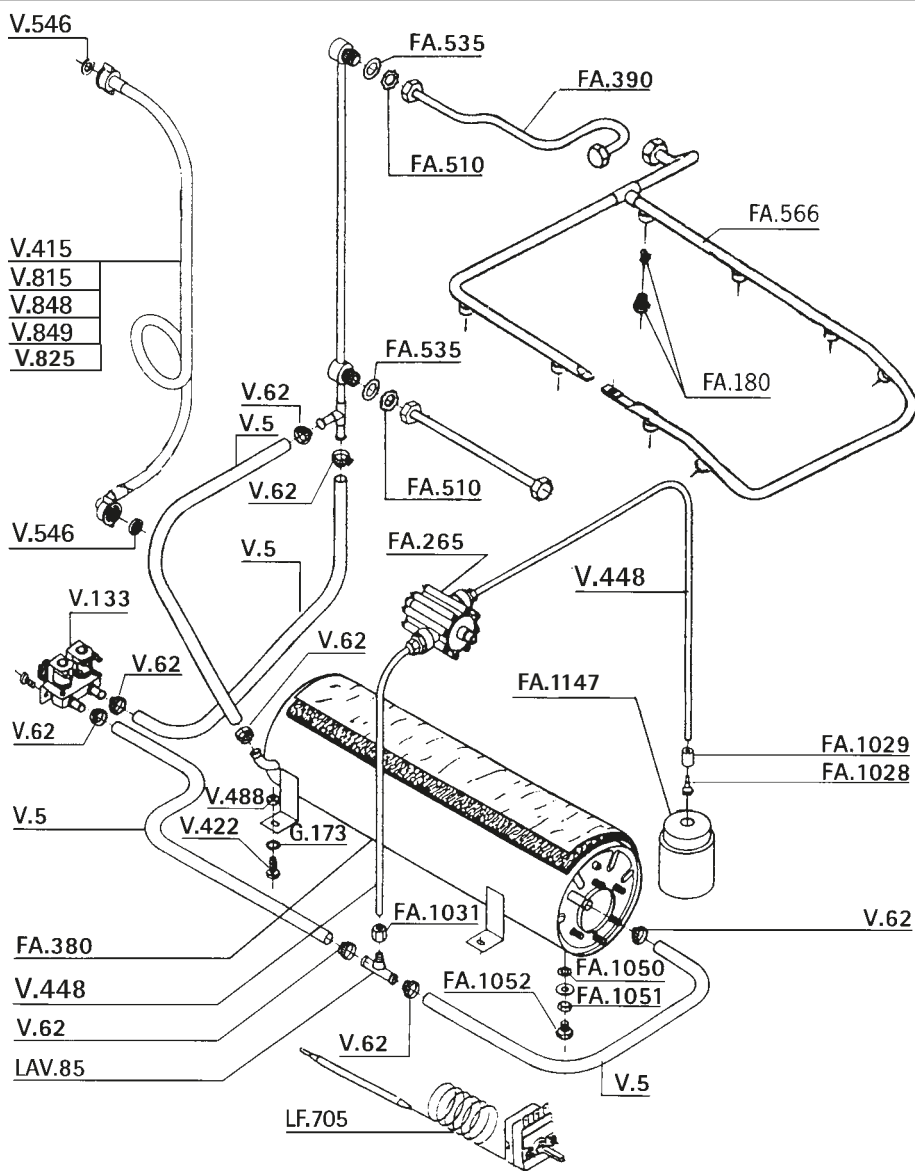


REF.	DESCRIPCIÓN	DESCRIPTION
FA.561	BANDEJA FILTRO	FILTER TRAY
FA1000	TORNILLO INOX	INOX SCREW
FA1001	ARANDELA NYLON	NYLON WASHER
FA1002	TORNILLO INOX	INOX SCREW
FA1003	ARANDELA	WASHER
FA1004	TORNILLO INOX	INOX SCREW
FA1117	TAPA CIERRE PUERTA	DOOR CATCH CAP
FA1118	MUELLE CIERRE PUERTA	DOOR CATCH SPRING
H20017	CIERRE PUERTA	CLOSING DOOR
H25209	PIE MAQUINA	MACHINE FOOT
H25714	TORNILLO INOX	INOX SCREW
LAV714	CIERRE PUERTA MOVIL	MOVIBLE CLOSING DOOR
LAV817	CIERRE PUERTA FIJO	FIXED CLOSING DOOR
V...32	CESTO CUCHARAS PLASTICO	PLASTIC SPOON BASKET
V.526	CESTO CUCHARAS CUADRADO	SQUARE SPOON BASKET
V.1250	CESTA VASOS 50X50	50X50 GLASSES RACK
V.1252	CEST.PLATOS-BANDEJA 50X50	PLATES AND TRAYS RACK



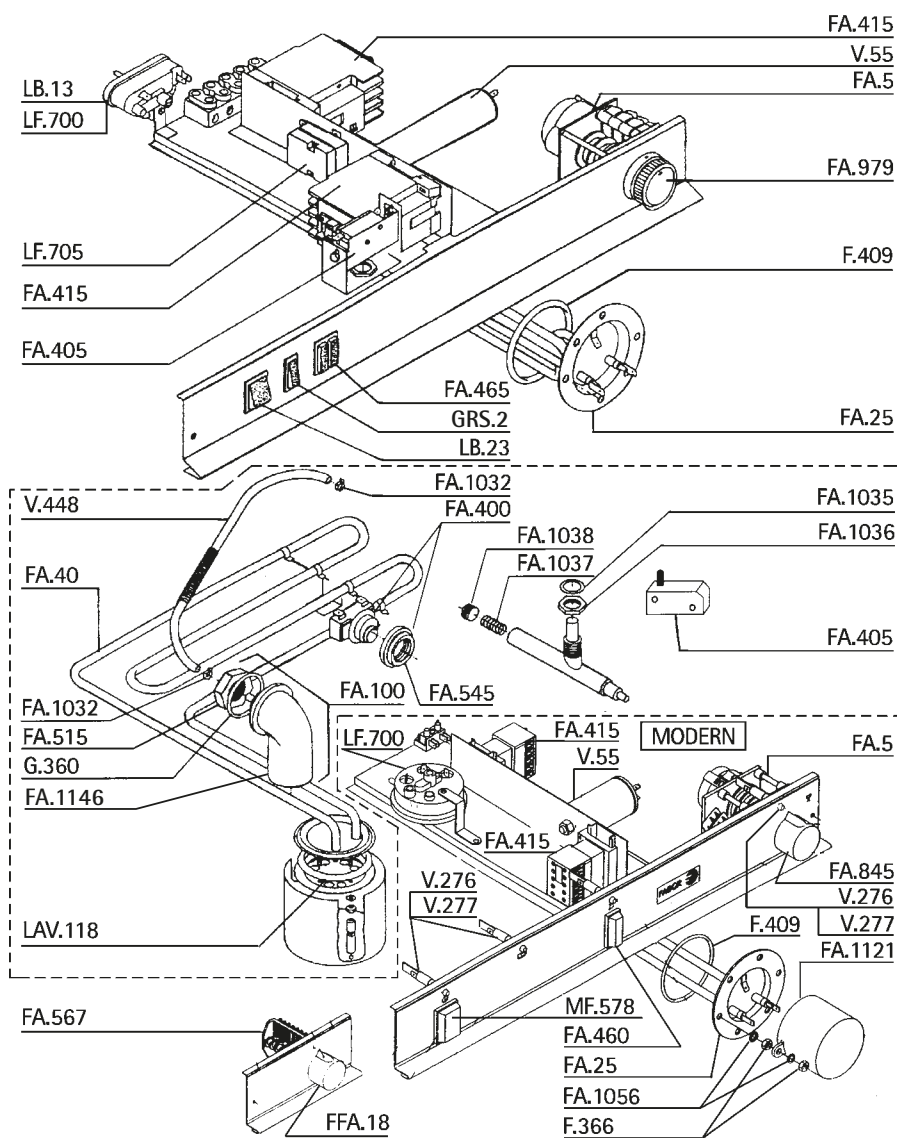
REF.	DESCRIPCIÓN	DESCRIPTION
DH.117	ABRAZADERA 46-70	46-70 CLAMP
FA..50	MOTO BOMBA 0.8 HP	0.8HP WASHING PUMP
FA.185	ROCIADOR ACLARADO	RINSE SPRAY
FA.275	BASE SOBRENIVEL	OVERFLOW BASE
FA.280	CODO DESAGÜE COMPLETO	COMPLET DRAIN ELBOW
FA.295	SOBRENIVEL FI650/300R	FI-650/300R OVERFLOW
FA.315	TOBERA ASPIRACION	SUCTION PIPE
FA.330	EJE GIRATORIO	REVOLVING ARM ROD
FA.335	ARANDELA FRICCION	FRICTION WASHER
FA.340	GIRATORIO LAVADO	WASHING GYRATORY
FA.345	ENGANCHE GIRATORIO	REVOLVING ARM CLIP
FA.350	TUERCA GIRATORIO	REVOLVING ARM NUT
FA.355	ARANDELA TEFLON GIRATORIO	TEFLON WASHER
FA.360	GIRATORIO ACLARADO	RINSE GYRATORY
FA.365	ARANDELA GIRATORIO	REVOLVING ARM WASHER
FA.370	TORNILLO FIJACION	FIXING SCREW
FA.470	JUNTA BASE S.NIVEL GOMA	B.OVERFLOW RUBBER GASKET
FA.475	JUNTA TUERCA GOMA	NUT RUBBER GASKET
FA.480	JUNTA CODO DESAGÜE GOMA	OUTLET RUBBER GASKET
FA.525	JUNTA SOPORTE GOMA	SUPPORT RUBBER GASKET
FA.562	SOBRENIVEL FI-300B	FI-300B OVERFLOW
FA.563	SOPORTE GIRATORIO FI-650	FI-650 REVOLVING ARM SUP.
FA.565	TUERCA PLASTICO	PLASTIC NUT
FA.962	ASTA ACLARADO IZQUIERDA	LEFT RINSE ARM
FA.963	ASTA ACLARADO DERECHA	RIGTH RINSE ARM
FA.964	UNION ASTA	ARM FITTING
FA1005	TUERCA PLASTICO	PLASTIC NUT
FA1006	CODO DESAGÜE	DRAIN ELBOW
FA1007	TUERCA PLASTICO	PLASTIC NUT
FA1008	RACOR DESAGÜE PLASTICO	DRAIN FITTING
FA1039	ARANDELA	WASHER
FA1040	TUERCA	NUT
FA1042	ARANDELA	WASHER
FA1043	TORNILLO INOX	SCREW
H25216	TUBO DESAGÜE TODOS MODELO	OUTLET PIPE
H26192	RETEN EJE BOMBA	MECHANICAL SEAL
K...84	TORNILLO INOX	INOX SCREW
LB.170	ABRAZADERA 40-60	40-60 CLAMP
LB.173	ABRAZADERA 60-80	60-80 CLAMP
V...55	CONDENSADOR 10 MF 220V	220V 10MF.CONDENSER
V..68	ABRAZADERA 32-50	35-50 CLAMP
V.201	TUBO DESAGÜE 28mm. 1,5mt.	28mm. 1.5mt OUTLET PIPE





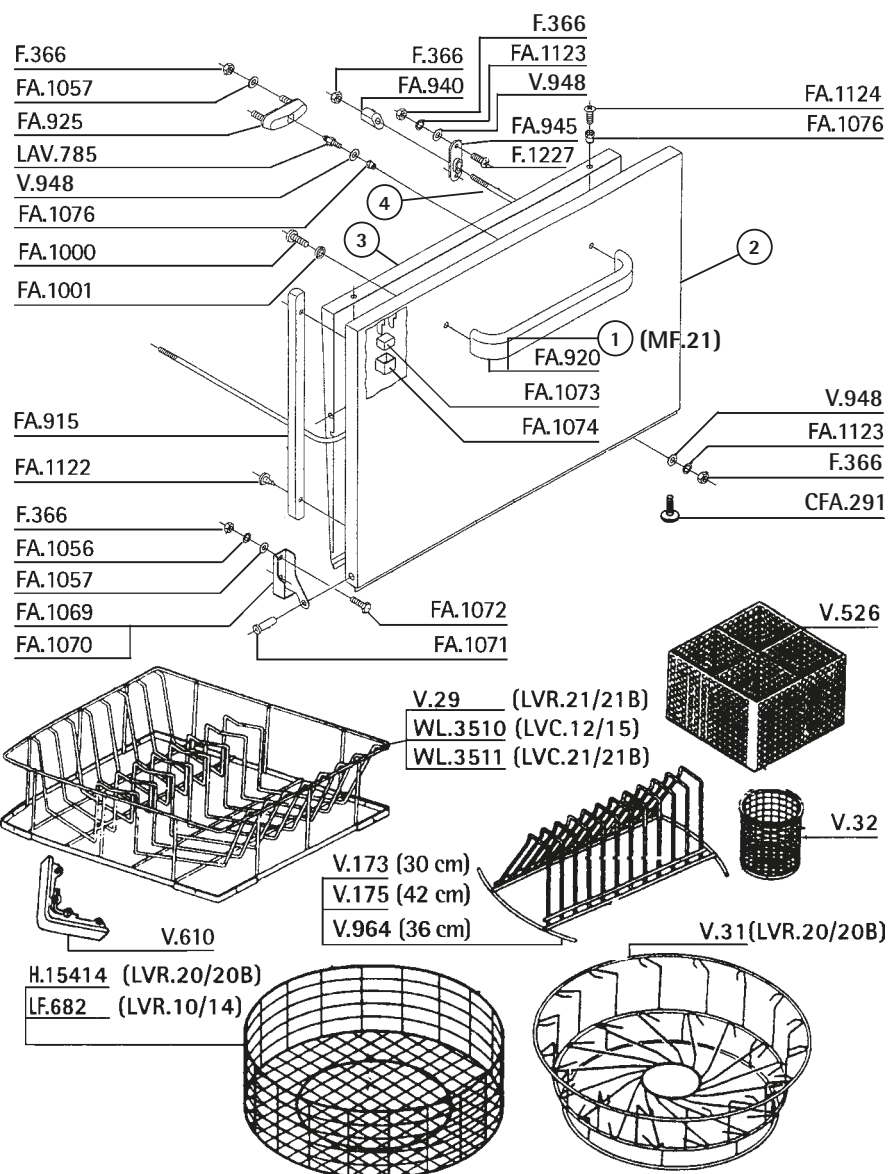
REF.	DESCRIPCIÓN	DESCRIPTION
FA.180	RACOR DE ACLARADO CTO.	CLEAR SPRAY FITTING
FA.265	DOSF.ABRILL.BAJA PRESION	LOW PRESSURE RINSE AID DOS.
FA.380	CALDERIN	BOILER
FA.390	EMPALME SUPERIOR MODERNO	MODERN UPPER UNION
FA.510	TUERCA ASTA ACLARADO	RINSE ARM NUT
FA.535	JUNTA DISTRIBUIDOR GOMA	DISTRIBUTOR RUBBER GASKET
FA.566	ASTA ACLARADO SUP.	UPPER RINSE ARM
FA1028	FILTRO ASPIRACI" N	ASPIRATION FILTER
FA1029	CONTRAPESO FILTRO	FILTER COUNTERWEIGHT
FA1031	ABRAZADERA INOX 8-16	8-16 INOX CLAMP
FA1050	JUNTA FIBRA	FIBRE GASKET
FA1051	ARANDELA	WASHER
FA1052	TORNILLO INOX	M10x20 mm INOX SCREW
FA1147	DEPOSITO ABRILLANTADOR	RINSE AID CONTAINER
G..173	ARANDELA	WASHER
LAV.85	T DE CONEXION	CONNECTION T
LF.705	TERMOSTATO 90° BULBO 3mt.	90° BULB 3m THERMOSTAT
V...5	TUBO GOMA 10X16 20 ATM	20ATM 10X17 RUBBER PIPE
V...62	ABRAZADERA 12-20	12-20 CLAMP
V.133	ELECTROVAL.2 VIA LAV.220V	WASH 2 WAYS 220V SOLENOID
V.415	TOMA LAVADORA 1,5M	QUALITY 1.5M.INLET W.FLEX
V.422	TORNILLO	SCREW
V.448	TUBO PRESOSTATO-METRO 4X6	4X6 PRE.SWITCH INLET PIPE
V.488	TUERCA M-8	M-8 NUT
V.546	JUNTA GOMA 3/4	WATER INLET RUBBER GASKET
V.815	TOMA LAVADORA 2 METROS	2 MT.INLET WATER FLEXIBLE
V.825	TOMA LAVADORA 1.5 "ECO"	"ECO"1.5M INLET WA.FLEXIB
V.848	TOMA LAVADORA 1.5M INOX	INOX 1.5M INLET WATER FL.
V.849	TOMA LAV.INOX 2MT.3/4X3/4	INOX 2MT.INLET WATER FLE.

Mandos FI-650R / FI-300R / FI-300B ■ FI-650R / FI-300R / FI-300B Handles

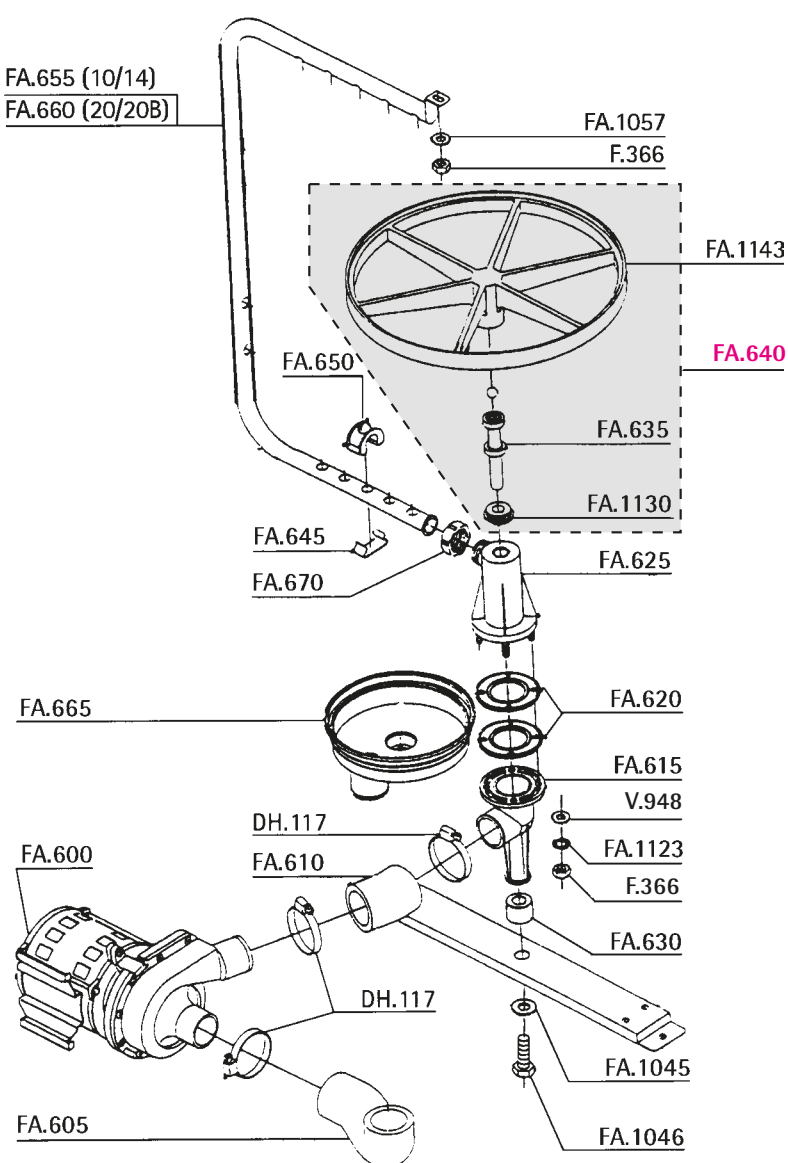


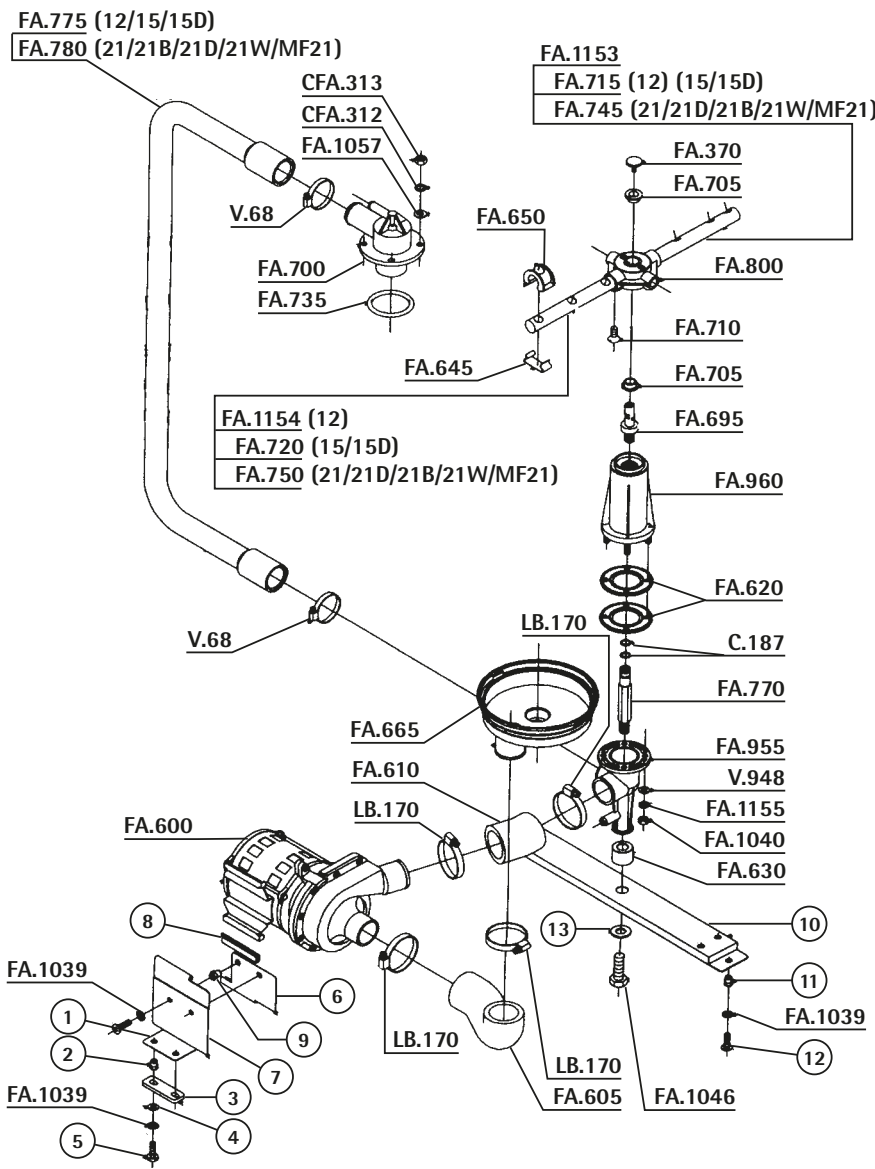
REF.	DESCRIPCIÓN	DESCRIPTION
FA.415		
V.55		
FA.5		
LB.13		
LF.700		
FA.979		
LF.705		
FA.415		
FA.405		
FA.465		
GRS.2		
LB.23		
FA.25		
FA.1032		
FA.400		
FA.1035		
FA.1036		
FA.1037		
FA.1038		
FA.405		
FA.40		
FA.1032		
FA.515		
G.360		
FA.1146		
FA.100		
FA.545		
FA.415		
FA.5		
FA.118		
LB..13		
LB..23		
LF.700		
LF.705		
MF.578		
V...55		
V.276		
V.277		
FA.845		
F.409		
V.277		
FA.1121		
LAV.118		
FA.567		
MF.578		
FA.460		
FA.25		
FA.1056		
F.366		
FFA.18		

REF.	DESCRIPCIÓN	DESCRIPTION
CFA291	PATA	FOOT
F.366	TUERCA INOX	INOX NUT
F.1227	TORNILLO	SCREW
FA.915	MARCO PUERTA	FRAME OF DOOR
FA.920	ASA PUERTA	DOOR HANDLE
FA.925	CIERRE PUERTA	CLOSING DOOR
FA.940	TENSOR PUERTA	DOOR TIGHTENER
FA.945	SOPORTE TENSOR	SUPPORT
FA1000	TORNILLO INOX	INOX SCREW
FA1001	ARANDELA NYLON	NYLON WASHER
FA1056	ARANDELA INOX	INOX WASHER
FA1057	ARANDELA INOX	INOX WASHER
FA1069	BISAGRA DERECHA	RIGHT HINGE
FA1070	BISAGRA IZQUIERDA	LEFT HINGE
FA1071	PASADOR	PIN
FA1072	TORNILLO INOX M6x16 mm	M6x16 mm INOX SCREW
FA1073	IMAN	MAGNET
FA1074	PROTECTOR IMAN	MAGNET PROTECTOR
FA1076	REMACHE	RIVET
FA1122	TORNILLO	SCREW
FA1123	ARANDELA	WASHER
FA1124	TORNILLO	SCREW
H15414	CESTO VASOS 40 CMT.	40 CM. GLASSES BASKET
LAV785	PIVOTE CIERRE PUERTA	CLOSING DOOR PIVOT
LF682	CESTO VASOS 36CMT	36 CM. GLASSES BASKET
V...29	CESTO CUADRO PLATOS 40x40	40X40 SQUARE PLATE BASKET
V...31	CESTO PLATOS 40 CMT	40 CM. DISH BASKET
V...32	CESTO CUCHARAS PLASTICO	PLASTIC SPOON BASKET
V...173	INSERTO PLATOS 30CMT.	30CMT DISHES INSERT
V...175	INSERTO PLATOS 42CMT.	42CMT DISHES INSERT
V...526	CESTO CUCHARAS CUADRADO	SQUARE SPOON BASKET
V...610	CANTONERA CESTO CUADRADO	BASKET SQUARE CORNERPIECE
V...948	ARANDELA INOX M5	M5 INOX WASHER
V...964	INSERTO PLATOS 36cm	36cm DISHES INSERT
WL3510	CESTO CUADRO VASOS 36x36	36X36 GLASSES BASKET
WL3511	CESTO CUADRO VASOS 40x40	40X40 GLASSES BASKET



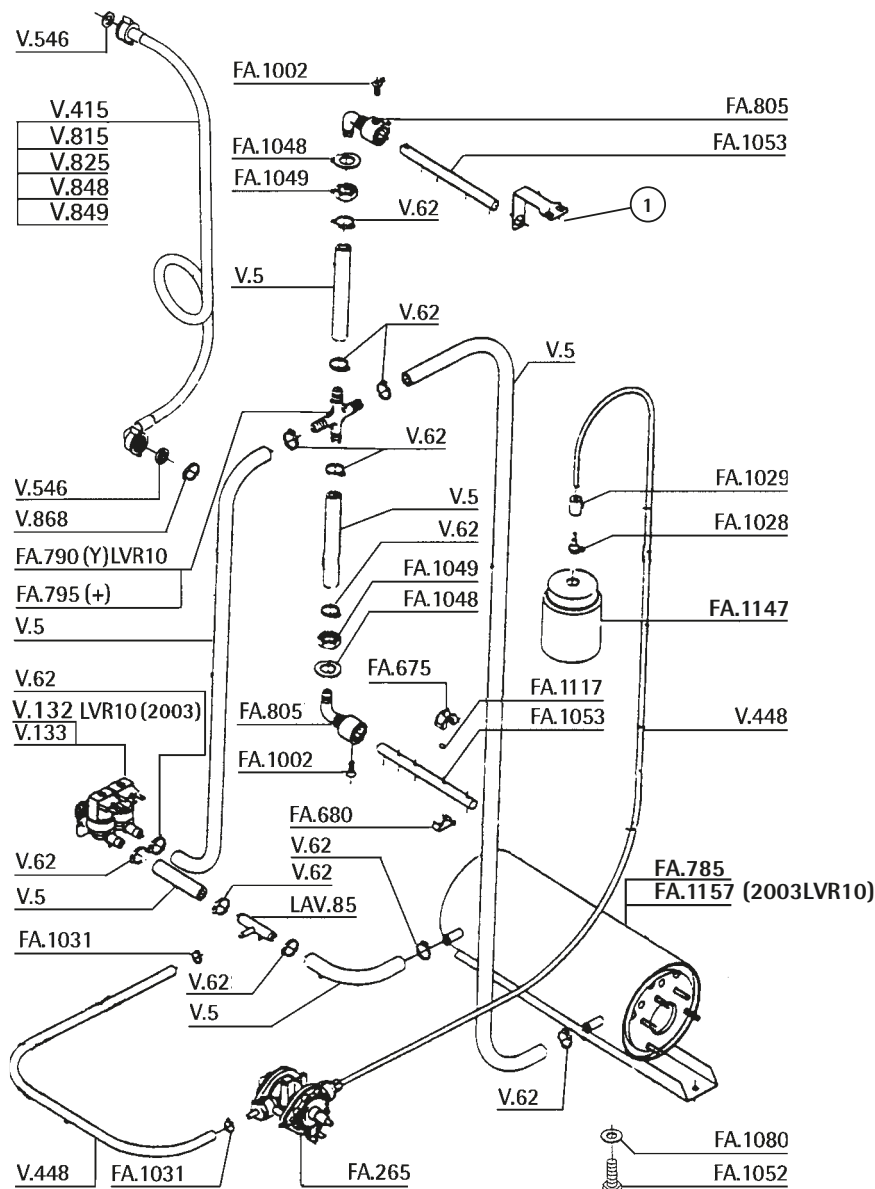
REF.	DESCRIPCIÓN	DESCRIPTION
DH.117	ABRAZADERA 46-70	46-70 CLAMP
F.366	TUERCA INOX	INOX NUT
FA.600	MOTOR BOMBA 0.35HP	0.35HP WASHING PUMP
FA.605	CODO ASPIRACION	SUCTION ELBOW
FA.610	CODO IMPULSION	IMPULSION ELBOW
FA.615	SOPORTE INFERIOR	LOWER SUPPORT
FA.620	JUNTA	GASKET
FA.625	SOPORTE VOLANTE	ROTATING PLATE SUPPORT
FA.630	CASQUILLO	CAP
FA.635	EJE VOLANTE	ROTATING PLATE ROD
FA.640	VOLANTE COMPLETO 29CM.	29CM.ROTATING PLATE
FA.645	ENGANCHE ROCIADOR LAVADO	WASHING SPRAY CLIP
FA.650	ROCIADOR LAVADO	WASHING SPRAY
FA.655	ARBOL LAVADO LVR-10/14	LVR-10/14 WASHING TREE
FA.660	ARBOL LAVADO LVR-20/20B	LVR 20/20B WASHING TREE
FA.665	CUBETA	TANK
FA.670	TUERCA LAVADO PLASTICO	WASHING NUT
FA1045	ARANDELA	WASHER
FA1046	TORNILLO	SCREW
FA1057	ARANDELA INOX	INOX WASHER
FA1123	ARANDELA	WASHER
FA1130	TAPON VOLANTE	ROTATING PLATE CAP
FA1143	VOLANTE LVR10/14/20/20B	LVR10/14/20/20B ROTATING PLATE
V...948	ARANDELA INOX M5	M5 INOX WASHER





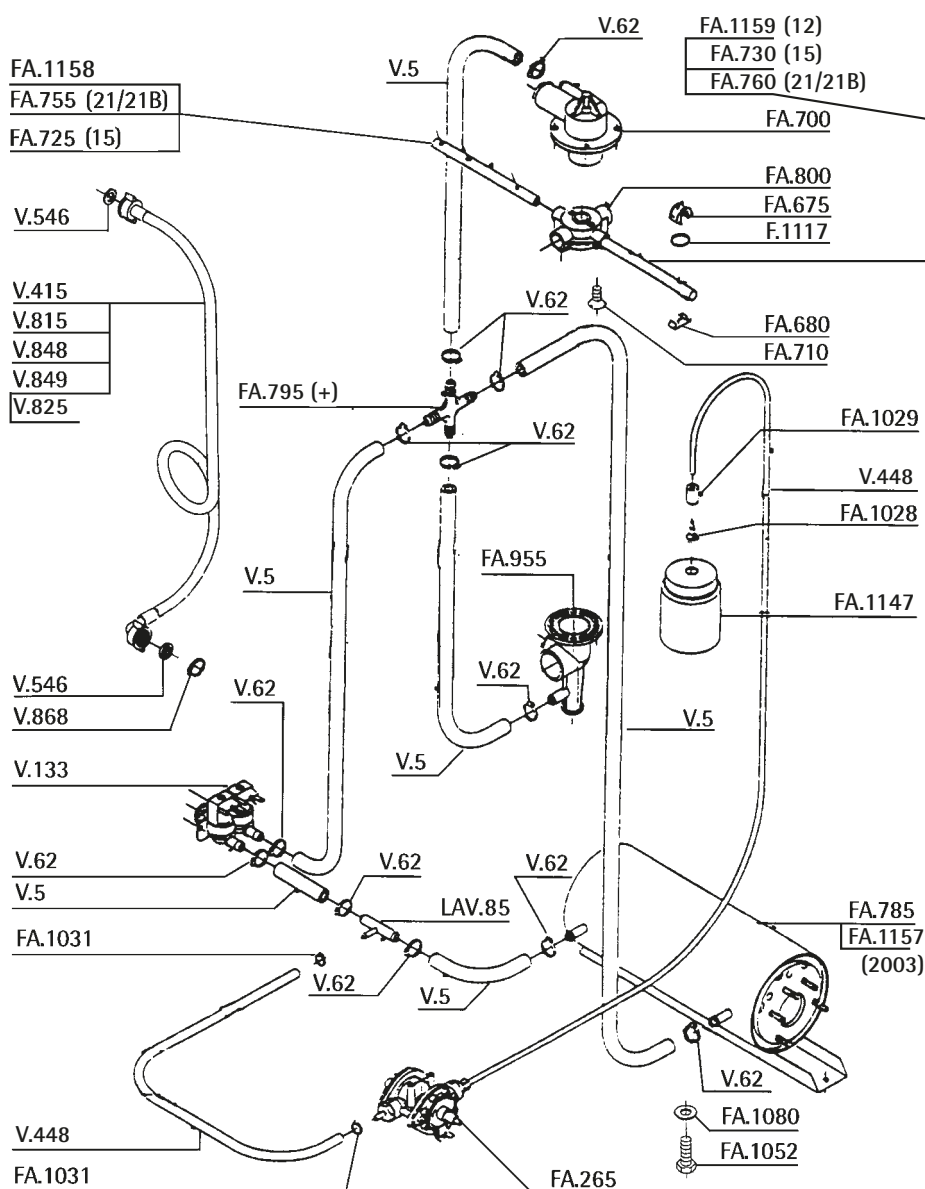
REF.	DESCRIPCIÓN	DESCRIPTION
C..187	TORICA TUBO VAPOR EPDM	STEAM PIPE RING
CFA312	ARANDELA	WASHER
CFA313	TUERCA	NUT
FA.370	TORNILLO FIJACION	FIXING SCREW
FA.600	MOTOR BOMBA 0.35HP	0.35HP WASHING PUMP
FA.605	CODO ASPIRACION	SUCTION ELBOW
FA.610	CODO IMPULSION	IMPULSION ELBOW
FA.620	JUNTA	GASKET
FA.630	CASQUILLO	CAP
FA.645	ENGANCHE ROCIADOR LAVADO	WASHING SPRAY CLIP
FA.650	ROCIADOR LAVADO	WASHING SPRAY
FA.665	CUBETA	TANK
FA.695	EJE	ROD
FA.700	SOPORTE DISTRIBUIDOR	DISTRIBUTOR SUPPORT
FA.705	CASQUILLO GIRANTE	GYRATORY CAP
FA.710	TORNILLO INOX	INOX SCREW
FA.715	ASTA LAVADO LVC 12/15	LVC 12/15 WASHING ARM
FA.720	ASTA LAVADO LVC 12/15	LVC 12/15 WASHING ARM
FA.735	TORICA GOMA NBR	RUBBER RING
FA.745	ASTA LAVADO LVC 21/21B	LVC 21/21B WASHING ARM
FA.750	ASTA LAVADO LVC 21/21B	LVC 21/21B WASHING ARM
FA.770	EMPALME	UNION
FA.775	ARBOL LAVADO LVC 12/15	LVC 12/15 WASHING TREE
FA.780	ARBOL LAVADO LVC 21/21B	LVC21/21B WASHING TREE
FA.800	CRUCETA	CROSSHEAD
FA.955	SOPORTE INFERIOR	LOWER SLEEVE
FA.960	SOPORTE DISTRIBUIDOR	DISTRIBUTOR SUPPORT
FA1039	ARANDELA	WASHER
FA1040	TUERCA	NUT
FA1046	TORNILLO	SCREW
FA1057	ARANDELA INOX	INOX WASHER
FA1153	ASTA ACLARADO LVC 12	LVC 12 RINSE ARM
FA1154	ASTA ACLARADO LVC 12	LVC 12 RINSE ARM
FA1155	ARANDELA MUELLE	SPRING WASHER
LB.170	ABRAZADERA 40-60	40-60 CLAMP
V..68	ABRAZADERA 32-50	35-50 CLAMP
V.948	ARANDELA INOX M5	M5 INOX WASHER

Calderín / Aclarado LVR-10 / 14 / 20 / 20B ■ LVR-10 / 14 / 20 / 20B Rinse / Boiler

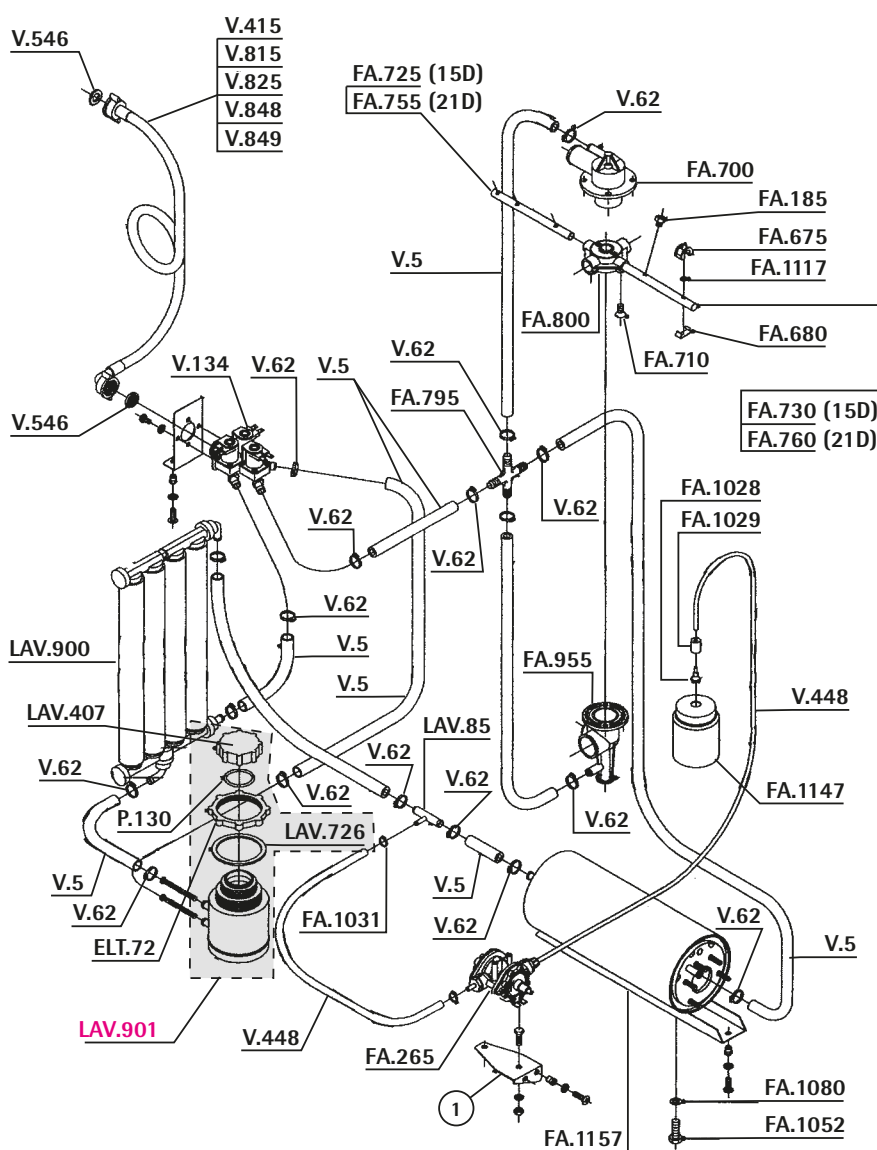


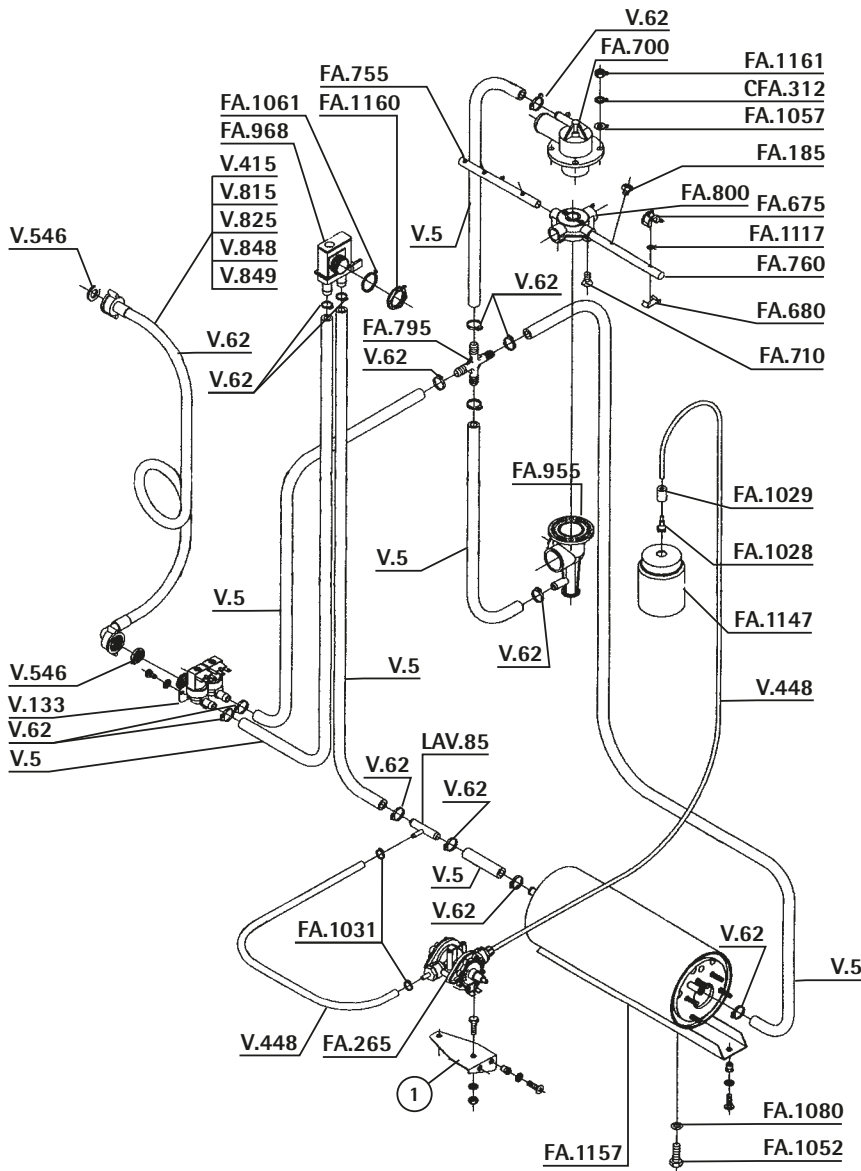
REF.	DESCRIPCIÓN	DESCRIPTION
FA.265	DOSF.ABRILL.BAJA PRESION	LOW PRESSURE RINSE AID DOS.
FA.675	ROCIADOR ACLARADO	RINSE SPRAY
FA.680	ENGANCHE ROCIADOR ACLARAD	CLEAR SPRAY CLIP
FA.785	CALDERIN	BOILER
FA.790	RACOR Y	Y FITTING
FA.795	RACOR CRUZ	CROSSHEAD FITTING
FA.805	PASAMURO	WALL INSERT
FA1002	TORNILLO INOX	INOX SCREW
FA1028	FILTRO ASPIRACION	ASPIRATION FILTER
FA1029	CONTRAPESO FILTRO	FILTER COUNTERWEIGHT
FA1031	ABRAZADERA INOX 8-16	8-16 INOX CLAMP
FA1048	JUNTA GOMA	RUBBER GASKET
FA1049	TUERCA PLASTICO	PLASTIC NUT
FA1052	TORNILLO INOX	M10x20 mm INOX SCREW
FA1053	ASTA ACLARADO	RINSE ARM
FA1080	TORICA	RING
FA1117	TAPA CIERRE PUERTA	DOOR CATCH CAP
FA1147	DEPOSITO ABRILLANTADOR	RINSE AID CONTAINER
FA1157	CALDERIN LVR10 2003	LVR 10 2003 BOILER
LAV.85	T DE CONEXION	CONNECTION T
V...5	TUBO GOMA 10X16 20 ATM	20ATM 10X17 RUBBER PIPE
V..62	ABRAZADERA 12-20	12-20 CLAMP
V..132	ELECTROVAL.1 VIA LAV.220V	WASH 1 WAY 220V SOLENOID
V..133	ELECTROVAL.2 VIA LAV.220V	WASH 2 WAYS 220V SOLENOID
V.415	TOMA LAVADORA 1,5M	QUALITY 1.5M.INLET W.FLEX
V.448	TUBO PRESOSTATO-METRO 4X6	4X6 PRE.SWITCH INLET PIPE
V.546	JUNTA GOMA 3/4	WATER INLET RUBBER GASKET
V.815	TOMA LAVADORA 2 METROS	2 MT.INLET WATER FLEXIBLE
V.825	TOMA LAVADORA 1.5 "ECO"	"ECO"1.5M INLET WA.FLEXIB
V.848	TOMA LAVADORA 1.5M INOX	INOX 1.5M INLET WATER FL.
V.849	TOMA LAV.INOX 2MT.3/4X3/4	INOX 2MT.INLET WATER FLE.
V.868	FILTRO TOMA LAVADORA 3/4	INLET WATER FILTER

REF.	DESCRIPCIÓN	DESCRIPTION
F.1117	TORICA GOMA EPDM	RING
FA.265	DOSF.ABRILL.BAJA PRESION	LOW PRESSURE RINSE AID DOS.
FA.675	ROCIADOR ACLARADO	RINSE SPRAY
FA.680	ENGANCHE ROCIADOR ACLARAD	CLEAR SPRAY CLIP
FA.700	SOPORTE DISTRIBUIDOR	DISTRIBUTOR SUPPORT
FA.710	TORNILLO INOX	INOX SCREW
FA.725	ASTA ACLARADO LVC 12/15	LVC 12/15 RINSE ARM
FA.730	ASTA ACLARADO LVC 12/15	LVC 12/15 RINSE ARM
FA.755	ASTA ACLARADO LVC	LVC 21/21B RINSE ARM
FA.760	ASTA ACLARADO LVC 21/21B	LVC 21/21B RINSE ARM
FA.785	CALDERIN	BOILER
FA.795	RACOR CRUZ	CROSSHEAD FITTING
FA.800	CRUCETA	CROSSHEAD
FA.955	SOPORTE INFERIOR	LOWER SLEEVE
FA1028	FILTRO ASPIRACI" N	ASPIRATION FILTER
FA1029	CONTRAPESO FILTRO	FILTER COUNTERWEIGHT
FA1031	ABRAZADERA INOX 8-16	8-16 INOX CLAMP
FA1052	TORNILLO INOX	M10x20 mm INOX SCREW
FA1080	TORICA	RING
FA1147	DEPOSITO ABRILLANTADOR	RINSE AID CONTAINER
FA1157	CALDERIN LVR10 2003	LVR 10 2003 BOILER
FA1158	ASTA ACLARADO IZQUIERDA	LEFT RINSE ARM
FA1159	ASTA ACLARADO DERECHA	RIGHT RINSE ARM
LAV.85	T DE CONEXION	CONNECTION T
V....5	TUBO GOMA 10X16 20 ATM	20ATM 10X17 RUBBER PIPE
V..62	ABRAZADERA 12-20	12-20 CLAMP
V..133	ELECTROVAL.2 VIA LAV.220V	WASH 2 WAYS 220V SOLENOID
V..415	TOMA LAVADORA 1,5M	QUALITY 1.5M.INLET W.FLEX
V..448	TUBO PRESOSTATO-METRO 4X6	4X6 PRE.SWITCH INLET PIPE
V..546	JUNTA GOMA 3/4	WATER INLET RUBBER GASKET
V..815	TOMA LAVADORA 2 METROS	2 MT.INLET WATER FLEXIBLE
V..825	TOMA LAVADORA 1.5 "ECO"	"ECO"1.5M INLET WA.FLEXIB
V..848	TOMA LAVADORA 1.5M INOX	INOX 1.5M INLET WATER FL.
V..849	TOMA LAV.INOX 2MT.3/4X3/4	INOX 2MT.INLET WATER FLE.
V..868	FILTRO TOMA LAVADORA 3/4	INLET WATER FILTER



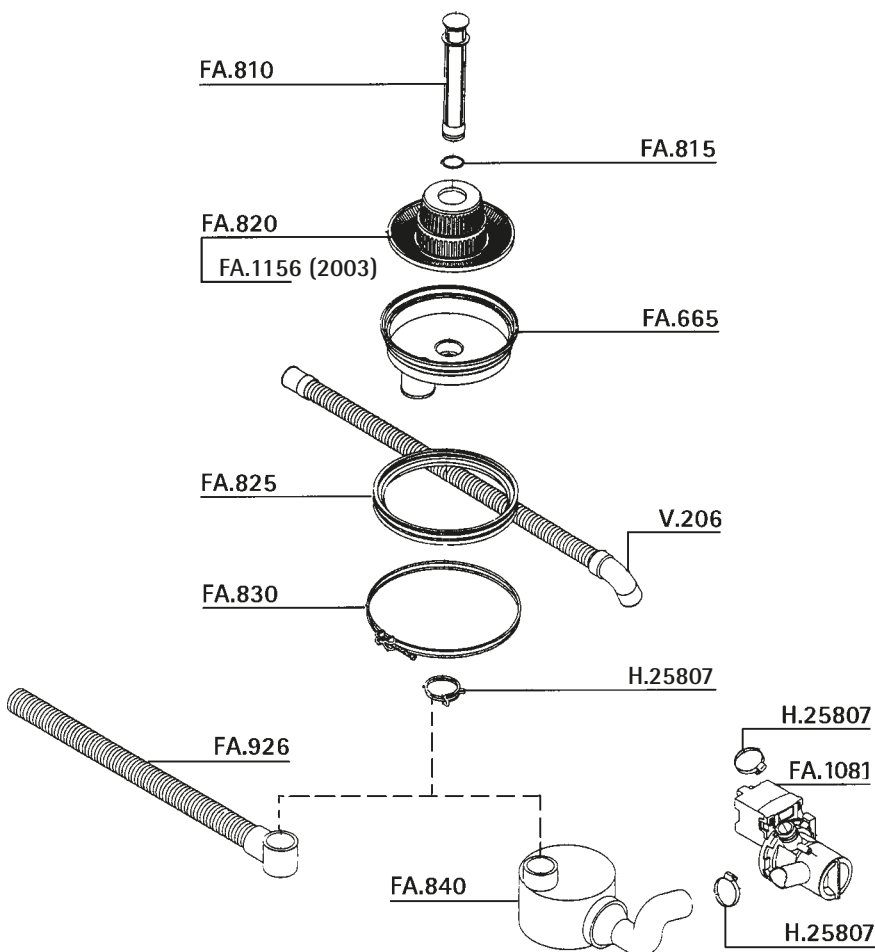
REF.	DESCRIPCIÓN	DESCRIPTION
ELT.72	RACOR DEPOSITO SAL	FITTING SALT CONTAINER
FA.185	ROCIADOR ACLARADO	RINSE SPRAY
FA.265	DOSF.ABRILL.BAJA PRESION	LOW PRESSURE RINSE AID DOS.
FA.675	ROCIADOR ACLARADO	RINSE SPRAY
FA.680	ENGANCHE ROCIADOR ACLARADO	CLEAR SPRAY CLIP
FA.700	SOPORTE DISTRIBUIDOR	DISTRIBUTOR SUPPORT
FA.710	TORNILLO INOX	INOX SCREW
FA.725	ASTA ACLARADO LVC 12/15	LVC 12/15 RINSE ARM
FA.730	ASTA ACLARADO LVC 12/15	LVC 12/15 RINSE ARM
FA.755	ASTA ACLARADO LVC	LVC 21/21B RINSE ARM
FA.760	ASTA ACLARADO LVC 21/21B	LVC 21/21B RINSE ARM
FA.795	RACOR CRUZ	CROSSHEAD FITTING
FA.800	CRUCETA	CROSSHEAD
FA.955	SOPORTE INFERIOR	LOWER SLEEVE
FA1028	FILTRO ASPIRACION	ASPIRATION FILTER
FA1029	CONTRAPESO FILTRO	FILTER COUNTERWEIGHT
FA1031	ABRAZADERA INOX 8-16	8-16 INOX CLAMP
FA1052	TORNILLO INOX	M10x20 mm INOX SCREW
FA1080	TORICA	RING
FA1117	TAPA CIERRE PUERTA	DOOR CATCH CAP
FA1147	DEPOSITO ABRILLANTADOR	RINSE AID CONTAINER
FA1157	CALDERIN LVR10 2003	LVR 10 2003 BOILER
LAV.85	T DE CONEXION	CONNECTION T
LAV.407	TAPON DEPOSITO SAL	SALT TANK CAP
LAV.726	JUNTA GOMA BOTELLA SAL	BOTTLE SALT RUBBER GASKET
LAV.900	DEPURADOR LAVATAZAS	WASHING CUP PURIFIER
LAV.901	DEPOSITO SAL COMPLETO	SALT CONTAINER
P.130	TORICA EPDM	RING
V....5	TUBO GOMA 10X16 20 ATM	20ATM 10X17 RUBBER PIPE
V..62	ABRAZADERA 12-20	12-20 CLAMP
V..134	ELECTROVAL.3VIA LAV.220V	WASH 3 WAYS 220V SOLENOID
V..415	TOMA LAVADORA 1,5M	QUALITY 1.5M.INLET W.FLEX
V..448	TUBO PRESOSTATO-METRO 4X6	4X6 PRE.SWITCH INLET PIPE
V..546	JUNTA GOMA 3/4	WATER INLET RUBBER GASKET
V..815	TOMA LAVADORA 2 METROS	2 MT.INLET WATER FLEXIBLE
V..825	TOMA LAVADORA 1.5 "ECO"	"ECO"1.5M INLET WA.FLEXIB
V..848	TOMA LAVADORA 1.5M INOX	INOX 1.5M INLET WATER FL.
V..849	TOMA LAV.INOX 2MT.3/4X3/4	INOX 2MT.INLET WATER FLE.





REF.	DESCRIPCIÓN	DESCRIPTION
CFA312	ARANDELA	WASHER
FA.185	ROCIADOR ACLARADO	RINSE SPRAY
FA.265	DOSF.ABRILL.BAJA PRESION	LOW PRESSURE RINSE AID DOS.
FA.675	ROCIADOR ACLARADO	RINSE SPRAY
FA.680	ENGANCHE ROCIADOR ACLARAD	CLEAR SPRAY CLIP
FA.700	SOPORTE DISTRIBUIDOR	DISTRIBUTOR SUPPORT
FA.710	TORNILLO INOX	INOX SCREW
FA.755	ASTA ACLARADO LVC	LVC 21/21B RINSE ARM
FA.760	ASTA ACLARADO LVC 21/21B	LVC 21/21B RINSE ARM
FA.795	RACOR CRUZ	CROSSHEAD FITTING
FA.800	CRUCETA	CROSSHEAD
FA.955	SOPORTE INFERIOR	LOWER SLEEVE
FA.968	VALVULA ANTIRETORNO	ANTI-RETURN VALVE
FA1028	FILTRO ASPIRACI" N	ASPIRATION FILTER
FA1029	CONTRAPESO FILTRO	FILTER COUNTERWEIGHT
FA1031	ABRAZADERA INOX 8-16	8-16 INOX CLAMP
FA1052	TORNILLO INOX	M10x20 mm INOX SCREW
FA1061	JUNTA GOMA	RUBBER GASKET
FA1080	TORICA	RING
FA1117	TAPA CIERRE PUERTA	DOOR CATCH CAP
FA1147	DEPOSITO ABRILLANTADOR	RINSE AID CONTAINER
FA1157	CALDERIN LVR10 2003	LVR 10 2003 BOILER
FA1160	TUERCA	NUT
FA1161	TUERCA M-6	M-6 NUT
LAV.85	T DE CONEXION	CONNECTION T
V....5	TUBO GOMA 10X16 20 ATM	20ATM 10X17 RUBBER PIPE
V..62	ABRAZADERA 12-20	12-20 CLAMP
V.133	ELECTROVAL.2 VIA LAV.220V	WASH 2 WAYS 220V SOLENOID
V.415	TOMA LAVADORA 1,5M	QUALITY 1.5M.INLET W.FLEX
V.448	TUBO PRESOSTATO-METRO 4X6	4X6 PRE.SWITCH INLET PIPE
V.546	JUNTA GOMA 3/4	WATER INLET RUBBER GASKET
V.815	TOMA LAVADORA 2 METROS	2 MT.INLET WATER FLEXIBLE
V.825	TOMA LAVADORA 1.5 "ECO"	"ECO"1.5M INLET WA.FLEXIB
V.848	TOMA LAVADORA 1.5M INOX	INOX 1.5M INLET WATER FL.
V.849	TOMA LAV.INOX 2MT.3/4X3/4	INOX 2MT.INLET WATER FLE.

Desagüe LVR / LVC ■ LVR / LVC Drain



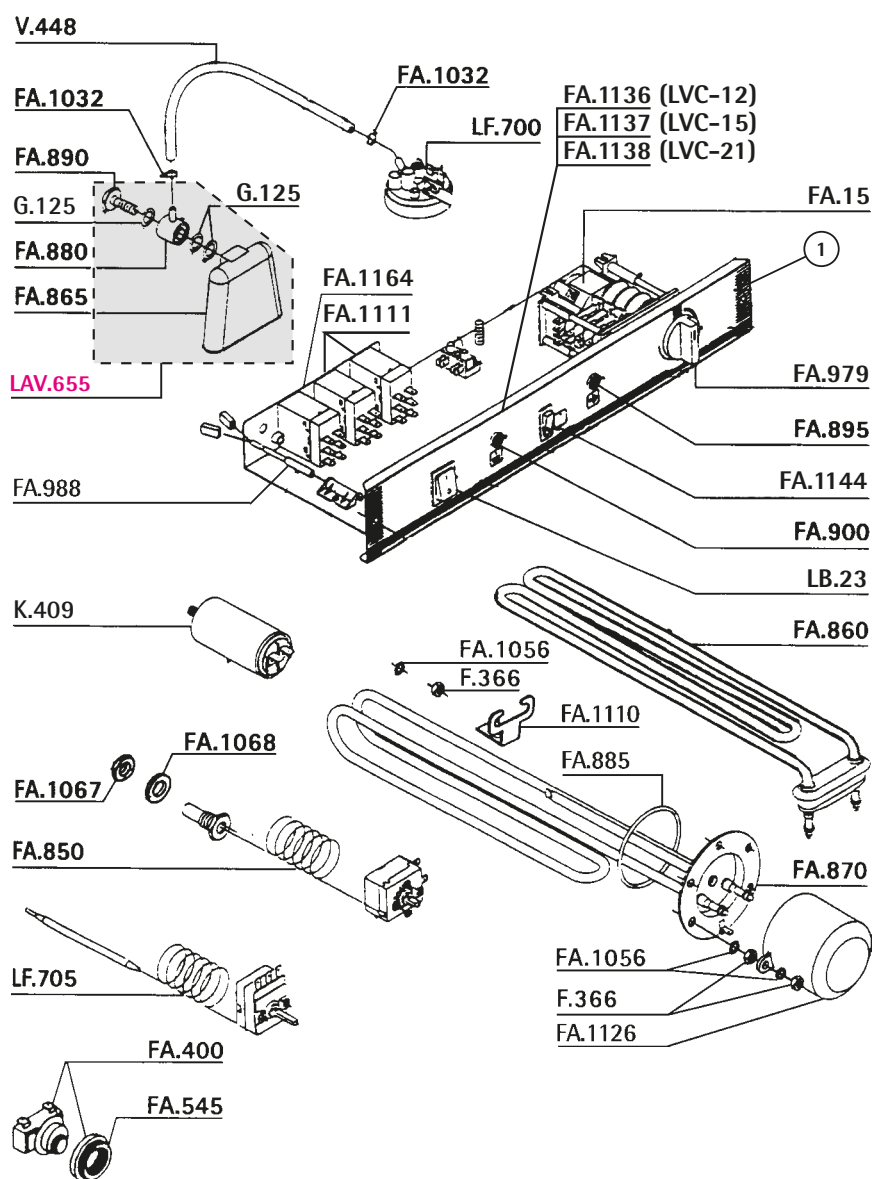
REF.	DESCRIPCIÓN	DESCRIPTION
FA.665	CUBETA	TANK
FA.810	SOBRENIVEL	OVERFLOW
FA.815	TORICA GOMA EPDM	RUBBER RING
FA.820	FILTRO	FILTER
FA.825	JUNTA CUBETA GOMA	TANK RUBBER GASKET
FA.830	ABRAZADERA CUBETA	TANK CLAMP
FA.840	ACUMULADOR	ACCUMULATOR
FA.926	T.DES.L.200cm D.30mm CODO 45mm	L.200cm D.30mm ELBOW 45mm O.P
FA1081	BOMBA DESAGÜE	OUTLET PUMP
FA1156	FILTRO	FILTER
H25807	ABRAZADERA 25-40	25-40 CLAMP
V..206	TUBO DESAGÜE CON CODO	WITH ELBOW OUTLET PIPE

Desagüe Gravedad
Gravity Outlet
LVR 10 - LVC 12 - LVC 15 -
LVC 15D - LVC 21 - LVC 21D

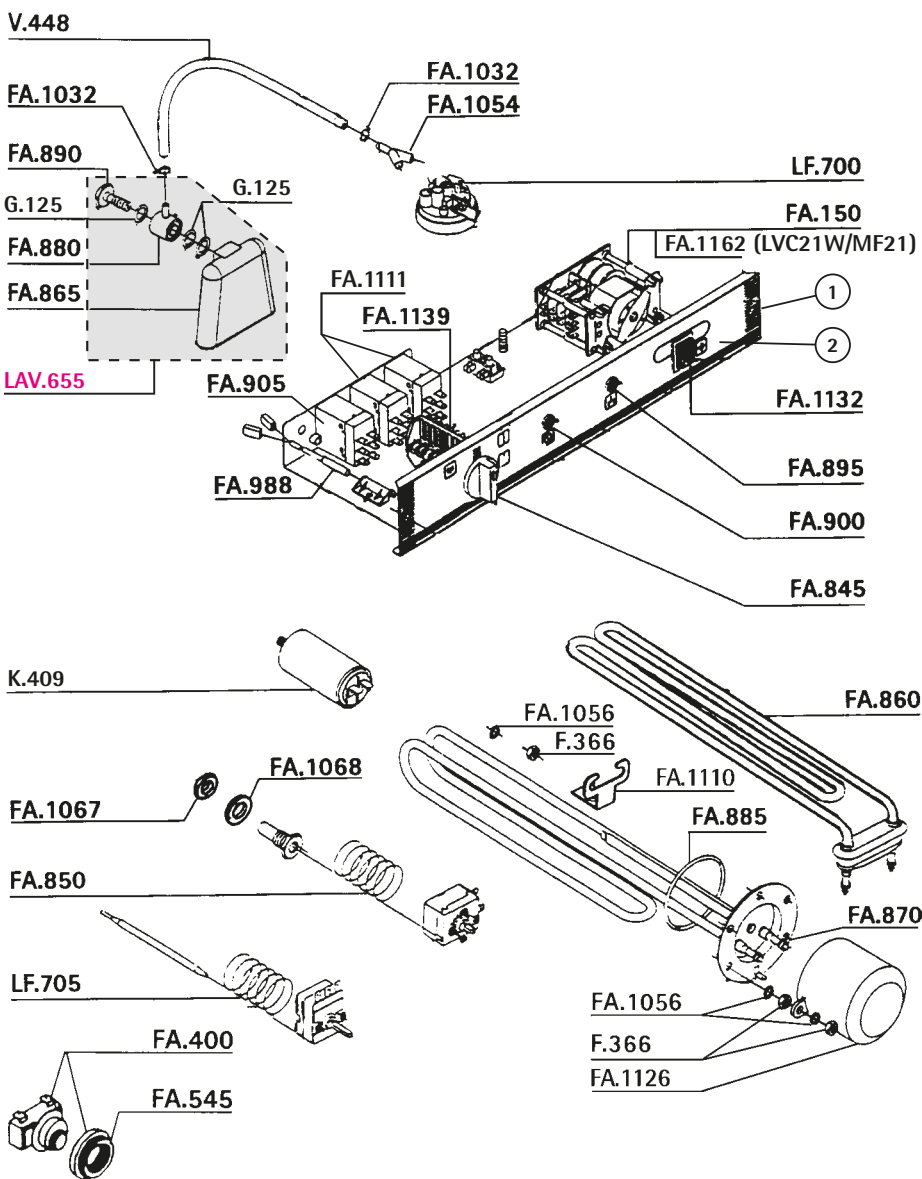
Desagüe Bomba
Pump Outlet
LVC 21B - LVC 21W - MF 21

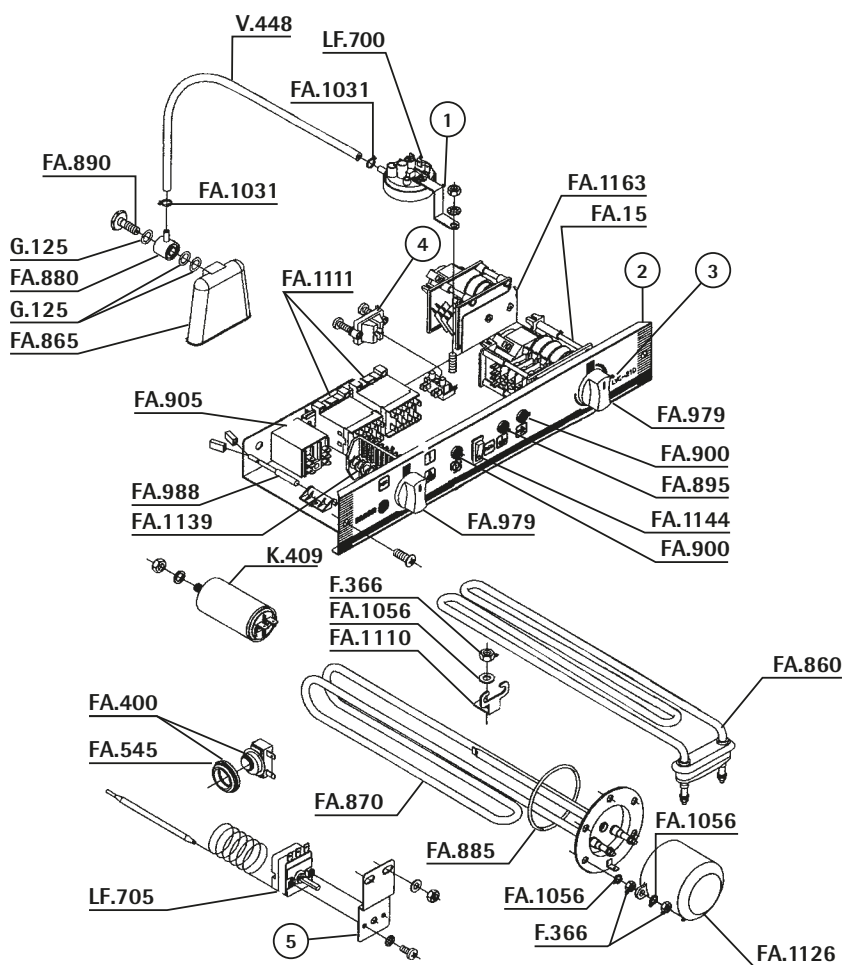


REF.	DESCRIPCIÓN	DESCRIPTION
F..366	TUERCA INOX	INOX NUT
FA..15	PROGRAM.3MICROS 120S EJE	3 TOOTH 120S ROD TIMER
FA.400	TERMOSTATO CON JUNTA	WITH GASKET THERMOSTAT
FA.545	JUNTA TERMOSTATO GOMA	THERMOSTAT RUBBER GASKET
FA.850	TERMOSTATO ROSCADO 60°	60° SCREW THERMOSTAT
FA.860	RESISTENCIA CUBA 2000W 230V	2000W 230V TANK RESISTANCE
FA.865	CAMARA PRESOSTATICA	PRESSURE SWITCH CHAMBER
FA.870	RESISTENC.CALDERIN 2400W 230V	2400W 230V BOILER RESISTANCE
FA.880	EMPALME PRESOSTATO	PRESSURE SWITH UNION
FA.885	TORICA GOMA NBR	RUBBER RING
FA.890	TORNILLO ESPECIAL LATON	SCREW
FA.895	PILOTO VERDE 12mm 220V	12mm GREEN WARNING LAMP
FA.900	PILOTO AMBAR 12mm 220V	12mm 220V YELLOW LAMP
FA.979	MANDO PROGRAMADOR	HANDLE
FA.988	INTERRUPTOR MAGNETICO	MAGNET SWITCH
FA1032	BRIDA	CLASP
FA1056	ARANDELA INOX	INOX WASHER
FA1067	TUERCA INOX	INOX NUT
FA1068	JUNTA GOMA	RUBBER GASKET
FA1110	SOPORTE RESISTENCIA	SUPPORT RESISTANCE
FA1111	CONTACTOR 220V	220V RELAY
FA1126	PROTECTOR RESISTENCIA	RESISTANCE PROTECTOR
FA1136	ADHESIVO FRONTAL LVC-12	LVC-12 FRONT STICKER
FA1137	ADHESIVO FRONTAL LVC-15	LVC-15 FRONT STICKER
FA1138	ADHESIVO FRONTAL LVC-21	LVC-21 FRONT STICKER
FA1144	PULSADOR ACLARADO	RINSE PUSH-BUTTON
FA1164	RELE 16A	16A RELAY
G..125	TORICA GOMA EPDM	RUBBER RING
K..409	CONDENSADOR 6MF	220V 6MF CONDENSER
LAV655	CAMPANA PRESOSTATO	PRESSURE SWITCH BELL
LB..23	INTERRUPTOR 4FAXTON VERDE	GREEN 4 FAXTON SWITCH
LF..700	PRESOSTATO SAL/HOR.80/50	50/80 HORIZ.PRESS SWITCH
LF.705	TERMOSTATO 90° BULBO 3mt.	90° BULB 3m THERMOSTAT
V..448	TUBO PRESOSTATO-METRO 4X6	4X6 PRE.SWITCH INLET PIPE



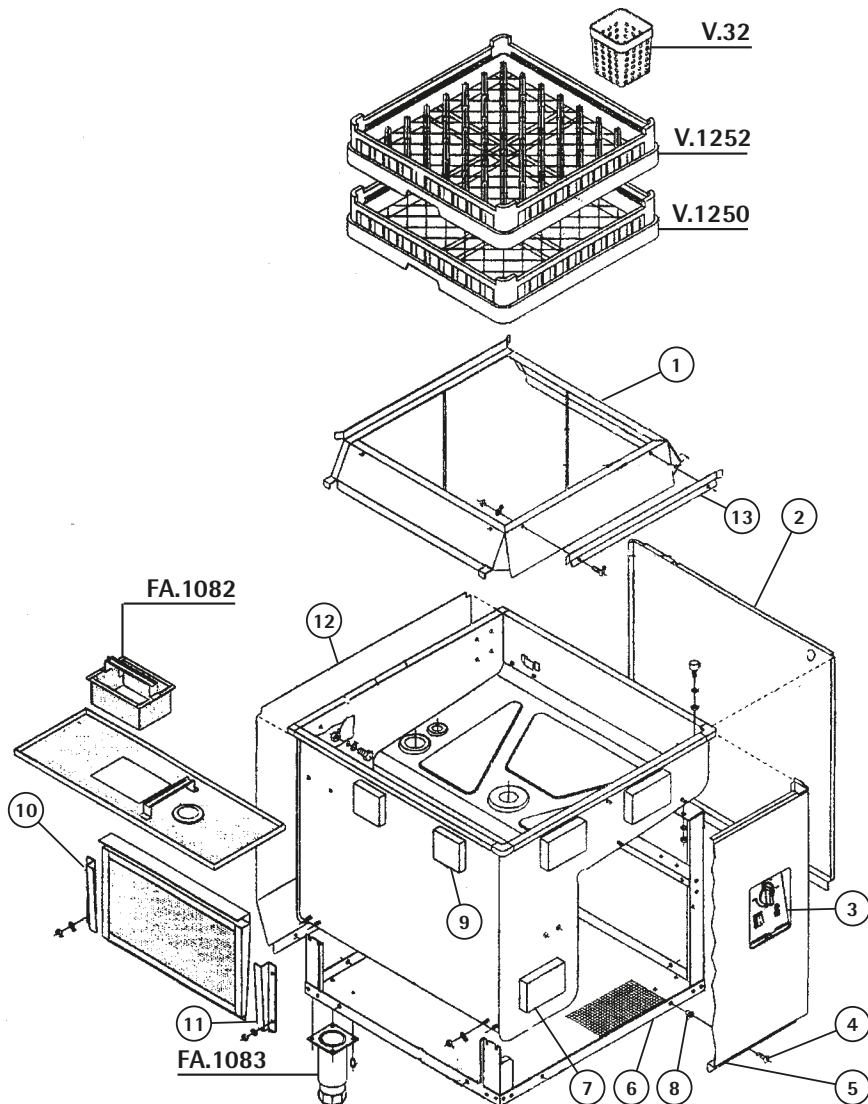
REF.	DESCRIPCIÓN	DESCRIPTION
F..366	TUERCA INOX	INOX NUT
FA.150	PROGRAMADOR 3 MICROS 120S	3 TOOTH 120S TIMER
FA.400	TERMOSTATO CON JUNTA	WITH GASKET THERMOSTAT
FA.545	JUNTA TERMOSTATO GOMA	THERMOSTAT RUBBER GASKET
FA.845	POMO PROGRAMADOR	TIMER HANDLE
FA.850	TERMOSTATO ROSCADO 60°	60° SCREW THERMOSTAT
FA.860	RESISTENCIA CUBA 2000W 230V	2000W 230V TANK RESISTANCE
FA.865	CAMARA PRESOSTATICA	PRESSURE SWITCH CHAMBER
FA.870	RESISTENC.CALDERIN 2400W 230V	2400W 230V BOILER RESISTANCE
FA.880	EMPALME PRESOSTATO	PRESSURE SWITH UNION
FA.885	TORICA GOMA NBR	RUBBER RING
FA.890	TORNILLO ESPECIAL LATON	SCREW
FA.895	PILOTO VERDE 12mm 220V	12mm GREEN WARNING LAMP
FA.900	PILOTO AMBAR 12mm 220V	12mm 220V YELLOW LAMP
FA.905	RELE	CONTACTOR
FA.988	INTERRUPTOR MAGNETICO	MAGNET SWITCH
FA1032	BRIDA	CLASP
FA1054	RACOR Y	Y FITTING
FA1056	ARANDELA INOX	INOX WASHER
FA1067	TUERCA INOX	INOX NUT
FA1068	JUNTA GOMA	RUBBER GASKET
FA1110	SOPORTE RESISTENCIA	SUPPORT RESISTANCE
FA1111	CONTACTOR 220V	220V RELAY
FA1126	PROTECTOR RESISTENCIA	RESISTANCE PROTECTOR
FA1132	PULSADOR LUMINOSO	LUMINOUS PUSH SWITCH
FA1139	CONMUTADOR DE FUNCIONES	SWITCH
FA1162	PROGRAMADOR CICLO 2' 60HZ	TIMER CICLO 2' 60 HZ
G..125	TORICA GOMA EPDM	RUBBER RING
K..409	CONDENSADOR 6MF	220V 6MF CONDENSER
LAV655	CAMPANA PRESOSTATO	PRESSURE SWITCH BELL
LF.700	PRESOSTATO SAL/HOR.80/50	50/80 HORIZ.PRESS SWITCH
LF.705	TERMOSTATO 90° BULBO 3mt.	90° BULB 3m THERMOSTAT
V..448	TUBO PRESOSTATO-METRO 4X6	4X6 PRE.SWITCH INLET PIPE





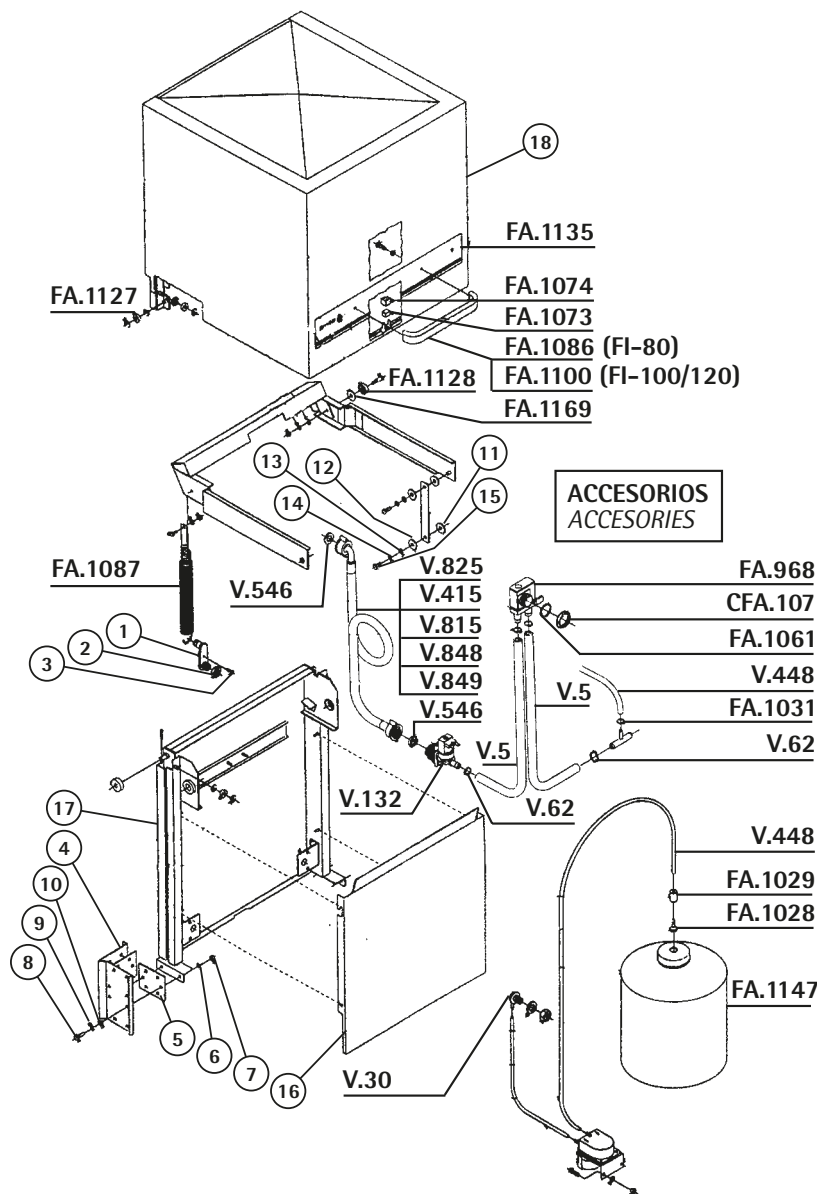
REF.	DESCRIPCIÓN	DESCRIPTION
F.366	TUERCA INOX	INOX NUT
FA..15	PROGRAM.3MICROS 120S EJE	3 TOOTH 120S ROD TIMER
FA.400	TERMOSTATO CON JUNTA	WITH GASKET THERMOSTAT
FA.545	JUNTA TERMOSTATO GOMA	THERMOSTAT RUBBER GASKET
FA.860	RESISTENCIA CUBA 2000W 230V	2000W 230V TANK RESISTANCE
FA.865	CAMARA PRESOSTATICA	PRESSURE SWITCH CHAMBER
FA.870	RESISTENC.CALDERIN 2400W 230V	2400W 230V BOILER RESISTANCE
FA.880	EMPALME PRESOSTATO	PRESSURE SWITH UNION
FA.885	TORICA GOMA NBR	RUBBER RING
FA.890	TORNILLO ESPECIAL LATON	SCREW
FA.895	PILOTO VERDE 12mm 220V	12mm GREEN WARNING LAMP
FA.900	PILOTO AMBAR 12mm 220V	12mm 220V YELLOW LAMP
FA.905	RELE	CONTACTOR
FA.979	MANDO PROGRAMADOR	HANDLE
FA.988	INTERRUPTOR MAGNETICO	MAGNET SWITCH
FA1031	ABRAZADERA INOX 8-16	8-16 INOX CLAMP
FA1056	ARANDELA INOX	INOX WASHER
FA1110	SOPORTE RESISTENCIA	SUPPORT RESISTENCIA
FA1111	CONTACTOR 220V	220V RELAY
FA1126	PROTECTOR RESISTENCIA	RESISTANCE PROTECTOR
FA1139	CONMUTADOR DE FUNCIONES	SWITCH
FA1144	PULSADOR ACLARADO	RINSE PUSH-BUTTON
FA1163	PROGRAMADOR REGENERACION	REGENERATION TIMER
G..125	TORICA GOMA EPDM	RUBBER RING
K..409	CONDENSADOR 6MF	220V 6MF CONDENSER
LF.700	PRESOSTATO SAL/HOR.80/50	50/80 HORIZ.PRESS SWITCH
LF.705	TERMOSTATO 90° BULBO 3mt.	90° BULB 3m THERMOSTAT
V.448	TUBO PRESOSTATO-METRO 4X6	4X6 PRE.SWITCH INLET PIPE

Carrocería / Cestos FI-80 / 100 / 120 ■ FI-80 / 100 / 120 Basket / Bodywork



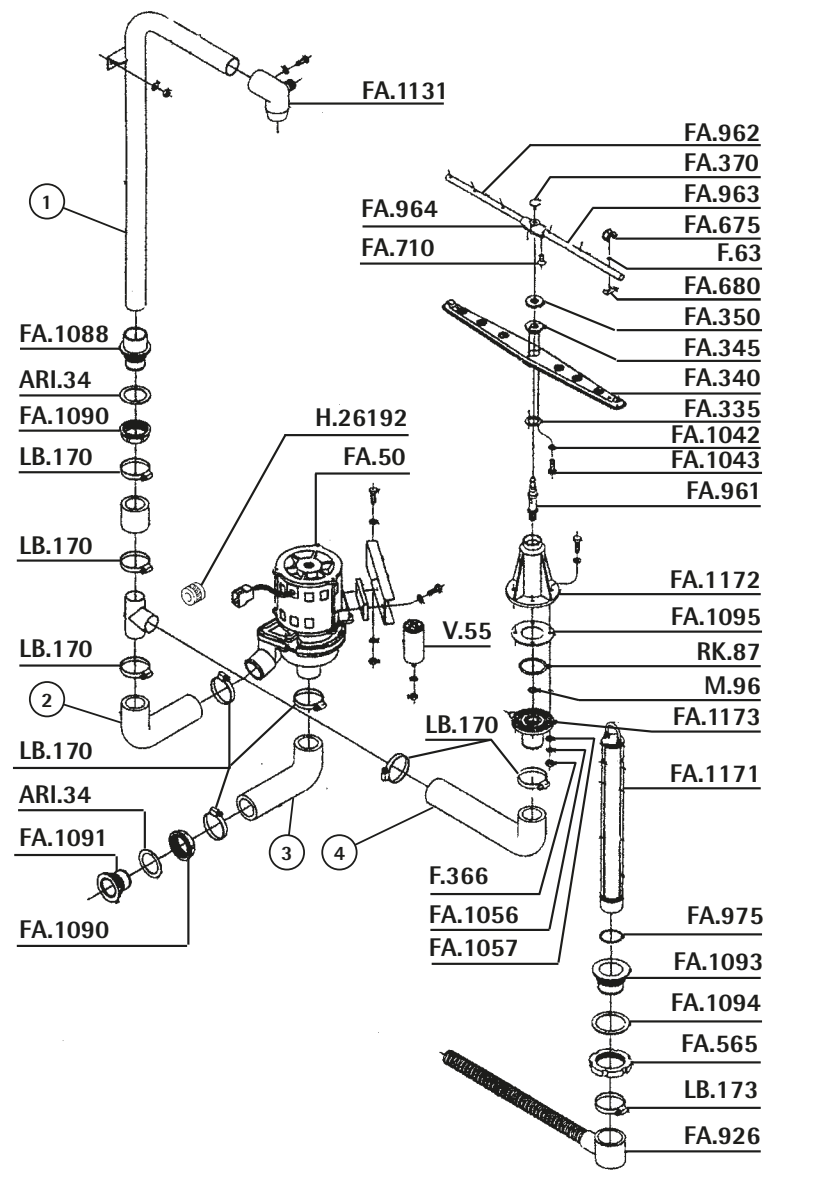
REF.	DESCRIPCIÓN	DESCRIPTION
FA1082	RECOGEDOR DESPERDICIOS	WASTE FOOD COLLECTOR
FA1083	PATA REGULABLE	ADJUSTABLE LEG
V...32	CESTO CUCHARAS PLASTICO	PLASTIC SPOON BASKET
V.1250	CESTA VASOS 50X50	50X50 GLASSES RACK
V.1252	CEST.PLATOS-BANDEJA 50X50	PLATES AND TRAYS RACK

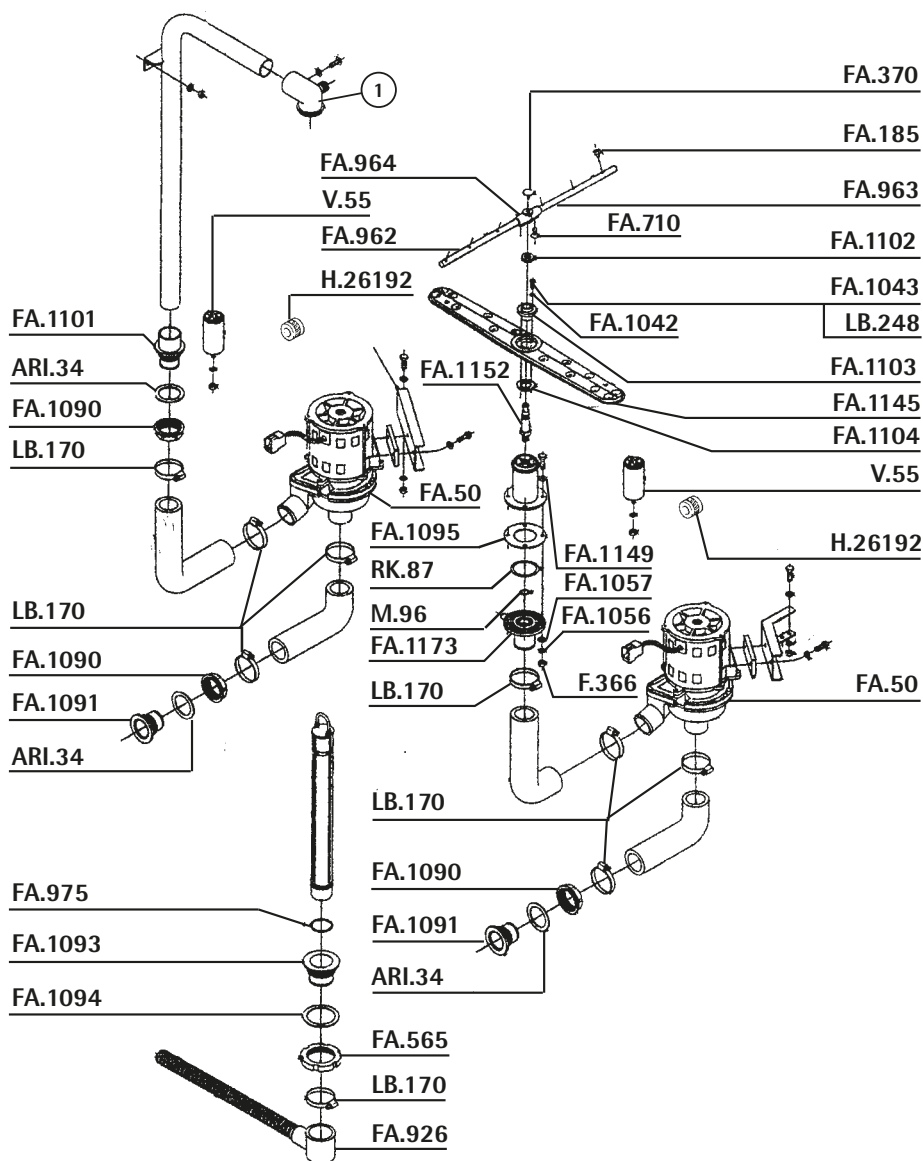
REF.	DESCRIPCIÓN	DESCRIPTION
CFA107	TUERCA	NUT
FA.968	VALVULA ANTIRETORNO	ANTI-RETURN VALVE
FA1028	FILTRO ASPIRACION	ASPIRATION FILTER
FA1029	CONTRAPESO FILTRO	FILTER COUNTERWEIGHT
FA1031	ABRAZADERA INOX 8-16	8-16 INOX CLAMP
FA1061	JUNTA GOMA	RUBBER GASKET
FA1073	IMAN	MAGNET
FA1074	PROTECTOR IMAN	MAGNET PROTECTOR
FA1086	ASA CAPO FI.80	FI.80 HANDLE HOOD
FA1087	MUELLE	SPRING
FA1100	ASA CAPO FI.100/120	FI.100/120 HANDLE HOOD
FA1127	CASQUILLO	CAP
FA1128	RODAMIENTO	ROLLER
FA1135	ADHESIVO FRONTAL FI-80	FI-80 FRONT STICKER
FA1147	DEPOSITO ABRILLANTADOR	RINSE AID CONTAINER
FA1169	ARANDELA	WASHER
V...5	TUBO GOMA 10X16 20 ATM	20ATM 10X17 RUBBER PIPE
V...30	RACOR ENTRADA JABON	INLET SOAP FITTING
V...62	ABRAZADERA 12-20	12-20 CLAMP
V.132	ELECTROVALVIA VIA LAV.220V	WASH 1 WAY 220V SOLENOID
V.415	TOMA LAVADORA 1,5M	QUALITY 1.5M.INLET W.FLEX
V.448	TUBO PRESOSTATO-METRO 4X6	4X6 PRE.SWITCH INLET PIPE
V.546	JUNTA GOMA 3/4	WATER INLET RUBBER GASKET
V.815	TOMA LAVADORA 2 METROS	2 MT.INLET WATER FLEXIBLE
V.825	TOMA LAVADORA 1.5 "ECO"	"ECO"1.5M INLET WA.FLEXIB
V.848	TOMA LAVADORA 1.5M INOX	INOX 1.5M INLET WATER FL.
V.849	TOMA LAV.INOX 2MT.3/4X3/4	INOX 2MT.INLET WATER FLE.



Lavado / Aclarado FI-80 ■ FI-80 Rinse / Wash

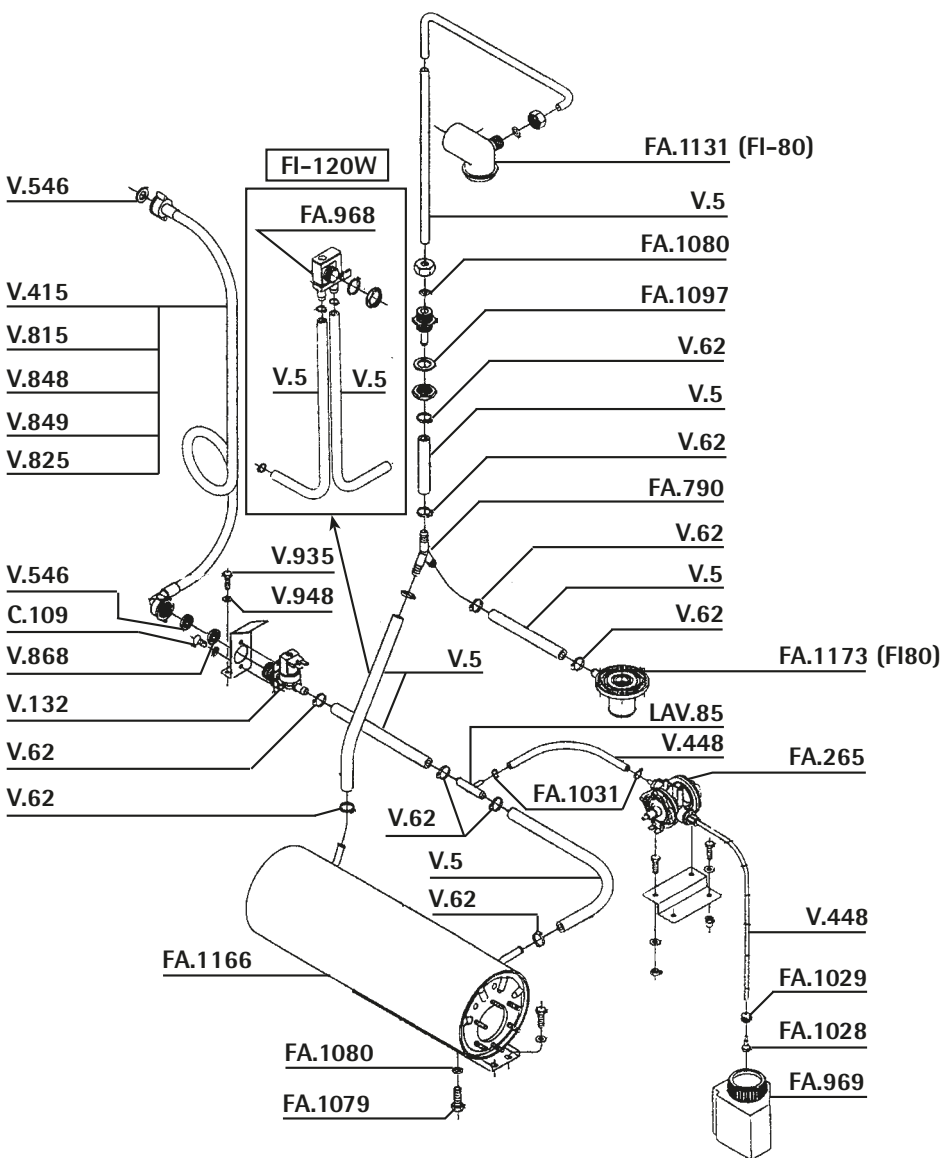
REF.	DESCRIPCIÓN	DESCRIPTION
ARI.34	JUNTA PLANA GOMA	FLAT RUBBER GASKET
F...63	TORICA GOMA EPDM	RING
F.366	TUERCA INOX	INOX NUT
FA...50	MOTO BOMBA 0.8 HP	0.8HP WASHING PUMP
FA.335	ARANDELA FRICCION	FRICITION WASHER
FA.340	GIRATORIO LAVADO	WASHING GYRATORY
FA.345	ENGANCHE GIRATORIO	REVOLVING ARM CLIP
FA.350	TUERCA GIRATORIO	REVOLVING ARM NUT
FA.370	TORNILLO FIJACION	FIXING SCREW
FA.565	TUERCA PLASTICO	PLASTIC NUT
FA.675	ROCIADOR ACLARADO	RINSE SPRAY
FA.680	ENGANCHE ROCIADOR ACLARAD	CLEAR SPRAY CLIP
FA.710	TORNILLO INOX	INOX SCREW
FA.926	T.DES.L.200cm D.30mm CODO 45mm	L.200cm D.30mm ELBOW 45mm O.P
FA.961	EJE	ROD
FA.962	ASTA ACLARADO IZQUIERDA	LEFT RINSE ARM
FA.963	ASTA ACLARADO DERECHO	RIGHT RINSE ARM
FA.964	UNION ASTA ACLARADO	RINSE ARM JUNCTION
FA.975	TORICA GOMA NBR	RUBBER RING
FA1042	ARANDELA	WASHER
FA1043	TORNILLO INOX	SCREW
FA1056	ARANDELA INOX	INOX WASHER
FA1057	ARANDELA INOX	INOX WASHER
FA1088	PASAMANOS	WALL ISSART
FA1090	TUERCA	NUT
FA1091	PASAMUROS	WALL INSERT
FA1093	PASAMUROS	WALL INSERT
FA1094	ARANDELA	WASHES
FA1095	JUNTA GOMA	RUBBER GASKET
FA1131	SOPORTE DISTRIBUIDOR SUPERIOR	UPPER DISTRIBUTOR SUPPORT
FA1171	REBOSADERO FI 80	FI 80 OVERFLOW
FA1172	SOPORTE GIRATORIO	GIRATORY SUPPORT
FA1173	PASAMUROS	WALL INSERT
H26192	RETEN EJE BOMBA	MECHANICAL SEAL
LB.170	ABRAZADERA 40-60	40-60 CLAMP
LB.173	ABRAZADERA 60-80	60-80 CLAMP
M...96	TORICA GOMA	RUBBER GASKET
RK..87	TORICA	RING
V...55	CONDENSADOR 10 MF 220V	220V 10MF.CONDENSER





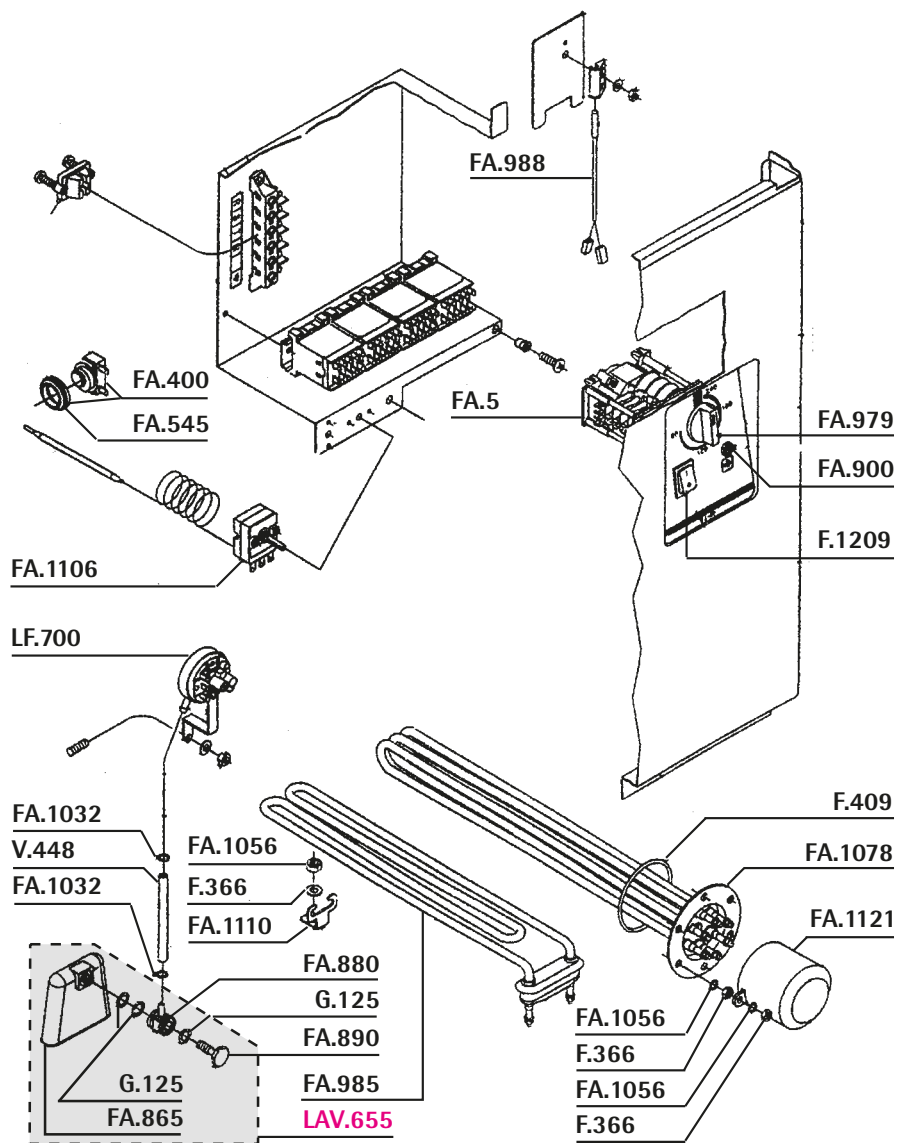
REF.	DESCRIPCIÓN	DESCRIPTION
ARI.34	JUNTA PLANA GOMA	FLAT RUBBER GASKET
F.366	TUERCA INOX	INOX NUT
FA..50	MOTO BOMBA 0.8 HP	0.8HP WASHING PUMP
FA.185	ROCIADOR ACLARADO	RINSE SPRAY
FA.370	TORNILLO FIJACION	FIXING SCREW
FA.565	TUERCA PLASTICO	PLASTIC NUT
FA.710	TORNILLO INOX	INOX SCREW
FA.926	T.DES.L.200cm D.30mm CODO 45mm	L.200cm D.30mm ELBOW 45mm O.P
FA.962	ASTA ACLARADO IZQUIERDA	LEFT RINSE ARM
FA.963	ASTA ACLARADO DERECHO	RIGHT RINSE ARM
FA.964	UNION ASTA ACLARADO	RINSE ARM JUNCTION
FA.975	TORICA GOMA NBR	RUBBER RING
FA1042	ARANDELA	WASHER
FA1043	TORNILLO INOX	SCREW
FA1056	ARANDELA INOX	INOX WASHER
FA1057	ARANDELA INOX	INOX WASHER
FA1090	TUERCA	NUT
FA1091	PASAMUROS	WALL INSERT
FA1093	PASAMUROS	WALL INSERT
FA1094	ARANDELA	WASHERS
FA1095	JUNTA GOMA	RUBBER GASKET
FA1101	PASAMUROS ARBOL LAVADO	WALL INSERT FOR WASHING B
FA1102	TUERCA ESPECIAL	SPECIAL NUT
FA1103	CASQUILLO DISTRIBUIDOR	COLLAR
FA1104	ARANDELA	WASHER
FA1145	BRAZO LAVADO	WASH ARM
FA1149	SOPORTE ASPA FI/100-200	FI/100-200 SUPPORT
FA1152	EJE FI-100	FI-100 ROD
FA1173	PASAMUROS	WALL INSERT
H26192	RETEN EJE BOMBA	MECHANICAL SEAL
LB.170	ABRAZADERA 40-60	40-60 CLAMP
LB.248	TORNILLO INOX	SCREW INOX
M...96	TORICA GOMA	RUBBER RING
RK..87	TORICA	RING
V...55	CONDENSADOR 10 MF 220V	220V 10MF.CONDENSER

Calderín FI-80 / 100 / 120 ■ FI-80 / 100 / 120 Boiler

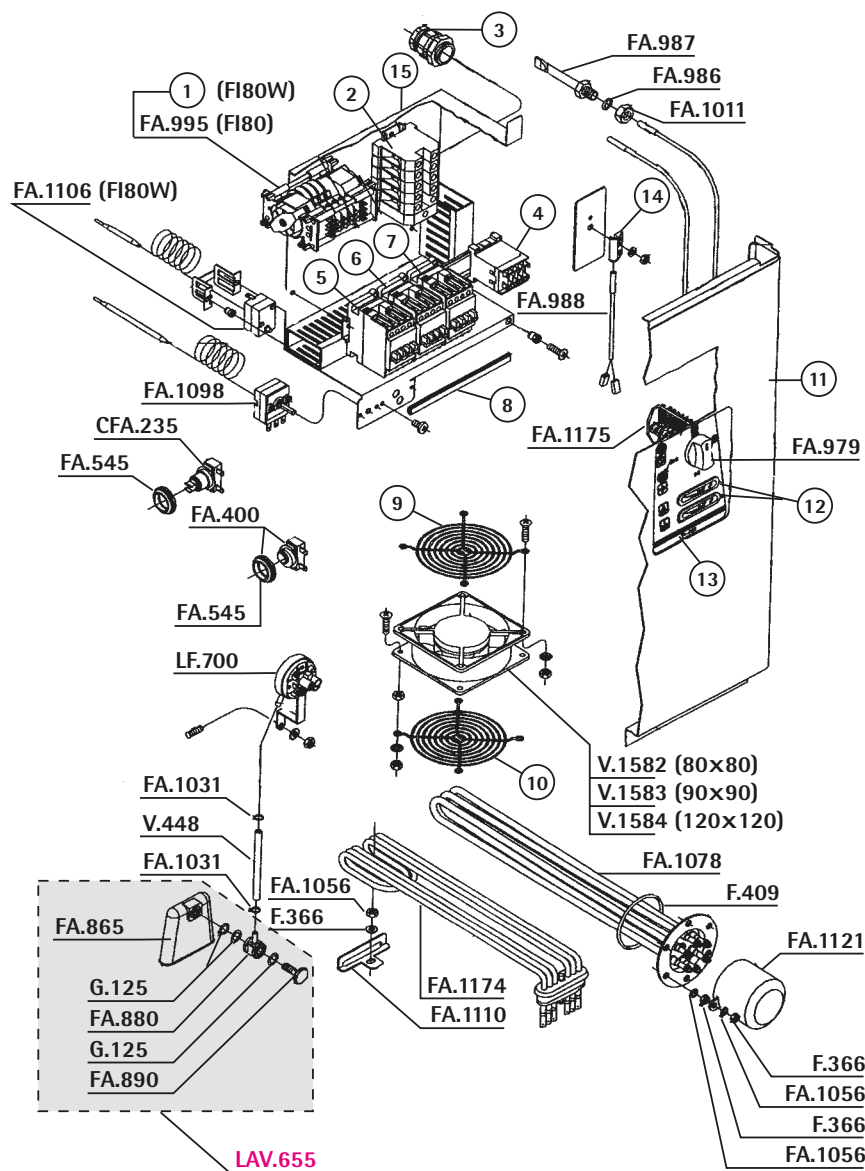


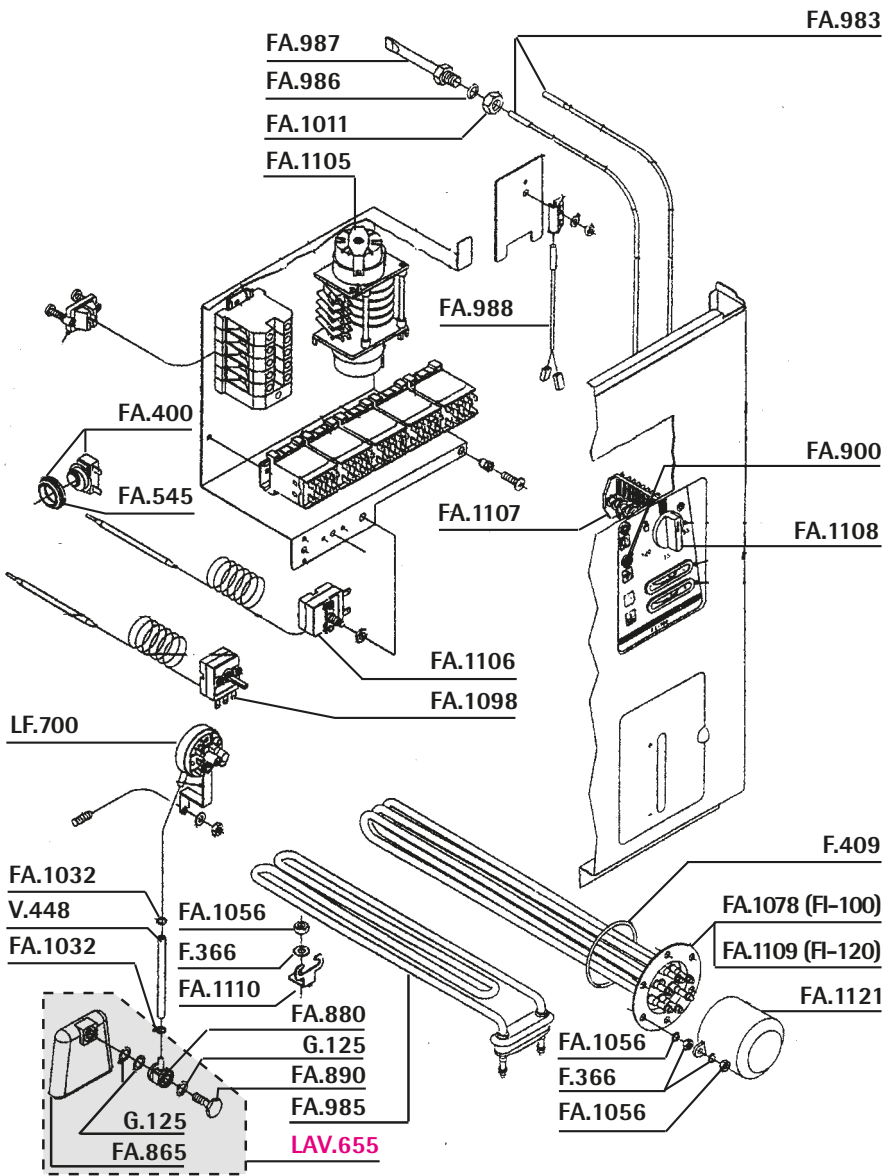
REF.	DESCRIPCIÓN	DESCRIPTION
C..109	TORNILLO	SCREW
FA.265	DOSF.ABRILL.BAJA PRESION	LOW PRESSURE RINSE AID DOS. Y FITTING
FA.790	RACOR Y	ANTI-RETURN VALVE
FA.968	VALVULA ANTIRETORNO	RINSE AID CONTAINER
FA.969	DEPOSITO ABRILLANTADOR	ASPIRATION FILTER
FA1028	FILTRO ASPIRACI" N	FILTER COUNTERWEIGHT
FA1029	CONTRAPESO FILTRO	8-16 INOX CLAMP
FA1031	ABRAZADERA INOX 8-16	BOILER CAP
FA1079	TAPON CALDERIN	RING
FA1080	TORICA	GASKET
FA1097	JUNTA GOMA	UPPER DISTRIBUTOR SUPPORT
FA1131	SOPORTE DISTRIBUIDOR SUPERIOR	F130 BOILER
FA1166	CALDERIN F130	WALL INSERT
FA1173	PASAMUROS	CONNECTION T
LAV.85	T DE CONEXION	20ATM 10X17 RUBBER PIPE
V...5	TUBO GOMA 10X16 20 ATM	12-20 CLAMP
V...62	ABRAZADERA 12-20	WASH 1 WAY 220V SOLENOID
V.132	ELECTROVAL.1 VIA LAV.220V	QUALITY 1.5M.INLET W.FLEX
V.415	TOMA LAVADORA 1,5M	4X6 PRE.SWITCH INLET PIPE
V.448	TUBO PRESOSTATO-METRO 4X6	WATER INLET RUBBER GASKET
V.546	JUNTA GOMA 3/4	2 MT.INLET WATER FLEXIBLE
V.815	TOMA LAVADORA 2 METROS	"ECO"1.5M INLET WA.FLEXIB
V.825	TOMA LAVADORA 1.5 "ECO"	INOX 1.5M INLET WATER FL.
V.848	TOMA LAVADORA 1.5M INOX	INOX 2MT.INLET WATER FLE.
V.849	TOMA LAV.INOX 2MT.3/4X3/4	INLET WATER FILTER
V.868	FILTRO TOMA LAVADORA 3/4	SCREW
V.935	TORNILLO	M5 INOX WASHER
V.948	ARANDELA INOX M5	

REF.	DESCRIPCIÓN	DESCRIPTION
F.366	TUERCA INOX	INOX NUT
F.409	TORICA GOMA NBR	RUBBER RING
F.1209	INTERRUPTOR AMBAR 250V	250V YELLOW SWITCH
FA...5	PROGRAM.3 MICROS 240S EJE	3 TOOTH 240S ROD TIMER
FA.400	TERMOSTATO CON JUNTA	WITH GASKET THERMOSTAT
FA.545	JUNTA TERMOSTATO GOMA	THERMOSTAT RUBBER GASKET
FA.865	CAMARA PRESOSTATICA	PRESSURE SWITCH CHAMBER
FA.880	EMPALME PRESOSTATO	PRESSURE SWITH UNION
FA.890	TORNILLO ESPECIAL LATON	SCREW
FA.900	PILOTO AMBAR 12mm 220V	12mm 220V YELLOW LAMP
FA.979	MANDO PROGRAMADOR	HANDLE
FA.985	RESISTENCIA CUBA 2800W	2800W 230V TANK RESISTANCE
FA.988	INTERRUPTOR MAGNETICO	MAGNET SWITCH
FA1032	BRIDA	CLASP
FA1056	ARANDELA INOX	INOX WASHER
FA1078	RES FI64/FI72/6000W400V	FI64/FI72 RESISTT. 6000W 400V
FA1106	TERMOSTATO LIMITADOR	LIMITER THERMOSTAT
FA1110	SOPORTE RESISTENCIA	SUPPORT RESISTANCE
FA1121	PROTECTOR RESIST.CALDERIN	BOILER RESISTANCE HOOD
G..125	TORICA GOMA EPDM	RUBBER RING
LAV655	CAMPANA PRESOSTATO	PRESSURE SWITCH BELL
LF.700	PRESOSTATO SAL/HOR.80/50	50/80 HORIZ.PRESS SWITCH
V..448	TUBO PRESOSTATO-METRO 4X6	4X6 PRE.SWITCH INLET PIPE



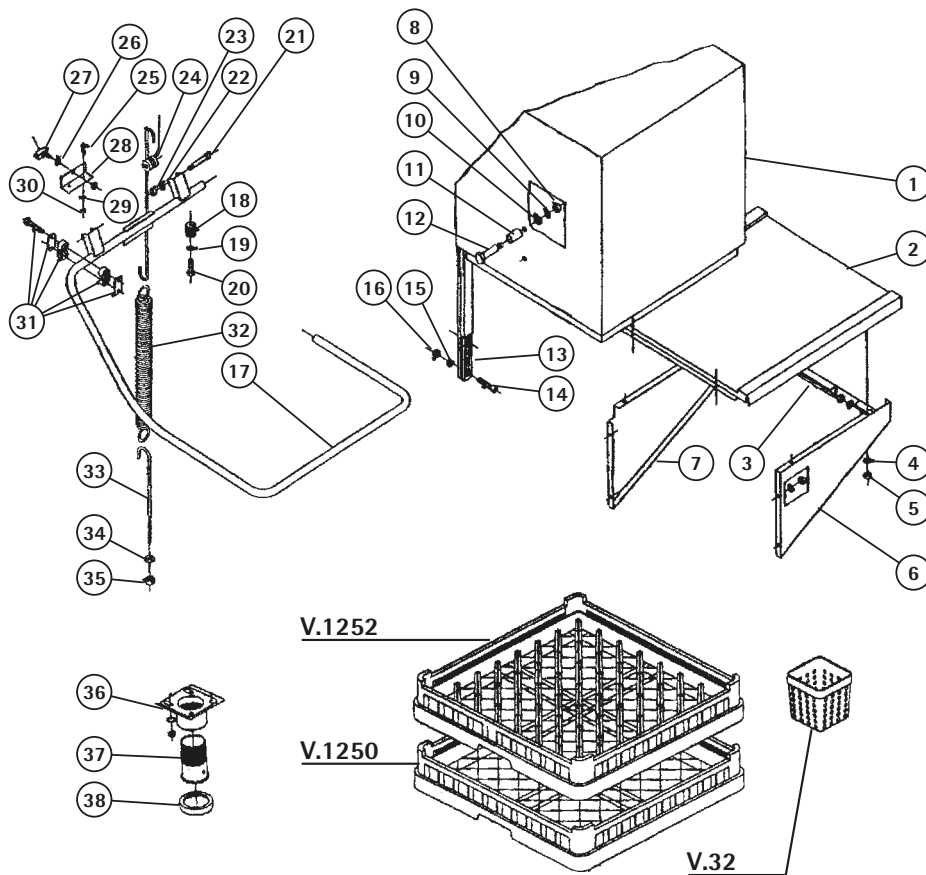
REF.	DESCRIPCIÓN	DESCRIPTION
CFA235	TERMOSTATO	THERMOSTAT
F.366	TUERCA INOX	INOX NUT
F.409	TORICA GOMA NBR	RUBBER RING
FA.400	TERMOSTATO CON JUNTA	WITH GASKET THERMOSTAT
FA.545	JUNTA TERMOSTATO GOMA	THERMOSTAT RUBBER GASKET
FA.865	CAMARA PRESOSTATICA	PRESSURE SWITCH CHAMBER
FA.880	EMPALME PRESOSTATO	PRESSURE SWITCH UNION
FA.890	TORNILLO ESPECIAL LATON	SCREW
FA.979	MANDO PROGRAMADOR	HANDLE
FA.986	JUNTA FIBRA	FIBRE GASKET
FA.987	VAINA SONDA	PROBE SASTENING
FA.988	INTERRUPTOR MAGNETICO	MAGNET SWITCH
FA.995	PROGRAMADOR FI-72/48B/64B	FI-72/48B/64B TIMER
FA1011	TUERCA INOX	NUT
FA1031	ABRAZADERA INOX 8-16	8-16 INOX CLAMP
FA1056	ARANDELA INOX	INOX WASHER
FA1078	RES FI64/FI72/6000W400V	FI64/FI72 RESISTT. 6000W 400V
FA1098	TERMOSTATO CALDERIN	THERMOSTAT BOILER
FA1106	TERMOSTATO LIMITADOR	LIMITER THERMOSTAT
FA1110	SOPORTE RESISTENCIA	SUPPORT RESISTANCE
FA1121	PROTECTOR RESIST.CALDERIN	BOILER RESISTANCE HOOD
FA1174	RESISTENCIA 4500W 230V	4500W 230V RESIS.
FA1175	INTERRUPTOR MARCHA	STARTER SWITCH
G..125	TORICA GOMA EPDM	RUBBER RING
LAV655	CAMPANA PRESOSTATO	PRESSURE SWITCH BELL
LF.700	PRESOSTATO SAL/HOR.80/50	50/80 HORIZ.PRESS SWITCH
V..448	TUBO PRESOSTATO-METRO 4X6	4X6 PRE.SWITCH INLET PIPE
V.1582	VENTILADOR 80x80mm 230V	230V 80x80mm VENTILATOR
V.1583	VENTILADOR 90x90mm 230V	230V 90x90mm VENTILATOR
V.1584	VENTILADOR 120x120mm 230V	230V 120x120mm VENTILATOR





REF.	DESCRIPCIÓN	DESCRIPTION
F.366	TUERCA INOX	INOX NUT
F.409	TORICA GOMA NBR	RUBBER RING
FA.400	TERMOSTATO CON JUNTA	WITH GASKET THERMOSTAT
FA.545	JUNTA TERMOSTATO GOMA	THERMOSTAT RUBBER GASKET
FA.865	CAMARA PRESOSTATICA	PRESSURE SWITCH CHAMBER
FA.880	EMPALME PRESOSTATO	PRESSURE SWITH UNION
FA.890	TORNILLO ESPECIAL LATON	SCREW
FA.900	PILOTO AMBAR 12mm 220V	12mm 220V YELLOW LAMP
FA.983	SONDA	PROBE
FA.985	RESISTENCIA CUBA 2800W	2800W 230V TANK RESISTANCE
FA.986	JUNTA FIBRA	FIBRE GASKET
FA.987	VAINA SONDA	PROBE SASTENING
FA.988	INTERRUPTOR MAGNETICO	MAGNET SWITCH
FA1011	TUERCA INOX	NUT
FA1032	BRIDA	CLASP
FA1056	ARANDELA INOX	INOX WASHER
FA1078	RES FI64/FI72/6000W400V	FI64/FI72 RESIST. 6000W 400V
FA1098	TERMOSTATO CALDERIN	THERMOSTAT BOILER
FA1105	PROGRAMADOR CICLO	TIMER
FA1106	TERMOSTATO LIMITADOR	LIMITER THERMOSTAT
FA1107	CONMUTADOR FUNCIONES	FUNCTIONS SWITCH
FA1108	POMO CONMUTADOR	SWITCH HANDLE
FA1109	RESIS.CALDERIN 12000W 230V	12000W/230V BOILER RESIS.
FA1110	SOPORTE RESISTENCIA	SUPPORT RESISTANCE
FA1121	PROTECTOR RESIST.CALDERIN	BOILER RESISTANCE HOOD
G..125	TORICA GOMA EPDM	RUBBER RING
LAV655	CAMPANA PRESOSTATO	PRESSURE SWITCH BELL
LF.700	PRESOSTATO SAL/HOR.80/50	50/80 HORIZ.PRESS SWITCH
V.448	TUBO PRESOSTATO-METRO 4X6	4X6 PRE.SWITCH INLET PIPE

Carrocería / Cestos FI-900 / FI-1200 ■ FI-900 / FI-1200 Baskets / Bodywork

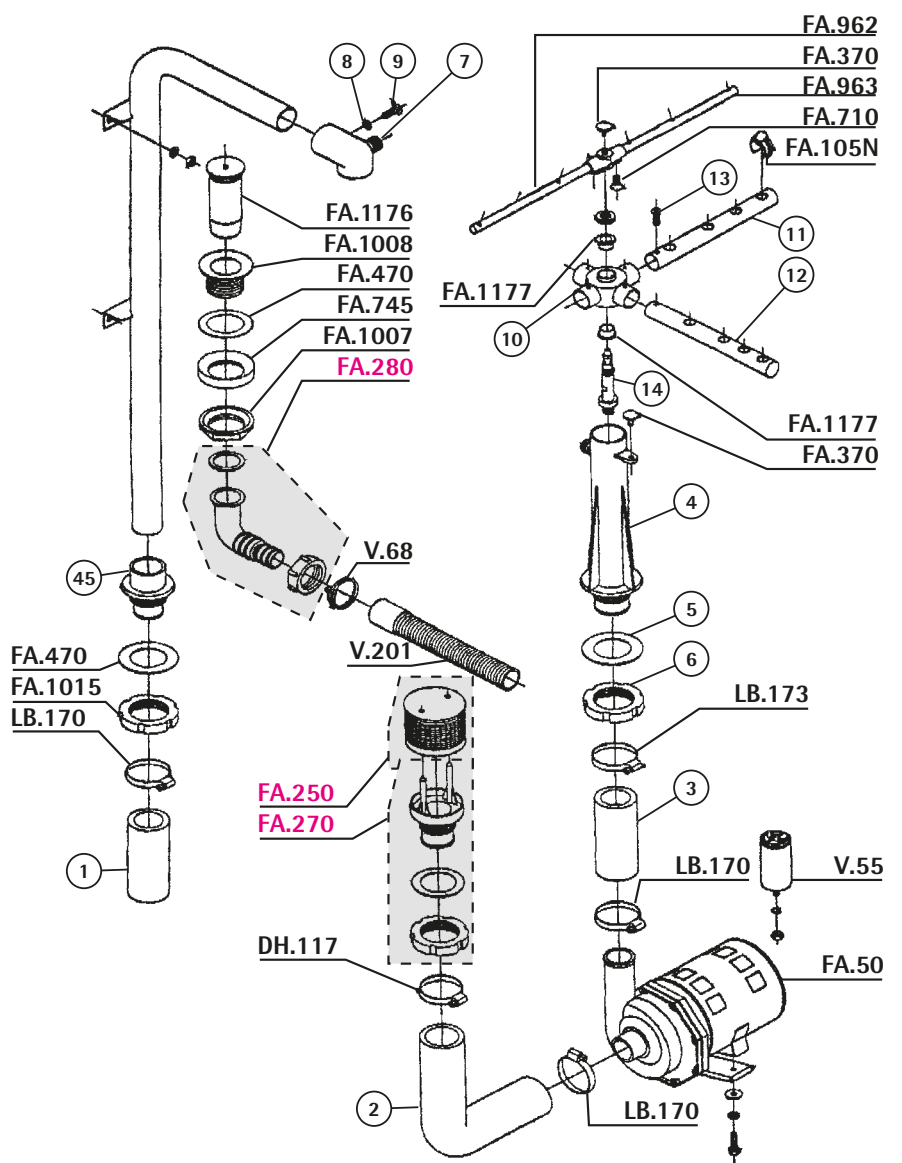


REF.	DESCRIPCIÓN	DESCRIPTION
V..32	CESTO CUCHARAS PLASTICO	PLASTIC SPOON BASKET
V.1250	CESTA VASOS 50X50	50X50 GLASSES RACK
V.1252	CEST.PLATOS-BANDEJA 50X50	PLATES AND TRAYS RACK

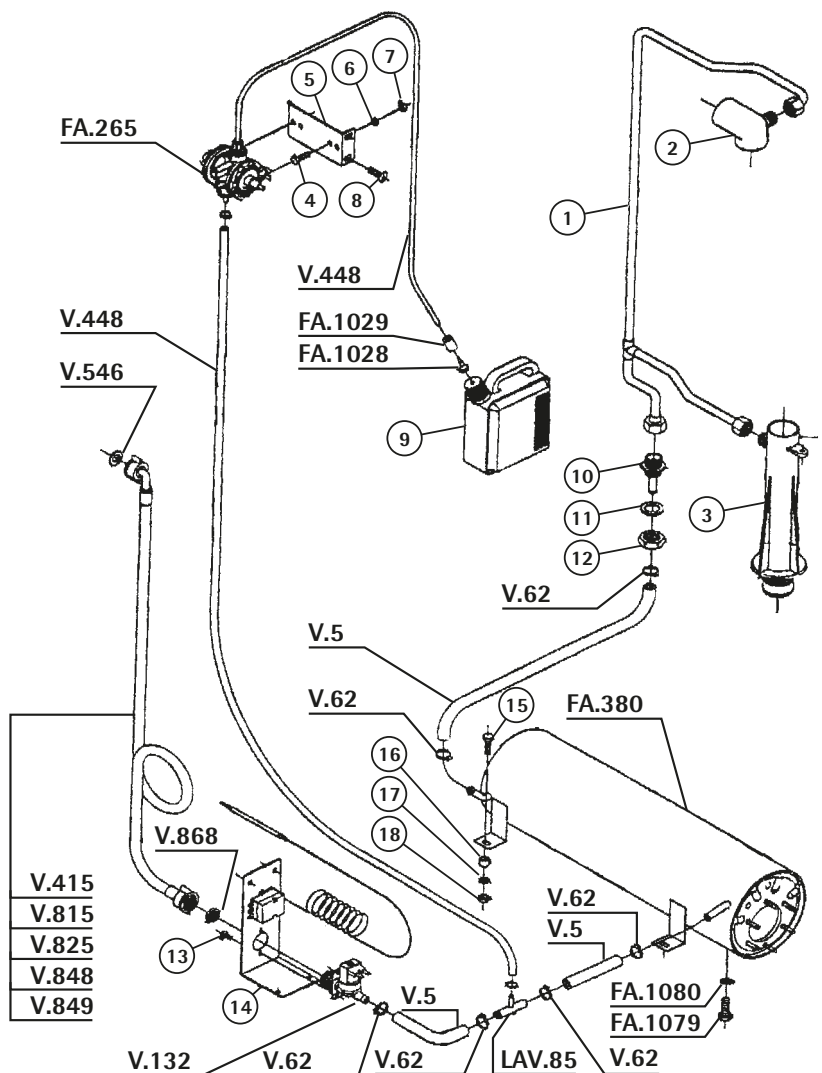
GAMA COMPLETA VER PÁG.:34
COMPLET RANGE SEE PAG: 34

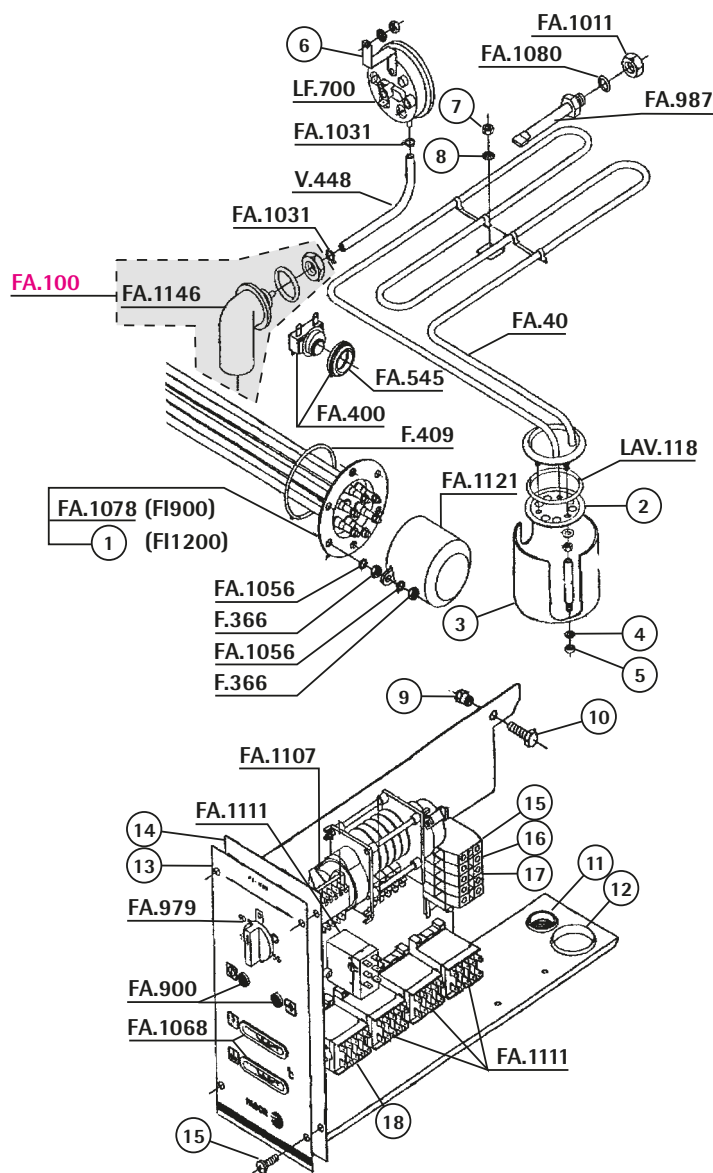


REF.	DESCRIPCIÓN	DESCRIPTION
DH.117	ABRAZADERA 46-70	46-70 CLAMP
FA..50	MOTO BOMBA 0.8 HP	0.8HP WASHING PUMP
FA.250	FILTRO BOMBA	PUMP FILTER
FA.270	SOPORTE FILTRO	FILTER SUPPORT
FA.280	CODO DESAGÜE COMPLETO	COMPLET DRAIN ELBOW
FA.370	TORNILLO FIJACION	FIXING SCREW
FA.470	JUNTA BASE S.NIVEL GOMA	B.OVERFLOW RUBBER GASKET
FA.710	TORNILLO INOX	INOX SCREW
FA.745	ASTA LAVADO LVC 21/21B	LVC 21/21B WASHING ARM
FA.962	ASTA ACLARADO IZQUIERDA	LEFT RINSE ARM
FA.963	ASTA ACLARADO DERECHO	RIGHT RINSE ARM
FA.1007	TUERCA PLASTICO	PLASTIC NUT
FA.1008	RACOR DESAGÜE PLASTICO	DRAIN FITTING
FA.1015	TUERCA PLASTICO	PLASTIC NUT
FA.105N	ROCIADOR LAVADO NEGRO	BLACK WASHING SPRAY
FA.1176	REBOSADERO	OVERFLOW
FA.1177	CASQUILLO	CAP
LB.170	ABRAZADERA 40-60	40-60 CLAMP
LB.173	ABRAZADERA 60-80	60-80 CLAMP
V...55	CONDENSADOR 10 MF 220V	220V 10MF.CONDENSER
V...68	ABRAZADERA 32-50	35-50 CLAMP
V.201	TUBO DESAGÜE 28mm. 1,5mt.	28mm. 1.5mt OUTLET PIPE



REF.	DESCRIPCIÓN	DESCRIPTION
FA.265	DOSF.ABRILL.BAJA PRESION	LOW PRESSURE RINSE AID DOS.
FA.380	CALDERIN	BOILER
FA.1028	FILTRO ASPIRACI"N	ASPIRATION FILTER
FA.1029	CONTRAPESO FILTRO	FILTER COUNTERWEIGHT
FA.1079	TAPON CALDERIN	BOILER CAP
FA.1080	TORICA	RING
LAV.85	T DE CONEXION	CONECTION T
V....5	TUBO GOMA 10X16 20 ATM	20ATM 10X17 RUBBER PIPE
V...62	ABRAZADERA 12-20	12-20 CLAMP
V..132	ELECTROVAL.1 VIA LAV.220V	WASH 1 WAY 220V SOLENOID
V.415	TOMA LAVADORA 1,5M	QUALITY 1.5M.INLET W.FLEX
V.448	TUBO PRESOSTATO-METRO 4X6	4X6 PRE.SWITCH INLET PIPE
V.546	JUNTA GOMA 3/4	WATER INLET RUBBER GASKET
V..815	TOMA LAVADORA 2 METROS	2 MT.INLET WATER FLEXIBLE
V..825	TOMA LAVADORA 1.5 "ECO"	"ECO"1.5M INLET WA.FLEXIB
V..848	TOMA LAVADORA 1.5M INOX	INOX 1.5M INLET WATER FL.
V..849	TOMA LAV.INOX 2MT.3/4X3/4	INOX 2MT.INLET WATER FLE.
V..868	FILTRO TOMA LAVADORA 3/4	INLET WATER FILTER



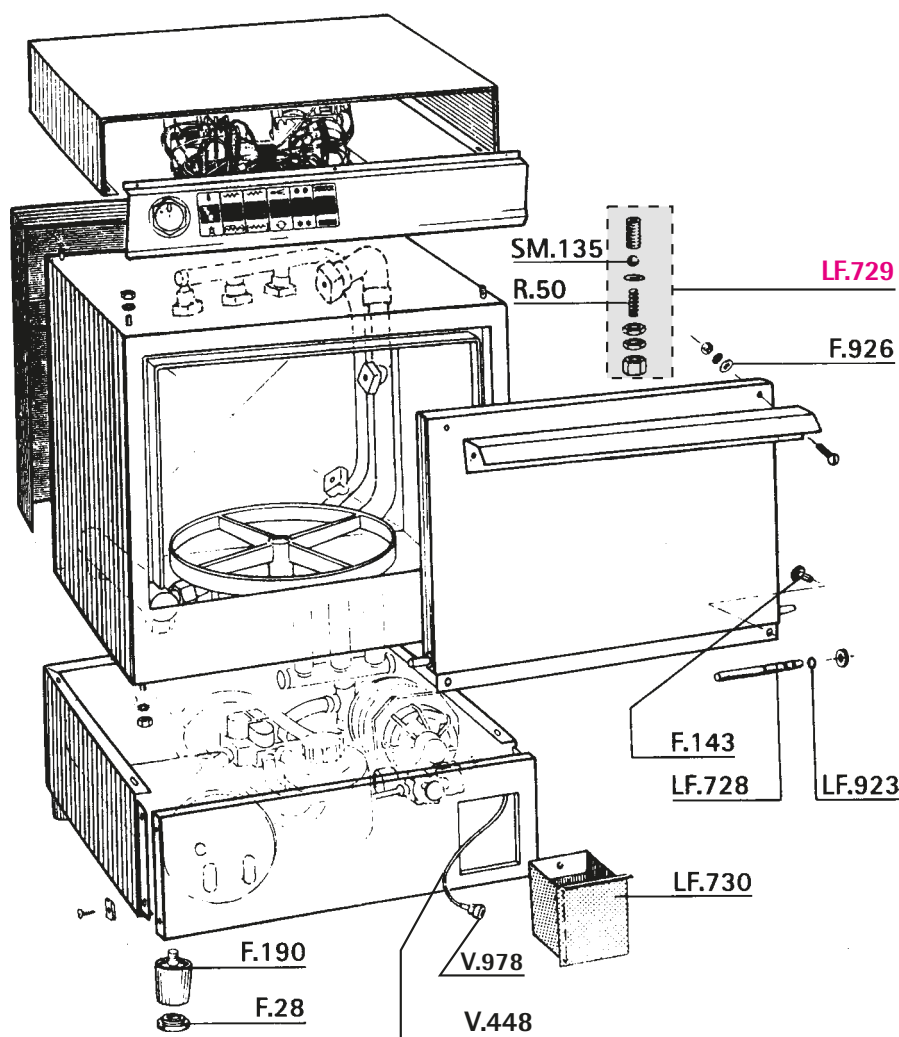


REF.	DESCRIPCIÓN	DESCRIPTION
F.366	TUERCA INOX	INOX NUT
F.409	TORICA GOMA NBR	RUBBER RING
FA..40	RESIST.CUBA 2800W 230V	2800W 230V TANK RESIST.
FA.100	CAMARA PRESOSTATICA CTA.	COMPLET PRESSURE SWITCH CHAMBE
FA.400	TERMOSTATO CON JUNTA	WITH GASKET THERMOSTAT
FA.545	JUNTA TERMOSTATO GOMA	THERMOSTAT RUBBER GASKET
FA.900	PILOTO AMBAR 12mm 220V	12mm 220V YELLOW LAMP
FA.979	MANDO PROGRAMADOR	HANDLE
FA.987	VAINA SONDA	PROBE SASTENING
FA.1011	TUERCA INOX	NUT
FA.1031	ABRAZADERA INOX 8-16	8-16 INOX CLAMP
FA.1056	ARANDELA INOX	INOX WASHER
FA.1068	JUNTA GOMA	RUBBER GASKET
FA.1078	RES FI64/FI72/6000W400V	FI64/FI72 RESISTT. 6000W 400V
FA.1080	TORICA	RING
FA.1107	CONMUTADOR FUNCIONES	FUNCTIONS SWITCH
FA.1111	CONTACTOR 220V	220V RELAY
FA.1121	PROTECTOR RESIST.CALDERIN	BOILER RESISTANCE HOOD
FA.1146	CAMARA PRESOSTATICA	PRESSURE SWITCH CHAMBER
LAV.118	TORICA GOMA	RING
LF.700	PRESOSTATO SAL/HOR.80/50	50/80 HORIZ.PRESS SWITCH
V.448	TUBO PRESOSTATO-METRO 4X6	4X6 PRE.SWITCH INLET PIPE

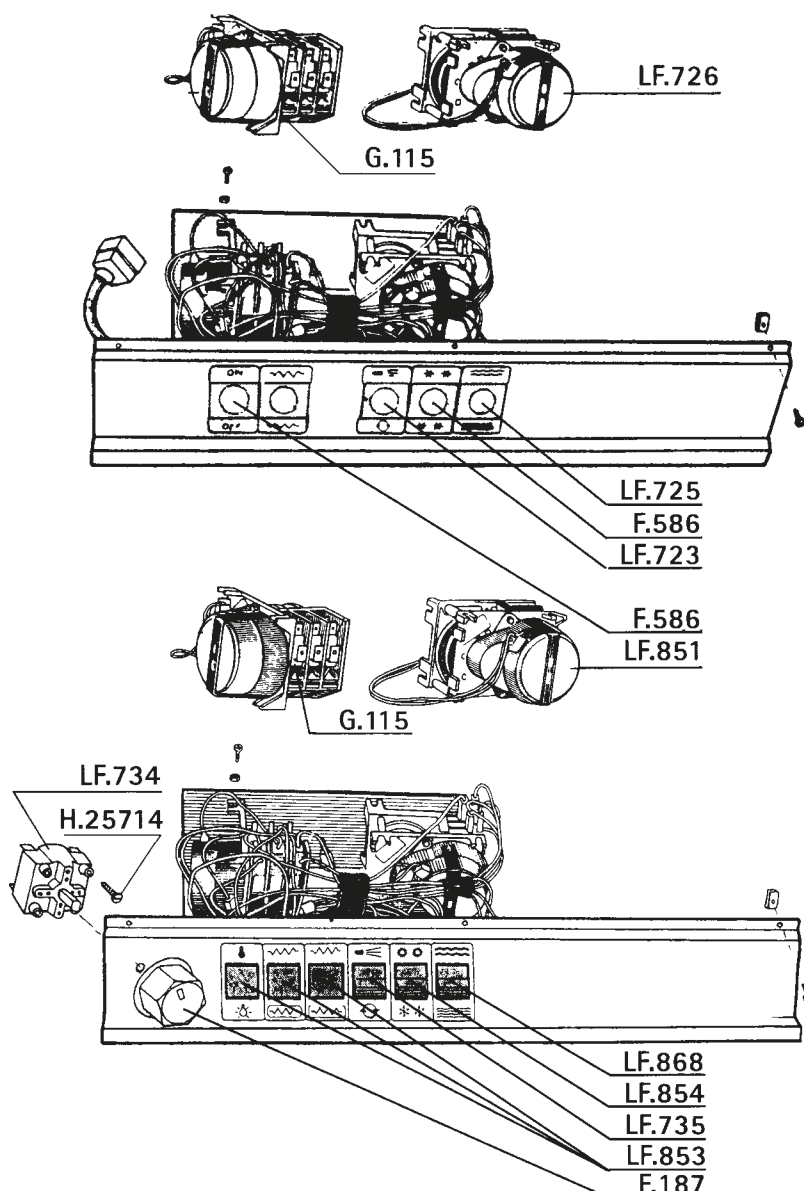
Índice FUTURMAT index

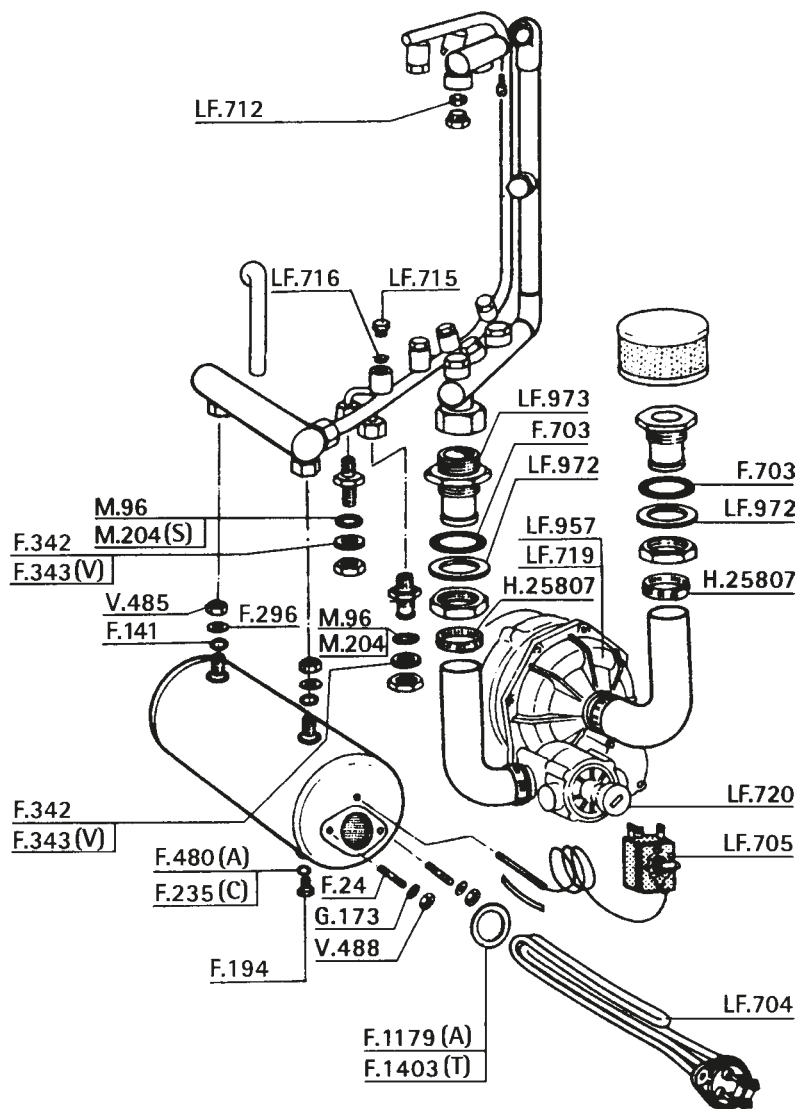
Carrocería LT-4/5	LT-4/5 Bodywork	987
Componentes eléctricos LT-4/5	LT-4/5 Electric components	988
Lavado / Aclarado LT-4/5	LT-4/5 Wash / Rinse	989
Varios LT-4/5	LT-4/5 Various	990
Lavado / Aclarado LT-4/5 moderno	LT-4/5 Modern Wash / Rinse	991
Varios LT-4/5 moderno	LT-4/5 Modern Various	992
Bomba / Dosificador abrillantador	Pump / Brightness dosimeter	993
Varios LT-4/5	LT-4/5 Various	994
Carrocería LP-14	LP-14 Bodywork	995
Lavado / Aclarado / Componentes eléctricos LP-14	LP-14 Wash / rinse / Electric components	996
Varios LP-14	LP-14 Various	997

REF.	DESCRIPCIÓN	DESCRIPTION
F...28	DISCO GOMA	GUM DISK
F.143	TACO CIERRE	CLOSING GASKET
F.190	PIE DE APOYO	FOOT
F.926	ARANDELA PLANA METAL	METAL PLANE WASHER
LF.728	EJE PUERTA LT	DOOR ROD
LF.729	CIERRE PUERTA LT-4/5/LP14	LT4/5/LP14 CLOSING DOOR
LF.730	DEPOSITO ABRILLANTADOR	RINSE AID CONTAINER
LF.923	ANILLO SEEGER	SEEGER RING
R...50	MUELLE	SPRING
SM.135	ESFERA INOX 9,5mm	INOX SPHERE
V.448	TUBO PRESOSTATO-METRO 4X6	4X6 PRE.SWITCH INLET PIPE
V.978	FILTRO DOSIFICADOR	DOSIMETER FILTER



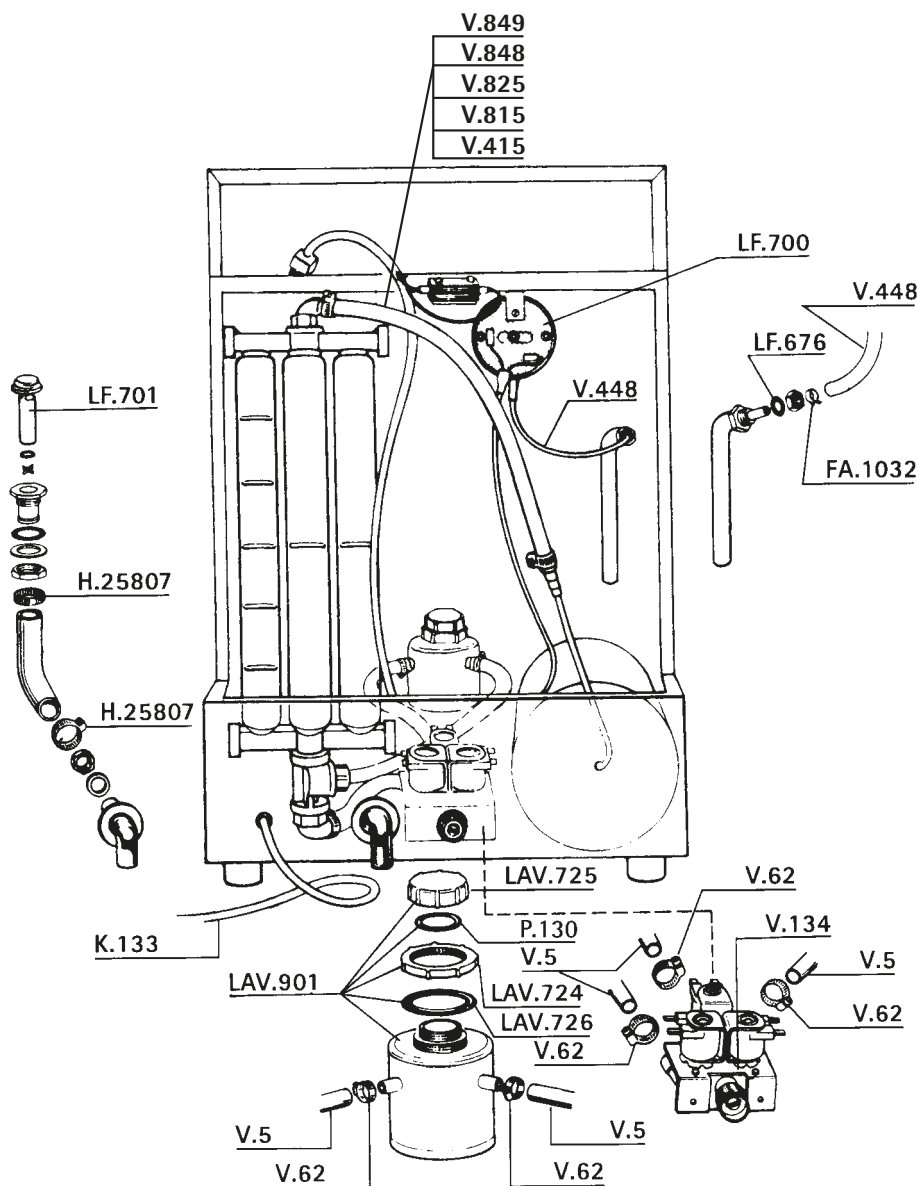
REF.	DESCRIPCIÓN	DESCRIPTION
F.187	POMO INTERRUPTOR NEGRO	BLACK SWITCH HANDLE
F.586	INTERRUPTOR REDONDO ROJO	RED ROUND SWITCH
G..115	MICROINTERRUPTOR 250V 6A	250V 6A MICROSWITCH
H25714	TORNILLO INOX	INOX SCREW
LF.723	PULSADOR BIPOLAR AMARILLO	YELLOW PUSH-BUTTON
LF.725	PULSADOR BIPOLAR VERDE FLUOR	GREEN PUSH-BUTTON
LF.726	PROGRAMADOR 2MICROS 120S	120S 2 TOOTH TIMER
LF.734	CONMUTADOR	SWITCH
LF.735	PULSADOR AMBAR 250V	YELLOW PUSH BUTTON
LF.851	PROGRAMADOR 3 LEVAS 18MIN	3 TOOTH 18 MINUTES TIMER
LF.853	PILOTO RESIST.LT 4/5 ROJO	LT4/5 RESIST. RED LAMP
LF.854	CONMUTADOR AZUL 250V	BLUE SWITCH
LF.868	PULSADOR VERDE LAVATAZAS	GREEN PUSH-BUTTON





REF.	DESCRIPCIÓN	DESCRIPTION
F..24	ESPARRAGO	HEADLESS SCREW
F..141	TORICA GOMA	RUBBER RING
F..194	TAPON 1/4 MACHO	1/4 MALE CAP
F..235	JUNTA METALOPLASTICA	COPPER GASKET
F..296	ARANDELA PLANA	PLANE WASHER
F..342	TORICA GOMA EPDM	RUBBER RING
F..343	TORICA VITON 300]	300] VITON RING
F..480	JUNTA ALIMENTARIA	ALIMENTARY GASKET
F..703	TORICA	RING
F..1179	JUNTA ALIMENTARIA	ALIMENTARY GASKET
F..1403	JUNTA RESISTENCIA TEFLON	TEFLON RESISTANCE GASKET
G..173	ARANDELA	WASHER
H25807	ABRAZADERA 25-40	25-40 CLAMP
LF.704	RESIST.MODELO ANT. 2500W	OLD RESISTANCE 2500W
LF.705	TERMOSTATO 90° BULBO 3mt.	90° BULB 3m THERMOSTAT
LF.712	ESTRANGULADOR LT 4/5	LT-415 SWIRL
LF.715	TUERCA ACLARADO	RINSE NUT
LF.716	ESTRANGULADOR ACLARADO	RINSING SWIRL
LF.719	ELECTROBOMBA 0.3HP	0.3HP PUMP
LF.720	DOSIFICADOR ABRILLANTADOR	RINSE AID DOSIMETER
LF.957	ELECTROBOMBA 0.6HP	0.6HP PUMP
LF.972	ARANDELA	WASHER
LF.973	RACOR	FITTING
M...96	TORICA GOMA NBR	RUBBER RING
M..204	TORICA SILICONA	SILICONE RING
V..485	TUERCA 3/8 PARA BELLOTA	3/8 FOR CAP NUT
V..488	TUERCA M-8	M-8 NUT

Varios LT-4/5 ■ LT-4/5 Various



REF.	DESCRIPCIÓN	DESCRIPTION
FA1032	BRIDA	CLASP
H25807	ABRAZADERA 25-40	25-40 CLAMP
LAV724	TUERCA DEPOSITO SAL	SALT CONTAINER NUT
LAV725	TAPON BOTELLA SAL	SALT BOTTLE CAP
LAV726	JUNTA GOMA BOTELLA SAL	BOTTLE SALT RUBBER GASKET
LAV901	DEPOSITO SAL COMPLETO	SALT CONTAINER
LF.676	TORICA	RING
LF.700	PRESOSTATO SAL/HOR.80/50	50/80 HORIZ.PRESS SWITCH
LF.701	SOBRENIVEL ANTIGUO	OLD OVERFLOW
K.133	CABLE RED	WIRING
P.130	TORICA EPDM	RING
V...5	TUBO GOMA 10X16 20 ATM	20ATM 10X17 RUBBER PIPE
V..62	ABRAZADERA 12-20	12-20 CLAMP
V..134	ELECTROVAL.3VIA LAV.220V	WASH 3 WAYS 220V SOLENOID
V..415	TOMA LAVADORA 1.5M	QUALITY 1.5M.INLET W.FLEX
V..448	TUBO PRESOSTATO-METRO 4X6	4X6 PRE.SWITCH INLET PIPE
V..815	TOMA LAVADORA 2 METROS	2 MT.INLET WATER FLEXIBLE
V..825	TOMA LAVADORA 1.5 "ECO"	"ECO"1.5M INLET WA.FLEXIB
V..848	TOMA LAVADORA 1.5M INOX	INOX 1.5M INLET WATER FL.
V..849	TOMA LAV.INOX 2MT.3/4X3/4	INOX 2MT.INLET WATER FLE

991 Lavado / Aclarado LT-4/5 moderno ■ LT-4/5 Modern Wash / Rinse

Lavavajillas Dishwashers FUTURMAT

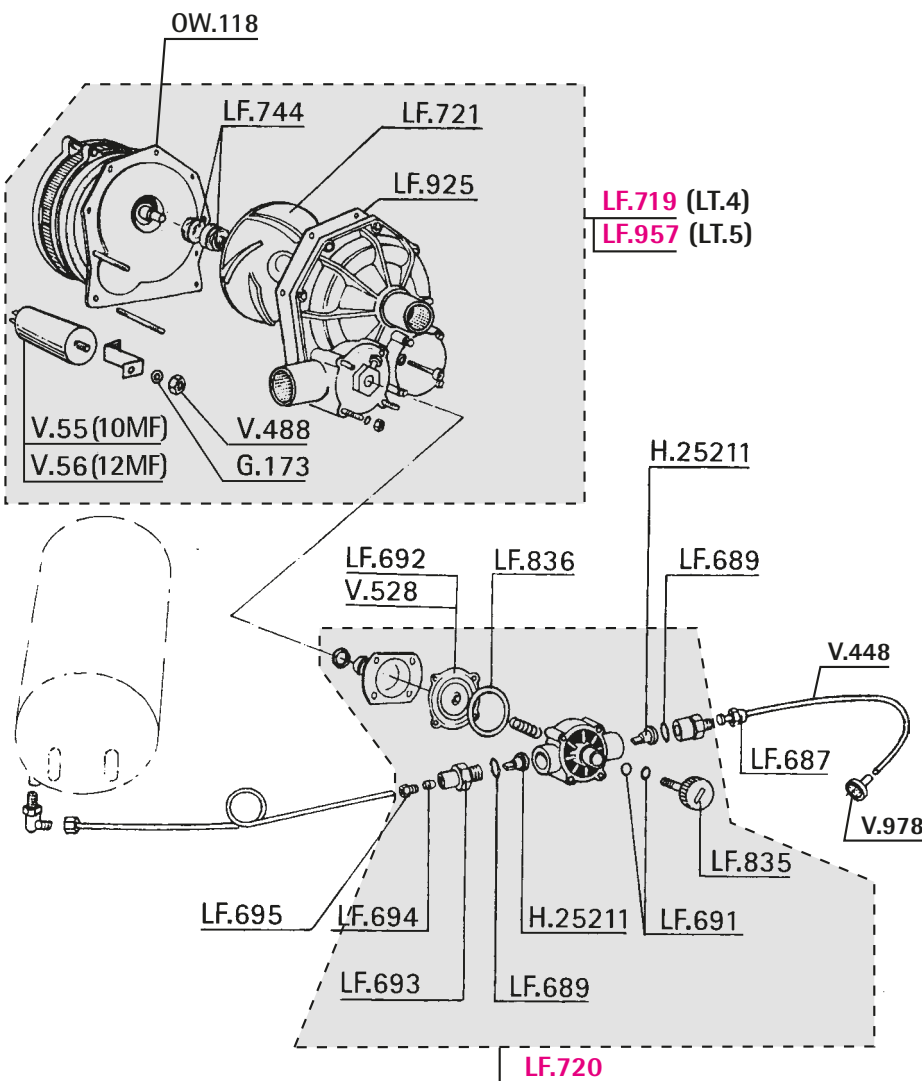
REF.	DESCRIPCIÓN	DESCRIPTION
F.194	TAPON 1/4 MACHO	1/4 MALE CAP
F.206	TORICA GOMA EPDM	RUBBER RING
F.207	TORICA VITON 300∞	300∞ VITON RING
F.296	ARANDELA PLANA	PLANE WASHER
F.342	TORICA GOMA EPDM	RUBBER RING
F.343	TORICA VITON 300∞	300∞ VITON RING
F.465	TORICA GOMA EPDM	RUBBER RING
G..125	TORICA GOMA EPDM	RUBBER RING
G..126	TORICA SILICONA	SILICONE RING
H25807	ABRAZADERA 25-40	25-40 CLAMP
LF.705	TERMOSTATO 90° BULBO 3mt.	90° BULB 3m THERMOSTAT
LF.709	INTERCAMBIADOR DE CALOR	HEAT EXCHANGER
LF.711	TUBO LAVADO LT-5.CROMO	CHROMED LT5 WASHING PIPE
LF.712	ESTRANGULADOR LT 4/5	LT-4/5 SWIRL
LF.716	ESTRANGULADOR ACLARADO	RINSING SWIRL
LF.717	TUBO ACLARADO LT-4 CROMO	CRHOME LT4 RINSE PIPE
LF.718	TUBO ACLARADO LT-5.CROMO	CROMED LT5 RINSE PIPE
LF.720	DOSIFICADOR ABRILLANTADOR	RINSE AID DOSIMETER
LF.736	RESIST.CALDERIN 1500W 230V	BOILER RESISTANCE 1500W 230V
LF.739	TUBO LAVADO LT-4 CROMO	CRHOME LT4 WASHING PIPE
LF.913	CALDERIN LT-4	LT-4 BOILER
LF.914	CALDERIN LT-5	LT-5 BOILER
M...46	TORICA GOMA EPDM	RUBBER RING
M...47	TORICA VITON 300∞	300∞ VITON RING
M...96	TORICA GOMA NBR	RUBBER RING
M..204	TORICA SILICONA	SILICONE RING
V..485	TUERCA 3/8 PARA BELLOTA	3/8 FOR CAP NUT
V..486	TUERCA DE 1/2 PARA BICONO	1/2 FOR BICONE NUT
W...98	ARANDELA NIVEL	LEVEL WAHER

992 Varios LT-4/5 moderno ■ LT-4/5 Modern Varios

Lavavajillas Dishwashers FUTURMAT

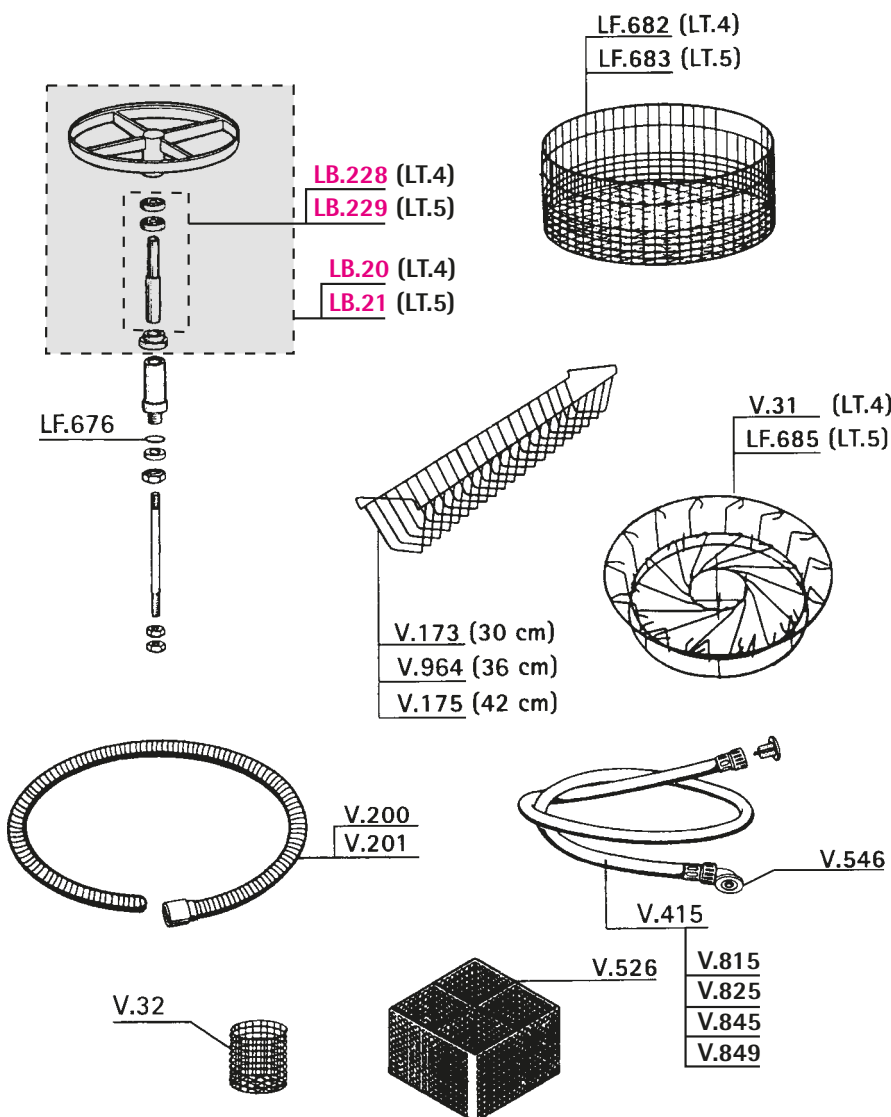
REF.	DESCRIPCIÓN	DESCRIPTION
F.147	TAZA DESAGÜE	OUTLET TANK
FA1032	BRIDA	CLASP
H25014	SOBRENIVEL	OVERFLOW
H25807	ABRAZADERA 25-40	25-40 CLAMP
J...7	TERMOSTATO 0-60°	0-60° THERMOSTAT
K..133	MANGUERA DE RED 220V	220V ELECTRIC WIRING
LAV724	TUERCA DEPOSITO SAL	SALT CONTAINER NUT
LAV725	TAPON BOTELLA SAL	SALT BOTTLE CAP
LAV726	JUNTA GOMA BOTELLA SAL	BOTTLE SALT RUBBER GASKET
LAV900	DEPURADOR LAVATAZAS	WASHING CUP PURIFIER
LAV901	DEPOSITO SAL COMPLETO	SALT CONTAINER
LF.700	PRESOSTATO SAL/HOR.80/50	50/80 HORIZ.PRESS SWITCH
LF.736	RESIST.CALDERIN 1500W 230V	BOILER RESISTANCE 1500W 230V
LF.967	JUNTA GOMA	RUBBER GASKET
P..130	TORICA EPDM	RING
V...5	TUBO GOMA 10X16 20 ATM	20ATM 10X17 RUBBER PIPE
V...62	ABRAZADERA 12-20	12-20 CLAMP
V..134	ELECTROVAL.3VIA LAV.220V	WASH 3 WAYS 220V SOLENOID
V..415	TOMA LAVADORA 1,5M	QUALITY 1.5M.INLET W.FLEX
V..448	TUBO PRESOSTATO-METRO 4X6	4X6 PRE.SWITCH INLET PIPE

ascaso



REF.	DESCRIPCIÓN	DESCRIPTION
G..173	ARANDELA	WASHER
H25211	VALVULA ABRILLANTADOR	VALVE
LF.687	RACOR DOSIFABRILLANT.	RINSE AID FITTING
LF.689	ARANDELA DOSIFABRILLANTADOR	RINSE AID DOSIMET.WASHER
LF.691	TORICA DOSIFABRILLANTADOR	DOSIMETER RING
LF.692	MEMBRANA DOSIFABRILLANTAD	DOSIMETER MEMBRANE
LF.693	RACOR DOSIFABRILLANTADOR	RINSE AID FITTING
LF.694	BICONO DOSIFABRILLANTADOR	BICONE
LF.695	TUERCA DOSIFABRILLANTADOR	RINSE AID DOSIM. NUT
LF.719	ELECTROBOMBA 0.3HP	0.3HP PUMP
LF.720	DOSIFICADOR ABRILLANTADOR	RINSE AID DOSIMETER
LF.721	PALETA BOMBA	PUMP SHOVEL
LF.744	RETEN CERAMICA BOMBA	MECHANICAL SEAL
LF.835	POMO DOSIFABRILLANTADOR	RINSE AID HANDLE
LF.836	TORICA ELECTROBOMBA GOMA	MOTOR RUBBER RING
LF.925	JUNTA BOMBA CORCHO LT-4/5	LT-4/5 MOTOR CORK GASKET
LF.957	ELECTROBOMBA 0.6HP	0.6HP PUMP
OW.118	JUNTA BOMBA MODERNA	MODERN MOTOR GASKET
V...55	CONDENSADOR 10 MF 220V	220V 10MF.CONDENSER
V...56	CONDENSADOR 12,5 MF 220V	12,5MF 220V CONDENSER
V.448	TUBO PRESOSTATO-METRO 4X6	4X6 PRE.SWITCH INLET PIPE
V.488	TUERCA M-8	M-8 NUT
V.528	MEMBRANA SILICONA DOS.ABR	SILICONE MEMBRANE
V.978	FILTRO DOSIFICADOR	DOSIMETER FILTER

Varios LT-4/5 ■ LT-4/5 Various

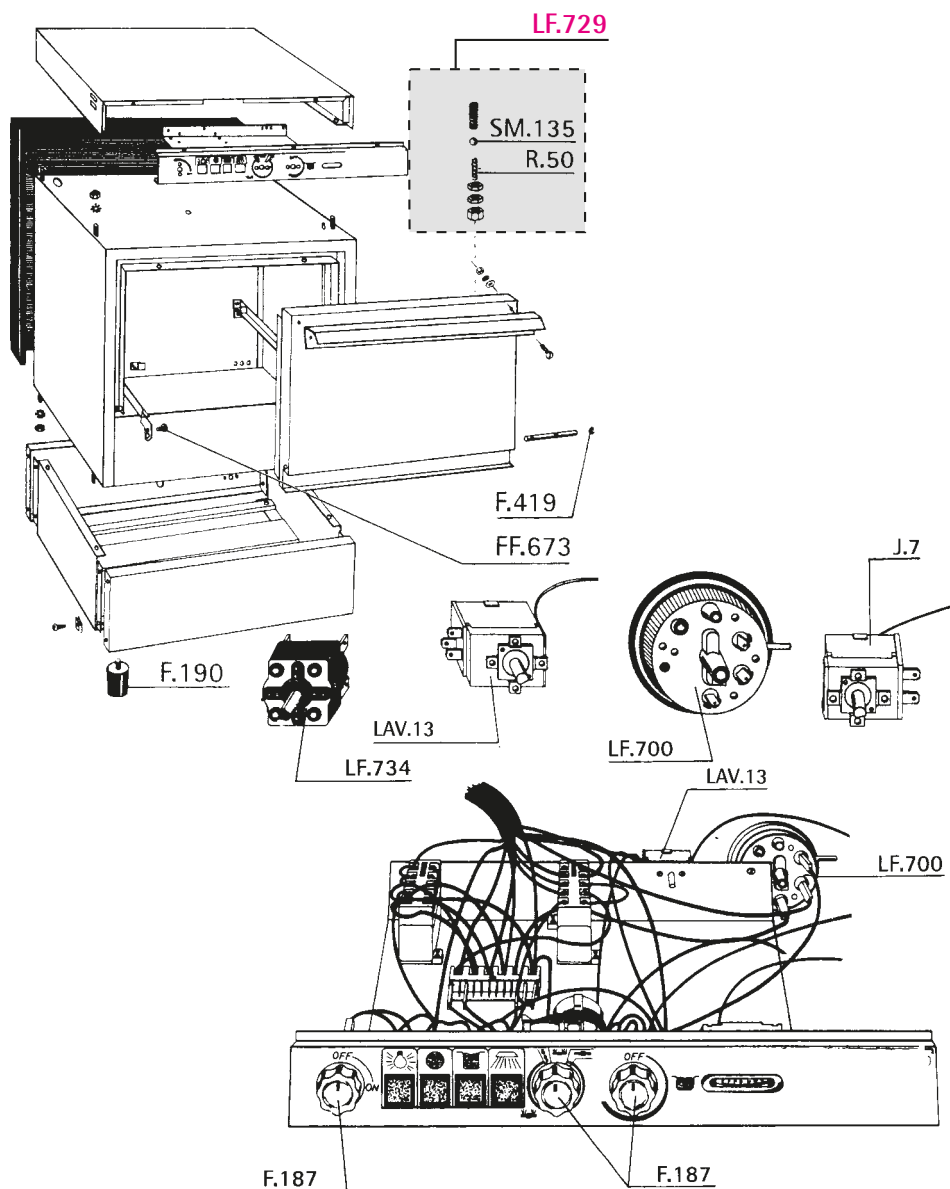


REF.	DESCRIPCIÓN	DESCRIPTION
LB..20	VOLANTE 29CM	29CM.ROTATING PLATE
LB..21	VOLANTE 40.5CM.	40.5CM. ROTATING PLATE
LB.228	RODAMIENTO 1200/1800	36/1200/1800 ROLLER
LB.229	RODAMIENTO 2500/3000	2500/3000 ROLLER
LF.676	TORICA	RING
LF.682	CESTO VASOS 36CMT	36 CM. GLASSES BASKET
LF.683	CESTO VASOS 45 CMT.	45 CM. GLASSES BASKET
LF.685	CESTO PLATOS 45 CMT.	45 CM. DISH BASKET
V...31	CESTO PLATOS 40 CMT	40 CM. DISH BASKET
V...32	CESTO CUCHARAS PLASTICO	PLASTIC SPOON BASKET
V.173	INSERTO PLATOS 30CMT.	30CMT DISHES INSERT
V.175	INSERTO PLATOS 42CMT.	42CMT DISHES INSERT
V..200	TUBO DESAGÜE 17mm 1,8mt	17mm. 1.8mt OUTLET PIPE
V..201	TUBO DESAGÜE 28mm. 1,5mt.	28mm. 1.5mt OUTLET PIPE
V.415	TOMA LAVADORA 1,5M	QUALITY 1.5M.INLET W.FLEX
V.526	CESTO CUCHARAS CUADRADO	SQUARE SPOON BASKET
V..546	JUNTA GOMA 3/4	WATER INLET RUBBER GASKET
V..815	TOMA LAVADORA 2 METROS	2 MT.INLET WATER FLEXIBLE
V..825	TOMA LAVADORA 1.5 "ECO"	"ECO"1.5M INLET WA.FLEXIB
V..848	TOMA LAVADORA 1.5M INOX	INOX 1.5M INLET WATER FL.
V..849	TOMA LAV.INOX 2MT.3/4X3/4	INOX 2MT.INLET WATER FLE.
V..964	INSERTO PLATOS 36cm	36cm DISHES INSERT

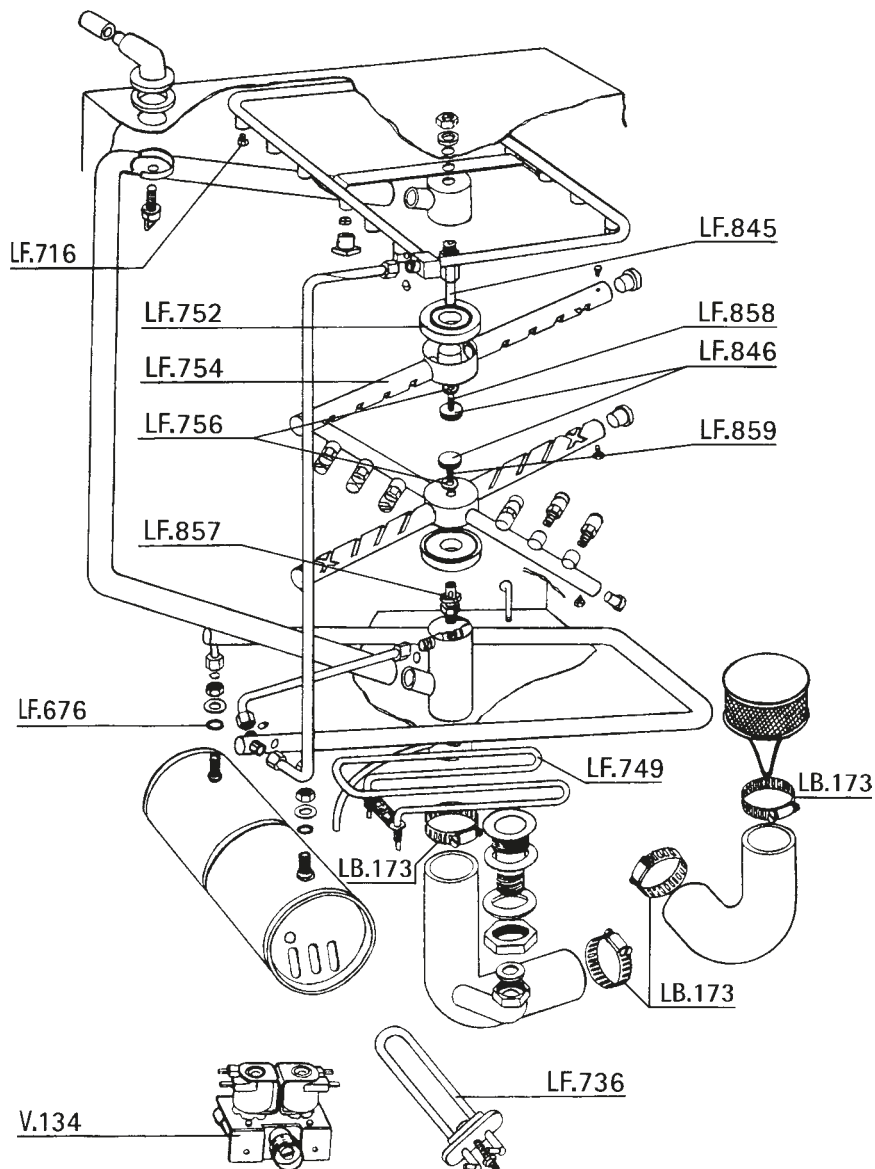
Good job.

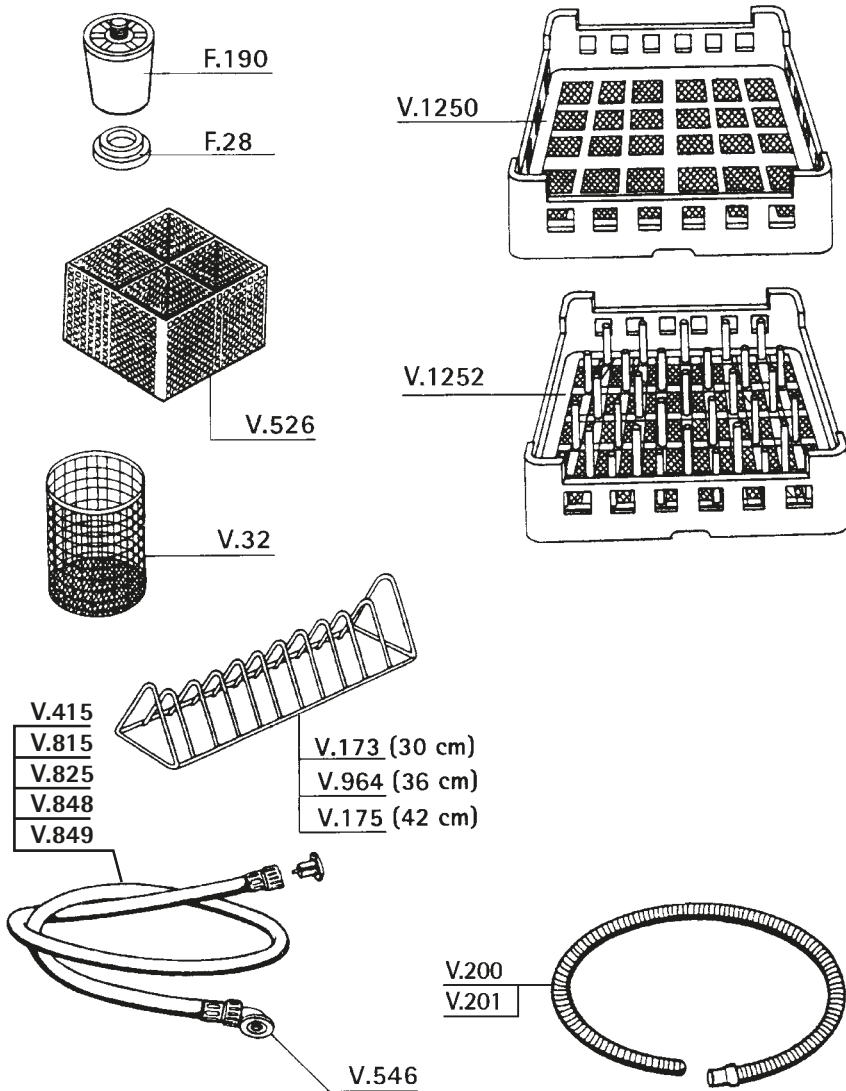


REF.	DESCRIPCIÓN	DESCRIPTION
F.187	POMO INTERRUPTOR NEGRO	BLACK SWITCH HANDLE
F.190	PIE DE APOYO	FOOT
F.419	ANILLO BENCING	BENCING RING
FF.673	TORNILLO	SCREW
J....7	TERMOSTATO 0-60°	0-60° THERMOSTAT
LAV.13	TERMOSTATO CALDERIN 90°	90° BOILER THERMOSTAT
LF.700	PRESOSTATO SAL/HOR.80/50°	50/80° HORIZ.PRESS SWITCH
LF.729	CIERRE PUERTA LT-4/5/LP14	LT4/5/LP14 CLOSING DOOR
LF.734	CONMUTADOR	SWITCH
R...50	MUELLE	SPRING
SM.135	ESFERA INOX 9,5mm	INOX SPHERE



REF.	DESCRIPCIÓN	DESCRIPTION
LB.173	ABRAZADERA 60-80	60-80 CLAMP
LF.676	TORICA	RING
LF.716	ESTRANGULADOR ACLARADO	RINSING SWIRL
LF.736	RESIST.CALDERIN 1500W 230V	BOILER RESISTANCE 1500W 230V
LF.749	RESIST.CUBA LP.14 2000W 230V	LP.14 TANK RESIST.2000W 230V
LF.752	GUIA DE GIRO LP.14	REVOLVING GUIDE
LF.754	CONJUNTO GIRATORIO	REVOLVING WHOLE
LF.756	ARANDELA TEFLON	TEFLON WASHER
LF.845	EJE GIRO SUPERIOR LP-14	LP-14 ROD
LF.857	JUNTA TEFLON	TEFLON GASKET
LF.858	JUNTA NYLON LP-14	LP-14 NYLON GASKET
LF.859	ARANDELA TEFLON	TEFLON WASHER
V.134	ELECTROVAL.3VIA LAV.220V	WASH 3 WAYS 220V SOLENOID





REF.	DESCRIPCIÓN	DESCRIPTION
F...28	DISCO GOMA	GUM DISK
F.190	PIE DE APOYO	FOOT
V...32	CESTO CUCHARAS PLASTICO	PLASTIC SPOON BASKET
V..173	INSERTO PLATOS 30CMT.	30CMT DISHES INSERT
V..175	INSERTO PLATOS 42CMT.	42CMT DISHES INSERT
V..200	TUBO DESAGÜE 17mm 1,8mt	17mm. 1.8mt OUTLET PIPE
V..201	TUBO DESAGÜE 28mm. 1,5mt.	28mm. 1.5mt OUTLET PIPE
V..415	TOMA LAVADORA 1,5M	QUALITY 1.5M.INLET W.FLEX
V..526	CESTO CUCHARAS CUADRADO	SQUARE SPOON BASKET
V..546	JUNTA GOMA 3/4	WATER INLET RUBBER GASKET
V..815	TOMA LAVADORA 2 METROS	2 MT.INLET WATER FLEXIBLE
V..825	TOMA LAVADORA 1.5 "ECO"	"ECO"1.5M INLET WA.FLEXIB
V..848	TOMA LAVADORA 1.5M INOX	INOX 1.5M INLET WATER FL.
V..849	TOMA LAV.INOX 2MT.3/4X3/4	INOX 2MT.INLET WATER FLE.
V..964	INSERTO PLATOS 36cm	36cm DISHES INSERT
V.1250	CESTA VASOS 50X50	50X50 GLASSES RACK
V.1252	CEST.PLATOS-BANDEJA 50X50	PLATES AND TRAYS RACK

Modelos compatibles DIHR ■ DIHR compatible models

GRANITA	DIHR
ALFA 33	G35
ALFA 40 SLV	GS37
ALFA 41 P	GS37 LS
ALFA 42 SLV	GS40
ALFA 42 P	GS40LS
ALFA 50	GS50
ALFA 60	GS85
ALFA 70	G600
ALFA 800	HT11 ECO
ALFA 1000	HT11
ALFA 1300	HT12

REF.	DESCRIPCIÓN	DESCRIPTION
------	-------------	-------------

Índice HOBART index

Sistema lavado/aclarado (1)	Wash and rinse systems (1)	1000
Sistema lavado/aclarado (2)	Wash and rinse systems (2)	1001
Depuración	Softeners	1002
Depuración / Cámara presostática	Softeners / Air traps	1003
Rebosaderos / Sistema filtros	Drain / Filter systems	1004
Componentes puerta	Door componentes	1005
Interruptores / Programadores	Switches / Timers	1006
Programadores / Termostatos	Timers / Pressure switches	1007
Presostatos / Termostatos	Pressure switches / Thermostats	1008
Termostatos / Sondas	Thermostats / Sensors	1009
Sondas / Microinterruptores / Interruptores magnéticos	Sensors / Micro switches / Magnetic switches	1010
Interruptores magnéticos / Electroválvulas	Magnetics switches / Solenoid valves	1011
Electroválvulas / Relés / Dosificador abrillantador	Solenoid valves / Relays / Dosing pumps	1012
Dosificador abrillantador / Resistencias	Dosing pumps / Heating elements	1013
Resistencias / Bomba desagüe	Heating elements / Drain pumps	1014
Bombas / Componentes motor	Pumps / Motor components	1015

1000 Sistema lavado/Aclarado ■ Wash and rinse systems



Código Code	Descripción Description	Modelo Model	Código original Original code
LZ.9	Giratorio completo Wash and rinse arm, compl.	GW	139321-112
LZ.10	Eje brazo aclarado Rinse arm shaft		139321-113
LZ.11	Soporte brazo lavado Wash arm holder		139321-111
LZ.12	Manguito Gasket (pressure hose)		139321-110



Código Code	Descripción Description	Modelo Model	Código original Original code
LZ.13	Cruz brazo lavado Wash arm cross	GW	139321-35
LZ.14	Brazo lavado derecho Wash arm / right		139321-29R
LZ.15	Brazo lavado izquierdo Wash arm / left		139321-29L
LZ.16	Brazo lavado derecho Rinse arm / right		139321-30R
LZ.17	Brazo lavado izquierdo Rinse arm / left		139321-30L
LZ.18	Aspersor lavado Wash nozzle		139321-32
LZ.19	Tuerca aspersor lavado Union nut / wash nozzle		139321-31
LZ.20	Aspersor aclarado Rinse nozzle		139321-34
LZ.21	Tuerca aspersor aclarado Union nut / rinse nozzle		139321-33



Código Code	Descripción Description	Modelo Model	Código original Original code
LZ.22	Brazo aclarado completo Rinse arm, compl.	GW	139321-139
LZ.23	Brazo aclarado derecho Rinse arm / right		139321-44R
LZ.24	Brazo aclarado izquierdo Rinse arm / left		139321-44L
LZ.20	Aspersor aclarado Rinse nozzle		139321-34
LZ.26	Tuerca aspersor aclarado Union nut (rinse arm)		139321-33



Código Code	Descripción Description	Modelo Model	Código original Original code
LZ.27	Brida rociador lavado Wash nozzle holder / fixed arm	GW	139321-139
LZ.28	Aspersor lavado Wash nozzle		139321-97
LZ.30	Tornillo giratorio Ring screw		139321-107
LZ.31	Tapón Cover		139321-28



Código Code	Descripción Description	Modelo Model	Código original Original code
HB.1	Brazo aclarado completo Rinse arm compl.	GF	371450-174
HB.2	Arandela Disk	---	---
HB.3	Aspersor aclarado Rinse nozzle	---	371450-172
HB.4	Tapón End cap	---	371450-171
HB.5	Brazo lavado superior Wash arm upper	---	371450-175
HB.6	Brazo lavado inferior Wash arm lower	---	371450-168



Código Code	Descripción Description	Modelo Model	Código original Original code
HB.13	Soporte brazo lavado Wash arm holder	GF	---
HB.14	Junta Gasket	---	---
HB.15	Junta Gasket	---	---
HB.16	Tubo aclarado Rinse pipe	---	---
HB.17	Soporte brazo Supporting arm	---	---



Código Code	Descripción Description	Modelo Model	Código original Original code
HB.7	Adaptador brazo lavado superior Wash arm bearing upper	GF	371450-138
HB.8	Adaptador brazo lavado inferior Wash arm bearing lower	---	371450-167
HB.9	Junta Bearing ring	---	371450-166
HB.10	Soporte Holder	---	371450-165
HB.11	Junta O-ring	---	371450-164
HB.12	Soporte Holder	---	371450-162

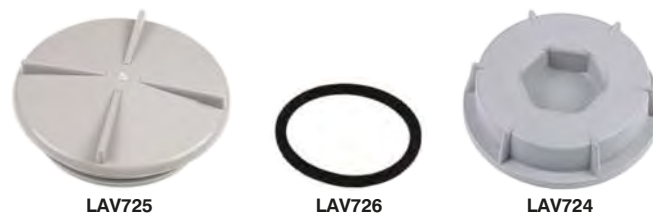


Código Code	Descripción Description	Modelo Model	Código original Original code
HB.3	Aspersor aclarado Rinse nozzle	GF	---
HB.4	Tapón End cap	---	---

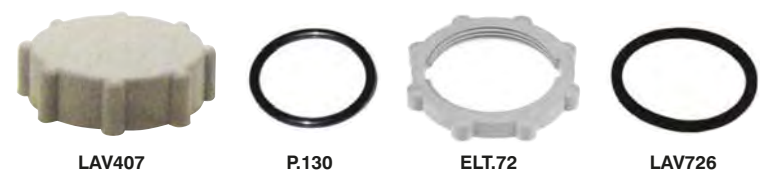
Depuración ■ Softeners 1002



Código Code	Descripción Description	Modelo Model	Código original Original code
LAV901	Depósito sal Salt container, compl.	GW	139321-195
LZ.112	Depósito sal Salt container, compl.	---	---



Código Code	Descripción Description	Modelo Model	Código original Original code
LAV725	Tapón Cap	GW	139321-123
LAV726	Junta Gasket	---	139321-194
LAV724	Tuerca Nut	---	139321-217



Código Code	Descripción Description	Modelo Model	Código original Original code
LAV407	Tapón depósito Cap	GW	139321-191
P.130	Junta Gasket	---	139321-192
ELT.72	Tuerca Nut	---	139321-193
LAV726	Junta Gasket	---	139321-194



Código Code	Descripción Description	Modelo Model	Código original Original code
LAV900	Depurador Purifier	GW	139321-242

45 años ofreciendo



calidad, servicio y competitividad.



LZ.120

LZ.121

Código Code	Descripción Description	Modelo Model	Código original Original code
LZ.120	Depósito completo conexión lateral Container, compl. / connection on the side	GW	139321-183
LZ.121	Depósito completo conexión frontal Container, compl. / connection in the front		—



HB.18

HB.19

HB.20

Código Code	Descripción Description	Modelo Model	Código original Original code
HB.18	Soporte pared Wall bracket	GF	—
HB.19	Depósito Container		—
HB.20	Tapón depósito Container lid		—

**Cámara presostática
Air traps**



FA.875

LAV660

LZ.124

LZ.125

Código Code	Descripción Description	Modelo Model	Código original Original code
FA.875	Junta O-ring	GW	139321-178
LAV660	Racor conexión Connection fitting		139321-202
LZ.124	Racor Eye bolt		139321-180
LZ.125	Junta Gasket		139321-155



LAV655

FA.875

LAV660

LZ.148

LZ.124

Código Code	Descripción Description	Modelo Model	Código original Original code
LAV655	Cámara presostática Air trap, compl.	GW	139321-47
FA.875	Junta O-ring		139321-178
LAV660	Racor conexión Connection fitting		139321-202
LZ.148	Tuerca unión Union nut		—
LZ.124	Racor Eye bolt		139321-180



LZ.164

LZ.166

LZ.167

Código Code	Descripción Description	Modelo Model	Código original Original code
LZ.164	Rebosadero Over flow pipe	GW	139321-157
LZ.166	Junta O-ring		139321-49
LZ.167	Filtro completo Filter pump / compl.		139321-156



HB.21

Código Code	Descripción Description	Modelo Model	Código original Original code
HB.21	Tubo presión Pressure hose	GF	—



LZ.168

LZ.169

Código Code	Descripción Description	Modelo Model	Código original Original code
LZ.168	Filtro exterior Outer filter	GW	139321-50
LZ.169	Filtro interior Inner filter		139321-51



LZ.170

LZ.171

LZ.172

Código Code	Descripción Description	Modelo Model	Código original Original code
LZ.170	Fijador Fixing	GW	139321-158
LZ.171	Junta O-ring		139321-52
LZ.172	Cuerpo filtro Intake body		139321-159



Código Code	Descripción Description	Modelo Model	Código original Original code
LZ.222	Bisagra derecha Hinge / right	GW	139321-145R
LZ.223	Bisagra izquierda Hinge / left		139321-145L
LZ.224	Placa bisagra derecha Hinge camp / right		139321-146R
LZ.225	Placa bisagra izquierda Hinge camp / left		139321-146L



Código Code	Descripción Description	Modelo Model	Código original Original code
HB.22	Bisagra Hinge	GF	—
HB.23	Casquillo Bush		—
HB.24	Varilla Axis		—
HB.25	Tope Castor		—
HB.26	Muelle Spring		—
HB.27	Muelle 130 Spring 130		—



Código Code	Descripción Description	Modelo Model	Código original Original code
HB.28	Bisagra derecha Hinge / right	FX, GX	324002-1
HB.29	Bisagra izquierda Hinge / left		324002-2
HB.30	Casquillo Bush		228693-1
HB.31	Muelle Spring	FX, GX, FE	227855
HB.32	Muelle Spring	FX20EB / ESB	378622-1



Código Code	Descripción Description	Modelo Model	Código original Original code
LAV817	Cierre puerta Door closing	GW	139321-24
LAV714	Soporte cierre Door catch		139321-25

Interruptores / Programadores ■ Switches / Timers 1006



Código Code	Descripción Description	Modelo Model	Código original Original code
HB.33	Interruptor operador Operation switch	GF	371450-172

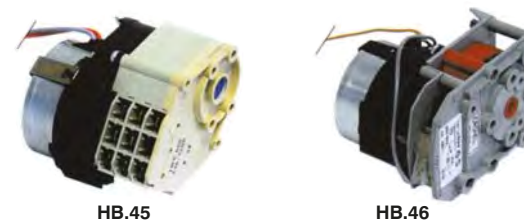


Código Code	Descripción Description	Modelo Model	Código original Original code
HB.34	Pulsador 1 cierre + 1 apertura Pushbutton, 1 closer + 1 opener	—	324267-2
HB.35	Interruptor 1 cierre + 1 apertura Switch, 1 closer + 1 opener	—	324267-4
HB.36	Pulsador 2 cierres + 2 aperturas Pushbutton, 2 closer + 2 opener	—	324267-5
HB.37	Interruptor 2 cierres + 2 aperturas Switch, 2 closer + 2 opener	—	324267-3
HB.38	Botón interruptor/pulsador Trigger	—	324266-1



Código Code	Descripción Description	Modelo Model	Código original Original code
HB.39	Serigrafía reloj Cap (clock)	GF, FX, GX, HE, FE	324265-1
HB.40	Serigrafía marcha Cap		324265-10
HB.41	Serigrafía continuo Cap / continuous operation		324265-11
HB.42	Serigrafía aclarado Cap		324265-12
HB.43	Piloto 60V Lamp, 60V		774054-1
HB.44	Piloto 48V Lamp, 48V		774054-3

Programadores Timers



Código Code	Descripción Description	Modelo Model	Código original Original code
HB.45	Programador 150" 3 micros 150" 3 micros timer	GW600, GW600S, GW601, GW601S	139321-226
HB.46	Programador 20" (regeneración) 20" (regeneration)		139321-225



HB.47

HB.48

Código Code	Descripción Description	Modelo Model	Código original Original code
HB.47	Programador 20' 20' timer	GF60, GF60S	371-450-171
HB.48	Programador 120" 120" timer	HE, FE	323936-5



HB.51

HB.52

Código Code	Descripción Description	Modelo Model	Código original Original code
HB.51	Presostato 35/20 35/20 pressure switch	FX, GX, HX	231981-3
HB.52	35/20 presostato contactos oro/plata 35/20 (gold-plated contacts)	FXE, HXE	378758-3

Presostatos
Pressure switches



LAV625

HB.49

HB.50

Código Code	Descripción Description	Modelo Model	Código original Original code
LAV625	Presostato 55/35 55/35 pressure switch	GW_, GF	139321-23
HB.49	Presostato 110/15 110/15 pressure switch	GF	371450-8
HB.50	Presostato 170/140 170/140 pressure switch	LF	371450-9



HB.53

Código Code	Descripción Description	Modelo Model	Código original Original code
HB.53	Presostato 40/25, 57/37, 125/105 40/25, 57/37, 125/105 pressure switch	HE, FE	231981-1



HB.54

HB.55

Código Code	Descripción Description	Modelo Model	Código original Original code
HB.54	40/25, 57/42, 125/105 (contactos oro) 40/25, 57/42, 125/105 (gold-contact)	AMX-E, AUX-E	378758-4
HB.55	Presostato 40/25, 57/42, 125/105 40/25, 57/42, 125/105 pressure switch	AMX, AUX	378760-3



HB.56

HB.57

Código Code	Descripción Description	Modelo Model	Código original Original code
HB.56	35/25, 80/60 (contactos oro) 35/25, 80/60 (gold-contact)	AMX-E, AUX-E	378758-6
HB.57	Presostato 35/25, 80/60 35/25, 80/60 pressure switch	AMX, AUX	231981-6

Termostatos
Thermostats



HB.58

HB.59

Código Code	Descripción Description	Modelo Model	Código original Original code
HB.58	Termostato 30° - 90°C 30° - 90°C thermostat	GW	139321-19
HB.59	Termostato 0° - 85°C 0° - 85°C thermostat		139321-20



V.971

HB.61

Código Code	Descripción Description	Modelo Model	Código original Original code
V.971	Termostato 30° - 85°C 30° - 85°C thermostat	GF	371450-15
HB.61	Termostato 95°C / fixed 95°C / fixed thermostat	FX, GX, XE, HE, FE	226505



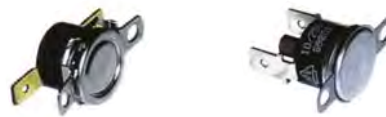
HB.62

Código Code	Descripción Description	Modelo Model	Código original Original code
HB.62	Termostato 125°C 125°C P thermostat	FXE_, HXE_	227879



HB.63

Código Code	Descripción Description	Modelo Model	Código original Original code
HB.63	Termostato seguridad, 100°C Safety thermostat, 100°C	FX_K	378791



HB.64

HB.65

Código Code	Descripción Description	Modelo Model	Código original Original code
HB.64	Termostato 60°C 60°C thermostat	GF	371450-16
HB.65	Termostato seguridad, 110°C Safety thermostat, 110°C		371450-17

Sondas
Sensors



HB.66



HB.67

Código Code	Descripción Description	Modelo Model	Código original Original code
HB.66	Sonda temperatura Temperature sensor	FX, FX-E, HX	324325, 378584
HB.67	Sonda temperatura Temperature sensor	FM	298543-2

Sondas / Microinterruptores / Interruptores magnéticos ■ Sensors / Micro switches / Magnetic switches 1010



HB.68



HB.69

Código Code	Descripción Description	Modelo Model	Código original Original code
HB.68	Electrodo Electrode	FX, GX, HX	324214, 886612
HB.69	Electrodo Electrode	FM	299956-4



HB.72

Código Code	Descripción Description	Modelo Model	Código original Original code
HB.72	Microinterruptor Micro switch	AM-600, AM-600C	228795

Interruptor / Microinterruptores
Switch / Microswitches



HB.70



HB.71

Código Code	Descripción Description	Modelo Model	Código original Original code
HB.70	Interruptor 1 polo 1 - pole - changer	GW_	139321-41
HB.71	Microinterruptor Micro witch	FX, GX, FE	324195, 735221-1

Interruptores magnéticos
Magnetic switches



HB.73



HB.74

Código Code	Descripción Description	Modelo Model	Código original Original code
HB.73	Microinterruptor 13 x 32mm 13 x 32mm micro switch	GF	139321-344
HB.74	Microinterruptor 30 x 80mm, 0,2A 30 x 80mm, 0,2A micro switch	HE, HX	229517-2

45 years offering



quality, service and competitiveness.



HB.75

HB.76

Código Code	Descripción Description	Modelo Model	Código original Original code
HB.75	Microinterruptor 30 x 80mm, 3A 30 x 80mm, 3A micro switch	HX_E, HX-ES	297980-3
HB.76	Microinterruptor 30 x 80mm, 3A 30 x 80mm, 3A micro switch	AMX, AUX, AMX-E, AUX-E	297980-4



HB.77

Código Code	Descripción Description	Modelo Model	Código original Original code
HB.77	Interruptor nivel Level switch	FE	7740331, 7740471 ML102831

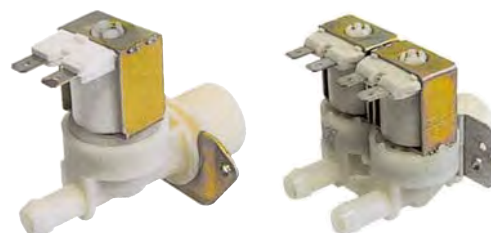
Electroválvulas / Solenoid valves



V.133

V.134

Código Code	Descripción Description	Modelo Model	Código original Original code
V.133	Electroválvula 2 vías 2 - fold, 230V	GW	139321-65
V.134	Electroválvula 3 vías 3 - fold, 230V, with reduction	GW	139321-1



V.132

V.133

Código Code	Descripción Description	Modelo Model	Código original Original code
V.132	Electroválvula 1 vía 1 - fold, 230V with reduction	GF	371450-22
V.133	Electroválvula 2 vías 2 - fold, 230V, with reduction	GF	371450-20



V.1577, HB.78

V.1578, HB.79, HB.80

Código Code	Descripción Description	Modelo Model	Código original Original code
V.1577	Electroválvula 1 vía 1 - fold, 230V	FX, GX, HX, FE	324207-1
HB.78	Electroválvula 1 vía 1 - fold, 230V, with reduction		324207-2
V.1578	Electroválvula 2 vías 2 - fold, 230V		324208-1
HB.79	Electroválvula 2 vías 2 - fold, 230V, with reduction	FX, GX	324208-1
HB.80	Electroválvula 2 vías 2 - fold, 230V, with reduction		324208-5

Relés
Relays

HB.81

HB.82

HB.83

Código Code	Descripción Description	Modelo Model	Código original Original code
HB.81	Relé 10A 3 changer, 10A relay	GF	139321354
HB.82	Relé 20A 1 closer + 1 opener, 20A relay		371450-11
HB.83	Relé 30A 1 closer, 30A relay		139321-395

Relé temporizador
Time relays

HB.84

HB.85

HB.86

Código Code	Descripción Description	Modelo Model	Código original Original code
HB.84	Relé 3 - 30sec. 3 - 30sec. relay	FX, GX, HE	228180-1
HB.85	Relé 0,5 - 5sec. 0,5 - 5sec. relay		228180-3
HB.86	Relé Relay	HE	774103-2

Dosificador abrillantador
Dosing pumps

LAV898

LAV405

H25211

Código Code	Descripción Description	Modelo Model	Código original Original code
LAV898	Dosificador abrillantador 230V Dosing pump, 230V	—	297891, 139321-39, 139321-427
LAV405	Bobina 230V Solenoid coil, 230V		139321-40
H25211	Válvula abrillantador Valve		—



HB.87

HB.88

Código Code	Descripción Description	Modelo Model	Código original Original code
HB.87	Dosificador detergente Dosing pump, 230V, Delta 10' (detergent)	AM600, AM600C	172927-1
HB.88	Dosificador abrillantador Dosing pump, 230V (cleaner)	FM_, AM	228022-1



HB.92

HB.93

Código Code	Descripción Description	Modelo Model	Código original Original code
HB.92	Resistencia 2700W, 230V 2700W, 230V resistance	GF	371450-13
HB.93	Resistencia 4500W, 3 x 230V 4500W, 3 x 230V resistance		371450-12

**Resistencias
Heating elements**



HB.89

HB.90

HB.91

Código Code	Descripción Description	Modelo Model	Código original Original code
HB.89	Resistencia 2000W, 230V 2000W, 230V resistance	GW	139321-303
HB.90	Resistencia 2625W, 230V 2625W, 230V resistance		139321-246, 139321-240, 139321-36
HB.91	Resistencia 1250W, 230V 1250W, 230V resistance	GF	371450-37



HB.94

HB.95

HB.96

Código Code	Descripción Description	Modelo Model	Código original Original code
HB.94	Resistencia 2700W, 230V 2700W, 230V resistance	FX, GX	324187-2
HB.95	Resistencia 610W, 254V 610W, 254V resistance	HX, HE, AUX, AMX	231982-9
HB.96	Resistencia 610W, 440V 610W, 440V resistance		231982-10

Resistencias / Bombas desagüe ■ Heating elements / Drain pumps 1014



HB.97, HB.98

HB.99, HB.100

HB.101, HB.102,
HB.103, HB.104

Código Code	Descripción Description	Modelo Model	Código original Original code	
HB.97	2000W, 230V (2440W, 254V) 2000W, 230V (2440W, 254V)	AUX, AMX	324644-2	
HB.98	3000W, 230V (3270W, 254V) 3000W, 230V (3270W, 254V)		324644-1	
HB.99	4000W, 2 x 230V (4880W, 254V) 4000W, 2 x 230V (4880W, 254V)		324637-2	
HB.100	6000W, 2 x 230V (6540W, 254V) 4000W, 2 x 230V (4880W, 254V)		324637-1	
HB.101	1500W, 230V (1830W, 254V) 1500W, 230V (1830W, 254V)	GX-FX, HX, HE, FE	324646-1	
HB.102	2000W, 230V (2440W, 254V) 2000W, 230V (2440W, 254V)		324646-2	
HB.103	2500W, 230V (3050W, 254V) 2500W, 230V (3050W, 254V)		324646-3	
HB.104	3000W, 230V (3270W, 254V)			324646-4
	3000W, 230V (3270W, 254V)			



HB.109

HB.110

HB.111

HB.112

Código Code	Descripción Description	Modelo Model	Código original Original code
HB.109	Resistencia 3000W, 3 x 230V 3000W, 3 x 230V resistance	AM_	226807-1, 226807-2
HB.110	Resistencia 6000W, 3 x 230V 6000W, 3 x 230V resistance		170495-1, 170495-2
HB.111	Resistencia 7000W, 3 x 230V 7000W, 3 x 230V resistance		173649-1, 173649-2
HB.112	Resistencia 9000W, 3 x 230V 9000W, 3 x 230V resistance		226506-1, 226506-2

**Bombas desagüe
Drain pumps**



HB.113

HB.114

Código Code	Descripción Description	Modelo Model	Código original Original code
HB.113	1000W, 230V Bomba desagüe 1000W, 230V Drain pump	GF	371450-1
HB.114	230V Bomba desagüe 230V Drain pump	—	165653-1



HB.105

HB.106

HB.107

HB.108

Código Code	Descripción Description	Modelo Model	Código original Original code
HB.105	Resistencia 2200W, 230V 2200W, 230V resistance	GX, FX, HX, HE	324206-3
HB.106	Resistencia 4500W, 3 x 230V 4500W, 3 x 230V resistance		324206-1
HB.107	Resistencia 7500W, 3 x 230V 7500W, 3 x 230V resistance		324206-2, 324206-5
HB.108	Resistencia 9000W, 3 x 230V 9000W, 3 x 230V resistance		324206-27



Código Code	Descripción Description	Modelo Model	Código original Original code
HB.115	Bomba 75W, 230V 75W, 230V pump	GX, FX, HX, HE, FE	324093-1
HB.116	Bomba 230V 230V pump	---	324093-21
HB.117	Bomba 230V 230V pump	GF	371450-189

Bombas lavado Wash pumps



Código Code	Descripción Description	Modelo Model	Código original Original code
HB.118	Bomba 040PS, 230V 040PS, 230V pump	GW	139321-62
HB.119	Bomba 230V 230V pump	GF	371450-2



Código Code	Descripción Description	Modelo Model	Código original Original code
HB.120	Bomba 0,55kW, 230V 0,55kW, 230V pump	HE, FE	774047-1

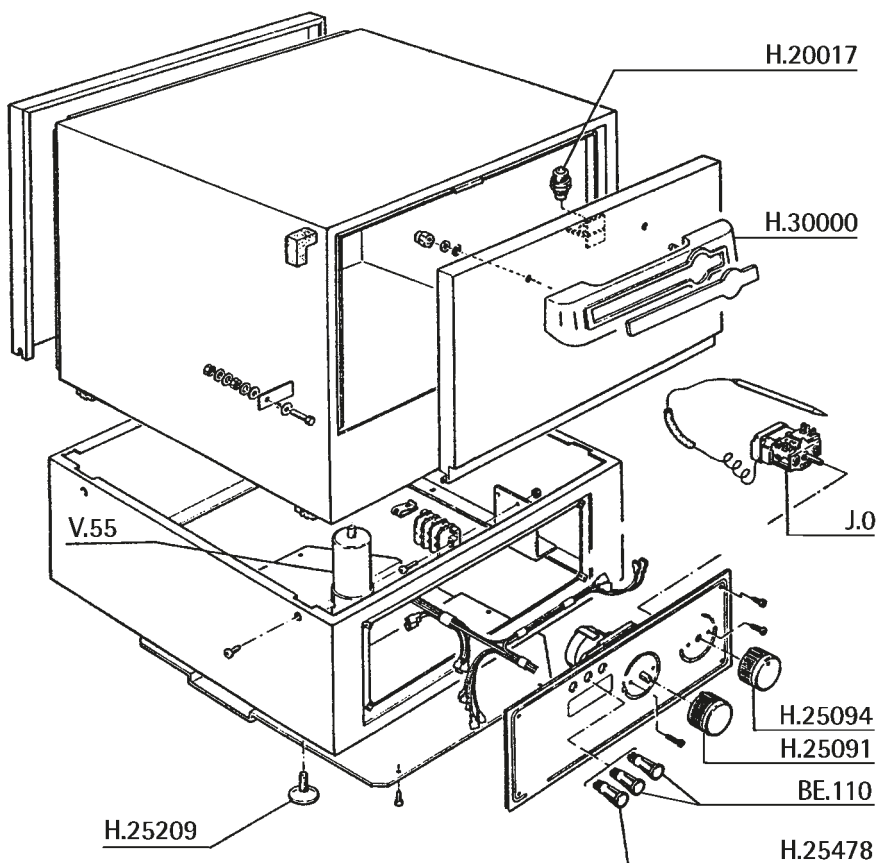
Componentes motor Motor components



Bombas Pumps		1 Turbina Impellor		2 Retén Axial face seal		3 Junta tapa Pump cover		4 Tapa Pump cover		5 Condensador Condenser	
Código Code	Código original Original code	Código Code	Código original Original code	Código Code	Código original Original code	Código Code	Código original Original code	Código Code	Código original Original code	Código Code	Código original Original code
HB.118	139321-62	HB.121	139321-10	WIN192	139321-12	HB.130	139321-11	HB.135	139321-81	HB.139	139321-9
HB.115	324093-1	HB.122		MAC300		HB.131		HB.136		LAM218	226568-9
HB.116	324093-21	HB.123				HB.132				LAM218	226568-9
HB.119	371450-2	HB.124	371450-76	WIN192	139321-12	HB.133	371450-77			HB.141	371450-79
HB.120	774047-1	HB.125	774047-12	WIN192	774047-11	HB.134	774047-10	HB.138	774047-14	WIN207	226568-8

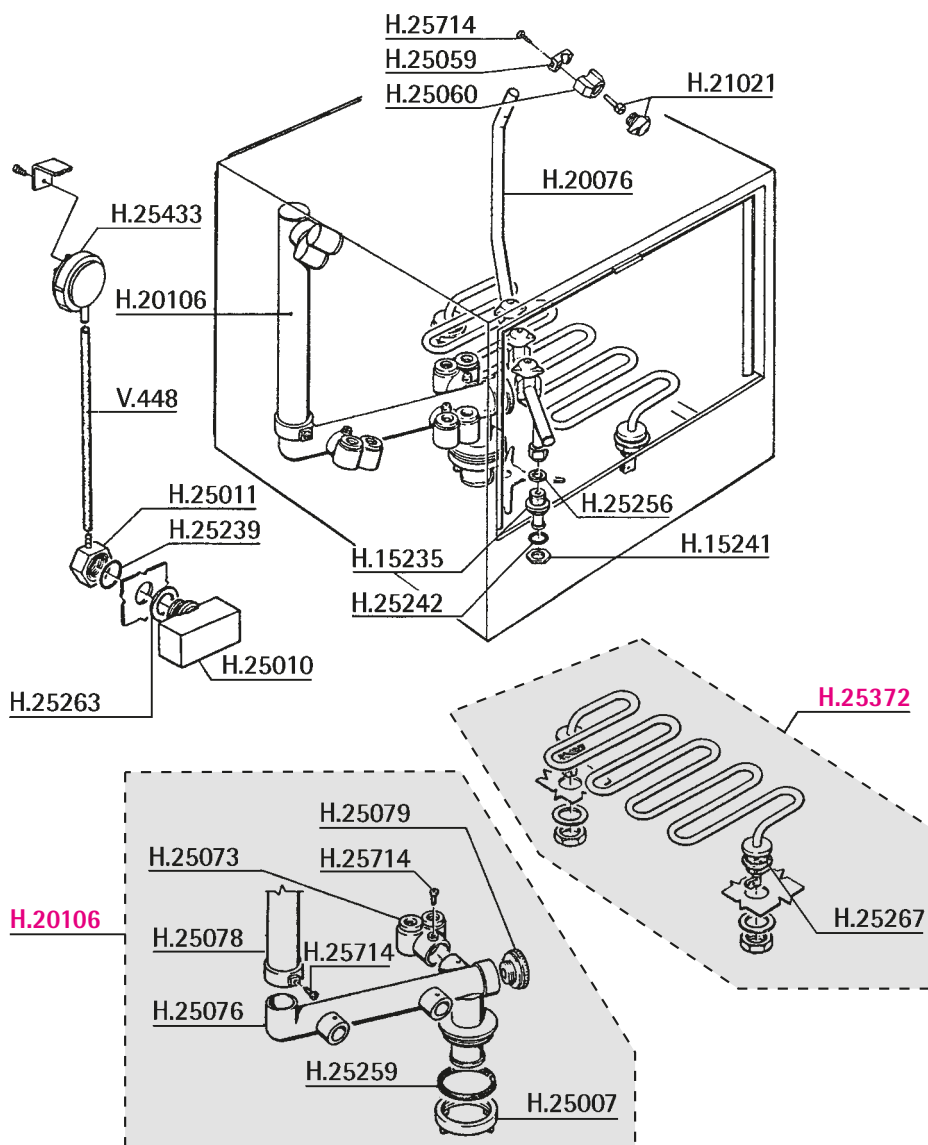
Índice HOONVED index

Serie E antiguos	E Old serie	1017-1028
Serie E modernos / Serie NK-CM	E New series / NK-CM Series	1029-1043
Serie T	T Serie	1044-1050
Serie TS	TS Serie	1051-1057
C3 - C4	C3 - C4	1058-1061
Serie UNI	UNI Serie	1062-1071
Carrocería / Componentes eléctricos C35 - SPB35	C35 - SPB35 Electric components / Bodywork	1072
Componentes eléctricos C35 - SPB35	C35 - SPB35 Electric components	1073
Calderín / Resistencia / Giratorio C35 - SPB35 Antiguo	Old C35 - SPB35 Giratory / Resistance / Boiler	1074
Calderín / Resistencia / Giratorio C35 - SPB35	C35 - SPB35 Giratory / Resistance / Boiler	1075
Giratorio C35 - SPB35	C35 - SPB35 Giratory	1076
Bomba / Desagüe C35 - SPB35	C35 - SPB35 Drain / Pump	1077
Mandos C-CR-ST5	C-CR-ST5 Handles	1078
Lavado / Aclarado / Calderín C-43-48 Antiguo	Old C-43-48 Boiler / Rinse / Wash	1079
Lavado / Aclarado / Calderín C-53-60 Antiguo	Old C-53-60 Boiler / Rinse / Wash	1080
Aclarado / Calderín CR-43-48 Antiguo	Old CR-43-48 Boiler / Rinse / Wash	1081
Lavado CR43-48 Antiguo	Old CR 43-48 Wash	1082
Filtros / Motor C-CR 43-48 Antiguo	Old C-CR 43-48 Motor / Filters	1083
Filtros / Motor C-53 Antiguo	Old C-53 Motor / Filters	1084
Filtros / Motor C-60 Antiguo	Old C-60 Motor / Filters	1085
Serie STS antigua	STS old serie	1086-1090
Carrocería / Componentes eléctricos C43E - C46E - SP35E - SP40E	C43E - C46E - SP35E - SP40E Electric components / Bodywork	1091
Puerta C43E - C46E - SP35E / SP40E	C43E - C46E - SP35E - SP40E Door	1092
Componentes eléctricos C43E - C46E - SP35E - SP40E	C43E - C46E - SP35E - SP40E Electric components	1093
Calderín / Resistencia C43E - C46E - SP35E - SP40E	C43E - C46E - SP35E - SP40E Resistance / Boiler	1094
Calderín / Resistencia / Bomba desagüe C43ED - C46ED - SP35ED - SP40ED	C43ED - C46ED - SP35ED - SP40ED Resistance / Boiler / Drain pump	1095
Motor / Filtro / Resistencia C43ED - C46ED - SP35ED - SP40ED	C43ED - C46ED - SP35ED - SP40ED Resistance / Filter / Motor	1096
Giratorio C43E - C46E - SP35E / SP40E	C43E - C46E - SP35E - SP40E Giratory	1097
Carrocería C6E - C53E -C60E - SP5E - SP45E - SP50E	C6E - C53E -C60E - SP5E - SP45E - SP50E Bodywork	1098
Puerta C6E - C53E -C60E - SP5E - SP45E - SP50E	C6E - C53E -C60E - SP5E - SP45E - SP50E Door	1099
Componentes eléctricos C6E - C53E -C60E - SP5E - SP45E - SP50E	C6E - C53E -C60E - SP5E - SP45E - SP50E Electric components	1100
Calderín / Resistencia C6E - C53E -C60E - SP5E - SP45E - SP50E	C6E - C53E -C60E - SP5E - SP45E - SP50E Resistance / Boiler	1101
Motor / Filtro / Resistencia C6E - C53E -C60E - SP5E - SP45E - SP50E	C6E - C53E -C60E - SP5E - SP45E - SP50E Resistance / Filter / Motor	1102
Resistencia / Calderín / Depurador C6ED - C53ED - C60ED - SP5ED - SP45ED - SP50ED	C6ED - C53ED - C60ED - SP5ED - SP45ED - SP50ED Purifier / Boiler / Resistance	1103
Giratorio C6E - SP5E	C6E - SP5E Giratory	1104
Lavado / Aclarado C53E -C60E - SP45E - SP50E	C53E -C60E - SP45E - SP50E Rinse / Wash	1105
Motor C6E - C53E -C60E - SP5E - SP45E - SP50E	C6E - C53E -C60E - SP5E - SP45E - SP50E Motor	1106
Serie STS moderna	STS Modern serie	1107-1118
Serie APS / APSE	APS / APSE Series	1119-1133
ED-650S / ED-650E	ED-650S / ED-650E	1134-1137
CAP7	CAP7	1138-1144
CAP10 - CAP12	CAP10 - CAP12	1145-1153
Bombas abrillantador	Brightness pump	1154
Cestos	Baskets	1155



REF.	DESCRIPCIÓN	DESCRIPTION
BE.110	PILOTO AMBAR 13mm 220V	13mm 220V YELLOW LAMP
H20017	CIERRE PUERTA	CLOSING DOOR
H25091	POMO INTERRUPTOR	SWITCH HANDLE
H25094	POMO OVALADO	OVAL HANDLE
H25209	PIE MAQUINA	MACHINE FOOT
H25478	PILOTO ROJO 13MM 220V	13mm 220 RED WARNING LAMP
H30000	MANETA PUERTA	DOOR HANDLE
J....0	TERMOSTATO 0-90°	0-90° THERMOSTAT
V...55	CONDENSADOR 10 MF 220V	220V 10MF.CONDENSER

Lavado / Aclarado E-36 Antiguo ■ Old E-36 Rinse / Wash 1018



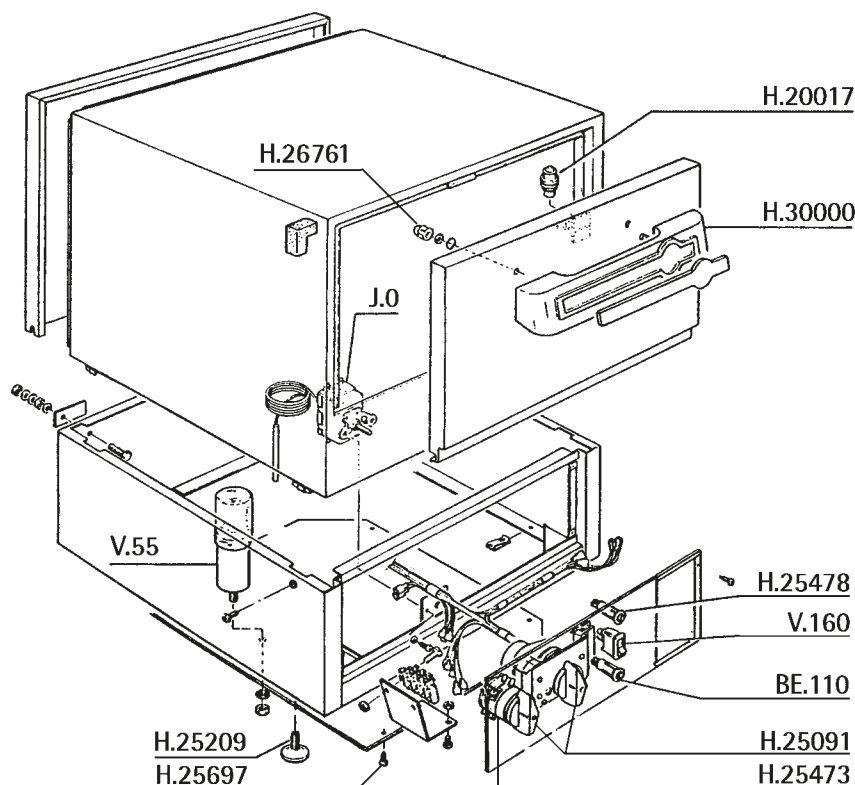
REF.	DESCRIPCIÓN	DESCRIPTION
H15235	SOPORTE ASTA ACLARADO	RINSING ARM SUPPORT
H15241	TUERCA	NUT
H20076	ASTA ACLARADO	RINSE ARM
H20106	ASTA LA.E36/40/43UNI-CM43	E36/40/43UNI-CM43 WAS.ARM
H21021	RACOR ACLARADO	RINSE FITTING
H25007	TUERCA PLASTICO	PLASTIC NUT
H25010	CAMARA PRESOSTATICA	PRESSURE SWITCH CHAMBER
H25011	RACOR PLASTICO	FITTING
H25059	BRIDA INFERIOR ROCIADOR	LOWER CLASP
H25060	BRIDA SUPERIOR ROCIADOR	UPPER CLASP
H25073	ROCIADOR LAVADO	WASHING SPRAY
H25076	BRAZO INFERIOR ASTA	LOWER ARM
H25078	TUBO SUP.ASTA LAVADO	WASHING ARM UPPER PIPE
H25079	TUERCA ASTA	ARM NUT
H25239	TORICA CIERRE	CLOSING RING
H25242	TORICA GOMA	RUBBER RING
H25256	JUNTA PLANA GOMA	FLAT RUBBER GASKET
H25259	JUNTA GOMA	RUBBER GASKET
H25263	JUNTA CIERRE GOMA	CLOSING RUBBER GASKET
H25267	JUNTA GOMA	RUBBER GASKET
H25372	RESISTENCIA CUBA 2000W 230V	2000W 230V TANK RESISTANCE
H25433	PRESOSTATO SAL.HOR.35/8	35/8 HORZ.PRESS.SWITCH
H25714	TORNILLO INOX	INOX SCREW
V.448	TUBO PRESOSTATO-METRO 4X6	4X6 PRE.SWITCH INLET PIPE

In case of doubt, please CONTACT US

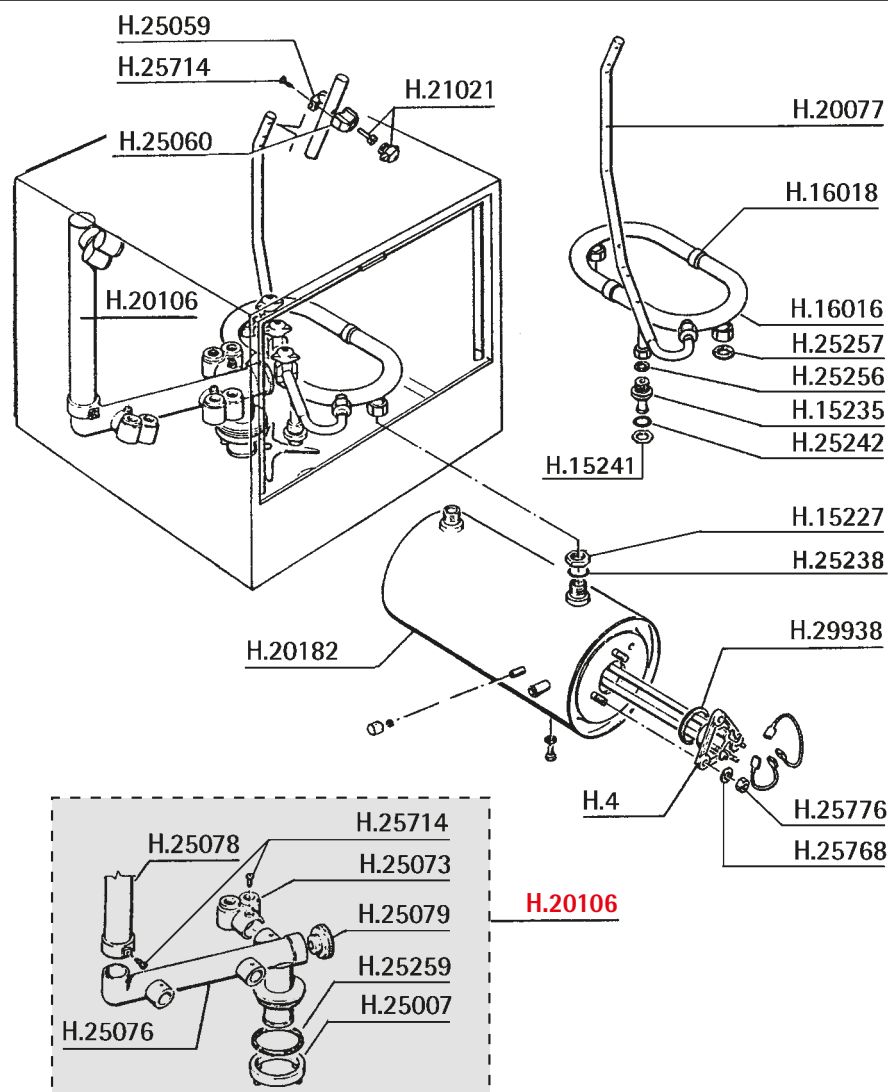


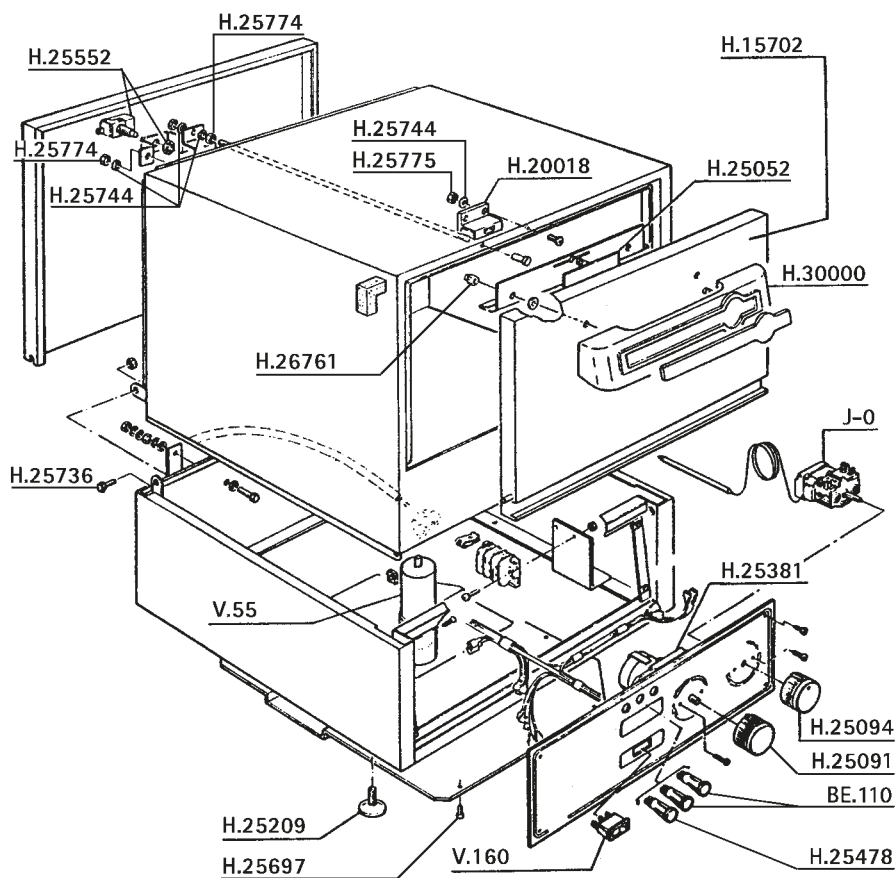
Tel: 93 377 64 11
Fax: 93 377 98 03
ascaso@ascaso.com

REF.	DESCRIPCIÓN	DESCRIPTION
BE.110	PILOTO AMBAR 13mm 220V	13mm 220V YELLOW LAMP
H20017	CIERRE PUERTA	CLOSING DOOR
H25091	POMO INTERRUPTOR	SWITCH HANDLE
H25209	PIE MAQUINA	MACHINE FOOT
H25473	INTERRUPTOR	SWITCH
H25478	PILOTO ROJO 13MM 220V	13mm 220V RED WARNING LAMP
H25697	TORNILLO	SCREW
H26761	TUERCA LATÓN	NUT
H30000	MANETA PUERTA	DOOR HANDLE
J....0	TERMOSTATO 0-90°	0-90° THERMOSTAT
V...55	CONDENSADOR 10 MF 220V	220V 10MF.CONDENSER
V..160	INT.PEQ.ROJO 3 FAXTON	RED FAXTON 3 LIT. SWITCH



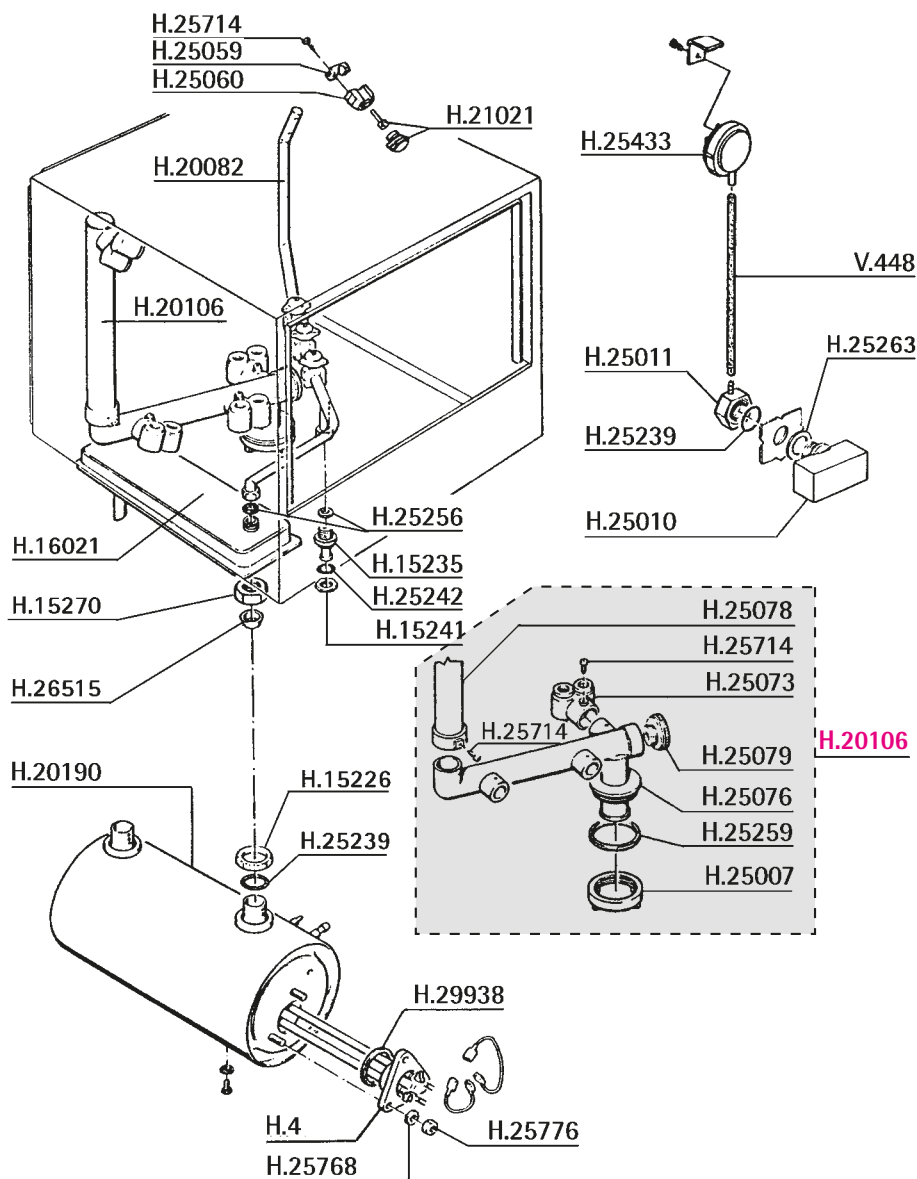
REF.	DESCRIPCIÓN	DESCRIPTION
H....4	RESIST.CALDERIN 2400W 230V	2400W 230V BOILER RESISTANCE
H15227	TUERCA CALDERIN	BOILER NUT
H15235	SOPORTE ASTA ACLARADO	RINSING ARM SUPPORT
H15241	TUERCA	NUT
H16016	INTERCAMBIADOR CALOR E-40	E-40 HEAT EXCHANGER
H16018	INTERCAMBIADOR ANTIGUO	OLD HEAT EXCHANGER
H20077	ASTA ACLARADO E-40	E-40 RINSE ARM
H20106	ASTA LA.E36/40/43UNI-CM43	E36/40/43UNI-CM43 WAS.ARM
H20182	CALDERIN	BOILER
H21021	RACOR ACLARADO	RINSE FITTING
H25007	TUERCA PLASTICO	PLASTIC NUT
H25059	BRIDA INFERIOR ROCIADOR	LOWER CLASP
H25060	BRIDA SUPERIOR ROCIADOR	UPPER CLASP
H25073	ROCIADOR LAVADO	WASHING SPRAY
H25076	BRAZO INFERIOR ASTA	LOWER ARM
H25078	TUBO SUP.ASTA LAVADO	WASHING ARM UPPER PIPE
H25079	TUERCA ASTA	ARM NUT
H25238	TORICA DE CIERRE	CLOSING RING
H25242	TORICA GOMA	RUBBER RING
H25256	JUNTA PLANA GOMA	FLAT RUBBER GASKET
H25257	JUNTA PLANA GOMA	FLAT RUBBER GASKET
H25259	JUNTA GOMA	RUBBER GASKET
H25714	TORNILLO INOX	INOX SCREW
H25768	ARANDELA	WASHER
H25776	TUERCA INOX	INOX NUT
H29938	JUNTA RESIST.TRIANG.GOMA	RESISTANCE RUBBER GASKET





REF.	DESCRIPCIÓN	DESCRIPTION
BE.110	PILOTO AMBAR 13mm 220V	13mm 220V YELLOW LAMP
H15702	PUERTA	DOOR
H20018	CIERRE PUERTA TRASERO	POSTERIOR CLOSING DOOR
H25052	CIERRE PUERTA DELANTERO	FORE CLOSING DOOR
H25091	POMO INTERRUPTOR	SWITCH HANDLE
H25094	POMO OVALADO	OVAL HANDLE
H25209	PIE MAQUINA	MACHINE FOOT
H25381	ARTICULO DADO DE BAJA	CANCEL
H25478	PILOTO ROJO 13MM 220V	13mm 220 RED WARNING LAMP
H25552	MICRO PUERTA 250V 15A	250V 15A DOOR MICROSWITCH
H25697	TORNILLO	SCREW
H25736	TORNILLO	SCREW
H25744	ARANDELA	WASHER
H25774	TUERCA	NUT
H25775	TUERCA	NUT
H26761	TUERCA LATON	NUT
H30000	MANETA PUERTA	DOOR HANDLE
J...0	TERMOSTATO 0-90°	0-90° THERMOSTAT
V...55	CONDENSADOR 10 MF 220V	220V 10MF.CONDENSER
V.160	INT.PEQ.ROJO 3 FAXTON	RED FAXTON 3 LIT. SWITCH

Lavavajillas Dishwashers HOONVED

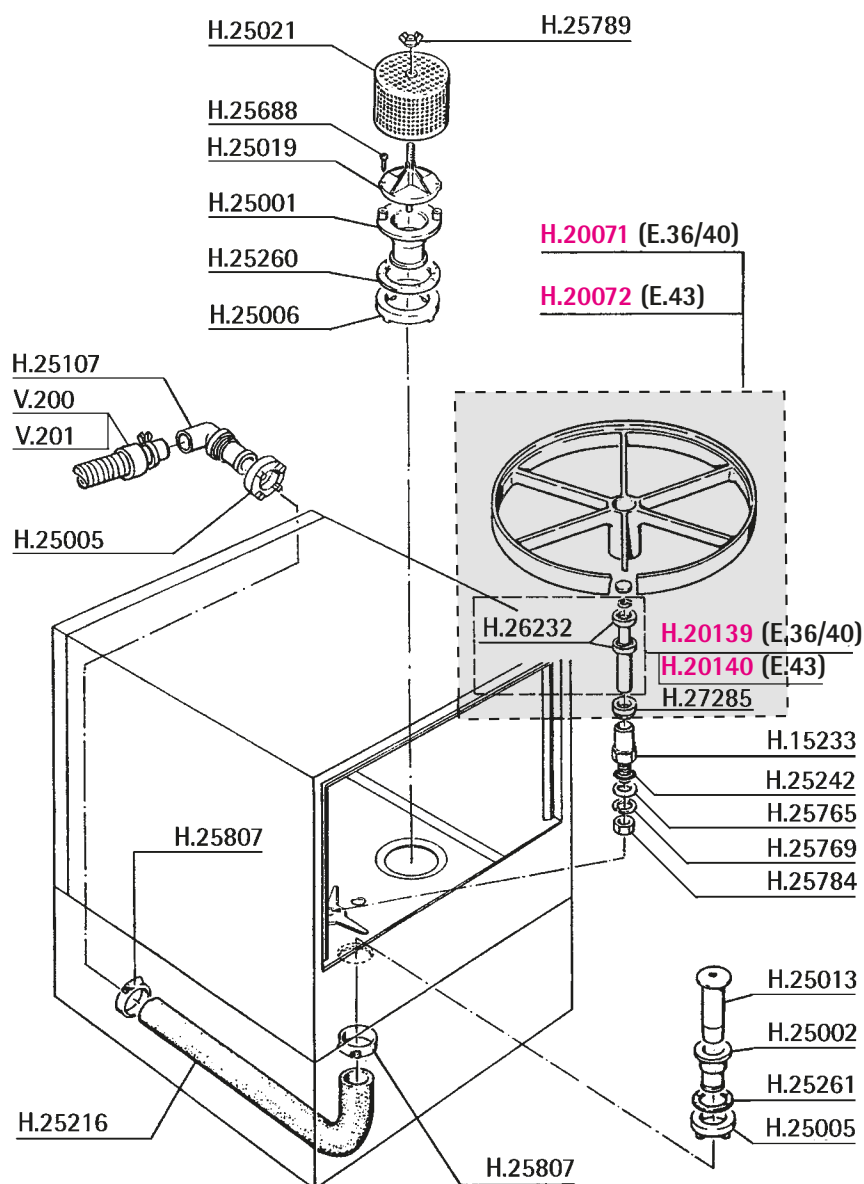


REF.	DESCRIPCIÓN	DESCRIPTION
H...4	RESIST.CALDERIN 2400W 230V	2400W 230V BOILER RESISTANCE
H15226	TUERCA CALDERIN INOX	INOX BOILER NUT
H15235	SOPORTE ASTA ACLARADO	RINSING ARM SUPPORT
H15241	TUERCA	NUT
H15270	TUERCA	NUT
H16021	INTERCAMBIADOR DE CALOR	HEAT EXCHANGER
H20082	ASTA ACLARADO	RINSE ARM
H20106	ASTA LA.E36/40/43UNI-CM43	E36/40/43UNI-CM43 WAS.ARM
H20190	CALDERIN	BOILER
H21021	RACOR ACLARADO	RINSE FITTING
H25007	TUERCA PLASTICO	PLASTIC NUT
H25010	CAMARA PRESOSTATICA	PRESSURE SWITCH CHAMBER
H25011	RACOR PLASTICO	FITTING
H25059	BRIDA INFERIOR ROCIADOR	LOWER CLASP
H25060	BRIDA SUPERIOR ROCIADOR	UPPER CLASP
H25073	ROCIADOR LAVADO	WASHING SPRAY
H25076	BRAZO INFERIOR ASTA	LOWER ARM
H25078	TUBO SUPASTA LAVADO	WASHING ARM UPPER PIPE
H25079	TUERCA ASTA	ARM NUT
H25239	TORICA CIERRE	CLOSING RING
H25242	TORICA GOMA	RUBBER RING
H25256	JUNTA PLANA GOMA	FLAT RUBBER GASKET
H25259	JUNTA GOMA	RUBBER GASKET
H25263	JUNTA CIERRE GOMA	CLOSING RUBBER GASKET
H25433	PRESOSTATO SAL.HOR.35/8	35/8 HORZ.PRESS.SWITCH
H25714	TORNILLO INOX	INOX SCREW
H25768	ARANDELA	WASHER
H25776	TUERCA INOX	INOX NUT
H26515	ARANDELA CONICA	CONIC WASHER
H29938	JUNTA RESIST.TRIANG.GOMA	RESISTANCE RUBBER GASKET
V.448	TUBO PRESOSTATO-METRO 4X6	4X6 PRE.SWITCH INLET PIPE

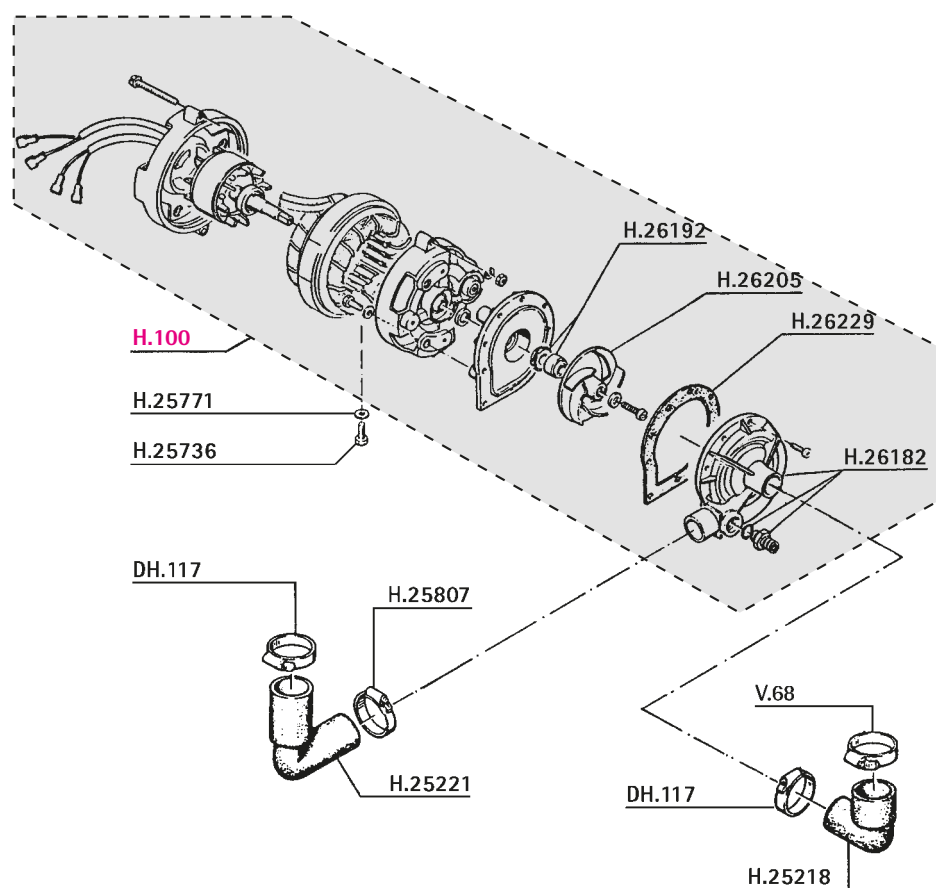
Lavavajillas Dishwashers HOONVED

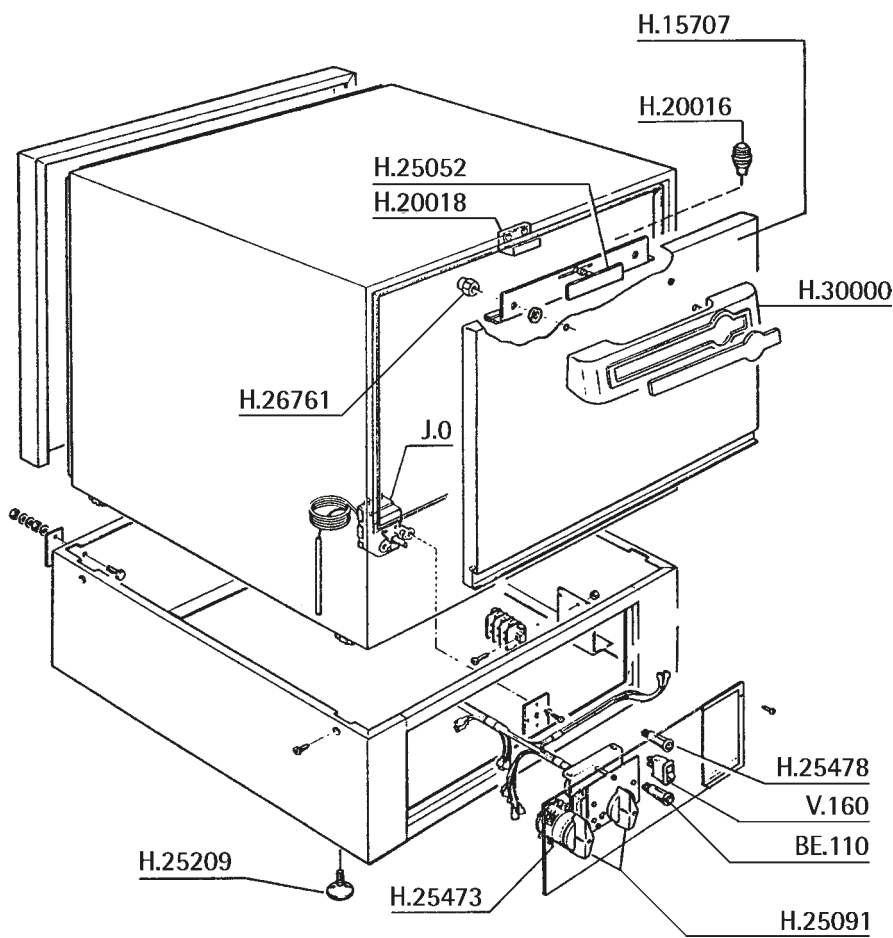
ascaso

REF.	DESCRIPCIÓN	DESCRIPTION
H15233	BASE EJE	ROD BASE
H20071	VOLANTE COMPLETO 29CM.	29CM.ROTATING PLATE
H20072	VOLANTE COMPLETO	ROTATING PLATE
H20139	EJE VOLANTE	ROTAT.PLATE ROD
H20140	EJE VOLANTE	ROTATING PLATE ROD
H25001	BASE FILTRO	FILTER BASE
H25002	RACOR DESAGUE	DRAIN FITTING
H25005	TUERCA PLASTICO	PLASTIC NUT
H25006	TUERCA PLASTICO	PLASTIC NUT
H25013	SOBRENIVEL	OVERFLOW
H25019	SOPORTE FILTRO	FILTER SUPPORT
H25021	FILTRO CUBA	TANK FILTER
H25107	RACOR DESAGUE	DRAIN FITTING
H25216	TUBO DESAGUE TODOS MODELO	OUTLET PIPE
H25242	TORICA GOMA	RUBBER RING
H25260	JUNTA GOMA	RUBBER GASKET
H25261	JUNTA GOMA	RUBBER GASKET
H25688	TORNILLO INOX	INOX SCREW
H25765	ARANDELA INOX	INOX WASHER
H25769	ARANDELA GROWER	GROWER WASHER
H25784	TUERCA	NUT
H25789	PALOMILLA FILTRO	FILTER SMUGGLER
H25807	ABRAZADERA 25-40	25-40 CLAMP
H26232	COJINETE EJE	ROD BALL BEARING
H27285	TUERCA	NUT
V..200	TUBO DESAGÜE 17mm 1,8mt	17mm. 1.8mt OUTLET PIPE
V..201	TUBO DESAGÜE 28mm. 1,5mt.	28mm. 1.5mt OUTLET PIPE



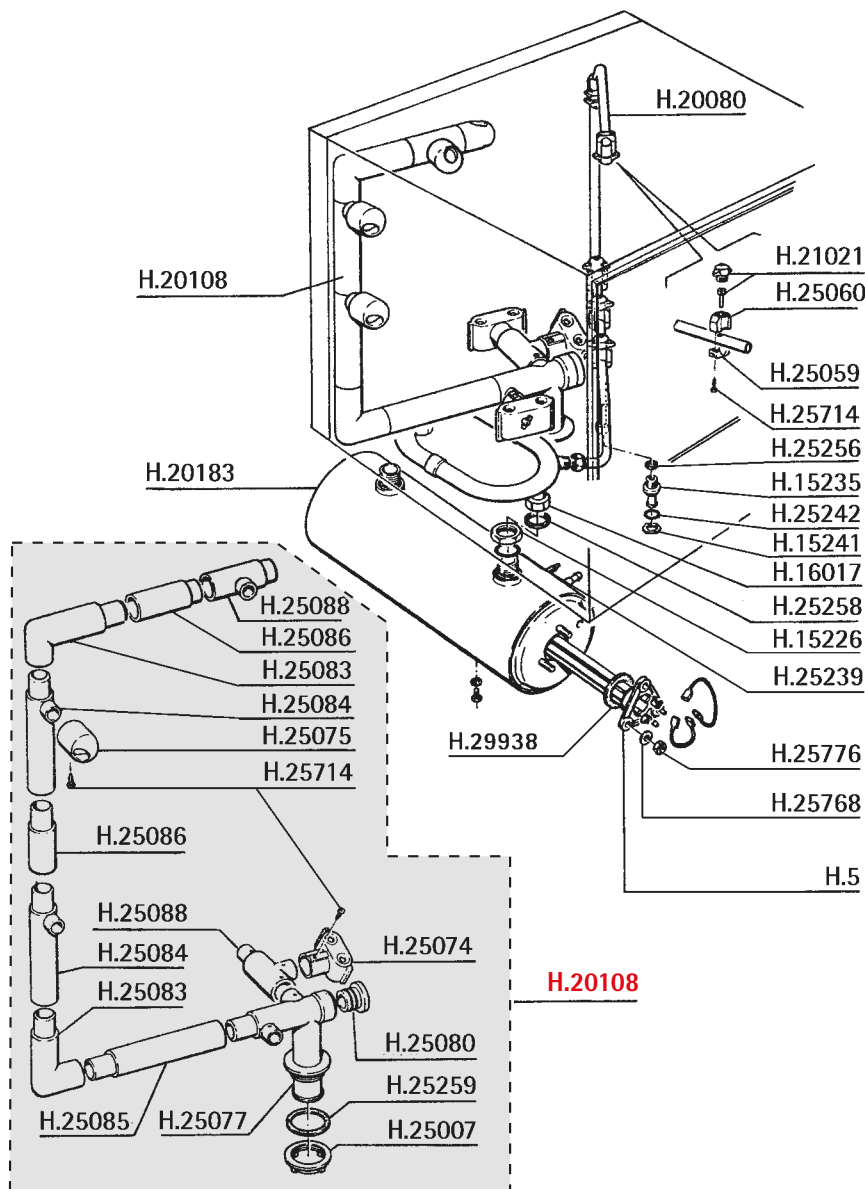
REF.	DESCRIPCIÓN	DESCRIPTION
DH.117	ABRAZADERA 46-70	46-70 CLAMP
H..100	MOTOR HP.10	HP.10 MOTOR
H25218	MANGUITO ASPIRACION	SUCTION SLEEVE
H25221	MANGUITO ENVIO	OUTLET SLEEVE
H25736	TORNILLO	SCREW
H25771	ARANDELA LATON	BRASS WASHER
H25807	ABRAZADERA 25-40	25-40 CLAMP
H26182	TAPA BOMBA	MOTOR LID
H26192	RETEN EJE BOMBA	MECHANICAL SEAL
H26205	TURBINA BOMBA	PUMP TURBINE
H26229	JUNTA TAPA BOMBA GOMA	PUMP COVER RUBBER GASKET
V...68	ABRAZADERA 32-50	35-50 CLAMP





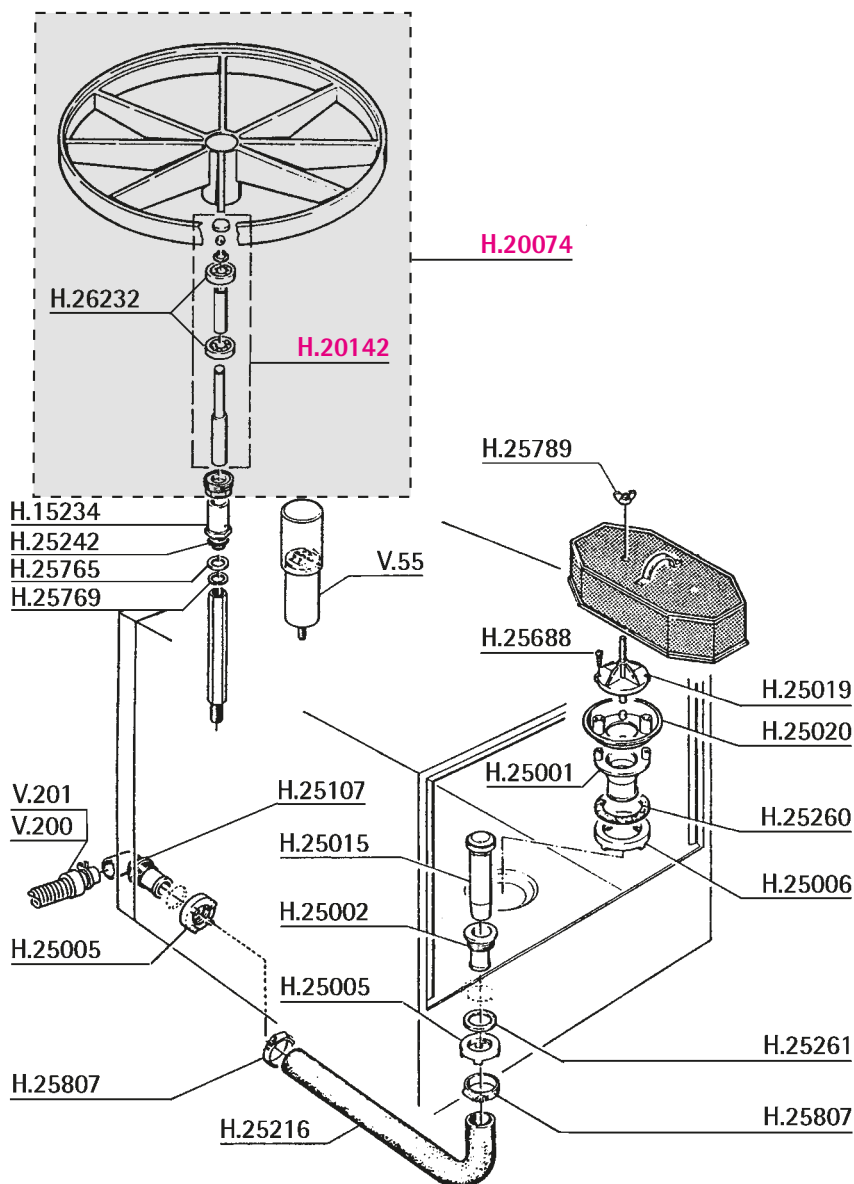
REF.	DESCRIPCIÓN	DESCRIPTION
BE.110	PILOTO AMBAR 13mm 220V	13mm 220V YELLOW LAMP
H15707	PUERTA	DOOR
H20016	CIERRE PUERTA	CLOSING DOOR
H20018	CIERRE PUERTA TRASERO	POSTERIOR CLOSING DOOR
H25052	CIERRE PUERTA DELANTERO	FORE CLOSING DOOR
H25091	POMO INTERRUPTOR	SWITCH HANDLE
H25209	PIE MAQUINA	MACHINE FOOT
H25473	INTERRUPTOR	SWITCH
H25478	PILOTO ROJO 13MM 220V	13mm 220 RED WARNING LAMP
H26761	TUERCA LATON	NUT
H30000	MANETA PUERTA	DOOR HANDLE
J....0	TERMOSTATO 0-90°	0-90° THERMOSTAT
V.160	INT.PEQ.ROJO 3 FAXTON	RED FAXTON 3 LIT. SWITCH

Lavado / Aclarado E-50 Antiguo ■ Old E-50 Rinse / Wash 1026

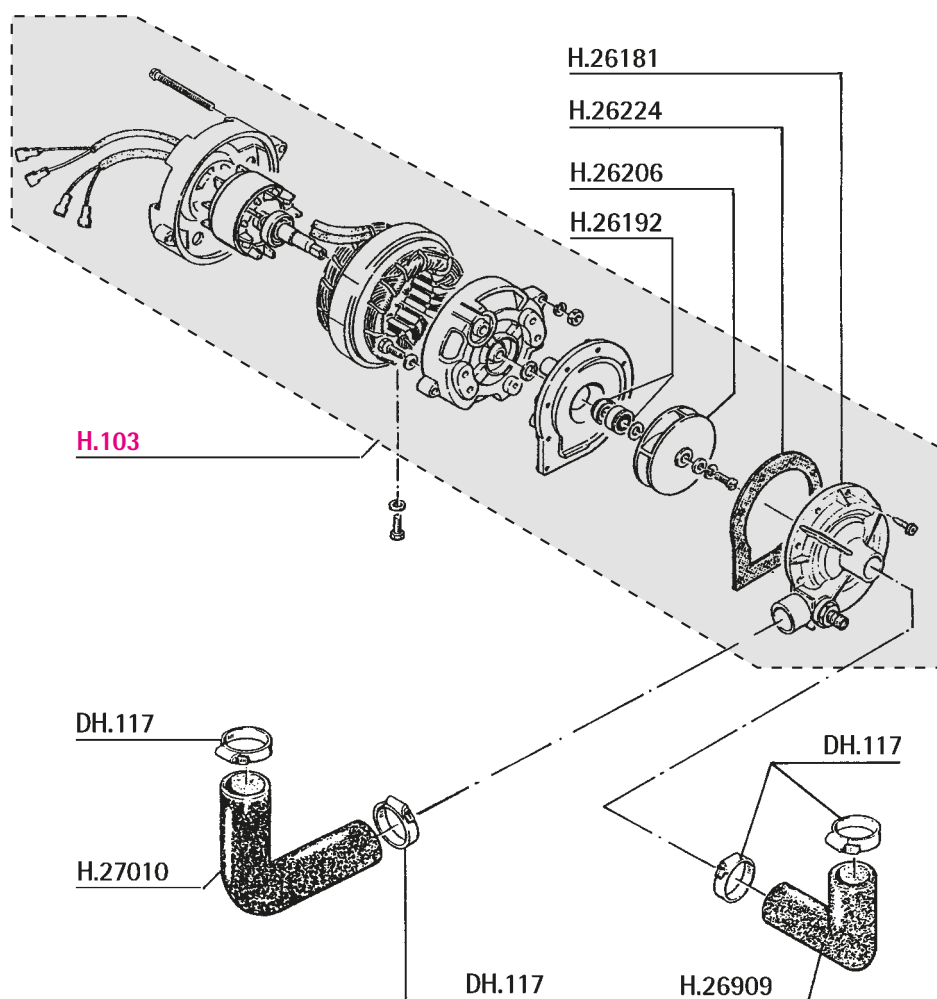


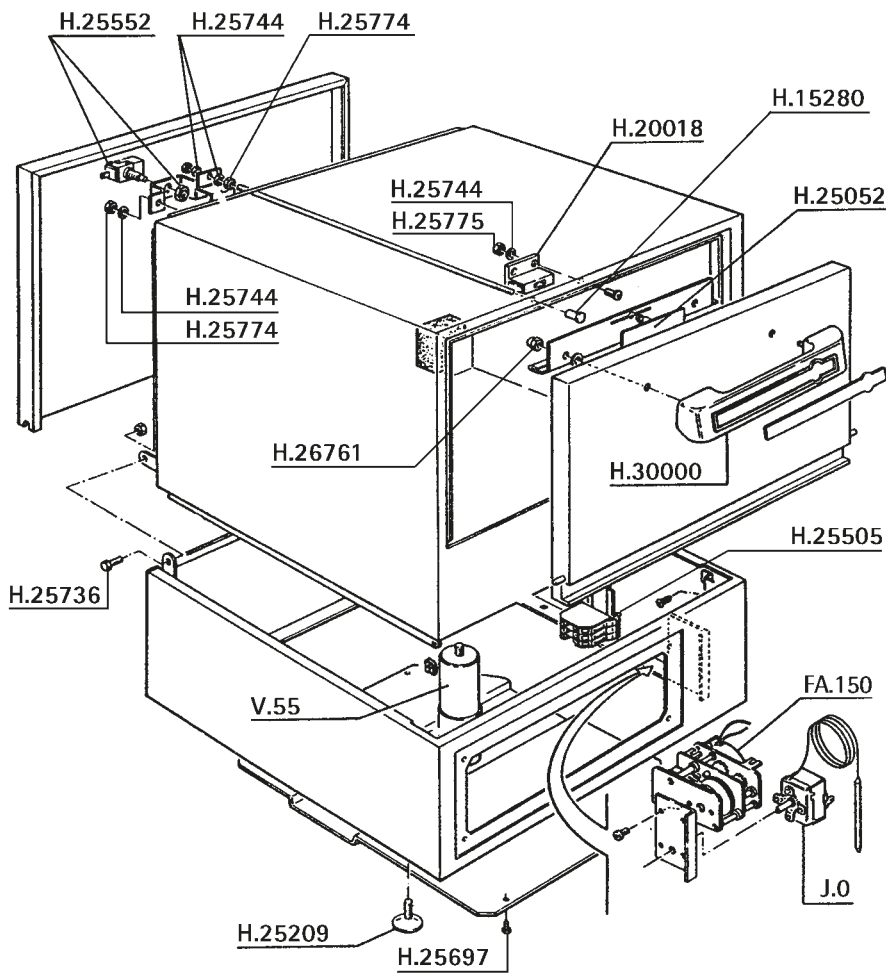
REF.	DESCRIPCIÓN	DESCRIPTION
H....5	RESIST.CALDERIN 2700W 230V	2700W 230V BOILER RESISTANCE
H15226	TUERCA CALDERIN INOX	INOX BOILER NUT
H15235	SOPORTE ASTA ACLARADO	RINSING ARM SUPPORT
H15241	TUERCA	NUT
H16017	INTER.CALOR E-50 ANTIGUO	E-50 OLD HEAT EXCHANGER
H20080	ASTA ACLARAD.E-50 ANTIGUO	E-50 OLD RINSE ARM
H20108	AST.LAV.E50-NK-CM52-UNI53	E50-NK-CM52-UNI53 W.ARM
H20183	CALDERIN	BOILER
H21021	RACOR ACLARADO	RINSE FITTING
H25007	TUERCA PLASTICO	PLASTIC NUT
H25059	BRIDA INFERIOR ROCIADOR	LOWER CLASP
H25060	BRIDA SUPERIOR ROCIADOR	UPPER CLASP
H25074	ROCIADOR LAVADO DOBLE	DOUBLE WASHING SPRAY
H25075	ROCIADOR LAVADO SIMPLE	WASHING SPRAY
H25077	BRAZO INF.ASTA LAVADO	WASHING LOWER ARM
H25080	TAPON ASTA LAVADO	WASHING ARM CAP
H25083	CURVA LAVADO 2 VIAS	WASHING BRAS PIPE
H25084	TUBO ASTA LAVADO	WASHING BRAS PIPE
H25085	TUBO ASTA LAVADO	WASHING BRAS PIPE
H25086	TUBO ASTA LAVADO	WASHING BRAS PIPE
H25088	TUBO ASTA LAVADO	WASHING BRAS PIPE
H25239	TORICA CIERRE	CLOSING RING
H25242	TORICA GOMA	RUBBER RING
H25256	JUNTA PLANA GOMA	FLAT RUBBER GASKET
H25258	JUNTA PLANA GOMA	FLAT RUBBER GASKET
H25259	JUNTA GOMA	RUBBER GASKET
H25714	TORNILLO INOX	INOX SCREW
H25768	ARANDELA	WASHER
H25776	TUERCA INOX	INOX NUT
H29938	JUNTA RESIST.TRIANG.GOMA	RESISTANCE RUBBER GASKET

REF.	DESCRIPCIÓN	DESCRIPTION
H15234	BASE EJE	ROD BASE
H20074	VOLANTE COMPLETO 40.5CM	40.5CM ROTATING PLATE
H20142	EJE VOLANTE	PLATE ROD
H25001	BASE FILTRO	FILTER BASE
H25002	RACOR DESAGUE	DRAIN FITTING
H25005	TUERCA PLASTICO	PLASTIC NUT
H25006	TUERCA PLASTICO	PLASTIC NUT
H25015	SOBRENIVEL	OVERFLOW
H25019	SOPORTE FILTRO	FILTER SUPPORT
H25020	PROTECTOR RESIDUOS	RESIDUES PROTECTOR
H25107	RACOR DESAGUE	DRAIN FITTING
H25216	TUBO DESAGUE TODOS MODELO	OUTLET PIPE
H25242	TORICA GOMA	RUBBER RING
H25260	JUNTA GOMA	RUBBER GASKET
H25261	JUNTA GOMA	RUBBER GASKET
H25688	TORNILLO INOX	INOX SCREW
H25765	ARANDELA INOX	INOX WASHER
H25769	ARANDELA GROWER	GROWER WASHER
H25789	PALOMILLA FILTRO	FILTER SMUGGLER
H25807	ABRAZADERA 25-40	25-40 CLAMP
H26232	COJINETE EJE	ROD BALL BEARING
V..55	CONDENSADOR 10 MF 220V	220V 10MF.CONDENSER
V..200	TUBO DESAGÜE 17mm 1,8mt	17mm. 1.8mt OUTLET PIPE
V..201	TUBO DESAGÜE 28mm. 1,5mt.	28mm. 1.5mt OUTLET PIPE

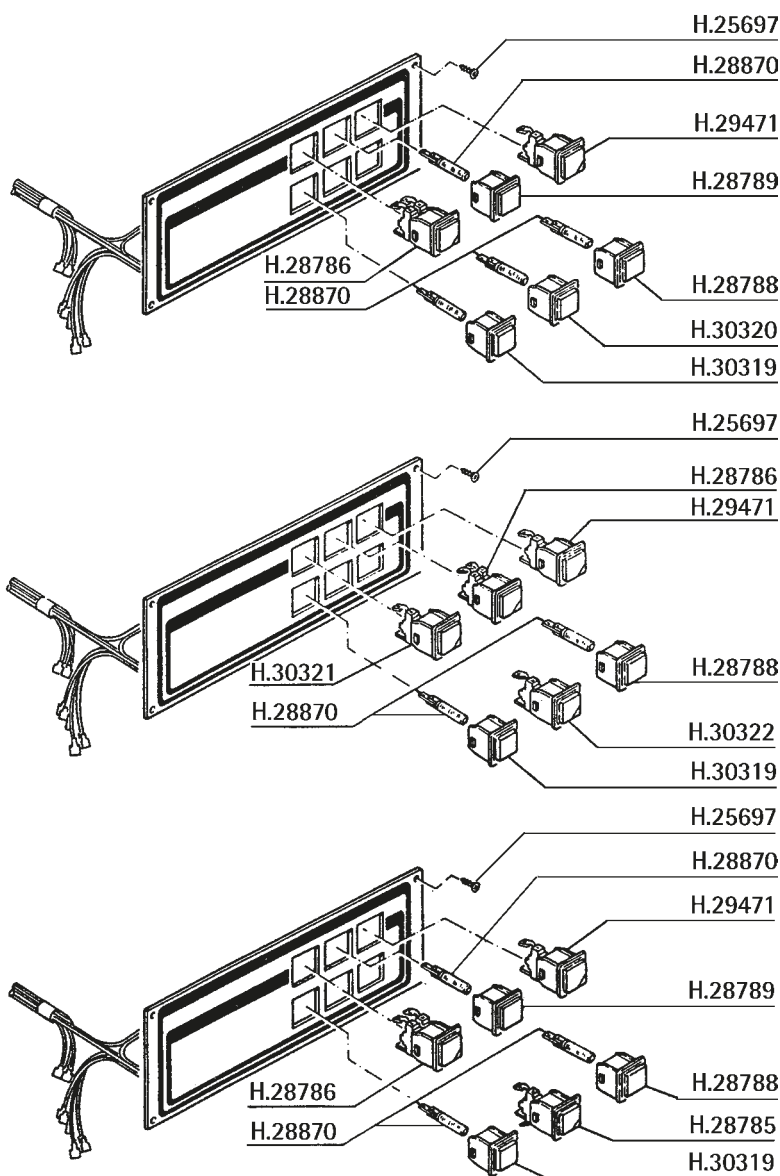


REF.	DESCRIPCIÓN	DESCRIPTION
DH.117	ABRAZADERA 46-70	46-70 CLAMP
H..103	MOTOR HP.75	HP.75 MOTOR
H26181	TAPA BOMBA	MOTOR LID
H26192	RETEN EJE BOMBA	MECHANICAL SEAL
H26206	TURBINA BOMBA	PUMP TURBINE
H26224	JUNTA TAPA BOMBA GOMA	PUMP COVER RUBBER GASKET
H26909	MANGUITO ASPIRACION E50	E-50 SUCTION SLEEVE
H27010	MANGUITO ENVIO CM48-E50	OUTLET SLEEVE





REF.	DESCRIPCIÓN	DESCRIPTION
FA.150	PROGRAMADOR 3 MICROS 120S	3 TOOTH 120S TIMER
H15280	PULSADOR PARO	STOP PUSH-BUTTON
H20018	CIERRE PUERTA TRASERO	POSTERIOR CLOSING DOOR
H25052	CIERRE PUERTA DELANTERO	FORE CLOSING DOOR
H25209	PIE MAQUINA	MACHINE FOOT
H25505	CONTACTOR 11BF9	11BF9 CONTACTOR
H25552	MICRO PUERTA 250V 15A	250V 15A DOOR MICROSWITCH
H25697	TORNILLO	SCREW
H25736	TORNILLO	SCREW
H25744	ARANDELA	WASHER
H25774	TUERCA	NUT
H25775	TUERCA	NUT
H26761	TUERCA LATON	NUT
H30000	MANETA PUERTA	DOOR HANDLE
J....0	TERMOSTATO 0-90°	0-90° THERMOSTAT
V...55	CONDENSADOR 10 MF 220V	220V 10MF.CONDENSER



REF.	DESCRIPCIÓN	DESCRIPTION
H25697	TORNILLO	SCREW
H28785	INTERRUPTOR ACLARADO	RINSE SWITCH
H28786	INTERRUPTOR NEGRO	BLACK SWITCH
H28788	PILOTO ACLARADO AMBAR	RINSE YELLOW LAMP
H28789	PILOTO	RINSE
H28870	PILOTO BLANCO 8mm C.CABLE	8mm W.WIRING GREEN LAMP
H29471	PULSADOR ROJO	RED PUSH-BUTTON
H30319	PILOTO VERDE TEMPERATURA	GREEN TEMPER. WARN. LAMP
H30320	PILOTO ROJO TEMPERATURA	RED WARNING LAMP
H30321	INTERRUPTOR VERDE	GREEN SWITCH
H30322	PULSADOR AZUL	BLUE PUSH-BUTTON

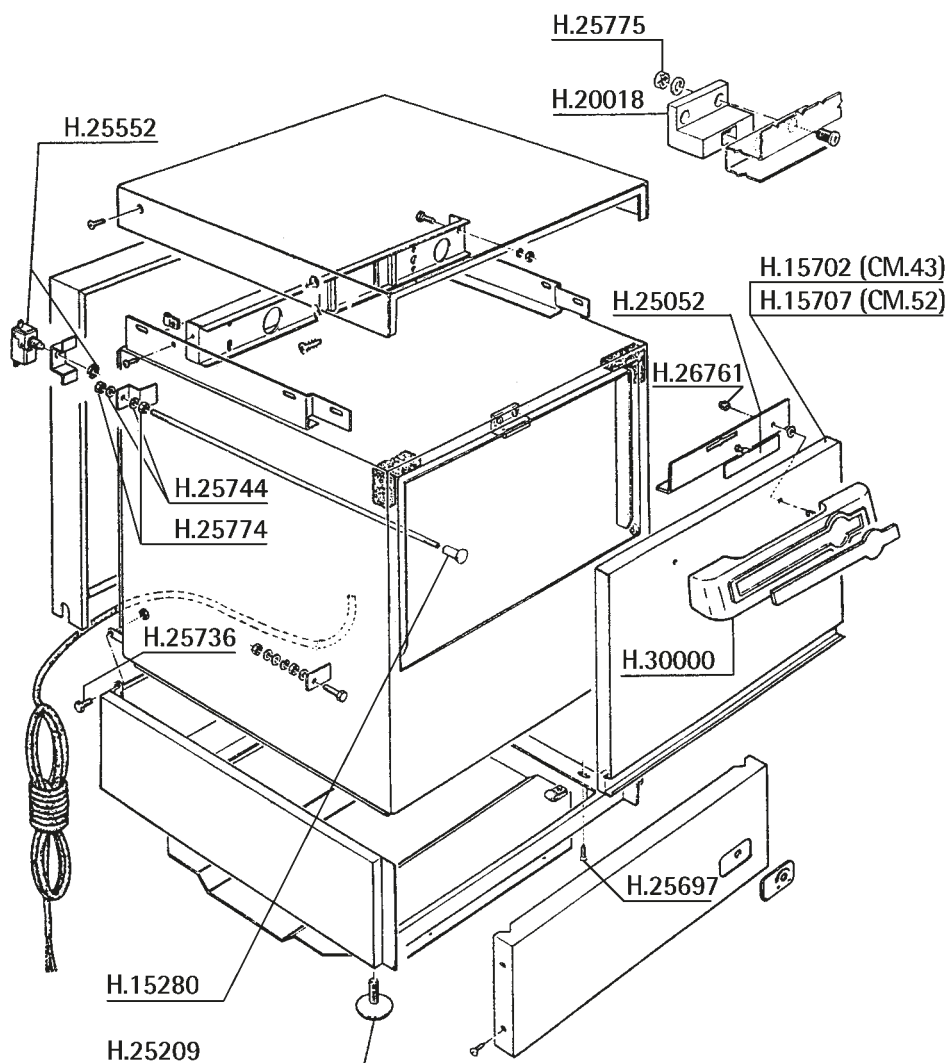
Los artículos con círculo son bajo pedido.

① ② ③ ...

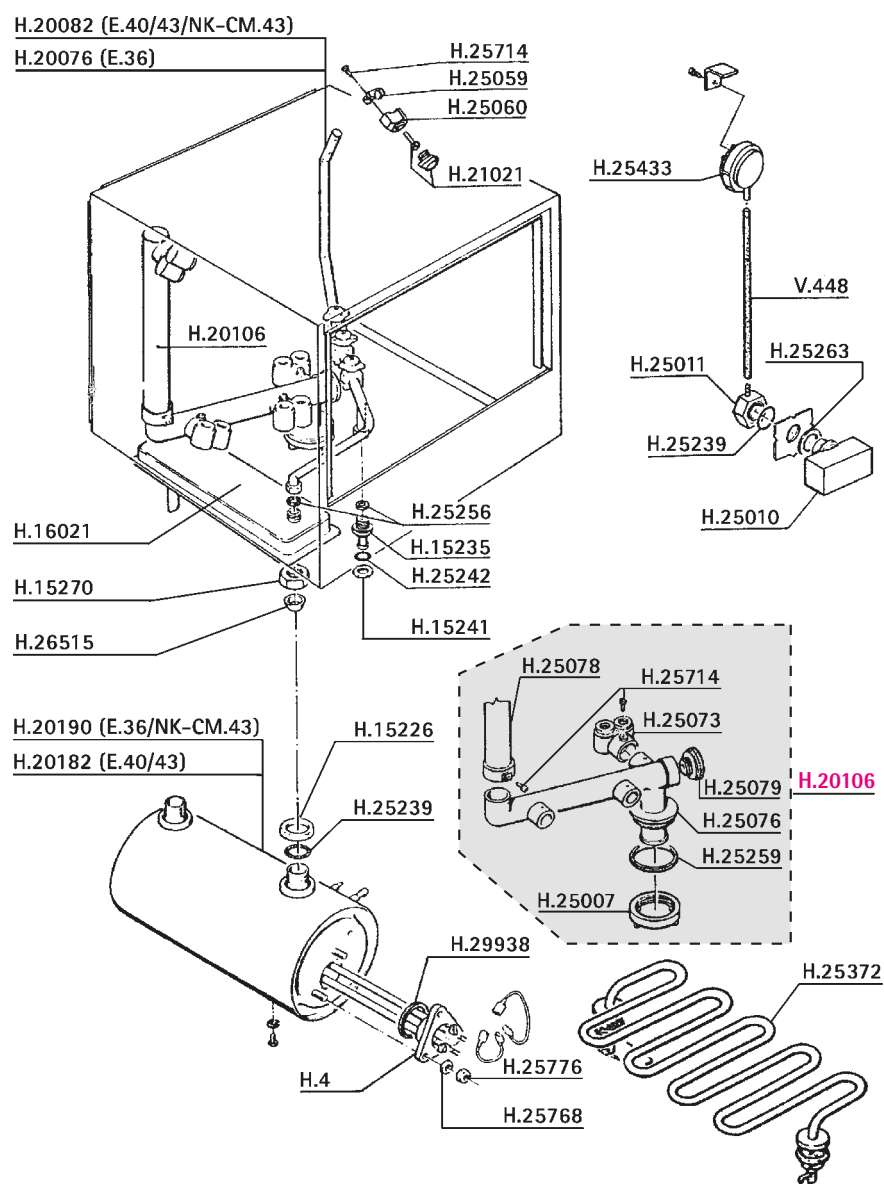
CONSÚLTENOS.

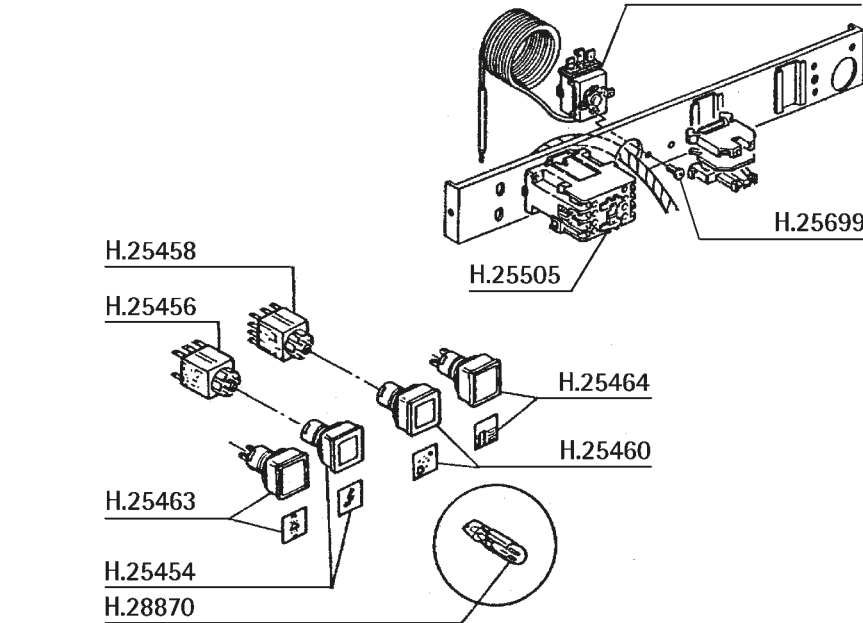
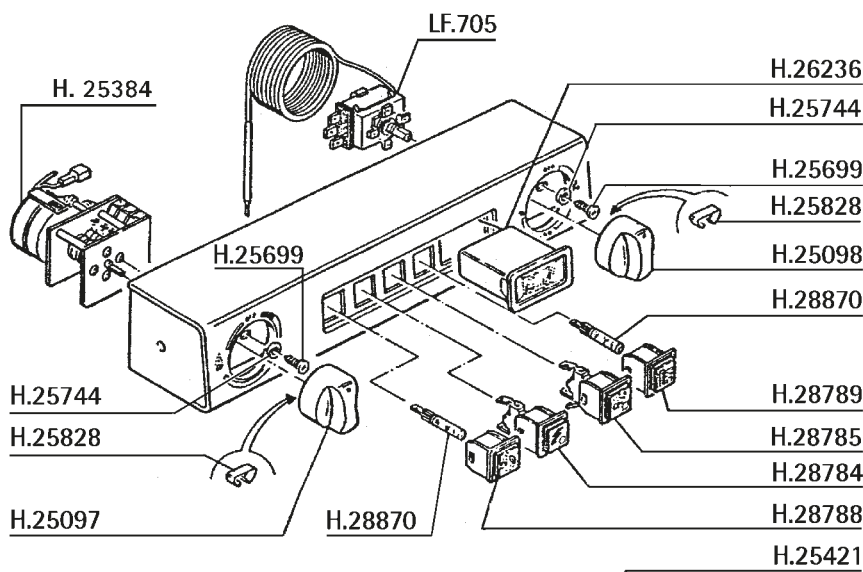


REF.	DESCRIPCIÓN	DESCRIPTION
H15280	PULSADOR PARO	STOP PUSH-BUTTON
H15702	PUERTA	DOOR
H15707	PUERTA	DOOR
H20018	CIERRE PUERTA TRASERO	POSTERIOR CLOSING DOOR
H25052	CIERRE PUERTA DELANTERO	FORE CLOSING DOOR
H25209	PIE MAQUINA	MACHINE FOOT
H25552	MICRO PUERTA 250V 15A	250V 15A DOOR MICROSWITCH
H25697	TORNILLO	SCREW
H25736	TORNILLO	SCREW
H25744	ARANDELA	WASHER
H25774	TUERCA	NUT
H25775	TUERCA	NUT
H26761	TUERCA LATON	NUT
H30000	MANETA PUERTA	DOOR HANDLE

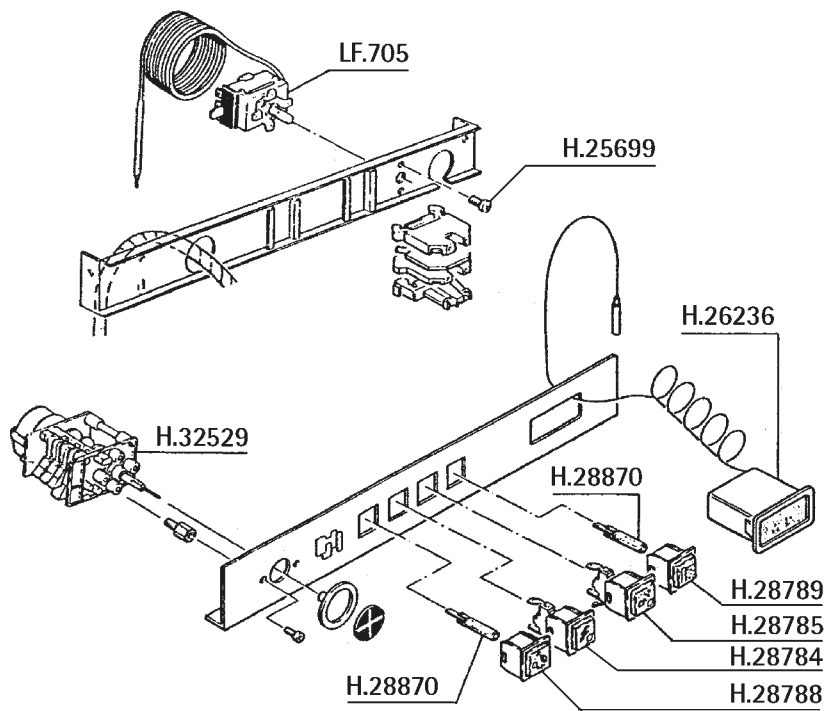


REF.	DESCRIPCIÓN	DESCRIPTION
H....4	RESIST.CALDERIN 2400W 230V	2400W 230V BOILER RESISTANCE
H15226	TUERCA CALDERIN INOX	INOX BOILER NUT
H15235	SOPORTE ASTA ACLARADO	RINSING ARM SUPPORT
H15241	TUERCA	NUT
H15270	TUERCA	NUT
H16021	INTERCAMBIADOR DE CALOR	HEAT EXCHANGER
H20076	ASTA ACLARADO	RINSE ARM
H20082	ASTA ACLARADO	RINSE ARM
H20106	ASTA LA.E36/40/43UNI-CM43	E36/40/43UNI-CM43 WAS.ARM
H20182	CALDERIN	BOILER
H20190	CALDERIN	BOILER
H21021	RACOR ACLARADO	RINSE FITTING
H25007	TUERCA PLASTICO	PLASTIC NUT
H25010	CAMARA PRESOSTATICA	PRESSURE SWITCH CHAMBER
H25011	RACOR PLASTICO	FITTING
H25059	BRIDA INFERIOR ROCIADOR	LOWER CLASP
H25060	BRIDA SUPERIOR ROCIADOR	UPPER CLASP
H25073	ROCIADOR LAVADO	WASHING SPRAY
H25076	BRAZO INFERIOR ASTA	LOWER ARM
H25078	TUBO SUP.ASTA LAVADO	WASHING ARM UPPER PIPE
H25079	TUERCA ASTA	ARM NUT
H25239	TORICA CIERRE	CLOSING RING
H25242	TORICA GOMA	RUBBER RING
H25256	JUNTA PLANA GOMA	FLAT RUBBER GASKET
H25259	JUNTA GOMA	RUBBER GASKET
H25263	JUNTA CIERRE GOMA	CLOSING RUBBER GASKET
H25372	RESISTENCIA CUBA 2000W 230V	2000W 230V TANK RESISTANCE
H25433	PRESOSTATO SAL.HOR.35/8	35/8 HORZ.PRESS.SWITCH
H25714	TORNILLO INOX	INOX SCREW
H25768	ARANDELA	WASHER
H25776	TUERCA INOX	INOX NUT
H26515	ARANDELA CONICA	CONIC WASHER
H29938	JUNTA RESIST.TRIANG.GOMA	RESISTANCE RUBBER GASKET
V.448	TUBO PRESOSTATO-METRO 4X6	4X6 PRE.SWITCH INLET PIPE

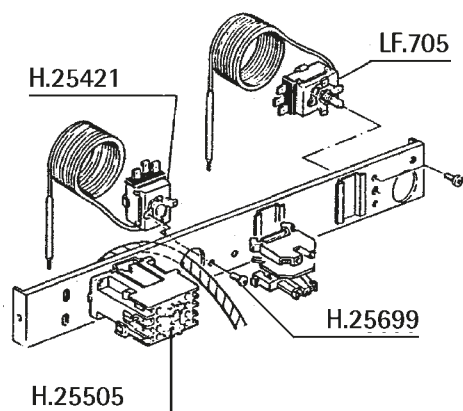




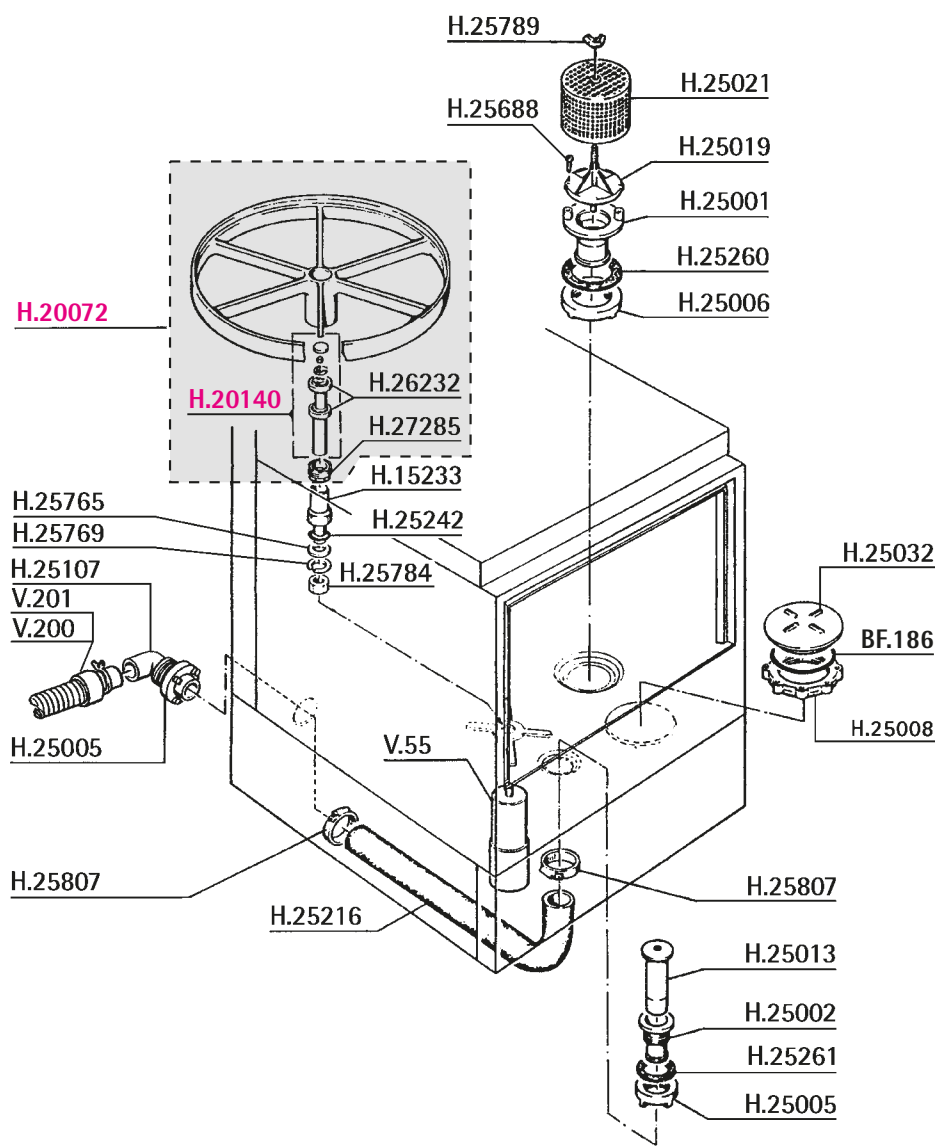
REF.	DESCRIPCIÓN	DESCRIPTION
H25097	POMO TIMER	TIMER HANDLE
H25098	POMO TIMER	TIMER HANDLE
H25384	PROGRAMADOR 3MIC.120S EJE	3 TOOTH 120S ROD TIMER
H25421	TERMOSTATO FIJO 55°	55° EVAPORATION THERMOSTAT
H25454	PULSANTE PTA.MARCHA RESIS	RESISTANCE PUSH-BUTTON
H25456	INTERRUPTOR 6 FAXTON	6 FAXTON SWITCH
H25458	INTERRUPTOR 10 FAXTON	10 FAXTON SWITCH
H25460	PULSANTE ACLARADO C.M.	C.M. CLEARING PUSH-BUTTON
H25463	INDICADOR	INDICATOR
H25464	INDICADOR	INDICATOR
H25505	CONTACTOR 11BF9	11BF9 CONTACTOR
H25699	TORNILLO	SCREW
H25744	ARANDELA	WASHER
H25828	GRAPILLA MANDO TERMOSTATO	HANDLE THERMOST CLIP
H26236	TERMOMETRO 0/120° C	THERMOMETER
H28784	INTERRUPTOR LINEA	SWITCH
H28785	INTERRUPTOR ACLARADO	RINSE SWITCH
H28788	PILOTO ACLARADO AMBAR	RINSE YELLOW LAMP
H28789	PILOTO	RINSE
H28870	PILOTO BLANCO 8mm C.CABLE	8mm W.WIRING GREEN LAMP
LF.705	TERMOSTATO 90° BULBO 3mt.	90° BULB 3m THERMOSTAT



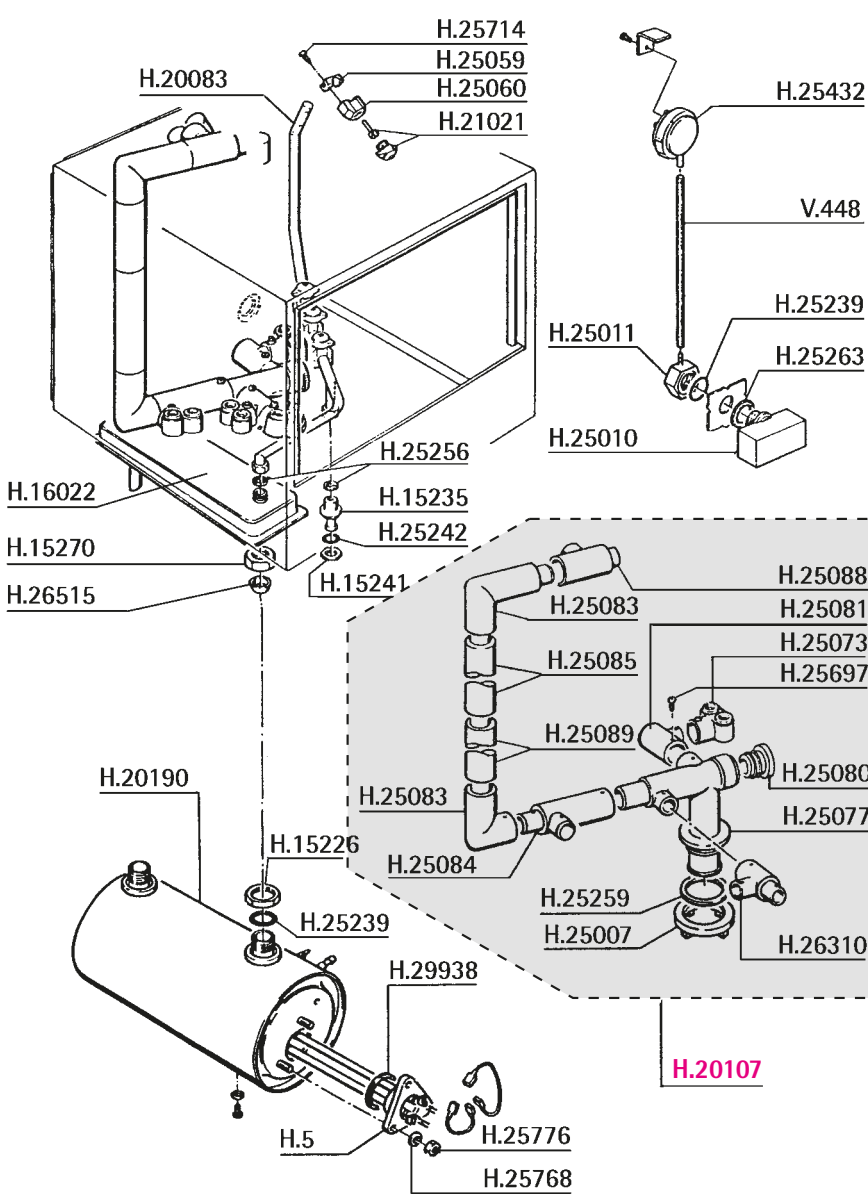
REF.	DESCRIPCIÓN	DESCRIPTION
H25421	TERMOSTATO FIJO 55°	55° EVAPORATION THERMOSTAT
H25505	CONTACTOR 11BF9	11BF9 CONTACTOR
H25699	TORNILLO	SCREW
H26236	TERMOMETRO 0/120° C	THERMOMETER 0/120° C
H28784	INTERRUPTOR LINEA	SWITCH
H28785	INTERRUPTOR ACLARADO	RINSE SWITCH
H28788	PILOTO ACLARADO AMBAR	RINSE YELLOW LAMP
H28789	PILOTO	RINSE
H28870	PILOTO BLANCO 8mm C.CABLE	8mm W.WIRING GREEN LAMP
H32529	PRO.PULSANTE TRES MICROS 360 S	3TOOTH 360S PUSH TIMER
LF.705	TERMOSTATO 90° BULBO 3mt.	90° BULB 3m THERMOSTAT

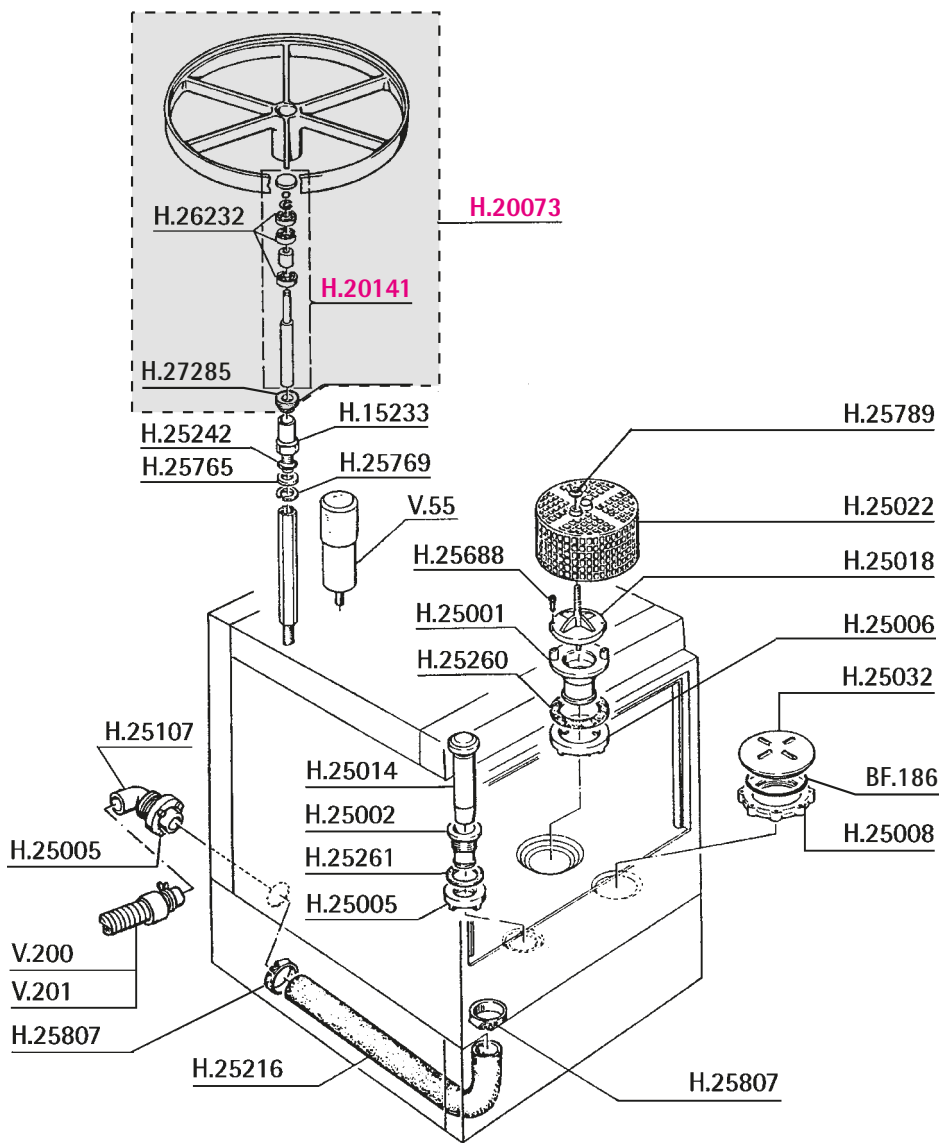


REF.	DESCRIPCIÓN	DESCRIPTION
BF.186	TORICA CALDERA GOMA	RUBBER RING
H15233	BASE EJE	ROD BASE
H20072	VOLANTE COMPLETO	ROTATING PLATE
H20140	EJE VOLANTE	ROTATING PLATE ROD
H25001	BASE FILTRO	FILTER BASE
H25002	RACOR DESAGÜE	DRAIN FITTING
H25005	TUERCA PLASTICO	PLASTIC NUT
H25006	TUERCA PLASTICO	PLASTIC NUT
H25008	TUERCA PLASTICO	NUT
H25013	SOBRENIVEL	OVERFLOW
H25019	SOPORTE FILTRO	FILTER SUPPORT
H25021	FILTRO CUBA	TANK FILTER
H25032	TAPON	CAP
H25107	RACOR DESAGÜE	DRAIN FITTING
H25216	TUBO DESAGÜE TODOS MODELO	OUTLET PIPE
H25242	TORICA GOMA	RUBBER RING
H25260	JUNTA GOMA	RUBBER GASKET
H25261	JUNTA GOMA	RUBBER GASKET
H25688	TORNILLO INOX	INOX SCREW
H25765	ARANDELA INOX	INOX WASHER
H25769	ARANDELA GROWER	GROWER WASHER
H25784	TUERCA	NUT
H25789	PALOMILLA FILTRO	FILTER SMUGGLER
H25807	ABRAZADERA 25-40	25-40 CLAMP
H26232	COJINETE EJE	ROD BALL BEARING
H27285	TUERCA	NUT
V...55	CONDENSADOR 10 MF 220V	220V 10MF.CONDENSER
V.200	TUBO DESAGÜE 17mm 1,8mt	17mm. 1.8mt OUTLET PIPE
V.201	TUBO DESAGÜE 28mm. 1,5mt.	28mm. 1.5mt OUTLET PIPE



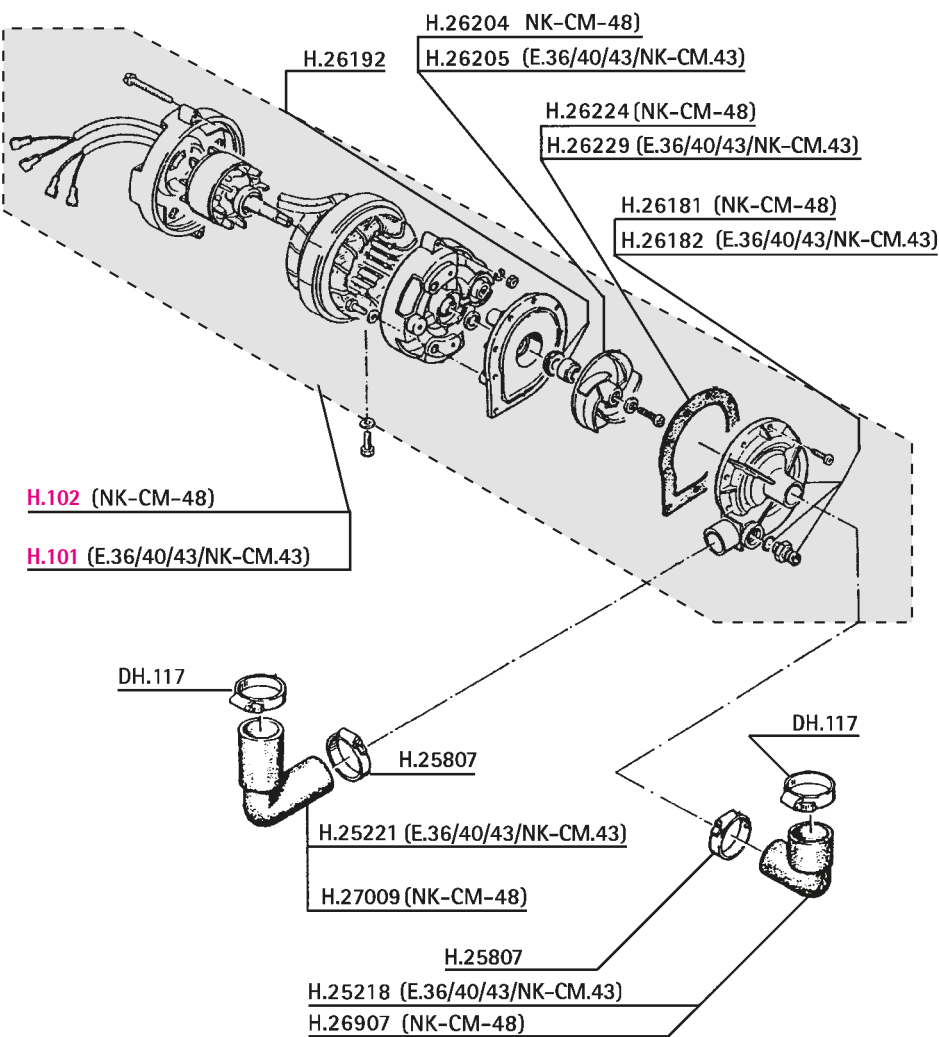
REF.	DESCRIPCIÓN	DESCRIPTION
H...5	RESIST.CALDERIN 2700W 230V	2700W 230V BOILER RESISTANCE
H15226	TUERCA CALDERIN INOX	INOX BOILER NUT
H15235	SOPORTE ASTA ACLARADO	RINSING ARM SUPPORT
H15241	TUERCA	NUT
H15270	TUERCA	NUT
H16022	INTERCAMBIADOR DE CALOR	HEAT EXCHANGER
H20083	ASTA ACLARADO	RINSE ARM
H20107	ASTA LAVADO NK-CM-UNI48	NK-CM-UNI48 WASHING ARM
H20190	CALDERIN	BOILER
H21021	RACOR ACLARADO	RINSE FITTING
H25007	TUERCA PLASTICO	PLASTIC NUT
H25010	CAMARA PRESOSTATICA	PRESSURE SWITCH CHAMBER
H25011	RACOR PLASTICO	FITTING
H25059	BRIDA INFERIOR ROCIADOR	LOWER CLASP
H25060	BRIDA SUPERIOR ROCIADOR	UPPER CLASP
H25073	ROCIADOR LAVADO	WASHING SPRAY
H25077	BRAZO INFESTA LAVADO	WASHING LOWER ARM
H25080	TAPON ASTA LAVADO	WASHING ARM CAP
H25081	RACOR ASTA LAVADO 3 VIAS	WASHING ARM FITTING
H25083	CURVA LAVADO 2 VIAS	WASHING BRAS PIPE
H25084	TUBO ASTA LAVADO	WASHING BRAS PIPE
H25085	TUBO ASTA LAVADO	WASHING BRAS PIPE
H25088	TUBO ASTA LAVADO	WASHING BRAS PIPE
H25089	TUBO ASTA LAVADO	WASHING BRAS PIPE
H25239	TORICA CIERRE	CLOSING RING
H25242	TORICA GOMA	RUBBER RING
H25256	JUNTA PLANA GOMA	FLAT RUBBER GASKET
H25259	JUNTA GOMA	RUBBER GASKET
H25263	JUNTA CIERRE GOMA	CLOSING RUBBER GASKET
H25432	PRESOSTATO SAL/HOR.60/45	60/45 HORIZ.PRESS.SWITCH
H25697	TORNILLO	SCREW
H25714	TORNILLO INOX	INOX SCREW
H25768	ARANDELA	WASHER
H25776	TUERCA INOX	INOX NUT
H26310	TUBO ASTA LAVADO	WASHING BRAS PIPE
H26515	ARANDELA CONICA	CONIC WASHER
H29938	JUNTA RESIST.TRIANG.GOMA	RESISTANCE RUBBER GASKET
V.448	TUBO PRESOSTATO-METRO 4X6	4X6 PRE.SWITCH INLET PIPE





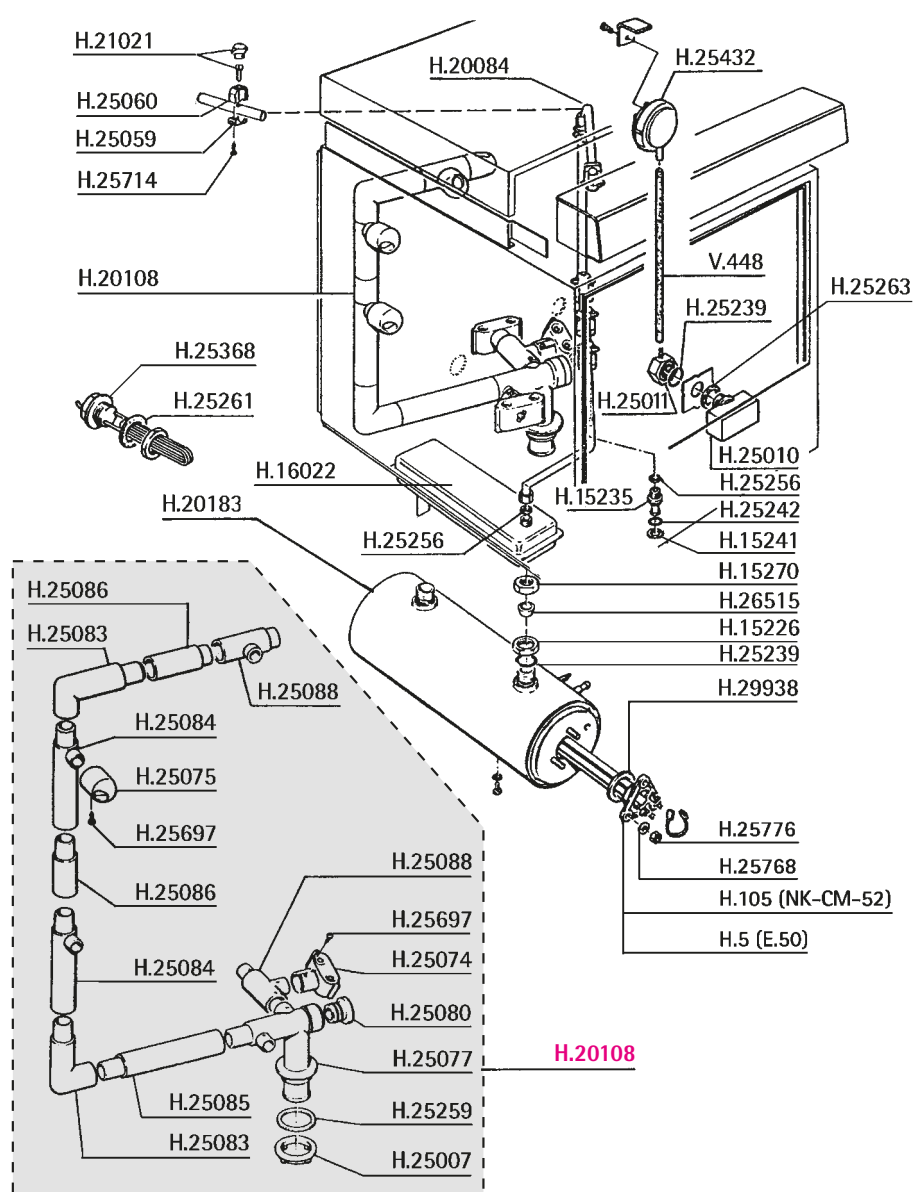
REF.	DESCRIPCIÓN	DESCRIPTION
BF.186	TORICA	RING
H15233	BASE EJE	ROD BASE
H20073	VOLANTE COMPLETO 29CM.	29cm COMPLET WHEEL
H20141	EJE VOLANTE	ROTATING PLATE ROD
H25001	BASE FILTRO	FILTER BASE
H25002	RACOR DESAGÜE	DRAIN FITTING
H25005	TUERCA PLASTICO	PLASTIC NUT
H25006	TUERCA PLASTICO	PLASTIC NUT
H25008	TUERCA PLASTICO	NUT
H25014	SOBRENIVEL	OVERFLOW
H25018	SOPORTE FILTRO	FILTER SUPPORT
H25022	FILTRO CUBA	TANK FILTER
H25032	TAPON	CAP
H25107	RACOR DESAGÜE	DRAIN FITTING
H25216	TUBO DESAGÜE TODOS MODELO	OUTLET PIPE
H25242	TORICA GOMA	RUBBER RING
H25260	JUNTA GOMA	RUBBER GASKET
H25261	JUNTA GOMA	RUBBER GASKET
H25688	TORNILLO INOX	INOX SCREW
H25765	ARANDELA INOX	INOX WASHER
H25769	ARANDELA GROWER	GROWER WASHER
H25789	PALOMILLA FILTRO	FILTER SMUGGLER
H25807	ABRAZADERA 25-40	25-40 CLAMP
H26232	COJINETE EJE	ROD BALL BEARING
H27285	TUERCA	NUT
V...55	CONDENSADOR 10 MF 220V	220V 10MF.CONDENSER
V..200	TUBO DESAGÜE 17mm 1,8mt	17mm. 1.8mt OUTLET PIPE
V..201	TUBO DESAGÜE 28mm. 1,5mt.	28mm. 1.5mt OUTLET PIPE

Motores E-36 / 40 / 43 MOD. NK-CM-43/48 ■ E-36 / 40 / 43 MOD. NK-CM-43 / 48 Motors

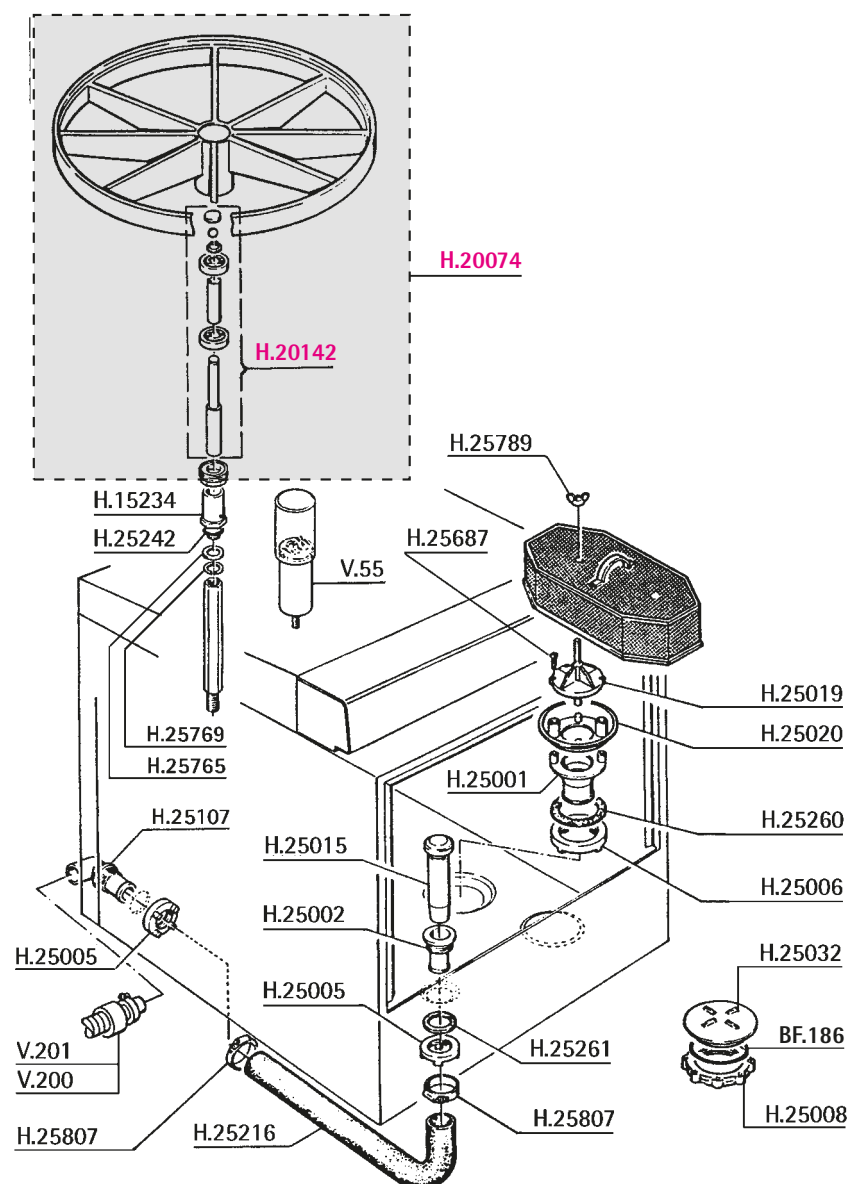


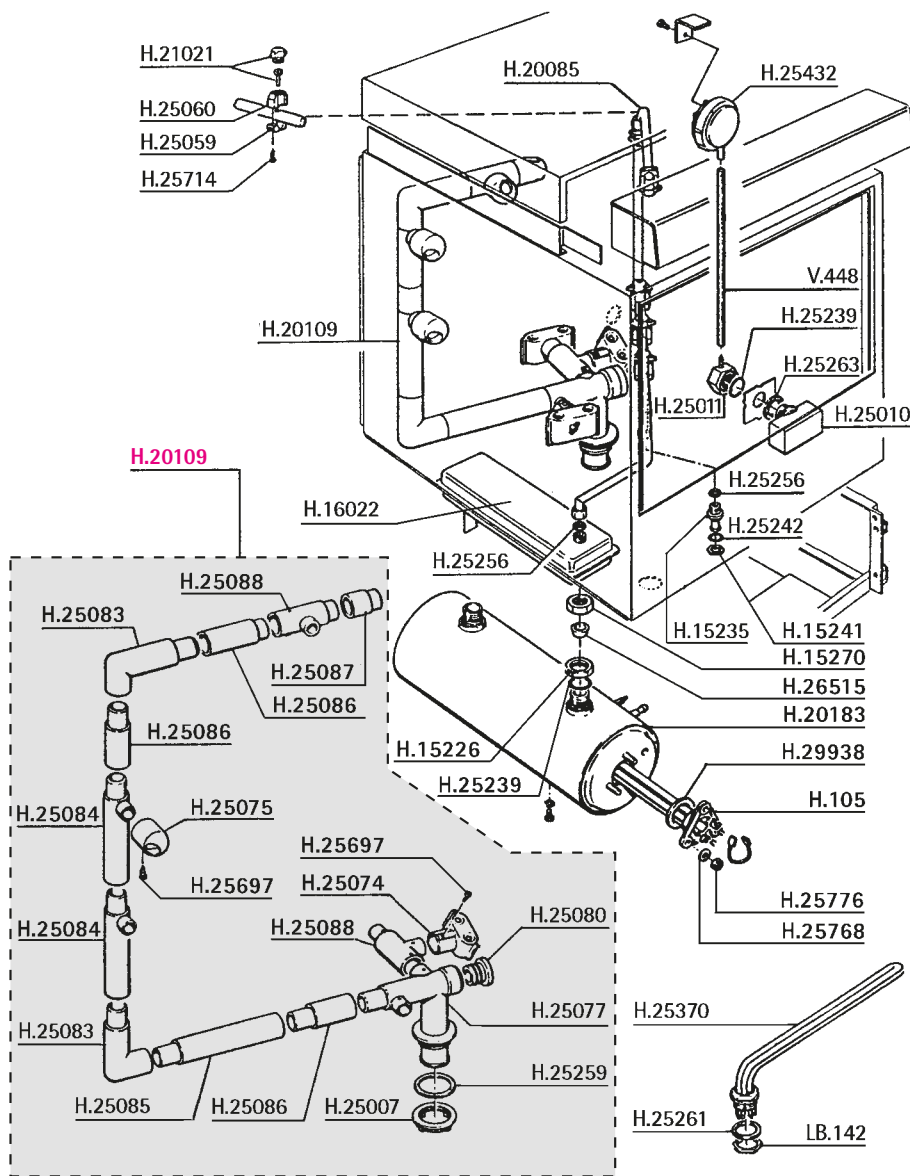
REF.	DESCRIPCIÓN	DESCRIPTION
DH.117	ABRAZADERA 46-70	46-70 CLAMP
H..101	MOTOR HP25	HP25 MOTOR
H..102	MOTOR HP33	HP33 MOTOR
H25218	MANGUITO ASPIRACION	SUCTION SLEEVE
H25221	MANGUITO ENVIO	OUTLET SLEEVE
H25807	ABRAZADERA 25-40	25-40 CLAMP
H26181	TAPA BOMBA	MOTOR LID
H26182	TAPA BOMBA	MOTOR LID
H26192	RETEN EJE BOMBA	MECHANICAL SEAL
H26204	TURBINA BOMBA	PUMP TURBINE
H26205	TURBINA BOMBA	PUMP TURBINE
H26224	JUNTA TAPA BOMBA GOMA	PUMP COVER RUBBER GASKET
H26229	JUNTA TAPA BOMBA GOMA	PUMP COVER RUBBER GASKET
H26907	MANGUITO ASPIRACION	SUCTION SLEEVE
H27009	MANGUITO ENVIO	OUTLET SLEEVE

REF.	DESCRIPCIÓN	DESCRIPTION
H....5	RESIST.CALDERIN 2700W 230V	2700W 230V BOILER RESISTANCE
H.105	RESISTENCIA 4000W 230V	4000W 230V RESISTANCE
H15226	TUERCA CALDERIN INOX	INOX BOILER NUT
H15235	SOPORTE ASTA ACLARADO	RINSING ARM SUPPORT
H15241	TUERCA	NUT
H15270	TUERCA	NUT
H16022	INTERCAMBIADOR DE CALOR	HEAT EXCHANGER
H20084	ASTA ACLARADO	RINSE ARM
H20108	AST.LAV.E50-NK-CM52-UNI53	E50-NK-CM52-UNI53 W.ARM
H20183	CALDERIN	BOILER
H21021	RACOR ACLARADO	RINSE FITTING
H25007	TUERCA PLASTICO	PLASTIC NUT
H25010	CAMARA PRESOSTATICA	PRESSURE SWITCH CHAMBER
H25011	RACOR PLASTICO	FITTING
H25059	BRIDA INFERIOR ROCIADOR	LOWER CLASP
H25060	BRIDA SUPERIOR ROCIADOR	UPPER CLASP
H25074	ROCIADOR LAVADO DOBLE	DOUBLE WASHING SPRAY
H25075	ROCIADOR LAVADO SIMPLE	WASHING SPRAY
H25077	BRAZO INF.ASTA LAVADO	WASHING LOWER ARM
H25080	TAPON ASTA LAVADO	WASHING ARM CAP
H25083	CURVA LAVADO 2 VIAS	WASHING BRAS PIPE
H25084	TUBO ASTA LAVADO	WASHING BRAS PIPE
H25085	TUBO ASTA LAVADO	WASHING BRAS PIPE
H25086	TUBO ASTA LAVADO	WASHING BRAS PIPE
H25088	TUBO ASTA LAVADO	WASHING BRAS PIPE
H25239	TORICA CIERRE	CLOSING RING
H25242	TORICA GOMA	RUBBER RING
H25256	JUNTA PLANA GOMA	FLAT RUBBER GASKET
H25259	JUNTA GOMA	RUBBER GASKET
H25261	JUNTA GOMA	RUBBER GASKET
H25263	JUNTA CIERRE GOMA	CLOSING RUBBER GASKET
H25368	RESISTENCIA CUBA 800W 230V	800W/230V TANK RESISTANCE
H25432	PRESOSTATO SAL/HOR.60/45	60/45 HORIZ.PRESS.SWITCH
H25697	TORNILLO	SCREW
H25714	TORNILLO INOX	INOX SCREW
H25768	ARANDELA	WASHER
H25776	TUERCA INOX	INOX NUT
H26515	ARANDELA CONICA	CONIC WASHER
H29938	JUNTA RESIST.TRIANG.GOMA	RESISTANCE RUBBER GASKET
V.448	TUBO PRESOSTATO-METRO 4X6	4X6 PRE.SWITCH INLET PIPE



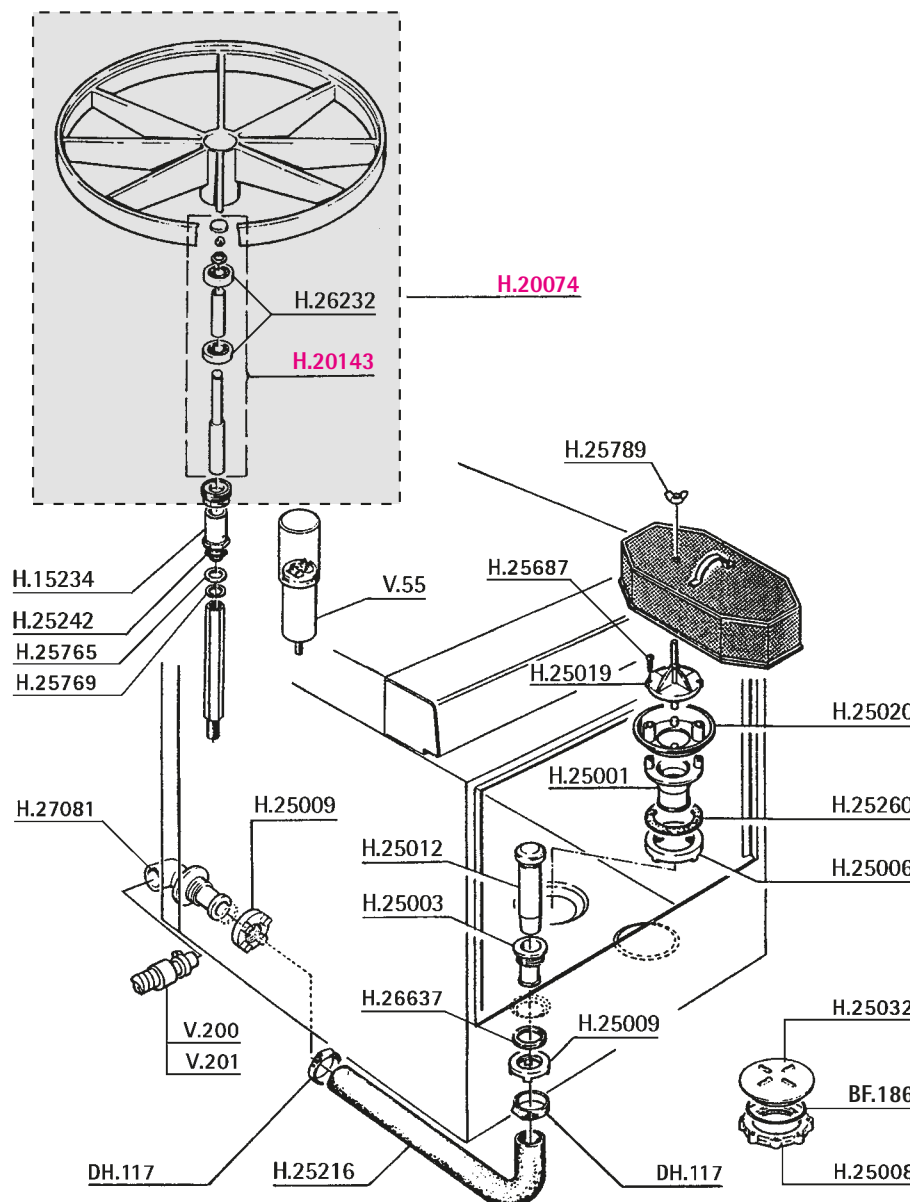
REF.	DESCRIPCIÓN	DESCRIPTION
BF.186	TORICA CALDERA GOMA	RUBBER RING
H15234	BASE EJE	ROD BASE
H20074	VOLANTE COMPLETO 40.5CM	40.5CM ROTATING PLATE
H20142	EJE VOLANTE	PLATE ROD
H25001	BASE FILTRO	FILTER BASE
H25002	RACOR DESAGÜE	DRAIN FITTING
H25005	TUERCA PLASTICO	PLASTIC NUT
H25006	TUERCA PLASTICO	PLASTIC NUT
H25008	TUERCA PLASTICO	NUT
H25015	SOBRENIVEL	OVERFLOW
H25019	SOPORTE FILTRO	FILTER SUPPORT
H25020	PROTECTOR RESIDUOS	RESIDUES PROTECTOR
H25032	TAPON	CAP
H25107	RACOR DESAGÜE	DRAIN FITTING
H25216	TUBO DESAGÜE TODOS MODELO	OUTLET PIPE
H25242	TORICA GOMA	RUBBER RING
H25260	JUNTA GOMA	RUBBER GASKET
H25261	JUNTA GOMA	RUBBER GASKET
H25687	TORNILLO	SCREW
H25765	ARANDELA INOX	INOX WASHER
H25769	ARANDELA GROWER	GROWER WASHER
H25789	PALOMILLA FILTRO	FILTER SMUGGLER
H25807	ABRAZADERA 25-40	25-40 CLAMP
V...55	CONDENSADOR 10 MF 220V	220V 10MF.CONDENSER
V.200	TUBO DESAGÜE 17mm 1,8mt	17mm. 1.8mt OUTLET PIPE
V.201	TUBO DESAGÜE 28mm. 1,5mt.	28mm. 1.5mt OUTLET PIPE





REF.	DESCRIPCIÓN	DESCRIPTION
H..105	RESISTENCIA 4000W 230V	4000W 230V RESISTANCE
H15226	TUERCA CALDERIN INOX	INOX BOILER NUT
H15235	SOPORTE ASTA ACLARADO	RINSING ARM SUPPORT
H15241	TUERCA	NUT
H15270	TUERCA	NUT
H16022	INTERCAMBIADOR DE CALOR	HEAT EXCHANGER
H20085	ASTA ACLARADO CM/NK-60	CM/NK-60 RINSE ARM
H20109	ASTA LAVADO CM/NK-60	CM/NK-60 WASHING ARM
H20183	CALDERIN	BOILER
H21021	RACOR ACLARADO	RINSE FITTING
H25007	TUERCA PLASTICO	PLASTIC NUT
H25010	CAMARA PRESOSTATICA	PRESSURE SWITCH CHAMBER
H25011	RACOR PLASTICO	FITTING
H25059	BRIDA INFERIOR ROCIADOR	LOWER CLASP
H25060	BRIDA SUPERIOR ROCIADOR	UPPER CLASP
H25074	ROCIADOR LAVADO DOBLE	DOUBLE WASHING SPRAY
H25075	ROCIADOR LAVADO SIMPLE	WASHING SPRAY
H25077	BRAZO INF. ASTA LAVADO	WASHING LOWER ARM
H25080	TAPON ASTA LAVADO	WASHING ARM CAP
H25083	CURVA LAVADO 2 VIAS	WASHING BRAS PIPE
H25084	TUBO ASTA LAVADO	WASHING BRAS PIPE
H25085	TUBO ASTA LAVADO	WASHING BRAS PIPE
H25086	TUBO ASTA LAVADO	WASHING BRAS PIPE
H25087	TUBO ASTA LAVADO	WASHING BRAS PIPE
H25088	TUBO ASTA LAVADO	WASHING BRAS PIPE
H25239	TORICA CIERRE	CLOSING RING
H25242	TORICA GOMA	RUBBER RING
H25256	JUNTA PLANA GOMA	FLAT RUBBER GASKET
H25259	JUNTA GOMA	RUBBER GASKET
H25261	JUNTA GOMA	RUBBER GASKET
H25263	JUNTA CIERRE GOMA	CLOSING RUBBER GASKET
H25370	RESIST.CUBA 2000W 230V	2000W 230V TANK RESISTANCE
H25432	PRESOSTATO SAL/HOR.60/45	60/45 HORIZ.PRESS.SWITCH
H25697	TORNILLO	SCREW
H25714	TORNILLO INOX	INOX SCREW
H25768	ARANDELA	WASHER
H25776	TUERCA INOX	INOX NUT
H26515	ARANDELA CONICA	CONIC WASHER
H29938	JUNTA RESIST.TRIANG.GOMA	RESISTANCE RUBBER GASKET
LB.142	TUERCA RACORD LC-80	LC-80 FITTING NUT
V.448	TUBO PRESOSTATO-METRO 4X6	4X6 PRE.SWITCH INLET PIPE

Volante / Varios NK-CM-60 ■ NK-CM-60 Various / Rotating plate



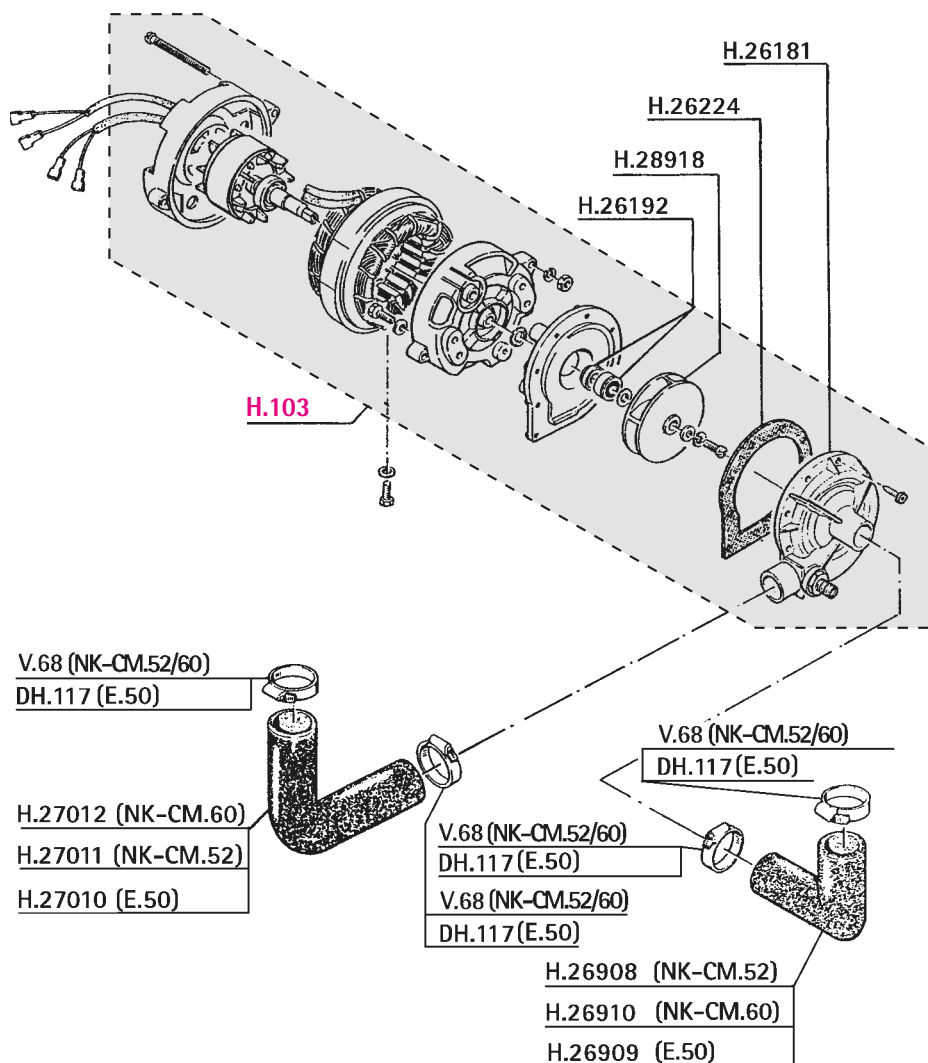
REF.	DESCRIPCIÓN	DESCRIPTION
BF.186	TORICA CALDERA GOMA	RUBBER RING
DH.117	ABRAZADERA 46-70	46-70 CLAMP
H15234	BASE EJE	ROD BASE
H20074	VOLANTE COMPLETO 40.5CM	40.5CM ROTATING PLATE
H20143	EJE VOLANTE NK/CM-60	NK/CM-60 ROTAT.PLATE ROD
H25001	BASE FILTRO	FILTER BASE
H25003	RACOR DESAGÜE	DRAIN FITTING
H25006	TUERCA PLASTICO	PLASTIC NUT
H25008	TUERCA PLASTICO	NUT
H25009	TUERCA PLASTICO	PLASTIC NUT
H25012	SOBRENIV.NK/CM60	NK/CM60 T5-6/80 OVERFLOW
H25019	SOPORTE FILTRO	FILTER SUPPORT
H25020	PROTECTOR RESIDUOS	RESIDUES PROTECTOR
H25032	TAPON	CAP
H25216	TUBO DESAGÜE TODOS MODELO	OUTLET PIPE
H25242	TORICA GOMA	RUBBER RING
H25260	JUNTA GOMA	RUBBER GASKET
H25687	TORNILLO	SCREW
H25765	ARANDELA INOX	INOX WASHER
H25769	ARANDELA GROWER	GROWER WASHER
H25789	PALOMILLA FILTRO	FILTER SMUGGLER
H26232	COJINETE EJE	ROD BALL BEARING
H26637	JUNTA PILETA GOMA	RUBBER GASKET
H27081	RACOR DESAGÜE	DRAIN FITTING
V...55	CONDENSADOR 10 MF 220V	220V 10MF.CONDENSER
V.200	TUBO DESAGÜE 17mm 1,8mt	17mm. 1.8mt OUTLET PIPE
V.201	TUBO DESAGÜE 28mm. 1,5mt.	28mm. 1.5mt OUTLET PIPE

The components with circle are under request. CONSULT US.

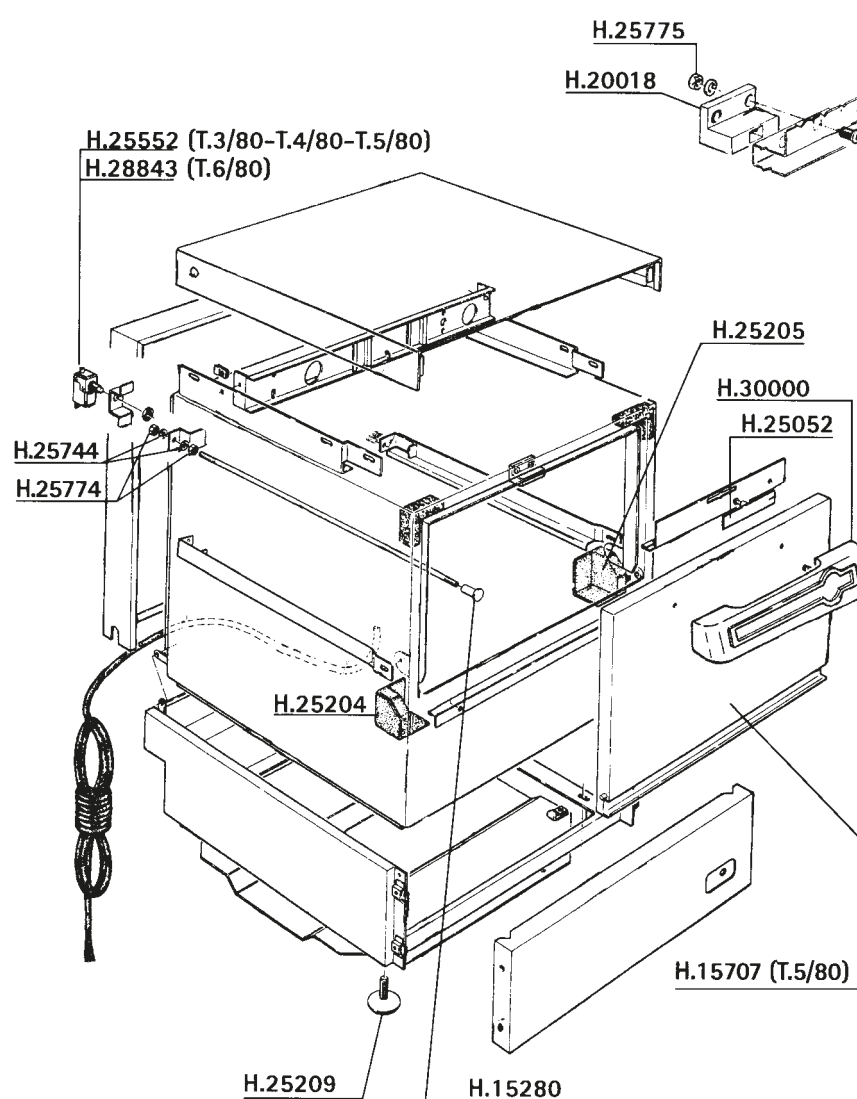
① ② ③ ...

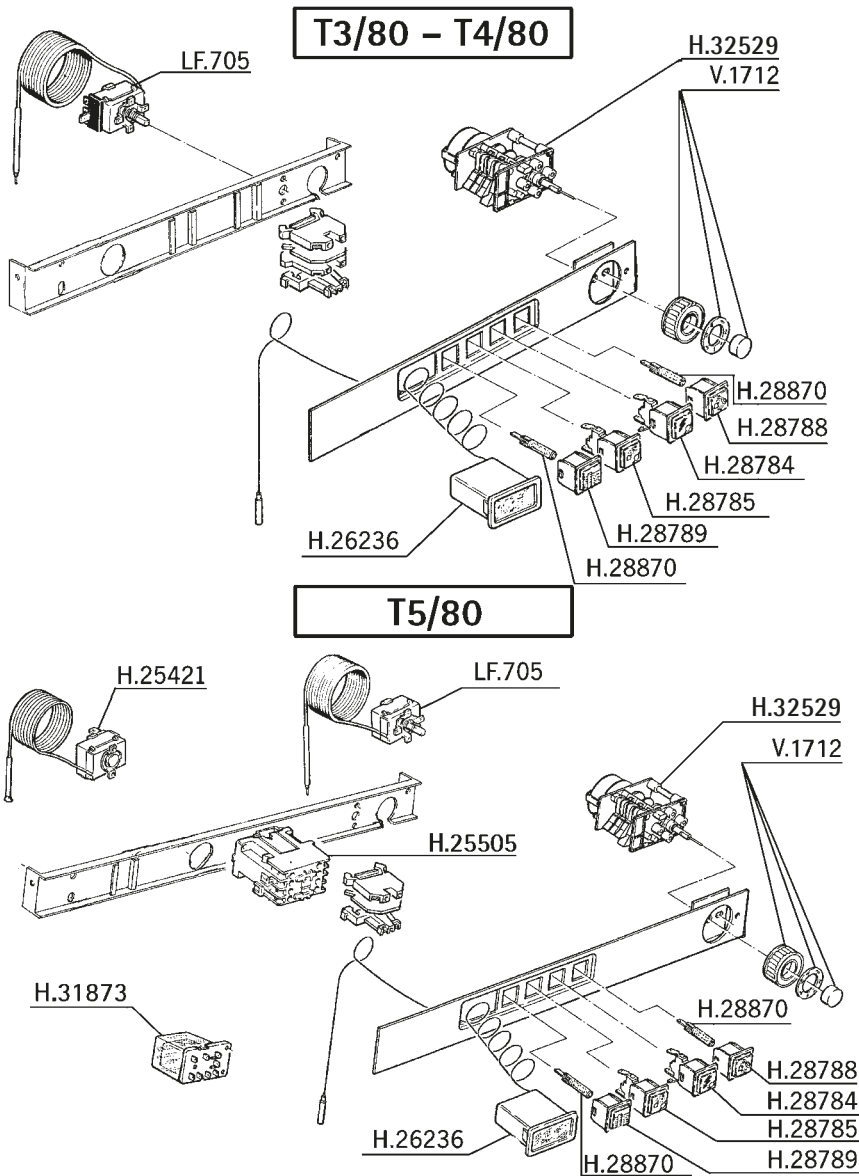


REF.	DESCRIPCIÓN	DESCRIPTION
DH.117	ABRAZADERA 46-70	46-70 CLAMP
H.103	MOTOR HR75	HR75 MOTOR
H26181	TAPA BOMBA	MOTOR LID
H26192	RETEN EJE BOMBA	MECHANICAL SEAL
H26224	JUNTA TAPA BOMBA GOMA	PUMP COVER RUBBER GASKET
H26908	MANGUITO ASPIRACION	SUCTION SLEEVE
H26909	MANGUITO ASPIRACION E50	E-50 SUCTION SLEEVE
H26910	MANGUITO ASPIRACION CM-60	CM-60 SUCTION SLEEVE
H27010	MANGUITO ENVIO CM48-E50	OUTLET SLEEVE
H27011	MANGUITO ENVIO	OUTLET SLEEVE
H27012	MANGUITO ENVIO CM60	CM60 OUTLET SLEEVE
H28918	TURBINA T5/80	T5/80 TURBINE
V...68	ABRAZADERA 32-50	35-50 CLAMP

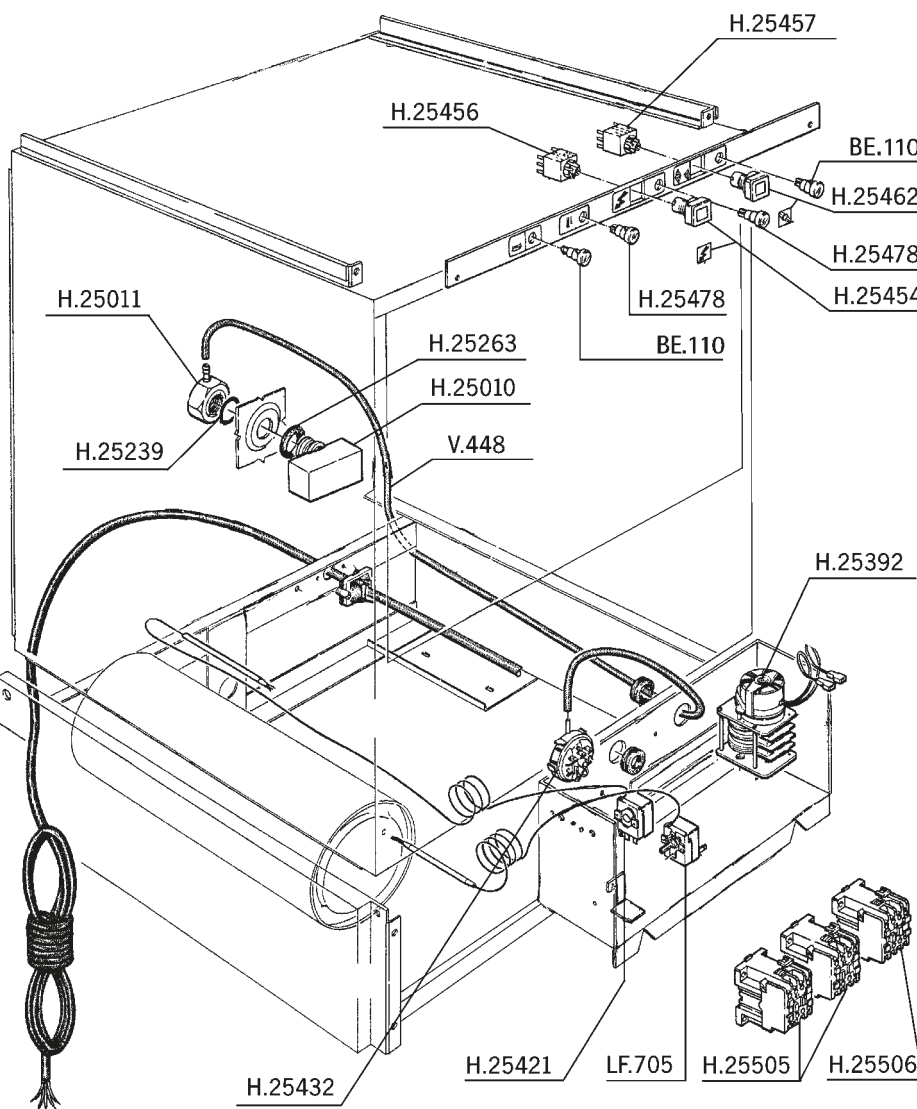


REF.	DESCRIPCIÓN	DESCRIPTION
H15280	PULSADOR PARO	STOP PUSH-BUTTON
H15707	PUERTA	DOOR
H20018	CIERRE PUERTA TRASERO	POSTERIOR CLOSING DOOR
H25052	CIERRE PUERTA DELANTERO	FORE CLOSING DOOR
H25204	CANTONERA IZQUIERDA	LEFT SQUARE
H25205	CANTONERA DERECHA	RIGHT SQUARE
H25209	PIE MAQUINA	MACHINE FOOT
H25552	MICRO PUERTA 250V 15A	250V 15A DOOR MICROSWITCH
H25744	ARANDELA	WASHER
H25774	TUERCA	NUT
H25775	TUERCA	NUT
H28843	M.PUERTA T6/80 250V 16A	250V 16A T6/80 DOOR MICRO
H30000	MANETA PUERTA	DOOR HANDLE



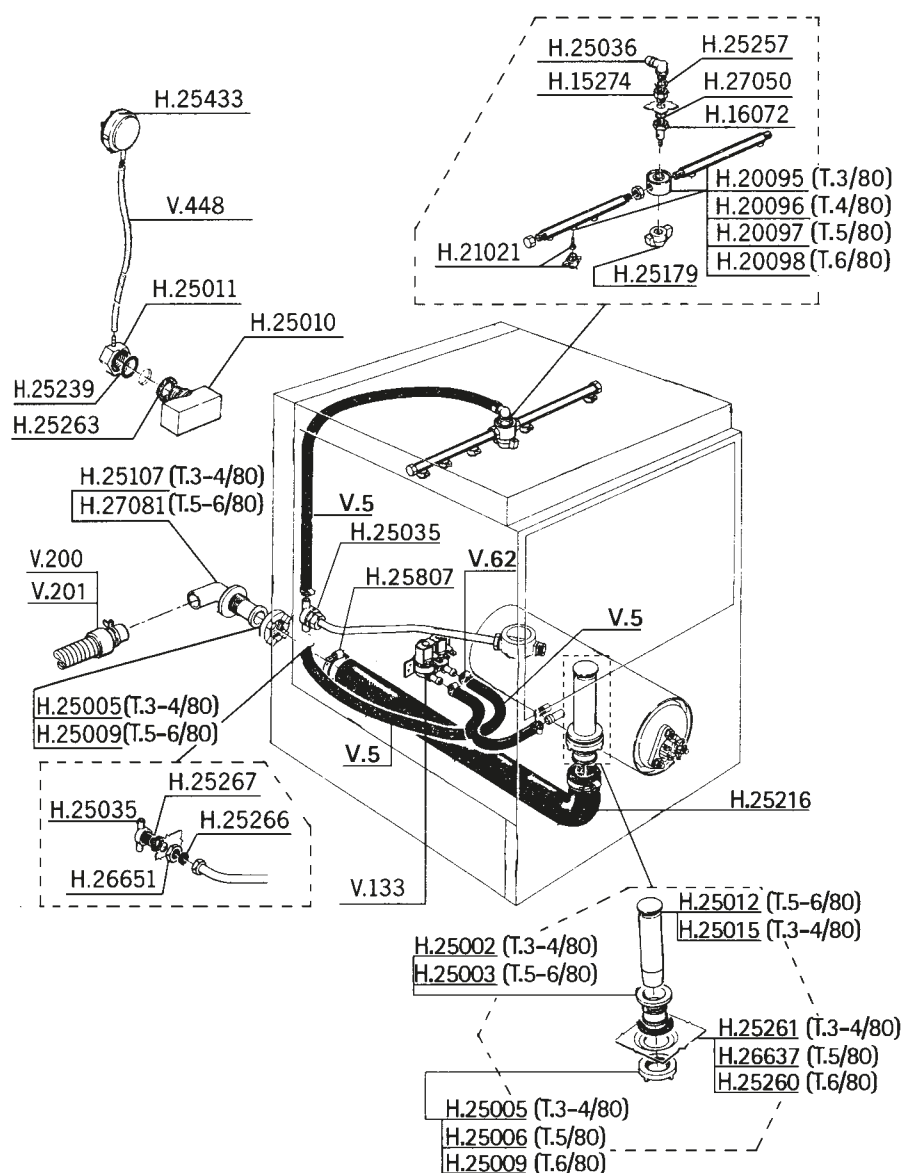


REF.	DESCRIPCIÓN	DESCRIPTION
H25421	TERMOSTATO FIJO 55°	55° EVAPORATION THERMOSTAT
H25505	CONTACTOR 11BF9	11BF9 CONTACTOR
H26236	TERMOMETRO 0/120° C	THERMOMETER
H28784	INTERRUPTOR LINEA	SWITCH
H28785	INTERRUPTOR ACLARADO	RINSE SWITCH
H28788	PILOTO ACLARADO AMBAR	RINSE YELLOW LAMP
H28789	PILOTO	RINSE
H28870	PILOTO BLANCO 8mm C.CABLE	8mm W.WIRING GREEN LAMP
H31873	CONTACTOR	CONTACTOR
H32529	PRO.PULSANTE TRES MICROS 360 S	3TOOTH 360S PUSH TIMER
LF.705	TERMOSTATO 90° BULBO 3mt.	90° BULB 3m THERMOSTAT
V.1712	MANDO PROGRAMADOR PULSANTE	PUSH TIMER HANDLE

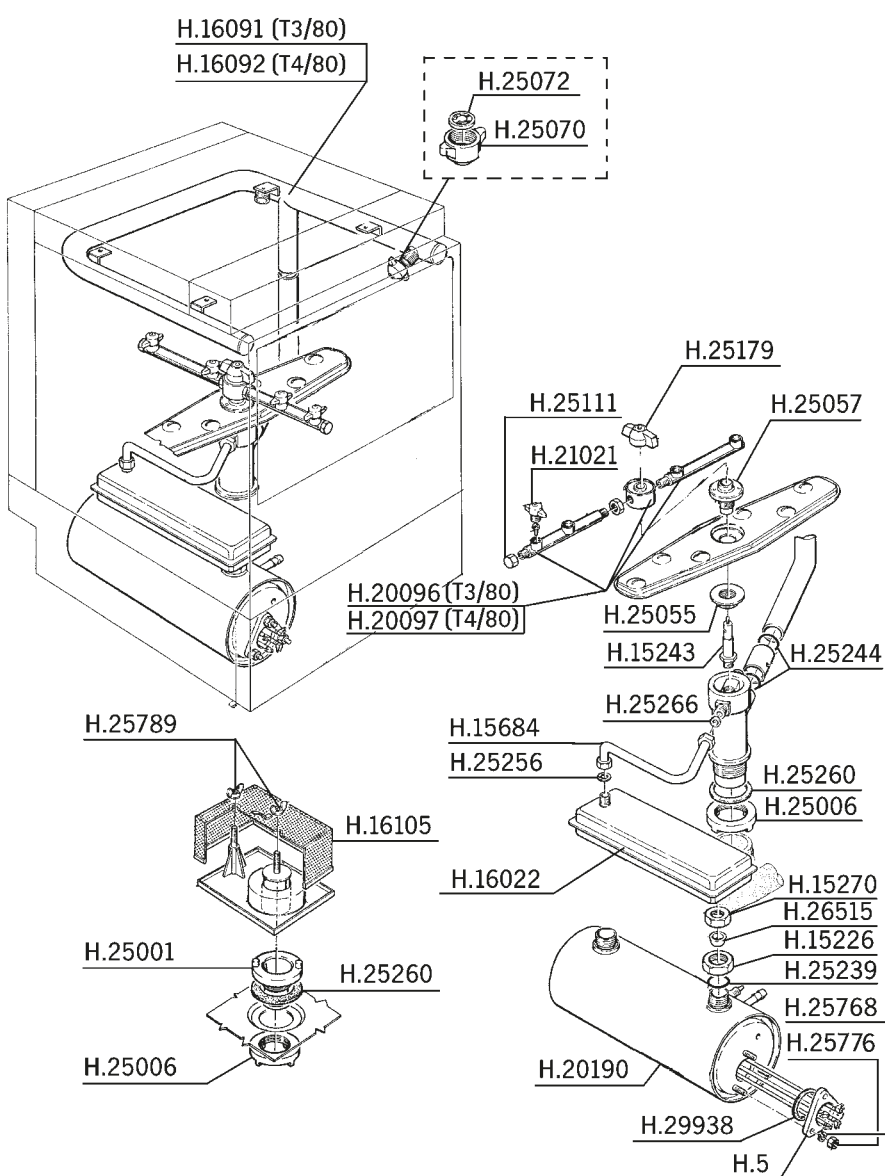


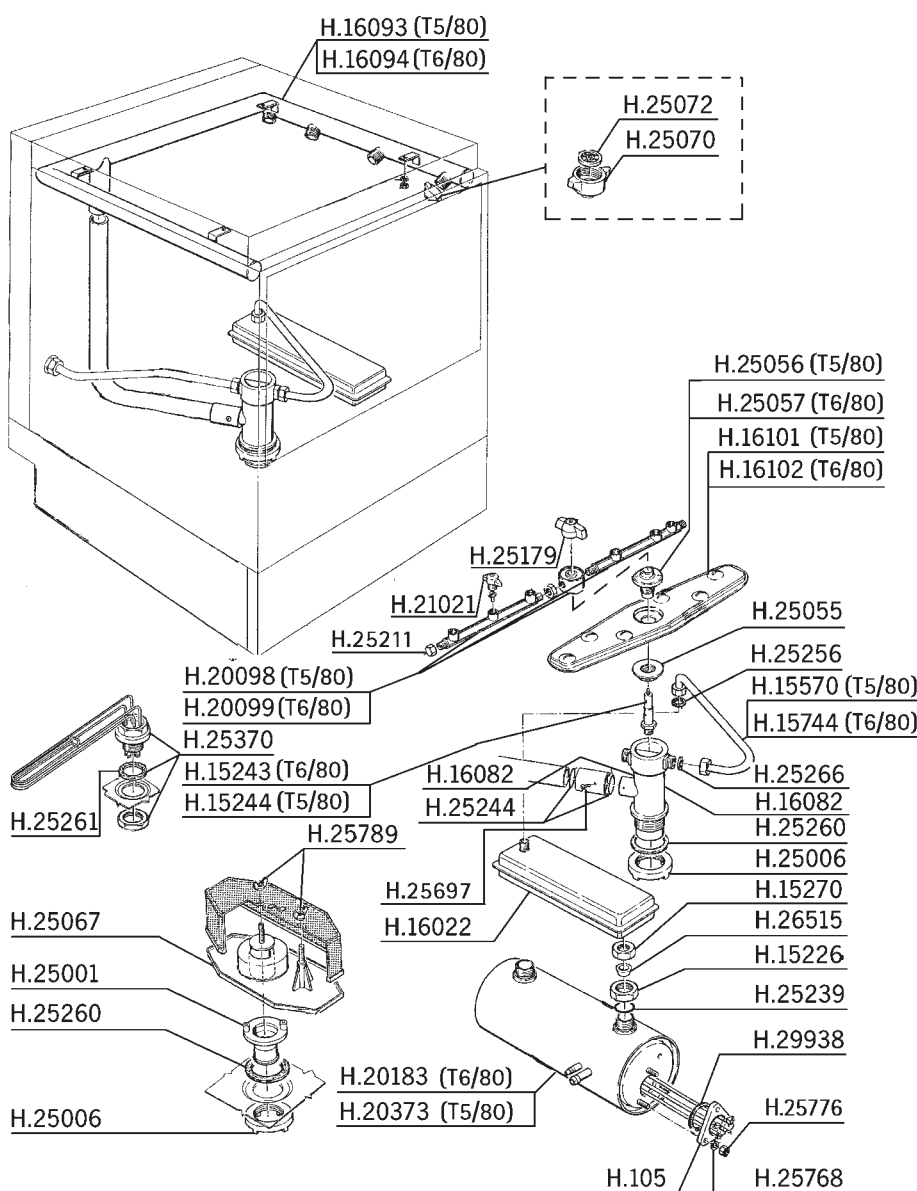
REF.	DESCRIPCIÓN	DESCRIPTION
BE.110	PILOTO AMBAR 13mm 220V	13mm 220V YELLOW LAMP
H25010	CAMARA PRESOSTATICA	PRESSURE SWITCH CHAMBER
H25011	RACOR PLASTICO	FITTING
H25239	TORICA CIERRE	CLOSING RING
H25263	JUNTA CIERRE GOMA	CLOSING RUBBER GASKET
H25392	PROGRAMADOR 3 MICROS 180S	3 TOOTH 180S TIMER
H25421	TERMOSTATO FIJO 55°	55° EVAPORATION THERMOSTAT
H25432	PRESOSTATO SAL/HOR.60/45	60/45 HORIZ.PRESS.SWITCH
H25454	PULSANTE PTA.MARCHA RESIS	RESISTANCE PUSH-BUTTON
H25456	INTERRUPTOR 6 FAXTON	6 FAXTON SWITCH
H25457	INTERRUPTOR FAXTON	FAXTON SWITCH
H25462	INTERRUPTOR TRANSPARENTE	TRANSPARENT SWITCH
H25478	PILOTO ROJO 13MM 220V	13mm 220 RED WARNING LAMP
H25505	CONTACTOR 11BF9	11BF9 CONTACTOR
H25506	CONTACTOR CN-9	CN-9 CONTACTOR
LF.705	TERMOSTATO 90° BULBO 3mt.	90° BULB 3m THERMOSTAT
V.448	TUBO PRESOSTATO-METRO 4X6	4X6 PRE.SWITCH INLET PIPE

REF.	DESCRIPCIÓN	DESCRIPTION
H15274	RACOR	FITTING
H16072	PERNO ASTA	TREE BOLT
H20095	ASTA ACLARADO	RINSE ARM
H20096	ASTA ACLARADO	RINSE ARM
H20097	ASTA ACLARADO	RINSE ARM
H20098	ASTA ACLARADO	RINSE ARM
H21021	RACOR ACLARADO	RINSE FITTING
H25002	RACOR DESAGÜE	DRAIN FITTING
H25003	RACOR DESAGÜE	DRAIN FITTING
H25005	TUERCA PLASTICO	PLASTIC NUT
H25006	TUERCA PLASTICO	PLASTIC NUT
H25009	TUERCA PLASTICO	PLASTIC NUT
H25010	CAMARA PRESOSTATICA	PRESSURE SWITCH CHAMBER
H25011	RACOR PLASTICO	FITTING
H25012	SOBRENIV.NK/CM60	NK/CM60 T5-6/80 OVERFLOW
H25015	SOBRENIVEL	OVERFLOW
H25035	*TOACLARADO	CLEAR UNION
H25036	RACOR CODO	FITTING
H25107	RACOR DESAGÜE	DRAIN FITTING
H25179	TUERCA SUJECCION ASTA	ARM FIXING NUT
H25216	TUBO DESAGÜE TODOS MODELO	OUTLET PIPE
H25239	TORICA CIERRE	CLOSING RING
H25257	JUNTA PLANA GOMA	FLAT RUBBER GASKET
H25260	JUNTA GOMA	RUBBER GASKET
H25261	JUNTA GOMA	RUBBER GASKET
H25263	JUNTA CIERRE GOMA	CLOSING RUBBER GASKET
H25266	JUNTA PLANA GOMA	FLAT RUBBER GASKET
H25267	JUNTA GOMA	RUBBER GASKET
H25433	PRESOSTATO SAL.HOR.35/8	35/8 HORZ.PRESS.SWITCH
H25807	ABRAZADERA 25-40	25-40 CLAMP
H26637	JUNTA PILETA GOMA	RUBBER GASKET
H26651	TUERCA "T" ACLARADO	T CLEAR NUT
H27050	SERVIR CA.249	GO TO CA.249
H27081	RACOR DESAGÜE	DRAIN FITTING
V....5	TUBO GOMA 10X16 20 ATM	20ATM 10X17 RUBBER PIPE
V..62	ABRAZADERA 12-20	12-20 CLAMP
V..133	ELECTROVAL.2 VIA LAV.220V	WASH 2 WAYS 220V SOLENOID
V..200	TUBO DESAGÜE 17mm 1,8mt	17mm. 1.8mt OUTLET PIPE
V..201	TUBO DESAGÜE 28mm. 1,5mt.	28mm. 1.5mt OUTLET PIPE
V..448	TUBO PRESOSTATO-METRO 4X6	4X6 PRE.SWITCH INLET PIPE



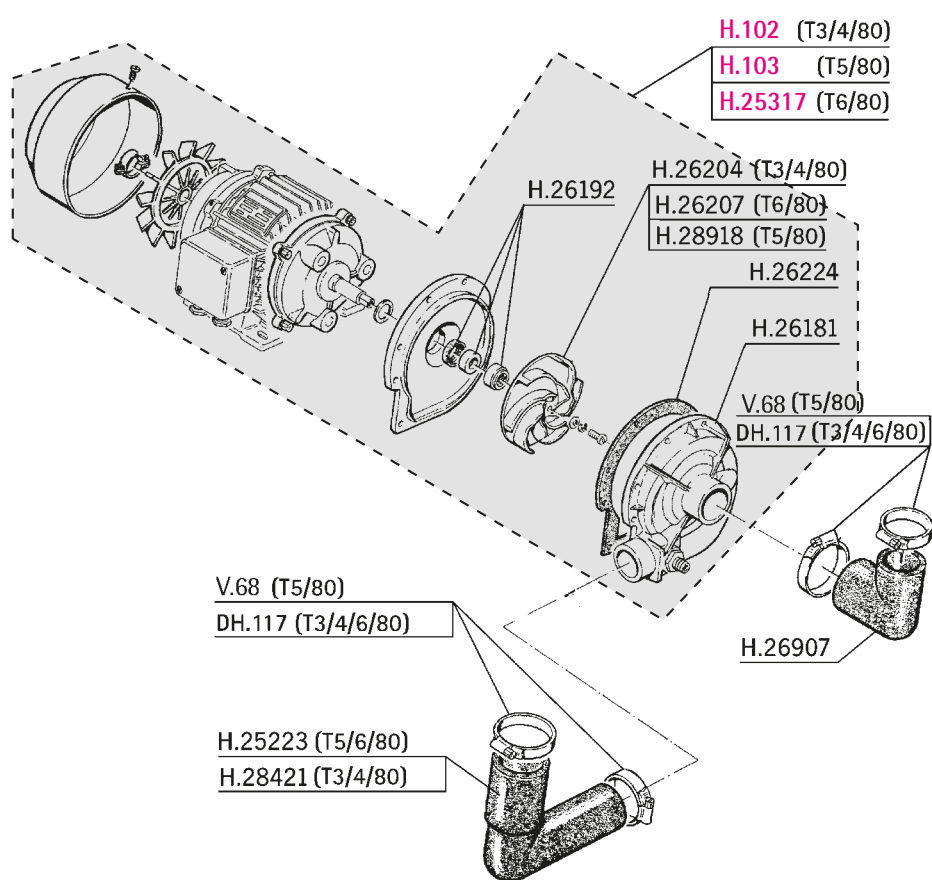
REF.	DESCRIPCIÓN	DESCRIPTION
H....5	RESIST.CALDERIN 2700W 230V	2700W 230V BOILER RESISTANCE
H15226	TUERCA CALDERIN INOX	INOX BOILER NUT
H15243	PERNO ASTA ACL.T3/4/6/80	T3/4/6/80 RINSE ARM BOLT
H15270	TUERCA	NUT
H15684	TUBO EMPALME	UNION PIPE
H16022	INTERCAMBIADOR DE CALOR	HEAT EXCHANGER
H16091	ASTA LAVADO T3/80	T3/80 WASHING ARM
H16092	ASTA LAVADO T4/80	T4/80 WASHING ARM
H16105	FILTRO T3-T4/80	T-3 T-4/80 FILTER
H20096	ASTA ACLARADO	RINSE ARM
H20097	ASTA ACLARADO	RINSE ARM
H20190	CALDERIN	BOILER
H21021	RACOR ACLARADO	RINSE FITTING
H25001	BASE FILTRO	FILTER BASE
H25006	TUERCA PLASTICO	PLASTIC NUT
H25055	TUERCA PERNO ASTA LAVADO	NUT
H25057	PERNO ASTA LAV.T3/4/6/80	T3/4/6/80 WASH ARM BOLT
H25070	RACOR LAVADO	WASHING FITTING
H25072	ESTRANGULADOR LAVADO	WASHING SWIRL
H25111	TUERCA	NUT
H25179	TUERCA SUJECCION ASTA	ARM FIXING NUT
H25239	TORICA CIERRE	CLOSING RING
H25244	TORICA CIERRE	CLOSING RING
H25256	JUNTA PLANA GOMA	FLAT RUBBER GASKET
H25260	JUNTA GOMA	RUBBER GASKET
H25266	JUNTA PLANA GOMA	FLAT RUBBER GASKET
H25768	ARANDELA	WASHER
H25776	TUERCA INOX	INOX NUT
H25789	PALOMILLA FILTRO	FILTER SMUGGLER
H26515	ARANDELA CONICA	CONIC WASHER
H29938	JUNTA RESIST.TRIANG.GOMA	RESISTANCE RUBBER GASKET





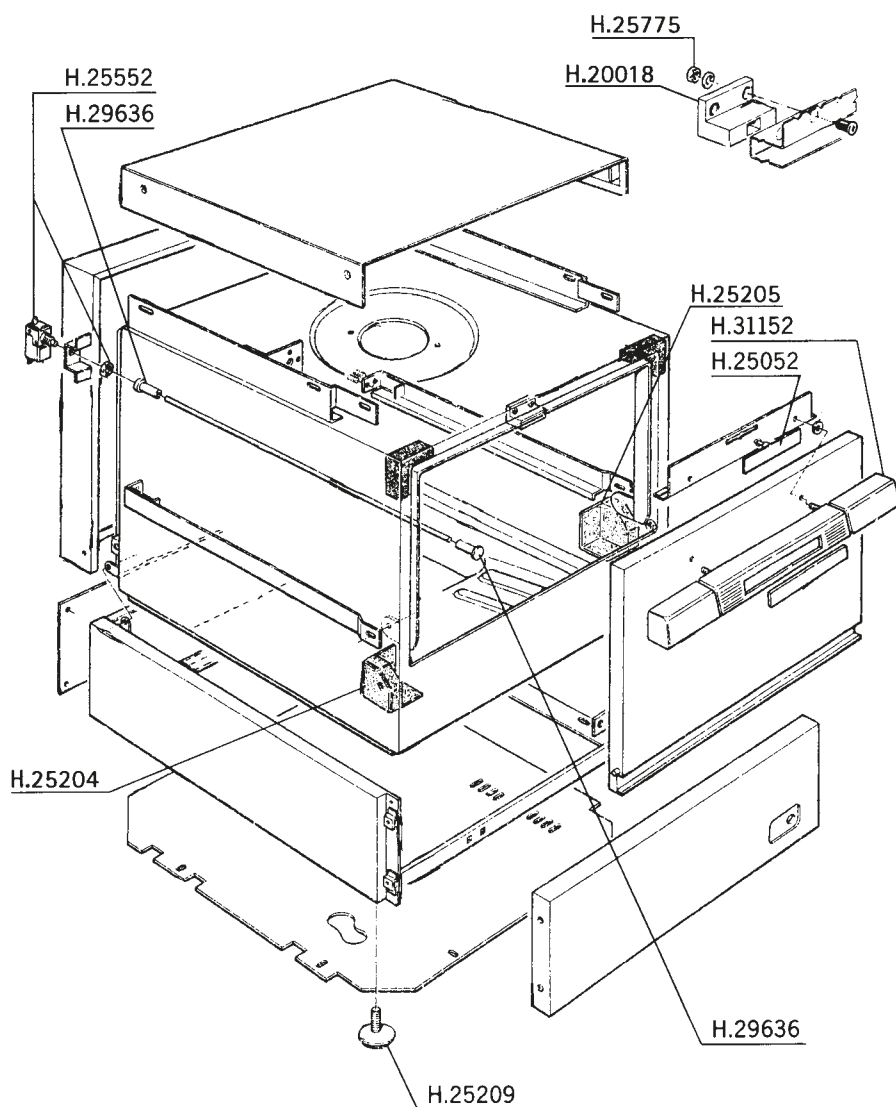
REF.	DESCRIPCIÓN	DESCRIPTION
H..105	RESISTENCIA 4000W 230V	4000W 230V RESISTANCE
H15226	TUERCA CALDERIN INOX	INOX BOILER NUT
H15243	PERNO ASTA ACL.T3/4/6/80	T3/4/6/80 RINSE ARM BOLT
H15244	PERNO ASTA ACL.T5/80	T5/80 RINSE ARM BOLT
H15270	TUERCA	NUT
H15570	TUBO EMPALME T5/80	T5/80 PIPE
H15744	TUBO EMPALME T6/80	T6/80 PIPE
H16022	INTERCAMBIADOR DE CALOR	HEAT EXCHANGER
H16082	COLECTOR T-5/80	T-5/80 COLLECTOR
H16093	ASTA LAVADO T5/80	T5/80 WASHING ARM
H16094	ASTA LAVADO T6/80	T6/80 WASHING ARM
H16101	ASTA LAVADO T5/80	T5/80 WASHING ARM
H16102	ASTA LAVADO T6/80	T6/80 WASHING ARM
H20098	ASTA ACLARADO	RINSE ARM
H20099	ASTA ACLARADO	RINSE ARM
H20183	CALDERIN	BOILER
H20373	CALDERIN T5/80	T5/80 BOILER
H21021	RACOR ACLARADO	RINSE FITTING
H25001	BASE FILTRO	FILTER BASE
H25006	TUERCA PLASTICO	PLASTIC NUT
H25055	TUERCA PERNO ASTA LAVADO	NUT
H25056	PERNO ASTALAV.T5/80-ED-650	T5/80 ED650 WASH ARM BOLT
H25057	PERNO ASTA LAV.T3/4/6/80	T3/4/6/80 WASH ARM BOLT
H25067	BASE FILTRO	FILTER BASE
H25070	RACOR LAVADO	WASHING FITTING
H25072	ESTRANGULADOR LAVADO	WASHING SWIRL
H25179	TUERCA SUJECCION ASTA	ARM FIXING NUT
H25211	VALVULA ABRILLANTADOR	VALVE
H25239	TORICA CIERRE	CLOSING RING
H25244	TORICA CIERRE	CLOSING RING
H25256	JUNTA PLANA GOMA	FLAT RUBBER GASKET
H25260	JUNTA GOMA	RUBBER GASKET
H25261	JUNTA GOMA	RUBBER GASKET
H25266	JUNTA PLANA GOMA	FLAT RUBBER GASKET
H25370	RESIST.CUBA 2000W 230V	2000W 230V TANK RESISTANCE
H25697	TORNILLO	SCREW
H25768	ARANDELA	WASHER
H25776	TUERCA INOX	INOX NUT
H25789	PALOMILLA FILTRO	FILTER SMUGGLER
H26515	ARANDELA CONICA	CONIC WASHER
H29938	JUNTA RESIST.TRIANG.GOMA	RESISTANCE RUBBER GASKET

Motores T ■ T Motors

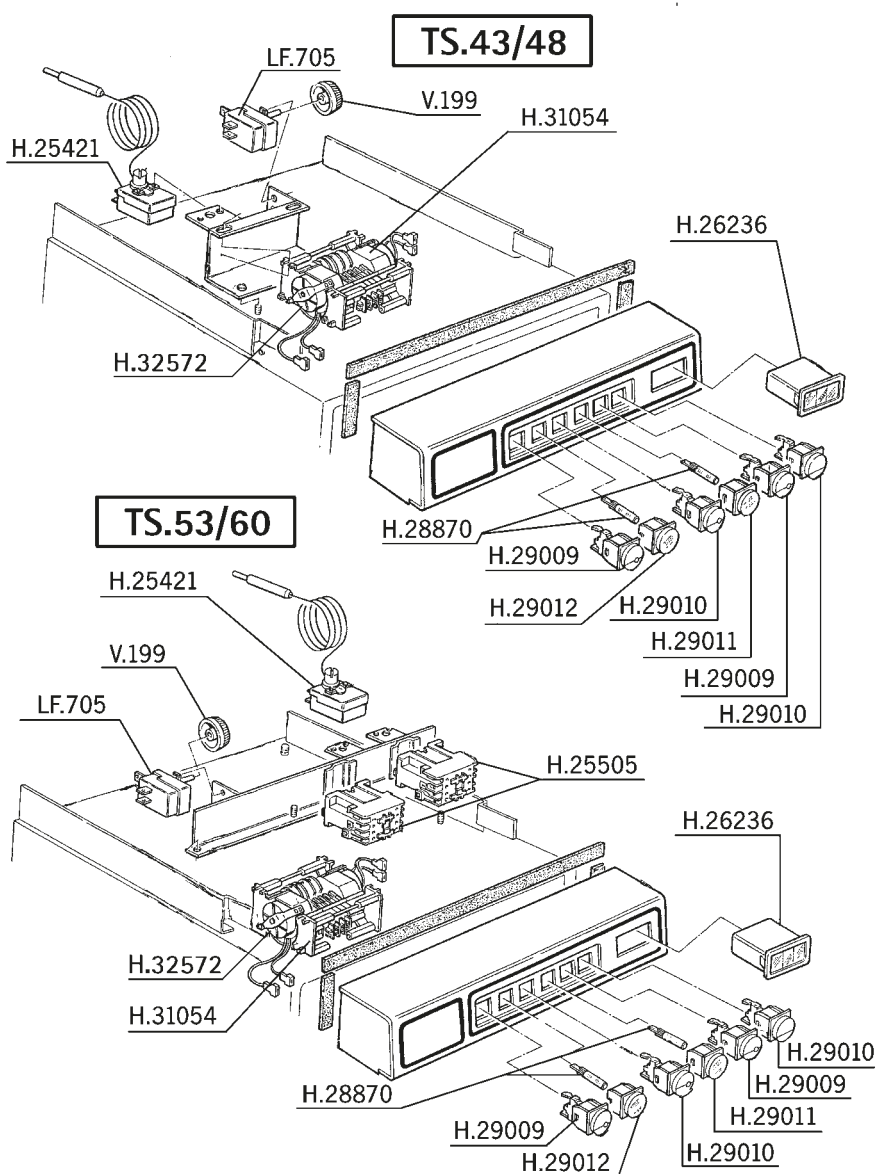


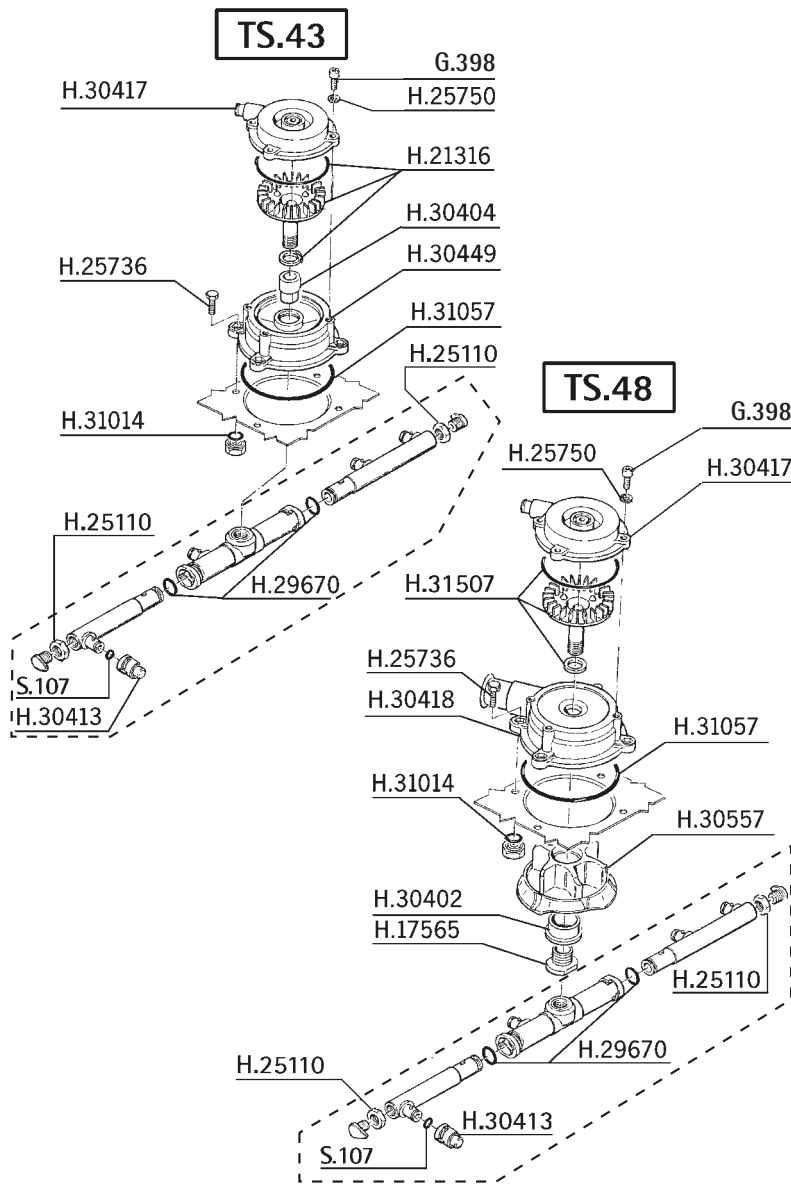
REF.	DESCRIPCIÓN	DESCRIPTION
DH.117	ABRAZADERA 46-70	46-70 CLAMP
H..102	MOTOR HP.33	HP.33 MOTOR
H..103	MOTOR HP.75	HP.75 MOTOR
H25223	MANGUITO ENVIO	OUTLET SLEEVE
H25317	MOTOR 1 CV	1 CV MOTOR
H26181	TAPA BOMBA	MOTOR LID
H26192	RETEN EJE BOMBA	MECHANICAL SEAL
H26204	TURBINA BOMBA	PUMP TURBINE
H26207	TURBINA BOMBA T6/80 TS 60	T-6/80 TS/60 PUMP TURBINE
H26224	JUNTA TAPA BOMBA GOMA	PUMP COVER RUBBER GASKET
H26907	MANGUITO ASPIRACION	SUCTION SLEEVE
H28421	MANGUITO ENVIO	OUTLET SLEEVE
H28918	TURBINA T5/80	T5/80 TURBINE
V...68	ABRAZADERA 32-50	32-50 CLAMP

REF.	DESCRIPCIÓN	DESCRIPTION
H20018	CIERRE PUERTA TRASERO	POSTERIOR CLOSING DOOR
H25052	CIERRE PUERTA DELANTERO	FORE CLOSING DOOR
H25204	CANTONERA IZQUIERDA	LEFT SQUARE
H25205	CANTONERA DERECHA	RIGHT SQUARE
H25209	PIE MAQUINA	MACHINE FOOT
H25552	MICRO PUERTA 250V 15A	250V 15A DOOR MICROSWITCH
H25775	TUERCA	NUT
H29636	PULSADOR PARO	STOP PUSH-BUTTON
H31152	MANETA PUERTA	DOOR HANDLE



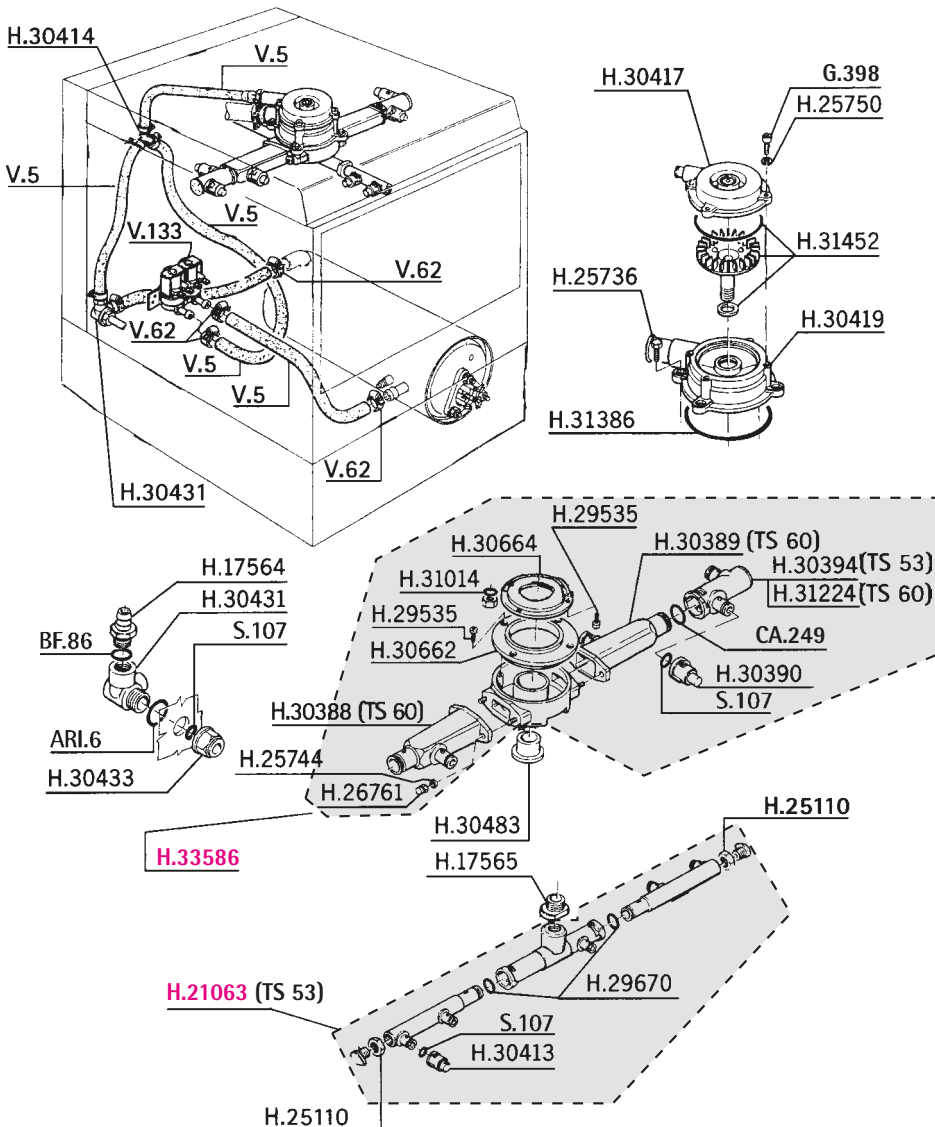
REF.	DESCRIPCIÓN	DESCRIPTION
H25421	TERMOSTATO FIJO 55°	55° EVAPORATION THERMOSTAT
H25505	CONTACTOR 11BF9	11BF9 CONTACTOR
H26236	TERMOMETRO 0/120° C	THERMOMETER
H28870	PILOTO BLANCO 8mm C.CABLE	8mm W.WIRING GREEN LAMP
H29009	PULSANTE LINEA	PUSH-BUTTON
H29010	PULSANTE CICLO	CYCLE PUSH-BUTTON
H29011	PILOTO AMBAR CICLO	YELLOW LAMP
H29012	PILOTO ROJO	RED WARNING LAMP
H31054	TIMER MODELOS TS	TS TIMER
H32572	MOTORREDUCTOR	MOTOREDUCING
LF.705	TERMOSTATO 90° BULBO 3mt.	90° BULB 3m THERMOSTAT
V..199	MANDO TERMOSTATO 200°	200° THERMOSTAT HANDLE





REF.	DESCRIPCIÓN	DESCRIPTION
G..398	TORNILLO ALLEN INOX PORTADUCHA	INOX SHOWERHOLDER SCREW
H17565	TUERCA ASTA EN TEFLON	TEFLON ARM NUT
H21092	ARTICULO DADO DE BAJA	CANCEL
H21316	TURBINA ACLARADO TS-43	TS-43 RINSE TURBINE
H25110	TUERCA HEXAGONAL PLASTICO	NUT
H25736	TORNILLO	SCREW
H25750	ARANDELA	WASHER
H29670	TORICA	RING
H30402	CASQUILLO	CAP
H30404	CASQUILLO DE GIRO	REVOLVING CAP
H30413	RACOR ACLARADO MIZAR CDR.	MIZAR CLEAR FITTING
H30417	TAPA ROCIADOR ACLARADO	RINSING WATER SPOUT LID
H30418	CUERPO TURBINA	TURBINE BODY
H30449	CUERPO TURBINA	TURBINE BODY
H30557	TURBINA LAVADO	WASHING TURBINE
H31014	TORICA CIERRE	CLOSING RING
H31057	TORICA CIERRE TURBINA	CLOSING RING
H31507	TURBINA TURBO INFERIOR	LOWER PIPE TURBINE
S..107	TORICA GOMA NBR	RING

Lavado / Aclarado superior TS-53-60 ■ TS-53-60 Upper rinse / Wash 1054

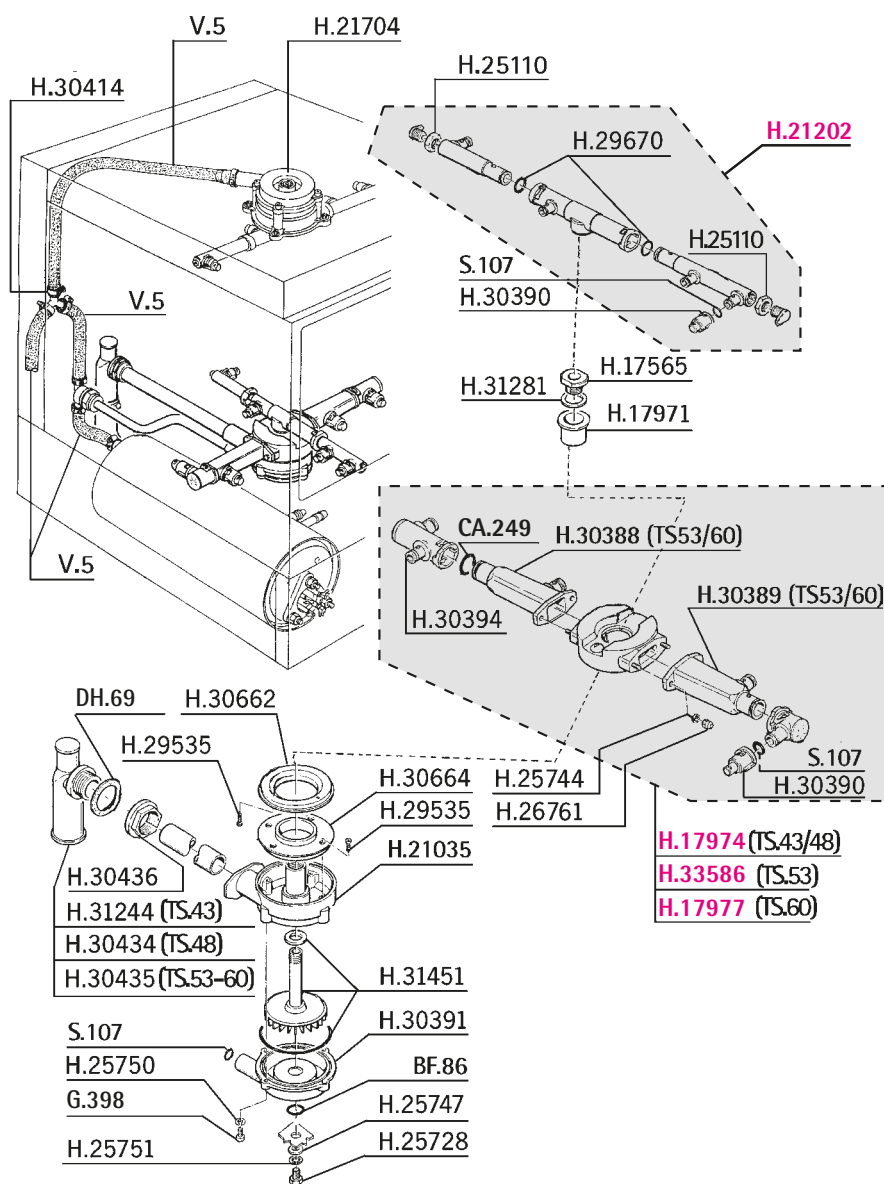


REF.	DESCRIPCIÓN	DESCRIPTION
ARI..6	TORICA GOMA	RUBBER RING
BF.86	TORICA GOMA	RUBBER RING
CA.249	TORICA VALVULA	VALVE RING
G..398	TORNILLO ALLEN INOX PORTADUCHA	INOX SHOWERHOLDER SCREW
H17564	RACOR	FITTING
H17565	TUERCA ASTA EN TEFLON	TEFLON ARM NUT
H21063	ASTA ACLARADO TS-53	TS-53 RINSE ARM
H25110	TUERCA HEXAGONAL PLASTICO	NUT
H25736	TORNILLO	SCREW
H25744	ARANDELA	WASHER
H25750	ARANDELA	WASHER
H26761	TUERCA LATON	NUT
H29535	TORNILLO INOX	INOX SCREW
H29670	TORICA	RING
H30388	BRAZO ASTA LAVADO TS53/60	TS53/60 WASH ARM
H30389	BRAZO ASTA LAVADO TS53/60	TS53/60 WASH ARM
H30390	RACOR LAVADO MIZAR CUADR	MIZAR WASHING FITTING
H30394	PROLONGACION ASTA TS53	TS-53 ARM EXTENSION
H30413	RACOR ACLARADO MIZAR CDR.	MIZAR CLEAR FITTING
H30414	RACOR EMPALME	UNION FITTING
H30417	TAPA ROCIADOR ACLARADO	RINSING WATER SPOUT LID
H30419	CUERPO TURBINA	TURBINE BODY
H30431	TUERCA "T"ACLARADO	T CLEAR NUT
H30433	TUERCA "T"ACLARADO	T CLEAR NUT
H30483	GUIA GIRO EN TEFLON	TEFLON REVOLVING GUIDE
H30662	TAPA SUPERIOR TURBO	TURBO UPPER LID
H30664	TAPA INFERIOR TURBO	TURBO LOWER LID
H31014	TORICA CIERRE	CLOSING RING
H31224	PROLONGACION ASTA TS 60	TS-60 ARM EXTENSION
H31386	TORICA TURBO INFERIOR	LOWER TURBO RING
H31452	TURBINA ACLARADO TS53/60	TS-53/60 RINSE TURBINE
H33586	ASTA LAVADO	WASHING ARM
S..107	TORICA GOMA NBR	RING
V....5	TUBO GOMA 10X16 20 ATM	20ATM 10X17 RUBBER PIPE
V..62	ABRAZADERA 12-20	12-20 CLAMP
V..133	ELECTROVAL.2 VIA LAV.220V	WASH 2 WAYS 220V SOLENOID

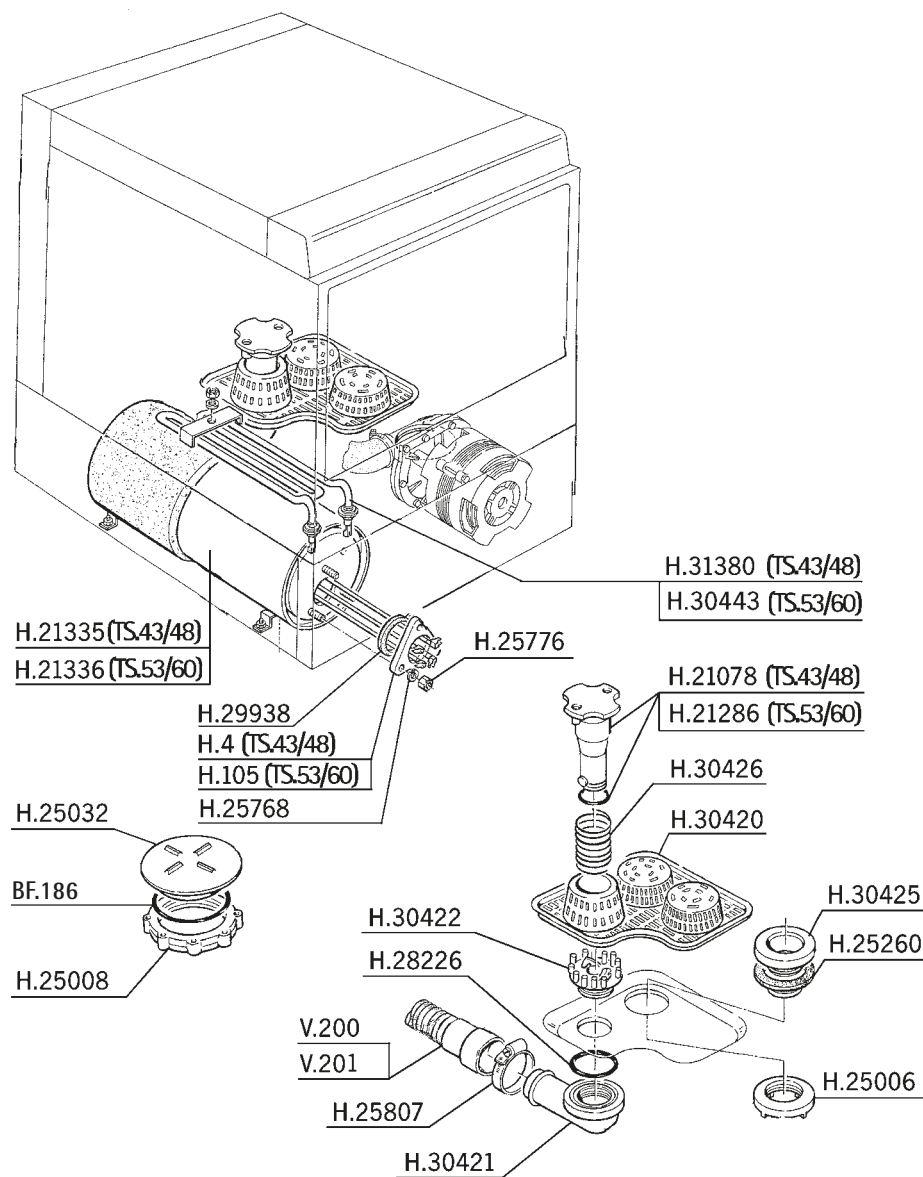
Solicite el DVD, incluye todos nuestros catálogos. Más de 50.000 artículos

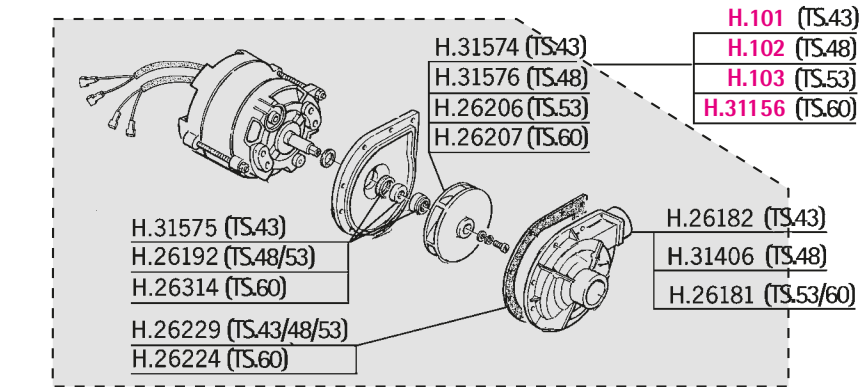
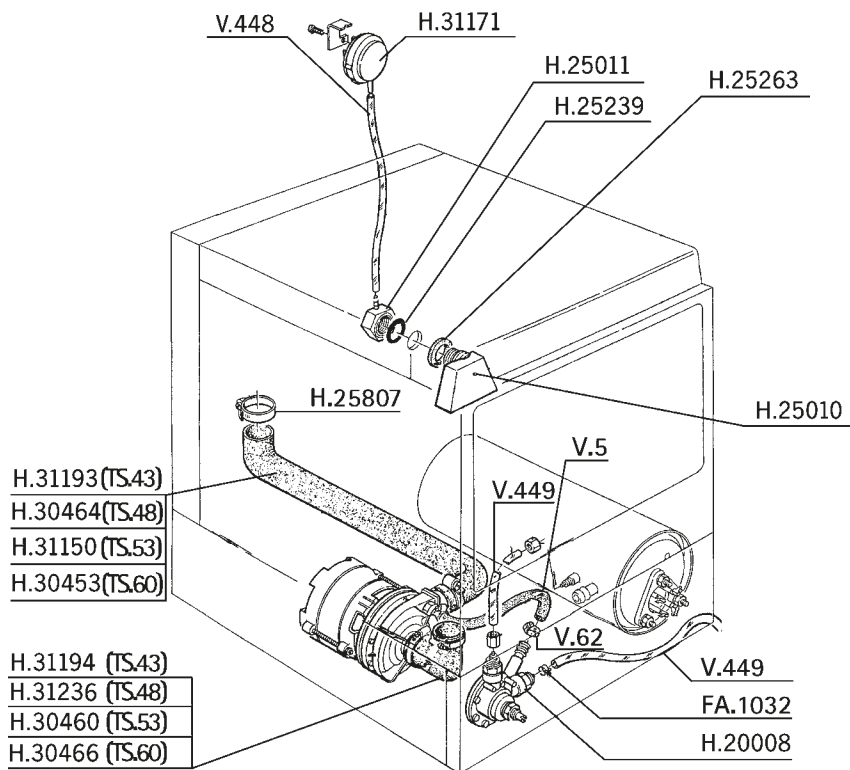


REF.	DESCRIPCIÓN	DESCRIPTION
BF.86	TORICA GOMA	RUBBER RING
CA.249	TORICA VALVULA	VALVE RING
DH..69	TORICA	RING
G..398	TORNILLO ALLEN INOX PORTADUCHA	INOX SHOWERHOLDER SCREW
H17565	TUERCA ASTA EN TEFLON	TEFLON ARM NUT
H17971	CASQUILLO	CAP
H17974	ASTA LAVADO	WASHING ARM
H17977	ASTA LAVADO	WASHING ARM
H21035	TURBO COMPLETO	COMPLET TURBO
H21202	ASTA ACLARADO TS-48/UNI48	TS-48/UNI48 RINSE ARM
H21704	TURBO SUPERIOR TS-48	UPPER TURBO
H25110	TUERCA HEXAGONAL PLASTICO	NUT
H25728	TORNILLO INOX	INOX SCREW
H25744	ARANDELA	WASHER
H25747	ARANDELA	WASHER
H25750	ARANDELA	WASHER
H25751	ARANDELA	WASHER
H26761	TUERCA LATON	NUT
H29535	TORNILLO INOX	INOX SCREW
H29670	TORICA	RING
H30388	BRAZO ASTA LAVADO TS53/60	TS53/60 WASH ARM
H30389	BRAZO ASTA LAVADO TS53/60	TS53/60 WASH ARM
H30390	RACOR LAVADO MIZAR CUADR	MIZAR WASHING FITTING
H30391	TAPA TURBINA	TURBINE LID
H30394	PROLONGACION ASTA TS53	TS-53 ARM EXTENSION
H30414	RACOR EMPALME	UNION FITTING
H30434	CODO LAVADO TS48/UNI43-48	TS48/UNI43-48 WASH ELBOW
H30435	CODO LAVADO TS-UNI-53/60	TS-UNI53/60 WASH.ELBOW
H30436	TUERCA	NUT
H30662	TAPA SUPERIOR TURBO	TURBO UPPER LID
H30664	TAPA INFERIOR TURBO	TURBO LOWER LID
H31244	CODO LAVADO TS-43	TS-43 WASHING ELBOW
H31281	ARANDELA NYLON	NYLON WASHER
H31451	TURBINA ACLARADO	RINSE TURBINE
H33586	ASTA LAVADO	WASHING ARM
S..107	TORICA GOMA NBR	RING
V....5	TUBO GOMA 10X16 20 ATM	20ATM 10X17 RUBBER PIPE



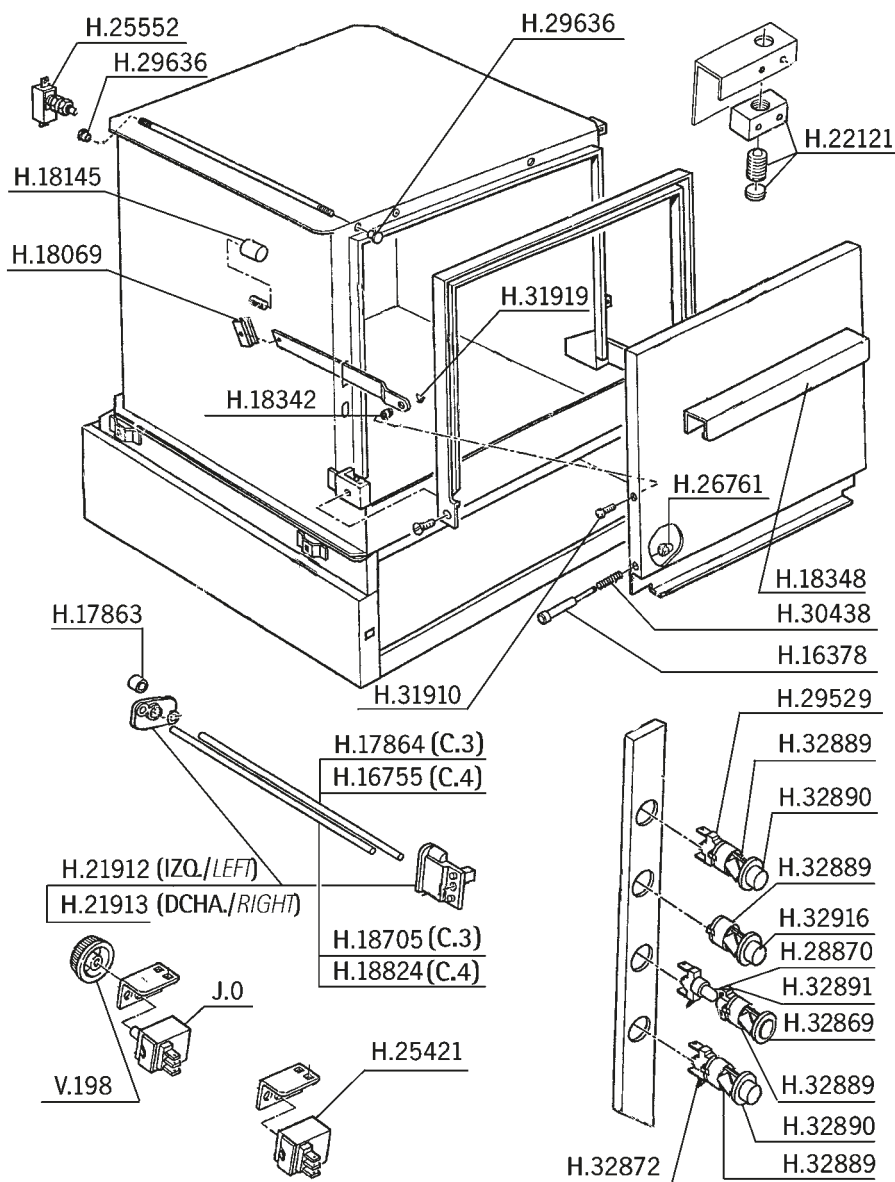
REF.	DESCRIPCIÓN	DESCRIPTION
BF.186	TORICA	RING
H....4	RESIST.CALDERIN 2400W 230V	2400W 230V BOILER RESISTANCE
H..105	RESISTENCIA 4000W 230V	4000W 230V RESISTANCE
H21078	SOBRENIVEL	OVERFLOW
H21286	SOBRENIVEL	OVERFLOW
H21335	CALDERIN TS-UNI43/48	TS-UNI43/48 BOILER
H21336	CALDERIN TS-UNI53-60	TS-UNI53/60 BOILER
H25006	TUERCA PLASTICO	PLASTIC NUT
H25008	TUERCA PLASTICO	NUT
H25032	TAPON	CAP
H25260	JUNTA GOMA	RUBBER GASKET
H25768	ARANDELA	WASHER
H25776	TUERCA INOX	INOX NUT
H25807	ABRAZADERA 25-40	25-40 CLAMP
H28226	TORICA CIERRE	CLOSING RING
H29938	JUNTA RESIST.TRIANG.GOMA	RESISTANCE RUBBER GASKET
H30420	FILTRO CUBA	TANK FILTER
H30421	CODO DESAGÜE	DRAIN ELBOW
H30422	SOPORTE FILTRO	FILTER SUPPORT
H30425	PILETA DESAGÜE	DRAIN TRAY
H30426	MUELLE	SPRING
H30443	RESISTENCIA CUBA 600W 230V	600W 230V TANK RESISTANCE
H31380	RESISTENCIA CUBA 2000W 230V	2000W 230V TANK RESISTANCE
V..200	TUBO DESAGÜE 17mm 1,8mt	17mm. 1.8mt OUTLET PIPE
V..201	TUBO DESAGÜE 28mm. 1,5mt.	28mm. 1.5mt OUTLET PIPE





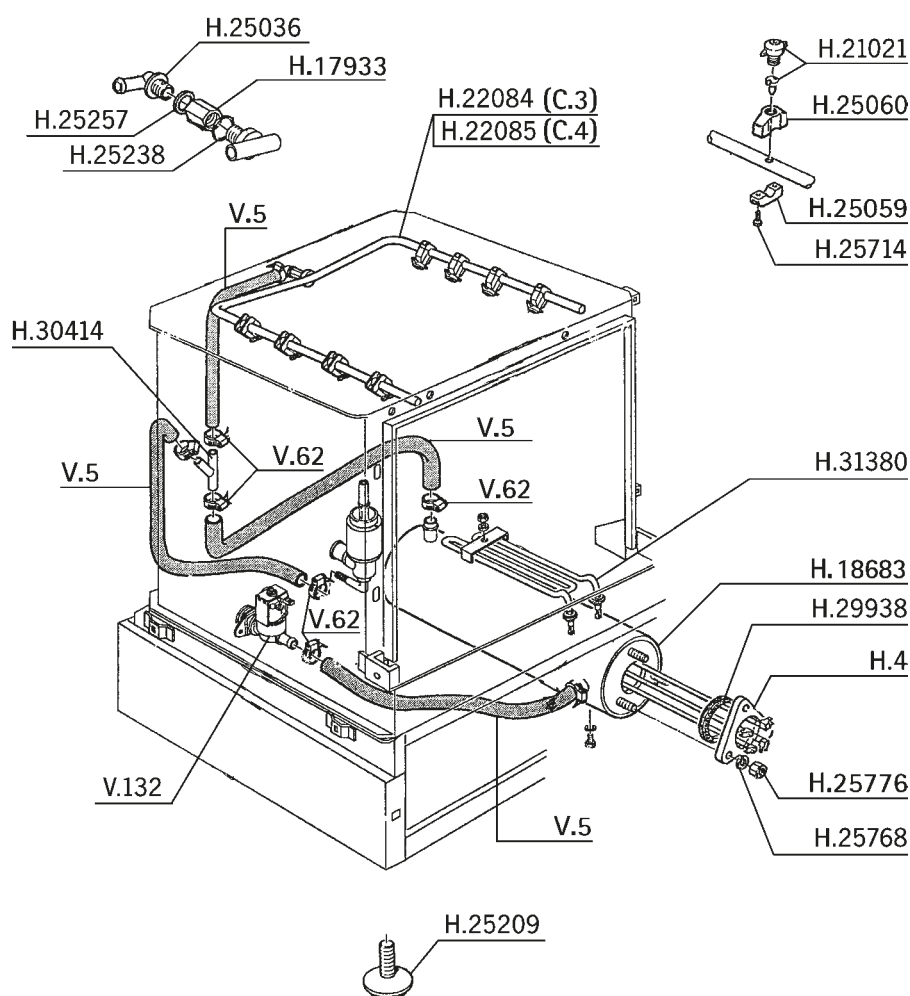
REF.	DESCRIPCIÓN	DESCRIPTION
FA1032	BRIDA	CLASP
H..101	MOTOR HP25	HP25 MOTOR
H..102	MOTOR HP33	HP33 MOTOR
H..103	MOTOR HP75	HP75 MOTOR
H20008	DOSIFICADOR ABRILLANTADOR	RINSE AID DOSIMETER
H25010	CAMARA PRESOSTATICA	PRESSURE SWITCH CHAMBER
H25011	RACOR PLASTICO	FITTING
H25239	TORICA CIERRE	CLOSING RING
H25263	JUNTA CIERRE GOMA	CLOSING RUBBER GASKET
H25807	ABRAZADERA 25-40	25-40 CLAMP
H26181	TAPA BOMBA	MOTOR LID
H26182	TAPA BOMBA	MOTOR LID
H26192	RETEN EJE BOMBA	MECHANICAL SEAL
H26206	TURBINA BOMBA	PUMP TURBINE
H26207	TURBINA BOMBA T6/80 TS 60	T-6/80 TS/60 PUMP TURBINE
H26224	JUNTA TAPA BOMBA GOMA	PUMP COVER RUBBER GASKET
H26229	JUNTA TAPA BOMBA GOMA	PUMP COVER RUBBER GASKET
H26314	RETEN EJE BOMBA	MECHANICAL SEAL
H30453	MANGUITO ENVIO	OUTLET SLEEVE
H30460	MANGUITO ASPIRACION	SUCTION SLEEVE
H30464	MANGUITO ENVIO	OUTLET SLEEVE
H30466	MANGUITO ASPIRACION	SUCTION SLEEVE
H31150	MANGUITO ENVIO	OUTLET SLEEVE
H31156	MOTOR 1 CV	1 CV MOTOR
H31171	PRESOSTATO SAL/HOR.28/12	28/12 HORIZ.PRESS.SWITCH
H31193	MANGUITO ENVIO	OUTLET SLEEVE
H31194	MANGUITO ASPIRACION	SUCTION SLEEVE
H31236	MANGUITO ASPIRACION	SUCTION SLEEVE
H31406	TAPA BOMBA TS 48	TS 48 MOTOR LID
H31574	TURBINA BOMBA TS 43	TS-43 PUMP TURBINE
H31575	RETEN EJE BOMBA	MECHANICAL SEAL
H31576	TURBINA BOMBA TS 48	TS-48 PUMP TURBINE
V....5	TUBO GOMA 10X16 20 ATM	20ATM 10X16 RUBBER PIPE
V...62	ABRAZADERA 12-20	12-20 CLAMP
V.448	TUBO PRESOSTATO-METRO 4X6	4X6 PRE.SWITCH INLET PIPE
V.449	TUBO NYLON 4X6mm (1MT)	(1M) 4X6mm NYLON PIPE

Carrocería / Mandos C3 - C4 ■ C3 - C4 Handles / Bodywork

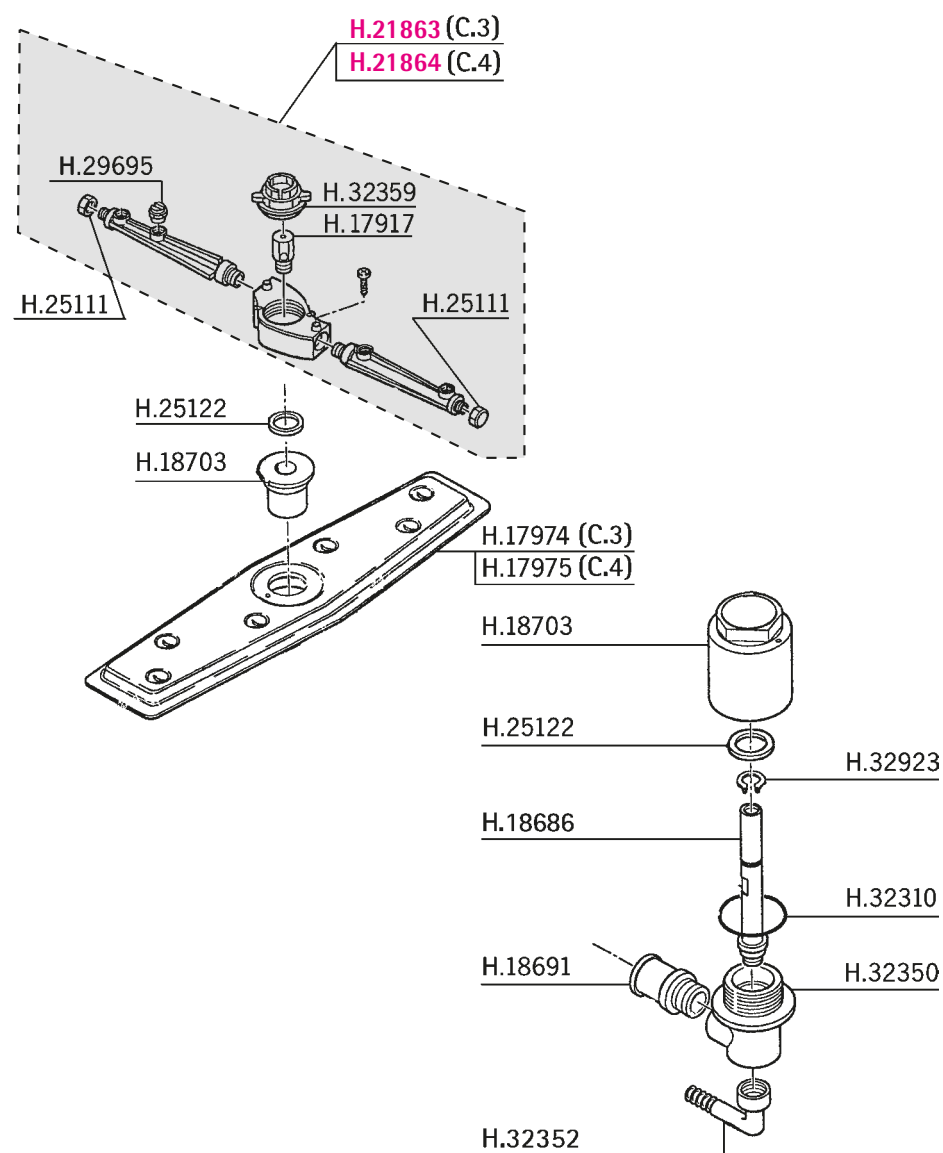


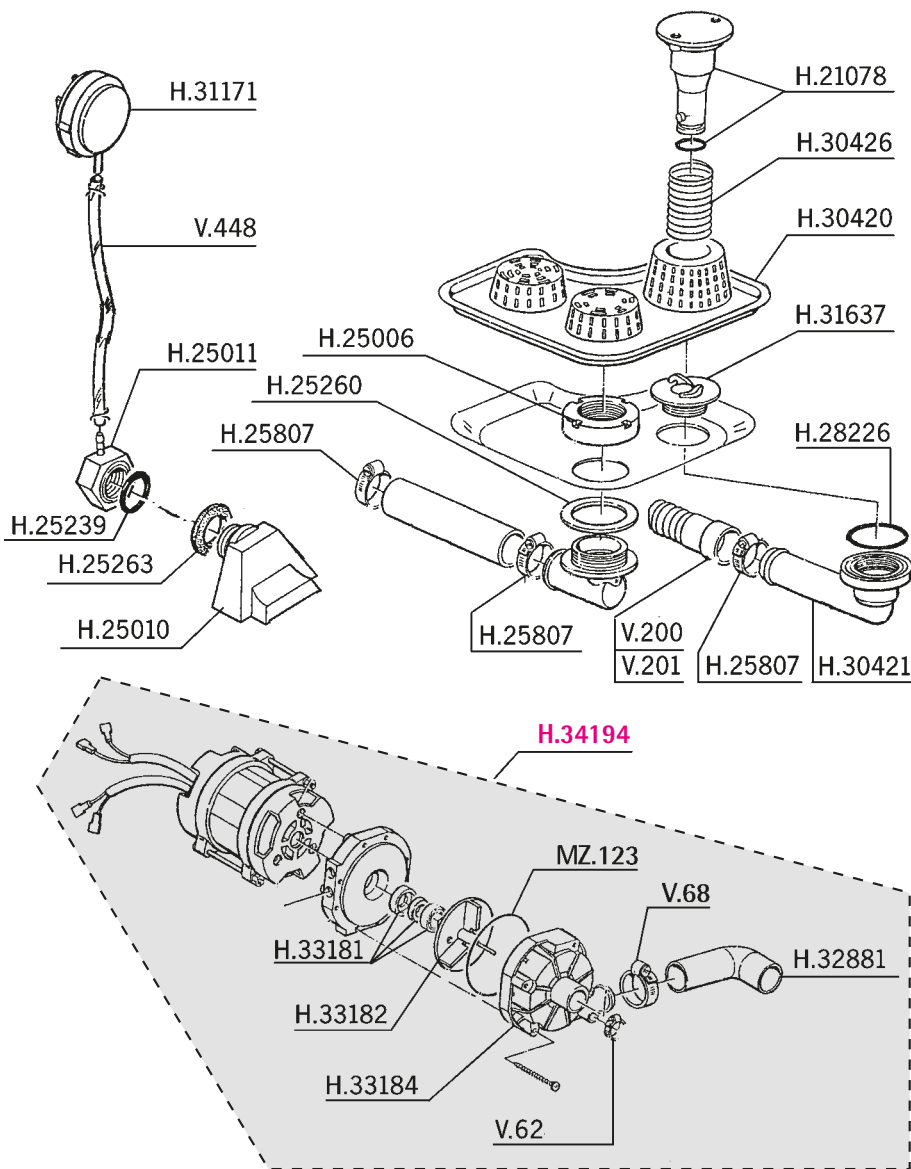
REF.	DESCRIPCIÓN	DESCRIPTION
H16378	EJE PUERTA	DOOR ROD
H16755	GUIA CESTO C4 CORTA	C4 SHORT GUIDE
H17863	DISTANCIAL	DISTANCER
H17864	GUIA CESTO C3 CORTA	C3 SHORT GUIDE
H18069	TOPE BISAGRA	HINGE STOP
H18145	EMPUJADOR CESTO	BASKET PUSH
H18342	CASQUILLO	CAP
H18348	MANETA PUERTA	DOOR HANDLE
H18705	GUIA CESTO C 3 LARGA	C3 LONG GUIDE
H18824	GUIA CESTO C4 LARGA	C4 LONG GUIDE
H21912	KIT SOPORTE IZQUIERDO	LEFT SUPPORT KIT
H21913	KIT SOPORTE DERECHO	RIGHT SUPPORT KIT
H22121	CIERRE PUERTA	CLOSING DOOR
H25421	TERMOSTATO FIJO 55°	55° EVAPORATION THERMOSTAT
H25552	MICRO PUERTA 250V 15A	250V 15A DOOR MICROSWITCH
H26761	TUERCA LATON	NUT
H28870	PILOTO BLANCO 8mm SCABLE	8mm W.WIRING GREEN LAMP
H29529	SERVIR W.5072	PUSH-BUTTON
H29636	PULSADOR PARO	STOP PUSH-BUTTON
H30438	MUELLE CIERRE PUERTA	CLOSING SPRING
H31910	TORNILLO BISAGRA	SCREW
H31919	SEEGER	SEEGER
H32869	PILOTO NARANJA	ORANGE WARNING LAMP
H32872	INTERRUPTOR	SWITCH
H32889	SOPORTE PLASTICO GRIS	SUPPORT
H32890	BOTON PULSADOR	PUSH-BUTTON
H32891	SOPORTE PILOTO	LAMP SUPPORT
H32916	TAPON	CAP
J....0	TERMOSTATO 0-90°	0-90° THERMOSTAT
V.198	MANDO TERMOSTATO 90°	90° THERMOSTAT HANDLE

REF.	DESCRIPCIÓN	DESCRIPTION
H....4	RESIST.CALDERIN 2400W 230V	2400W 230V BOILER RESISTANCE
H17933	RACOR EMPALME	UNION FITTING
H18683	CALDERIN C3/4/43/48	C3/4/43/48 BOILER
H21021	RACOR ACLARADO	RINSE FITTING
H22084	ASTA ACLARADO C3	C-3 RINSE ARM
H22085	ASTA ACLARADO C-4 STS-48	C-4 STS-48 RINSE ARM
H22085	ASTA ACLARADO C-4 STS-48	C-4 STS-48 RINSE ARM
H25035	"T" ACLARADO	RINSE "T"
H25036	RACOR CODO	FITTING
H25059	BRIDA INFERIOR ROCIADOR	LOWER CLASP
H25060	BRIDA SUPERIOR ROCIADOR	UPPER CLASP
H25209	PIE MAQUINA	MACHINE FOOT
H25238	TORICA DE CIERRE	CLOSING RING
H25257	JUNTA PLANA GOMA	FLAT RUBBER GASKET
H25714	TORNILLO INOX	INOX SCREW
H25768	ARANDELA	WASHER
H25776	TUERCA INOX	INOX NUT
H29938	JUNTA RESIST.TRIANG.GOMA	RESISTANCE RUBBER GASKET
H30414	RACOR EMPALME	UNION FITTING
H31380	RESISTENCIA CUBA 2000W 230V	2000W 230V TANK RESISTANCE
V....5	TUBO GOMA 10X16 20 ATM	20ATM 10X17 RUBBER PIPE
V...62	ABRAZADERA 12-20	12-20 CLAMP
V..132	ELECTROVAL.1 VIA LAV.220V	WASH 1 WAY 220V SOLENOID

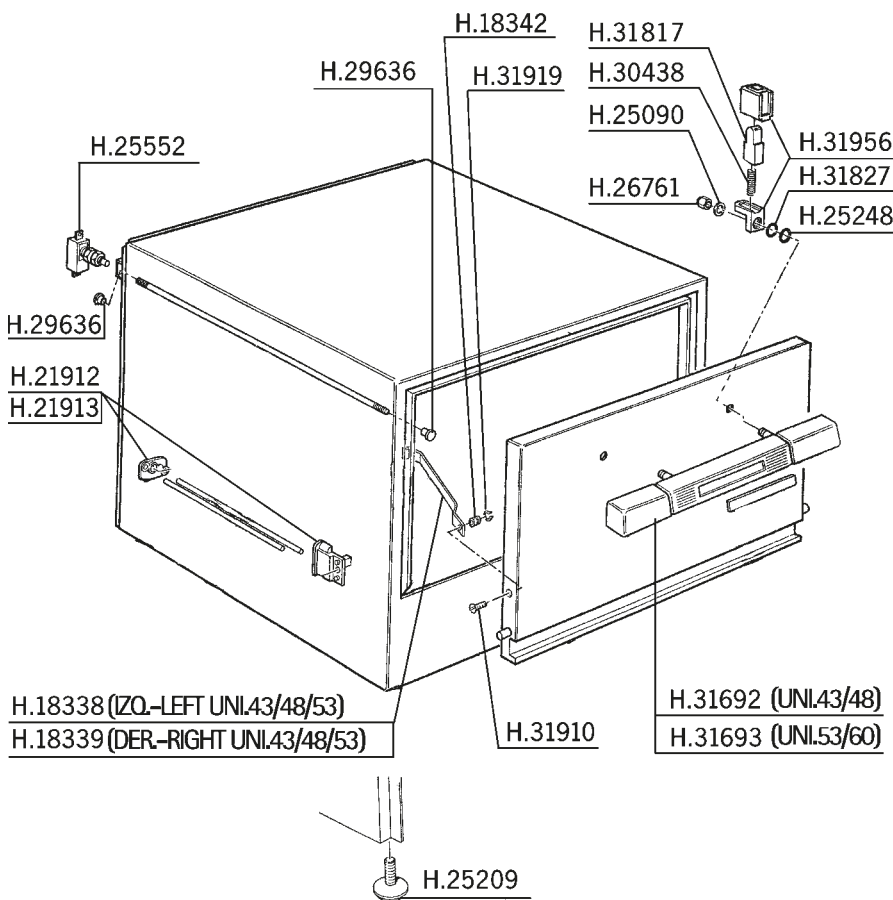


REF.	DESCRIPCIÓN	DESCRIPTION
H17917	TUERCA	NUT
H17971	RACOR	FITTING
H17974	ASTA LAVADO	WASHING ARM
H17975	ASTA LAVADO	WASHING ARM
H18686	EJE	ROD
H18691	PORTAGOMAS	GASKETHOLDER
H18703	SOPORTE ASTAS	ARMS SUPPORT
H21863	ASTA ACLARADO C-3 STS-43	C-3 STS-43 RINSE ARM
H21864	ASTA ACLARADO C-4 STS-48	C-4 STS-48 RINSE ARM
H25111	TUERCA	NUT
H25122	ARANDELA ASTA LAVADO	WASH TREE WASHER
H29695	ROCIADOR ACLARADO	RINSE SPRAY
H32310	TORICA GOMA NBR	RING
H32350	GRUPO CENTRAL	CENTRAL GROUP
H32352	CODO LATON	BRASS ELBOW
H32359	TAPON ASTA	ARM CAP
H32923	SEEGER	SEEGER



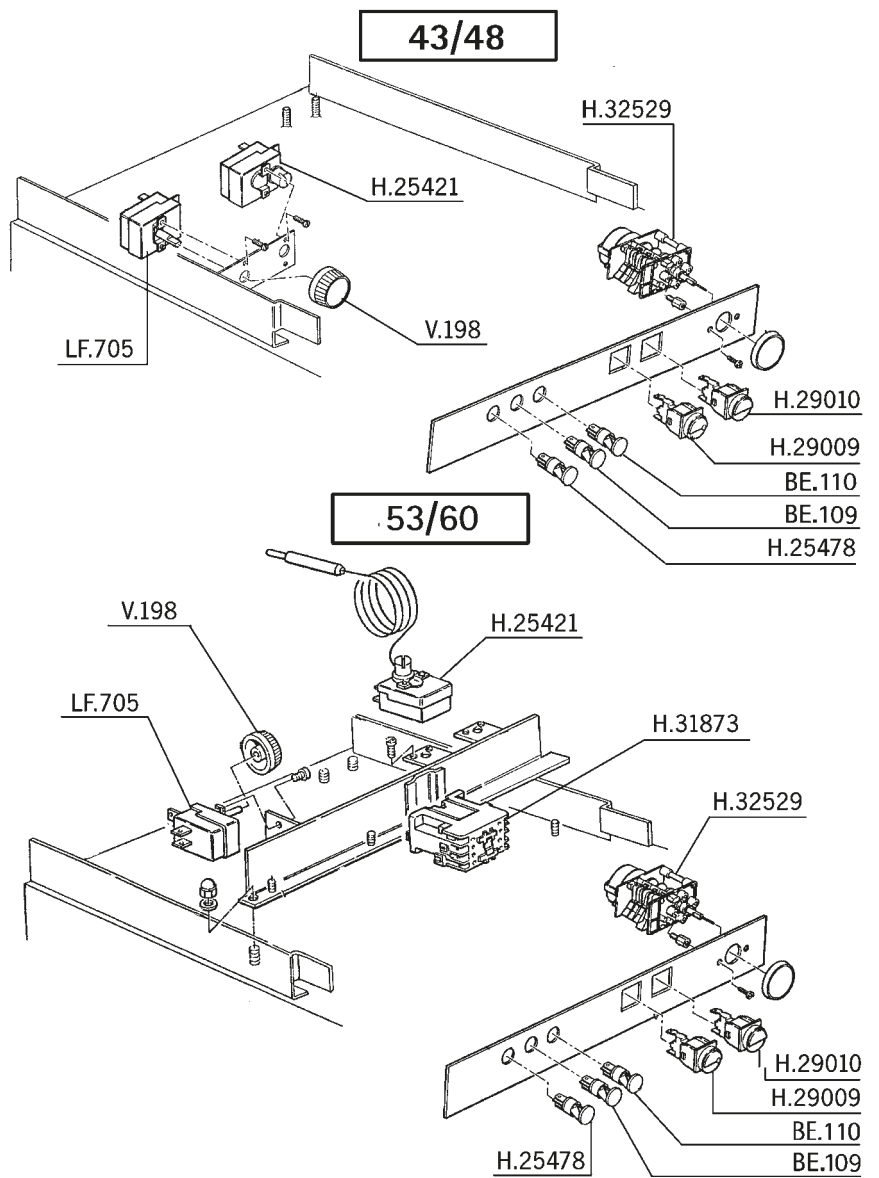


REF.	DESCRIPCIÓN	DESCRIPTION
H21078	SOBRENIVEL	OVERFLOW
H25006	TUERCA PLASTICO	PLASTIC NUT
H25010	CAMARA PRESOSTATICA	PRESSURE SWITCH CHAMBER
H25011	RACOR PLASTICO	FITTING
H25239	TORICA CIERRE	CLOSING RING
H25260	JUNTA GOMA	RUBBER GASKET
H25263	JUNTA CIERRE GOMA	CLOSING RUBBER GASKET
H25807	ABRAZADERA 25-40	25-40 CLAMP
H28226	TORICA CIERRE	CLOSING RING
H30420	FILTRO CUBA	TANK FILTER
H30421	CODO DESAGÜE	DRAIN ELBOW
H30426	MUELLE	SPRING
H31171	PRESOSTATO SAL/HOR.28/12	28/12 HORIZ.PRESS.SWITCH
H31637	TUERCA	NUT
H32881	MANGUITO ENVIO	OUTLET SLEEVE
H33181	RETEN BOMBA	MECHANICAL SEAL
H33182	GIRANTE BOMBA	PUMP GYRATORY
H33184	TAPA BOMBA	MOTOR LID
H34194	MOTOR C-CR 43/48	0,15 HP WASHING PUMP
MZ.123	TORICA GOMA TESTINA	HEAD RUBBER RING
V...62	ABRAZADERA 12-20	12-20 CLAMP
V...68	ABRAZADERA 32-50	35-50 CLAMP
V.200	TUBO DESAGÜE 17mm 1,8mt	17mm. 1.8mt OUTLET PIPE
V.201	TUBO DESAGÜE 28mm. 1,5mt.	28mm. 1.5mt OUTLET PIPE
V.448	TUBO PRESOSTATO-METRO 4X6	4X6 PRE.SWITCH INLET PIPE

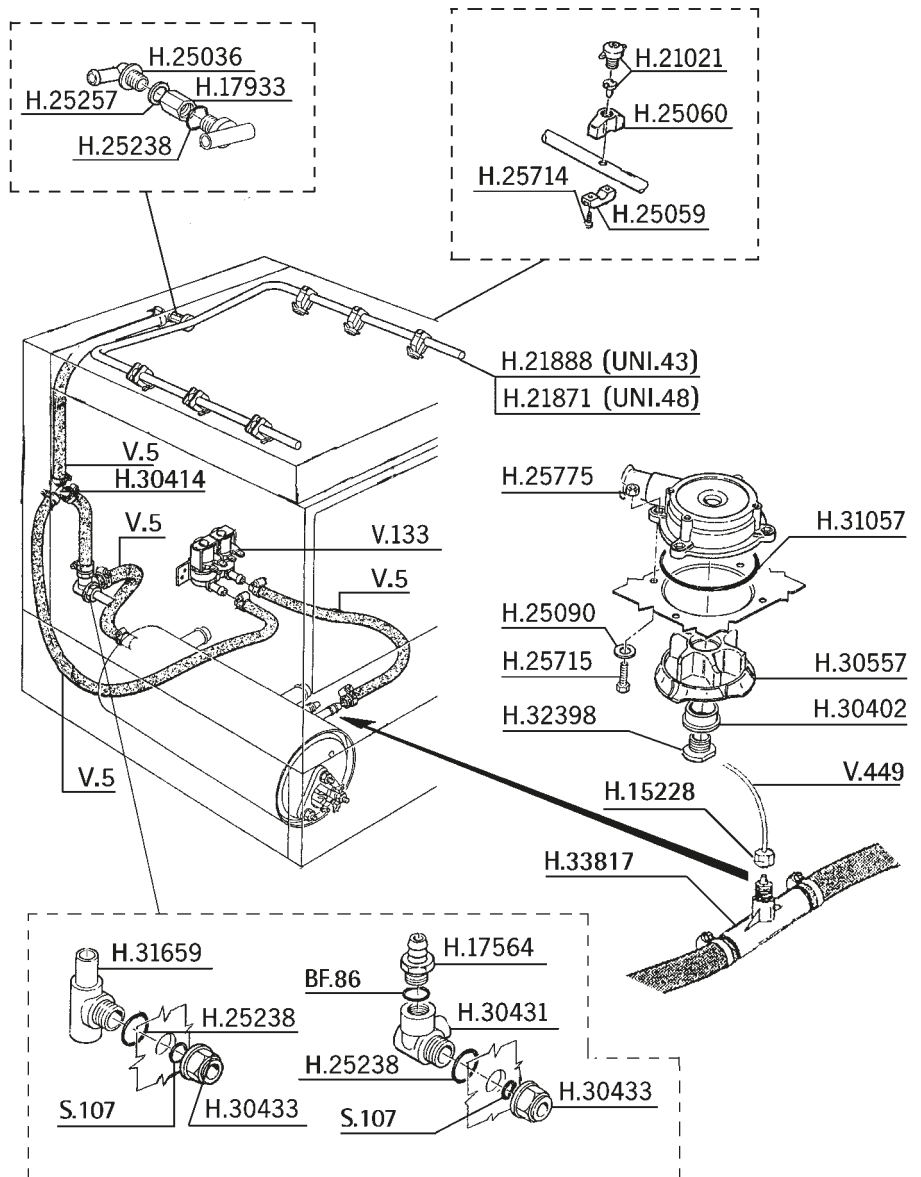


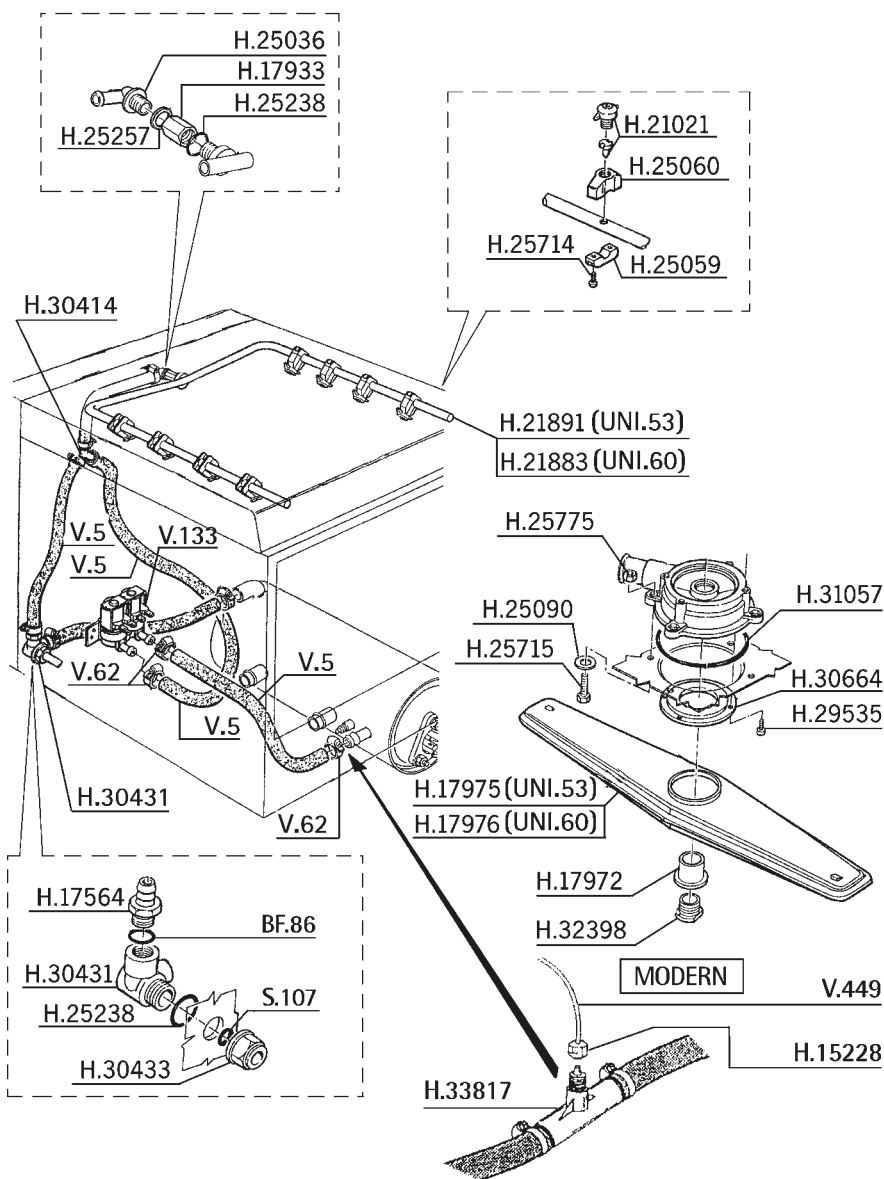
REF.	DESCRIPCIÓN	DESCRIPTION
H18338	BISAGRA IZQUIERD 43-48-53	43-48-53 LEFT HINGE
H18339	BISAGRA DERECHA 43-48-53	43-48-53 RIGHT HINGE
H18342	CASQUILLO	CAP
H21912	KIT SOPORTE IZQUIERDO	LEFT SUPPORT KIT
H21913	KIT SOPORTE DERECHO	RIGT SUPPORT KIT
H25090	ARANDELA NYLON	NYLON WASHER
H25209	PIE MAQUINA	MACHINE FOOT
H25248	TORICA DE CIERRE	CLOSING RING
H25552	MICRO PUERTA 250V 15A	250V 15A DOOR MICROSWITCH
H26761	TUERCA LATON	NUT
H29636	PULSADOR PARO	STOP PUSH-BUTTON
H30438	MUELLE CIERRE PUERTA	CLOSING SPRING
H31692	MANETA PUERTA UNI43/48	UNI 43/48 DOOR HANDLE
H31693	MANETA PUERTA UNI53/60	UNI 53/60 DOOR HANDLE
H31817	PERNO CIERRE	CLOSING BOLT
H31827	TORICA DE CIERRE	CLOSING RING
H31910	TORNILLO BISAGRA	SCREW
H31919	SEGER	SEGER
H31956	CUERPO CIERRE PUERTA	CLOSING DOOR BODY

REF.	DESCRIPCIÓN	DESCRIPTION
BE.109	PILOTO VERDE 13mm 220V	13mm 220V GREEN LAMP
BE.110	PILOTO AMBAR 13mm 220V	13mm 220V YELLOW LAMP
H25421	TERMOSTATO FIJO 55°	55° EVAPORATION THERMOSTAT
H25478	PILOTO ROJO 13MM 220V	13mm 220 RED WARNING LAMP
H29009	PULSANTE LINEA	PUSH-BUTTON
H29010	PULSANTE CICLO	CYCLE PUSH-BUTTON
H31873	CONTACTOR	CONTACTOR
H32529	PRO.PULSANTE TRES MICROS 360 S	3TOOTH 360S PUSH TIMER
LF.705	TERMOSTATO 90° BULBO 3mt.	90° BULB 3m THERMOSTAT
V.198	MANDO THERMOSTATO 90°	90° THERMOSTAT HANDLE

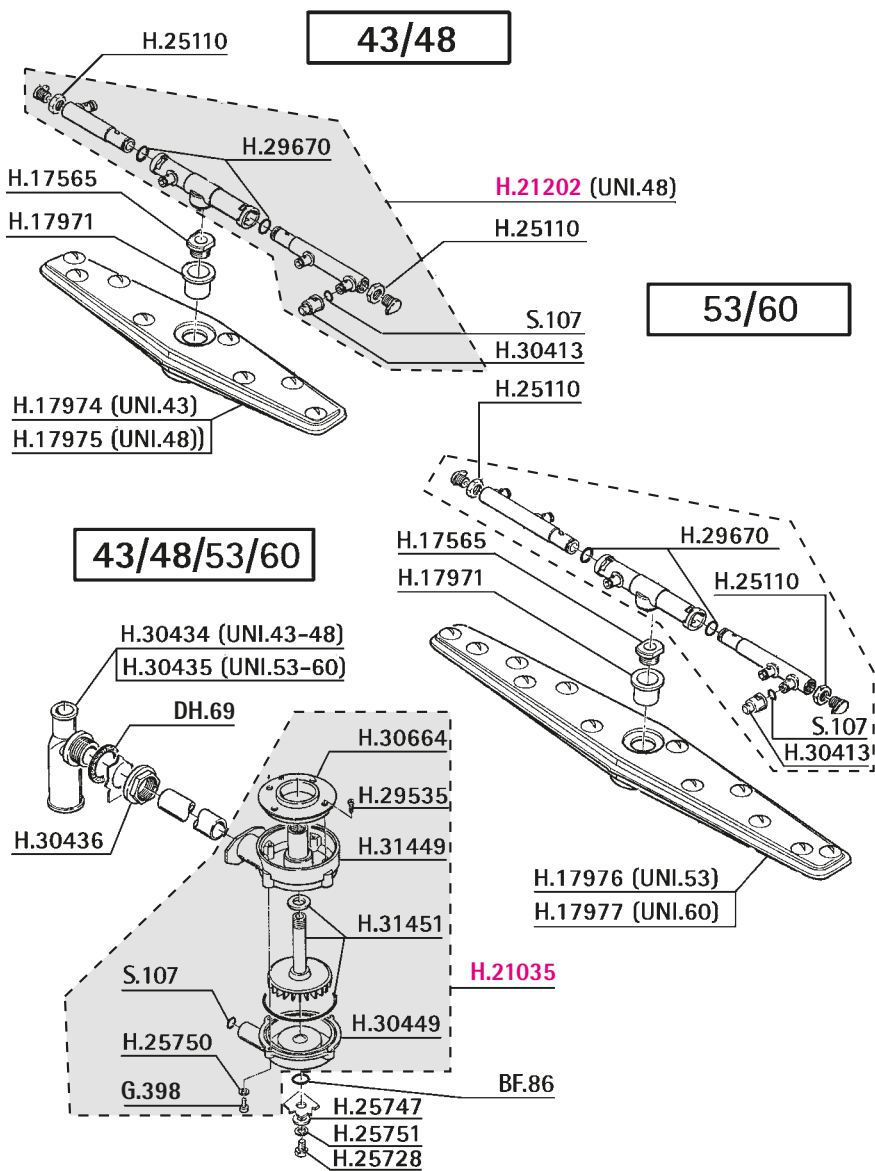


REF.	DESCRIPCIÓN	DESCRIPTION
BF.86	TORICA GOMA	RUBBER RING
H15228	TUERCA BOMBA ABRILLANTADO	BRIGHTNESS PUMP NUT
H17564	RACOR	FITTING
H17933	RACOR EMPALME	UNION FITTING
H21021	RACOR ACLARADO	RINSE FITTING
H21871	ASTA ACLARADO UNI 48	UNI 48 RINSE ARM
H21888	ASTA ACLARADO UNI 43	UNI 43 RINSE ARM
H25035	"T" ACLARADO	RINSE "T"
H25036	RACOR CODO	FITTING
H25059	BRIDA INFERIOR ROCIADOR	LOWER CLASP
H25060	BRIDA SUPERIOR ROCIADOR	UPPER CLASP
H25090	ARANDELA NYLON	NYLON WASHER
H25238	TORICA DE CIERRE	CLOSING RING
H25257	JUNTA PLANA GOMA	FLAT RUBBER GASKET
H25714	TORNILLO INOX	INOX SCREW
H25715	TORNILLO INOX M6x15 mm	M6x15 mm INOX SCREW
H25775	TUERCA	NUT
H30402	CASQUILLO	CAP
H30414	RACOR EMPALME	UNION FITTING
H30431	TUERCA "T" ACLARADO	T CLEAR NUT
H30433	TUERCA "T" ACLARADO	T CLEAR NUT
H30557	TURBINA LAVADO	WASHING TURBINE
H31057	TORICA CIERRE TURBINA	CLOSING RING
H31659	RACOR EMPALME	FITTING
H32398	TAPON ASTA MACHO	ARM CAP
H33817	T CALDERIN	BOILER T
S.107	TORICA GOMA NBR	RING
V...5	TUBO GOMA 10X16 20 ATM	20ATM 10X17 RUBBER PIPE
V.133	ELECTROVAL.2 VIA LAV.220V	WASH 2 WAYS 220V SOLENOID
V.449	TUBO NYLON 4X6mm (1MT)	(1M) 4X6mm NYLON PIPE





REF.	DESCRIPCIÓN	DESCRIPTION
BF.86	TORICA GOMA	RUBBER RING
H15228	TUERCA BOMBA ABRILLANTADO	BRIGHTNESS PUMP NUT
H17564	RACOR	FITTING
H17933	RACOR EMPALME	UNION FITTING
H17972	CASQUILLO	CAP
H17975	ASTA LAVADO	WASHING ARM
H17976	ASTA LAVADO	WASHING ARM
H21021	RACOR ACLARADO	RINSE FITTING
H21883	ASTA ACLARADO UNI 60	UNI 60 RINSE ARM
H21891	ASTA ACLARADO UNI 53	UNI 53 RINSE ARM
H25035	"T" ACLARADO	RINSE "T"
H25036	RACOR CODO	FITTING
H25059	BRIDA INFERIOR ROCIADOR	LOWER CLASP
H25060	BRIDA SUPERIOR ROCIADOR	UPPER CLASP
H25090	ARANDELA NYLON	NYLON WASHER
H25238	TORICA DE CIERRE	CLOSING RING
H25257	JUNTA PLANA GOMA	FLAT RUBBER GASKET
H25714	TORNILLO INOX	INOX SCREW
H25715	TORNILLO INOX M6x15 mm	M6x15 mm INOX SCREW
H25775	TUERCA	NUT
H29535	TORNILLO INOX	INOX SCREW
H30414	RACOR EMPALME	UNION FITTING
H30431	TUERCA "T"ACLARADO	T CLEAR NUT
H30433	TUERCA "T"ACLARADO	T CLEAR NUT
H30664	TAPA INFERIOR TURBO	TURBO LOWER LID
H31057	TORICA CIERRE TURBINA	CLOSING RING
H32398	TAPON ASTA MACHO	ARM CAP
H33817	T CALDERIN	BOILER T
S..107	TORICA GOMA NBR	RING
V...5	TUBO GOMA 10X16 20 ATM	20ATM 10X16 RUBBER PIPE
V...62	ABRAZADERA 12-20	12-20 CLAMP
V..133	ELECTROVAL.2 VIA LAV.220V	WASH 2 WAYS 220V SOLENOID
V..449	TUBO NYLON 4X6mm (1MT)	(1M) 4X6mm NYLON PIPE

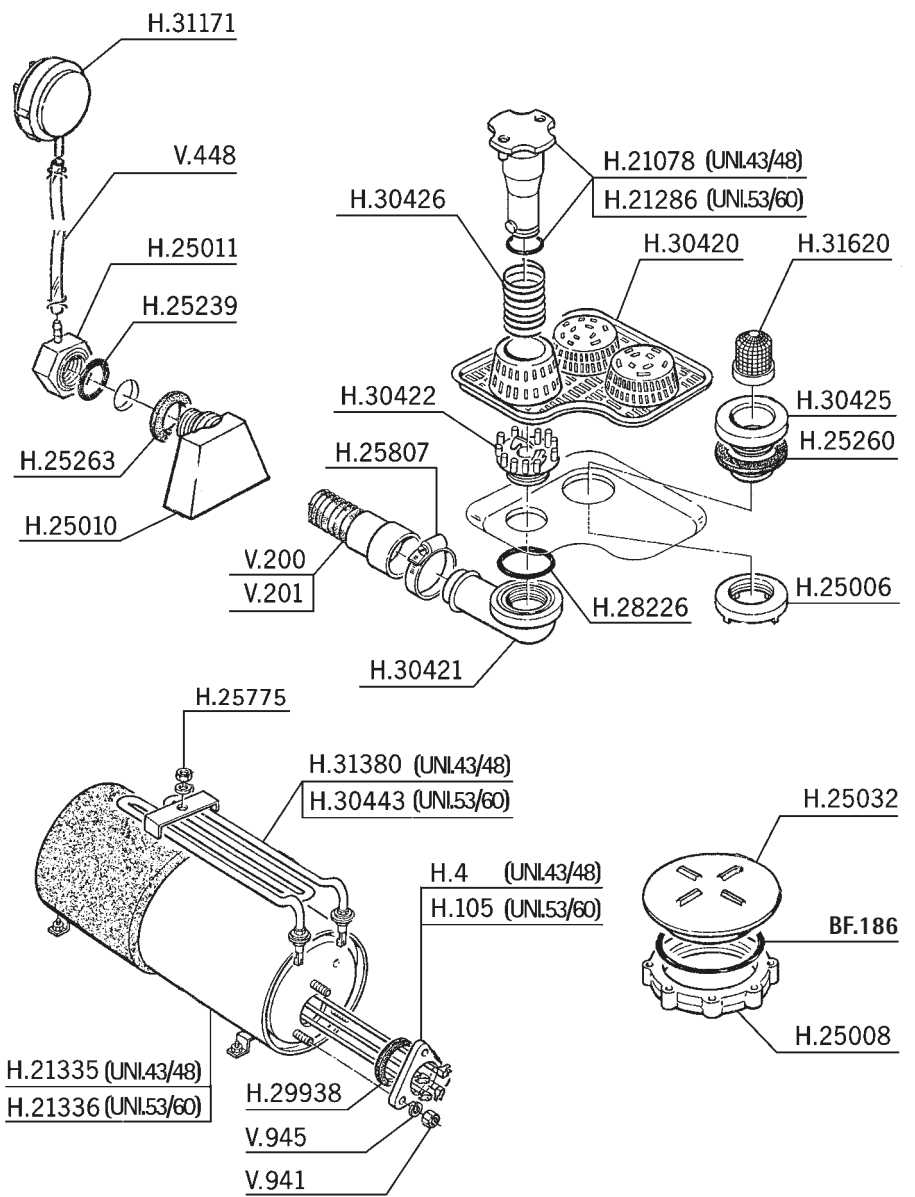


REF.	DESCRIPCIÓN	DESCRIPTION
BF.86	TORICA GOMA	RUBBER RING
DH..69	TORICA	RING
G..398	TORNILLO ALLEN INOX PORTADUCHA	INOX SHOWERHOLDER SCREW
H17565	TUERCA ASTA EN TEFLON	TEFLON ARM NUT
H17971	CASQUILLO	CAP
H17974	ASTA LAVADO	WASHING ARM
H17975	ASTA LAVADO	WASHING ARM
H17976	ASTA LAVADO	WASHING ARM
H17977	ASTA LAVADO	WASHING ARM
H21035	TURBO COMPLETO	COMPLET TURBO
H21202	ASTA ACLARADO TS-48/UNI48	TS-48/UNI48 RINSE ARM
H25110	TUERCA HEXAGONAL PLASTICO	NUT
H25728	TORNILLO INOX	INOX SCREW
H25747	ARANDELA	WASHER
H25750	ARANDELA	WASHER
H25751	ARANDELA	WASHER
H29535	TORNILLO INOX	INOX SCREW
H29670	TORICA	RING
H30413	RACOR ACLARADO MIZAR CDR.	MIZAR CLEAR FITTING
H30434	CODO LAVADO TS48/UNI43-48	TS48/UNI43-48 WASH ELBOW
H30435	CODO LAVADO TS-UNI-53/60	TS-UNI53/60 WASH.ELBOW
H30436	TUERCA	NUT
H30449	CUERPO TURBINA	TURBINE BODY
H30664	TAPA INFERIOR TURBO	TURBO LOWER LID
H31449	CUERPO TURBO INFERIOR	LOWER TURBINE BODY
H31451	TURBINA ACLARADO	RINSE TURBINE
S..107	TORICA GOMA NBR	RING

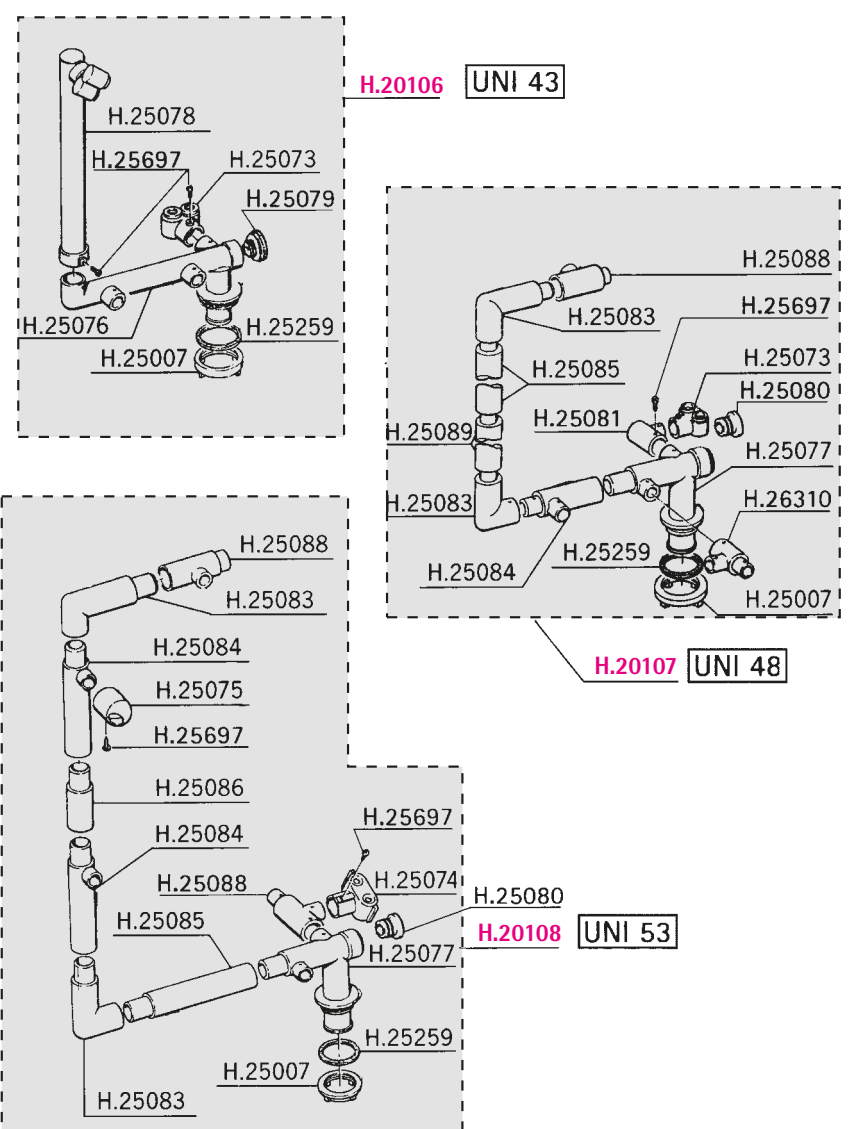
Order our free DVD, include all ours catalogues. More than 50.000 codes.

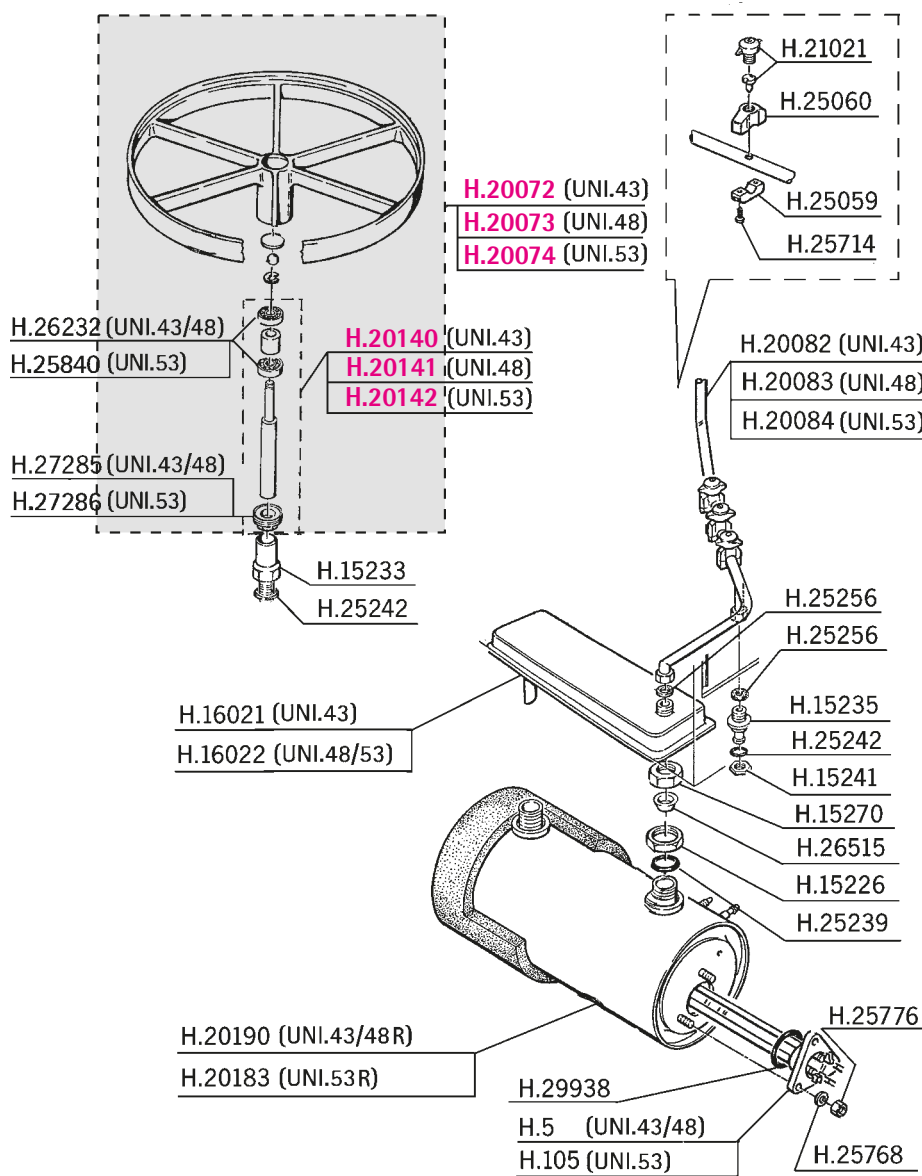


REF.	DESCRIPCIÓN	DESCRIPTION
BF.186	TORICA CALDERA GOMA	RUBBER RING
H....4	RESIST.CALDERIN 2400W 230V	2400W 230V BOILER RESISTANCE
H..105	RESISTENCIA 4000W 230V	4000W 230V RESISTANCE
H21078	SOBRENIVEL	OVERFLOW
H21286	SOBRENIVEL	OVERFLOW
H21335	CALDERIN TS-UNI43/48	TS-UNI43/48 BOILER
H21336	CALDERIN TS-UNI53-60	TS-UNI53/60 BOILER
H25006	TUERCA PLASTICO	PLASTIC NUT
H25008	TUERCA PLASTICO	NUT
H25010	CAMARA PRESOSTATICA	PRESSURE SWITCH CHAMBER
H25011	RACOR PLASTICO	FITTING
H25032	TAPON	CAP
H25239	TORICA CIERRE	CLOSING RING
H25260	JUNTA GOMA	RUBBER GASKET
H25263	JUNTA CIERRE GOMA	CLOSING RUBBER GASKET
H25775	TUERCA	NUT
H25807	ABRAZADERA 25-40	25-40 CLAMP
H28226	TORICA CIERRE	CLOSING RING
H29938	JUNTA RESIST.TRIANG.GOMA	RESISTANCE RUBBER GASKET
H30420	FILTRO CUBA	TANK FILTER
H30421	CODO DESAGÜE	DRAIN ELBOW
H30422	SOPORTE FILTRO	FILTER SUPPORT
H30425	PILETA DESAGÜE	DRAIN TRAY
H30426	MUELLE	SPRING
H30443	RESISTENCIA CUBA 600W 230V	600W 230V TANK RESISTANCE
H31171	PRESOSTATO SAL/HOR.28/12	28/12 HORIZ.PRESS.SWITCH
H31380	RESISTENCIA CUBA 2000W 230V	2000W 230V TANK RESISTANCE
H31620	FILTRO	FILTER
V..200	TUBO DESAGÜE 17mm 1,8mt	17mm. 1.8mt OUTLET PIPE
V..201	TUBO DESAGÜE 28mm. 1,5mt.	28mm. 1.5mt OUTLET PIPE
V..448	TUBO PRESOSTATO-METRO 4X6	4X6 PRE.SWITCH INLET PIPE
V..941	TUERCA INOX M6	M6 INOX NUT
V..945	ARANDELA DENTADA INOX M6	M6 INOX GROVER WASHER



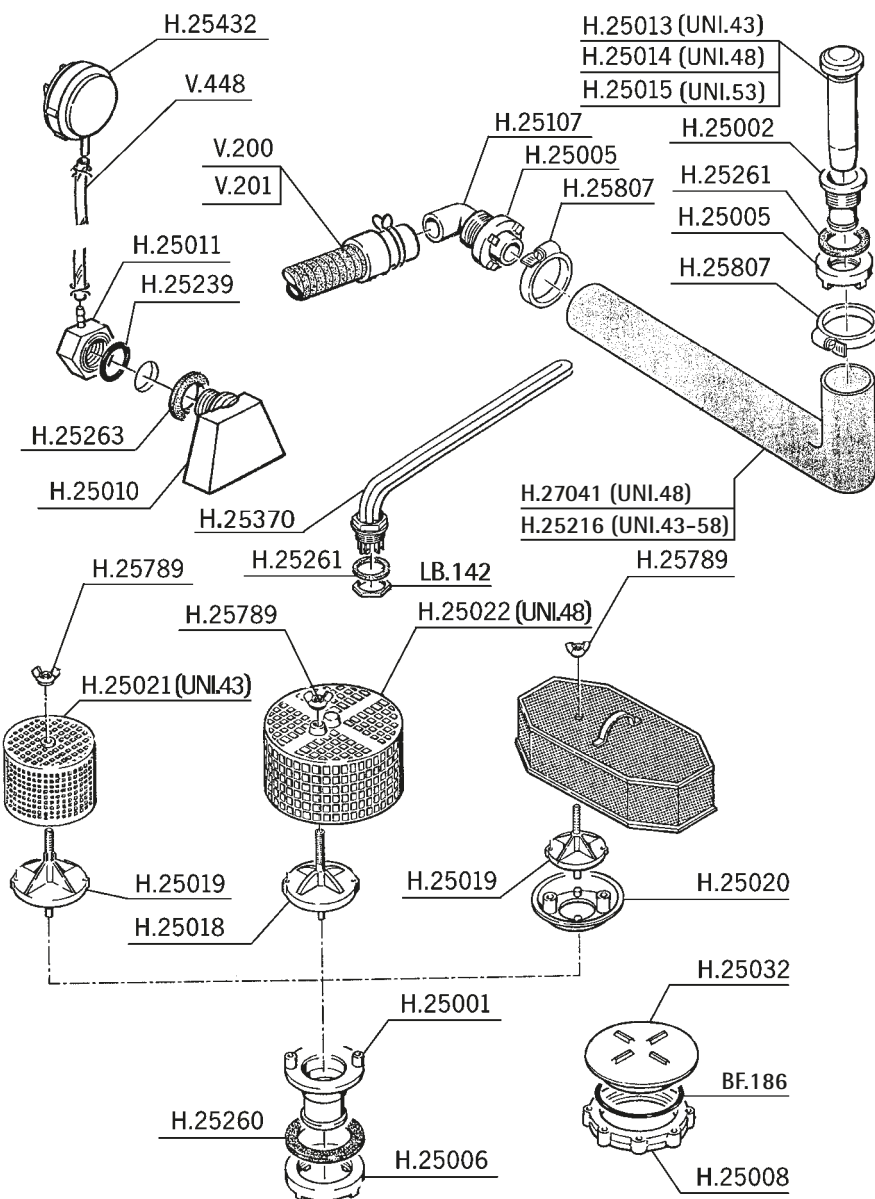
REF.	DESCRIPCIÓN	DESCRIPTION
H20106	ASTA LA.E36/40/43UNI-CM43	E36/40/43UNI-CM43 WAS.ARM
H20107	ASTA LAVADO NK-CM-UNI48	NK-CM-UNI48 WASHING ARM
H20108	AST.LAV.E50-NK-CM52-UNI53	E50-NK-CM52-UNI53 W.ARM
H25007	TUERCA PLASTICO	PLASTIC NUT
H25073	ROCIADOR LAVADO	WASHING SPRAY
H25074	ROCIADOR LAVADO DOBLE	DOUBLE WASHING SPRAY
H25075	ROCIADOR LAVADO SIMPLE	WASHING SPRAY
H25076	BRAZO INFERIOR ASTA	LOWER ARM
H25077	BRAZO INF.ASTA LAVADO	WASHING LOWER ARM
H25078	TUBO SUP.ASTA LAVADO	WASHING ARM UPPER PIPE
H25079	TUERCA ASTA	ARM NUT
H25080	TAPON ASTA LAVADO	WASHING ARM CAP
H25081	RACOR ASTA LAVADO 3 VIAS	WASHING ARM FITTING
H25083	CURVA LAVADO 2 VIAS	WASHING BRAS PIPE
H25084	TUBO ASTA LAVADO	WASHING BRAS PIPE
H25085	TUBO ASTA LAVADO	WASHING BRAS PIPE
H25086	TUBO ASTA LAVADO	WASHING BRAS PIPE
H25088	TUBO ASTA LAVADO	WASHING BRAS PIPE
H25089	TUBO ASTA LAVADO	WASHING BRAS PIPE
H25259	JUNTA GOMA	RUBBER GASKET
H25697	TORNILLO	SCREW
H26310	TUBO ASTA LAVADO	WASHING BRAS PIPE





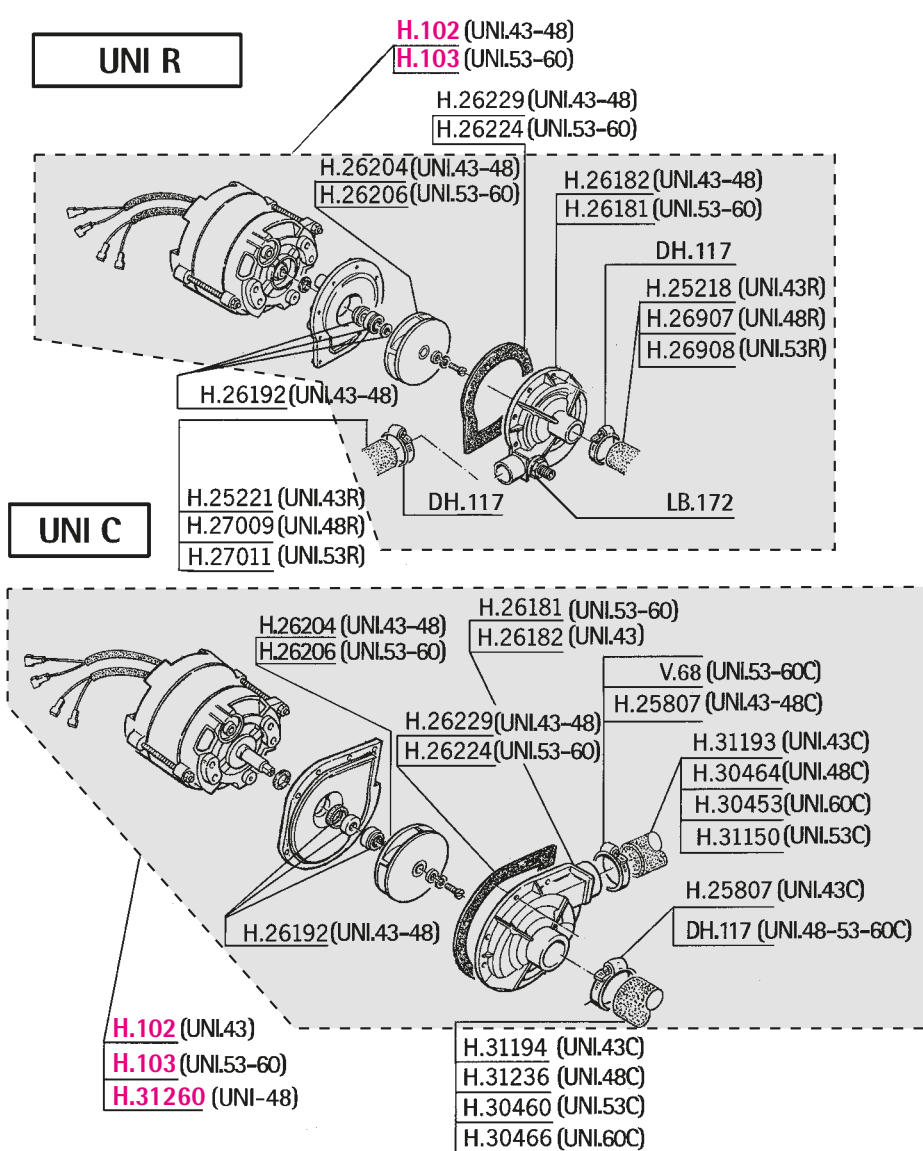
REF.	DESCRIPCIÓN	DESCRIPTION
H....5	RESIST.CALDERIN 2700W 230V	2700W 230V BOILER RESISTANCE
H.105	RESISTENCIA 4000W 230V	4000W 230V RESISTANCE
H15226	TUERCA CALDERIN INOX	INOX BOILER NUT
H15233	BASE EJE	ROD BASE
H15235	SOPORTE ASTA ACLARADO	RINSING ARM SUPPORT
H15241	TUERCA	NUT
H15270	TUERCA	NUT
H16021	INTERCAMBIADOR DE CALOR	HEAT EXCHANGER
H16022	INTERCAMBIADOR DE CALOR	HEAT EXCHANGER
H20072	VOLANTE COMPLETO	ROTATING PLATE
H20073	VOLANTE COMPLETO 29CM.	29cm COMPLET WHEEL
H20074	VOLANTE COMPLETO 40.5CM	40.5CM ROTATING PLATE
H20082	ASTA ACLARADO	RINSE ARM
H20083	ASTA ACLARADO	RINSE ARM
H20084	ASTA ACLARADO	RINSE ARM
H20140	EJE VOLANTE	ROTATING PLATE ROD
H20141	EJE VOLANTE	ROTATING PLATE ROD
H20142	EJE VOLANTE	PLATE ROD
H20183	CALDERIN	BOILER
H20190	CALDERIN	BOILER
H21021	RACOR ACLARADO	RINSE FITTING
H25059	BRIDA INFERIOR ROCIADOR	LOWER CLASP
H25060	BRIDA SUPERIOR ROCIADOR	UPPER CLASP
H25239	TORICA CIERRE	CLOSING RING
H25242	TORICA GOMA	RUBBER RING
H25256	JUNTA PLANA GOMA	FLAT RUBBER GASKET
H25714	TORNILLO INOX	INOX SCREW
H25768	ARANDELA	WASHER
H25776	TUERCA INOX	INOX NUT
H25840	COJINETE EJE	BALL BEARING ROD
H26232	COJINETE EJE	ROD BALL BEARING
H26515	ARANDELA CONICA	CONIC WASHER
H27285	TUERCA	NUT
H27286	TUERCA	NUT
H29938	JUNTA RESIST.TRIANG.GOMA	RESISTANCE RUBBER GASKET

Desagüe / Filtros UNI 43-53R ■ UNI 43-48-53R Drain / Filter

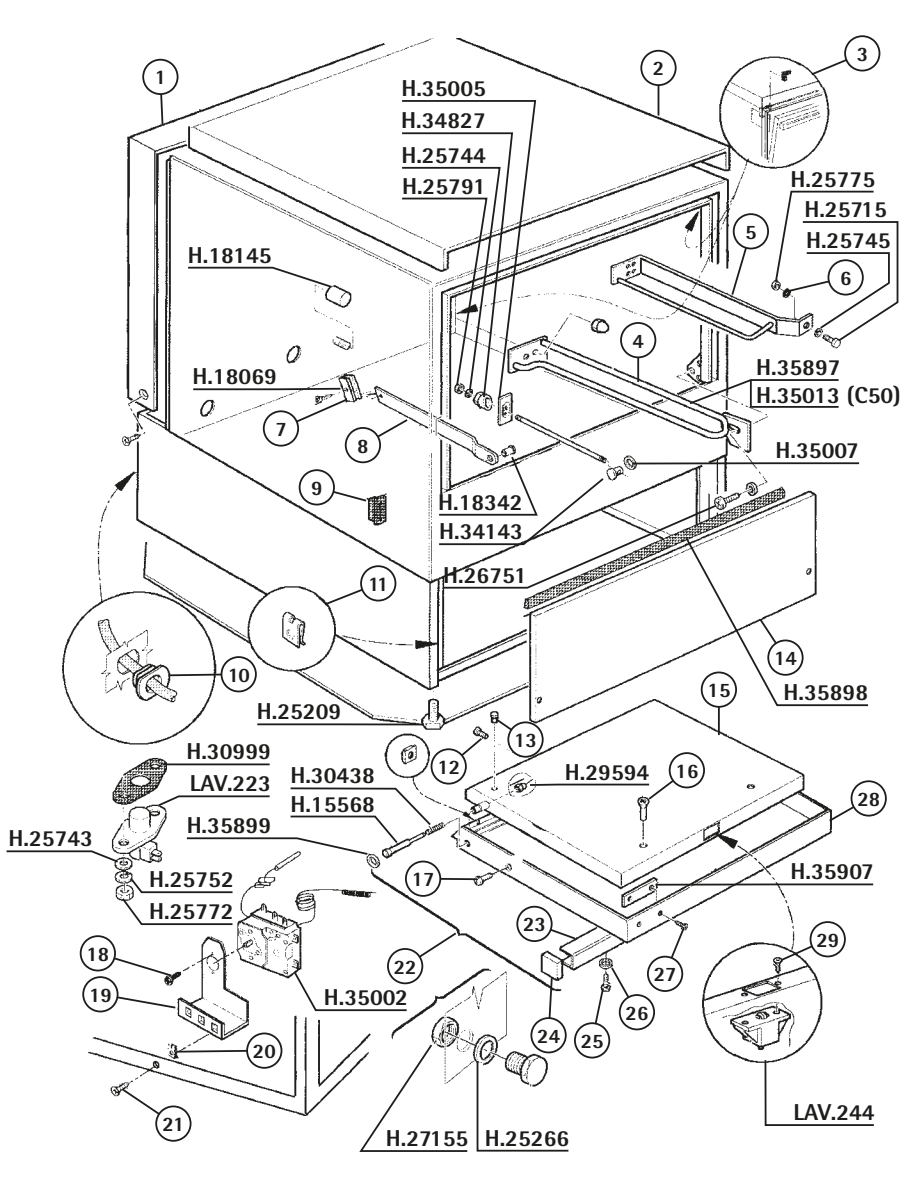


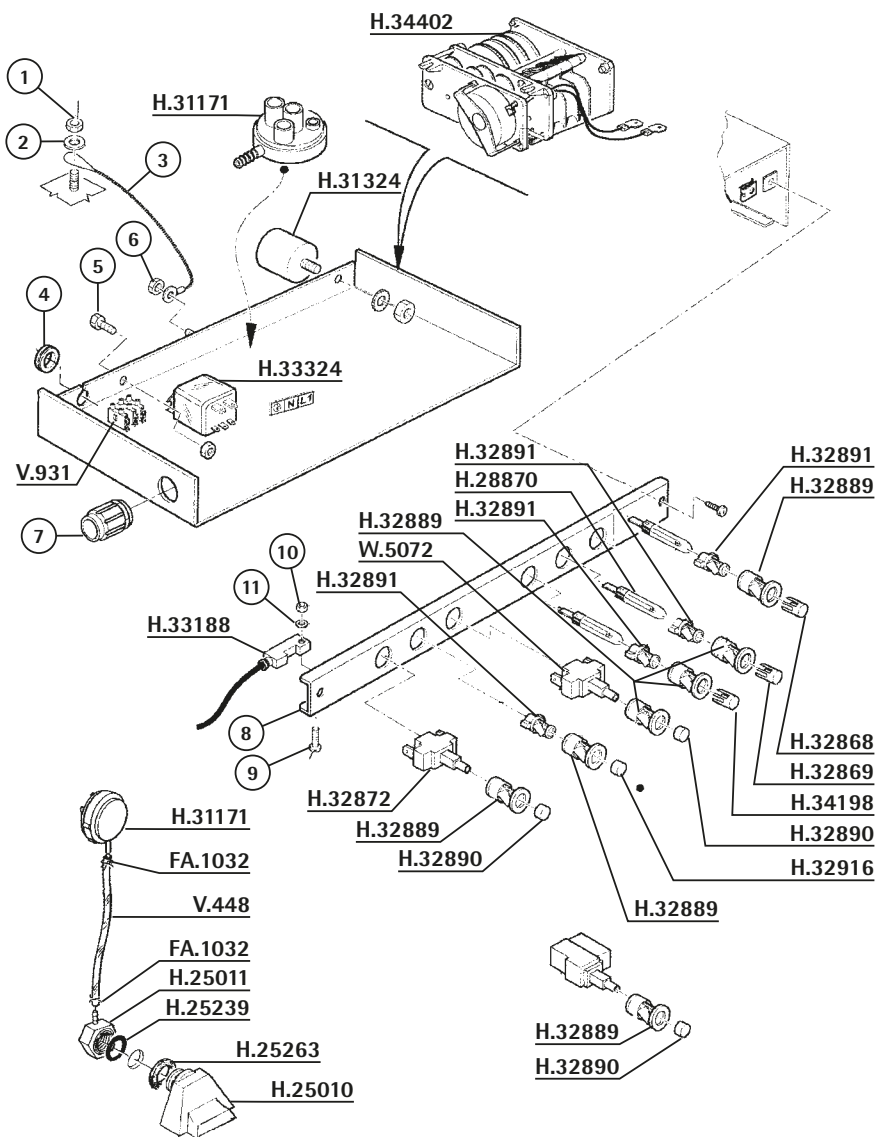
REF.	DESCRIPCIÓN	DESCRIPTION
BF.186	TORICA CALDERA GOMA	RUBBER RING
H25001	BASE FILTRO	FILTER BASE
H25002	RACOR DESAGÜE	DRAIN FITTING
H25005	TUERCA PLASTICO	PLASTIC NUT
H25006	TUERCA PLASTICO	PLASTIC NUT
H25008	TUERCA PLASTICO	NUT
H25010	CAMARA PRESOSTATICA	PRESSURE SWITCH CHAMBER
H25011	RACOR PLASTICO	FITTING
H25013	SOBRENIVEL	OVERFLOW
H25014	SOBRENIVEL	OVERFLOW
H25015	SOBRENIVEL	OVERFLOW
H25018	SOPORTE FILTRO	FILTER SUPPORT
H25019	SOPORTE FILTRO	FILTER SUPPORT
H25020	PROTECTOR RESIDUOS	RESIDUES PROTECTOR
H25021	FILTRO CUBA	TANK FILTER
H25022	FILTRO CUBA	TANK FILTER
H25032	TAPON	CAP
H25107	RACOR DESAGÜE	DRAIN FITTING
H25216	TUBO DESAGÜE TODOS MODELO	OUTLET PIPE
H25239	TORICA CIERRE	CLOSING RING
H25260	JUNTA GOMA	RUBBER GASKET
H25261	JUNTA GOMA	RUBBER GASKET
H25263	JUNTA CIERRE GOMA	CLOSING RUBBER GASKET
H25370	RESIST.CUBA 2000W 230V	2000W 230V TANK RESISTANCE
H25432	PRESOSTATO SAL/HOR.60/45	60/45 HORIZ.PRESS.SWITCH
H25789	PALOMILLA FILTRO	FILTER SMUGGLER
H25807	ABRAZADERA 25-40	25-40 CLAMP
H27041	MANGUITO DESAGÜE UNI 48	UNI48 DRAIN SLEEVE
LB.142	TUERCA RACORD LC-80	LC-80 FITTING NUT
V..200	TUBO DESAGÜE 17mm 1,8mt	17mm. 1.8mt OUTLET PIPE
V..201	TUBO DESAGÜE 28mm. 1,5mt.	28mm. 1.5mt OUTLET PIPE
V..448	TUBO PRESOSTATO-METRO 4X6	4X6 PRE.SWITCH INLET PIPE

REF.	DESCRIPCIÓN	DESCRIPTION
DH.117	ABRAZADERA 46-70	46-70 CLAMP
H..102	MOTOR HP.33	HP.33 MOTOR
H..103	MOTOR HP.75	HP.75 MOTOR
H25218	MANGUITO ASPIRACION	SUCTION SLEEVE
H25221	MANGUITO ENVIO	OUTLET SLEEVE
H25807	ABRAZADERA 25-40	25-40 CLAMP
H26181	TAPA BOMBA	MOTOR LID
H26182	TAPA BOMBA	MOTOR LID
H26192	RETEN EJE BOMBA	MECHANICAL SEAL
H26204	TURBINA BOMBA	PUMP TURBINE
H26206	TURBINA BOMBA	PUMP TURBINE
H26224	JUNTA TAPA BOMBA GOMA	PUMP COVER RUBBER GASKET
H26229	JUNTA TAPA BOMBA GOMA	PUMP COVER RUBBER GASKET
H26907	MANGUITO ASPIRACION	SUCTION SLEEVE
H26908	MANGUITO ASPIRACION	SUCTION SLEEVE
H27009	MANGUITO ENVIO	OUTLET SLEEVE
H27011	MANGUITO ENVIO	OUTLET SLEEVE
H30453	MANGUITO ENVIO	OUTLET SLEEVE
H30460	MANGUITO ASPIRACION	SUCTION SLEEVE
H30464	MANGUITO ENVIO	OUTLET SLEEVE
H30466	MANGUITO ASPIRACION	SUCTION SLEEVE
H31150	MANGUITO ENVIO	OUTLET SLEEVE
H31193	MANGUITO ENVIO	OUTLET SLEEVE
H31194	MANGUITO ASPIRACION	SUCTION SLEEVE
H31236	MANGUITO ASPIRACION	SUCTION SLEEVE
H31260	MOTOR HP.33 UNI48C	HP.33 UNI48C MOTOR
LB.172	RACOR DOSI.3/8M L.40mm	L.40mm SHORT DOSI.FITTING
V...68	ABRAZADERA 32-50	35-50 CLAMP



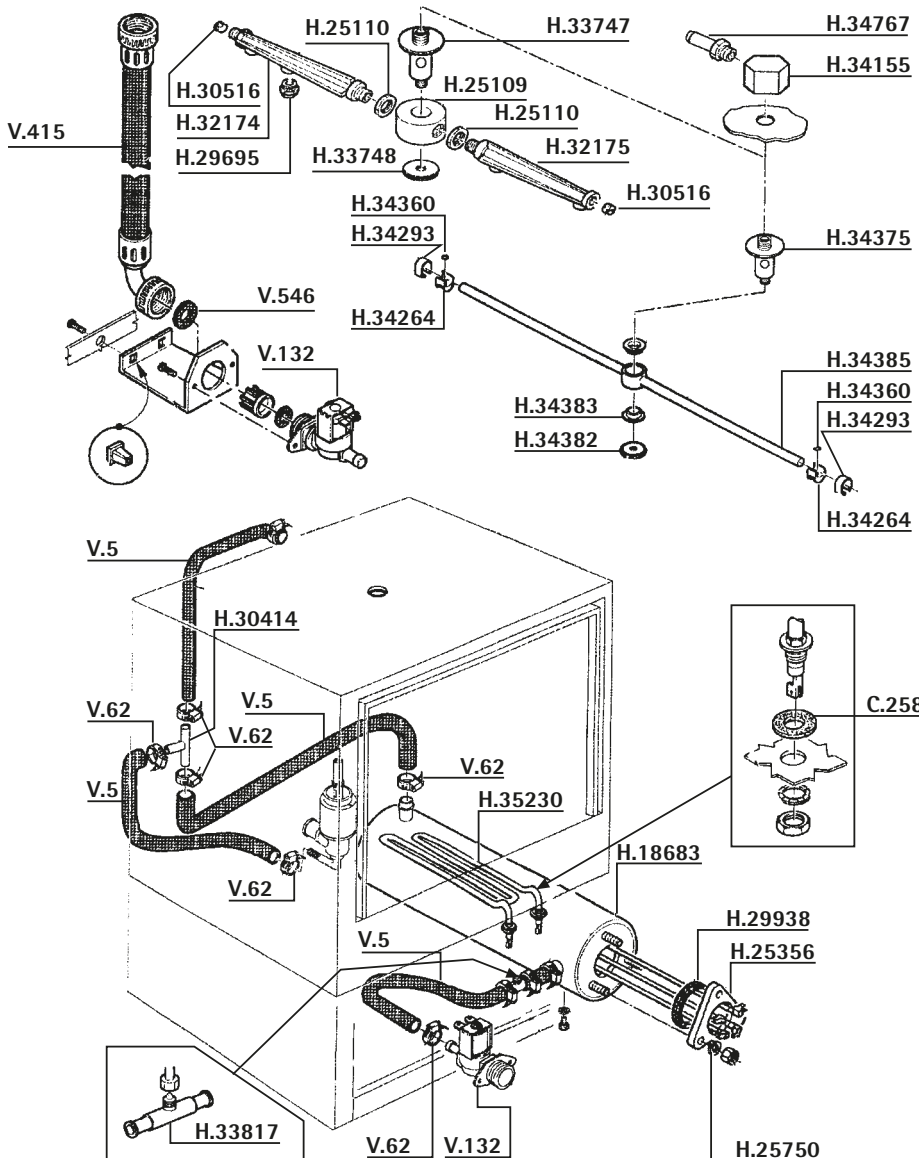
REF.	DESCRIPCIÓN	DESCRIPTION
H15568	PERNO	PIN
H18069	TOPE BISAGRA	HINGE STOP
H18145	EMPUJADOR CESTO	BASKET PUSH
H18342	CASQUILLO	CAP
H25209	PIE MAQUINA	MACHINE FOOT
H25266	JUNTA PLANA GOMA	FLAT RUBBER GASKET
H25715	TORNILLO INOX M6x15 mm	M6x15 mm INOX SCREW
H25743	ARANDELA	WASHER
H25744	ARANDELA	WASHER
H25745	ARANDELA	WASHER
H25752	ARANDELA	WASHER
H25772	TUERCA	NUT
H25775	TUERCA	NUT
H25791	TUERCA AUTOBLOCANTE	AUTOBLOC NUT
H26751	TORNILLO	SCREW
H27155	TUERCA	NUT
H29594	TUERCA	NUT
H30438	MUELLE CIERRE PUERTA	CLOSING SPRING
H30999	JUNTA GOMA	RUBBER GASKET
H34143	PERNO	BOLT
H34827	TOPE	STOP
H35002	TERMOSTATO DOBLE	DOUBLE THERMOSTAT
H35005	PLACA	ED -650 E/C WASHER
H35007	ARANDELA	WASHER
H35013	GUIA PUERTA C-60 REDONDO	C-60 ROUND DOOR GUIDE
H35897	EJE PUERTA C35	C35 DOOR ROD
H35898	JUNTA PUERTA	DOOR GASKET
H35899	ARANDELA	WASHER
H35907	IMAN	AIMANT
LAV223	TERMOSTATO CUBA B11/12	B-11/12 TANK THERMOSTAT
LAV244	CIERRE PUERTA	CLOSING DOOR





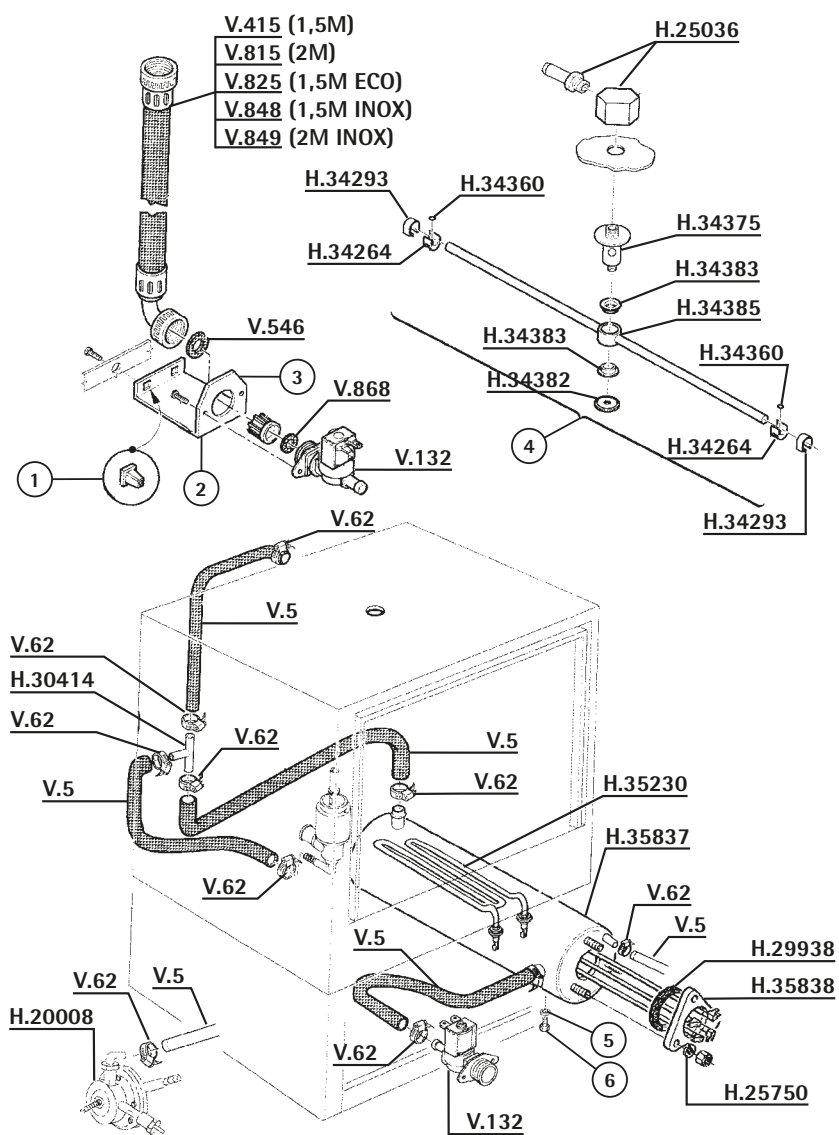
REF.	DESCRIPCIÓN	DESCRIPTION
FA.1032	BRIDA	CLASP
H25010	CAMARA PRESOSTATICA	PRESSURE SWITCH CHAMBER
H25011	RACOR PLASTICO	FITTING
H25239	TORICA CIERRE	CLOSING RING
H25263	JUNTA CIERRE GOMA	CLOSING RUBBER GASKET
H28870	PILOTO BLANCO 8mm C.CABLE	8mm W.WIRING GREEN LAMP
H31171	PRESOSTATO SAL/HOR.28/12	28/12 HORIZ.PRESS.SWITCH
H31324	FILTRO ANTIPARASITO	FILTER
H32868	PILOTO VERDE	GREEN WARNING LAMP
H32869	PILOTO NARANJA	ORANGE WARNING LAMP
H32872	INTERRUPTOR	SWITCH
H32889	SOPORTE PLASTICO GRIS	SUPPORT
H32890	BOTON PULSADOR	PUSH-BUTTON
H32891	SOPORTE PILOTO	LAMP SUPPORT
H32916	TAPON	CAP
H33188	MICRO	MICRO
H33324	RELE	RELAY
H34198	TAPA AZUL	BLUE LIT
H34402	PROGRAMADOR 4 MICROS 120"	120" 4 TOOTH TIMER
V.448	TUBO PRESOSTATO-METRO 4X6	4X6 PRE.SWITCH INLET PIPE
V.931	REGLETA 9 POLOS D.4,5MM	D.4,5mm 9 POLES CONNECT
W.5072	PULSANTE	PUSH-BUTTON

Calderín / Resistencia / Giratorio C35 - SPB35 Antiguo ■ Old C35 - SPB35 Giratory / Resistance / Boiler

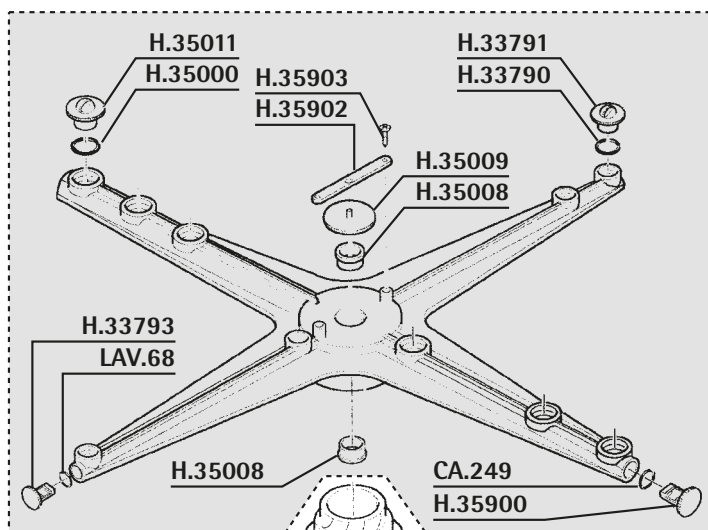


REF.	DESCRIPCIÓN	DESCRIPTION
C..258	JUNTA ALIMENTARIA	ALIMENTARY GASKET
H18683	CALDERIN C3/4/43/48	C3/4/43/48 BOILER
H25109	RACOR CENTRAL	CENTRAL FITTING
H25110	TUERCA HEXAGONAL PLASTICO	NUT
H25356	RESISTENCIA 3000 W 230V	RESISTANCE 3000 W 230V
H25750	ARANDELA	WASHER
H29695	ROCIADOR ACLARADO	RINSE SPRAY
H29938	JUNTA RESIST.TRIANG.GOMA	RESISTANCE RUBBER GASKET
H30414	RACOR EMPALME	UNION FITTING
H30516	TAPON BRAZO ACLARADO	CLEAR ARM CAP
H32174	BRAZO ASTA ACLARADO DERC.	RIGHT RINSE ARM
H32175	BRAZO ASTA ACLARADO IZQ.	LEFT RINSE ARM
H33747	PERNO SUPERIOR	UPPER BOLT
H33748	TUERCA BRAZO ACLARADO	RINSE ARM NUT
H33817	T CALDERIN	BOILER T
H34155	CONEXION ALIMENTACION ACLARADO	RINSE CONNECTION
H34264	SURTIDOR ACLARADO	RINSE SPRAY
H34293	MUELLE	SPRING
H34360	JUNTA TORICA 7 X 1 NBR 70	GASKET
H34375	PERNO ACLARADO	RINSE BOLT
H34382	TUERCA	NUT
H34383	CASQUILLO	CAP
H34385	ASTA ACLARADO	RINSE ARM
H34767	PORTAGOMA	PORTAGOMA
H35230	RESISTENCIA CUBA 2000W 230V	2000 W 230V TANK RESISTANCE
V....5	TUBO GOMA 10X16 20 ATM	20ATM 10X17 RUBBER PIPE
V..62	ABRAZADERA 12-20	12-20 CLAMP
V.132	ELECTROVAL.1 VIA LAV.220V	WASH 1 WAY 220V SOLENOID
V.415	TOMA LAVADORA 1,5M	QUALITY 1.5M.INLET W.FLEX
V.546	JUNTA GOMA 3/4	WATER INLET RUBBER GASKET

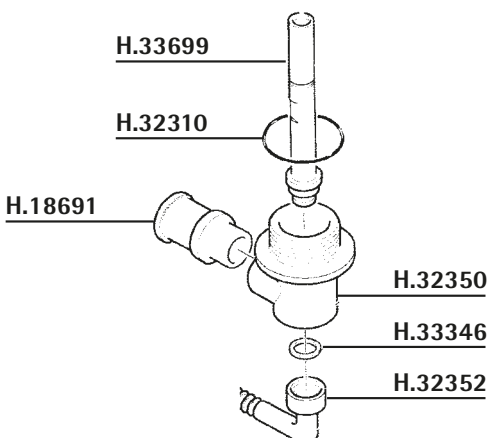
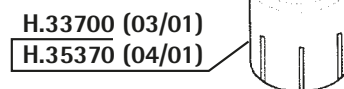
REF.	DESCRIPCIÓN	DESCRIPTION
H20008	DOSIFICADOR ABRILLANTADOR	RINSE AID DOSIMETER
H25036	RACOR CODO	FITTING
H25750	ARANDELA	WASHER
H29938	JUNTA RESIST.TRIANG.GOMA	RESISTANCE RUBBER GASKET
H30414	RACOR EMPALME	UNION FITTING
H34264	SURTIDOR ACLARADO	RINSE SPRAY
H34293	MUELLE	SPRING
H34360	JUNTA TORICA 7 X 1 NBR 70	GASKET
H34375	PERNO ACLARADO	RINSE BOLT
H34382	TUERCA	NUT
H34383	CASQUILLO	CAP
H34385	ASTA ACLARADO	RINSE ARM
H35230	RESISTENCIA CUBA 2000W 230V	2000 W 230V TANK RESISTANCE
H35837	CALDERIN C/CR/STSD/43/48 +2001	C/CR/STSD/43/48+2001 BOILER
H35838	RESISTENCIA CALD.C-48 +2001	C-48 +2001 RESISTANCE
V....5	TUBO GOMA 10X16 20 ATM	20ATM 10X17 RUBBER PIPE
V...62	ABRAZADERA 12-20	12-20 CLAMP
V.132	ELECTROVAL.1 VIA LAV.220V	WASH 1 WAY 220V SOLENOID
V..415	TOMA LAVADORA 1,5M	QUALITY 1.5M.INLET W.FLEX
V..546	JUNTA GOMA 3/4	WATER INLET RUBBER GASKET
V..815	TOMA LAVADORA 2 METROS	2 MT.INLET WATER FLEXIBLE
V..825	TOMA LAVADORA 1.5 "ECO"	"ECO"1.5M INLET WA.FLEXIB
V..848	TOMA LAVADORA 1.5M INOX	INOX 1.5M INLET WATER FL.
V..849	TOMA LAV.INOX 2MT.3/4X3/4	INOX 2MT.INLET WATER FLE.
V..868	FILTRO TOMA LAVADORA 3/4	INLET WATER FILTER

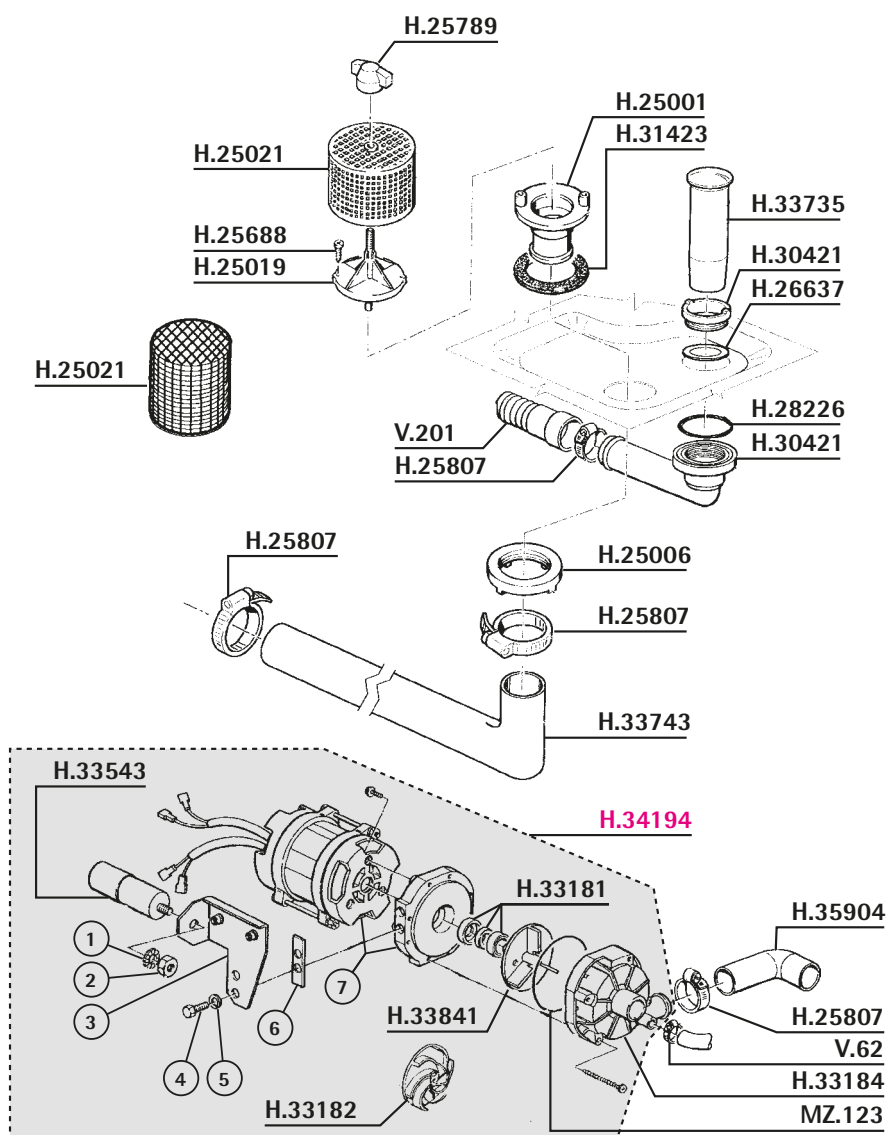


REF.	DESCRIPCIÓN	DESCRIPTION
CA.249	TORICA VALVULA	VALVE RING
H18691	PORTAGOMAS	GASKETHOLDER
H32310	TORICA GOMA NBR	RING
H32350	GRUPO CENTRAL	CENTRAL GROUP
H32352	CODO LATON	BRASS ELBOW
H33346	DISCO GRUPO CENTRAL	CENTRAL GROUP DISK
H33699	EJE	ROD
H33700	TUERCA PLASTICO REBOSADERO	OVERFLOW NUT
H33790	TORICA GOMA	RING
H33791	RACOR ACLARADO	CLEAR FITTING
H33793	TAPON BRAZO ACLARADO	CLEAR ARM CAP
H35000	TORICA	RING
H35008	CASQUILLO	CAP
H35009	TORNILLO FIJACION	FIXATION SCREW
H35011	ROCIADOR AGUA	WATER SPRAY
H35370	SOPORTE ASPAS	REEL SUPPORT
H35900	TAPON GIRATORIO	GIRATORY COVER
H35901	GIRATORIO COMPLETO 09/01	09/01 COMPLET GIRATORY
H35902	PLACA GIRATORIO	GIRATORY PLATE
H35903	TORNILLO GIRATORIO	GIRATORY SCREW
LAV.68	TORICA GOMA EPDM	RUBBER RING
LAV.72	GIRATORIO LAVADO F-20	F-20 WASHING GYRATORY



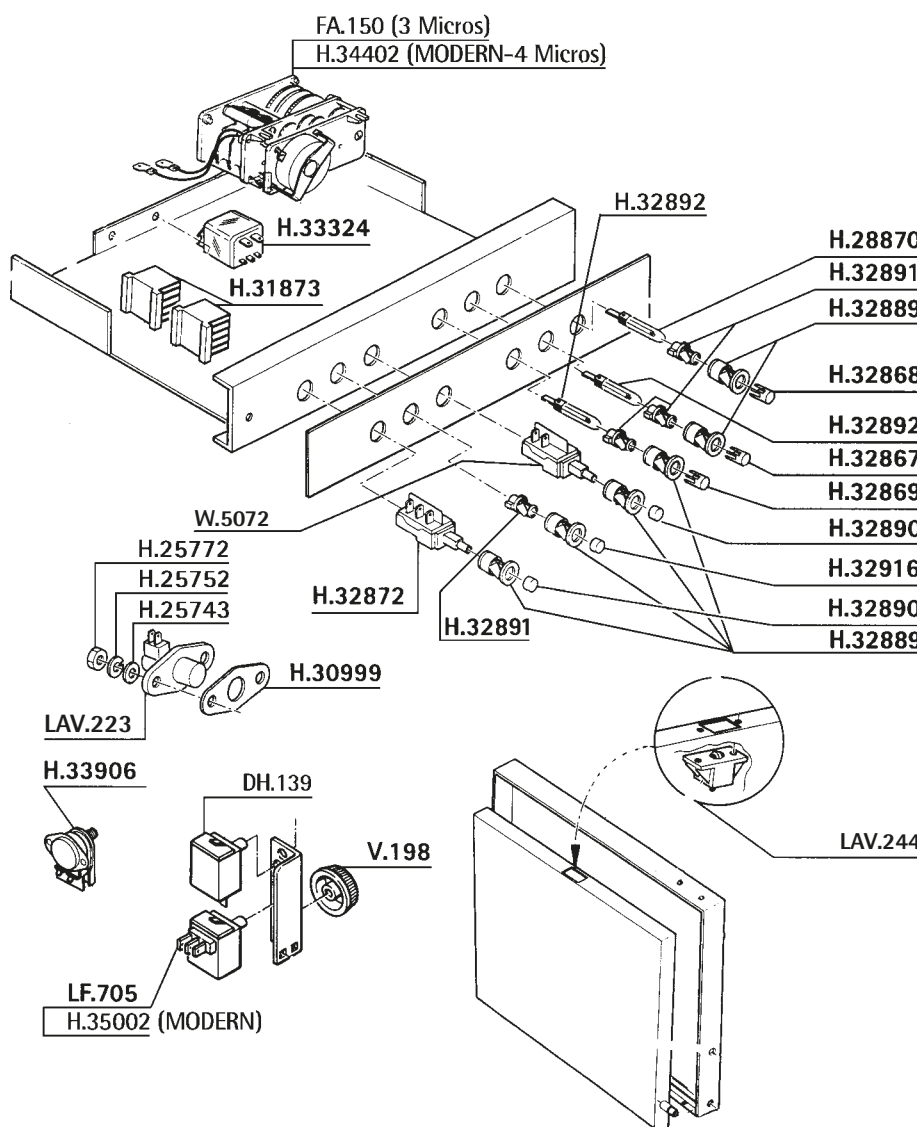
LAV.72 (08/01)
H.35901 (09/01)





REF.	DESCRIPCIÓN	DESCRIPTION
H25001	BASE FILTRO	FILTER BASE
H25006	TUERCA PLASTICO	PLASTIC NUT
H25019	SOPORTE FILTRO	FILTER SUPPORT
H25021	FILTRO CUBA	TANK FILTER
H25688	TORNILLO INOX	INOX SCREW
H25789	PALOMILLA FILTRO	FILTER SMUGGLER
H25807	ABRAZADERA 25-40	25-40 CLAMP
H26637	JUNTA PILETA GOMA	RUBBER GASKET
H28226	TORICA CIERRE	CLOSING RING
H30421	CODO DESAGÜE	DRAIN ELBOW
H31423	JUNTA GOMA	RUBBER GASKET
H33181	RETEN BOMBA	MECHANICAL SEAL
H33182	GIRANTE BOMBA	PUMP GYRATORY
H33184	TAPA BOMBA	MOTOR LID
H33543	CODENSADOR	CONDENSER
H33735	SOBRENIVEL 43/48	43/48 OVERFLOW
H33743	MANGUITO ASPIRACION	SUCTION SLEEVE
H33841	GIRANTE BOMBA	PUMP GYRATORY
H34194	MOTOR C-CR 43/48	0,15 HP WASHING PUMP
H35904	CODO	ELBOW
MZ.123	TORICA GOMA TESTINA	HEAD RUBBER RING
V..62	ABRAZADERA 12-20	12-20 CLAMP
V..201	TUBO DESAGÜE 28mm. 1,5mt.	28mm. 1.5mt. OUTLET PIPE

Mandos C-CR-STS ■ C-CR-STS Handles

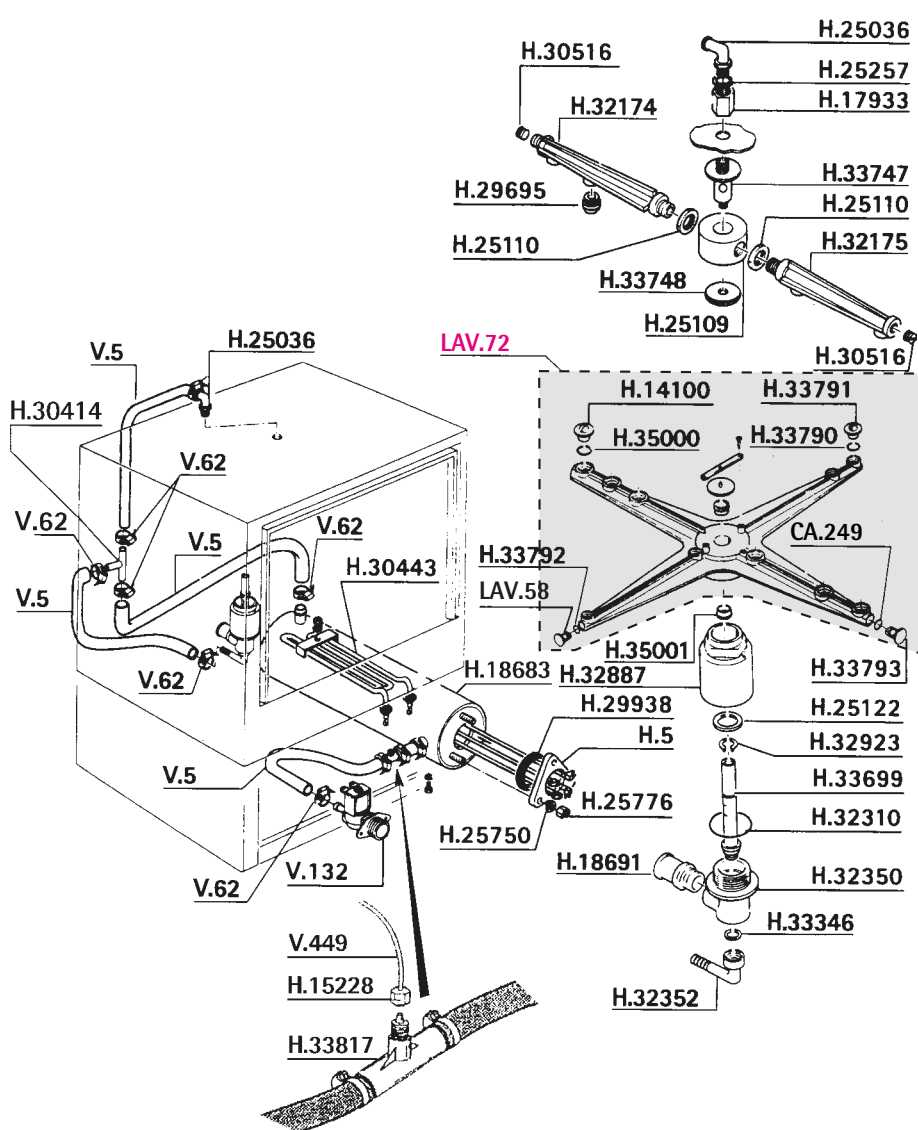


REF.	DESCRIPCIÓN	DESCRIPTION
DH.139	TERMOST.SEGURIDAD 90-110°	90-110° SAFETY THERMOSTAT
FA.150	PROGRAMADOR 3 MICROS 120S	3 TOOTH 120S TIMER
H25743	ARANDELA	WASHER
H25752	ARANDELA	WASHER
H25772	TUERCA	NUT
H28870	PILOTO BLANCO 8mm C.CABLE	8mm W.WIRING GREEN LAMP
H30999	JUNTA GOMA	RUBBER GASKET
H31873	CONTACTOR	CONTACTOR
H32867	FUNDA PILOTO	LAMP COVER
H32868	PILOTO VERDE	GREEN WARNING LAMP
H32869	PILOTO NARANJA	ORANGE WARNING LAMP
H32872	INTERRUPTOR	SWITCH
H32889	SOPORTE PLASTICO GRIS	SUPPORT
H32890	BOTON PULSADOR	PUSH-BUTTON
H32891	SOPORTE PILOTO	LAMP SUPPORT
H32892	PILOTO BLANCO 8mm 220V	8mm 220V WHITE LAMP
H32916	TAPON	CAP
H33324	RELE	RELAY
H33906	TERMOSTATO BIPOLAR 105°	105° THERMOSTAT
H34402	PROGRAMADOR 4 MICROS 120°	120° 4 TOOTH TIMER
H35002	TERMOSTATO DOBLE	DOUBLE THERMOSTAT
LAV223	TERMOSTATO CUBA B11/12	B-11/12 TANK THERMOSTAT
LAV244	CIERRE PUERTA	CLOSING DOOR
LF.705	TERMOSTATO 90° BULBO 3mt.	90° BULB 3m THERMOSTAT
V.198	MANDO TERMOSTATO 90°	90° THERMOSTAT HANDLE
W.5072	PULSADOR	PUSH BUTTON

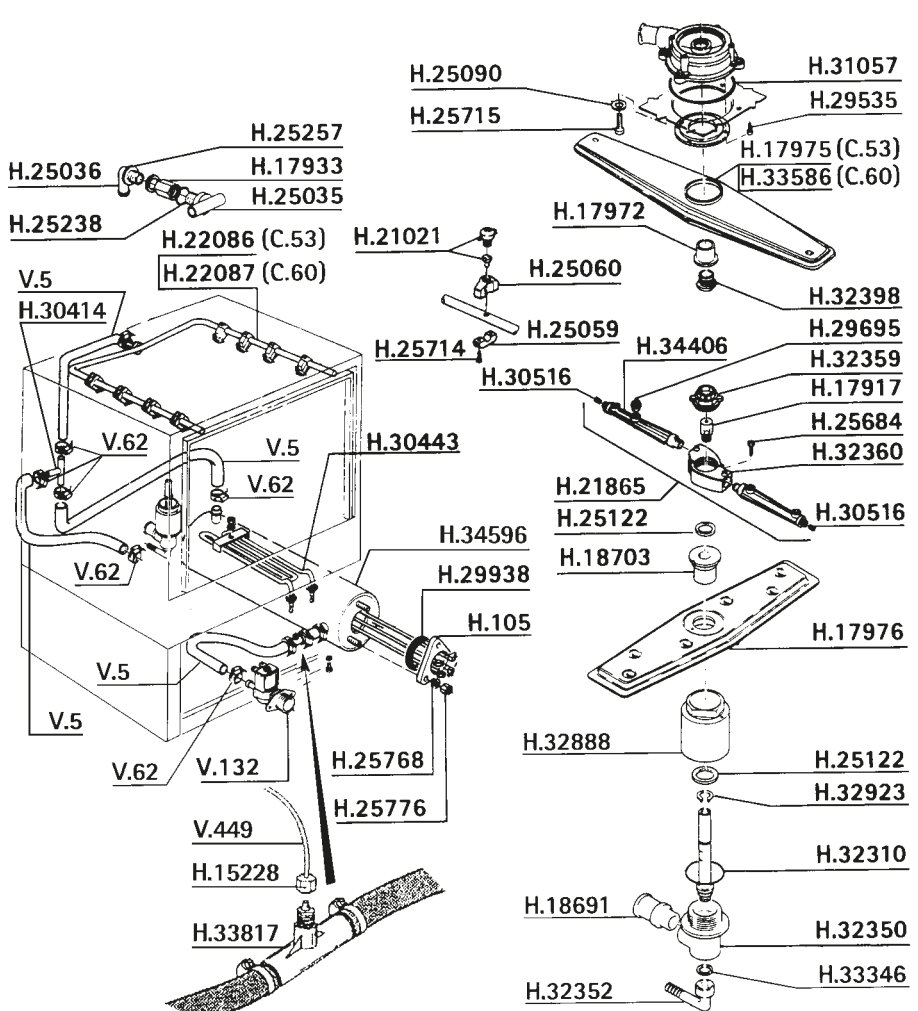


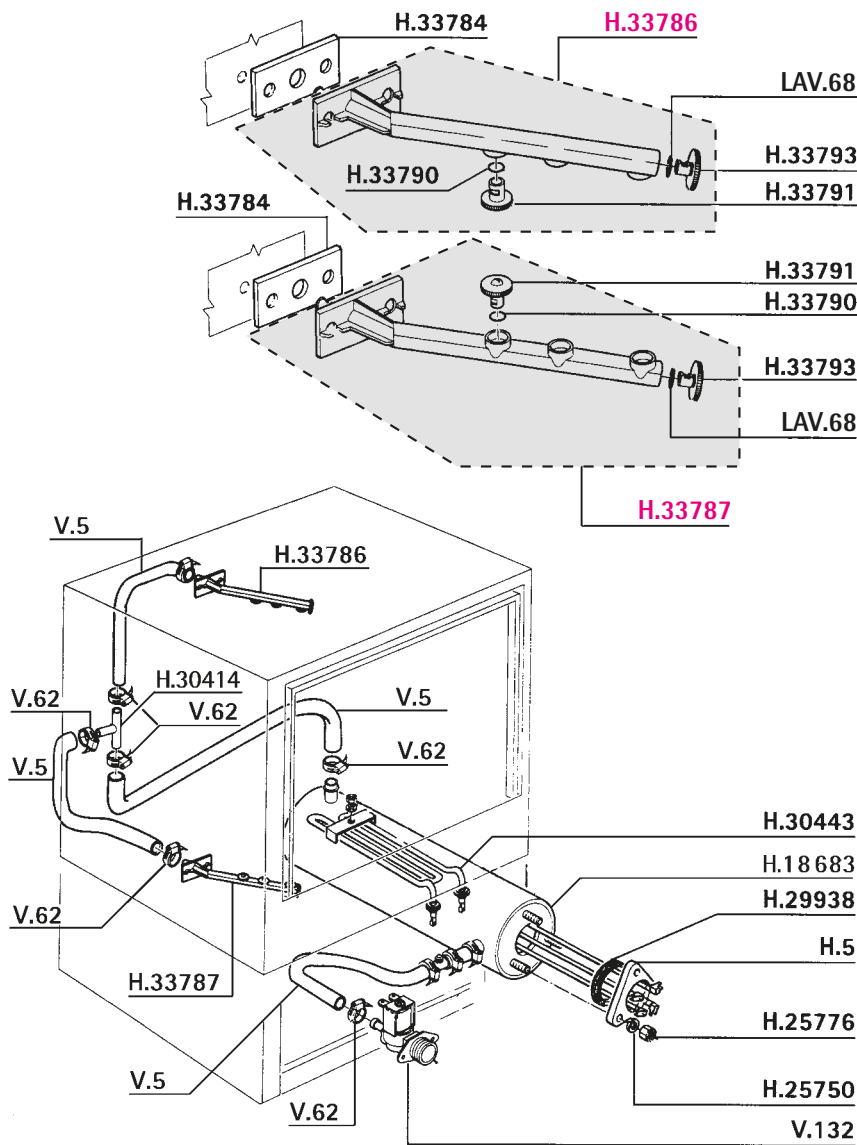
Ahorre tiempo y dinero.
Pida el recambio a ASCASO.

REF.	DESCRIPCIÓN	DESCRIPTION
CA.249	TORICA VALVULA	VALVE RING
H.....5	RESIST.CALDERIN 2700W 230V	2700W 230V BOILER RESISTANCE
H14100	RACOR LAVADO	WASHING FITTING
H15228	TUERCA BOMBA ABRILLANTADO	BRIGHTNESS PUMP NUT
H17933	RACOR EMPALME	UNION FITTING
H18683	CALDERIN C3/4/43/48	C3/4/43/48 BOILER
H18691	PORTAGOMAS	GASKETHOLDER
H25036	RACOR CODO	FITTING
H25109	RACOR CENTRAL	CENTRAL FITTING
H25110	TUERCA HEXAGONAL PLASTICO	NUT
H25122	ARANDELA ASTA LAVADO	WASH TREE WASHER
H25257	JUNTA PLANA GOMA	FLAT RUBBER GASKET
H25750	ARANDELA	WASHER
H25776	TUERCA INOX	INOX NUT
H29695	ROCIADOR ACLARADO	RINSE SPRAY
H29938	JUNTA RESIST.TRIANG.GOMA	RESISTANCE RUBBER GASKET
H30414	RACOR EMPALME	UNION FITTING
H30443	RESISTENCIA CUBA 600W 230V	600W 230V TANK RESISTANCE
H30516	TAPON BRAZO ACLARADO	CLEAR ARM CAP
H32174	BRAZO ASTA ACLARADO DERC.	RIGHT RINSE ARM
H32175	BRAZO ASTA ACLARADO IZQ.	LEFT RINSE ARM
H32310	TORICA GOMA NBR	RING
H32350	GRUPO CENTRAL	CENTRAL GROUP
H32352	CODO LATON	BRASS ELBOW
H32887	SOPORTE ASPAS	UPPER REEL SUPPORT
H32923	SEEGER	SEEGER
H33346	DISCO GRUPO CENTRAL	CENTRAL GROUP DISK
H33699	EJE	ROD
H33747	PERNO SUPERIOR	UPPER BOLT
H33748	TUERCA BRAZO ACLARADO	RINSE ARM NUT
H33790	TORICA GOMA	RING
H33791	RACOR ACLARADO	CLEAR FITTING
H33792	SERVIR LAV.68	GO TO LAV.68
H33793	TAPON BRAZO ACLARADO	CLEAR ARM CAP
H33817	T CALDERIN	BOILER T
H35000	TORICA	RING
H35001	CASQUILLO	CAP
LAV.58	TAPON GIRATORIO LAVADO	WASHING REVOLVING CAP
LAV.72	GIRATORIO LAVADO F-20	F-20 WASHING GYRATORY
V.....5	TUBO GOMA 10X16 20 ATM	20ATM 10X17 RUBBER PIPE
V...62	ABRAZADERA 12-20	12-20 CLAMP
V..132	ELECTROVAL.1 VIA LAV.220V	WASH 1 WAY 220V SOLENOID
V..449	TUBO NYLON 4X6mm (1MT)	(1M) 4X6mm NYLON PIPE



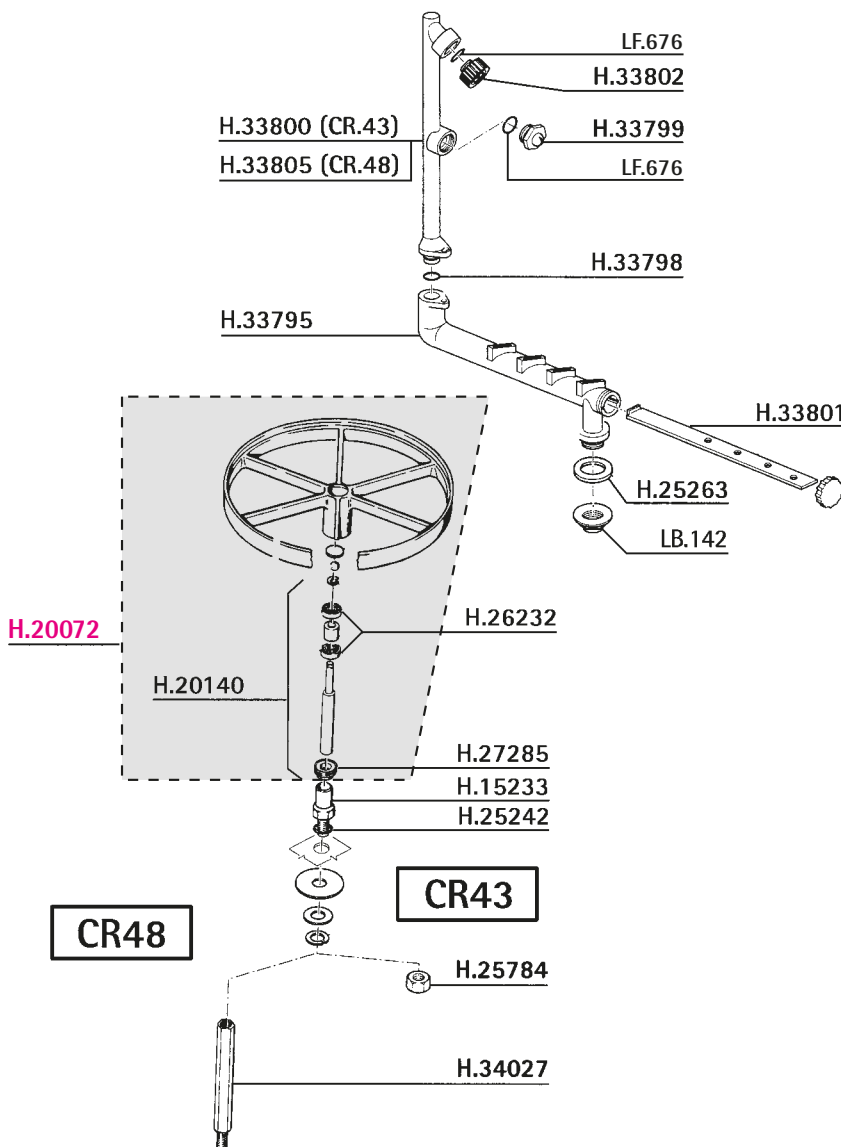
REF.	DESCRIPCIÓN	DESCRIPTION
H..105	RESISTENCIA 4000W 230V	4000W 230V RESISTANCE
H15228	TUERCA BOMBA ABRILLANTADO	BRIGHTNESS PUMP NUT
H17917	TUERCA	NUT
H17933	RACOR EMPALME	UNION FITTING
H17972	CASQUILLO	CAP
H17975	ASTA LAVADO	WASHING ARM
H17976	ASTA LAVADO	WASHING ARM
H18691	PORTAGOMAS	GASKETHOLDER
H18703	SOPORTE ASTAS	ARMS SUPPORT
H21021	RACOR ACLARADO	RINSE FITTING
H21865	ASTA ACLARADO STS 53-60	STS 53-60 RINSE ARM
H22086	ASTA ACLARADO C-ST5 53	C-ST5 53 RINSE ARM
H22087	ASTA ACLARADO C-ST5 60	C-ST5 60 RINSE ARM
H25035	"T"ACLARADO	CLEAR UNION
H25036	RACOR CODO	FITTING
H25059	BRIDA INFERIOR ROCIADOR	LOWER CLASP
H25060	BRIDA SUPERIOR ROCIADOR	UPPER CLASP
H25090	ARANDELA NYLON	NYLON WASHER
H25122	ARANDELA ASTA LAVADO	WASH TREE WASHER
H25238	TORICA DE CIERRE	CLOSING RING
H25257	JUNTA PLANA GOMA	FLAT RUBBER GASKET
H25684	TORNILLO	SCREW
H25714	TORNILLO INOX	INOX SCREW
H25715	TORNILLO INOX M6x15 mm	M6x15 mm INOX SCREW
H25768	ARANDELA	WASHER
H25776	TUERCA INOX	INOX NUT
H29535	TORNILLO INOX	INOX SCREW
H29695	ROCIADOR ACLARADO	RINSE SPRAY
H29938	JUNTA RESIST.TRIANG.GOMA	RESISTANCE RUBBER GASKET
H30414	RACOR EMPALME	UNION FITTING
H30443	RESISTENCIA CUBA 600W 230V	600W 230V TANK RESISTANCE
H30516	TAPON BRAZO ACLARADO	CLEAR ARM CAP
H31057	TORICA CIERRE TURBINA	CLOSING RING
H32310	TORICA GOMA NBR	RING
H32350	GRUPO CENTRAL	CENTRAL GROUP
H32352	CODO LATON	BRASS ELBOW
H32359	TAPON ASTA	ARM CAP
H32360	CUERPO ASTA ACLARADO	WASHING ARM BODY
H32398	TAPON ASTA MACHO	ARM CAP
H32888	SOPORTE ASPA	REEL SUPPORT
H32923	SEEGER	SEEGER
H33346	DISCO GRUPO CENTRAL	CENTRAL GROUP DISK
H33586	ASTA LAVADO	WASHING ARM
H33817	T CALDERIN	BOILER T
H34406	BRAZO IZQUIERDO	LEFT ARM
H34596	CALDERIN C-53/C60	C-53/C-60 BOILER
V.....5	TUBO GOMA 10X16 20 ATM	20ATM 10X17 RUBBER PIPE
V...62	ABRAZADERA 12-20	12-20 CLAMP
V..132	ELECTROVAL.1 VIA LAV.220V	WASH 1 WAY 220V SOLENOID
V..449	TUBO NYLON 4X6mm (1MT)	(1M) 4X6mm NYLON PIPE





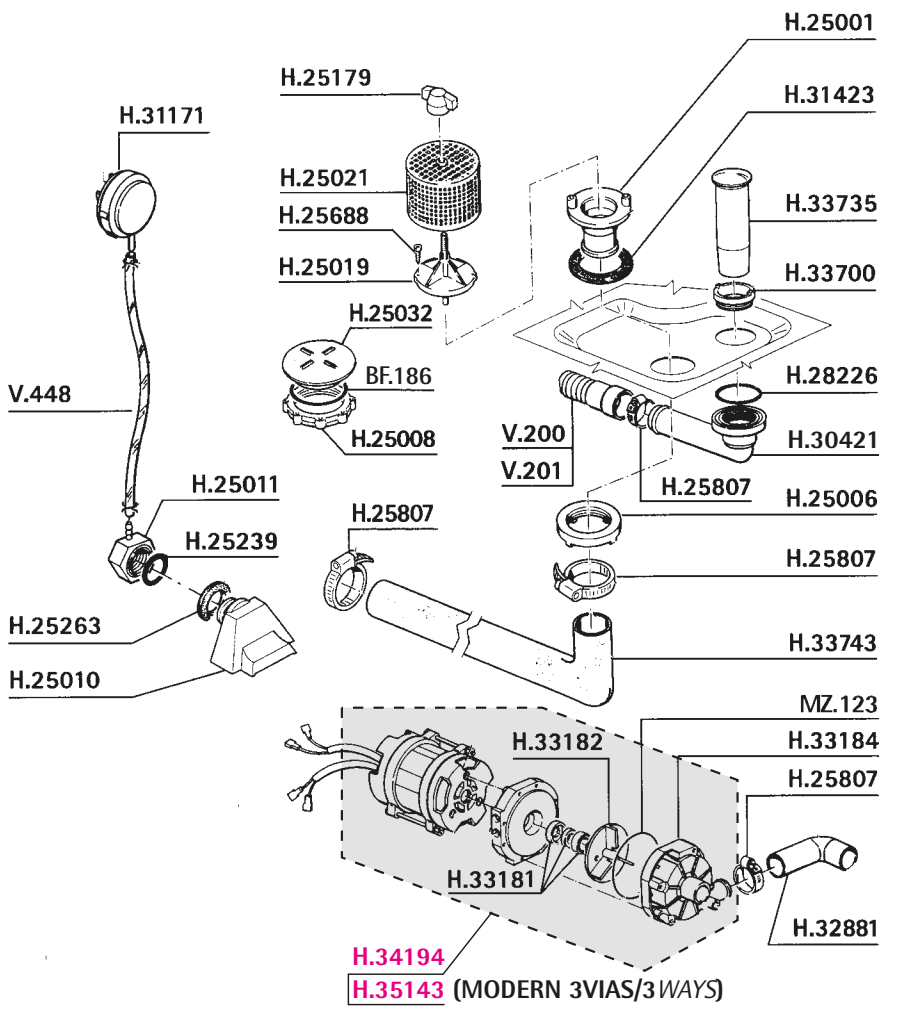
REF.	DESCRIPCIÓN	DESCRIPTION
H....5	RESIST.CALDERIN 2700W 230V	2700W 230V BOILER RESISTANCE
H18683	CALDERIN C3/4/43/48	C3/4/43/48 BOILER
H25750	ARANDELA	WASHER
H25776	TUERCA INOX	INOX NUT
H29938	JUNTA RESIST.TRIANG.GOMA	RESISTANCE RUBBER GASKET
H30414	RACOR EMPALME	UNION FITTING
H30443	RESISTENCIA CUBA 600W 230V	600W 230V TANK RESISTANCE
H33784	JUNTA BRAZO ACLARADO GOMA	RINSE ARM RUBBER GASKET
H33786	BRAZO ACLARADO SUPERIOR	UPPER RINSE ARM
H33787	BRAZO ACLARADO INFERIOR	LOWER RINSE ARM
H33790	TORICA GOMA	RING
H33791	RACOR ACLARADO	CLEAR FITTING
H33793	TAPON BRAZO ACLARADO	CLEAR ARM CAP
LAV.68	TORICA GOMA EPDM	RUBBER RING
V....5	TUBO GOMA 10X16 20 ATM	20ATM 10X17 RUBBER PIPE
V...62	ABRAZADERA 12-20	12-20 CLAMP
V.132	ELECTROVAL.1 VIA LAV.220V	WASH 1 WAY 220V SOLENOID

Lavado CR43-48 Antiguo ■ Old CR 43-48 Wash

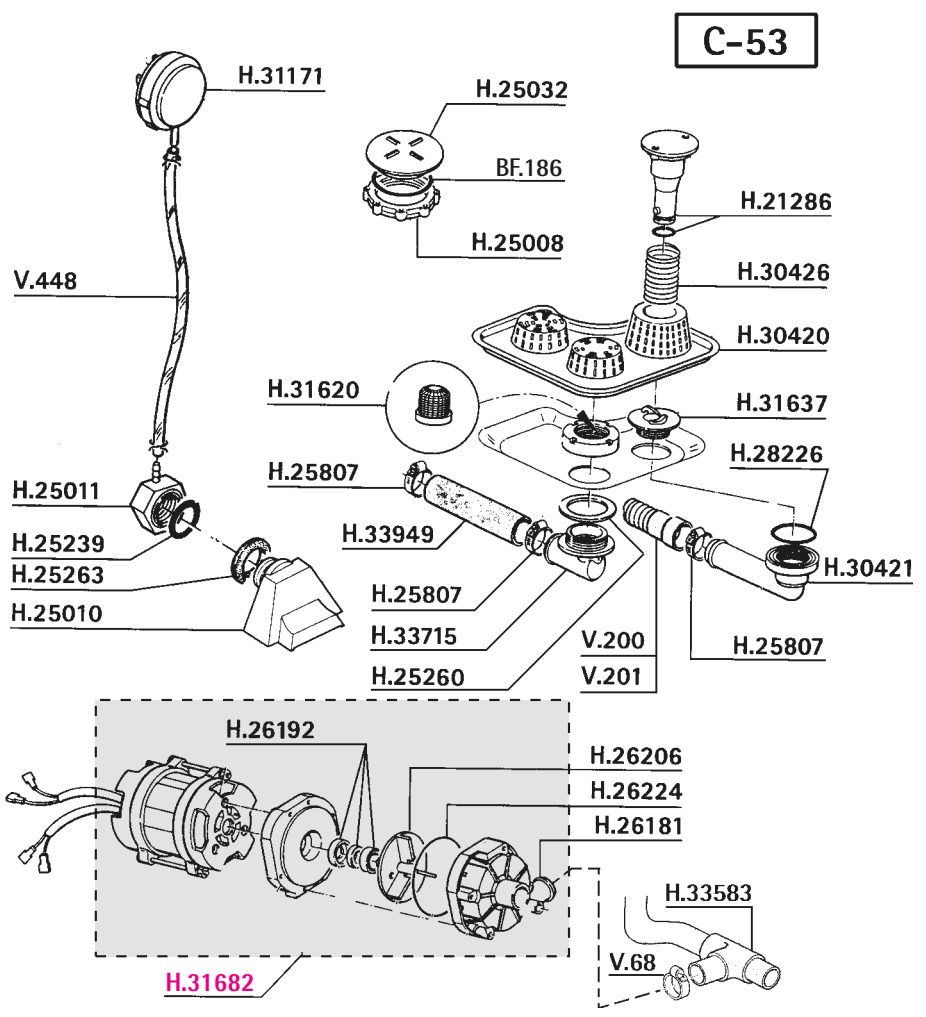


REF.	DESCRIPCIÓN	DESCRIPTION
H15233	BASE EJE	ROD BASE
H20072	VOLANTE COMPLETO	ROTATING PLATE
H20140	EJE VOLANTE	ROTATING PLATE ROD
H25242	TORICA GOMA	RUBBER RING
H25263	JUNTA CIERRE GOMA	CLOSING RUBBER GASKET
H25784	TUERCA	NUT
H26232	COJINETE EJE	ROD BALL BEARING
H27285	TUERCA	NUT
H33795	TUBO LAVADO INF.CR 43-48	LOWER WASHING PIPE
H33798	RACOR LAVADO	WASHING FITTING
H33800	BRAZO LAVADO SUP.CR.43	CR.43 UPPER WASHING ARM
H33801	DIFUSOR	DIFFUSER
H33802	RACOR A ROSCA	FITTING
H33805	BRAZO LAVADO SUP.CR.48	CR.48 UPPER WASHING ARM
H34027	ASTA HEXAGONAL CR 48	CR 48 ARM
LB.142	TUERCA RACORD LC-80	LC-80 FITTING NUT
LF.676	TORICA	RING

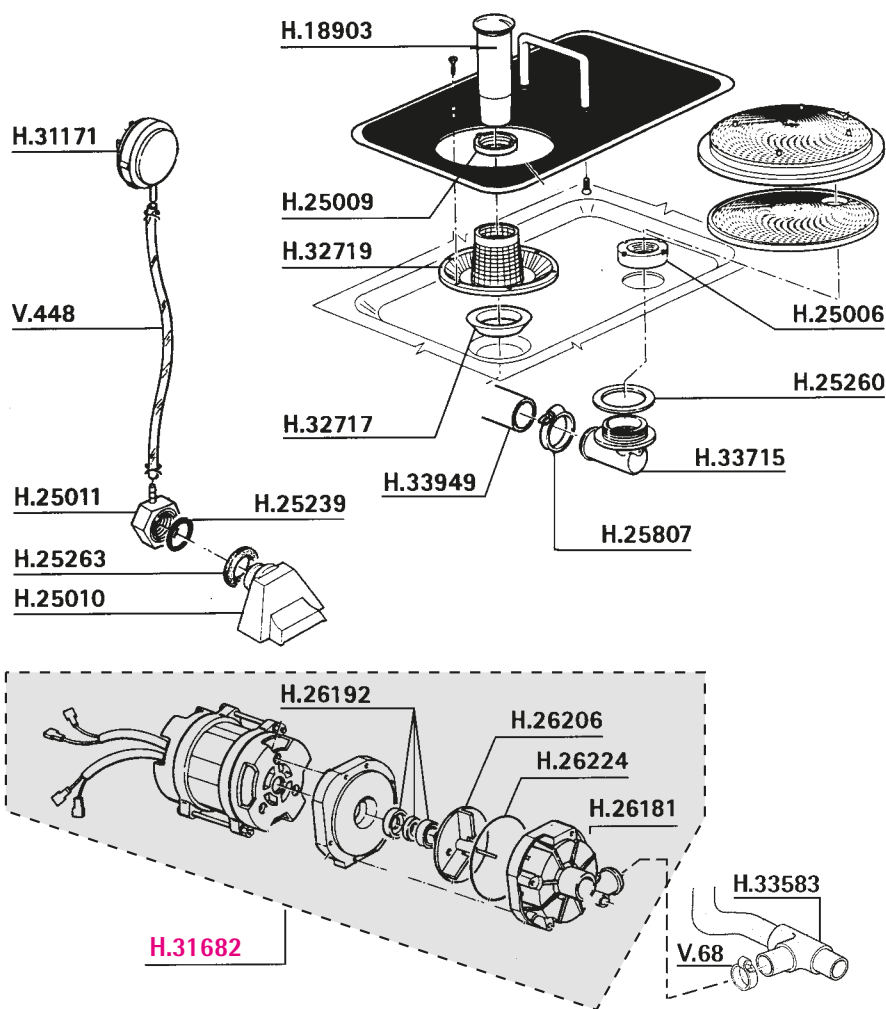
REF.	DESCRIPCIÓN	DESCRIPTION
BF.186	TORICA CALDERA GOMA	RUBBER RING
H25001	BASE FILTRO	FILTER BASE
H25006	TUERCA PLASTICO	PLASTIC NUT
H25008	TUERCA PLASTICO	NUT
H25010	CAMARA PRESOSTATICA	PRESSURE SWITCH CHAMBER
H25011	RACOR PLASTICO	FITTING
H25019	SOPORTE FILTRO	FILTER SUPPORT
H25021	FILTRO CUBA	TANK FILTER
H25032	TAPON	CAP
H25179	TUERCA SUJECCION ASTA	ARM FIXING NUT
H25239	TORICA CIERRE	CLOSING RING
H25263	JUNTA CIERRE GOMA	CLOSING RUBBER GASKET
H25688	TORNILLO INOX	INOX SCREW
H25807	ABRAZADERA 25-40	25-40 CLAMP
H28226	TORICA CIERRE	CLOSING RING
H30421	CODO DESAGÜE	DRAIN ELBOW
H31171	PRESOSTATO SAL/HOR.28/12	28/12 HORIZ.PRESS.SWITCH
H31423	JUNTA GOMA	RUBBER GASKET
H32881	MANGUITO ENVIO	OUTLET SLEEVE
H33181	RETEN BOMBA	MECHANICAL SEAL
H33182	GIRANTE BOMBA	PUMP GYRATORY
H33184	TAPA BOMBA	MOTOR LID
H33700	TUERCA PLASTICO REBOSADERO	OVERFLOW NUT
H33735	SOBRENIVEL 43/48	43/48 OVERFLOW
H33743	MANGUITO ASPIRACION	SUCTION SLEEVE
H34194	MOTOR C-CR 43/48	0,15 HP WASHING PUMP
H35143	MOTOR C-CR 43/48 3 VIAS	C-CR 43/48 3 WAYS MOTOR
MZ.123	TORICA GOMA TESTINA	HEAD RUBBER RING
V..200	TUBO DESAGÜE 17mm 1,8mt	17mm. 1.8mt OUTLET PIPE
V..201	TUBO DESAGÜE 28mm. 1,5mt.	28mm. 1.5mt OUTLET PIPE
V..448	TUBO PRESOSTATO-METRO 4X6	4X6 PRE.SWITCH INLET PIPE



REF.	DESCRIPCIÓN	DESCRIPTION
BF.186	TORICA CALDERA GOMA	RUBBER RING
H21286	SOBRENIVEL	OVERFLOW
H25008	TUERCA PLASTICO	NUT
H25010	CAMARA PRESOSTATICA	PRESSURE SWITCH CHAMBER
H25011	RACOR PLASTICO	FITTING
H25032	TAPON	CAP
H25239	TORICA CIERRE	CLOSING RING
H25260	JUNTA GOMA	RUBBER GASKET
H25263	JUNTA CIERRE GOMA	CLOSING RUBBER GASKET
H25807	ABRAZADERA 25-40	25-40 CLAMP
H26181	TAPA BOMBA	MOTOR LID
H26192	RETEN EJE BOMBA	MECHANICAL SEAL
H26206	TURBINA BOMBA	PUMP TURBINE
H26224	JUNTA TAPA BOMBA GOMA	PUMP COVER RUBBER GASKET
H28226	TORICA CIERRE	CLOSING RING
H30420	FILTRO CUBA	TANK FILTER
H30421	CODO DESAGÜE	DRAIN ELBOW
H30426	MUELLE	SPRING
H31171	PRESOSTATO SAL/HOR.28/12	28/12 HORIZ.PRESS.SWITCH
H31620	FILTRO	FILTER
H31637	TUERCA	NUT
H31682	MOTOR 0.75 CV C-ST5 53/60	0.75 CV C-ST5 53/60 MOTOR
H33583	MANGUITO SALID.STS-C53/60	STS-C53/60 OUTLET SLEEVE
H33715	PIPETA ASPIRACION	SUCTION PIPE
H33949	MANGUITO ASPIRACION	SUCTION SLEEVE
V..68	ABRAZADERA 32-50	35-50 CLAMP
V..200	TUBO DESAGÜE 17mm 1,8mt	17mm. 1.8mt OUTLET PIPE
V..201	TUBO DESAGÜE 28mm. 1,5mt.	28mm. 1.5mt OUTLET PIPE
V..448	TUBO PRESOSTATO-METRO 4X6	4X6 PRE.SWITCH INLET PIPE

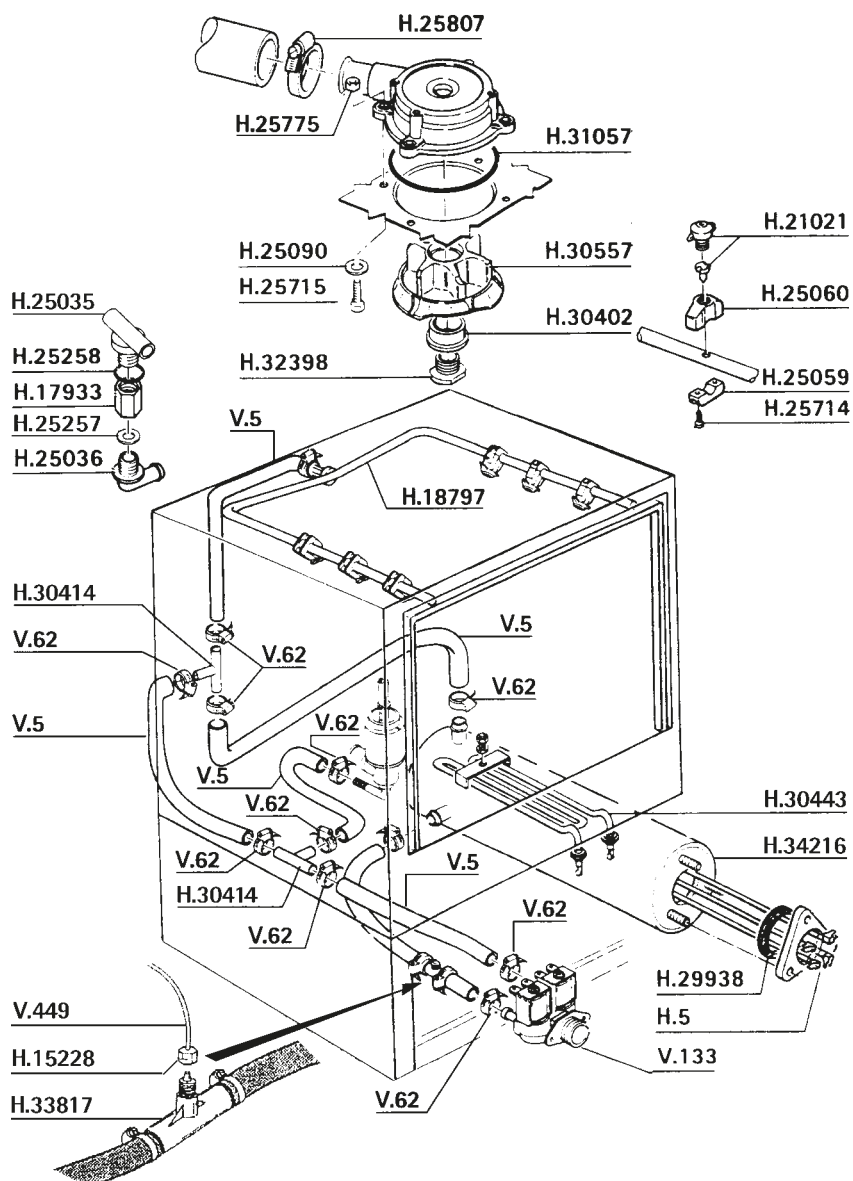


C-60



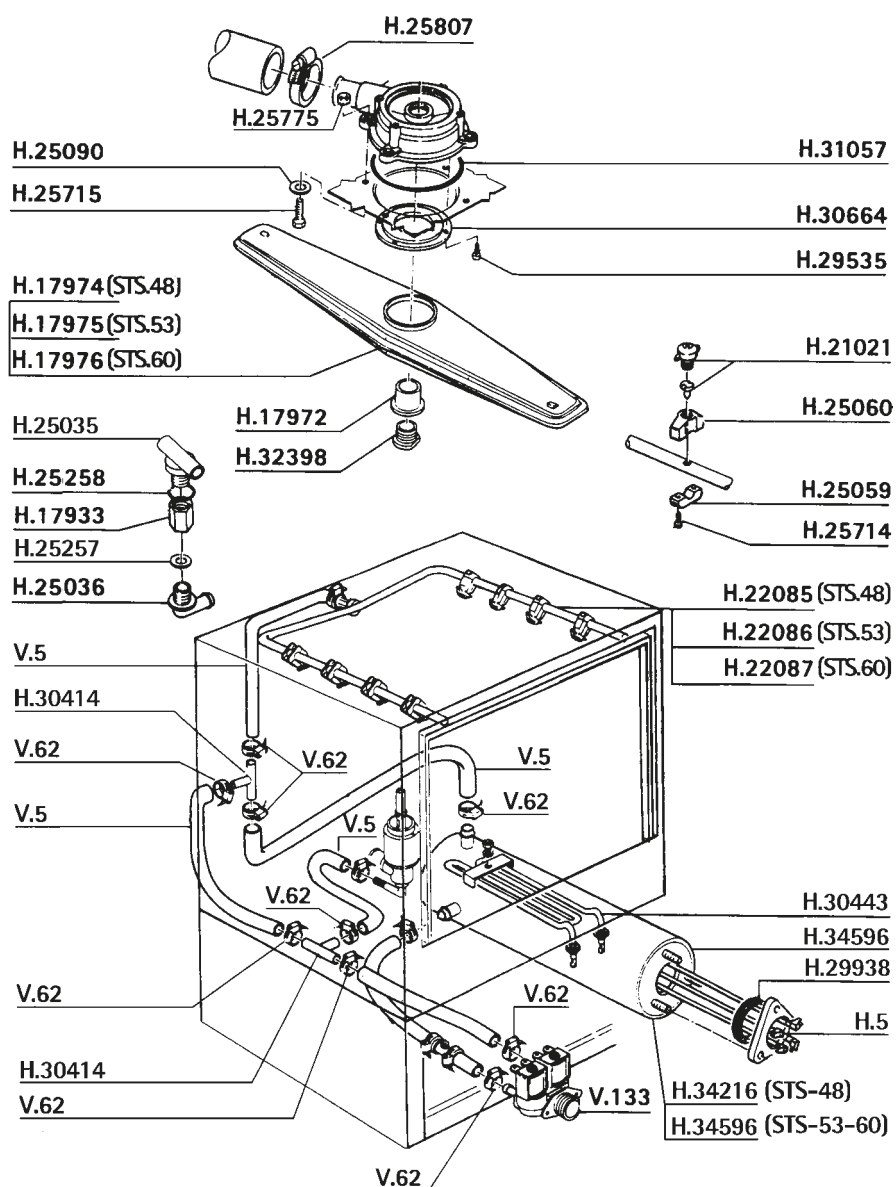
REF.	DESCRIPCIÓN	DESCRIPTION
H18903	SOBRENIVEL C-ST5 60	C-ST5 60 OVERFLOW
H25006	TUERCA PLASTICO	PLASTIC NUT
H25009	TUERCA PLASTICO	PLASTIC NUT
H25010	CAMARA PRESOSTATICA	PRESSURE SWITCH CHAMBER
H25011	RACOR PLASTICO	FITTING
H25239	TORICA CIERRE	CLOSING RING
H25260	JUNTA GOMA	RUBBER GASKET
H25263	JUNTA CIERRE GOMA	CLOSING RUBBER GASKET
H25807	ABRAZADERA 25-40	25-40 CLAMP
H26181	TAPA BOMBA	MOTOR LID
H26192	RETEN EJE BOMBA	MECHANICAL SEAL
H26206	TURBINA BOMBA	PUMP TURBINE
H26224	JUNTA TAPA BOMBA GOMA	PUMP COVER RUBBER GASKET
H31171	PRESOSTATO SAL/HOR.28/12	28/12 HORIZ.PRESS.SWITCH
H31682	MOTOR 0.75 CV C-ST5 53/60	0.75 CV C-ST5 53/60 MOTOR
H32717	ANILLO PIPETA	PIPE RING
H32719	FILTRO PLASTICO	PLASTIC FILTER
H33583	MANGUITO SALID.STS-C53/60	STS-C53/60 OUTLET SLEEVE
H33715	PIPETA ASPIRACION	SUCTION PIPE
H33949	MANGUITO ASPIRACION	SUCTION SLEEVE
V...68	ABRAZADERA 32-50	35-50 CLAMP
V.448	TUBO PRESOSTATO-METRO 4X6	4X6 PRE.SWITCH INLET PIPE

Aclarado / Lavado superior / Calderín STS-43 Antiguo ■ Old STS-43 Boiler / Upper Wash / Rinse 1086

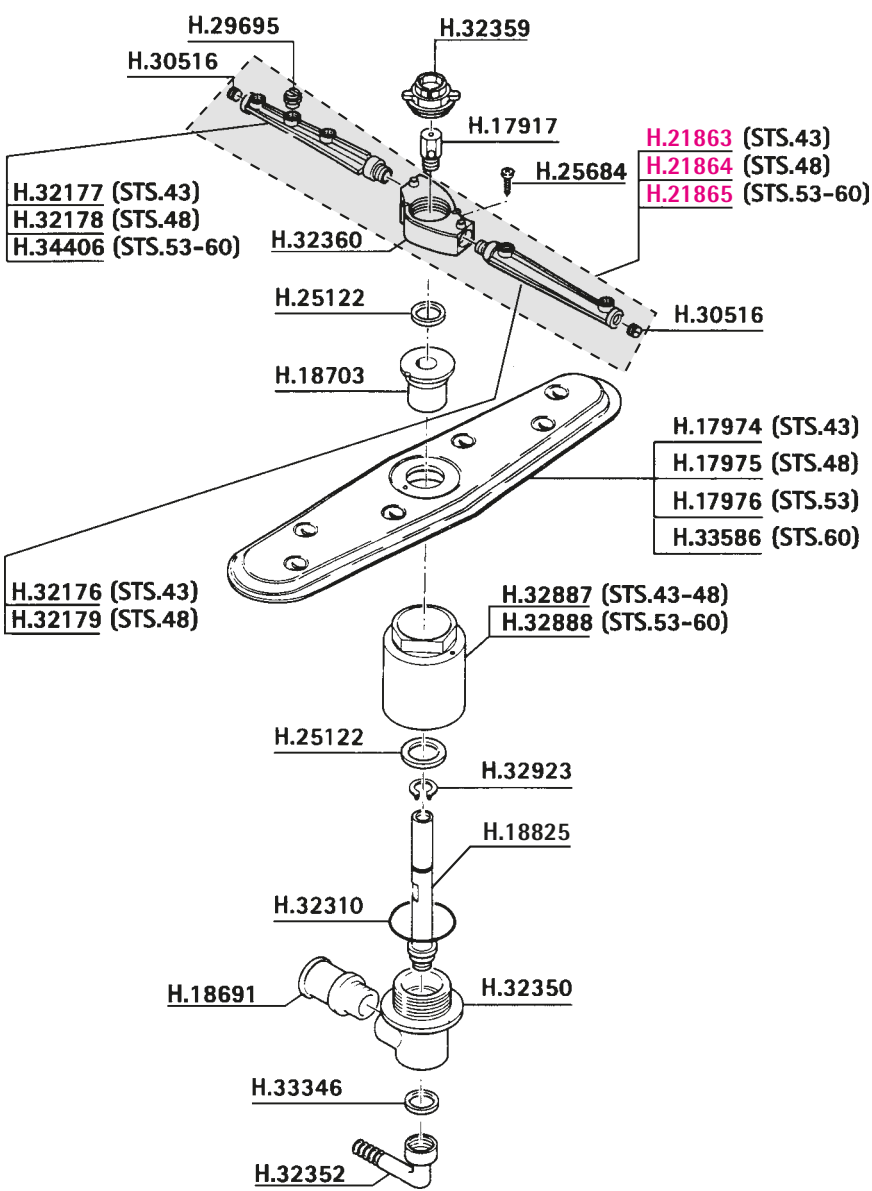


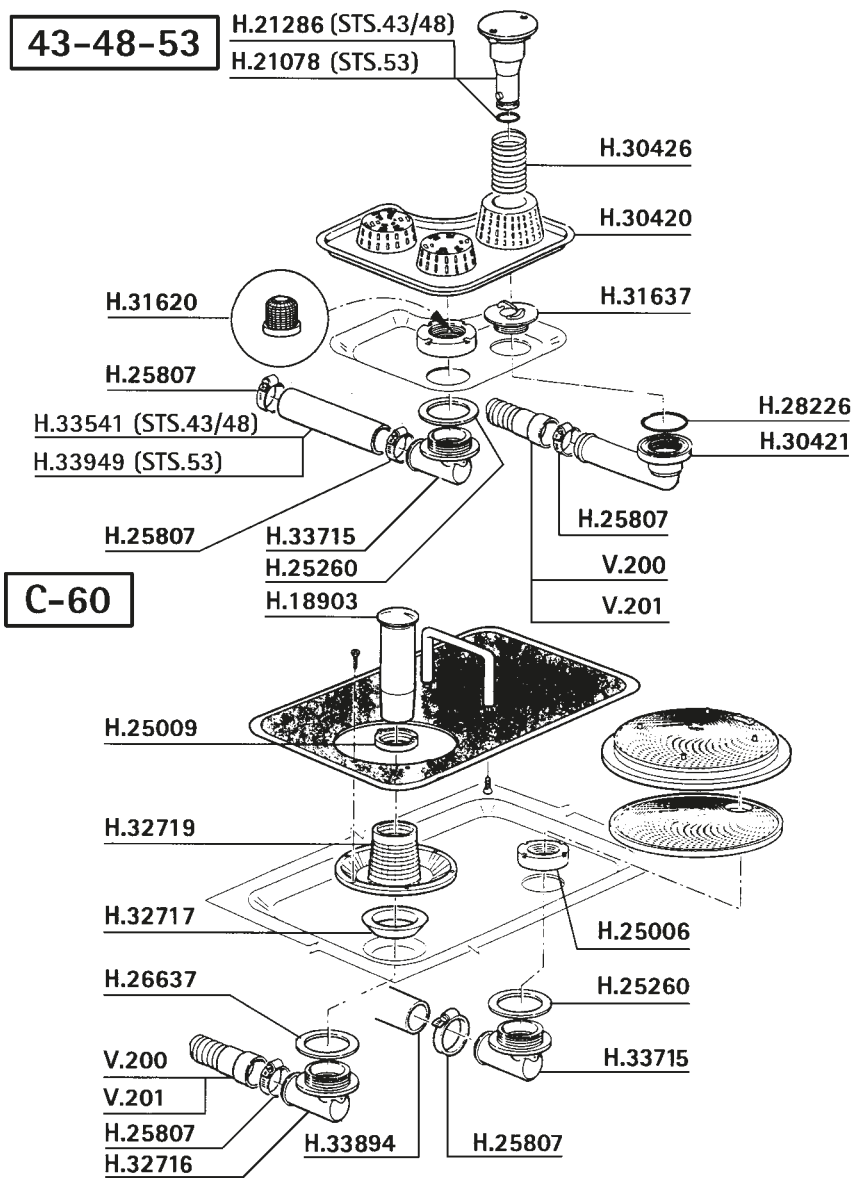
REF.	DESCRIPCIÓN	DESCRIPTION
H....5	RESIST.CALDERIN 2700W 230V	2700W 230V BOILER RESISTANCE
H15228	TUERCA BOMBA ABRILLANTADO	BRIGHTNESS PUMP NUT
H17933	RACOR EMPALME	UNION FITTING
H18797	ASTA ACLARADO	RINSE ARM
H21021	RACOR ACLARADO	RINSE FITTING
H25035	"T"ACLARADO	CLEAR UNION
H25036	RACOR CODO	FITTING
H25059	BRIDA INFERIOR ROCIADOR	LOWER CLASP
H25060	BRIDA SUPERIOR ROCIADOR	UPPER CLASP
H25090	ARANDELA NYLON	NYLON WASHER
H25257	JUNTA PLANA GOMA	FLAT RUBBER GASKET
H25258	JUNTA PLANA GOMA	FLAT RUBBER GASKET
H25714	TORNILLO INOX	INOX SCREW
H25715	TORNILLO INOX M6x15 mm	M6x15 mm INOX SCREW
H25775	TUERCA	NUT
H25807	ABRAZADERA 25-40	25-40 CLAMP
H29938	JUNTA RESIST.TRIANG.GOMA	RESISTANCE RUBBER GASKET
H30402	CASQUILLO	CAP
H30414	RACOR EMPALME	UNION FITTING
H30443	RESISTENCIA CUBA 600W 230V	600W 230V TANK RESISTANCE
H30557	TURBINA LAVADO	WASHING TURBINE
H31057	TORICA CIERRE TURBINA	CLOSING RING
H32398	TAPON ASTA MACHO	ARM CAP
H33817	T CALDERIN	BOILER T
H34216	CALDERIN STS-43/48	STS-42/48 BOILER
V....5	TUBO GOMA 10X16 20 ATM	20ATM 10X17 RUBBER PIPE
V...62	ABRAZADERA 12-20	12-20 CLAMP
V.133	ELECTROVAL.2 VIA LAV.220V	WASH 2 WAYS 220V SOLENOID
V.449	TUBO NYLON 4X6mm (1MT)	(1M) 4X6mm NYLON PIPE

REF.	DESCRIPCIÓN	DESCRIPTION
H....5	RESIST.CALDERIN 2700W 230V	2700W 230V BOILER RESISTANCE
H17933	RACOR EMPALME	UNION FITTING
H17972	CASQUILLO	CAP
H17974	ASTA LAVADO	WASHING ARM
H17975	ASTA LAVADO	WASHING ARM
H17976	ASTA LAVADO	WASHING ARM
H21021	RACOR ACLARADO	RINSE FITTING
H22085	ASTA ACLARADO C-4 STS-48	C-4 STS-48 RINSE ARM
H22086	ASTA ACLARADO C-ST5 53	C-ST5 53 RINSE ARM
H22087	ASTA ACLARADO C-ST5 60	C-ST5 60 RINSE ARM
H25035	"T"ACLARADO	CLEAR UNION
H25036	RACOR CODO	FITTING
H25059	BRIDA INFERIOR ROCIADOR	LOWER CLASP
H25060	BRIDA SUPERIOR ROCIADOR	UPPER CLASP
H25090	ARANDELA NYLON	NYLON WASHER
H25257	JUNTA PLANA GOMA	FLAT RUBBER GASKET
H25258	JUNTA PLANA GOMA	FLAT RUBBER GASKET
H25714	TORNILLO INOX	INOX SCREW
H25715	TORNILLO INOX M6x15 mm	M6x15 mm INOX SCREW
H25775	TUERCA	NUT
H25807	ABRAZADERA 25-40	25-40 CLAMP
H29535	TORNILLO INOX	INOX SCREW
H29938	JUNTA RESIST.TRIANG.GOMA	RESISTANCE RUBBER GASKET
H30414	RACOR EMPALME	UNION FITTING
H30443	RESISTENCIA CUBA 600W 230V	600W 230V TANK RESISTANCE
H30664	TAPA INFERIOR TURBO	TURBO LOWER LID
H31057	TORICA CIERRE TURBINA	CLOSING RING
H32398	TAPON ASTA MACHO	ARM CAP
H34216	CALDERIN STS-43/48	STS-42/48 BOILER
H34596	CALDERIN C-53/C60	C-53/C-60 BOILER
V....5	TUBO GOMA 10X16 20 ATM	20ATM 10X17 RUBBER PIPE
V...62	ABRAZADERA 12-20	12-20 CLAMP
V..133	ELECTROVAL.2 VIA LAV.220V	WASH 2 WAYS 220V SOLENOID



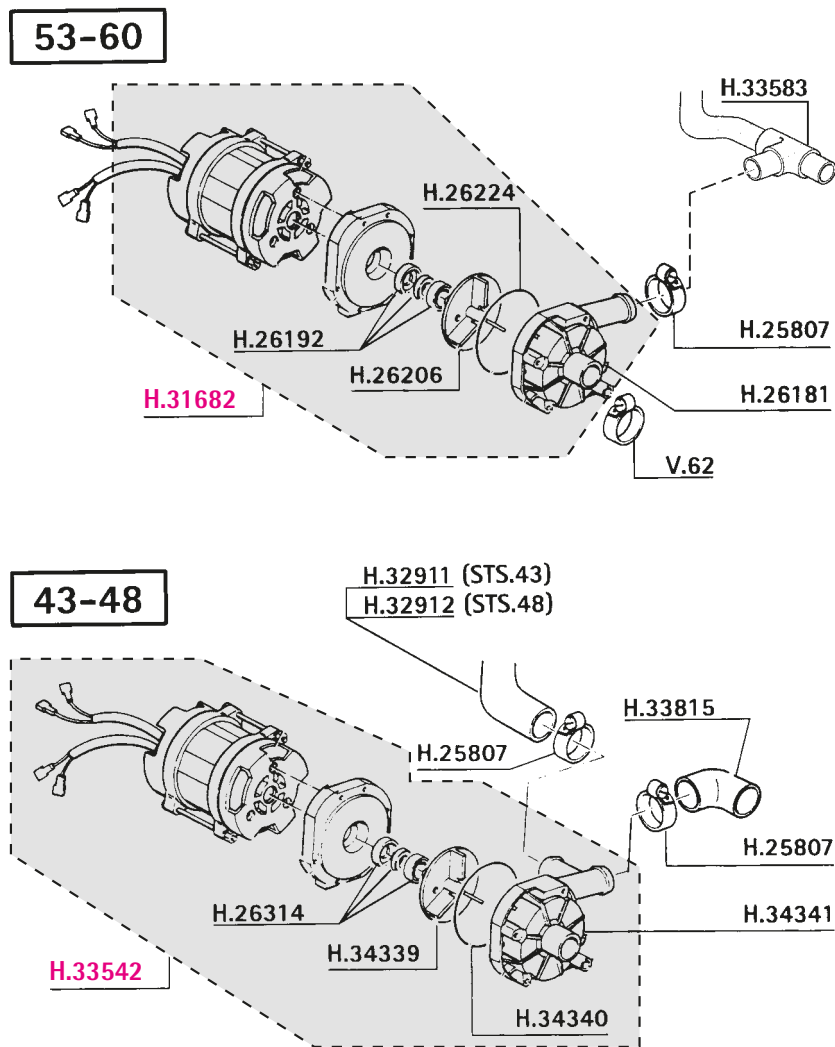
REF.	DESCRIPCIÓN	DESCRIPTION
H17917	TUERCA	NUT
H17974	ASTA LAVADO	WASHING ARM
H17975	ASTA LAVADO	WASHING ARM
H17976	ASTA LAVADO	WASHING ARM
H18691	PORTAGOMAS	GASKETHOLDER
H18703	SOPORTE ASTAS	ARMS SUPPORT
H18825	EJE C-53/60	C-53/60 ROD
H21863	ASTA ACLARADO C-3 STS-43	C-3 STS-43 RINSE ARM
H21864	ASTA ACLARADO C-4 STS-48	C-4 STS-48 RINSE ARM
H21865	ASTA ACLARADO STS 53-60	STS 53-60 RINSE ARM
H25122	ARANDELA ASTA LAVADO	WASH TREE WASHER
H25684	TORNILLO	SCREW
H29695	ROCIADOR ACLARADO	RINSE SPRAY
H30516	TAPON BRAZO ACLARADO	CLEAR ARM CAP
H32176	BRAZO DERECHO	RIGHT ARM
H32177	BRAZO IZQUIERDO	LEFT ARM
H32178	BRAZO IZQUIERDO	LEFT ARM
H32179	BRAZO DERECHO	RIGHT ARM
H32310	TORICA GOMA NBR	RING
H32350	GRUPO CENTRAL	CENTRAL GROUP
H32352	CODO LATON	BRASS ELBOW
H32359	TAPON ASTA	ARM CAP
H32360	CUERPO ASTA ACLARADO	WASHING ARM BODY
H32887	SOPORTE ASPAS	UPPER REEL SUPPORT
H32888	SOPORTE ASPA	REEL SUPPORT
H32923	SEEGER	SEEGER
H33346	DISCO GRUPO CENTRAL	CENTRAL GROUP DISK
H33586	ASTA LAVADO	WASHING ARM
H34406	BRAZO IZQUIERDO	LEFT ARM





REF.	DESCRIPCIÓN	DESCRIPTION
H18903	SOBRENIVEL C-ST5 60	C-ST5 60 OVERFLOW
H21078	SOBRENIVEL	OVERFLOW
H21286	SOBRENIVEL	OVERFLOW
H25006	TUERCA PLASTICO	PLASTIC NUT
H25009	TUERCA PLASTICO	PLASTIC NUT
H25260	JUNTA GOMA	RUBBER GASKET
H25807	ABRAZADERA 25-40	25-40 CLAMP
H26637	JUNTA PILETA GOMA	RUBBER GASKET
H28226	TORICA CIERRE	CLOSING RING
H30420	FILTRO CUBA	TANK FILTER
H30421	CODO DESAGÜE	DRAIN ELBOW
H30426	MUELLE	SPRING
H31620	FILTRO	FILTER
H31637	TUERCA	NUT
H32716	PIPETA DESCARGA	OUTLET PIPE
H32717	ANILLO PIPETA	PIPE RING
H32719	FILTRO PLASTICO	PLASTIC FILTER
H33541	MANGUITO ASPIRACION	SUCTION SLEEVE
H33715	PIPETA ASPIRACION	SUCTION PIPE
H33894	MANGUITO ASPIRACION	SUCTION SLEEVE
H33949	MANGUITO ASPIRACION	SUCTION SLEEVE
V..200	TUBO DESAGÜE 17mm 1,8mt	17mm. 1.8mt OUTLET PIPE
V..201	TUBO DESAGÜE 28mm. 1,5mt.	28mm. 1.5mt OUTLET PIPE

Motores STS 43-48-53-60 ■ STS 43-48-53-60 Motors 1090

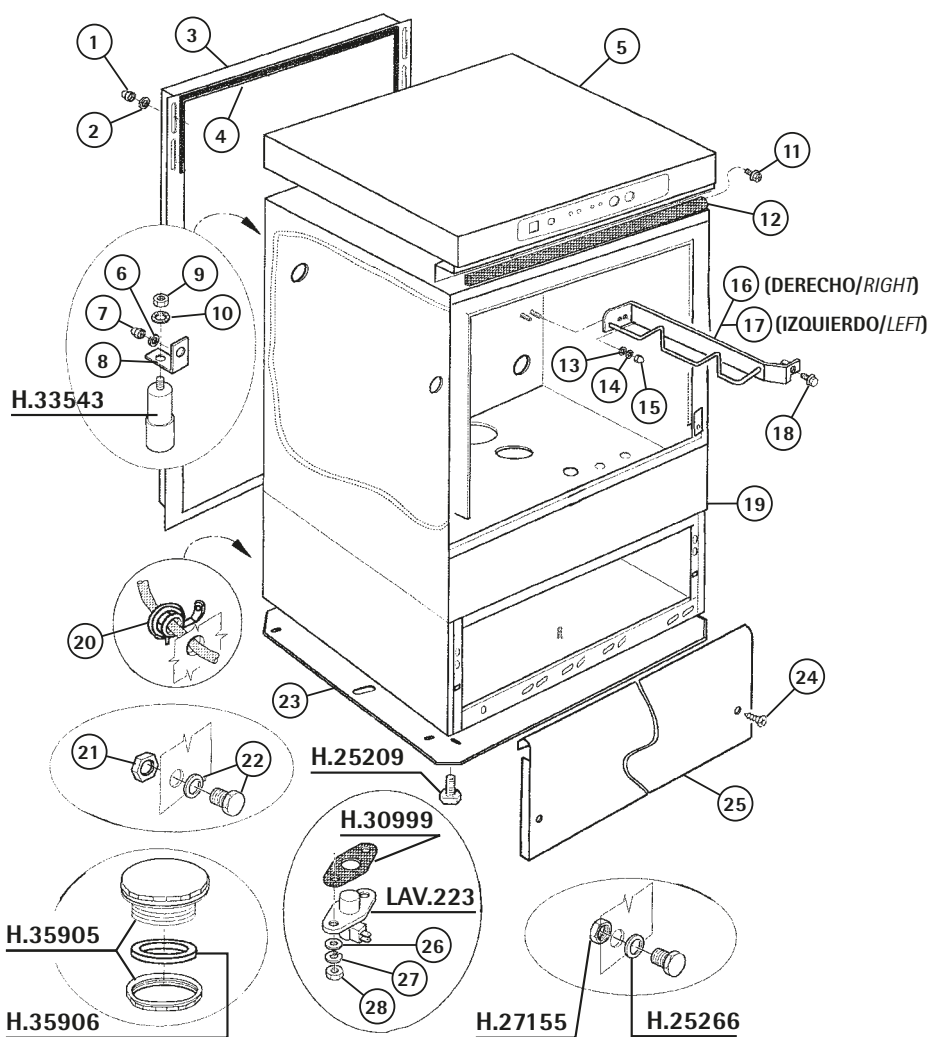


REF.	DESCRIPCIÓN	DESCRIPTION
H25807	ABRAZADERA 25-40	25-40 CLAMP
H26181	TAPA BOMBA	MOTOR LID
H26192	RETEN EJE BOMBA	MECHANICAL SEAL
H26206	TURBINA BOMBA	PUMP TURBINE
H26224	JUNTA TAPA BOMBA GOMA	PUMP COVER RUBBER GASKET
H26314	RETEN EJE BOMBA	MECHANICAL SEAL
H31682	MOTOR 0.75 CV C-ST5 53/60	0.75 CV C-ST5 53/60 MOTOR
H32911	MANGUITO SUP.STS.43	STS.43 UPPER SLEEVE
H32912	MANGUITO SUP.STS 48	STS.48 UPPER SLEEVE
H33542	MOTOR 0,33 STS-43/48	0.33 STS-43/48 MOTOR
H33583	MANGUITO SALID.STS-C53/60	STS-C53/60 OUTLET SLEEVE
H33815	MANGUITO INF. STS 43-48	STS.43-48 LOWER SLEEVE
H34339	GIRANTE BOMBA	PUMP GYRATORY
H34340	TORICA TAPA MOTOR GOMA	MOTOR LID RUBBER RING
H34341	TAPA MOTOR	MOTOR LID
V...62	ABRAZADERA 12-20	12-20 CLAMP

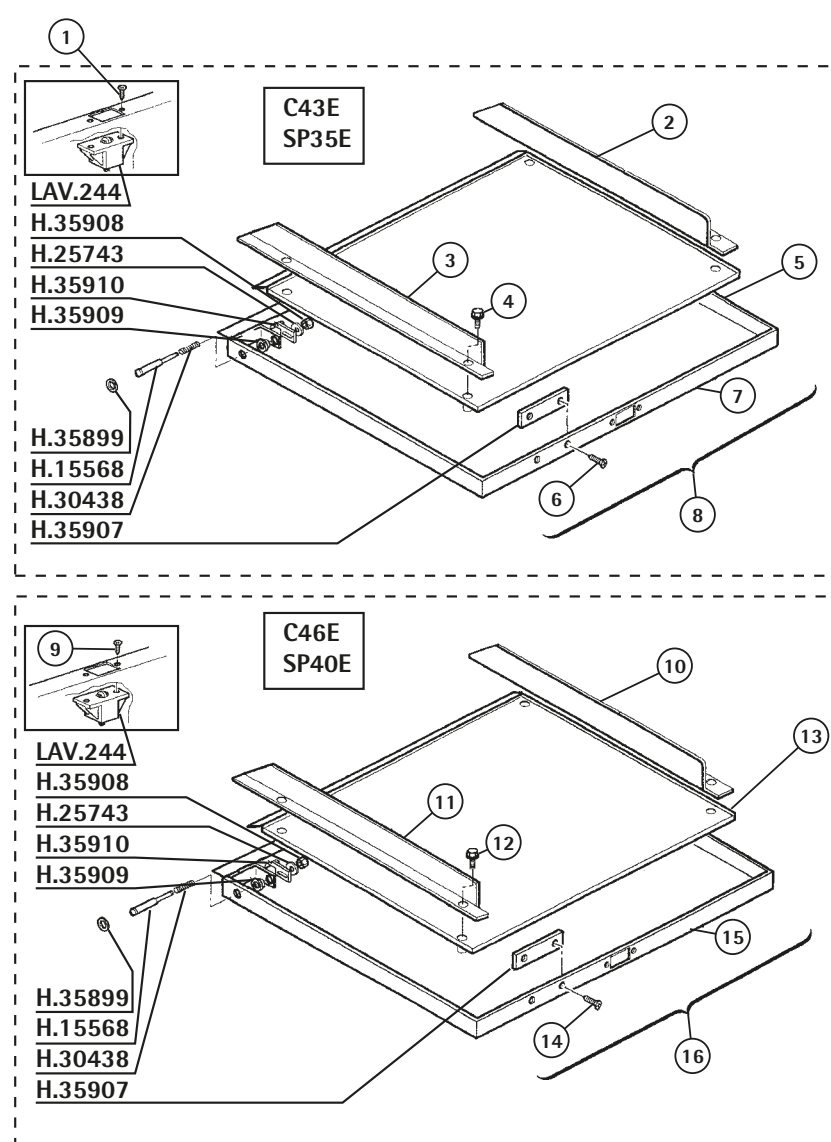


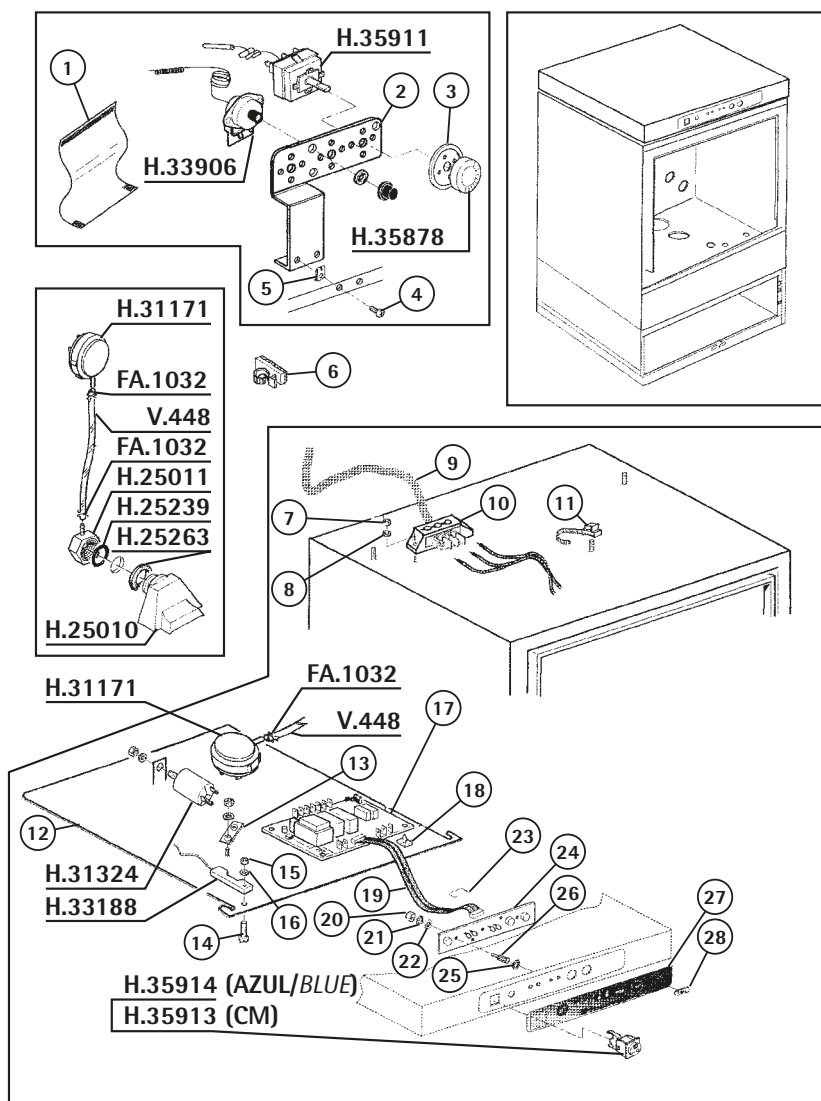
Save time and money..
Order ASCASO your spare parts.

REF.	DESCRIPCIÓN	DESCRIPTION
H25209	PIE MAQUINA	MACHINE FOOT
H25266	JUNTA PLANA GOMA	FLAT RUBBER GASKET
H27155	TUERCA	NUT
H30999	JUNTA GOMA	RUBBER GASKET
H33543	CODENSADOR	CONDENSER
H35905	TAPON	COVER
H35906	JUNTA	GASKET
LAV223	TERMOSTATO CUBA B11/12	B-11/12 TANK THERMOSTAT



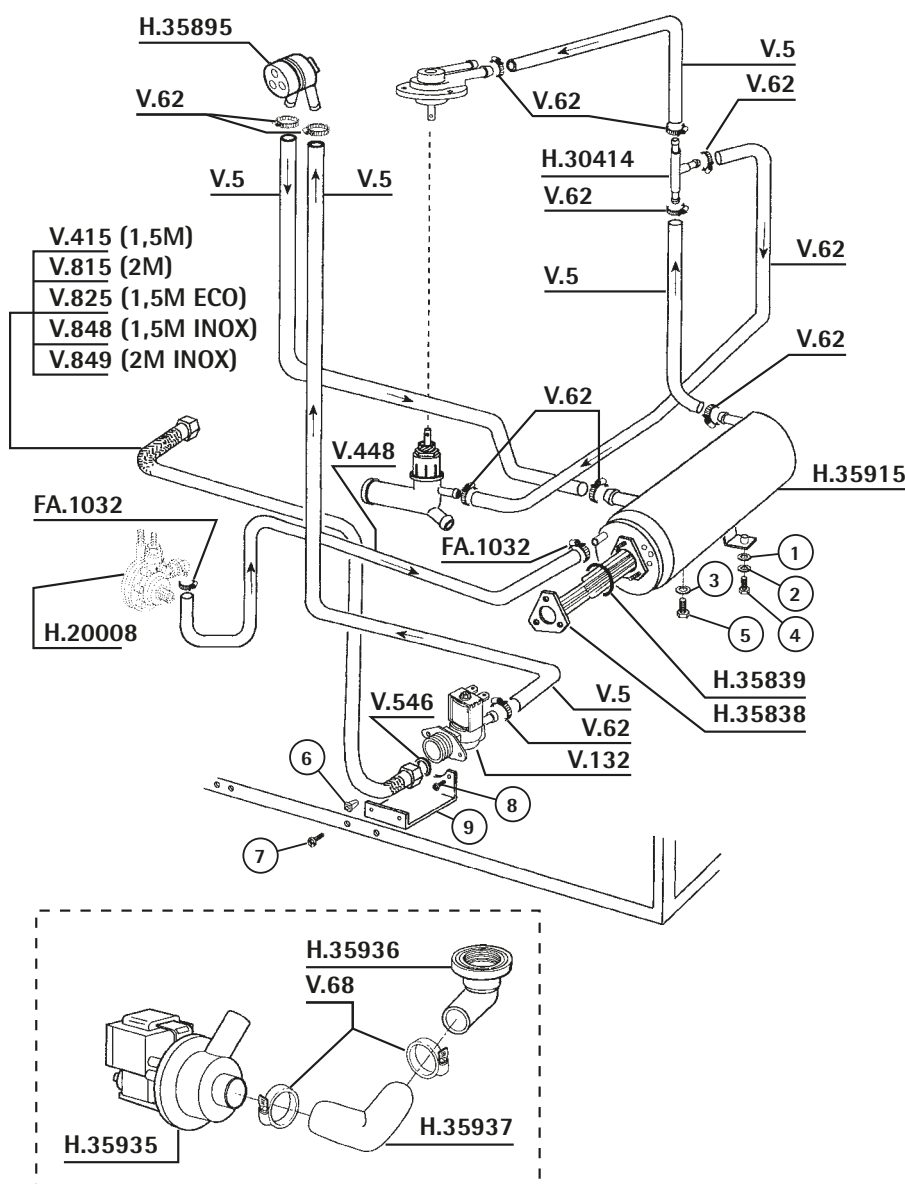
REF.	DESCRIPCIÓN	DESCRIPTION
H15568	PERNO	PIN
H25743	ARANDELA	WASHER
H30438	MUELLE CIERRE PUERTA	CLOSING SPRING
H35899	ARANDELA	WASHER
H35907	IMAN	AIMANT
H35908	TUERCA	NUT
H35909	ARANDELA	WASHER
H35910	CHAPA	PLATE
LAV244	CIERRE PUERTA	CLOSING DOOR





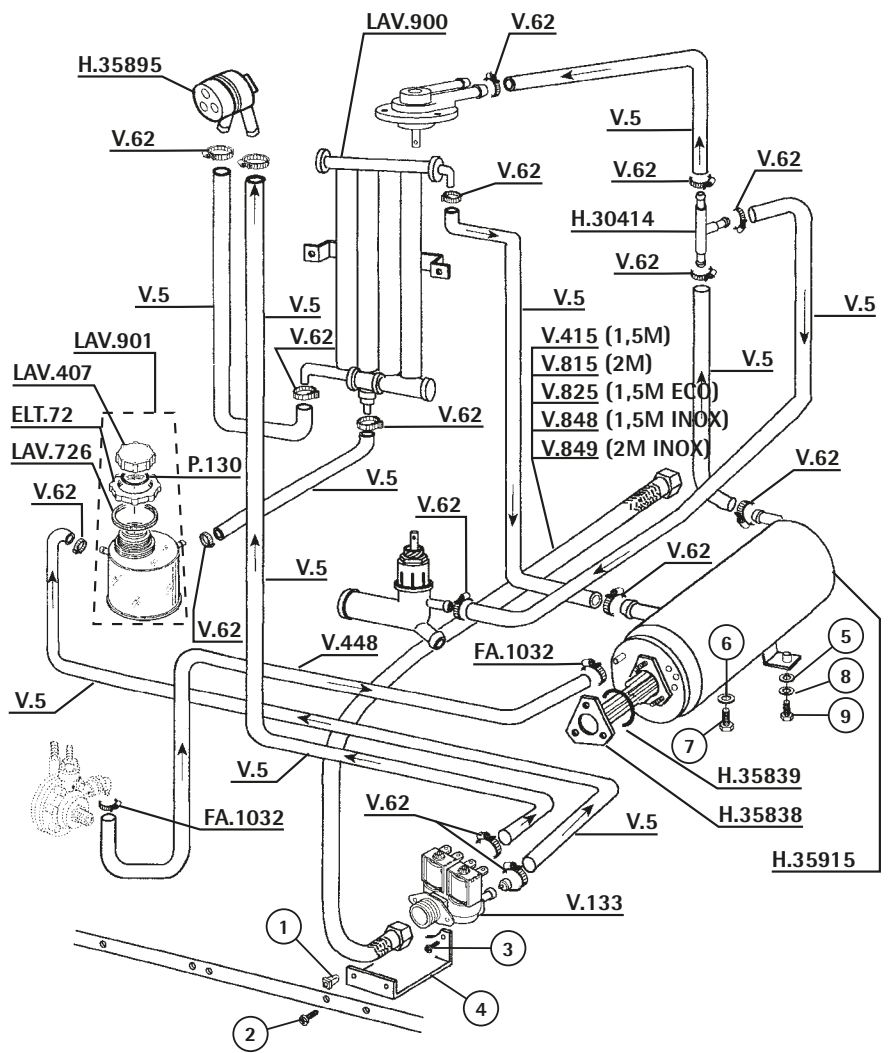
REF.	DESCRIPCIÓN	DESCRIPTION
FA1032	BRIDA	CLASP
H25010	CAMARA PRESOSTATICA	PRESSURE SWITCH CHAMBER
H25011	RACOR PLASTICO	FITTING
H25239	TORICA CIERRE	CLOSING RING
H25263	JUNTA CIERRE GOMA	CLOSING RUBBER GASKET
H31171	PRESOSTATO SAL/HOR.28/12	28/12 HORIZ.PRESS.SWITCH
H31324	FILTRO ANTIPARASITO	FILTER
H33188	MICRO	MICRO
H33906	TERMOSTATO BIPOLAR 105°	105° THERMOSTAT
H35878	MANDO	KNOB
H35911	TERMOSTATO 2 TEMPERATURAS	THERMOSTAT
H35913	INTERRUPTOR CM	CM SWITCH
H35914	INTERRUPTOR CM AZUL	BLUE CM SWITCH
V.448	TUBO PRESOSTATO-METRO 4X6	4X6 PRE.SWITCH INLET PIPE

Calderín / Resistencia C43E - C46E - SP35E - SP40E ■ C43E - C46E - SP35E - SP40E Resistance / Boiler 1094

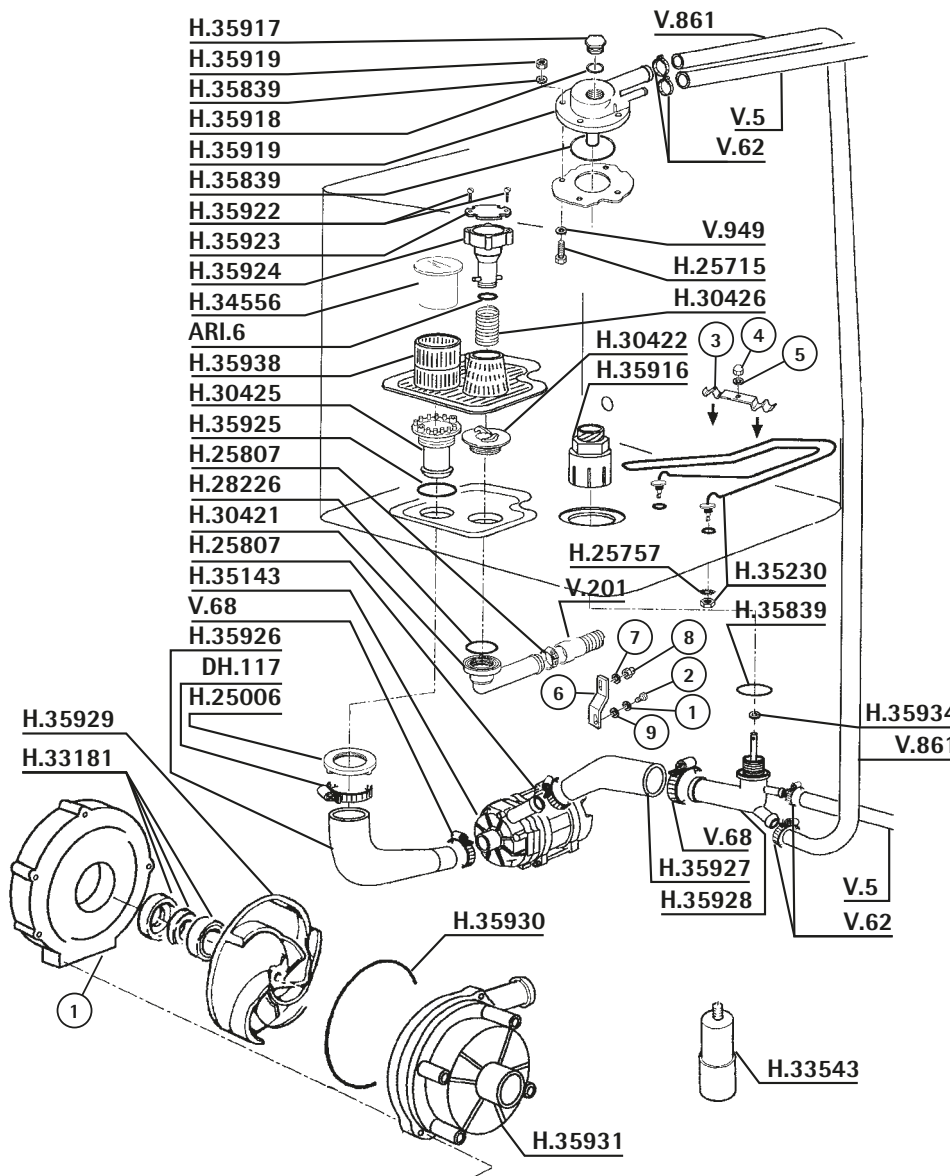


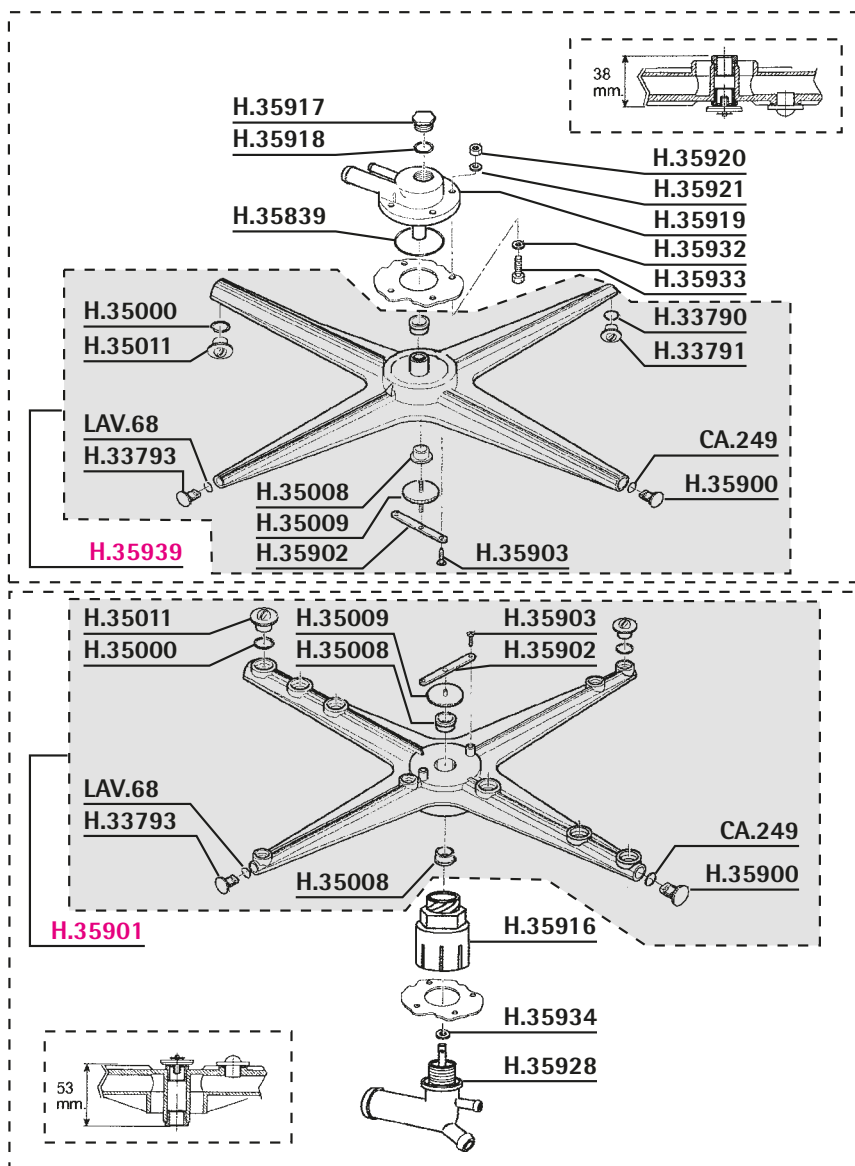
REF.	DESCRIPCIÓN	DESCRIPTION
FA1032	BRIDA	CLASP
H20008	DOSIFICADOR ABRILLANTADOR	RINSE AID DOSIMETER
H30414	RACOR EMPALME	UNION FITTING
H35838	RESISTENCIA CALD.C-48 +2001	C-48 +2001 RESISTANCE
H35839	JUNTA RESIS.C-48 +2001	C-48 +2001 GASKET
H35895	RACOR 2 VIAS	2 WAYS FITTING
H35915	CALDERIN C43/C46	C43/C46 BOILER
H35935	BOMBA DESAGÜE	OUTLET PUMP
H35936	RACOR DESAGÜE	OUTLET FITTING
H35937	CODO	ELBOW
V...5	TUBO GOMA 10X16 20 ATM	20ATM 10X17 RUBBER PIPE
V...62	ABRAZADERA 12-20	12-20 CLAMP
V...68	ABRAZADERA 32-52	32-52 CLAMP
V.132	ELECTROVAL.1 VIA LAV.220V	WASH 1 WAY 220V SOLENOID
V.415	TOMA LAVADORA 1,5M	QUALITY 1.5M.INLET W.FLEX
V.448	TUBO PRESOSTATO-METRO 4X6	4X6 PRE.SWITCH INLET PIPE
V.546	JUNTA GOMA 3/4	WATER INLET RUBBER GASKET
V.815	TOMA LAVADORA 2 METROS	2 MT.INLET WATER FLEXIBLE
V.825	TOMA LAVADORA 1.5 "ECO"	"ECO"1.5M INLET WA.FLEXIB
V.848	TOMA LAVADORA 1.5M INOX	INOX 1.5M INLET WATER FL.
V.849	TOMA LAV.INOX 2MT.3/4X3/4	INOX 2MT.INLET WATER FLE.

REF.	DESCRIPCIÓN	DESCRIPTION
ELT.72	RACOR DEPOSITO SAL	FITTING SALT CONTAINER
FA1032	BRIDA	CLASP
H35838	RESISTENCIA CALD.C-48 +2001	C-48 +2001 RESISTANCE
H35839	JUNTA RESIS.C-48 +2001	C-48 +2001 GASKET
H35895	RACOR 2 VIAS	2 WAYS FITTING
H35915	CALDERIN C43/C46	C43/C46 BOILER
LAV407	TAPON DEPOSITO SAL	SALT TANK CAP
LAV726	JUNTA GOMA BOTELLA SAL	BOTTLE SALT RUBBER GASKET
LAV900	DEPURADOR LAVATAZAS	WASHING CUP PURIFIER
LAV901	DEPOSITO SAL COMPLETO	SALT CONTAINER
P.130	TORICA EPDM	RING
V...5	TUBO GOMA 10X16 20 ATM	20ATM 10X17 RUBBER PIPE
V...62	ABRAZADERA 12-20	12-20 CLAMP
V.133	ELECTROVAL.2 VIA LAV.220V	WASH 2 WAYS 220V SOLENOID
V.415	TOMA LAVADORA 1,5M	QUALITY 1.5M.INLET W.FLEX
V.448	TUBO PRESOSTATO-METRO 4X6	4X6 PRE.SWITCH INLET PIPE
V.815	TOMA LAVADORA 2 METROS	2 MT.INLET WATER FLEXIBLE
V.825	TOMA LAVADORA 1.5 "ECO"	"ECO"1.5M INLET WA.FLEXIB
V.848	TOMA LAVADORA 1.5M INOX	INOX 1.5M INLET WATER FL.
V.849	TOMA LAV.INOX 2MT.3/4X3/4	INOX 2MT.INLET WATER FLE.



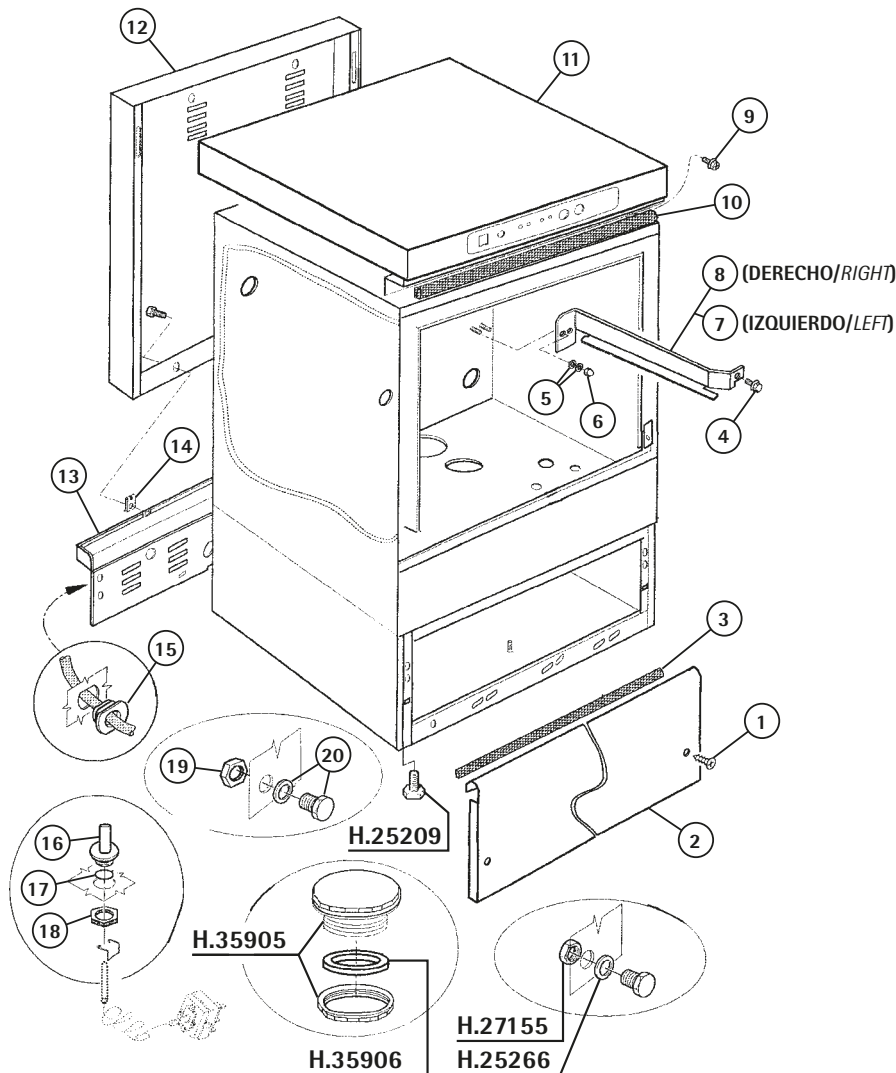
REF.	DESCRIPCIÓN	DESCRIPTION
ARI.6	TORICA GOMA	RUBBER RING
DH.117	ABRAZADERA 46-70	46-70 CLAMP
H25006	TUERCA PLASTICO	PLASTIC NUT
H25715	TORNILLO INOX M6x15 mm	M6x15 mm INOX SCREW
H25757	ARANDELA	WASHER
H25807	ABRAZADERA 25-40	25-40 CLAMP
H28226	TORICA CIERRE	CLOSING RING
H30421	CODO DESAGÜE	DRAIN ELBOW
H30422	SOPORTE FILTRO	FILTER SUPPORT
H30425	PILETA DESAGÜE	DRAIN TRAY
H30426	MUELLE	SPRING
H33181	RETEN BOMBA	MECHANICAL SEAL
H33543	CODENSADOR	CONDENSER
H34556	FILTRO SERIE C MODERNO	SERIE C FILTER
H35143	MOTOR C-CR 43/48 3 VIAS	C-CR 43/48 3 WAYS MOTOR
H35230	RESISTENCIA CUBA 2000W 230V	2000 W 230V TANK RESISTANCE
H35839	JUNTA RESIS.C-48 +2001	C-48 +2001 GASKET
H35916	SOPORTE GIRATORIO	GIRATORY SUPPORT
H35917	TORNILLO	SCREW
H35918	JUNTA	GASKET
H35919	COLECTOR SUPERIOR	UPPER COLLECTOR
H35922	TORNILLO	SCREW
H35923	TAPA SOBRENIVEL	OVERFLOW LID
H35924	SOBRENIVEL	OVERFLOW
H35925	JUNTA	GASKET
H35926	MANGUITO	SLEEVE
H35927	MANGUITO	SLEEVE
H35928	DISTRIBUIDOR INFERIOR	LOWER DISTRIBUTOR
H35929	TURBINA H35143	H35143 TURBINE
H35930	TORICA BOMBA	PUMP GASKET
H35931	TAPA BOMBA	PUMP LID
H35934	JUNTA	GASKET
H35938	FILTRO	FILTER
V...5	TUBO GOMA 10X16 20 ATM	20ATM 10X17 RUBBER PIPE
V...62	ABRAZADERA 12-20	12-20 CLAMP
V...68	ABRAZADERA 32-50	35-50 CLAMP
V.201	TUBO DESAGÜE 28mm. 1,5mt.	28mm. 1.5mt OUTLET PIPE
V.861	TUBO GOMA 12X22mm 20ATM	20ATM 12X22mm RUBBER PIPE
V.949	ARANDELA INOX M6	M6 INOX WASHER





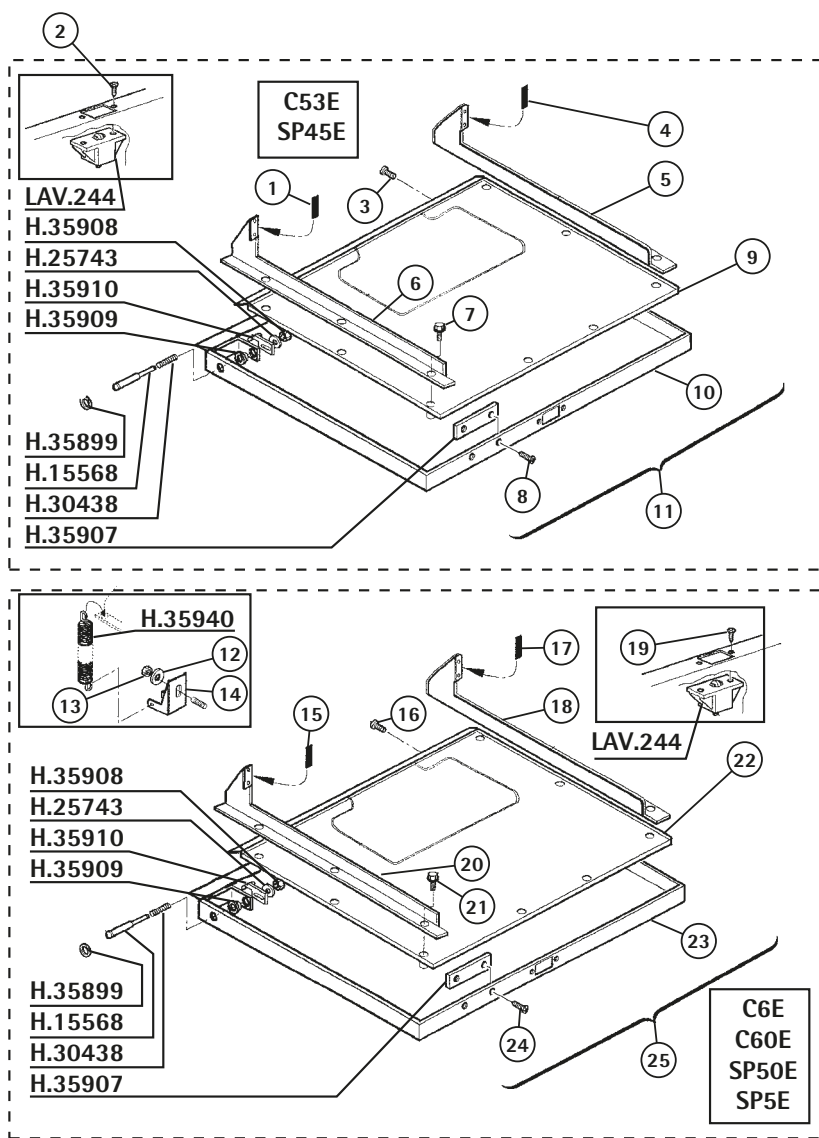
REF.	DESCRIPCIÓN	DESCRIPTION
CA.249	TORICA VALVULA	VALVE RING
H33790	TORICA GOMA	RING
H33791	RACOR ACLARADO	CLEAR FITTING
H33793	TAPON BRAZO ACLARADO	CLEAR ARM CAP
H35000	TORICA	RING
H35008	CASQUILLO	CAP
H35009	TORNILLO FIJACION	FIXATION SCREW
H35011	ROCIADOR AGUA	WATER SPRAY
H35839	JUNTA RESIS.C-48 +2001	C-48 +2001 GASKET
H35900	TAPON GIRATORIO	GIRATORY COVER
H35901	GIRATORIO COMPLETO 09/01	09/01 COMPLET GIRATORY
H35902	PLACA GIRATORIO	GIRATORY PLATE
H35903	TORNILLO GIRATORIO	GIRATORY SCREW
H35916	SOPORTE GIRATORIO	GIRATORY SUPPORT
H35917	TORNILLO	SCREW
H35918	JUNTA	GASKET
H35919	COLECTOR SUPERIOR	UPPER COLLECTOR
H35920	TUERCA	NUT
H35921	ARANDELA	WASHER
H35928	DISTRIBUIDOR INFERIOR	LOWER DISTRIBUTOR
H35932	ARANDELA	WASHER
H35933	ARANDELA	WASHER
H35934	JUNTA	GASKET
H35939	GIRATORIO COMPLETO C43E/C46E	C43E/C46E COMPLET GIRATORY
LAV.68	TORICA GOMA EPDM	RUBBER RING

Carrocería C6E - C53E -C60E - SP5E - SP45E - SP50E ■ C6E - C53E -C60E - SP5E - SP45E - SP50E Bodywork

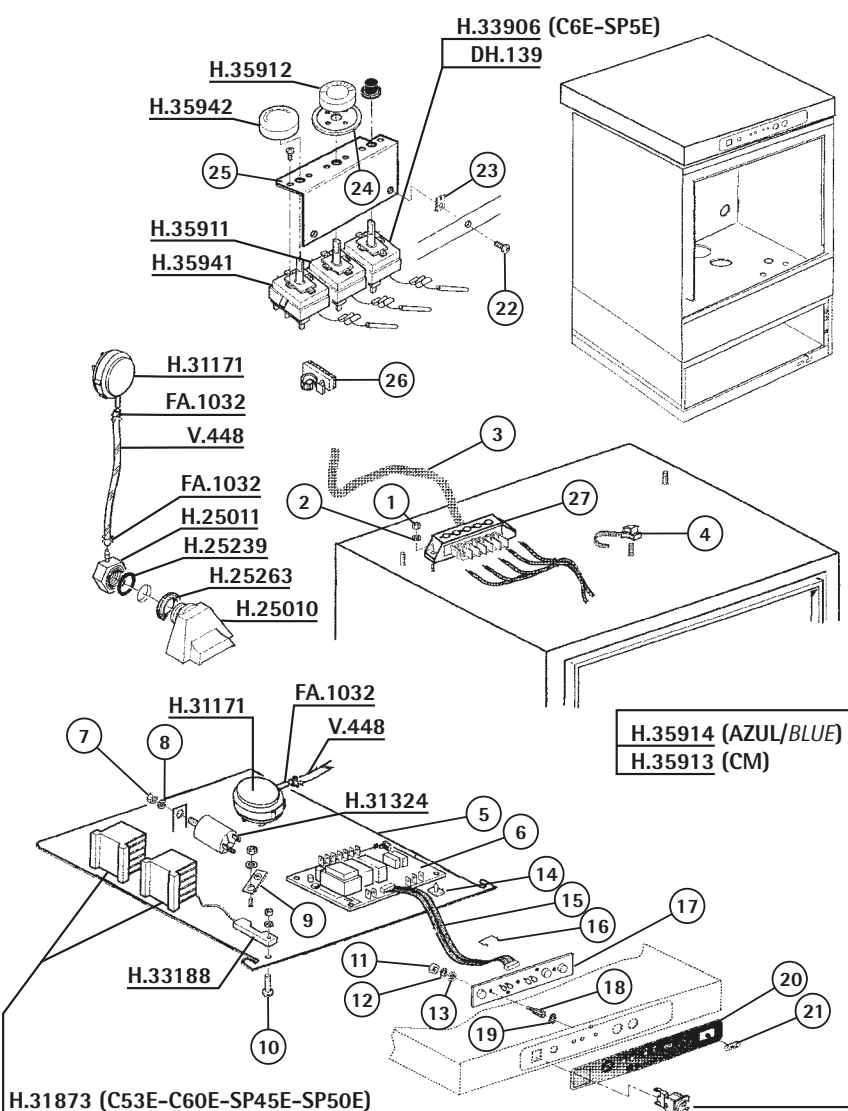


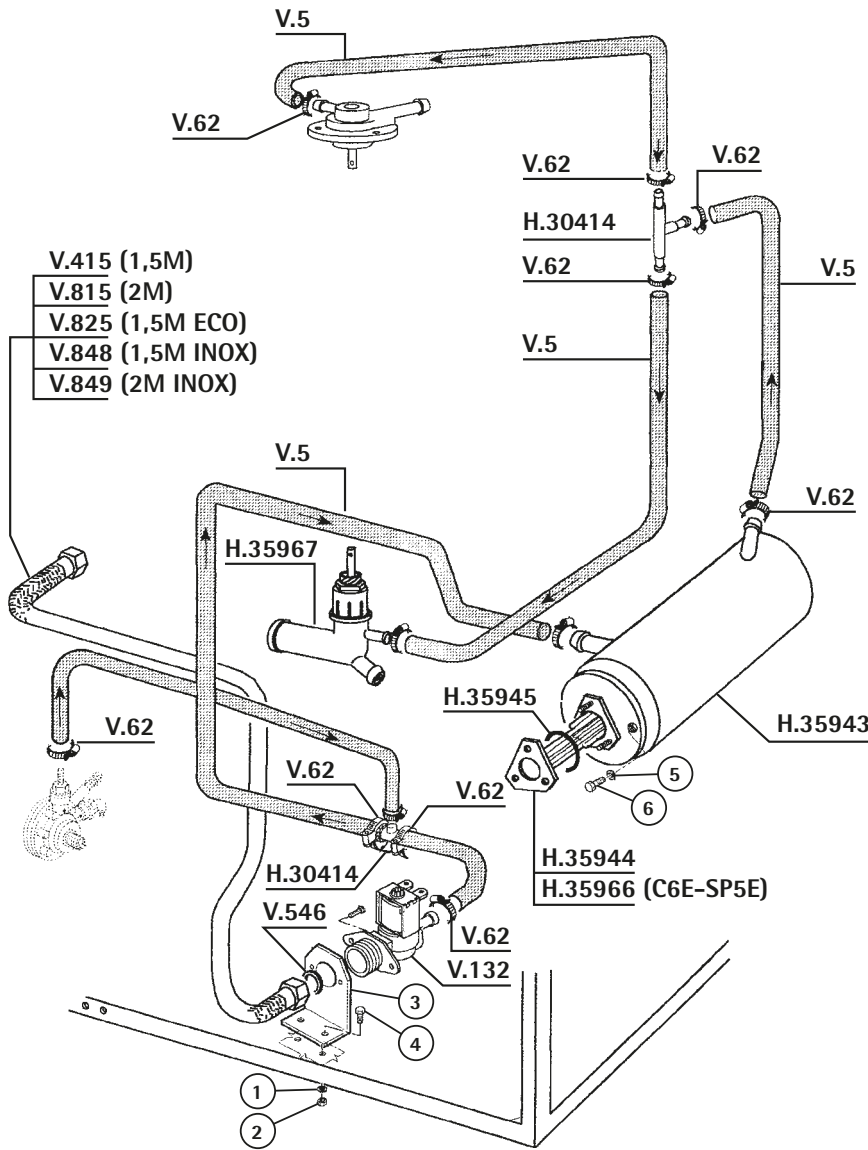
REF.	DESCRIPCIÓN	DESCRIPTION
H25209	PIE MAQUINA	MACHINE FOOT
H25266	JUNTA PLANA GOMA	FLAT RUBBER GASKET
H27155	TUERCA	NUT
H35905	TAPON	COVER
H35906	JUNTA	GASKET

REF.	DESCRIPCIÓN	DESCRIPTION
H15568	PERNO	PIN
H25743	ARANDELA	WASHER
H30438	MUELLE CIERRE PUERTA	CLOSING SPRING
H35899	ARANDELA	WASHER
H35907	IMAN	AIMANT
H35908	TUERCA	NUT
H35909	ARANDELA	WASHER
H35910	CHAPA	PLATE
H35940	MUELLE PUERTA	DOOR SPRING
LAV244	CIERRE PUERTA	CLOSING DOOR

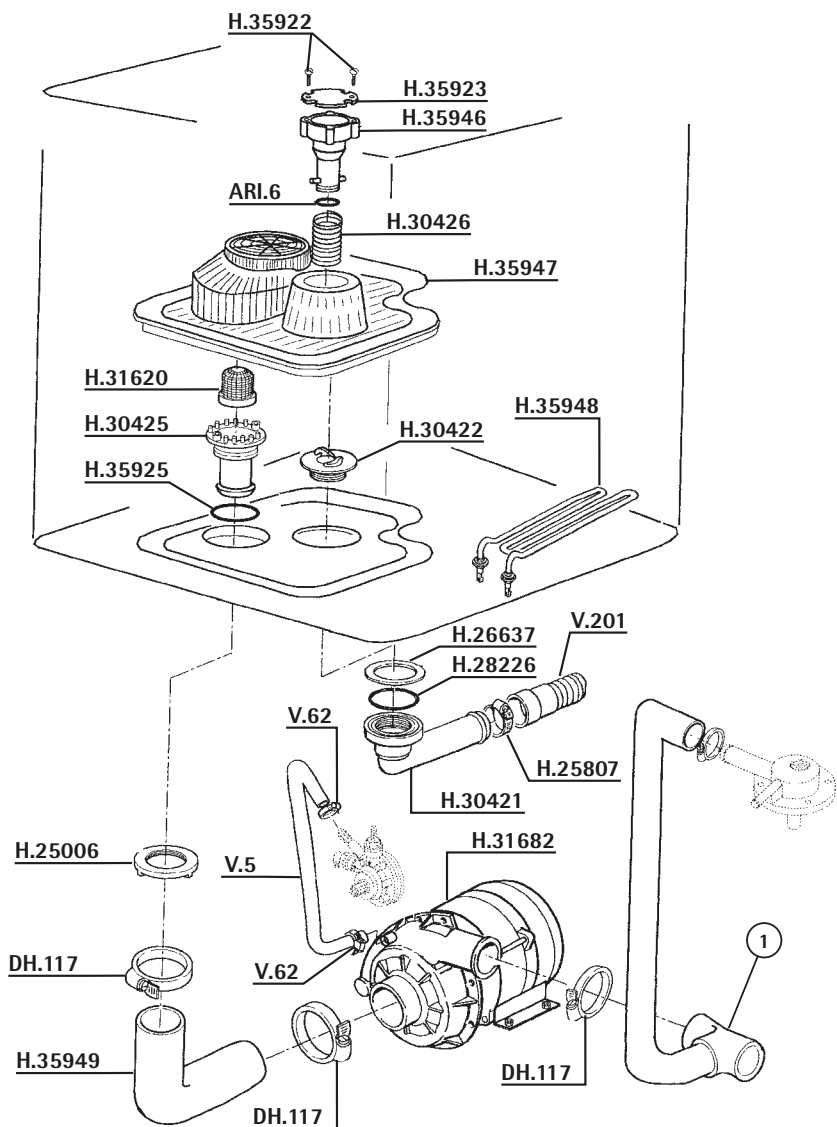


REF.	DESCRIPCIÓN	DESCRIPTION
DH.139	TERMOST.SEGURIDAD 90-110°	90-110° SAFETY THERMOSTAT
FA1032	BRIDA	CLASP
H25010	CAMARA PRESOSTATICA	PRESSURE SWITCH CHAMBER
H25011	RACOR PLASTICO	FITTING
H25263	JUNTA CIERRE GOMA	CLOSING RUBBER GASKET
H31171	PRESOSTATO SAL/HOR.28/12	28/12 HORIZ.PRESS.SWITCH
H31324	FILTRO ANTIPARASITO	FILTER
H31873	CONTACTOR	CONTACTOR
H33188	MICRO	MICRO
H33906	TERMOSTATO BIPOLAR 105°	105° THERMOSTAT
H35911	TERMOSTATO 2 TEMPERATURAS	THERMOSTAT
H35912	MANDO TERMOSTATO	THERMOSTAT KNOB
H35913	INTERRUPTOR CM	CM SWITCH
H35914	INTERRUPTOR CM AZUL	BLUE CM SWITCH
H35941	TERMOSTATO	THERMOSTAT
H35942	MANDO	KNOB
V.448	TUBO PRESOSTATO-METRO 4X6	4X6 PRE.SWITCH INLET PIPE





REF.	DESCRIPCIÓN	DESCRIPTION
H30414	RACOR EMPALME	UNION FITTING
H35943	CALDERIN C53E/C60E	C53E/C60E BOILER
H35944	RESISTENCIA C53E/C60E	C53E/C60E RESISTANCE
H35945	JUNTA RESISTENCIA	RESISTANCE GASKET
H35966	RESISTENCIA CGE	CGE RESISTANCE
H35967	DISTRIBUIDOR C6E	C6E DISTRIBUTOR
V....5	TUBO GOMA 10X16 20 ATM	20ATM 10X17 RUBBER PIPE
V..62	ABRAZADERA 12-20	12-20 CLAMP
V.132	ELECTROVAL.1 VIA LAV.220V	WASH 1 WAY 220V SOLENOID
V.415	TOMA LAVADORA 1,5M	QUALITY 1.5M.INLET W.FLEX
V.546	JUNTA GOMA 3/4	WATER INLET RUBBER GASKET
V.815	TOMA LAVADORA 2 METROS	2 MT.INLET WATER FLEXIBLE
V.825	TOMA LAVADORA 1.5 "ECO"	"ECO"1.5M INLET WA.FLEXIB
V.848	TOMA LAVADORA 1.5M INOX	INOX 1.5M INLET WATER FL.
V.849	TOMA LAV.INOX 2MT.3/4X3/4	INOX 2MT.INLET WATER FLE.



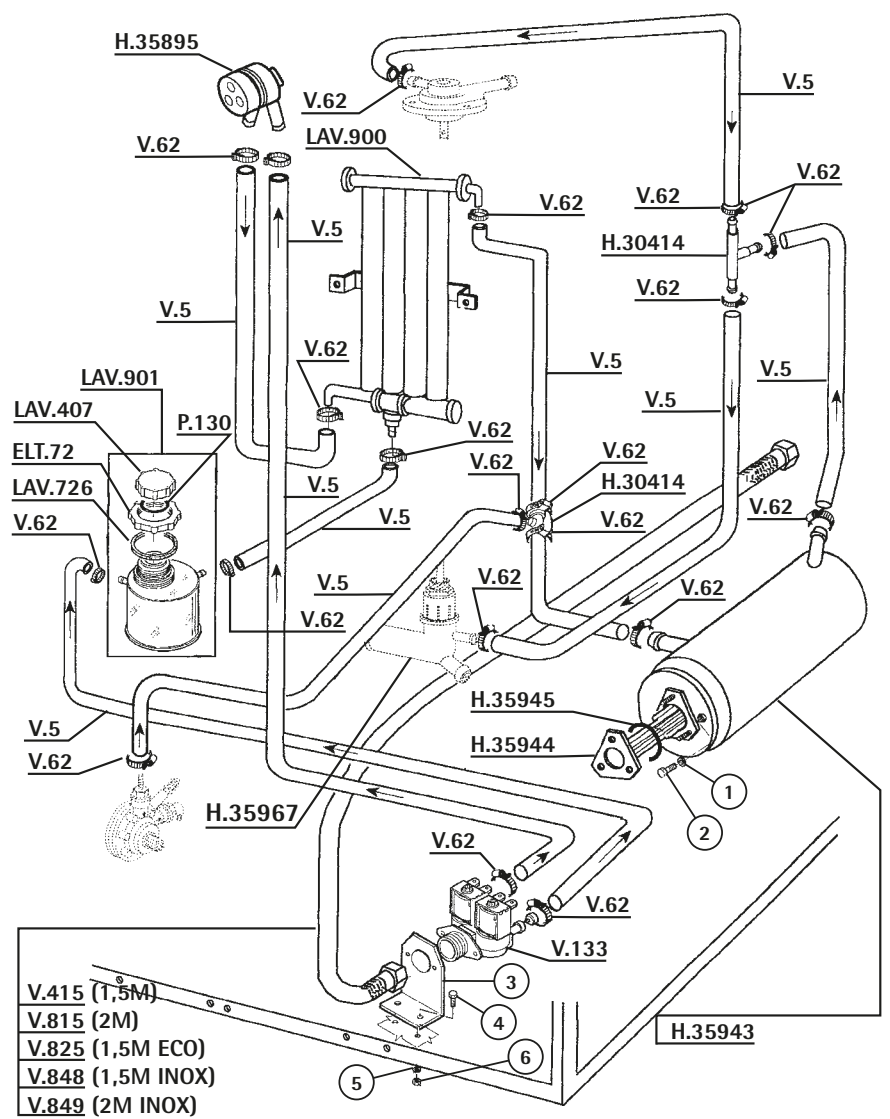
REF.	DESCRIPCIÓN	DESCRIPTION
ARI..6	TORICA GOMA	RUBBER RING
DH.117	ABRAZADERA 46-70	46-70 CLAMP
H25006	TUERCA PLASTICO	PLASTIC NUT
H25807	ABRAZADERA 25-40	25-40 CLAMP
H26637	JUNTA PILETA GOMA	RUBBER GASKET
H28226	TORICA CIERRE	CLOSING RING
H30421	CODO DESAGÜE	DRAIN ELBOW
H30422	SOPORTE FILTRO	FILTER SUPPORT
H30425	PILETA DESAGÜE	DRAIN TRAY
H30426	MUELLE	SPRING
H31620	FILTRO	FILTER
H31682	MOTOR 0.75 CV C-ST5 53/60	0.75 CV C-ST5 53/60 MOTOR
H35922	TORNILLO	SCREW
H35923	TAPA SOBRENIVEL	OVERFLOW LID
H35925	JUNTA	GASKET
H35946	REBOSADERO	OVERFLOW
H35947	FILTRO C53E/C60E	C53E/C60E FILTER
H35948	RESISTENCIA CUBA C53E/C60E	C53E/C60E TANK RESISTANCE
H35949	MANGUITO	SLEEVE
V....5	TUBO GOMA 10X16 20 ATM	20ATM 10X17 RUBBER PIPE
V..62	ABRAZADERA 12-20	12-20 CLAMP
V.201	TUBO DESAGÜE 28mm. 1,5mt.	28mm. 1.5mt OUTLET PIPE

Si no encuentra el componente que busca, llámenos, le ayudaremos.

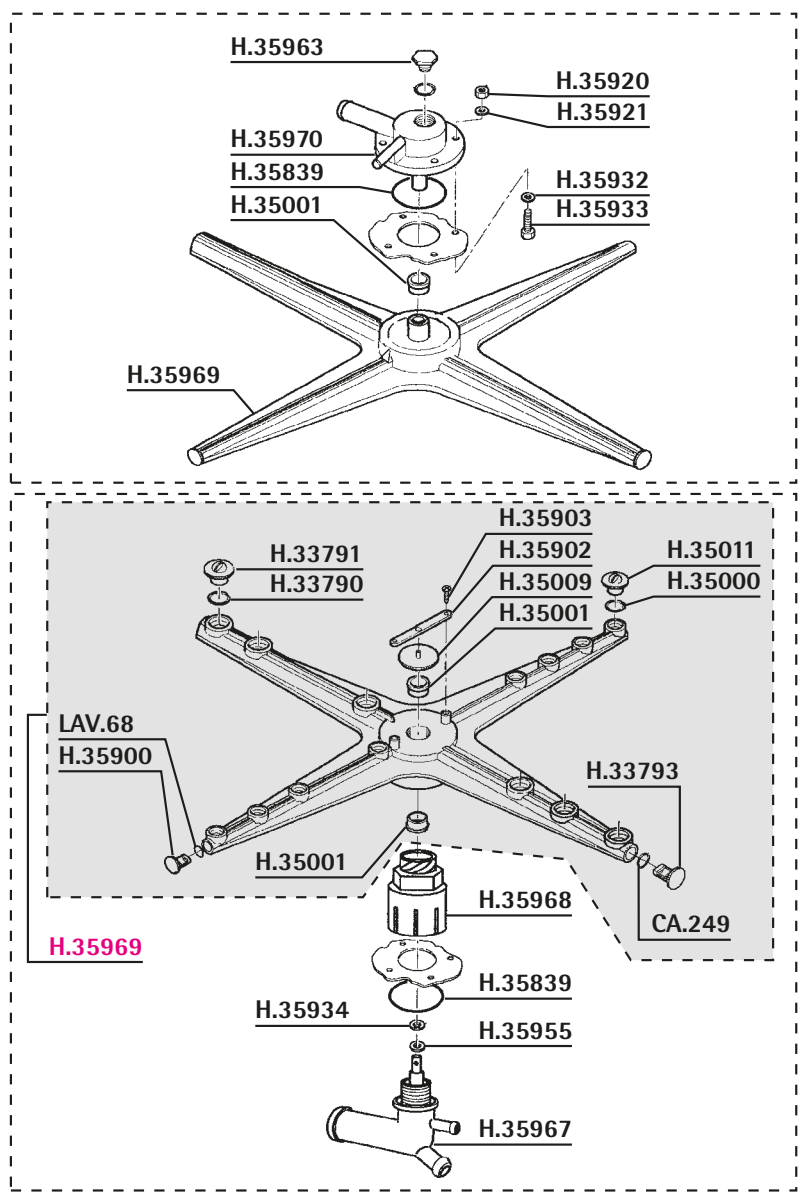


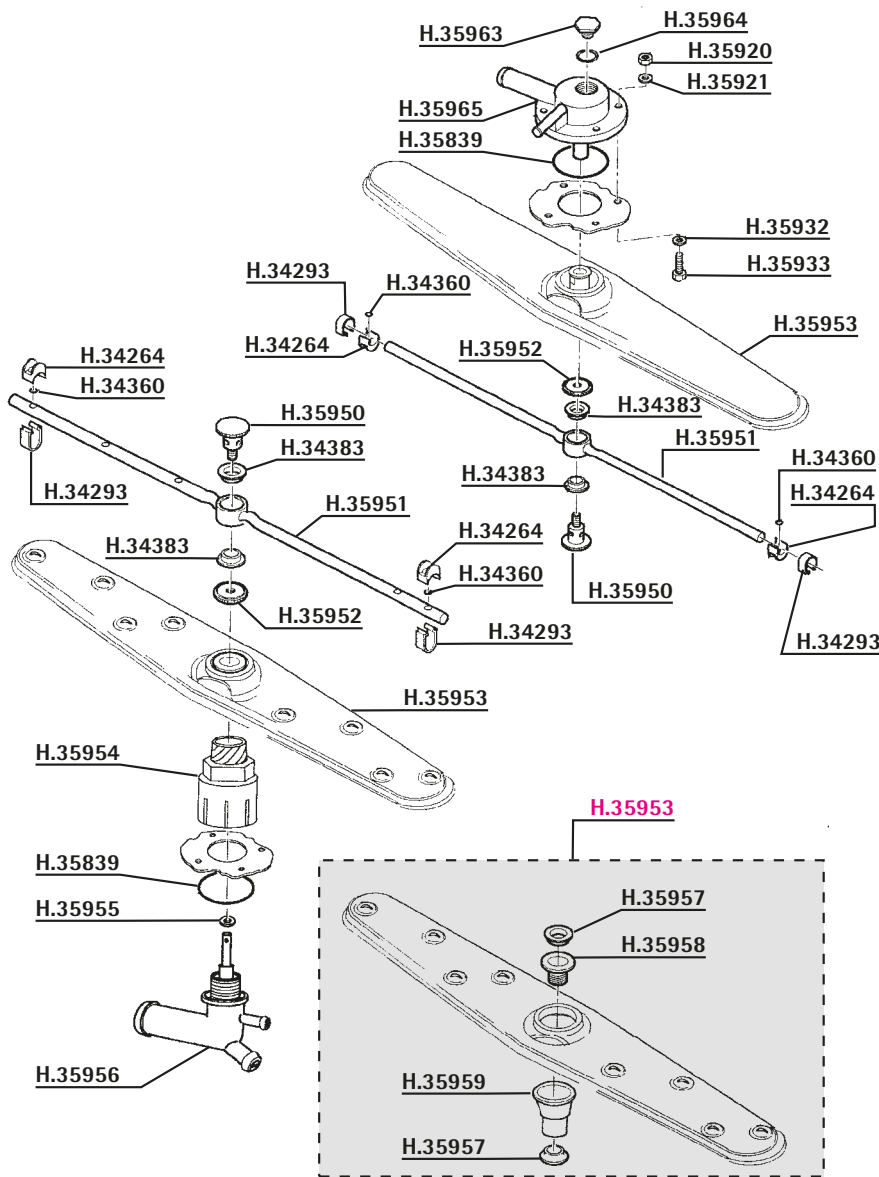
Tel: 93 377 64 11
Fax: 93 377 98 03
ascaso@ascaso.com

REF.	DESCRIPCIÓN	DESCRIPTION
ELT.72	RACOR DEPOSITO SAL	FITTING SALT CONTAINER
H30414	RACOR EMPALME	UNION FITTING
H35895	RACOR 2 VIAS	2 WAYS FITTING
H35943	CALDERIN C53E/C60E	C53E/C60E BOILER
H35944	RESISTENCIA C53E/C60E	C53E/C60E RESISTANCE
H35945	JUNTA RESISTENCIA	RESISTANCE GASKET
H35967	DISTRIBUIDOR C6E	C6E DISTRIBUTOR
LAV407	TAPON DEPOSITO SAL	SALT TANK CAP
LAV726	JUNTA GOMA BOTELLA SAL	BOTTLE SALT RUBBER GASKET
LAV900	DEPURADOR LAVATAZAS	WASHING CUP PURIFIER
LAV901	DEPOSITO SAL COMPLETO	SALT CONTAINER
P.130	TORICA EPDM	RING
V....5	TUBO GOMA 10X16 20 ATM	20ATM 10X16 RUBBER PIPE
V...62	ABRAZADERA 12-20	12-20 CLAMP
V..133	ELECTROVAL.2 VIA LAV.220V	WASH 2 WAYS 220V SOLENOID
V..415	TOMA LAVADORA 1,5M	QUALITY 1.5M.INLET W.FLEX
V..815	TOMA LAVADORA 2 METROS	2 MT.INLET WATER FLEXIBLE
V..825	TOMA LAVADORA 1.5 "ECO"	"ECO"1.5M INLET WA.FLEXIB
V..848	TOMA LAVADORA 1.5M INOX	INOX 1.5M INLET WATER FL.
V..849	TOMA LAV.INOX 2MT.3/4X3/4	INOX 2MT.INLET WATER FLE.



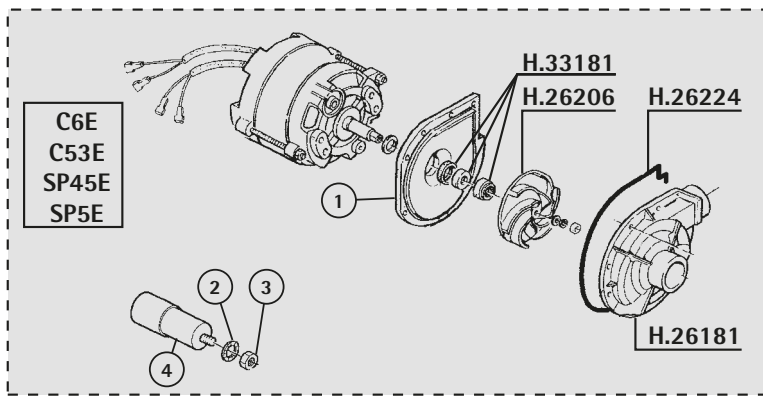
REF.	DESCRIPCIÓN	DESCRIPTION
CA.249	TORICA VALVULA	VALVE RING
H33790	TORICA GOMA	RING
H33791	RACOR ACLARADO	CLEAR FITTING
H33793	TAPON BRAZO ACLARADO	CLEAR ARM CAP
H35000	TORICA	RING
H35001	CASQUILLO	CAP
H35009	TORNILLO FIJACION	FIXATION SCREW
H35011	ROCIADOR AGUA	WATER SPRAY
H35839	JUNTA RESIS.C-48 +2001	C-48 +2001 GASKET
H35900	TAPON GIRATORIO	GIRATORY COVER
H35902	PLACA GIRATORIO	GIRATORY PLATE
H35903	TORNILLO GIRATORIO	GIRATORY SCREW
H35920	TUERCA	NUT
H35921	ARANDELA	WASHER
H35932	ARANDELA	WASHER
H35933	ARANDELA	WASHER
H35934	JUNTA	GASKET
H35955	ARANDELA	WASHER
H35963	TORNILLO COLECTOR	COLECTOR SCREW
H35967	DISTRIBUIDOR C6E	C6E DISTRIBUTOR
H35968	SOPORTE GIRATORIO	GIRATORY SUPPORT
H35969	GIRATORIO COMPLETO C6E	C6E COMPLET GIRATORY
H35970	COLECTOR SUPERIOR	UPPER COLLECTOR
LAV.68	TORICA GOMA EPDM	RUBBER RING



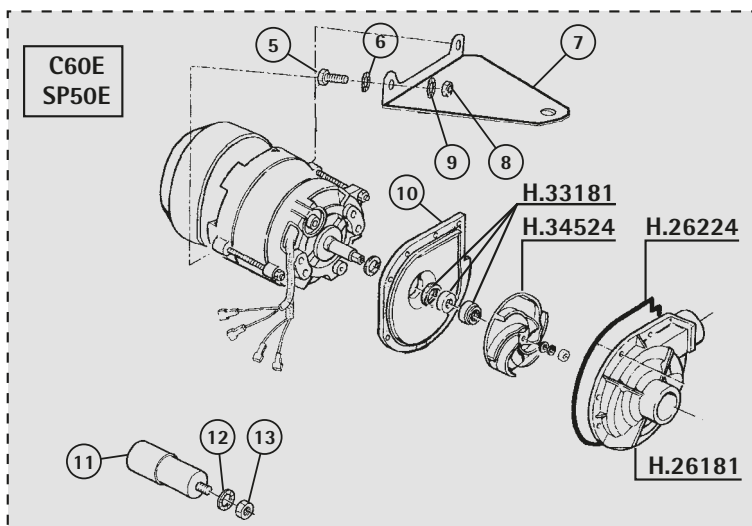


REF.	DESCRIPCIÓN	DESCRIPTION
H34264	SURTIDOR ACLARADO	RINSE SPRAY
H34293	MUELLE	SPRING
H34360	JUNTA TORICA 7 X 1 NBR 70	GASKET
H34383	CASQUILLO	CAP
H35839	JUNTA RESIS.C-48 +2001	C-48 +2001 GASKET
H35920	TUERCA	NUT
H35921	ARANDELA	WASHER
H35932	ARANDELA	WASHER
H35933	ARANDELA	WASHER
H35950	TORNILLO GIRATORIO	GIRATORY SCREW
H35951	GIRATORIO ACLARADO	RINSE GIRATORY
H35952	TUERCA GIRATORIO	GIRATORY NUT
H35953	GIRATORIO LAVADO	WASHING GIRATORY
H35954	SOPORTE GIRATORIO	GIRATORY SUPPORT
H35955	ARANDELA	WASHER
H35956	COLECTOR SOPORTE GIRATORIO	GIRATORY SUPPORT COLECTOR
H35957	CASQUILLO	CAP
H35958	TORNILLO GIRATORIO	GIRATORY SCREW
H35959	ADAPTADOR	ADAPTOR
H35963	TORNILLO COLECTOR	COLECTOR SCREW
H35964	JUNTA	GASKET
H35965	COLECTOR	COLLECTOR

Motor C6E - C53E -C60E - SP5E - SP45E - SP50E ■ C6E - C53E -C60E - SP5E - SP45E - SP50E Motor 1106

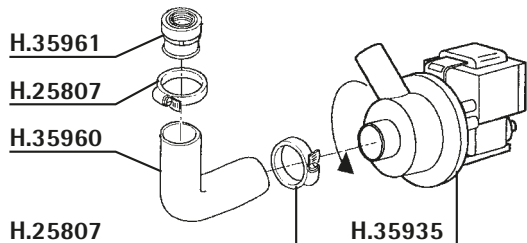


H.31682

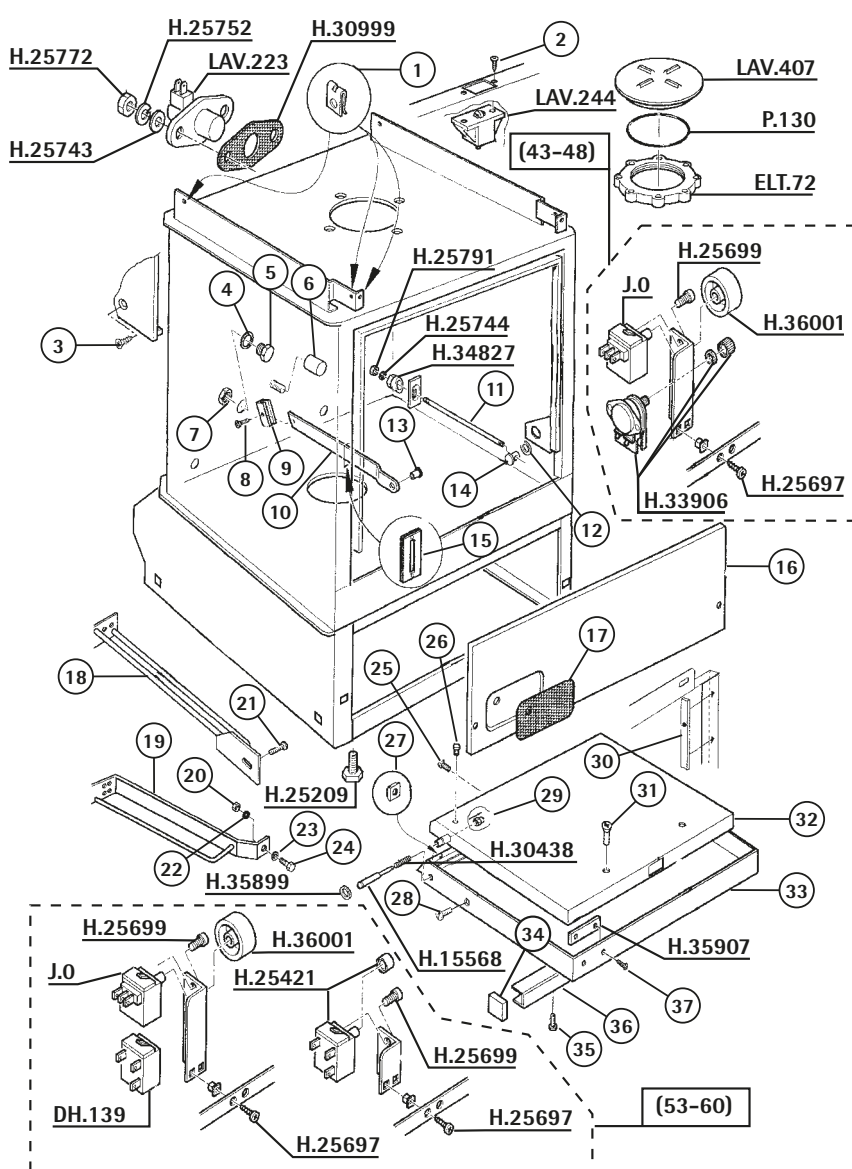


H.35962

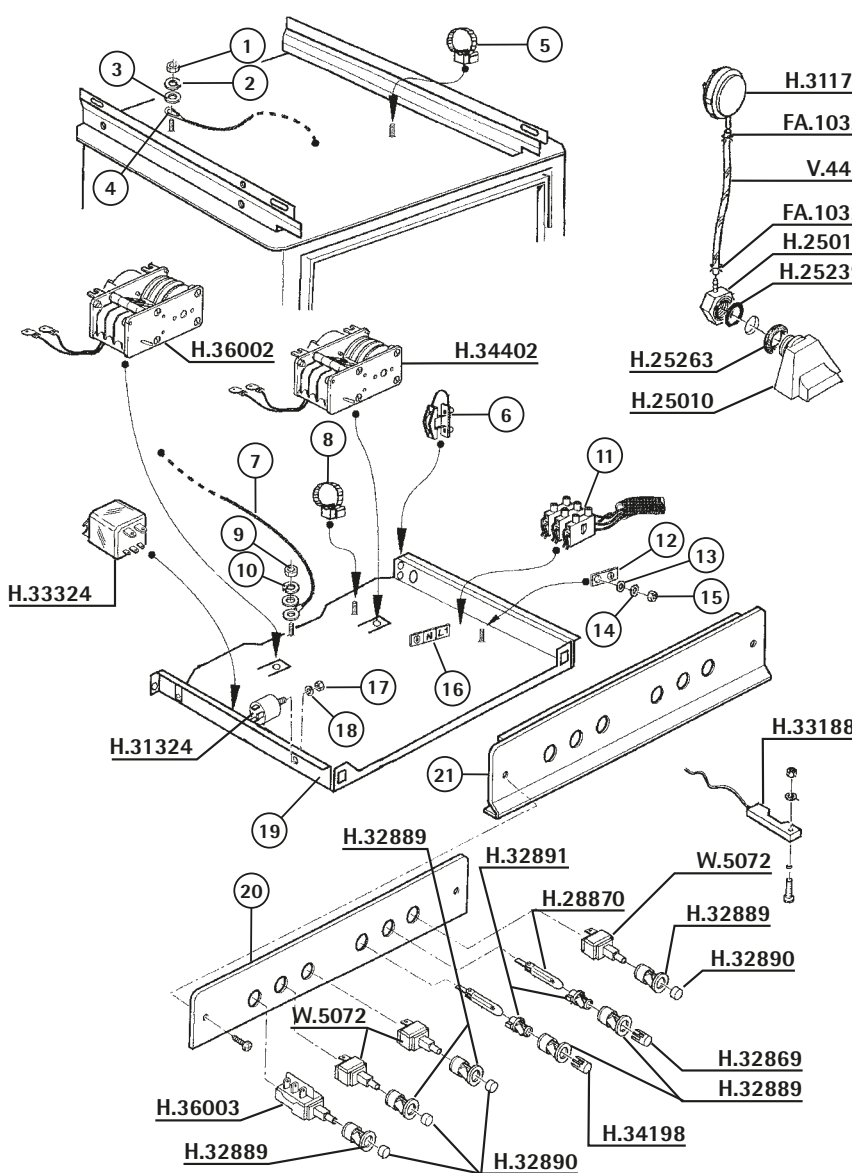
REF.	DESCRIPCIÓN	DESCRIPTION
H25807	ABRAZADERA 25-40	25-40 CLAMP
H26181	TAPA BOMBA	MOTOR LID
H26206	TURBINA BOMBA	PUMP TURBINE
H26224	JUNTA TAPA BOMBA GOMA	PUMP COVER RUBBER GASKET
H31682	MOTOR 0.75 CV C-ST5 53/60	0.75 CV C-ST5 53/60 MOTOR
H33181	RETEN BOMBA	MECHANICAL SEAL
H34524	TURBINA MOTOR	MOTOR TURBINE
H35935	BOMBA DESAGÜE	DRAIN PUMP
H35960	CODO	ELBOW
H35961	RACOR	FITTING
H35962	MOTOR C60E	C60E MOTOR

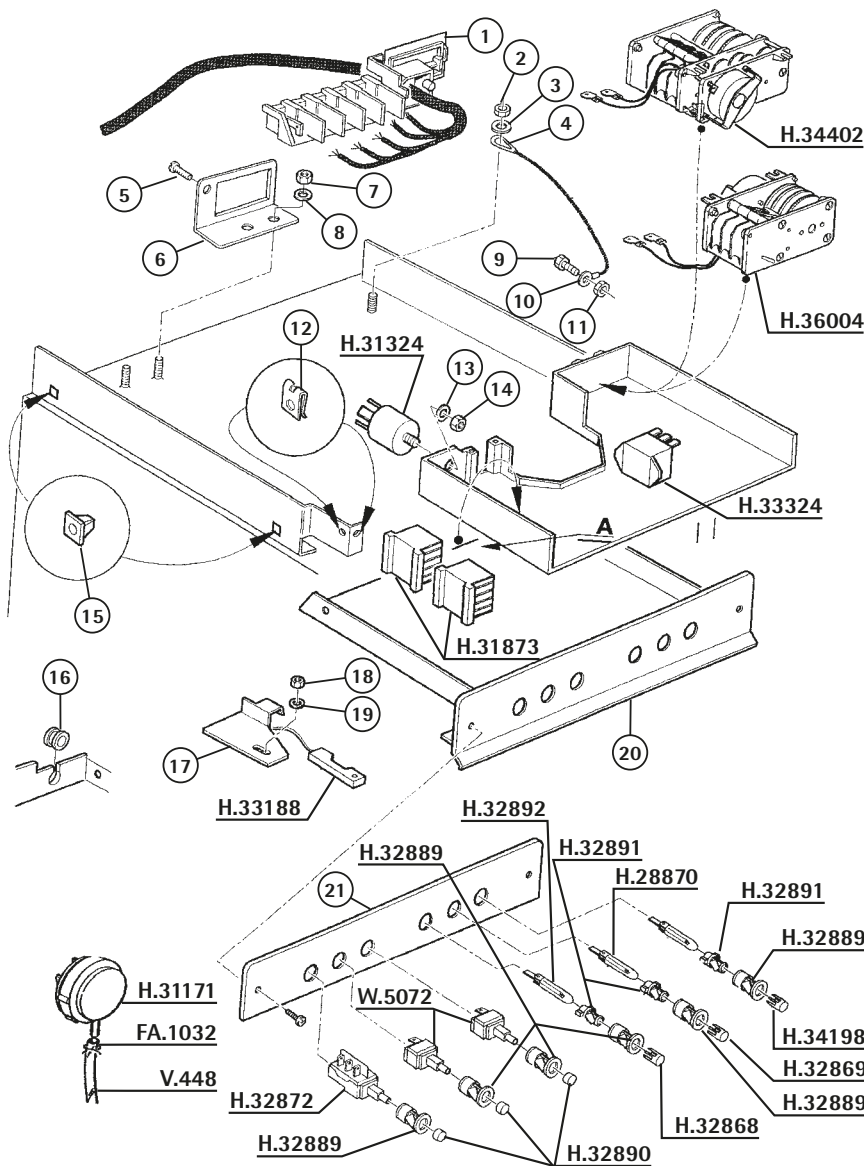


REF.	DESCRIPCIÓN	DESCRIPTION
DH.139	TERMOST.SEGURIDAD 90-110°	90-110° SAFETY THERMOSTAT
ELT.72	RACOR DEPOSITO SAL	FITTING SALT CONTAINER
H15568	PERNO	PIN
H25209	PIE MAQUINA	MACHINE FOOT
H25421	TERMOSTATO FIJO 55°	55° EVAPORATION THERMOSTAT
H25697	TORNILLO	SCREW
H25699	TORNILLO	SCREW
H25743	ARANDELA	WASHER
H25744	ARANDELA	WASHER
H25752	ARANDELA	WASHER
H25772	TUERCA	NUT
H25791	TUERCA AUTOBLOCANTE	AUTOBLOC NUT
H30438	MUELLE CIERRE PUERTA	CLOSING SPRING
H30999	JUNTA GOMA	RUBBER GASKET
H33906	TERMOSTATO BIPOLAR 105°	105° THERMOSTAT
H34827	TOPE	STOP
H35899	ARANDELA	WASHER
H35907	IMAN	AIMANT
H36001	MANDO TERMOSTATO	THERMOSTAT KNOB
J....0	TERMOSTATO 0-90°	0-90° THERMOSTAT
LAV223	TERMOSTATO CUBA B11/12	B-11/12 TANK THERMOSTAT
LAV244	CIERRE PUERTA	CLOSING DOOR
LAV407	TAPON DEPOSITO SAL	SALT TANK CAP
P.130	TORICA EPDM	RING



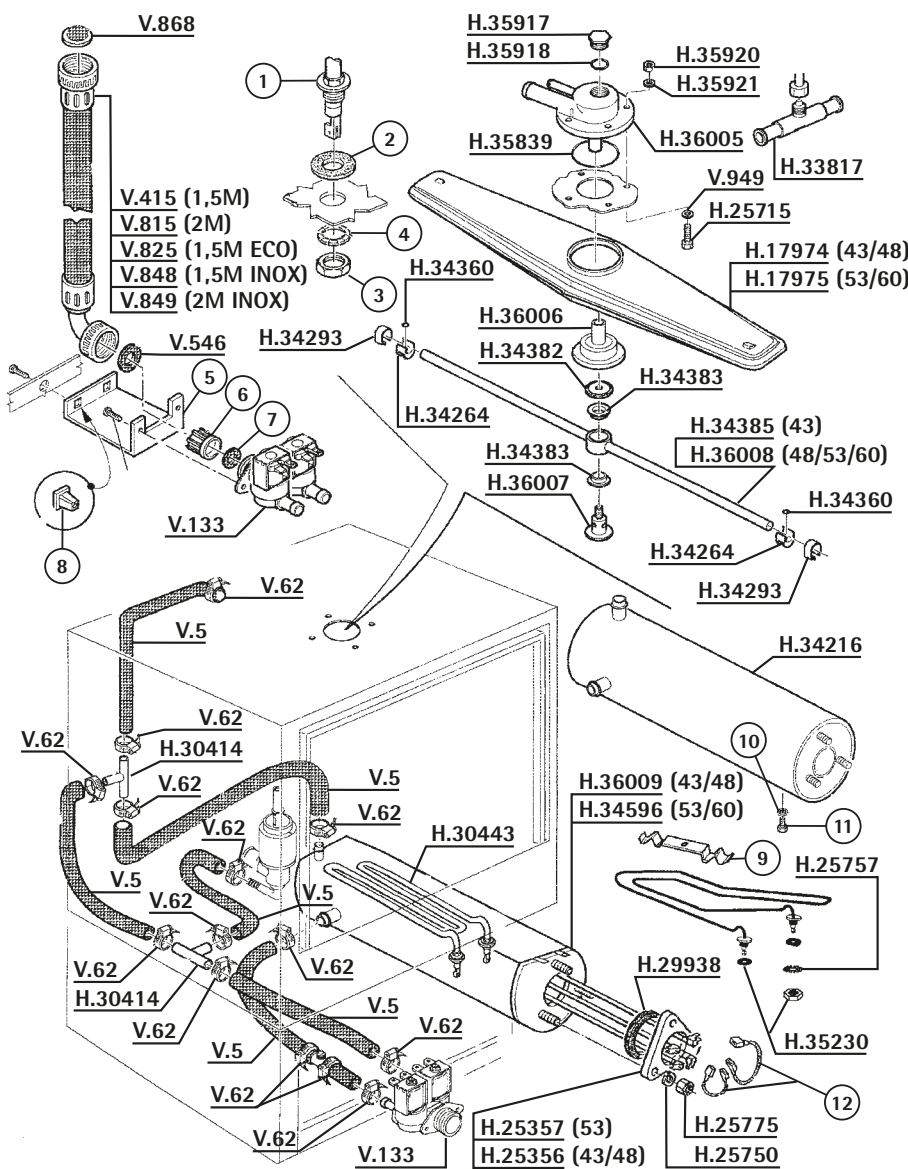
REF.	DESCRIPCIÓN	DESCRIPTION
FA1032	BRIDA	CLASP
H25010	CAMARA PRESOSTATICA	PRESSURE SWITCH CHAMBER
H25011	RACOR PLASTICO	FITTING
H25239	TORICA CIERRE	CLOSING RING
H25263	JUNTA CIERRE GOMA	CLOSING RUBBER GASKET
H28870	PILOTO BLANCO 8mm C.CABLE	8mm W.WIRING GREEN LAMP
H31171	PRESOSTATO SAL/HOR.28/12	28/12 HORIZ.PRESS.SWITCH
H31324	FILTRO ANTIPARASITO	FILTER
H32869	PILOTO NARANJA	ORANGE WARNING LAMP
H32889	SOPORTE PLASTICO GRIS	SUPPORT
H32890	BOTON PULSADOR	PUSH-BUTTON
H32891	SOPORTE PILOTO	LAMP SUPPORT
H33188	MICRO	MICRO
H33324	RELE	RELAY
H34198	TAPA AZUL	BLUE LIT
H34402	PROGRAMADOR 4 MICROS 120°	120° 4 TOOTH TIMER
H36002	PROGRAMADOR STS 43/48	STS 43/48 TIMER
H36003	INTERRUPTOR	SWITCH
V.448	TUBO PRESOSTATO-METRO 4X6	4X6 PRE.SWITCH INLET PIPE
W.5072	PULSANTE	PUSH-BUTTON





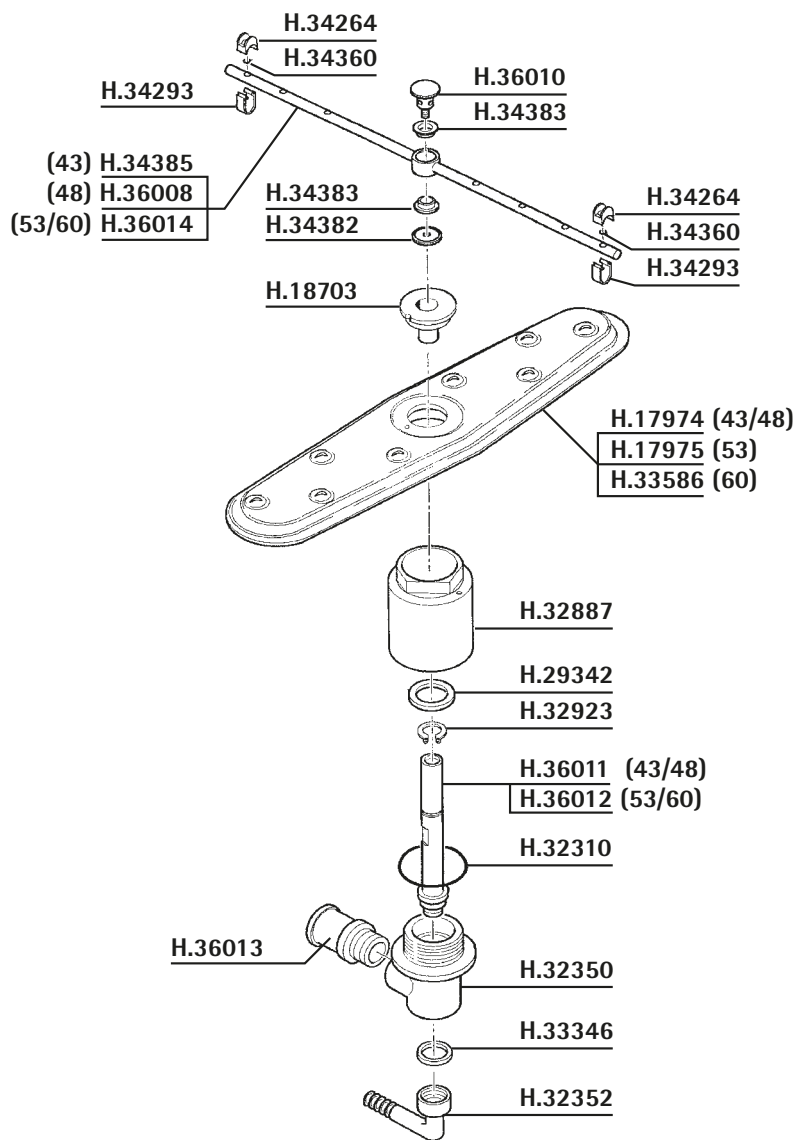
REF.	DESCRIPCIÓN	DESCRIPTION
FA1032	BRIDA	CLASP
H28870	PILOTO BLANCO 8mm C.CABLE	8mm W.WIRING GREEN LAMP
H31171	PRESOSTATO SAL/HOR.28/12	28/12 HORIZ.PRESS.SWITCH
H31324	FILTRO ANTIPARASITO	FILTER
H31873	CONTACTOR	CONTACTOR
H32868	PILOTO VERDE	GREEN WARNING LAMP
H32869	PILOTO NARANJA	ORANGE WARNING LAMP
H32872	INTERRUPTOR	SWITCH
H32889	SOPORTE PLASTICO GRIS	SUPPORT
H32890	BOTON PULSADOR	PUSH-BUTTON
H32891	SOPORTE PILOTO	LAMP SUPPORT
H32892	PILOTO BLANCO 8mm 220V	8mm 220V WHITE LAMP
H33188	MICRO	MICRO
H33324	RELE	RELAY
H34198	TAPA AZUL	BLUE LIT
H34402	PROGRAMADOR 4 MICROS 120°	120° 4 TOOTH TIMER
H36004	PROGRAMADOR 120° - 220°	120° - 220° TIMER
V.448	TUBO PRESOSTATO-METRO 4X6	4X6 PRE.SWITCH INLET PIPE
W.5072	PULSANTE	PUSH-BUTTON

Calderín / Resistencia / Lavado / Aclarado STS43 - STS48 - STS53 - STS60 ■ STS43 - STS48 - STS53 - STS60 Wash / Rinse / Resistance / Boiler

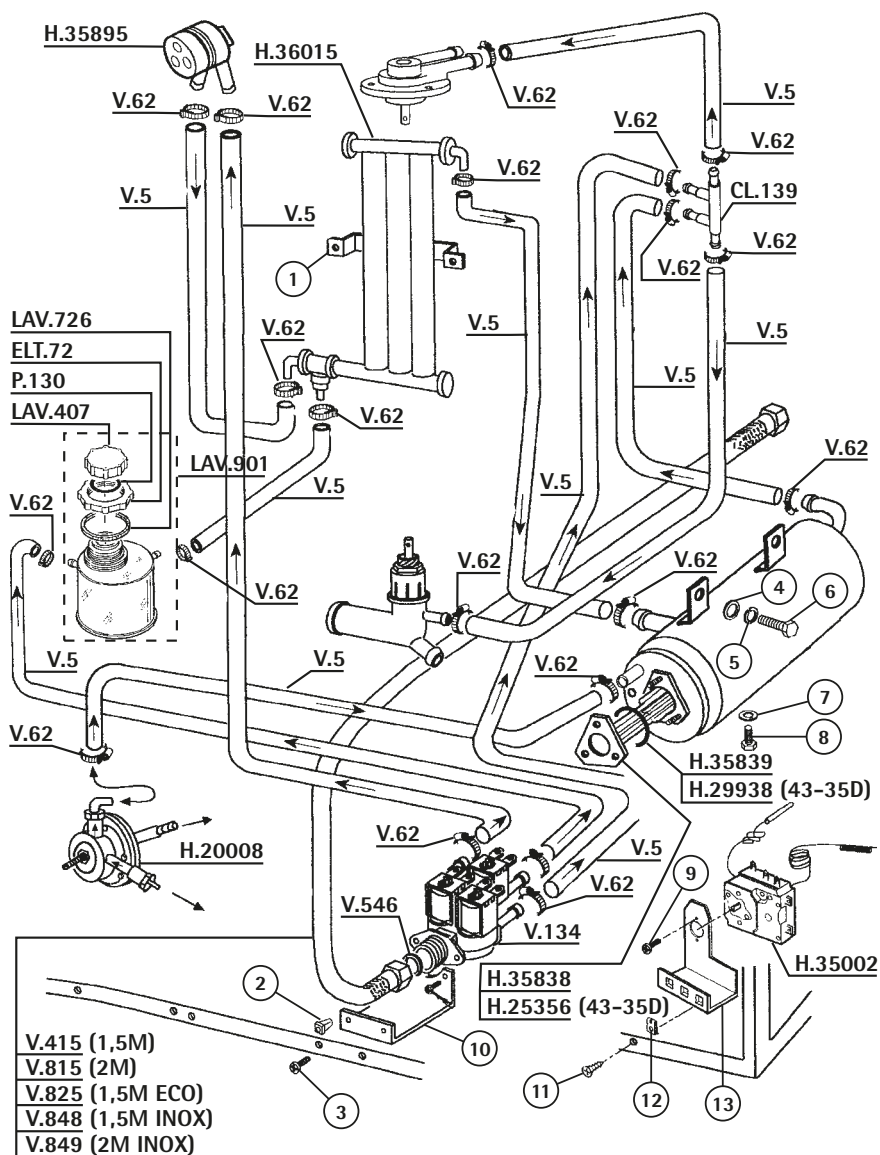


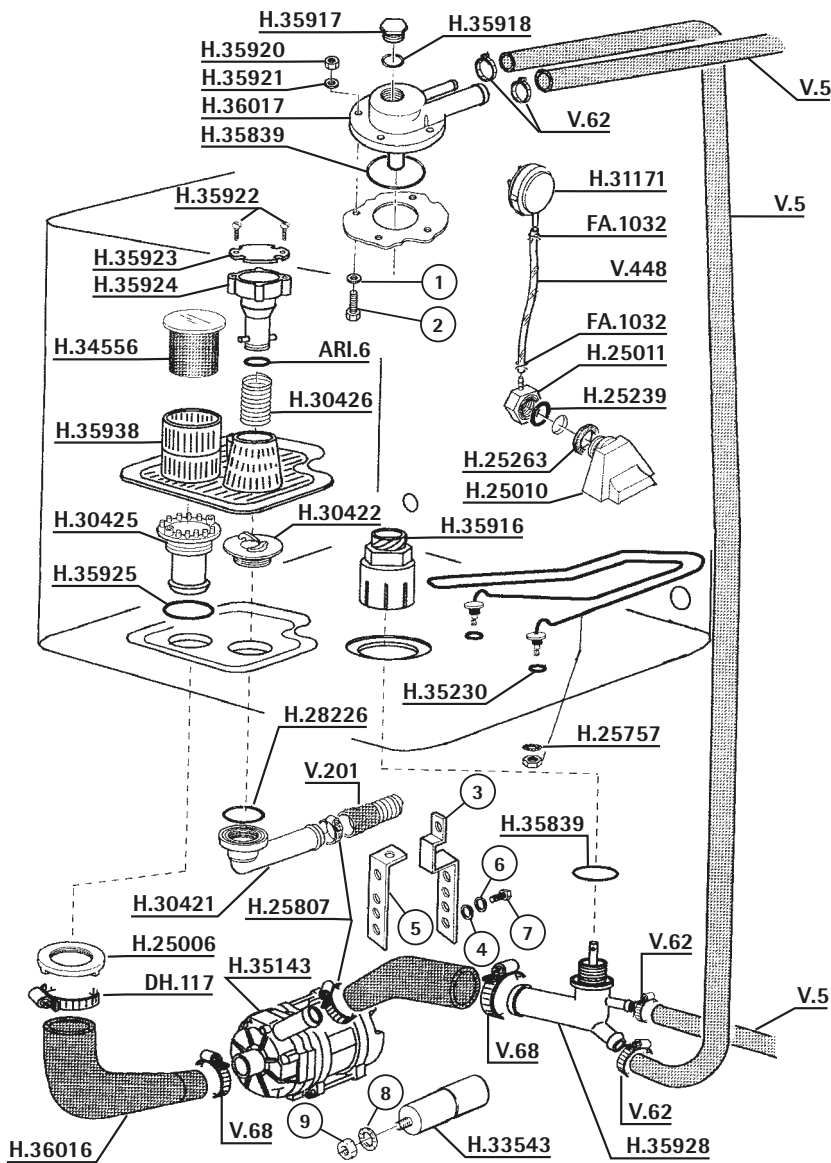
REF.	DESCRIPCIÓN	DESCRIPTION
H17974	ASTA LAVADO	WASHING ARM
H17975	ASTA LAVADO	WASHING ARM
H25356	RESISTENCIA 3000 W 230V	RESISTANCE 3000 W 230V
H25357	RESISTENCIA 4000W 220V	4000W 220V RESISTANCE
H25715	TORNILLO INOX M6x15 mm	M6x15 mm INOX SCREW
H25750	ARANDELA	WASHER
H25757	ARANDELA	WASHER
H25775	TUERCA	NUT
H29938	JUNTA RESIST.TRIANG.GOMA	RESISTANCE RUBBER GASKET
H30414	RACOR EMPALME	UNION FITTING
H30443	RESISTENCIA CUBA 600W 230V	600W 230V TANK RESISTANCE
H33817	T CALDERIN	BOILER T
H34216	CALDERIN STS-43/48	STS-42/48 BOILER
H34264	SURTIDOR ACLARADO	RINSE SPRAY
H34293	MUELLE	SPRING
H34360	JUNTA TORICA 7 X 1 NBR 70	GASKET
H34382	TUERCA	NUT
H34383	CASQUILLO	CAP
H34385	ASTA ACLARADO	RINSE ARM
H34596	CALDERIN C-53/C60	C-53/C-60 BOILER
H35230	RESISTENCIA CUBA 2000W 230V	2000 W 230V TANK RESISTANCE
H35839	JUNTA RESIS.C-48 +2001	C-48 +2001 GASKET
H35917	TORNILLO	SCREW
H35918	JUNTA	GASKET
H35920	TUERCA	NUT
H35921	ARANDELA	WASHER
H36005	COLECTOR SUPERIOR	UPPER COLECTOR
H36006	ADAPTADOR GIRATORIO	GIRATORY ADAPTOR
H36007	TORNILLO GIRATORIO	GIRATORY SCREW
H36008	GIRATORIO ACLARADO STS48	RINSE GIRATORY
H36009	CALDERIN STS43/48	STS43/48 BOILER
V...5	TUBO GOMA 10X16 20 ATM	20ATM 10X17 RUBBER PIPE
V...62	ABRAZADERA 12-20	12-20 CLAMP
V.133	ELECTROVAL.2 VIA LAV.220V	WASH 2 WAYS 220V SOLENOID
V.415	TOMA LAVADORA 1.5M	QUALITY 1.5M.INLET W.FLEX
V.546	JUNTA GOMA 3/4	WATER INLET RUBBER GASKET
V.815	TOMA LAVADORA 2 METROS	2 MT.INLET WATER FLEXIBLE
V.825	TOMA LAVADORA 1.5 "ECO"	"ECO"1.5M INLET WA.FLEXIB
V.848	TOMA LAVADORA 1.5M INOX	INOX 1.5M INLET WATER FL.
V.849	TOMA LAV.INOX 2MT.3/4X3/4	INOX 2MT.INLET WATER FLE.
V.868	FILTRO TOMA LAVADORA 3/4	INLET WATER FILTER
V.949	ARANDELA INOX M6	M6 INOX WASHER

REF.	DESCRIPCIÓN	DESCRIPTION
H17974	ASTA LAVADO	WASHING ARM
H17975	ASTA LAVADO	WASHING ARM
H18703	SOPORTE ASTAS	ARMS SUPPORT
H29342	JUNTA CERAMICA	NUT
H32310	TORICA GOMA NBR	RING
H32350	GRUPO CENTRAL	CENTRAL GROUP
H32352	CODO LATON	BRASS ELBOW
H32887	SOPORTE ASPAS	UPPER REEL SUPPORT
H32923	SEEGER	SEEGER
H33346	DISCO GRUPO CENTRAL	CENTRAL GROUP DISK
H33586	ASTA LAVADO	WASHING ARM
H34264	ROCIADOR ACLARADO	RINSE SPRAY
H34293	MUELLE	SPRING
H34360	JUNTA TORICA 7 X 1 NBR 70	GASKET
H34382	TUERCA	NUT
H34383	CASQUILLO	CAP
H34385	ASTA ACLARADO	RINSE ARM
H36008	GIRATORIO ACLARADO STS48	RINSE GIRATORY
H36010	TORNILLO GIRATORIO	GIRATORY SCREW
H36011	EJE GIRATORIO STS43/48	GIRATORY ROD
H36012	EJE GIRATORIO STS 53/60	STS 53/60 GIRATORY ROD
H36013	RACOR	FITTING
H36014	GIRATORIO ACLARADO STS 53/60	RINSE GIRATORY STS 53/60



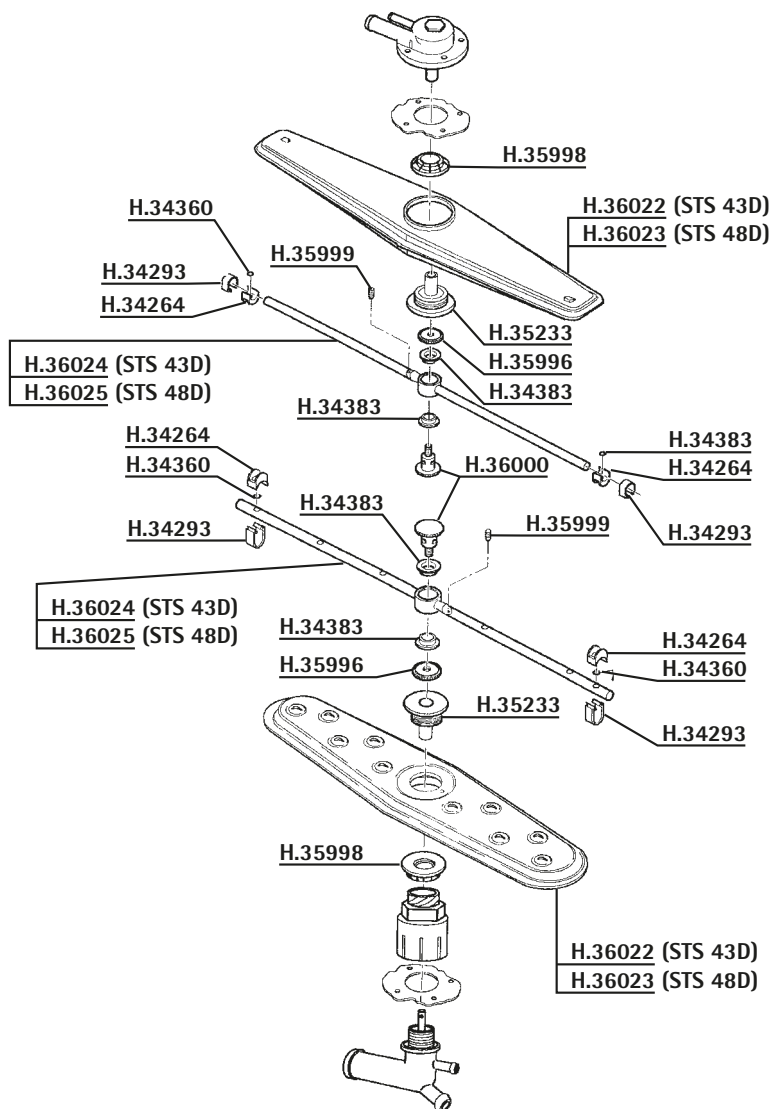
REF.	DESCRIPCIÓN	DESCRIPTION
ELT.72	RACOR DEPOSITO SAL	FITTING SALT CONTAINER
H20008	DOSIFICADOR ABRILLANTADOR	RINSE AID DOSIMETER
H25356	RESISTENCIA 3000 W 230V	RESISTANCE 3000 W 230V
H29938	JUNTA RESIST.TRIANG.GOMA	RESISTANCE RUBBER GASKET
H35002	TERMOSTATO DOBLE	DOUBLE THERMOSTAT
H35838	RESISTENCIA CALD.C-48 +2001	C-48 +2001 RESISTANCE
H35839	JUNTA RESIS.C-48 +2001	C-48 +2001 GASKET
H35895	RACOR 2 VIAS	2 WAYS FITTING
H36015	DEPURADOR 3 ELEMENTOS	3 ELEMENTS PURIFIERS
LAV407	TAPON DEPOSITO SAL	SALT TANK CAP
LAV726	JUNTA GOMA BOTELLA SAL	BOTTLE SALT RUBBER GASKET
LAV901	DEPOSITO SAL COMPLETO	SALT CONTAINER
P.130	TORICA EPDM	RING
V....5	TUBO GOMA 10X16 20 ATM	20ATM 10X17 RUBBER PIPE
V...62	ABRAZADERA 12-20	12-20 CLAMP
V..134	ELECTROVAL.3VIA LAV.220V	WASH 3 WAYS 220V SOLENOID
V..415	TOMA LAVADORA 1,5M	QUALITY 1.5M.INLET W.FLEX
V..546	JUNTA GOMA 3/4	WATER INLET RUBBER GASKET
V..815	TOMA LAVADORA 2 METROS	2 MT.INLET WATER FLEXIBLE
V..825	TOMA LAVADORA 1.5 "ECO"	"ECO"1.5M INLET WA.FLEXIB
V..848	TOMA LAVADORA 1.5M INOX	INOX 1.5M INLET WATER FL.
V..849	TOMA LAV.INOX 2MT.3/4X3/4	INOX 2MT.INLET WATER FLE.





REF.	DESCRIPCIÓN	DESCRIPTION
ARI..6	TORICA GOMA	RUBBER RING
DH.117	ABRAZADERA 46-70	46-70 CLAMP
FA1032	BRIDA	CLASP
H25006	TUERCA PLASTICO	PLASTIC NUT
H25010	CAMARA PRESOSTATICA	PRESSURE SWITCH CHAMBER
H25011	RACOR PLASTICO	FITTING
H25239	TORICA	RING
H25263	JUNTA CIERRE GOMA	CLOSING RUBBER GASKET
H25757	ARANDELA	WASHER
H25807	ABRAZADERA 25-40	25-40 CLAMP
H28226	TORICA CIERRE	CLOSING RING
H30421	CODO DESAGÜE	DRAIN ELBOW
H30422	SOPORTE FILTRO	FILTER SUPPORT
H30425	PILETA DESAGÜE	DRAIN TRAY
H30426	MUELLE	SPRING
H31171	PRESOSTATO SAL/HOR.28/12	28/12 HORIZ.PRESS.SWITCH
H33543	CODENSADOR	CONDENSER
H34556	FILTRO SERIE C MODERNO	SERIE C FILTER
H35143	MOTOR C-CR 43/48 3 VIAS	C-CR 43/48 3 WAYS MOTOR
H35230	RESISTENCIA CUBA 2000W 230V	2000 W 230V TANK RESISTANCE
H35839	JUNTA RESIS.C-48 +2001	C-48 +2001 GASKET
H35916	SOPORTE GIRATORIO	GIRATORY SUPPORT
H35917	TORNILLO	SCREW
H35918	JUNTA	GASKET
H35920	TUERCA	NUT
H35921	ARANDELA	WASHER
H35922	TORNILLO	SCREW
H35923	TAPA SOBRENIVEL	OVERFLOW LID
H35924	SOBRENIVEL	OVERFLOW
H35925	JUNTA	GASKET
H35928	DISTRIBUIDOR INFERIOR	LOWER DISTRIBUTOR
H35938	FILTRO	FILTER
H36016	MANGUITO	SLEEVE
H36017	COLECTOR SUPERIOR	UPPER COLECTOR
V....5	TUBO GOMA 10X16 20 ATM	20ATM 10X17 RUBBER PIPE
V...62	ABRAZADERA 12-20	12-20 CLAMP
V...68	ABRAZADERA 32-50	35-50 CLAMP
V..201	TUBO DESAGÜE 28mm. 1,5mt.	28mm. 1.5mt OUTLET PIPE
V..448	TUBO PRESOSTATO-METRO 4X6	4X6 PRE.SWITCH INLET PIPE

Lavado / Aclarado STS43D - STS48D ■ STS43D - STS48D Rinse / Wash 1114



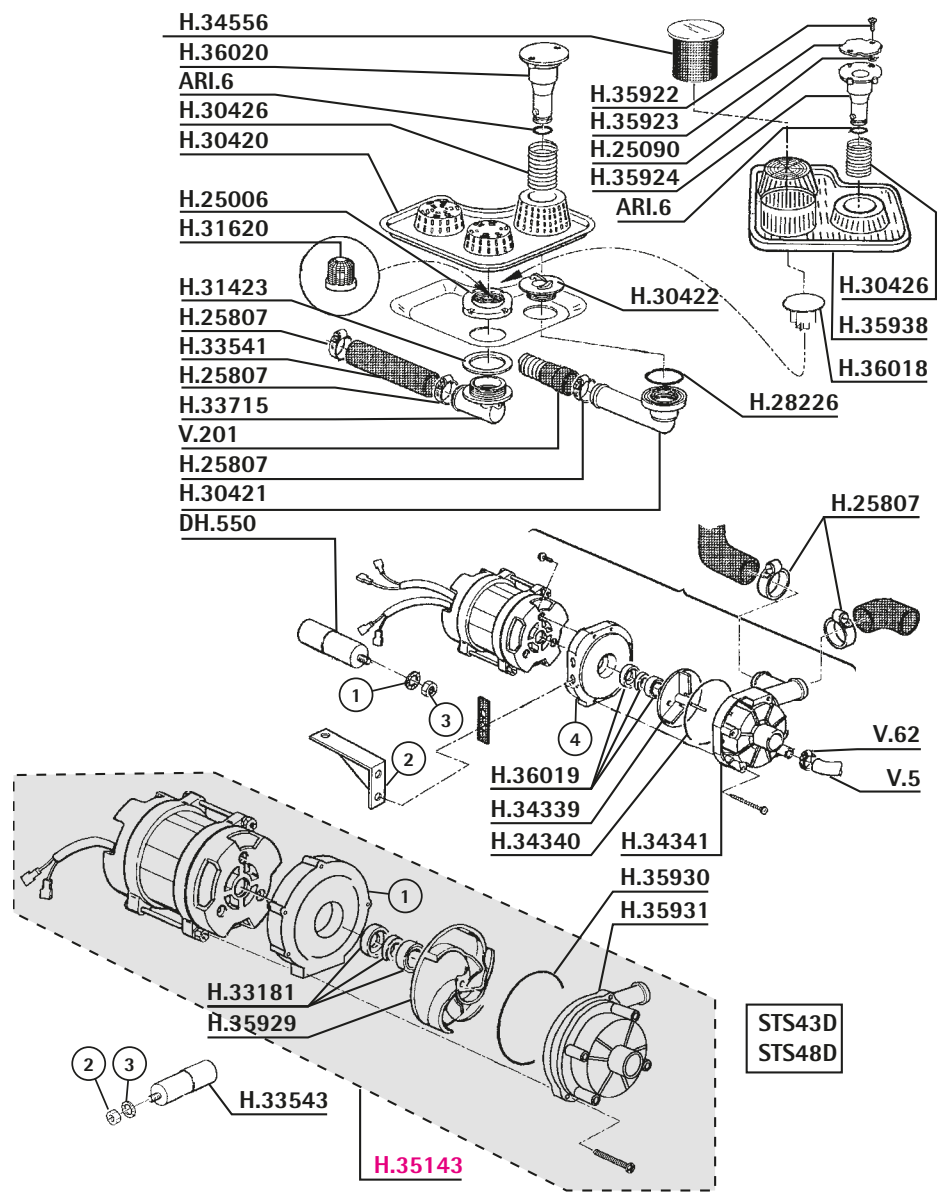
REF.	DESCRIPCIÓN	DESCRIPTION
H34264	SURTIDOR ACLARADO	RINSE SPRAY
H34293	MUELLE	SPRING
H34360	JUNTA TORICA 7 X 1 NBR 70	GASKET
H34383	CASQUILLO	CAP
H35233	RACOR	FITTING
H35996	TUERCA GIRATORIO	GIRATORY NUT
H35998	TUERCA GIRATORIO	GIRATORY NUT
H35999	TORNILLO	SCREW
H36000	TORNILLO FIJACION	SCREW
H36022	BRAZO LAVADO STS43	SYS43 WASHING ARM
H36023	BRAZO LAVADO STS 48	STS48 WASHING ARM
H36024	BRAZO ACLARADO STS43	STS43 RINSE ARM
H36025	BRAZO ACLARADO STS48	STS48 RINSE ARM

If you cannot find the component you are looking for, do contact us. We will help you.

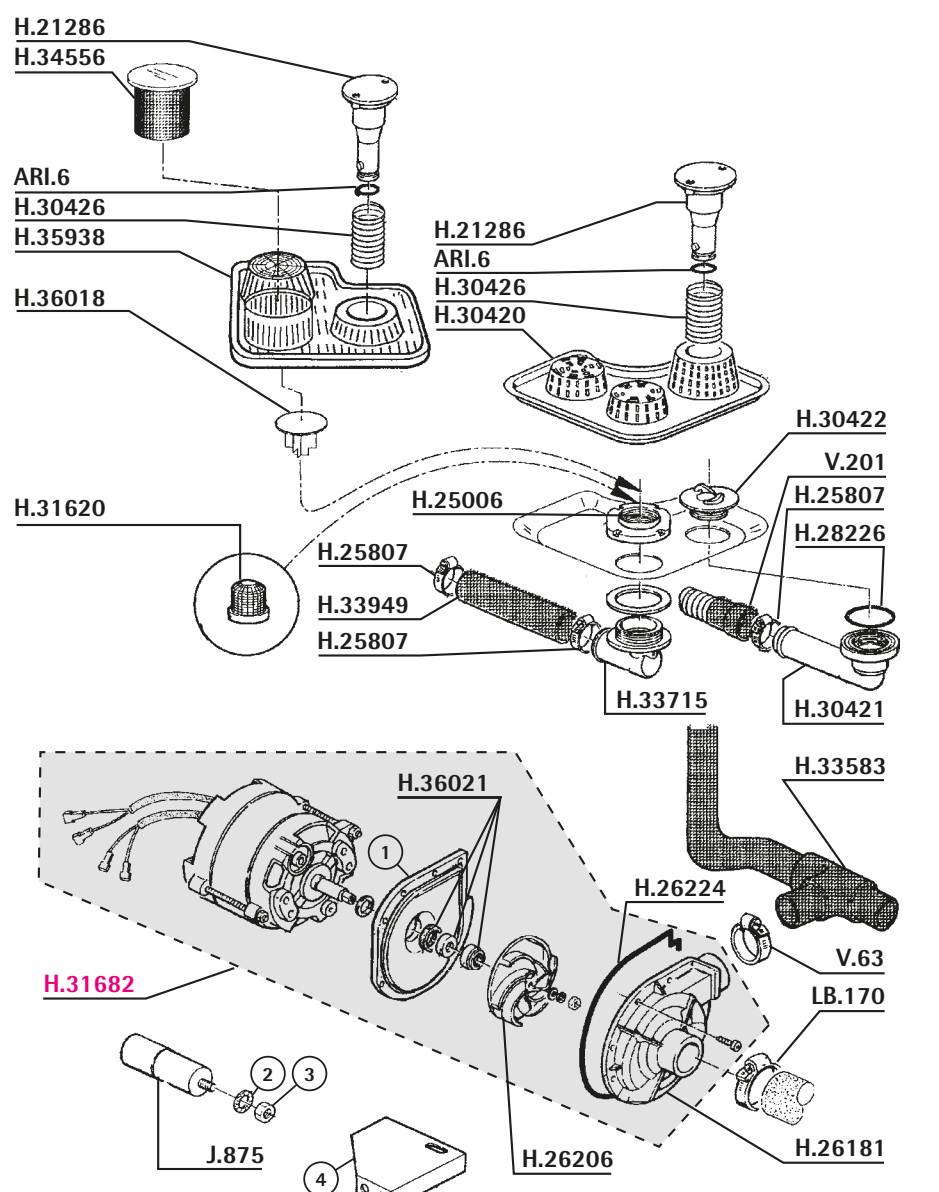


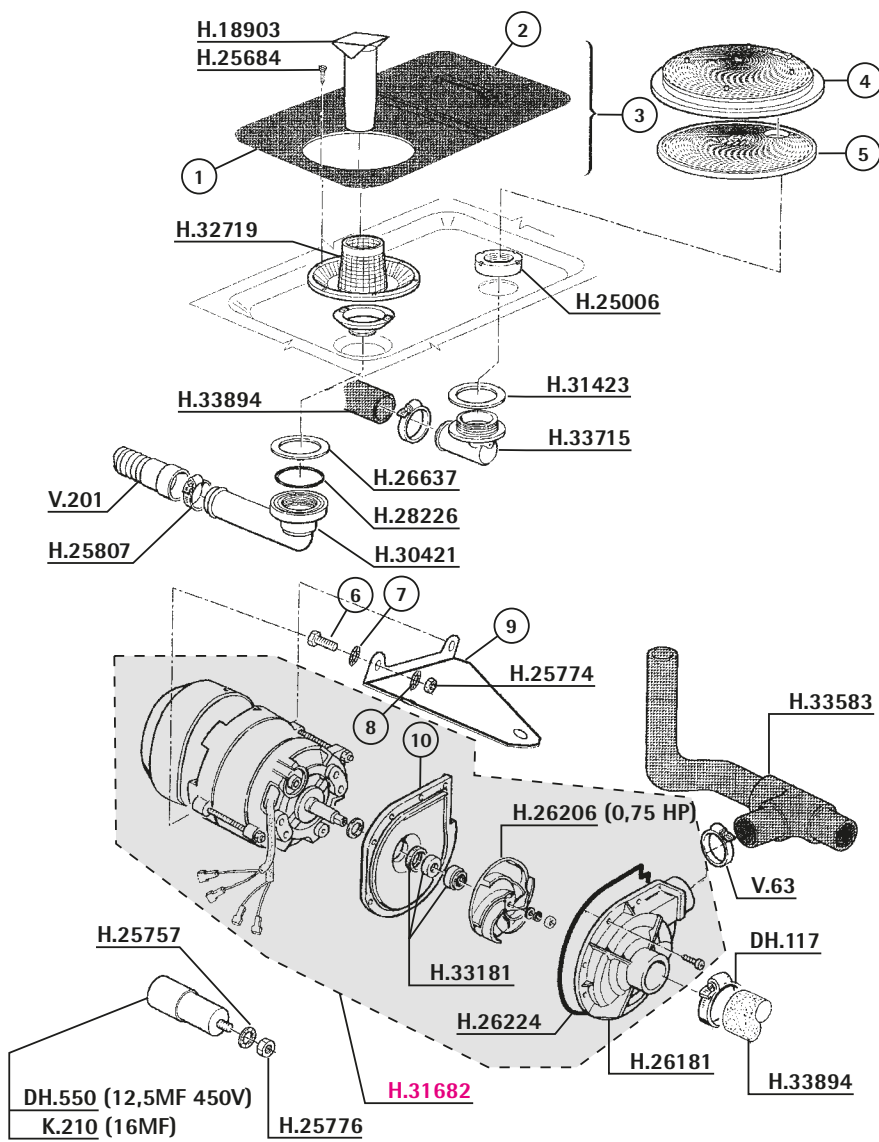
Tel: 93 377 64 11
Fax: 93 377 98 03
ascaso@ascaso.com

REF.	DESCRIPCIÓN	DESCRIPTION
ARI..6	TORICA GOMA	RUBBER RING
DH.550	CONDENSADOR 5MF 450V	5MF 450V CONDENSER
H25006	TUERCA PLASTICO	PLASTIC NUT
H25090	ARANDELA NYLON	NYLON WASHER
H25807	ABRAZADERA 25-40	25-40 CLAMP
H28226	TORICA CIERRE	CLOSING RING
H30420	FILTRO CUBA	TANK FILTER
H30421	CODO DESAGÜE	DRAIN ELBOW
H30422	SOPORTE FILTRO	FILTER SUPPORT
H30426	MUELLE	SPRING
H31423	JUNTA GOMA	RUBBER GASKET
H31620	FILTRO	FILTER
H33181	RETEN BOMBA	MECHANICAL SEAL
H33541	MANGUITO ASPIRACION	SUCTION SLEEVE
H33543	CODENSADOR	CONDENSER
H33715	PIPETA ASPIRACION	SUCTION PIPE
H34339	GIRANTE BOMBA	PUMP GYRATORY
H34340	TORICA TAPA MOTOR GOMA	MOTOR LID RUBBER RING
H34341	TAPA MOTOR	MOTOR LID
H34556	FILTRO SERIE C MODERNO	SERIE C FILTER
H35143	MOTOR C-CR 43/48 3 VIAS	C-CR 43/48 3 WAYS MOTOR
H35922	TORNILLO	SCREW
H35923	TAPA SOBRENIVEL	OVERFLOW LID
H35924	SOBRENIVEL	OVERFLOW
H35929	TURBINA H35143	H35143 TURBINE
H35930	TORICA BOMBA	PUMP GASKET
H35931	TAPA BOMBA	PUMP LID
H35938	FILTRO	FILTER
H36018	ROMPECHORROS	THREAD
H36019	RETEN MOTOR	MECHANICAL SEAL
H36020	REBOSADERO 43/48	OVERFLOW
V....5	TUBO GOMA 10X16 20 ATM	20ATM 10X17 RUBBER PIPE
V..62	ABRAZADERA 12-20	12-20 CLAMP
V..201	TUBO DESAGÜE 28mm. 1,5mt.	28mm. 1.5mt OUTLET PIPE



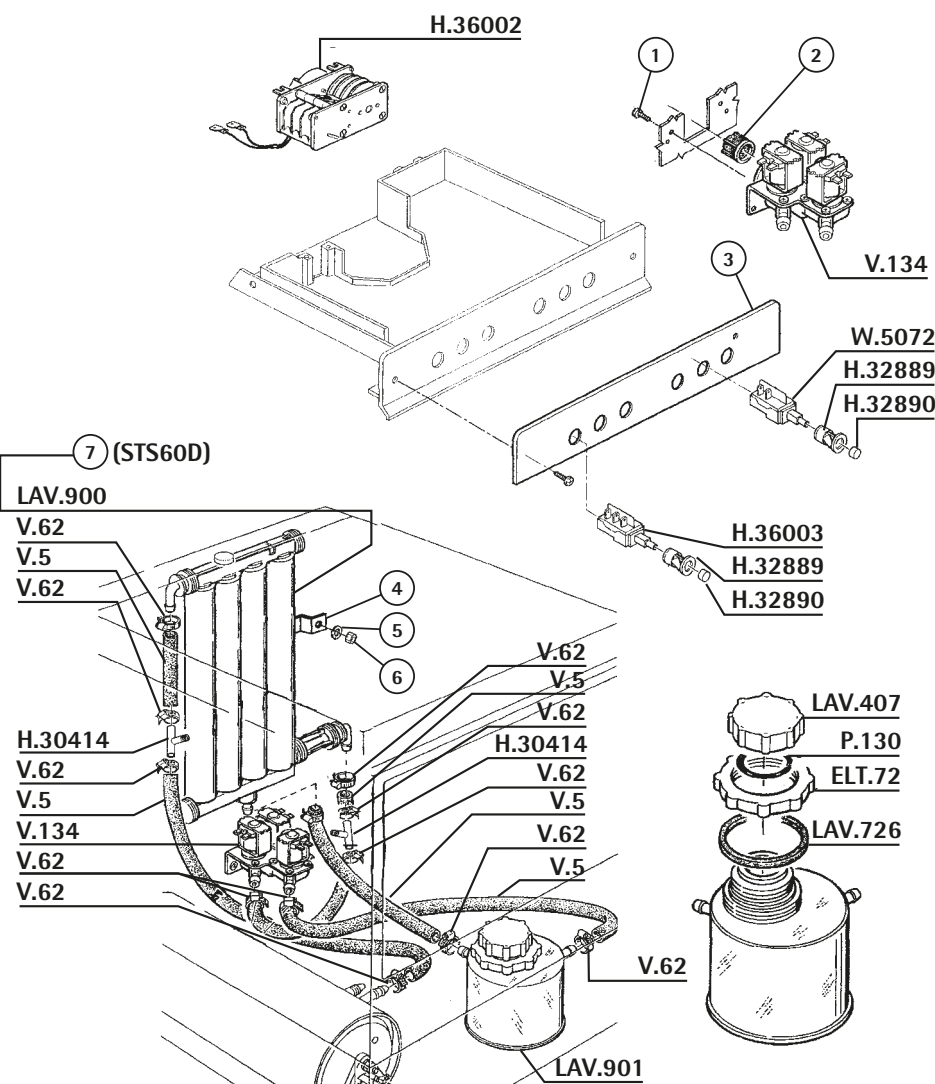
REF.	DESCRIPCIÓN	DESCRIPTION
ARI..6	TORICA GOMA	RUBBER RING
H21286	SOBRENIVEL	OVERFLOW
H25006	TUERCA PLASTICO	PLASTIC NUT
H25807	ABRAZADERA 25-40	25-40 CLAMP
H26181	TAPA BOMBA	MOTOR LID
H26206	TURBINA BOMBA	PUMP TURBINE
H26224	JUNTA TAPA BOMBA GOMA	PUMP COVER RUBBER GASKET
H28226	TORICA CIERRE	CLOSING RING
H30420	FILTRO CUBA	TANK FILTER
H30421	CODO DESAGÜE	DRAIN ELBOW
H30422	SOPORTE FILTRO	FILTER SUPPORT
H30426	MUELLE	SPRING
H31620	FILTRO	FILTER
H31682	MOTOR 0.75 CV C-ST5 53/60	0.75 CV C-ST5 53/60 MOTOR
H33583	MANGUITO SALID.STS-C53/60	STS-C53/60 OUTLET SLEEVE
H33715	PIPETA ASPIRACION	SUCTION PIPE
H33949	MANGUITO ASPIRACION	SUCTION SLEEVE
H34556	FILTRO SERIE C MODERNO	SERIE C FILTER
H35938	FILTRO	FILTER
H36018	ROMPECHORROS	THREAD
H36021	RETEN MOTOR	MECHANICAL SEAL
J..875	CONDENSADOR 12,5 NF 450 V AC 5	12,5 NF 450 V AC 50 HZ CONDENS
LB.170	ABRAZADERA 40-60	40-60 CLAMP
V..63	ABRAZADERA 20-32	20-32 CLAMP
V..201	TUBO DESAGÜE 28mm. 1,5mt.	28mm. 1.5mt OUTLET PIPE





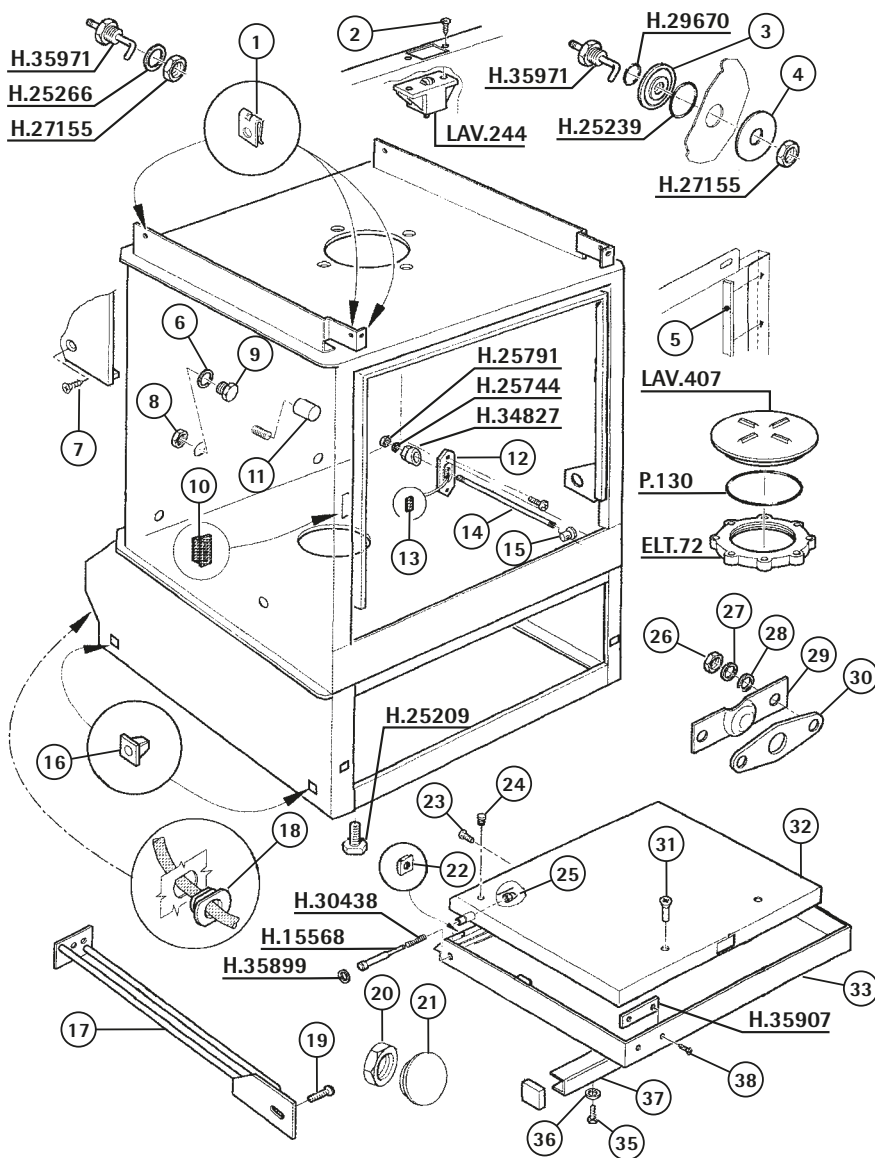
REF.	DESCRIPCIÓN	DESCRIPTION
DH.117	ABRAZADERA 46-70	46-70 CLAMP
DH.550	CONDENSADOR 5MF 450V	5MF 450V CONDENSER
H18903	SOBRENIVEL C-ST5 60	C-ST5 60 OVERFLOW
H25006	TUERCA PLASTICO	PLASTIC NUT
H25684	TORNILLO	SCREW
H25757	ARANDELA	WASHER
H25774	TUERCA	NUT
H25776	TUERCA INOX	INOX NUT
H25807	ABRAZADERA 25-40	25-40 CLAMP
H26181	TAPA BOMBA	MOTOR LID
H26206	TURBINA BOMBA	PUMP TURBINE
H26224	JUNTA TAPA BOMBA GOMA	PUMP COVER RUBBER GASKET
H26637	JUNTA PILETA GOMA	RUBBER GASKET
H28226	TORICA CIERRE	CLOSING RING
H30421	CODO DESAGÜE	DRAIN ELBOW
H31423	JUNTA GOMA	RUBBER GASKET
H31682	MOTOR 0,75HP	0,75HP MOTOR
H32719	FILTRO PLASTICO	PLASTIC FILTER
H33181	RETEN BOMBA	MECHANICAL SEAL
H33583	MANGUITO SALID.STS-C53/60	STS-C53/60 OUTLET SLEEVE
H33715	PIPETA ASPIRACION	SUCTION PIPE
H33894	MANGUITO ASPIRACION	SUCTION SLEEVE
K..210	CONDENSADOR 16 MF. 220V	16 MF. 220V CONDENSER
V...63	ABRAZADERA 20-32	20-35 CLAMP
V.201	TUBO DESAGÜE 28mm. 1,5mt.	28mm. 1.5mt OUTLET PIPE

Depurador STS53 - STS60 ■ STS53 - STS60 Purifier

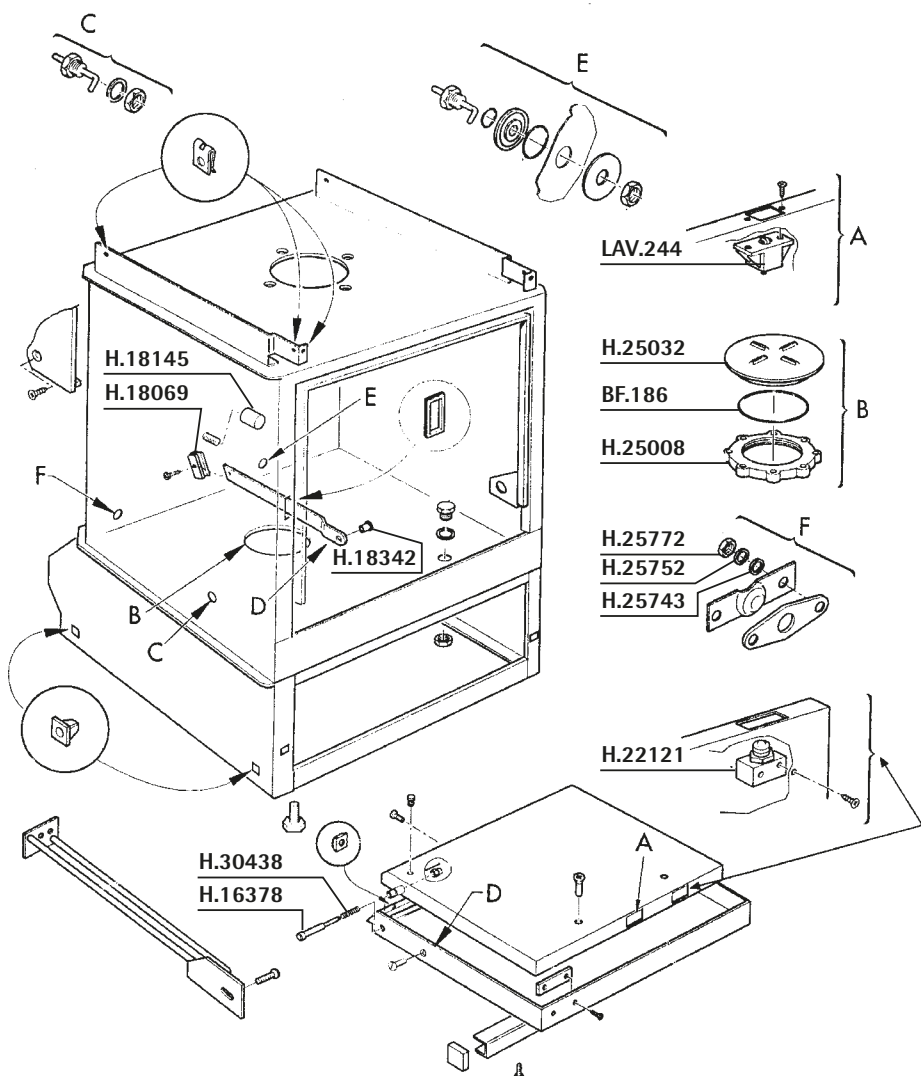


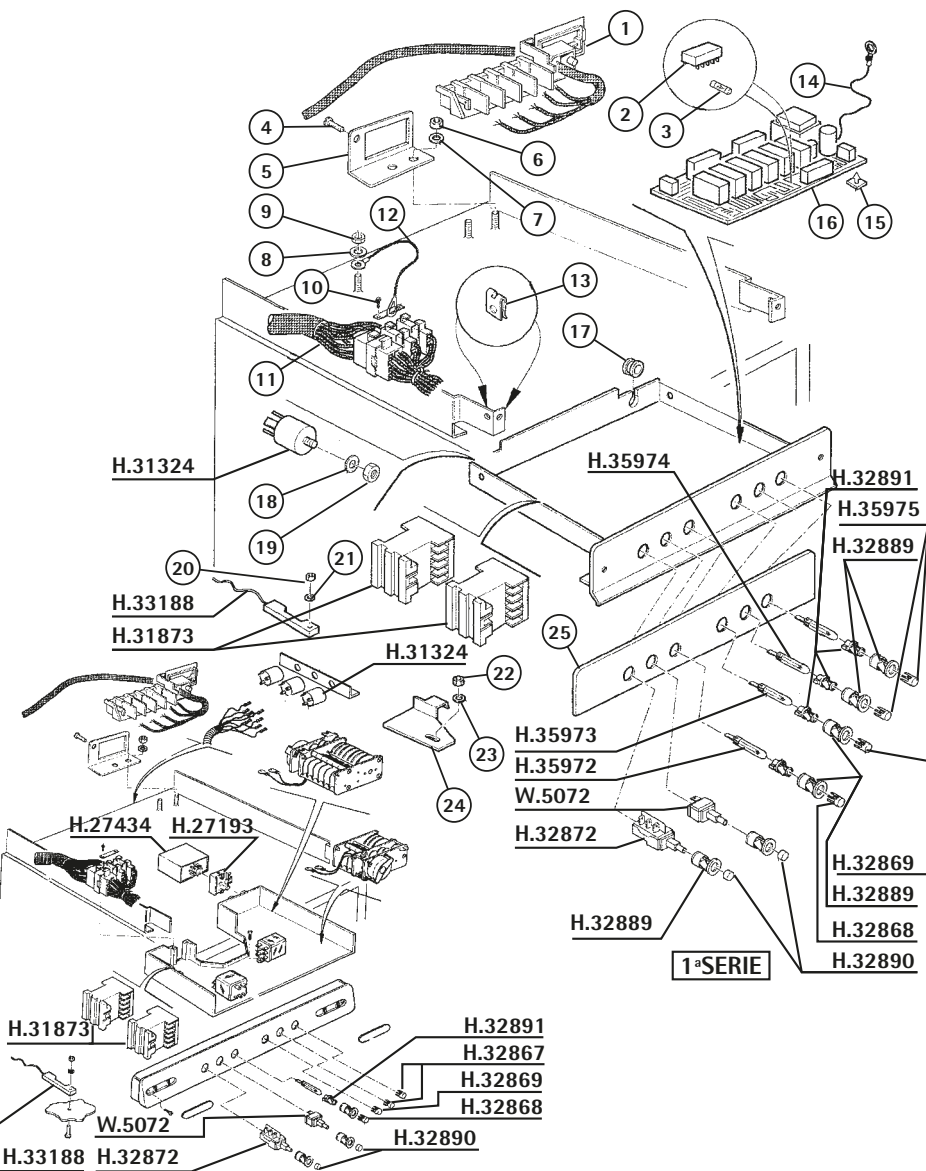
REF.	DESCRIPCIÓN	DESCRIPTION
ELT.72	RACOR DEPOSITO SAL	FITTING SALT CONTAINER
H30414	RACOR EMPALME	UNION FITTING
H32889	SOPORTE PLASTICO GRIS	SUPPORT
H32890	BOTON PULSADOR	PUSH-BUTTON
H36002	PROGRAMADOR STS 43/48	STS 43/48 TIMER
H36003	INTERRUPTOR	SWITCH
LAV407	TAPON DEPOSITO SAL	SALT TANK CAP
LAV726	JUNTA GOMA BOTELLA SAL	BOTTLE SALT RUBBER GASKET
LAV900	DEPURADOR LAVATAZAS	WASHING CUP PURIFIER
LAV901	DEPOSITO SAL COMPLETO	SALT CONTAINER
P.130	TORICA EPDM	RING
V...5	TUBO GOMA 10X16 20 ATM	20ATM 10X17 RUBBER PIPE
V...62	ABRAZADERA 12-20	12-20 CLAMP
V.134	ELECTROVAL.3VIA LAV.220V	WASH 3 WAYS 220V SOLENOID
W.5072	PULSANTE	PUSH-BUTTON

REF.	DESCRIPCIÓN	DESCRIPTION
ELT.72	RACOR DEPOSITO SAL	FITTING SALT CONTAINER
H15568	PERNO	PIN
H25209	PIE MAQUINA	MACHINE FOOT
H25239	TORICA CIERRE	CLOSING RING
H25266	JUNTA PLANA GOMA	FLAT RUBBER GASKET
H25744	ARANDELA	WASHER
H25791	TUERCA AUTOBLOCANTE	AUTOBLOC NUT
H27155	TUERCA	NUT
H29670	TORICA	RING
H30438	MUELLE CIERRE PUERTA	CLOSING SPRING
H34827	TOPE	STOP
H35899	ARANDELA	WASHER
H35907	IMAN	AIMANT
H35971	SONDA	PROBE
LAV244	CIERRE PUERTA	CLOSING DOOR
LAV407	TAPON DEPOSITO SAL	SALT TANK CAP
P.130	TORICA EPDM	RING



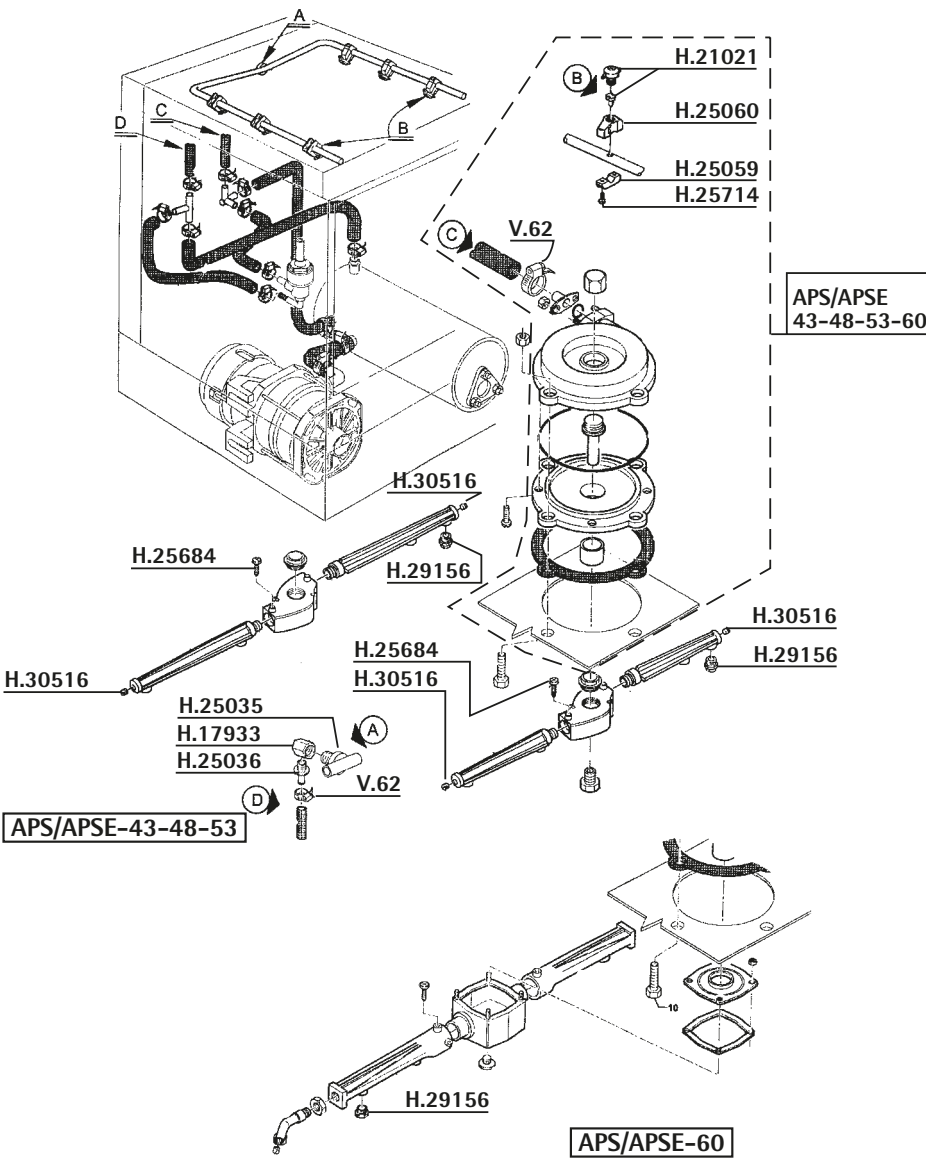
REF.	DESCRIPCIÓN	DESCRIPTION
BF.186	TORICA CALDERA GOMA	RUBBER RING
H16378	EJE PUERTA	DOOR ROD
H18069	TOPE BISAGRA	HINGE STOP
H18145	EMPUJADOR CESTO	BASKET PUSH
H18342	CASQUILLO	CAP
H22121	CIERRE PUERTA	CLOSING DOOR
H25008	TUERCA PLASTICO	NUT
H25032	TAPON	CAP
H25743	ARANDELA	WASHER
H25752	ARANDELA	WASHER
H25772	TUERCA	NUT
H30438	MUELLE CIERRE PUERTA	CLOSING SPRING
LAV244	CIERRE PUERTA	CLOSING DOOR





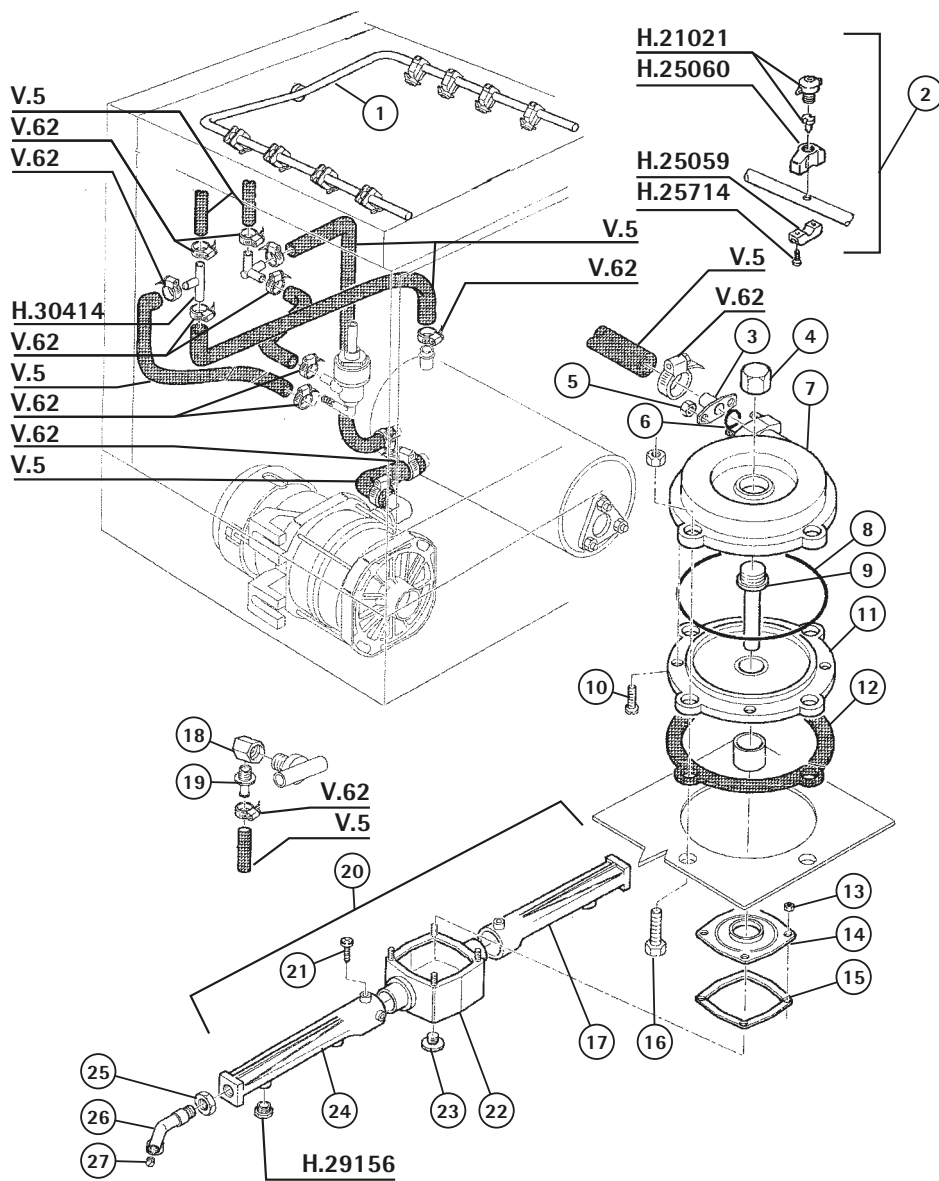
REF.	DESCRIPCIÓN	DESCRIPTION
H27193	ZOCALO CENTRALITA	ELECTRONIC BOX BASE RELAY
H27434	CENTRALITA NIVEL	LEVEL BOX
H31324	FILTRO ANTIPARASITO	FILTER
H31873	CONTACTOR	CONTACTOR
H32867	FUNDA PILOTO	LAMP COVER
H32868	PILOTO VERDE	GREEN WARNING LAMP
H32869	PILOTO NARANJA	ORANGE WARNING LAMP
H32872	INTERRUPTOR	SWITCH
H32889	SOPORTE PLASTICO GRIS	SUPPORT
H32890	BOTON PULSADOR	PUSH-BUTTON
H32891	SOPORTE PILOTO	LAMP SUPPORT
H33188	MICRO	MICRO
H35972	PILOTO VERDE	GREEN PILOT
H35973	PILOTO NARANJA	ORANGE PILOT
H35974	PILOTO ROJO	RED PILOT
H35975	TAPON PILOTO VERDE	GREEN PILOT COVER
W.5072	PULSANTE	PUSH-BUTTON

Lavado superior APS / APSE 43-48-53-60 Antiguo ■ Old APS / APSE 43-48-53-60 Upper Wash

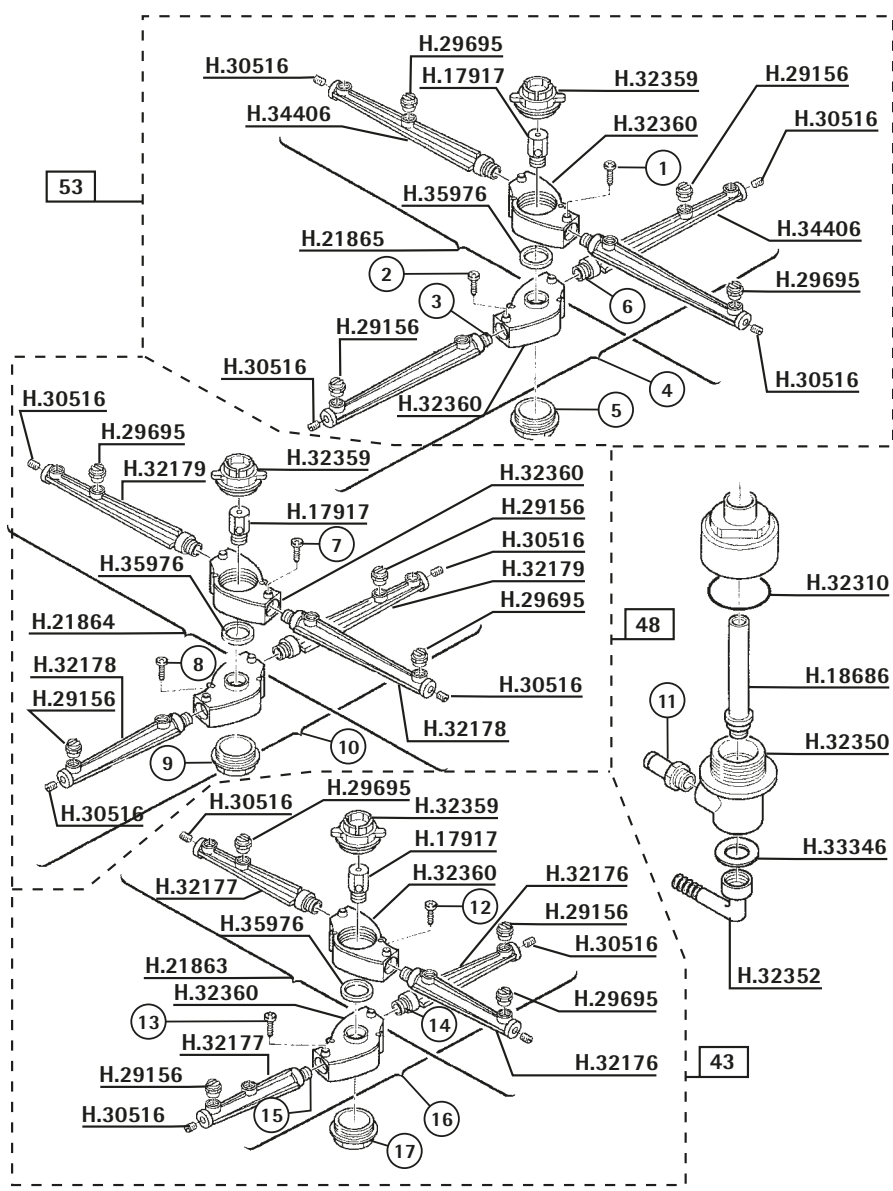


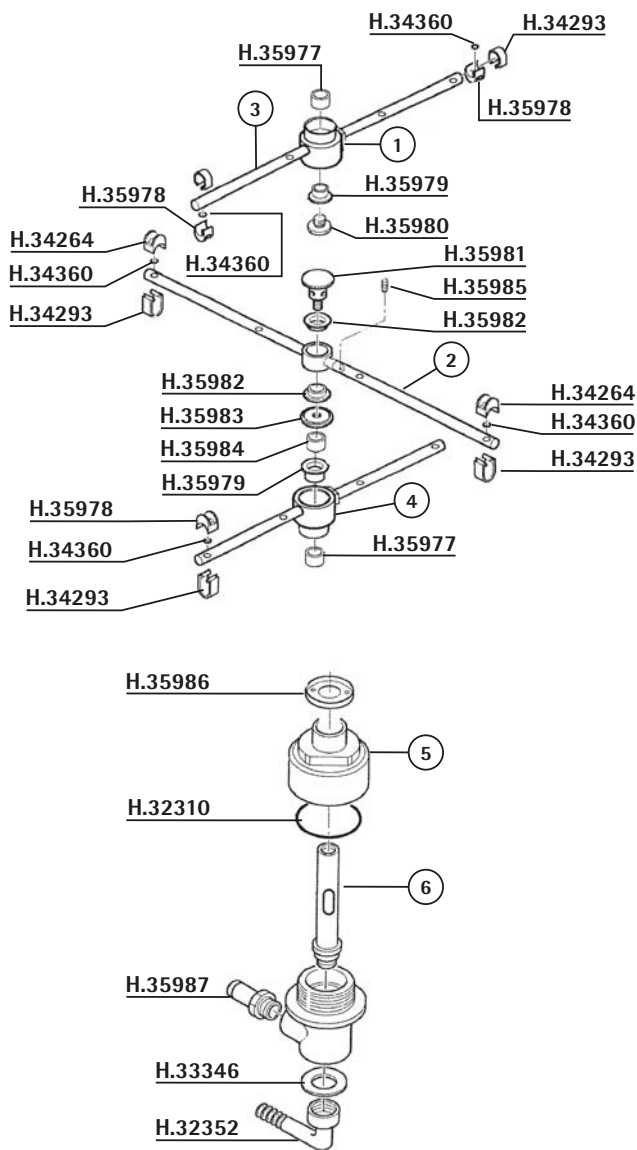
REF.	DESCRIPCIÓN	DESCRIPTION
H17933	RACOR EMPALME	UNION FITTING
H21021	RACOR ACLARADO	RINSE FITTING
H25035	"T"ACLARADO	CLEAR UNION
H25036	RACOR CODO	FITTING
H25059	BRIDA INFERIOR ROCIADOR	LOWER CLASP
H25060	BRIDA SUPERIOR ROCIADOR	UPPER CLASP
H25684	TORNILLO	SCREW
H25714	TORNILLO INOX	INOX SCREW
H29156	SURTIDOR DE LAVADO	WASH SPRAY
H30516	TAPON BRAZO ACLARADO	CLEAR ARM CAP
V...62	ABRAZADERA 12-20	12-20 CLAMP

REF.	DESCRIPCIÓN	DESCRIPTION
H21021	RACOR ACLARADO	RINSE FITTING
H25059	BRIDA INFERIOR ROCIADOR	LOWER CLASP
H25060	BRIDA SUPERIOR ROCIADOR	UPPER CLASP
H25714	TORNILLO INOX	INOX SCREW
H29156	SURTIDOR DE LAVADO	WASH SPRAY
H30414	RACOR EMPALME	UNION FITTING
V...5	TUBO GOMA 10X16 20 ATM	20ATM 10X17 RUBBER PIPE
V...62	ABRAZADERA 12-20	12-20 CLAMP



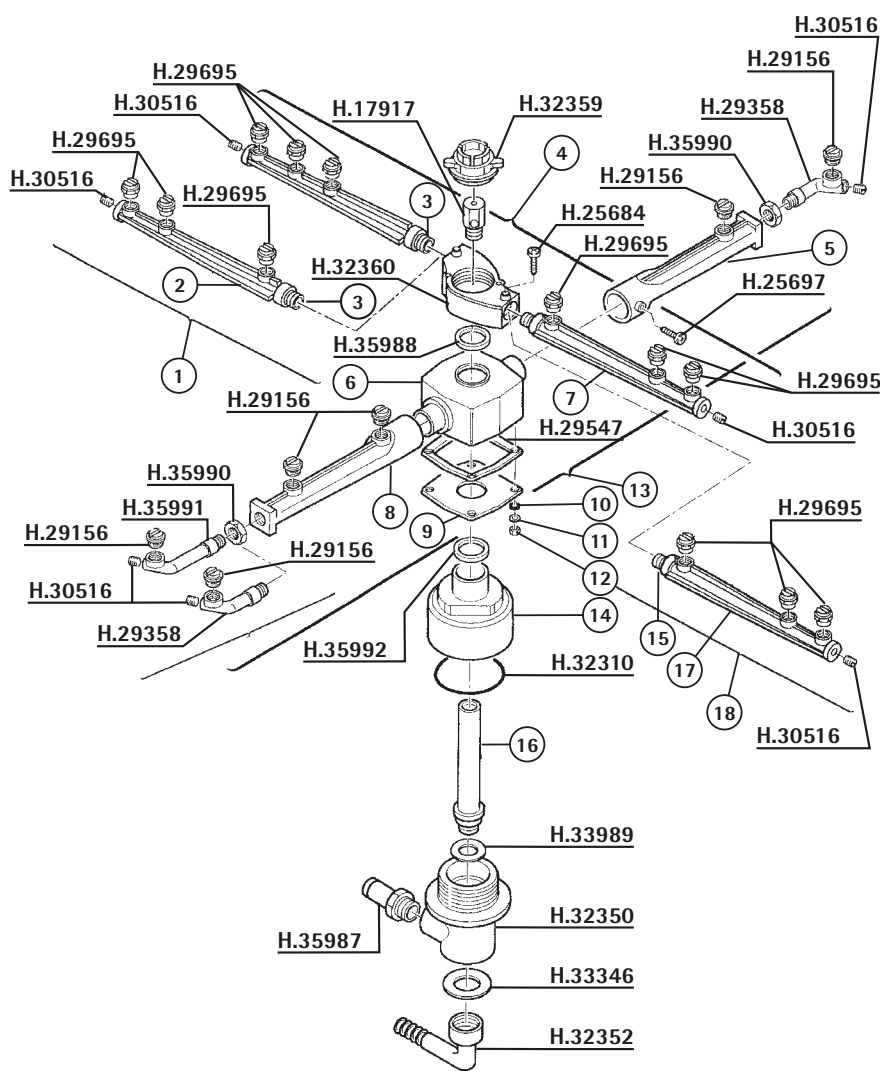
REF.	DESCRIPCIÓN	DESCRIPTION
H17917	TUERCA	NUT
H18686	EJE	ROD
H21863	ASTA ACLARADO C-3 STS-43	C-3 STS-43 RINSE ARM
H21864	ASTA ACLARADO C-4 STS-48	C-4 STS-48 RINSE ARM
H21865	ASTA ACLARADO STS 53-60	STS 53-60 RINSE ARM
H29156	SURTIDOR DE LAVADO	WASH SPRAY
H29695	ROCIADOR ACLARADO	RINSE SPRAY
H30516	TAPON BRAZO ACLARADO	CLEAR ARM CAP
H32176	BRAZO DERECHO	RIGHT ARM
H32177	BRAZO IZQUIERDO	LEFT ARM
H32178	BRAZO IZQUIERDO	LEFT ARM
H32179	BRAZO DERECHO	RIGHT ARM
H32310	TORICA GOMA NBR	RING
H32350	GRUPO CENTRAL	CENTRAL GROUP
H32352	CODO LATON	BRASS ELBOW
H32359	TAPON ASTA	ARM CAP
H32360	CUERPO ASTA ACLARADO	WASHING ARM BODY
H33346	DISCO GRUPO CENTRAL	CENTRAL GROUP DISK
H34406	BRAZO IZQUIERDO	LEFT ARM
H35976	JUNTA	GASKET





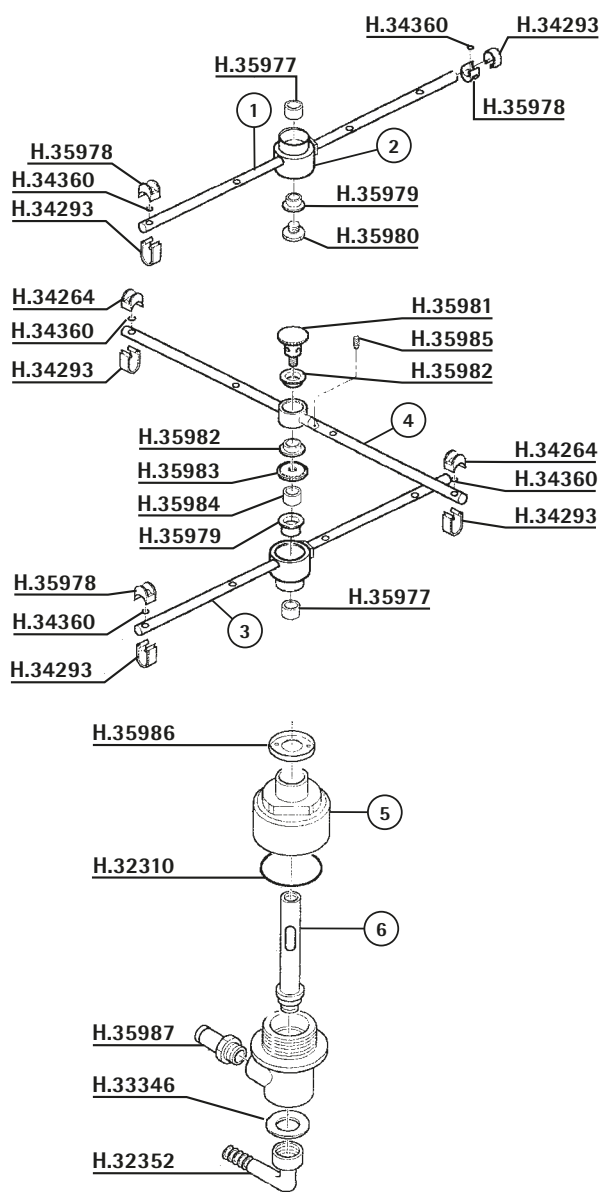
REF.	DESCRIPCIÓN	DESCRIPTION
H32310	TORICA GOMA NBR	RING
H32352	CODO LATON	BRASS ELBOW
H33346	DISCO GRUPO CENTRAL	CENTRAL GROUP DISK
H34264	SURTIDOR ACLARADO	RINSE SPRAY
H34293	MUELLE	SPRING
H34360	JUNTA TORICA 7 X 1 NBR 70	GASKET
H35977	CASQUILLO	CAP
H35978	ROCIADOR	SPRAY
H35979	CASQUILLO	CAP
H35980	TORNILLO	SCREW
H35981	TORNILLO	SCREW
H35982	ADAPTADOR	ADAPTOR
H35983	TUERCA	NUT
H35984	ADAPTADOR	ADAPTOR
H35985	TORNILLO	SCREW
H35986	DISCO ADAPTADOR	ADAPTOR DISK
H35987	RACOR	FITTING

Lavado / Aclarado APS60 ■ APS60 Rinse / Wash 1126

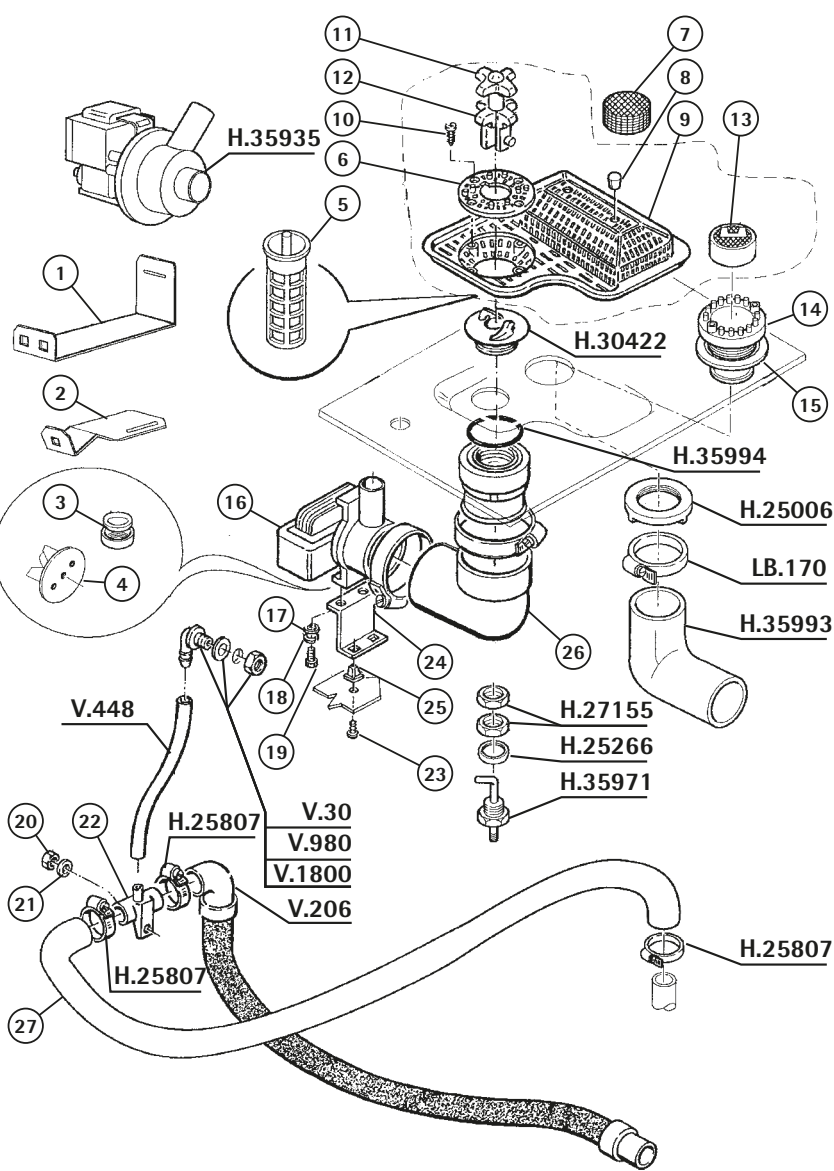


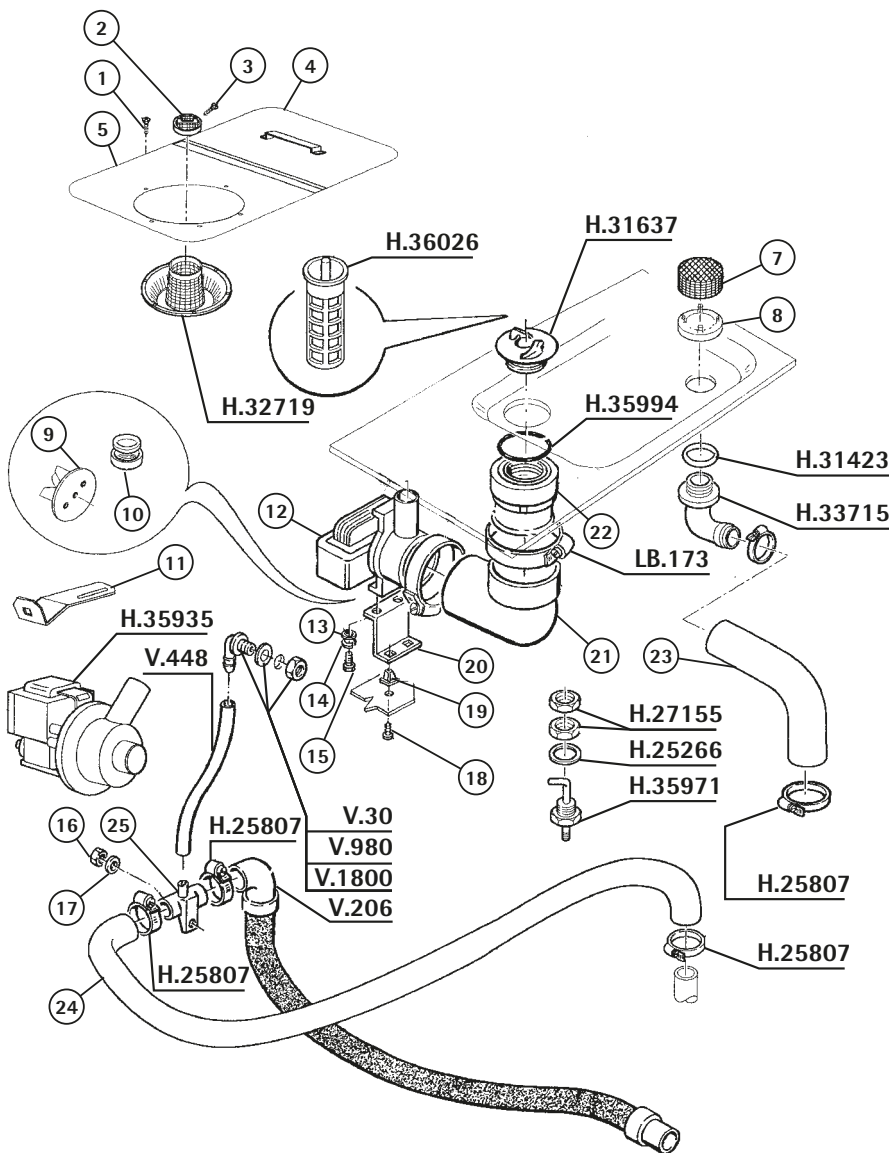
REF.	DESCRIPCIÓN	DESCRIPTION
H17917	TUERCA	NUT
H25684	TORNILLO	SCREW
H25697	TORNILLO	SCREW
H29156	SURTIDOR DE LAVADO	WASH SPRAY
H29358	CODO	ELBOW
H29547	JUNTA CIERRE ALIMENTARIA	CLOSING ALIMENTARY GASKET
H29695	ROCIADOR ACLARADO	RINSE SPRAY
H30516	TAPON BRAZO ACLARADO	CLEAR ARM CAP
H32310	TORICA GOMA NBR	RING
H32350	GRUPO CENTRAL	CENTRAL GROUP
H32352	CODO LATON	BRASS ELBOW
H32359	TAPON ASTA	ARM CAP
H32360	CUERPO ASTA ACLARADO	WASHING ARM BODY
H33346	DISCO GRUPO CENTRAL	CENTRAL GROUP DISK
H33989	JUNTA	GASKET
H35987	RACOR	FITTING
H35988	JUNTA	GASKET
H35990	TUERCA	NUT
H35991	CODO	ELBOW
H35992	JUNTA	GASKET

REF.	DESCRIPCIÓN	DESCRIPTION
H32310	TORICA GOMA NBR	RING
H32352	CODO LATON	BRASS ELBOW
H33346	DISCO GRUPO CENTRAL	CENTRAL GROUP DISK
H34264	SURTIDOR ACLARADO	RINSE SPRAY
H34293	MUELLE	SPRING
H34360	JUNTA TORICA 7 X 1 NBR 70	GASKET
H35977	CASQUILLO	CAP
H35978	ROCIADOR	SPRAY
H35979	CASQUILLO	CAP
H35980	TORNILLO	SCREW
H35981	TORNILLO	SCREW
H35982	ADAPTADOR	ADAPTOR
H35983	TUERCA	NUT
H35984	ADAPTADOR	ADAPTOR
H35985	TORNILLO	SCREW
H35986	DISCO ADAPTADOR	ADAPTOR DISK
H35987	RACOR	FITTING



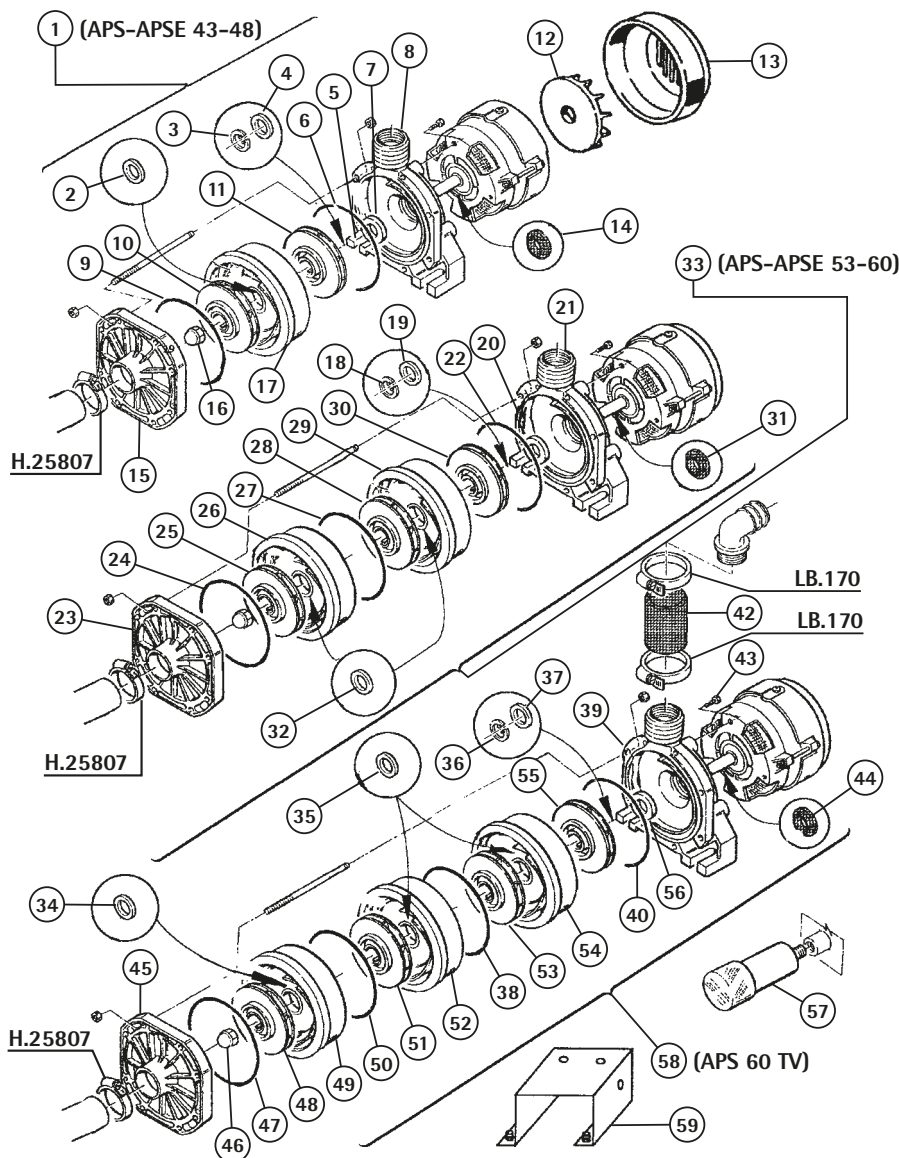
REF.	DESCRIPCIÓN	DESCRIPTION
H25006	TUERCA PLASTICO	PLASTIC NUT
H25266	JUNTA PLANA GOMA	FLAT RUBBER GASKET
H25807	ABRAZADERA 25-40	25-40 CLAMP
H27155	TUERCA	NUT
H30422	SOPORTE FILTRO	FILTER SUPPORT
H35935	BOMBA DESAGÜE	DRAIN PUMP
H35971	SONDA	PROBE
H35993	CODO	ELBOW
H35994	JUNTA	GASKET
LB.170	ABRAZADERA 40-60	40-60 CLAMP
V...30	RACOR ENTRADA JABON	INLET SOAP FITTING
V..206	TUBO DESAGÜE CON CODO	WITH ELBOW OUTLET PIPE
V..448	TUBO PRESOSTATO-METRO 4X6	4X6 PRE-SWITCH INLET PIPE
V..980	RACOR ENTRADA JABON LARGO	LONG INLET FITTING
V.1800	RACOR ENTRADA JABON METALICO	METALIC DETER.INLET FITTING





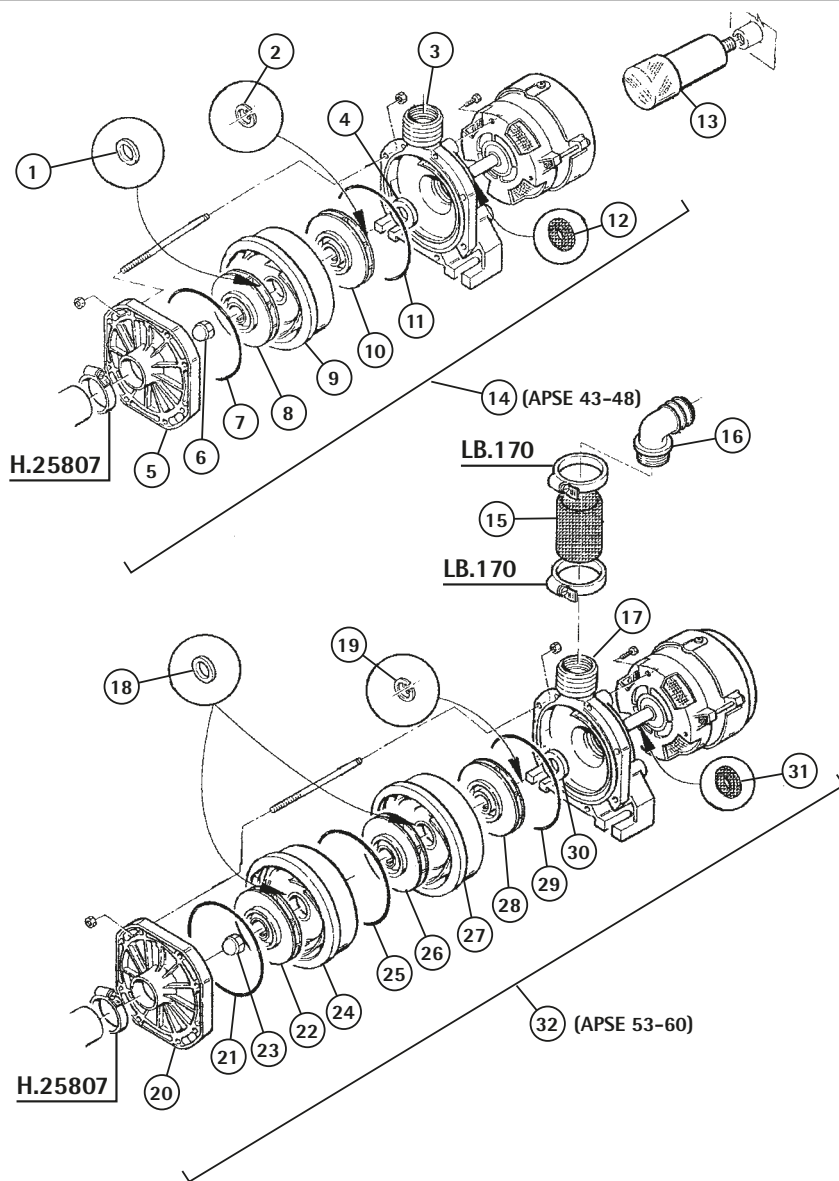
REF.	DESCRIPCIÓN	DESCRIPTION
H25266	JUNTA PLANA GOMA	FLAT RUBBER GASKET
H25807	ABRAZADERA 25-40	25-40 CLAMP
H27155	TUERCA	NUT
H31423	JUNTA GOMA	RUBBER GASKET
H31637	TUERCA	NUT
H32719	FILTRO PLASTICO	PLASTIC FILTER
H33715	PIPETA ASPIRACION	SUCTION PIPE
H35935	BOMBA DESAGÜE	DRAIN PUMP
H35971	SONDA	PROBE
H35994	JUNTA	GASKET
H36026	FILTRO BOMBA	PUMP FILTER
LB.173	ABRAZADERA 60-80	60-80 CLAMP
V...30	RACOR ENTRADA JABON	INLET SOAP FITTING
V..206	TUBO DESAGÜE CON CODO	WITH ELBOW OUTLET PIPE
V..448	TUBO PRESOSTATO-METRO 4X6	4X6 PRE.SWITCH INLET PIPE
V..980	RACOR ENTRADA JABON LARGO	LONG INLET FITTING
V.1800	RACOR ENTRADA JABON METALICO	METALIC DETER.INLET FITTING

Motores APS43 - APS48 - APS53 - APS60 - APS60TV ■ APS43 - APS48 - APS53 - APS60 - APS60TV Motors

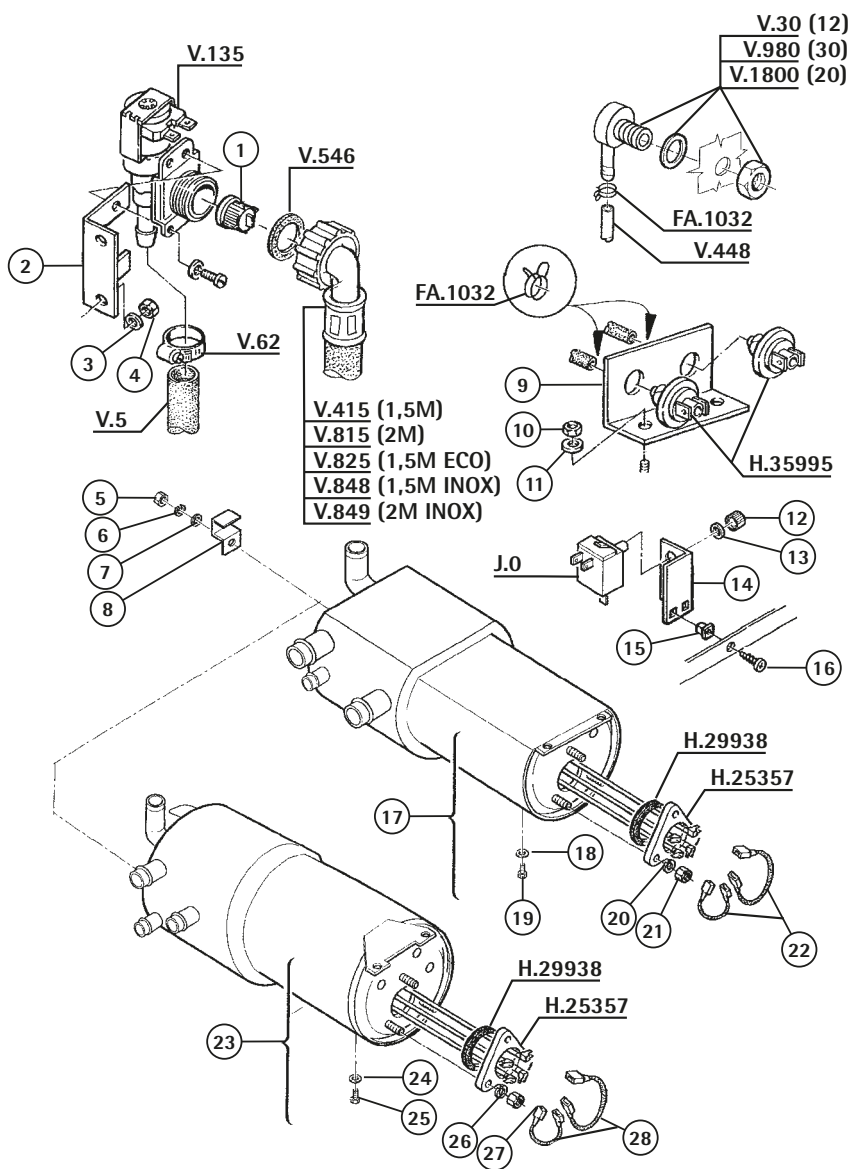


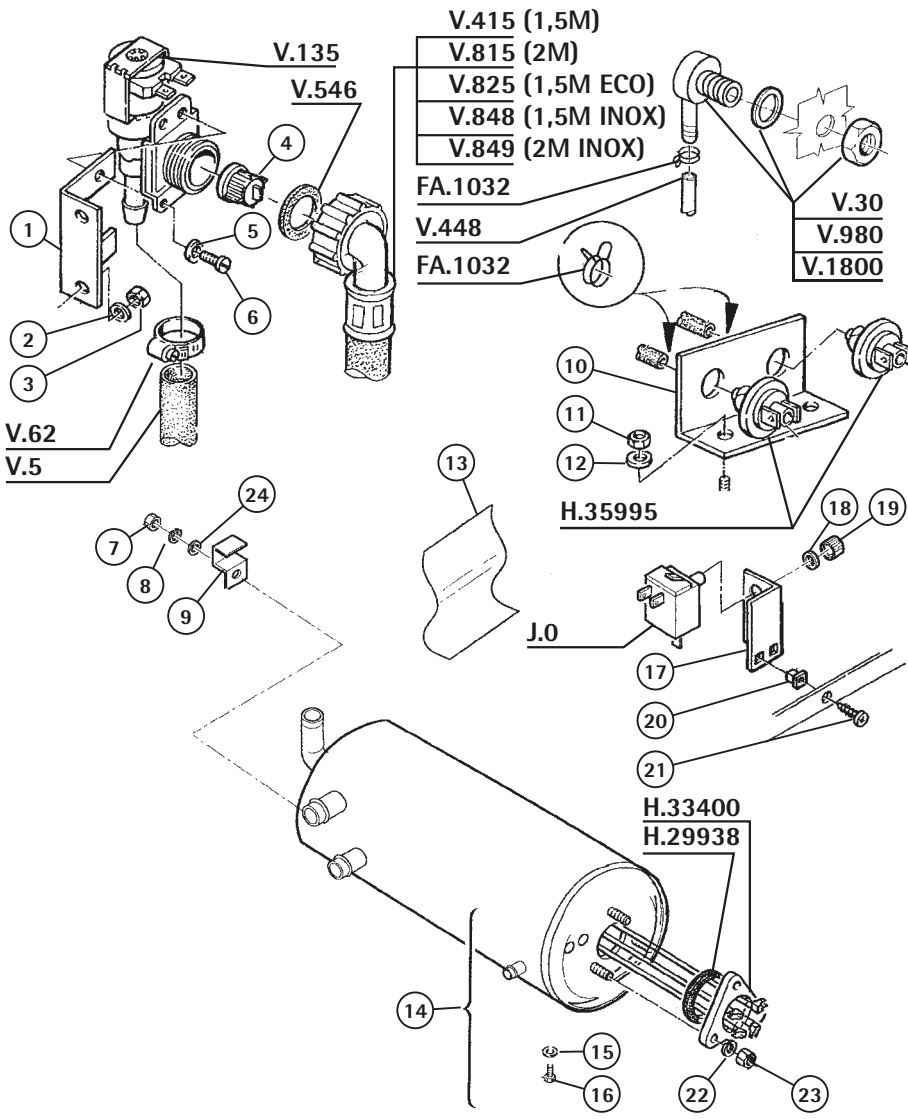
REF.	DESCRIPCIÓN	DESCRIPTION
H25807	ABRAZADERA 25-40	25-40 CLAMP
LB.170	ABRAZADERA 40-60	40-60 CLAMP

REF.	DESCRIPCIÓN	DESCRIPTION
H25807	ABRAZADERA 25-40	25-40 CLAMP
LB.170	ABRAZADERA 40-60	40-60 CLAMP



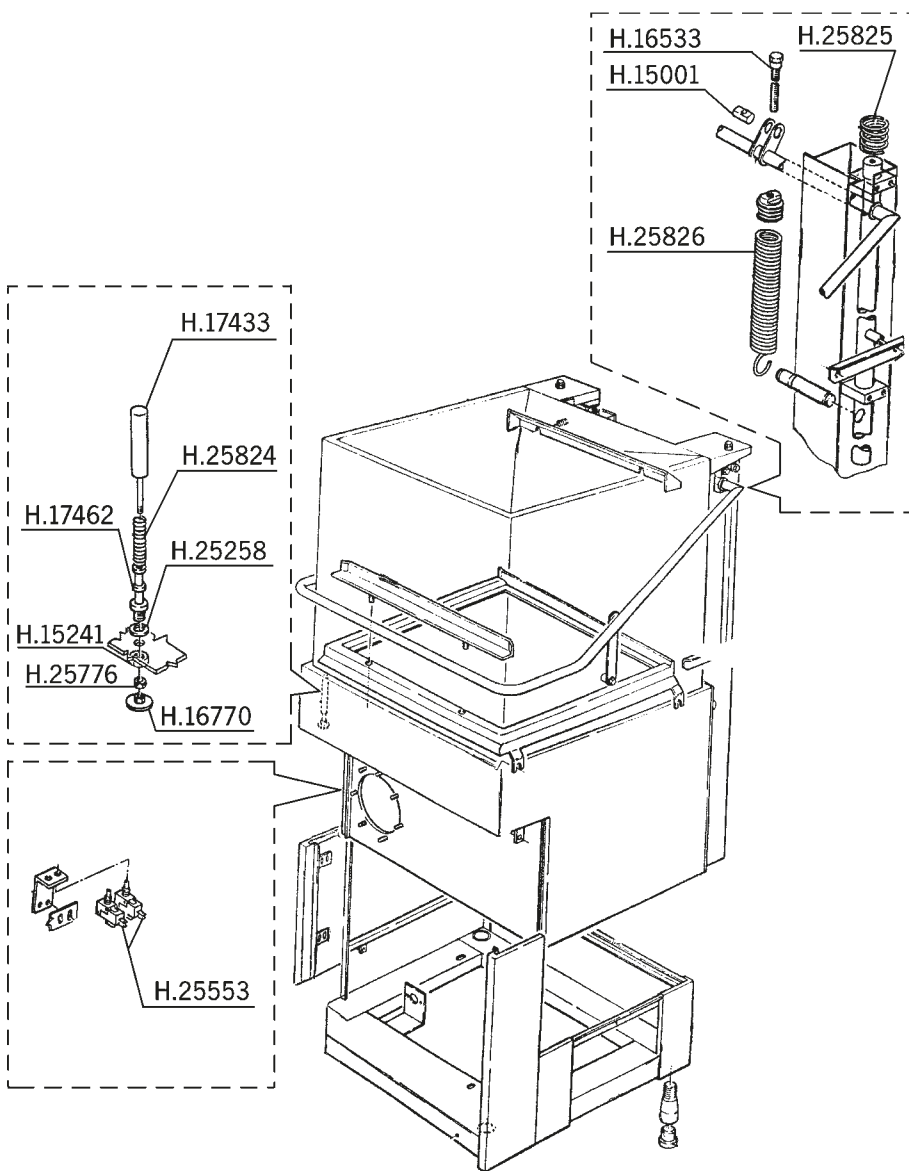
REF.	DESCRIPCIÓN	DESCRIPTION
FA1032	BRIDA	CLASP
H25357	RESISTENCIA 4000W 220V	4000W 220V RESISTANCE
H29938	JUNTA RESIST.TRIANG.GOMA	RESISTANCE RUBBER GASKET
H35995	PRESOSTATO	PRESSURE SWITCH
J...0	TERMOSTATO 0-90°	0-90° THERMOSTAT
V...5	TUBO GOMA 10X16 20 ATM	20ATM 10X17 RUBBER PIPE
V...30	RACOR ENTRADA JABON	INLET SOAP FITTING
V...62	ABRAZADERA 12-20	12-20 CLAMP
V.135	ELECTR.1 VIA SAL.VERTICAL	VERTICAL EXIT 1 WAY SOLEN
V.415	TOMA LAVADORA 1,5M	QUALITY 1.5M.INLET W.FLEX
V.448	TUBO PRESOSTATO-METRO 4X6	4X6 PRE.SWITCH INLET PIPE
V.546	JUNTA GOMA 3/4	WATER INLET RUBBER GASKET
V.815	TOMA LAVADORA 2 METROS	2 MT.INLET WATER FLEXIBLE
V.825	TOMA LAVADORA 1.5 "ECO"	"ECO"1.5M INLET WA.FLEXIB
V.848	TOMA LAVADORA 1.5M INOX	INOX 1.5M INLET WATER FL.
V.849	TOMA LAV.INOX 2MT.3/4X3/4	INOX 2MT.INLET WATER FLE.
V.980	RACOR ENTRADA JABON LARGO	LONG INLET FITTING
V.1800	RACOR ENTRADA JABON METALICO	METALIC DETER.INLET FITTING





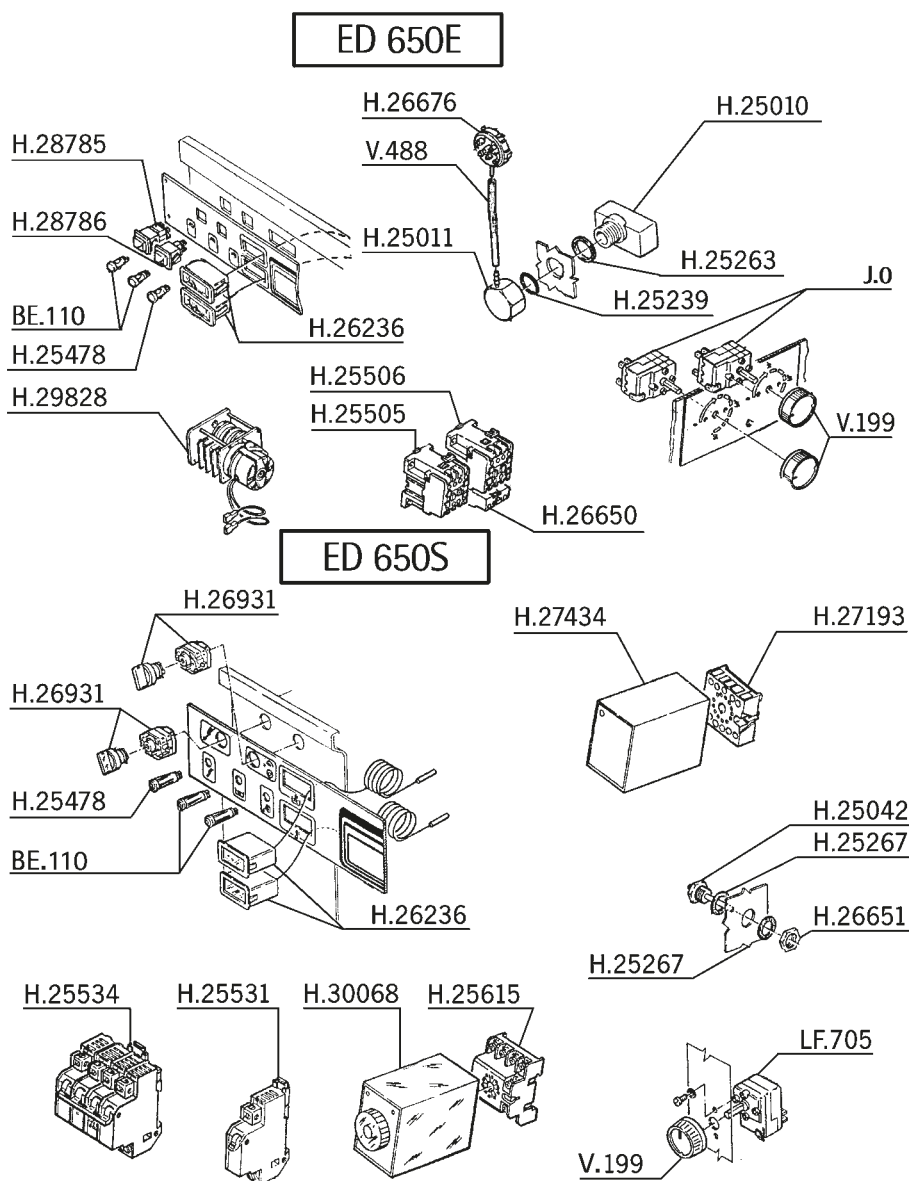
REF.	DESCRIPCIÓN	DESCRIPTION
FA1032	BRIDA	CLASP
H29938	JUNTA RESIST.TRIANG.GOMA	RESISTANCE RUBBER GASKET
H33400	RESIST.6000W 220/380 MOD.	GO TO LAV277
H35995	PRESOSTATO	PRESSURE SWITCH
J....0	TERMOSTATO 0-90°	0-90° THERMOSTAT
V....5	TUBO GOMA 10X16 20 ATM	20ATM 10X17 RUBBER PIPE
V...30	RACOR ENTRADA JABON	INLET SOAP FITTING
V..62	ABRAZADERA 12-20	12-20 CLAMP
V.135	ELECTR.1 VIA SAL.VERTICAL	VERTICAL EXIT 1 WAY SOLEN
V.415	TOMA LAVADORA 1,5M	QUALITY 1.5M.INLET W.FLEX
V.448	TUBO PRESOSTATO-METRO 4X6	4X6 PRE.SWITCH INLET PIPE
V.546	JUNTA GOMA 3/4	WATER INLET RUBBER GASKET
V.815	TOMA LAVADORA 2 METROS	2 MT.INLET WATER FLEXIBLE
V.825	TOMA LAVADORA 1.5 "ECO"	"ECO"1.5M INLET WA.FLEXIB
V.848	TOMA LAVADORA 1.5M INOX	INOX 1.5M INLET WATER FL.
V.849	TOMA LAV.INOX 2MT.3/4X3/4	INOX 2MT.INLET WATER FLE.
V.980	RACOR ENTRADA JABON LARGO	LONG INLET FITTING
V.1800	RACOR ENTRADA JABON METALICO	METALIC DETER.INLET FITTING

Carrocería ED-650S / ED-650E ■ ED-650S / ED-650E Bodywork

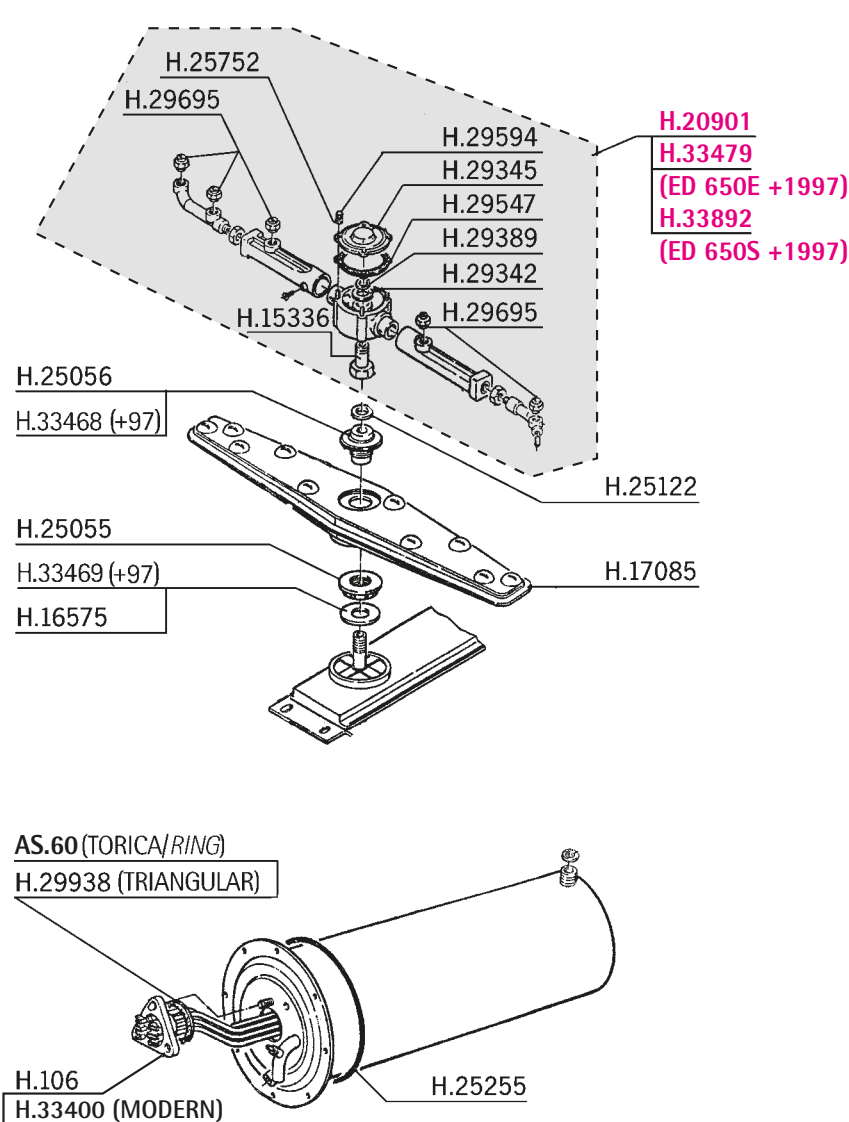


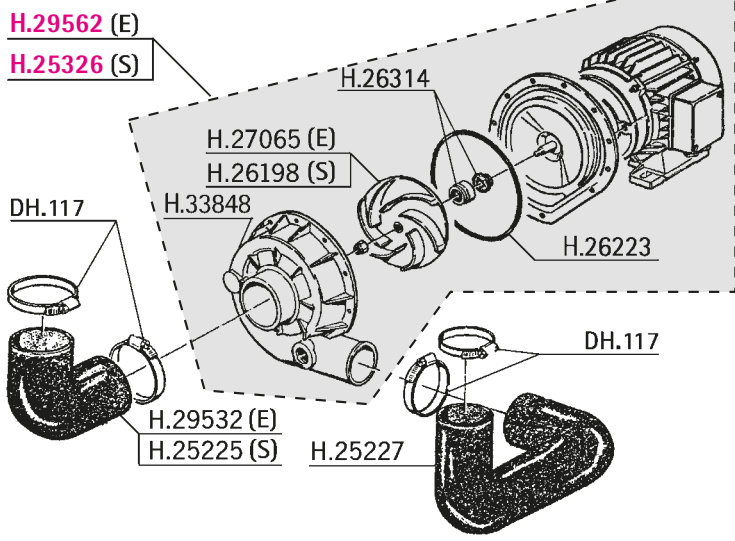
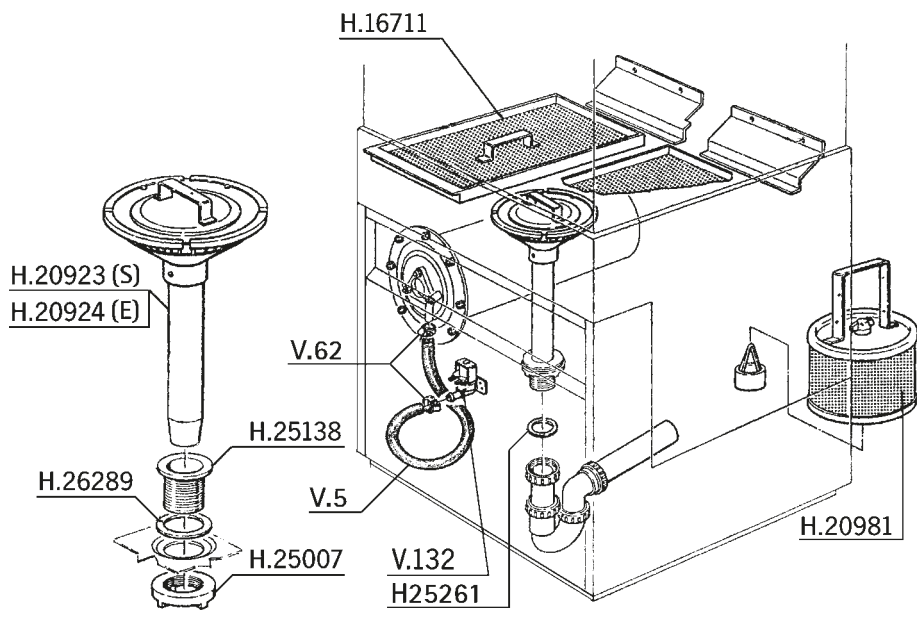
REF.	DESCRIPCIÓN	DESCRIPTION
H15001	PERNO	BOLT
H15241	TUERCA	NUT
H16533	TIRANTE MUELLE	SPRING DRAWER
H16770	PULSADOR MICRO	MICROSWITCH PUSH-BUTTON
H17433	EJE PULSADOR MICRO	MICRO ROD
H17462	GUIA MUELLE	SPRING GUIDE
H25258	JUNTA PLANA GOMA	FLAT RUBBER GASKET
H25553	MICRO PARO 250V 5A	250V 5A MICROSWITCH
H25776	TUERCA INOX	INOX NUT
H25824	MUELLE	SPRING
H25825	MUELLE	SPRING
H25826	MUELLE	SPRING

REF.	DESCRIPCIÓN	DESCRIPTION
BE.110	PILOTO AMBAR 13mm 220V	13mm 220V YELLOW LAMP
H25010	CAMARA PRESOSTATICA	PRESSURE SWITCH CHAMBER
H25011	RACOR PLASTICO	FITTING
H25042	SONDA NIVEL	LEVEL WATER FILLING PROBE
H25239	TORICA CIERRE	CLOSING RING
H25263	JUNTA CIERRE GOMA	CLOSING RUBBER GASKET
H25267	JUNTA GOMA	RUBBER GASKET
H25478	PILOTO ROJO 13MM 220V	13mm 220 RED WARNING LAMP
H25505	CONTACTOR 11BF9	11BF9 CONTACTOR
H25506	CONTACTOR CN-9	CN-9 CONTACTOR
H25531	CONTACTOR PIA	CONTACTOR
H25534	MAGNETOTERMICO 32A	CONTACTOR
H25615	BASE RELE	TIMER RELAY BASE
H26236	TERMOMETRO 0/120° C	THERMOMETER
H26650	RELE TERMICO	THERMIC RELAY
H26651	TUERCA "T" ACLARADO	T CLEAR NUT
H26676	PRESOSTATO SAL.HOR.150/75	PRESSURE SWITCH
H26931	INTERRUPTOR	SWITCH
H27193	ZOCALO CENTRALITA	ELECTRONIC BOX BASE RELAY
H27434	CENTRALITA NIVEL	LEVEL BOX
H28785	INTERRUPTOR ACLARADO	RINSE SWITCH
H28786	INTERRUPTOR NEGRO	BLACK SWITCH
H29828	TEMPORIZADOR	TIMER
H30068	TEMPORIZADOR	TIMER
J...0	TERMOSTATO 0-90°	0-90° THERMOSTAT
LF.705	TERMOSTATO 90° BULBO 3mt.	90° BULB 3m THERMOSTAT
V..199	MANDO TERMOSTATO 200°	200° THERMOSTAT HANDLE
V.488	TUERCA M-8	M-8 NUT



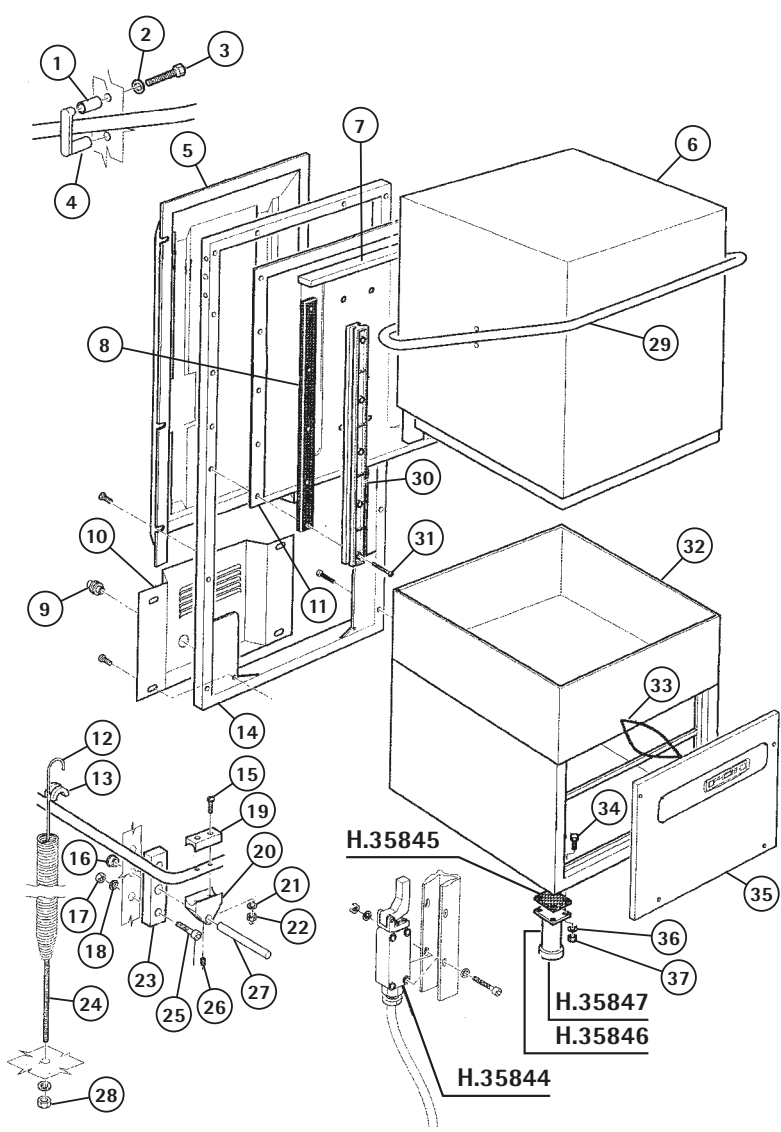
REF.	DESCRIPCIÓN	DESCRIPTION
AS..60	TORICA GOMA EPDM	RUBBER RING
H..106	RESIST.6000W 230/400V ANT.	OLD RESIST.6000W 230/400V
H15336	PERNO	BOLT
H16575	ARANDELA	WASHER
H17085	ASTA LAVADO INFERIOR	LOWER WASHING ARM
H20901	ASTA ACLARADO	RINSE ARM
H25055	TUERCA PERNO ASTA LAVADO	NUT
H25056	PERNO ASTALAV.T5/80-ED-650	T5/80 ED650 WASH ARM BOLT
H25122	ARANDELA ASTA LAVADO	WASH TREE WASHER
H25255	TORICA CIERRE	CLOSING RING
H25752	ARANDELA	WASHER
H29342	JUNTA CERAMICA	NUT
H29345	TAPA ASTA ACLARADO	CLEAR ARM LID
H29389	ANILLO SEEGER	SEEGER RING
H29547	JUNTA CIERRE ALIMENTARIA	CLOSING ALIMENTARY GASKET
H29594	TUERCA	NUT
H29695	ROCIADOR ACLARADO	RINSE SPRAY
H29938	JUNTA RESIST.TRIANG.GOMA	RESISTANCE RUBBER GASKET
H33400	RESIST.6000W 220/380 MOD.	GO TO LAV277
H33468	PERNO ASTA LAVADO 97	97 WASH ARM BOLT
H33469	TUERCA PERNO ASTA LAV.97	97 WASH ARM BOLT NUT
H33479	ASTA ACLARADO ED-650E +97	ED-650E +97 RINSE ARM
H33892	ASTA ACLARADO ED-650S +97	ED-650S +97 RINSE ARM
H35852	RACOR DESAGÜE	OUTLET FITTING





REF.	DESCRIPCIÓN	DESCRIPTION
DH.117	ABRAZADERA 46-70	46-70 CLAMP
H16711	FILTRO ANTIGUO	FILTER
H20923	SOBRENIVEL ED 650S	ED 650 S OVERFLOW
H20924	SOBRENIVEL ED 650E	ED 650 E OVERFLOW
H20981	FILTRO CUBA	TANK FILTER
H25007	TUERCA PLASTICO	PLASTIC NUT
H25138	PILETA DESAGÜE	DRAIN TRAY
H25225	MANGUITO ASPIRAC.ED650S	ED650S SUCTION SLEEVE
H25227	MANGUITO ENVIO	OUTLET SLEEVE
H25261	JUNTA GOMA	RUBBER GASKET
H25326	MOTOR 1,5CV ED 650S	1.5 CV ED 650 MOTOR
H26198	TURBINA BOMBA ED650S	ED-650S PUMP TURBINE
H26223	J.TAPA BOMBA ED 650S GOMA	ED650S PUMP COVER RUBBER G
H26289	JUNTA CIERRE GOMA	CLOSING RUBBER GASKET
H26314	RETEN EJE BOMBA	MECHANICAL SEAL
H27065	TURBINA BOMBA ED 650E	ED-650E PUMP TURBINE
H29532	MANGUITO ASPIRAC.ED650E	ED650E SUCTION SLEEVE
H29562	MOTOR 1,2 CV ED650E	1.2 CV ED650 E MOTOR
H33848	TAPA BOMBA ED650	ED650 PUMP LID
V...5	TUBO GOMA 10X16 20 ATM	20ATM 10X17 RUBBER PIPE
V...62	ABRAZADERA 12-20	12-20 CLAMP
V...132	ELECTROVAL.1 VIA LAV.220V	WASH 1 WAY 220V SOLENOID

Carrocería CAP7 ■ CAP7 Bodywork



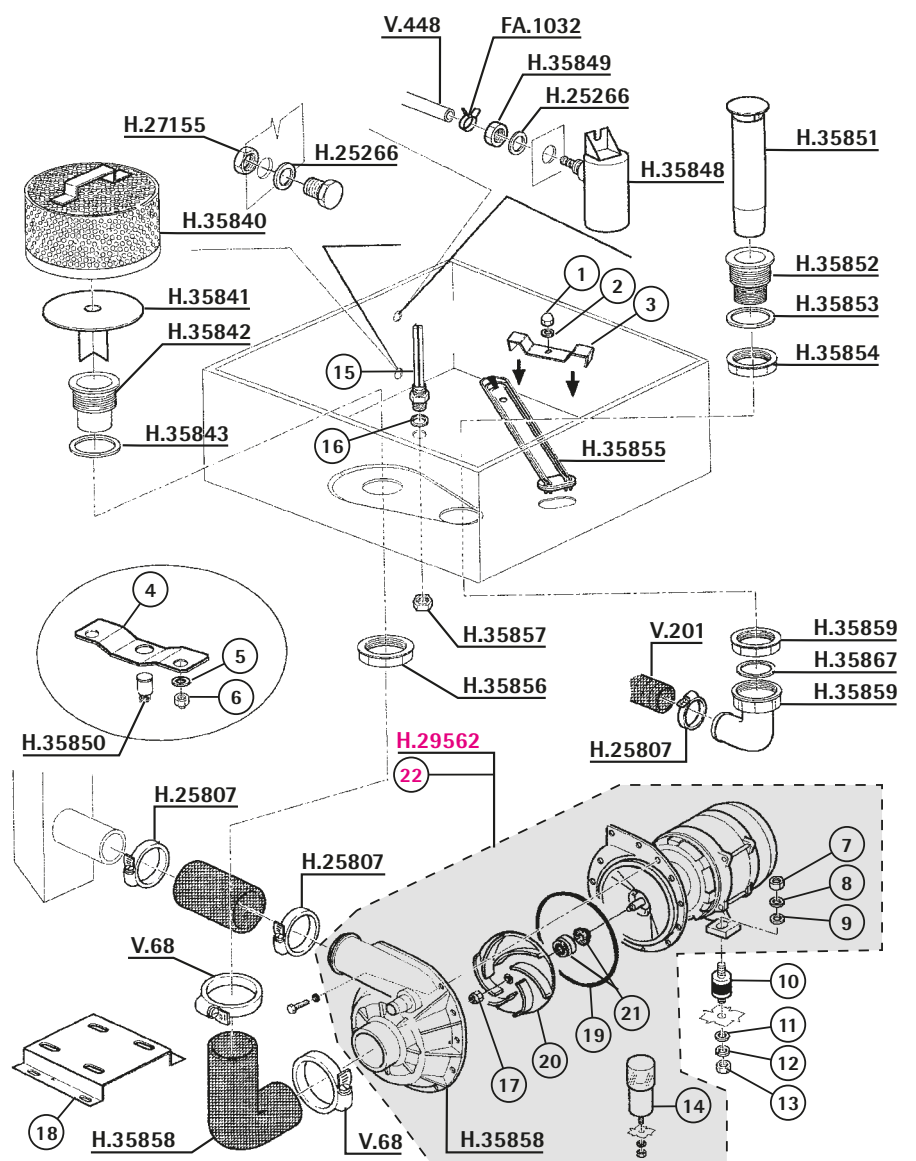
REF.	DESCRIPCIÓN	DESCRIPTION
H35844	MICRO	MICRO
H35845	JUNTA PATA	FOOT GASKET
H35846	PATA	FOOT
H35847	PROTECTOR	PROTECTOR

45 years offering

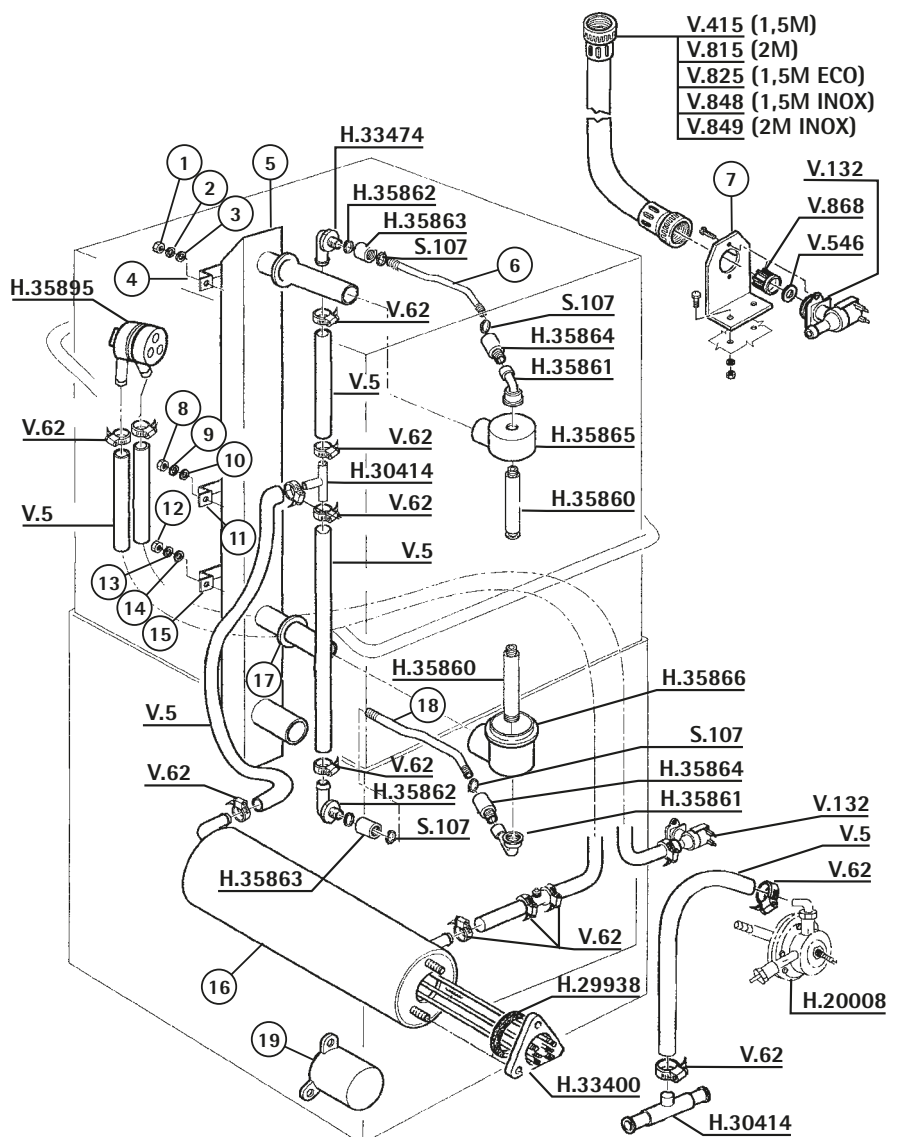


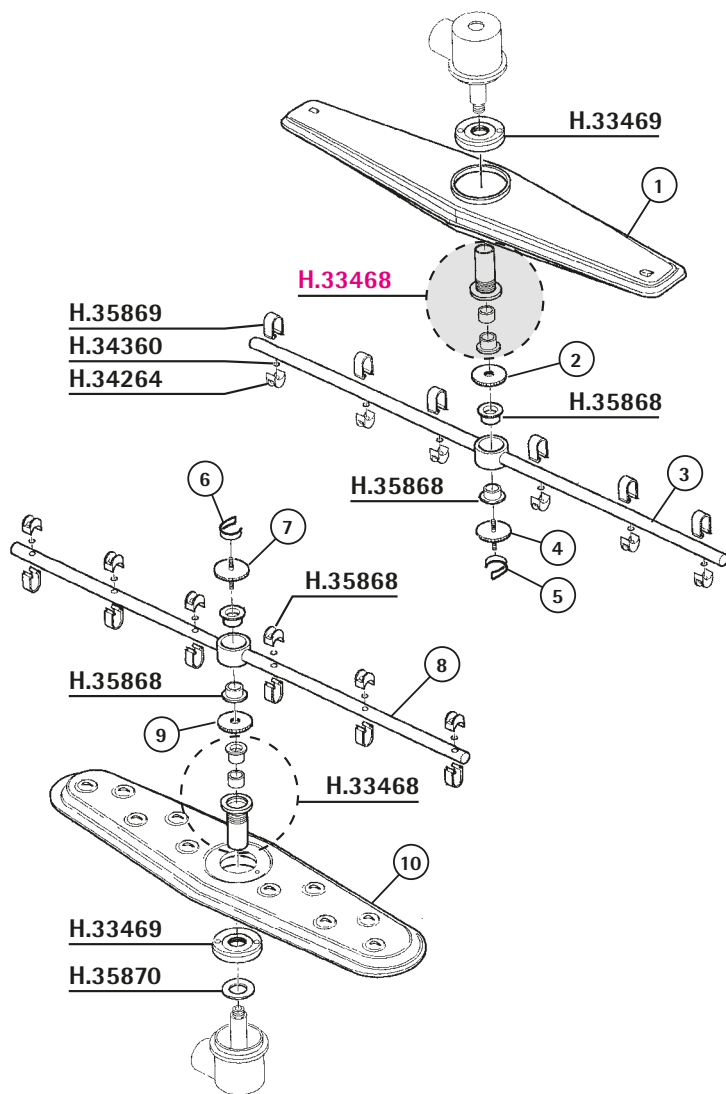
quality, service and competitiveness.

REF.	DESCRIPCIÓN	DESCRIPTION
FA1032	BRIDA	CLASP
H25266	JUNTA PLANA GOMA	FLAT RUBBER GASKET
H25807	ABRAZADERA 25-40	25-40 CLAMP
H27155	TUERCA	NUT
H29562	MOTOR 1,2 CV ED650E	1.2 CV ED650 E MOTOR
H33848	TAPA BOMBA ED650	ED650 PUMP LID
H35840	FILTRO CAP 7	CAP 7 FILTER
H35841	BASE FILTRO CAP 7	CAP 7 FILTER BASE
H35842	RACORD DESAGÜE	DRAIN FITTING
H35843	JUNTA	GASKET
H35848	CAMARA PRESOSTATICA	PRESSURE SWITCH CHAMBER
H35849	TUERCA	NUT
H35850	TERMOSTATO	THERMOSTAT
H35851	REBOSADERO	OVERFLOW
H35853	JUNTA	GASKET
H35854	TUERCA	NUT
H35855	RESISTENCIA CAP 7	CAP 7 RESIS.
H35856	TUERCA	NUT
H35857	TUERCA	NUT
H35858	CODO BOMBA	PUMP ELBOW
H35859	TUERCA	NUT
H35867	JUNTA	GASKET
V...68	ABRAZADERA 32-50	35-50 CLAMP
V.201	TUBO DESAGÜE 28mm. 1,5mt.	28mm. 1.5mt OUTLET PIPE
V.448	TUBO PRESOSTATO-METRO 4X6	4X6 PRE.SWITCH INLET PIPE



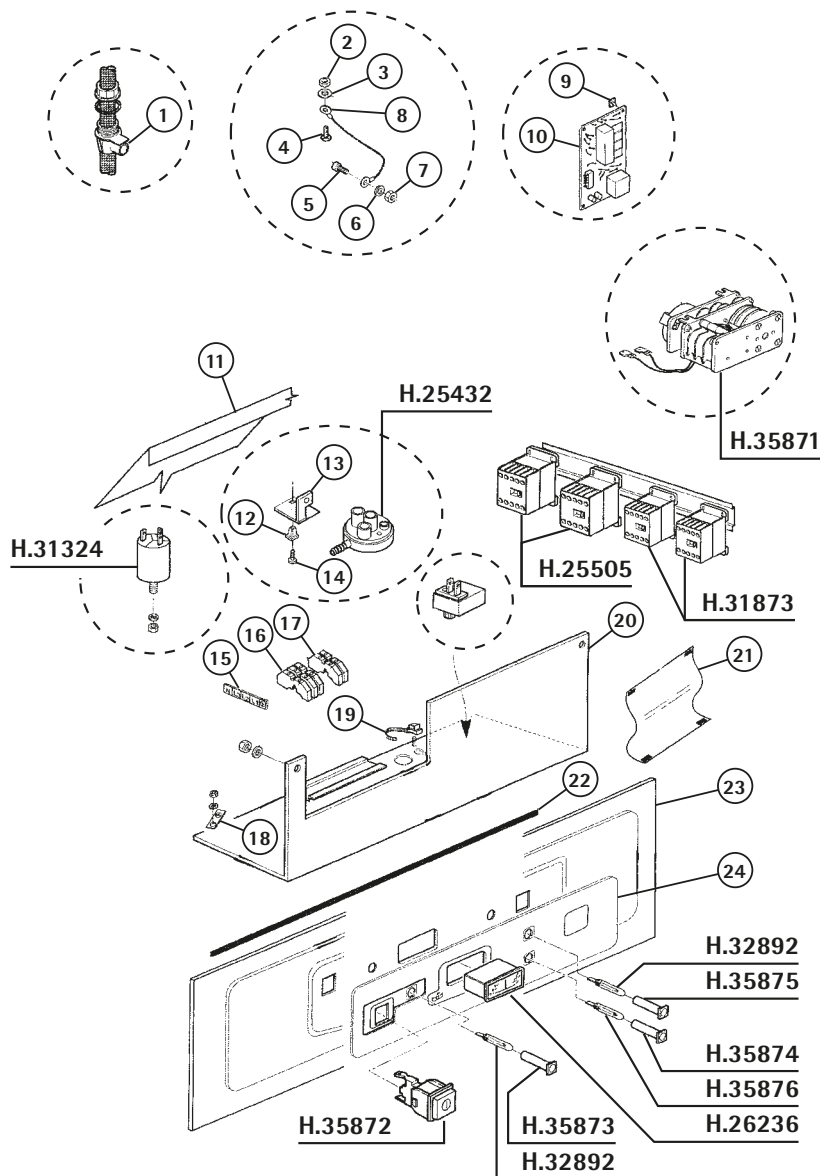
REF.	DESCRIPCIÓN	DESCRIPTION
H20008	DOSIFICADOR ABRILLANTADOR	RINSE AID DOSIMETER
H29938	JUNTA RESIST.TRIANG.GOMA	RESISTANCE RUBBER GASKET
H30414	RACOR EMPALME	UNION FITTING
H33400	RESIST.6000W 220/380 MOD.	GO TO LAV277
H33474	RACOR CODO ED-650	ED-650 FITTING
H35860	EJE	ROD
H35861	CODO	ELBOW
H35862	JUNTA	GASKET
H35863	MANGUITO	SLEEVE
H35864	RACOR	FITTING
H35865	COLECTOR SUPERIOR	UPPER COLECTOR
H35866	COLECTOR INFERIOR	LOWER COLECTOR
H35895	RACOR 2 VIAS	2 WAYS FITTING
S..107	TORICA GOMA NBR	RING
V...5	TUBO GOMA 10X16 20 ATM	20ATM 10X16 RUBBER PIPE
V...62	ABRAZADERA 12-20	12-20 CLAMP
V.132	ELECTROVAL.1 VIA LAV.220V	WASH 1 WAY 220V SOLENOID
V.415	TOMA LAVADORA 1,5M	QUALITY 1.5M.INLET W.FLEX
V.546	JUNTA GOMA 3/4	WATER INLET RUBBER GASKET
V.815	TOMA LAVADORA 2 METROS	2 MT.INLET WATER FLEXIBLE
V.825	TOMA LAVADORA 1.5 "ECO"	"ECO"1.5M INLET WA.FLEXIB
V.848	TOMA LAVADORA 1.5M INOX	INOX 1.5M INLET WATER FL.
V.849	TOMA LAV.INOX 2MT.3/4X3/4	INOX 2MT.INLET WATER FLE.
V.868	FILTRO TOMA LAVADORA 3/4	INLET WATER FILTER





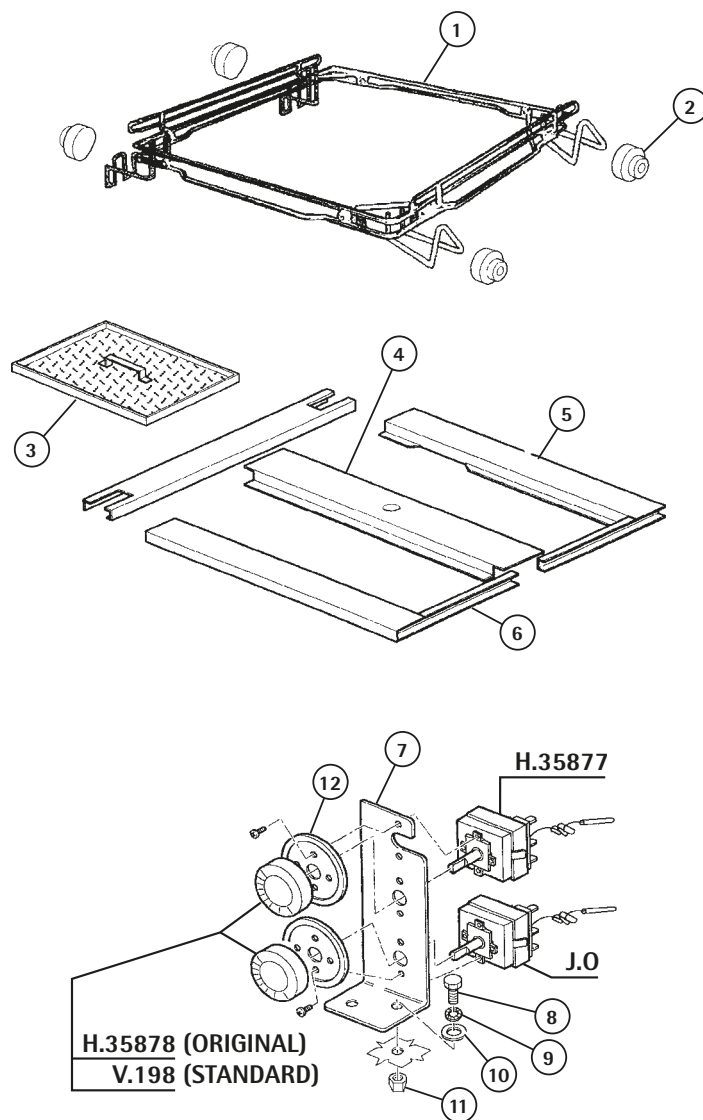
REF.	DESCRIPCIÓN	DESCRIPTION
H33468	PERNO ASTA LAVADO 97	97 WASH ARM BOLT
H33469	TUERCA PERNO ASTA LAV.97	97 WASH ARM BOLT NUT
H34264	SURTIDOR ACLARADO	RINSE SPRAY
H34360	JUNTA TORICA 7 X 1 NBR 70	GASKET
H35868	CASQUILLO	CAP
H35869	GRAPA	CLASP
H35870	ARANDELA	WASHER

Componentes eléctricos CAP7 ■ CAP7 Electric components

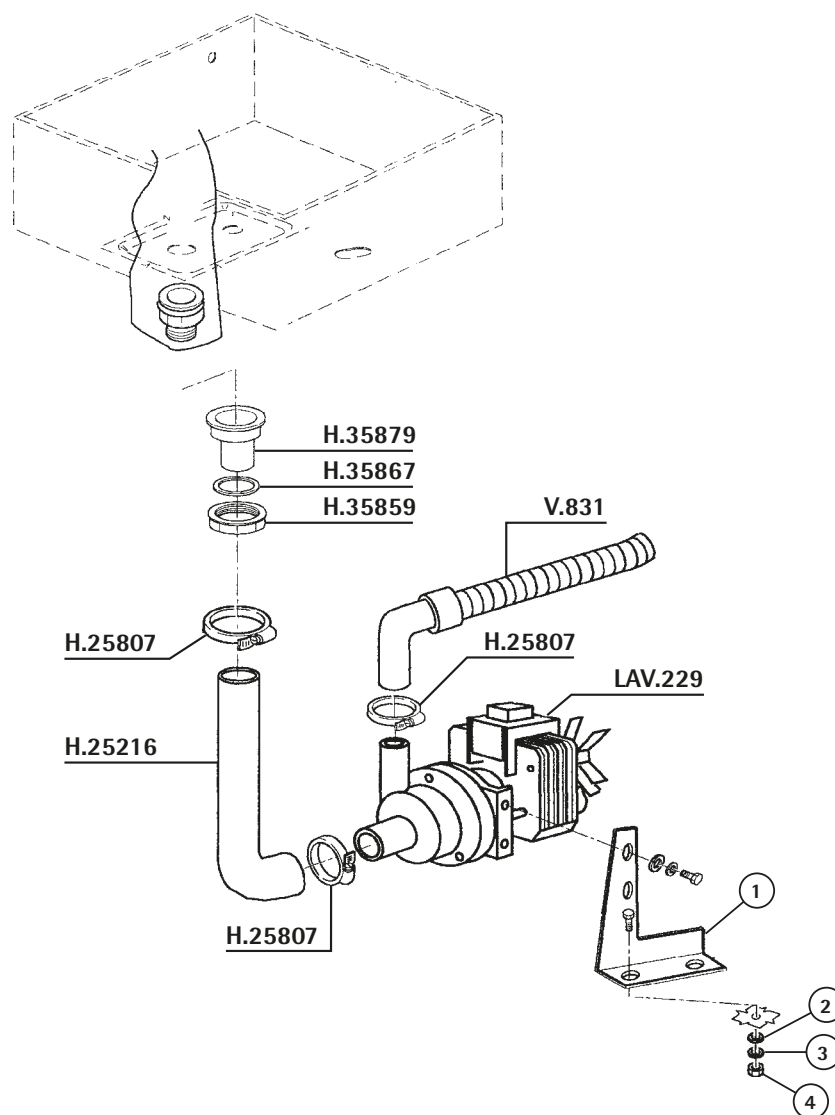


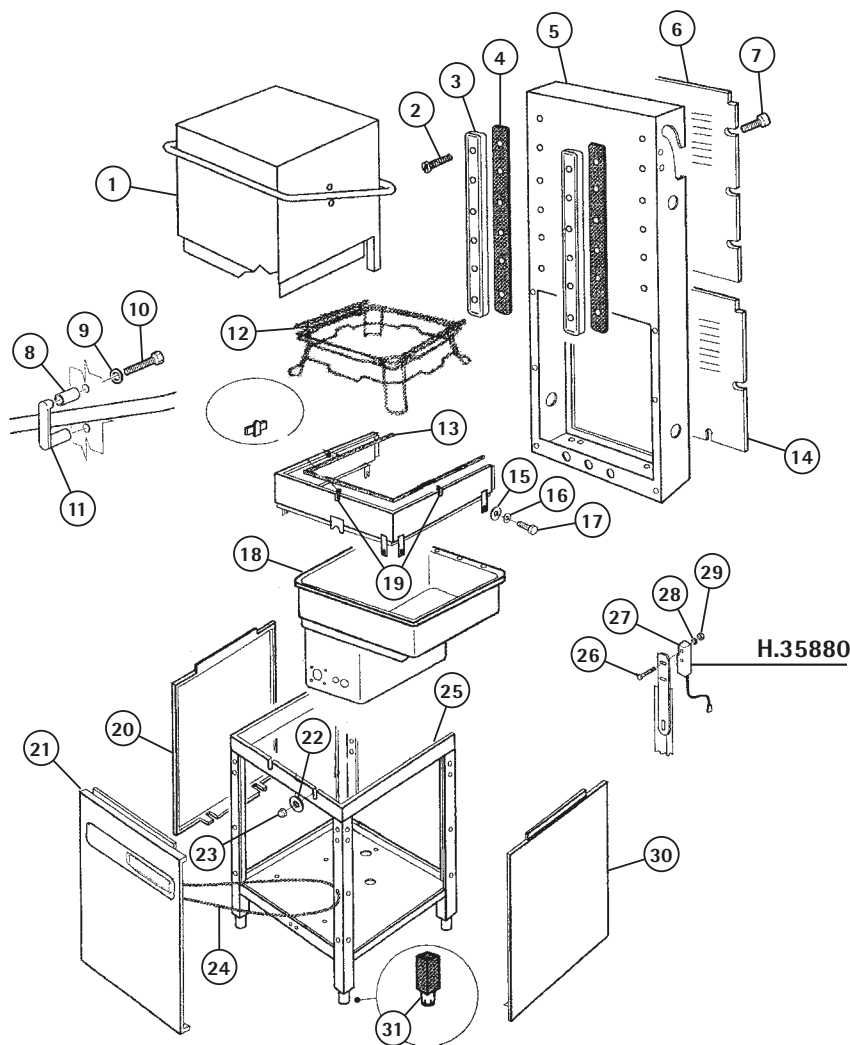
REF.	DESCRIPCIÓN	DESCRIPTION
H25432	PRESOSTATO SAL/HOR.60/45	60/45 HORIZ.PRESS.SWITCH
H25505	CONTACTOR 11BF9	11BF9 CONTACTOR
H26236	TERMOMETRO 0/120° C	THERMOMETER
H31324	FILTRO ANTIPARASITO	FILTER
H31873	CONTACTOR	CONTACTOR
H32892	PILOTO BLANCO 8mm 220V	8mm 220V WHITE LAMP
H35871	PROGRAMADOR	TIMER
H35872	INTERRUPTOR	SWITCH
H35873	TAPON PILOTO	PILOT COVER
H35874	TAPON PILOTO	PILOT COVER
H35875	TAPON PILOTO	PILOT COVER
H35876	PILOTO LUMINOSO	PILOT

REF.	DESCRIPCIÓN	DESCRIPTION
H35877	TERMOSTATO	THERMOSTAT
H35878	MANDO	KNOB
J...0	TERMOSTATO 0-90°	0-90° THERMOSTAT
V..198	MANDO TERMOSTATO 90°	90° THERMOSTAT HANDLE



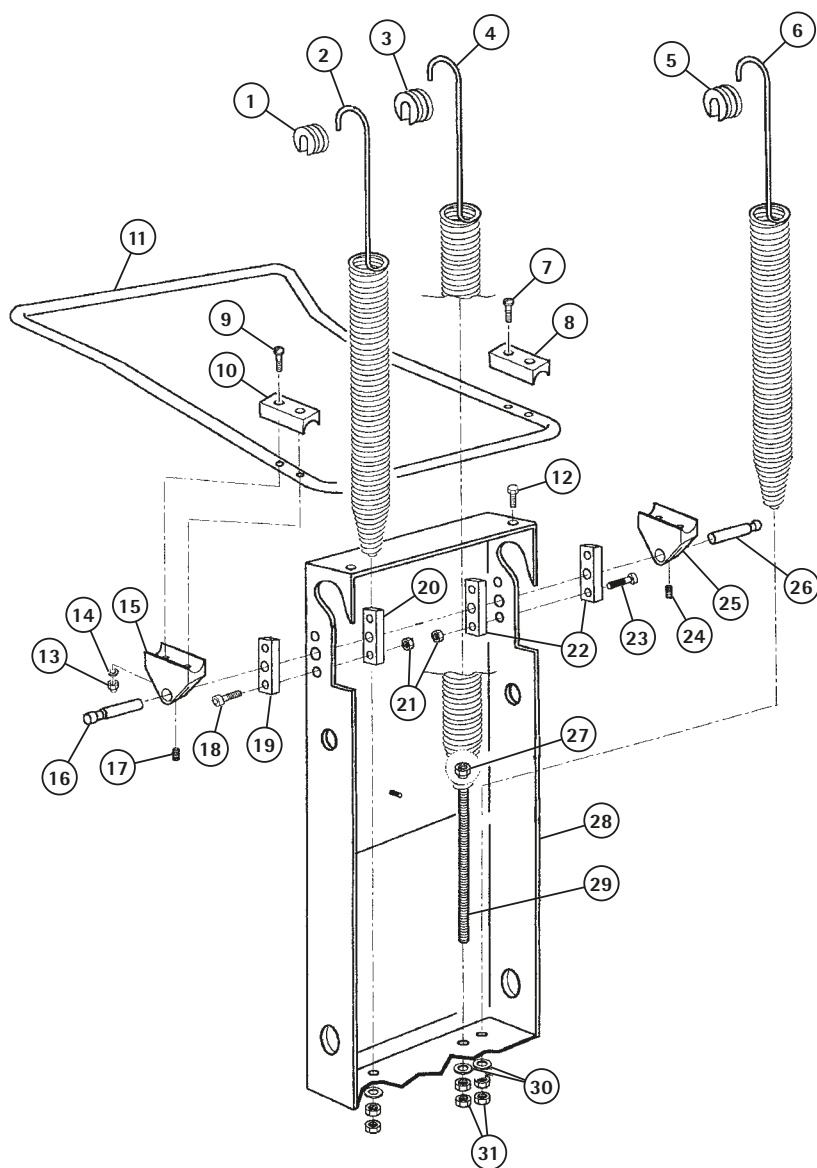
REF.	DESCRIPCIÓN	DESCRIPTION
H25216	TUBO DESAGÜE TODOS MODELO	OUTLET PIPE
H25807	ABRAZADERA 25-40	25-40 CLAMP
H35859	TUERCA	NUT
H35867	JUNTA	GASKET
H35879	RACOR DESAGÜE	DRAIN FITTING
LAV229	BOMBA ACLARADO F-45 A F80	F-45 TO F80 PUMP
V..831	TUBO DES.17mm 1.8mt.CODO	17mm 1.8mt ELBOW OUTLET P





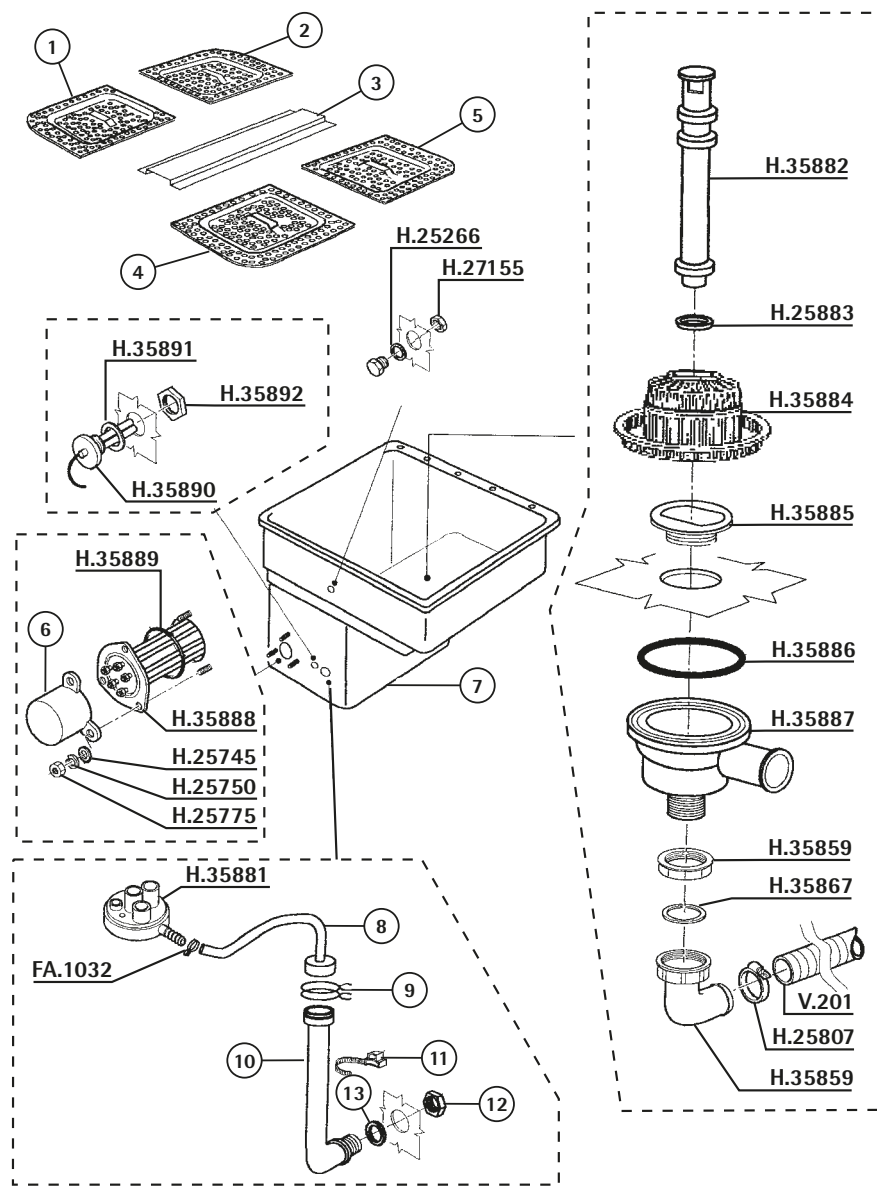
REF.	DESCRIPCIÓN	DESCRIPTION
H35880	MICROINTERRUPTOR	MICROSWITCH

Conjunto elevación CAP10 - CAP12 ■ CAP10 - CAP12 Upper kit 1146

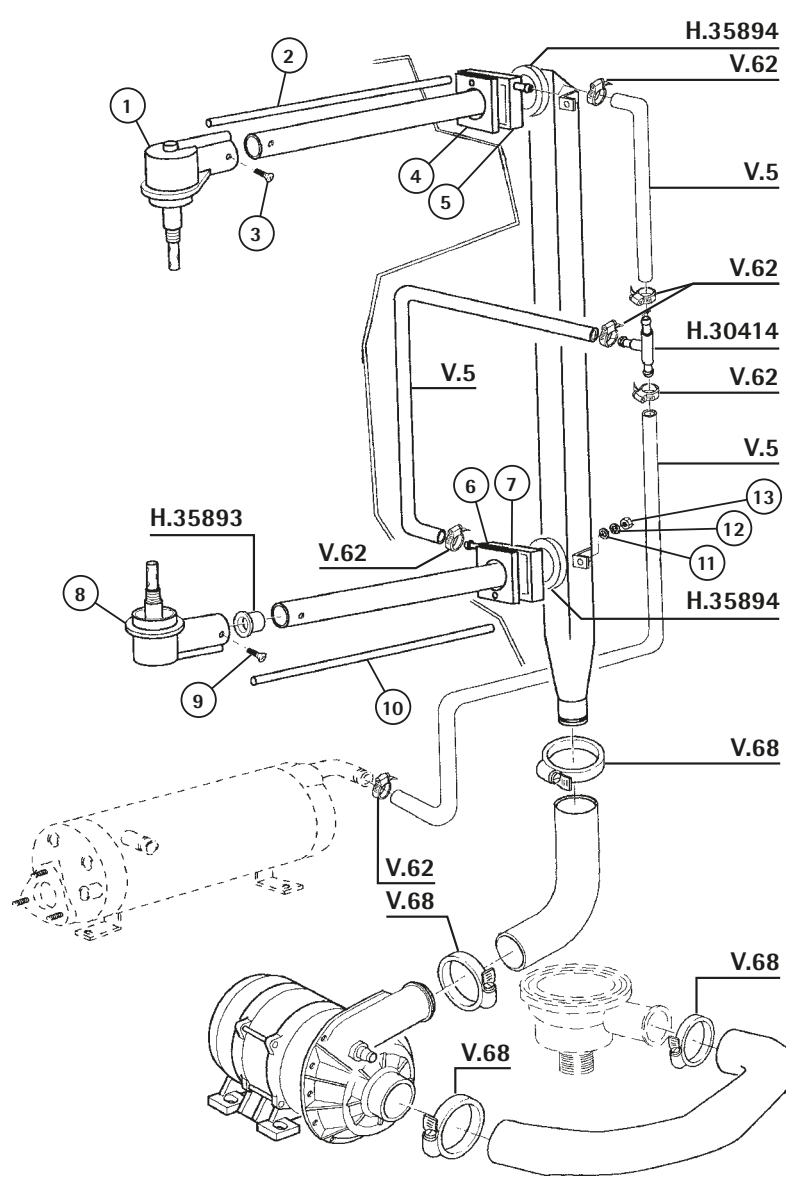


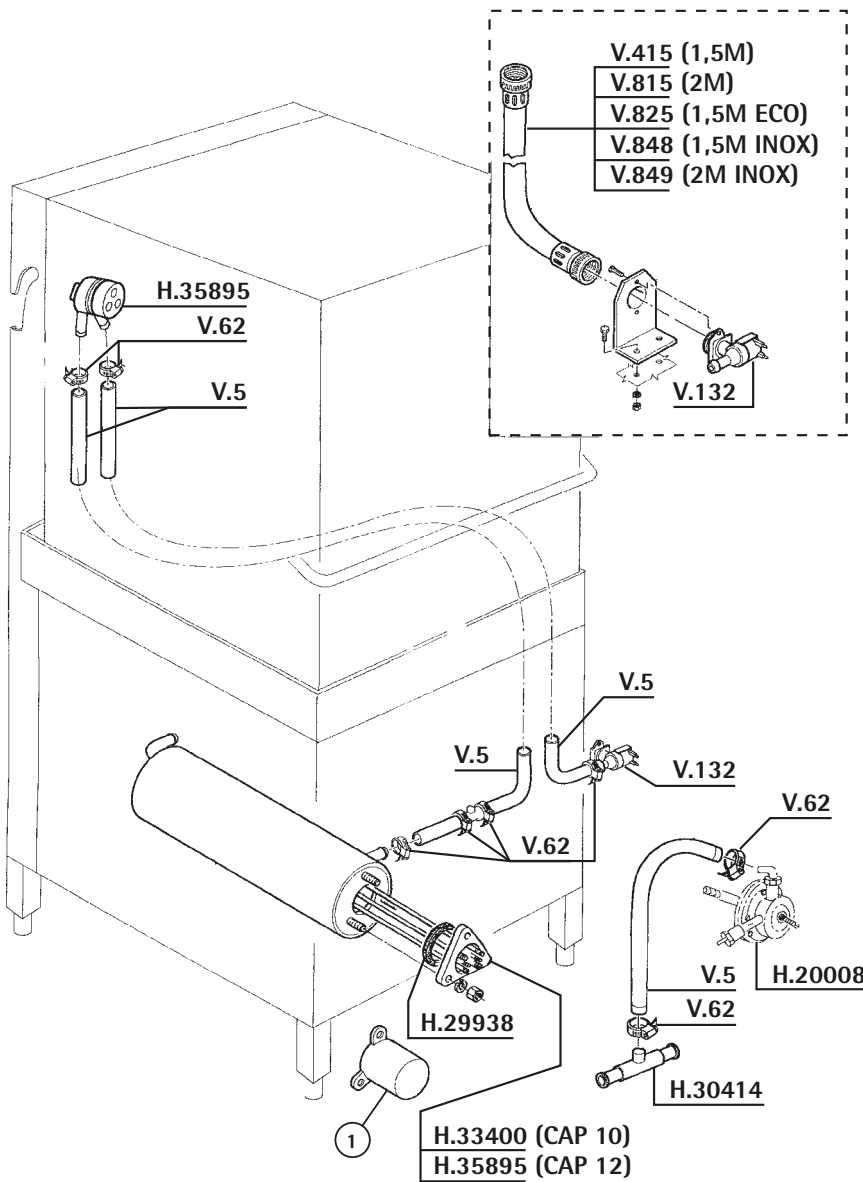
REF.	DESCRIPCIÓN	DESCRIPTION
------	-------------	-------------

REF.	DESCRIPCIÓN	DESCRIPTION
FA1032	BRIDA	CLASP
H25266	JUNTA PLANA GOMA	FLAT RUBBER GASKET
H25745	ARANDELA	WASHER
H25750	ARANDELA	WASHER
H25775	TUERCA	NUT
H25807	ABRAZADERA 25-40	25-40 CLAMP
H27155	TUERCA	NUT
H35859	TUERCA	NUT
H35867	JUNTA	GASKET
H35881	PRESOSTATO	PRESSURE SWITCH
H35882	REBOSADERO CAP 10/12	OVERFLOW CAP 10/12
H35884	FILTRO	FILTER
H35885	RACOR DESAGÜE	DRAIN FITTING
H35886	JUNTA	GASKET
H35887	CODO DESAGÜE	DRAIN ELBOW
H35888	RESIS. CALDERIN CAP 10/12	CAP 10/12 BOILER RESIS
H35889	JUNTA RESISTENCIA	RESISTANCE GASKET
H35890	SONDA	PROBE
H35891	JUNTA	GASKET
H35892	TUERCA	NUT
V...201	TUBO DESAGÜE 28mm. 1,5mt.	28mm. 1.5mt OUTLET PIPE



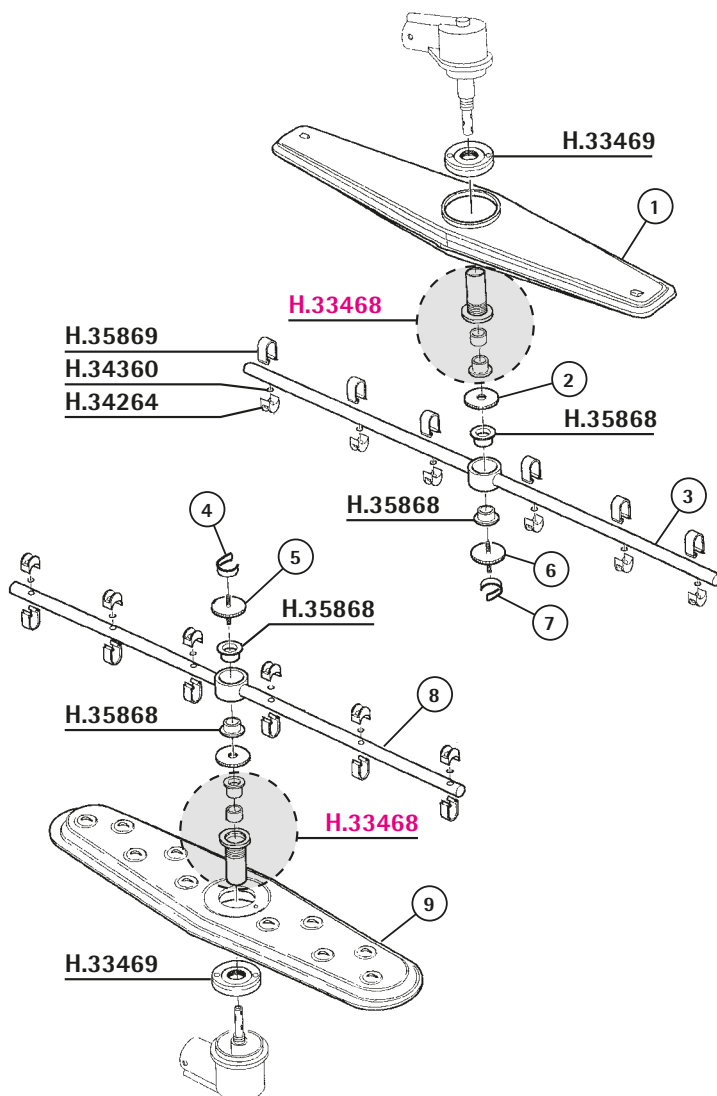
REF.	DESCRIPCIÓN	DESCRIPTION
H30414	RACOR EMPALME	UNION FITTING
H35893	CASQUILLO	CAP
H35894	JUNTA DISTRIBUIDOR	GASKET DISTRIBUIDOR
V...5	TUBO GOMA 10X16 20 ATM	20ATM 10X17 RUBBER PIPE
V...62	ABRAZADERA 12-20	12-20 CLAMP
V...68	ABRAZADERA 32-50	35-50 CLAMP





REF.	DESCRIPCIÓN	DESCRIPTION
H20008	DOSIFICADOR ABRILLANTADOR	RINSE AID DOSIMETER
H29938	JUNTA RESIST.TRIANG.GOMA	RESISTANCE RUBBER GASKET
H30414	RACOR EMPALME	UNION FITTING
H33400	RESIST.6000W 220/380 MOD.	GO TO LAV277
H35895	RACOR 2 VIAS	2 WAYS FITTING
V...5	TUBO GOMA 10X16 20 ATM	20ATM 10X17 RUBBER PIPE
V...62	ABRAZADERA 12-20	12-20 CLAMP
V.132	ELECTROVAL.1 VIA LAV.220V	WASH 1 WAY 220V SOLENOID
V.415	TOMA LAVADORA 1,5M	QUALITY 1.5M.INLET W.FLEX
V.815	TOMA LAVADORA 2 METROS	2 MT.INLET WATER FLEXIBLE
V.825	TOMA LAVADORA 1.5 "ECO"	"ECO"1.5M INLET WA.FLEXIB
V.848	TOMA LAVADORA 1.5M INOX	INOX 1.5M INLET WATER FL.
V.849	TOMA LAV.INOX 2MT.3/4X3/4	INOX 2MT.INLET WATER FLE.

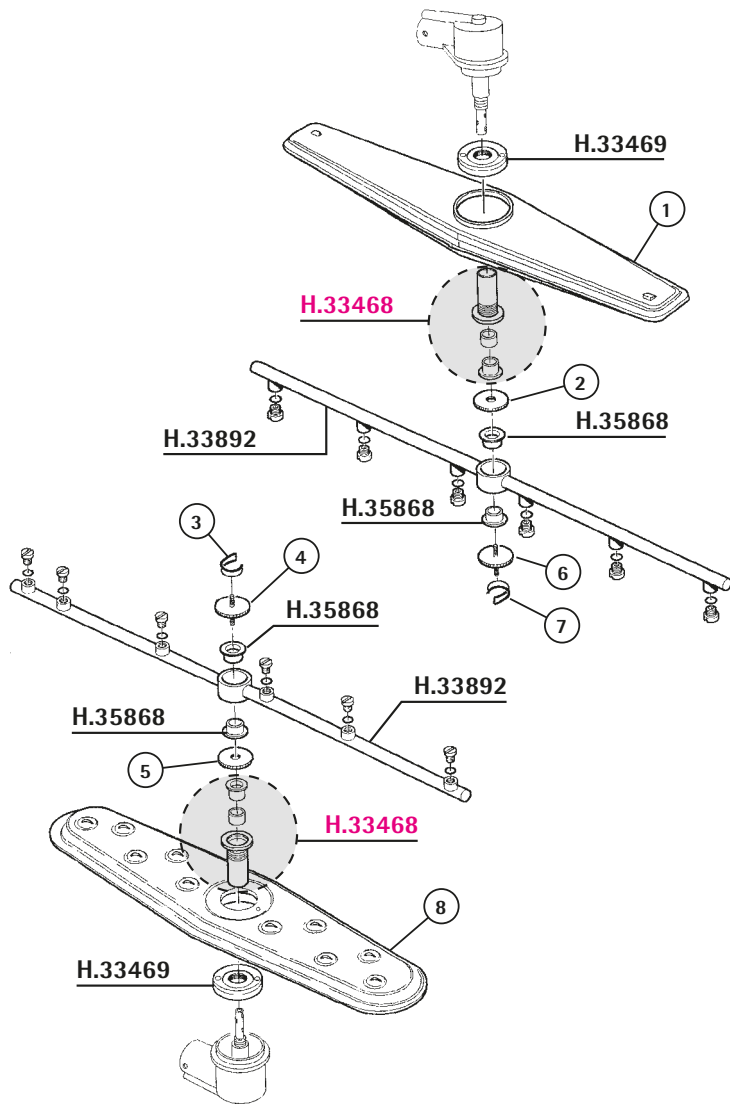
Lavado / Aclarado CAP10 - CAP12 (1) ■ CAP10 - CAP12 Rinse / Wash (1)



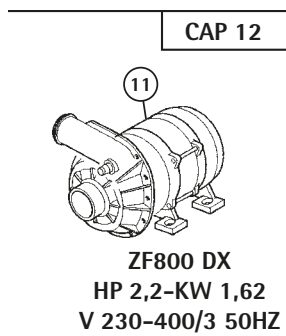
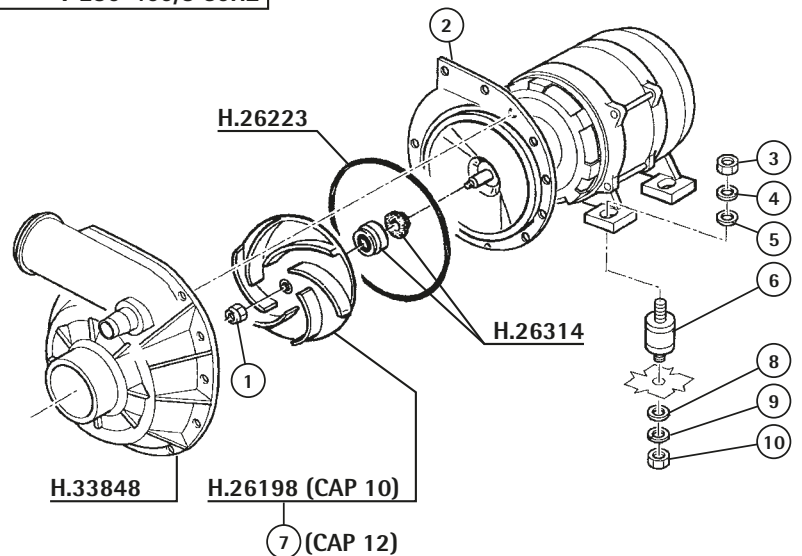
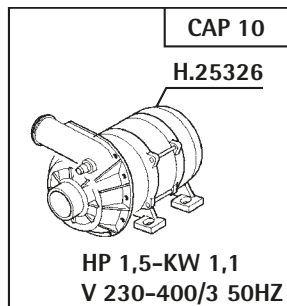
REF.	DESCRIPCIÓN	DESCRIPTION
H33468	PERNO ASTA LAVADO 97	97 WASH ARM BOLT
H33469	TUERCA PERNO ASTA LAV.97	97 WASH ARM BOLT NUT
H34264	SURTIDOR ACLARADO	RINSE SPRAY
H34360	JUNTA TORICA 7 X 1 NBR 70	GASKET
H35868	CASQUILLO	CAP
H35869	GRAPA	CLASP

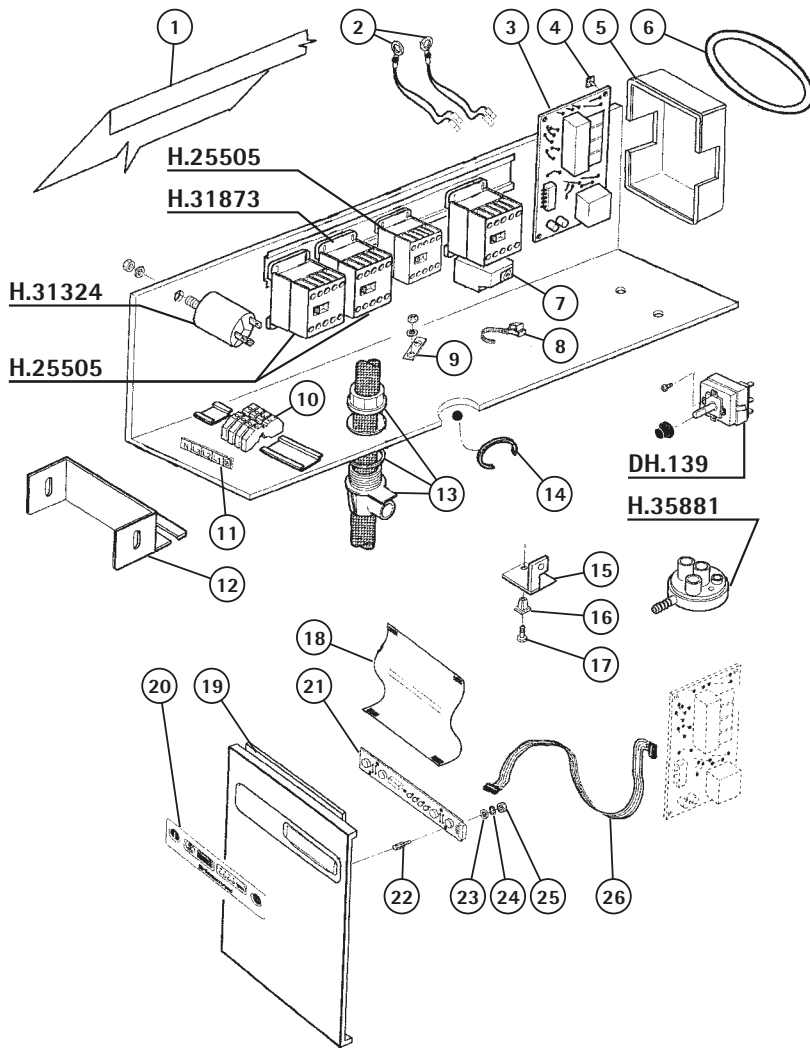


REF.	DESCRIPCIÓN	DESCRIPTION
H33468	PERNO ASTA LAVADO 97	97 WASH ARM BOLT
H33469	TUERCA PERNO ASTA LAV.97	97 WASH ARM BOLT NUT
H33892	ASTA ACLARADO ED-650S +97	ED-650S +97 RINSE ARM CAP
H35868	CASQUILLO	



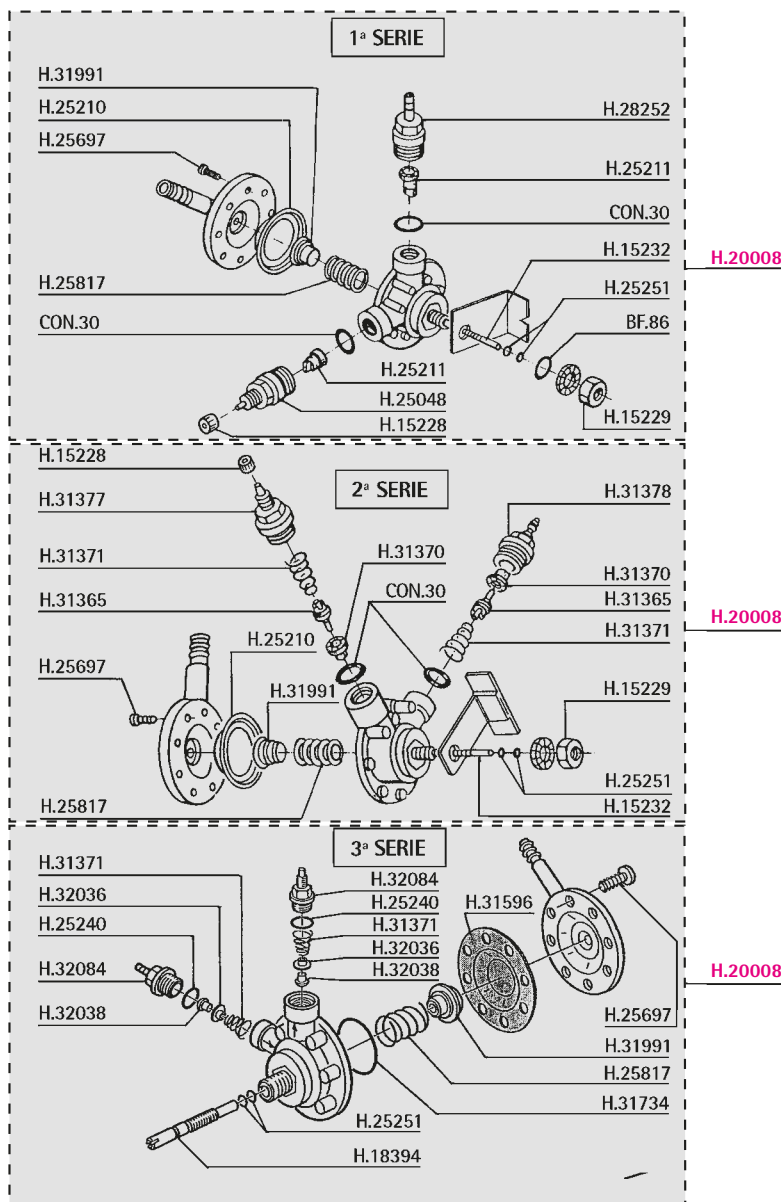
REF.	DESCRIPCIÓN	DESCRIPTION
H25326	MOTOR 1,5CV ED 650S	1.5 CV ED 650 MOTOR
H26198	TURBINA BOMBA ED650S	ED-650S PUMP TURBINE
H26223	J.TAPA BOMBA ED 650S GOMA	ED650 PUMP COVER RUBBER G
H26314	RETEN EJE BOMBA	MECHANICAL SEAL
H33848	TAPA BOMBA ED650	ED650 PUMP LID





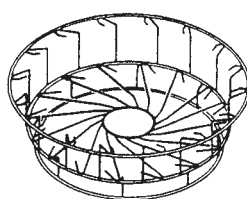
REF.	DESCRIPCIÓN	DESCRIPTION
DH.139	TERMOST.SEGURIDAD 90-110°	90-110° SAFETY THERMOSTAT
H25505	CONTACTOR 11BF9	11BF9 CONTACTOR
H31324	FILTRO ANTIPARASITO	FILTER
H31873	CONTACTOR	CONTACTOR
H35881	PRESOSTATO	PRESSURE SWITCH

Bombas abrillantador ■ Brightness pump 1154

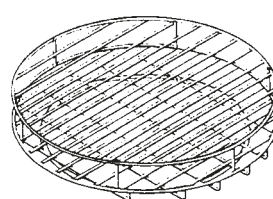


REF.	DESCRIPCIÓN	DESCRIPTION
BF.86	TORICA GOMA	RUBBER RING
CON.30	TORICA GOMA	RUBBER RING
H15228	TUERCA BOMBA ABRILLANTADO	BRIGHTNESS PUMP NUT
H15229	TUERCA BOMBA ABRILLANTADO	BRIGHTNESS PUMP NUT
H15232	EJE BOMBA ABRILLANTADOR	RINSE AID PUMP ROD
H18394	EJE BOMBA ABRILLANTADOR	PUMP ROD
H20008	DOSIFICADOR ABRILLANTADOR	RINSE AID DOSIMETER
H25048	RACOR ABRILLANTADOR	RINSE AID FITTING
H25210	MEMBRANA ABRILLANTADOR	RINSE AID MEMBRANE
H25211	VALVULA ABRILLANTADOR	VALVE
H25240	TORICA RACOR DOSIFICADOR	DOSEUR FITTING RING
H25251	TORICA	RING
H25697	TORNILLO	SCREW
H25817	MUELLE DOSIFICADOR ABRILLANTADOR	RINSE AID DOS.SPRING
H28252	RACOR ABRILLANTADOR	RINSE AID FITTING
H31365	OBTURADOR VALVULA	VALVE OBSTRUCTOR
H31370	JUNTA GOMA	RUBBER GASKET
H31371	MUELLE CONICO DOSIFICADOR	DOSIMETER SPRING
H31377	RACOR DOSF.ABRILLANTADOR	RINSE AID FITTING
H31378	RACOR DOSF.ABRILLANTADOR	RINSE AID FITTING
H31596	MEMBRANA DOSIFICADOR	DOSIMETER MEMBRANE
H31734	TORICA DOSIFICADOR	DOSIMETER RING
H31991	GUIA MUELLE DOSIFICADOR	DOSIM. SPRING GUIDE
H32036	GUIA MUELLE DOSIFICADOR	DOSIM. SPRING GUIDE
H32038	GOMA CIERRE DOSIFICADOR	CLOSE GASKET
H32084	KIT RACOR DOSIFICADOR	DOSIMETER FITTING KIT

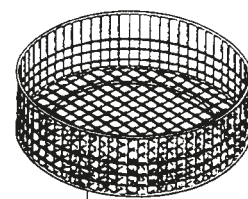
REF.	DESCRIPCIÓN	DESCRIPTION
H15414	CESTO VASOS 40 CMT.	40 CM. GLASSES BASKET
H15452	CESTO BANDEJAS E-50 46CM	46CM E-50 TRAY BASKET
LF.682	CESTO VASOS 36CMT	36 CM. GLASSES BASKET
LF.683	CESTO VASOS 45 CMT.	45 CM. GLASSES BASKET
LF.685	CESTO PLATOS 45 CMT.	45 CM. DISH BASKET
V...29	CESTO CUADRO PLATOS 40x40	40X40 SQUARE PLATE BASKET
V...31	CESTO PLATOS 40 CMT	40 CM. DISH BASKET
V...32	CESTO CUCHARAS PLASTICO	PLASTIC SPOON BASKET
V...80	CESTO CUADRO PLATOS 36x36	36X36 DISH BASKET
V.173	INSERTO PLATOS 30CMT.	30CMT DISHES INSERT
V.175	INSERTO PLATOS 42CMT.	42CMT DISHES INSERT
V.526	CESTO CUCHARAS CUADRADO	SQUARE SPOON BASKET
V.610	CANTONERA CESTO CUADRADO	BASKET SQUARE CORNERPIECE
V.964	INSERTO PLATOS 36cm	36cm DISHES INSERT
V.1250	CESTA VASOS 50X50	50X50 GLASSES RACK
V.1252	CEST.PLATOS-BANDEJA 50X50	PLATES AND TRAYS RACK
WL3510	CESTO CUADRO VASOS 36x36	36X36 GLASSES BASKET
WL3511	CESTO CUADRO VASOS 40x40	40X40 GLASSES BASKET
WL3512	CESTO CUADRO VASOS 45x45	45X45 GLASSES BASKET
WL3520	CESTO CUADRO PLATOS 45x45	45X45 DISH BASKET



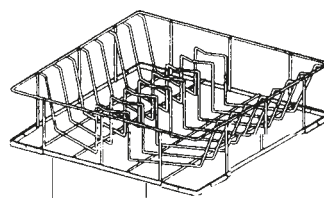
V.31 (40cm)
LF.685 (46cm)



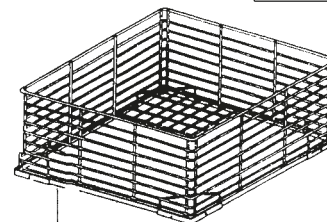
H.15452 (46cm)



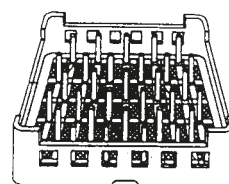
LF.682 (36 cm)
H.15414 (40 cm)
LF.683 (46 cm)



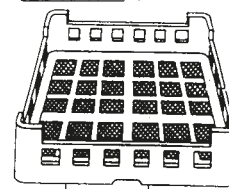
V.80 (36x36 cm)
V.29 (40x40 cm)
WL.3520 (45x45 cm)



WL.3510 (36x36 cm)
WL.3511 (40x40 cm)
WL.3512 (45x45 cm)



V.1252 (50x50 cm)



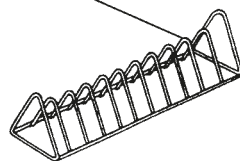
V.1250 (50x50 cm)

V.173 (30 cm)

V.175 (42 cm)

V.964 (36 cm)

GAMA COMPLETA / COMPLET RANGE PAG 34



V.526



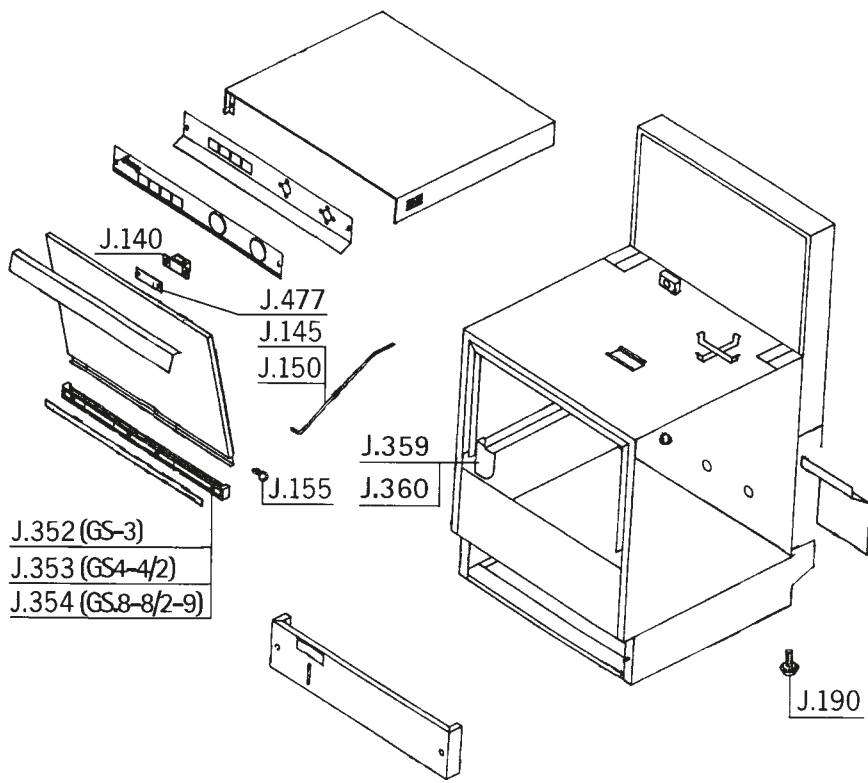
V.32



V.610

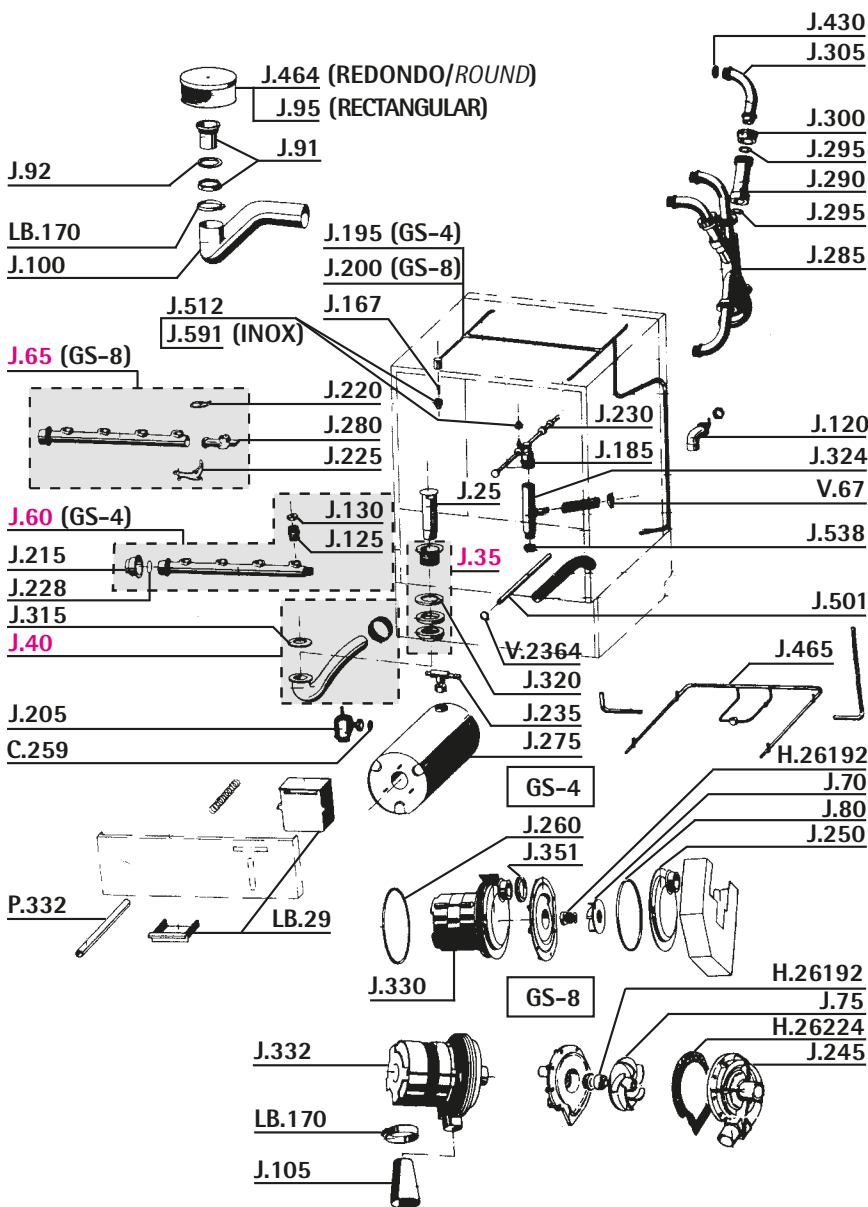
Índice JEMI index

GS-3 / GS- 4 / GS -8 / GS -9 / GS -4/2 GS -8/2 / GS-9antiguos	GS-3 / GS- 4 / GS -8 / GS -9 / GS -4/2 GS -8/2 / GS-9 Olds	1157-1161
GS-14 / GS-15 antiguos	GS-14 / GS-15 Olds	1162-1167
GS-82 / GS-100 antiguos	GS-82 / GS-100 Olds	1168-1174
Carrocería GS-2	GS-2 Bodywork	1175
Puerta GS-2	GS-2 Door	1176
Lavado inferior GS-2	GS-2 Lower wash	1177
Motor / Filtro GS-2	GS-2 Filter / Motor	1178
Motor GS-2	GS-2 Motor	1179
Lavado GS-2	GS-2 Wash	1180
Aclarado GS-2	GS-2 Rinse	1181
Calderín GS-2	GS-2 Boiler	1182
Panel control GS-2	GS-2 Control panel	1183
Componentes eléctricos GS-2	GS-2 Electric components	1184
Carrocería GS-3	GS-3 Bodywork	1185
Lavado inferior / Desagüe GS-3	GS-3 Lower wash / Drain	1186
Lavado GS-3	GS-3 Wash	1187
Aclarado / Calderín GS-3	GS-3 Rinse / Boiler	1188
Componentes eléctricos GS-3	GS-3 Electric components	1189
Carrocería GS4/2- GS-4/2AF	GS4/2 - GS4/2AF Bodywork	1190
Lavado inferior / Desagüe GS4/2 - GS4/2AF	GS4/2 - GS4/2AF Lower wash / Drain	1191
Lavado / Bomba GS-4/2	GS-4/2 Wash / Pump	1192
Lavado / Bomba GS 4/2 AF	GS 4/2 AF Wash / Pump	1193
Aclarado GS4/2 / Calderín GS4/2- GS4/2 AF	GS4/2 Rinse / GS4/2- GS4/2 AF Boiler	1194
Aclarado GS-4/2 AF	GS-4/2 AF Rinse	1195
Frontal mandos GS4/2 - GS4/AF	GS4/2 - GS4/AF Frontal handle	1196
Carrocería GS6/GS6AF	GS6/GS6AF Bodywork	1197
Lavado inferior / Desagüe GS-6/GS-6AF	GS6/GS6AF Lower wash / Drain	1198
Lavado GS 6 AF	GS 6 AF Wash	1199
Lavado GS6 / Aclarado / Calderín GS-6AF	GS6 Wash / GS-6AF Rinse / Boiler	1200
Componentes eléctricos GS6/GS-6AF	GS6/GS-6AF Electric components	1201
Carrocería GS8/2 - GS9	GS8/2 - GS9 Bodywork	1202
Lavado inferior / Desagüe GS -8/2	GS - 8/2 Lower wash / Drain	1203
Lavado GS 8/2	GS 8/2 Wash	1204
Bomba lavado GS-8/2	GS-8/2 Wash pump	1205
Aclarado / Calderín GS8/2	GS-8/2 Rinse / Boiler	1206
Frontal mandos GS8/2 - GS9	GS8/2 - GS9 Frontal handle	1207
Lavado inferior / Desagüe GS-9	GS-9 Lower wash / Drain	1208
Lavado GS-9	GS-9 Wash	1209
Bomba lavado GS-9	GS-9 Wash pump	1210
Aclarado / Calderín GS9	GS9 Rinse / Boiler	1211
Componentes eléctricos GS9	GS9 Electric components	1212
Descalcificador automatico / Bomba desagüe	Automatic softener / Drain pump	1213
Varios GS-2, GS-3, GS4/2, GS4/2AF, GS6, GS6 AF, GS 8/2, GS9	GS-2, GS-3, GS4/2, GS4/2AF, GS6, GS6 AF, GS 8/2, GS9 Various	1214
GS 18 / GS-19	GS 18 / GS-19	1215-1223
GS-30	GS-30	1224-1228
GS-82 / GS-82M	GS-82 / GS-82M	1229-1237
GS-100	GS-100	1238-1243
Dosificador abrillantador	Rinse aid dosimeter	1244
Cestos	Baskets	1245



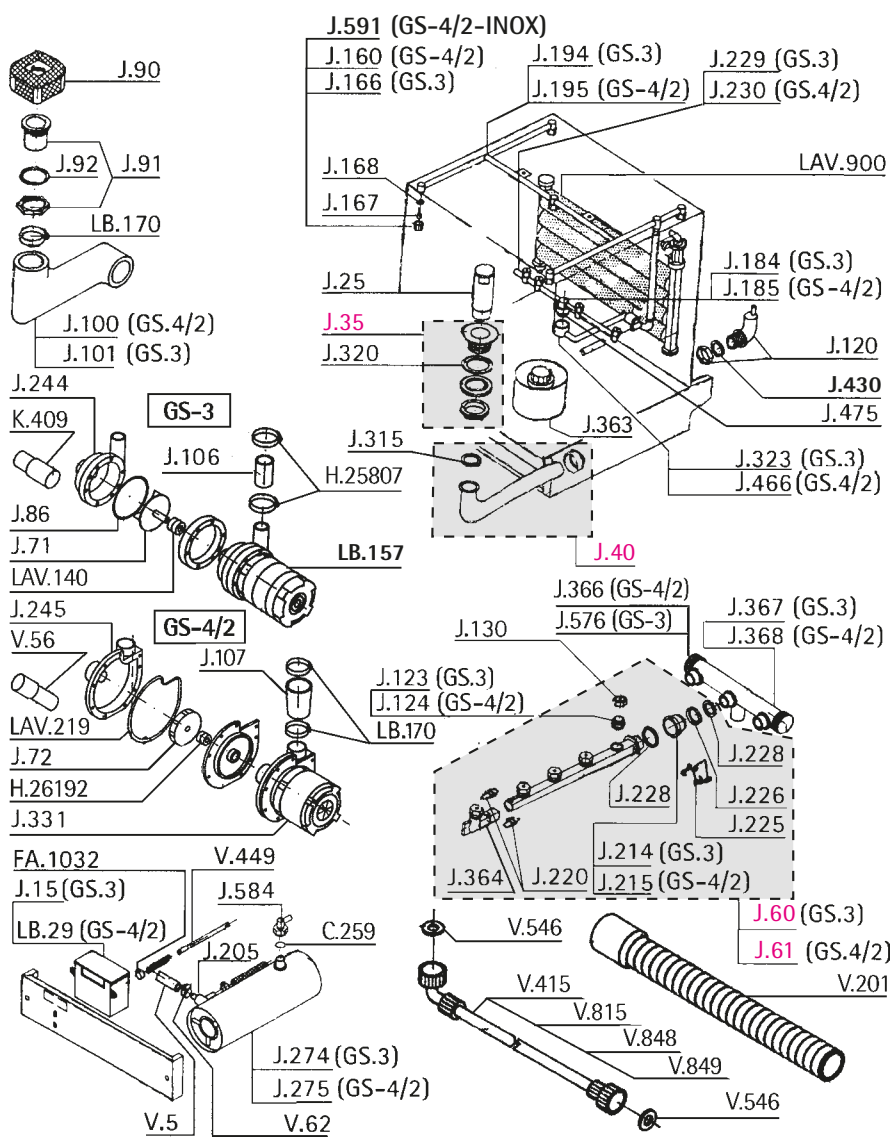
REF.	DESCRIPCIÓN	DESCRIPTION
J..140	CIERRE PUERTA	CLOSING DOOR
J..145	VARILLA PUERTA IZQUIERDA	LEFT DOOR ROD
J..150	VARILLA PUERTA DERECHA	RIGHT DOOR ROD
J..155	TORNILLO EJE PUERTA	DOOR ROD
J..190	PATA MAQUINA	MACHINE FOOT
J..352	CANAL DESAGÜE GS-3	GS3 DRAIN WATERWAY
J..353	CANAL DESAGÜE GS 4-4/2	GS 4-4/2 DRAIN WATERWAY
J..354	CANAL DESAGÜE GS 8-8/2-9	GS 8-8/2-9 DRAIN WATERWAY
J..359	GUIA CESTA IZDA.GS 8-8/2	GS 8-8/2 LEFT GUIDE
J..360	GUIA CESTA DCHA.GS 8-8/2	GS 8-8/2 RIGHT GUIDE
J..477	CHAPA SUPLEMENTO CIERRE	SUPLEMENT CLOSING PLATE

Lavado / Aclarado GS -4 / GS -8 antiguos ■ GS -4 / GS -8 old Wash / Rinse

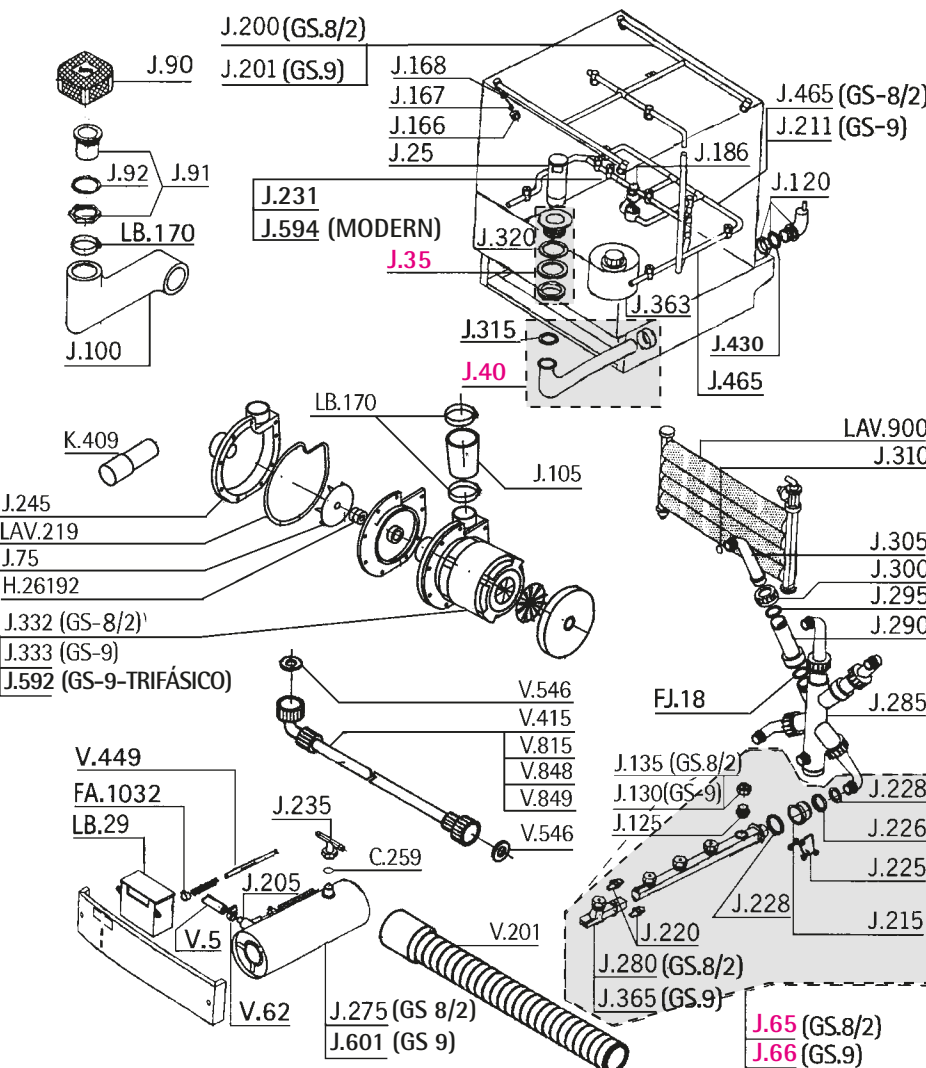


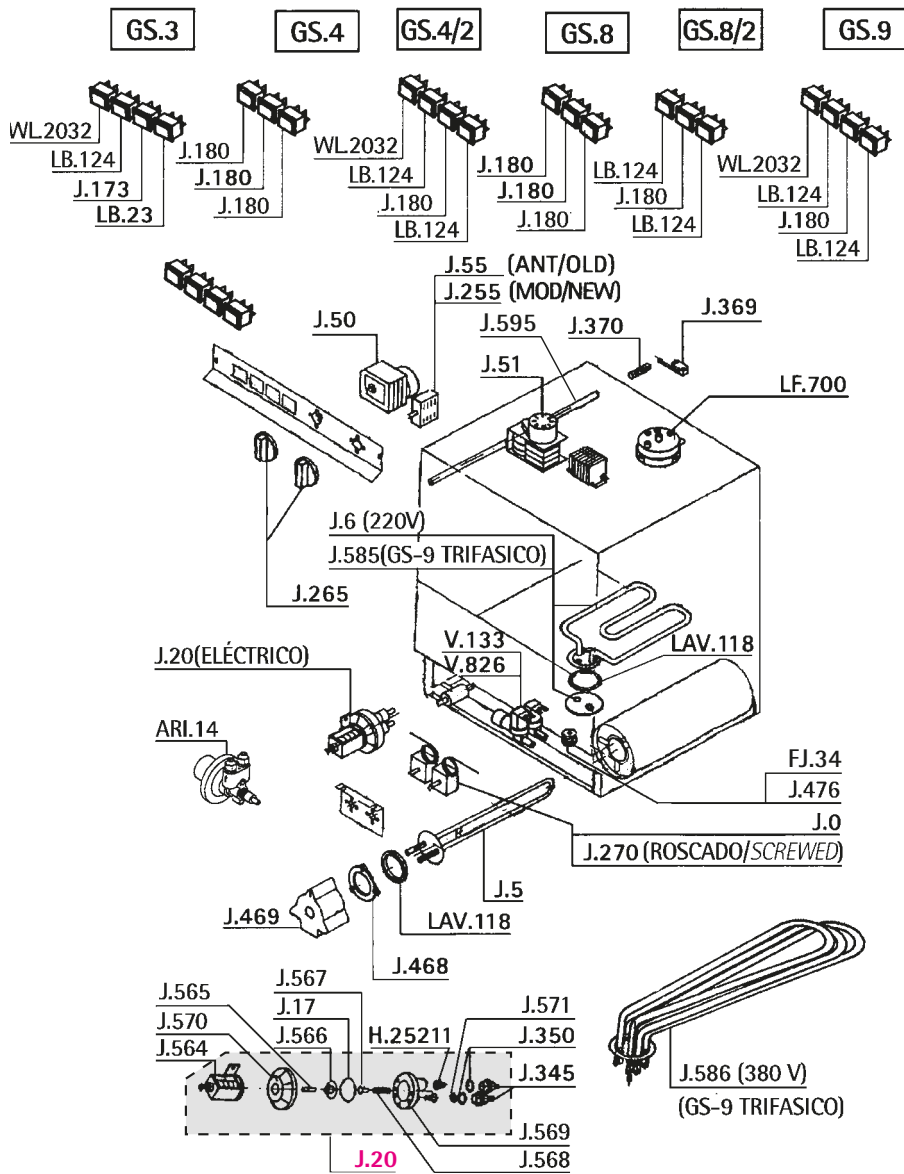
REF.	DESCRIPCIÓN	DESCRIPTION
C..259	JUNTA ALIMENTARIA	ALIMENTARY GASKET
H26192	RETEN EJE BOMBA	MECHANICAL SEAL
H26224	JUNTA TAPA BOMBA GOMA	PUMP COVER RUBBER GASKET
J..25	SOBRENIV. GS3-4-4/2-8-8/2-9	GS 4-4/2-8-8/2-9 OVE.PIPE
J..35	RACOR DESAGUE COMPL.PLASTICO	DRAIN FITTING
J..40	SIFON DE.GS 4-4/2-8-8/2-9	GS 4-4/2-8-8/2-9 DR.ELBOW
J..60	BRAZO LAVADO GS-4 CTO.	GS4 WASHING ARM
J..65	BRAZO LAVADO GS8/8-2 CTO.	GS 8-8/2 WASHING ARM
J..70	TURBINA MOTOR GS-4	GS-4 PUMP TURBINE
J..75	TURBINA MOTOR GS-8/2 GS-9	GS-8/2 GS-9 PUMP TURBINE
J..80	TORICA T.BOMBA GS-4 GOMA	GS4 P.COVER RUBBER GASKET
J..91	RACOR ADMISION BOMBA	ADMISSION PUMP FITTING
J..92	JUNTA GOMA	RUBBER GASKET
J..95	FILTRO BOMBA RECTANGULAR	SQUARE PUMP FILTER
J..100	MANG.ASPI.GS4-4/2-8-8/2-9	GS4-4/2-8-8/2-9 SU.SLEEVE
J..105	MANGUITO ENVIO GS 8-8/2-9	GS 8-8/2-9 OUTLET SLEEVE
J..120	TOMA PRESOSTATO	PRESSURE SWITCH INTAKE
J..125	RACOR LAV8-8/2-9-82-100	8-8/2-9-82-100 WASH SPRAY
J..130	TAPON RACOR LAVADO GS9	GS9 WASHING SPRAY CAP
J..167	ESTRANGULADOR ACLARADO	RINSE SWIRL
J..185	EJE BRAZO GIRAT. GS 4-4/2	GS4-4/2 REVOLVING ARM ROD
J..195	ASTA ACLARADO SUP.GS4-4/2	GS4-4/2 UPPER RINSE ARM
J..200	ASTA ACLARADO SUP.GS8-8/2	GS 8-8/2 UPPER RINSE ARM
J..205	CODO 1/2 CALDERIN	CONNECTION ELBOW
J..215	CONO 4-4/2-8-8/2-9-80-100	4-4/2-8-8/2-9-80-100 CONE
J..220	MUELLE	SPRING
J..225	MUELLE GRANDE	GREAT SPRING
J..228	TORICA BRAZO LAVADO NBR	WASHING ARM RING
J..230	GIRATORIO ACLAR.GS 4-4/2	GS4-4/2 RINSE GYRATORY
J..235	T CALDERIN	BOILER T
J..245	TAPA MOTOR GS4/2-8/2-9	GS 4/2-8/2-9 MOTOR LID
J..250	TAPA MOTOR	MOTOR LID
J..260	TORICA	RING
J..275	CALDERIN GS-4/8	GS4-4/2-8-8/2-9 BOILER
J..280	TERMINAL GS8-8/2-80-100 SIN SU	GS8-8/2-80-100 TERMINAL
J..285	DISTRIBUIDOR LAVADO CTO.	WASHING DISTRIBUTOR
J..290	PROLONGACION BRAZO LAVADO	WASHING ARM EXTENSION
J..295	JUNTA BRAZO ALIMENTARIA	ARM ALIMENTARY GASKET
J..300	TUERCA PLASTICO	PLASTIC NUT
J..305	CODO DISTRIBUIDOR	DISTRIBUTOR ELBOW
J..315	JUNTA CODO ALIMENTARIA	ELBOW ALIMENTARY GASKET
J..320	JUNTA GOMA	RUBBER GASKET
J..324	SOPORTE GIRATORIO GS-4/8	GS-4/8 REVOLV.ARM SUPPORT
J..330	MOTOR BOM.0.33CV GS-4	0.33CV GS-4 MOTOR
J..332	MOTOR GS 8-8/2 0.75 CV	0.75CV GS 8-8/2 MOTOR
J..351	PASACABLES MOTOR GS-4	GS 4 WIRINGPIN
J..430	JUNTA GOMA	RUBBER GASKET
J..464	FILTRO BOMBA GS-8	GS-8 PUMP FILTER
J..465	ASTA ACLARADO INF.GS 8/2	GS 8/2 LOWER RINSE ARM
J..501	TUBO MALLA 6X12	6X12 PIPE
J..512	ROCIADOR ACLARADO	RINSE SPRAY
J..538	TUERCA 1/2» INOX	INOX 1/2» NUT
J..591	SURTAACLARADO GS 4-4/2 INOX	INOX RINSE SPRAY
LB..29	DEPOSITO ABRILL.CUADRADO	SQUARE RINS.AID CONTAINER
LB.170	ABRAZADERA 40-60	40-60 CLAMP
P.332	TUBO SILICONA 6X9	6X9 SILICONE PIPE
V..67	ABRAZADERA 16-27	16-27 CLAMP
V.2364	ABRAZADERA RAPIDA 12-13	12-13 QUICK CLAMP

REF.	DESCRIPCIÓN	DESCRIPTION
C.259	JUNTA ALIMENTARIA	ALIMENTARY GASKET
FA1032	BRIDA	CLASP
H26192	ABRAZADERA 25-40	25-40 CLAMP
H26192	RETEN EJE BOMBA	MECHANICAL SEAL
J.15	DEPOSITO ABRILLANTADOR	GS-3 RINSE AID CONTAINER
J.25	SOBRENIV. GS3-4-4/2-8-2/9	GS 4-4/2-8-2/9 OVE.PIPE
J.35	RACOR DESAGÜE COMPL.PLASTICO	DRAIN FITTING
J.40	SIFON DE.GS 4-4/2-8-2/9	GS 4-4/2-8-2/9 DR.ELBOW
J.60	BRAZO LAVADO GS-4 CTO.	GS4 WASHING ARM
J.61	BRAZO LAVADO GS-4/2	GS-4/2 WASHING ARM
J.71	TURBINA MOTOR GS-3	GS-3 GS-8 PUMP TURBINE
J.72	TURBINA MOTOR GS 4/2	GS 4/2 PUMP TURBINE
J.86	TORICA TAPA BOM.GS3 GOMA	GS3 PUMP.COV.RUBB.GASKET
J.90	FILTRO BOMBA 3-4/2-8-2/9	3-4/2-8/2-9 PUMP FILTER
J.91	RACOR ADMISION BOMBA	ADMISSION PUMP FITTING
J.92	JUNTA GOMA	RUBBER GASKET
J.100	MANG. ASPI. GS4-4/2-8-2/9	GS4-4/2-8-2/9 SU.SLEEVE
J.101	MANGUITO ASPIRACION GS-3	GS-3 SUCTION SLEEVE
J.106	MANGUITO ENVIO GS-3	GS-8 OUTLET SLEEVE
J.107	MANGUITO ENVIO GS-4/2	GS-4/2 OUTLET SLEEVE
J.120	TOMA PRESOSTATO	PRESSURE SWITCH INTAKE
J.123	RACOR LAVADO GS-3	GS-3 WASHING SPRAY FIT.
J.124	RACOR LAVADO GS-4/2	GS 4-4/2 WASHING SPRAY
J.130	TAPON RACOR LAVADO GS9	GS9 WASHING SPRAY CAP
J.160	ROCIADOR ACLARADO	RINSE SPRAY
J.166	ROCIADOR ACLARADO EXAGONAL	PLASTIC RINSE SPRAY
J.167	ESTRANGULADOR ACLARADO	RINSE SWIRL
J.168	JUNTA ROCIADOR GOMA	SPRAY RUBBER GASKET
J.184	EJE GIRATORIO GS-3	GS-3 REVOLVING ROD
J.185	EJE BRAZO GIRAT GS 4-4/2	GS4-4/2 REVOLVING ARM ROD
J.194	ASTA ACLARADO SUPGS-3	GS-3 UPPER RINSE ARM
J.195	ASTA ACLARADO SUPGS4-4/2	GS4-4/2 UPPER RINSE ARM
J.205	CODO 1/2 CALDERIN	CONNECTION ELBOW
J.214	CONO BRAZO LAVADO GS-3	GS-3 WASHING ARM CONE
J.215	CONO 4-4/2-8-2/9-80-100	4-4/2-8-2/9-80-100 CONE
J.220	MUELLE	SPRING
J.225	MUELLE GRANDE	GREAT SPRING
J.226	ARANDELA INOX	INOX WASHER
J.228	TORICA BRAZO LAVADO NBR	WASHING ARM RING
J.229	GIRATORIO ACLARADO GS-3	GS-3 RINSE GYRATORY
J.230	GIRATORIO ACLARADO GS-4/2	GS-4/2 RINSE GYRATORY
J.244	TAPA MOTOR GS-3 GS-8	GS-3 GS-8 MOTOR LID
J.245	TAPA MOTOR GS4/2-8/2-9	GS 4/2-8/2-9 MOTOR LID
J.274	CALDERIN GS-3	GS3 BOILER
J.275	CALDERIN GS-4/8	GS4-4/2-8-2/9 BOILER
J.315	JUNTA CODO ALIMENTARIA	ELBOW ALIMENTARY GASKET
J.320	JUNTA GOMA	RUBBER GASKET
J.323	SOPORTE GIRATORIO GS-3	GS-3 REVOLVING ARM SUPPOR
J.331	MOTOR BO.0.5CV.GS 4/2-GS6	0.5CV GS-4/2 MOTOR
J.363	DEPOSITO SAL	SALT CONTAINER
J.364	TERMINAL BRAZ.GS 3-4-4/2 SIN R	GS 3-4-4/2 ARM TERMINAL
J.366	TAPON DIST.LAVADO GS-4/2	GS-4/2 WASHING DISTR.CAP
J.367	DISTRIBUIDOR LAVADO GS-3	GS-3 WASHING DISTRIBUTOR
J.368	DISTRIB. LAVADO GS 4-4/2	GS 4-4/2 WASHING DISTRIB.
J.430	JUNTA GOMA	RUBBER GASKET
J.466	SOPORTE GIRATORIO GS-4/2	GS4/2 REVOLVARM SUPPORT
J.475	TORNILLO ALLEN	ALLEN SCREW
J.576	TAPON DISTRIB.LAVADO GS/3	GS/3 WASHING DISTRIB.CAP
J.584	T DISTRIBUIDOR ACLARADO	T RINSE DISTRIBUTOR
J.591	SURTAACLARADO GS 4-4/2 INOX	INOX RINSE SPRAY
K.409	CONDENSADOR 6MF	220V 6MF CONDENSER
LAV140	RETEN EJE BOMBA	MECHANICAL SEAL
LAV219	JUNTA TAPA MOTOR GOMA	MOTOR LID RUBBER GASKET
LAV900	DEPURADOR LAVATAZAS	WASHING CUP PURIFIER
LB.29	DEPOSITO ABRILL. CUADRADO	SQUARE RINS.AID CONTAINER
LB.157	MOTOR LAV.15CV	0.15CV WASHING MOTOR
LB.170	ABRAZADERA 40-60	40-60 CLAMP
V.5	TUBO GOMA 10X16 20 ATM	20ATM 10X17 RUBBER PIPE
V.56	CONDENSADOR 12.5 MF 220V	12.5MF 220V CONDENSER
V.62	ABRAZADERA 12-20	12-20 CLAMP
V.201	TUBO DESAGÜE 28mm, 1.5mt.	28mm, 1.5mt OUTLET PIPE
V.415	TOMA LAVADORA 1.5M	QUALITY 1.5M.INLET W.FLEX
V.449	TUBO NYLON 4X6mm (1MT)	(1M) 4X6mm NYLON PIPE
V.546	JUNTA GOMA 3/4	WATER INLET RUBBER GASKET
V.815	TOMA LAVADORA 2 METROS	2 MT.INLET WATER FLEXIBLE
V.848	TOMA LAVADORA 1.5M INOX	INOX 1.5M INLET WATER FL.
V.849	TOMA LAV.INOX 2MT.3/4X3/4	INOX 2MT.INLET WATER FLE.



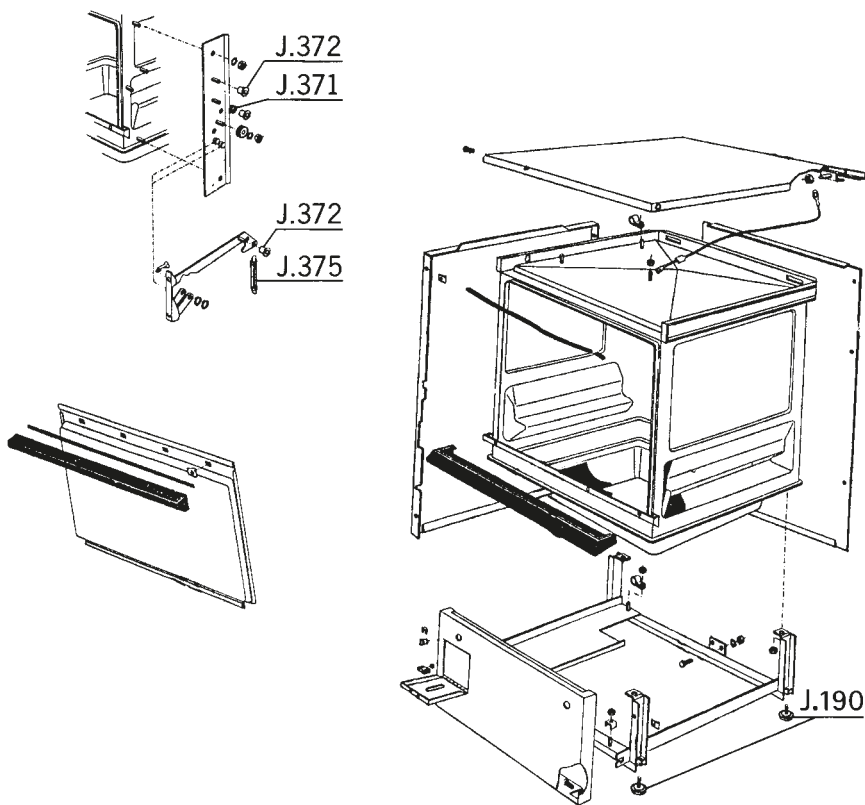
REF.	DESCRIPCIÓN	DESCRIPTION
C.259	JUNTA ALIMENTARIA	ALIMENTARY GASKET
FA1032	BRIDA	CLASP
FJ.18	JUNTA CRISTAL NIVEL ALIMENTARI	LEVEL CRYSTAL ALIMENT.GASKET
H26192	RETEN EJE BOMBA	MECHANICAL SEAL
J.25	SOBRENIV. GS3-4-4/2-8-2/9	GS 4-4/2-8-2/9 OVE.PIPE
J.35	RACOR DESAGÜE COMPL.PLASTICO	DRAIN FITTING
J.40	SIFON DE.GS 4-4/2-8-2/9	GS 4-4/2-8-2/9 DR.ELBOW
J.65	BRAZO LAVADO GS8/8-2 CTO.	GS 8-8/2 WASHING ARM
J.66	BRAZO LAVADO GS-9 CTO.	GS9 WASHING ARM
J.75	TURBINA MOTOR GS-8/2 GS-9	GS-8/2 GS-9 PUMP TURBINE
J.90	FILTRO BOMBA 3-4/2-8-2/9	3-4/2-8/2-9 PUMP FILTER
J.91	RACOR ADMISION BOMBA	ADMISSION PUMP FITTING
J.92	JUNTA GOMA	RUBBER GASKET
J.100	MANG. ASPI. GS4-4/2-8-2/9	GS4-4/2-8-2/9 SU.SLEEVE
J.105	MANGUITO ENVIO GS 8-8/2-9	GS 8-8/2-9 OUTLET SLEEVE
J.120	TOMA PRESOSTATO	PRESSURE SWITCH INTAKE
J.125	RACOR LAV.8-8/2-9-82-100	8-8/2-9-82-100 WASH SPRAY
J.130	TAPON RACOR LAVADO GS9	GS9 WASHING SPRAY CAP
J.135	TAPON RACOR LAV.GS 8-8/2	GS8-8/2 WASHING SPRAY CAP
J.166	ROCIADOR ACLARADO EXAGONAL	PLASTIC RINSE SPRAY
J.167	ESTRANGULADOR ACLARADO	RINSE SWIRL
J.168	JUNTA ROCIADOR GOMA	SPRAY RUBBER GASKET
J.186	EJE BRAZO GIRATOR.GS9	GS9 REVOLVING ARM ROD
J.200	ASTA ACLARADO SUP.GS8-8/2	GS-9 UPPER RINSE ARM
J.201	ASTA ACLARADO SUP.GS-9	GS-9 UPPER RINSE ARM
J.205	CODO 1/2 CALDERIN	CONNECTION ELBOW
J.211	ASTA ACLARADO INF.GS-9	GS-9 LOWER RINSE ARM
J.215	CONO 4-4/2-8-2/9-80-100	4-4/2-8-2/9-80-100 CONE
J.220	MUELLE	SPRING
J.225	MUELLE GRANDE	GREAT SPRING
J.226	ARANDELA INOX	INOX WASHER
J.228	TORICA BRAZO LAVADO NBR	WASHING ARM RING
J.231	GIRAT.ACLA.GS 8-8/2-9 RECTO	GS8-8/2-9 RINSE STRAIGHT GYR.
J.235	T CALDERIN	BOILER
J.245	TAPA MOTOR GS4-2/8-2/9	GS 4-2-8/2-9 MOTOR LID
J.275	CALDERIN GS-4/8	GS4-4/2-8-2/9 BOILER
J.280	TERMINAL GS8-8/2-80-100 SIN SU	GS8-8/2-80-100 TERMINAL
J.285	DISTRIBUIDOR LAVADO CTO.	WASHING DISTRIBUTOR
J.290	PROLONGACION BRAZO LAVADO	WASHING ARM EXTENSION
J.295	JUNTA BRAZO ALIMENTARIA	ARM ALIMENTARY GASKET
J.300	TUERCA PLASTICO	PLASTIC NUT
J.305	CODO DISTRIBUIDOR	DISTRIBUTOR ELBOW
J.310	JUNTA GOMA DISTRIBUIDOR	DISTRIBUTOR RUBBER GASKET
J.315	JUNTA CODO ALIMENTARIA	ELBOW ALIMENTARY GASKET
J.320	JUNTA GOMA	RUBBER GASKET
J.332	MOTOR GS 8-8/2 0.75 CV	0.75CV GS 8-8/2 MOTOR
J.333	MOTOR GS-9 COMPLETO 1 C.V.	1 CV GS 9 MOTOR
J.363	DEPOSITO SAL	SALT CONTAINER
J.365	TERMINAL BRAZ.LAVADO GS-9 SIN	GS-9 WASHING ARM TERMINAL
J.430	JUNTA GOMA	RUBBER GASKET
J.465	ASTA ACLARADO INF.GS 8/2	GS 8/2 LOWER RINSE ARM
J.592	MOTOR GS-9 TRIFISICO	GS-9 THREE-PHASE MOTOR
J.594	GIRATORIO ACLARADO GS 9 MODERO	MODERN GS-9 RINSE GYRATORY
J.601	CALDERIN GS-4/2,8 Y 9	GS-9 BOILER
K.409	CONDENSADOR 6MF	220V 6MF CONDENSER
LAV219	JUNTA TAPA MOTOR GOMA	MOTOR LID RUBBER GASKET
LAV900	DEPURADOR LAVATAZAS	WASHING CUP PURIFIER
LB.29	DEPOSITO ABRILL. CUADRADO	SQUARE RINS.AID CONTAINER
LB.170	ABRAZADERA 40-60	40-60 CLAMP
V.5	TUBO GOMA 10X16 20 ATM	20ATM 10X17 RUBBER PIPE
V.62	ABRAZADERA 12-20	12-20 CLAMP
V.201	TUBO DESAGÜE 28mm, 1.5mt.	28mm, 1.5mt OUTLET PIPE
V.415	TOMA LAVADORA 1.5M	QUALITY 1.5M.INLET W.FLEX
V.449	TUBO NYLON 4X6mm (1MT)	(1M) 4X6mm NYLON PIPE
V.546	JUNTA GOMA 3/4	WATER INLET RUBBER GASKET
V.815	TOMA LAVADORA 2 METROS	2 MT.INLET WATER FLEXIBLE
V.848	TOMA LAVADORA 1.5M INOX	INOX 1.5M INLET WATER FL.
V.849	TOMA LAV.INOX 2MT.3/4X3/4	INOX 2MT.INLET WATER FLE.





REF.	DESCRIPCIÓN	DESCRIPTION
ARI.14	DOSIFICADOR ABRILLANTADOR	RINSE AID DOSIMETER
FJ.34	PRENSAESTOPA	STUFFING BOX NUT
H25211	VALVULA ABRILLANTADOR	VALVE
J...0	TERMOSTATO 0-90°	0-90° THERMOSTAT
J...5	RESIST.CALDERIN 2600W VAINA	2800W 230V BOILER RESISTANCE
J...6	RESIST.CUBA 1800W 230V	1800W 230V TANK RESISTANCE
J...17	MEMBRANA DOSIFICADOR	DOSIMETER MEMBRANE
J...20	DOSIFICADOR ABRILLANTADOR	RINSE AID DOSIMETER
J...50	PROGRAMADOR TODOS MODELOS	ALLS MODELS TIMER
J...51	PRO.REGENERACION 3MIC.80S	3TOOT.20m REGENERAT.TIMER
J...55	INTERRUPTOR GENERAL	GENERAL SWITCH
J..173	PULSADOR CICLO AMBAR GS3	GS3 BLUE PUSH BUTTON
J..180	PILOTO VERDE TEMPERATURA	GREEN TEMPERATURE LAMP
J..255	INTERRUPGENERAL MODERNO	MODERN GENERAL SWITCH
J..265	MANDO PROGRAMADOR	TIMER HANDLE
J..270	TERMOSTATO ROSCADO 90°	90° SCREW THERMOSTAT
J..345	ENTRADAS DOSIFICADOR	DOSIMETER FITTING INLET
J..350	TORICA ENTRADA GOMA	RUBBER INLET RING
J..369	MICRO PUERTA 250V 16A	250V 16A DOOR MICROSWITCH
J..370	MUELLE MICRO PUERTA	MICROSWITCH SPRING
J..468	PLETINA RESISTENCIA	RESISTANCE IRON PLATE
J..469	PROTECTOR RESISTENCIA	RESISTANCE PROTECTOR
J..476	PRENSAESTOPA	STUFFING BOX NUT
J..564	BOBINA DOSIFICADOR	DOSIMETER ELECTRO-MAGNET
J..565	BULON DOSIFICADOR	DOSIMETER CAP
J..566	EMPUJADOR MEMBRANA	MEMBRANE PUSH
J..567	EJE MEMBRANA	MEMBRANE ROD
J..568	MUELLE DOSIFICADOR	DOSIMETER SPRING
J..569	TAPA DOSIFICADOR	DOSIMETER LID
J..570	CUERPO DOSIFICADOR	DOSIMETER BODY
J..571	ARO VALVULA	VALVE RING
J..585	RESISTENCIA CALD.GS9 400V 4500	GS9 400V BOILER RESISTAN.
J..586	RESISTENCIA CUBA 4500W 380V	GS9 380V TANK RESISTANCE
J..595	VARILLA MICRO	MICRO ROD
LAV118	TORICA GOMA	RING
LB..23	INTERRUPTOR 4FAXTON VERDE	GREEN 4 FAXTON SWITCH
LB.124	PILOTO VERDE 220V	220V GREEN WARNING LAMP
LF.700	PRESOSTATO SAL/HOR.80/50	50/80 HORIZ.PRESS SWITCH
V..133	ELECTROVAL.2 VIA LAV.220V	WASH 2 WAYS 220V SOLENOID
V..826	ELECTROV.3 VIAS CAU.0.5	CAUL.0.5 3WAYS SOLENOID
WL2032	PULSADOR AMBAR 4FAXTON	4 FAXTON YELLOW P.BUTTON

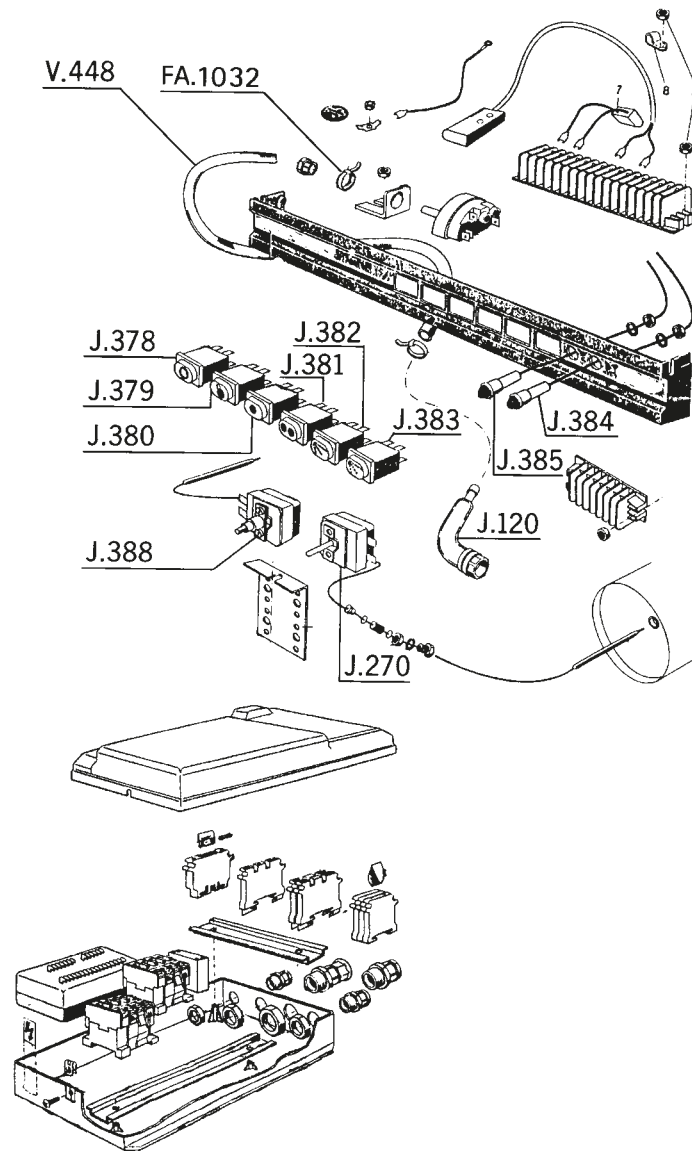
Carrocería GS-14 / GS-15 antiguos ■ GS-14 / GS-15 old Bodywork 1162



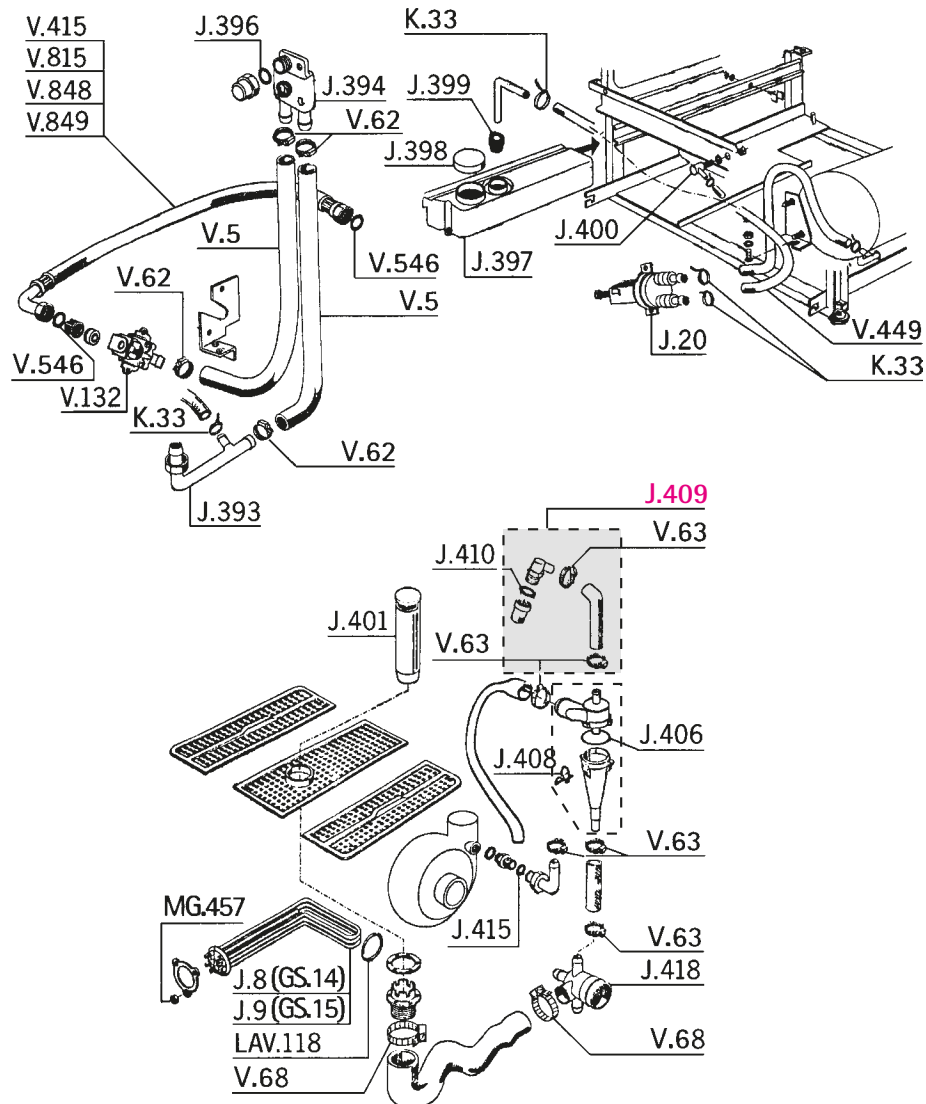
REF.	DESCRIPCIÓN	DESCRIPTION
J..190	PATA MAQUINA	MACHINE FOOT
J..371	MUELLE PUERTA DERECHO	RIGHT DOOR SPRING
J..372	MUELLE PUERTA IZQUIERDO	LEFT DOOR SPRING
J..375	MUELLE BISAGRA PUERTA	DOOR LEVER SPRING

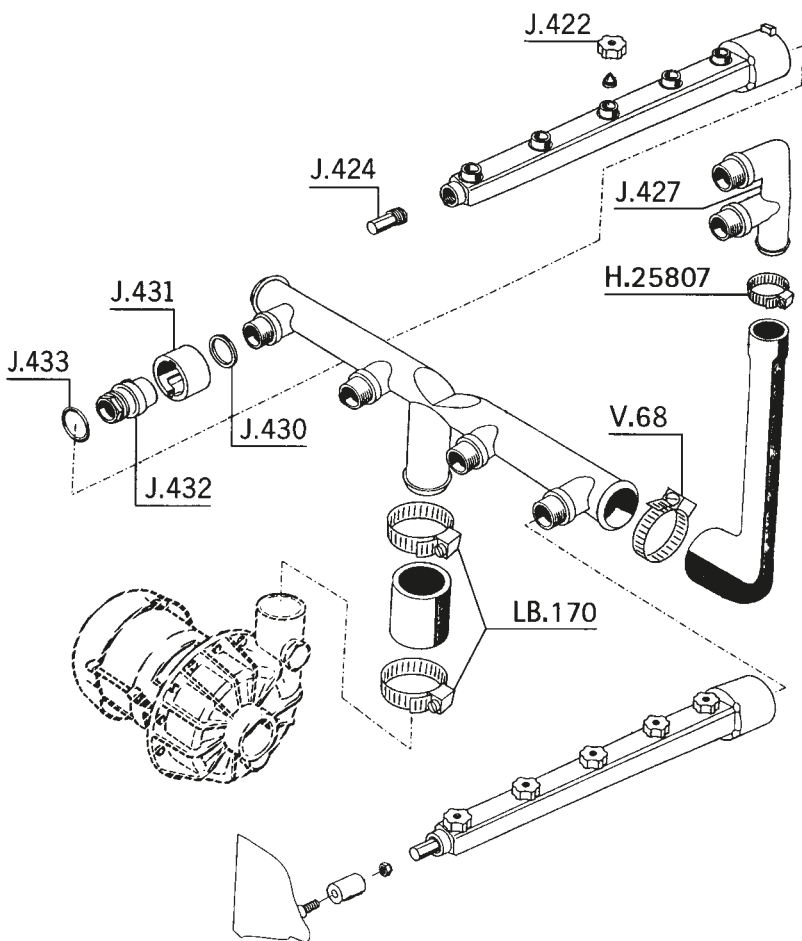


REF.	DESCRIPCIÓN	DESCRIPTION
FA1032	BRIDA	CLASP
J..120	TOMA PRESOSTATO	PRESSURE SWITCH INTAKE
J..270	TERMOSTATO ROSCADO 90°	90° SCREW THERMOSTAT
J..378	INTERR.PUESTA MARCHA VERD	ON/OFF SWITCH
J..379	PILOTO TEMPERATURA 230 V	230V TEMPERATURE LAMP
J..380	PULSADOR PROGRAMA 1	PROGRAM 1 PUSH-BUTTON
J..381	PULSADOR PROGRAMA 2	PROGRAM 2 PUSH-BUTTON
J..382	INTERRUPTOR LAVADO	WASH SWITCH
J..383	PULSADOR ACLARADO	RINSE PUSH-BUTTON
J..384	PILOTO ROJO 12 V	12V RED LAMP
J..385	PILOTO AMARILLO 12 V	12V YELLOW LAMP
J..388	TERMOSTATO SEGURIDAD 140°	SAFETY THERMOSTAT
V..448	TUBO PRESOSTATO-METRO 4X6	4X6 PRE.SWITCH INLET PIPE

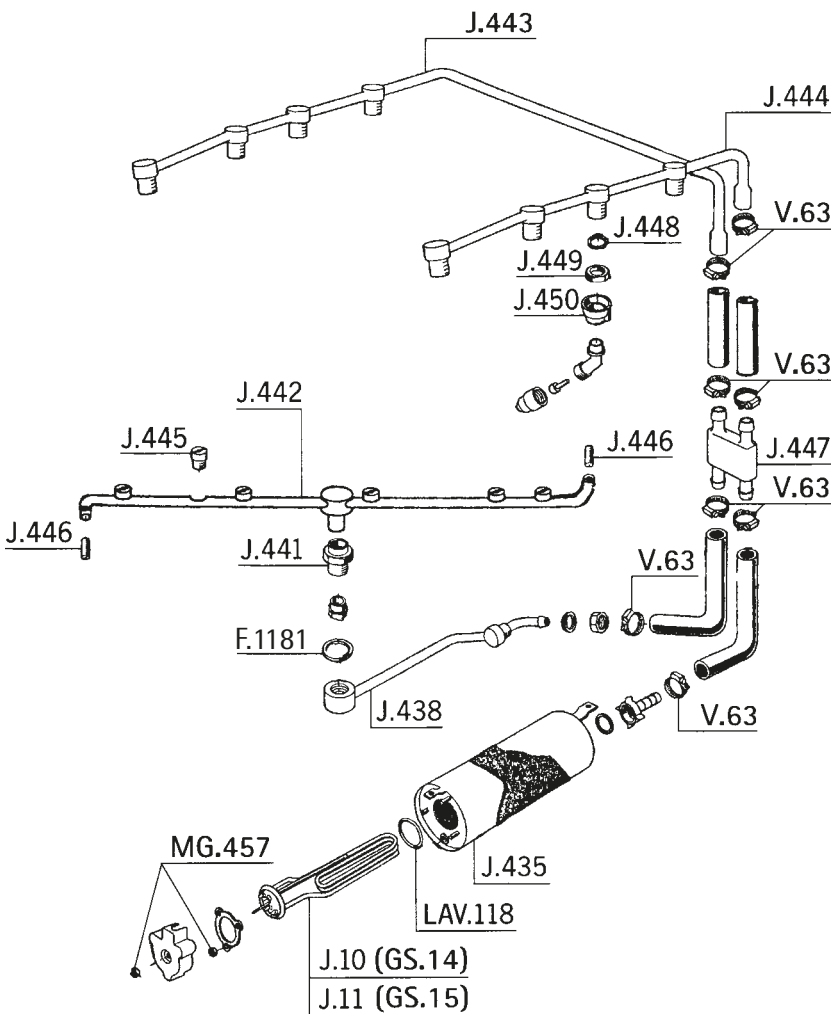


REF.	DESCRIPCIÓN	DESCRIPTION
J....8	REST.CUBA GS14 2200W 240V	GS-14 2200W 240V TANK RES
J....9	REST.CUBA GS15 5000W 400V	GS-15 5000W400V TANK RES
J...20	DOSIFICADOR ABRILLANTADOR	RINSE AID DOSIMETER
J..393	RACOR ENTRADA AGUA BOILER	BOILER INLET FITTING
J..394	INTERCAMB.ENTRADA AGUA	INLET WATER EXCHANGER
J..396	JUNTA TAPON INTER.KLINGER	STOPPER EXCHEN.KLI.GASKET
J..397	DEPOSITO ABRILLANTADOR	RINSE AID CONTAINER
J..398	TAPON DEPOSITO ABRILLANT.	RINSE AID CONTAINER CAP
J..399	REDUCCION DPSITO.ABRILLAN	RINSE AID CONTAINER REDUC
J..400	RACOR DOSIFICACION DETERG	DOSING DETERGENT FITTING
J..401	SOBRENIVEL	OVERFLOW
J..406	TORICA CONO DESAGÜE GS-15	GS-15 DRAIN RING
J..408	MUELLE CIERRE CONO	CLOSE SPRING
J..409	CTO.ENTRADA AGUA GS-15	GS-15 INLET FITTING COMPLET
J..410	JUNTA ENT.AGUA GS-15 ALIM	GS-15 INLET ALIMEN.GASKET
J..415	JUNTA KLINGERIT	KLINGERIT GASKET
J..418	DISTRIBUIDOR DESAGÜE	DISTRIBUTOR
K...33	BRIDA CABLE	WIRING CLASP
LAV118	TORICA GOMA	RING
MG.457	TUERCA	NUT
V...5	TUBO GOMA 10X16 20 ATM	20ATM 10X17 RUBBER PIPE
V...62	ABRAZADERA 12-20	12-20 CLAMP
V...63	ABRAZADERA 20-32	20-35 CLAMP
V...68	ABRAZADERA 32-50	35-50 CLAMP
V..132	ELECTROVAL.1 VIA LAV.220V	WASH 1 WAY 220V SOLENOID
V..415	TOMA LAVADORA 1,5M	QUALITY 1.5M.INLET W.FLEX
V..449	TUBO NYLON 4X6mm (1MT)	(1M) 4X6mm NYLON PIPE
V..546	JUNTA GOMA 3/4	WATER INLET RUBBER GASKET
V..815	TOMA LAVADORA 2 METROS	2 MT.INLET WATER FLEXIBLE
V..848	TOMA LAVADORA 1.5M INOX	INOX 1.5M INLET WATER FL.
V..849	TOMA LAV.INOX 2MT.3/4X3/4	INOX 2MT.INLET WATER FLE.



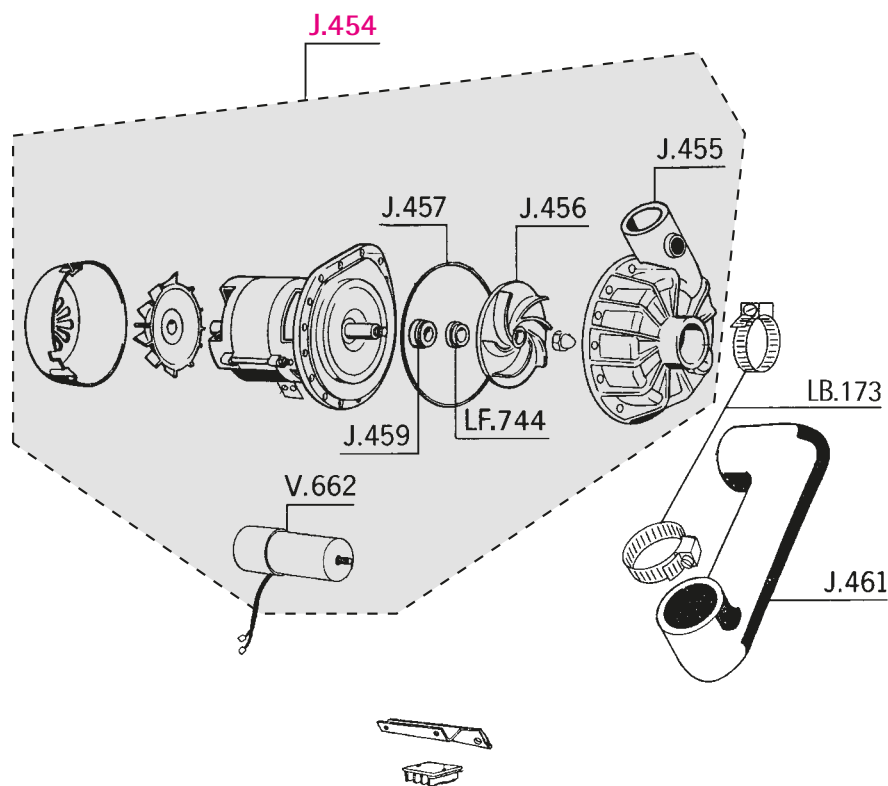


REF.	DESCRIPCIÓN	DESCRIPTION
H25807	ABRAZADERA 25-40	25-40 CLAMP
J..422	ROCIADOR LAVADO	WASHING SPRAY
J..424	TERMINAL BRAZO LAVADO	WASHING ARM TERMINAL
J..427	SOPORTE SUP.BRAZO LAVADO	WASHING ARM SUPPORT
J..430	JUNTA GOMA	RUBBER GASKET
J..431	CASQUILLO UNION BRAZO LAV	UNION PIPE CAP
J..432	RACOR UNION BRAZO LAVADO	WASHING ARM FITTING
J..433	TORICA GOMA	RING
LB.170	ABRAZADERA 40-60	40-60 CLAMP
V..68	ABRAZADERA 32-50	35-50 CLAMP

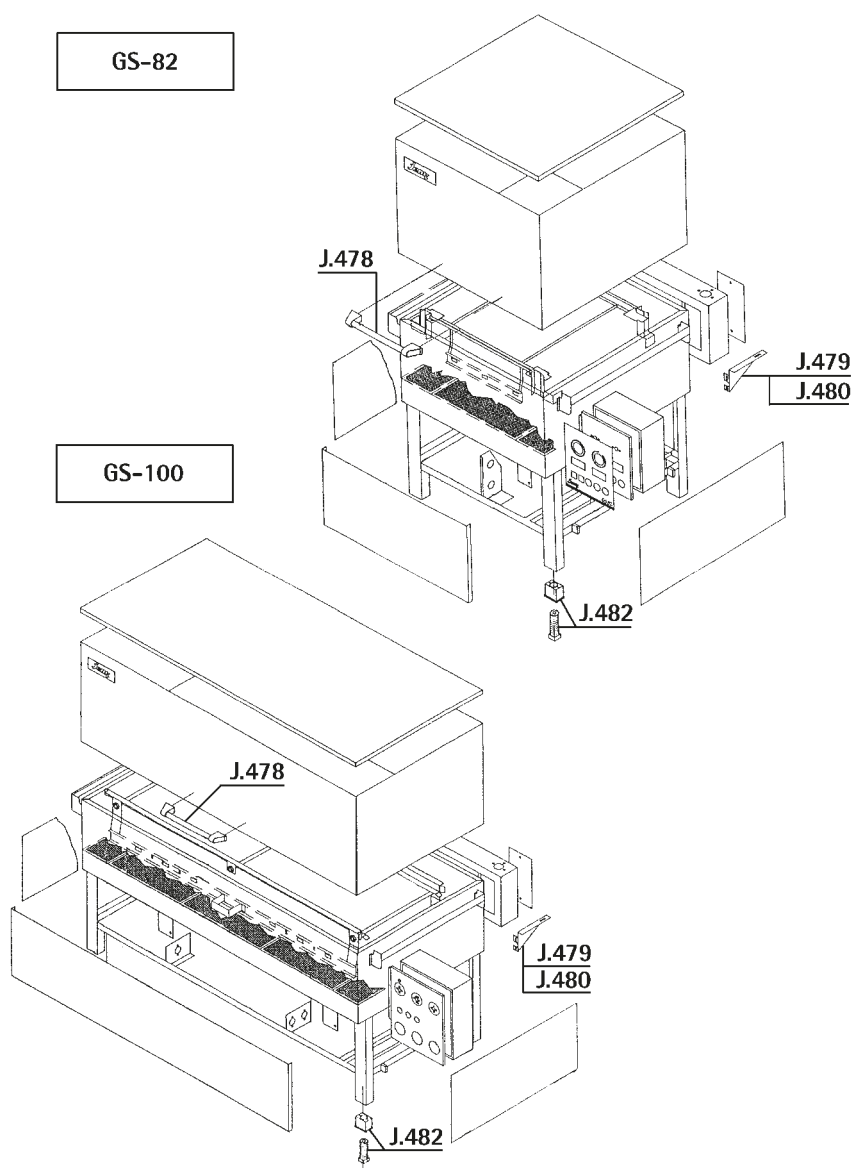


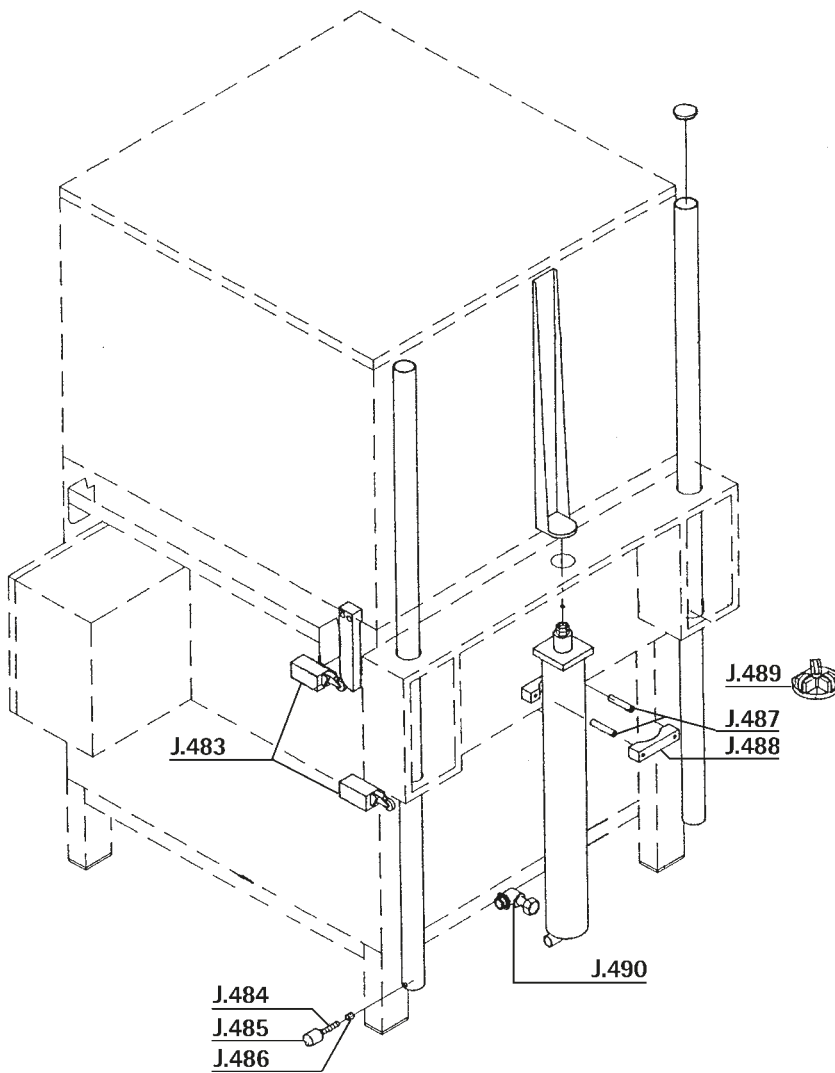
REF.	DESCRIPCIÓN	DESCRIPTION
F.1181	JUNTA ALIMENTARIA	ALIMENTARY GASKET
J...10	RESIS.CALDERIN GS14 2200W	GS-14 2200W BOILER RESIST
J...11	RESIS.CALDERIN GS15 5000W 230V	GS-15 5000W BOILER RESIST
J..435	CALDERIN GS-14/GS-15	GS14/15 BOILER
J..438	SOP.GIRAT.ACLAR.GS14/GS15	GS-14/15 ARM SUPPORT
J..441	RACOR GIRATORIO ACLARADO	REVOLVING ARM FITTING
J..442	GIRATORIO ACLAR.GS14/GS15	GS-14/15 RINSE GYRATORY
J..443	ASTA ACLR.SUP.IZD GS14/15	GS14/15 LEFT RINSE ARM
J..444	ASTA ACLR.SUP.DCH GS14/15	GS14/15 HIGH RINSE ARM
J..445	ROCIAD.ACLAR.INF.GS14/15	GS14/15 LOWER RINSE SPRAY
J..446	TORNILLO GIRAT.ACLAR. INOX	REVOLTING ARM SPRAY
J..447	DISTRIB.ARBOLES ACLARADO	ARMS RINSE DISTRIBUTOR
J..448	ARANDELA GOMA	RUBBER WASHER
J..449	TUERCA ROCIADOR ACLAR.SUP	RINSING SPRAY NUT
J..450	CAZOLETA ROCIAD.ACLAR.SUP	UPPER WASH SPRAY TRAY
LAV118	TORICA GOMA	RING
MG.457	TUERCA	NUT
V...63	ABRAZADERA 20-32	20-35 CLAMP

REF.	DESCRIPCIÓN	DESCRIPTION
J..454	MOTOR BOMBA GS14/GS15 1CV	1CV GS-14/15 MOTOR
J..455	TAPA SUPERIOR MOTOR BOMBA	MOTOR LID
J..456	TURBINA MOTOR BOMBA	MOTOR TURBINE
J..457	TORICA MOTOR BOMBA GOMA	MOTOR RUBBER RING
J..459	CERAMICA RETEN MOTOR BOMB	CERAMIC GASKET
J..461	MANGUITO ASPIRACION	SUCTION SLEEVE
LB.173	ABRAZADERA 60-80	60-80 CLAMP
LF.744	RETEN CERAMICA BOMBA	MECHANICAL SEAL
V..662	CONDENSADOR 20 MF 220V	220V 20 MF CONDENSER



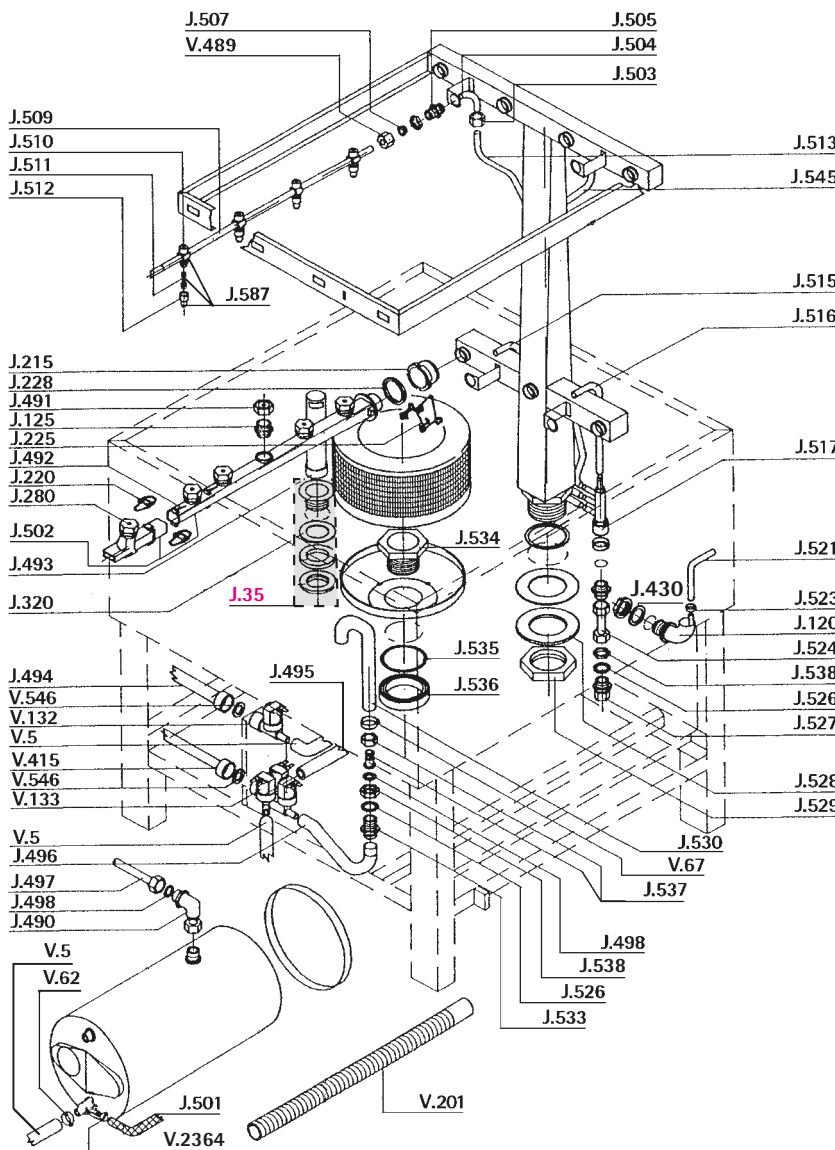
REF.	DESCRIPCIÓN	DESCRIPTION
J..478	MANETA CAMPANA	BELL HANDLE
J..479	SOPORTE MESA DERECHO	RIGHT TABLE SUPPORT
J..480	SOPORTE MESA IZQUIERDO	LEFT TABLE SUPPORT
J..482	PATA REGULABLE	ADJUSTABLE FOOT





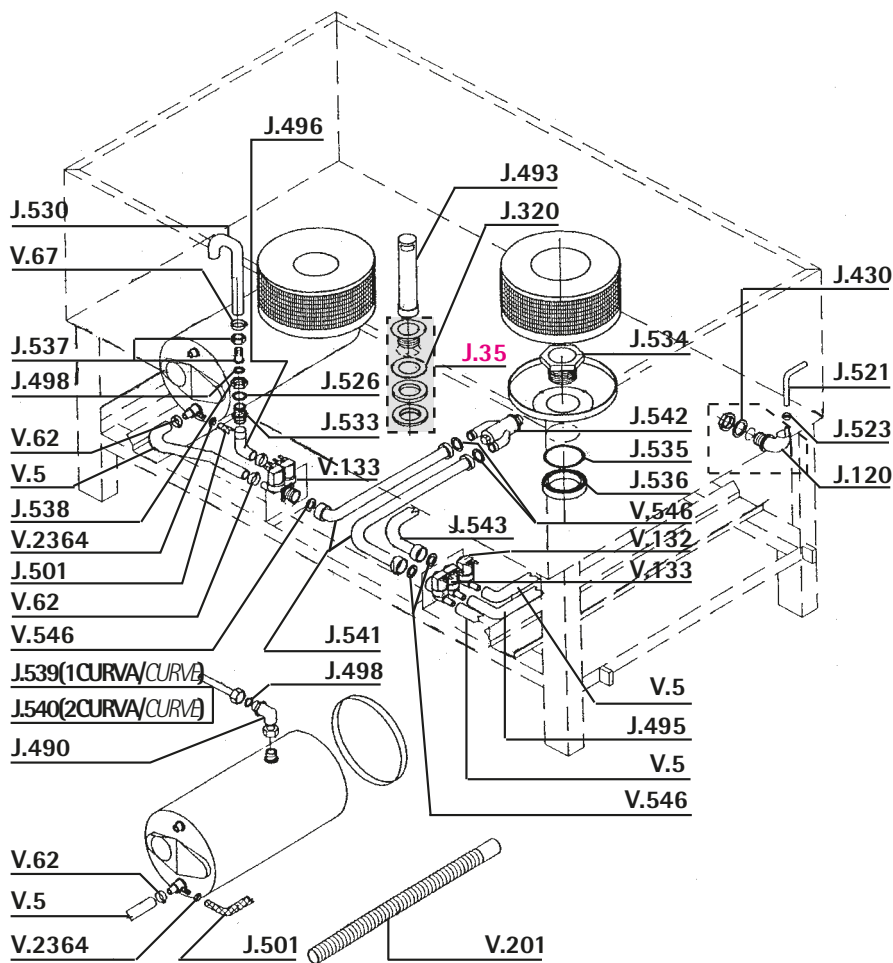
REF.	DESCRIPCIÓN	DESCRIPTION
J..483	FINAL DE CARRERA	ENDSTROKE
J..484	ESPARRAGO INOX	INOX HEADLESS SCREW
J..485	EMPUJADOR FINAL D CARRERA	ENDSTROKE PUSH
J..486	CASQUILLO	CAP
J..487	CASQUILLO TOPE PISTON	PISTON STOP CAP
J..488	BRIDA PISTON	PISTON STOP
J..489	CABALLETE 3 RODAMIENTOS	3 ROLLER SAWHORSE
J..490	CODO 1/2»	1/2» ELBOW

Lavado / Aclarado GS-82 antiguos ■ GS -82 old Wash / Rinse

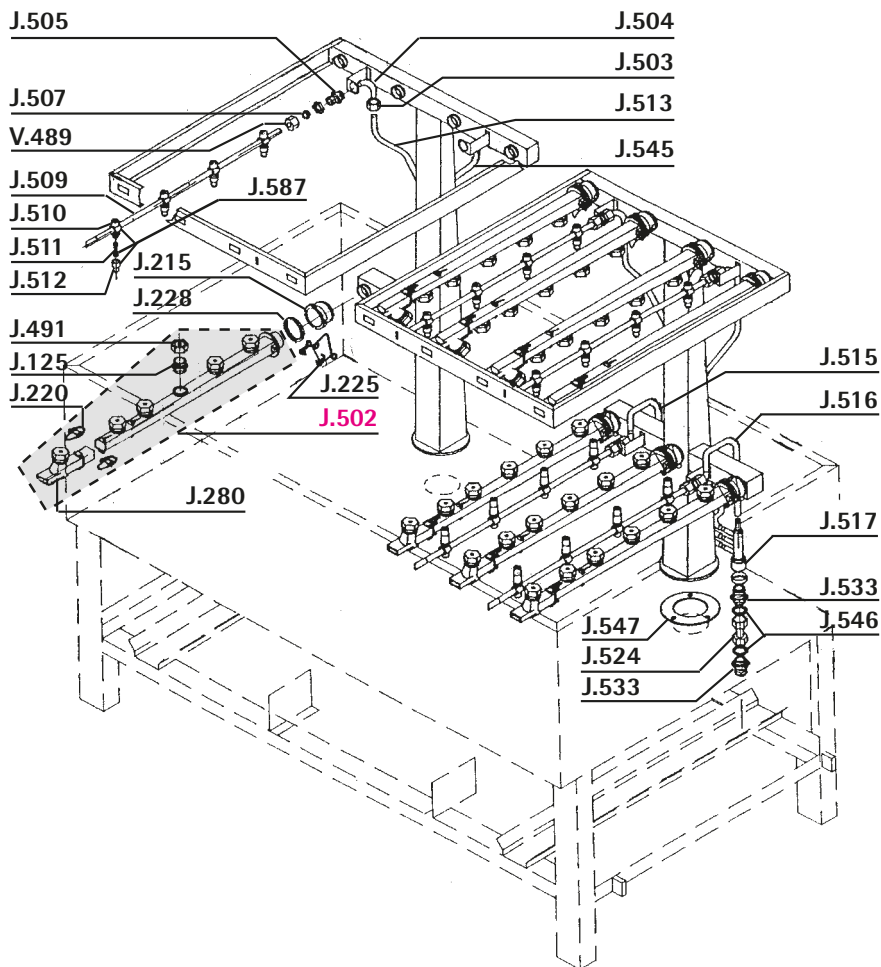


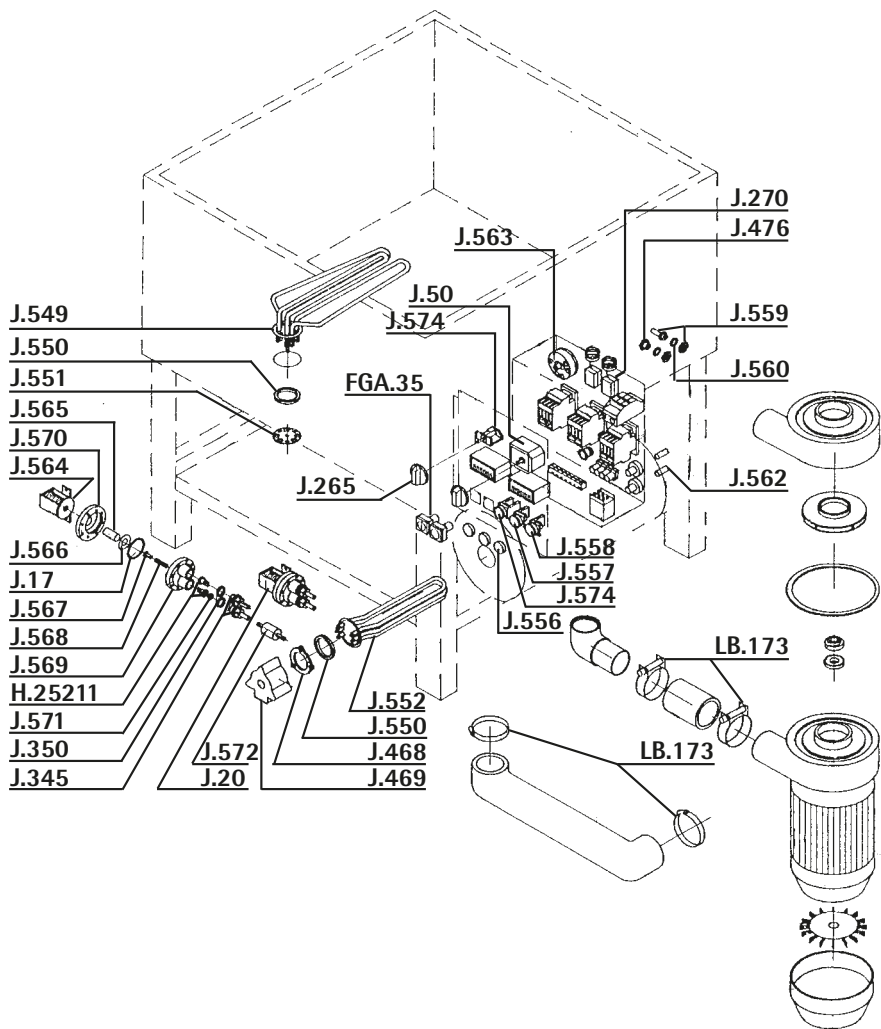
REF.	DESCRIPCIÓN	DESCRIPTION
J...35	RACOR DESAGÜE COMPL.PLASTICO	DRAIN FITTING
J..120	TOMA PRESOSTATO	PRESSURE SWITCH INTAKE
J..125	RACOR LAV.8-8/2-9-82-100	8-8/2-9-82-100 WASH SPRAY
J..215	CONO 4-4/2-8-8/2-9-80-100	4-4/2-8-8/2-9-80-100 CONE
J..220	MUELLE	SPRING
J..225	MUELLE GRANDE	GREAT SPRING
J..228	TORICA BRAZO LAVADO NBR	WASHING ARM RING
J..280	TERMINAL GS8-8/2-80-100 SIN SU	GS8-8/2-80-100 TERMINAL
J..320	JUNTA GOMA	RUBBER GASKET
J..430	JUNTA GOMA	RUBBER GASKET
J..490	CODO 1/2»	1/2» ELBOW
J..491	TAPON LAVADO GS.82-100	GS.82-100 WASH CAP
J..492	BRAZO LAVADO GS.82-100 SOLO	GS.82-100 WASH ARM
J..493	SOBRENIVEL GS82-100 Y GS41/3	GS82-100 GS41/3 OVERFLOW
J..494	TUBO DESAGUE ELECTROVALV.	SOLENOID OUTLED PIPE
J..495	TUBO ENTRADA AGUA PISTON	PISTON WATER INLET PIPE
J..496	TUBO ENTRADA AGUA A CUBA	TANK WATER INLET PIPE
J..497	TUBO CALDERIN	BOILER PIPE
J..498	JUNTA GOMA 10X18X2	14X18X2 RUBBER GASKET
J..501	TUBO MALLA 6X12	6X12 PIPE
J..502	BRAZO LAVADO COMPLETO	COMPLET WASH ARM
J..503	TUERCA 3/8 CODO GS.82-100	GS.82-100 ELBOW NUT
J..504	CODO DISTRIBUIDOR ACLARA.	RINSE DISTRIBUTOR ELBOW
J..505	RACOR 3/8 BRAZO ACLARADO	RINSE ARM 3/8 FITTING
J..507	CASQUILLO NYLON	NYLON CAP
J..509	BRAZO ACLA.CTO.GS.82-100	GS.82-100 RINSE ARM
J..510	RACOR ROCIADOR GS.82-100	GS.82-100 SPRAY FITTING
J..511	ESTRANGULADOR ACLARADO	RINSING SWIRL
J..512	ROCIADOR ACLARADO	RINSE SPRAY
J..513	TUBO DISTRIB.SUPIZQ.	LEFT UPPER DISTRIB.PIPE
J..515	TUBO DISTRIB.INFIZQUIERDO	LEFT LOWER DISTRIB.PIPE
J..516	TUBO DISTRIB.INFDERECHO	RIGHT LOWER DISTRIB.PIPE
J..517	DISTRIBUIDOR ACLARADO	RINSE DISTRIBUTOR
J..521	TUBO P.V.C. 5X9 AZUL	BLUE 5X9 P.V.C. PIPE
J..523	ABRAZADERA 9,5-10	9,5-10 CLAMP
J..524	ALARGO DISTRIBUIDOR 1/2»	1/2» DISTRIBUTOR ADAPTER
J..526	JUNTA FIBRA 20X26X2	20X26X2 FIBRE GASKET
J..527	ENLACE DISTRIBUIDOR	DISTRIBUTOR LINK
J..528	ARANDELA INOX 59X105X5	59X105X5 INOX WASHER
J..529	TUERCA GALVANIZADA 2»	2» NUT
J..530	TUBO ENTRADA AGUA A CUBA	INLET TO TANK PIPE
J..533	RACOR 1/2»	1/2» FITTING
J..534	TUERCA SUJECION BOMBA	PUMP FIXING NUT
J..535	TORICA DISTANCIADOR	DISTANCER RING
J..536	DISTANCIADOR MOTOR	MOTOR DISTANCER
J..537	RACOR MANGUERA INOX	INOX FITTING PIPE
J..538	TUERCA 1/2» INOX	INOX 1/2» NUT
J..545	TUBO DISTR.ACLA.SUPDCHO.	RIGHT UPPER DISTRIBU.PIPE
J..587	ROCIADOR COMPLETO	COMPLET SPRAY
V...5	TUBO GOMA 10X16 20 ATM	20ATM 10X17 RUBBER PIPE
V..62	ABRAZADERA 12-20	12-20 CLAMP
V..67	ABRAZADERA 16-27	16-27 CLAMP
V..132	ELECTROVALV.1 VIA LAV.220V	WASH 1 WAY 220V SOLENOID
V..133	ELECTROVALV.2 VIA LAV.220V	WASH 2 WAYS 220V SOLENOID
V..201	TUBO DESAGÜE 28mm. 1,5mt.	28mm. 1.5mt OUTLET PIPE
V..415	TOMA LAVADORA 1,5M	QUALITY 1.5M. INLET W.FLEX
V..489	TUERCA 3/8 PARA BICONO	3/8 FOR BICONE NUT
V..546	JUNTA GOMA 3/4	WATER INLET RUBBER GASKET
V.2364	ABRAZADERA RAPIDA 12-13	12-13 QUICK CLAMP

REF.	DESCRIPCIÓN	DESCRIPTION
J...35	RACOR DESAGÜE COMPL.PLASTICO	DRAIN FITTING
J..120	TOMA PRESOSTATO	PRESSURE SWITCH INTAKE
J..320	JUNTA GOMA	RUBBER GASKET
J..430	JUNTA GOMA	RUBBER GASKET
J..490	CODO 1/2»	1/2» ELBOW
J..493	SOBRENIVEL GS82-100 Y GS41/3	GS82-100 GS41/3 OVERFLOW
J..495	TUBO ENTRADA AGUA PISTON	PISTON WATER INLET PIPE
J..496	TUBO ENTRADA AGUA A CUBA	TANK WATER INLET PIPE
J..498	JUNTA GOMA 10X18X2	10X18X2 RUBBER GASKET
J..501	TUBO MALLA 6X12	6X12 PIPE
J..521	TUBO P.V.C. 5X9 AZUL	BLUE 5X9 P.V.C. PIPE
J..523	ABRAZADERA 9,5-10	9,5-10 CLAMP
J..526	JUNTA FIBRA 20X26X2	20X26X2 FIBRE GASKET
J..530	TUBO ENTRADA AGUA A CUBA	INLET TO TANK PIPE
J..533	RACOR 1/2»	1/2» FITTING
J..534	TUERCA SUJECION BOMBA	PUMP FIXING NUT
J..535	TORICA DISTANCIADOR	DISTANCER RING
J..536	DISTANCIADOR MOTOR	MOTOR DISTANCER
J..537	RACOR MANGUERA INOX	INOX FITTING PIPE
J..538	TUERCA 1/2» INOX	INOX 1/2» NUT
J..539	TUBO CALDERIN DERECHO	1 CURVE BOILER PIPE
J..540	TUBO CALDERIN IZQUIERDO	2 CURVES BOILER PIPE
J..541	TUBO ENTRADA AGUA	WATER INLET PIPE
J..542	FILTRO ENTRADA AGUA	WATER INLET FILTER
J..543	TUBO DESAGÜE PISTON	PISTON OUTLET PIPE
V...5	TAPON GOMA 10X16 20 ATM	20ATM 10X16 RUBBER PIPE
V..62	ABRAZADERA 12-20	12-20 CLAMP
V..67	ABRAZADERA 16-27	16-27 CLAMP
V..132	ELECTROVAL.1 VIA LAV.220V	WASH 1 WAY 220V SOLENOID
V..133	ELECTROVAL.2 VIA LAV.220V	WASH 2 WAYS 220V SOLENOID
V..201	TUBO DESAGÜE 28mm. 1,5mt.	28mm. 1.5mt OUTLET PIPE
V..546	JUNTA GOMA 3/4	WATER INLET RUBBER GASKET
V.2364	ABRAZADERA RAPIDA 12-13	12-13 QUICK CLAMP

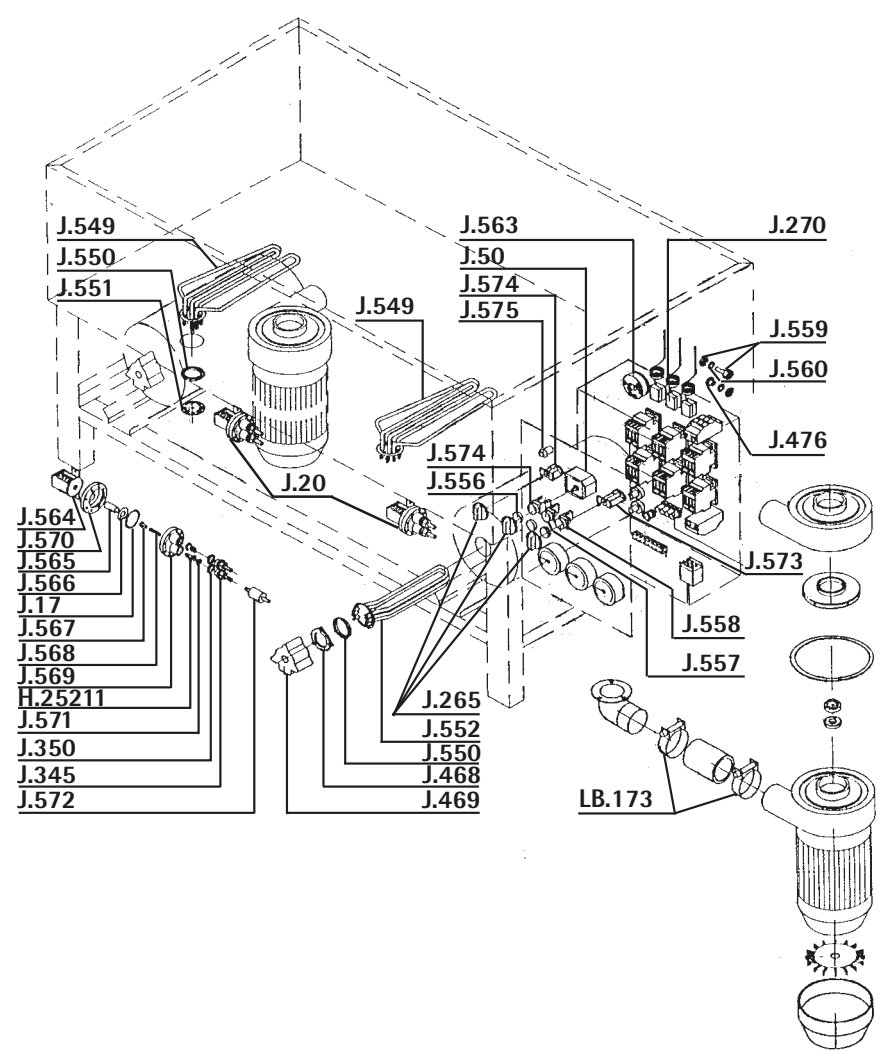


REF.	DESCRIPCIÓN	DESCRIPTION
J..125	RACOR LAV.8-8/2-9-82-100	8-8/2-9-82-100 WASH SPRAY
J..215	CONO 4-4/2-8-8/2-9-80-100	4-4/2-8-8/2-9-80-100 CONE
J..220	MUELLE	SPRING
J..225	MUELLE GRANDE	GREAT SPRING
J..228	TORICA BRAZO LAVADO NBR	WASHING ARM RING
J..280	TERMINAL GS8-8/2-80-100 SIN SU	GS8-8/2-80-100 TERMINAL
J..491	TAPON LAVADO GS.82-100	GS.82-100 WASH CAP
J..502	BRAZO LAVADO COMPLETO	COMPLET WASH ARM
J..503	TUERCA 3/8 CODO GS.82-100	GS.82-100 ELBOW NUT
J..504	CODO DISTRIBUIDOR ACLARA.	RINSE DISTRIBUTOR ELBOW
J..505	RACOR 3/8 BRAZO ACLARADO	RINSE ARM 3/8 FITTING
J..507	CASQUILLO NYLON	NYLON CAP
J..509	BRAZO ACLA.CTO.GS.82-100	GS.82-100 RINSE ARM
J..510	RACOR ROCIADOR GS.82-100	GS.82-100 SPRAY FITTING
J..511	ESTRANGULADOR ACLARADO	RINSING SWIRL
J..512	ROCIADOR ACLARADO	RINSE SPRAY
J..513	TUBO DISTRIB.SUPIZQ.	LEFT UPPER DISTRIB.PIPE
J..515	TUBO DISTRIB.INF.IZQUIERDO	LEFT LOWER DISTRIB.PIPE
J..516	TUBO DISTRIB.INF.DERECHO	RIGHT LOWER DISTRIB.PIPE
J..517	DISTRIBUIDOR ACLARADO	RINSE DISTRIBUTOR
J..524	ALARGO DISTRIBUIDOR 1/2»	1/2» DISTRIBUTOR ADAPTER
J..533	RACOR 1/2»	1/2» FITTING
J..545	TUBO DISTR.ACLA.SUP.DCHO.	RIGHT UPPER DISTRIBU.PIPE
J..546	JUNTA ALIMENTARIA 10x18x2	10x18x2 ALIMENTARY GASKET
J..547	JUNTA KLINGERIT 65X105X2	64X105X2 KLINGERIT GASKET
J..587	ROCIADOR COMPLETO	COMPLET SPRAY
V..489	TUERCA 3/8 PARA BICONO	3/8 FOR BICONE NUT

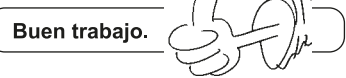




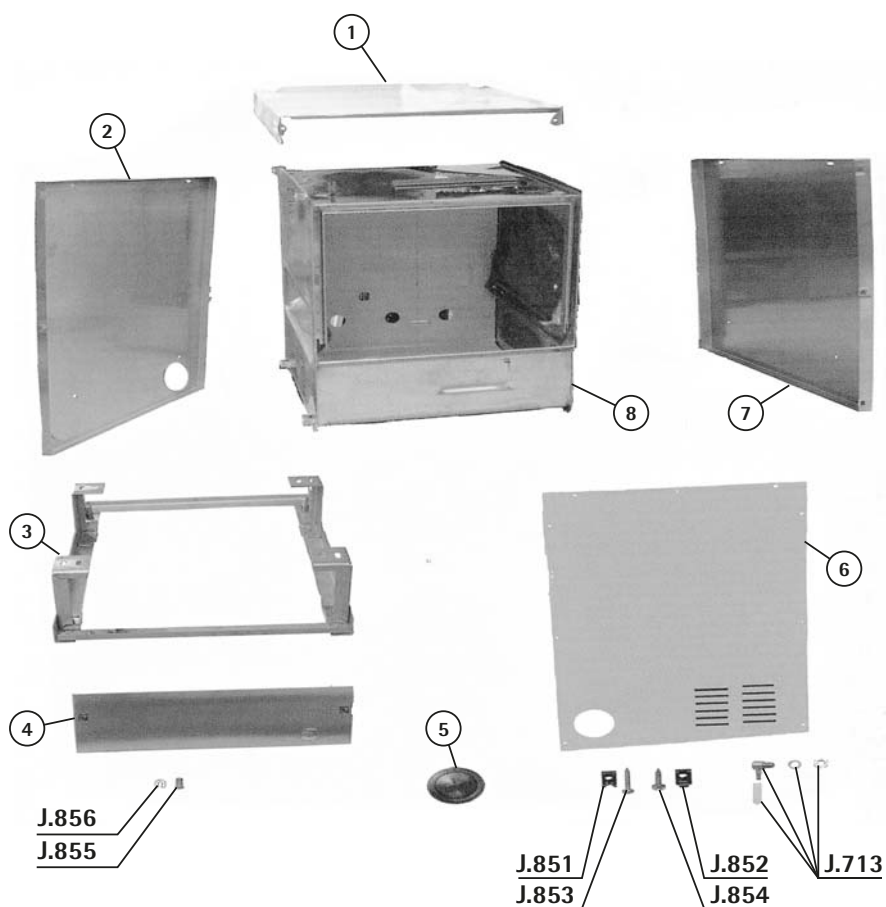
REF.	DESCRIPCIÓN	DESCRIPTION
FGA.35	PILOTO VERDE 8.5mm C/CABL	8.5mm GREEN WIRING LAMP
H25211	VALVULA ABRILLANTADOR	VALVE
J...17	MEMBRANA DOSIFICADOR	DOSIMETER MEMBRANE
J...20	DOSIFICADOR ABRILLANTADOR	RINSE AID DOSIMETER
J...50	PROGRAMADOR TODOS MODELOS	ALLS MODELS TIMER
J.265	MANDO PROGRAMADOR	TIMER HANDLE
J.270	TERMOSTATO ROSCADO 90°	90° SCREW THERMOSTAT
J.345	ENTRADAS DOSIFICADOR	DOSIMETER FITTING INLET
J.350	TORICA ENTRADA GOMA	RUBBER INLET RING
J.468	PLETINA RESISTENCIA	RESISTANCE IRON PLATE
J.469	PROTECTOR RESISTENCIA	RESISTANCE PROTECTOR
J.476	PRENSAESTOPA	STUFFING BOX NUT
J.549	RESISTENCIA CUBA 5000W/380V	5000W 400V TANK RESISTAN.
J.550	TORICA 44X6,5	44X6,5 RING
J.551	BRIDA RESISTENCIA CUBA	TANK RESISTANCE CLASP
J.552	RESISTENCIA CALDERIN 6000W 230	BOILER RESISTANCE 6000W
J.556	PROTECTOR PULSAD.SILICONA	SILICONE OUSH PROTECTOR
J.557	PULSADOR ACLARADO	RINSE PUSH
J.558	INTERRUPTOR LAVADO	WASH SWITCH
J.559	RACOR TERMOMETRO CPTO.	COMPLET THERM. FITTING
J.560	JUNTA ALIMENTARIA 16x24x2	16x24x2 ALIMENTARY GASKET
J.562	FUSIBLE 6A	6A FUSE
J.563	PRESOSTATO SAL.HORIZ.35/15	35/15 VERT.PRESS.SWITCH
J.564	BOBINA DOSIFICADOR	DOSIMETER ELECTRO-MAGNET
J.565	BULON DOSIFICADOR	DOSIMETER CAP
J.566	EMPUJADOR MEMBRANA	MEMBRANE PUSH
J.567	EJE MEMBRANA	MEMBRANE ROD
J.568	MUELLE DOSIFICADOR	DOSIMETER SPRING
J.569	TAPA DOSIFICADOR	DOSIMETER LID
J.570	CUERPO DOSIFICADOR	DOSIMETER BODY
J.571	ARO VALVULA	VALVE RING
J.572	FILTRO DOSIFICADOR	DOSIMETER FILTER
J.574	INT.PUESTA MARCHA/CAMPANA	START SWITCH
LB.173	ABRAZADERA 60-80	60-80 CLAMP



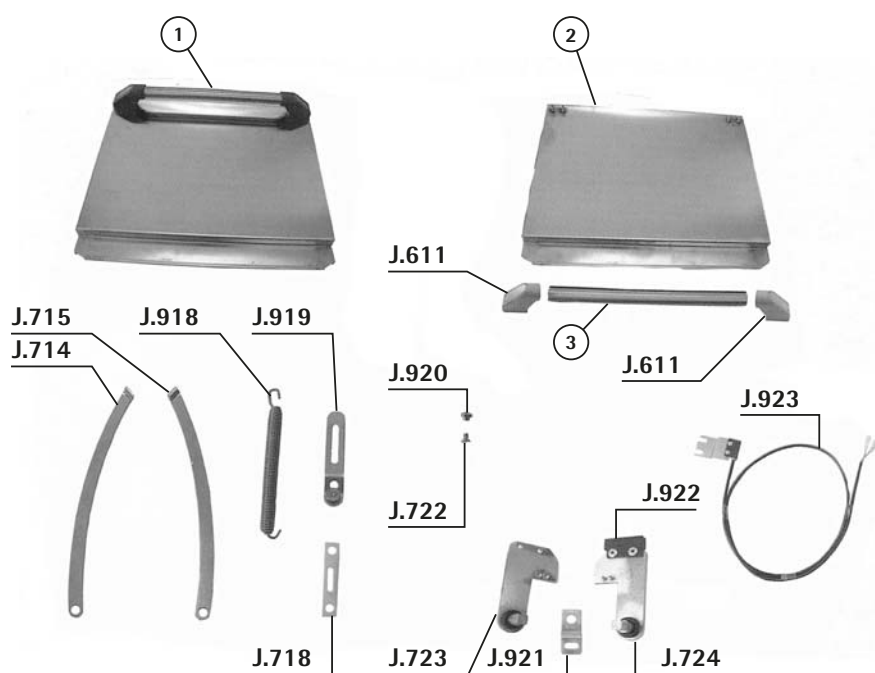
REF.	DESCRIPCIÓN	DESCRIPTION
H25211	VALVULA ABRILLANTADOR	VALVE
J...17	MEMBRANA DOSIFICADOR	DOSIMETER MEMBRANE
J...20	DOSIFICADOR ABRILLANTADOR	RINSE AID DOSIMETER
J...50	PROGRAMADOR TODOS MODELOS	ALLS MODELS TIMER
J.265	MANDO PROGRAMADOR	TIMER HANDLE
J.270	TERMOSTATO ROSCADO 90°	90° SCREW THERMOSTAT
J.345	ENTRADAS DOSIFICADOR	DOSIMETER FITTING INLET
J.350	TORICA ENTRADA GOMA	RUBBER INLET RING
J.468	PLETINA RESISTENCIA	RESISTANCE IRON PLATE
J.469	PROTECTOR RESISTENCIA	RESISTANCE PROTECTOR
J.476	PRENSAESTOPA	STUFFING BOX NUT
J.549	RESISTENCIA CUBA 5000W/380V	5000W 400V TANK RESISTAN.
J.550	TORICA 44X6,5	44X6,5 RING
J.551	BRIDA RESISTENCIA CUBA	TANK RESISTANCE CLASP
J.552	RESISTENCIA CALDERIN 6000W 230	BOILER RESISTANCE 6000W
J.556	PROTECTOR PULSAD.SILICONA	SILICONE OUSH PROTECTOR
J.557	PULSADOR ACLARADO	RINSE PUSH
J.558	INTERRUPTOR LAVADO	WASH SWITCH
J.559	RACOR TERMOMETRO CPTO.	COMPLET THERM. FITTING
J.560	JUNTA ALIMENTARIA 16x24x2	16x24x2 ALIMENTARY GASKET
J.562	FUSIBLE 6A	6A FUSE
J.563	PRESOSTATO SAL.HORIZ.35/15	35/15 VERT.PRESS.SWITCH
J.564	BOBINA DOSIFICADOR	DOSIMETER ELECTRO-MAGNET
J.565	BULON DOSIFICADOR	DOSIMETER CAP
J.566	EMPUJADOR MEMBRANA	MEMBRANE PUSH
J.567	EJE MEMBRANA	MEMBRANE ROD
J.568	MUELLE DOSIFICADOR	DOSIMETER SPRING
J.569	TAPA DOSIFICADOR	DOSIMETER LID
J.570	CUERPO DOSIFICADOR	DOSIMETER BODY
J.571	ARO VALVULA	VALVE RING
J.572	FILTRO DOSIFICADOR	DOSIMETER FILTER
J.573	CONMUTADOR	SWITCH
J.574	INT.PUESTA MARCHA/CAMPANA	START SWITCH
J.575	PILOTO PUESTA EN MARCHA	START LAMP
LB.173	ABRAZADERA 60-80	60-80 CLAMP

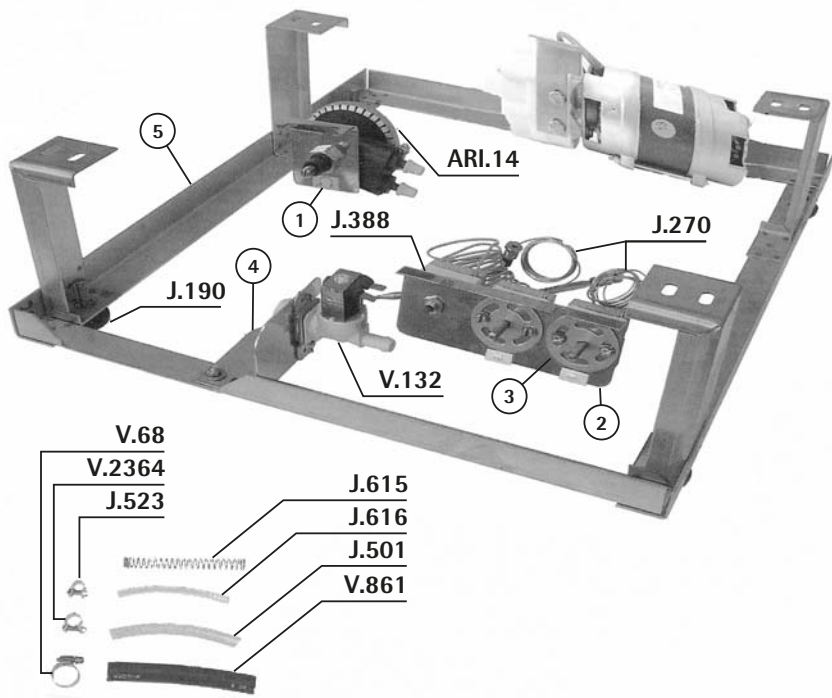


REF.	DESCRIPCIÓN	DESCRIPTION
J..713	ENTRADA DETERGENTE	DETERGENT INLET
J..851	TUERCA RAPIDA FRONTAL MANDOS	REAR NUT
J..852	TUERCA RAPIDA TRASERA	FRONT PANEL NUT
J..853	TORNILLO FRONTAL MANDOS	PANEL SCREW
J..854	TORNILLO INOX TAPA TRASERA	REAR COVER SCREW INOX
J..855	TUERCA FIJACION	FIXATION NUT
J..856	ARANDELA	WASHER

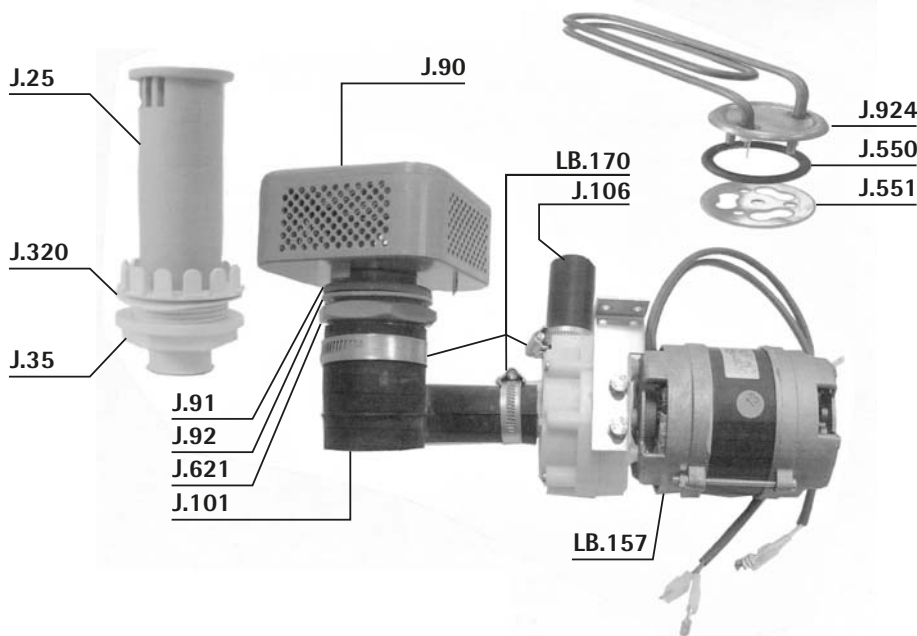


REF.	DESCRIPCIÓN	DESCRIPTION
J..611	SOPORTE TIRADOR	ROD SUPPORT
J..714	TIRANTE IZQUIERDO	LEFT DRAWER
J..715	TIRANTE DERECHO	RIGHT DRAWER
J..718	GUIA TIRANTE	DRAWER GUIDE
J..722	TORNILLO	SCREW
J..723	BISAGRA PUESTA IZQUIERDA	LEFT DOOR HINGE
J..724	BISAGRA PUERTA DERECHA	RIGHT DOOR HINGE
J..918	MUELLE	SPRING
J..919	TENSOR MUELLE PUERTA	DOOR SPRING TIGHTENER
J..920	TUERCA SUJECCION TIRANTE	TIGHT FIXING NUT
J..921	ESCUADRA SUJECCION BISAGRA	HINGE FIXING NUT
J..922	IMAN MICRO	MICRO MAGNETIC
J..923	MICRO PUERTA MAGNETICA + SOPOR	DOOR MAGNETIC MICRO



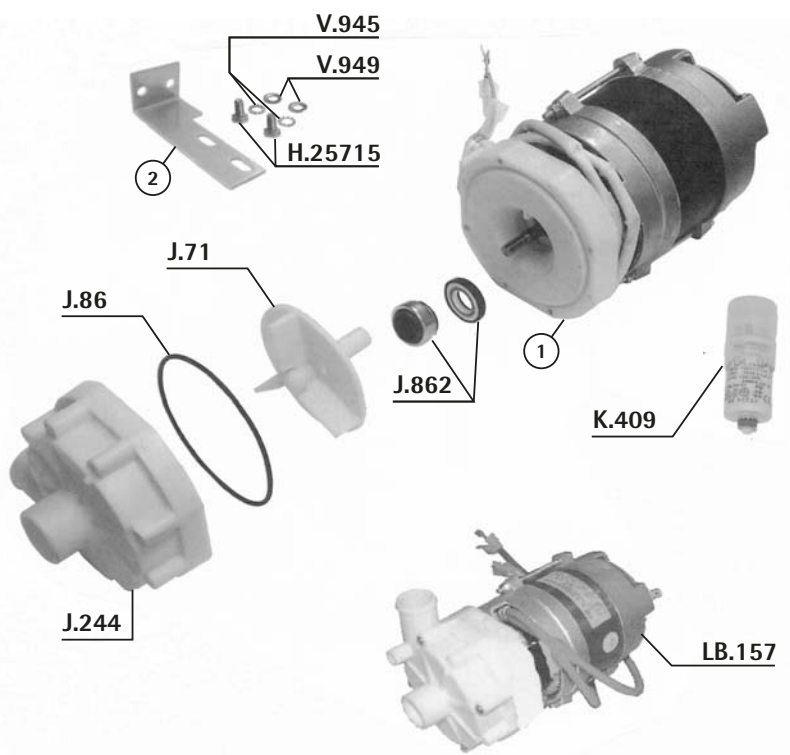


REF.	DESCRIPCIÓN	DESCRIPTION
ARI.14	DOSIFICADOR ABRILLANTADOR	RINSE AID DOSIMETER
J..190	PATA MAQUINA	MACHINE FOOT
J..270	TERMOSTATO ROSCADO 90°	90° SCREW THERMOSTAT
J..388	TERMOSTATO SEGURIDAD 140°	SAFETY THERMOSTAT
J..501	TUBO MALLA 6X12	6X12 PIPE
J..523	ABRAZADERA 9,5-10	9,5-10 CLAMP
J..615	MUELLE TUBO ABRILLANTADOR	DOSIMETER SPRING
J..616	TUBO PVC TRANSPARENTE 6x9	6x9 TRANSPARENT PVC PIPE
V..68	ABRAZADERA 32-50	35-50 CLAMP
V.132	ELECTROVAL.1 VIA LAV.220V	WASH 1 WAY 220V SOLENOID
V.861	TUBO GOMA 12X22mm 20ATM	20ATM 12X22mm RUBBER PIPE
V.2364	ABRAZADERA RAPIDA 12-13	12-13 QUICK CLAMP

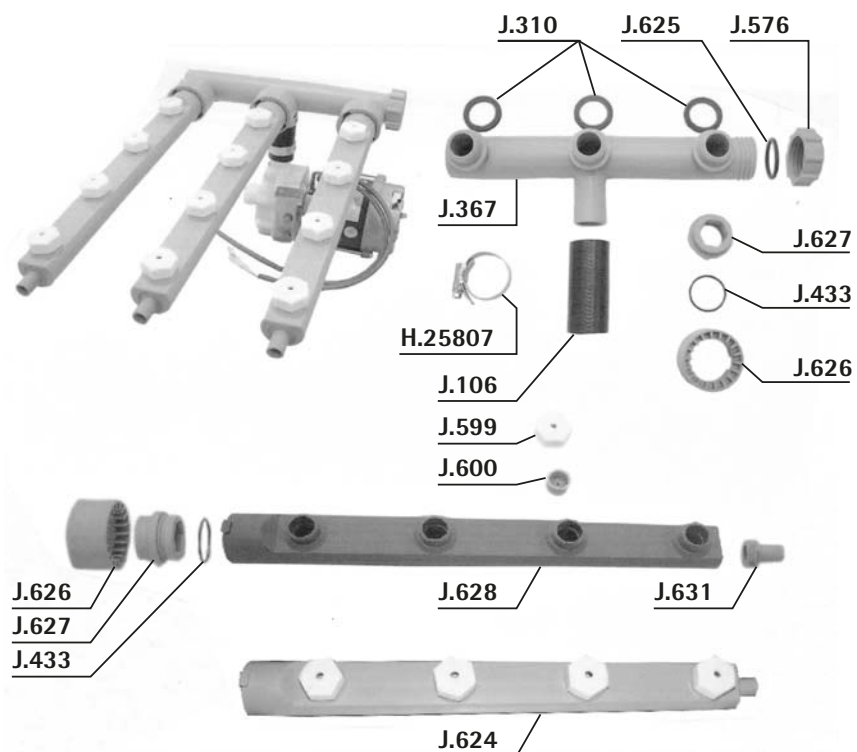


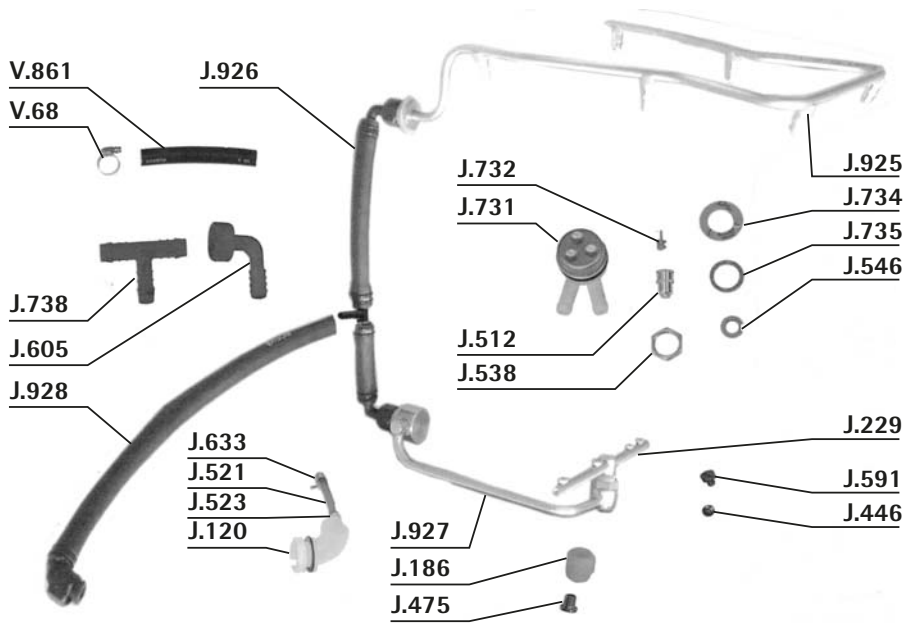
REF.	DESCRIPCIÓN	DESCRIPTION
J..25	SOBRENIV. GS3-4-4/2-8-8/2-9	GS 4-4/2-8-8/2-9 OVE.PIPE
J...35	RACOR DESAGÜE COMPL.PLASTICO	DRAIN FITTING
J...90	FILTRO BOMBA 3-4/2-8/2-9	3-4/2-8/2-9 PUMP FILTER
J...91	RACOR ADMISION BOMBA	ADMISSION PUMP FITTING
J...92	JUNTA GOMA	RUBBER GASKET
J..101	MANGUITO ASPIRACION GS-3	GS-3 SUCTION SLEEVE
J..106	MANGUITO ENVIO GS-3	GS-8 OUTLET SLEEVE
J..320	JUNTA GOMA	RUBBER GASKET
J..550	TORICA 44X6,5	44X6,5 RING
J..551	BRIDA RESISTENCIA CUBA	TANK RESISTANCE CLASP
J..621	TUERCA RACOR BOMBA	PUMP FITTING NUT
J..924	RESISTENCIA CUBA	TANK RESISTANCE
LB.157	MOTOR LAV.0,15CV	0.15CV WASHING MOTOR
LB.170	ABRAZADERA 40-60	40-60 CLAMP

REF.	DESCRIPCIÓN	DESCRIPTION
H25715	TORNILLO INOX M6x15 mm	M6x15 mm INOX SCREW
J...71	TURBINA MOTOR GS-3	GS-3 GS-8 PUMP TURBINE
J...86	TORICA TAPA BOM.GS3 GOMA	GS3 PUMP.COV.RUBB.GASKET
J..244	TAPA MOTOR GS-3 GS-8	GS-3 GS-8 MOTOR LID
J..862	RETEN MOTOR	MOTOR MECHANICAL SEAL
K..409	CONDENSADOR 6MF	220V 6MF CONDENSER
LB.157	MOTOR LAV.0,15CV	0.15CV WASHING MOTOR
V..945	ARANDELA DENTADA INOX M6	M6 INOX GROVER WASHER
V..949	ARANDELA INOX M6	M6 INOX WASHER

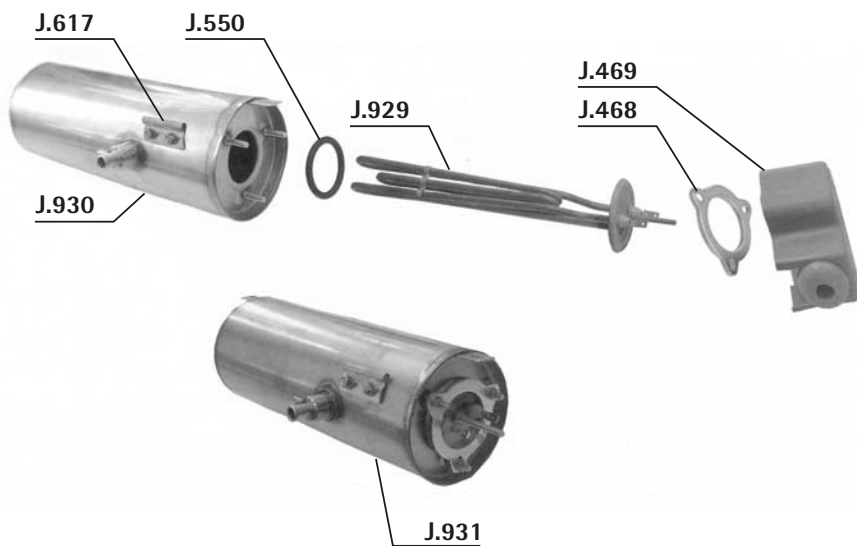


REF.	DESCRIPCIÓN	DESCRIPTION
H25807	ABRAZADERA 25-40	25-40 CLAMP
J..106	MANGUITO ENVIO GS-3	GS-8 OUTLET SLEEVE
J..310	JUNTA GOMA DISTRIBUIDOR	DISTRIBUTOR RUBBER GASKET
J..367	DISTRIBUIDOR LAVADO GS-3	GS-3 WASHING DISTRIBUTOR
J..433	TORICA GOMA	RING
J..576	TAPON DISTRIB.LAVADO GS/3	GS/3 WASHING DISTRIB.CAP
J..599	TAPON LAVADO MODERNO	GS-82 MODERN WASH CAP
J..600	ESTRANG. LAVADO GS-82 MODERNO	GS-82 MODERN WASHING SWIRL
J..624	BRAZO LAVADO CPTO	COMPLET WASH ARM
J..625	TORICA	RING
J..626	TAPON OBTURACION	CAP
J..627	ANILLO CIERRE	CLOSE RING
J..628	BRAZO LAVADO SOLO	WASH ARM
J..631	TERMINAL BRAZO ACABADO	WASH ARM TERMINAL



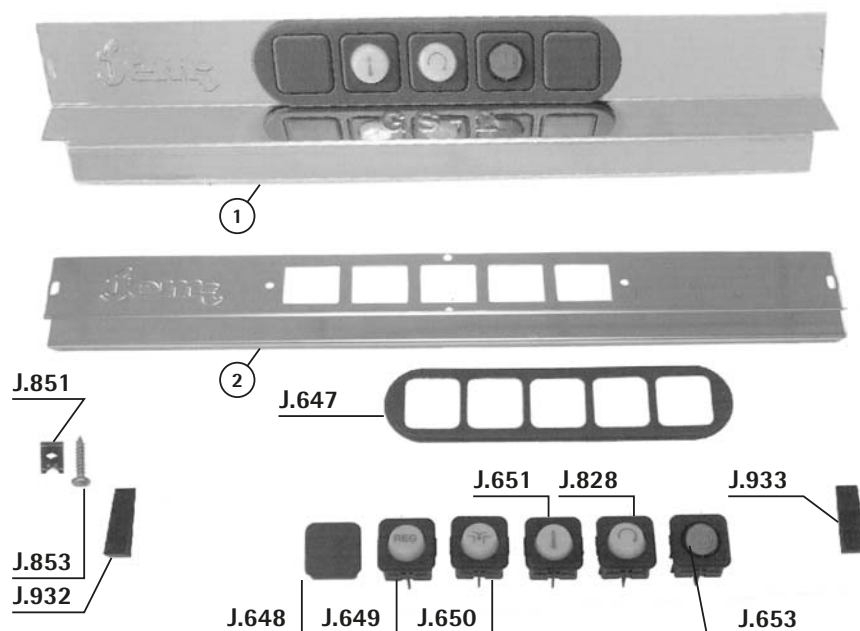


REF.	DESCRIPCIÓN	DESCRIPTION
J..120	TOMA PRESOSTATO	PRESSURE SWITCH INTAKE
J..186	EJE BRAZO GIRATOR.GS9	GS9 REVOLVING ARM ROD
J..229	GIRATORIO ACLARADO GS-3	GS-3 RINSE GYRATORY
J..446	TORNILLO GIRAT.ACLAR. INOX	REVOLTING ARM SPRAY
J..475	TORNILLO ALLEN	ALLEN SCREW
J..512	ROCIADOR ACLARADO	RINSE SPRAY
J..521	TUBO P.V.C. 5X9 AZUL	BLUE 5X9 P.V.C. PIPE
J..523	ABRAZADERA 9,5-10	9,5-10 CLAMP
J..538	TUERCA 1/2» INOX	INOX 1/2» NUT
J..546	JUNTA ALIMENTARIA 10x18x2	10x18x2 ALIMENTARY GASKET
J..591	SURT.ACLARADO GS 4-4/2 INOX	INOX RINSE SPRAY
J..605	CODO PLASTICO	ELBOW
J..633	BRIDA 9mm	9mm CLAMP
J..731	VALVULA ANTIREFLUJO	VALVE
J..732	HELICE ACLARADA	RINSE PROPELLER
J..734	JUNTA	GASKET
J..735	JUNTA	GASKET
J..738	T.DISTRIBUIDOR	DISTRIBUTOR T
J..925	DISTRIBUIDOR ACLARADO SUPERIOR	UPPER WASH DISTRIBUTOR GS-2
J..926	DISTRIBUIDOR ACLARADO EXTERIOR	OUTER WASH DISTRIBUTOR GS-2
J..927	SOPORTE GIRATORIO	ROTATORY SUPPORT
J..928	TUBO GOMA CON CODO 1/2» 410MM	1/2» 410 MM PIPE
V..68	ABRAZADERA 32-50	35-50 CLAMP
V..861	TUBO GOMA 12X22mm 20ATM	20ATM 12X22mm RUBBER PIPE

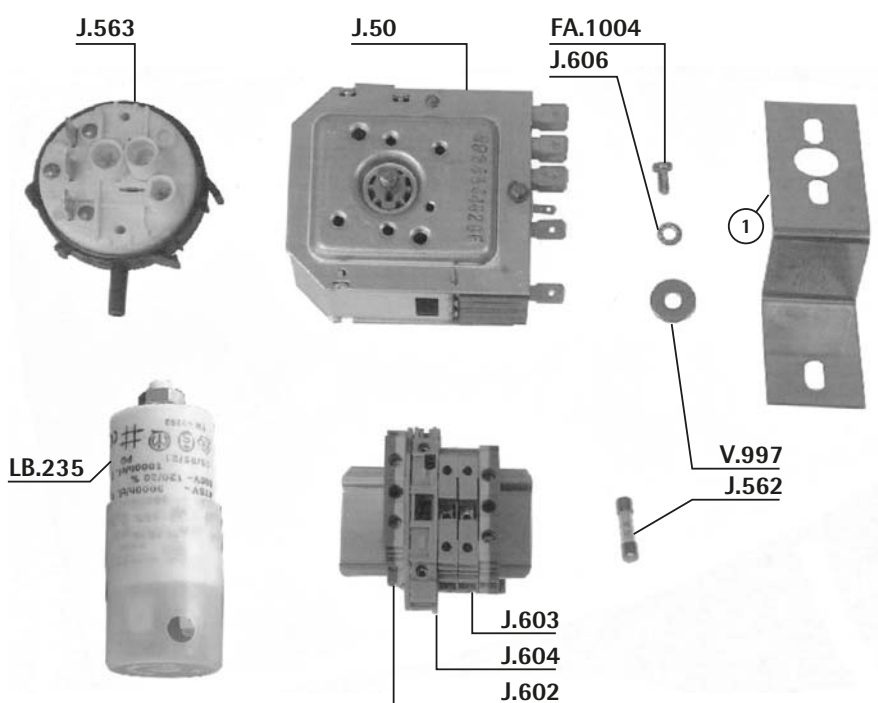


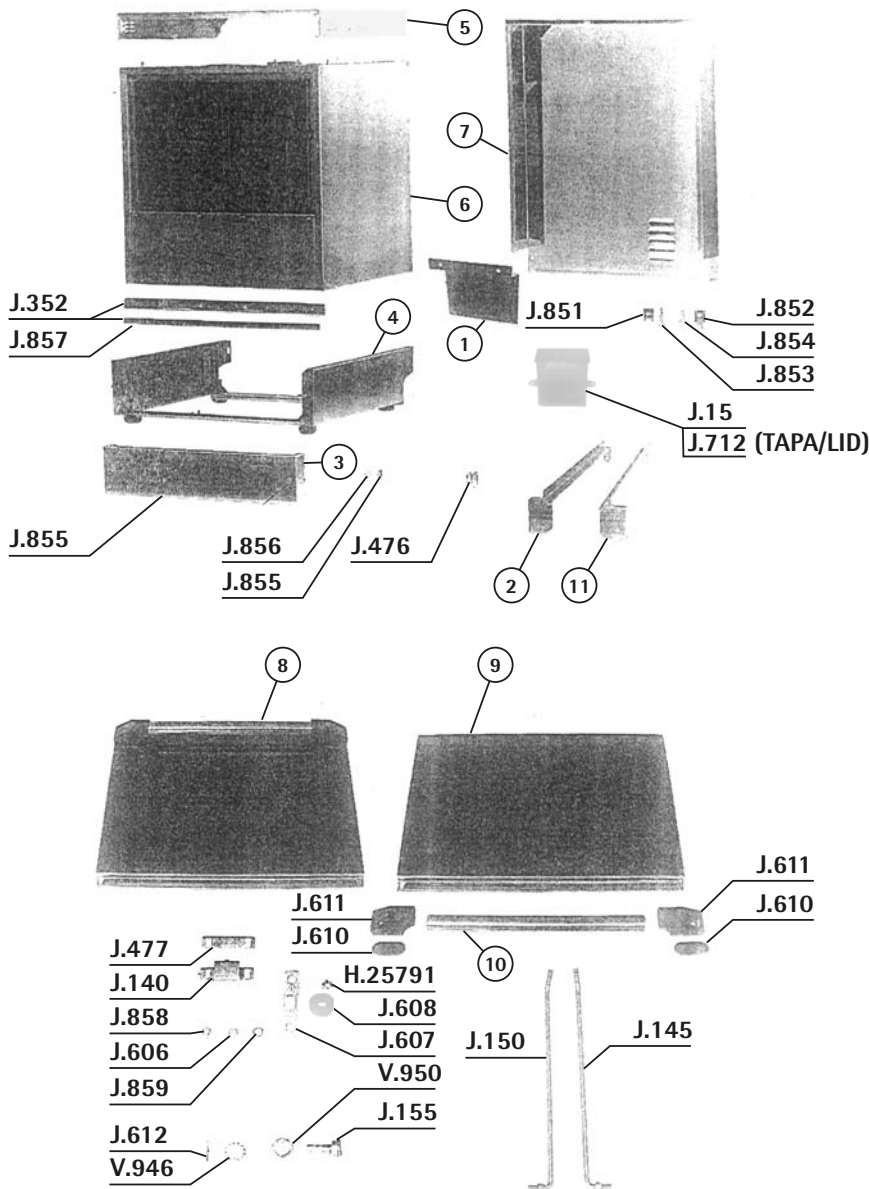
REF.	DESCRIPCIÓN	DESCRIPTION
J..468	PLETINA RESISTENCIA	RESISTANCE IRON PLATE
J..469	PROTECTOR RESISTENCIA	RESISTANCE PROTECTOR
J..550	TORICA 44X6,5	44X6,5 RING
J..617	SUJECION TERMOSTATO	THERMOSTAT FIXATION
J..929	RESISTENCIA 2600W GS-2	2600W 410MM RESISTANCE
J..930	CALDERIN GS-2	GS-2 BOILER
J..931	CALDERIN COMPLETO GS-2	COMPLET BOILER GS-2

REF.	DESCRIPCIÓN	DESCRIPTION
J..647	MARCO	FRAME
J..648	TAPA PILOTO	LAMP CAP
J..649	PULSADOR REGENERACION	PUSH BUTTON
J..650	PULSADOR BOMBA DESAGÜE	OUTLET PUMP PUSH BUTTON
J..651	PILOTO TEMPERATURA	TEMPERATURE LAMP
J..653	INTERRUPTOR PUESTA EN MARCHA	START SWITCH
J..828	PULSADOR ACLARADO	RINSE PUESH BUTTON
J..851	TUERCA RAPIDA FRONTAL MANDOS	REAR NUT
J..853	TORNILLO FRONTAL MANDOS	PANEL SCREW
J..932	TAPA LATERAL MANDOS IZQUIERDA	LEFT PANEL COVER
J..933	TAPA LATERAL MANDOS DERECHA	RIGHT PANEL COVER



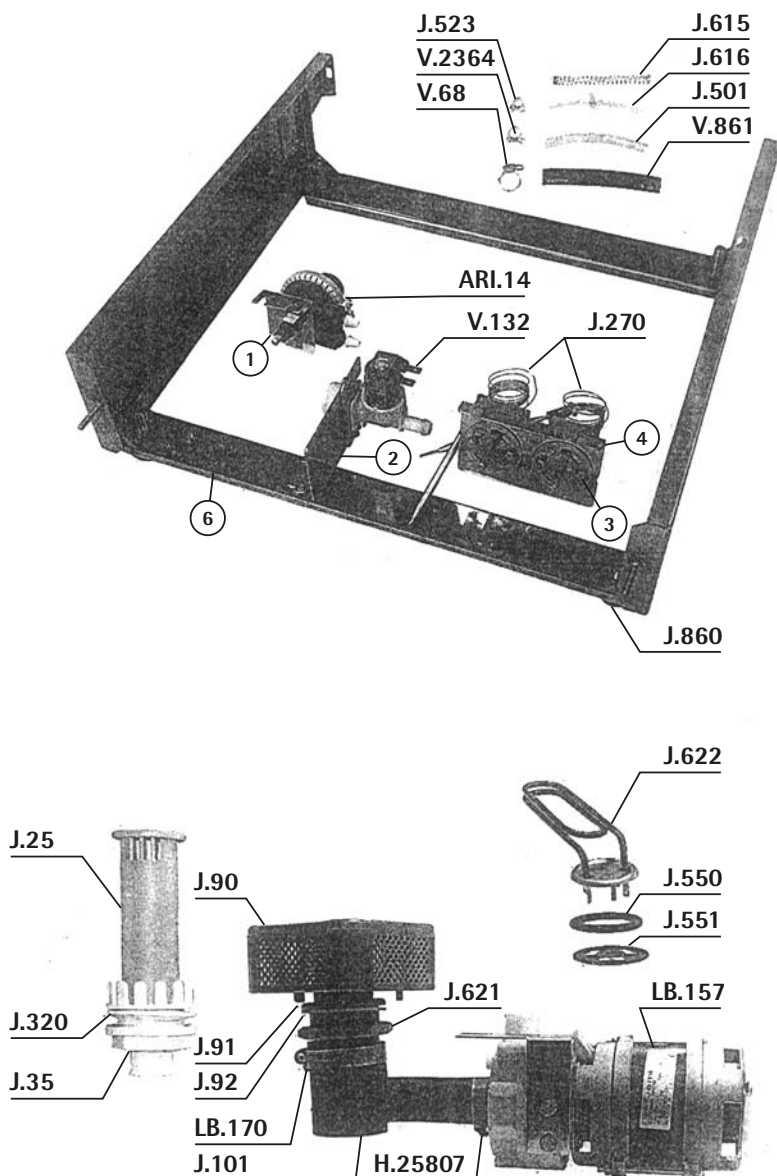
REF.	DESCRIPCIÓN	DESCRIPTION
FA1004	TORNILLO INOX	INOX SCREW
J...50	PROGRAMADOR TODOS MODELOS	ALLS MODELS TIMER
J..562	FUSIBLE 6A	6A FUSE
J..563	PRESOSTATO SAL.HORIZ.35/15	35/15 VERT.PRESS.SWITCH
J..602	BORNE TOMA TIERRA	CONNECTOR
J..603	REGLETA 4 FASTOM	FOUR CONNECTIONS CONNECTOR
J..604	REGLETA PORTA FUSIBLE	FUSE CONNECTOR
J..606	ARANDELA DENTADA INOX M4	M4 INOX WASHER
LB.235	CONDENSADOR 6,3 MF	6,3 MF CONDENSER
V..997	FILTRO 5000LT 1/4X1/4	1/4X1/4 5000LT.FILTER



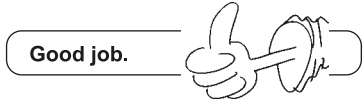


REF.	DESCRIPCIÓN	DESCRIPTION
H25791	TUERCA AUTOBLOCANTE	AUTOBLOC NUT
J...15	DEPOSITO ABRILLANTADOR	GS-3 RINSE AID CONTAINER
J.140	CIERRE PUERTA	CLOSING DOOR
J.145	VARILLA PUERTA IZQUIERDA	LEFT DOOR ROD
J.150	VARILLA PUERTA DERECHA	RIGHT DOOR ROD
J.155	TORNILLO EJE PUERTA	DOOR ROD
J..352	CANAL DESAGÜE GS-3	GS3 DRAIN WATERWAY
J.476	PRENSAESTOPA	STUFFING BOX NUT
J.477	CHAPA SUPLEMENTO CIERRE	SUPLEMENT CLOSING PLATE
J.606	ARANDELA DENTADA INOX M4	M4 INOX WASHER
J..607	GUIA VARILLA	ROD GUIDE
J.608	TOPE PUERTA	DOOR STOP
J.610	TAPA SOPORTE TIRADOR	ROD SUPPORT LID
J.611	SOPORTE TIRADOR	ROD SUPPORT
J.612	PASADOR	PIN
J.712	CAJON	BOX
J.851	TUERCA RAPIDA FRONTAL MANDOS	REAR NUT
J.852	TUERCA RAPIDA TRASERA	FRONT PANEL NUT
J..853	TORNILLO FRONTAL MANDOS	PANEL SCREW
J..854	TORNILLO INOX TAPA TRASERA	REAR COVER SCREW INOX
J..855	TUERCA FIJACION	FIXATION NUT
J..856	ARANDELA	WASHER
J..857	TIRA EMBELLECEDORA G53	BRASS
J..858	TUERCA INOX M4	NUT INOX M4
J..859	ARANDELA INOX M4	WASHER INOX M4
V.946	ARANDELA DENTADA INOX M8	M8 INOX GROVER WASHER
V..950	ARANDELA INOX M8	M8 INOX WASHER

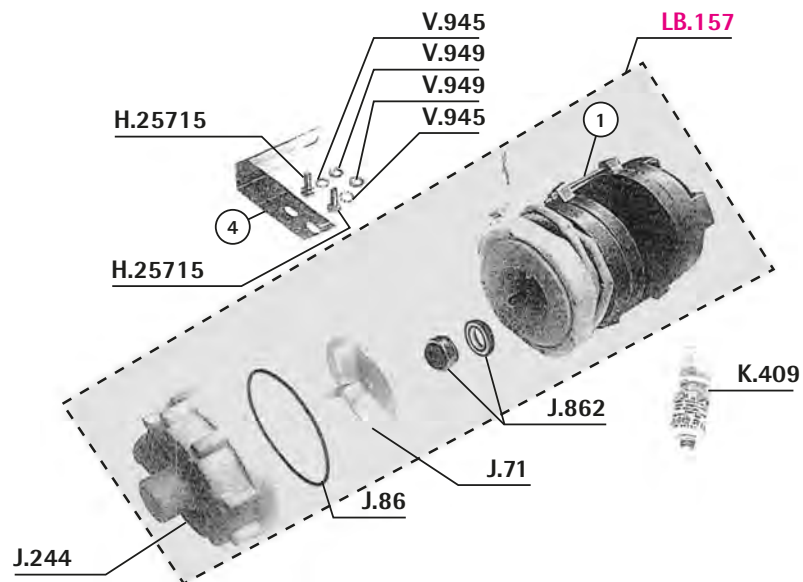
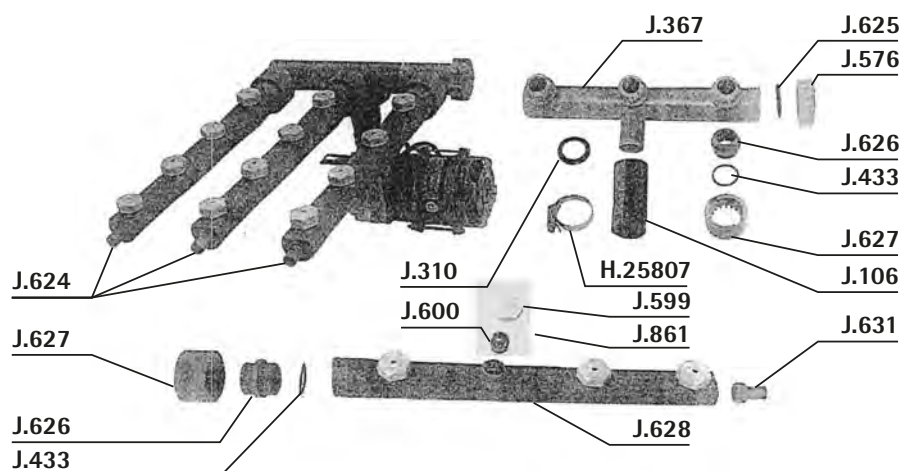
Lavado inferior / Desagüe GS-3 ■ GS-3 Lower wash / Drain 1186



REF.	DESCRIPCIÓN	DESCRIPTION
ARI.14	DOSIFICADOR ABRILLANTADOR	RINSE AID DOSIMETER
H25807	ABRAZADERA 25-40	25-40 CLAMP
J...25	SOBRENIV. GS3-4-4/2-8-8/2-9	GS 4-4/2-8-8/2-9 OVE.PIPE
J...35	RACOR DESAGÜE COMPL.PLASTICO	DRAIN FITTING
J...90	FILTRO BOMBA 3-4/2-8/2-9	3-4/2-8/2-9 PUMP FILTER
J...91	RACOR ADMISION BOMBA	ADMISSION PUMP FITTING
J..92	JUNTA GOMA	RUBBER GASKET
J..101	MANGUITO ASPIRACION GS-3	GS-3 SUCTION SLEEVE
J.270	TERMOSTATO ROSCADO 90°	90° SCREW THERMOSTAT
J.320	JUNTA GOMA	RUBBER GASKET
J.501	TUBO MALLA 6X12	6X12 PIPE
J.523	ABRAZADERA 9,5-10	9,5-10 CLAMP
J.550	TORICA 44X6,5	44X6,5 RING
J.551	BRIDA RESISTENCIA CUBA	TANK RESISTANCE CLASP
J.615	MUELLE TUBO ABRILLANTADOR	DOSIMETER SPRING
J.616	TUBO PVC TRANSPARENTE 6x9	6x9 TRANSPARENT PVC PIPE
J.621	TUERCA RACOR BOMBA	PUMP FITTING NUT
J.622	RESISTENCIA 2400W 230V	2400W RESISTANCE
J.860	PIE REGULACION L=20MM	REGULATION FOOT L=20MM
LB.157	MOTOR LAV.0,15CV	0.15CV WASHING MOTOR
LB.170	ABRAZADERA 40-60	40-60 CLAMP
V...68	ABRAZADERA 32-50	35-50 CLAMP
V.132	ELECTROVAL.1 VIA LAV.220V	WASH 1 WAY 220V SOLENOID
V.861	TUBO GOMA 12X22mm 20ATM	20ATM 12X22mm RUBBER PIPE
V.2364	ABRAZADERA RAPIDA 12-13	12-13 QUICK CLAMP

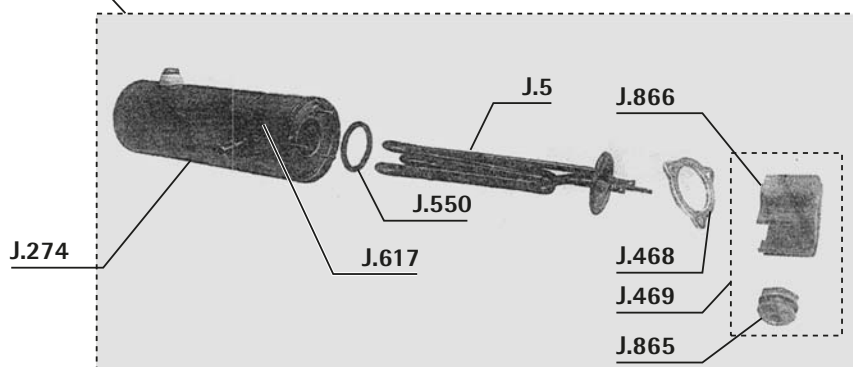
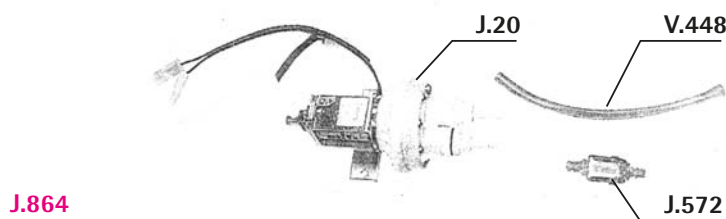
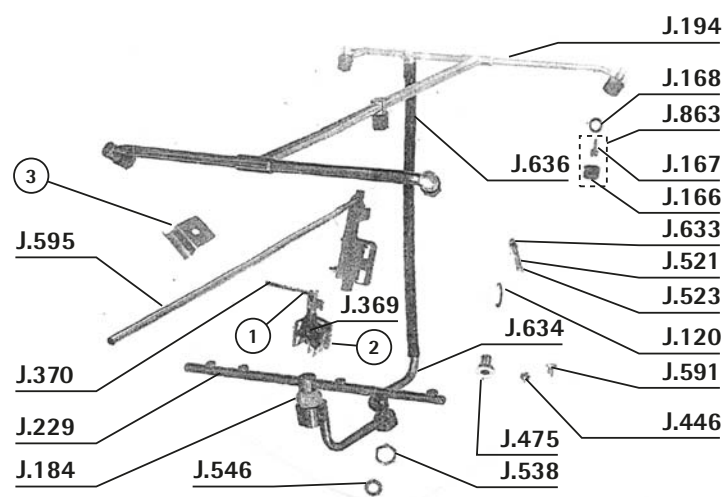


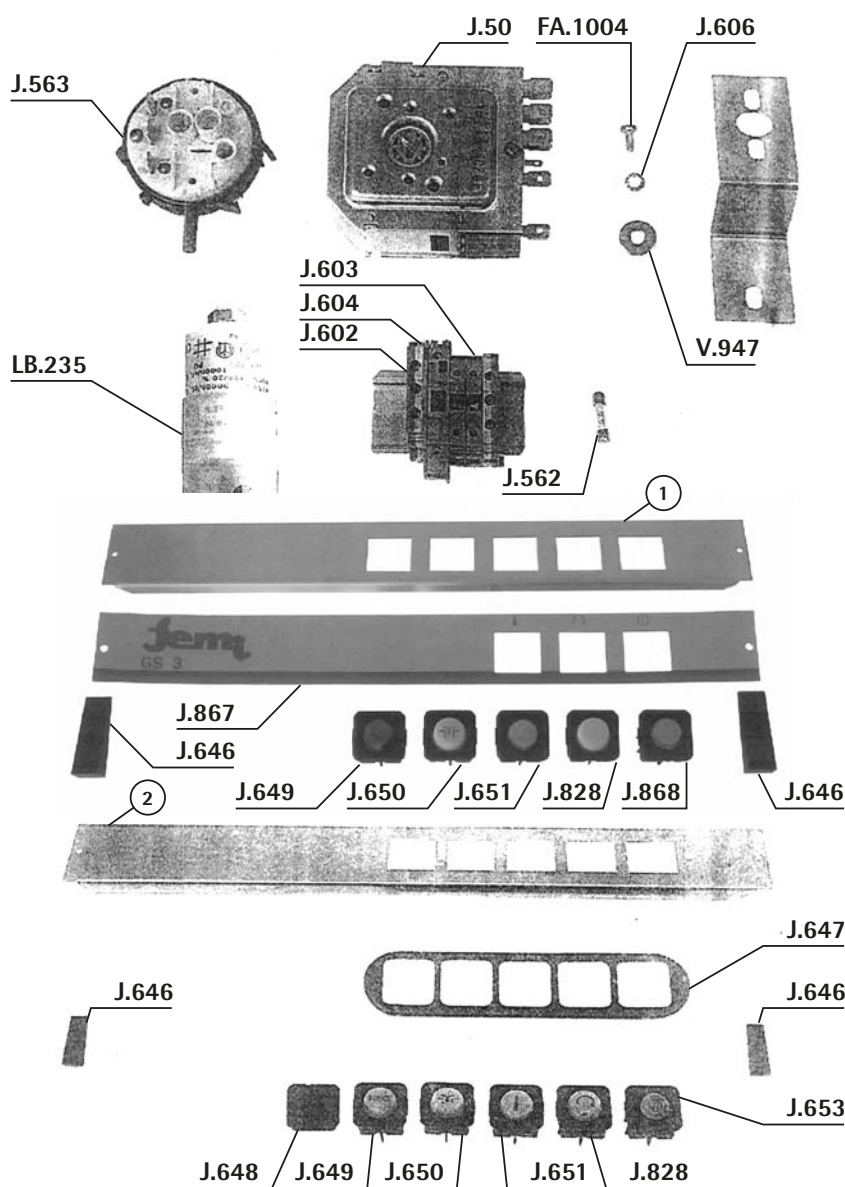
REF.	DESCRIPCIÓN	DESCRIPTION
H25715	TORNILLO INOX M6x15 mm	M6x15 mm INOX SCREW
H25807	ABRAZADERA 25-40	25-40 CLAMP
J...71	TURBINA MOTOR GS-3	GS-3 GS-8 PUMP TURBINE
J...86	TORICA TAPA BOM.GS3 GOMA	GS3 PUMP.COV.RUBB.GASKET
J..244	TAPA MOTOR GS-3 GS-8	GS-3 GS-8 MOTOR LID
J..310	JUNTA GOMA DISTRIBUIDOR	DISTRIBUTOR RUBBER GASKET
J..367	DISTRIBUIDOR LAVADO GS-3	GS-3 WASHING DISTRIBUTOR
J..433	TORICA GOMA	RING
J..576	TAPON DISTRIB.LAVADO GS/3	GS/3 WASHING DISTRIB.CAP
J..599	TAPON LAVADO MODERNO	GS-82 MODERN WASH CAP
J..600	ESTRANG. LAVADO GS-82 MODERNO	GS-82 MODERN WASHING SWIRL
J..624	BRAZO LAVADO CPTO	COMPLET WASH ARM
J..625	TORICA	RING
J..626	TAPON OBTURACION	CAP
J..627	ANILLO CIERRE	CLOSE RING
J..628	BRAZO LAVADO SOLO	WASH ARM
J..631	TERMINAL BRAZO ACABADO	WASH ARM TERMINAL
J..861	SURTIDOR LAVADO COMPLETO	COMPLET WASH SPRAY
J..862	RETEN MOTOR	MOTOR MECHANICAL SEAL
K..409	CONDENSADOR 6MF	220V 6MF CONDENSER
LB.157	MOTOR LAV.0,15CV	0.15CV WASHING MOTOR
V..945	ARANDELA DENTADA INOX M6	M6 INOX GROVER WASHER
V..949	ARANDELA INOX M6	M6 INOX WASHER



Aclarado / Calderín GS-3 ■ GS-3 Rinse / Boiler

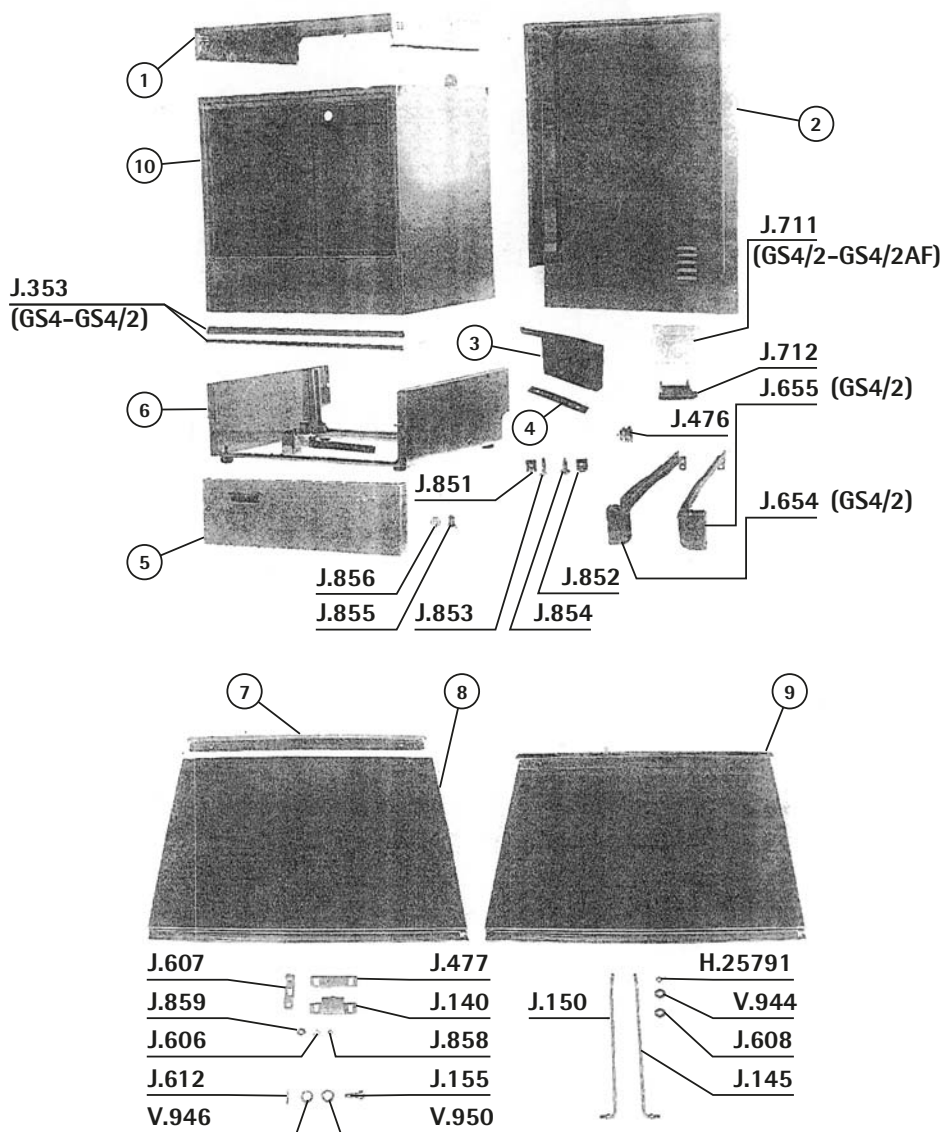
REF.	DESCRIPCIÓN	DESCRIPTION
J....5	RESIST.CALDERIN 2600W VAINA	2800W 230V BOILER RESISTANCE
J...20	DOSIFICADOR ABRILLANTADOR	RINSE AID DOSIMETER
J..120	TOMA PRESOSTATO	PRESSURE SWITCH INTAKE
J..166	ROCIADOR ACLARADO EXAGONAL	PLASTIC RINSE SPRAY
J..167	ESTRANGULADOR ACLARADO	RINSE SWIRL
J..168	JUNTA ROCIADOR GOMA	SPRAY RUBBER GASKET
J..184	EJE GIRATORIO GS-3	GS-3 REVOLVING ROD
J..194	ASTA ACLARADO SUP.GS-3	GS-3 UPPER RINSE ARM
J..229	GIRATORIO ACLARADO GS-3	GS-3 RINSE GYRATORY
J..274	CALDERIN GS-3	GS3 BOILER
J..369	MICRO PUERTA 250V 16A	250V 16A DOOR MICROSWITCH
J..370	MUELLE MICRO PUERTA	MICROSWITCH SPRING
J..446	TORNILLO GIRAT.ACLAR. INOX	REVOLTING ARM SPRAY
J..468	PLETINA RESISTENCIA	RESISTANCE IRON PLATE
J..469	PROTECTOR RESISTENCIA	RESISTANCE PROTECTOR
J..475	TORNILLO ALLEN	ALLEN SCREW
J..521	TUBO P.V.C. 5X9 AZUL	BLUE 5X9 P.V.C. PIPE
J..523	ABRAZADERA 9,5-10	9,5-10 CLAMP
J..538	TUERCA 1/2» INOX	INOX 1/2» NUT
J..546	JUNTA ALIMENTARIA 10x18x2	10x18x2 ALIMENTARY GASKET
J..550	TORICA 44X6,5	44X6,5 RING
J..572	FILTRO DOSIFICADOR	DOSIMETER FILTER
J..591	SURT.ACLARADO GS 4-4/2 INOX	INOX RINSE SPRAY
J..595	VARILLA MICRO	MICRO ROD
J..617	SUJECION TERMOSTATO	THERMOSTAT FIXATION
J..633	BRIDA 9mm	9mm CLAMP
J..634	SOPORTE BRAZO GIRATORIO GS-3	GIRATORY ARM SUPPORT
J..636	TUBO 9x12	9x12 PIPE
J..863	SURTIDOR ACLARADO GRIS	GREY RINSE SPRAY
J..864	CALDERIN COMPLETO GS.3	GS.3 COMPLET BOILER
J..865	PASACABLES 12 MM	WIRINGPIN
J..866	TAPA PROTECCION RESISTENCIA	RESISTANCE PROTECTION COVER
V..448	TUBO PRESOSTATO-METRO 4X6	4X6 PRE.SWITCH INLET PIPE





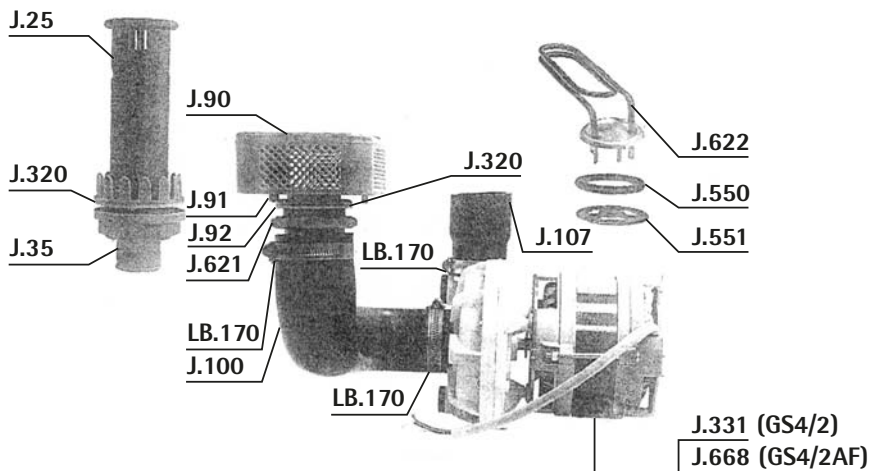
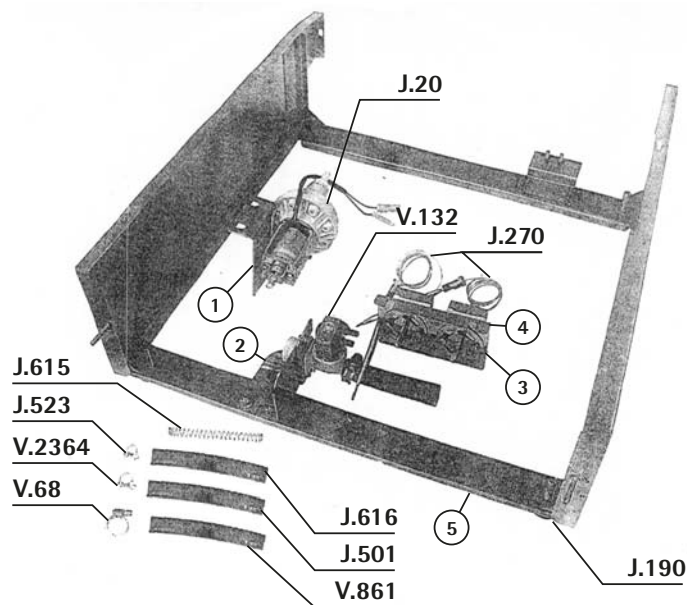
REF.	DESCRIPCIÓN	DESCRIPTION
FA.1004	TORNILLO INOX	INOX SCREW
J...50	PROGRAMADOR TODOS MODELOS	ALLS MODELS TIMER
J..562	FUSIBLE 6A	6A FUSE
J..563	PRESOSTATO SAL.HORIZ.35/15	35/15 VERT.PRESS.SWITCH
J..602	BORNE TOMA TIERRA	CONNECTOR
J..603	REGLETA 4 FASTOM	FOUR CONNECTIONS CONNECTOR
J..604	REGLETA PORTA FUSIBLE	FUSE CONNECTOR
J..606	ARANDELA DENTADA INOX M4	M4 INOX WASHER
J..646	TAPA	LID
J..647	MARCO	FRAME
J..648	TAPA PILOTO	LAMP CAP
J..649	PULSADOR REGENERACION	PUSH BUTTON
J..650	PULSADOR BOMBA DESAGÜE	OUTLET PUMP PUSH BUTTON
J..651	PILOTO TEMPERATURA	TEMPERATURE LAMP
J..653	INTERRUPTOR PUESTA EN MARCHA	START SWITCH
J..828	PULSADOR ACLARADO	RINSE PUESH BUTTON
J..867	CARATULA GS.3	MEMBRANE GS.3
J..868	INTERRUPTOR MARCHA	ON SWICHT
LB.235	CONDENSADOR 6,3 MF	6,3 MF CONDENSER
V..947	ARANDELA INOX M4	M4 INOX WASHER

Carrocería GS4/2- GS-4/2AF ■ GS4/2 - GS4/2AF Bodywork

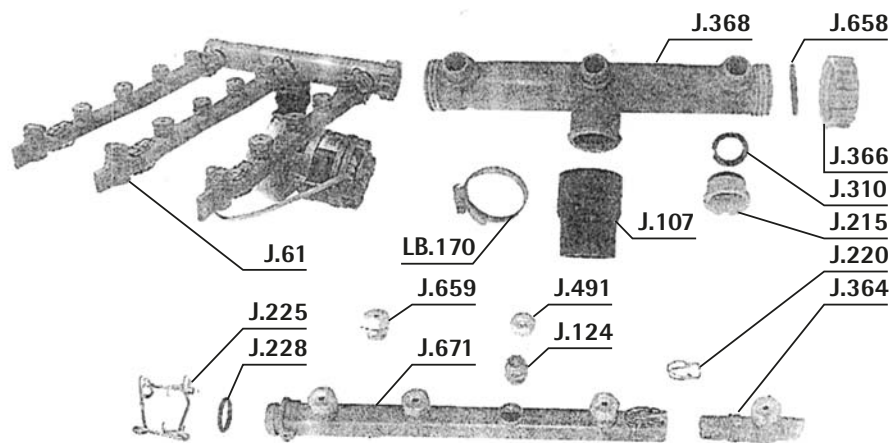


REF.	DESCRIPCIÓN	DESCRIPTION
H25791	TUERCA AUTOBLOCANTE	AUTOBLOC NUT
J..140	CIERRE PUERTA	CLOSING DOOR
J..145	VARILLA PUERTA IZQUIERDA	LEFT DOOR ROD
J..150	VARILLA PUERTA DERECHA	RIGHT DOOR ROD
J..155	TORNILLO EJE PUERTA	DOOR ROD
J..353	CANAL DESAGÜE GS 4-4/2	GS 4-4/2 DRAIN WATERWAY
J..476	PRENSAESTOPA	STUFFING BOX NUT
J..477	CHAPA SUPLEMENTO CIERRE	SUPLEMENT CLOSING PLATE
J..606	ARANDELA DENTADA INOX M4	M4 INOX WASHER
J..607	GUIA VARILLA	ROD GUIDE
J..608	TOPE PUERTA	DOOR STOP
J..612	PASADOR	PIN
J..654	GUIA CESTA IZQUIERDA	LEFT BASKET GUIDE
J..655	GUIA CESTA DERECHA	RIGHT BASKET GUIDE
J..711	DEPOSITO ABRILLANTADOR	RISNE AID DOSIMETER
J..712	CAJON	BOX
J..851	TUERCA RAPIDA FRONTAL MANDOS	REAR NUT
J..852	TUERCA RAPIDA TRASERA	FRONT PANEL NUT
J..853	TORNILLO FRONTAL MANDOS	PANEL SCREW
J..854	TORNILLO INOX TAPA TRASERA	REAR COVER SCREW INOX
J..855	TUERCA FIJACION	FIXATION NUT
J..856	ARANDELA	WASHER
J..858	TUERCA INOX M4	NUT INOX M4
J..859	ARANDELA INOX M4	WASHER INOX M4
V..944	ARANDELA DENTADA INOX M5	M5 INOX GROVER WASHER
V..946	ARANDELA DENTADA INOX M8	M8 INOX GROVER WASHER
V..950	ARANDELA INOX M8	M8 INOX WASHER

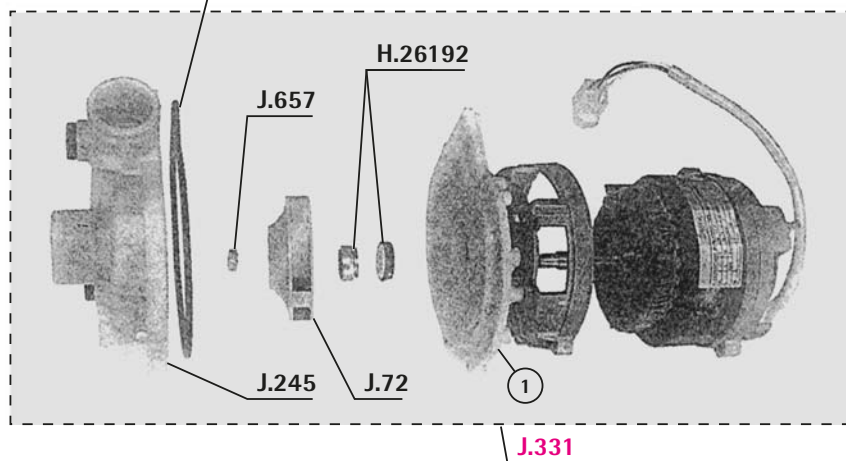
REF.	DESCRIPCIÓN	DESCRIPTION
J...20	DOSIFICADOR ABRILLANTADOR	RINSE AID DOSIMETER
J...25	SOBRENIV. GS3-4-4/2-8-8/2-9	GS 4-4/2-8-8/2-9 OVE.PIPE
J...35	RACOR DESAGÜE COMPL.PLASTICO	DRAIN FITTING
J...90	FILTRO BOMBA 3-4/2-8/2-9	3-4/2-8/2-9 PUMP FILTER
J...91	RACOR ADMISION BOMBA	ADMISSION PUMP FITTING
J...92	JUNTA GOMA	RUBBER GASKET
J..100	MANG.ASPI.GS4-4/2-8-8/2-9	GS4-4/2-8-8/2-9 SU.SLEEVE
J..107	MANGUITO ENVIO GS-4/2	GS-4/2 OUTLET SLEEVE
J..190	PATA MAQUINA	MACHINE FOOT
J..270	TERMOSTATO ROSCADO 90°	90° SCREW THERMOSTAT
J..320	JUNTA GOMA	RUBBER GASKET
J..331	MOTOR BO.0.5CV.GS 4/2-GS6	0.5CV GS-4/2 MOTOR
J..501	TUBO MALLA 6X12	6X12 PIPE
J..523	ABRAZADERA 9,5-10	9,5-10 CLAMP
J..550	TORICA 44X6,5	44X6,5 RING
J..551	BRIDA RESISTENCIA CUBA	TANK RESISTANCE CLASP
J..615	MUELLE TUBO ABRILLANTADOR	DOSIMETER SPRING
J..616	TUBO PVC TRANSPARENTE 6x9	6x9 TRANSPARENT PVC PIPE
J..621	TUERCA RACOR BOMBA	PUMP FITTING NUT
J..622	RESISTENCIA 2400W 230V	2400W RESISTANCE
J..668	MOTOR 0,5CV	GS4/2AF MOTOR
LB.170	ABRAZADERA 40-60	40-60 CLAMP
V...68	ABRAZADERA 32-50	35-50 CLAMP
V..132	ELECTROVAL.1 VIA LAV.220V	WASH 1 WAY 220V SOLENOID
V..861	TUBO GOMA 12X22mm 20ATM	20ATM 12X22mm RUBBER PIPE
V.2364	ABRAZADERA RAPIDA 12-13	12-13 QUICK CLAMP

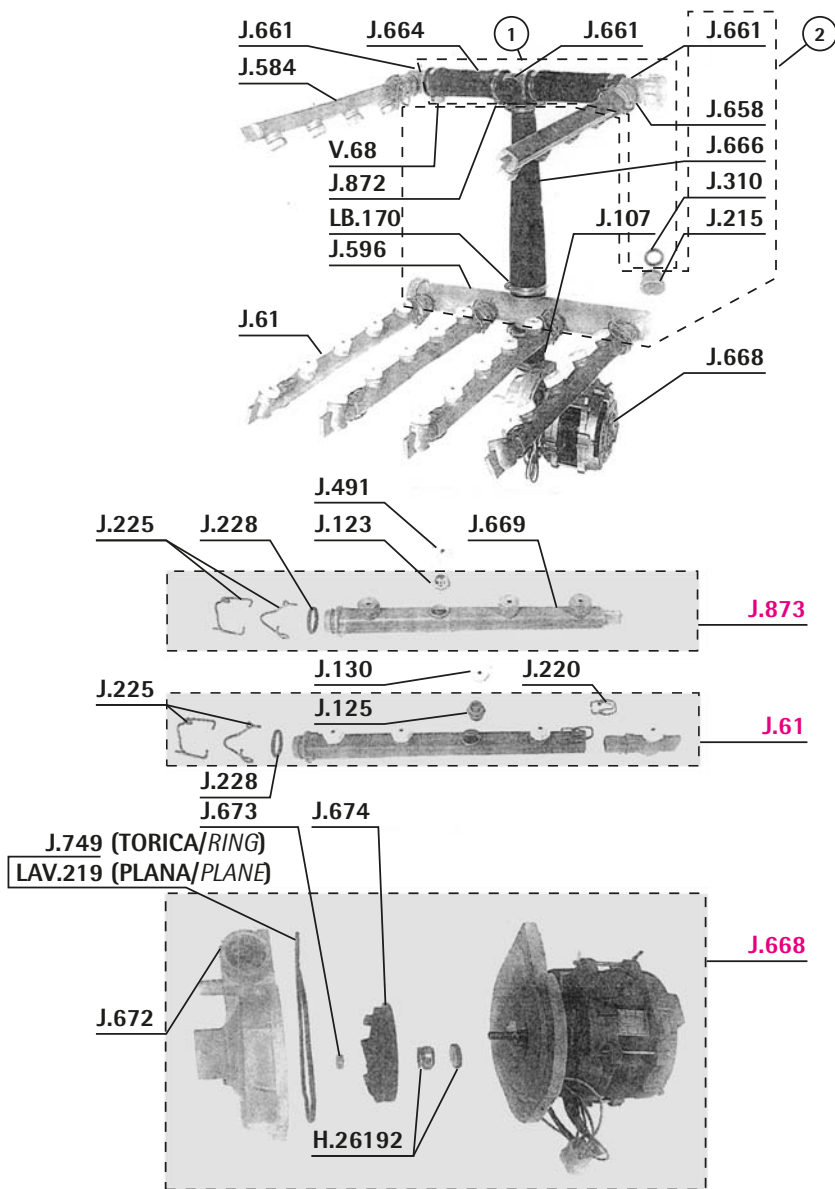


REF.	DESCRIPCIÓN	DESCRIPTION
H26192	RETEN EJE BOMBA	MECHANICAL SEAL
J...61	BRAZO LAVADO GS-4/2	GS-4/2 WASHING ARM
J...72	TURBINA MOTOR GS 4/2	GS 4/2 PUMP TURBINE
J..107	MANGUITO ENVIO GS-4/2	GS-4/2 OUTLET SLEEVE
J..124	RACOR LAVADO GS 4-4/2	GS 4-4/2 WASHING SPRAY
J..215	CONO 4-4/2-8-8/2-9-80-100	4-4/2-8-8/2-9-80-100 CONE
J..220	MUELLE	SPRING
J..225	MUELLE GRANDE	GREAT SPRING
J..228	TORICA BRAZO LAVADO NBR	WASHING ARM RING
J..245	TAPA MOTOR GS4/2-8/2-9	GS 4/2-8/2-9 MOTOR LID
J..310	JUNTA GOMA DISTRIBUIDOR	DISTRIBUTOR RUBBER GASKET
J..331	MOTOR BO.0.5CV.GS 4/2-GS6	0.5CV GS-4/2 MOTOR
J..364	TERMINAL BRAZ.GS 3-4-4/2 SIN R	GS 3-4-4/2 ARM TERMINAL
J..366	TAPON DIST.LAVADO GS-4/2	GS-4/2 WASHING DISTR.CAP
J..368	DISTRIB. LAVADO GS 4-4/2	GS 4-4/2 WASHING DISTRIB.
J..491	TAPON LAVADO GS.82-100	GS.82-100 WASH CAP
J..657	TUERCA IZQ	LEFT NUT
J..658	TORICA	RING
J..659	SURTIDOR LAVADO CPTO	COMPLET WASH SPRAY
J..671	BRAZO LAVADO INFERIOR	LOWER WASH ARM
J..749	JUNTA TAPA	LID GASKET
LAV219	JUNTA TAPA MOTOR GOMA	MOTOR LID RUBBER GASKET
LB.170	ABRAZADERA 40-60	40-60 CLAMP



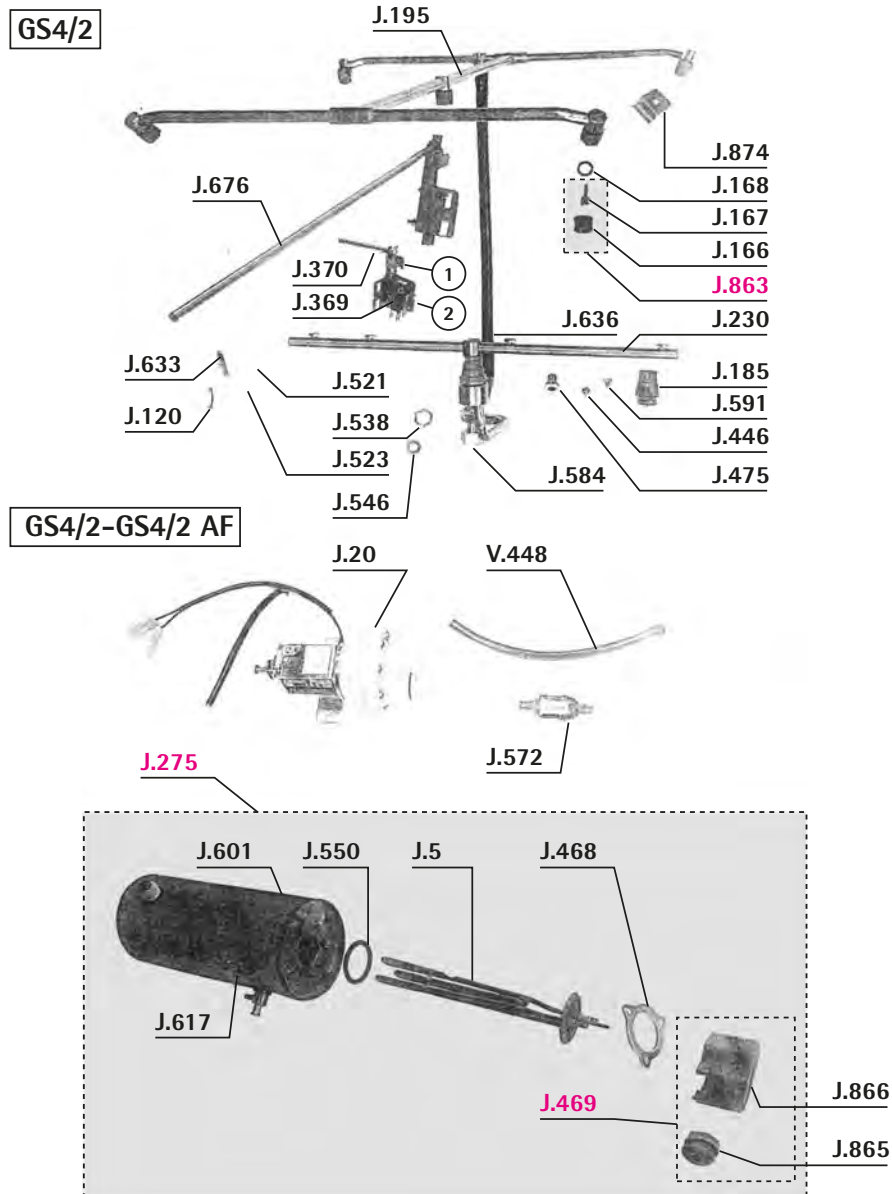
LAV.219 PLANA/PLANE
J.749 TORICA/RING





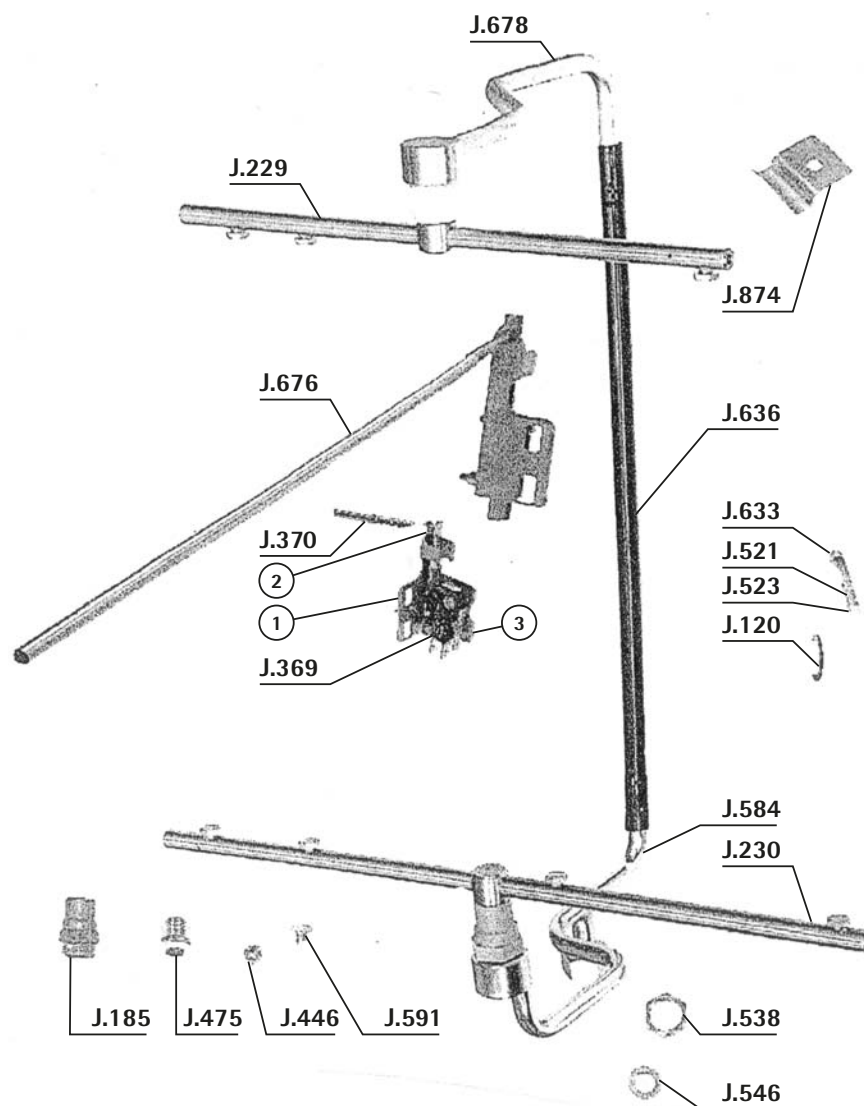
REF.	DESCRIPCIÓN	DESCRIPTION
H26192	RETEN EJE BOMBA	MECHANICAL SEAL
J..61	BRAZO LAVADO GS-4/2	GS-4/2 WASHING ARM
J..107	MANGUITO ENVIO GS-4/2	GS-4/2 OUTLET SLEEVE
J..123	RACOR LAVADO GS-3	GS-3 WASHING SPRAY FIT.
J..125	RACOR LAV.8-8/2-9-82-100	8-8/2-9-82-100 WASH SPRAY
J..130	TAPON RACOR LAVADO GS9	GS9 WASHING SPRAY CAP
J..215	CONO 4-4/2-8-8/2-9-80-100	4-4/2-8-8/2-9-80-100 CONE
J..220	MUELLE	SPRING
J..225	MUELLE GRANDE	GREAT SPRING
J..228	TORICA BRAZO LAVADO NBR	WASHING ARM RING
J..310	JUNTA GOMA DISTRIBUIDOR	DISTRIBUTOR RUBBER GASKET
J..491	TAPON LAVADO GS.82-100	GS.82-100 WASH CAP
J..584	T DISTRIBUIDOR ACLARADO	T RINSE DISTRIBUTOR
J..596	DISTRIB. LAV. INF.GS4/2 AF 9-8	GS4/2 AF 9-8 DISTRIBUTOR
J..658	TORICA	RING
J..661	DISTRIBUIDOR LAVADO SUPERIOR	SUPPER WASH DISTRIBUTION
J..664	MANGUITO GOMA	RUBBER SLEEVE
J..666	MANIGUITO CONICO	COMC SLEEVE
J..668	MOTOR 0,5CV	GS4/2AF MOTOR
J..669	BRAZO LAVADO GS-3	WASH ARM
J..672	TAPA BOMBA	PUMP LID
J..673	TUERCA EJE	ROD NUT
J..674	TURBINA	TURBINE
J..749	JUNTA TAPA	LID GASKET
J..872	TAPON NEGRO 3/4»	3/4» BLACK COVER
J..873	BRAZO LAVADO SUPERIOR GS-4/2 A	COMPLET UPPER WASHING ARM GS-4
LAV219	JUNTA TAPA MOTOR GOMA	MOTOR LID RUBBER GASKET
LB.170	ABRAZADERA 40-60	40-60 CLAMP
V..68	ABRAZADERA 32-50	35-50 CLAMP

Aclarado GS4/2 / Calderín GS4/2- GS4/2 AF ■ GS4/2 Rinse / GS4/2- GS4/2 AF Boiler

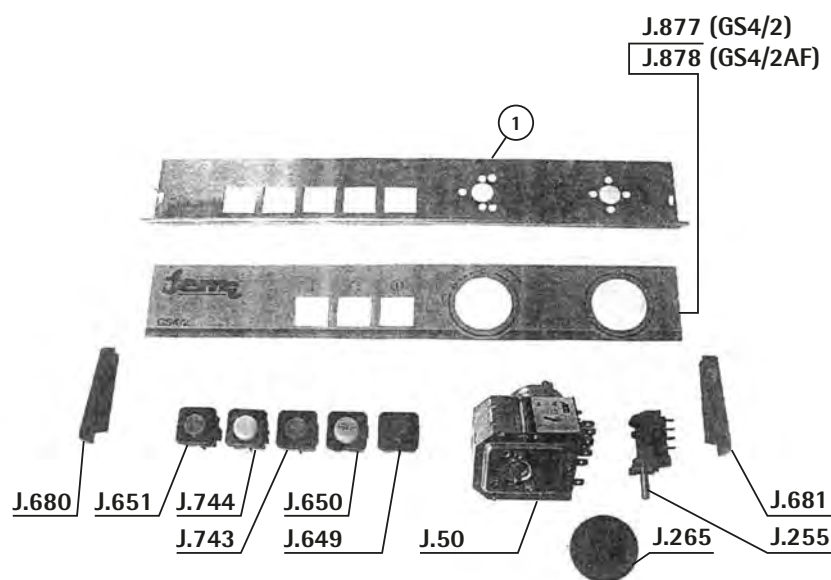


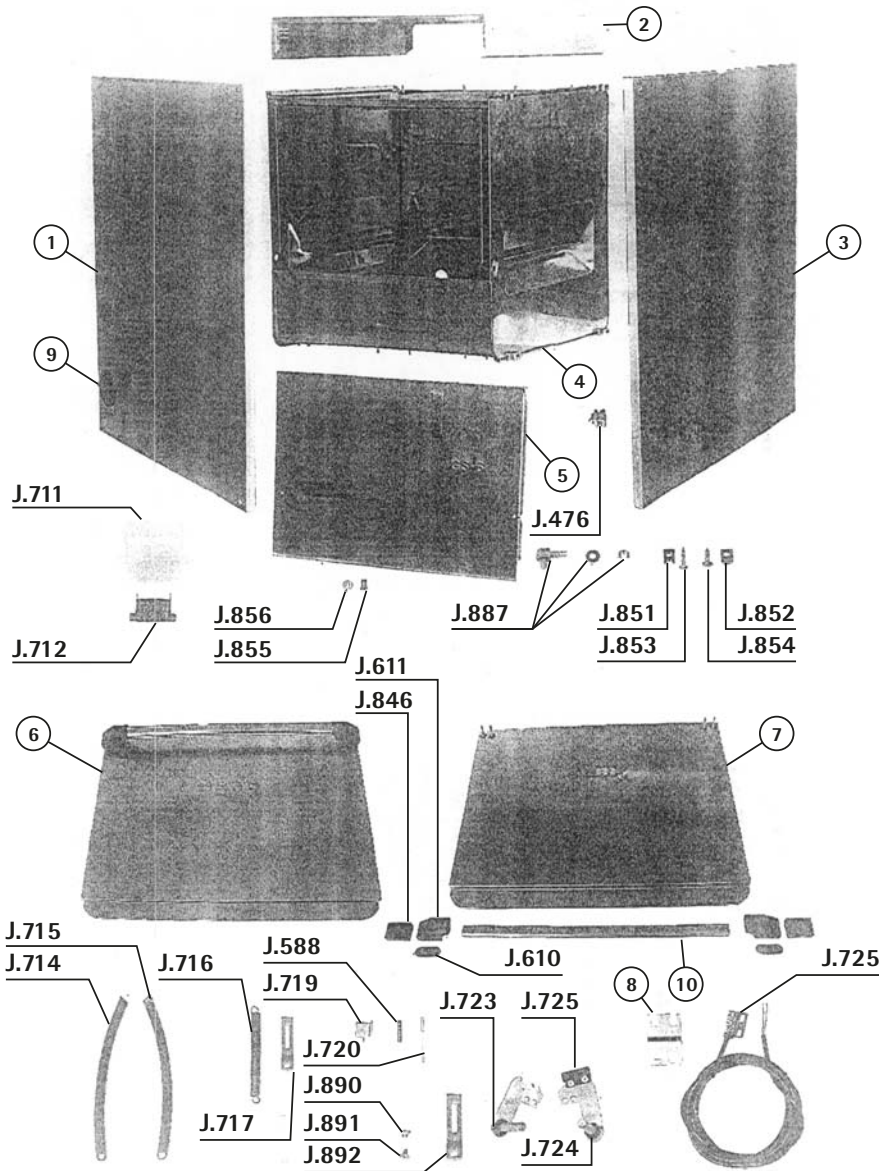
REF.	DESCRIPCIÓN	DESCRIPTION
J...5	RESIST.CALDERIN 2600W VAINA	2800W 230V BOILER RESISTANCE
J...20	DOSIFICADOR ABRILLANTADOR	RINSE AID DOSIMETER
J..120	TOMA PRESOSTATO	PRESSURE SWITCH INTAKE
J..166	ROCIADOR ACLARADO EXAGONAL	PLASTIC RINSE SPRAY
J..167	ESTRANGULADOR ACLARADO	RINSE SWIRL
J..168	JUNTA ROCIADOR GOMA	SPRAY RUBBER GASKET
J..185	EJE BRAZO GIRAT. GS 4-4/2	GS4-4/2 REVOLVING ARM ROD
J..195	ASTA ACLARADO SUP.GS4-4/2	GS4-4/2 UPPER RINSE ARM
J..230	GIRATORIO ACLAR.GS 4-4/2	GS4-4/2 RINSE GYRATORY
J..275	CALDERIN GS-4/8	GS4-4/2-8-8/2-9 BOILER
J..369	MICRO PUERTA 250V 16A	250V 16A DOOR MICROSWITCH
J..370	MUELLE MICRO PUERTA	MICROSWITCH SPRING
J..446	TORNILLO GIRAT.ACLAR. INOX	REVOLVING ARM SPRAY
J..468	PLETINA RESISTENCIA	RESISTANCE IRON PLATE
J..469	PROTECTOR RESISTENCIA	RESISTANCE PROTECTOR
J..475	TORNILLO ALLEN	ALLEN SCREW
J..521	TUBO P.V.C. 5X9 AZUL	BLUE 5X9 P.V.C. PIPE
J..523	ABRAZADERA 9,5-10	9,5-10 CLAMP
J..538	TUERCA 1/2» INOX	INOX 1/2» NUT
J..546	JUNTA ALIMENTARIA 10x18x2	10x18x2 ALIMENTARY GASKET
J..550	TORICA 44X6,5	44X6,5 RING
J..572	FILTRO DOSIFICADOR	DOSIMETER FILTER
J..584	T DISTRIBUIDOR ACLARADO	T RINSE DISTRIBUTOR
J..591	SURT.ACLARADO GS 4-4/2 INOX	INOX RINSE SPRAY
J..601	CALDERIN GS-4/2;8 Y 9	GS-9 BOILER
J..617	SUJECION TERMOSTATO	THERMOSTAT FIXATION
J..633	BRIDA 9mm	9mm CLAMP
J..636	TUBO 9x12	9x12 PIPE
J..676	VARILLA MICRO	MICRO ROD
J..863	SURTIDOR ACLARADO GRIS	GREY RINSE SPRAY
J..865	PASACABLES 12 MM	WIRINGPIN
J..866	TAPA PROTECCION RESISTENCIA	RESISTANCE PROTECTION COVER
J..874	BRIDA	CLASP
V..448	TUBO PRESOSTATO-METRO 4X6	4X6 PRE.SWITCH INLET PIPE

REF.	DESCRIPCIÓN	DESCRIPTION
J..120	TOMA PRESOSTATO	PRESSURE SWITCH INTAKE
J..185	EJE BRAZO GIRAT. GS 4-4/2	GS4-4/2 REVOLVING ARM ROD
J..229	GIRATORIO ACLARADO GS-3	GS-3 RINSE GYRATORY
J..230	GIRATORIO ACLAR. GS 4-4/2	GS4-4/2 RINSE GYRATORY
J..369	MICRO PUERTA 250V 16A	250V 16A DOOR MICROSWITCH
J..370	MUELLE MICRO PUERTA	MICROSWITCH SPRING
J..446	TORNILLO GIRAT.ACLAR. INOX	REVOLTING ARM SPRAY
J..475	TORNILLO ALLEN	ALLEN SCREW
J..521	TUBO P.V.C. 5X9 AZUL	BLUE 5X9 P.V.C. PIPE
J..523	ABRAZADERA 9,5-10	9,5-10 CLAMP
J..538	TUERCA 1/2» INOX	INOX 1/2» NUT
J..546	JUNTA ALIMENTARIA 10x18x2	10x18x2 ALIMENTARY GASKET
J..584	T DISTRIBUIDOR ACLARADO	T RINSE DISTRIBUTOR
J..591	SURT.ACLARADO GS 4-4/2 INOX	INOX RINSE SPRAY
J..633	BRIDA 9mm	9mm CLAMP
J..636	TUBO 9x12	9x12 PIPE
J..676	VARILLA MICRO	MICRO ROD
J..678	SOPORTE BRAZO GIRATORIO	GIRATORY ARM SUPPORT
J..874	BRIDA	CLASP



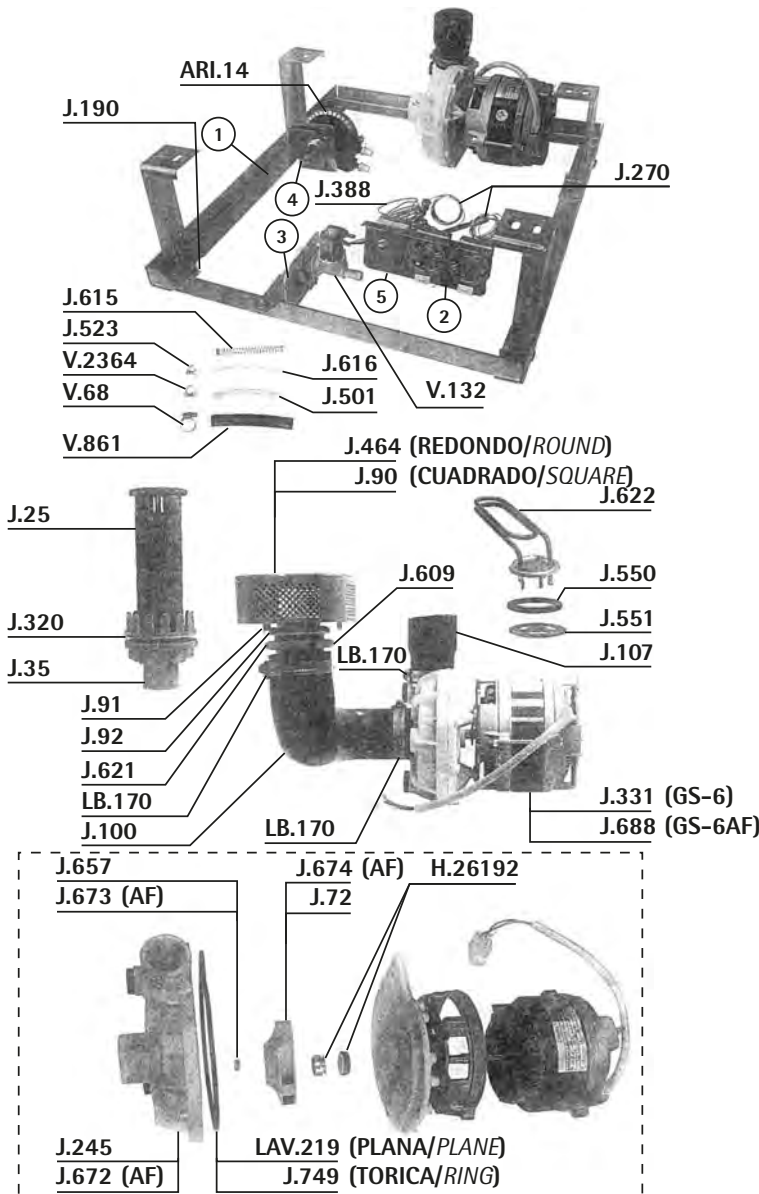
REF.	DESCRIPCIÓN	DESCRIPTION
J..50	PROGRAMADOR TODOS MODELOS	ALLS MODELS TIMER
J..255	INTERRUP.GENERAL MODERNO	MODERN GENERAL SWITCH
J..265	MANDO PROGRAMADOR	TIMER HANDLE
J..649	PULSADOR REGENERACION	PUSH BUTTON
J..650	PULSADOR BOMBA DESAGÜE	OUTLET PUMP PUSH BUTTON
J..651	PILOTO TEMPERATURA	TEMPERATURE LAMP
J..680	TAPA IZQ	LEFT LID
J..681	TAPA DERECHA	RIGHT LID
J..743	PILOTO PUESTA EN MARCHA	START LAMP
J..744	PILOTO CICLO LAVADO	WASH LAMP
J..877	CARATULA GS-4/2	MEMBRANE GS-4/2
J..878	CARATULA GS-4/2 AF	MEMBRANE GS-4/2 AF





REF.	DESCRIPCIÓN	DESCRIPTION
J..476	PRENSAESTOPA	STUFFING BOX NUT
J..588	RETEN BOMBA GS/82	GS/82 PUMP MECHANICAL SEAL
J..610	TAPA SOPORTE TIRADOR	ROD SUPPORT LID
J..611	SOPORTE TIRADOR	ROD SUPPORT
J..711	DEPOSITO ABRILLANTADOR	RINSE AID DOSIMETER BOX
J..712	CAJON	LEFT DRAWER
J..714	TIRANTE IZQUIERDO	RIGHT DRAWER
J..715	TIRANTE DERECHO	SPRING
J..716	MUELLE	SPRING TIGHTENER
J..717	TENSOR MUELLE	SQUARE
J..719	ESCUADRA	HEADLEM SCREW
J..720	REMACHE MICRO	LEFT DOOR HINGE
J..723	BISAGRA PUESTA IZQUIERDA	RIGHT DOOR HINGE
J..724	BISAGRA PUERTA DERECHA	MAGNET
J..725	MICRO PUERTA MAGNETICO	SUPPORT SUPLEMENT
J..846	COMPLEMENTO SOPORTE TIRADOR	REAR NUT
J..851	TUERCA RAPIDA FRONTAL MANDOS	FRONT PANEL NUT
J..852	TUERCA RAPIDA TRASERA	PANEL SCREW
J..853	TORNILLO FRONTAL MANDOS	REAR COVER SCREW INOX
J..854	TORNILLO INOX TAPA TRASERA	FIXATION NUT
J..855	TUERCA FIJACION	WASHER
J..856	ARANDELA	DETERGENT INLET
J..887	ENTRADA DETERGENTE	DOOR SCREW
J..890	TUERCA SUJECCION PUERTA	DOOR SCREW
J..891	TORNILLO SUJECCION PUERTA	GASKET 7x3x13
J..892	JUNTA TORICA 7x3x13	

Lavado inferior / Desagüe GS-6/GS-6AF ■ GS6/GS6AF Lower wash / Drain



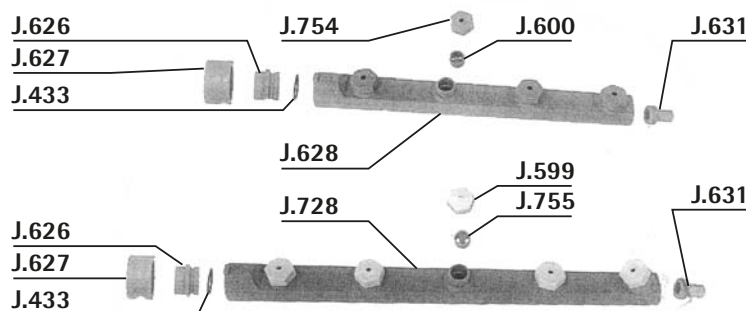
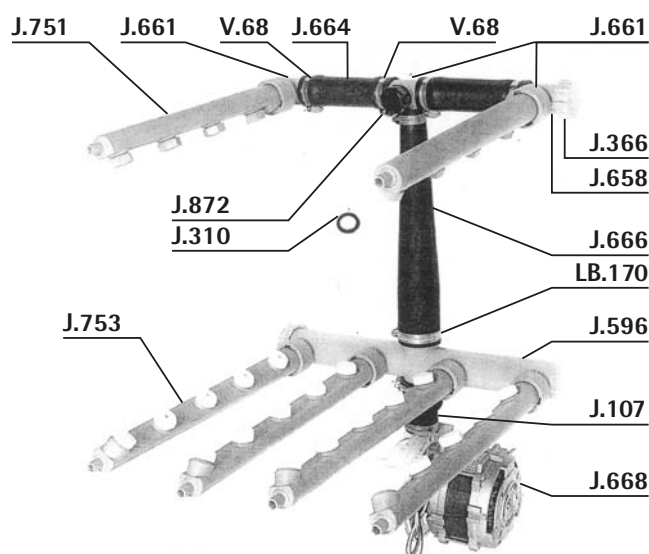
REF.	DESCRIPCIÓN	DESCRIPTION
ARI.14	DOSIFICADOR ABRILLANTADOR	RINSE AID DOSIMETER
H26192	RETEN EJE BOMBA	MECHANICAL SEAL
J...25	SOBRENIV. GS3-4-4/2-8-8/2-9	GS 4-4/2-8-8/2-9 OVE.PIPE
J...35	RACOR DESAGÜE COMPL.PLASTICO	DRAIN FITTING
J...72	TURBINA MOTOR GS 4/2	GS 4/2 PUMP TURBINE
J...90	FILTRO BOMBA 3-4/2-8/2-9	3-4/2-8/2-9 PUMP FILTER
J...91	RACOR	FITTING
J...92	JUNTA GOMA	RUBBER GASKET
J..100	MANG.ASPI.GS4-4/2-8-8/2-9	GS4-4/2-8-8/2-9 SU.SLEEVE
J..107	MANGUITO ENVIO GS-4/2	GS-4/2 OUTLET SLEEVE
J..190	PATA MAQUINA	MACHINE FOOT
J..245	TAPA MOTOR GS4/2-8/2-9	GS 4/2-8/2-9 MOTOR LID
J..270	TERMOSTATO ROSCADO 90°	90° SCREW THERMOSTAT
J..320	JUNTA GOMA	RUBBER GASKET
J..331	MOTOR BO.0.5CV.GS 4/2-GS6	0.5CV GS-4/2 MOTOR
J..388	TERMOSTATO SEGURIDAD 140°	SAFETY THERMOSTAT
J..464	FILTRO BOMBA GS-8	GS-8 PUMP FILTER
J..501	TUBO MALLA 6X12	6X12 PIPE
J..523	ABRAZADERA 9,5-10	9,5-10 CLAMP
J..550	TORICA 44X6,5	44X6,5 RING
J..551	BRIDA RESISTENCIA CUBA	TANK RESISTANCE CLASP
J..609	TUERCA	NUT
J..615	MUELLE TUBO ABRILLANTADOR	DOSIMETER SPRING
J..616	TUBO PVC TRANSPARENTE 6x9	6x9 TRANSPARENT PVC PIPE
J..621	TUERCA RACOR BOMBA	PUMP FITTING NUT
J..622	RESISTENCIA 2400W 230V	2400W RESISTANCE
J..657	TUERCA IZQ	LEFT NUT
J..668	MOTOR 0,5CV	GS4/2AF MOTOR
J..672	TAPA BOMBA	PUMP LID
J..673	TUERCA EJE	ROD NUT
J..674	TURBINA	TURBINE
J..749	JUNTA TAPA	LID GASKET
LAV219	JUNTA TAPA MOTOR GOMA	MOTOR LID RUBBER GASKET
LB.170	ABRAZADERA 40-60	40-60 CLAMP
V..68	ABRAZADERA 32-50	35-50 CLAMP
V..132	ELECTROVAL.1 VIA LAV.220V	WASH 1 WAY 220V SOLENOID
V..861	TUBO GOMA 12X22mm 20ATM	20ATM 12X22mm RUBBER PIPE
V.2364	ABRAZADERA RAPIDA 12-13	12-13 QUICK CLAMP

¿Tiene alguna duda?
LLÁMENOS

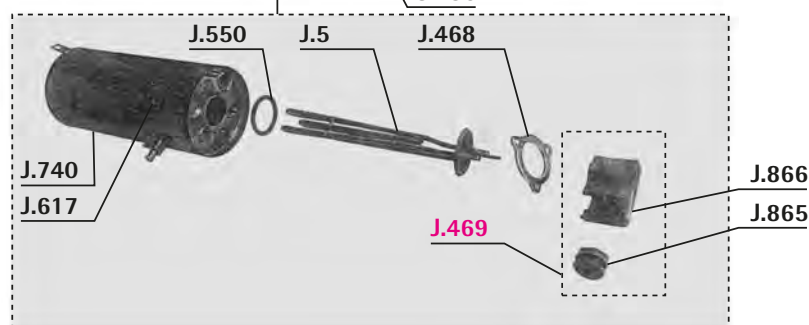
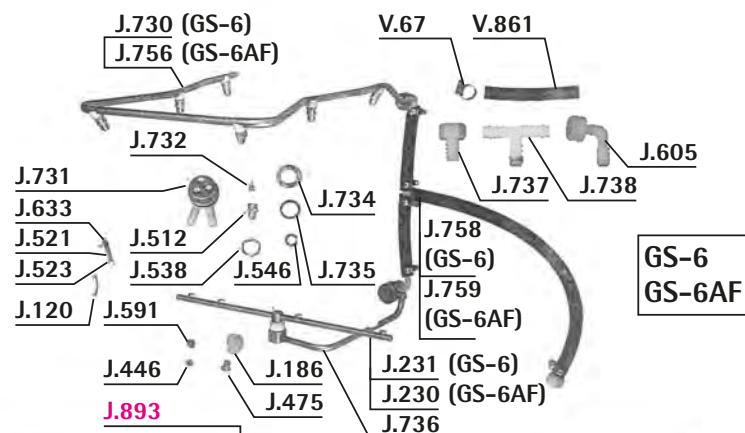
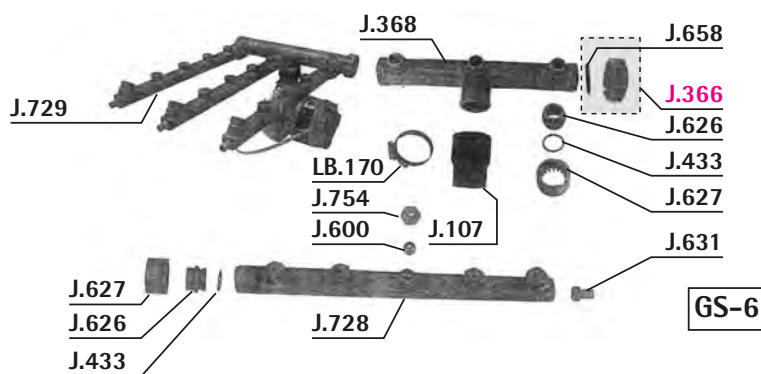


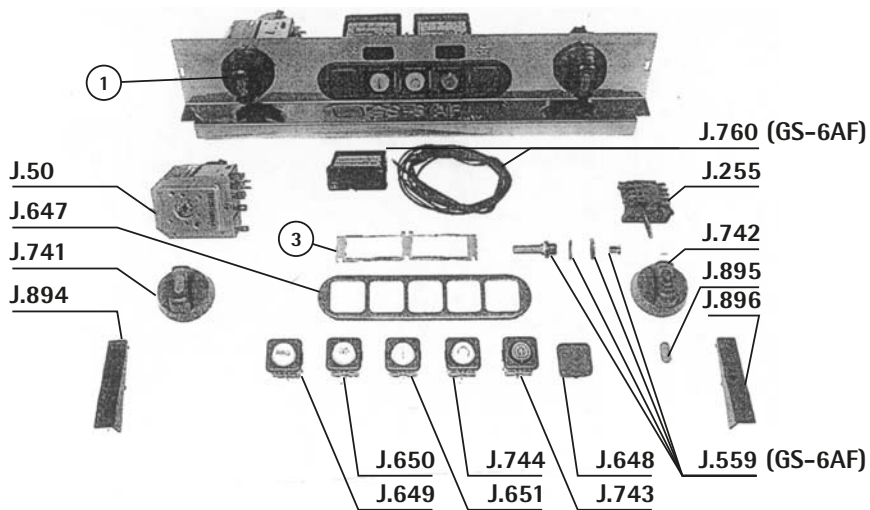
Tel: 93 377 64 11
Fax: 93 377 98 03
ascaso@ascaso.com

REF.	DESCRIPCIÓN	DESCRIPTION
J..107	MANGUITO ENVIO GS-4/2	GS-4/2 OUTLET SLEEVE
J..310	JUNTA GOMA DISTRIBUIDOR	DISTRIBUTOR RUBBER GASKET
J..366	TAPON DIST.LAVADO GS-4/2	GS-4/2 WASHING DISTR.CAP
J..433	TORICA GOMA	RING
J..596	DISTRIB. LAV. INF.GS4/2 AF 9-8	GS4/2 AF 9-8 DISTRIBUTOR
J..599	TAPON LAVADO MODERNO	GS-82 MODERN WASH CAP
J..600	ESTRANG. LAVADO GS-82 MODERNO	GS-82 MODERN WASHING SWIRL
J..626	TAPON OBTURACION	CAP
J..627	ANILLO CIERRE	CLOSE RING
J..628	BRAZO LAVADO SOLO	WASH ARM
J..631	TERMINAL BRAZO ACABADO	WASH ARM TERMINAL
J..658	TORICA	RING
J..661	DISTRIBUIDOR LAVADO SUPERIOR	SUPPER WASH DISTRIBUTION
J..664	MANIGUITO	SLEEVE
J..666	MANIGUITO CONICO	COMC SLEEVE
J..668	MOTOR 0,5CV	GS4/2AF MOTOR
J..728	BRAZO LAVADO SOLO	WASH ARM
J..751	BRAZO LAVADO SUPERIOR CPTO	COMPELT SUPPER WASH ARM
J..753	BRAZO LAVADO INFERIOR CPTO	COMPELT LOWER WASH ARM
J..754	TAPA LAVADO 6	DIM6 WASH CAP
J..755	HELICE 2 SALIDAS	2 OUTLET PROPELLER
J..872	TAPON NEGRO 3/4»	3/4» BLACK COVER
LB.170	ABRAZADERA 40-60	40-60 CLAMP
V..68	ABRAZADERA 32-50	35-50 CLAMP

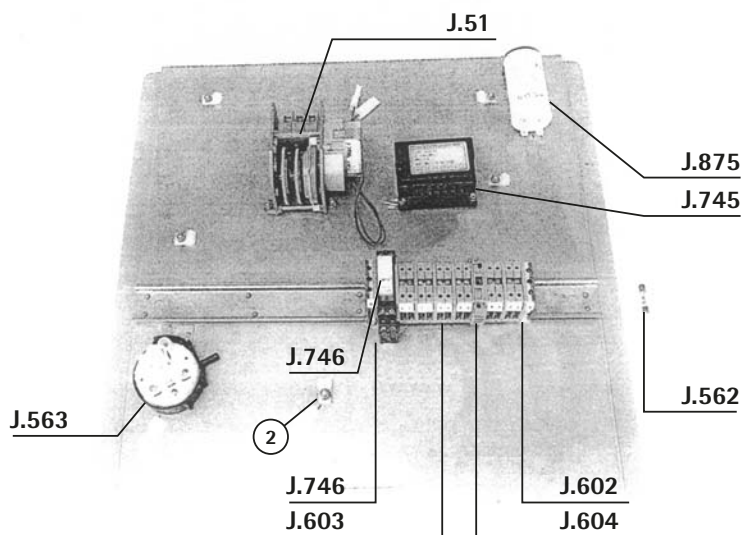


REF.	DESCRIPCIÓN	DESCRIPTION
J....5	RESIST.CALDERIN 2600W VAINA	2800W 230V BOILER RESISTANCE
J..107	MANGUITO ENVIO GS-4/2	GS-4/2 OUTLET SLEEVE
J..120	TOMA PRESOSTATO	PRESSURE SWITCH INTAKE
J..186	EJE BRAZO GIRATOR.GS9	GS9 REVOLVING ARM ROD
J..230	GIRATORIO ACLAR.GS 4-4/2	GS4-4/2 RINSE GYRATORY
J..231	GIRAT.ACLA.GS 8-8/2-9 RECTO	GS8-8/2-9 RINSE STRAIGHT GYR.
J..366	TAPON DIST.LAVADO GS-4/2	GS-4/2 WASHING DISTR.CAP
J..368	DISTRIB. LAVADO GS 4-4/2	GS 4-4/2 WASHING DISTRIB.
J..433	TORICA GOMA	RING
J..446	TORNILLO GIRAT.ACLAR. INOX	REVOLVING ARM SPRAY
J..468	PLETINA RESISTENCIA	RESISTANCE IRON PLATE
J..469	PROTECTOR RESISTENCIA	RESISTANCE PROTECTOR
J..475	TORNILLO ALLEN	ALLEN SCREW
J..512	ROCIADOR ACLARADO	RINSE SPRAY
J..521	TUBO P.V.C. 5X9 AZUL	BLUE 5X9 P.V.C. PIPE
J..523	ABRAZADERA 9,5-10	9,5-10 CLAMP
J..538	TUERCA 1/2» INOX	INOX 1/2» NUT
J..546	JUNTA ALIMENTARIA 10x18x2	10x18x2 ALIMENTARY GASKET
J..550	TORICA 44X6,5	44X6,5 RING
J..591	SURT.ACLARADO GS 4-4/2 INOX	INOX RINSE SPRAY
J..600	ESTRANG. LAVADO GS-82 MODERNO	GS-82 MODERN WASHING SWIRL
J..605	CODO PLASTICO	ELBOW
J..617	SUJECION TERMOSTATO	THERMOSTAT FIXATION
J..626	TAPON OBTURACION	CAP
J..627	ANILLO CIERRE	CLOSE RING
J..631	TERMINAL BRAZO ACABADO	WASH ARM TERMINAL
J..633	BRIDA 9mm	9mm CLAMP
J..658	TORICA	RING
J..728	BRAZO LAVADO SOLO	WASH ARM
J..729	BRAZO LAVADO CPTO	COMPELT WASH ARM
J..730	DISTRIBUIDOR ACLARADO SUP.	SUPPER RINSE ARM
J..731	VALVULA ANTIREFLUJO	VALVE
J..732	HELICE ACLARADA	RINSE PROPELLER
J..734	JUNTA	GASKET
J..735	JUNTA	GASKET
J..736	SOPORTE BRAZO GIRATORIO	GIRATORY ARM SUPPORT
J..737	RACOR RECTO	STRAIGHT FITTING
J..738	T.DISTRIBUIDOR	DISTRIBUTOR T
J..740	CALDERIN GS-18	BOILER
J..754	TAPA LAVADO 6	DIM6 WASH CAP
J..756	DISTRIBUIDOR ACALARADO SUP	SUPPER RINSE DISTRIBUTION
J..758	DISTRIBUIDOR ACLARADO GS.6	GS.6 RINSE DISTRIBUTION
J..759	DISTRIBUIDOR ACLARADO GS-6AF	GS-6AF RINSE DISTRIBUTION
J..865	PASACABLES 12 MM	WIRINGPIN
J..866	TAPA PROTECCION RESISTENCIA	RESISTANCE PROTECTION COVER
J..893	CALDERIN COMPLETO GS-6 GS-6 A	COMPELT BOILER
LB.170	ABRAZADERA 40-60	40-60 CLAMP
V..67	ABRAZADERA 16-27	16-27 CLAMP
V..861	TUBO GOMA 12X22mm 20ATM	20ATM 12X22mm RUBBER PIPE

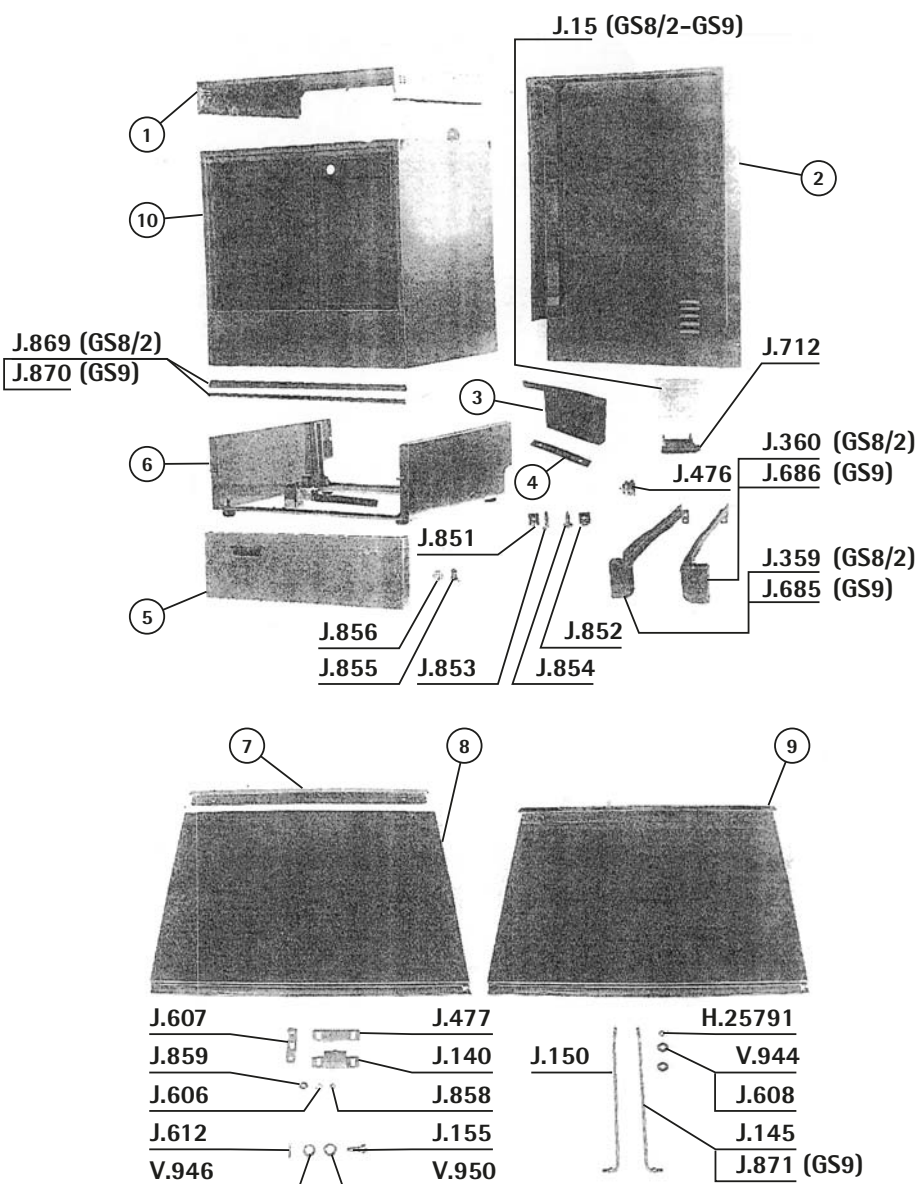




REF.	DESCRIPCIÓN	DESCRIPTION
J...50	PROGRAMADOR TODOS MODELOS	ALLS MODELS TIMER
J...51	PRO.REGENERACION 3MIC.80S	3TOOT.20m REGENERAT.TIMER
J..255	INTERRUP.GENERAL MODERNO	MODERN GENERAL SWITCH
J..559	RACOR TERMOMETRO CPTO.	COMPLET THERM. FITTING
J..562	FUSIBLE 6A	6A FUSE
J..563	PRESOSTATO SAL.HORIZ.35/15	35/15 VERT.PRESS.SWITCH
J..602	BORNE TOMA TIERRA	CONNECTOR
J..603	REGLETA 4 FASTOM	FOUR CONNECTIONS CONNECTOR
J..604	REGLETA PORTA FUSIBLE	FUSE CONNECTOR
J..647	MARCO	FRAME
J..648	TAPA PILOTO	LAMP CAP
J..649	PULSADOR REGENERACION	PUSH BUTTON
J..650	PULSADOR BOMBA DESAGÜE	OUTLET PUMP PUSH BUTTON
J..651	PILOTO TEMPERATURA	TEMPERATURE LAMP
J..741	MANDO PROGRAMADOR	TIMER HANDLE
J..742	MANDO INTERRUPTOR	SWITCH HANDLE
J..743	PILOTO PUESTA EN MARCHA	START LAMP
J..744	PILOTO CICLO LAVADO	WASH LAMP
J..745	ARRANQUE LENTO	START
J..746	RELE 10A	10A RELAY
J..760	TERMOMETRO DIGITAL CUBA	TANK DIGITAL THERMOSTAT
J..875	CONDENSADOR 12,5 NF 450 V AC 5	12,5 NF 450 V AC 50 HZ CONDENS
J..894	TAPA LATERAL MANDOS IZQUIERDA	LEFT HANDLES COVER
J..895	EMBELLECEDOR MANDO	KNOB COVER
J..896	TAPA LATERAL MANDOS DERECHA	RIGHT PANEL COVER

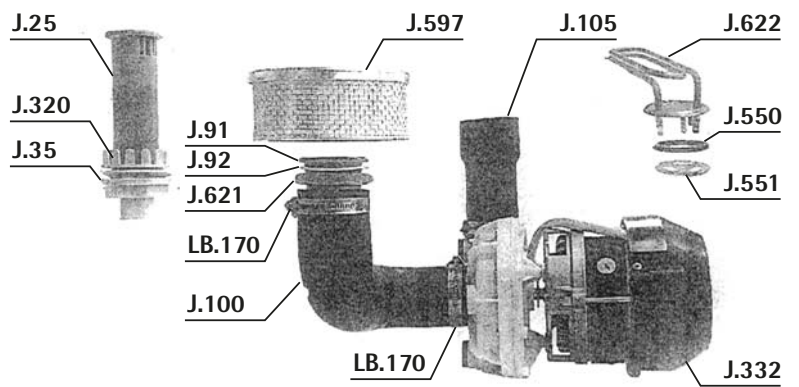
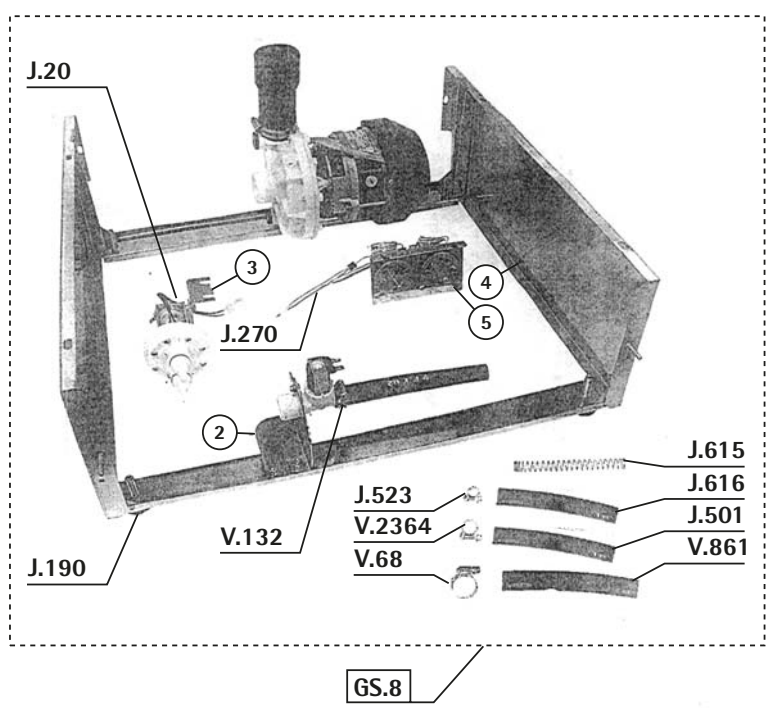


Carrocería GS8/2 - GS9 ■ GS8/2 - GS9 Bodywork

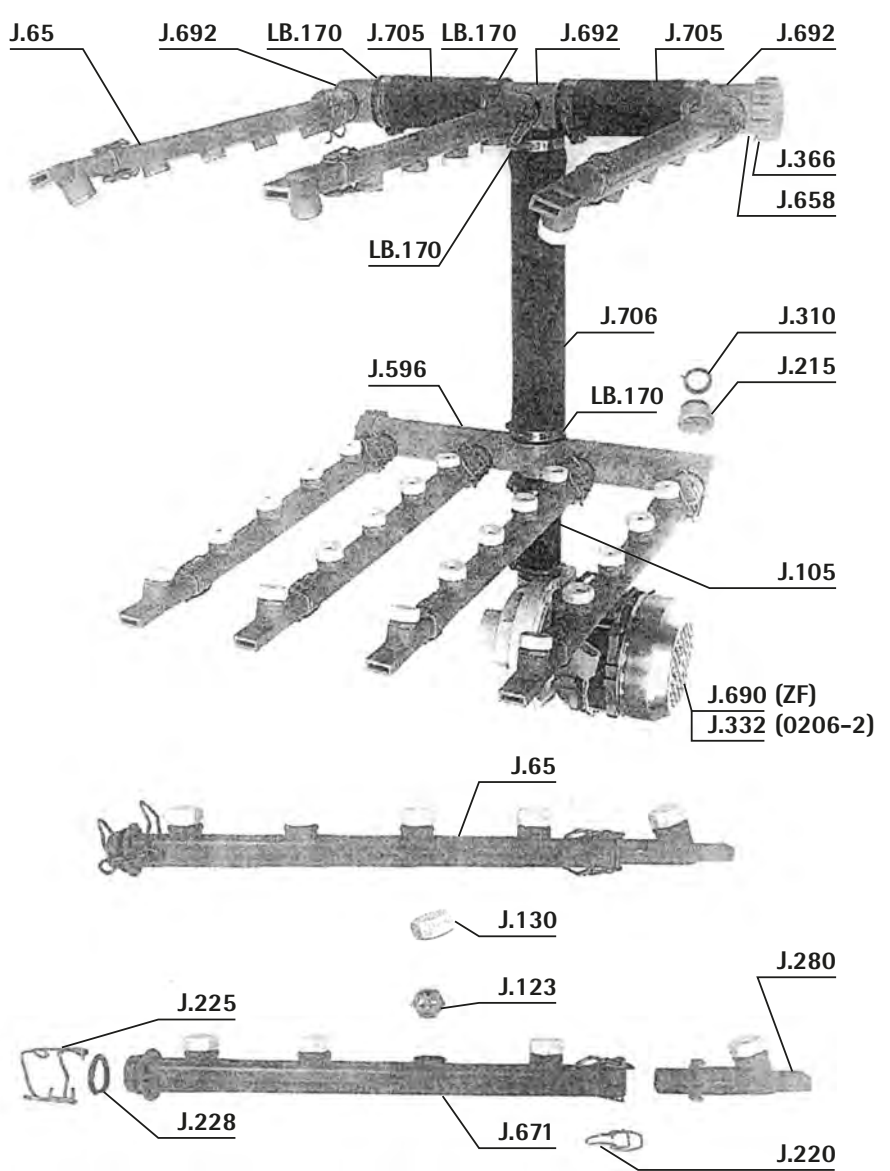


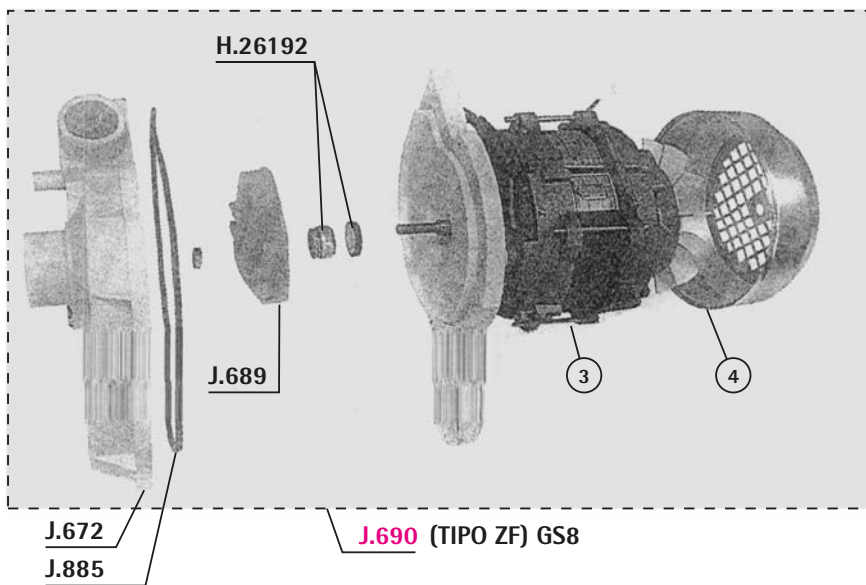
REF.	DESCRIPCIÓN	DESCRIPTION
H25791	TUERCA AUTOBLOCANTE	AUTOBLOC NUT
J...15	DEPOSITO ABRILLANTADOR	GS-3 RINSE AID CONTAINER
J..140	CIERRE PUERTA	CLOSING DOOR
J..145	VARILLA PUERTA IZQUIERDA	LEFT DOOR ROD
J..150	VARILLA PUERTA DERECHA	RIGHT DOOR ROD
J..155	TORNILLO EJE PUERTA	DOOR ROD
J..359	GUIA CESTA IZDA.GS 8-8/2	GS 8-8/2 LEFT GUIDE
J..360	GUIA CESTA DCHA.GS 8-8/2	GS 8-8/2 RIGHT GUIDE
J..476	PRENSAESTOPA	STUFFING BOX NUT
J..477	CHAPA SUPLEMENTO CIERRE	SUPLEMENT CLOSING PLATE
J..606	ARANDELA DENTADA INOX M4	M4 INOX WASHER
J..607	GUIA VARILLA	ROD GUIDE
J..608	TOPE PUERTA	DOOR STOP
J..612	PASADOR	PIN
J..685	GUIA CESTA IZQ	LEFT BASKET GUIDE
J..686	GUIA CESTA DERECHA	RIGHT BASKET GUIDE
J..712	CAJON	BOX
J..851	TUERCA RAPIDA FRONTAL MANDOS	REAR NUT
J..852	TUERCA RAPIDA TRASERA	FRONT PANEL NUT
J..853	TORNILLO FRONTAL MANDOS	PANEL SCREW
J..854	TORNILLO INOX TAPA TRASERA	REAR COVER SCREW INOX
J..855	TUERCA FIJACION	FIXATION NUT
J..856	ARANDELA	WASHER
J..858	TUERCA INOX M4	NUT INOX M4
J..859	ARANDELA INOX M4	WASHER INOX M4
J..869	CANAL DESAGÜE GS-8/2	DRAIN WATERWAY GS-8/2
J..870	CANAL DESAGÜE GS-9	GS-9 DRAIN WATERWAY
J..871	VARILLA PUERTA IZQUIERDA GS-9	GS-9 LEFT DOOR ROD
V..944	ARANDELA DENTADA INOX M5	M5 INOX GROVER WASHER
V..946	ARANDELA DENTADA INOX M8	M8 INOX GROVER WASHER
V..950	ARANDELA INOX M8	M8 INOX WASHER

REF.	DESCRIPCIÓN	DESCRIPTION
J...20	DOSIFICADOR ABRILLANTADOR	RINSE AID DOSIMETER
J...25	SOBRENIV. GS3-4-4/2-8-8/2-9	GS 4-4/2-8-8/2-9 OVE.PIPE
J...35	RACOR DESAGÜE COMPL.PLASTICO	DRAIN FITTING
J...91	RACOR ADMISION BOMBA	ADMISSION PUMP FITTING
J...92	JUNTA GOMA	RUBBER GASKET
J...100	MANG.ASPI.GS4-4/2-8-8/2-9	GS4-4/2-8-8/2-9 SU.SLEEVE
J...105	MANGUITO ENVIO GS 8-8/2-9	GS 8-8/2-9 OUTLET SLEEVE
J...190	PATA MAQUINA	MACHINE FOOT
J..270	TERMOSTATO ROSCADO 90°	90° SCREW THERMOSTAT
J..320	JUNTA GOMA	RUBBER GASKET
J..332	MOTOR GS 8-8/2 0.75 CV	0.75CV GS 8-8/2 MOTOR
J..501	TUBO MALLA 6X12	6X12 PIPE
J..523	ABRAZADERA 9,5-10	9,5-10 CLAMP
J..550	TORICA 44X6,5	44X6,5 RING
J..551	BRIDA RESISTENCIA CUBA	TANK RESISTANCE CLASP
J..597	FILTRO INOX BOMBA	PUMP INOX FILTER
J..615	MUELLE TUBO ABRILLANTADOR	DOSIMETER SPRING
J..616	TUBO PVC TRANSPARENTE 6x9	6x9 TRANSPARENT PVC PIPE
J..621	TUERCA RACOR BOMBA	PUMP FITTING NUT
J..622	RESISTENCIA 2400W 230V	2400W RESISTANCE
LB.170	ABRAZADERA 40-60	40-60 CLAMP
V...68	ABRAZADERA 32-50	35-50 CLAMP
V..132	ELECTROVAL.1 VIA LAV.220V	WASH 1 WAY 220V SOLENOID
V..861	TUBO GOMA 12X22mm 20ATM	20ATM 12X22mm RUBBER PIPE
V.2364	ABRAZADERA RAPIDA 12-13	12-13 QUICK CLAMP

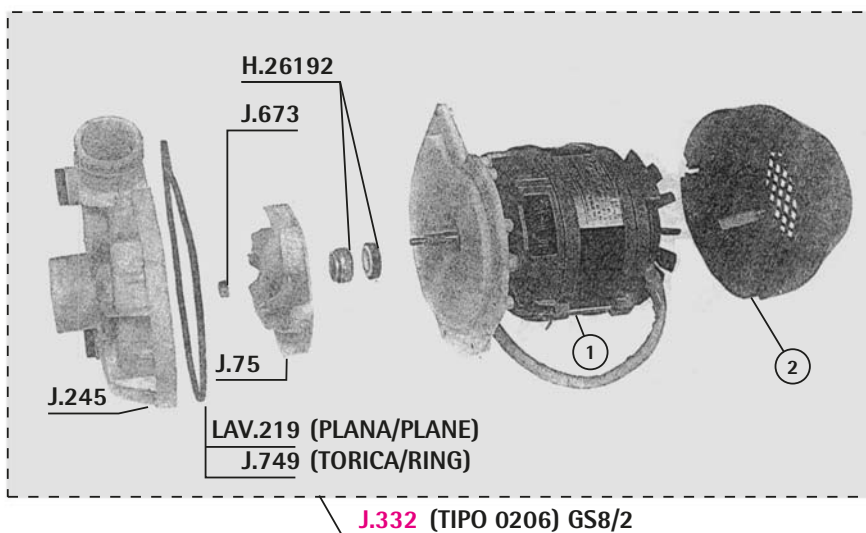


REF.	DESCRIPCIÓN	DESCRIPTION
J...65	BRAZO LAVADO GS8/8-2 CTO.	GS 8-8/2 WASHING ARM
J...105	MANGUITO ENVIO GS 8-8/2-9	GS 8-8/2-9 OUTLET SLEEVE
J..123	RACOR LAVADO GS-3	GS-3 WASHING SPRAY FIT.
J..130	TAPON RACOR LAVADO GS9	GS9 WASHING SPRAY CAP
J..215	CONO 4-4/2-8-8/2-9-80-100	4-4/2-8-8/2-9-80-100 CONE
J..220	MUELLE	SPRING
J..225	MUELLE GRANDE	GREAT SPRING
J..228	TORICA BRAZO LAVADO NBR	WASHING ARM RING
J..280	TERMINAL GS8-8/2-80-100 SIN SU	GS8-8/2-80-100 TERMINAL
J..310	JUNTA GOMA DISTRIBUIDOR	DISTRIBUTOR RUBBER GASKET
J..332	MOTOR GS 8-8/2 0.75 CV	0.75CV GS 8-8/2 MOTOR
J..366	TAPON DIST.LAVADO GS-4/2	GS-4/2 WASHING DISTR.CAP
J..596	DISTRIB. LAV. INF.GS4/2 AF 9-8	GS4/2 AF 9-8 DISTRIBUTOR
J..658	TORICA	RING
J..671	BRAZO LAVADO INFERIOR	LOWER WASH ARM
J..690	BOMBA TIPO ZF	TYPE ZF PUMP
J..692	DISTRIBUIDOR LAVADO SUP.(CJTO)	SUPPER WASH DISTRIBUTION
J..705	TUBO GOMA	RUBBER PIPE
J..706	TUBO GOMA	RUBBER PIPE
LB.170	ABRAZADERA 40-60	40-60 CLAMP





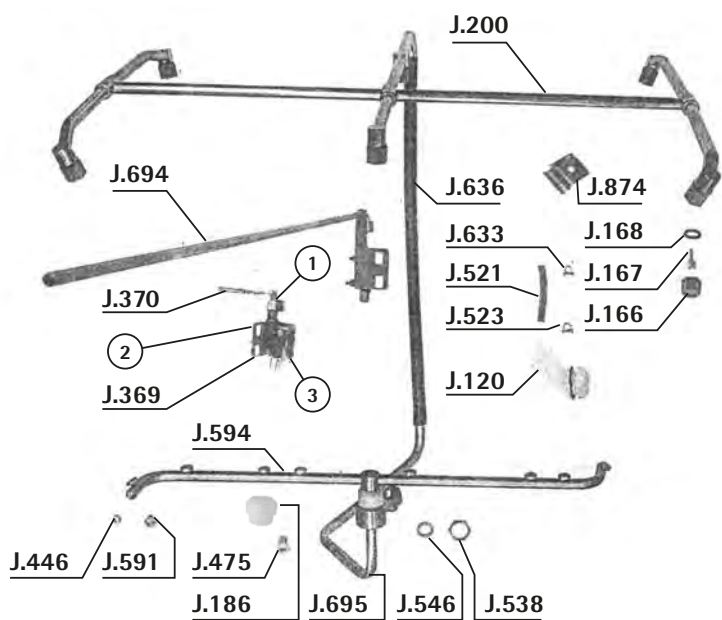
J.690 (TIPO ZF) GS8



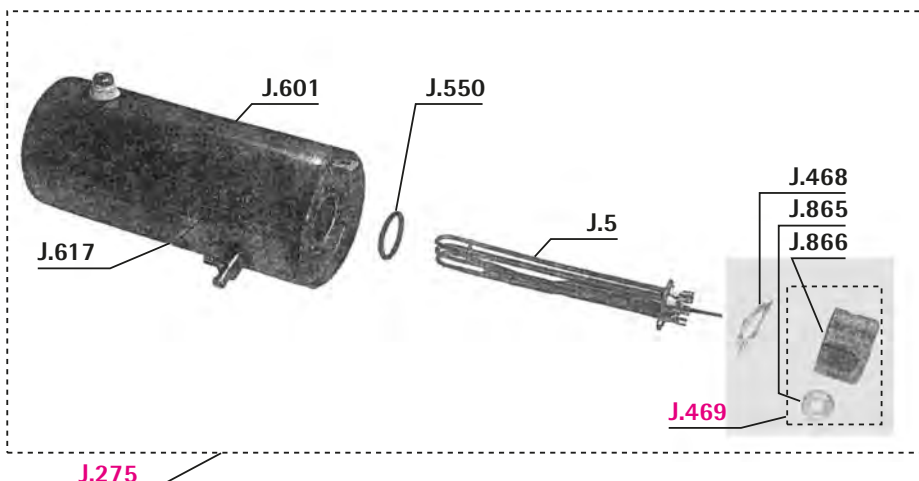
J.332 (TIPO 0206) GS8/2

REF.	DESCRIPCIÓN	DESCRIPTION
H26192	RETEN EJE BOMBA	MECHANICAL SEAL
J...75	TURBINA MOTOR GS-8/2 GS-9	GS-8/2 GS-9 PUMP TURBINE
J..245	TAPA MOTOR GS4/2-8/2-9	GS 4/2-8/2-9 MOTOR LID
J..332	MOTOR GS 8-8/2 0.75 CV	0.75CV GS 8-8/2 MOTOR
J..672	TAPA BOMBA	PUMP LID
J..673	TUERCA EJE	ROD NUT
J..689	TURBINA	TURBINE
J..690	BOMBA TIPO ZF	TYPE ZF PUMP
J..749	JUNTA TAPA	LID GASKET
J..885	JUNTA TAPA MOTOR	MOTOR COVER GASKET
LAV219	JUNTA TAPA MOTOR GOMA	MOTOR LID RUBBER GASKET

Aclarado / Calderín GS8/2 ■ GS-8/2 Rinse / Boiler

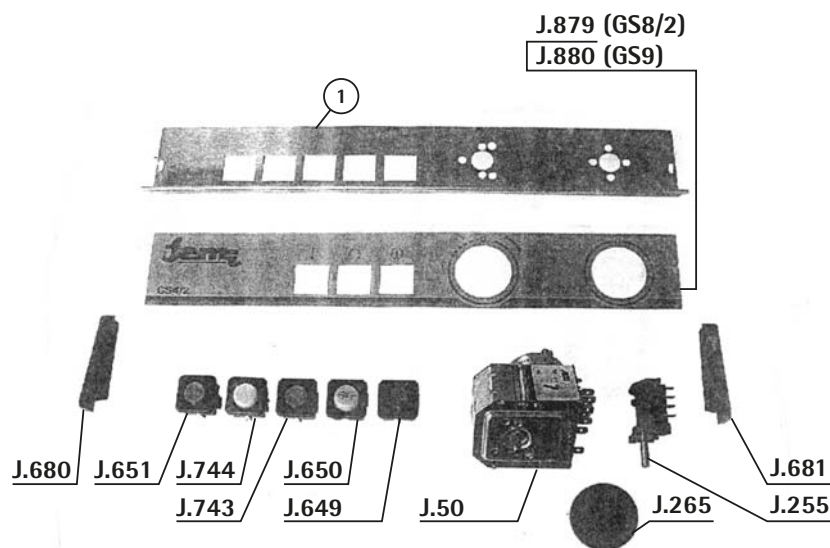


REF.	DESCRIPCIÓN	DESCRIPTION
J....5	RESIST.CALDERIN 2600W VAINA	2800W 230V BOILER RESISTANCE
J..120	TOMA PRESOSTATO	PRESSURE SWITCH INTAKE
J..166	ROCIADOR ACLARADO EXAGONAL	PLASTIC RINSE SPRAY
J..167	ESTRANGULADOR ACLARADO	RINSE SWIRL
J..168	JUNTA ROCIADOR GOMA	SPRAY RUBBER GASKET
J..186	EJE BRAZO GIRATOR.GS9	GS9 REVOLVING ARM ROD
J..200	ASTA ACLARADO SUP.GS8-8/2	GS 8-8/2 UPPER RINSE ARM
J..275	CALDERIN GS-4/8	GS4-4/2-8-8/2-9 BOILER
J..369	MICRO PUERTA 250V 16A	250V 16A DOOR MICROSWITCH
J..370	MUELLE MICRO PUERTA	MICROSWITCH SPRING
J..446	TORNILLO GIRAT.ACLAR. INOX	REVOLTING ARM SPRAY
J..468	PLETINA RESISTENCIA	RESISTANCE IRON PLATE
J..469	PROTECTOR RESISTENCIA	RESISTANCE PROTECTOR
J..475	TORNILLO ALLEN	ALLEN SCREW
J..521	TUBO P.V.C. 5X9 AZUL	BLUE 5X9 P.V.C. PIPE
J..523	ABRAZADERA 9,5-10	9,5-10 CLAMP
J..538	TUERCA 1/2» INOX	INOX 1/2» NUT
J..546	JUNTA ALIMENTARIA	ALIMENTARY GASKET
J..550	TORICA 44X6,5	44X6,5 RING
J..591	SURT.ACLARADO GS 4-4/2 INOX	INOX RINSE SPRAY
J..594	GIRATORIO ACLARADO GS 9 MODERO	MODERN GS-9 RINSE GYRATORY
J..601	CALDERIN GS-4/2;8 Y 9	GS-9 BOILER
J..617	SUJECION TERMOSTATO	THERMOSTAT FIXATION
J..633	BRIDA 9mm	9mm CLAMP
J..636	TUBO 9x12	9x12 PIPE
J..694	VARILLA MICRO L-450MM	MICRO ROD
J..695	SOPORTE BRAZO GIRATORIO	GIRATORY ARM SUPPORT
J..865	PASACABLES 12 MM	WIRINGPIN
J..866	TAPA PROTECCION RESISTENCIA	RESISTANCE PROTECTION COVER
J..874	BRIDA	CLASP

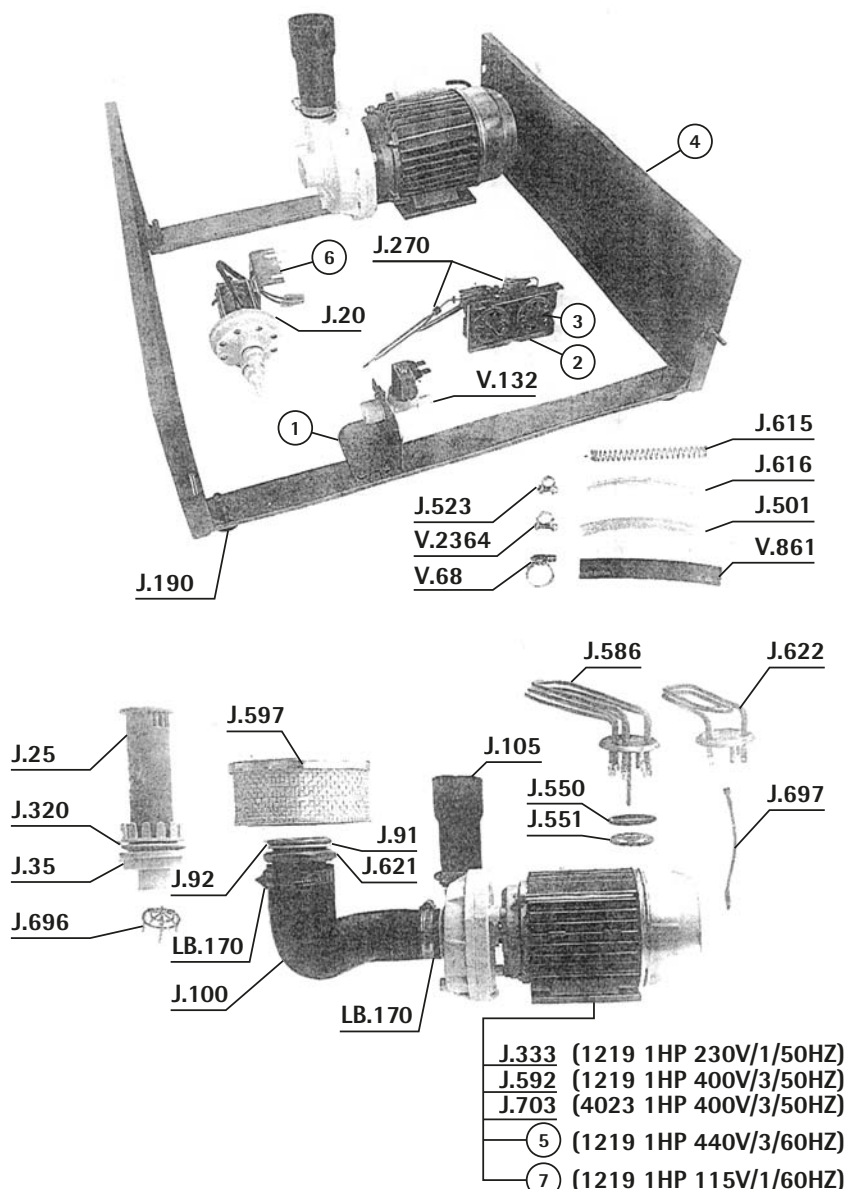


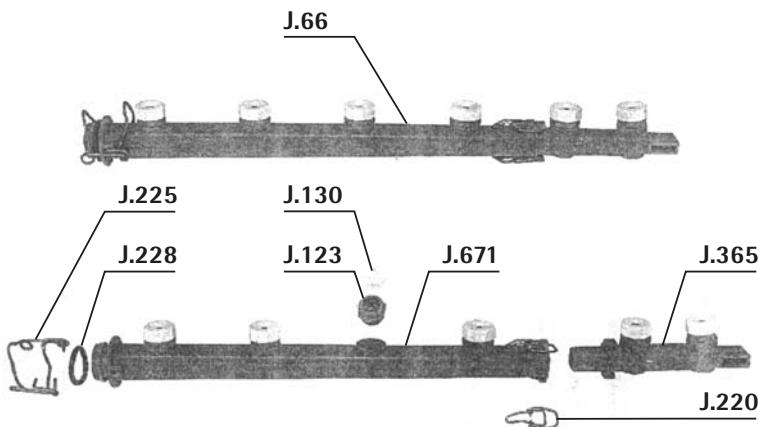
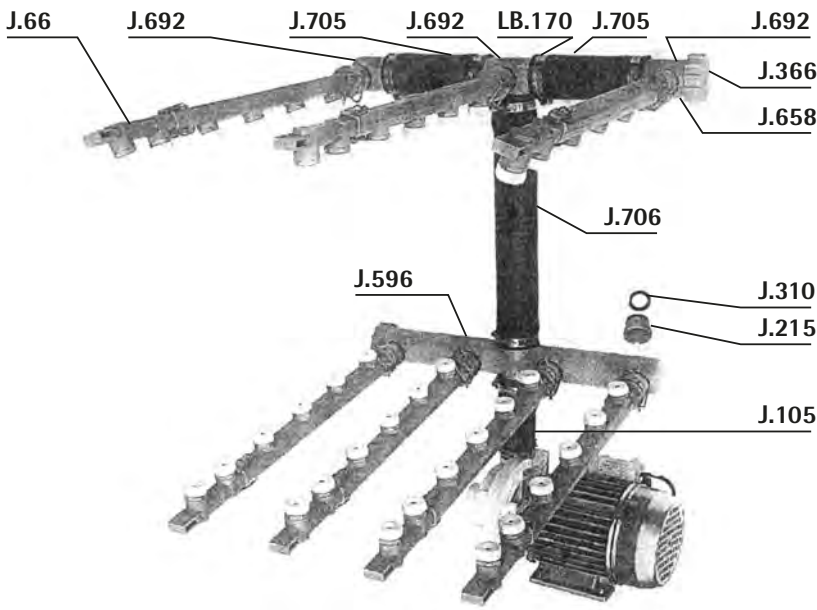
J.275

REF.	DESCRIPCIÓN	DESCRIPTION
J...50	PROGRAMADOR TODOS MODELOS	ALLS MODELS TIMER
J..255	INTERRUPGENERAL MODERNO	MODERN GENERAL SWITCH
J..265	MANDO PROGRAMADOR	TIMER HANDLE
J..649	PULSADOR REGENERACION	PUSH BUTTON
J..650	PULSADOR BOMBA DESAGÜE	OUTLET PUMP PUSH BUTTON
J..651	PILOTO TEMPERATURA	TEMPERATURE LAMP
J..680	TAPA IZQ	LEFT LID
J..681	TAPA DERECHA	RIGHT LID
J..743	PILOTO PUESTA EN MARCHA	START LAMP
J..744	PILOTO CICLO LAVADO	WASH LAMP
J..879	CARATULA GS-8/2	MEMBRANE GS-8/2
J..880	CARATULA GS-9	MEMBRANE GS-9



REF.	DESCRIPCIÓN	DESCRIPTION
J...20	DOSIFICADOR ABRILLANTADOR	RINSE AID DOSIMETER
J...25	SOBRENIV. GS3-4-4/2-8-8/2-9	GS 4-4/2-8-8/2-9 OVE.PIPE
J...35	RACOR DESAGÜE COMPL.PLASTICO	DRAIN FITTING
J...91	RACOR ADMISION BOMBA	ADMISSION PUMP FITTING
J...92	JUNTA GOMA	RUBBER GASKET
J..100	MANG.ASPI.GS4-4/2-8-8/2-9	GS4-4/2-8-8/2-9 SU.SLEEVE
J..105	MANGUITO ENVIO GS 8-8/2-9	GS 8-8/2-9 OUTLET SLEEVE
J..190	PATA MAQUINA	MACHINE FOOT
J..270	TERMOSTATO ROSCADO 90°	90° SCREW THERMOSTAT
J..320	JUNTA GOMA	RUBBER GASKET
J..333	MOTOR GS-9 COMPLETO 1 C.V.	1 CV GS 9 MOTOR
J..501	TUBO MALLA 6X12	6X12 PIPE
J..523	ABRAZADERA 9,5-10	9,5-10 CLAMP
J..550	TORICA 44X6,5	44X6,5 RING
J..551	BRIDA RESISTENCIA CUBA	TANK RESISTANCE CLASP
J..586	RESISTENCIA CUBA 4500W 380V	GS9 380V TANK RESISTANCE
J..592	MOTOR GS-9 TRIFISICO	GS-9 THREE-PHASE MOTOR
J..597	FILTRO INOX BOMBA	PUMP INOX FILTER
J..615	MUELLE TUBO ABRILLANTADOR	DOSIMETER SPRING
J..616	TUBO PVC TRANSPARENTE 6x9	6x9 TRANSPARENT PVC PIPE
J..621	TUERCA	NUT
J..622	RESISTENCIA 2400W 230V	2400W RESISTANCE
J..696	FILTRO METALICO	METALIC FILTER
J..697	PUENTE RESISTENCIA	RESISTANCE CORRECTOR
J..703	BOMBA 1HP 400V 3/50H2 TIPO 403	PUMP 1HP 400V 3/50H2 TYPE 403
LB.170	ABRAZADERA 40-60	40-60 CLAMP
V..68	ABRAZADERA 32-50	35-50 CLAMP
V..132	ELECTROVAL.1 VIA LAV.220V	WASH 1 WAY 220V SOLENOID
V..861	TUBO GOMA 12X22mm 20ATM	20ATM 12X22mm RUBBER PIPE
V.2364	ABRAZADERA RAPIDA 12-13	12-13 QUICK CLAMP

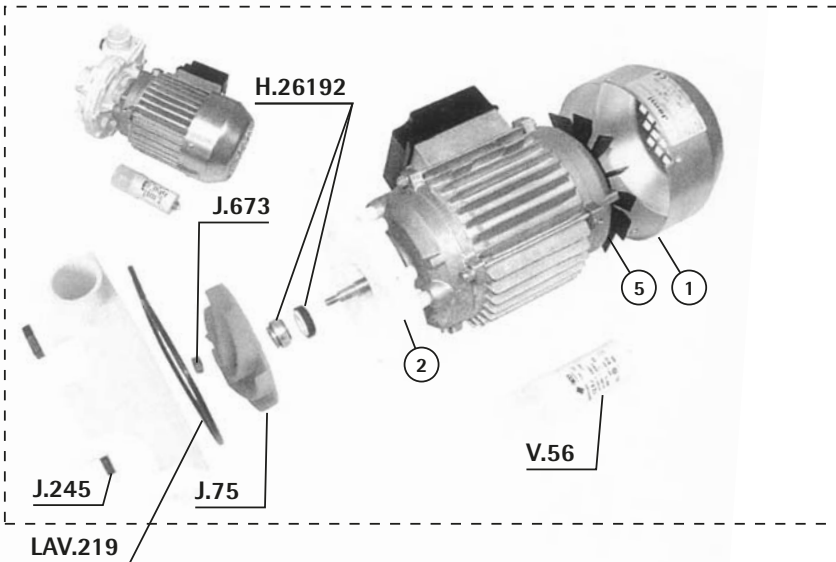




REF.	DESCRIPCIÓN	DESCRIPTION
J...66	BRAZO LAVADO GS-9 CTO.	GS9 WASHING ARM
J..105	MANGUITO ENVIO GS 8-8/2-9	GS 8-8/2-9 OUTLET SLEEVE
J..123	RACOR LAVADO GS-3	GS-3 WASHING SPRAY FIT.
J..130	TAPON RACOR LAVADO GS9	GS9 WASHING SPRAY CAP
J..215	CONO 4-4/2-8-8/2-9-80-100	4-4/2-8-8/2-9-80-100 CONE
J..220	MUELLE	SPRING
J..225	MUELLE GRANDE	GREAT SPRING
J..228	TORICA BRAZO LAVADO NBR	WASHING ARM RING
J..310	JUNTA GOMA DISTRIBUIDOR	DISTRIBUTOR RUBBER GASKET
J..365	TERMINAL BRAZ.LAVADO GS-9 SIN	GS-9 WASHING ARM TERMINAL
J..366	TAPON DIST.LAVADO GS-4/2	GS-4/2 WASHING DISTR.CAP
J..596	DISTRIB. LAV. INF.GS4/2 AF 9-8	GS4/2 AF 9-8 DISTRIBUTOR
J..658	TORICA	RING
J..671	BRAZO LAVADO INFERIOR	LOWER WASH ARM
J..692	DISTRIBUIDOR LAVADO SUP.(CJTO)	SUPPER WASH DISTRIBUTION
J..705	TUBO GOMA	RUBBER PIPE
J..706	TUBO GOMA	RUBBER PIPE
LB.170	ABRAZADERA 40-60	40-60 CLAMP

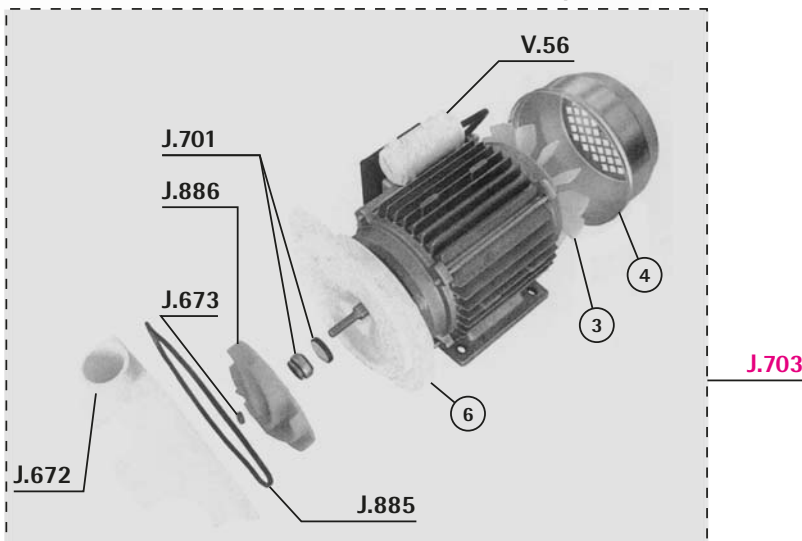
Bomba lavado GS-9 ■ GS-9 Wash pump 1210

TIPO/TYPE 1219



REF.	DESCRIPCIÓN	DESCRIPTION
H26192	RETEN EJE BOMBA	MECHANICAL SEAL
J...75	TURBINA MOTOR GS-8/2 GS-9	GS-8/2 GS-9 PUMP TURBINE
J..245	TAPA MOTOR GS4/2-8/2-9	GS 4/2-8/2-9 MOTOR LID
J..672	TAPA BOMBA	PUMP LID
J..673	TUERCA EJE	ROD NUT
J..701	RETEN	MECHANICAL SEAL
J..703	BOMBA 1HP 400V 3/50H2 TIPO 403	PUMP 1HP 400V 3/50H2 TYPE 403
J..885	JUNTA TAPA MOTOR	MOTOR COVER GASKET
J..886	TURBINA BOMBA TIPO 4023	PUMP TURBINE TYPE 4023
LAV219	JUNTA TAPA MOTOR GOMA	MOTOR LID RUBBER GASKET
V..56	CONDENSADOR 12,5 MF 220V	12,5MF 220V CONDENSER

TIPO/TYPE 4023

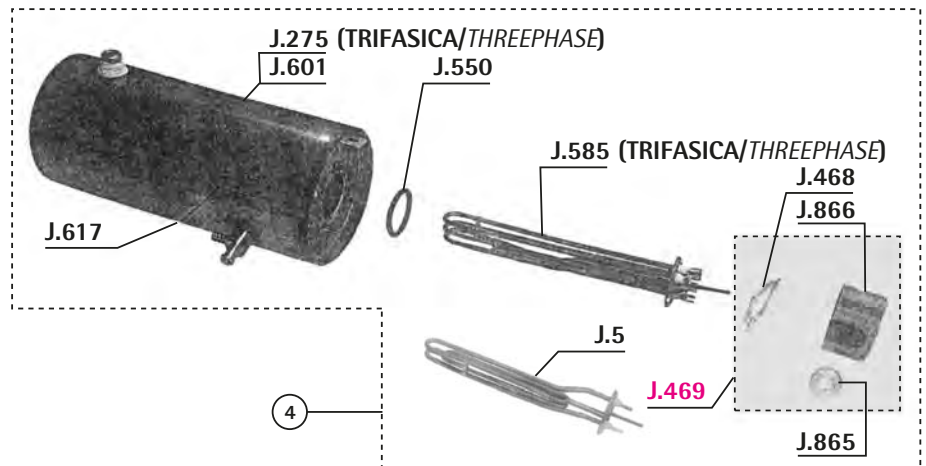
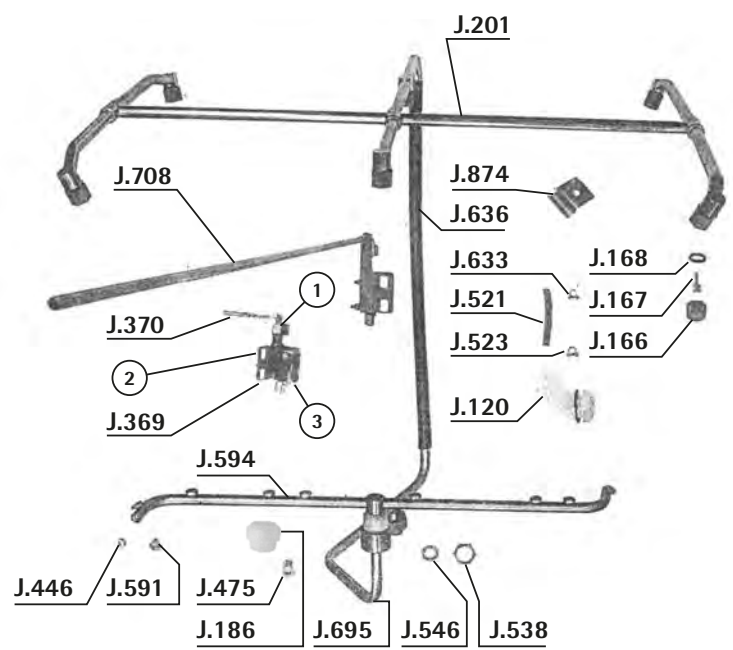


In case of doubt, please CONTACT US



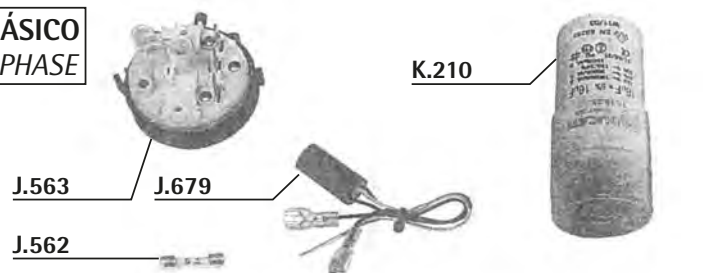
Tel: 93 377 64 11
Fax: 93 377 98 03
ascaso@ascaso.com

REF.	DESCRIPCIÓN	DESCRIPTION
J....5	RESIST.CALDERIN 2600W VAINA	2800W 230V BOILER RESISTANCE
J..120	TOMA PRESOSTATO	PRESSURE SWITCH INTAKE
J..166	ROCIADOR ACLARADO EXAGONAL	PLASTIC RINSE SPRAY
J..167	ESTRANGULADOR ACLARADO	RINSE SWIRL
J..168	JUNTA ROCIADOR GOMA	SPRAY RUBBER GASKET
J..186	EJE BRAZO GIRATOR.GS9	GS9 REVOLVING ARM ROD
J..201	ASTA ACLARADO SUP.GS-9	GS-9 UPPER RINSE ARM
J..275	CALDERIN GS-4/8	GS4-4/2-8-8/2-9 BOILER
J..369	MICRO PUERTA 250V 16A	250V 16A DOOR MICROSWITCH
J..370	MUELLE MICRO PUERTA	MICROSWITCH SPRING
J..446	TORNILLO GIRAT.ACLAR. INOX	REVOLTING ARM SPRAY
J..468	PLETINA RESISTENCIA	RESISTANCE IRON PLATE
J..469	PROTECTOR RESISTENCIA	RESISTANCE PROTECTOR
J..475	TORNILLO ALLEN	ALLEN SCREW
J..521	TUBO P.V.C. 5X9 AZUL	BLUE 5X9 P.V.C. PIPE
J..523	ABRAZADERA 9,5-10	9,5-10 CLAMP
J..538	TUERCA 1/2» INOX	INOX 1/2» NUT
J..546	JUNTA ALIMENTARIA	ALIMENTARY GASKET
J..550	TORICA 44X6,5	44X6,5 RING
J..585	RESISTENCIA CALD.GS9 400V 4500	GS9 400V BOILER RESISTAN.
J..591	SURT.ACLARADO GS 4-4/2 INOX	INOX RINSE SPRAY
J..594	GIRATORIO ACLARADO GS 9 MODERO	MODERN GS-9 RINSE GYRATORY
J..601	CALDERIN GS-4/2;8 Y 9	GS-9 BOILER
J..617	SUJECION TERMOSTATO	THERMOSTAT FIXATION
J..633	BRIDA 9mm	9mm CLAMP
J..636	TUBO 9x12	9x12 PIPE
J..695	SOPORTE BRAZO GIRATORIO	GIRATORY ARM SUPPORT
J..708	VARILLA MICRO	MICRO ROD
J..865	PASACABLES 12 MM	WIRINGPIN
J..866	TAPA PROTECCION RESISTENCIA	RESISTANCE PROTECTION COVER
J..874	BRIDA	CLASP

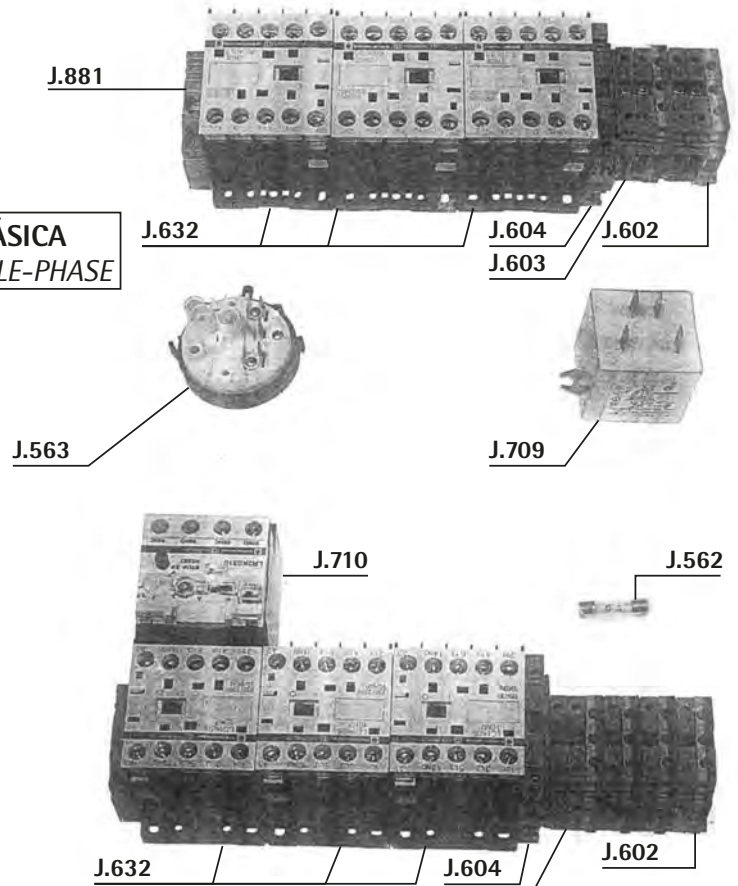


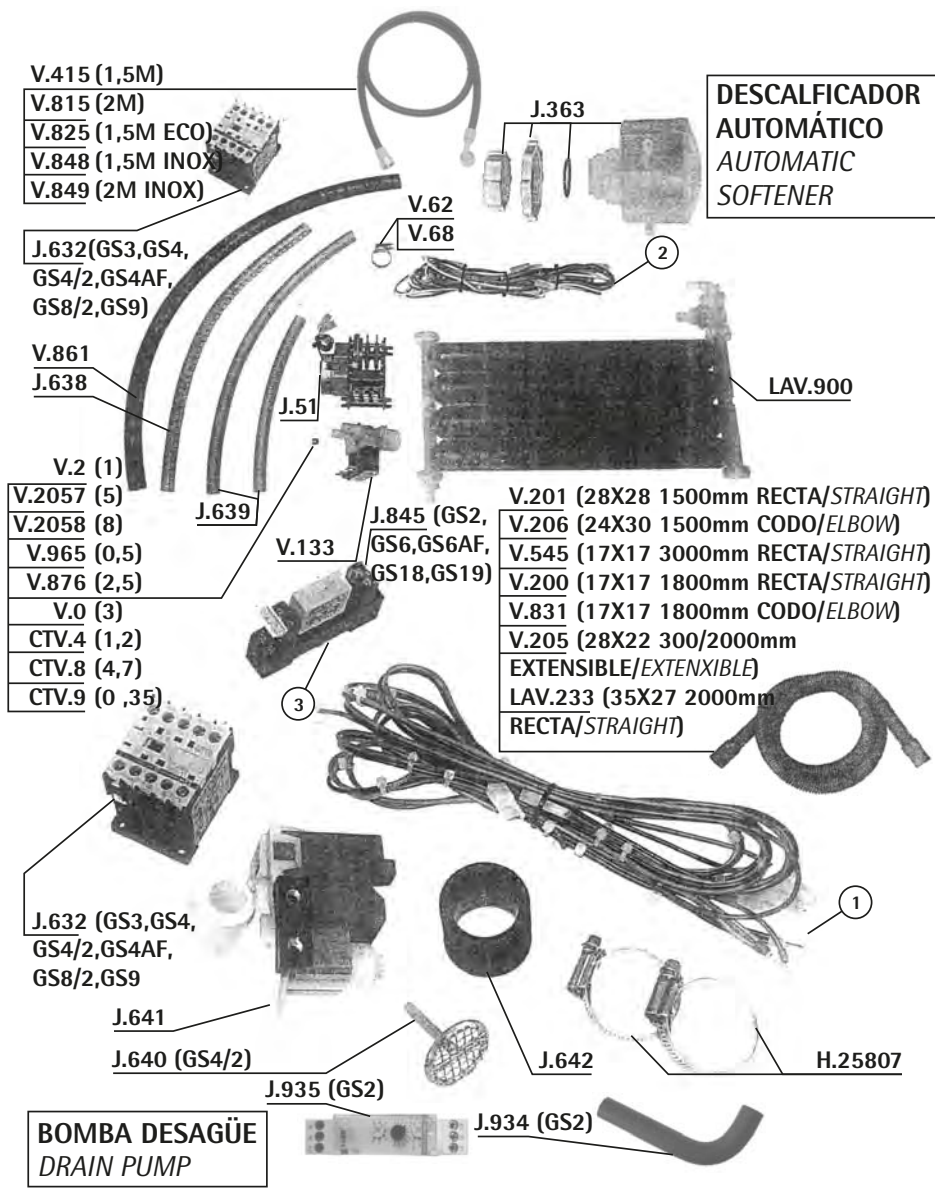
REF.	DESCRIPCIÓN	DESCRIPTION
J..562	FUSIBLE 6A	6A FUSE
J..563	PRESOSTATO SAL.HORIZ.35/15	35/15 VERT.PRESS.SWITCH
J..602	BORNE TOMA TIERRA	CONNECTOR
J..603	REGLETA 4 FASTOM	FOUR CONNECTIONS CONNECTOR
J..604	REGLETA PORTA FUSIBLE	FUSE CONNECTOR
J..632	CONTACTOR 20A	20A CONTACTOR
J..679	CONDENSADOR ANTIPARASITO	CONDENSER
J..709	ANTIPARASITO	CONDENSER
J..710	TERMICO 400V	400V RELAY
J..881	TOPE FINAL BORNE	STOP END CONNECTOR
K..210	CONDENSADOR 16 MF. 220V	16 MF. 220V CONDENSER

MONOFÁSICO SINGLE-PHASE



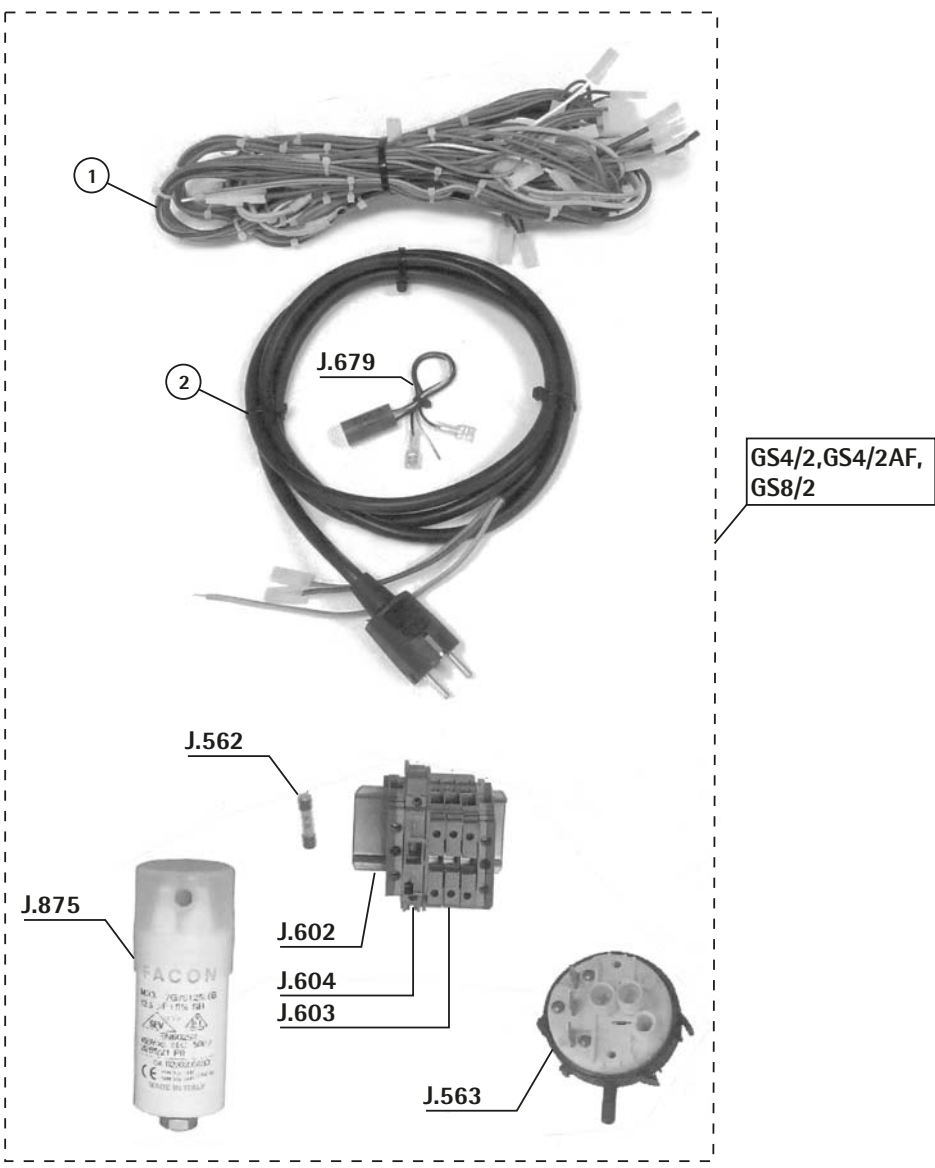
TRIFÁSICO SINGLE-PHASE





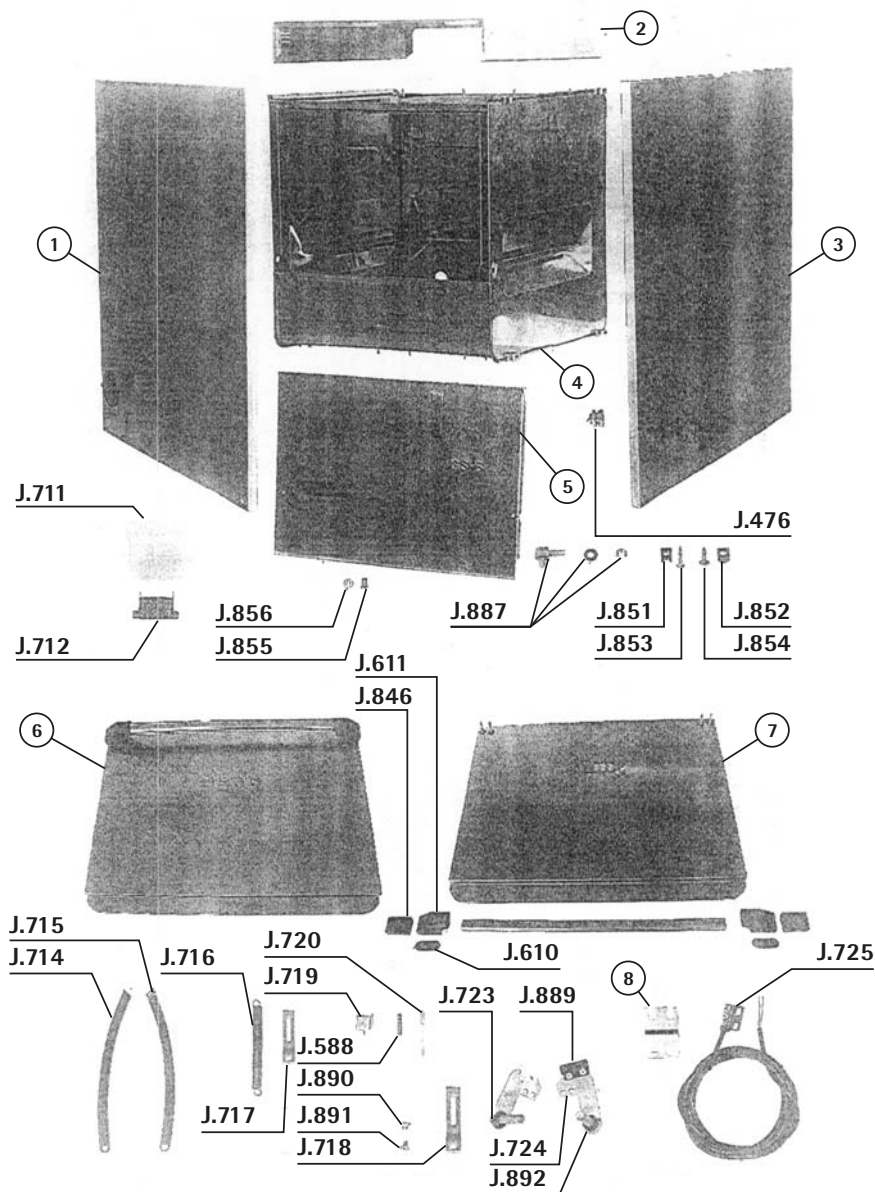
REF.	DESCRIPCIÓN	DESCRIPTION
CVT..4	REDUCTOR CAUDAL 1,2L/MIN	SOLENOID REDUCER 1,2L/MIN
CVT..8	REDUCTOR CAUDAL BLANCO 4,7L/M	SOLENOID REDUCER WHITE 4,7L/M
CVT..9	REDUCTOR CAUDAL AMARILLO 0,35L	SOLENOID REDUCER YELLOW 0,35L
H25807	ABRAZADERA 25-40	25-40 CLAMP
J...51	PRO.REGENERACION 3MIC.80S	3TOOT.20m REGENERAT.TIMER
J..363	DEPOSITO SAL	SALT CONTAINER
J..632	CONTACTOR 20A	20A CONTACTOR
J..638	TUBO SPRIGWING 010x16xL=400	010x16xL=400 SPINGWING PIPE
J..639	TUBO MALLA 010x16	DIM10x16 PIPE
J..640	FILTRO BOMBA DESAGÜE	OUTLET PUMP FILTER
J..641	BOMBA DESAGÜE	OUTLET PUMP
J..642	TUBO 040	DIM40 PIPE
J..845	RELE 10A	10A RELAY
J..934	MANGUITO GS-2	GS-2 PIPE
J..935	TEMPORIZADOR	GS-2 TIMER
LAV233	TUBO DESAGÜE 35X27mm 1.5 MT	35X27mm 1.5MT OUTLET PIPE
LAV900	DEPURADOR LAVATAZAS	WASHING CUP PURIFIER
V...0	REDUCTOR ELECTROV.CAUDAL 3	CAUD.3 SOLENOID REDUCER
V...2	REDUCTOR ELECTROV.CAUDAL1	CAUD.1 SOLENOID REDUCER
V...62	ABRAZADERA 12-20	12-20 CLAMP
V...68	ABRAZADERA 32-50	35-50 CLAMP
V..133	ELECTROVAL.2 VIA LAV.220V	WASH 2 WAYS 220V SOLENOID
V..200	TUBO DESAGÜE 17mm 1,8mt	17mm. 1.8mt OUTLET PIPE
V..201	TUBO DESAGÜE 28mm. 1,5mt.	28mm. 1.5mt OUTLET PIPE
V..205	DESAGÜE EXTENSIB.2mt.22x28mm	2mt EXTENSIBLE OUT PIPE
V..206	TUBO DESAGÜE CON CODO	WITH ELBOW OUTLET PIPE
V..415	TOMA LAVADORA 1,5M	QUALITY 1.5M.INLET W.FLEX
V..545	TUBO DESAGÜE 17mm. 3 m.	17mm 3mts.OUTLET PIPE
V..815	TOMA LAVADORA 2 METROS	2 MT.INLET WATER FLEXIBLE
V..825	TOMA LAVADORA 1.5 «ECO»	«ECO»1.5M INLET WA.FLEXIB
V..831	TUBO DES.17mm 1.8mt.CODO	17mm 1.8mt ELBOW OUTLET P
V..848	TOMA LAVADORA 1.5M INOX	INOX 1.5M INLET WATER FL.
V..849	TOMA LAV.INOX 2MT.3/4X3/4	INOX 2MT.INLET WATER FLE.
V..861	TUBO GOMA 12X22mm 20ATM	20ATM 12X22mm RUBBER PIPE
V..876	REDUCTOR ELECTROVAL.2,5LT	2,5LT.SOLENOID REDUCER
V..965	REDUCTOR CAUDAL 0.5 lt/m	0.45LT/M FLOW REDUCER
V.2057	REDUCTOR ELECTROV.CAUDAL.5	CAUD. 5 SOLENOID REDUCER
V.2058	REDUCTOR ELECTROV.CAUDAL.8	CAUD. 8 SOLENOID REDUCER

Varios GS-2, GS-3, GS4/2, GS4/2AF, GS6, GS6 AF, GS 8/2, GS9 ■ GS-2, GS-3, GS4/2, GS4/2AF, GS6, GS6 AF, GS 8/2, GS9 Varios

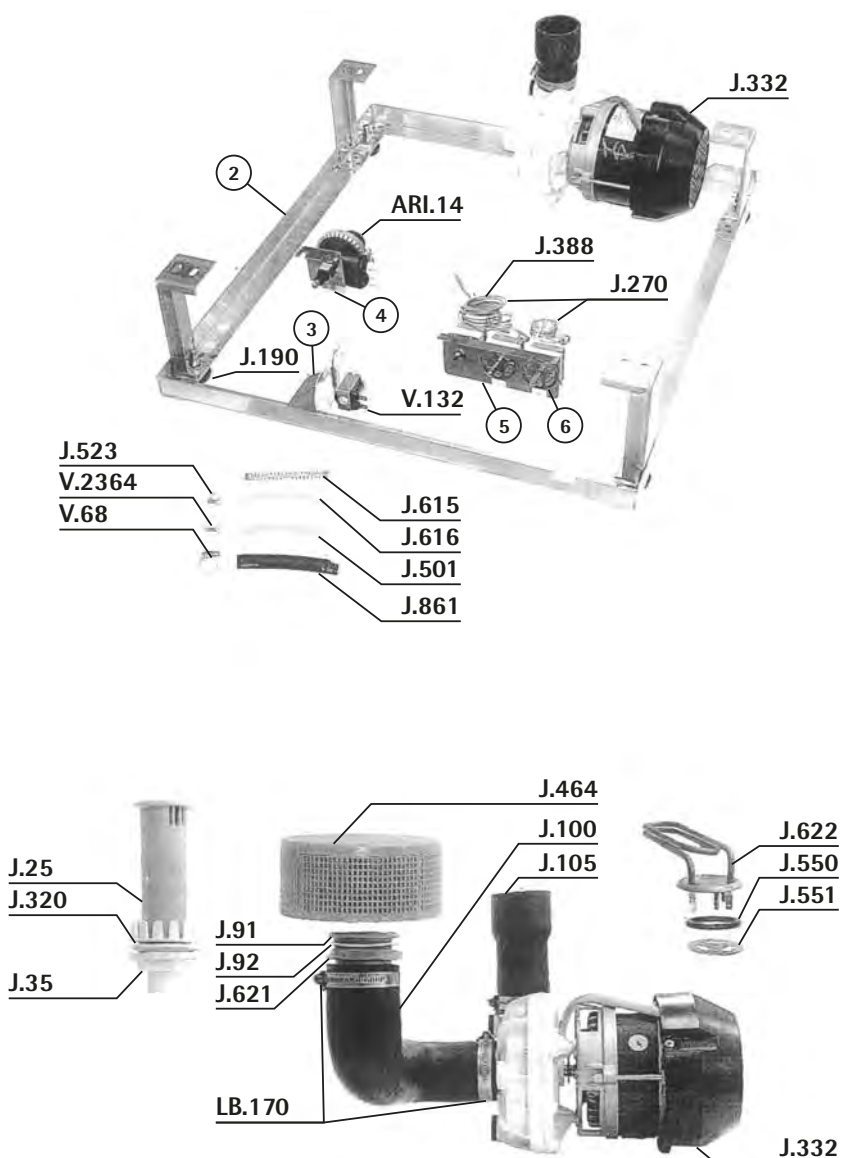


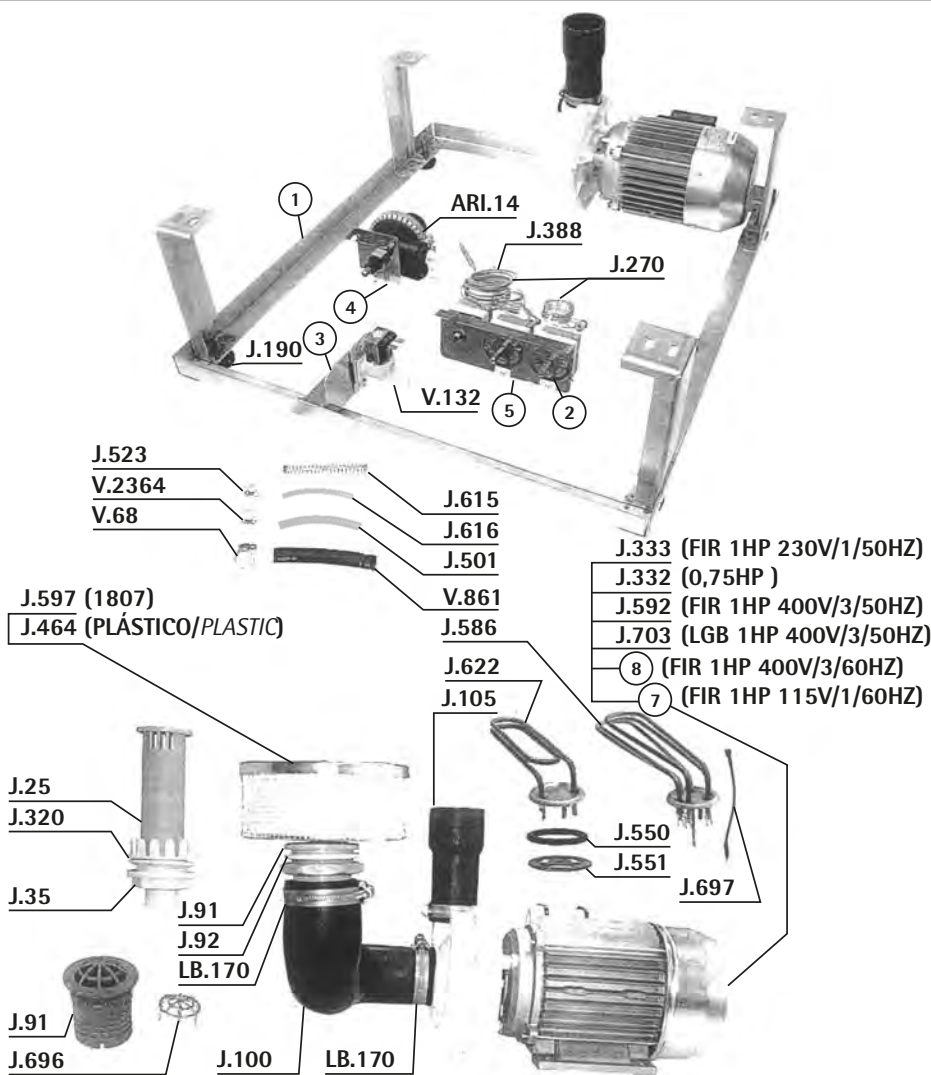
REF.	DESCRIPCIÓN	DESCRIPTION
J..562	FUSIBLE 6A	6A FUSE
J..563	PRESOSTATO SAL.HORIZ.35/15	35/15 VERT.PRESS.SWITCH
J..602	BORNE TOMA TIERRA	CONNECTOR
J..603	REGLETA 4 FASTOM	FOUR CONNECTIONS CONNECTOR
J..604	REGLETA PORTA FUSIBLE	FUSE CONNECTOR
J..679	CONDENSADOR ANTIPARASITO	CONDENSER
J..875	CONDENSADOR 12,5 NF 450 V AC 5	12,5 NF 450 V AC 50 HZ CONDENS

REF.	DESCRIPCIÓN	DESCRIPTION
J..476	PRENSAESTOPA	STUFFING BOX NUT
J..588	RETEN BOMBA GS/82	GS/82 PUMP MECHANICAL SEAL
J..610	TAPA SOPORTE TIRADOR	ROD SUPPORT LID
J..611	SOPORTE TIRADOR	ROD SUPPORT
J..711	DEPOSITO ABRILLANTADOR	RISNE AID DOSIMETER
J..712	CAJON	BOX
J..714	TIRANTE IZQUIERDO	LEFT DRAWER
J..715	TIRANTE DERECHO	RIGHT DRAWER
J..716	MUELLE	SPRING
J..717	TENSOR MUELLE	SPRING TIGHTENER
J..718	GUIA TIRANTE	DRAWER GUIDE
J..719	ESCUADRA	SQUARE
J..720	REMACHE MICRO	HEADLEM SCREW
J..723	BISAGRA PUESTA IZQUIERDA	LEFT DOOR HINGE
J..724	BISAGRA PUERTA DERECHA	RIGHT DOOR HINGE
J..725	MICRO PUERTA MAGNETICO	MAGNET
J..846	COMPLEMENTO SOPORTE TIRADOR	SUPPORT SUPLEMENT
J..851	TUERCA RAPIDA FRONTAL MANDOS	FRONT PANEL NUT
J..852	TUERCA RAPIDA TRASERA	REAR NUT
J..853	TORNILLO FRONTAL MANDOS	PANEL SCREW
J..854	TORNILLO INOX TAPA TRASERA	REAR COVER SCREW INOX
J..855	TUERCA FIJACION	FIXATION NUT
J..856	ARANDELA	WASHER
J..887	ENTRADA DETERGENTE	DETERGENT INLET
J..889	IMAN MICRO PORTE	DOOR MAGNETIC MICRO
J..890	TUERCA SUJECCION PUERTA	DOOR SCREW
J..891	TORNILLO SUJECCION PUERTA	DOOR SCREW
J..892	JUNTA TORICA 7x3x13	GASKET 7x3x13



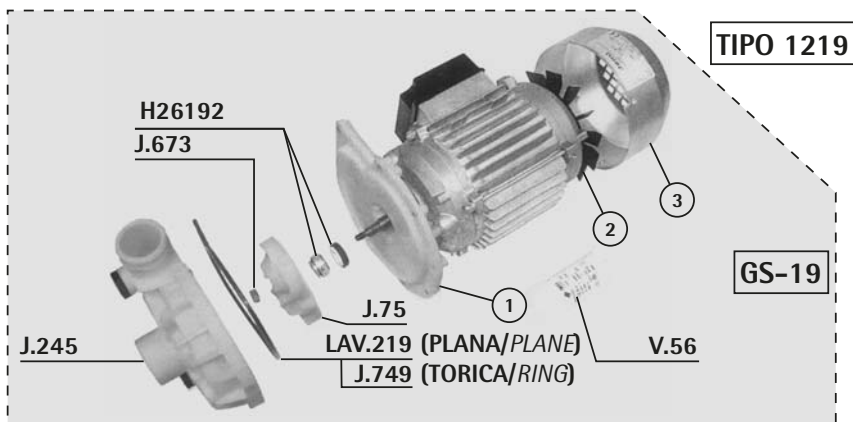
REF.	DESCRIPCIÓN	DESCRIPTION
ARI.14	DOSIFICADOR ABRILLANTADOR	RINSE AID DOSIMETER
J...25	SOBRENIV. GS3-4-4/2-8-8/2-9	GS 4-4/2-8-8/2-9 OVE.PIPE
J..35	RACOR DESAGÜE COMPL.PLASTICO	DRAIN FITTING
J...91	RACOR ADMISION BOMBA	ADMISSION PUMP FITTING
J..92	JUNTA GOMA	RUBBER GASKET
J..100	MANG.ASPI.GS4-4/2-8-8/2-9	GS4-4/2-8-8/2-9 SU.SLEEVE
J..105	MANGUITO ENVIO GS 8-8/2-9	GS 8-8/2-9 OUTLET SLEEVE
J..190	PATA MAQUINA	MACHINE FOOT
J..388	TERMOSTATO 90°	90° THERMOSTAT
J..320	JUNTA GOMA	RUBBER GASKET
J..332	MOTOR GS 8-8/2 0.75 CV	0.75CV GS 8-8/2 MOTOR
J..388	TERMOSTATO SEGURIDAD 140°	SAFETY THERMOSTAT
J..464	FILTRO BOMBA GS-8	GS-8 PUMP FILTER
J..501	TUBO MALLA 6X12	6X12 PIPE
J..523	ABRAZADERA 9,5-10	9,5-10 CLAMP
J..550	TORICA 44X6,5	44X6,5 RING
J..551	BRIDA RESISTENCIA CUBA	TANK RESISTANCE CLASP
J..615	MUELLE TUBO ABRILLANTADOR	DOSIMERTER SPRING
J..616	TUBO PVC TRANSPARENTE 6x9	6x9 TRANSPARENT PVC PIPE
J..621	TUERCA RACOR BOMBA	PUMP FITTING NUT
J..622	RESISTENCIA 2400W 230V	2400W RESISTANCE
LB.170	ABRAZADERA 40-60	40-60 CLAMP
V..68	ABRAZADERA 32-50	35-50 CLAMP
V..132	ELECTROVAL.1 VIA LAV.220V	WASH 1 WAY 220V SOLENOID
V..861	TUBO GOMA 12X22mm 20ATM	20ATM 12X22mm RUBBER PIPE
V.2364	ABRAZADERA RAPIDA 12-13	12-13 QUICK CLAMP



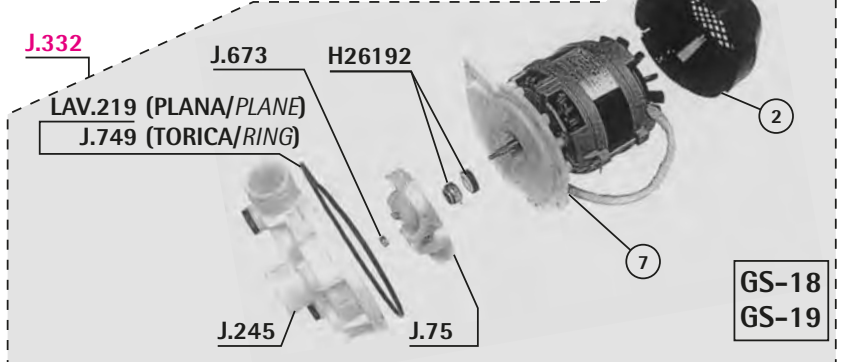
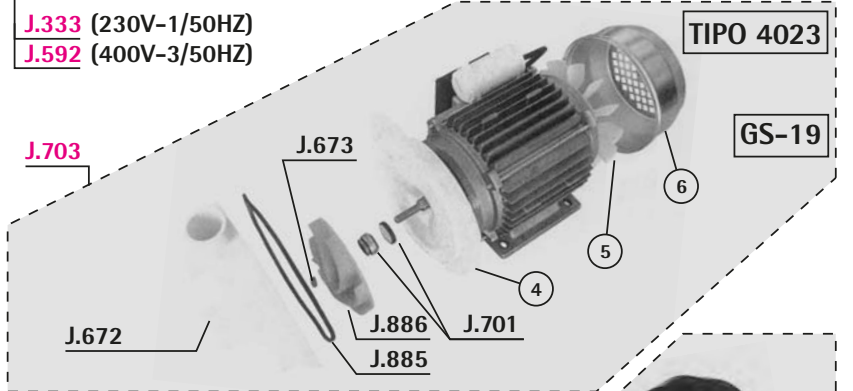


REF.	DESCRIPCIÓN	DESCRIPTION
ARI.14	DOSIFICADOR ABRILLANTADOR	RINSE AID DOSIMETER
J...25	SOBRENIV. GS3-4-4/2-8-8/2-9	GS 4-4/2-8-8/2-9 OVE.PIPE
J...35	RACOR DESAGÜE COMPL.PLASTICO	DRAIN FITTING
J...91	RACOR ADMISION BOMBA	ADMISSION PUMP FITTING
J...92	JUNTA GOMA	RUBBER GASKET
J..100	MANG.ASPI.GS4-4/2-8-8/2-9	GS4-4/2-8-8/2-9 SU.SLEEVE
J..105	MANGUITO ENVIO GS 8-8/2-9	GS 8-8/2-9 OUTLET SLEEVE
J..190	PATA MAQUINA	MACHINE FOOT
J..270	TERMOSTATO ROSCADO 90°	90° SCREW THERMOSTAT
J..320	JUNTA GOMA	RUBBER GASKET
J..332	MOTOR GS 8-8/2 0.75 CV	0.75CV GS 8-8/2 MOTOR
J..333	MOTOR GS-9 COMPLETO 1 C.V.	1 CV GS 9 MOTOR
J..388	TERMOSTATO SEGURIDAD 140°	SAFETY THERMOSTAT
J..464	FILTRO BOMBA GS-8	GS-8 PUMP FILTER
J..501	TUBO MALLA 6X12	6X12 PIPE
J..523	ABRAZADERA 9,5-10	9,5-10 CLAMP
J..550	TORICA 44X6,5	44X6,5 RING
J..551	BRIDA RESISTENCIA CUBA	TANK RESISTANCE CLASP
J..586	RESISTENCIA CUBA 4500W 380V	GS9 380V TANK RESISTANCE
J..592	MOTOR GS-9 TRIFISICO	GS-9 THREE-PHASE MOTOR
J..597	FILTRO INOX BOMBA	PUMP INOX FILTER
J..615	MUELLE TUBO ABRILLANTADOR	DOSIMETER SPRING
J..616	TUBO PVC TRANSPARENTE 6x9	6x9 TRANSPARENT PVC PIPE
J..622	RESISTENCIA 2400W 230V	2400W RESISTANCE
J..696	FILTRO METALICO	METALIC FILTER
J..697	PUENTE RESISTENCIA	RESISTANCE CORRECTOR
J..703	BOMBA 1HP 400V 3/50H2 TIPO 403	PUMP 1HP 400V 3/50H2 TYPE 403
LB.170	ABRAZADERA 40-60	40-60 CLAMP
V...68	ABRAZADERA 32-50	35-50 CLAMP
V.132	ELECTROVAL.1 VIA LAV.220V	WASH 1 WAY 220V SOLENOID
V.861	TUBO GOMA 12X22mm 20ATM	20ATM 12X22mm RUBBER PIPE
V.2364	ABRAZADERA RAPIDA 12-13	12-13 QUICK CLAMP

Motores GS-18 / GS-19 ■ GS-18 / GS-19 Motors

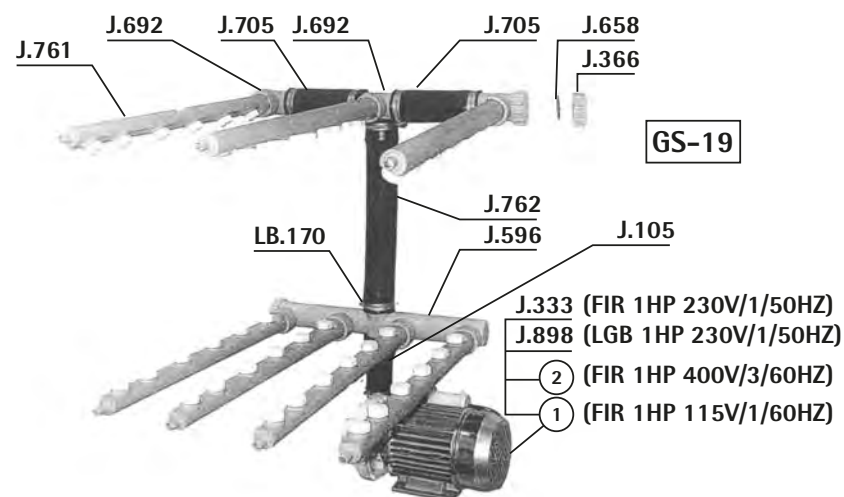
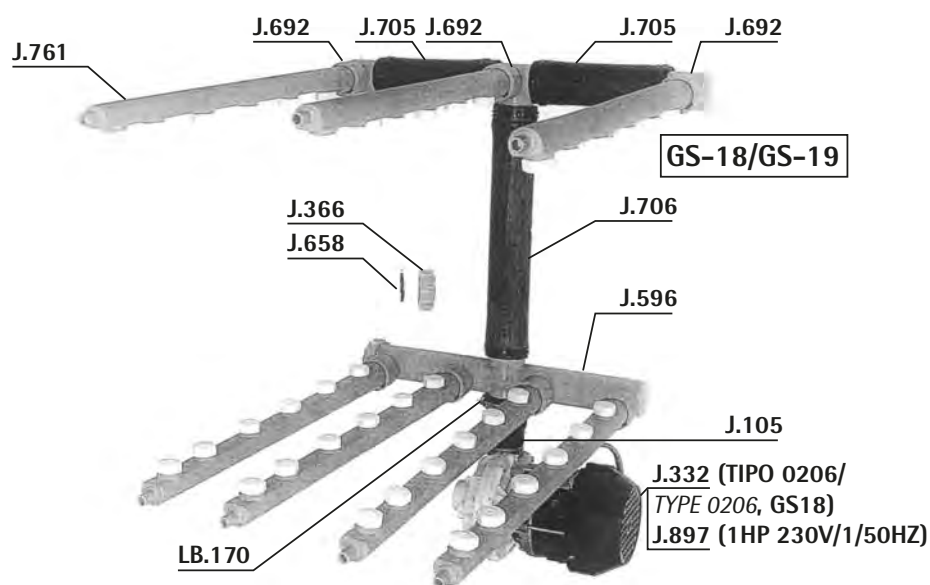


J.333 (230V-1/50HZ)
J.592 (400V-3/50HZ)

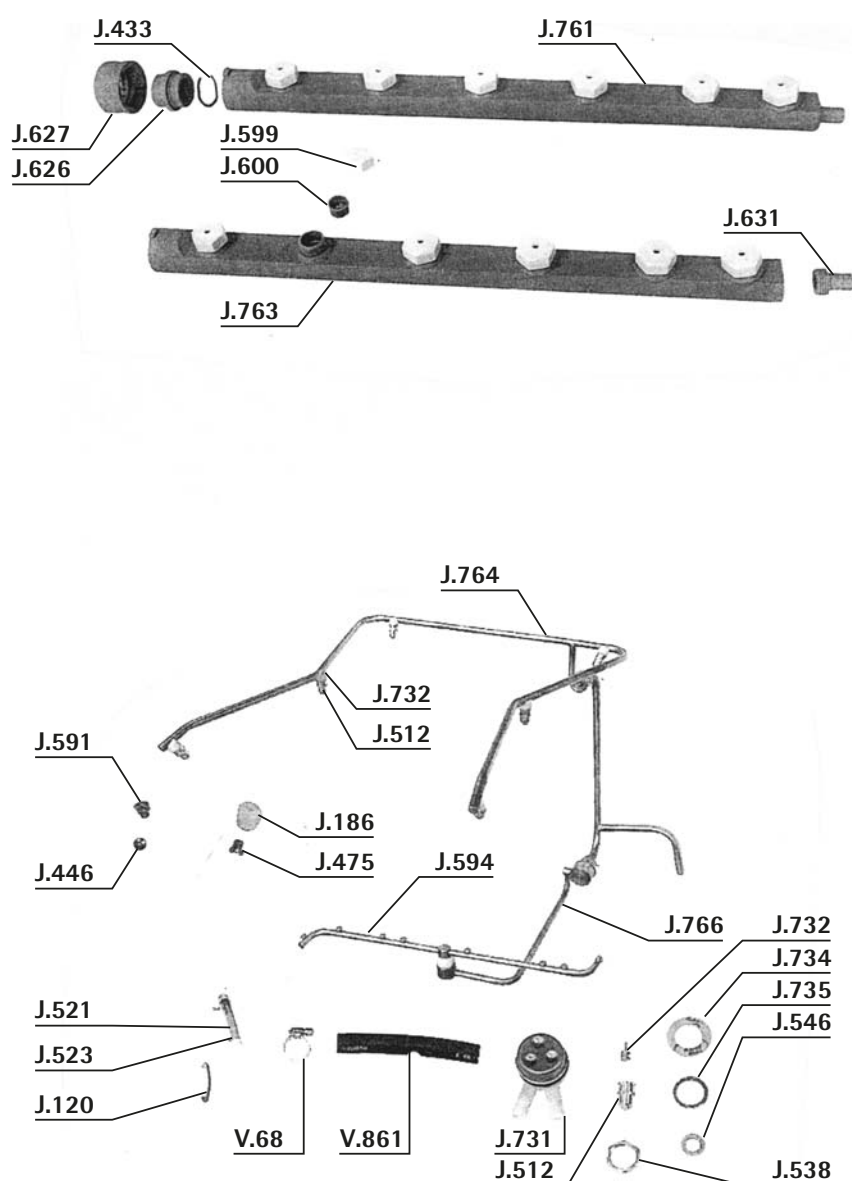


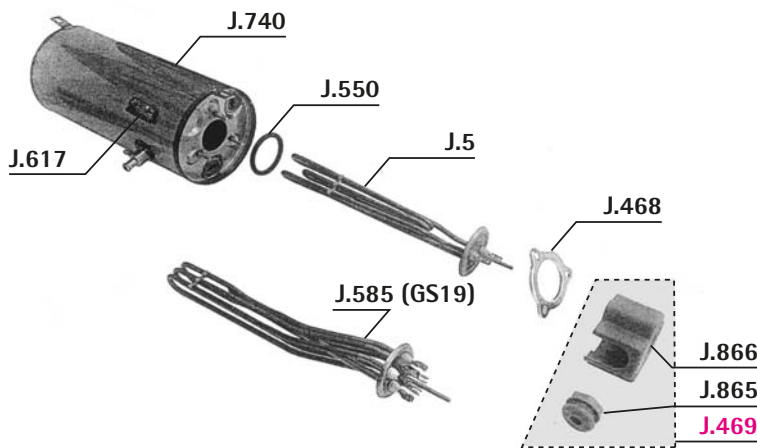
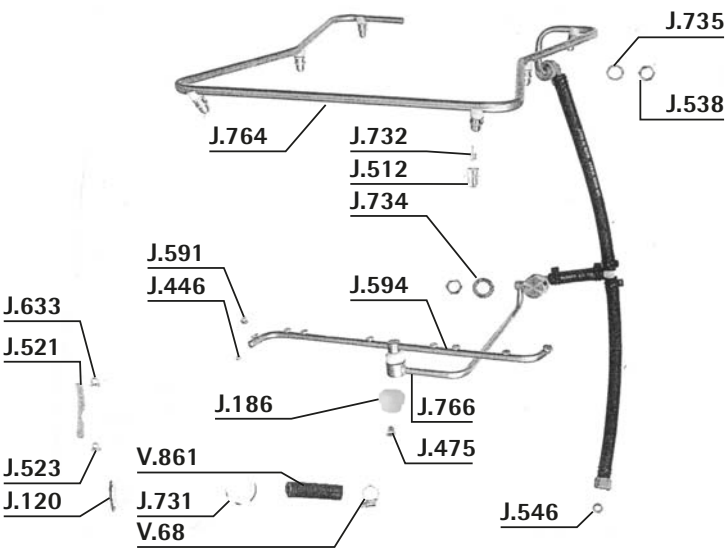
REF.	DESCRIPCIÓN	DESCRIPTION
H26192	RETen EJE BOMBA	MECHANICAL SEAL
J...75	TURBINA MOTOR GS-8/2 GS-9	GS-8/2 GS-9 PUMP TURBINE
J..245	TAPA MOTOR GS4/2-8/2-9	GS 4/2-8/2-9 MOTOR LID
J..332	MOTOR GS 8-8/2 0.75 CV	0.75CV GS 8-8/2 MOTOR
J..333	MOTOR GS-9 COMPLETO 1 C.V.	1 CV GS 9 MOTOR
J..592	MOTOR GS-9 TRIFISICO	GS-9 THREE-PHASE MOTOR
J..672	TAPA BOMBA	PUMP LID
J..673	TUERCA EJE	ROD NUT
J..701	RETen	MECHANICAL SEAL
J..703	BOMBA 1HP 400V 3/50H2 TIPO 403	PUMP 1HP 400V 3/50H2 TYPE 403
J..749	JUNTA TAPA	LID GASKET
J..885	JUNTA TAPA MOTOR	MOTOR COVER GASKET
J..886	TURBINA BOMBA TIPO 4023	PUMP TURBINE TYPE 4023
LAV219	JUNTA TAPA MOTOR GOMA	MOTOR LID RUBBER GASKET
V...56	CONDENSADOR 12,5 MF 220V	12,5MF 220V CONDENSER

REF.	DESCRIPCIÓN	DESCRIPTION
J..105	MANGUITO ENVIO GS 8-8/2-9	GS 8-8/2-9 OUTLET SLEEVE
J..332	MOTOR GS 8-8/2 0.75 CV	0.75CV GS 8-8/2 MOTOR
J..333	MOTOR GS-9 COMPLETO 1 C.V.	1 CV GS 9 MOTOR
J..366	TAPON DIST.LAVADO GS-4/2	GS-4/2 WASHING DISTR.CAP
J..596	DISTRIB. LAV. INF.GS4/2 AF 9-8	GS4/2 AF 9-8 DISTRIBUTOR
J..658	TORICA	RING
J..692	DISTRIBUIDOR LAVADO SUP.(CJTO)	SUPPER WASH DISTRIBUTION
J..705	TUBO GOMA	RUBBER PIPE
J..706	TUBO GOMA	RUBBER PIPE
J..761	BRAZO LAVADO CPTO	COMPLET WASH ARM
J..897	MOTOR 1 HP 230V/1/50HZ	MOTOR 1 HP 230V/1/50HZ
J..898	MOTOR LGB 1 HP 230V/1/50HZ	MOTOR LGB 1 HP/1/50HZ
LB.170	ABRAZADERA 40-60	40-60 CLAMP



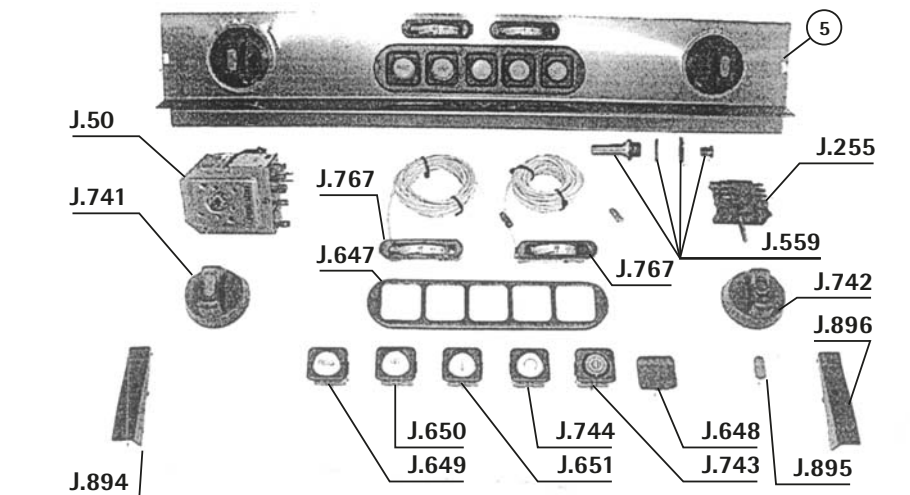
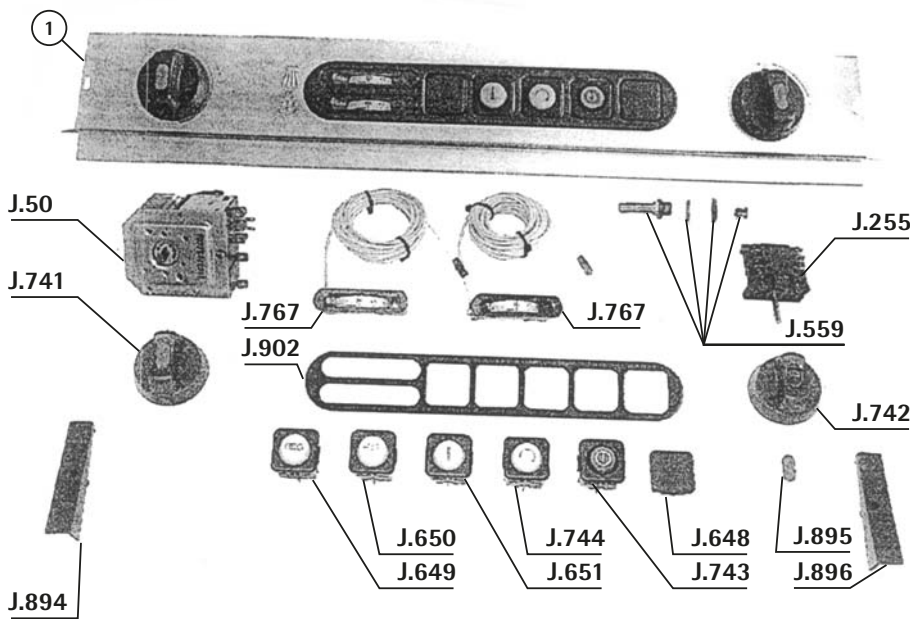
REF.	DESCRIPCIÓN	DESCRIPTION
J..120	TOMA PRESOSTATO	PRESSURE SWITCH INTAKE
J..186	EJE BRAZO GIRATORIO.GS9	GS9 REVOLVING ARM ROD
J..433	TORICA GOMA	RING
J..446	TORNILLO GIRAT.ACLAR. INOX	REVOLVING ARM SPRAY
J..475	TORNILLO ALLEN	ALLEN SCREW
J..512	ROCIADOR ACLARADO	RINSE SPRAY
J..521	TUBO P.V.C. 5X9 AZUL	BLUE 5X9 P.V.C. PIPE
J..523	ABRAZADERA 9,5-10	9,5-10 CLAMP
J..538	TUERCA 1/2» INOX	INOX 1/2» NUT
J..546	JUNTA ALIMENTARIA 10x18x2	10x18x2 ALIMENTARY GASKET
J..591	SURT.ACLARADO GS 4-4/2 INOX	INOX RINSE SPRAY
J..594	GIRATORIO ACLARADO GS 9 MODERNO	MODERN GS-9 RINSE GYRATORY
J..599	TAPON LAVADO MODERNO	GS-82 MODERN WASH CAP
J..600	ESTRANG. LAVADO GS-82 MODERNO	GS-82 MODERN WASHING SWIRL
J..626	TAPON OBTURACION	CAP
J..627	ANILLO CIERRE	CLOSE RING
J..631	TERMINAL BRAZO ACABADO	WASH ARM TERMINAL
J..731	VALVULA ANTIREFLUJO	VALVE
J..732	HELICE ACLARADA	RINSE PROPELLER
J..734	JUNTA	GASKET
J..735	JUNTA	GASKET
J..761	BRAZO LAVADO CPTO	COMPLET WASH ARM
J..763	BRAZO LAVADO SOLO	WASH ARM
J..764	DISTRIBUIDOR ACLARADO SUPERIOR	UPPER WASH DISTRIBUTOR
J..766	SOPORTE BRAZO GIRATORIO	GIRATORY ARM SUPPORT
V..68	ABRAZADERA 32-50	35-50 CLAMP
V..861	TUBO GOMA 12X22mm 20ATM	20ATM 12X22mm RUBBER PIPE





REF.	DESCRIPCIÓN	DESCRIPTION
J...5	RESIST.CALDERIN 2600W VAINA	2800W 230V BOILER RESISTANCE
J..120	TOMA PRESOSTATO	PRESSURE SWITCH INTAKE
J..186	EJE BRAZO GIRATOR.GS9	GS9 REVOLVING ARM ROD
J..446	TORNILLO GIRAT.ACLAR. INOX	REVOLVING ARM SPRAY
J..468	PLETINA RESISTENCIA	RESISTANCE IRON PLATE
J..469	PROTECTOR RESISTENCIA	RESISTANCE PROTECTOR
J..475	TORNILLO ALLEN	ALLEN SCREW
J..512	ROCIADOR ACLARADO	RINSE SPRAY
J..521	TUBO P.V.C. 5X9 AZUL	BLUE 5X9 P.V.C. PIPE
J..523	ABRAZADERA 9,5-10	9,5-10 CLAMP
J..538	TUERCA 1/2» INOX	INOX 1/2» NUT
J..546	JUNTA ALIMENTARIA 10x18x2	10x18x2 ALIMENTARY GASKET
J..550	TORICA 44X6,5	44X6,5 RING
J..585	RESISTENCIA CALD.GS9 400V 4500	GS9 400V BOILER RESISTAN.
J..591	SURT.ACLARADO GS 4-4/2 INOX	INOX RINSE SPRAY
J..594	GIRATORIO ACLARADO GS 9 MODERNO	MODERN GS-9 RINSE GYRATORY
J..617	SUJECION TERMOSTATO	THERMOSTAT FIXATION
J..633	BRIDA 9mm	9mm CLAMP
J..731	VALVULA ANTIREFLUJO	VALVE
J..732	HELICE ACLARADA	RINSE PROPELLER
J..734	JUNTA	GASKET
J..735	JUNTA	GASKET
J..740	CALDERIN GS-18	BOILER
J..764	DISTRIBUIDOR ACLARADO SUPERIOR	UPPER WASH DISTRIBUTOR
J..766	SOPORTE BRAZO GIRATORIO	GIRATORY ARM SUPPORT
J..865	PASACABLES 12 MM	WIRINGPIN
J..866	TAPA PROTECCION RESISTENCIA	RESISTANCE PROTECTION COVER
V..68	ABRAZADERA 32-50	35-50 CLAMP
V..61	TUBO GOMA 12X22mm 20ATM	20ATM 12X22mm RUBBER PIPE

Mandos GS-18 / GS-19 ■ GS-18 / GS-19 Handles



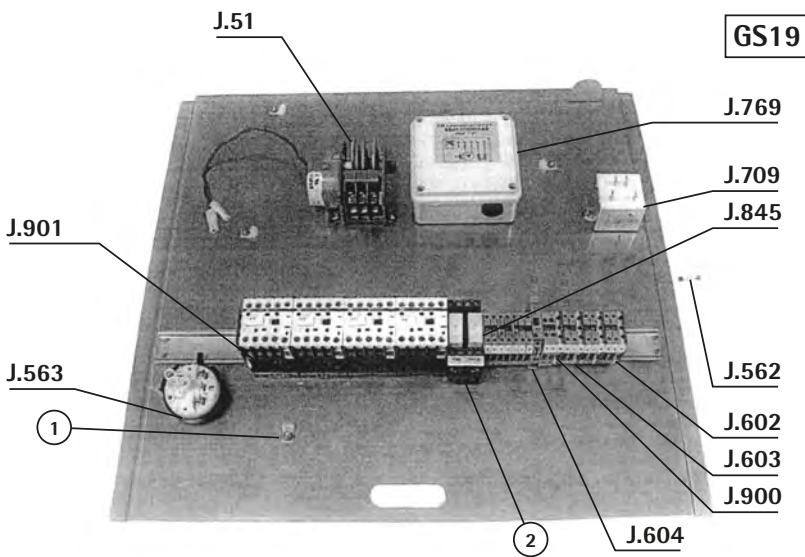
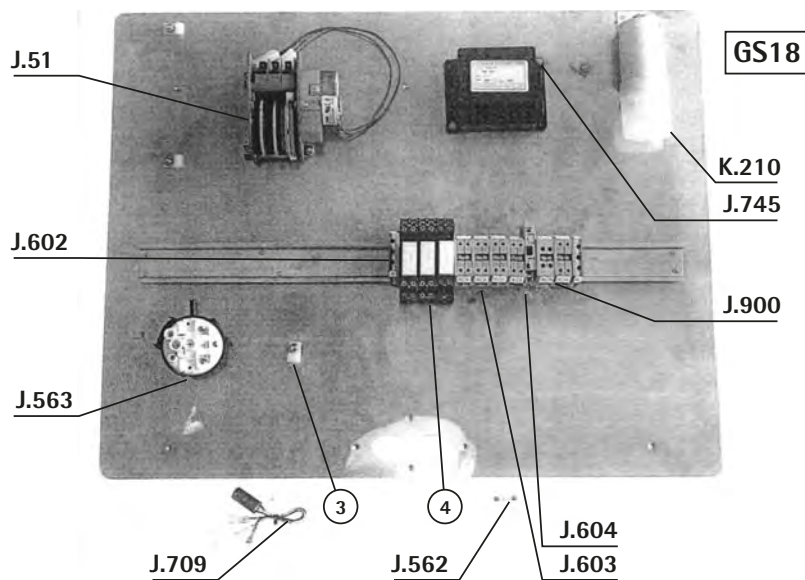
REF.	DESCRIPCIÓN	DESCRIPTION
J...50	PROGRAMADOR TODOS MODELOS	ALLS MODELS TIMER
J..255	INTERRUP.GENERAL MODERNO	MODERN GENERAL SWITCH
J..559	RACOR TERMOMETRO CPTO.	COMPLET THERM. FITTING
J..647	MARCO	FRAME
J..648	TAPA PILOTO	LAMP CAP
J..649	PULSADOR REGENERACION	PUSH BUTTON
J..650	PULSADOR BOMBA DESAGÜE	OUTLET PUMP PUSH BUTTON
J..651	PILOTO TEMPERATURA	TEMPERATURE LAMP
J..741	MANDO PROGRAMADOR	TIMER HANDLE
J..742	MANDO INTERRUPTOR	SWITCH HANDLE
J..743	PILOTO PUESTA EN MARCHA	START LAMP
J..744	PILOTO CICLO LAVADO	WASH LAMP
J..767	TERMOSTATO CALDERIN	BIOLER THERMOSTAT
J..894	TAPA LATERAL MANDOS IZQUIERDA	LEFT HANDLES COVER
J..895	EMBELLECEDOR MANDO	KNOB COVER
J..896	TAPA LATERAL MANDOS DERECHA	RIGHT PANEL COVER
J..902	CARATULA MANDOS°	HANDLER MEMBRANE

Los artículos con círculo son bajo pedido. CONSÚLTENOS.

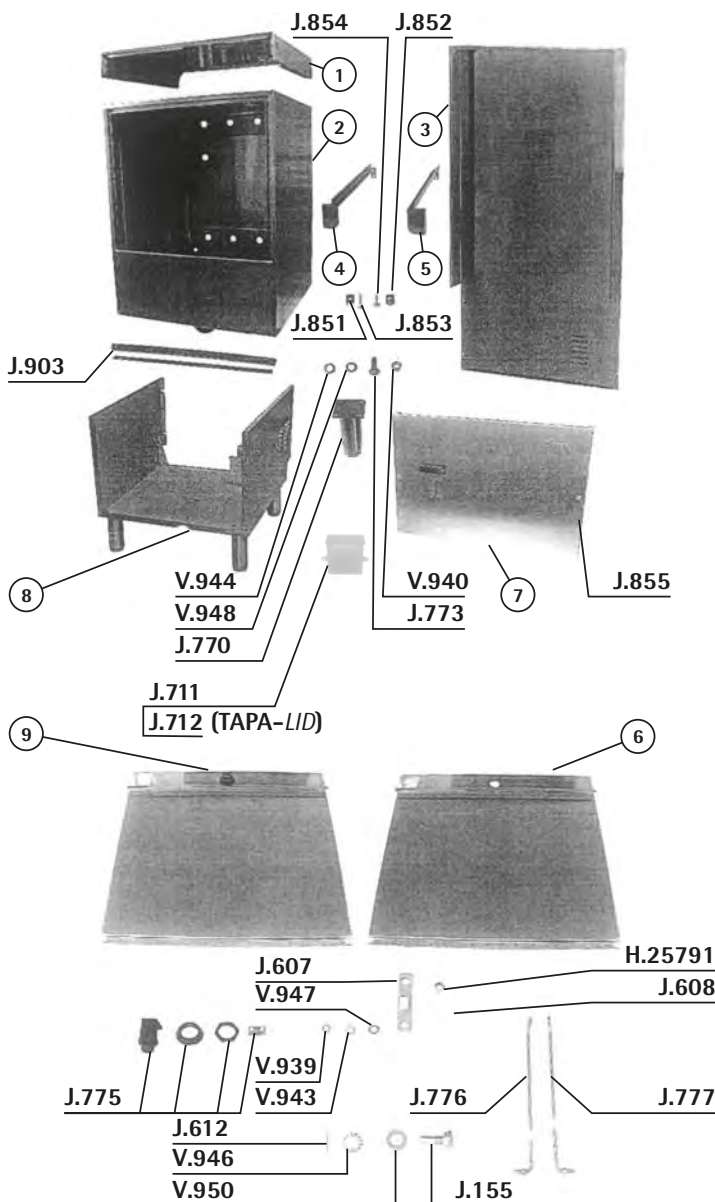
① ② ③ ...

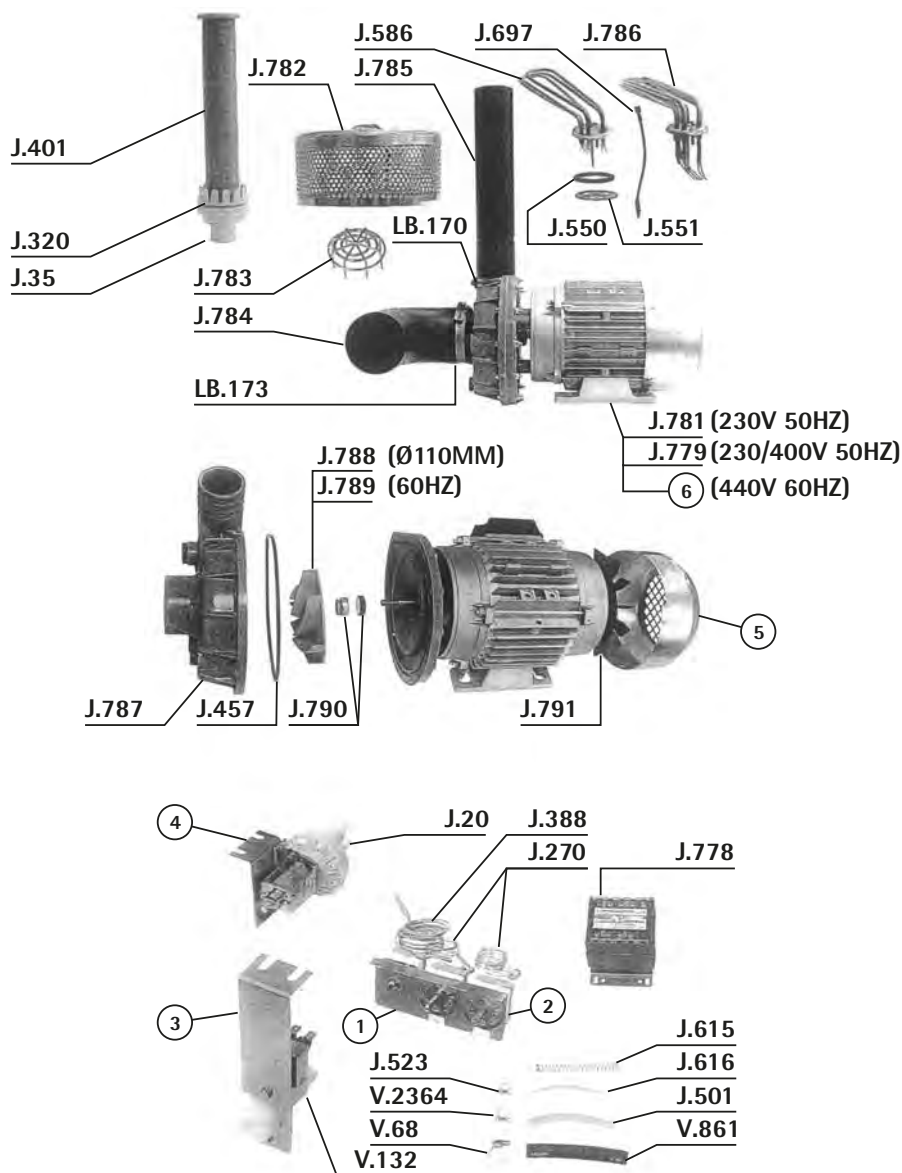


REF.	DESCRIPCIÓN	DESCRIPTION
J...51	PRO.REGENERACION 3MIC.80S	3TOOT.20m REGENERAT.TIMER
J..562	FUSIBLE 6A	6A FUSE
J..563	PRESOSTATO SAL.HORIZ.35/15	35/15 VERT.PRESS.SWITCH
J..602	BORNE TOMA TIERRA	CONNECTOR
J..603	REGLETA 4 FASTOM	FOUR CONNECTIONS CONNECTOR
J..604	REGLETA PORTA FUSIBLE	FUSE CONNECTOR
J..709	ANTIPARASITO	CONDENSER
J..745	ARRANQUE LENTO	START
J..769	ARRANQUE LENTO TRIFASICO	THREE PHASE START
J..845	RELE 10A	10A RELAY
J..900	BORNE AZUL	BLUE CONTACTOR
J..901	BORNE 20 A 220/230V 50/60HZ	CONTACTOR 20 A 220/230V 50/60H
K..210	CONDENSADOR 16 MF. 220V	16 MF. 220V CONDENSER

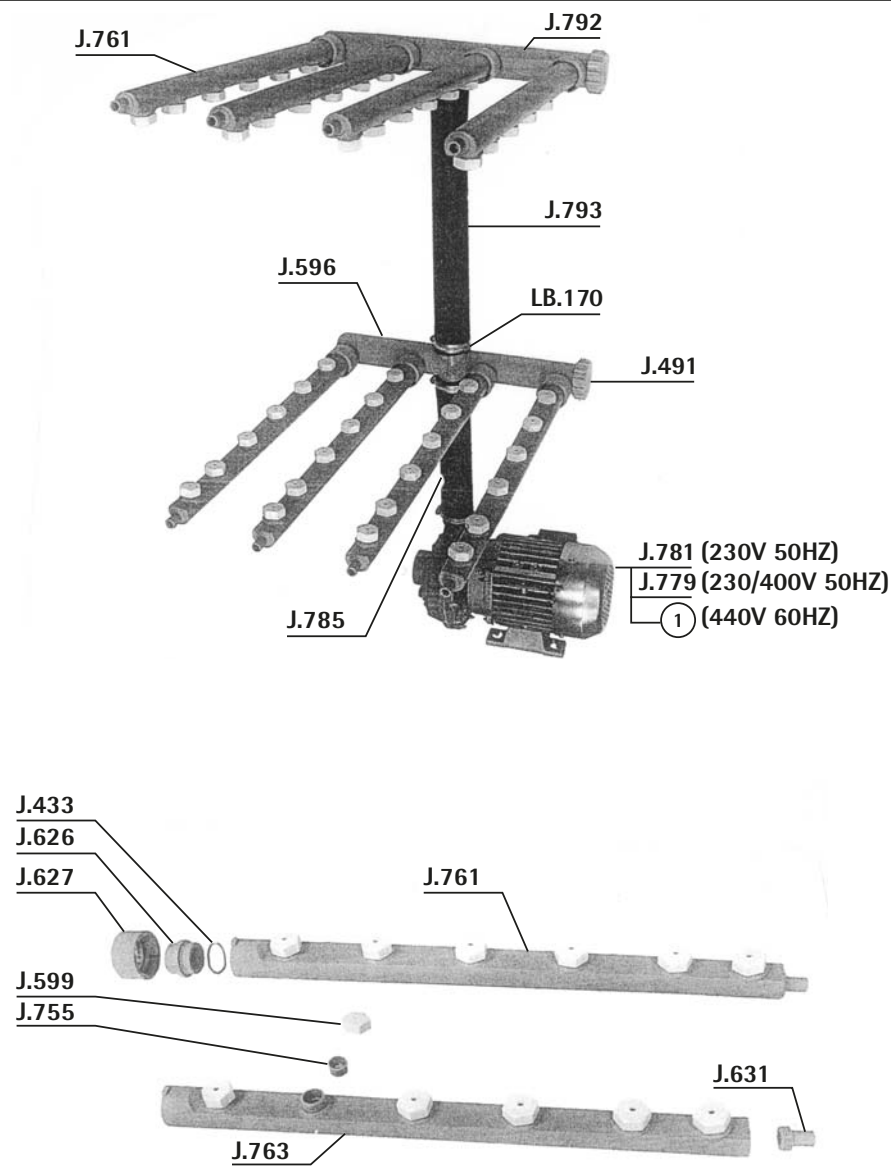


REF.	DESCRIPCIÓN	DESCRIPTION
H25791	TUERCA AUTOBLOCANTE	AUTOBLOC NUT
J..155	TORNILLO EJE PUERTA	DOOR ROD
J..607	GUIA VARILLA	ROD GUIDE
J..608	TOPE PUERTA	DOOR STOP
J..612	PASADOR	PIN
J..711	DEPOSITO ABRILLANTADOR	RISNE AID DOSIMETER
J..712	CAJON	BOX
J..770	PIE REGULABLE	ADJUSTABLE FOOT
J..773	TORNILLO	SCREW
J..775	CIERRE PULSADOR GS-30	GS.30 PUSH BUTTON CLOSE
J..776	VARILLA PUERTA DERECHA	RIGHT DOOR ROD
J..777	EJE PUERTA IZQUIERDO	LEFT DOOR ROD
J..851	TUERCA RAPIDA FRONTAL MANDOS	REAR NUT
J..852	TUERCA RAPIDA TRASERA	FRONT PANEL NUT
J..853	TORNILLO FRONTAL MANDOS	PANEL SCREW
J..854	TORNILLO INOX TAPA TRASERA	REAR COVER SCREW INOX
J..855	TUERCA FIJACION	FIXATION NUT
J..903	CANAL DESAGÜE Y CARATULA GS-30	DRAIN WATERWAY & MEMBRANE
V..939	TUERCA INOX M4	M4 INOX NUT
V..940	TUERCA INOX M5	M5 INOX NUT
V..943	ARANDELA DENTADA INOX M4	M4 INOX GROVER WASHER
V..944	ARANDELA DENTADA INOX M5	M5 INOX GROVER WASHER
V..946	ARANDELA DENTADA INOX M8	M8 INOX GROVER WASHER
V..947	ARANDELA INOX M4	M4 INOX WASHER
V..948	ARANDELA INOX M5	M5 INOX WASHER
V..950	ARANDELA INOX M8	M8 INOX WASHER



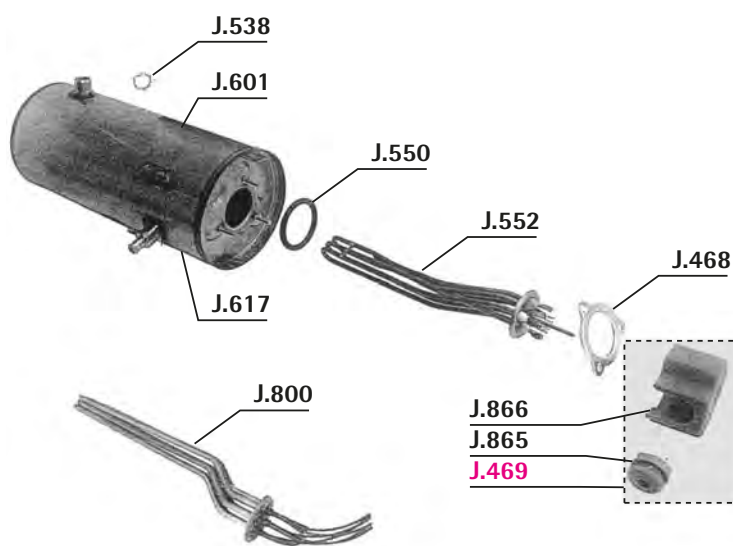
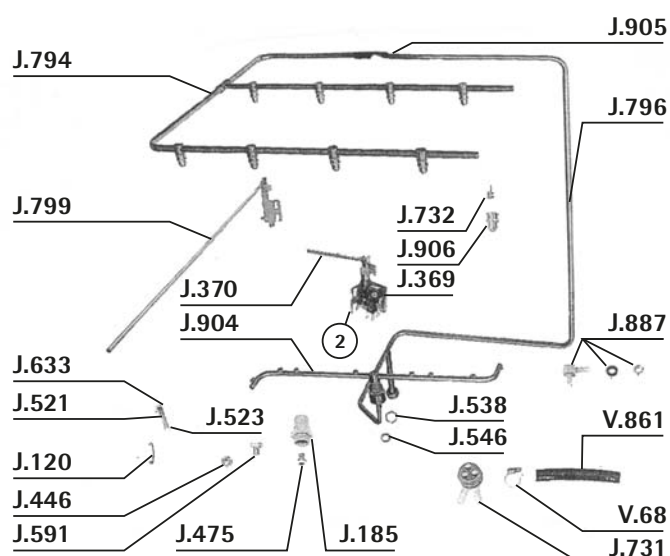


REF.	DESCRIPCIÓN	DESCRIPTION
J...20	DOSIFICADOR ABRILLANTADOR	RINSE AID DOSIMETER
J..35	RACOR DESAGÜE COMPL.PLASTICO	DRAIN FITTING
J..270	TERMOSTATO ROSCADO 90°	90° SCREW THERMOSTAT
J..320	JUNTA GOMA	RUBBER GASKET
J..388	TERMOSTATO SEGURIDAD 140°	SAFETY THERMOSTAT
J..401	SOBRENIVEL	OVERFLOW
J..457	TORICA MOTOR BOMBA GOMA	MOTOR RUBBER RING
J..501	TUBO MALLA 6X12	6X12 PIPE
J..523	ABRAZADERA 9,5-10	9,5-10 CLAMP
J..550	TORICA 44X6,5	44X6,5 RING
J..551	BRIDA RESISTENCIA CUBA	TANK RESISTANCE CLASP
J..586	RESISTENCIA CUBA 4500W 380V	GS9 380V TANK RESISTANCE
J..615	MUELLE TUBO ABRILLANTADOR	DOSIMETER SPRING
J..616	TUBO PVC TRANSPARENTE 6x9	6x9 TRANSPARENT PVC PIPE
J..697	PUENTE RESISTENCIA	RESISTANCE CORRECTOR
J..778	TRANSFORMADOR	TRANSFORMER
J..779	MOTOR 230/400V 50H2	230/400V 50H2 MOTOR
J..781	MOTOR 230V 50H2	230V 50H2 MOTOR
J..782	FILTRO BOMBA	PUMP FILTER
J..783	FILTRO BOMBA	PUMP FILTER
J..784	CODO MOTOR	MOTOR ELBOW
J..785	MANGUITO MOTOR	MOTO SLEEVE
J..786	RESISTENCIA 440V/4500W	440V/4500W RESISTANCE
J..787	TAPA MOTOR	MOTOR LID
J..788	TURBINA CON ROSCA 110mm	DIM110mm WITH SCREW TURBINE
J..789	TURBINA	TURBINE
J..790	RETEN BOMBA	PUMP MECHANICAL REAL
J..791	VENTILADOR	FUM
LB.170	ABRAZADERA 40-60	40-60 CLAMP
LB.173	ABRAZADERA 60-80	60-80 CLAMP
V...68	ABRAZADERA 32-50	35-50 CLAMP
V..132	ELECTROVAL.1 VIA LAV.220V	WASH 1 WAY 220V SOLENOID
V..861	TUBO GOMA 12X22mm 20ATM	20ATM 12X22mm RUBBER PIPE
V.2364	ABRAZADERA RAPIDA 12-13	12-13 QUICK CLAMP

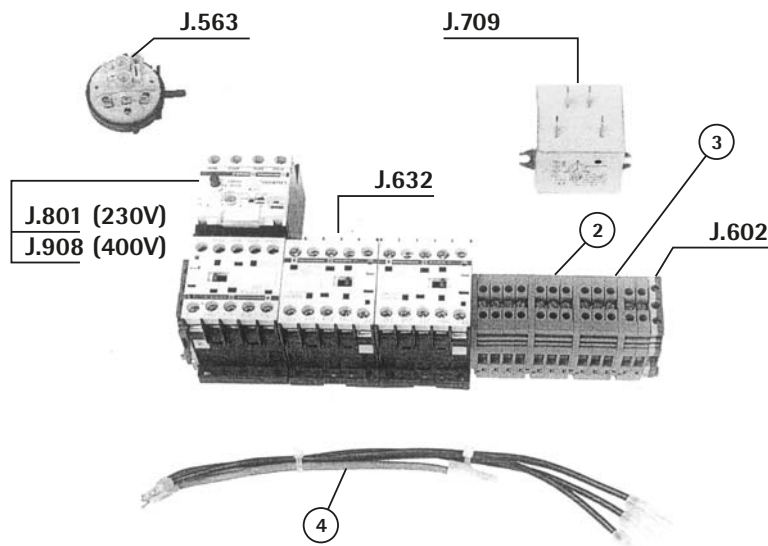
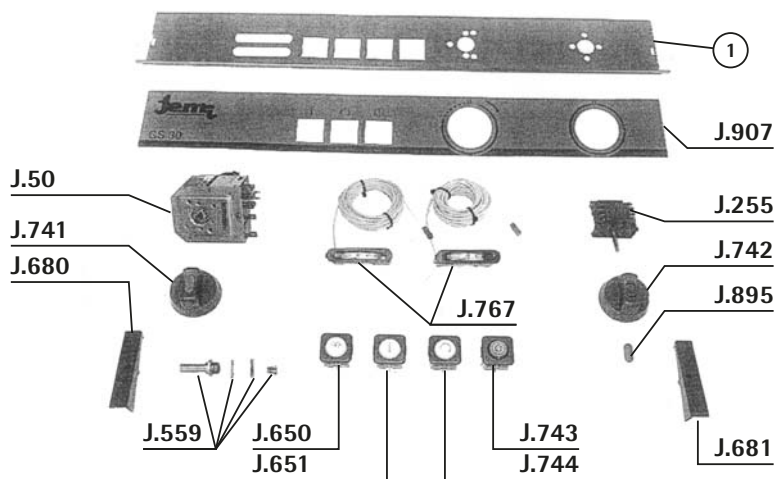


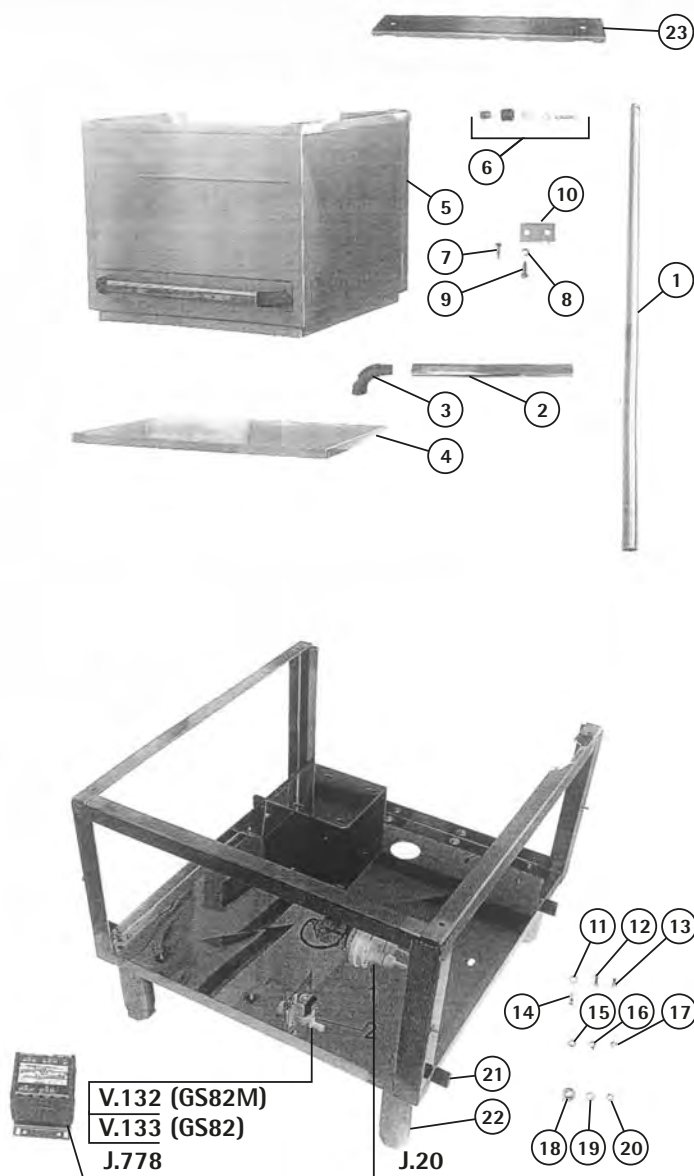
REF.	DESCRIPCIÓN	DESCRIPTION
J..433	TORICA GOMA	RING
J..491	TAPON LAVADO GS.82-100	GS.82-100 WASH CAP
J..596	DISTRIB. LAV. INF.GS4/2 AF 9-8	GS4/2 AF 9-8 DISTRIBUTOR
J..599	TAPON LAVADO MODERNO	GS-82 MODERN WASH CAP
J..626	TAPON OBTURACION	CAP
J..627	ANILLO CIERRE	CLOSE RING
J..631	TERMINAL BRAZO ACABADO	WASH ARM TERMINAL
J..755	HELICE 2 SALIDAS	2 OUTLET PROPELLER
J..761	BRAZO LAVADO CPTO	COMPLET WASH ARM
J..763	BRAZO LAVADO SOLO	WASH ARM
J..779	MOTOR 230/400V 50H2	230/400V 50H2 MOTOR
J..781	MOTOR 230V 50H2	230V 50H2 MOTOR
J..785	MANGUITO MOTOR	MOTO SLEEVE
J..792	DISTRIBUIDOR LAVADO SUPERIOR	SUPPER WASH DISTRIBUTOR
J..793	TUBO GOMA	RUBBER PIPE
LB.170	ABRAZADERA 40-60	40-60 CLAMP

REF.	DESCRIPCIÓN	DESCRIPTION
J..120	TOMA PRESOSTATO	PRESSURE SWITCH INTAKE
J..185	EJE BRAZO GIRAT. GS 4-4/2	GS4-4/2 REVOLVING ARM ROD
J..369	MICRO PUERTA 250V 16A	250V 16A DOOR MICROSWITCH
J..370	MUELLE MICRO PUERTA	MICROSWITCH SPRING
J..446	TORNILLO GIRAT.ACLAR. INOX	REVOLTING ARM SPRAY
J..468	PLETINA RESISTENCIA	RESISTANCE IRON PLATE
J..469	PROTECTOR RESISTENCIA	RESISTANCE PROTECTOR
J..475	TORNILLO ALLEN	ALLEN SCREW
J..521	TUBO P.V.C. 5X9 AZUL	BLUE 5X9 P.V.C. PIPE
J..523	ABRAZADERA 9,5-10	9,5-10 CLAMP
J..538	TUERCA 1/2» INOX	INOX 1/2» NUT
J..546	JUNTA ALIMENTARIA 10x18x2	10x18x2 ALIMENTARY GASKET
J..550	TORICA 44X6,5	44X6,5 RING
J..552	RESISTENCIA CALDERIN 6000W 230	BOILER RESISTANCE 6000W
J..591	SURT.ACLARADO GS 4-4/2 INOX	INOX RINSE SPRAY
J..601	CALDERIN GS-4/2;8 Y 9	GS-9 BOILER
J..617	SUJECION TERMOSTATO	THERMOSTAT FIXATION
J..633	BRIDA 9mm	9mm CLAMP
J..731	VALVULA ANTIREFLUJO	VALVE
J..732	HELICE ACLARADA	RINSE PROPELLER
J..794	DISTRIBUIDOR ACLARADO	RINSE DISTRIBUTOR
J..796	SOPORTE BRAZO GIRATORIO	GIRATORY ARM SUPPORT
J..799	VARILLA MICRO	MICRO ROD
J..800	RESISTENCIA TRIFASICA 6000W 44	6000W THREE PHASE RESISTANCE
J..865	PASACABLES 12 MM	WIRINGPIN
J..866	TAPA PROTECCION RESISTENCIA	RESISTANCE PROTECTION COVER
J..887	ENTRADA DETERGENTE	DETERGENT INLET
J..904	GIRATORIO GS-30/82	ROTATORY GS-30/82
J..905	TUBO ACLARADO PVC 9x12x80 MM	PVC RINSE PIPE 9x12x80 MM
J..906	ROCIADOR ACLARADO	RINSE SPRAY
V..68	ABRAZADERA 32-50	35-50 CLAMP
V..861	TUBO GOMA 12X22mm 20ATM	20ATM 12X22mm RUBBER PIPE



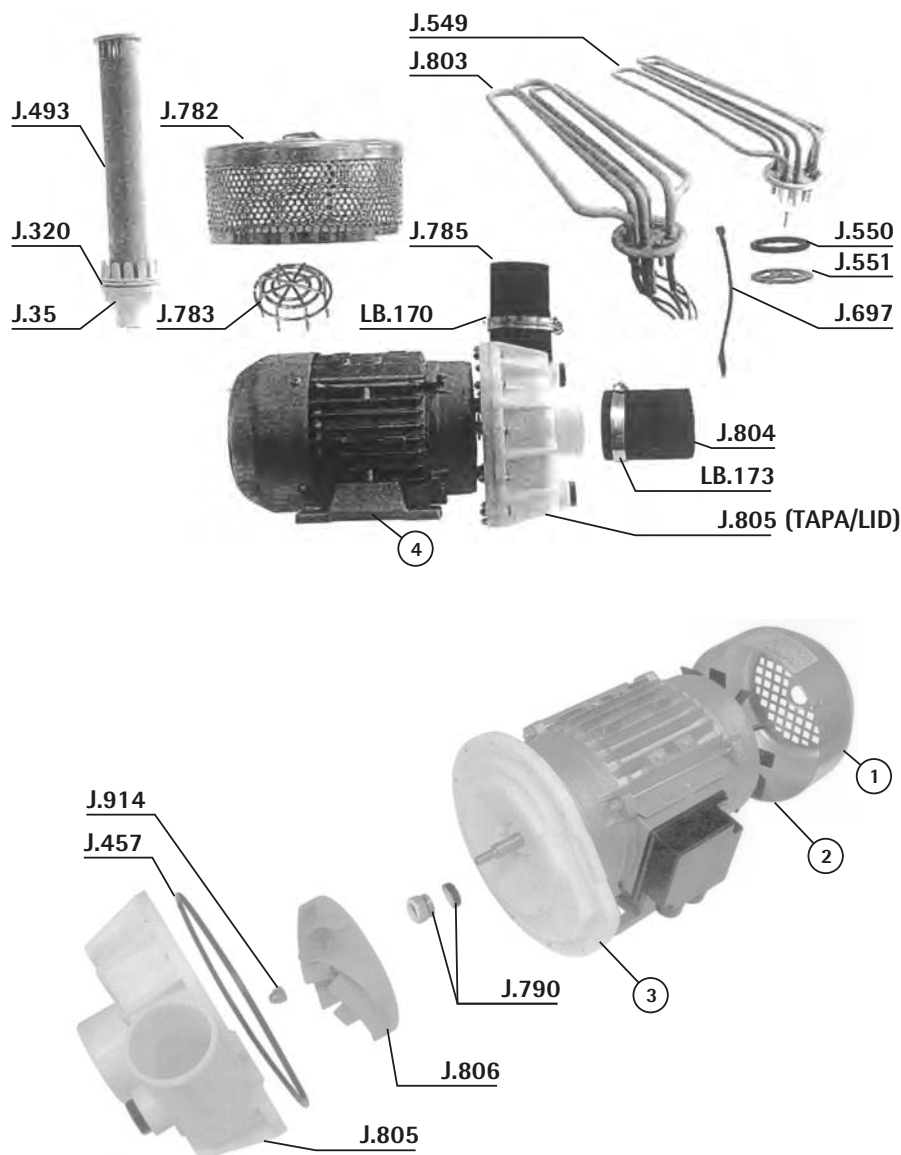
REF.	DESCRIPCIÓN	DESCRIPTION
J..50	PROGRAMADOR TODOS MODELOS	ALLS MODELS TIMER
J..255	INTERRUP.GENERAL MODERNO	MODERN GENERAL SWITCH
J..559	RACOR TERMOMETRO CPTO.	COMPLET THERM. FITTING
J..563	PRESOSTATO SAL.HORIZ.35/15	35/15 VERT.PRESS.SWITCH
J..602	BORNE TOMA TIERRA	CONNECTOR
J..632	CONTACTOR 20A	20A CONTACTOR
J..650	PULSADOR BOMBA DESAGÜE	OUTLET PUMP PUSH BUTTON
J..651	PILOTO TEMPERATURA	TEMPERATURE LAMP
J..680	TAPA IZQ	LEFT LID
J..681	TAPA DERECHA	RIGHT LID
J..709	ANTIPARASITO	CONDENSER
J..741	MANDO PROGRAMADOR	TIMER HANDLE
J..742	MANDO INTERRUPTOR	SWITCH HANDLE
J..743	PILOTO PUESTA EN MARCHA	START LAMP
J..744	PILOTO CICLO LAVADO	WASH LAMP
J..767	TERMOSTATO CALDERIN	BIOLER THERMOSTAT
J..801	RELE TERMICO 230V	230V THERMIC RELAY
J..895	EMBELLECEDOR MANDO	KNOB COVER
J..907	CARATULA GS-30	MEMBRANE GS-30
J..908	RELE TERMICO 2,6/3,7A 400V	RELAIS 2,6/3,7A 400V





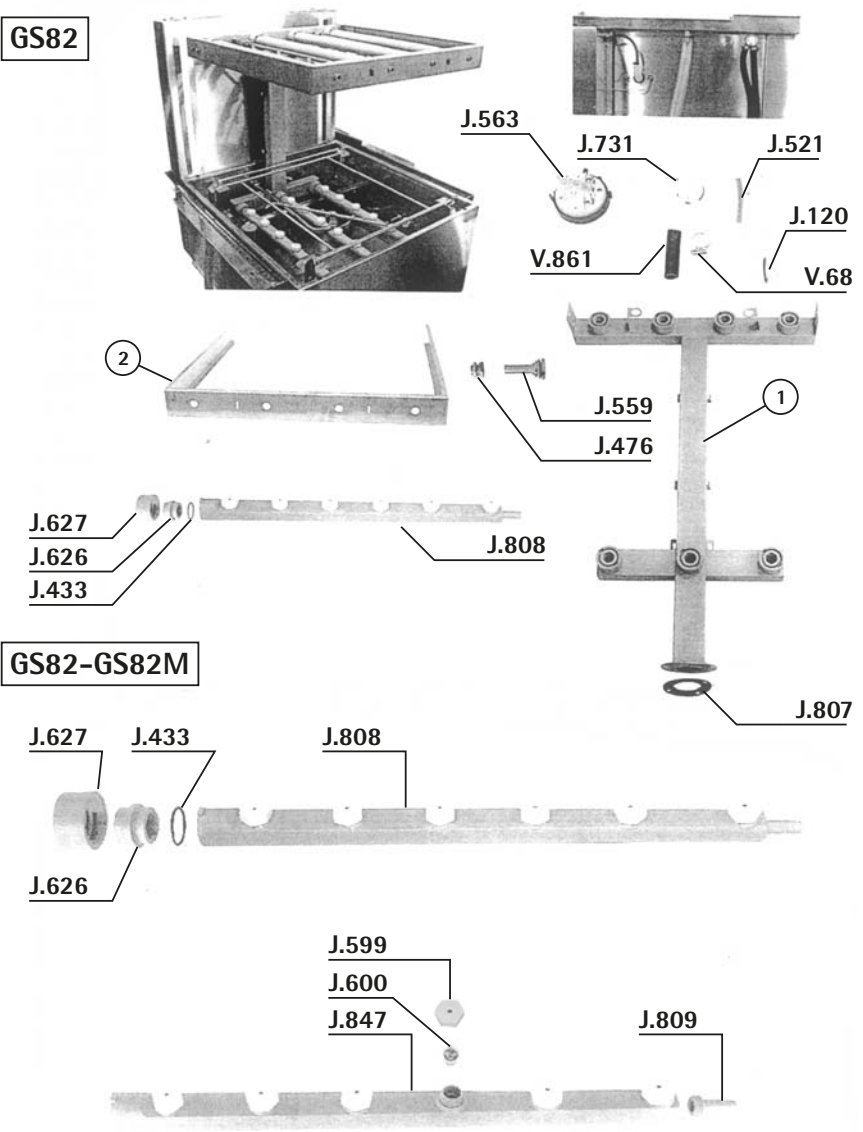
REF.	DESCRIPCIÓN	DESCRIPTION
J...20	DOSIFICADOR ABRILLANTADOR	RINSE AID DOSIMETER
J..778	TRANSFORMADOR	TRANSFORMER
V..132	ELECTROVAL.1 VIA LAV.220V	WASH 1 WAY 220V SOLENOID
V..133	ELECTROVAL.2 VIA LAV.220V	WASH 2 WAYS 220V SOLENOID

Bomba / Filtro GS-82 / GS-82M ■ GS-82 / GS-82M Pump / Filter

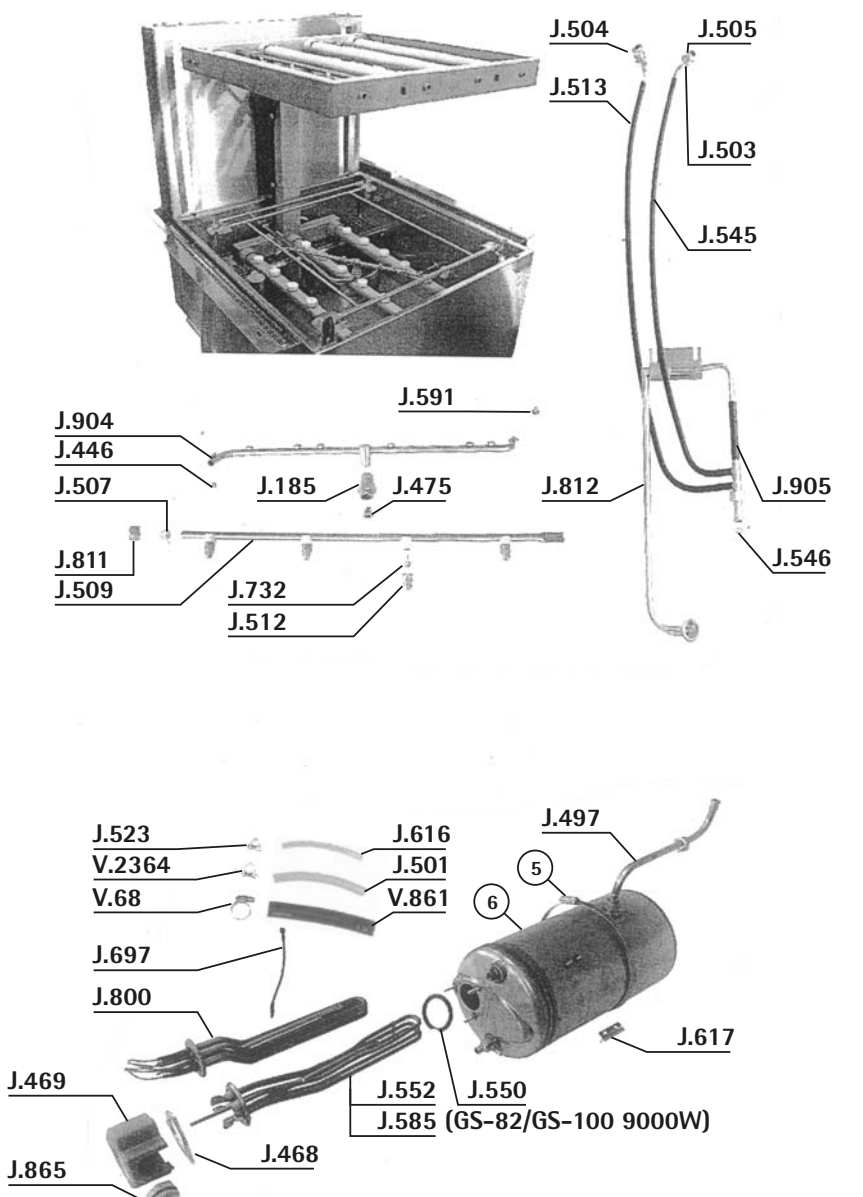


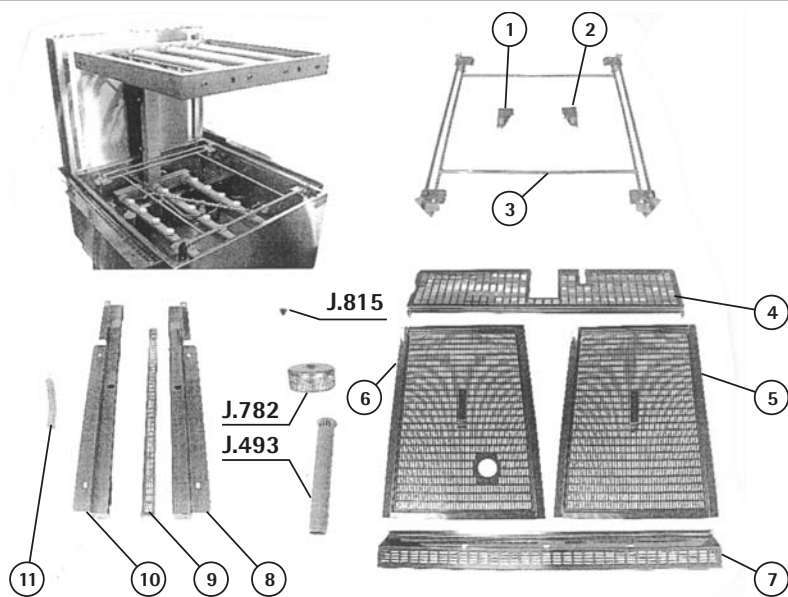
REF.	DESCRIPCIÓN	DESCRIPTION
J...35	RACOR DESAGÜE COMPL.PLASTICO	DRAIN FITTING
J..320	JUNTA GOMA	RUBBER GASKET
J..457	TORICA MOTOR BOMBA GOMA	MOTOR RUBBER RING
J..493	SOBRENIVEL GS82-100 Y GS41/3	GS82-100 GS41/3 OVERFLOW
J..549	RESISTENCIA CUBA 5000W/380V	5000W 400V TANK RESISTAN.
J..550	TORICA 44X6,5	44X6,5 RING
J..551	BRIDA RESISTENCIA CUBA	TANK RESISTANCE CLASP
J..697	PUENTE RESISTENCIA	RESISTANCE CORRECTOR
J..782	FILTRO BOMBA	PUMP FILTER
J..783	FILTRO BOMBA	PUMP FILTER
J..785	MANGUITO MOTOR	MOTO SLEEVE
J..790	RETEN BOMBA	PUMP MECHANICAL REAL
J..803	RESISTENCIA 440V/5000W	440V/5000W RESISTANCE
J..804	MANGUITO	SLEEVE
J..805	TAPA MOTOR	MOTOR LID
J..806	TURBINA	TURBINE
J..914	TUERCA	NUT
LB.170	ABRAZADERA 40-60	40-60 CLAMP
LB.173	ABRAZADERA 60-80	60-80 CLAMP

REF.	DESCRIPCIÓN	DESCRIPTION
J..120	TOMA PRESOSTATO	PRESSURE SWITCH INTAKE
J..433	TORICA GOMA	RING
J..476	PRENSAESTOPA	STUFFING BOX NUT
J..521	TUBO P.V.C. 5X9 AZUL	BLUE 5X9 P.V.C. PIPE
J..559	RACOR TERMOMETRO CPTO.	COMPLET THERM. FITTING
J..563	PRESOSTATO SAL.HORIZ.35/15	35/15 VERT.PRESS.SWITCH
J..599	TAPON LAVADO MODERNO	GS-82 MODERN WASH CAP
J..600	ESTRANG. LAVADO GS-82 MODERNO	GS-82 MODERN WASHING SWIRL
J..626	TAPON OBTURACION	CAP
J..627	ANILLO CIERRE	CLOSE RING
J..731	VALVULA ANTIREFLUJO	VALVE
J..807	JUNTA	GASKET
J..808	BRAZO LAVADO BALLONETA	WASH ARM
J..809	TERMINAL BRAZO LAVADO	WASH ARM TERMINAL
J..847	BRAZO LAVADO	WASH ARM
V..68	ABRAZADERA 32-50	35-50 CLAMP
V..861	TUBO GOMA 12X22mm 20ATM	20ATM 12X22mm RUBBER PIPE



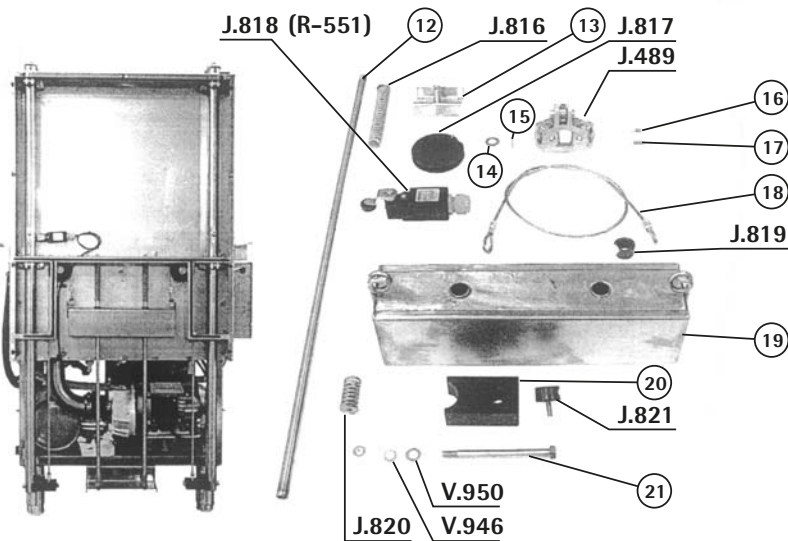
REF.	DESCRIPCIÓN	DESCRIPTION
J..185	EJE BRAZO GIRAT. GS 4-4/2	GS4-4/2 REVOLVING ARM ROD
J..446	TORNILLO GIRAT.ACLAR. INOX	REVOLVING ARM SPRAY
J..468	PLETINA RESISTENCIA	RESISTANCE IRON PLATE
J..469	PROTECTOR RESISTENCIA	RESISTANCE PROTECTOR
J..475	TORNILLO ALLEN	ALLEN SCREW
J..497	TUBO CALDERIN	BOILER PIPE
J..501	TUBO MALLA 6X12	6X12 PIPE
J..503	TUERCA 3/8 CODO GS.82-100	GS.82-100 ELBOW NUT
J..504	CODO DISTRIBUIDOR ACLARA.	RINSE DISTRIBUTOR ELBOW
J..505	RACOR 3/8 BRAZO ACLARADO	RINSE ARM 3/8 FITTING
J..507	CASQUILLO NYLON	NYLON CAP
J..509	BRAZO ACLA.CTO.GS.82-100	GS.82-100 RINSE ARM
J..512	ROCIADOR ACLARADO	RINSE SPRAY
J..513	TUBO DISTRIB.SUP.IZQ.	LEFT UPPER DISTRIB.PIPE
J..523	ABRAZADERA 9,5-10	9,5-10 CLAMP
J..545	TUBO DISTR.ACLA.SUP.DCHO.	RIGHT UPPER DISTRIB.PIPE
J..546	JUNTA ALIMENTARIA 10x18x2	10x18x2 ALIMENTARY GASKET
J..550	TORICA 44X6,5	44X6,5 RING
J..552	RESISTENCIA CALDERIN 6000W 230	BOILER RESISTANCE 6000W
J..585	RESISTENCIA CALD.GS9 400V 4500	GS9 400V BOILER RESISTAN.
J..591	SURT.ACLARADO GS 4-4/2 INOX	INOX RINSE SPRAY
J..616	TUBO PVC TRANSPARENTE 6x9	6x9 TRANSPARENT PVC PIPE
J..617	SUJECION TERMOSTATO	THERMOSTAT FIXATION
J..697	PUENTE RESISTENCIA	RESISTANCE CORRECTOR
J..732	HELICE ACLARADA	RINSE PROPELLER
J..800	RESISTENCIA TRIFASICA 6000W 44	6000W THREE PHASE RESISTANCE
J..811	TUERCA BRAZO ACLARADO	RINSE ARM NUT
J..812	SOPORTE BRAZO ACLARADO ABATIBE	RINSE ARM SUPPORT
J..865	PASACABLES 12 MM	WIRINGPIN
J..904	GIRATORIO GS-30/82	ROTATORY GS-30/82
J..905	TUBO ACLARADO PVC 9x12x80 MM	PVC RINSE PIPE 9x12x80 MM
V..68	ABRAZADERA 32-50	35-50 CLAMP
V..861	TUBO GOMA 12X22mm 20ATM	20ATM 12X22mm RUBBER PIPE
V.2364	ABRAZADERA RAPIDA 12-13	12-13 QUICK CLAMP



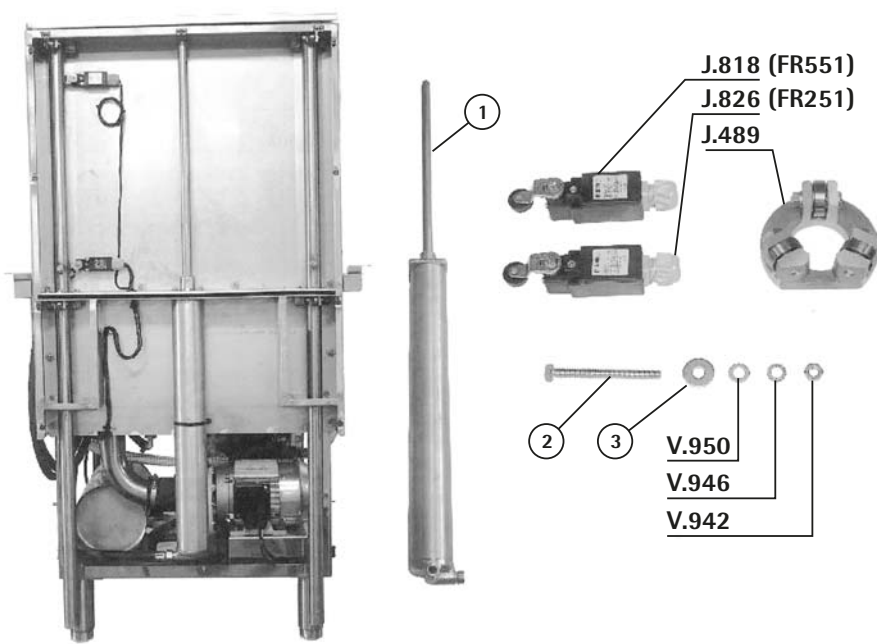


REF.	DESCRIPCIÓN	DESCRIPTION
J..489	CABALLETE 3 RODAMIENTOS	3 ROLLER SAWHORSE
J..493	SOBRENIVEL GS82-100 Y GS41/3	GS82-100 GS41/3 OVERFLOW
J..782	FILTRO BOMBA	PUMP FILTER
J..815	TOPE GOMA	RUBBER STOP
J..816	MUELLE SUPERIOR	SUPPER SPRING
J..817	POLEA	PULLEY
J..818	MICRO FINAL CARRERA R-551	R-551 MICROSWITCH
J..819	CASQUILLO	CAP
J..820	MUELLE SUPERIOR	LOWER SPRING
J..821	TOPE AMORTIGUADOR	STOP
V..946	ARANDELA DENTADA INOX M8	M8 INOX GROVER WASHER
V..950	ARANDELA INOX M8	M8 INOX WASHER

GS82M



Zona trasera GS-82 - GS-82M ■ GS-82 - GS-82M Rear part



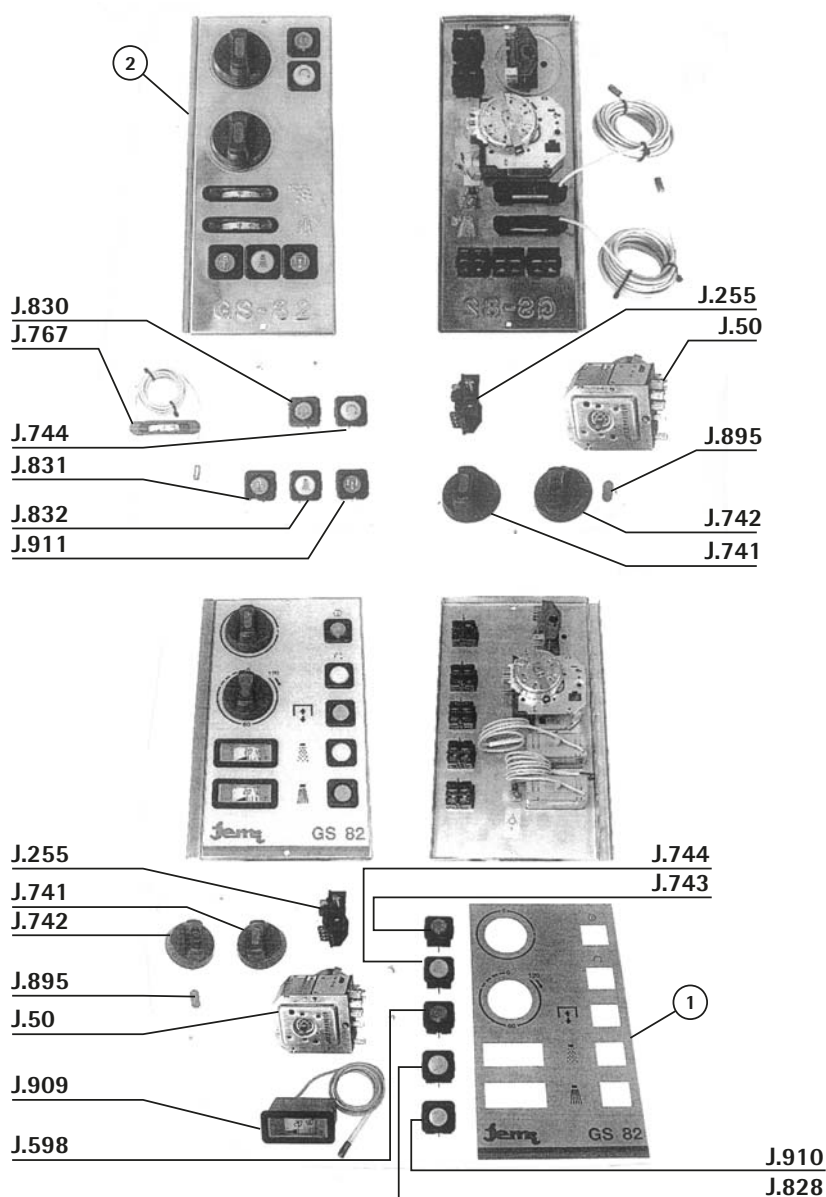
REF.	DESCRIPCIÓN	DESCRIPTION
J..489	CABALLETE 3 RODAMIENTOS	3 ROLLER SAWHORSE
J..818	MICRO FINAL CARRERA R-551	R-551 MICROSWITCH
J..826	MICRO FINAL CARRERA R-251	R-251 MICROSWITCH
V..942	TUERCA INOX M8	M8 INOX NUT
V..946	ARANDELA DENTADA INOX M8	M8 INOX GROVER WASHER
V..950	ARANDELA INOX M8	M8 INOX WASHER

The components with circle are under request. CONSULT US.

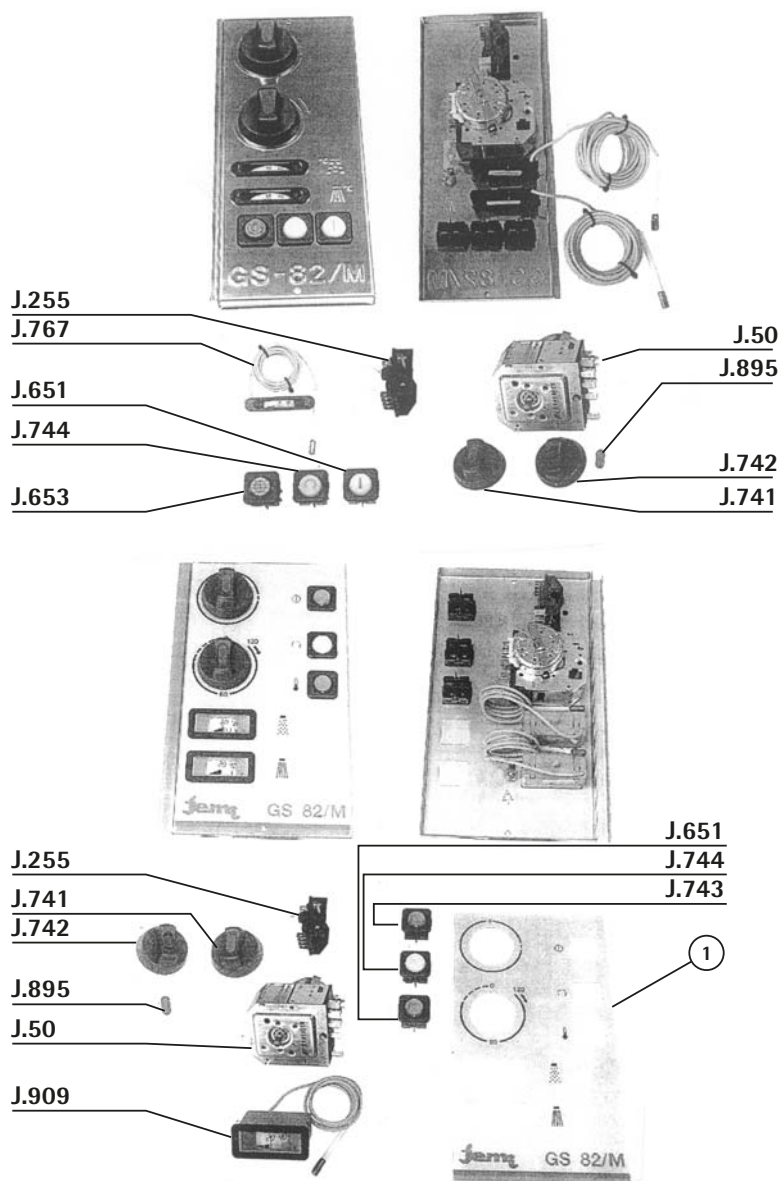
① ② ③ ...



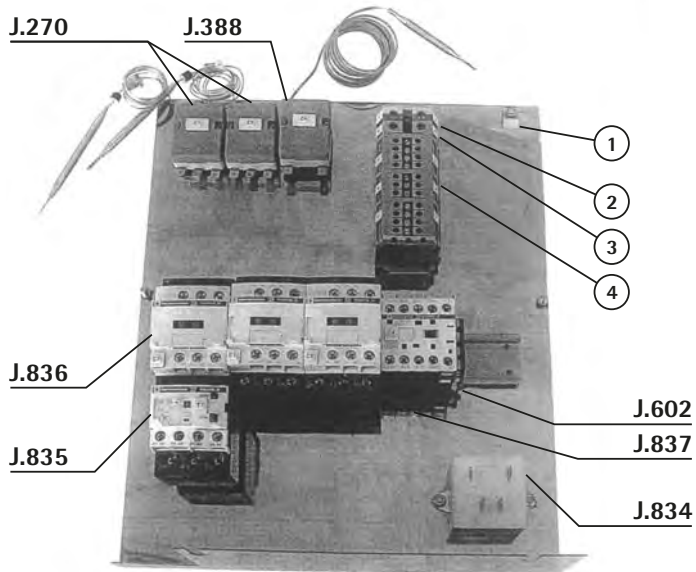
REF.	DESCRIPCIÓN	DESCRIPTION
J...50	PROGRAMADOR TODOS MODELOS	ALLS MODELS TIMER
J..255	INTERRUP.GENERAL MODERNO	MODERN GENERAL SWITCH
J..598	PULSADOR	PUSH-BUTTON
J..741	MANDO PROGRAMADOR	TIMER HANDLE
J..742	MANDO INTERRUPTOR	SWITCH HANDLE
J..743	PILOTO PUESTA EN MARCHA	START LAMP
J..744	PILOTO CICLO LAVADO	WASH LAMP
J..767	TERMOSTATO CALDERIN	BIOLER THERMOSTAT
J..828	PULSADOR ACLARADO	RINSE PUESH BUTTON
J..830	PILOTO PUESTO EN MARCHA	START LAMP
J..831	INTERRUPTOR LAVADO	WASH SWITCH
J..832	PULSADOR ACLARADO	RINSE PUSH BUTTON
J..895	EMBELLECEDOR MANDO	KNOB COVER
J..909	TERMOMETRO RECTANGULAR	THERMOMETER
J..910	INTERRUPTOR LAVADO MANUAL	WASHING SWITCH
J..911	PULSADOR SUBIDA/BAJADA CAMPANA	UP/DOWN PUSH-BUTTON



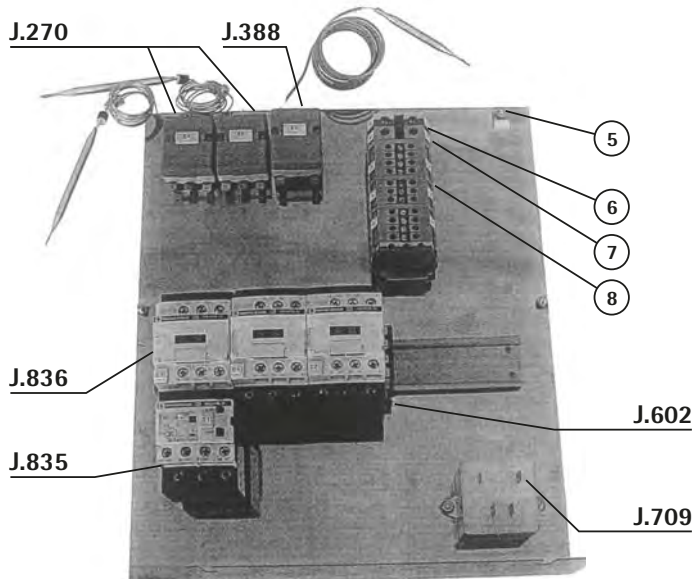
REF.	DESCRIPCIÓN	DESCRIPTION
J...50	PROGRAMADOR TODOS MODELOS	ALLS MODELS TIMER
J..255	INTERRUP.GENERAL MODERNO	MODERN GENERAL SWITCH
J..651	PILOTO TEMPERATURA	TEMPERATURE LAMP
J..653	INTERRUPTOR PUESTA EN MARCHA	START SWITCH
J..741	MANDO PROGRAMADOR	TIMER HANDLE
J..742	MANDO INTERRUPTOR	SWITCH HANDLE
J..743	PILOTO PUESTA EN MARCHA	START LAMP
J..744	PILOTO CICLO LAVADO	WASH LAMP
J..767	TERMOSTATO CALDERIN	BIOLER THERMOSTAT
J..895	EMBELLECEDOR MANDO	KNOB COVER
J..909	TERMOMETRO RECTANGULAR	THERMOMETER



GS82

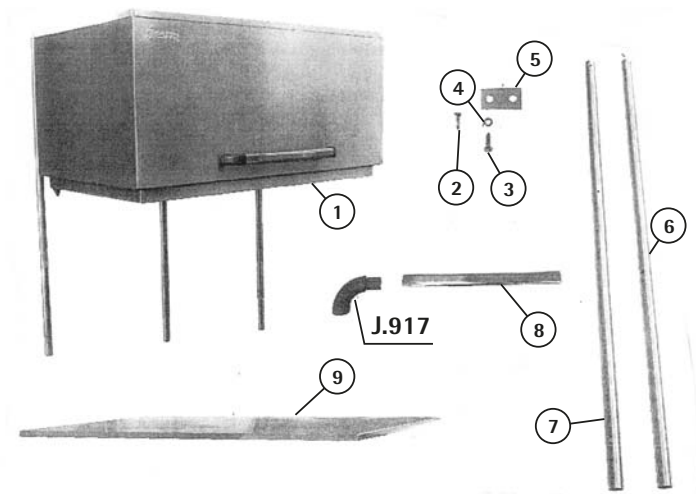


GS82 M

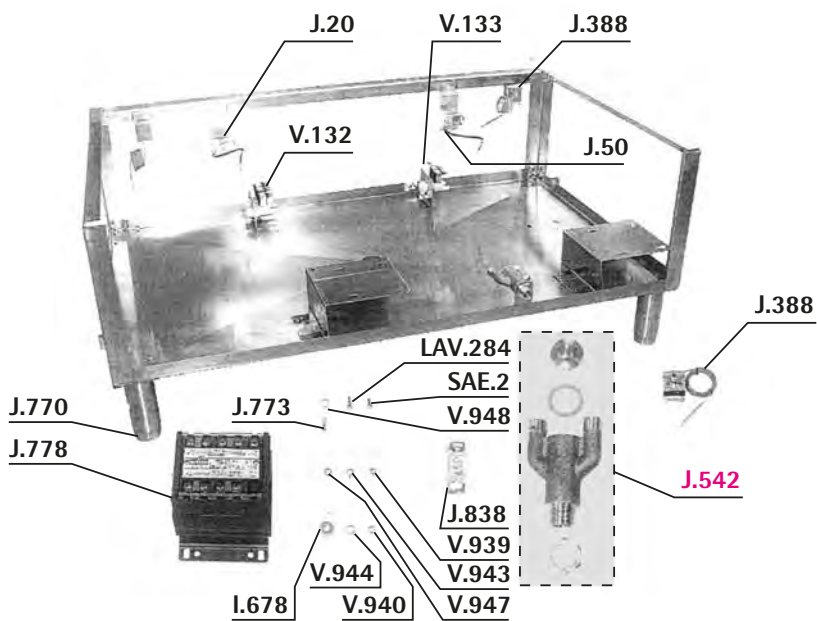


REF.	DESCRIPCIÓN	DESCRIPTION
J..270	TERMOSTATO ROSCADO 90°	90° SCREW THERMOSTAT
J..388	TERMOSTATO SEGURIDAD 140°	SAFETY THERMOSTAT
J..602	BORNE TOMA TIERRA	CONNECTOR
J..709	ANTIPARASITO	CONDENSER
J..834	ANTIPARASITO	CONDENSER
J..835	RELE TERMICO	THERMIC RELAY
J..836	CONTACTOR	CONTACTEUR
J..837	CONTACTOR CAMPANA	BELL CONTACTOR

Carrocería GS-100 ■ GS-100 Bodywork



REF.	DESCRIPCIÓN	DESCRIPTION
I..678	ARANDELA DIN9021 M5 ZINCADA	WASHER
J...20	DOSIFICADOR ABRILLANTADOR	RINSE AID DOSIMETER
J...50	PROGRAMADOR TODOS MODELOS	ALLS MODELS TIMER
J..388	TERMOSTATO SEGURIDAD 140°	SAFETY THERMOSTAT
J..542	FILTRO ENTRADA AGUA	WATER INLET FILTER
J..770	PIE REGULABLE	ADJUSTABLE FOOT
J..773	TORNILLO	SCREW
J..778	TRANSFORMADOR	TRANSFORMER
J..838	FILTRO ENTRADA AGUA	WATER INLET FILTER
J..917	SOPORTE ASA	SUPPORT
LAV284	TORNILLO INOX	INOX SCREW
SAE..2	TORNILLO INOX	INOX SCREW
V..132	ELECTROVAL.1 VIA LAV.220V	WASH 1 WAY 220V SOLENOID
V..133	ELECTROVAL.2 VIA LAV.220V	WASH 2 WAYS 220V SOLENOID
V..939	TUERCA INOX M4	M4 INOX NUT
V..940	TUERCA INOX M5	M5 INOX NUT
V..943	ARANDELA DENTADA INOX M4	M4 INOX GROVER WASHER
V..944	ARANDELA DENTADA INOX M5	M5 INOX GROVER WASHER
V..947	ARANDELA INOX M4	M4 INOX WASHER
V..948	ARANDELA INOX M5	M5 INOX WASHER

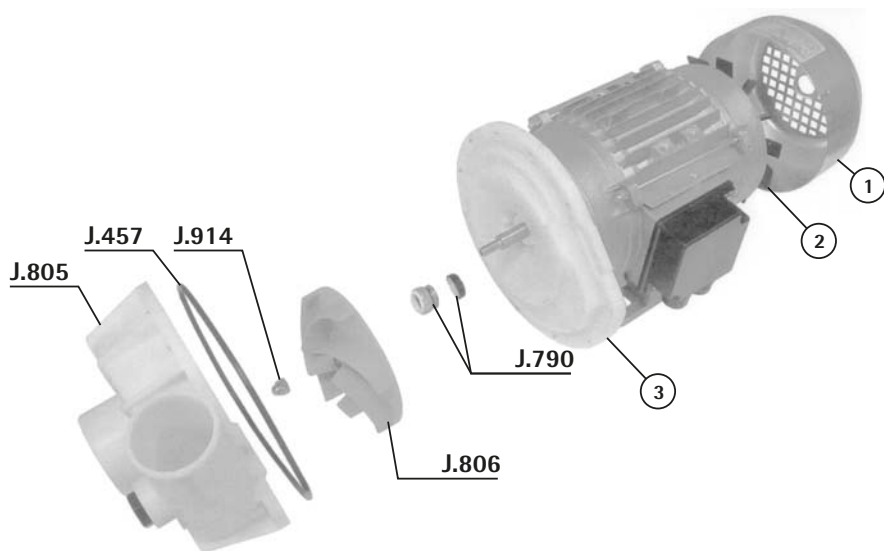
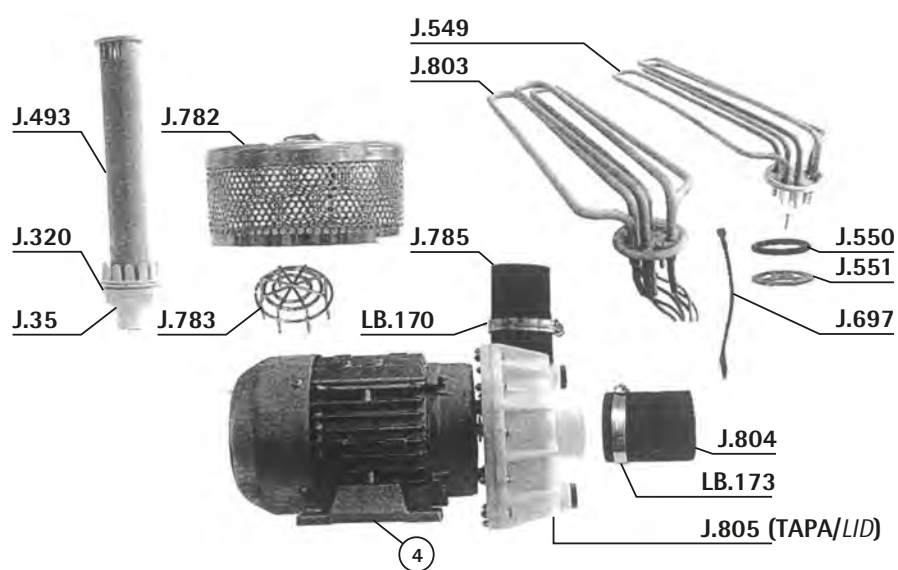


JEMI
Lavavajillas
Dishwashers

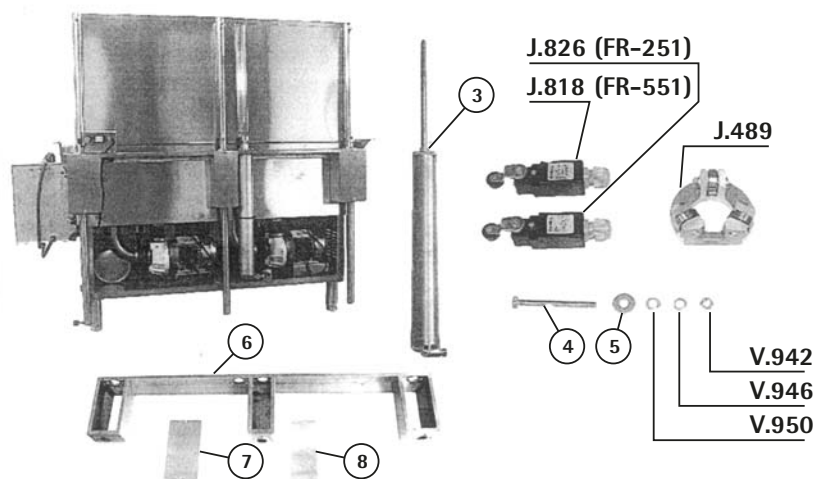
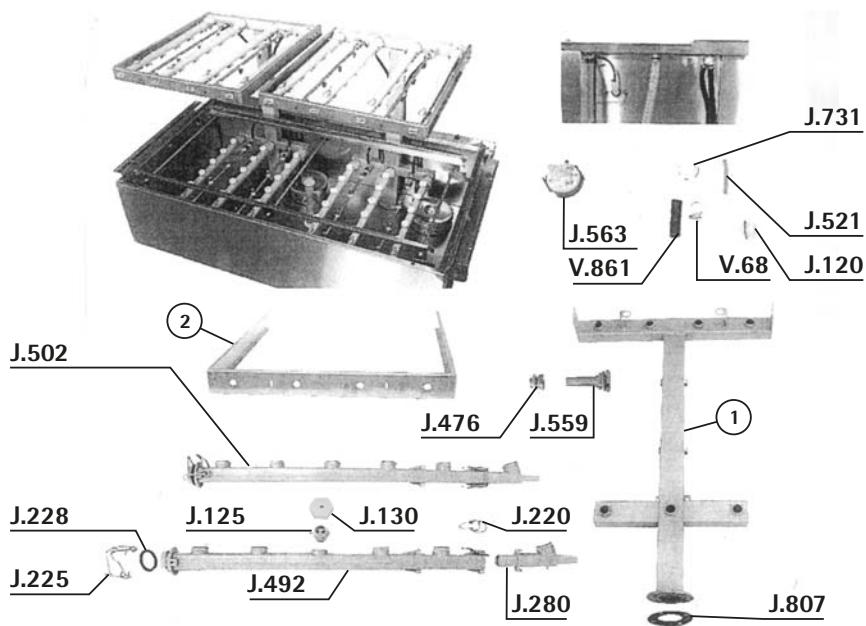
JEMI
Lavavajillas
Dishwashers

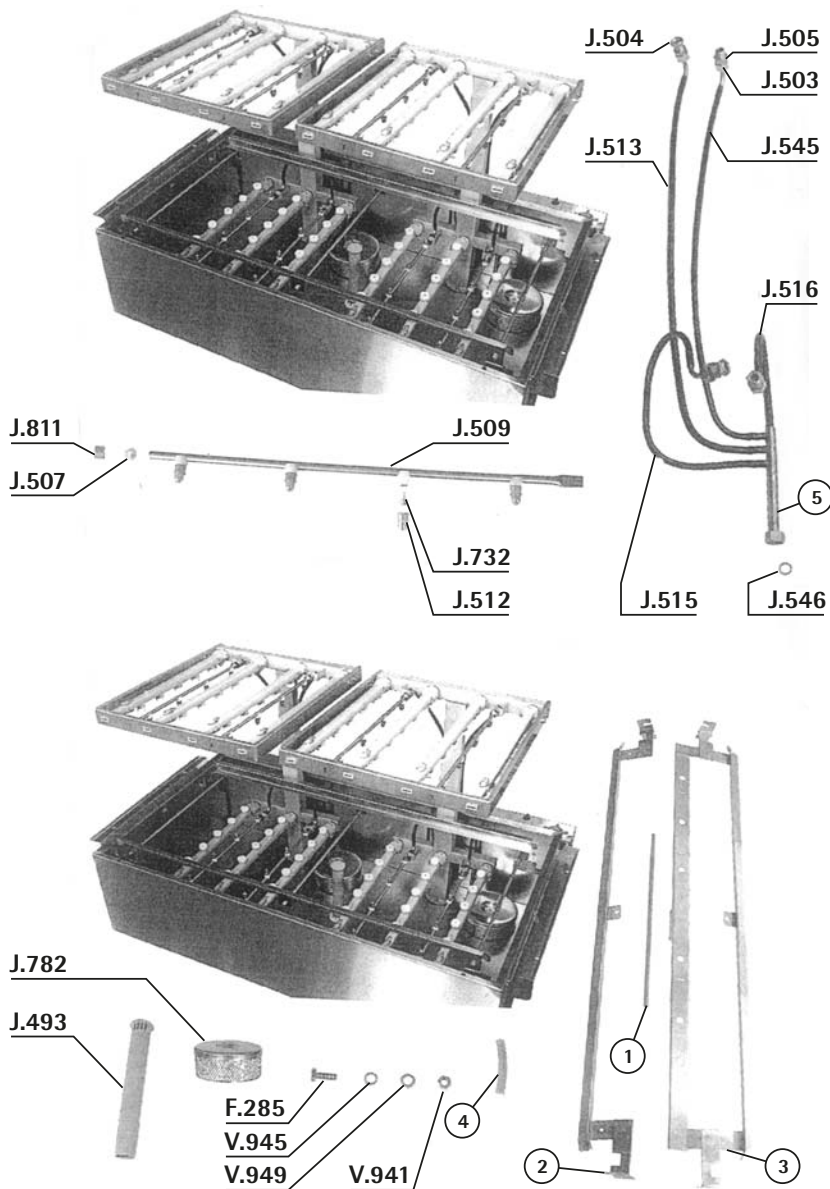
ascaso

REF.	DESCRIPCIÓN	DESCRIPTION
J...35	RACOR DESAGÜE COMPL.PLASTICO	DRAIN FITTING
J..320	JUNTA GOMA	RUBBER GASKET
J..457	TORICA MOTOR BOMBA GOMA	MOTOR RUBBER RING
J..493	SOBRENIVEL GS82-100 Y GS41/3	GS82-100 GS41/3 OVERFLOW
J..549	RESISTENCIA CUBA 5000W/380V	5000W 400V TANK RESISTAN.
J..550	TORICA 44X6,5	44X6,5 RING
J..551	BRIDA RESISTENCIA CUBA	TANK RESISTANCE CLASP
J..697	PUENTE RESISTENCIA	RESISTANCE CORRECTOR
J..782	FILTRO BOMBA	PUMP FILTER
J..783	FILTRO BOMBA	PUMP FILTER
J..785	MANGUITO MOTOR	MOTO SLEEVE
J..790	RETEN BOMBA	PUMP MECHANICAL REAL
J..803	RESISTENCIA 440V/5000W	440V/5000W RESISTANCE
J..804	MANGUITO	SLEEVE
J..805	TAPA MOTOR	MOTOR LID
J..806	TURBINA	TURBINE
J..914	TUERCA	NUT
LB.170	ABRAZADERA 40-60	40-60 CLAMP
LB.173	ABRAZADERA 60-80	60-80 CLAMP

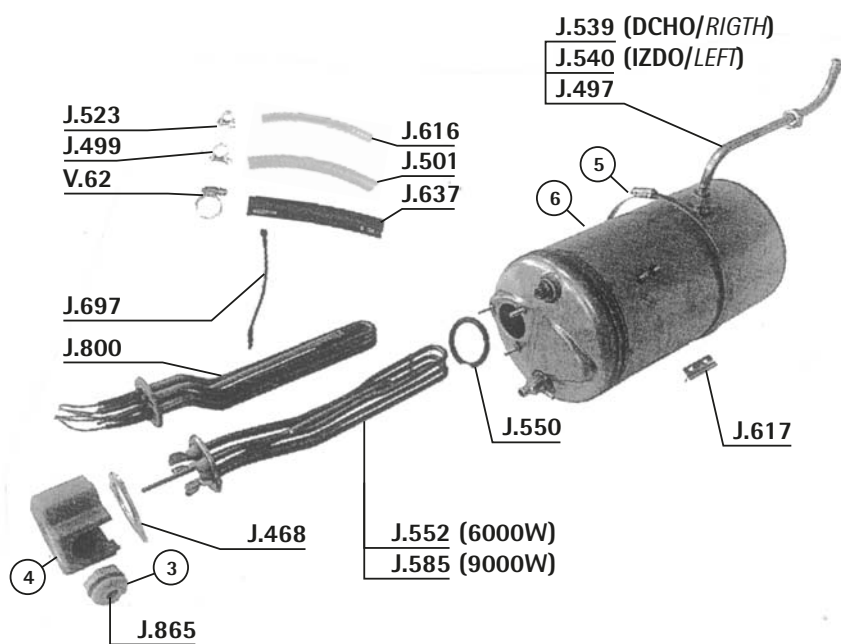


REF.	DESCRIPCIÓN	DESCRIPTION
J..120	TOMA PRESOSTATO	PRESSURE SWITCH INTAKE
J..125	RACOR LAV.8-8/2-9-82-100	8-8/2-9-82-100 WASH SPRAY
J..130	TAPON RACOR LAVADO GS9	GS9 WASHING SPRAY CAP
J..220	MUELLE	SPRING
J..225	MUELLE GRANDE	GREAT SPRING
J..228	TORICA BRAZO LAVADO NBR	WASHING ARM RING
J..280	TERMINAL GS8-8/2-80-100 SIN SU	GS8-8/2-80-100 TERMINAL
J..476	PRENSAESTOPA	STUFFING BOX NUT
J..489	CABALLETE 3 RODAMIENTOS	3 ROLLER SAWHORSE
J..492	BRAZO LAVADO GS.82-100 SOLO	GS.82-100 WASH ARM
J..502	BRAZO LAVADO COMPLETO	COMPLET WASH ARM
J..521	TUBO P.V.C. 5X9 AZUL	BLUE 5X9 P.V.C. PIPE
J..559	RACOR TERMOMETRO CPTO.	COMPLET THERM. FITTING
J..563	PRESOSTATO SAL.HORIZ.35/15	35/15 VERT.PRESS.SWITCH
J..731	VALVULA ANTIREFLUJO	VALVE
J..807	JUNTA	GASKET
J..818	MICRO FINAL CARRERA R-551	R-551 MICROSWITCH
J..826	MICRO FINAL CARRERA R-251	R-251 MICROSWITCH
V...68	ABRAZADERA 32-50	32-50 CLAMP
V..861	TUBO GOMA 12X22mm 20ATM	20ATM 12X22mm RUBBER PIPE
V..942	TUERCA INOX M8	M8 INOX NUT
V..946	ARANDELA DENTADA INOX M8	M8 INOX GROVER WASHER
V..950	ARANDELA INOX M8	M8 INOX WASHER



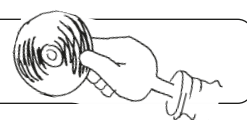


REF.	DESCRIPCIÓN	DESCRIPTION
F.285	TORNILLO CABEZA HEXAGONAL	HEXAGONAL HEAD SCREW
J.493	SOBRENIVEL GS82-100 Y GS41/3	GS82-100 GS41/3 OVERFLOW
J.503	TUERCA 3/8 CODO GS.82-100	GS.82-100 ELBOW NUT
J.504	CODO DISTRIBUIDOR ACLARA.	RINSE DISTRIBUTOR ELBOW
J.505	RACOR 3/8 BRAZO ACLARADO	RINSE ARM 3/8 FITTING
J.507	CASQUILLO NYLON	NYLON CAP
J.509	BRAZO ACLA.CTO.GS.82-100	GS.82-100 RINSE ARM
J.512	ROCIADOR ACLARADO	RINSE SPRAY
J.513	TUBO DISTRIB.SUP.IZQ.	LEFT UPPER DISTRIB.PIPE
J.515	TUBO DISTRIB.INF.IZQUIERDO	LEFT LOWER DISTRIBUT.PIPE
J.516	TUBO DISTRIB.INF.DERECHO	RIGHT LOWER DISTRIB.PIPE
J.545	TUBO DISTR.ACLA.SUP.DCHO.	RIGHT UPPER DISTRIBU.PIPE
J.546	JUNTA ALIMENTARIA 10x18x2	10x18x2 ALIMENTARY GASKET
J.732	HELICE ACLARADA	RINSE PROPELLER
J.782	FILTRO BOMBA	PUMP FILTER
J.811	TUERCA BRAZO ACLARADO	RINSE ARM NUT
V.941	TUERCA INOX M6	M6 INOX NUT
V.945	ARANDELA DENTADA INOX M6	M6 INOX GROVER WASHER
V.949	ARANDELA INOX M6	M6 INOX WASHER

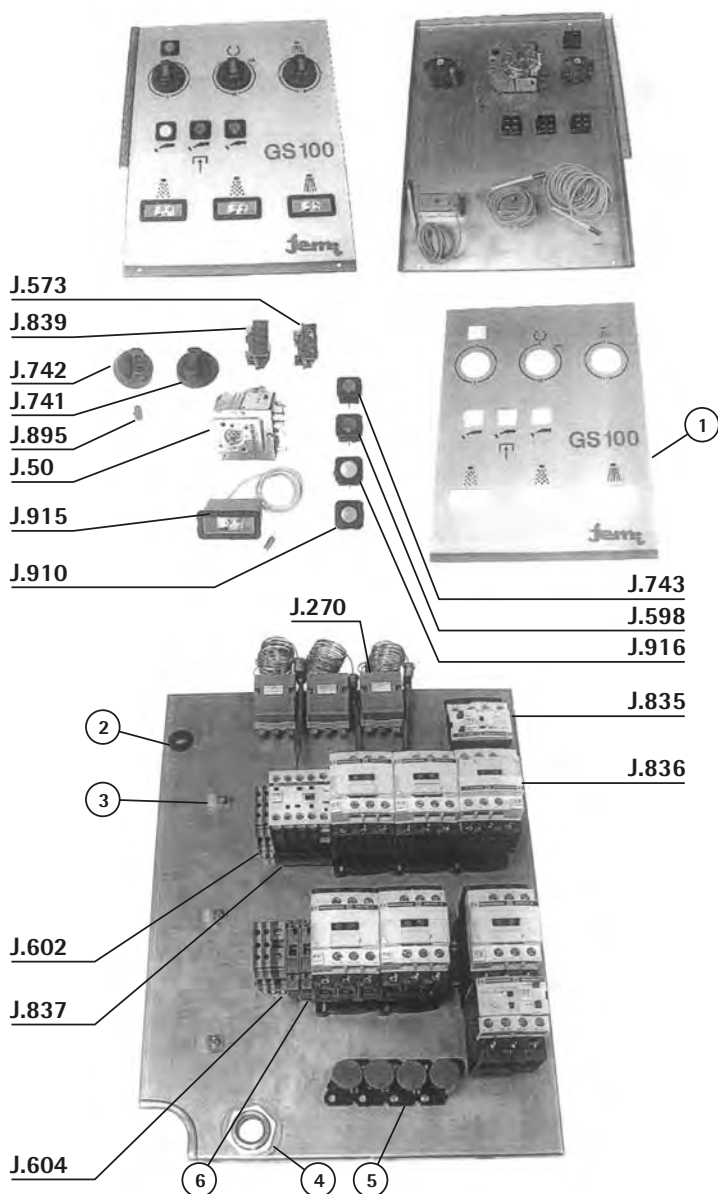


REF.	DESCRIPCIÓN	DESCRIPTION
J.468	PLETINA RESISTENCIA	RESISTANCE IRON PLATE
J.497	TUBO CALDERIN	BOILER PIPE
J.499	SERVIR V.2364	12-13 CLAMP
J.501	TUBO MALLA 6X12	6X12 PIPE
J.523	ABRAZADERA 9,5-10	9,5-10 CLAMP
J.539	TUBO CALDERIN DERECHO	1 CURVE BOILER PIPE
J.540	TUBO CALDERIN IZQUIERDO	2 CURVES BOILER PIPE
J.550	TORICA 44X6,5	44X6,5 RING
J.552	RESISTENCIA CALDERIN 6000W 230	BOILER RESISTANCE 6000W
J.585	RESISTENCIA CALD.GS9 400V 4500	GS9 400V BOILER RESISTAN.
J.616	TUBO PVC TRANSPARENTE 6x9	6x9 TRANSPARENT PVC PIPE
J.617	SUJECION TERMOSTATO	THERMOSTAT FIXATION
J.637	SERVIR V.861	DIM012xL=600 PIPE
J.697	PUENTE RESISTENCIA	RESISTANCE CORRECTOR
J.800	RESISTENCIA TRIFASICA 6000W 44	6000W THREE PHASE RESISTANCE
J.865	PASACABLES 12 MM	WIRINGPIN
V..62	ABRAZADERA 12-20	12-20 CLAMP

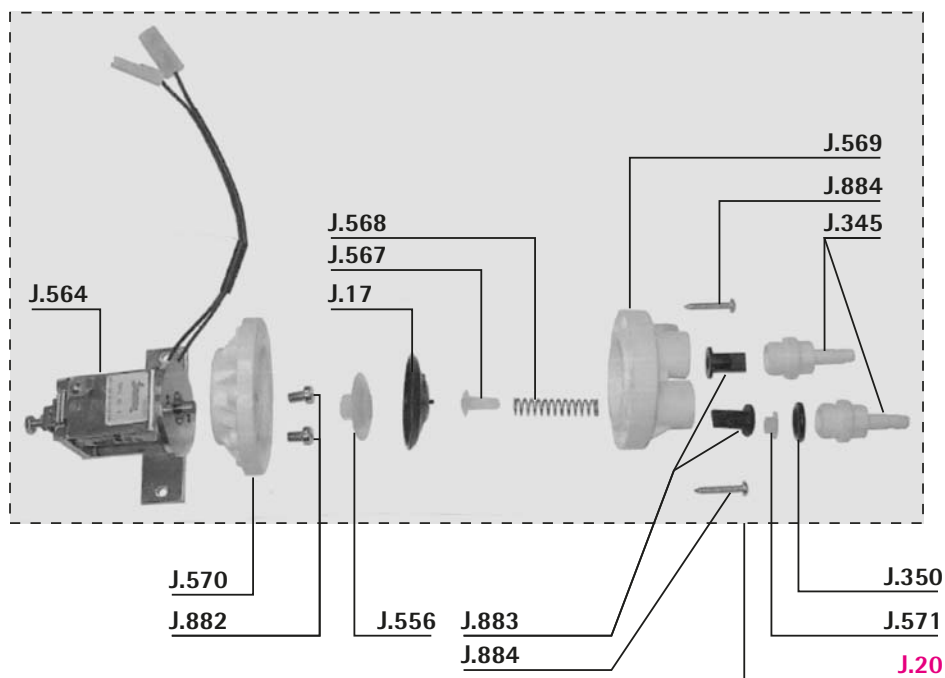
Solicite el DVD, incluye todos nuestros catálogos. Más de 50.000 artículos

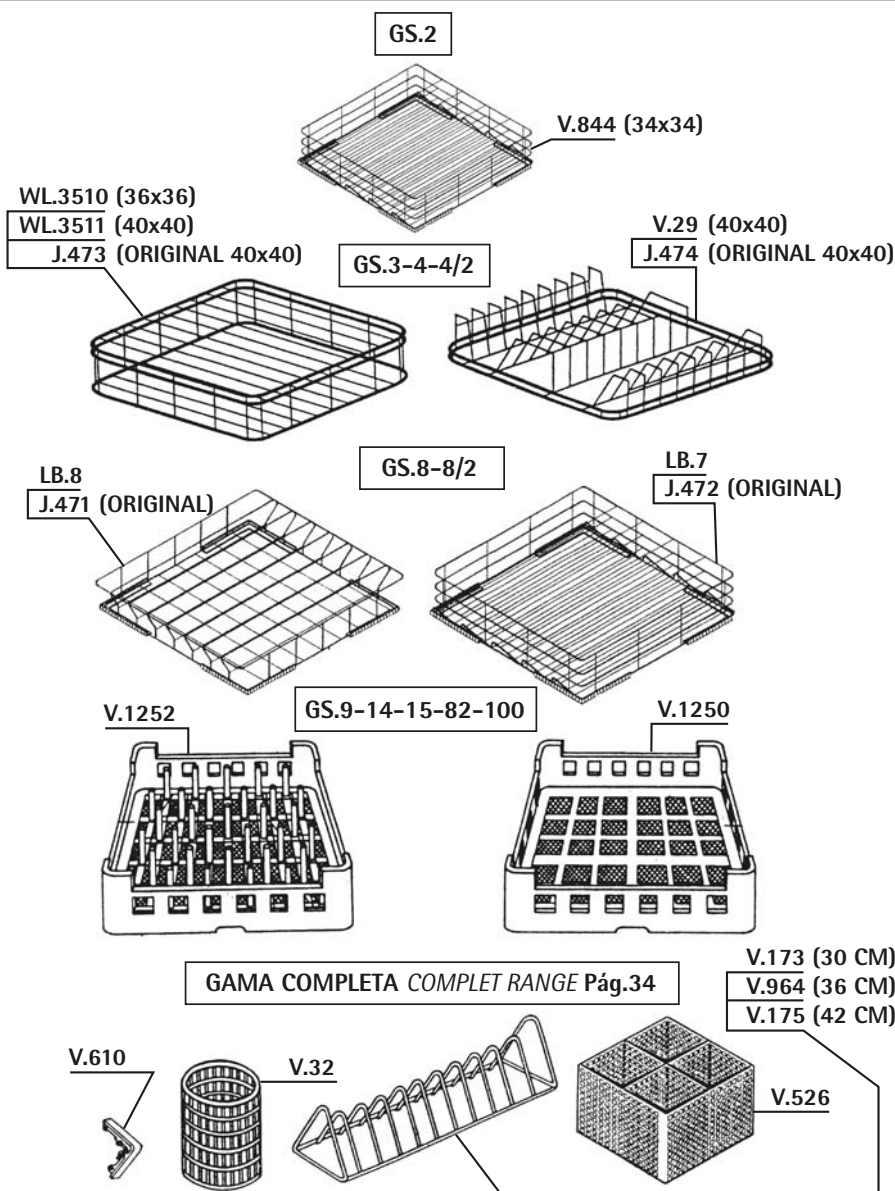


REF.	DESCRIPCIÓN	DESCRIPTION
J...50	PROGRAMADOR TODOS MODELOS	ALLS MODELS TIMER
J..270	TERMOSTATO ROSCADO 90°	90° SCREW THERMOSTAT
J..573	CONMUTADOR	SWITCH
J..598	PULSADOR	PUSH-BUTTON
J..602	BORNE TOMA TIERRA	CONNECTOR
J..604	REGLETA PORTA FUSIBLE	FUSE CONNECTOR
J..741	MANDO PROGRAMADOR	TIMER HANDLE
J..742	MANDO INTERRUPTOR	SWITCH HANDLE
J..743	PILOTO PUESTA EN MARCHA	START LAMP
J..835	RELE TERMICO	THERMIC RELAY
J..836	CONTACTOR	CONTACTEUR
J..837	CONTACTOR CAMPANA	BELL CONTACTOR
J..839	INTERRUPTOR PUESTA EN MARCHA	START SWITCH
J..895	EMBELLECEDOR MANDO	KNOB COVER
J..910	INTERRUPTOR LAVADO MANUAL	WASHING SWITCH
J..915	TERMOMETRO L=2000 MM	THERMOMETER L= 2000 MM
J..916	PULSADOR ACLARADO	RINSE PUSH BUTTON



REF.	DESCRIPCIÓN	DESCRIPTION
J...17	MEMBRANA DOSIFICADOR	DOSIMETER MEMBRANE
J...20	DOSIFICADOR ABRILLANTADOR	RINSE AID DOSIMETER
J..345	ENTRADAS DOSIFICADOR	DOSIMETER FITTING INLET
J..350	TORICA ENTRADA GOMA	RUBBER INLET RING
J..556	PROTECTOR PULSAD.SILICONA	SILICONE OUSH PROTECTOR
J..564	BOBINA DOSIFICADOR	DOSIMETER COIL
J..567	EJE MEMBRANA	MEMBRANE ROD
J..568	MUELLE DOSIFICADOR	DOSIMETER SPRING
J..569	TAPA DOSIFICADOR	DOSIMETER LID
J..570	CUERPO DOSIFICADOR	DOSIMETER BODY
J..571	ARO VALVULA	VALVE RING
J..882	TORNILLO INOX 5x8 DIN-84	INOX SCREW 5x8 DIN-84
J..883	VALVULA LABIADA	VALVE
J..884	TORNILLO DIN-7981 M 3,5x22	SCREW DIN-7981 M 3,5x22



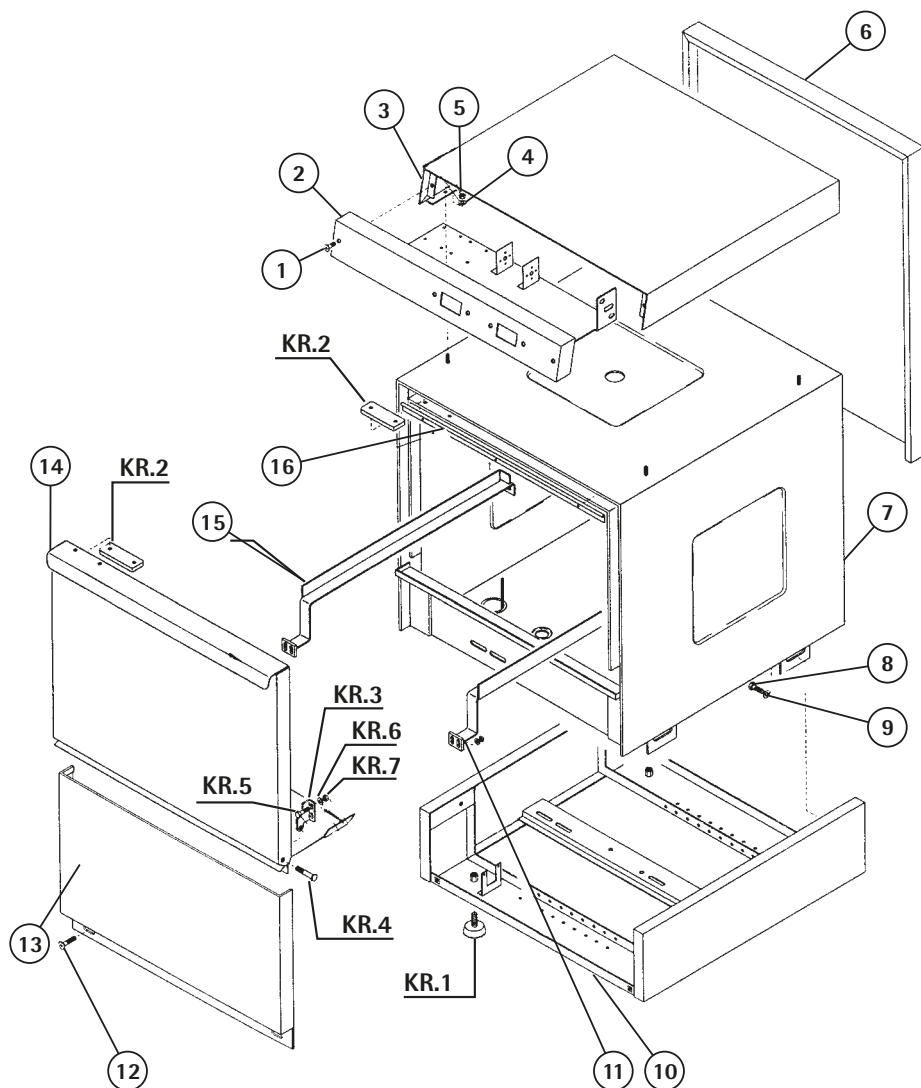


REF.	DESCRIPCIÓN	DESCRIPTION
J..471	CESTO PLATOS ORIGIN.GS/8	ORIGINAL GS/8 DISH BASKET
J..472	CESTO VASOS ORIGINAL GS/8	ORIG.GS/8 GLASSES BASKET
J..473	CESTO ORIGINAL GS/4	ORIG.GS/4 GLASSES BASKET
J..474	CESTO PLATOS ORIGIN.GS/4	ORIGINAL GS/4 DISK BASKET
LB...7	CESTO CUADRO VASOS 42x49	42X49 GLASSES BASKET
LB...8	CESTO CUADRO PLATOS 42x49	42X49 DISH BASKET
V...29	CESTO CUADRO PLATOS 40x40	40X40 SQUARE PLATE BASKET
V..32	CESTO CUCHARAS PLASTICO	PLASTIC SPOON BASKET
V..173	INSERTO PLATOS 30CMT.	30CMT DISHES INSERT
V..175	INSERTO PLATOS 42CMT.	42CMT DISHES INSERT
V..526	CESTO CUCHARAS CUADRADO	SQUARE SPOON BASKET
V..610	CANTONERA CESTO CUADRADO	BASKET SQUARE CORNERPIECE
V..844	CESTO CUADRO VASOS 34X34	34X34 GLASSES BASKET
V..964	INSERTO PLATOS 36cm	36cm DISHES INSERT
V.1250	CESTA VASOS 50X50	50X50 GLASSES RACK
V.1252	CEST.PLATOS-BANDEJA 50X50	PLATES AND TRAYS RACK
WL3510	CESTO CUADRO VASOS 36x36	36X36 GLASSES BASKET
WL3511	CESTO CUADRO VASOS 40x40	40X40 GLASSES BASKET

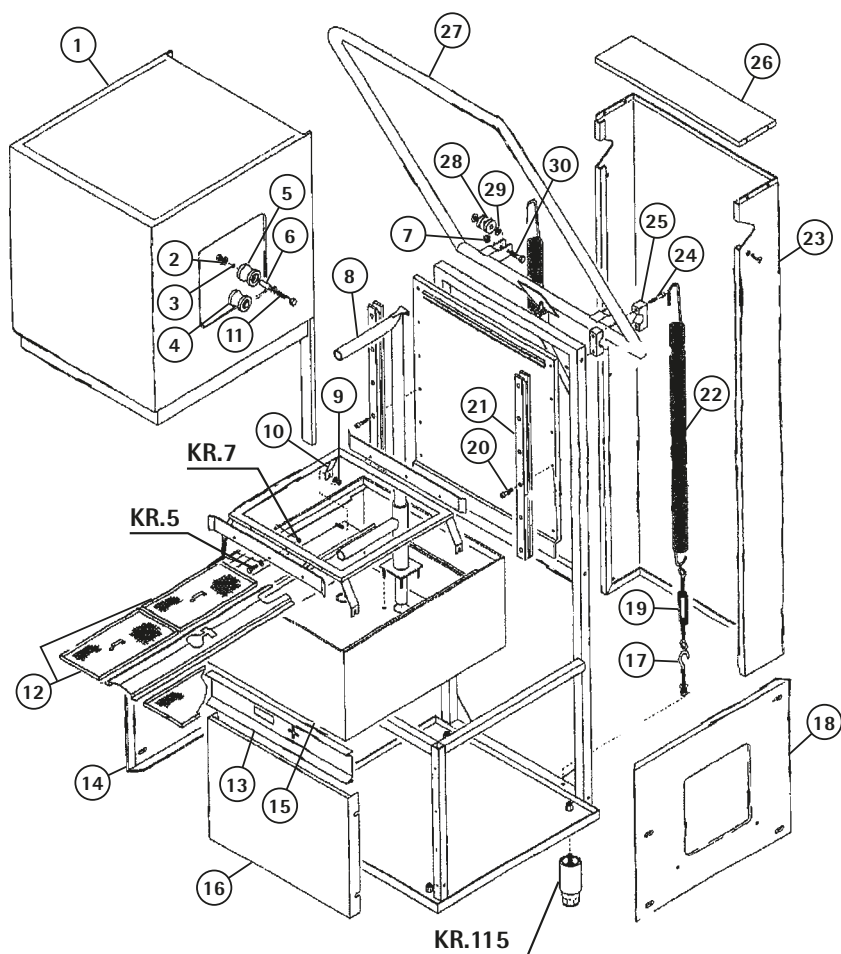
Índice KRUPPS index

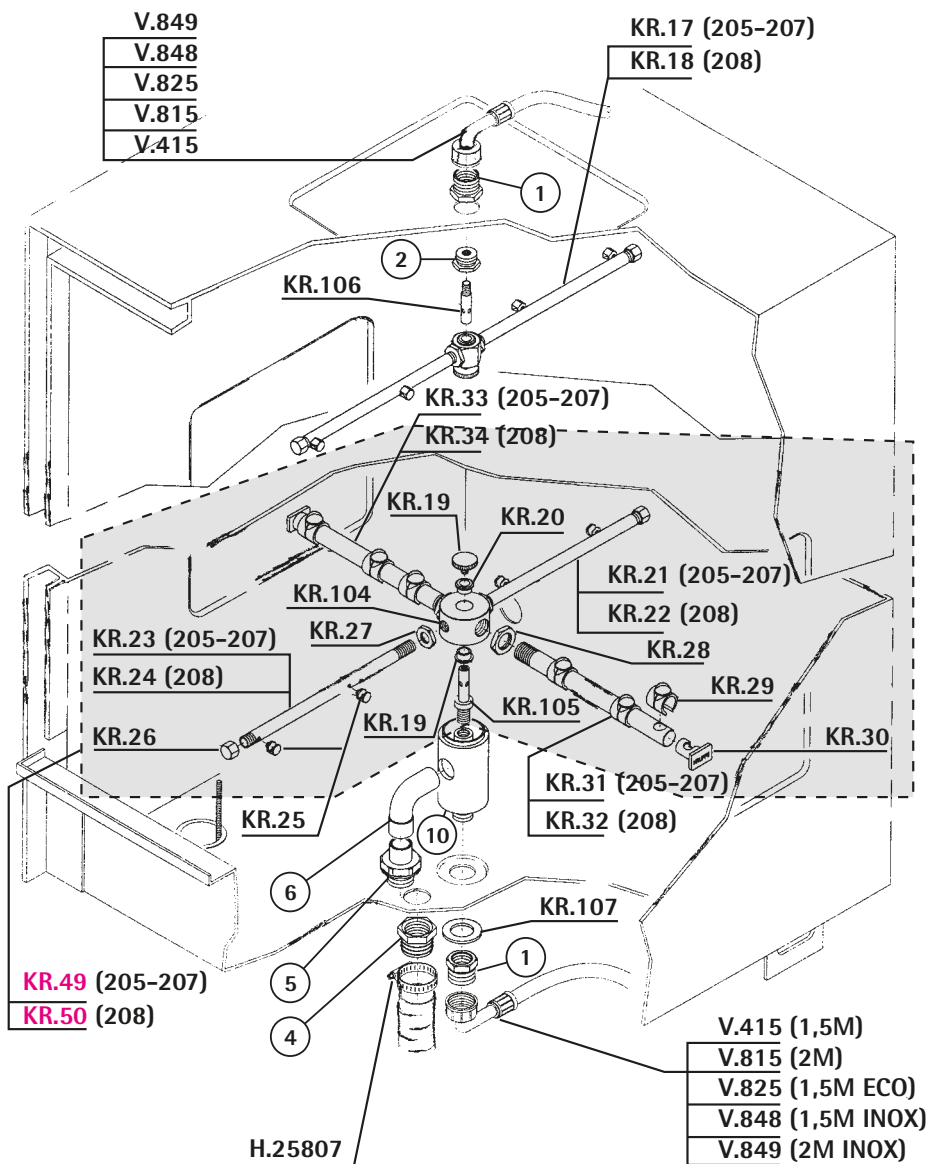
Carrocería KORAL 205 - 206 - 207 - 208 - 209 - 210 - 500 - 600 - 800	KORAL 205 - 206 - 207 - 208 - 209 - 210 - 500 - 600 - 800 Bodywork	1247
Carrocería KORAL 1200	KORAL 1200 Bodywork	1248
Lavado / Aclarado KORAL 205- 207 - 208	KORAL 205 - 207 - 208 Rinse / Wash	1249
Lavado / Aclarado KORAL 206 - 209 - 210 - 500 - 600	KORAL 206 - 209 - 210 - 500 - 600 Rinse / Wash	1250
Lavado / Aclarado KORAL 800	KORAL 800 Rinse / Wash	1251
Lavado / Aclarado K1200	K1200 Rinse / Washimg	1252
Cuba / Calderín KORAL 205 - 207 - 208	KORAL 205 - 207 - 208 Boiler / Tank	1253
Cuba / Calderín KORAL 206 - 209	KORAL 206 - 209 Boiler / Tank	1254
Cuba / Calderín KORAL 210 - 500	KORAL 210 - 500 Boiler / Tank	1255
Cuba / Calderín KORAL 600	KORAL 600 Boiler / Tank	1256
Cuba / Calderín KORAL 800	KORAL 800 Boiler / Tank	1257
Motor / Filtro / Resistencia K1200	K1200 Resistance / Filter / Motor	1258
Componentes eléctricos KORAL 205 -206 - 207 - 208 - 209 - 210 - 500 - 600 - 800	KORAL 205 -206 - 207 - 208 - 209 - 210 - 500 - 600 - 800 Electric components	1259
Componentes eléctricos K1200	K1200 Electric components	1260
Cestas KORAL 205 - 206 - 207 - 208 - 209 - 210	KORAL 205 - 206 - 207 - 208 - 209 - 210 Baskets	1261
Cestas KORAL 500 - 600 - 800 -1200	KORAL 500 - 600 - 800 - 1200 Baskets	1262

REF.	DESCRIPCIÓN	DESCRIPTION
KR...1	PIE REGULABLE	ADJUSTABLE FOOT
KR...2	IMAN PUERTA	DOOR MAGNET
KR...3	BISAGRA	HINGE
KR...4	PERMO	BOLT
KR...5	TORNILLO	SCREW
KR...6	ARANDELA	WASHER
KR...7	TUERCA	NUT

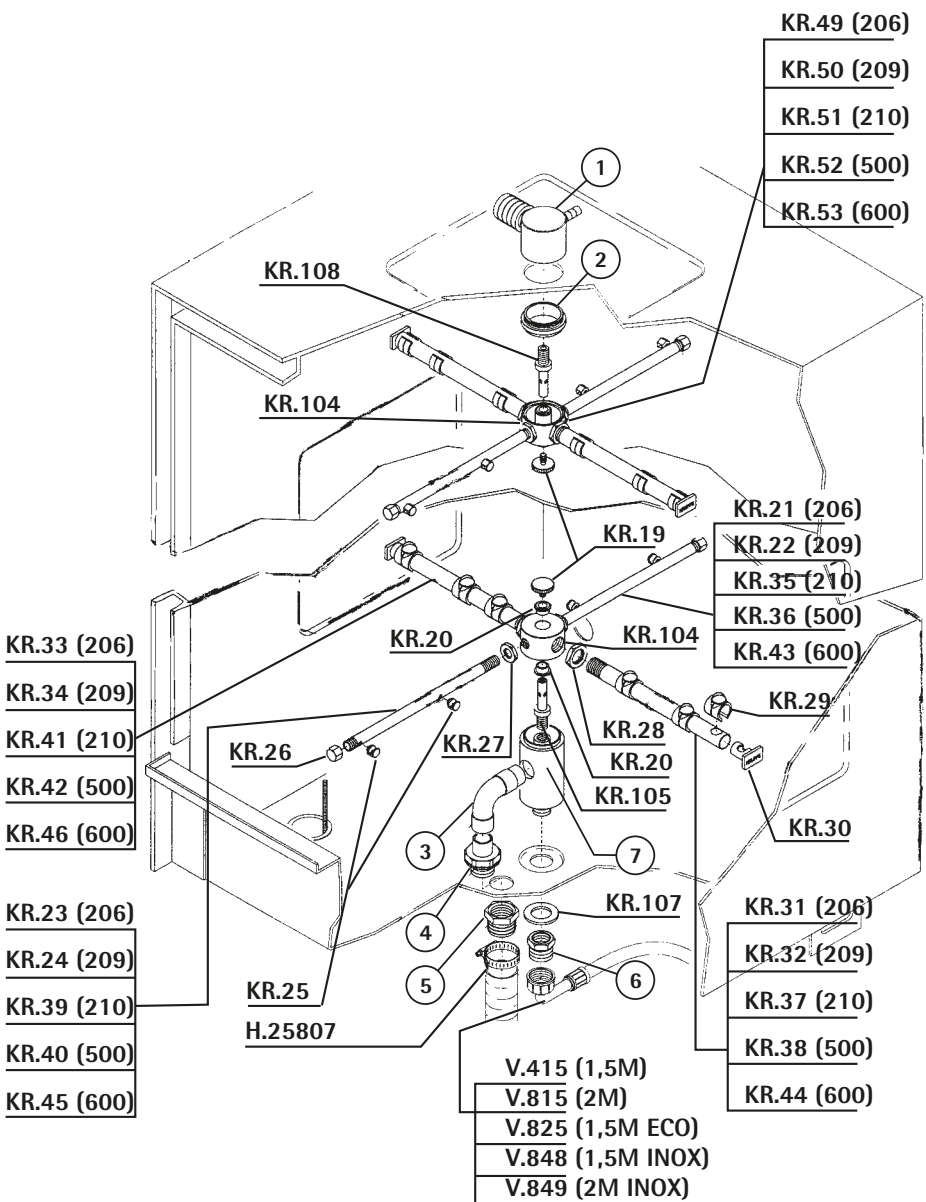


REF.	DESCRIPCIÓN	DESCRIPTION
KR...5	TORNILLO	SCREW
KR...7	TUERCA	NUT
KR.115	BOTONERA	DOSING DEVICE



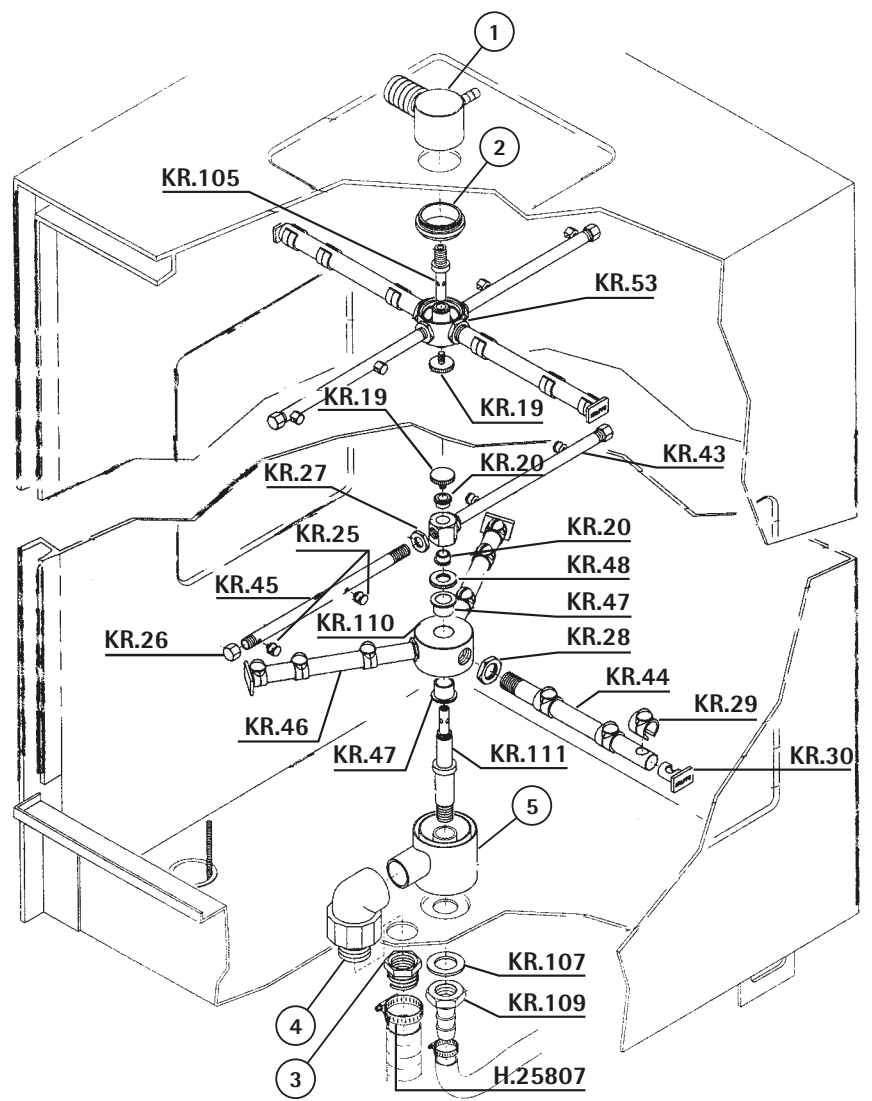


REF.	DESCRIPCIÓN	DESCRIPTION
H25807	ABRAZADERA 25-40	25-40 CLAMP
KR..17	ARBOL ACLARADO 205/207	205/207 RINSE ARM
KR..18	ARBOL ACLARADO 208	208 RINSE ARM
KR..19	TAPON INOX	INOX LID
KR..20	CASQUILLO	CAP
KR..21	TUBO ACLARADO DERECHO 205-207	205-207 RIGHT RINSE PIPE
KR..22	TUBO ACLARADO DERECHO 208-209	208-209 RIGHT RINSE PIPE
KR..23	TUBO ACLARADO IZQ. 205-207	205-207-206 LEFT RINSE PIPE
KR..24	TUBO ACLARADO IZQ. 208-209	208-209 LEFT RINSE PIPE
KR..25	DIFUSOR ACLARADO	RINSE DIFUSER
KR..26	TAPON TUBO ACLARADO	RINSE PIPE CAP
KR..27	TUERCA	NUT
KR..28	TUERCA	NUT
KR..29	DIFUSOR LAVADO	WASH DIFUSER
KR..30	TAPON TUBO LAVADO	WASH PIPE LID
KR..31	TUBO LAVADO DER. 205-207-206	205-207-206 RIGHT WASH PIPE
KR..32	TUBO LAVADO DERECHO 208	208 RIGHT WASH PIPE
KR..33	TUBO LAVADO IZQ. 205-207-206	205-207-206 LEFT WASH PIPE
KR..34	TUBO LAVADO IZQ. 208	208 LEFT WASH PIPE
KR..49	TIRANTE LAVADO-ACLARADO 206	206 WASH-RINSE GYRATORY
KR..50	TIRANTE LAVADO-ACLAR. 208/209	209 WASH-RINSE GYRATORY
KR.104	CRUCETA	CROSSHEAD
KR.105	EJE	ROD
KR.106	EJE	ROD
KR.107	ARANDELA	WASHER
V.415	TOMA LAVADORA 1,5M	QUALITY 1.5M.INLET W.FLEX
V.815	TOMA LAVADORA 2 METROS	2 MT.INLET WATER FLEXIBLE
V.825	TOMA LAVADORA 1.5 "ECO"	"ECO"1.5M INLET WA.FLEXIB
V.848	TOMA LAVADORA 1.5M INOX	INOX 1.5M INLET WATER FL.
V.849	TOMA LAV.INOX 2MT.3/4X3/4	INOX 2MT.INLET WATER FLE.

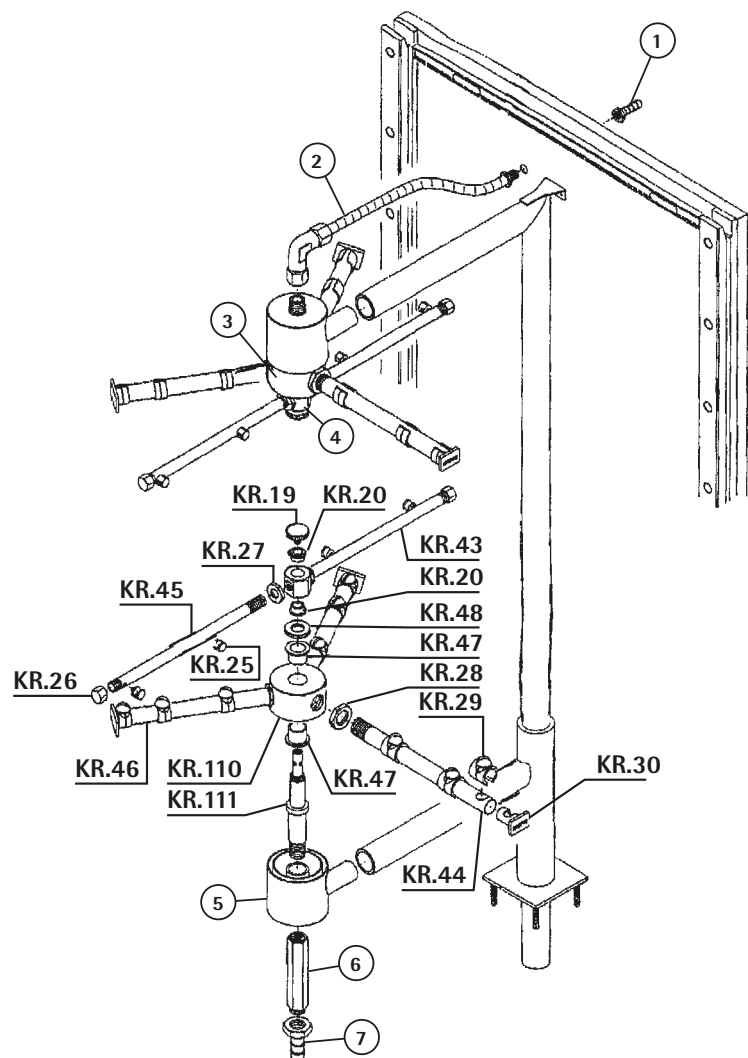


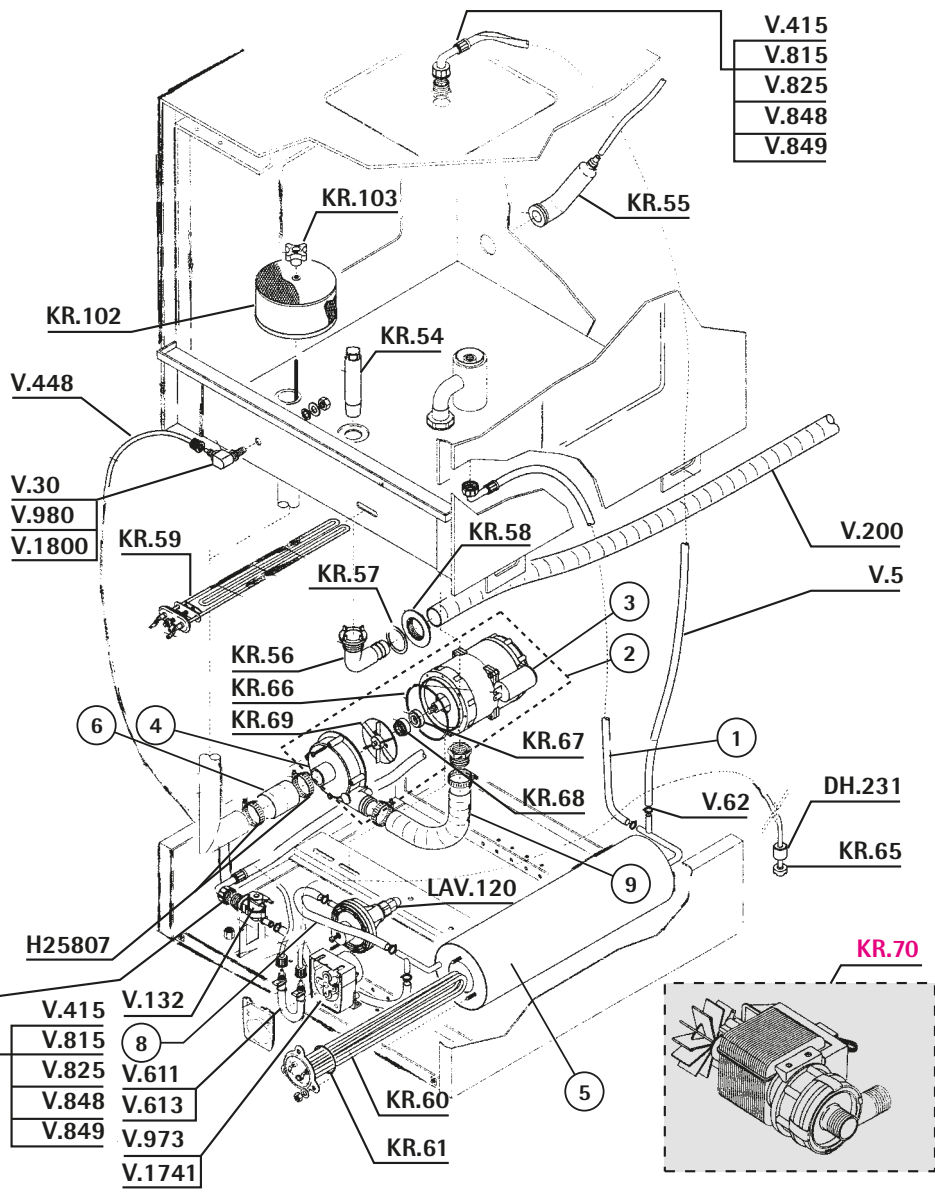
REF.	DESCRIPCIÓN	DESCRIPTION
H25807	ABRAZADERA 25-40	25-40 CLAMP
KR..19	TAPON INOX	INOX LID
KR..20	CASQUILLO	CAP
KR..21	TUBO ACLARADO DERECHO 205-207	205-207 RIGHT RINSE PIPE
KR..22	TUBO ACLARADO DERECHO 208-209	208-209 RIGHT RINSE PIPE
KR..23	TUBO ACLARADO IZQ. 205-207	205-207-206 LEFT RINSE PIPE
KR..24	TUBO ACLARADO IZQ. 208-209	208-209 LEFT RINSE PIPE
KR..25	DIFUSOR ACLARADO	RINSE DIFUSER
KR..26	TAPON TUBO ACLARADO	RINSE PIPE CAP
KR..27	TUERCA	NUT
KR..28	TUERCA	NUT
KR..29	DIFUSOR LAVADO	WASH DIFUSER
KR..30	TAPON TUBO LAVADO	WASH PIPE LID
KR..31	TUBO LAVADO DER. 205-207-206	205-207-206 RIGHT WASH PIPE
KR..32	TUBO LAVADO DERECHO 208	208 RIGHT WASH PIPE
KR..33	TUBO LAVADO IZQ. 206	206 LEFT WASH PIPE
KR..34	TUBO LAVADO IZQ. 208	208 LEFT WASH PIPE
KR..35	TUBO ACLARADO DERECHO 210	210 RIGHT RINSE PIPE
KR..36	TUBO ACLARADO DERECHO 500	500 RIGHT RINSE PIPE
KR..37	TUBO LAVADO DERECHO 210	210 RIGHT WASH PIPE
KR..38	TUBO LAVADO DERECHO 500	500 RIGHT WASH PIPE
KR..39	TUBO ACLARADO IZQUIERDO 210	210 LEFT RINSE PIPE
KR..40	TUBO ACLARADO IZQ. 500	500 LEFT RINSE PIPE
KR..41	TUBO LAVADO IZQ. 210	210 LEFT WASH PIPE
KR..42	TUBO LAVADO IZQ. 500	500 LEFT WASH PIPE
KR..43	TUBO ACLARADO DERECHO 600-800	600-800 RIGHT RINSE PIPE
KR..44	TUBO LAVADO DERECHO 600-800	600-800 RIGHT WASH PIPE
KR..45	TUBO ACLARADO IZQ. 600-800	600-800 LEFT RINSE PIPE
KR..46	TUBO LAVADO IZQ. 600-800	600-800 LEFT WASH PIPE
KR..49	TIRANTE LAVADO-ACLARADO 206	206 WASH-RINSE GYRATORY
KR..50	TIRANTE LAVADO-ACLAR. 208/209	209 WASH-RINSE GYRATORY
KR..51	TIRANTE LAVADO-ACLARADO 210	210 WASH-RINSE GYRATORY
KR..52	TIRANTE LAVADO-ACLARADO 500	500 LAVAGE-RINCAGE GYRATORY
KR..53	TIRANTE LAVAD-ACLARADO 600-800	600-800 WASH-RISSE GYRATORY
KR.104	CRUCETA	CROSSHEAD
KR.105	EJE	ROD
KR.107	ARANDELA	WASHER
KR.108	EJE SUPERIOR	UPPER ROD
V.415	TOMA LAVADORA 1,5M	QUALITY 1.5M.INLET W.FLEX
V.815	TOMA LAVADORA 2 METROS	2 MT.INLET WATER FLEXIBLE
V.825	TOMA LAVADORA 1.5 "ECO"	"ECO"1.5M INLET WA.FLEXIB
V.848	TOMA LAVADORA 1.5M INOX	INOX 1.5M INLET WATER FL.
V.849	TOMA LAV.INOX 2MT.3/4X3/4	INOX 2MT.INLET WATER FLE.

REF.	DESCRIPCIÓN	DESCRIPTION
H25807	ABRAZADERA 25-40	25-40 CLAMP
KR..19	TAPON INOX	INOX LID
KR..20	CASQUILLO	CAP
KR..25	DIFUSOR ACLARADO	RINSE DIFUSER
KR..26	TAPON TUBO ACLARADO	RINSE PIPE CAP
KR..27	TUERCA	NUT
KR..28	TUERCA	NUT
KR..29	DIFUSOR LAVADO	WASH DIFUSER
KR..30	TAPON TUBO LAVADO	WASH PIPE LID
KR..43	TUBO ACLARADO DERECHO 600-800	600-800 RIGHT RINSE PIPE
KR..44	TUBO LAVADO DERECHO 600-800	600-800 RIGHT WASH PIPE
KR..45	TUBO ACLARADO IZQ. 600-800	600-800 LEFT RINSE PIPE
KR..46	TUBO LAVADO IZQ. 600-800	600-800 LEFT WASH PIPE
KR..47	CASQUILLO	CAP
KR..48	TUERCA	NUT
KR..53	TIRANTE LAVAD-ACLARADO 600-800	600-800 WASH-RISSE GYRATORY
KR.105	EJE	ROD
KR.107	ARANDELA	WASHER
KR.109	RACOR	FITTING
KR.110	CRUCETA	CROSSHEAD
KR.111	EJE	ROD

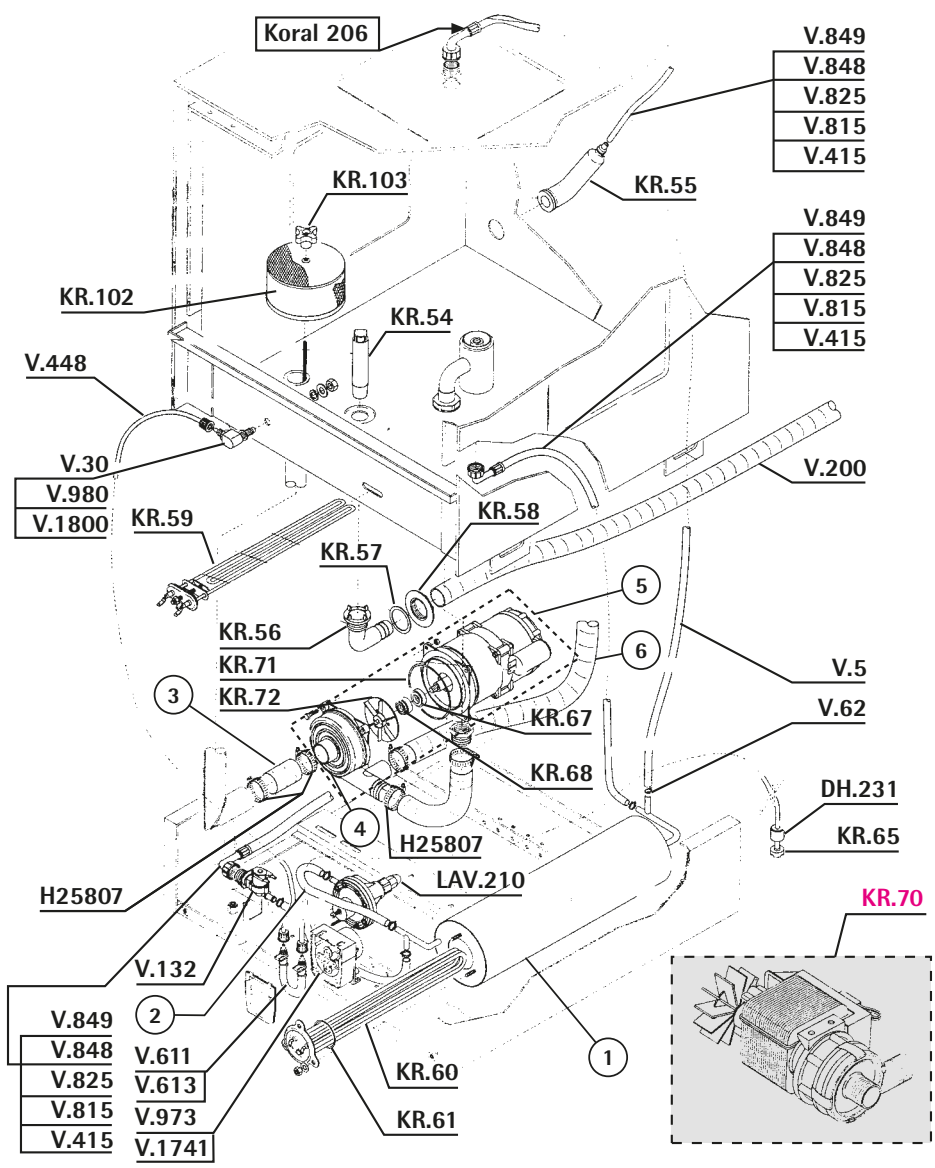


REF.	DESCRIPCIÓN	DESCRIPTION
KR..19	TAPON INOX	INOX LID
KR..20	CASQUILLO	CAP
KR..25	DIFUSOR ACLARADO	RINSE DIFUSER
KR..26	TAPON TUBO ACLARADO	RINSE PIPE CAP
KR..27	TUERCA	NUT
KR..28	TUERCA	NUT
KR..29	DIFUSOR LAVADO	WASH DIFUSER
KR..30	TAPON TUBO LAVADO	WASH PIPE LID
KR..43	TUBO ACLARADO DERECHO 600-800	600-800 RIGHT RINSE PIPE
KR..44	TUBO LAVADO DERECHO 600-800	600-800 RIGHT WASH PIPE
KR..45	TUBO ACLARADO IZQ. 600-800	600-800 LEFT RINSE PIPE
KR..46	TUBO LAVADO IZQ. 600-800	600-800 LEFT WASH PIPE
KR..47	CASQUILLO	CAP
KR..48	TUERCA	NUT
KR.110	CRUCETA	CROSSHEAD
KR.111	EJE	ROD



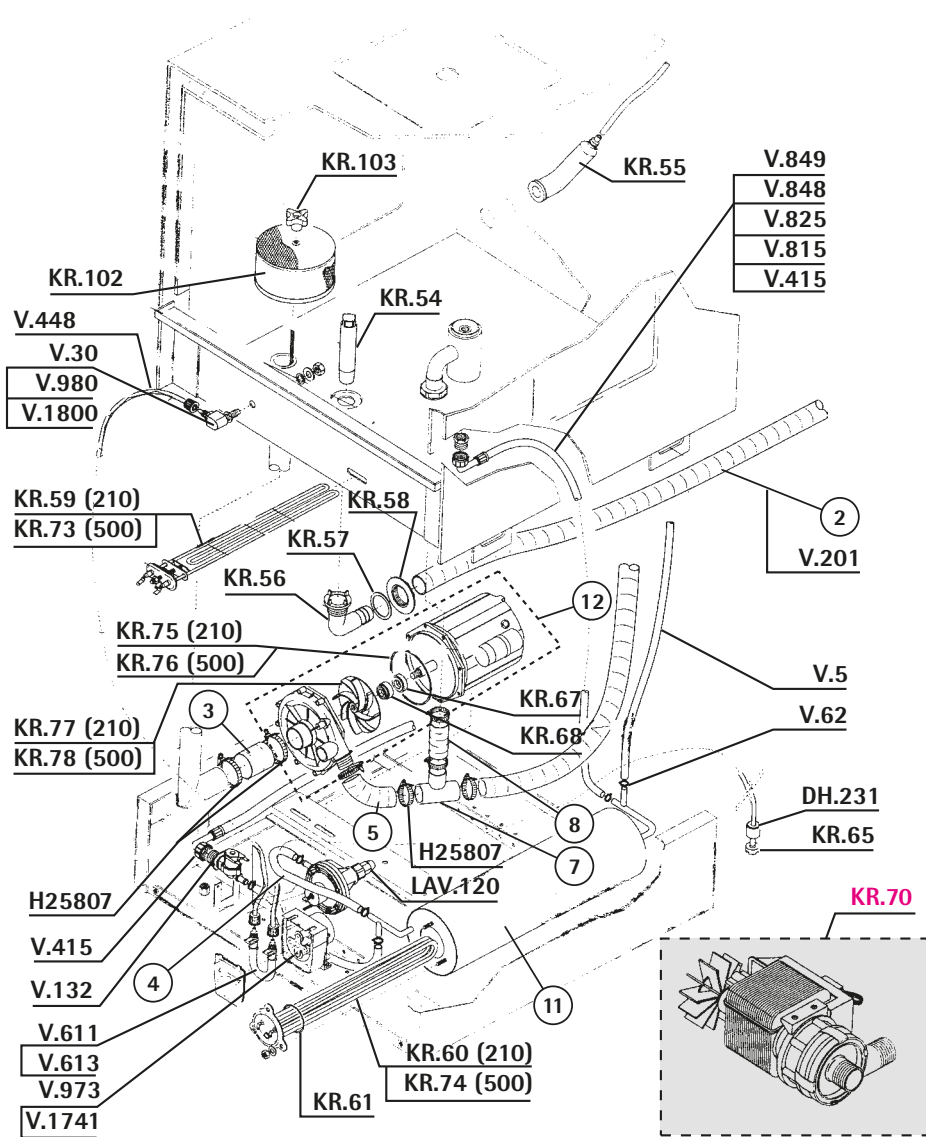


REF.	DESCRIPCIÓN	DESCRIPTION
DH.231	PESO FILTRO	FILTER FITTING
H25807	ABRAZADERA 25-40	25-40 CLAMP
KR..54	TUBO REBOSADERO	OVERFLOW PIPE
KR..55	CAMARA PRESOSTATICA	PRESSURE SWITCH CHAMBER
KR..56	CODO REBOSADERO	OVERFLOW ELBOW
KR..57	JUNTA PLANA	PLANE GASKET
KR..58	JUNTA LATON	BRASS GASKET
KR..59	RESISTENCIA CUBA 1800W	1800W TANK RESISTANCE
KR..60	RESISTENCIA CALDERIN 1800W	1800W BOILER RESISTANCE
KR..61	JUNTA RESISTENCIA	RESISTANCE GASKET
KR..65	FILTRO	FILTER
KR..66	JUNTA MOTOR	MOTOR GASKET
KR..67	RETEN	MECHANICAL REAL
KR..68	COJINETE	BALL BEARING
KR..69	GIRANTE BOMBA	PUMP GYRATORY
KR..70	BOMBA DESAGÜE	OUTLET PUMP
KR.102	FILTRO	FILTER
KR.103	POMO	HANDLE
LAV120	DOSIFICADOR ABRILLANTADOR	RINSE AID DOSIMETER
V....5	TUBO GOMA 10X16 20 ATM	20ATM 10X17 RUBBER PIPE
V..30	RACOR ENTRADA JABON	INLET SOAP FITTING
V..62	ABRAZADERA 12-20	12-20 CLAMP
V..132	ELECTROVAL.1 VIA LAV.220V	WASH 1 WAY 220V SOLENOID
V..200	TUBO DESAGÜE 17mm 1,8mt	17mm. 1.8mt OUTLET PIPE
V..415	TOMA LAVADORA 1,5M	QUALITY 1.5M.INLET W.FLEX
V..448	TUBO PRESOSTATO-METRO 4X6	4X6 PRE.SWITCH INLET PIPE
V..611	TUBO INTERIOR DOS.PER. JABON	INLET PIPE
V..613	TUBO INTERIOR DOS.PER.ABRILLAN	RINS.AID INSIDE PIPE
V..815	TOMA LAVADORA 2 METROS	2 MT.INLET WATER FLEXIBLE
V..825	TOMA LAVADORA 1.5 "ECO"	"ECO"1.5M INLET WA.FLEXIB
V..848	TOMA LAVADORA 1.5M INOX	INOX 1.5M INLET WATER FL.
V..849	TOMA LAV.INOX 2MT.3/4X3/4	INOX 2MT.INLET WATER FLE.
V..973	DOSIFICADOR PERISTALTICO INTER	INTERNAL PERISTALTIC DOS.
V..980	RACOR ENTRADA JABON LARGO	LONG INLET FITTING
V.1741	DOSIF.ABRILL.INTERNO 230V AC	230Vac INTERNAL RINSE DOSIMET
V.1800	RACOR ENTRADA JABON METALICO	METALIC DETER.INLET FITTING

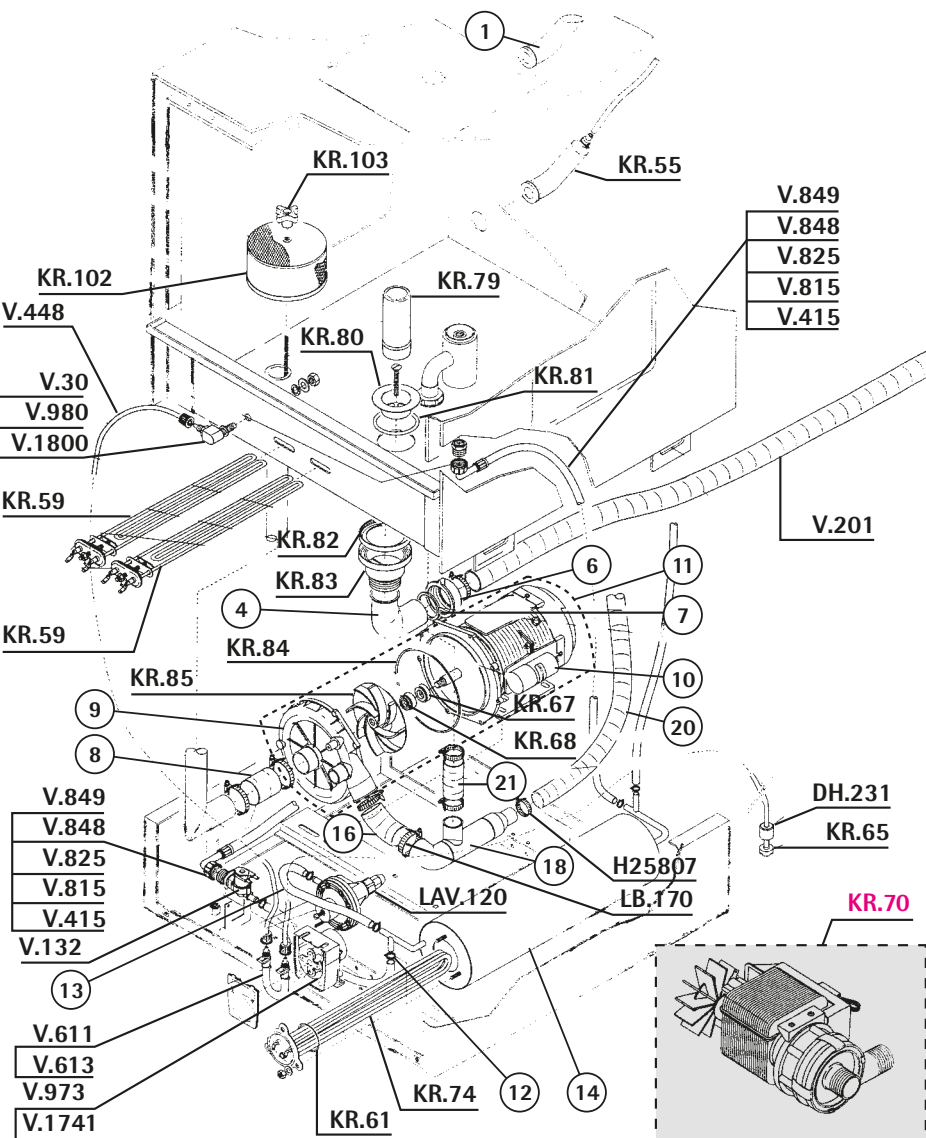


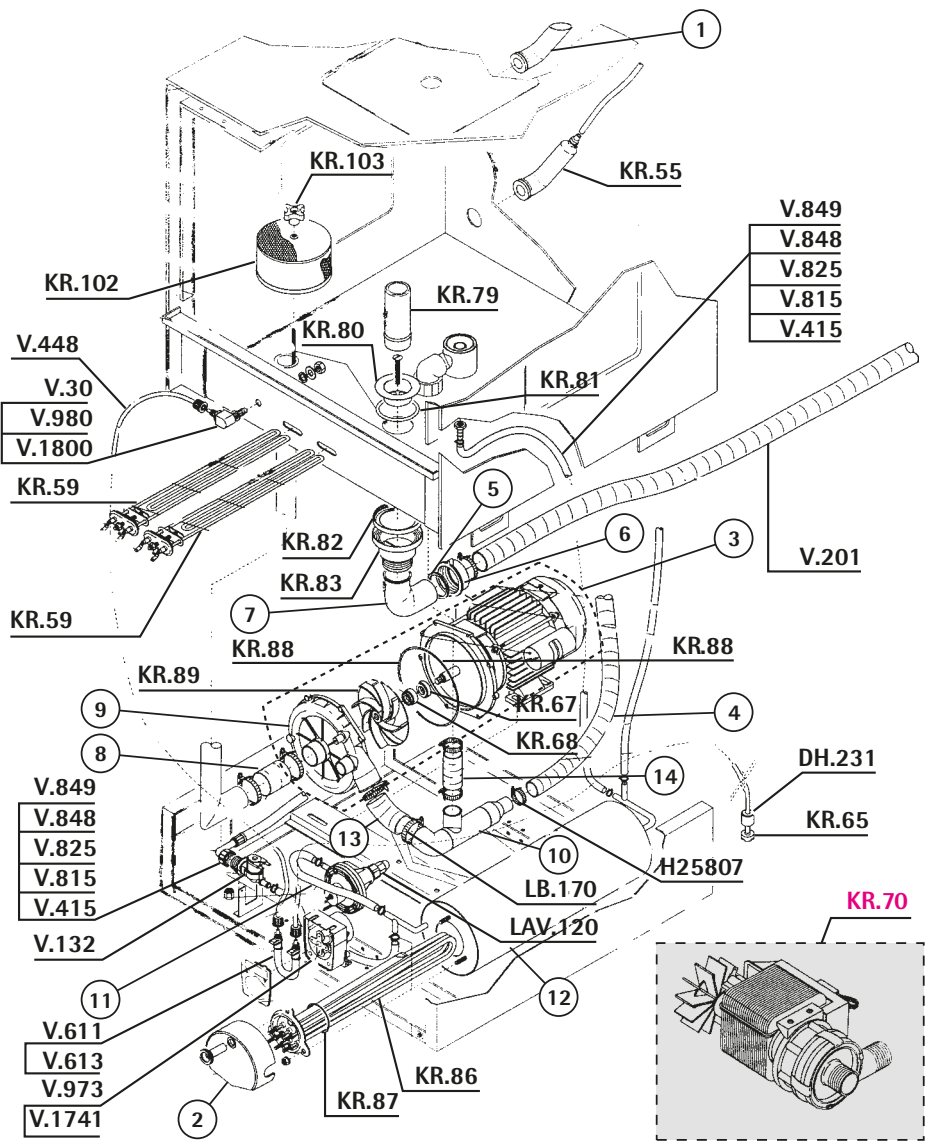
REF.	DESCRIPCIÓN	DESCRIPTION
DH.231	PESO FILTRO	FILTER FITTING
H25807	ABRAZADERA 25-40	25-40 CLAMP
KR..54	TUBO REBOSADERO	OVERFLOW PIPE
KR..55	CAMARA PRESOSTATICA	PRESSURE SWITCH CHAMBER
KR..56	CODO REBOSADERO	OVERFLOW ELBOW
KR..57	JUNTA PLANA	PLANE GASKET
KR..58	JUNTA LATON	BRASS GASKET
KR..59	RESISTENCIA CUBA 1800W	1800W TANK RESISTANCE
KR..60	RESISTENCIA CALDERIN 1800W	1800W BOILER RESISTANCE
KR..61	JUNTA RESISTENCIA	RESISTANCE GASKET
KR..65	FILTRO	FILTER
KR..67	RETEN	MECHANICAL REAL
KR..68	COJINETE	BALL BEARING
KR..70	BOMBA DESAGÜE	OUTLET PUMP
KR..71	JUNTA MOTOR	MOTOR GASKET
KR..72	GIRANTE BOMBA	PUMP GYRATORY
KR.102	FILTRO	FILTER
KR.103	POMO	HANDLE
LAV120	DOSIFICADOR ABRILLANTADOR	RINSE AID DOSIMETER
V....5	TUBO GOMA 10X16 20 ATM	20ATM 10X17 RUBBER PIPE
V..30	RACOR ENTRADA JABON	INLET SOAP FITTING
V..62	ABRAZADERA 12-20	12-20 CLAMP
V..132	ELECTROVAL.1 VIA LAV.220V	WASH 1 WAY 220V SOLENOID
V..200	TUBO DESAGÜE 17mm 1,8mt	17mm. 1.8mt OUTLET PIPE
V..415	TOMA LAVADORA 1,5M	QUALITY 1.5M.INLET W.FLEX
V..448	TUBO PRESOSTATO-METRO 4X6	4X6 PRE.SWITCH INLET PIPE
V..611	TUBO INTERIOR DOS.PER. JABON	INLET PIPE
V..613	TUBO INTERIOR DOS.PER.ABRILLAN	RINS.AID INSIDE PIPE
V..815	TOMA LAVADORA 2 METROS	2 MT.INLET WATER FLEXIBLE
V..825	TOMA LAVADORA 1.5 "ECO"	"ECO"1.5M INLET WA.FLEXIB
V..848	TOMA LAVADORA 1.5M INOX	INOX 1.5M INLET WATER FL.
V..849	TOMA LAV.INOX 2MT.3/4X3/4	INOX 2MT.INLET WATER FLE.
V..973	DOSIFICADOR PERISTALTICO INTER	INTERNAL PERISTALTIC DOS.
V..980	RACOR ENTRADA JABON LARGO	LONG INLET FITTING
V.1741	DOSIF.ABRILL.INTERNO 230V AC	230Vac INTERNAL RINSE DOSIMET
V.1800	RACOR ENTRADA JABON METALICO	METALIC DETER.INLET FITTING

REF.	DESCRIPCIÓN	DESCRIPTION
DH.231	PESO FILTRO	FILTER FITTING
H25807	ABRAZADERA 25-40	25-40 CLAMP
KR..54	TUBO REBOSADERO	OVERFLOW PIPE
KR..55	CAMARA PRESOSTATICA	PRESSURE SWITCH CHAMBER
KR..56	CODO REBOSADERO	OVERFLOW ELBOW
KR..57	JUNTA PLANA	PLANE GASKET
KR..58	JUNTA LATON	BRASS GASKET
KR..59	RESISTENCIA CUBA 1800W	1800W TANK RESISTANCE
KR..60	RESISTENCIA CALDERIN 1800W	1800W BOILER RESISTANCE
KR..61	JUNTA RESISTENCIA	RESISTANCE GASKET
KR..65	FILTRO	FILTER
KR..67	RETEN	MECHANICAL REAL
KR..68	COJINETE	BALL BEARING
KR..70	BOMBA DESAGÜE	OUTLET PUMP
KR..73	RESISTENCIA 2300W	RESISTANCE 2300W
KR..74	RESISTENCIA 3300W	RESISTANCE 3000W
KR..75	JUNTA MOTOR 210	210 MOTOR GASKET
KR..76	JUNTA MOTOR 500	500 MOTOR GASKET
KR..77	GIRANTE BOMBA 210	210 PUMP GYRATORY
KR..78	GIRANTE BOMBA 500	500 PUMP GYRATORY
KR.102	FILTRO	FILTER
KR.103	POMO	HANDLE
LAV120	DOSIFICADOR ABRILLANTADOR	RINSE AID DOSIMETER
V....5	TUBO GOMA 10X16 20 ATM	20ATM 10X17 RUBBER PIPE
V...30	RACOR ENTRADA JABON	INLET SOAP FITTING
V...62	ABRAZADERA 12-20	12-20 CLAMP
V..132	ELECTROVAL.1 VIA LAV.220V	WASH 1 WAY 220V SOLENOID
V..201	TUBO DESAGÜE 28mm. 1,5mt.	28mm. 1.5mt OUTLET PIPE
V..415	TOMA LAVADORA 1,5M	QUALITY 1.5M.INLET W.FLEX
V..448	TUBO PRESOSTATO-METRO 4X6	4X6 PRE.SWITCH INLET PIPE
V..611	TUBO INTERIOR DOS.PER. JABON	INLET PIPE
V..613	TUBO INTERIOR DOS.PER.ABRILLAN	RINS.AID INSIDE PIPE
V..815	TOMA LAVADORA 2 METROS	2 MT.INLET WATER FLEXIBLE
V..825	TOMA LAVADORA 1.5 "ECO"	"ECO"1.5M INLET WA.FLEXIB
V..848	TOMA LAVADORA 1.5M INOX	INOX 1.5M INLET WATER FL.
V..849	TOMA LAV.INOX 2MT.3/4X3/4	INOX 2MT.INLET WATER FLE.
V..973	DOSIFICADOR PERISTALTICO INTER	INTERNAL PERISTALTIC DOS.
V..980	RACOR ENTRADA JABON LARGO	LONG INLET FITTING
V.1741	DOSIF.ABRILL.INTERNO 230V AC	230Vac INTERNAL RINSE DOSIMET
V.1800	RACOR ENTRADA JABON METALICO	METALIC DETER.INLET FITTING



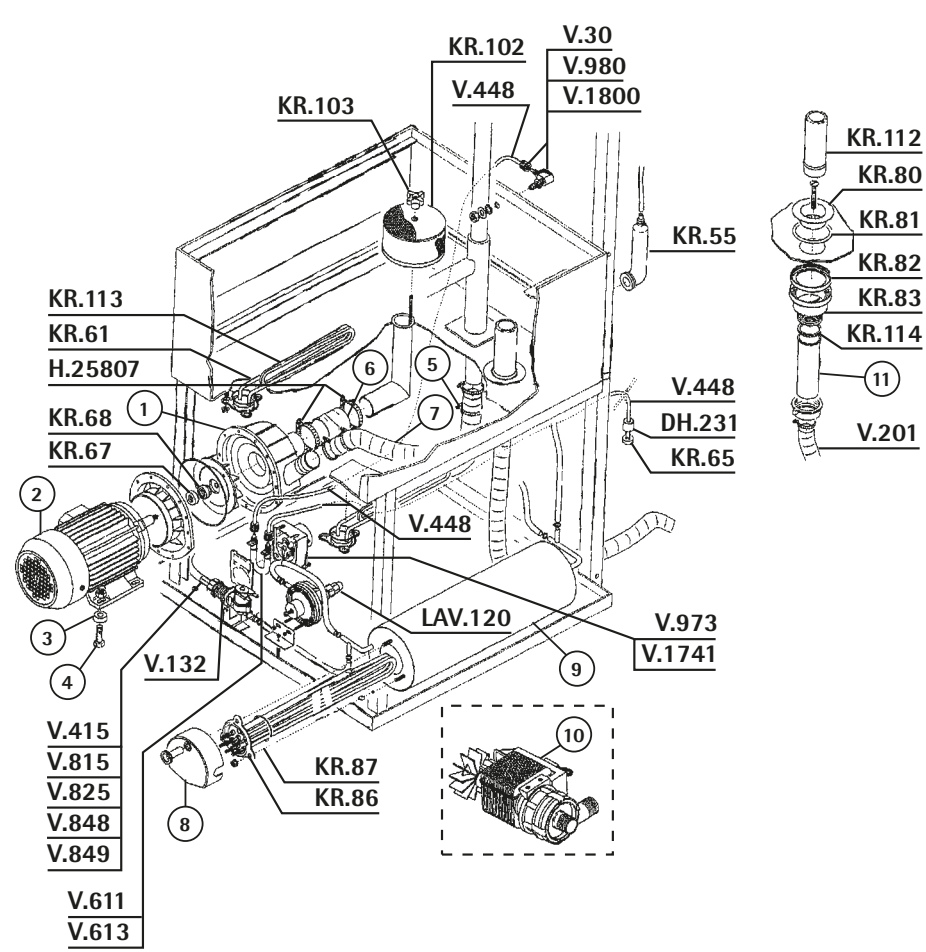
REF.	DESCRIPCIÓN	DESCRIPTION
DH.231	PESO FILTRO	FILTER FITTING
H25807	ABRAZADERA 25-40	25-40 CLAMP
KR..55	CAMARA PRESOSTATICA	PRESSURE SWITCH CHAMBER
KR..59	RESISTENCIA CUBA 1800W	1800W TANK RESISTANCE
KR..61	JUNTA RESISTENCIA	RESISTANCE GASKET
KR..65	FILTRO	FILTER
KR..67	RETEN	MECHANICAL REAL
KR..68	COJINETE	BALL BEARING
KR..70	BOMBA DESAGÜE	OUTLET PUMP
KR..74	RESISTENCIA 3300W	RESISTANCE 3000W
KR..79	TUBO REBOSADERO	OVERFLOW PIPE
KR..80	PILETA INOX	INOX COLLECTOR
KR..81	JUNTA	GASKET
KR..82	JUNTA PLANA	PLANE GASKET
KR..83	RACOR	FITTING
KR..84	JUNTA MOTOR	MOTOR GASKET
KR..85	GIRANTE BOMBA	PUMP GYRATORY
KR.102	FILTRO	FILTER
KR.103	POMO	HANDLE
LAV120	DOSIFICADOR ABRILLANTADOR	RINSE AID DOSIMETER
LB.170	ABRAZADERA 40-60	40-60 CLAMP
V...30	RACOR ENTRADA JABON	INLET SOAP FITTING
V..132	ELECTROVAL.1 VIA LAV.220V	WASH 1 WAY 220V SOLENOID
V..201	TUBO DESAGÜE 28mm. 1,5mt.	28mm. 1.5mt OUTLET PIPE
V..415	TOMA LAVADORA 1,5M	QUALITY 1.5M.INLET W.FLEX
V..448	TUBO PRESOSTATO-METRO 4X6	4X6 PRE.SWITCH INLET PIPE
V..611	TUBO INTERIOR DOS.PER. JABON	INLET PIPE
V..613	TUBO INTERIOR DOS.PER.ABRILLAN	RINS.AID INSIDE PIPE
V..815	TOMA LAVADORA 2 METROS	2 MT.INLET WATER FLEXIBLE
V..825	TOMA LAVADORA 1.5 "ECO"	"ECO"1.5M INLET WA.FLEXIB
V..848	TOMA LAVADORA 1.5M INOX	INOX 1.5M INLET WATER FL.
V..849	TOMA LAV.INOX 2MT.3/4X3/4	INOX 2MT.INLET WATER FLE.
V..973	DOSIFICADOR PERISTALTICO INTER	INTERNAL PERISTALTIC DOS.
V..980	RACOR ENTRADA JABON LARGO	LONG INLET FITTING
V.1741	DOSIF.ABRILL.INTERNO 230V AC	230Vac INTERNAL RINSE DOSIMET
V.1800	RACOR ENTRADA JABON METALICO	METALIC DETER.INLET FITTING





REF.	DESCRIPCIÓN	DESCRIPTION
DH.231	PESO FILTRO	FILTER FITTING
H25807	ABRAZADERA 25-40	25-40 CLAMP
KR..55	CAMARA PRESOSTATICA	PRESSURE SWITCH CHAMBER
KR..59	RESISTENCIA CUBA 1800W	1800W TANK RESISTANCE
KR..65	FILTRO	FILTER
KR..67	RETEN	MECHANICAL REAL
KR..68	COJINETE	BALL BEARING
KR..70	BOMBA DESAGÜE	OUTLET PUMP
KR..79	TUBO REBOSADERO	OVERFLOW PIPE
KR..80	PILETA INOX	INOX COLLECTOR
KR..81	JUNTA	GASKET
KR..82	JUNTA PLANA	PLANE GASKET
KR..83	RACOR	FITTING
KR..86	RESISTENCIA 4500W	4500 W RESISTANCE
KR..87	JUNTA RESISTENCIA	RESISTANCE GASKET
KR..88	JUNTA MOTOR	MOTOR GASKET
KR..89	GIRANTE BOMBA	PUMP GYRATORY
KR.102	FILTRO	FILTER
KR.103	POMO	HANDLE
LAV120	DOSIFICADOR ABRILLANTADOR	RINSE AID DOSIMETER
LB.170	ABRAZADERA 40-60	40-60 CLAMP
V..30	RACOR ENTRADA JABON	INLET SOAP FITTING
V..132	ELECTROVAL.1 VIA LAV.220V	WASH 1 WAY 220V SOLENOID
V.201	TUBO DESAGÜE 28mm. 1,5mt.	28mm. 1.5mt OUTLET PIPE
V.415	TOMA LAVADORA 1,5M	QUALITY 1.5M.INLET W.FLEX
V.448	TUBO PRESOSTATO-METRO 4X6	4X6 PRE.SWITCH INLET PIPE
V.611	TUBO INTERIOR DOS.PER. JABON	INLET PIPE
V.613	TUBO INTERIOR DOS.PER.ABRILLAN	RINS.AID INSIDE PIPE
V.815	TOMA LAVADORA 2 METROS	2 MT.INLET WATER FLEXIBLE
V.825	TOMA LAVADORA 1.5 "ECO"	"ECO"1.5M INLET WA.FLEXIB
V.848	TOMA LAVADORA 1.5M INOX	INOX 1.5M INLET WATER FL.
V.849	TOMA LAV.INOX 2MT.3/4X3/4	INOX 2MT.INLET WATER FLE.
V.973	DOSIFICADOR PERISTALTICO INTER	INTERNAL PERISTALTIC DOS.
V.980	RACOR ENTRADA JABON LARGO	LONG INLET FITTING
V.1741	DOSIF.ABRILL.INTERNO 230V AC	230Vac INTERNAL RINSE DOSIMET
V.1800	RACOR ENTRADA JABON METALICO	METALIC DETER.INLET FITTING

Motor / Filtro / Resistencia K1200 ■ K1200 Resistance / Filter / Motor

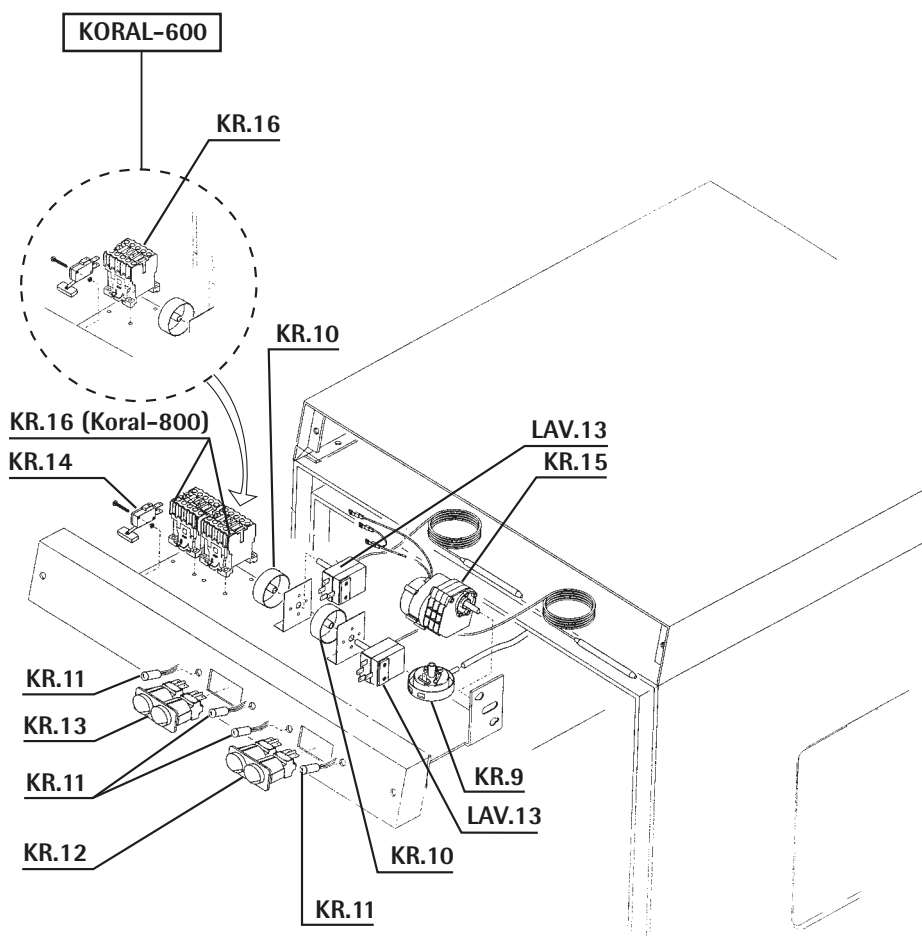


REF.	DESCRIPCIÓN	DESCRIPTION
DH.231	PESO FILTRO	FILTER FITTING
H25807	ABRAZADERA 25-40	25-40 CLAMP
KR..55	CAMARA PRESOSTATICA	PRESSURE SWITCH CHAMBER
KR..61	JUNTA RESISTENCIA	RESISTANCE GASKET
KR..65	FILTRO	FILTER
KR..67	RETEN	MECHANICAL REAL
KR..68	COJINETE	BALL BEARING
KR..80	PILETA INOX	INOX COLLECTOR
KR..81	JUNTA	GASKET
KR..82	JUNTA PLANA	PLANE GASKET
KR..83	RACOR	FITTING
KR..86	RESISTENCIA 4500W	4500 W RESISTANCE
KR..87	JUNTA RESISTENCIA	RESISTANCE GASKET
KR.102	FILTRO	FILTER
KR.103	POMO	HANDLE
KR.112	REBOSADERO	OVERFLOW
KR.113	RESISTENCIA CUBA 1800W	1800W TANK RESISTANCE
KR.114	JUNTA	GASKET
LAV120	DOSIFICADOR ABRILLANTADOR	RINSE AID DOSIMETER
V...30	RACOR ENTRADA JABON	INLET SOAP FITTING
V..132	ELECTROVAL.1 VIA LAV.220V	WASH 1 WAY 220V SOLENOID
V.201	TUBO DESAGÜE 28mm. 1,5mt.	28mm. 1.5mt OUTLET PIPE
V.415	TOMA LAVADORA 1,5M	QUALITY 1.5M.INLET W.FLEX
V.448	TUBO PRESOSTATO-METRO 4X6	4X6 PRE.SWITCH INLET PIPE
V.611	TUBO INTERIOR DOS.PER. JABON	INLET PIPE
V.613	TUBO INTERIOR DOS.PER.ABRILLAN	RINS.AID INSIDE PIPE
V.815	TOMA LAVADORA 2 METROS	2 MT.INLET WATER FLEXIBLE
V.825	TOMA LAVADORA 1.5 "ECO"	"ECO"1.5M INLET WA.FLEXIB
V.848	TOMA LAVADORA 1.5M INOX	INOX 1.5M INLET WATER FL.
V.849	TOMA LAV.INOX 2MT.3/4X3/4	INOX 2MT.INLET WATER FLE.
V.973	DOSIFICADOR PERISTALTICO INTER	INTERNAL PERISTALTIC DOS.
V.980	RACOR ENTRADA JABON LARGO	LONG INLET FITTING
V.1741	DOSIF.ABRILL.INTERNO 230V AC	230Vac INTERNAL RINSE DOSIMET
V.1800	RACOR ENTRADA JABON METALICO	METALIC DETER.INLET FITTING

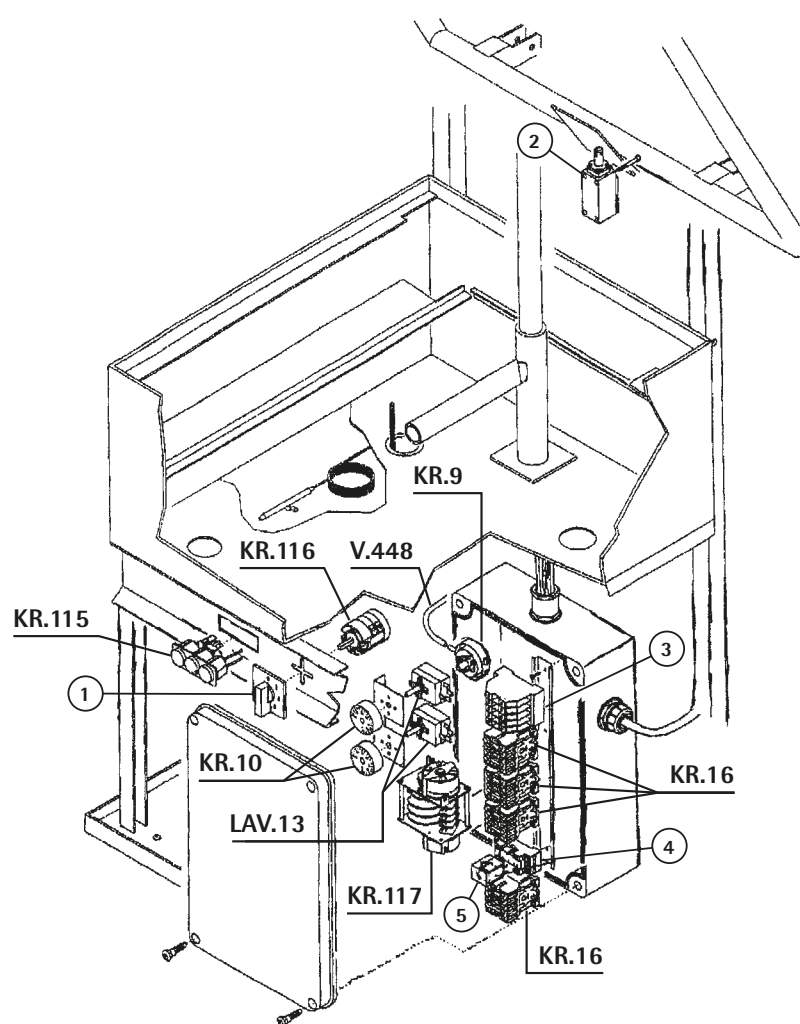
Order our free DVD, include all ours catalogues. More than 50.000 codes.



REF.	DESCRIPCIÓN	DESCRIPTION
KR...9	PRESOSTATO	PRESSURE SWITCH
KR..10	POMO	HANDLE
KR..11	PILOTO	LAMP
KR..12	INTERRUPTOR ACLARADO	SINSE SWITCH
KR..13	INTERRUPTOR ON/OFF	ON/OFF SWITCH
KR..14	MICROINTERRUPTOR	MICROSWITCH
KR..15	TIMER 120 SEG.	120 SEC. TIMER
KR..16	CONTACTOR 10 A	10 A CONTACTOR
LAV.13	TERMOSTATO CALDERIN 90°	90° BOILER THERMOSTAT



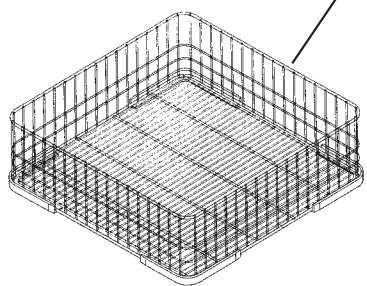
REF.	DESCRIPCIÓN	DESCRIPTION
KR...9	PRESOSTATO	PRESSURE SWITCH
KR..10	POMO	HANDLE
KR..16	CONTACTOR 10 A	10 A CONTACTOR
KR.115	BOTONERA	DOSING DEVICE
KR.116	INTERRUPTOR	SWITCH
KR.117	PROGRAMADOR	TIMER
LAV.13	TERMOSTATO CALDERIN 90°	90° BOILER THERMOSTAT
V..448	TUBO PRESOSTATO-METRO 4X6	4X6 PRE.SWITCH INLET PIPE



WL.3510 (36 x 36 cm 205-206-207)

WL.3511 (40 x 40 cm 208-209)

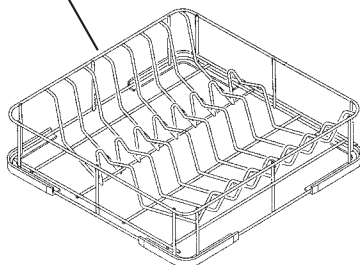
WL.3512 (45 x 45 cm 210)



V.80 (36 x 36 cm 205-206-207)

V.29 (40 x 40 cm 208-209)

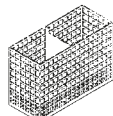
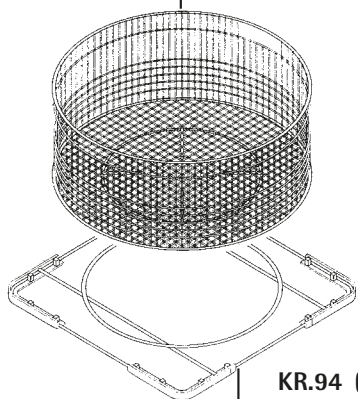
WL.3520 (45 x 45 cm 210)



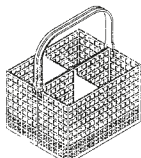
KR.93 (205-206-207)

KR.96 (208-209)

KR.99 (210)



V.32

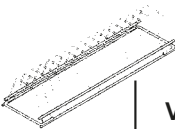


V.526

KR.94 (205-206-207)

KR.97 (208-209)

KR.100 (210)



V.173 (30 cm)

V.964 (36 cm)

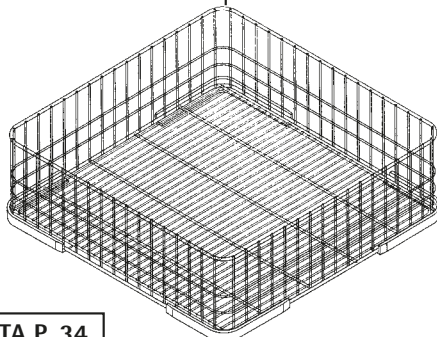
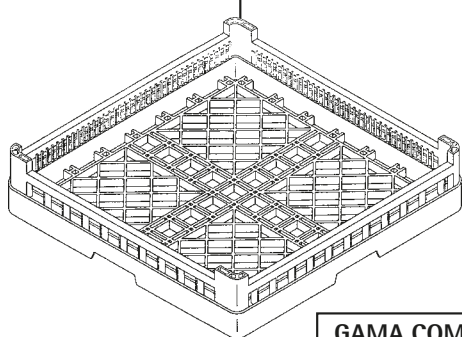
V.175 (42 cm)

REF.	DESCRIPCIÓN	DESCRIPTION
KR..93	SERVIR V.2470	D.35 X 17 RACK
KR..94	SOPORTE 35 X 35	35 X 35 SUPPORT
KR..96	SERVIR V.2474	D. 39 X 17 SUPPORT
KR..97	SOPORTE 40 X 40	40 X 40 SUPPORT
KR..99	CESTA DIM. 45 X 17	D. 45 X 17 BASKET
KR.100	SOPORTE 45 X 45	45 X 45 SUPPORT
V...29	CESTO CUADRO PLATOS 40x40	40X40 SQUARE PLATE BASKET
V...32	CESTO CUCHARAS PLASTICO	PLASTIC SPOON BASKET
V...80	CESTO CUADRO PLATOS 36x36	36X36 DISH BASKET
V..173	INSERTO PLATOS 30CMT.	30CMT DISHES INSERT
V..175	INSERTO PLATOS 42CMT.	42CMT DISHES INSERT
V..526	CESTO CUCHARAS CUADRADO	SQUARE SPOON BASKET
V..964	INSERTO PLATOS 36cm	36cm DISHES INSERT
WL3510	CESTO CUADRO VASOS 36x36	36X36 GLASSES BASKET
WL3511	CESTO CUADRO VASOS 40x40	40X40 GLASSES BASKET
WL3512	CESTO CUADRO VASOS 45x45	45X45 GLASSES BASKET
WL3520	CESTO CUADRO PLATOS 45x45	45X45 DISH BASKET

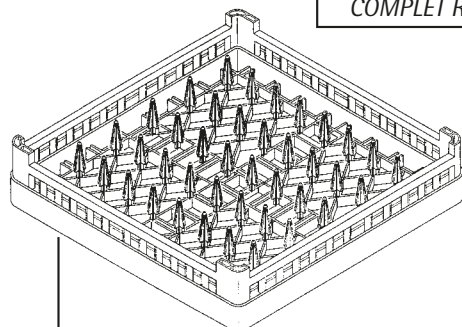
Cestas KORAL 500 - 600 - 800 -1200 ■ KORAL 500 - 600 - 800 - 1200 Baskets

V.1250

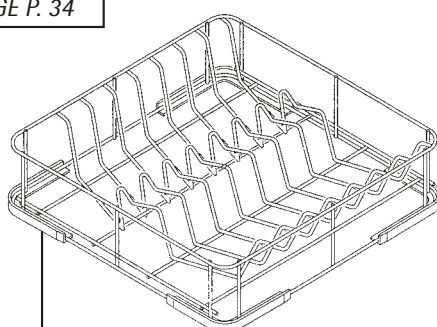
KR.101



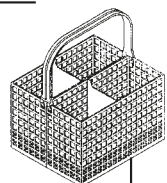
GAMA COMPLETA P. 34
COMPLET RANGE P. 34



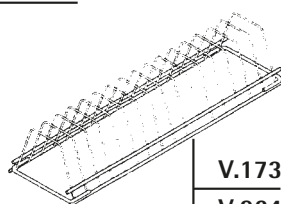
V.1252



V.1744



V.526



V.173 (30 cm)

V.964 (36 cm)

V.175 (42 cm)

REF.	DESCRIPCIÓN	DESCRIPTION
KR.101	SERVIR V.1251	50 X 50 X 13 BASKET
V..173	INSERTO PLATOS 30CMT.	30CMT DISHES INSERT
V..175	INSERTO PLATOS 42CMT.	42CMT DISHES INSERT
V..526	CESTO CUCHARAS CUADRADO	SQUARE SPOON BASKET
V..964	INSERTO PLATOS 36cm	36cm DISHES INSERT
V.1250	CESTA VASOS 50X50	50X50 GLASSES RACK
V.1252	CEST.PLATOS-BANDEJA 50X50	PLATES AND TRAYS RACK
V.1744	CESTO PLATOS 50x50x12cm	50x50cm DISHES BASKET

Índice **LAMBER** index

Sistema lavado/aclarado (1)	Wash and rinse systems (1)	1264
Sistema lavado/aclarado (2)	Wash and rinse systems (2)	1265
Sistema lavado/aclarado (3)	Wash and rinse systems (3)	1266
Sistema lavado/aclarado (4)	Wash and rinse systems (4)	1267
Sistema lavado/aclarado / varios	Wash and rinse systems / various	1268
Varios sistema hidráulico (1)	Hdraulic system various (1)	1269
Varios sistema hidráulico (2)	Hdraulic system various (2)	1270
Varios sistema hidráulico (3)	Hdraulic system various (3)	1271
Varios sistema hidráulico (4)	Hdraulic system various (4)	1272
Sistema filtro y desagüe	Drain and filter systems	1273
Sistema filtros y desagües / Tubos presión-succión	Drain and filter systems / Pressure-suction tubes	1274
Tubos presión-succión	Pressure-suction tubes	1275
Tubos bomba desagüe / Tubos desagüe / Componentes puertas	Drain pump hoses / Drain hoses / Door components	1276
Componentes puerta / Componentes capota	Door / Hood components	1277
Componentes capota / Interruptores	Hood components / Switches	1278
Interruptores / Interruptores magnéticos / Programadores	Switches / magnetic switches / Timers	1279
Programadores / Presostatos / Relés / Contactores	Timers / Pressure switches / Relays / Contactors	1280
Contactores / Termostatos / Termómetros	Contactors / Thermostats / Thermometers	1281
Varios componentes eléctricos	Electrical components various / Solenoid	1282
Dosificadores abrillantador - jabón	Rinse aid -soap dosimeters	1283
Filtros / Resistencias	Filters / Heating elements	1284
Resistencias / Bombas	Heating elements / Pumps	1285
Bombas / Bombas (recambios)	Pumps / Pumps (components)	1286

Sistema lavado/aclarado ■ Wash and rinse systems



Código Code	Descripción Description	Modelo Model	Código original Original code
LAM.1	Brazo aclarado inferior Rinse arm / lower	S200	0200801
LAM.2	Brazo aclarado inferior Rinse arm / lower	Minibar, Super QS, S280, 040F, GS4	0200296
LAM.3	Brazo aclarado inferior Rinse arm / lower	045F, S510	0200288
LAM.4	Brazo aclarado inferior Rinse arm / lower	050F, GS6, 086F, 01F, F85, F92, L20, L21, 014, 24L, L25	0200287
LAM.5	Brazo aclarado inferior Rinse arm / lower	P700	0200802



Código Code	Descripción Description	Modelo Model	Código original Original code
LAM.10	Brazo aclarado izquierdo 175mm Rinse arm, 175mm, left	—	0200017
LAM.11	Brazo aclarado derecho 175mm Rinse arm, 175mm, right	—	0200016
LAM.12	Brazo aclarado izquierdo 150mm Rinse arm, 150mm, left	—	0200015
LAM.13	Brazo aclarado derecho 150mm Rinse arm, 150mm, right	—	0200014



Código Code	Descripción Description	Modelo Model	Código original Original code
LAM.6	Brazo aclarado superior Rinse arm / upper	S200, Minibar, Super PS, S280, 040F	0200806
LAM.7	Brazo aclarado superior Rinse arm / upper	045F, S510	0200803
LAM.8	Brazo aclarado superior Rinse arm / upper	050F, 075F, 01F, F85, F92, L20, L21, L25, 015, 24L	0200804
LAM.9	Brazo aclarado superior Rinse arm / upper	P700	0200805



Código Code	Descripción Description	Modelo Model	Código original Original code
LAM.14	Brazo aclarado izquierdo 200mm Rinse arm, 200mm, left	—	0200371
LAM.15	Brazo aclarado derecho 200mm Rinse arm, 200mm, right	—	0200370
LAM.16	Brazo aclarado izquierdo 235mm Rinse arm, 235mm, left	—	0200013
LAM.17	Brazo aclarado derecho 235mm Rinse arm, 235mm, right	—	0200012



Código Code	Descripción Description	Modelo Model	Código original Original code
LAM.18	Brazo aclarado izquierdo 300mm Rinse arm, 300mm, left	—	0200373
LAM.19	Brazo aclarado derecho 300mm Rinse arm, 300mm, right	—	0200372
LAM.20	Tuerca M12x1 Nut, M12 x 1	—	0200205



Código Code	Descripción Description	Modelo Model	Código original Original code
LAM.21	Rociador 1,2mm Rinse nozzle, 1,2mm	—	0201164
LAM.22	Rociador 1,5mm Rinse nozzle, 1,5mm (outer)	—	0201165
LAM.23	Junta O-ring	—	0200303
LAM.24	Tuerca unión Union nut	—	0200608
LAM.25	Rociador 1/8 1,1mm Rinse nozzle, 1/8", 1,1mm	GS4, GS6	0200186
LAM.26	Rociador 1/8 1,8mm Rinse nozzle, 1/8", 1,8mm	075F, 015 (to 9/98)	0200187



Código Code	Descripción Description	Modelo Model	Código original Original code
LAM.27	Rociador 1/8" 1,1mm Rinse nozzle, 1/8", 1,1mm	GS6	0200132
LAM.28	Brida soporte rociador Rinse nozzle holder		0200250
LAM.29	Junta O-ring		0200239
LAM.30	Brida inferior rociador Supporting arm		0200315



Código Code	Descripción Description	Modelo Model	Código original Original code
LAM.31	Casquillo teflón 16,2mm Bush (teflon), inner, 16,2mm	Universal	0800498
LAM.32	Soporte brazo aclarado Rinse arm cross		0201151
LAM.33	Casquillo teflón 13,3mm Bush (teflon), inner, 13,3mm		0800499
LAM.34	Tornillo brazo aclarado Rinse screw		0800130



Código Code	Descripción Description	Modelo Model	Código original Original code
LAM.35	Soporte brazo aclarado Rinse arm cross	Universal	0200086
LAM.36	Soporte brazo aclarado (inox) Rinse arm shaft (inox)		0200038
LAM.37	Casquillo teflón Bush (teflon)	P700 (lower)	0800500
LAM.38	Soporte brazo aclarado Rinse arm cross		0201150
LAM.39	Casquillo teflón Bush (teflon)		0800175
LAM.40	Eje brazo aclarado Rinse arm shaft		0201001



Código Code	Descripción Description	Modelo Model	Código original Original code
LAM.41	Tubo aclarado Rinse pipe	S200, Minibar, Super QS, S280, 045F, S510, 040F	0200096
LAM.42	Tubo aclarado Rinse pipe	015, 24L, L25	0201836
LAM.43	Eje brazo aclarado Rinse arm shaft	GS4 Universal	0201002 201003



Código Code	Descripción Description	Modelo Model	Código original Original code
LAM.44	Junta 27 x 17 x 2 Gasket, 27 x 17 x 2	—	0200171
LAM.45	Tuerca Nut	—	0200101
GAS.13	Bicón 12mm Double cone, Ø 12mm	—	0200182
LAM.47	Tuerca de unión Union nut	—	0200181



Código Code	Descripción Description	Modelo Model	Código original Original code
LAM.48	Brazo lavado Wash arm	S200, Minibar, Super QS, S280, 040F, 045F, S510, GS4, upper: 050F, 075F, 01F, F82, F92, L20, L21	0500505
LAM.49	Brazo lavado Wash arm	lower: 050F, 075F, 01F, F8L, F92, L20, L21, L25, 015, 24L, GS6	0500500
LAM.50	Brazo lavado Wash arm	015, 24L, L25 (upper), P700	0500501



Código Code	Descripción Description	Modelo Model	Código original Original code
LAM.51	Soporte inferior brazo lavado Wash arm bush / lower	S200, Minibar, Super QS, S280, 040F, 045F, S510, GS4, GS6, L20, L21, (upper), P700 (upper+lower)	0202103
LAM.52	Soporte inferior brazo lavado Wash arm bush / lower	050F, 075F, 01F, F82, F.92, L20, L21	0202101
LAM.53	Junta teflón inferior Teflon disk / low. 57x41x2mm	Universal	0800052
LAM.54	Soporte superior brazo lavado Wash arm bush / upper	050F, 075F, 01F, F82, F92 O15, 24C, L25	0202120
LAM.55	Junta teflón superior Nylon disk / upp. 50x18,5x2mm		0800686
LAM.56	Pletina inox superior Inox- disk / upp. 50x22,2mm		0800901
LAM.57	Pletina inox superior Inox- disk / upp. 50x18,2mm	L20, L21, P70	0800030
LAM.58	Pletina inox inferior Inox- disk / lower	—	0800902



Código Code	Descripción Description	Modelo Model	Código original Original code
LAM.59	Columna lavado Wash column	050F, 075F, 01F, F85, F92	0200126
LAM.60	Soporte Holder		0201458
LAM.61	Junta Gasket		0200097



Código Code	Descripción Description	Modelo Model	Código original Original code
LAM.62	Columna lavado Wash column	S200, Super QS, S280, Minibar, 040F, 0,45F, S510	0200126



Código Code	Descripción Description	Modelo Model	Código original Original code
LAM.63	Tórica O-ring	S200, MINIBAR SUPER QS, S280	0200056
LAM.64	Tuerca columna lavado Wash column nut	O40F, O45F, S510	0200080
LAM.65	Junta columna lavado Gasket / wash column	GS4, GS6	0208153
LAM.64	Tuerca columna lavado Wash column nut		0200080



Código Code	Descripción Description	Modelo Model	Código original Original code
LAM.64	Tuerca columna lavado 1 1/4" Wash column nut, 1 1/4"	015, 24C, L25	0200080
LAM.63	Tórica O-ring		0200056
LAM.61	Junta Gasket		0200097
LAM.60	Soporte 1 1/4" Flange, 1 1/4"		0201458

Varios Various



Código Code	Descripción Description	Modelo Model	Código original Original code
LAM.67	Soporte 1 1/4" Flange, 1 1/4"	L20, L21	0200118
LAM.61	Junta Gasket		0200097
LAM.60	Soporte Flange		0201458



Código Code	Descripción Description	Modelo Model	Código original Original code
LAM.68	Junta 27x17x2mm Gasket, 27 x 17 x 2mm	—	0200171
LAM.69	Tuerca 3/8" inox Nut, 3/8" (inox)	—	0200101
GAS.13	Bicón 12mm Double cone, 12mm	—	0200182
LAM.71	Tuerca 3/8" 12mm Union nut, 3/8", 12mm	—	0200181



Código Code	Descripción Description	Modelo Model	Código original Original code
LAM.72	Bicono teflón 12mm Double cone, 12mm (teflon)	—	0200268
LAM.73	Racor 3/8-1/4 (inox) Reduction, 3/8" - 1/4" (inox)	—	0200040
LAM.74	Válvula anti-retorno None return valve	—	0200426



Código Code	Descripción Description	Modelo Model	Código original Original code
LAM.76	Tubo recto 3/4" 25mm Hose connector, 3/4" - 25mm	—	0200049
LAM.77	Tubo curvado 3/4" 25mm Hose connector, 3/4" - 25mm	—	0221313



Código Code	Descripción Description	Modelo Model	Código original Original code
LAM.75	Tuerca Union nut	015, 24L, l25, 075f	0200673
LAM.72	Bicono teflón 12mm Double cone	—	0200268



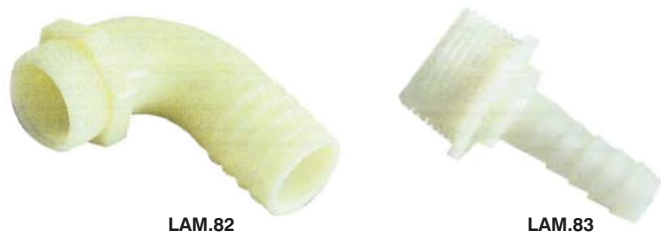
Código Code	Descripción Description	Modelo Model	Código original Original code
LAM.78	Tubo curvado 1/1/4" 30mm Hose connector, 1 1/4" - 30mm	—	0221314
LAM.79	Tubo curvado 3/8"-12mm Hose connector, 3/8" - 12mm	—	0221310



Código Code	Descripción Description	Modelo Model	Código original Original code
LAM.80	Tubo recto 1 1/2" 50mm Hose connector, 1 1/2" - 50mm	—	0221305
LAM.81	Tubo curvado 1 1/2" 40mm Hose connector, 1 1/2" - 40mm	—	0221331



Código Code	Descripción Description	Modelo Model	Código original Original code
LAM.84	Boquilla 1/2" 16mm 1/2" - 16Mm	—	0200903
LAM.85	Codo 1/2" 1/2" - 15Mm	—	0200906
LAM.86	Reducción 1-1/2" Reduction, 1 - 1/2"	—	0200932



Código Code	Descripción Description	Modelo Model	Código original Original code
LAM.82	Tubo curvado 1" 32mm Hose connector, 1" - 32mm	—	0221315
LAM.83	Tubo recto 3/4" - 12mm Hose connector, 3/4" - 12mm	—	0200231



Código Code	Descripción Description	Modelo Model	Código original Original code
LAM.79	Tubo curvado 3/8"-12mm Hose connector, 3/8" - 12mm	—	0221310
LAM.68	Junta Gasket	—	0200171
LAM.87	Tapón 3/8" Nut 3/8"	—	0300047





LAM.88



LAM.89

Código Code	Descripción Description	Modelo Model	Código original Original code
LAM.88	Boquilla Hose connector	—	0221307
LAM.89	Codo 3/8" Pvc - angle, 3/8"	—	0200162



LAM.92



LAM.93



LAM.94



LAM.95



LAM.96

Código Code	Descripción Description	Modelo Model	Código original Original code
LAM.92	Cámara presostática Air trap	—	0201455
LAM.93	Junta Gasket	—	0200295
LAM.94	Boquilla Connection / straight	—	0200638
LAM.95	Boquilla Connection	—	0200147
LAM.96	Muelle Spring	—	0800712



LZ.109



LAM.90



LAM.91

Código Code	Descripción Description	Modelo Model	Código original Original code
LZ.109	Anti-retorno Back flow restrictor	—	0500605
LAM.90	Anti-retorno Back flow restrictor	—	0500602
LAM.91	Tuerca Nut	—	0800663



LAM.97



LAM.98



LAM.99



LAM.100

Código Code	Descripción Description	Modelo Model	Código original Original code
LAM.97	Alojamiento bulbo Plunger socket, 1-fold	universal	0300006
LAM.98	Alojamiento bulbo doble Plunger socket, 2-fold	l25	0200270
LAM.99	Tuerca plástico Nut (plastic)	—	0200176
LAM.100	Muelle Spring	—	0300009



LAM101



LAM102



LAM103

Código Code	Descripción Description	Modelo Model	Código original Original code
LAM101	Filtro 100mm Filter, 100mm	S200, Minibar, Super QS, S280, S510	0200247
LAM102	Filtro 165mm Filter, 165mm	040F, 045F	0200024
LAM103	Filtro 215mm Filter, 215mm	050F, 075, 01F, F85, F92, L20, L21, P700	0200025



LAM.81



LAM.80



LAM107



LAM.63

Código Code	Descripción Description	Modelo Model	Código original Original code
LAM.81	Tubo curvado Intake fitting	050F, F85, F92, 075 (from 6/98)	0221331
LAM.80	Tubo recto Intake fitting	075F, 01F (to 6/98)	0221305
LAM107	Tuerca Nut	050F, 075F, 01F (to 6/98), F85, F92	0200058
LAM.63	Tórica O-ring		0200056



LAM104



LAM112



LAM106

Código Code	Descripción Description	Modelo Model	Código original Original code
LAM104	Racor Intake fitting	S200, Minibar, Super QS, S280, S510, 040F, 045F	0200127
LAM112	Junta Gasket		0208153
LAM.64	Tuerca Nut		0200080



LAM108



LAM109



LAM110

Código Code	Descripción Description	Modelo Model	Código original Original code
LAM108	Tapa superior soporte Flange	01F (from 1/98), L20, L21, P700	0200115
LAM109	Junta Gasket		0200098
LAM110	Soporte Intake fitting		0200116



Código Code	Descripción Description	Modelo Model	Código original Original code
LAM111	Filtro Filter	GS4, GS6	0202005
LAM112	Junta Gasket		0208153
LAM113	Codo desagüe Intake fitting		0201470



Código Code	Descripción Description	Modelo Model	Código original Original code
LAM117	Filtro Flat filter	01F, F92	0400151
LAM118	Filtro Flat filter	L20, L21	0400153
LAM119	Filtro Flat filter	014, 24L, L25	0400152



Código Code	Descripción Description	Modelo Model	Código original Original code
LAM114	Filtro Filter	15, 24C, L25	0202209
LAM115	Junta Gasket		0201506
LAM116	Adaptador entrada Intake fitting		0201913

Tubos desagüe
Over flow pipes

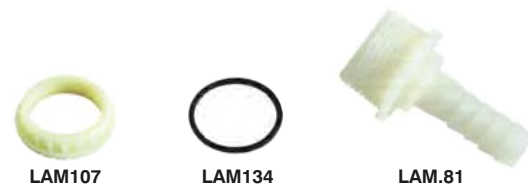


Código Code	Descripción Description	Modelo Model	Código original Original code
LAM120	Tubo rebosadero 100mm Over flow pipe, 100mm	S200, Minibar, Super QS, S280, 040F, 045F, S510	0200020
LAM121	Tubo rebosadero 100mm Over flow pipe, 100mm	050F, 075F, F85, F92, L20, L21	0200180
LAM122	Tubo rebosadero 45x340mm Over flow pipe, 45 x 340mm	015L, 24L, L25	0204003
LAM123	Tubo rebosadero 45x200mm Over flow pipe, 45 x 200mm	P700	0200022
LAM124	Pomo roscado M6 Ringe nut, M6		0500011
LAM125	Arandela inox Disk (inox)		0800906

Sistema filtros desagües / Tubos presión-succión ■ Drain and filter systems / Pressure-suction tubes 1274



Código Code	Descripción Description	Modelo Model	Código original Original code
LAM126	Racor rebosadero Drain valve	S200, Minibar, Super QS, S280, 040F, 045F, S510	0200128
LAM.63	Tórica Gasket		0200056
LAM.64	Tuerca Nut		0200080
LAM127	Junta Gasket		0200403
LAM128	Codo Rack		0200078



Código Code	Descripción Description	Modelo Model	Código original Original code
LAM107	Tuerca 1 1/2" Nut, 1 1/2"	075F (from 10/2000)	0200058
LAM134	Tórica O-ring		0800074
LAM.81	Racor Rack		0221331



Código Code	Descripción Description	Modelo Model	Código original Original code
LAM129	Racor rebosadero Drain valve	050F, 075F, 01F, F85, F92, L20, L21, 015, L42, L25, P700	0200113
LAM130	Junta Gasket		0200173
LAM131	Tuerca 2" Nut, 2"		0200114
LAM132	Junta, 2" Gasket, 2"		0200403
LAM128	Codo Rack	050F, 075F, 01F, F85, F92, P700	0200078
LAM133	Boquilla Connection piece	L20, L21, 015, 24L, L25	0221302

Tubos presión-succión
Pressure-suction tubes



Código Code	Descripción Description	Modelo Model	Código original Original code
LAM135	Tubo extractor Extraction hose	Minibar, 040F, S510	0201904
LAM136	Tubo presión Pressure hose		0200031
LAM137	Tubo extractor Extraction hose	S200, Super QS, S280	0201904
LAM138	Tubo presión Pressure hose		0201905



LAM139 LAM140 LAM141 LAM142

Código Code	Descripción Description	Modelo Model	Código original Original code
LAM139	Tubo extractor Extraction hose	045F	0200244
LAM140	Tubo presión Pressure hose		0200119
LAM141	Tubo extractor Extraction hose	050F, F85, F92	0200133
LAM142	Tubo presión Pressure hose		02001907



LAM146 LAM147 LAM143

Código Code	Descripción Description	Modelo Model	Código original Original code
LAM146	Tubo extractor Extraction hose	15, 24C, L25	0201914
LAM147	Tubo presión inferior Pressure hose / lower		0201919
LAM143	Tubo presión superior Pressure hose / upper		0200131



LAM143, LAM144 LAM136, LAM145 LAM141 LAM143

Código Code	Descripción Description	Modelo Model	Código original Original code
LAM143	Tubo extractor Extraction hose	GS4, GS6	0200131
LAM144	Tubo extractor Extraction hose	075F (to 6/98), 04F, L20, L21	0200232
LAM136	Tubo presión Pressure hose	GS4, GS6	0200031
LAM145	Tubo extractor Extraction hose	075F (from 6/98)	0200274
LAM141	Tubo presión inferior Pressure hose / lower	075F, 01F, L20, L21	0200133
LAM143	Tubo presión superior Pressure hose / upper	075F, 01F	0200131



LAM148 LAM149

Código Code	Descripción Description	Modelo Model	Código original Original code
LAM148	Tubo extractor Extraction hose	P700	0201906
LAM149	Tubo presión Pressure hose		0200122



LAM143 LAM150 LAM151

Código Code	Descripción Description	Modelo Model	Código original Original code
LAM143	Tubo extractor Extraction hose	Minibar, Super QS, S280, GS4, GS6	0200131
LAM150	Tubo extractor Extraction hose	Super QS, S280, 075F, 01F (from 10/00), 120, L20, L21, 015, 24C, L25	0200521
LAM151	Tubo extractor Extraction hose	045F, 050F, 075F, 01F, F85, F92	0200213

Componentes puerta Door components



LAM155 LAM156 LAM157

Código Code	Descripción Description	Modelo Model	Código original Original code
LAM155	Cierre puerta Snatch	S200, Minibar, Super QS, S280, 040F, 045F, 050F, S510, G54, G56, 075F, 01F, F85, F92, P700	0800006
LAM156	Aloamiento cierre puerta Counter part		0800404
LAM157	Pivote Door bearing		0800099

Tubos desagüe Drain hoses



LAM152 LAM153 LAM154

Código Code	Descripción Description	Modelo Model	Código original Original code
LAM152	Tubo desagüe Outflow hose (drain pump)	Universal	0900006
LAM153	Tubo desagüe Outflow hose	S200	0200027
LAM154	Tubo desagüe Outflow hose	Minibar, Super QS, S280, 040F, 045F, 050F, S510, 075F, 01F, F85, F92, L20, L21, 015, 242, L25, P700	0200112



LAM158 LAM159 LAM160 LAM161 LAM162

Código Code	Descripción Description	Modelo Model	Código original Original code
LAM158	Aloamiento varilla Hinge camp		0800402
LAM159	Placa Plate		0800403
LAM160	Tuerca Spigot		0800401
LAM161	Varilla corta Door rod	S200, Minibar, Super QS, GS4, P700	0800408
LAM162	Varilla larga Door rod	S280, 040F, 045F, 050F, S510, G56, 075F, 01F, F85, F92, P700	0800400



Código Code	Descripción Description	Modelo Model	Código original Original code
LAM163	Adaptador Hinge camp	P700	0800406
LAM164	Cierre puerta Door catch		0800405
LAM165	Tornillo Door bearing		0800098
LAM166	Tuerca M10 Bush, M10		0800409



Código Code	Descripción Description	Modelo Model	Código original Original code
LAM170	Tornillo Screw	L21	0800117
LAM171	Tornillo Screw	L25	0899999
LAM172	Adaptador Spacer piece		0800242
LAM173	Alojamiento Bearing bush	L21, L25, 014, L42	0800497
LAM174	Tuerca Spacer piece		0800420

Componentes capota Hood components



Código Code	Descripción Description	Modelo Model	Código original Original code
LAM167	Soporte Hood linkage support	L21, L25, 015, 24L	0800244
LAM168	Racor Bush		0800418
LAM169	Junta Gasket		0200099



Código Code	Descripción Description	Modelo Model	Código original Original code
LAM175	Junta Gasket	L20, L21, 015, L42, L25	0200099
LAM176	Espaciador superior Spacer / upper		0800109
LAM177	Espaciador inferior Spacer / lower		0800110
LAM178	Tubo Pipe		0800108

Componentes capota / Interruptores ■ Hood components / Switches 1278

Interruptores Switches



Código Code	Descripción Description	Modelo Model	Código original Original code
LAM179	Cojinete Castor	L20, L21, L25, 015, 24L	0800048
LAM180	Adaptador Rod for bearing		0800020
LAM181	Cojinete Ball bearing, joint		0800010
LAM182	Acoplamiento Linkage stub		0800115



Código Code	Descripción Description	Modelo Model	Código original Original code
LAM185	Interruptor Main switch, 2-pole, closer	Universal	0301000
LAM186	Interruptor Main switch (drain pump), 2-pole, changer	Minibar, S280, Super QS, 045F, 050F, 075F, 01F, F85, F92, L20, L21, L25, 015, 24L	
LAM187	Interruptor Main switch / drain pump, 2-pole, 1W + 1S	Super QS, S280, 040F, 045F, 050F, S510	0301004



Código Code	Descripción Description	Modelo Model	Código original Original code
LAM183	Muelle Spring	L20, L21, L25, 015, 24L	0800711
LAM184	Maneta Handle	L20	0500049



Código Code	Descripción Description	Modelo Model	Código original Original code
LAM188	Pulsador Pushbutton, 2-pole, 2 closer (Softeners)	GS4	0301101
LAM189	Pulsador Pushbutton, 1-pole, 1 closer	S200, Minibar, Super QS, S280, 045F, 050F, S510, GS4, GS6, 040F	0301100
LAM190	Piloto verde 230V Signal lamp / green, 230V	Universal	0300284





LAM191



LAM192

Código Code	Descripción Description	Modelo Model	Código original Original code
LAM191	Interruptor Program switch	015, 24L, L25	0300206
LAM192	Interruptor magnético Magnetic switch	Universal	0300138

Programadores Timers



LAM193



LAM194

Código Code	Descripción Description	Modelo Model	Código original Original code
LAM193	Programador 120° 4 micros 120°, 4 chambers timer	S200, Minibar, Super QS, S280, 040F, 050F, S510	0300143
LAM194	Programador 180° 5 micros 180°, 5 chambers timer	GS4, GS6	0300801



LAM195



LAM196

Código Code	Descripción Description	Modelo Model	Código original Original code
LAM195	Programador 360° 3 micros 360°, 3 chambers, repeat button	045F, 075F, 01F, F85, F92, L20, L21	0300807
LAM196	Mando Knob		0300049



LAM197



LAM198

Código Code	Descripción Description	Modelo Model	Código original Original code
LAM197	Programador 360° 4 micros 360°, 4 chambers timer	015, 24L, L25	0300117
LAM198	Programador 360° 3 micros 360°, 3 chambers, repeat button	P700	0300812



LAM199



LAM200

Código Code	Descripción Description	Modelo Model	Código original Original code
LAM199	Programador 20 min. 20 min, recovery timer	Super QS, S280, 040F, 050F	0300297
LAM200	Programador 60" 2 micros 60 sec., 2 chambers, cleaner dosing pump	—	0300085

Presostatos Pressure switches



LAM201



LAM202

Código Code	Descripción Description	Modelo Model	Código original Original code
LAM201	Presostato 60/30 60/30	Universal	0300026
LAM202	Presostato 110/70 110/70	015, 24L, L25, P700	0301501

Relés Relays



LAM203



LAM204



LAM205

Código Code	Descripción Description	Modelo Model	Código original Original code
LAM203	Relé 230v Relay, 2 changer, 230V	S200, Minibar, Super QS, S280, 040F, 045F, 050F, S510, GS4, 075F, 01F, F85, F92, L20, L21	0300063
LAM204	Relé 230v Relay, 2 changer, 230V		0301745
LAM205	Contactador 230v Contactor, 3 S + 1 S, 230V	045F, 075F, 01F, F85, F92, L20, L21, P700	0300058

Contactores Contactors



LAM206



LAM207

Código Code	Descripción Description	Modelo Model	Código original Original code
LAM206	Contactador 230v Contactor, 3 S + 1Ö, 230V	015, 24L, L25	0300392
LAM207	Contactador 230v Contactor, 3 S + 1 S, 230V	GS4, GS6	0300059



LAM208 LAM209, LAM210

Código Code	Descripción Description	Modelo Model	Código original Original code
LAM208	Contactador 230v Contactador, 3 S + 1 S / 1Ö, 230V	015. 24L, L25	0300050
LAM209	Contactador 1,5-2,5A Overload ready, 1,5 - 2,5A	015. 24L, L25	0300198
LAM210	Contactador 3,8-6,3A Overload ready, ,3,8 - 6,3A	P700	0300324

**Termostatos
Thermostats**



LAM211 LAM212

Código Code	Descripción Description	Modelo Model	Código original Original code
LAM211	Termostato 30 - 90°C 30 - 90°C, 2000mm / capillary	Universal	0300005
LAM212	Termostato seguridad, 110°C Safety thermostat, 110°C		0300004



LAM.97 LAM.98 LAM213 LAM.99 LAM214

Código Code	Descripción Description	Modelo Model	Código original Original code
LAM.97	Alojamiento bulbo Plunger socket, 1-fold	Universal	0300006
LAM.98	Alojamiento bulbo doble Plunger socket, 2-fold	L25	0200270
LAM213	Junta Gasket	Universal	0200110
LAM.99	Tuerca Nut		0200176
LAM214	Tuerca Nut, MS - VN		0800655

**Termómetros
Thermometers**



LAM215 LAM216

Código Code	Descripción Description	Modelo Model	Código original Original code
LAM215	Termómetro 11,5x62,5 1000mm 11,5 x 62,5 mm, 1000mm / Capillary	Super QS, S280, GS4, GS6	0500008
LAM216	Termómetro 120°C Thermometer 120°C	F92, L25	0500009



LAM217 LAM218, HB.141, LASA24

Código Code	Descripción Description	Modelo Model	Código original Original code
LAM217	Filtro supresión interferencia Interference suppresion filter	—	0300090
LAM218	Condensador 5MF Condenser. 5MF	—	0300105
HB.141	Condensador 6,3MF Condenser. 6,3MF	—	0300110
LASA24	Condensador 10MF Condenser. 10MF	—	0300106



LAM221 LAM222

Código Code	Descripción Description	Modelo Model	Código original Original code
LAM221	Bloque conector 1 salida Connector block, 1-phases	Universal	0300750
LAM222	Bloque conector 3 salidas Connector block, 3-phases		0300751

Electroválvulas / Solenoid valves



V.132 V.133

Código Code	Descripción Description	Modelo Model	Código original Original code
V.132	Electroválvula 1 vía 1-fold, 230V	S200, 040F, 045F, 050F, 075F, 01F, F85, F92, L20, L 21, 015, 24L, L25	0300025
V.133	Electroválvula 2 vías 2-fold	Minibar, Super QS, S280, S510, GS4, GS6, P700	0300056



V.134 V.1579

Código Code	Descripción Description	Modelo Model	Código original Original code
V.134	Electroválvula 3 vías 3-fold, 230V, with reduction	Super QS, S280, S510	0300096
V.1579	Electroválvula 2 vías 2-fold, 230V, with reduction	040F, 045F, 050F, 075F, 01F, F85, F92	0301149



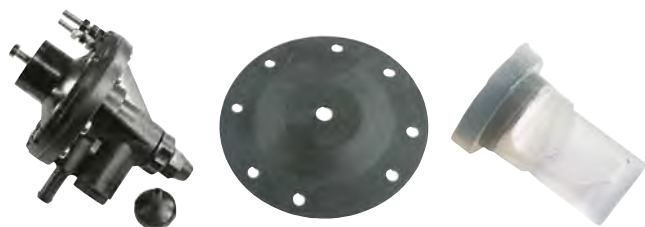
LAM223 V.611

Código Code	Descripción Description	Modelo Model	Código original Original code
LAM223	Dosificador jabon 2,4l/h Dosing pump, 2,4L/h	—	0500058, 0500063
V.611	Tubo jabón Detergent hose	—	0500072



LAM224

Código Code	Descripción Description	Modelo Model	Código original Original code
LAM224	Dosificador abrillantador Cleaner dosing pumps	—	0500059



LAV120 LAV232 H25211

Código Code	Descripción Description	Modelo Model	Código original Original code
LAV120	Dosificador abrillantador Rinse liquid (dosing pump)	—	0599999
LAV232	Membrana Membrane	—	0200428
H25211	Válvula Valve	—	0200425



LAM225 LAM226 LAM227 LAM228

Código Code	Descripción Description	Modelo Model	Código original Original code
LAM225	Eje Water inlet	—	0500090
LAM226	Junta Gasket	—	0200178
LAM227	Tuerca Nut, M10	—	0800091
LAM228	Tuerca conexión tubo Nut / hose connector	—	0500091



V.978 V.842

Código Code	Descripción Description	Modelo Model	Código original Original code
V.978	Filtro depósito Container filter	—	0200443
V.842	Filtro con válvula anti-retorno Container filter with nozzle valve	—	0201460

Resistencias Heating elements



LAM229 LAM230 LAM226 LAM271

Código Code	Descripción Description	Modelo Model	Código original Original code
LAM229	1000W, 230V 1000W, 230V	S200, GS4, GS6	0303044
LAM230	2000W, 230V 2000W, 230V	Minibar, Super QS, S280, 040F, 050F, S510, 075F, 01F, F82, F92	0300067
LAM226	Junta Gasket	—	0200178
LAM271	Tuerca Nut	—	0800045



LAM231 LAM232 LAM.63 LAM.64

Código Code	Descripción Description	Modelo Model	Código original Original code
LAM231	2400W, 3x 230V, 1 1/4" 2400W, 3x 230V, 1 1/4"	L20, L21	0303042
LAM232	4500W, 3 x 230V, 1 1/4" 4500W, 3 x 230V, 1 1/4"	P700	0300022
LAM.63	Tórica Gasket	—	0200056
LAM.64	Tuerca, 1 1/4" Nut, 1 1/4"	—	0200080



LAM233 LAM234 LAM235

Código Code	Descripción Description	Modelo Model	Código original Original code
LAM233	2400W, 2 x 230V 2400W, 2 x 230V	S200, Minibar, Super QS, S280, 040F, GS4	0303001
LAM234	3000W, 3 x 230V 3000W, 3 x 230V	045F, 050F, S510, 015, 24L, L25	0300011
LAM235	6000W, 3 x 230V 6000W, 3 x 230V	GS6, 075F, 01F, F85, F92, L20, L21, 015, 24L, P700	0300012

Bombas
Pumps

LAM236

LAM237

Código Code	Descripción Description	Modelo Model	Código original Original code
LAM236	4500W, 3x 230V 4500W, 3x 230V	F85, F92	0300002
LAM237	9000W, 3 x 230V 9000W, 3 x 230V	015, 24L, L25	0300299



LAM240

LAM241

Código Code	Descripción Description	Modelo Model	Código original Original code
LAM240	Bomba desagüe Drain pump	Universal	0300068
LAM241	Bomba presión Pressure pump	—	0300361



LASA29

LAM239

Código Code	Descripción Description	Modelo Model	Código original Original code
LASA29	Tórica O-ring / gasket	—	0200041
LAM239	Tapa Cover	—	0301112



LAM242

LAM243

LAM244

Código Code	Descripción Description	Modelo Model	Código original Original code
LAM242	Bomba ZF115,01PS 230V ZF115, 0,1PS, 230V	S200, Minibar, Super QS, S280	0300252
LAM243	Bomba ZF115, 0,1PS 230V ZF115, 0,1PS, 230V	040F, S510, GS4, GS6	0300373
LAM244	Motor bomba Pump	GS6	0300245

Bombas / Bombas (recambios) ■ Pumps / Pumps (components) 1286



LAM245

LAM246

Código Code	Descripción Description	Modelo Model	Código original Original code
LAM245	DW0150, 1,5PS, 400V DW0150, 1,5PS, 400V	015 / 24L, L25	0301254
LAM246	M227, 2,7PS, 400V M227, 2,7PS, 400V	P700	0300310



LAM247

LAM248

Código Code	Descripción Description	Modelo Model	Código original Original code
LAM247	0,60PS, 230V 0,60PS, 230V	—	0300024, 0301203
LAM248	ZF320, 0,85PS, 230V ZF320, 0,85PS, 230V	—	0301204

Componentes motor
Motor components

1

2

3

4

5

Bombas Pumps		1 Turbina Impellor		2 Retén Axial face seal		3 ?Junta Pump cover		4 Tapa Pump cover		5 Condensador Condenser	
Código Code	Código original Original code	Código Code	Código original Original code	Código Code	Código original Original code	Código Code	Código original Original code	Código Code	Código original Original code	Código Code	Código original Original code
LAM242	0300252	LAM249	0209804	MAC301	0200397	LAM259	0209905	LAM263	0200595	WIN209	
LAM243	0300373	LAM250	0209819	MAC301	0200397	LAM259	0209905	LAM263	0200595	HB141	
LAM244	0300245	LAM251	0209820	WIN193		LAM260		LAM264			
LAM247	0300024	LAM252	0200228		0200242	LAM261	0200241	LAM265	0200271	LASA24	
LAM248	0301204	LAM253		MAC301		LAM259		LAM266		HB.139	
LAM246	0300310	LAM254		WIN192	0209707	LAM262	0200290	LAM267	0200277		

Índice LASA index

Interruptores / Pilotos / Programadores / Presostatos
 Presostatos / Termostatos / Microinterruptores
 Electroválvula / Relé / Dosificador abrillantador / Resistencias
 Resistencias / Bombas

Switches / Lamps / Timers / Pressure switches
 Pressure switch / Thermostats / Micro switches
 Solenoid / Relays / Dosing pumps / Heating elements
 Heating elements / Pumps

1288
 1289
 1290
 1291

Interruptores / Pilotos / Programadores / Presostatos ■ Switches / Lamps / Timers / Pressure switches



LASA.1

LASA.2

Código Code	Descripción Description	Modelo Model	Código original Original code
LASA.1	Interruptor programador Program switch	---	---
LASA.2	Interruptor programador Program switch	---	---

Programadores Timers



LASA.7

LASA.8, LASA.9

LASA10

Código Code	Descripción Description	Modelo Model	Código original Original code
LASA.7	Programador 180" 5 micros 180", 5 chambers timer	---	3406030
LASA.8	Programador 50/80/120" 8 micros 50"/80"/120", 8 chambers timer	---	3406040
LASA.9	Programador 50/80/120" 8 micros 50"/80"/120", 8 chambers timer	---	3406050
LASA10	Programador 180" 180" timer	LS16D, LS311D	512069300



LASA.3

LASA.4

LO.355

CZA263

Código Code	Descripción Description	Modelo Model	Código original Original code
LASA.3	Interruptor principal Main switch	---	3168180
LASA.4	Interruptor principal Program switch		3168190
LO.355	Carcasa piloto verde 12mm Socket, 12mm green		3109060
CZA263	Piloto blanco 230V Signal element, 230V		

Presostato 1 nivel

Pressure switches 1 level



LASA11, LMA.11

LASA13

Código Code	Descripción Description	Modelo Model	Código original Original code
LASA11	45/20 45/20	---	3283010
LMA.11	340/200 340/200	---	3283030
LASA13	50/30 50/30	---	3609, 3281000



LMA.12

Código Code	Descripción Description	Modelo Model	Código original Original code
LMA.12	45/20, 95/70 45/20, 95/70	—	3283020



LASA17



LASA18

Código Code	Descripción Description	Modelo Model	Código original Original code
LASA17	Termostato 30-90°C 30-90°C², 3-pole thermostat	—	3267240
LASA18	Termostato 80-90°C 80-90°C, 1-pole thermostat	—	3267320

**Termostatos
Thermostats**



LASA15

LAP32

Código Code	Descripción Description	Modelo Model	Código original Original code
LASA15	Termostato 55°C 55°C, stoke thermostat	—	3267220
LAP32	Termostato seguridad 140°C 140°C, safety thermostat	—	3267260

**Microinterruptores
Micro switches**



CZA442

LASA20

Código Code	Descripción Description	Modelo Model	Código original Original code
CZA442	Microinterruptor 1-pole micro switch	—	3121030
LASA20	Microinterruptor Proximity switch	—	3168200



V.135

Código Code	Descripción Description	Modelo Model	Código original Original code
V.135	Electroválvula 230V 1-flod, 230V solenoid	—	—

**Dosificador abrillantador
Dosing pumps**



LAV898

LAV405

H25211

Código Code	Descripción Description	Modelo Model	Código original Original code
LAV898	Dosificador abrillantador Dosing pump	—	3485000, 4166
LAV405	Bobina electroválvula Solenoid coil	—	—
H25211	Membrana Valve	—	—

**Relé
Relays**



LASA22, LASA23

Código Code	Descripción Description	Modelo Model	Código original Original code
LASA22	Relé 10A 2-pol-changer, 10A relay	—	—
LASA23	Relé 12A 2-pol-changer, 12A relay	—	3426260

**Resistencias
Heating elements**



LMA.24

LASA28

LASA36

Código Code	Descripción Description	Modelo Model	Código original Original code
LMA.24	Resistencia 1800W, 230V 1800W, 230V resistance	—	3208030
LASA28	Resistencia 3500W, 3 x 230V 3500W, 3 x 230V resistance	—	3208040
LASA36	Junta Gasket	—	—



Código Code	Descripción Description	Modelo Model	Código original Original code
LASA30	Resistencia 3000W / 230V 3000W / 230V resistance	LB952/H, LB352	3207000
LASA31	Resistencia 6000W / 3 x 230V 6000W / 3 x 230V resistance	---	3208020
LASA32	Resistencia 4500W, 3 x 230V 4500W, 3 x 230V resistance	---	3208010
LASA34	Resistencia 6000W, 3 x 230V 6000W, 3 x 230V resistance	---	---
LASA35	Resistencia 9000W, 3 x 230V 9000W, 3 x 230V resistance	---	---
LASA36	Junta (LASA34-35) Gasket	---	---
MAC247	Junta (LASA30-31-32) Gasket	---	---

Bombas Pumps



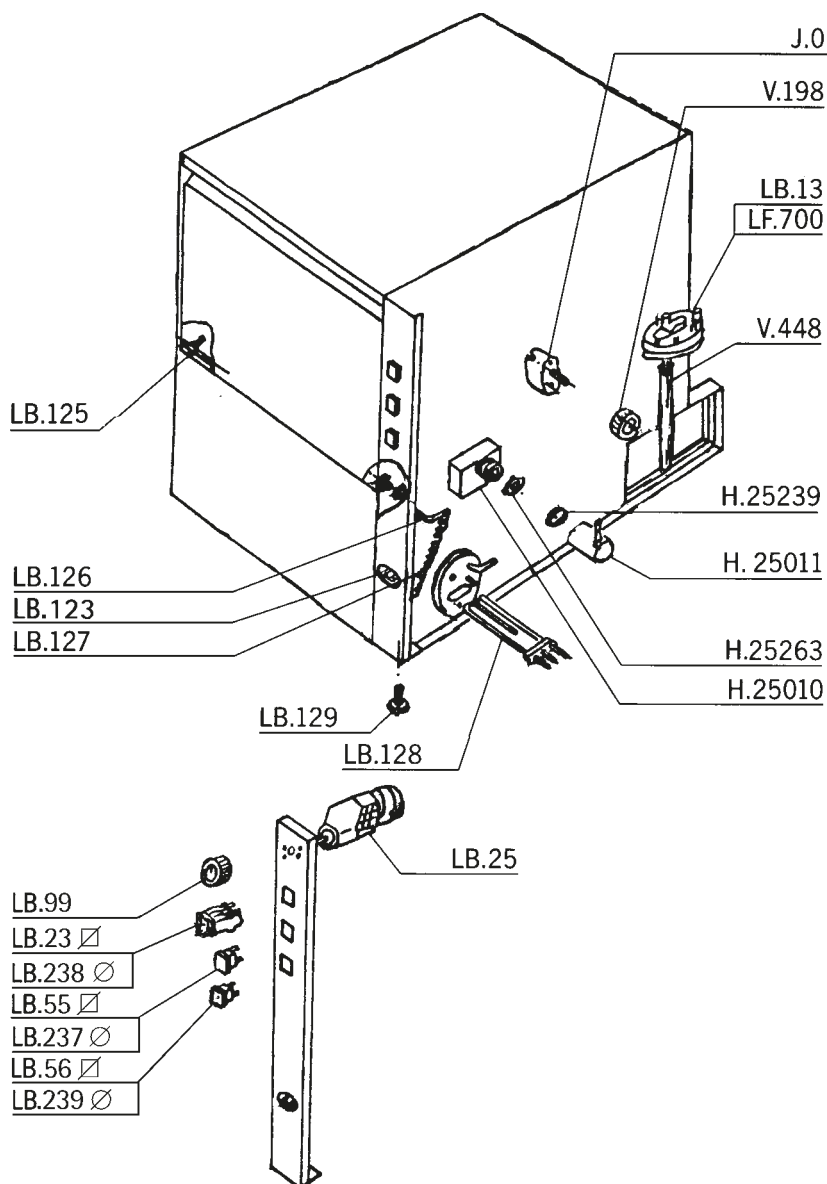
Código Code	Descripción Description	Modelo Model	Código original Original code
LASA37	Bomba desagüe 34W 230V 34W, 230V pump	---	---
LASA38	Bomba 0,75PS 230V 0,75PS, 230V	---	FIR3911



Bombas Pumps		1 Turbina Impellor		2 Retén Axial face seal		3 Junta tapa Pump cover		4 Tapa motor Pump cover		5 Condensador Condenser	
Código Code	Código original Original code	Código Code	Código original Original code	Código Code	Código original Original code	Código Code	Código original Original code	Código Code	Código original Original code	Código Code	Código original Original code
LASA38	500038	LASA39	510610	WIN193	510692	LASA41	521702	LAM264	521507	LASA24	365015

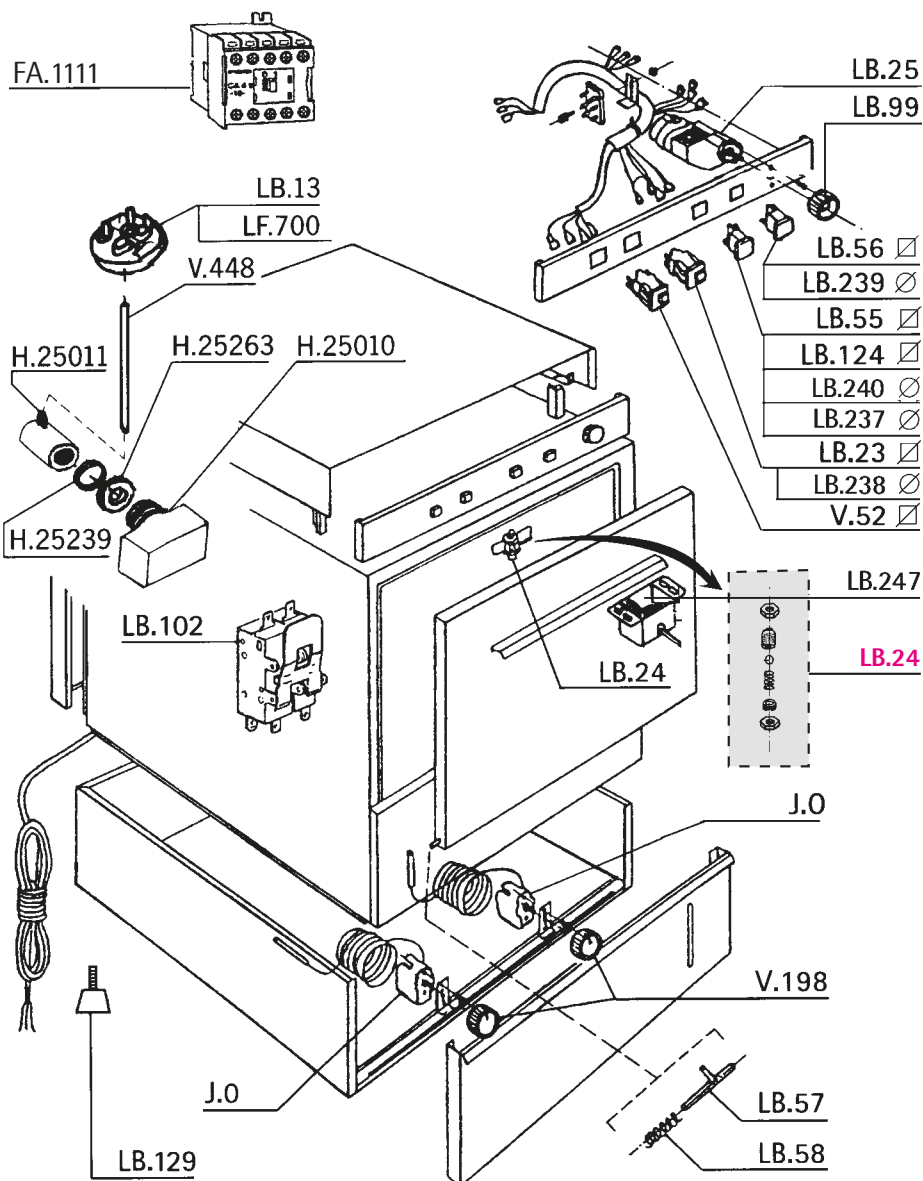
Índice LÍNEA BLANCA index

Carrocería LC-80 antiguo	Old LC-80 Bodywork	1293
Carrocería resto modelos antiguos	Rest old models bodywork	1294
Entrada agua / Bomba abrillantador antiguo	Old water inlet / Brightness pump	1295
Lavado / Aclarado cesta red. 36/1200 - 1200/250 - 1800/300 - 2500/450 - 3000/600 antiguo	Wash / Rinse round basket old 36/1200 - 1200/250 - 1800/300 - 2500/450 - 3000/600	1296
Motor / Volante cesta Red. 36/1200 - 1200/250 - 1800/300 - 2500/450 - 3000/600 antiguo	Motor / Rotating round basket old 36/1200 - 1200/250 - 1800/300 - 2500/450 - 3000/600	1297
Lavado LC-80 / LC-1000 / LC-1500 antiguo	Old LC-80 / LC-1000 / LC-1500 Wash	1298
Aclarado LC-80 / L-1000 / LC-1500 antiguo	Old LC-80 / LC-1000 / LC-1500 Rinse	1299
Motor / Cuba LC-80 / LC-1000 / LC-1500 antiguo	Old LC-80 / LC-1000 / LC-1500 Motor / Tank	1300
Lavado LC-1700 / LC-2000 / LC-2300 / LC-2600 / LC-2800 antiguo	Old LC-1700 / LC-2000 / LC-2300 / LC-2600 / LC-2800 Wash	1301
Aclarado LC-1700 / LC-2000 / LC-2300 / LC-2600 / LC-2800 antiguo	Old LC-1700 / LC-2000 / LC-2300 / LC-2600 / LC-2800 Rinse	1302
Motor LC-1700 / LC-2000 / LC-2300 / LC-2600 / LC-2800 antiguo	Old LC-1700 / LC-2000 / LC-2300 / LC-2600 / LC-2800 Motor	1303
Carrocería / Motor 4000/900 / LC-3500 antiguo	Old 4000/900 / LC-3500 Bodywork / Motor	1304
Lavado / Aclarado LC-3500 antiguo	Old LC-3500 Wash / Rinse	1305
Lavado / Aclarado 4000 / 900 antiguo	Old 4000/900 Wash / Rinse	1306
Componetes eléctricos LC-3500 / LC-4000 antiguo	Old LC-3500 / LC-4000 Electric components	1307
Calderín 4000/900 - LC-3500 antiguo	Old 4000/900 - LC-3500 Boiler	1308
Mecanismos LC-80 / LC-140	LC-80 / LC-140 Mechanish	1309
Mecanismos LC-1000	LC-1000 Mechanish	1310
Mecanismos LC-1500 / LC-1700	LC-1500 / LC-1700 Mechanish	1311
Mecanismos LC-2000 / LC-2300	LC-2000 / LC-2300 Mechanish	1312
Mecanismos LC-2300 TR / LC-2600 / LC-2800	LC-2300 TR / LC-2600 / LC-2800 Mechanish	1313
Aclarado LC-80 / LC-140	LC-80 / LC-140 Rinse	1314
Aclarado LC-1000 / LC-1500	LC-1000 / LC-1500 Rinse	1315
Aclarado LC-1700	LC-1700 Rinse	1316
Aclarado LC-2000	LC-2000 Rinse	1317
Aclarado LC-2300 / LC-2600	LC-2300 / LC-2600 Rinse	1318
Aclarado LC-2300 TR	LC-2300 TR Rinse	1319
Aclarado LC-2800	LC-2800 Rinse	1320
Lavado LC-80	LC-80 Wash	1321
Lavado LC-140 / LC-1500	LC-140 / LC-1500 Wash	1322
Lavado LC-1000	LC-1000 Wash	1323
Lavado LC-1700	LC-1700 Wash	1324
Lavado LC-2000	LC-2000 Wash	1325
Lavado LC-2300 / LC-2300 TR	LC-2300 / LC 2300 TR Wash	1326
Lavado LC-2600 / 2800	LC-2600 / 2800 Wash	1327
Cuadro eléctrico LC-80 / LC-140 / LC-1000 / LC-1500 / LC-1700 / LC-2000 / LC-2300 / LC-2300TR / LC-2600 / LC-2800	LC-80 / LC-140 / LC-1000 / LC-1500 / LC-1700 / LC-2000 / LC-2300 / LC-2300TR / LC-2600 / LC-2800 Electric panel	1328
Cuadro eléctrico LC-2300 TR / LC-2800 TR	LC-2300 TR / LC-2800 TR Electric panel	1329
Cuadro eléctrico / Termostatos LC-1000 / LC-1500 / LC-1700 / LC-2000 / LC-2300 / LC-2300TR / LC-2600 / LC-2800 / LC-3800 / LC-4200	Thermostats / Electric panel LC-1000 / LC-1500 / LC-1700 / LC-2000 / LC-2300 / LC-2300TR / LC-2600 / LC-2800 / LC-3800 / LC-4200	1330
Panel mandos LC-80 / LC-140 / LC-1000 / LC-1500 / LC-1700 / LC-2000 / LC-2300 / LC-2300TR / LC-2600 / LC-2800	LC-80 / 140 Control panel	1331
Despiece mecánico LC-3800 / LC-4200	LC-3800 / LC-4200 Mecanish	1332
Cuba LC-3800 / LC-4200	LC-3800 / LC-4200 Tank	1333
Aclarado LC-3800 / LC-4200	LC-3800 / LC-4200 Rinse	1334
Lavado LC-3800 / LC-4200	LC-3800 / LC-4200 Wash	1335
Cuadro eléctrico LC-3800 / LC-4200	LC-3800 / LC-4200 Electric panel	1336
Panel mandos LC-3800	LC-3800 Control panel	1337
Panel mandos LC-4200	LC-4200 Control panel	1338
Lavavajillas de arrastre TL-100 / TL-130 / TL-170 - Lavautensilios LU-500 / LU-550 / LU-610 / LU-700 / LU-1320	Dragging dishwasher TL-100 / TL-130 / TL-170 - LU-500 / LU-550 / LU-610 / LU-700 / LU-1320	1339-1341
Dosificador abrillantador	Rinse aid dosimeter	1342
Cestos	Baskets	1343-1344



REF.	DESCRIPCIÓN	DESCRIPTION
H25010	CAMARA PRESOSTATICA	PRESSURE SWITCH CHAMBER
H25011	RACOR PLASTICO	FITTING
H25239	TORICA CIERRE	CLOSING RING
H25263	JUNTA CIERRE GOMA	CLOSING RUBBER GASKET
J...0	TERMOSTATO 0-90°	0-90° THERMOSTAT
LB..13	PRESOSTATO SAL.VERT.85/60	VERTICAL PRESSURE SWITCH
LB..23	INTERRUPTOR 4FAXTON VERDE	GREEN 4 FAXTON SWITCH
LB..25	PROGRAMADOR CICLO 2MICROS	2TOOTH CYCLE TIMER
LB..55	PILOTO ROJO 220V	220V RED WARNING LAMP
LB..56	PILOTO AMARILLO 220V	220V YELLOW WARNING LAMP
LB..99	POMO PROGRAMADOR	TIMER HANDLE
LB.123	TOPE PUERTA	DOOR STOP
LB.125	EJE PUERTA LC-80	LC-80 DOOR ROD
LB.126	VARILLA EJE PUERTA	ROD
LB.127	MUELLE PUERTA	DOOR SPRING
LB.128	RESISTENC.CALDERIN 2000W 230V	2000W 230V BOILER RESISTANCE
LB.129	PATA REGULABLE	ADJUSTABLE FOOT
LB.237	PILOTO REDONDO ROJO	ROUND RED WARNING LAMP
LB.238	INTERRUPTO.ON-OFF REDONDO VERD	ROUND ON-OFF SWITCH
LB.239	PILOTO REDONDO AMBAR	ROUND YELLOW LAMP
LF.700	PRESOSOTATO SAL/HOR.80/50	50/80 HORIZ.PRESS SWITCH
V..198	MANDO TERMOSTATO 90°	90° THERMOSTAT HANDLE
V..448	TUBO PRESOSTATO-METRO 4X6	4X6 PRE.SWITCH INLET PIPE

LINEA BLANCA
Lavavajillas
Dishwashers



REF.	DESCRIPCIÓN	DESCRIPTION
FA.1111	CONTACTOR 220V	220V RELAY
H25010	CAMARA PRESOSTATICA	PRESSURE SWITCH CHAMBER
H25011	RACOR PLASTICO	FITTING
H25239	TORICA CIERRE	CLOSING RING
H25263	JUNTA CIERRE GOMA	CLOSING RUBBER GASKET
J...0	TERMOSTATO 0-90°	0-90° THERMOSTAT
LB..13	PRESOSTATO SAL.VERT.85/60	VERTICAL PRESSURE SWITCH
LB..23	INTERRUPTOR 4FAXTON VERDE	GREEN 4 FAXTON SWITCH
LB..24	CIERRE PUERTA TODOS MODEL	ALL MODELS CLOSING DOOR
LB..25	PROGRAMADOR CICLO 2MICROS	2TOOTH CYCLE TIMER
LB..55	PILOTO ROJO 220V	220V RED WARNING LAMP
LB..56	PILOTO AMARILLO 220V	220V YELLOW WARNING LAMP
LB..57	EJE PUERTA	DOOR ROD
LB..58	MUELLE EJE PUERTA	ROD DOOR SPRING
LB..99	POMO PROGRAMADOR	TIMER HANDLE
LB.102	MICROINTERRUPTOR PUERTA	DOOR MICROSWITCH
LB.124	PILOTO VERDE 220V	220V GREEN WARNING LAMP
LB.129	PATA REGULABLE	ADJUSTABLE FOOT
LB.237	PILOTO REDONDO ROJO	ROUND RED WARNING LAMP
LB.238	INTERRUPTO.ON-OFF REDONDO VERD	ROUND ON-OFF SWITCH
LB.239	PILOTO REDONDO AMBAR	ROUND YELLOW LAMP
LB.240	PILOTO VERDE REDONDO	ROUND GREEN LAMP
LB.247	IMAN PUERTA COMPLETO	COMPLET DOOR MAGNET
LF.700	PRESOSOTATO SAL/HOR.80/50	50/80 HORIZ.PRESS SWITCH
V..52	CONMUTADOR 6 FASTON ROJO	RED FASTON 6 SWITCH
V..198	MANDO TERMOSTATO 90°	90° THERMOSTAT HANDLE
V..448	TUBO PRESOSTATO-METRO 4X6	4X6 PRE.SWITCH INLET PIPE

LINEA BLANCA
Lavavajillas
Dishwashers

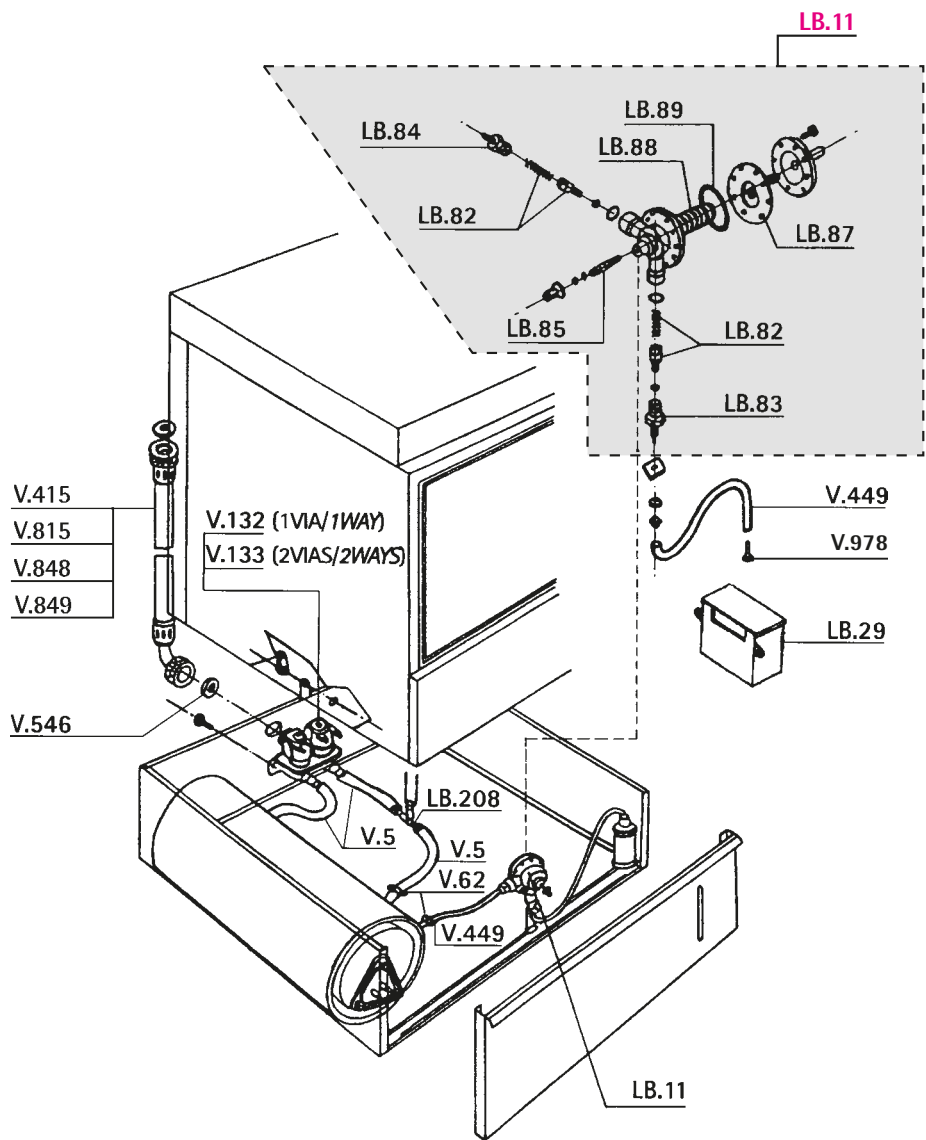
Si no encuentra el componente que busca, llámenos, le ayudaremos.



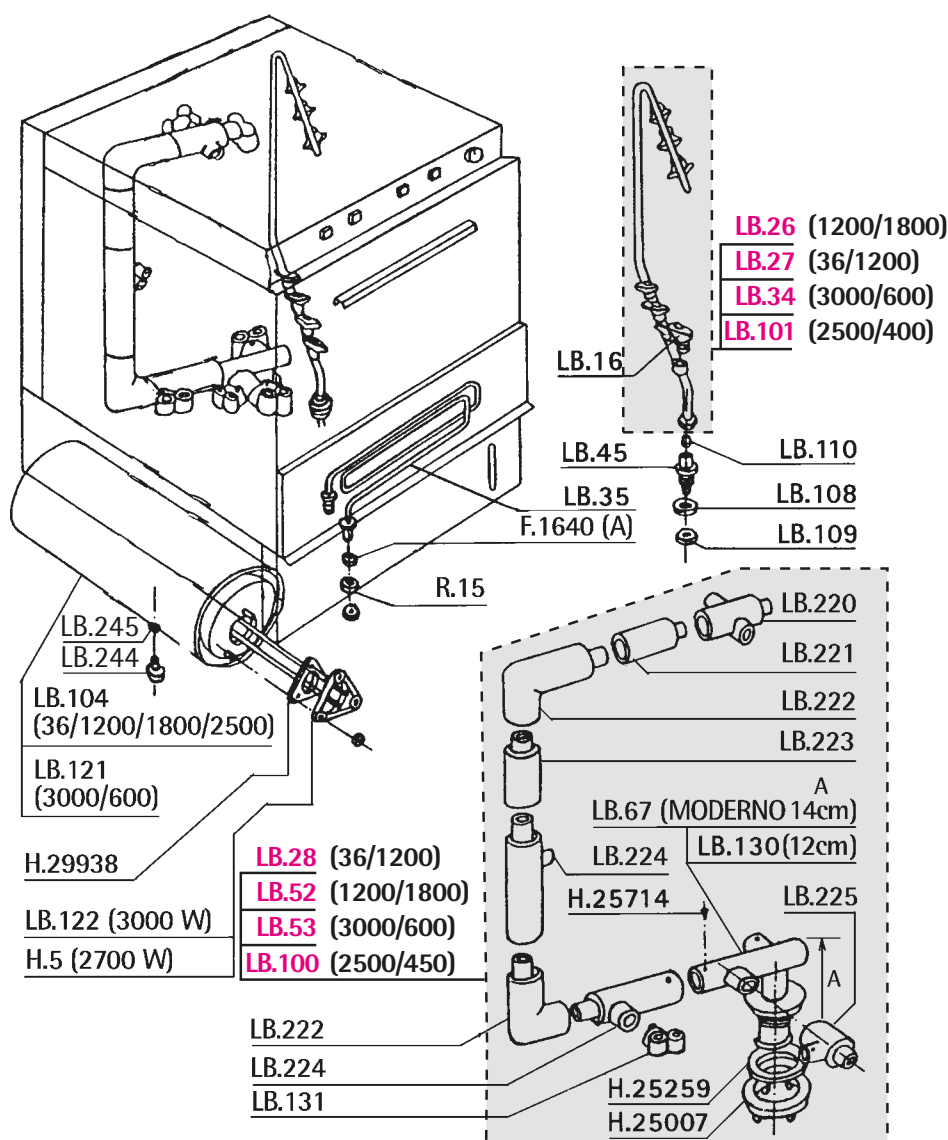
Tel: 93 377 64 11
Fax: 93 377 98 03
ascaso@ascaso.com

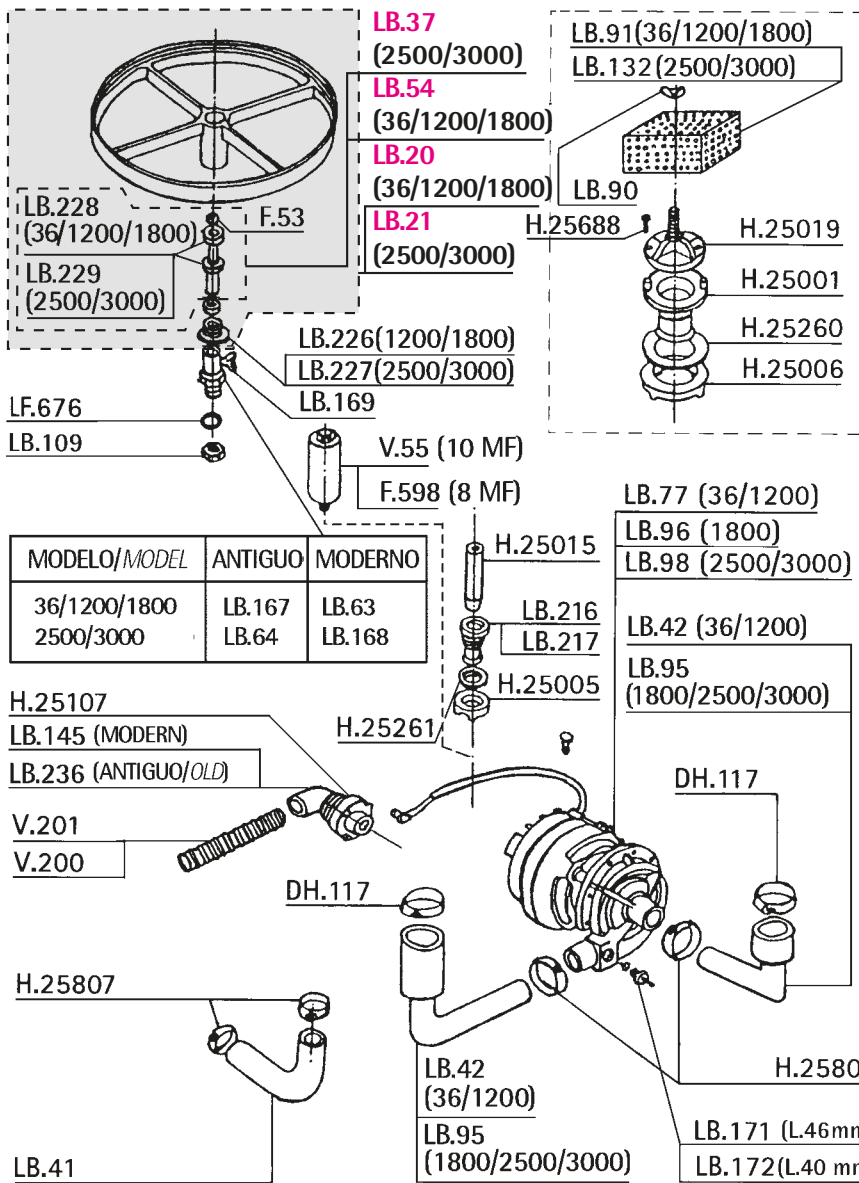
ascaso

REF.	DESCRIPCIÓN	DESCRIPTION
LB..11	DOSIFICADOR ABRILLANTADOR	RINSE AID DOSIMETER
LB..29	DEPOSITO ABRILL.CUADRADO	SQUARE RINS.AID CONTAINER
LB..82	KIT VALVULA ANTIRETORNO	RETENTION VALVE KIT
LB..83	RACOR ENTRADA DOSIFICADO	DOSIMETER INLET FITTING
LB..84	RACOR SALIDA DOSIFICADOR	DOSIMETER OUTLET FITTING
LB..85	EJE DOSF.ABRILLANTADOR	DOSIMETER ROD
LB..87	MEMBRANA DOSF.ABRILLANTAD	DOSIMETER MEMBRANE
LB..88	MUELLE DOSF.ABRILLANTADOR	DOSIMETER SPRING
LB..89	TORICA DOSF.ABRILLANTADOR	DOSIMETER RING
LB.208	RACOR T	T FITTING
V...5	TUBO GOMA 10X16 20 ATM	20ATM 10X17 RUBBER PIPE
V...62	ABRAZADERA 12-20	12-20 CLAMP
V..132	ELECTROVAL.1 VIA LAV.220V	WASH 1 WAY 220V SOLENOID
V..133	ELECTROVAL.2 VIA LAV.220V	WASH 2 WAYS 220V SOLENOID
V..415	TOMA LAVADORA 1,5M	QUALITY 1.5M.INLET W.FLEX
V..449	TUBO NYLON 4X6mm (1MT)	(1M) 4X6mm NYLON PIPE
V..546	JUNTA GOMA 3/4	WATER INLET RUBBER GASKET
V..815	TOMA LAVADORA 2 METROS	2 MT.INLET WATER FLEXIBLE
V..848	TOMA LAVADORA 1.5M INOX	INOX 1.5M INLET WATER FL.
V..849	TOMA LAV.INOX 2MT.3/4X3/4	INOX 2MT.INLET WATER FLE.
V..978	FILTRO DOSIFICADOR	DOSIMETER FILTER



REF.	DESCRIPCIÓN	DESCRIPTION
F.1640	JUNTA ALIMENTARIA	ALIMENTARY GASKET
H...5	RESIST.CALDERIN 2700W 230V	2700W 230V BOILER RESISTANCE
H25007	TUERCA PLASTICO	PLASTIC NUT
H25259	JUNTA GOMA	RUBBER GASKET
H25714	TORNILLO INOX	INOX SCREW
H29938	JUNTA RESIST.TRIANG.GOMA	RESISTANCE RUBBER GASKET
LB..16	ROCIADORES ACLARADO	WASHING SPRAY
LB..26	ARBOL ACLARADO 1200/1800	1200/1800 RINSE TREE
LB..27	ARBOL ACLARADO 36/1200	36/1200 RINSE TREE
LB..28	ARBOL LAVADO 36/1200	36/1200 WASH TREE
LB..34	ARBOL ACLARADO 3000/600	3000/600 RINSE TREE
LB..35	RESISTENCIA CUBA 2000W 230V	2000W 230V TANK RESISTANCE
LB..45	SOPORTE ARBOL ACLARADO	RINSING ARM SUPPORT
LB..52	ARBOL LAVADO 1200/1800	LC1200/1800 WASH TREE
LB..53	ARBOL LAVADO 3000/600	3000/600 WASH TREE
LB..67	RACOR ASTA LAV.LARGO MOD.	MOD.LONG WAS.ARM FITTING
LB.100	ARBOL LAVADO 2500/450	2500/450 WASH TREE
LB.101	ARBOL ACLARADO 2500/450	2500/450 RINSE TREE
LB.104	CALDER.36/1200/1700/1800/2500	36/1200/1700/1800/2500 BOILER
LB.108	JUNTA RACOR GOMA	FITTING RUBBER GASKET
LB.109	TUERCA LATON	FITTING NUT
LB.110	BICONO LATON	BICONE
LB.121	CALDERIN LC-2000 3000/600	3000/600 BOILER
LB.122	RESIST.CALDERIN 3000W 230V	3000W 230V BOILER RESISTANCE
LB.130	RACOR ASTA LAV.CORTO ANT.	OLD WASHING ARM FITTING
LB.131	RACOR LAVADO	WASHING FITTING
LB.220	T GRANDE SUPERIOR	UPPER BIG T
LB.221	TUBO CORTO ARBOL LAVADO	WASHING TREE SHORT PIPE
LB.222	CODO PLASTICO ARBOL LAVA.	WASHING TREE PLASTIC ELB.
LB.223	TUBO LARGO ARBOL LAVADO	WASHING TREE LONG PIPE
LB.224	TUBO PLASTICO 1 SALIDA	1 WAY PLASTIC PIPE
LB.225	T INFERIOR 1 SALIDA	1 WAY LOWER T
LB.244	TORNILLO DESAGÜE CALDERIN	BOILER OUTLET SCREW
LB.245	JUNTA GOMA	RUBBER GASKET
R...15	JUNTA COBRE	COPPER GASKET

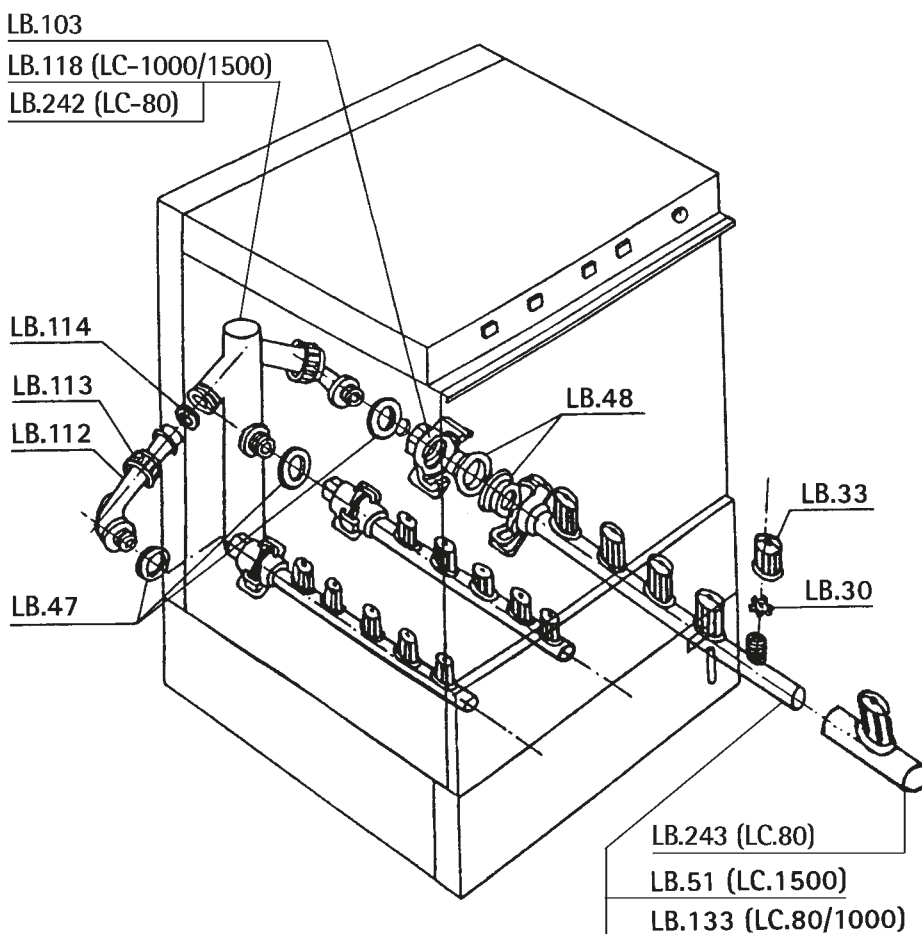




MODELO/MODEL	ANTIGUO	MODERNO
36/1200/1800	LB.167	LB.63
2500/3000	LB.64	LB.168

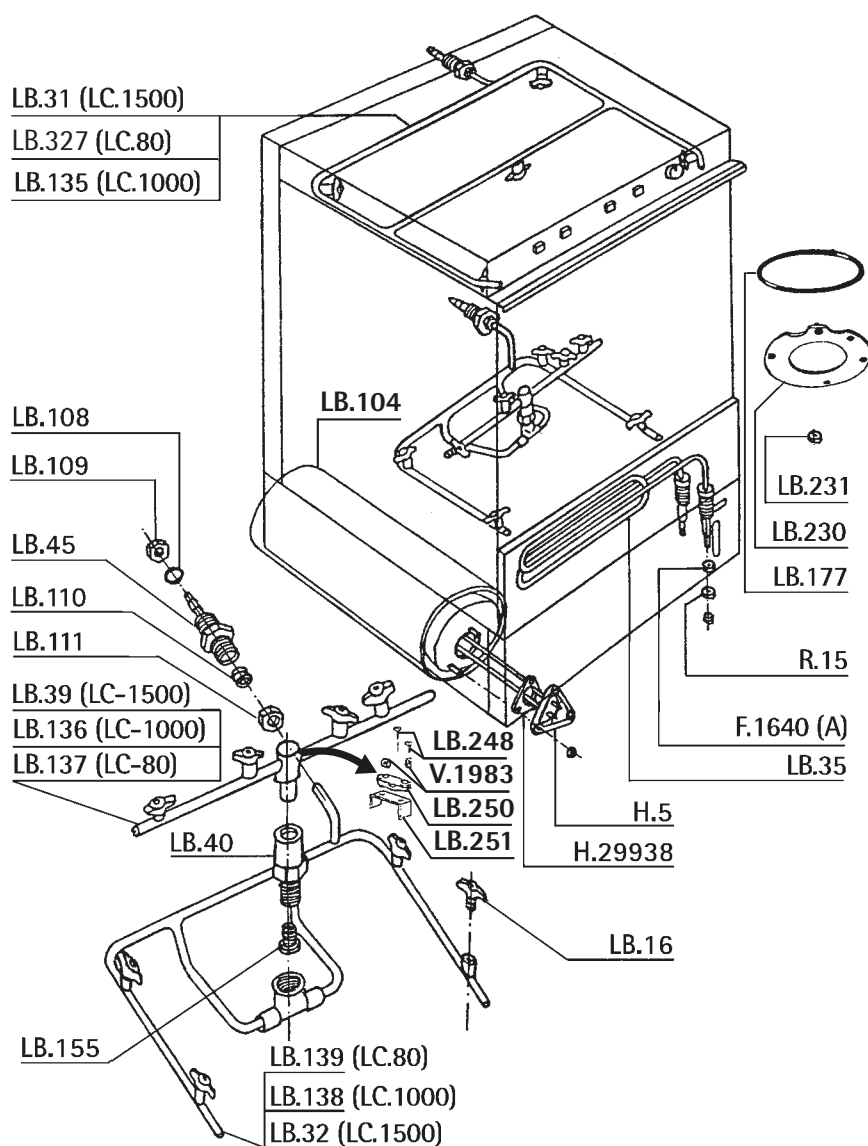
REF.	DESCRIPCIÓN	DESCRIPTION
DH.117	ABRAZADERA 46-70	46-70 CLAMP
F..53	ESFERA INOX	INOX SPHERE
F..598	CONDENSADOR 8 MF.220V	220V 8MF CONDENSER
H25001	BASE FILTRO	FILTER BASE
H25005	TUERCA PLASTICO	PLASTIC NUT
H25006	TUERCA PLASTICO	PLASTIC NUT
H25015	SOBRENIVEL	OVERFLOW
H25019	SOPORTE FILTRO	FILTER SUPPORT
H25107	RACOR DESAGÜE	DRAIN FITTING
H25260	JUNTA GOMA	RUBBER GASKET
H25261	JUNTA GOMA	RUBBER GASKET
H25688	TORNILLO INOX	INOX SCREW
H25807	ABRAZADERA 25-40	25-40 CLAMP
LB..20	VOLANTE 29CM	29CM.ROTATING PLATE
LB..21	VOLANTE 40.5CM.	40.5CM. ROTATING PLATE
LB..37	EJE VOLANTE 2500-3000	2500/3000 ROT. PLATE ROD
LB..41	MANGUITO	SLEEVE
LB..42	MANGUITO 36-1200-LC1000	36-1200-LC1000 SLEEVE
LB..54	EJE VOLANTE 36-1200-1800	36-1200/1800 PLATE ROD
LB..63	BASE 36-1200-1800 MODERNA	36-1200-1800 MOD.SUPPORT
LB..64	BASE 2500/3000 ANTIGUA	2500/3000 OLD BASE
LB..77	MOTOR LAV.1/4 CV	1/4 CV WASHING MOTOR
LB..90	TUERCA PLASTICO FILTRO	FILTER NUT
LB..91	FILTR.36-1200-1000/LC1500/1700	36-1200-1800-LC1500/1700 FILT.
LB..95	CODO1500/1700/1800/2500/3000	1500/1700/1800/2500/3000 ELBOW
LB..96	MOTOR LAV.1/2	1/2CV WASHING MOTOR
LB..98	MOTOR LAV.3/4CV 3000/600	3/4CV WASHING MOTOR
LB.109	TUERCA LATON	FITTING NUT
LB.132	FILTRO INOX 2500-3000	2500-3000 INOX FILTER
LB.145	RACOR DESAGÜE MODERNO	MODERN DRAIN FITTING
LB.167	BASE 36-1200-1800 ANTIGUO	36-1200-1800 OLD SUPPORT
LB.168	BASE MODERNO 2500/3000	2500/3000 MODERN BASE
LB.169	PALOMILLA FIJACION VOLANTE	FIXATION SMUGGLER
LB.171	RACOR DOS.INOX .L.46mm 3/8M	L.46mm LONG DOSIM.FITTING
LB.172	RACOR DOSI.3/8M L.40mm	L.40mm SHORT DOSI.FITTING
LB.216	RACOR DESAGÜE MODERNO 35mm	35mm MODERN DRAIN FITTING
LB.217	RACOR DESAGÜE ANTIGUO 15mm	OLD DRAIN FITTING
LB.226	TUERCA VOLANTE 1200/1800	1200/1800 ROTAT.PLATE NUT
LB.227	TUERCA VOLANTE 2500/3000	2500/3000 ROTAT.PLATE NUT
LB.228	RODAMIENTO 1200/1800	36/1200/1800 ROLLER
LB.229	RODAMIENTO 2500/3000	2500/3000 ROLLER
LB.236	RACOR DESAG. PLAST.ANTIGUO	OLD PLASTIC DRAIN FITTING
LF.676	TORICA	RING
V..55	CONDENSADOR 10 MF 220V	220V 10MF.CONDENSER
V..200	TUBO DESAGÜE 17mm 1,8mt	17mm. 1.8mt OUTLET PIPE
V..201	TUBO DESAGÜE 28mm. 1,5mt.	28mm. 1.5mt OUTLET PIPE

Lavado LC-80 / LC-1000 / LC-1500 antiguo ■ Old LC-80/LC-1000 / LC-1500 Wash

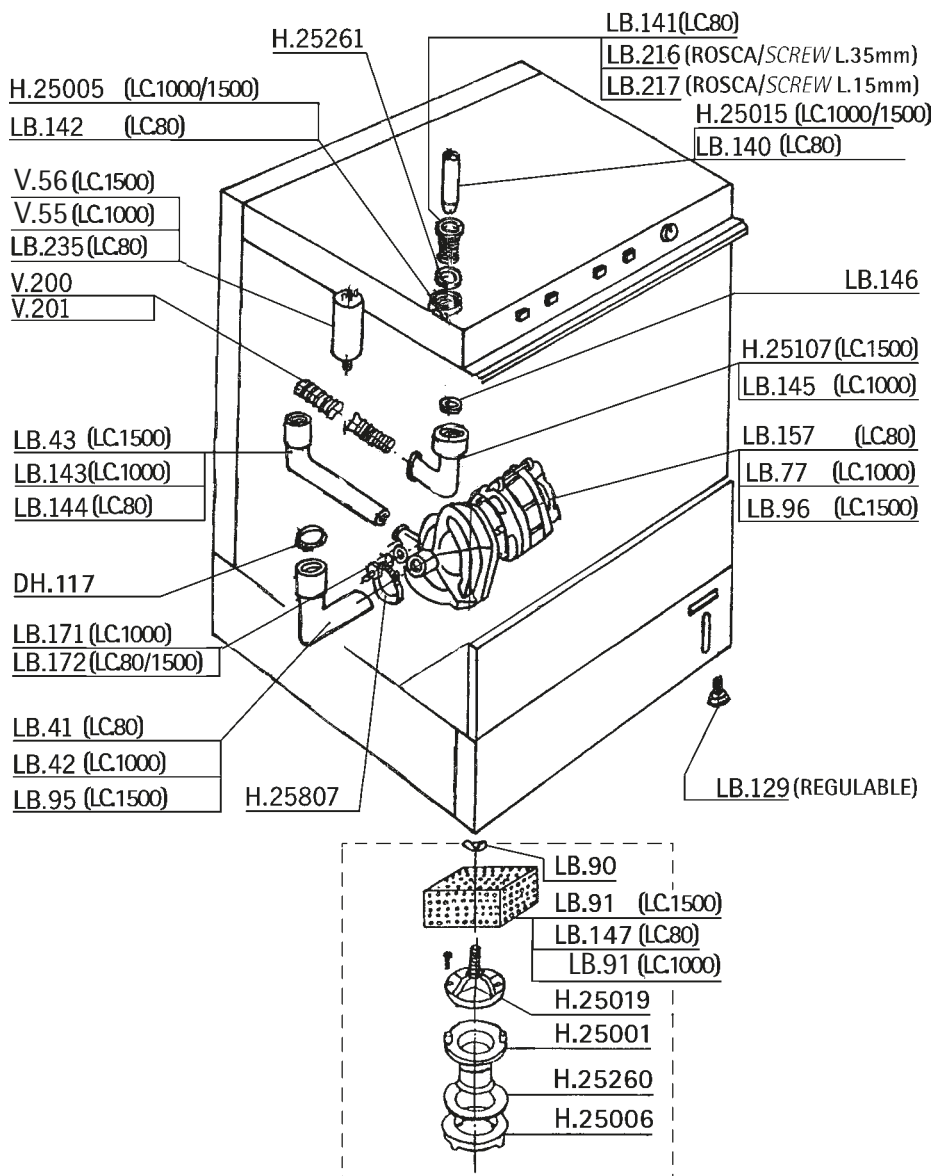


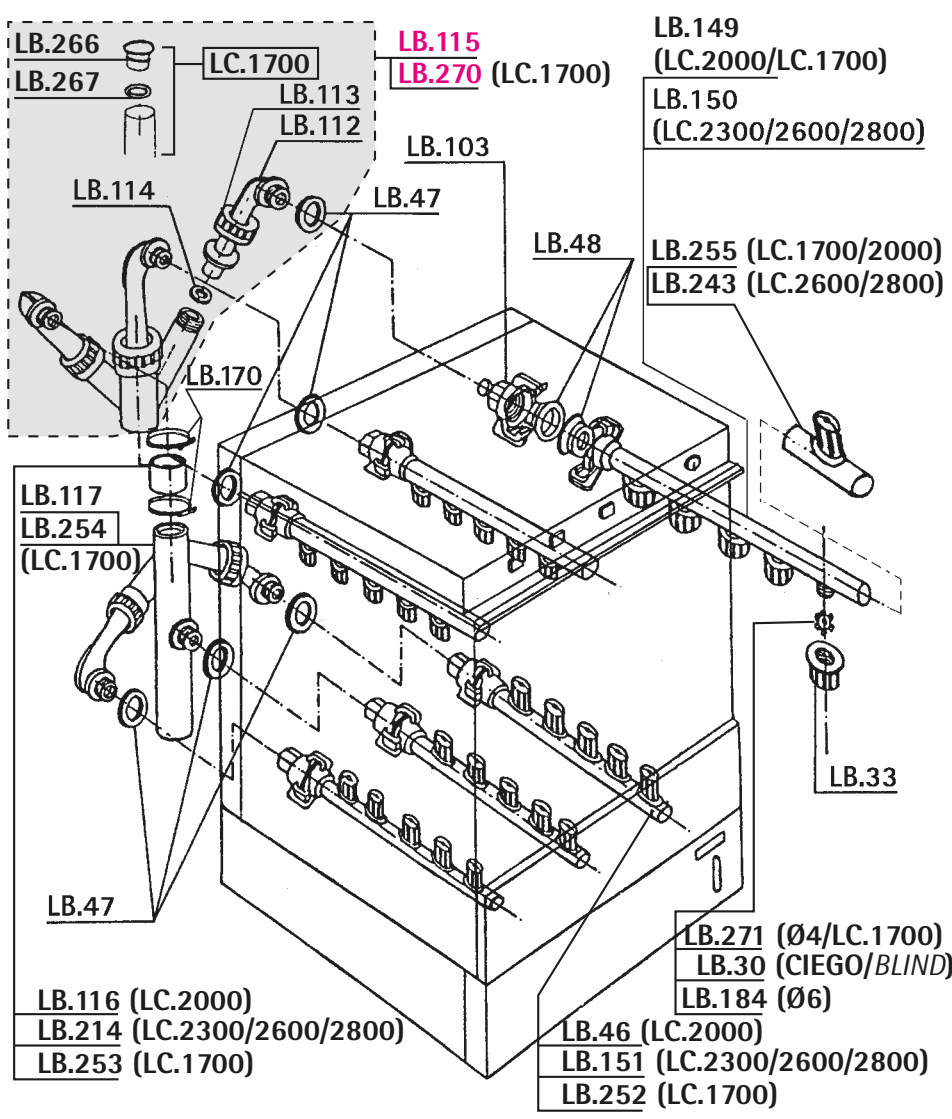
REF.	DESCRIPCIÓN	DESCRIPTION
LB..30	ESTRANGULAD.LAVADO CIEGO	BLIND WASHING SWIRL
LB..33	TAPON SURTIDOR ARBOL LAVA	WATER SPOUT CAP
LB..47	JUNTA DISTRIBUIDOR ALIMENTARIA	DISTRIBUT. ALIMENTARY GASKET
LB..48	JUNTA ARBOL LAVADO	WASH ARM SILICONE GASKET
LB..51	ARBOL LAVADO LC-1500	LC-1500 WASH TREE
LB.103	RACOR ARBOL LAVADO	WASHING ARM FITTING
LB.112	CODO DISTRIBUIDOR	DISTRIBUTOR ELBOW
LB.113	TUERCA PLASTICO CODO DISTRIB.	DISTRIB. ELBOW NUT
LB.114	JUNTA TUERCA GOMA	NUT RUBBER GASKET
LB.118	DISTRIB.INF.LC-1000/1500	LC-1000/1500 LOWER DIST.
LB.133	ARBOL LAVADO LC-80/1000	LC-80/1000 RINSE TREE
LB.242	DISTRIBUIDOR INF.LC-80	LC-80 LOWER DISTRIBUTOR
LB.243	EMPALME ARBOL LAVADO	WASHING TREE UNION

REF.	DESCRIPCIÓN	DESCRIPTION
F.1640	JUNTA ALIMENTARIA	ALIMENTARY GASKET
H...5	RESIST.CALDERIN 2700W 230V	2700W 230V BOILER RESISTANCE
H29938	JUNTA RESIST.TRIANG.GOMA	RESISTANCE RUBBER GASKET
LB..16	ROCIADORES ACLARADO	WASHING SPRAY
LB..31	ARBOL ACLAR.SUPER.LC-1500	LC 1500 RINSE UPPER TREE
LB..32	ARBOL ACLAR.INFLC-1500	LC 1500 RINSE LOWER TREE
LB..35	RESISTENCIA CUBA 2000W 230V	2000W 230V TANK RESISTANCE
LB..39	CTO.GIRATORIO LC-1500/1700	LC-1500/1700 REVOLVING WHOLE
LB..40	SOPORTE GIRATORIO	REVOLVING SUPPORT
LB..45	SOPORTE ARBOL ACLARADO	RINSING ARM SUPPORT
LB.104	CALDER.36/1200/1700/1800/2500	36/1200/1700/1800/2500 BOILER
LB.108	JUNTA RACOR GOMA	FITTING RUBBER GASKET
LB.109	TUERCA LATON	FITTING NUT
LB.110	BICONO LATON	BICONE
LB.111	TUERCA ASTA ACLARADO	RINSE ARM NUT
LB.135	ARBOL ACLAR. SUPERIOR LC1000	LC-1000 RINSE TREE
LB.136	GIRATORIO LC-1000	LC-1000 GYRATORY
LB.137	GIRATORIO LC-80	LC-80 GYRATORY
LB.138	ARBOL ACLARADO LC-1000	LC-1000 RINSE TREE
LB.139	ARBOL ACLARADO INFERIOR LC-80	LC-80 RINSE TREE
LB.155	TUERCA GIRATORIO	REVOLVING ARM NUT
LB.177	TORICA RESISTENCIA GOMA	RESISTANCE RUBBER RING
LB.230	CHAPA RESISTENCIA	RESISTANCE PLATE
LB.231	TUERCA RESISTENCIA	RESISTANCE NUT
LB.248	TORNILLO INOX	SCREW INOX
LB.250	SOPORTE SUP. GIRAT. MODERNO	MODERN UPPER GYRATORII SUPPORT
LB.251	P/INF.VOLANTE ARB.ENJ.GIRATOR	MODERN LOWER GYRATORII SUPPORT
LB.327	ARBOL ACLARADO SUPERIOR LC80	LC80 INOX LOWER WASH ARM
R...15	JUNTA COBRE	COPPER GASKET
V.1983	TUERCA M-3 INOX	DIN934 INOX NUT

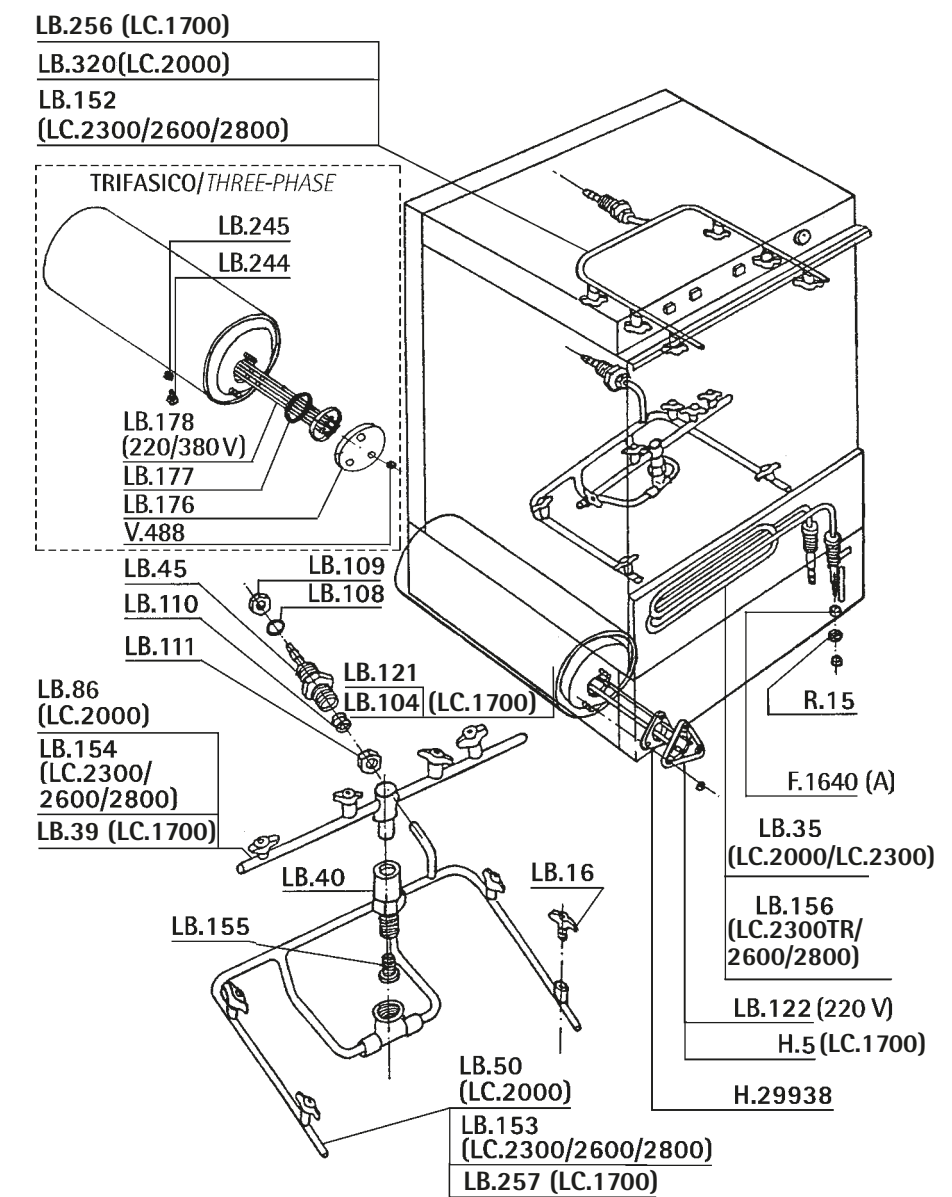


REF.	DESCRIPCIÓN	DESCRIPTION
DH.117	ABRAZADERA 46-70	46-70 CLAMP
H25001	BASE FILTRO	FILTER BASE
H25005	TUERCA PLASTICO	PLASTIC NUT
H25006	TUERCA PLASTICO	PLASTIC NUT
H25015	SOBRENIVEL	OVERFLOW
H25019	SOPORTE FILTRO	FILTER SUPPORT
H25107	RACOR DESAGÜE	DRAIN FITTING
H25260	JUNTA GOMA	RUBBER GASKET
H25261	JUNTA GOMA	RUBBER GASKET
H25807	ABRAZADERA 25-40	25-40 CLAMP
LB..41	MANGUITO	SLEEVE
LB..42	MANGUITO 36-1200-LC1000	36-1200-LC1000 SLEEVE
LB..43	CODO IMPULSO	IMPULSE ELBOW
LB..77	MOTOR LAV.1/4 CV	1/4 CV WASHING MOTOR
LB..90	TUERCA PLASTICO FILTRO	FILTER NUT
LB..91	FILTR.36-1200-1000/LC1500/1700	36-1200-1800-LC1500/1700 FILT.
LB..95	CODO1500/1700/1800/2500/3000	1500/1700/1800/2500/3000 ELBOW
LB..96	MOTOR LAV 1/2	1/2CV WASHING MOTOR
LB.129	PATA REGULABLE	ADJUSTABLE FOOT
LB.140	SOBRENIVEL	OVERFLOW
LB.141	RACOR ACODADO LC-80	LC-80 ELBOW DRAIN FITTING
LB.142	TUERCA RACOR LC-80	LC-80 FITTING NUT
LB.143	MANGUITO IMPULSO LC-1000	LC-1000 IMPULSE SLEEVE
LB.144	MANGUITO IMPULSO LC-80	LC-80 IMPULSE SLEEVE
LB.145	RACOR DESAGÜE MODERNO	MODERN DRAIN FITTING
LB.146	JUNTA CODO GOMA	ELBOW RUBBER GASKET
LB.147	FILTRO INOX MOD.LC-80/140	LC-80 MOD. INOX. FILTER
LB.157	MOTOR LAV.0,15CV	0.15CV WASHING MOTOR
LB.171	RACOR DOSI.INOX .L.46mm 3/8M	L.46mm LONG DOSIM.FITTING
LB.172	RACOR DOSI.3/8M L.40mm	L.40mm SHORT DOSI.FITTING
LB.216	RACOR DESAGÜE MODERNO 35mm	35mm MODERN DRAIN FITTING
LB.217	RACOR DESAGÜE ANTIG-O 15mm	OLD DRAIN FITTING
LB.235	CONDENSADOR 6,3 MF	6,3 MF CONDENSER
V...55	CONDENSADOR 10 MF 220V	220V 10MF.CONDENSER
V...56	CONDENSADOR 12,5 MF 220V	12,5MF 220V CONDENSER
V..200	TUBO DESAGÜE 17mm 1,8mt	17mm. 1.8mt OUTLET PIPE
V..201	TUBO DESAGÜE 28mm. 1,5mt.	28mm. 1.5mt OUTLET PIPE



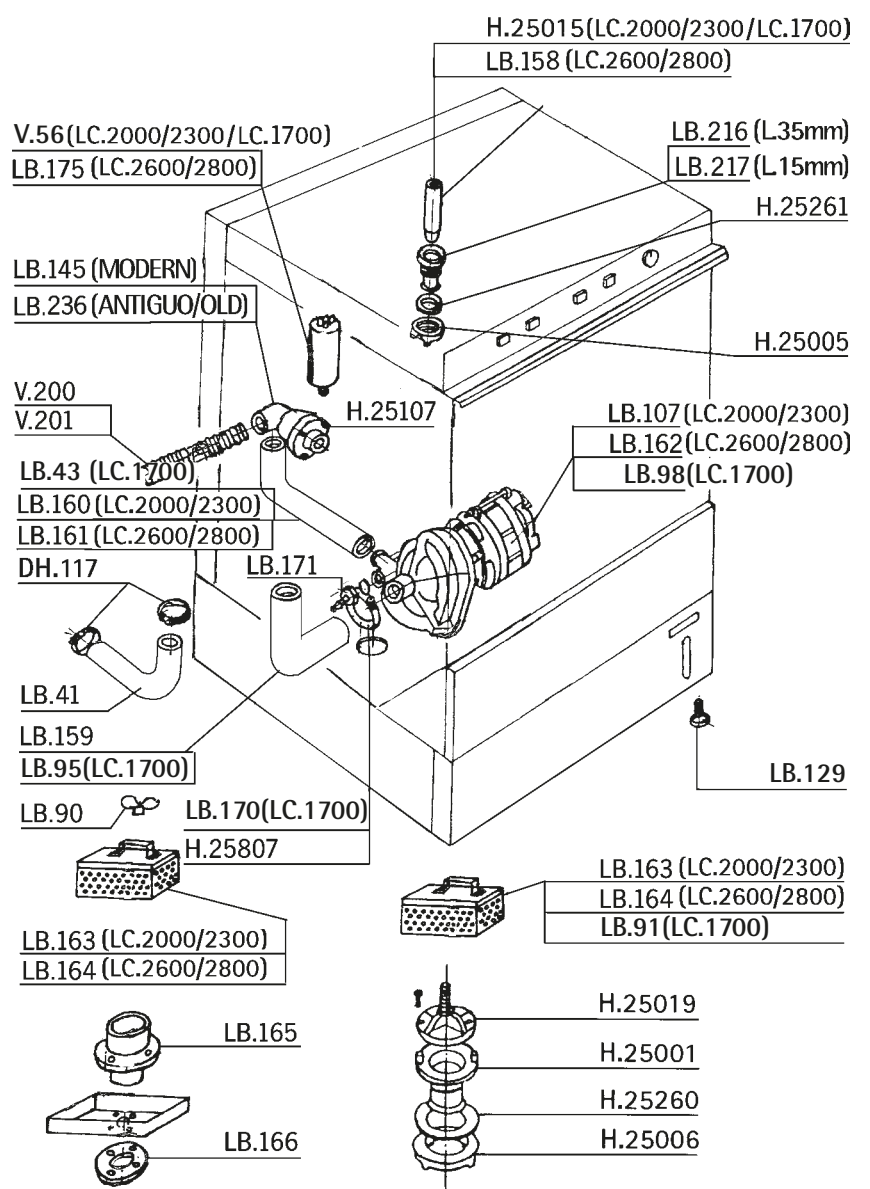


REF.	DESCRIPCIÓN	DESCRIPTION
LB..30	ESTRANGULAD.LAVADO CIEGO	BLIND WASHING SWIRL
LB..46	TAPON SURTIDOR ARBOL LAVA	WATER SPOUT CAP
LB..47	ARBOL LAVADO LC-2000	LC-2000 WASH TREE
LB..48	JUNTA DISTRIBUIDOR ALIMENTARIA	DISTRIBUT. ALIMENTARY GASKET
LB.103	JUNTA ARBOL LAVADO	WASH ARM SILICONE GASKET
LB.112	RACOR ARBOL LAVADO	WASHING ARM FITTING
LB.113	CODO DISTRIBUIDOR	DISTRIBUIDOR ELBOW
LB.114	TUERCA PLASTICO CODO DISTRIB.	DISTRIB. ELBOW NUT
LB.115	JUNTA TUERCA GOMA	NUT RUBBER GASKET
LB.116	DISTRIBUIDOR LAVADO SUP.	UPPER WASHING DISTRIBUTOR
LB.117	MANGUITO EMPALME LC-2000	LC-2000 UNION SLEEVE
LB.149	DISTRIBUIDOR LAVADO INF.	LOWER WASHING DISTRIBUTOR
LB.150	ARBOL LAVADO SUP.LC-2000	LC-2000 UPPER WASH TREE
LB.151	ARBOL LAVADO SUPERIOR	UPPER WASHING TREE
LB.151	ARBOL LAVADO INFERIOR	LOWER WASHING TREE
LB.170	ABRAZADERA 40-60	40-60 CLAMP
LB.184	ESTRANG.LAVADO C.AGUJERO	WITH HOLE WASHING SWIRL
LB.214	MANGUITO LC2300/2600/2800	LC2300-2600/2800 SLEEVE
LB.243	EMPALME ARBOL LAVADO	WASHING TREE UNION
LB.252	ARBOL LAVADO INFERIOR LC-1700	LC-1700 LOWER WASHING TREE
LB.253	MANGUITO EMPALME	SLEEVE
LB.254	DISTRIBUIDOR LAV.INFERIOR 1700	LC1700 LOWER WASH DISTRIBUTOR
LB.255	EMPALME LAVADO	WASH SLEEVE
LB.266	TAPON DISTRIBUIDOR	DISTRIBUTOR CAP
LB.267	JUNTA TAPON DISTRIBUIDOR	DISTRIBUTOR CAP GASKET
LB.270	DISTRIBUIDOR SUPERIOR LC-1700	LC-1700 UPPER DISTRIBUTOR
LB.271	ESTRANGULAD.LAVAGE D.4 LC1700	D.4 LC1700 WASH SWIRL

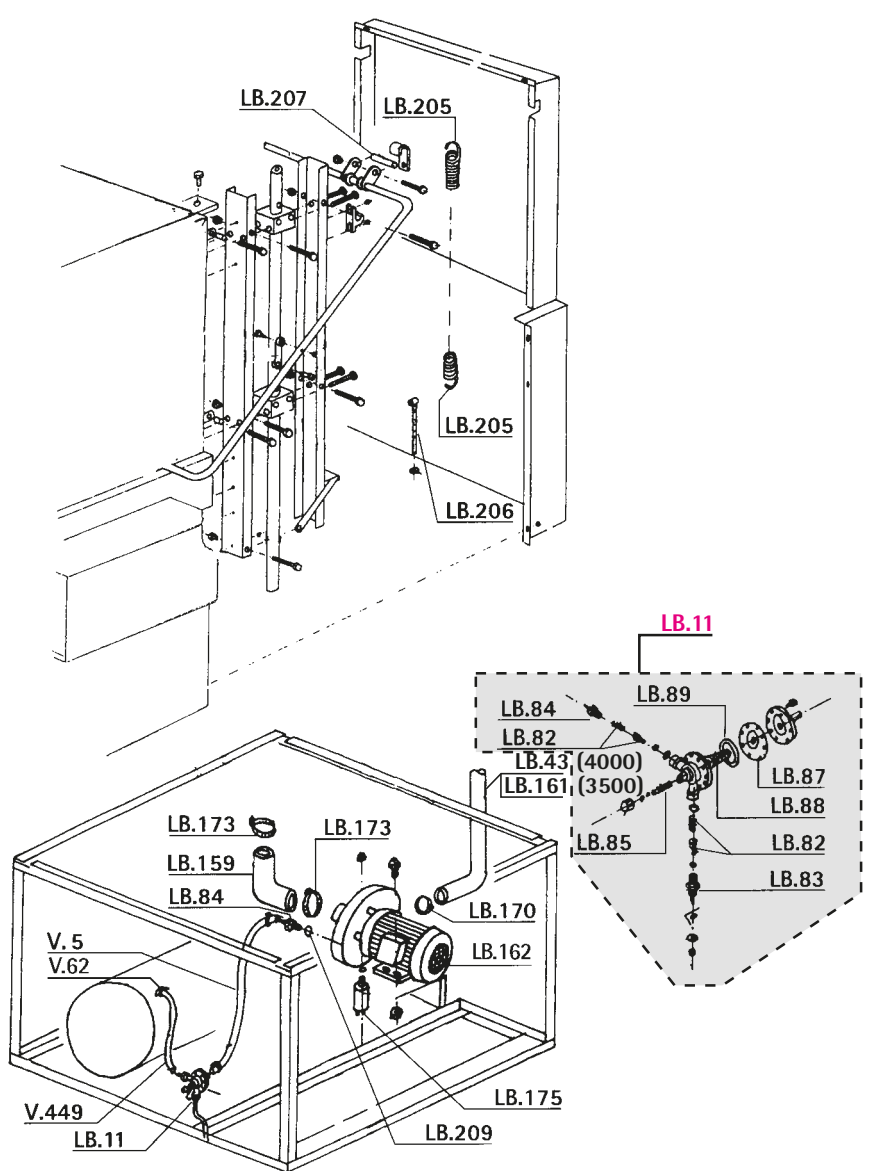


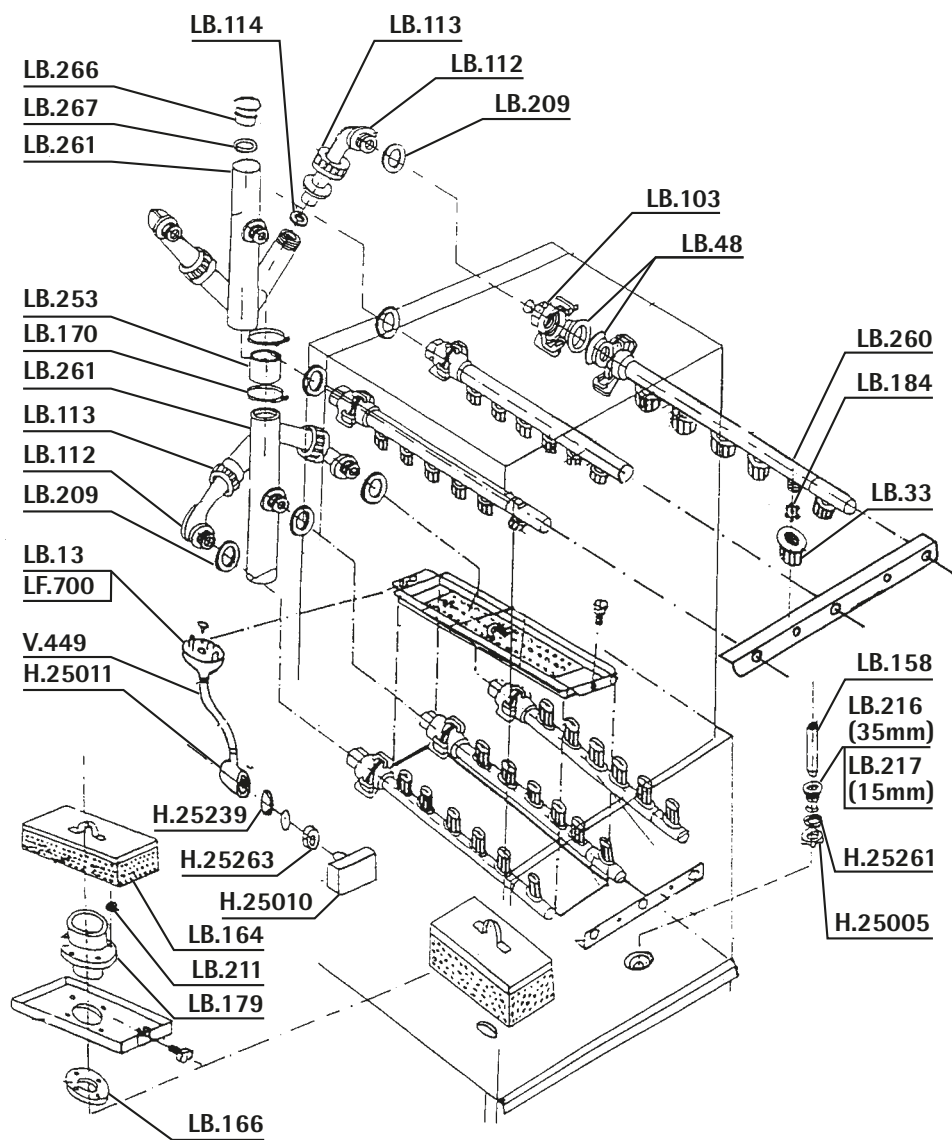
REF.	DESCRIPCIÓN	DESCRIPTION
F.1640	JUNTA ALIMENTARIA	ALIMENTARY GASKET
H...5	RESIST.CALDERIN 2700W 230V	2700W 230V BOILER RESISTANCE
H29938	JUNTA RESIST.TRIANG.GOMA	RESISTANCE RUBBER GASKET
LB..16	ROCIADORES ACLARADO	WASHING SPRAY
LB..35	RESISTENCIA CUBA 2000W 230V	2000W 230V TANK RESISTANCE
LB..39	CTO.GIRATORIO LC-1500/1700	LC-1500/1700 REVOLVING WHOLE
LB..40	SOPORTE GIRATORIO	REVOLVING SUPPORT
LB..45	SOPORTE ARBOL ACLARADO	RINSING ARM SUPPORT
LB..50	ARBOL ACLARADO INF.LC2000	LC-2000 LOWER RINSE TREE
LB..86	GIRATORIO LC-2000	LC-2000 GYRATORY
LB.104	CALDER.36/1200/1700/1800/2500	36/1200/1700/1800/2500 BOILER
LB.108	JUNTA RACOR GOMA	FITTING RUBBER GASKET
LB.109	TUERCA LATON	FITTING NUT
LB.110	BICONO LATON	BICONE
LB.111	TUERCA ASTA ACLARADO	RINSE ARM NUT
LB.121	CALDERIN LC-2000 3000/600	3000/600 BOILER
LB.122	RESIST.CALDERIN 3000W 230V	3000W 230V BOILER RESISTANCE
LB.152	ARBOL ACLARADO SUPERIOR	RINSE UPPER TREE
LB.153	ARBOL ACLARADO INFERIOR	RINSE LOWER TREE
LB.154	ARBOL GIRATORIO ACLARADO	RINSE GYRATORY TREE
LB.155	TUERCA GIRATORIO	REVOLVING ARM NUT
LB.156	RESISTENCIA CUBA 3000W	3000W TANK RESISTANCE
LB.176	ARANDELA RESISTENCIA	RESISTANCE WASHER
LB.177	TORICA RESISTENCIA GOMA	RESISTANCE RUBBER RING
LB.178	RES.CALDERIN 6000W 230/400V	6000W 230/400V BOILER RESIST.
LB.244	TORNILLO DESAGÜE CALDERIN	BOILER OUTLET SCREW
LB.245	JUNTA GOMA	RUBBER GASKET
LB.256	ARBOL ACLARADO SUP.LC-1700	LC-1700 UPPER RINSE ARM
LB.257	ARBOL ACLARADO INF. LC-1700	LC-1700 LOWER RINSE ARM
LB.320	ARBOL ACLARADO SUP.LC2000 INOX	LC2000 INOX SUPPER RINSE ARM
R...15	JUNTA COBRE	COPPER GASKET
V..488	TUERCA M-8	M-8 NUT

REF.	DESCRIPCIÓN	DESCRIPTION
DH.117	ABRAZADERA 46-70	46-70 CLAMP
H25001	BASE FILTRO	FILTER BASE
H25005	TUERCA PLASTICO	PLASTIC NUT
H25006	TUERCA PLASTICO	PLASTIC NUT
H25015	SOBRENIVEL	OVERFLOW
H25019	SOPORTE FILTRO	FILTER SUPPORT
H25107	RACOR DESAGÜE	DRAIN FITTING
H25260	JUNTA GOMA	RUBBER GASKET
H25807	ABRAZADERA 25-40	25-40 CLAMP
LB..41	MANGUITO	SLEEVE
LB..43	CODO IMPULSO	IMPULSE ELBOW
LB..90	TUERCA PLASTICO FILTRO	FILTER NUT
LB..91	FILTR.36-1200-1000/LC1500/1700	36-1200-1800-LC1500/1700 FILT.
LB..95	CODO1500/1700/1800/2500/3000	1500/1700/1800/2500/3000 ELBOW
LB..98	MOTOR LAV.3/4CV 3000/600	3/4CV WASHING MOTOR
LB.107	MOTOR LC-200/2300 1HP	LC-2000/2300 1CV MOTOR
LB.129	PATA REGULABLE	ADJUSTABLE FOOT
LB.145	RACOR DESAGÜE MODERNO	MODERN DRAIN FITTING
LB.158	NIVEL LC 2800-2600-4000	LC2800-2600-4000 OVERFLOW
LB.159	MANGUITO ASPIRACION	SUCTION SLEEVE
LB.160	MANG.IMPULSO LC-2000/2300	LC-2000/2300 IMPUL.SLEEVE
LB.161	MANGUITO LC-2600/2800	LC-2600/2800 SLEEVE
LB.162	MOTOR LC-2600/2800 1,5CV	1.5CV LC2600/2800 MOTOR
LB.163	FILTRO INOX LC-2000/2300	LC-2000/2300 INOX FILTER
LB.164	FILTRO LC 2800-2600-3500-4000	LC 2800-2600-4000 FILTER
LB.165	SOPORTE FILTRO	REVOLVING ARM SUPPORT
LB.166	JUNTA SOPORTE FILTRO GOMA	FILTER SUPPORT RUB.GASKET
LB.170	ABRAZADERA 40-60	40-60 CLAMP
LB.175	CONDENSADOR 31.5 MF	31.5 MF CONDENSER
LB.216	RACOR DESAGÜE MODERNO 35mm	35mm MODERN DRAIN FITTING
LB.217	RACOR DESAGÜE ANTIGÜO 15mm	OLD DRAIN FITTING
LB.236	RACOR DESAG.PLAST.ANTIGÜO	OLD PLASTIC DRAIN FITTING
V..56	CONDENSADOR 12,5 MF 220V	12,5MF 220V CONDENSER
V..200	TUBO DESAGÜE 17mm 1,8mt	17mm. 1.8mt OUTLET PIPE
V..201	TUBO DESAGÜE 28mm. 1,5mt.	28mm. 1.5mt OUTLET PIPE

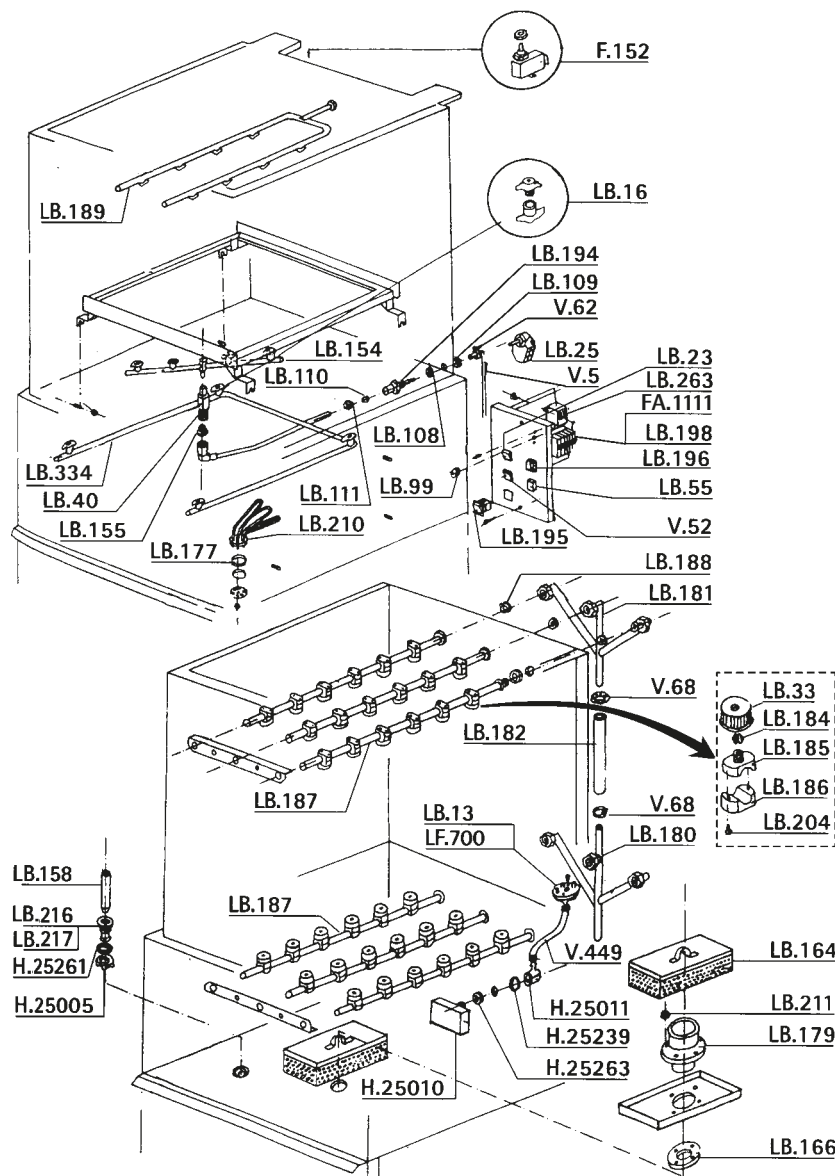


REF.	DESCRIPCIÓN	DESCRIPTION
LB..11	DOSIFICADOR ABRILLANTADOR	RINSE AID DOSIMETER
LB..43	CODO IMPULSO	IMPULSE ELBOW
LB..82	KIT VALVULA ANTIRETORNO	RETENTION VALVE KIT
LB..83	RACOR ENTRADA DOSIFICADO	DOSIMETER INLET FITTING
LB..84	RACOR SALIDA DOSIFICADOR	DOSIMETER OUTLET FITTING
LB..85	EJE DOSF.ABRILLANTADOR	DOSIMETER ROD
LB..87	MEMBRANA DOSF.ABRILLANTAD	DOSIMETER MEMBRANE
LB..88	MUELLE DOSF.ABRILLANTADOR	DOSIMETER SPRING
LB..89	TORICA DOSF.ABRILLANTADOR	DOSIMETER RING
LB.159	MANGUITO ASPIRACION	SUCTION SLEEVE
LB.161	MANGUITO LC-2600/2800	LC-2600/2800 SLEEVE
LB.162	MOTOR LC-2600/2800 1,5CV	1.5CV LC2600/2800 MOTOR
LB.170	ABRAZADERA 40-60	40-60 CLAMP
LB.173	ABRAZADERA 60-80	60-80 CLAMP
LB.175	CONDENSADOR 31.5 MF	31.5 MF CONDENSER
LB.205	MUELLE	SPRING
LB.206	TENSOR	TIGHTENER
LB.207	EJE	ROD
LB.209	JUNTA PLANA SILICONA	FLAT SILICONE GASKET
V....5	TUBO GOMA 10X16 20 ATM	20ATM 10X17 RUBBER PIPE
V..62	ABRAZADERA 12-20	12-20 CLAMP
V..449	TUBO NYLON 4X6mm (1MT)	(1M) 4X6mm NYLON PIPE



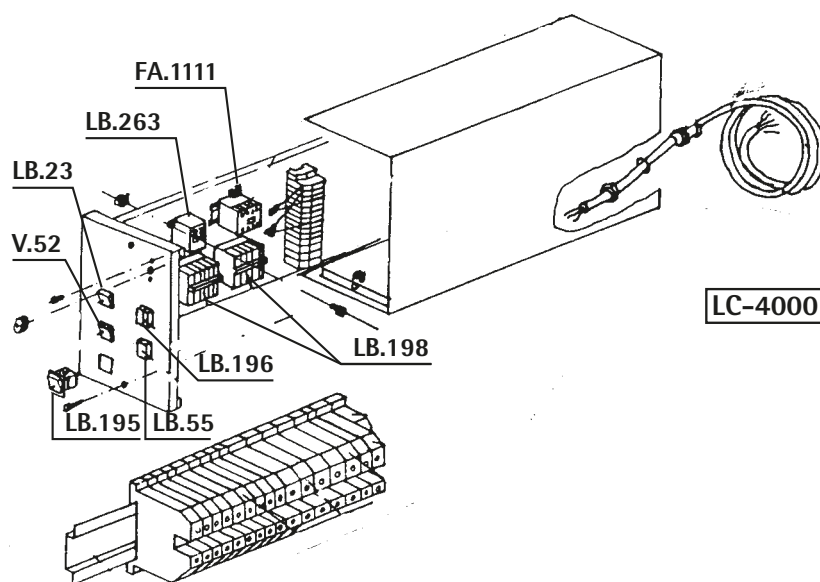
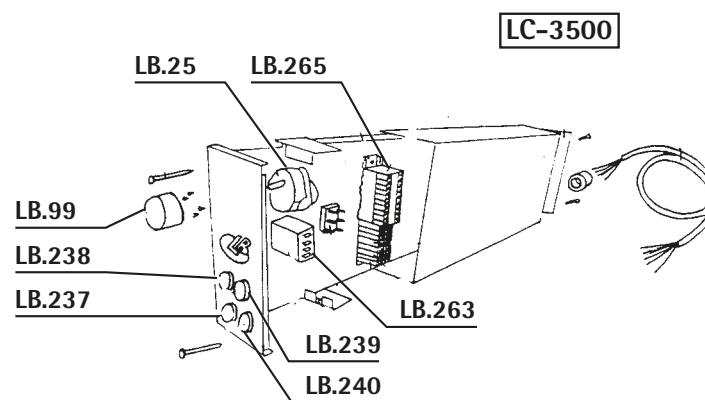


REF.	DESCRIPCIÓN	DESCRIPTION
H25005	TUERCA PLASTICO	PLASTIC NUT
H25010	CAMARA PRESOSTATICA	PRESSURE SWITCH CHAMBER
H25011	RACOR PLASTICO	FITTING
H25239	TORICA CIERRE	CLOSING RING
H25261	JUNTA GOMA	RUBBER GASKET
H25263	JUNTA CIERRE GOMA	CLOSING RUBBER GASKET
LB..13	PRESOSTATO SAL.VERT.85/60	VERTICAL PRESSURE SWITCH
LB..33	TAPON SURTIDOR ARBOL LAVA	WATER SPOUT CAP
LB..48	JUNTA ARBOL LAVADO	WASH ARM SILICONE GASKET
LB.103	RACOR ARBOL LAVADO	WASHING ARM FITTING
LB.112	CODO DISTRIBUIDOR	DISTRIBUTOR ELBOW
LB.113	TUERCA PLASTICO CODO DISTRIB.	DISTRIB. ELBOW NUT
LB.114	JUNTA TUERCA GOMA	NUT RUBBER GASKET
LB.158	NIVEL LC 2800-2600-4000	LC2800-2600-4000 OVERFLOW
LB.164	FILTRO LC 2800-2600-3500-4000	LC 2800-2600-4000 FILTER
LB.166	JUNTA SOPORTE FILTRO GOMA	FILTER SUPPORT RUB.GASKET
LB.170	ABRAZADERA 40-60	40-60 CLAMP
LB.179	SOPORTE FILTRO	FILTER SUPPORT
LB.184	ESTRANG.LAVADO C.AGUJERO	WITH HOLE WASHING SWIRL
LB.209	JUNTA PLANA SILICONA	FLAT SILICONE GASKET
LB.211	TUERCA	NUT
LB.216	RACOR DESAGÜE MODERNO 35mm	35mm MODERN DRAIN FITTING
LB.217	RACOR DESAGÜE ANTIG-O 15mm	OLD DRAIN FITTING
LB.253	MANGUITO EMPALME	SLEEVE
LB.260	ARBOL LAVADO	WASH ARM
LB.261	DISTRIBUIDOR INFERIOR	LOWER DISTRIBUTOR
LB.266	TAPON DISTRIBUIDOR	DISTRIBUTOR CAP
LB.267	JUNTA TAPON DISTRIBUIDOR	DISTRIBUTOR CAP GASKET
LF.700	PRESOSTATO SAL/HOR.80/50	50/80 HORIZ.PRESS SWITCH
V.449	TUBO NYLON 4X6mm (1MT)	(1M) 4X6mm NYLON PIPE

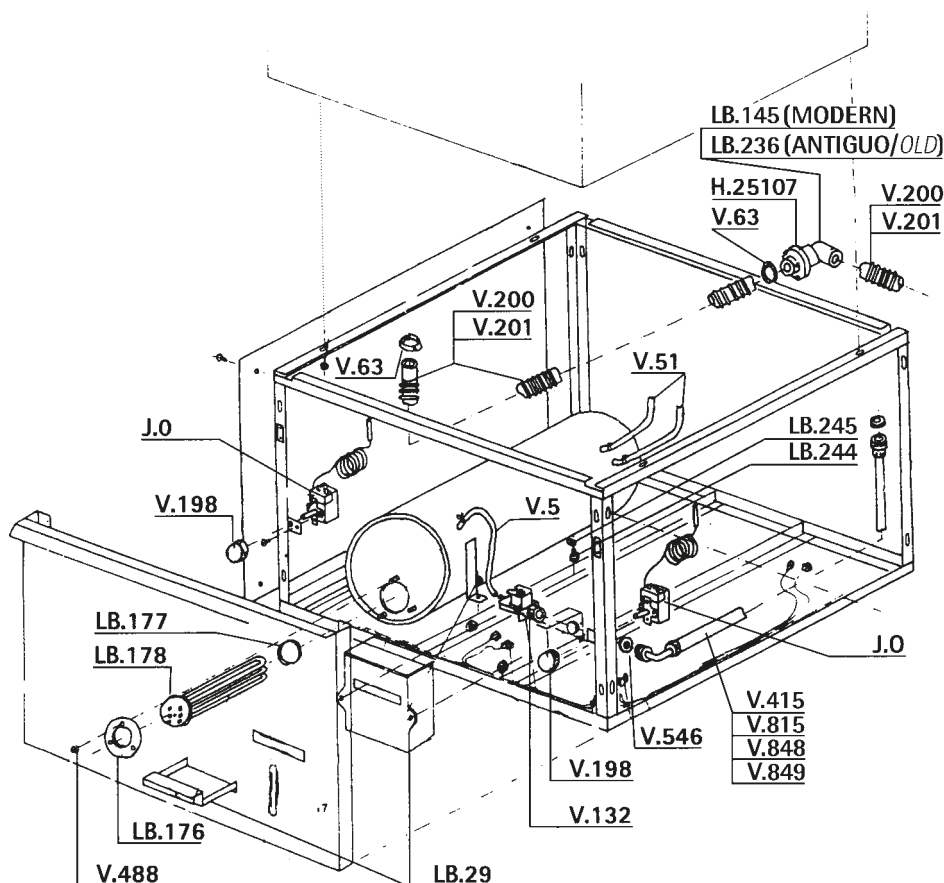


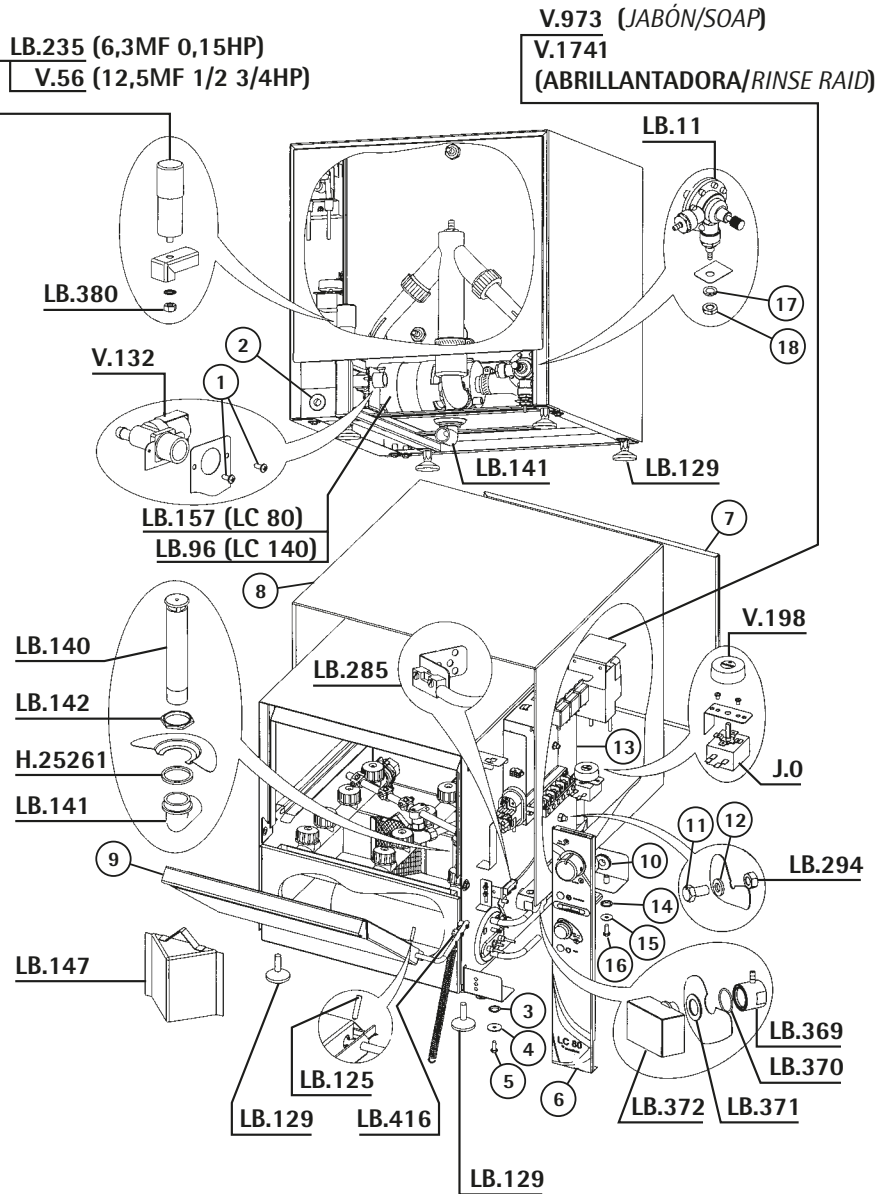
REF.	DESCRIPCIÓN	DESCRIPTION
F.152	MICRO PULSADOR 250V 10A	250V 10A BUTTON MICRO
FA1111	CONTACTOR 220V	220V RELAY
H25005	TUERCA PLASTICO	PLASTIC NUT
H25010	CAMARA PRESOSTATICA	PRESSURE SWITCH CHAMBER
H25011	RACOR PLASTICO	FITTING
H25239	TORICA CIERRE	CLOSING RING
H25261	JUNTA GOMA	RUBBER GASKET
H25263	JUNTA CIERRE GOMA	CLOSING RUBBER GASKET
LB..13	PRESOSTATO SAL.VERT.85/60	VERTICAL PRESSURE SWITCH
LB..16	ROCIADORES ACLARADO	WASHING SPRAY
LB..23	INTERRUPTOR 4FAXTON VERDE	GREEN 4 FAXTON SWITCH
LB..25	PROGRAMADOR CICLO 2MICROS	2TOOTH CYCLE TIMER
LB..33	TAPON SURTIDOR ARBOL LAVA	WATER SPOUT CAP
LB..40	SOPORTE GIRATORIO	REVOLVING SUPPORT
LB..55	PILOTO ROJO 220V	220V RED WARNING LAMP
LB..99	POMO PROGRAMADOR	TIMER HANDLE
LB.108	JUNTA RACOR GOMA	FITTING RUBBER GASKET
LB.109	TUERCA LATON	FITTING NUT
LB.110	BICONO LATON	BICONE
LB.111	TUERCA ASTA ACLARADO	RINSE ARM NUT
LB.154	ARBOL GIRATORIO ACLARADO	RINSE GYRATORY TREE
LB.155	TUERCA GIRATORIO	REVOLVING ARM NUT
LB.158	NIVEL LC 2800-2600-4000	LC2800-2600-4000 OVERFLOW
LB.164	FILTRO LC 2800-2600-3500-4000	LC 2800-2600-4000 FILTER
LB.166	JUNTA SOPORTE FILTRO GOMA	FILTER SUPPORT RUB.GASKET
LB.177	TORICA RESISTENCIA GOMA	RESISTANCE RUBBER RING
LB.179	SOPORTE FILTRO	FILTER SUPPORT
LB.180	DISTRIBUIDOR INFERIOR	LOWER DISTRIBUTOR
LB.181	DISTRIBUIDOR SUPERIOR	UPPER DISTRIBUTOR
LB.182	EMPALME DISTRIBUIDORES	DISTRIBUTOR UNION
LB.184	ESTRANG.LAVADO C.AGUJERO	WITH HOLE WASHING SWIRL
LB.185	SOPORTE SUPROCIADOR LAV.	UPPER SPRAY SUPPORT
LB.186	SOPORTE INFROCIADOR LAV.	LOWER SPRAY SUPPORT
LB.187	ARBOL LAVADO	WASHING TREE
LB.188	JUNTA ARBOL LAVADO ALIMENTARIA	WASHING TREE ALIM.T.GASKET
LB.189	ARBOL ACLA SUP INOX 3500/4000	RINSE UPPER TREE
LB.194	RACOR ARBOL ACLARADO	RINSE TREE FITTING
LB.195	PULSADOR AMARILLO 6 FAXTON	6FAXTON YELLOW PUSH-BUTT.
LB.196	PILOTO DOBLE AMBAR/ROJO	YELLOW/RED DOUBLE LAMP
LB.198	CONTACTOR RESISTENCIA	RESISTANCE CONTACTOR
LB.204	TORNILLO INOX	INOX SCREW
LB.210	RESISTENCIA CUBA 5000W 230V	TANK RESISTANCE 5000W 230V
LB.211	TUERCA	NUT
LB.216	RACOR DESAGÜE MODERNO 35mm	35mm MODERN DRAIN FITTING
LB.217	RACOR DESAGÜE ANTIG-O 15mm	OLD DRAIN FITTING
LB.263	RELE PROGRAMADOR	TIMER RELAY
LB.334	ARBOL ACLA INF INOX LC3500/400	RINSE ARM
LF.700	PRESOSTATO SAL/HOR.80/50	50/80 HORIZ.PRESS SWITCH
V...5	TUBO GOMA 10X16 20 ATM	20ATM 10X17 RUBBER PIPE
V..52	CONMUTADOR 6 FASTON ROJO	RED FASTON 6 SWITCH
V..62	ABRAZADERA 12-20	12-20 CLAMP
V..68	ABRAZADERA 32-50	35-50 CLAMP
V.449	TUBO NYLON 4X6mm (1MT)	(1M) 4X6mm NYLON PIPE

REF.	DESCRIPCIÓN	DESCRIPTION
FA1111	CONTACTOR 220V	220V RELAY
LB..23	INTERRUPTOR 4FAXTON VERDE	GREEN 4 FAXTON SWITCH
LB..25	PROGRAMADOR CICLO 2MICROS	2TOOTH CYCLE TIMER
LB..55	PILOTO ROJO 220V	220V RED WARNING LAMP
LB..99	POMO PROGRAMADOR	TIMER HANDLE
LB.195	PULSADOR AMARILLO 6 FAXTON	6FAXTON YELLOW PUSH-BUTT.
LB.196	PILOTO DOBLE AMBAR/ROJO	YELLOW/RED DOUBLE LAMP
LB.198	CONTACTOR RESISTENCIA	RESISTANCE CONTACTOR
LB.237	PILOTO REDONDO ROJO	ROUND RED WARNING LAMP
LB.238	INTERRUPTO.ON-OFF REDONDO VERD	ROUND ON-OFF SWITCH
LB.239	PILOTO REDONDO AMBAR	ROUND YELLOW LAMP
LB.240	PILOTO VERDE REDONDO	ROUND GREEN LAMP
LB.263	RELE PROGRAMADOR	TIMER RELAY
LB.265	CONTACTOR BOMBA	PUMP CONTACTOR
V...52	CONMUTADOR 6 FASTON ROJO	RED FASTON 6 SWITCH

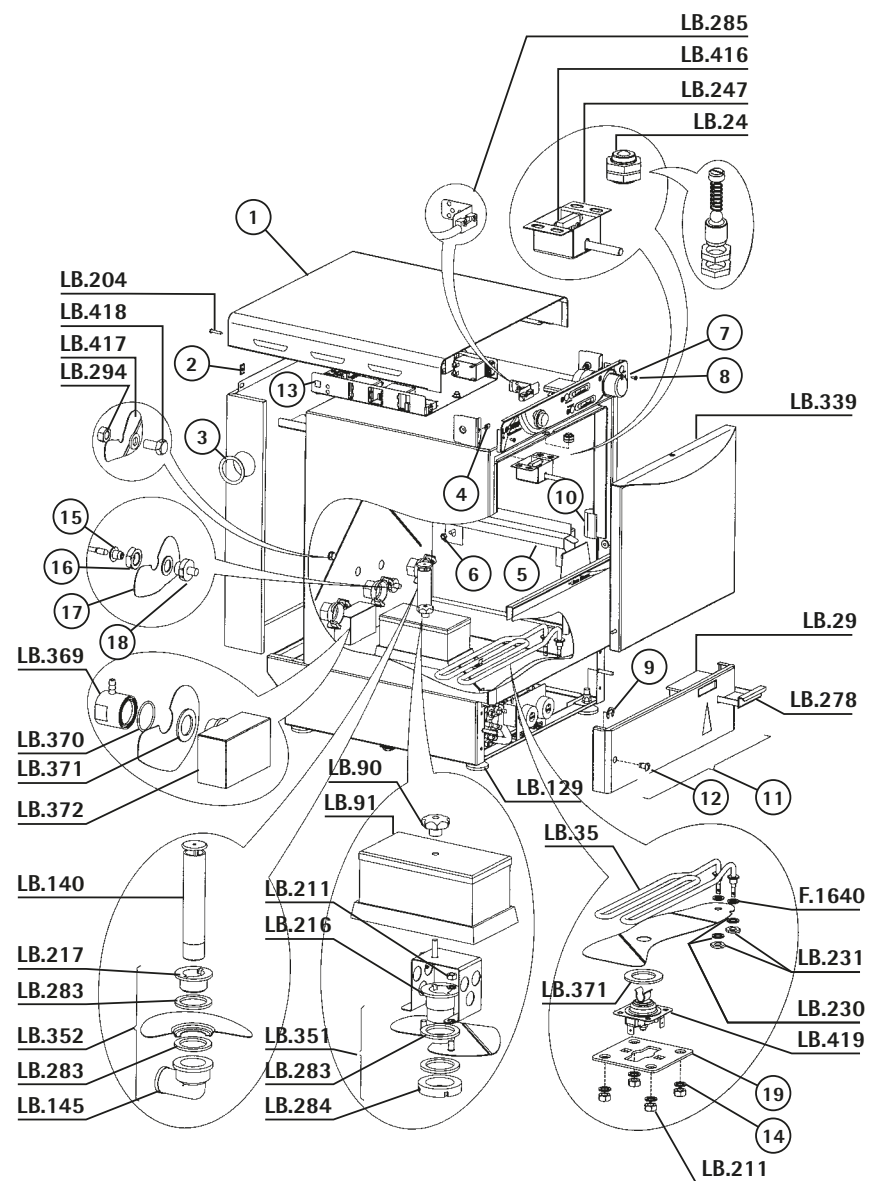


REF.	DESCRIPCIÓN	DESCRIPTION
H25107	RACOR DESAGÜE	DRAIN FITTING
J...0	TERMOSTATO 0-90°	0-90° THERMOSTAT
LB..29	DEPOSITO ABRILL.CUADRADO	SQUARE RINS.AID CONTAINER
LB.145	RACOR DESAGÜE MODERNO	MODERN DRAIN FITTING
LB.176	ARANDELA RESISTENCIA	RESISTANCE WASHER
LB.177	TORICA RESISTENCIA GOMA	RESISTANCE RUBBER RING
LB.178	RES.CALDERIN 6000W 230/400V	6000W 230/400V BOILER RESIST.
LB.236	RACOR DESAG.PLAST.ANTIGUO	OLD PLASTIC DRAIN FITTING
LB.244	TORNILLO DESAGÜE CALDERIN	BOILER OUTLET SCREW
LB.245	JUNTA GOMA	RUBBER GASKET
V...5	TUBO GOMA 10X16 20 ATM	20ATM 10X17 RUBBER PIPE
V...51	TUBO GOMA 20 ATM.8x17	8x17 20 ATM.PIPE
V..63	ABRAZADERA 20-32	20-35 CLAMP
V..132	ELECTROVAL.1 VIA LAV.220V	WASH 1 WAY 220V SOLENOID
V..198	MANDO TERMOSTATO 90°	90° THERMOSTAT HANDLE
V..200	TUBO DESAGÜE 17mm 1,8mt	17mm. 1.8mt OUTLET PIPE
V..201	TUBO DESAGÜE 28mm. 1,5mt.	28mm. 1.5mt OUTLET PIPE
V..415	TOMA LAVADORA 1,5M	QUALITY 1.5M.INLET W.FLEX
V..488	TUERCA M-8	M-8 NUT
V..546	JUNTA GOMA 3/4	WATER INLET RUBBER GASKET
V..815	TOMA LAVADORA 2 METROS	2 MT.INLET WATER FLEXIBLE
V..848	TOMA LAVADORA 1.5M INOX	INOX 1.5M INLET WATER FL.
V..849	TOMA LAV.INOX 2MT.3/4X3/4	INOX 2MT.INLET WATER FLE.





REF.	DESCRIPCIÓN	DESCRIPTION
H25261	JUNTA GOMA	RUBBER GASKET
J....0	TERMOSTATO 0-90°	0-90° THERMOSTAT
LB..11	DOSIFICADOR ABRILLANTADOR	RINSE AID DOSIMETER
LB..96	MOTOR LAV 1/2	1/2CV WASHING MOTOR
LB.125	EJE PUERTA LC-80	LC-80 DOOR ROD
LB.129	PATA REGULABLE	ADJUSTABLE FOOT
LB.140	SOBRENIVEL	OVERFLOW
LB.141	RACOR ACODADO LC-80	LC-80 ELBOW DRAIN FITTING
LB.142	TUERCA RACORD LC-80	LC-80 FITTING NUT
LB.147	FILTRO INOX MOD.LC-80/140	LC-80 MOD. INOX. FILTER
LB.157	MOTOR LAV.0,15CV	0.15CV WASHING MOTOR
LB.235	CONDENSADOR 6,3 MF	6,3 MF CONDENSER
LB.285	INTERRUPTOR PUERTA	DOOR SWITCH
LB.294	TUERCA	NUT
LB.369	CAMARA PRESOSTATICA	PRESSURE SWITCH CHAMBER
LB.370	JUNTA CAMARA PRESOSTATICA	PRESSURE SWITCH CHAMBER GASKET
LB.371	JUNTA PLANA CAMARA	PLANE GASKET
LB.372	CUERPO CAMARA PRESOSTATICA	PRESSURE SWITCH CHAMBER BODY
LB.380	TUERCA INOX M10	INOX NUT M10
LB.416	MAGNETO	MAGNETO
V...56	CONDENSADOR 12,5 MF 220V	12,5MF 220V CONDENSER
V..132	ELECTROVAL.1 VIA LAV.220V	WASH 1 WAY 220V SOLENOID
V..198	MANDO TERMOSTATO 90°	90° THERMOSTAT HANDLE
V..973	DOSIFICADOR PERISTALTICO INTER	INTERNAL PERISTALTIC DOS.
V.1741	DOSIFABRILL.INTERNO 230V AC	230Vac INTERNAL RINSE DOSIMET



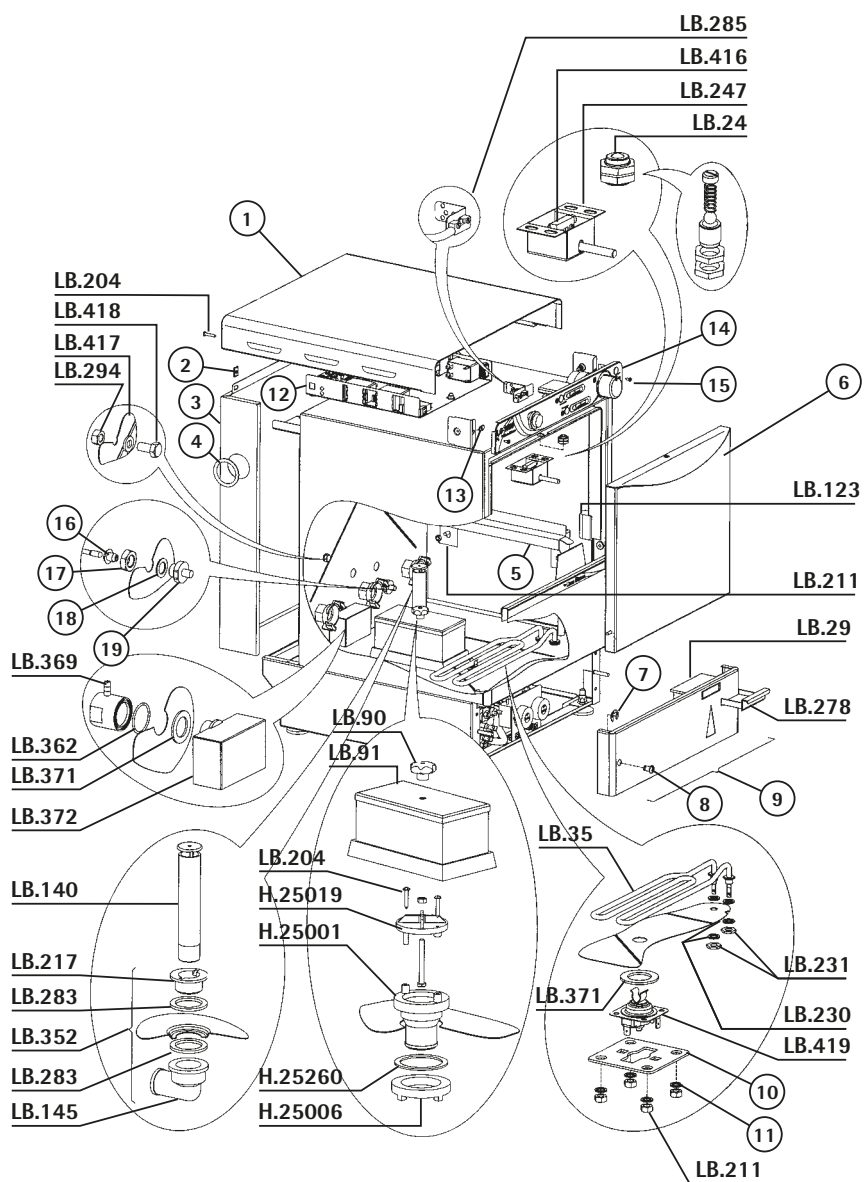
REF.	DESCRIPCIÓN	DESCRIPTION
F.1640	JUNTA ALIMENTARIA	ALIMENTARY GASKET
LB..24	CIERRE PUERTA TODOS MODEL	ALL MODELS CLOSING DOOR
LB..29	DEPOSITO ABRILL.CUADRADO	SQUARE RINS.AID CONTAINER
LB..35	RESISTENCIA CUBA 2000W 230V	2000W 230V TANK RESISTANCE
LB..90	TUERCA PLASTICO FILTRO	FILTER NUT
LB..91	FILTR.36-1200-1000/LC1500/1700	36-1200-1800-LC1500/1700 FILT.
LB.129	PATA REGULABLE	ADJUSTABLE FOOT
LB.140	SOBRENIVEL	OVERFLOW
LB.145	RACOR DESAGÜE MODERNO	MODERN DRAIN FITTING
LB.204	TORNILLO INOX	INOX SCREW
LB.211	TUERCA	NUT
LB.216	RACOR DESAGÜE MODERNO 35mm	35mm MODERN DRAIN FITTING
LB.217	RACOR DESAGÜE ANTIG-0 15mm	OLD DRAIN FITTING
LB.230	CHAPA RESISTENCIA	RESISTANCE PLATE
LB.231	TUERCA RESISTENCIA	RESISTANCE NUT
LB.247	IMAN PUERTA COMPLETO	COMPLET DOOR MAGNET
LB.278	CAJON DEPOSITO ABRILLANTADOR	RINSE AID TANK BOX
LB.283	JUNTA PLANA	PLANE GASKET
LB.284	TUERCA	NUT
LB.285	INTERRUPTOR PUERTA	DOOR SWITCH
LB.294	TUERCA	NUT
LB.339	PUERTA COMPLETA LC1000	LC1000 COMPLET DOOR
LB.351	CONJUNTO DESAGÜE ANTIGUO	KIT OLD OUT PIPE
LB.352	CONJUNTO DESAGÜE MODERNO	KIT MODERN OUT PIPE
LB.369	CAMARA PRESOSTATICA	PRESSURE SWITCH CHAMBER
LB.370	JUNTA CAMARA PRESOSTATICA	PRESSURE SWITCH CHAMBER GASKET
LB.371	JUNTA PLANA CAMARA	PLANE GASKET
LB.372	CUERPO CAMARA PRESOSTATICA	PRESSURE SWITCH CHAMBER BODY
LB.416	MAGNETO	MAGNETO
LB.417	ARANDELA	WASHER
LB.418	TORNILLO	SCREW
LB.419	TERMOSTATO SEGURIDAD CUBA	TANK SAFETY THERMOSTAT

If you cannot find the component you are looking for, do contact us. We will help you.

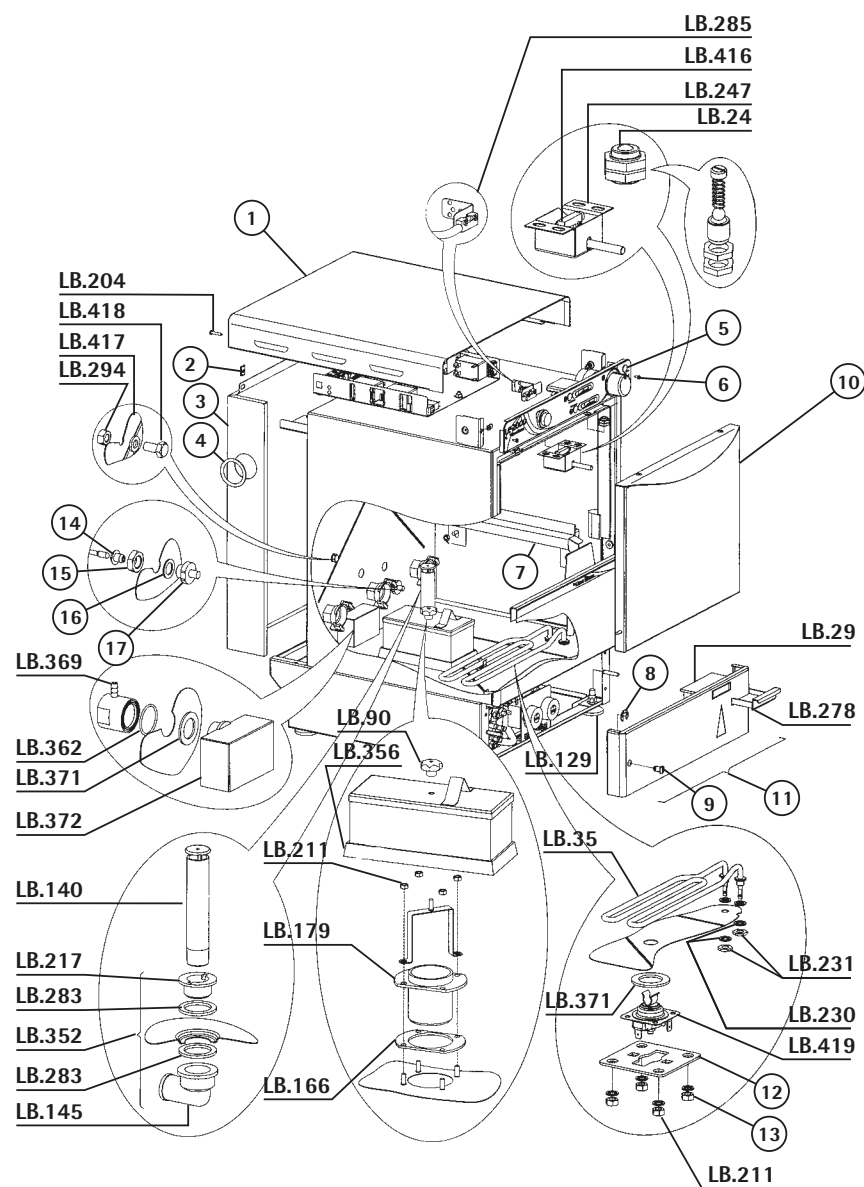


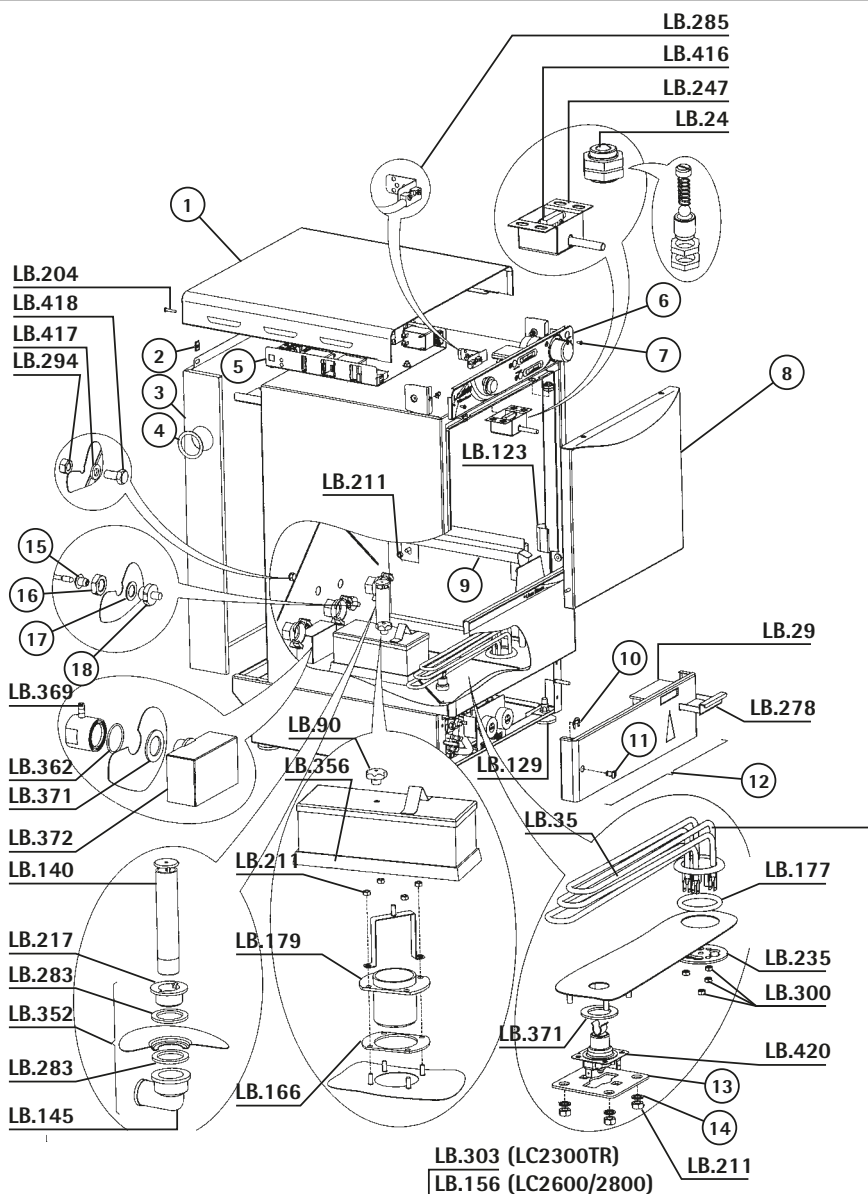
Tel: 93 377 64 11
Fax: 93 377 98 03
ascaso@ascaso.com

REF.	DESCRIPCIÓN	DESCRIPTION
H25001	BASE FILTRO	FILTER BASE
H25006	TUERCA PLASTICO	PLASTIC NUT
H25019	SOPORTE FILTRO	FILTER SUPPORT
H25260	JUNTA GOMA	RUBBER GASKET
LB..24	CIERRE PUERTA TODOS MODEL	ALL MODELS CLOSING DOOR
LB..29	DEPOSITO ABRILL.CUADRADO	SQUARE RINS.AID CONTAINER
LB..35	RESISTENCIA CUBA 2000W 230V	2000W 230V TANK RESISTANCE
LB..90	TUERCA PLASTICO FILTRO	FILTER NUT
LB..91	FILTR.36-1200-1000/LC1500/1700	36-1200-1800-LC1500/1700 FILT.
LB.123	TOPE PUERTA	DOOR STOP
LB.140	SOBRENIVEL	OVERFLOW
LB.145	RACOR DESAGÜE MODERNO	MODERN DRAIN FITTING
LB.204	TORNILLO INOX	INOX SCREW
LB.211	TUERCA	NUT
LB.217	RACOR DESAGÜE ANTIG.O 15mm	OLD DRAIN FITTING
LB.230	CHAPA RESISTENCIA	RESISTANCE PLATE
LB.231	TUERCA RESISTENCIA	RESISTANCE NUT
LB.247	IMAN PUERTA COMPLETO	COMPLET DOOR MAGNET
LB.278	CAJON DEPOSITO ABRILLANTADOR	RINSE AID TANK BOX
LB.283	JUNTA PLANA	PLANE GASKET
LB.285	INTERRUPTOR PUERTA	DOOR SWITCH
LB.294	TUERCA	NUT
LB.352	CONJUNTO DESAGÜE MODERNO	KIT MODERN OUT PIPE
LB.362	JUNTA EJE DOSIFICADOR	DOSIMETER ROD GASKET
LB.369	CAMARA PRESOSTATICA	PRESSURE SWITCH CHAMBER
LB.371	JUNTA PLANA CAMARA	PLANE GASKET
LB.372	CUERPO CAMARA PRESOSTATICA	PRESSURE SWTICH CHAMBER BODY
LB.416	MAGNETO	MAGNETO
LB.417	ARANDELA	WASHER
LB.418	TORNILLO	SCREW
LB.419	TERMOSTATO SEGURIDAD CUBA	TANK SAFETY THERMOSTAT



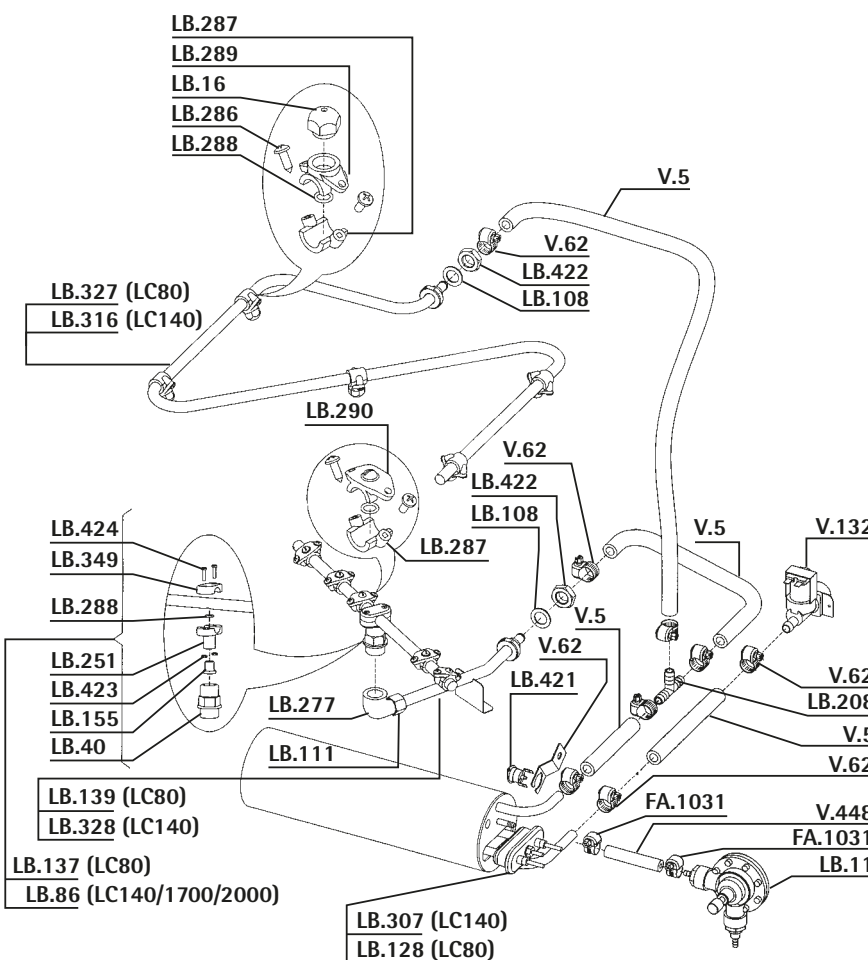
REF.	DESCRIPCIÓN	DESCRIPTION
LB..24	CIERRE PUERTA TODOS MODEL	ALL MODELS CLOSING DOOR
LB..29	DEPOSITO ABRILL.CUADRADO	SQUARE RINS.AID CONTAINER
LB..35	RESISTENCIA CUBA 2000W 230V	2000W 230V TANK RESISTANCE
LB..90	TUERCA PLASTICO FILTRO	FILTER NUT
LB.129	PATA REGULABLE	ADJUSTABLE FOOT
LB.140	SOBRENIVEL	OVERFLOW
LB.145	RACOR DESAGÜE MODERNO	MODERN DRAIN FITTING
LB.166	JUNTA SOPORTE FILTRO GOMA	FILTER SUPPORT RUB.GASKET
LB.179	SOPORTE FILTRO	FILTER SUPPORT
LB.204	TORNILLO INOX	INOX SCREW
LB.211	TUERCA	NUT
LB.217	RACOR DESAGÜE ANTIG.O 15mm	OLD DRAIN FITTING
LB.230	CHAPA RESISTENCIA	RESISTANCE PLATE
LB.231	TUERCA RESISTENCIA	RESISTANCE NUT
LB.247	IMAN PUERTA COMPLETO	COMPLET DOOR MAGNET
LB.278	CAJON DEPOSITO ABRILLANTADOR	RINSE AID TANK BOX
LB.283	JUNTA PLANA	PLANE GASKET
LB.285	INTERRUPTOR PUERTA	DOOR SWITCH
LB.294	TUERCA	NUT
LB.352	CONJUNTO DESAGÜE MODERNO	KIT MODERN OUT PIPE
LB.356	FILTRO INOX LC2000/2300/2300TR	FILTER INOX LC2000/2300/2300TR
LB.362	JUNTA EJE DOSIFICADOR	DOSIMETER ROD GASKET
LB.369	CAMARA PRESOSTATICA	PRESSURE SWITCH CHAMBER
LB.371	JUNTA PLANA CAMARA	PLANE GASKET
LB.372	CUERPO CAMARA PRESOSTATICA	PRESSURE SWTICH CHAMBER BODY
LB.416	MAGNETO	MAGNETO
LB.417	ARANDELA	WASHER
LB.418	TORNILLO	SCREW
LB.419	TERMOSTATO SEGURIDAD CUBA	TANK SAFETY THERMOSTAT





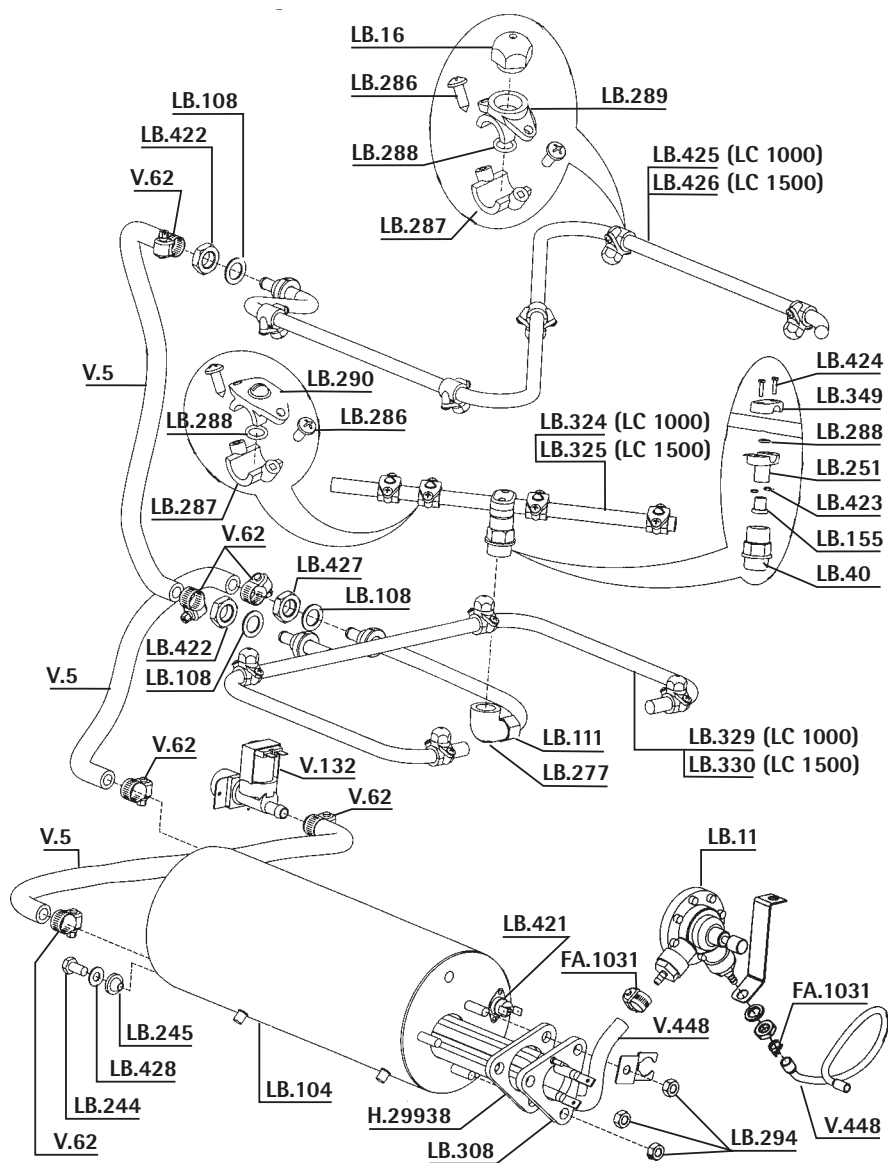
REF.	DESCRIPCIÓN	DESCRIPTION
LB..24	CIERRE PUERTA TODOS MODEL	ALL MODELS CLOSING DOOR
LB..29	DEPOSITO ABRILL.CUADRADO	SQUARE RINS.AID CONTAINER
LB..35	RESISTENCIA CUBA 2000W 230V	2000W 230V TANK RESISTANCE
LB..90	TUERCA PLASTICO FILTRO	FILTER NUT
LB.123	TOPE PUERTA	DOOR STOP
LB.129	PATA REGULABLE	ADJUSTABLE FOOT
LB.140	SOBRENIVEL	OVERFLOW
LB.145	RACOR DESAGÜE MODERNO	MODERN DRAIN FITTING
LB.156	RESISTENCIA CUBA 3000W	3000W TANK RESISTANCE
LB.166	JUNTA SOPORTE FILTRO GOMA	FILTER SUPPORT RUB.GASKET
LB.177	TORICA RESISTENCIA GOMA	RESISTANCE RUBBER RING
LB.179	SOPORTE FILTRO	FILTER SUPPORT
LB.204	TORNILLO INOX	INOX SCREW
LB.211	TUERCA	NUT
LB.217	RACOR DESAGÜE ANTIG.O 15mm	OLD DRAIN FITTING
LB.235	CONDENSADOR 6,3 MF	6,3 MF CONDENSER
LB.247	IMAN PUERTA COMPLETO	COMPLET DOOR MAGNET
LB.278	CAJON DEPOSITO ABRILLANTADOR	RINSE AID TANK BOX
LB.283	JUNTA PLANA	PLANE GASKET
LB.285	INTERRUPTOR PUERTA	DOOR SWITCH
LB.294	TUERCA	NUT
LB.300	TUERCA	NUT
LB.303	RESISTENCIA LC2300TR	LC2300TR RESISTENCE
LB.352	CONJUNTO DESAGÜE MODERNO	KIT MODERN OUT PIPE
LB.356	FILTRO INOX LC2000/2300/2300TR	FILTER INOX LC2000/2300/2300TR
LB.362	JUNTA EJE DOSIFICADOR	DOSIMETER ROD GASKET
LB.369	CAMARA PRESOSTATICA	PRESSURE SWITCH CHAMBER
LB.371	JUNTA PLANA CAMARA	PLANE GASKET
LB.372	CUERPO CAMARA PRESOSTATICA	PRESSURE SWTICH CHAMBER BODY
LB.416	MAGNETO	MAGNETO
LB.417	ARANDELA	WASHER
LB.418	TORNILLO	SCREW
LB.420	TERMOSTATO SEGURIDAD CUBA	TANK SAGETY THERMOSTAT

Aclarado LC-80 / LC-140 ■ LC-80 / LC-140 Rinse

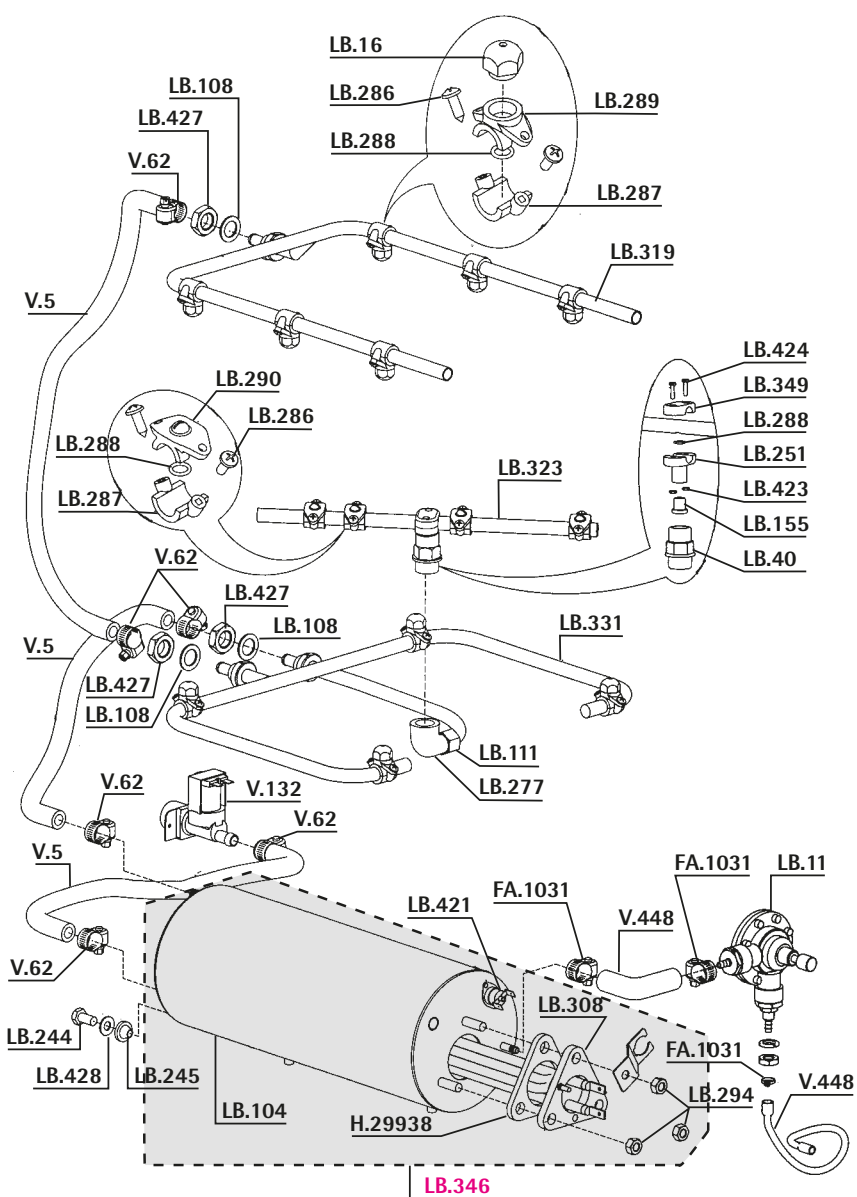


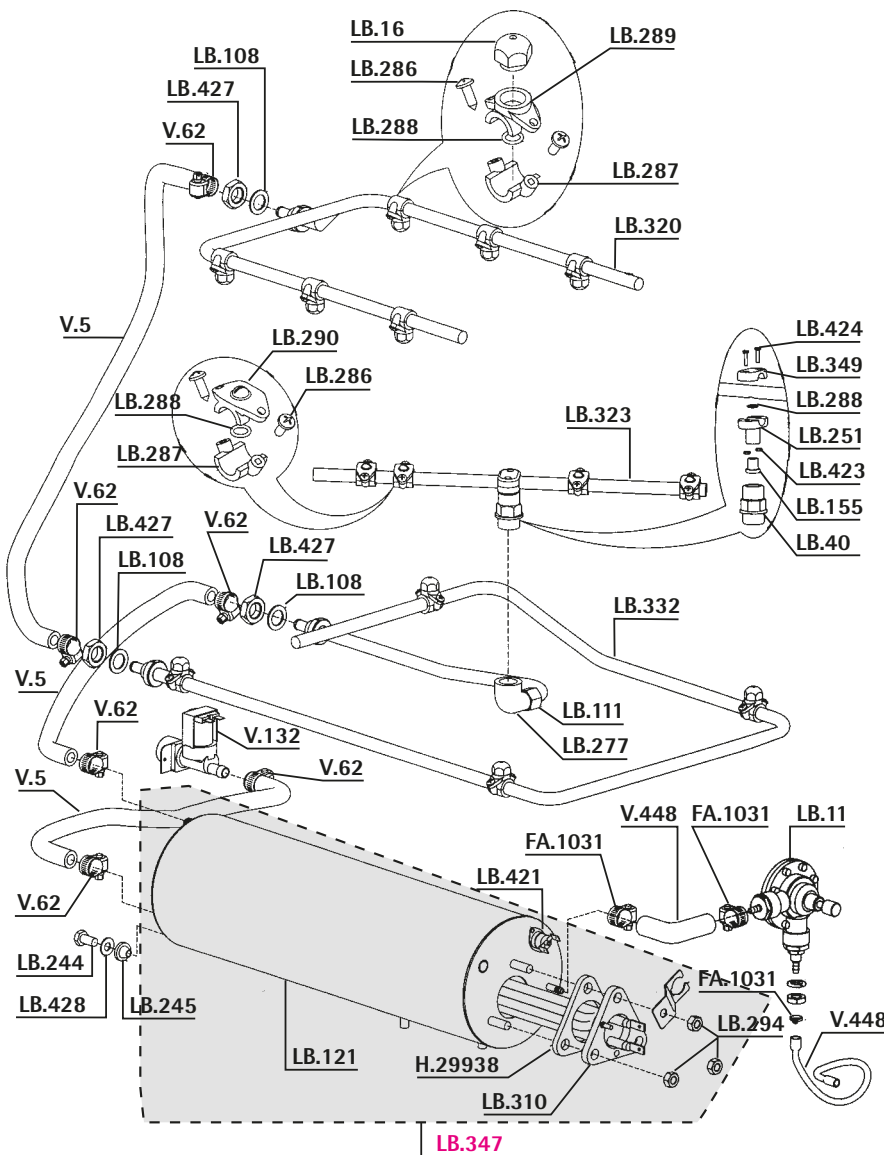
REF.	DESCRIPCIÓN	DESCRIPTION
FA1031	ABRAZADERA INOX 8-16	8-16 INOX CLAMP
LB..11	DOSIFICADOR ABRILLANTADOR	RINSE AID DOSIMETER
LB..16	ROCIADORES ACLARADO	WASHING SPRAY
LB..40	SOPORTE GIRATORIO	REVOLVING SUPPORT
LB..86	GIRATORIO LC-2000	LC-2000 GYRATORY
LB.108	JUNTA RACOR GOMA	FITTING RUBBER GASKET
LB.111	TUERCA ASTA ACLARADO	RINSE ARM NUT
LB.128	RESISTENC.CALDERIN 2000W 230V	2000W 230V BOILER RESISTANCE
LB.137	GIRATORIO LC-80	LC-80 GYRATORY
LB.139	ARBOL ACLARADO INFERIOR LC-80	LC-80 RINSE TREE
LB.155	TUERCA GIRATORIO	REVOLVING ARM NUT
LB.208	RACOR T	T FITTING
LB.251	P/INF.VOLANTE ARB.ENJ.GIRATOR	MODERN LOWER GYRATORI SUPPORT
LB.277	CODO PLASTICO ARBOL	ELBOW FITTING
LB.286	TORNILLO	SCREW
LB.287	SOPORTE INYECTOR	INJECTOR SUPPORT
LB.288	TORICA	RING
LB.289	SOPORTE SUPERIOR	SUPPER SUPPORT
LB.290	INYECTOR ACLARADO	RINSE INJECTOR
LB.307	RESISTENCIA LC-140	LC-140 RESISTANCE
LB.316	ARBOL ACL SUPERIOR LC140 INOX	LC140 INOX SUPPER RINSE ARM
LB.327	ARBOL ACLARADO SUPERIOR LC80	LC80 INOX LOWER WASH ARM
LB.328	ARBOL ACLARADO INF.LC140 INOX	LC140 INOX LOWER WASH ARM
LB.349	BRIDA	CLAMP
LB.421	TERMOSTATO CALDERIN	BOILER THERMOSTAT
LB.422	TUERCA	NUT
LB.423	TUERCA	NUT
LB.424	TORNILLO	SCREW
V...5	TUBO GOMA 10X16 20 ATM	20ATM 10X17 RUBBER PIPE
V...62	ABRAZADERA 12-20	12-20 CLAMP
V.132	ELECTROVAL.1 VIA LAV.220V	WASH 1 WAY 220V SOLENOID
V.448	TUBO PRESOSTATO-METRO 4X6	4X6 PRE.SWITCH INLET PIPE

REF.	DESCRIPCIÓN	DESCRIPTION
FA1031	ABRAZADERA INOX 8-16	8-16 INOX CLAMP
H29938	JUNTA RESIST.TRIANG.GOMA	RESISTANCE RUBBER GASKET
LB..11	DOSIFICADOR ABRILLANTADOR	RINSE AID DOSIMETER
LB..16	ROCIADORES ACLARADO	WASHING SPRAY
LB..40	SOPORTE GIRATORIO	REVOLVING SUPPORT
LB.104	CALDER.36/1200/1700/1800/2500	36/1200/1700/1800/2500 BOILER
LB.108	JUNTA RACOR GOMA	FITTING RUBBER GASKET
LB.111	TUERCA ASTA ACLARADO	RINSE ARM NUT
LB.155	TUERCA GIRATORIO	REVOLVING ARM NUT
LB.244	TORNILLO DESAGÜE CALDERIN	BOILER OUTLET SCREW
LB.245	JUNTA GOMA	RUBBER GASKET
LB.251	P/INF.VOLANTE ARB.ENJ.GIRATOR	MODERN LOWER GYRATORI SUPPORT
LB.277	CODO PLASTICO ARBOL	ELBOW FITTING
LB.286	TORNILLO	SCREW
LB.287	SOPORTE INYECTOR	INJECTOR SUPPORT
LB.288	TORICA	RING
LB.289	SOPORTE SUPERIOR	SUPPER SUPPORT
LB.290	INYECTOR ACLARADO	RINSE INJECTOR
LB.294	TUERCA	NUT
LB.308	RESISTENCIA LC1000/1500/1700	LC1000/1500/1700 RESISTANCE
LB.324	ARBOL GIRATORIO LC1000 INOX	LC1000 INOX GIRATORY ARM
LB.325	ARBOL GIRATORIO LC1500 INOX	LC1500 INOX GIRATORY ARM
LB.329	ARBOL ACLARADO INF.LC1000 INOX	LC1000 INOX LOWER WASH ARM
LB.330	ARBOL ACLARAD.INF.LC1500 INOX	LC1500 INOX LOWER WASH ARM
LB.349	BRIDA SUPERIOR GIRATORIO INOX	INOX GIRATORY UPPER CLASP
LB.421	TERMOSTATO CALDERIN	BOILER THERMOSTAT
LB.422	SERVIR LB.427	NUT
LB.423	TUERCA	NUT
LB.424	TORNILLO	SCREW
LB.425	ARBOL ACLARADO SUPERIOR LC1000	LC1000 UPPER RINSE TREE
LB.426	ARBOL ACLARADO SUPERIOR LC1500	LC1500 UPPER RINSE TREE
LB.427	TUERCA	NUT
LB.428	ARANDELA	WASHER
V...5	TUBO GOMA 10X16 20 ATM	20ATM 10X17 RUBBER PIPE
V..62	ABRAZADERA 12-20	12-20 CLAMP
V..132	ELECTROVAL.1 VIA LAV.220V	WASH 1 WAY 220V SOLENOID
V..448	TUBO PRESOSTATO-METRO 4X6	4X6 PRE.SWITCH INLET PIPE

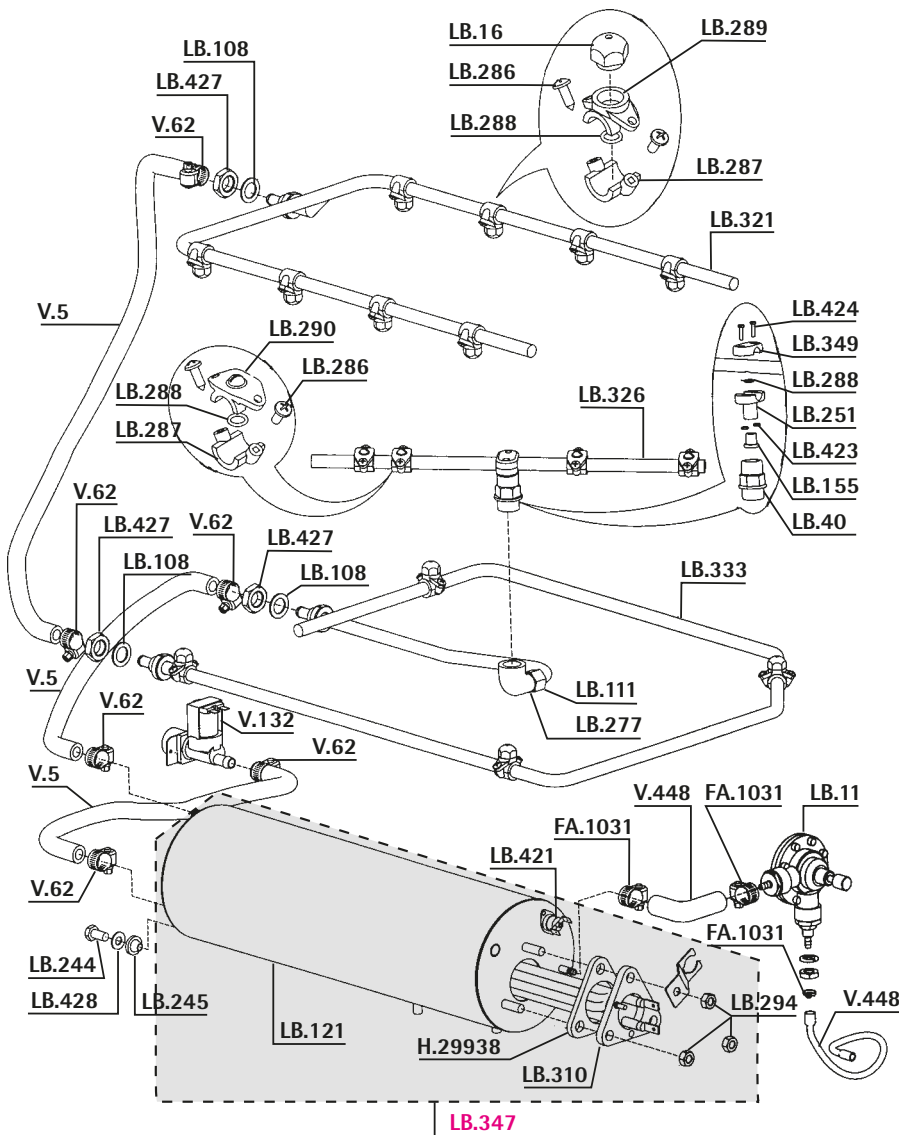


REF.	DESCRIPCIÓN	DESCRIPTION
FA1031	ABRAZADERA INOX 8-16	8-16 INOX CLAMP
H29938	JUNTA RESIST.TRIANG.GOMA	RESISTANCE RUBBER GASKET
LB..11	DOSIFICADOR ABRILLANTADOR	RINSE AID DOSIMETER
LB..16	ROCIADORES ACLARADO	WASHING SPRAY
LB..40	SOPORTE GIRATORIO	REVOLVING SUPPORT
LB.104	CALDER.36/1200/1700/1800/2500	36/1200/1700/1800/2500 BOILER
LB.108	JUNTA RACOR GOMA	FITTING RUBBER GASKET
LB.111	TUERCA ASTA ACLARADO	RINSE ARM NUT
LB.155	TUERCA GIRATORIO	REVOLVING ARM NUT
LB.244	TORNILLO DESAGÜE CALDERIN	BOILER OUTLET SCREW
LB.245	JUNTA GOMA	RUBBER GASKET
LB.251	P/INF.VOLANTE ARB.ENJ.GIRATOR	MODERN LOWER GYRATORI SUPPORT
LB.277	CODO PLASTICO ARBOL	ELBOW FITTING
LB.286	TORNILLO	SCREW
LB.287	SOPORTE INYECTOR	INJECTOR SUPPORT
LB.288	TORICA	RING
LB.289	SOPORTE SUPERIOR	SUPPER SUPPORT
LB.290	INYECTOR ACLARADO	RINSE INJECTOR
LB.294	TUERCA	NUT
LB.308	RESISTENCIA LC1000/1500/1700	LC1000/1500/1700 RESISTANCE
LB.319	ARBOL ACLARADO SUP.LC1700 INOX	LC1700 INOX SUPPER RINSE ARM
LB.323	ARBOL GIRATORIO LC140/1700/	LC140/1700/2000 INOX GIRATORY
LB.331	ARBOL ACLARAD.INF.LC1700 INOX	LC1700 INOX LOWER WASH ARM
LB.346	CALDERÓN COM. LC1000/1500/1700	COMP.BOILER LC 1000/1500/1700
LB.349	BRIDA SUPERIOR GIRATORIO INOX	INOX GIRATORY UPPER CLASP
LB.421	TERMOSTATO CALDERIN	BOILER THERMOSTAT
LB.423	TUERCA	NUT
LB.424	TORNILLO	SCREW
LB.427	TUERCA	NUT
LB.428	ARANDELA	WASHER
V...5	TUBO GOMA 10X16 20 ATM	20ATM 10X17 RUBBER PIPE
V..62	ABRAZADERA 12-20	12-20 CLAMP
V..132	ELECTROVAL.1 VIA LAV.220V	WASH 1 WAY 220V SOLENOID
V..448	TUBO PRESOSTATO-METRO 4X6	4X6 PRE.SWITCH INLET PIPE





REF.	DESCRIPCIÓN	DESCRIPTION
FA1031	ABRAZADERA INOX 8-16	8-16 INOX CLAMP
H29938	JUNTA RESIST.TRIANG.GOMA	RESISTANCE RUBBER GASKET
LB..11	DOSIFICADOR ABRILLANTADOR	RINSE AID DOSIMETER
LB..16	ROCIADORES ACLARADO	WASHING SPRAY
LB..40	SOPORTE GIRATORIO	REVOLVING SUPPORT
LB.108	JUNTA RACOR GOMA	FITTING RUBBER GASKET
LB.111	TUERCA ASTA ACLARADO	RINSE ARM NUT
LB.121	CALDERIN LC-2000 3000/600	3000/600 BOILER
LB.155	TUERCA GIRATORIO	REVOLVING ARM NUT
LB.244	TORNILLO DESAGÜE CALDERIN	BOILER OUTLET SCREW
LB.245	JUNTA GOMA	RUBBER GASKET
LB.251	BRIDA	CLASP
LB.277	CODO PLASTICO ARBOL	ELBOW FITTING
LB.286	TORNILLO	SCREW
LB.287	SOPORTE INYECTOR	INJECTOR SUPPORT
LB.288	TORICA	RING
LB.289	SOPORTE SUPERIOR	SUPPER SUPPORT
LB.290	INYECTOR ACLARADO	RINSE INJECTOR
LB.294	TUERCA	NUT
LB.310	RESISTENCIA LC2000/LC2300/LC26	LC2000/LC2300/LC26 RESISTANCE
LB.320	ARBOL ACLARADO SUP.LC2000 INOX	LC2000 INOX SUPPER RINSE ARM
LB.323	ARBOL GIRATORIO LC140/1700/	LC140/1700/2000 INOX GIRATORY
LB.332	ARBOL ACLARAD. INF.LC2000 INOX	LC2000 INOX LOWER WASH ARM
LB.347	CALDERÓN COM.LC 2000/2300/2600	COMP. BOILER LC 2000/2300/2600
LB.349	BRIDA SUPERIOR GIRATORIO INOX	INOX GIRATORY UPPER CLASP
LB.421	TERMOSTATO CALDERIN	BOILER THERMOSTAT
LB.423	TUERCA	NUT
LB.424	TORNILLO	SCREW
LB.427	TUERCA	NUT
LB.428	ARANDELA	WASHER
V...5	TUBO GOMA 10X16 20 ATM	20ATM 10X17 RUBBER PIPE
V...62	ABRAZADERA 12-20	12-20 CLAMP
V.132	ELECTROVAL.1 VIA LAV.220V	WASH 1 WAY 220V SOLENOID
V.448	TUBO PRESOSTATO-METRO 4X6	4X6 PRE.SWITCH INLET PIPE



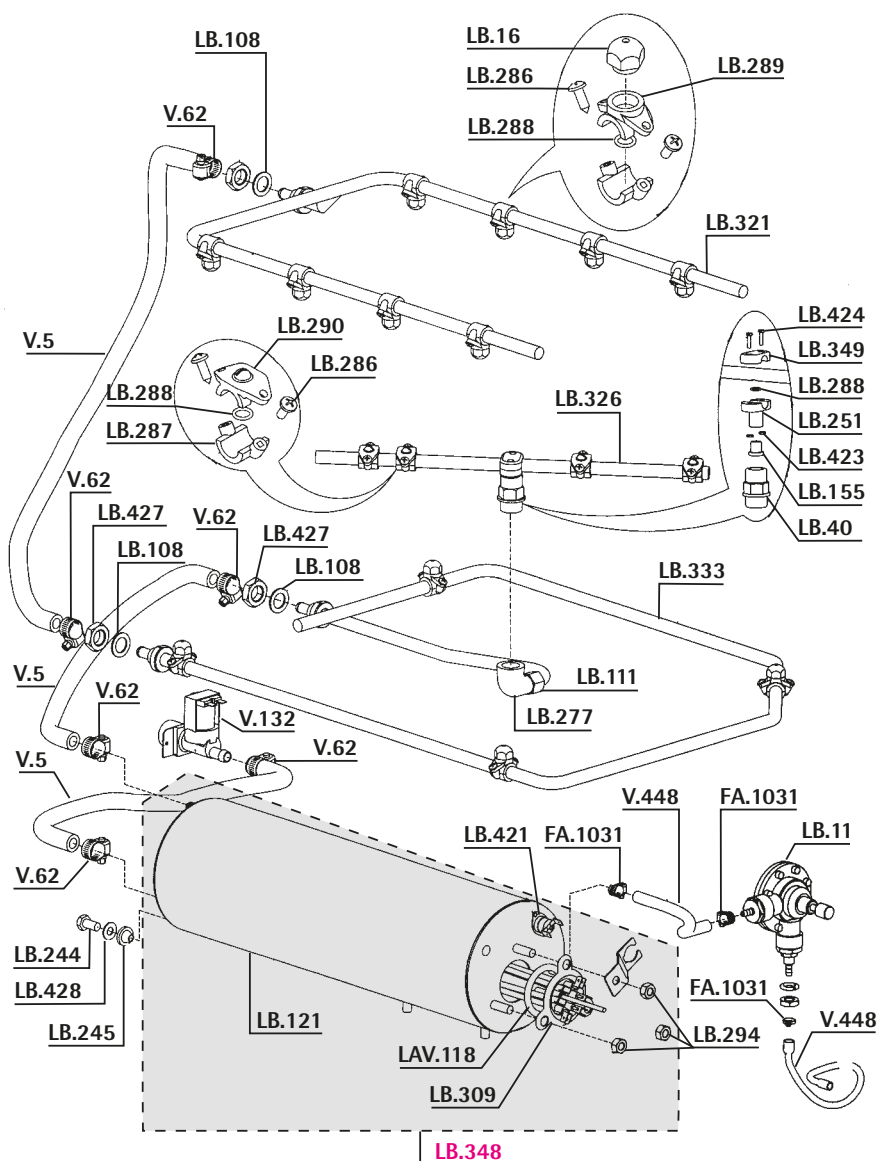
REF.	DESCRIPCIÓN	DESCRIPTION
FA1031	ABRAZADERA INOX 8-16	8-16 INOX CLAMP
H29938	JUNTA RESIST.TRIANG.GOMA	RESISTANCE RUBBER GASKET
LB..11	DOSIFICADOR ABRILLANTADOR	RINSE AID DOSIMETER
LB..16	ROCIADORES ACLARADO	WASHING SPRAY
LB..40	SOPORTE GIRATORIO	REVOLVING SUPPORT
LB.108	JUNTA RACOR GOMA	FITTING RUBBER GASKET
LB.111	TUERCA ASTA ACLARADO	RINSE ARM NUT
LB.121	CALDERIN LC-2000 3000/600	3000/600 BOILER
LB.155	TUERCA GIRATORIO	REVOLVING ARM NUT
LB.244	TORNILLO DESAGÜE CALDERIN	BOILER OUTLET SCREW
LB.245	JUNTA GOMA	RUBBER GASKET
LB.251	P/INF.VOLANTE ARB.ENJ.GIRATOR	MODERN LOWER GYRATORI SUPPORT
LB.277	CODO PLASTICO ARBOL	ELBOW FITTING
LB.286	TORNILLO	SCREW
LB.287	SOPORTE INYECTOR	INJECTOR SUPPORT
LB.288	TORICA	RING
LB.289	SOPORTE SUPERIOR	SUPPER SUPPORT
LB.290	INYECTOR ACLARADO	RINSE INJECTOR
LB.294	TUERCA	NUT
LB.310	RESISTENCIA LC2000/LC2300/LC26	LC2000/LC2300/LC26 RESISTANCE
LB.321	ARBOL ACLARADO SUP.2600/2800/	2600/2800/ INOX SUPPER RINSE
LB.326	ARB GIR 2600/2800/2300/3500	2600/2800/2300/ GIRATORY ARM
LB.333	ARBOL ACLARAD.INF.LC2600/2800/	LC2600/2800/INOX LOWER WASH
LB.347	CALDERIN COM.LC 2000/2300/2600	COMP. BOILER LC 2000/2300/2600
LB.349	BRIDA SUPERIOR GIRATORIO INOX	INOX GIRATORY UPPER CLASP
LB.421	TERMOSTATO CALDERIN	BOILER THERMOSTAT
LB.423	TUERCA	NUT
LB.424	TORNILLO	SCREW
LB.427	TUERCA	NUT
LB.428	ARANDELA	WASHER
V...5	TUBO GOMA 10X16 20 ATM	20ATM 10X17 RUBBER PIPE
V...62	ABRAZADERA 12-20	12-20 CLAMP
V.132	ELECTROVAL.1 VIA LAV.220V	WASH 1 WAY 220V SOLENOID
V.448	TUBO PRESOSTATO-METRO 4X6	4X6 PRE.SWITCH INLET PIPE

45 años ofreciendo

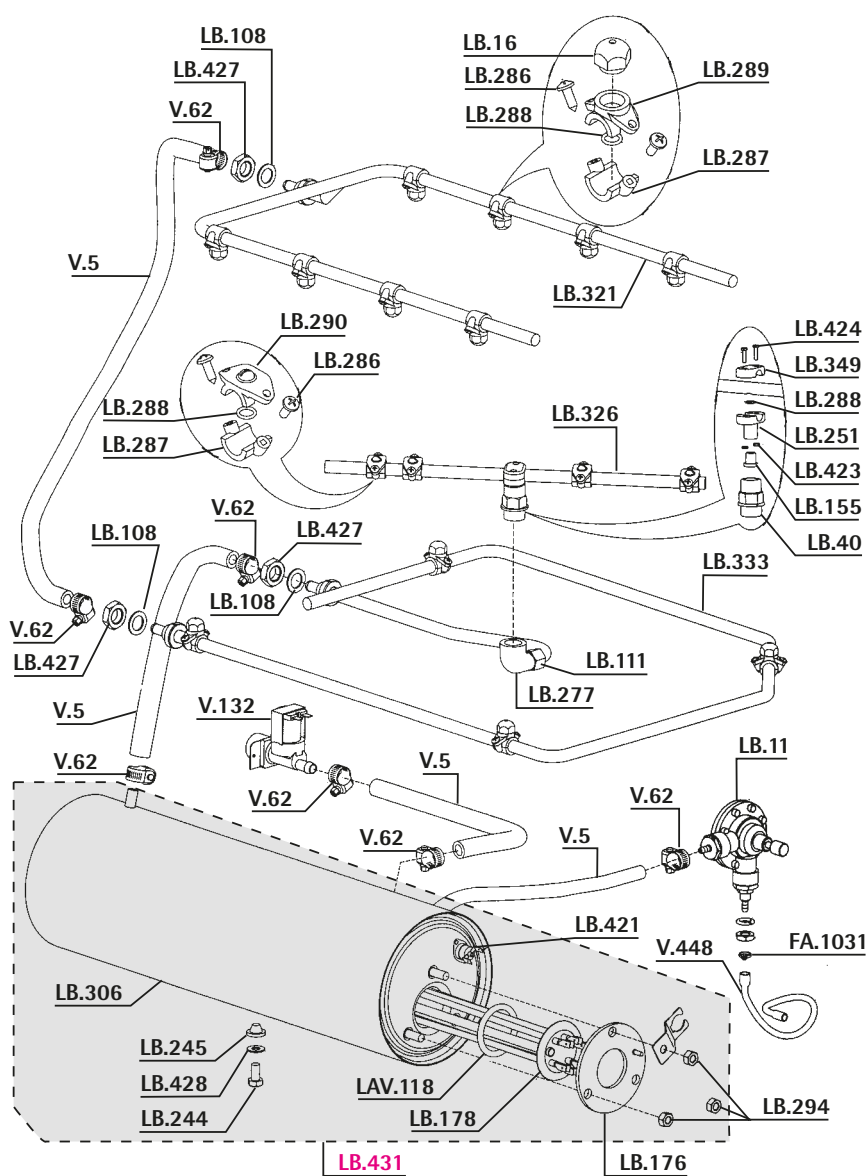


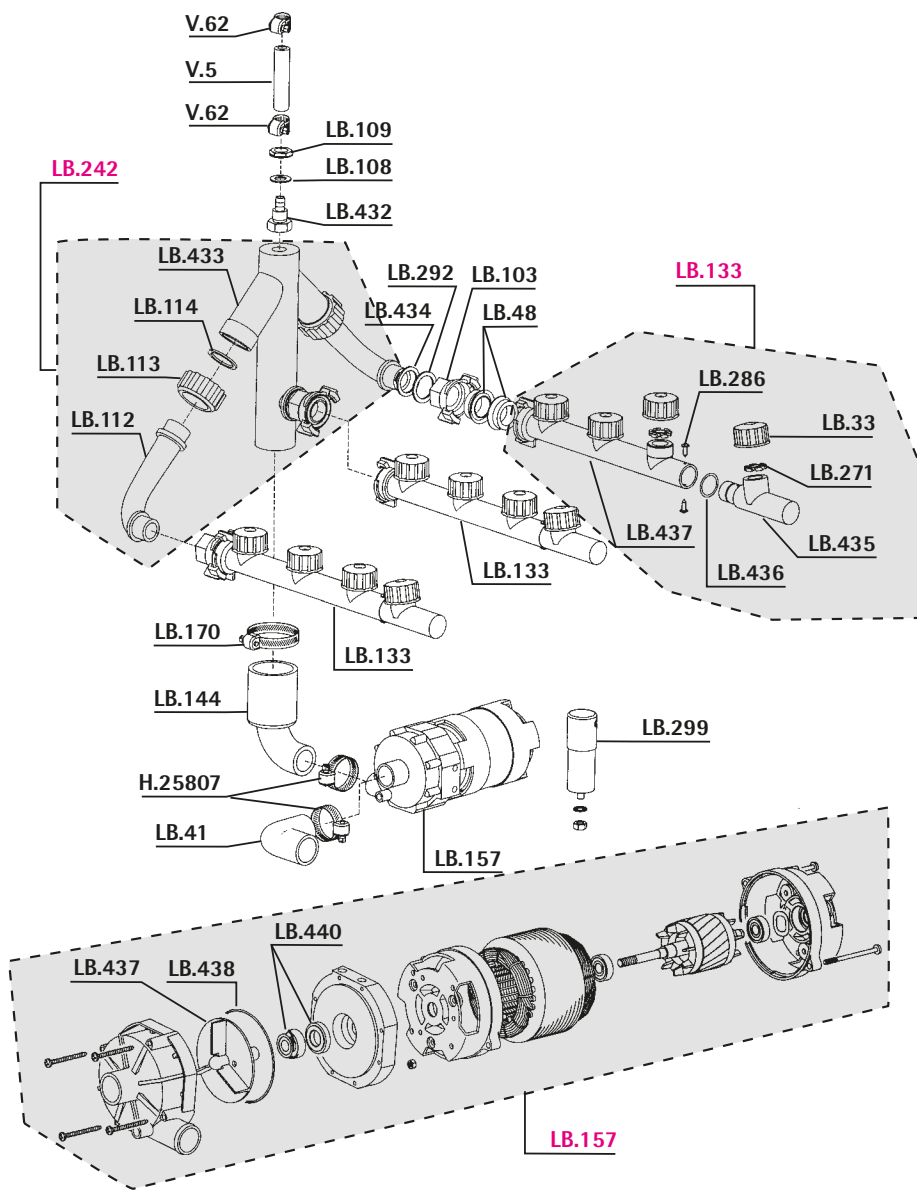
calidad, servicio y competitividad.

REF.	DESCRIPCIÓN	DESCRIPTION
FA1031	ABRAZADERA INOX 8-16	8-16 INOX CLAMP
LAV118	TORICA GOMA	RING
LB..11	DOSIFICADOR ABRILLANTADOR	RINSE AID DOSIMETER
LB..16	ROCIADORES ACLARADO	WASHING SPRAY
LB..40	SOPORTE GIRATORIO	REVOLVING SUPPORT
LB.108	JUNTA RACOR GOMA	FITTING RUBBER GASKET
LB.111	TUERCA ASTA ACLARADO	RINSE ARM NUT
LB.121	CALDERIN LC-2000 3000/600	3000/600 BOILER
LB.155	TUERCA GIRATORIO	REVOLVING ARM NUT
LB.244	TORNILLO DESAGÜE CALDERIN	BOILER OUTLET SCREW
LB.245	JUNTA GOMA	RUBBER GASKET
LB.251	P/INF.VOLANTE ARB.ENJ.GIRATOR	MODERN LOWER GYRATORI SUPPORT
LB.277	CODO PLASTICO ARBOL	ELBOW FITTING
LB.286	TORNILLO	SCREW
LB.287	SOPORTE INYECTOR	INJECTOR SUPPORT
LB.288	TORICA	RING
LB.289	SOPORTE SUPERIOR	SUPPER SUPPORT
LB.290	INYECTOR ACLARADO	RINSE INJECTOR
LB.294	TUERCA	NUT
LB.309	RESISTENCIA LC2300TR	LC2300TR RESISTANCE
LB.321	ARBOL ACLARADO SUP.2600/2800/	2600/2800/ INOX SUPPER RINSE
LB.326	ARB GIR 2600/2800/2300/3500	2600/2800/2300/ GIRATORY ARM
LB.333	ARBOL ACLARAD.INF.LC2600/2800/	LC2600/2800/INOX LOWER WASH
LB.348	CALDERÓN COMPLETO LC 2300TR	COMPLET BOILER LC 2300TR
LB.349	BRIDA SUPERIOR GIRATORIO INOX	INOX GIRATORY UPPER CLASP
LB.421	TERMOSTATO CALDERIN	BOILER THERMOSTAT
LB.423	TUERCA	NUT
LB.424	TORNILLO	SCREW
LB.427	TUERCA	NUT
LB.428	ARANDELA	WASHER
V...5	TUBO GOMA 10X16 20 ATM	20ATM 10X17 RUBBER PIPE
V..62	ABRAZADERA 12-20	12-20 CLAMP
V..132	ELECTROVAL.1 VIA LAV.220V	WASH 1 WAY 220V SOLENOID
V..448	TUBO PRESOSTATO-METRO 4X6	4X6 PRE.SWITCH INLET PIPE

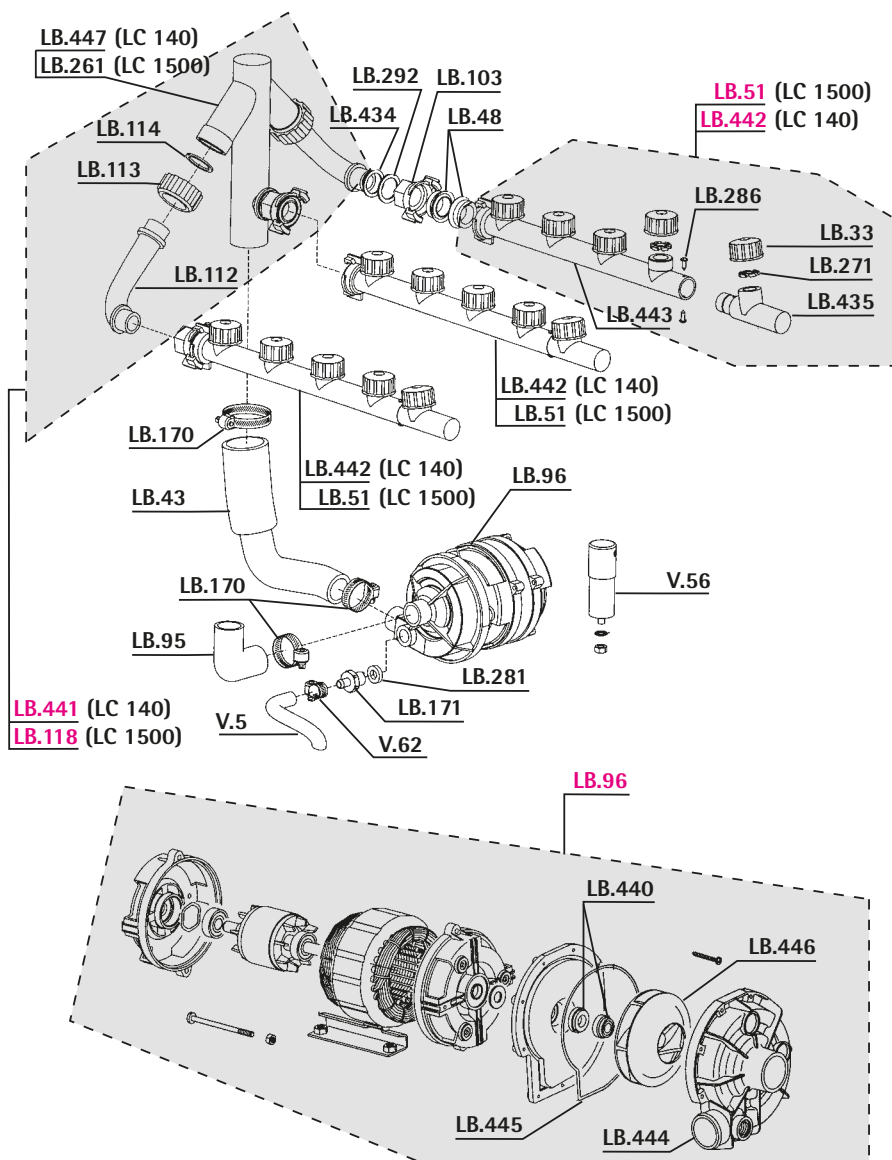


REF.	DESCRIPCIÓN	DESCRIPTION
FA1031	ABRAZADERA INOX 8-16	8-16 INOX CLAMP
LAV118	TORICA GOMA	RING
LB..11	DOSIFICADOR ABRILLANTADOR	RINSE AID DOSIMETER
LB..16	ROCIADORES ACLARADO	WASHING SPRAY
LB..40	SOPORTE GIRATORIO	REVOLVING SUPPORT
LB.108	JUNTA RACOR GOMA	FITTING RUBBER GASKET
LB.111	TUERCA ASTA ACLARADO	RINSE ARM NUT
LB.155	TUERCA GIRATORIO	REVOLVING ARM NUT
LB.176	ARANDELA RESISTENCIA	RESISTANCE WASHER
LB.178	RES.CALDERIN 6000W 230/400V	6000W 230/400V BOILER RESIST.
LB.244	TORNILLO	SCREW
LB.245	JUNTA GOMA	RUBBER GASKET
LB.251	BRIDA	CLASP
LB.277	CODO PLASTICO ARBOL	ELBOW FITTING
LB.286	TORNILLO	SCREW
LB.287	SOPORTE INYECTOR	INJECTOR SUPPORT
LB.288	TORICA	RING
LB.289	SOPORTE SUPERIOR	SUPPER SUPPORT
LB.290	INYECTOR ACLARADO	RINSE INJECTOR
LB.294	TUERCA	NUT
LB.306	CALDERIER TRIFASICO	THREE PHASE BOILER
LB.321	ARBOL ACLARADO SUP.2600/2800/	2600/2800/ INOX SUPPER RINSE
LB.326	ARB GIR 2600/2800/2300/3500	2600/2800/2300/ GIRATORY ARM
LB.333	ARBOL ACLARAD.INF.LC2600/2800/	LC2600/2800/INOX LOWER WASH
LB.349	BRIDA SUPERIOR GIRATORIO INOX	INOX GIRATORY UPPER CLASP
LB.421	TERMOSTATO CALDERIN	BOILER THERMOSTAT
LB.423	TUERCA	NUT
LB.424	TORNILLO	SCREW
LB.427	TUERCA	NUT
LB.428	ARANDELA	WASHER
LB.431	CALDERIN COMPLETO LC2800	LC2800 COMPLET BOILER
V...5	TUBO GOMA 10X16 20 ATM	20ATM 10X17 RUBBER PIPE
V..62	ABRAZADERA 12-20	12-20 CLAMP
V..132	ELECTROVAL.1 VIA LAV.220V	WASH 1 WAY 220V SOLENOID
V..448	TUBO PRESOSTATO-METRO 4X6	4X6 PRE.SWITCH INLET PIPE



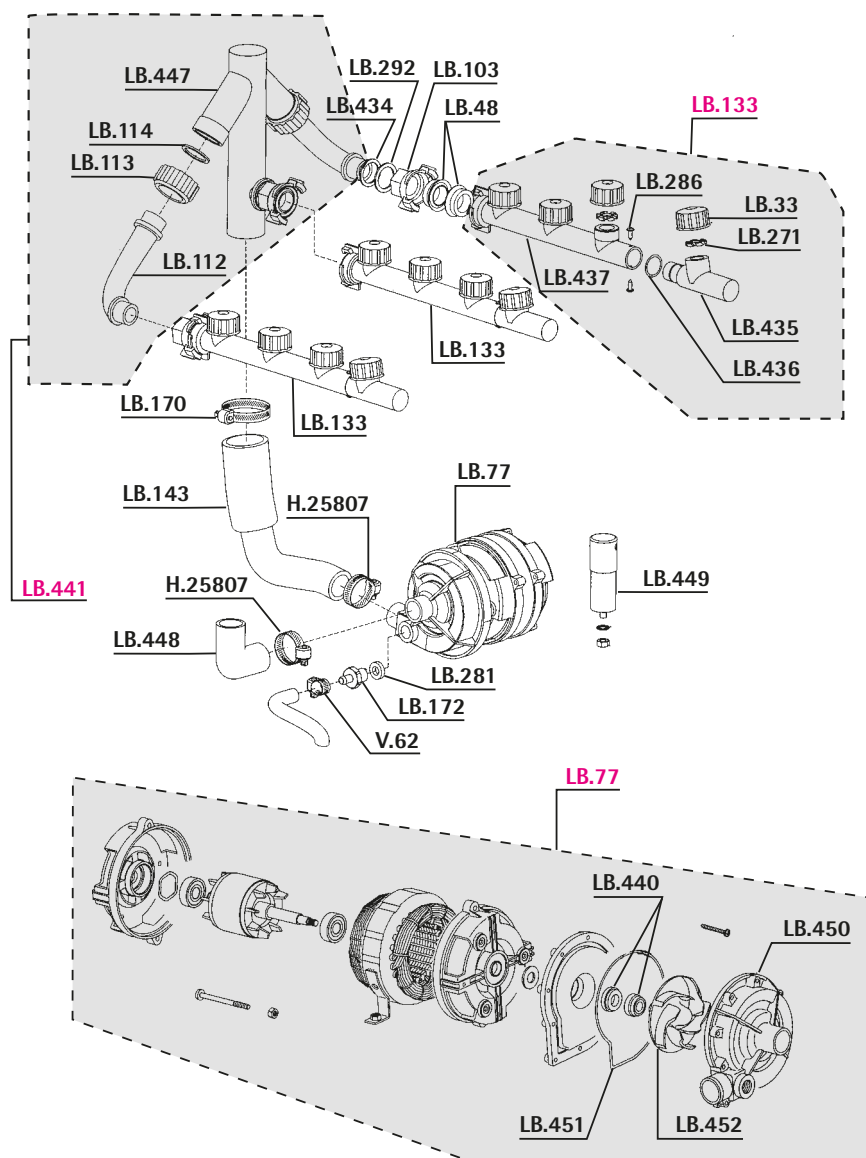


REF.	DESCRIPCIÓN	DESCRIPTION
H.25807	ABRAZADERA 25-40	25-40 CLAMP
LB..33	TAPON SURTIDOR ARBOL LAVA	WATER SPOUT CAP
LB..41	MANGUITO	SLEEVE
LB..48	JUNTA ARBOL LAVADO	WASH ARM SILICONE GASKET
LB.103	RACOR ARBOL LAVADO	WASHING ARM FITTING
LB.108	JUNTA RACOR GOMA	FITTING RUBBER GASKET
LB.109	TUERCA LATON	FITTING NUT
LB.112	CODO DISTRIBUIDOR	DISTRIBUTOR ELBOW
LB.113	TUERCA PLASTICO CODO DISTRIB.	DISTRIB. ELBOW NUT
LB.114	JUNTA TUERCA GOMA	NUT RUBBER GASKET
LB.133	ARBOL LAVADO LC-80/1000	LC-80/1000 RINSE TREE
LB.144	MANGUITO IMPULSO LC-80	LC-80 IMPULSE SLEEVE
LB.157	MOTOR LAV.0,15CV	0.15CV WASHING MOTOR
LB.170	ABRAZADERA 40-60	40-60 CLAMP
LB.242	DISTRIBUIDOR INF.LC-80	LC-80 LOWER DISTRIBUTOR
LB.271	ESTRANGULAD.LAVAGE D.4 LC1700	D.4 LC1700 WASH SWIRL
LB.286	TORNILLO	SCREW
LB.292	JUNTA PLANA	PLANE GASKET
LB.299	ARANDELA SUJECCION	WASHER
LB.432	RACOR	FITTING
LB.433	CUERPO DISTRIBUIDOR LC80	LC80 DISTRIBUTOR BODY
LB.434	JUNTA PLANA GOMA	GASKET
LB.435	EMPALME ARBOL LAVADO	WASHING TREE JUNCTION
LB.436	JUNTA EMPALME LAVADO	WASHING GASKET
LB.437	ARBOL LAVADO LC1000	LC1000 WASHING TREE
LB.438	JUNTA TAPA MOTOR	MOTOR LID GASKET
LB.440	RETEN	MECHANICAL SEAL
V...5	TUBO GOMA 10X16 20 ATM	20ATM 10X17 RUBBER PIPE
V...62	ABRAZADERA 12-20	12-20 CLAMP

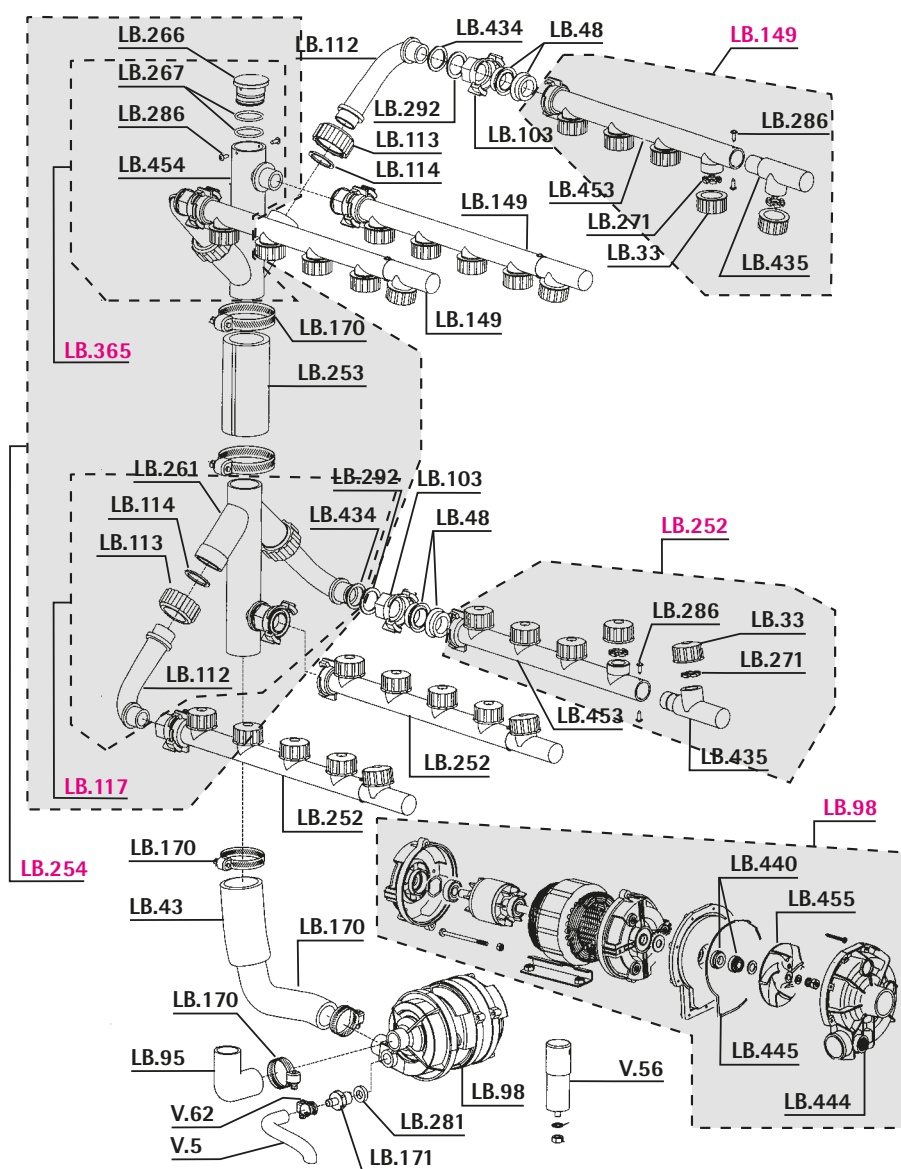


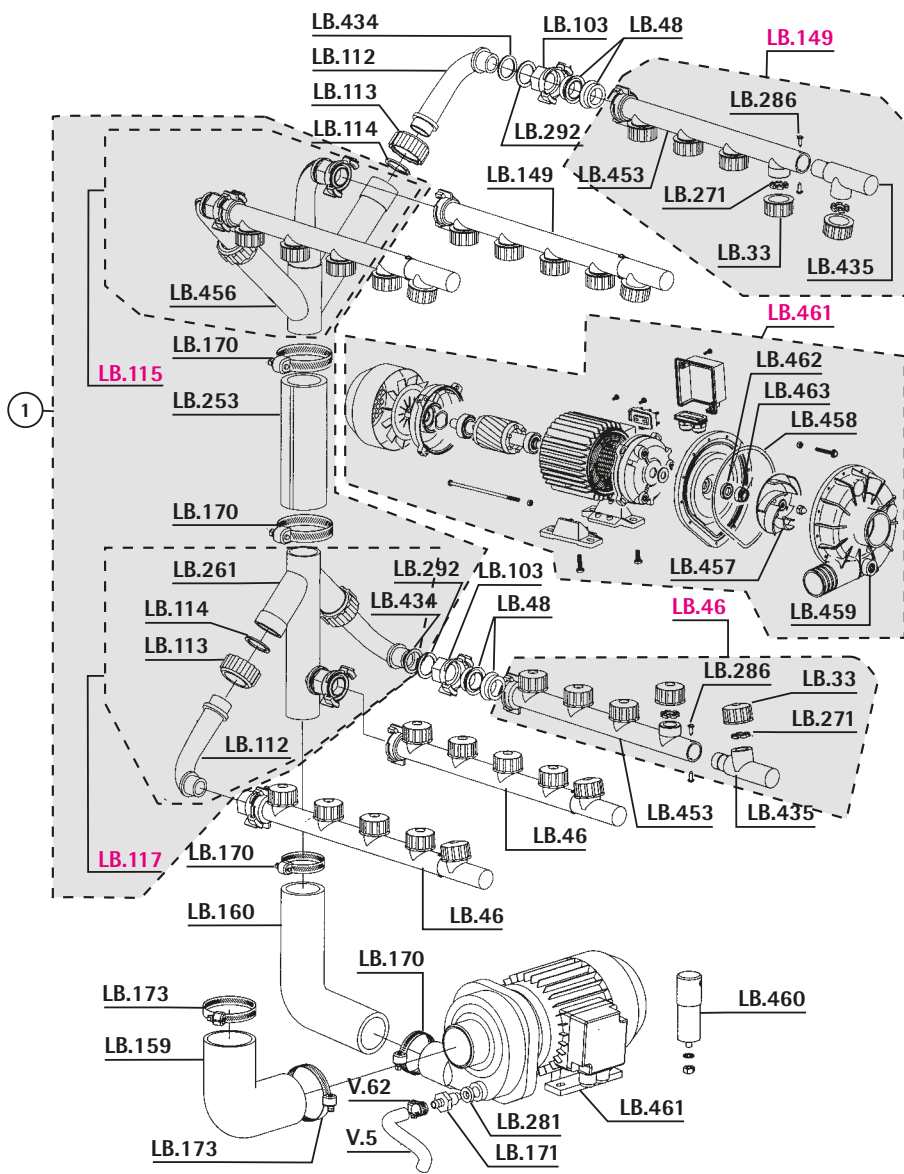
REF.	DESCRIPCIÓN	DESCRIPTION
LB..33	TAPON SURTIDOR ARBOL LAVA	WATER SPOUT CAP
LB..43	CODO IMPULSO	IMPULSE ELBOW
LB..48	JUNTA ARBOL LAVADO	WASH ARM SILICONE GASKET
LB..51	ARBOL LAVADO LC-1500	LC-1500 WASH TREE
LB..95	CODO1500/1700/1800/2500/3000	1500/1700/1800/2500/3000 ELBOW
LB..96	MOTOR LAV 1/2	1/2CV WASHING MOTOR
LB.103	RACOR ARBOL LAVADO	WASHING ARM FITTING
LB.112	CODO DISTRIBUIDOR	DISTRIBUTOR ELBOW
LB.113	TUERCA PLASTICO CODO DISTRIB.	DISTRIB. ELBOW NUT
LB.114	JUNTA TUERCA GOMA	NUT RUBBER GASKET
LB.118	DISTRIB.INF.LC-1000/1500	LC-1000/1500 LOWER DIST.
LB.170	ABRAZADERA 40-60	40-60 CLAMP
LB.171	RACOR DOS.INOX .L46mm 3/8M	L.46mm LONG DOSIM.FITTING
LB.261	DISTRIBUIDOR INFERIOR	LOWER DISTRIBUTOR
LB.271	ESTRANGULAD.LAVAGE D.4 LC1700	D.4 LC1700 WASH SWIRL
LB.281	JUNTA RACOR	RACCORD GASKET
LB.286	TORNILLO	SCREW
LB.292	JUNTA PLANA	PLANE GASKET
LB.434	JUNTA PLANA GOMA	GASKET
LB.435	EMPALME ARBOL LAVADO	WASHING TREE JUNCTION
LB.440	RETEN	MECHANICAL SEAL
LB.441	DISTRIBUIDOR LC140-LC1000	LC140-LC1000 DISTRIBUTOR BODY
LB.442	CONJUNTO ARBOL LC140	LC140 KIT TREE
LB.443	ARBOL LAVADO LC140-LC1500	LC140-LC1000 WASHING TREE
LB.444	TAPA MOTOR	LB96 MOTOR LID
LB.445	JUNTA TAPA MOTOR	MOTOR LID GASKET
LB.446	TURBINA	TURBINE
LB.447	CUERPO DISTRIBUIDOR LC140 - LC	LC140 - LC1000 DISTRIBUTOR BOD
V...5	TUBO GOMA 10X16 20 ATM	20ATM 10X17 RUBBER PIPE
V...56	CONDENSADOR 12,5 MF 220V	12,5MF 220V CONDENSER
V...62	ABRAZADERA 12-20	12-20 CLAMP

REF.	DESCRIPCIÓN	DESCRIPTION
H25807	ABRAZADERA 25-40	25-40 CLAMP
LB..33	TAPON SURTIDOR ARBOL LAVA	WATER SPOUT CAP
LB..48	JUNTA ARBOL LAVADO	WASH ARM SILICONE GASKET
LB..77	MOTOR LAV.1/4 CV	1/4 CV WASHING MOTOR
LB.103	RACOR ARBOL LAVADO	WASHING ARM FITTING
LB.112	CODO DISTRIBUIDOR	DISTRIBUTOR ELBOW
LB.113	TUERCA PLASTICO CODO DISTRIB.	DISTRIB. ELBOW NUT
LB.114	JUNTA TUERCA GOMA	NUT RUBBER GASKET
LB.133	ARBOL LAVADO LC-80/1000	LC-80/1000 RINSE TREE
LB.143	MANGUITO IMPULSO LC-1000	LC-1000 INPULSE SLEEVE
LB.170	ABRAZADERA 40-60	40-60 CLAMP
LB.172	RACOR DOSI.3/8M L.40mm	L.40mm SHORT DOSI.FITTING
LB.271	ESTRANGULAD.LAVAGE D.4 LC1700	D.4 LC1700 WASH SWIRL
LB.281	JUNTA RACOR	RACCORD GASKET
LB.286	TORNILLO	SCREW
LB.292	JUNTA PLANA	PLANE GASKET
LB.434	JUNTA PLANA GOMA	GASKET
LB.435	EMPALME ARBOL LAVADO	WASHING TREE JUNCTION
LB.436	JUNTA EMPALME LAVADO	WASHING GASKET
LB.437	ARBOL LAVADO LC1000	LC1000 WASHING TREE
LB.440	RETEN	MECHANICAL SEAL
LB.441	DISTRIBUIDOR LC140-LC1000	LC140-LC1000 DISTRIBUTOR BODY
LB.447	CUERPO DISTRIBUIDOR LC140 - LC	LC140 - LC1000 DISTRIBUTOR BOD
LB.448	CODO	ELBOW
LB.449	CONDENSADOR 10MF 400V 1/4HP	10MF 400V 1/4HP CONDENSER
LB.450	TAPA MOTOR LB77	LB77 MOTOR LID
LB.451	JUNTA MOTOR	LB77 MOTOR GASKET
LB.452	TURBINA	TURBINE
V..62	ABRAZADERA 12-20	12-20 CLAMP

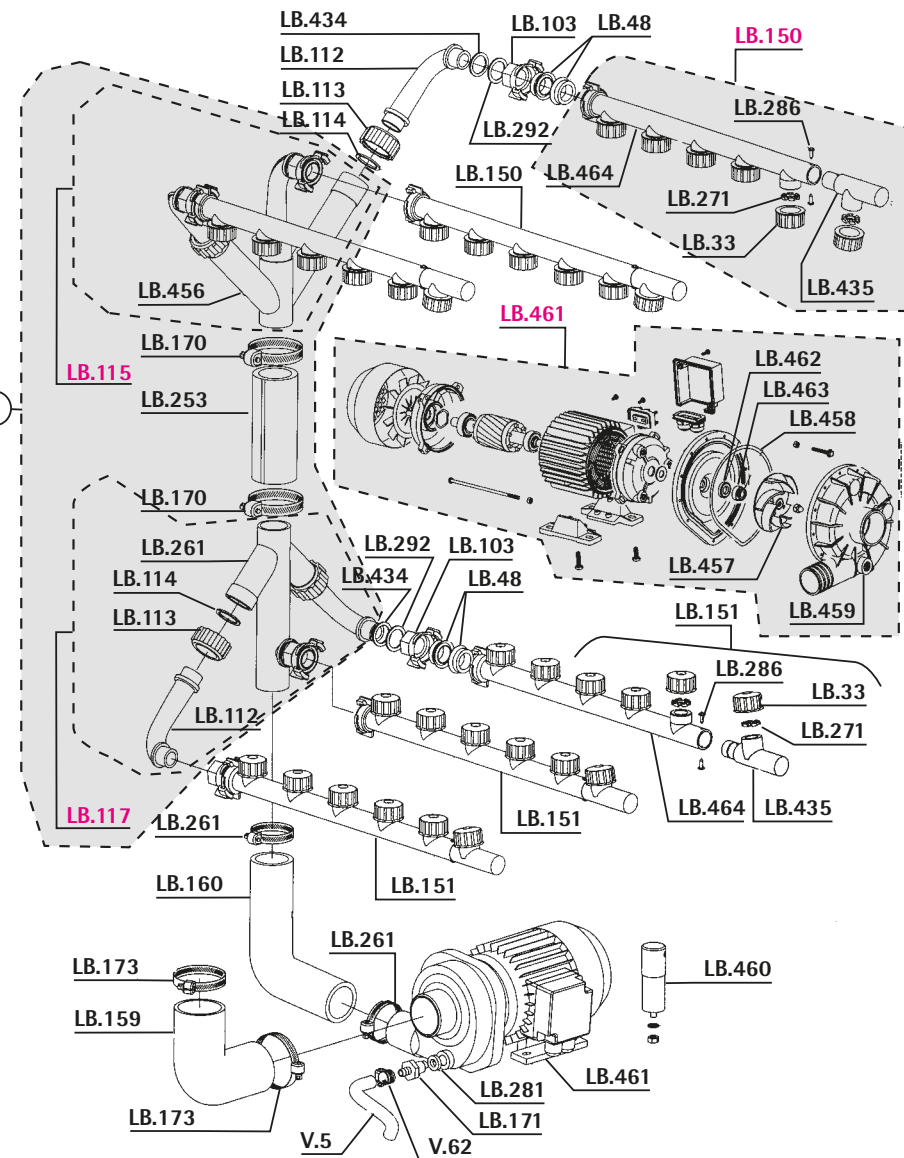


REF.	DESCRIPCIÓN	DESCRIPTION
LB..33	TAPON SURTIDOR ARBOL LAVA	WATER SPOUT CAP
LB..43	CODO IMPULSO	INPULSE ELBOW
LB..48	JUNTA ARBOL LAVADO	WASH ARM SILICONE GASKET
LB..95	CODO1500/1700/1800/2500/3000	1500/1700/1800/2500/3000 ELBOW
LB..98	MOTOR LAV.3/4CV 3000/600	3/4CV WASHING MOTOR
LB.103	RACOR ARBOL LAVADO	WASHING ARM FITTING
LB.112	CODO DISTRIBUIDOR	DISTRIBUTOR ELBOW
LB.113	TUERCA PLASTICO CODO DISTRIB.	DISTRIB. ELBOW NUT
LB.114	JUNTA TUERCA GOMA	NUT RUBBER GASKET
LB.117	DISTRIBUIDOR LAVADO INF.	LOWER WASHING DISTRIBUTOR
LB.149	ARBOL LAVADO SUP.LC-2000	LC-2000 UPPER WASH TREE
LB.170	ABRAZADERA 40-60	40-60 CLAMP
LB.171	RACOR DOS.INOX .L.46mm 3/8M	L.46mm LONG DOSIM.FITTING
LB.252	ARBOL LAVADO INFERIOR LC-1700	LC-1700 LOWER WASHING TREE
LB.253	MANGUITO EMPALME	SLEEVE
LB.254	DISTRIBUIDOR LAV.INFERIOR 1700	LC1700 LOWER WASH DISTRIBUTOR
LB.261	DISTRIBUIDOR INFERIOR	LOWER DISTRIBUTOR
LB.266	TAPON DISTRIBUIDOR	DISTRIBUTOR CAP
LB.267	JUNTA TAPON DISTRIBUIDOR	DISTRIBUTOR CAP GASKET
LB.271	ESTRANGULAD.LAVAGE D.4 LC1700	D.4 LC1700 WASH SWIRL
LB.281	JUNTA RACOR	RACCORD GASKET
LB.286	TORNILLO	SCREW
LB.292	JUNTA PLANA	PLANE GASKET
LB.365	DISTRIB LAVADO SUP.LC3800/4200	UPPER WASHING DIST.LC3800/4200
LB.434	JUNTA PLANA GOMA	GASKET
LB.435	EMPALME ARBOL LAVADO	WASHING TREE JUNCTION
LB.440	RETEN	MECHANICAL SEAL
LB.444	TAPA MOTOR	LB96 MOTOR LID
LB.445	JUNTA TAPA MOTOR	MOTOR LID GASKET
LB.453	ARBOL LAVADO	WASHING TREE
LB.454	CUERPO DISTRIBUIDOR LAVADO LC1	WASHING DISTRIBUTOR BODY LC170
LB.455	TURBINA	TURBINE
V....5	TUBO GOMA 10X16 20 ATM	20ATM 10X17 RUBBER PIPE
V..56	CONDENSADOR 12,5 MF 220V	12,5MF 220V CONDENSER
V..62	ABRAZADERA 12-20	12-20 CLAMP



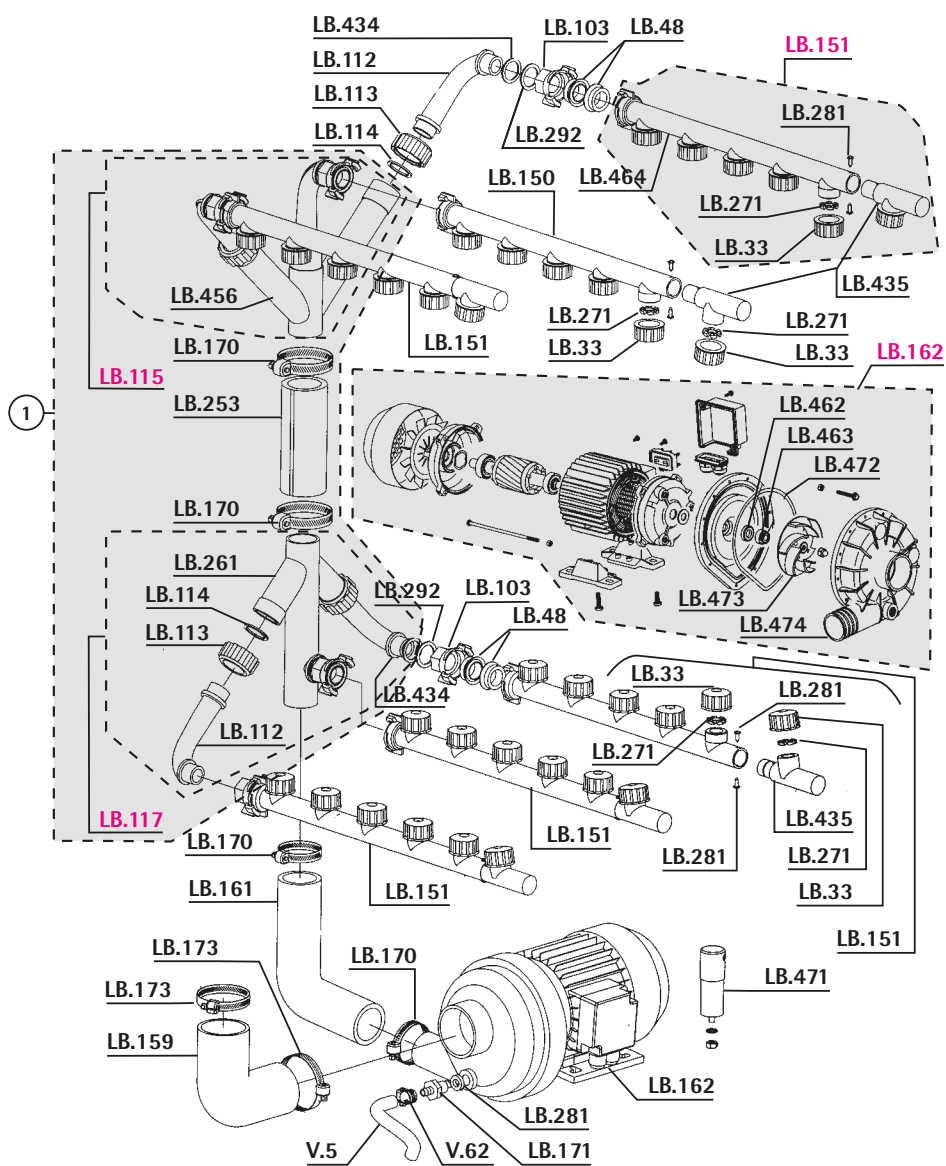


REF.	DESCRIPCIÓN	DESCRIPTION
LB..33	TAPON SURTIDOR ARBOL LAVA	WATER SPOUT CAP
LB..46	ARBOL LAVADO LC-2000	LC-2000 WASH TREE
LB..48	JUNTA ARBOL LAVADO	WASH ARM SILICONE GASKET
LB.103	RACOR ARBOL LAVADO	WASHING ARM FITTING
LB.112	CODO DISTRIBUIDOR	DISTRIBUTOR ELBOW
LB.113	TUERCA PLASTICO CODO DISTRIB.	DISTRIB. ELBOW NUT
LB.114	JUNTA TUERCA GOMA	NUT RUBBER GASKET
LB.115	DISTRIBUIDOR LAVADO SUP.	UPPER WASHING DISTRIBUTOR
LB.117	DISTRIBUIDOR LAVADO INF.	LOWER WASHING DISTRIBUTOR
LB.149	ARBOL LAVADO SUP.LC-2000	LC-2000 UPPER WASH TREE
LB.159	MANGUITO ASPIRACION	SUCTION SLEEVE
LB.160	MANG.IMPULSO LC-2000/2300	LC-2000/2300 IMPUL.SLEEVE
LB.170	ABRAZADERA 40-60	40-60 CLAMP
LB.171	RACOR DOS.INOX .L.46mm 3/8M	L.46mm LONG DOSIM.FITTING
LB.173	ABRAZADERA 60-80	60-80 CLAMP
LB.253	MANGUITO EMPALME	SLEEVE
LB.261	DISTRIBUIDOR INFERIOR	LOWER DISTRIBUTOR
LB.271	ESTRANGULAD.LAVAGE D.4 LC1700	D.4 LC1700 WASH SWIRL
LB.281	JUNTA RACOR	RACCORD GASKET
LB.286	TORNILLO	SCREW
LB.292	JUNTA PLANA	PLANE GASKET
LB.434	JUNTA PLANA GOMA	GASKET
LB.435	EMPALME ARBOL LAVADO	WASHING TREE JUNCTION
LB.453	ARBOL LAVADO	WASHING TREE
LB.456	CUERPO DISTRIBUIDOR LC2000	LC2000 DISTRIBUTOR BODY
LB.457	TURBINA	TURBINE
LB.458	JUNTA MOTOR LC2000	LC2000 MOTOR GASKET
LB.459	TAPA MOTOR LC2000	LC2000 MOTOR GASKET
LB.460	CONDENSADOR 16MF 425V 1HP	16MF 425V 1HP CONDENSER
LB.461	MOTOR 1HP LC2000	LC2000 1HP MOTOR
LB.462	RETEN CERAMICA	CERAMIC MECHANICAL SEAL
LB.463	RETEN MUELLE	SPRING MECHANICAL SEAL
V...5	TUBO GOMA 10X16 20 ATM	20ATM 10X17 RUBBER PIPE
V...62	ABRAZADERA 12-20	12-20 CLAMP

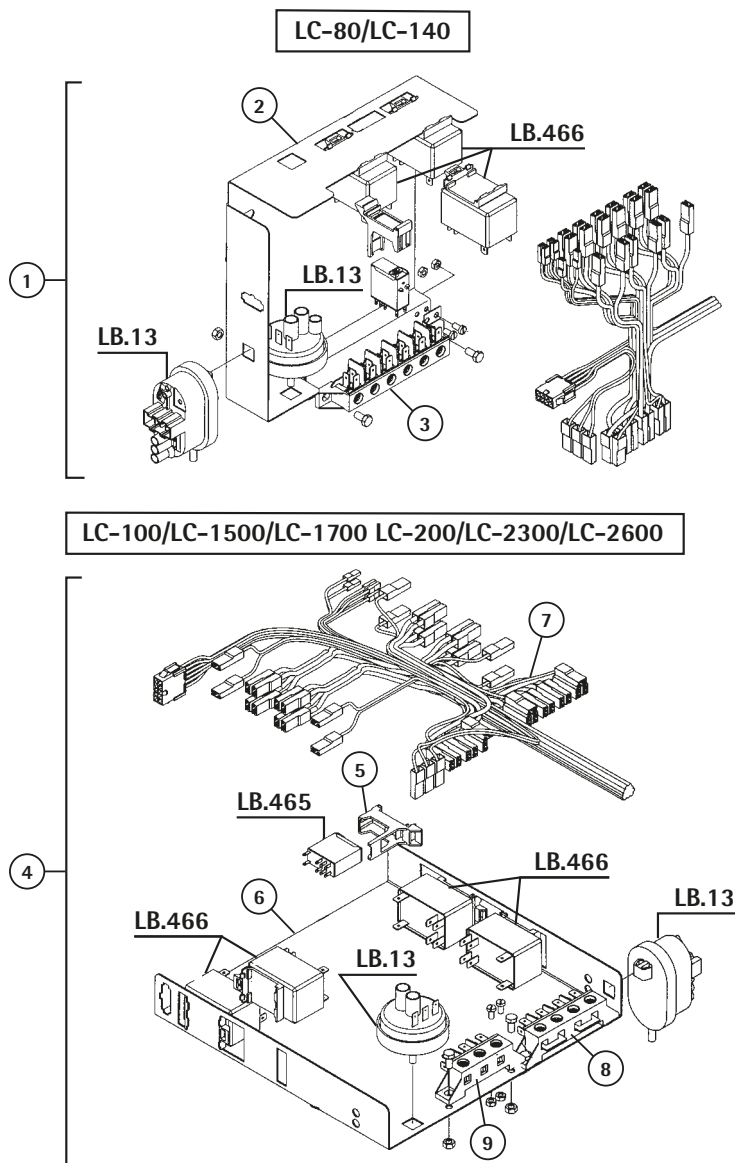


REF.	DESCRIPCIÓN	DESCRIPTION
LB..33	TAPON SURTIDOR ARBOL LAVA	WATER SPOUT CAP
LB..48	JUNTA ARBOL LAVADO	WASH ARM SILICONE GASKET
LB.103	RACOR ARBOL LAVADO	WASHING ARM FITTING
LB.112	CODO DISTRIBUIDOR	DISTRIBUTOR ELBOW
LB.113	TUERCA PLASTICO CODO DISTRIB.	DISTRIB. ELBOW NUT
LB.114	JUNTA TUERCA GOMA	NUT RUBBER GASKET
LB.115	DISTRIBUIDOR LAVADO SUP.	UPPER WASHING DISTRIBUTOR
LB.117	DISTRIBUIDOR LAVADO INF.	LOWER WASHING DISTRIBUTOR
LB.150	ARBOL LAVADO SUPERIOR	UPPER WASHING TREE
LB.151	ARBOL LAVADO INFERIOR	LOWER WASHING TREE
LB.159	MANGUITO ASPIRACION	SUCTION SLEEVE
LB.160	MANG.IMPULSO LC-2000/2300	LC-2000/2300 IMPUL.SLEEVE
LB.170	ABRAZADERA 40-60	40-60 CLAMP
LB.171	RACOR DOS.INOX .L.46mm 3/8M	L.46mm LONG DOSIM.FITTING
LB.173	ABRAZADERA 60-80	60-80 CLAMP
LB.253	MANGUITO EMPALME	SLEEVE
LB.261	DISTRIBUIDOR INFERIOR	LOWER DISTRIBUTOR
LB.271	ESTRANGULAD.LAVAGE D.4 LC1700	D.4 LC1700 WASH SWIRL
LB.281	JUNTA RACOR	RACCORD GASKET
LB.286	TORNILLO	SCREW
LB.292	JUNTA PLANA	PLANE GASKET
LB.434	JUNTA PLANA GOMA	GASKET
LB.435	EMPALME ARBOL LAVADO	WASHING TREE JUNCTION
LB.456	CUERPO DISTRIBUIDOR LC2000	LC2000 DISTRIBUTOR BODY
LB.457	TURBINA	TURBINE
LB.458	JUNTA MOTOR LC2000	LC2000 MOTOR GASKET
LB.459	TAPA MOTOR LC2000	LC2000 MOTOR GASKET
LB.460	CONDENSADOR 16MF 425V 1HP	16MF 425V 1HP CONDENSER
LB.461	MOTOR 1HP LC2000	LC2000 1HP MOTOR
LB.462	RETEN CERAMICA	CERAMIC MECHANICAL SEAL
LB.463	RETEN MUELLE	SPRING MECHANICAL SEAL
LB.464	ARBOL LAVADO LC2300 - LC2300TR	LC2300 - LC2300TR - LC2600 - L
V...5	TUBO GOMA 10X16 20 ATM	20ATM 10X17 RUBBER PIPE
V...62	ABRAZADERA 12-20	12-20 CLAMP

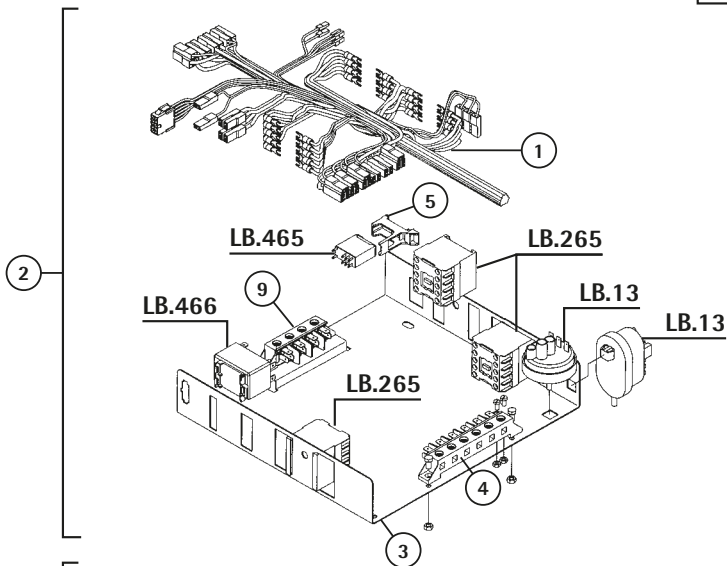
REF.	DESCRIPCIÓN	DESCRIPTION
LB..33	TAPON SURTIDOR ARBOL LAVA	WATER SPOUT CAP
LB..48	JUNTA ARBOL LAVADO	WASH ARM SILICONE GASKET
LB.103	RACOR ARBOL LAVADO	WASHING ARM FITTING
LB.112	CODO DISTRIBUIDOR	DISTRIBUTOR ELBOW
LB.113	TUERCA PLASTICO CODO DISTRIB.	DISTRIB. ELBOW NUT
LB.114	JUNTA TUERCA GOMA	NUT RUBBER GASKET
LB.115	DISTRIBUIDOR LAVADO SUP.	UPPER WASHING DISTRIBUTOR
LB.117	DISTRIBUIDOR LAVADO INF.	LOWER WASHING DISTRIBUTOR
LB.150	ARBOL LAVADO SUPERIOR	UPPER WASHING TREE
LB.151	ARBOL LAVADO INFERIOR	LOWER WASHING TREE
LB.159	MANGUITO ASPIRACION	SUCTION SLEEVE
LB.161	MANGUITO LC-2600/2800	LC-2600/2800 SLEEVE
LB.162	MOTOR LC-2600/2800 1,5CV	1.5CV LC2600/2800 MOTOR
LB.170	ABRAZADERA 40-60	40-60 CLAMP
LB.171	RACOR DOS.INOX .L.46mm 3/8M	L.46mm LONG DOSIM.FITTING
LB.173	ABRAZADERA 60-80	60-80 CLAMP
LB.253	MANGUITO EMPALME	SLEEVE
LB.261	DISTRIBUIDOR INFERIOR	LOWER DISTRIBUTOR
LB.271	ESTRANGULAD.LAVAGE D.4 LC1700	D.4 LC1700 WASH SWIRL
LB.281	JUNTA RACOR	RACCORD GASKET
LB.292	JUNTA PLANA	PLANE GASKET
LB.434	JUNTA PLANA GOMA	GASKET
LB.435	EMPALME ARBOL LAVADO	WASHING TREE JUNCTION
LB.456	CUERPO DISTRIBUIDOR LC2000	LC2000 DISTRIBUTOR BODY
LB.462	RETEN CERAMICA	CERAMIC MECHANICAL SEAL
LB.463	RETEN MUELLE	SPRING MECHANICAL SEAL
LB.464	ARBOL LAVADO LC2300 - LC2300TR	LC2300 - LC2300TR - LC2600 - L
LB.471	CONDENSADOR 31,5MF 400V	31,5MF 400V CONDENSER
LB.472	JUNTA MOTOR	MOTOR GASKET
LB.473	TURBINA LB162	TURBINE
LB.474	TAPA MOTOR LB162	LB162 MOTOR LID
V....5	TUBO GOMA 10X16 20 ATM	20ATM 10X17 RUBBER PIPE
V...62	ABRAZADERA 12-20	12-20 CLAMP



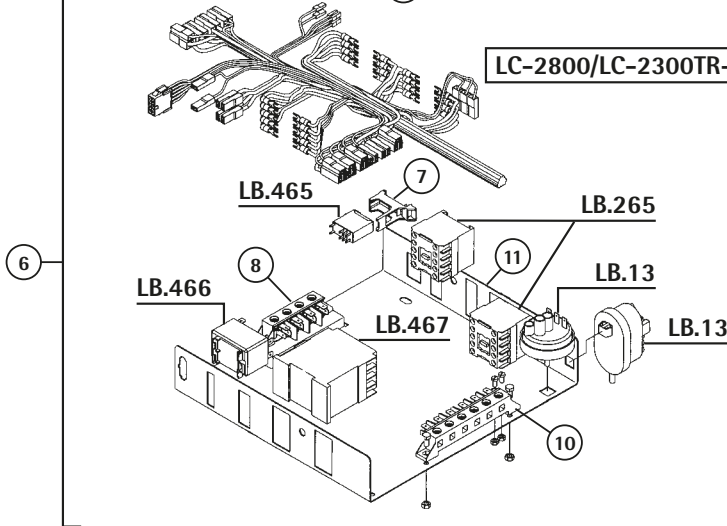
REF.	DESCRIPCIÓN	DESCRIPTION
LB..13	PRESOSTATO SAL.VERT.85/60	VERTICAL PRESSURE SWITCH
LB.465	MINI RELE	RELAY MINI
LB.466	RELE POTENCIA	POWER RELAY



LC-2300TR



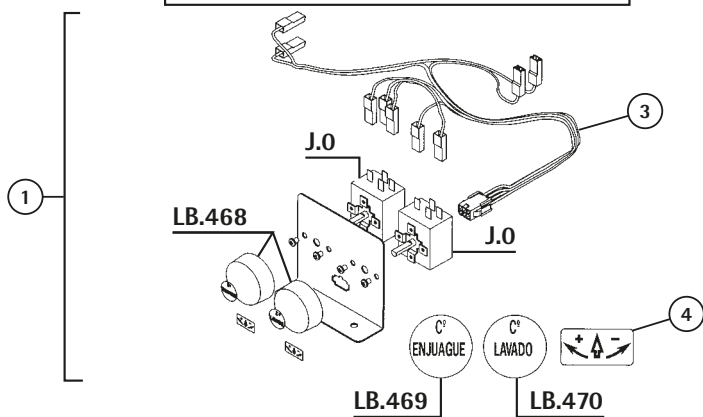
LC-2800/LC-2300TR-230V 3~



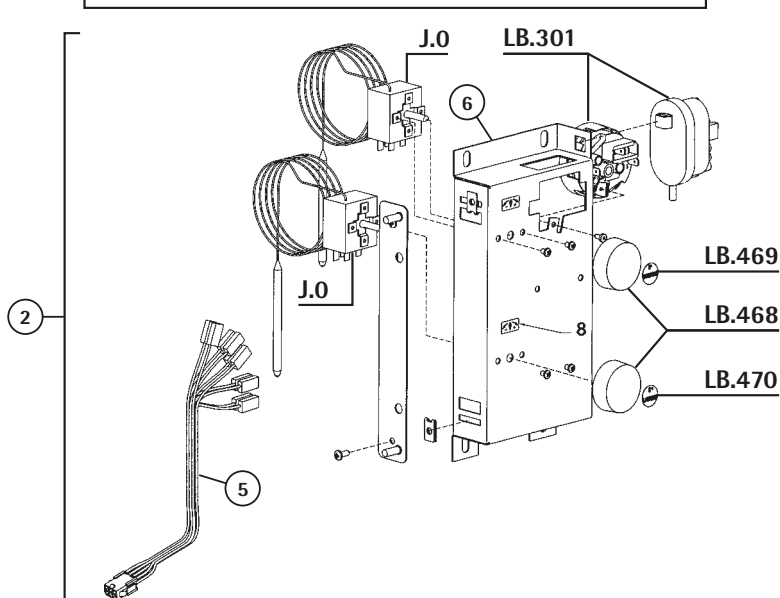
REF.	DESCRIPCIÓN	DESCRIPTION
LB..13	PRESOSTATO SAL.VERT.85/60	VERTICAL PRESSURE SWITCH
LB.265	CONTACTOR BOMBA	PUMP CONTACTOR
LB.465	MINI RELE	RELAY MINI
LB.466	RELE POTENCIA	POWER RELAY
LB.467	CONTACTOR 100-C23KF10 220/230V	100-C23KF10 220/230V CONTACTOR

Cuadro eléctrico / Termostatos LC-1000 / LC-1500 / LC-1700 / LC-2000 / LC-2300 / LC-2300TR / LC-2600 / LC-2800 / LC-3800 / LC-4200 ■ Thermostats / Electric panel

LC-100/LC-1500/LC-1700/
LC-2000/LC-2300TR/LC-2600/LC-2800



CUADRO ELÉCTRICO TERMOSTATOS LC-3800/LC-4200



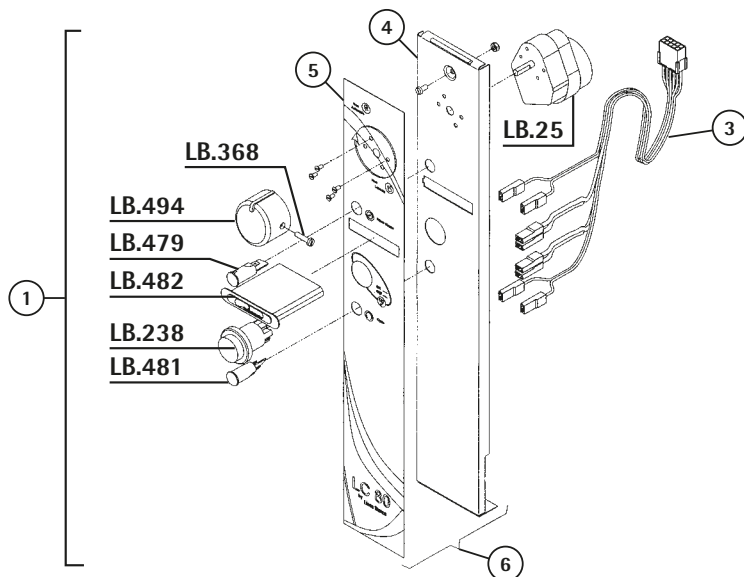
REF.	DESCRIPCIÓN	DESCRIPTION
J...0	TERMOSTATO 0-90°	0-90° THERMOSTAT
LB.301	PRESOSTATO	PRESSURE SWITCH
LB.468	MANDO 0°/90° ORIGINAL	ORIGINAL 0° / 90° KNOB
LB.469	SERIGRAFIA ACLARADO	RINSE MEMBRANE
LB.470	SERIGRAFIA LAVADO	WASHING MEMBRANE

45 years offering

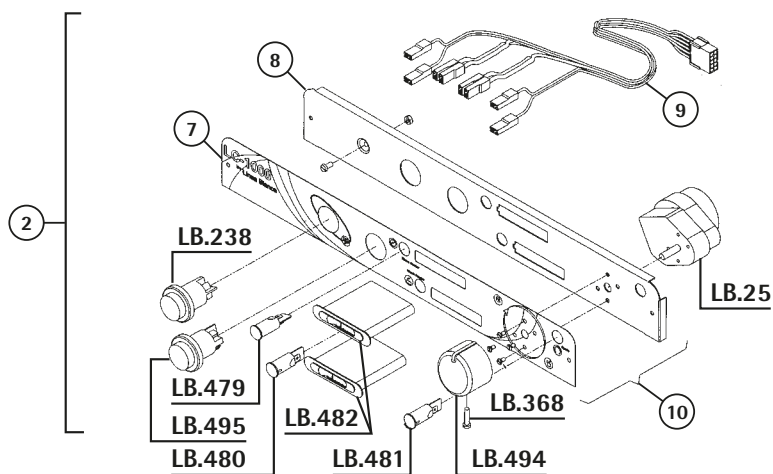


quality, service and competitiveness.

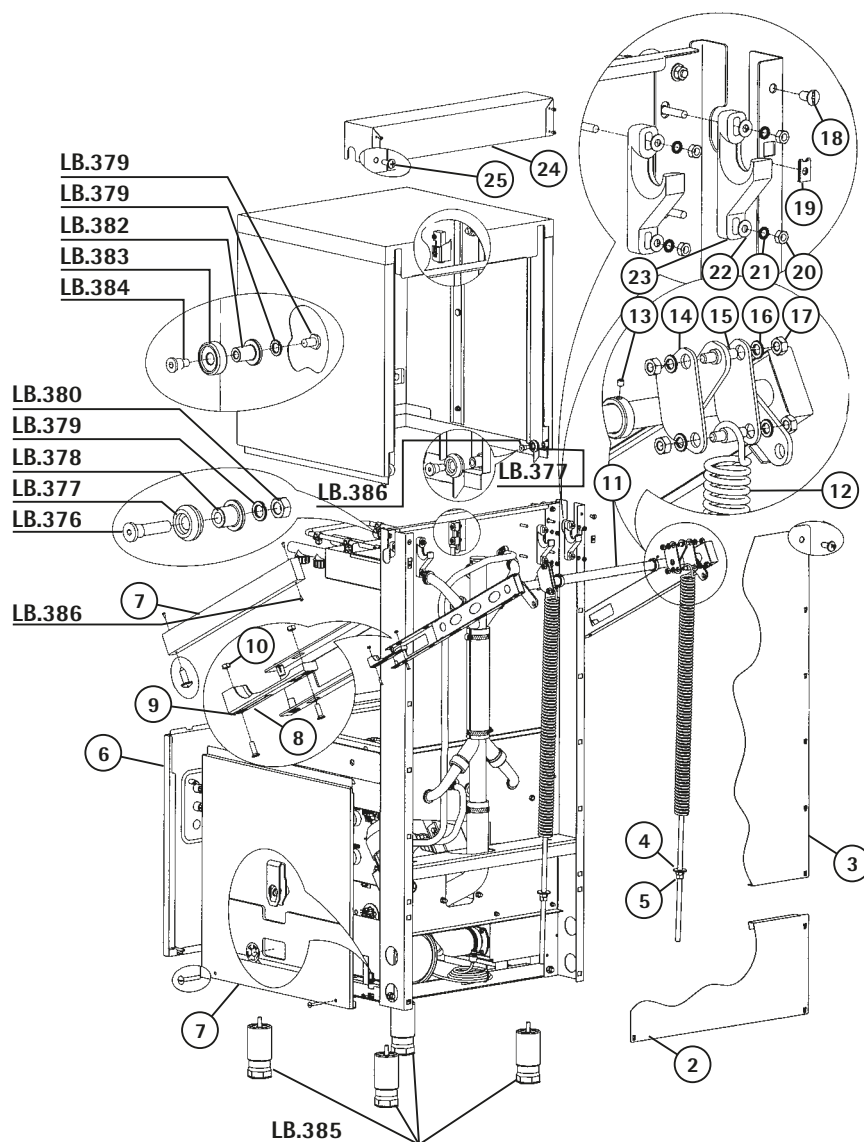
REF.	DESCRIPCIÓN	DESCRIPTION
LB..25	PROGRAMADOR CICLO 2MICROS	2TOOTH CYCLE TIMER
LB.238	INTERRUPTO.ON-OFF REDONDO VERD	ROUND ON-OFF SWITCH
LB.368	TORNILLO MANDO PROGRAMADOR	TIMER KNOB SCREW
LB.479	PILOTO ROJO LED 22V	LED RED PILOT 22V
LB.480	PILOTO VERDE LED 220V	LED GREEN PILOT 220V
LB.481	PILOTO AMBAR LED 220V	LED ORANGE PILOT 220V
LB.482	TERMOMETRO RECTANGULAR	THERMOMETER
LB.494	MANDO	KNOB
LB.495	PULSADOR AMBAR 22V	220V ORANGE PUSH BUTTON

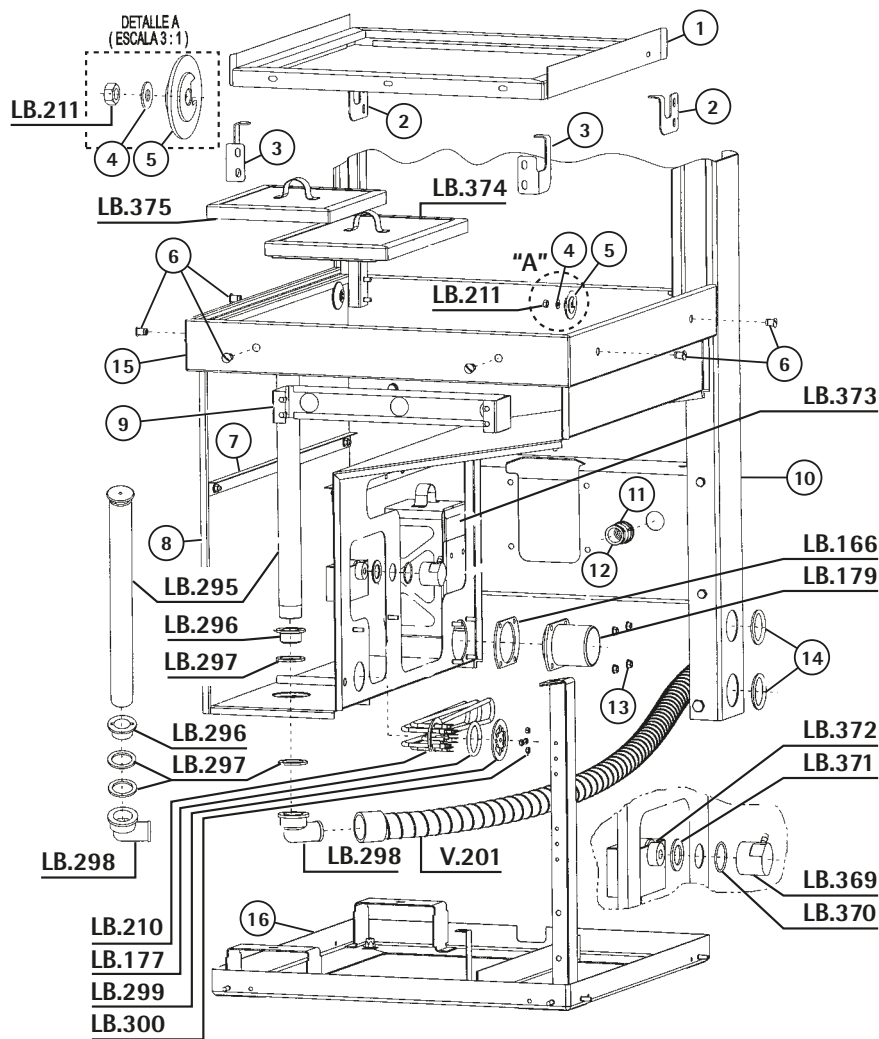


LC-1000/LC-1500/LC-1700/LC-2000/
LC-2300/LC-2300TR/LC-2600/LC-2800



REF.	DESCRIPCIÓN	DESCRIPTION
LB.376	PASADOR	PIN
LB.377	RUEDA CPULA	ROLLER
LB.378	SEPARADOR RUEDA	ROLLER SPACER
LB.379	ARANDELA	WASHER
LB.380	TUERCA INOX M10	INOX NUT M10
LB.382	SEPARADOR RUEDA	ROLLER SPACER
LB.383	RUEDA CPULA	ROLLER
LB.384	PASADOR	PIN
LB.385	PATA LC3800/4200	LC3800/4200 FOOT
LB.386	PASADOR	PIN

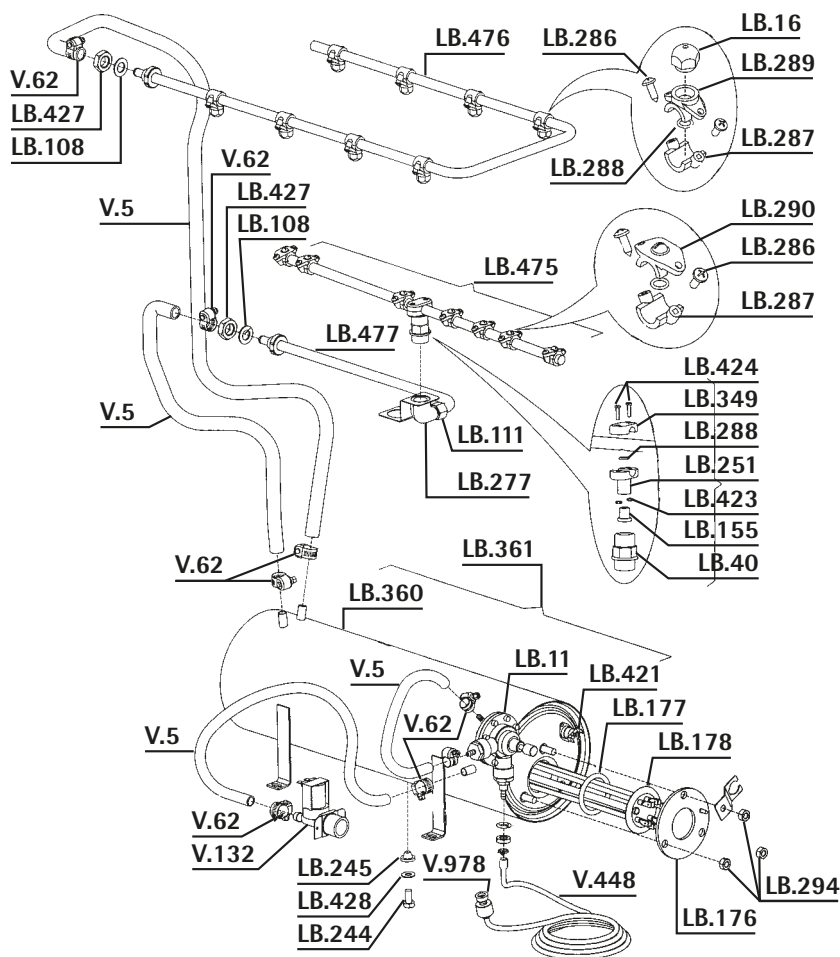




REF.	DESCRIPCIÓN	DESCRIPTION
LB.166	JUNTA SOPORTE FILTRO GOMA	FILTER SUPPORT RUB.GASKET
LB.177	TORICA RESISTENCIA GOMA	RESISTANCE RUBBER RING
LB.179	SOPORTE FILTRO	FILTER SUPPORT
LB.210	RESISTENCIA CUBA 5000W 230V	TANK RESISTANCE 5000W 230V
LB.211	TUERCA	NUT
LB.295	REBASADERO	OVERFLOW
LB.296	RACOR DESAGÜE	OUTLET FITTING
LB.297	JUNTA	GASKET
LB.298	CODO DESAGUE	OUTLET ELBOW
LB.299	ARANDELA SUJECCION	WASHER
LB.300	TUERCA	NUT
LB.369	CAMARA PRESOSTATICA	PRESSURE SWITCH CHAMBER
LB.370	JUNTA CAMARA PRESOSTATICA	PRESSURE SWITCH CHAMBER GASKET
LB.371	JUNTA PLANA CAMARA	PLANE GASKET
LB.372	CUERPO CAMARA PRESOSTATICA	PRESSURE SWITCH CHAMBER BODY
LB.373	FILTRO ASPIRACION	ASPIRATION FILTER
LB.374	FILTRO LARGO	LONG FILTER
LB.375	FILTRO CORTO	SHORT FILTER
V..201	TUBO DESAGÜE 28mm. 1,5mt.	28mm. 1.5mt. OUTLET PIPE

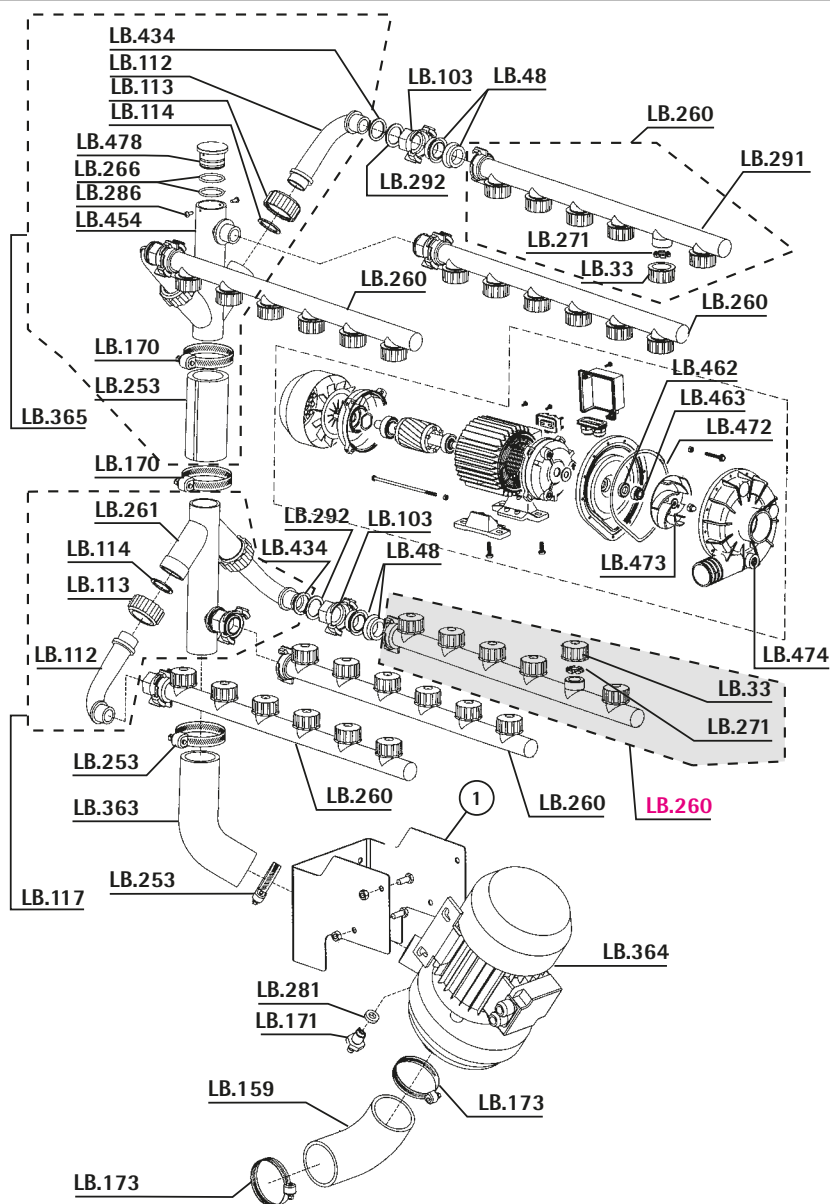
Aclarado LC-3800 / LC-4200 ■ LC-3800 / LC-4200 Rinse

1334

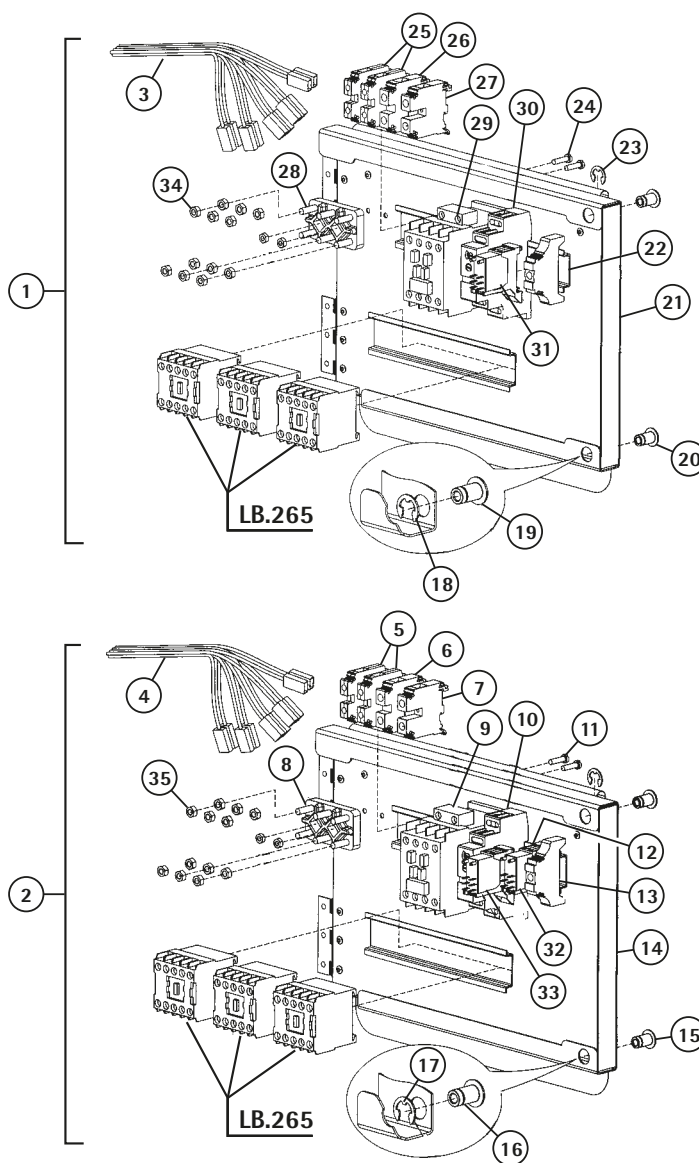


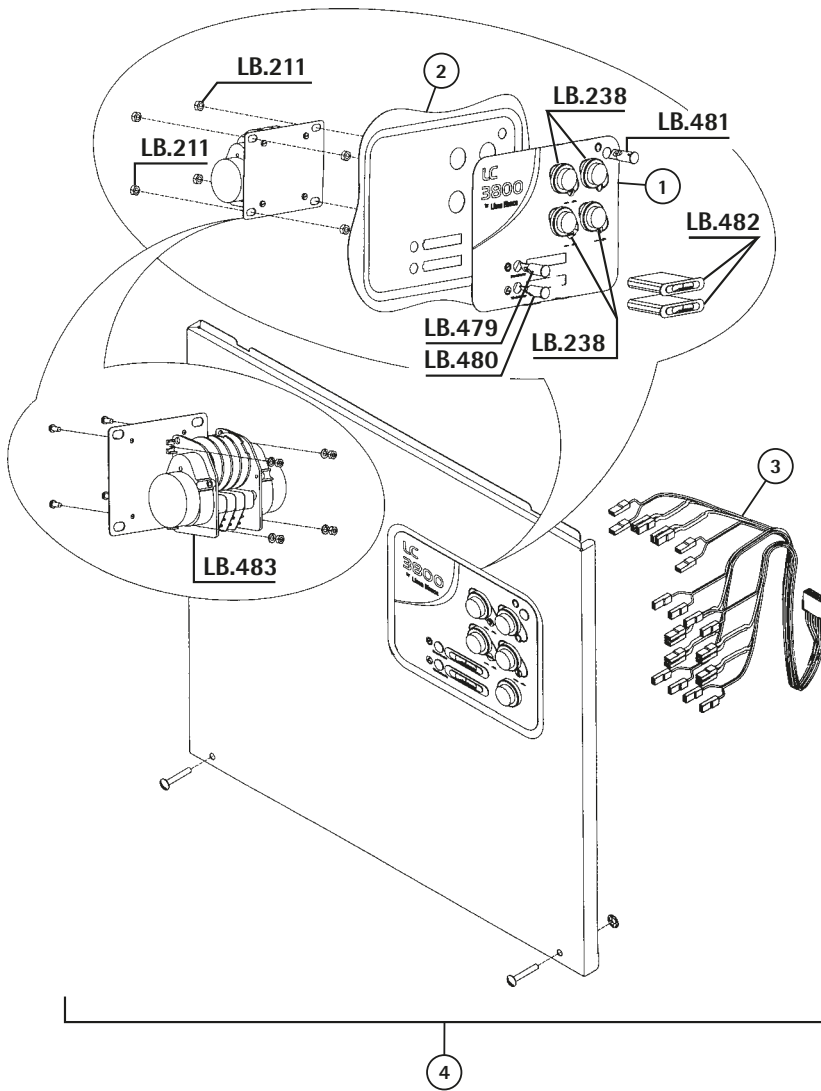
REF.	DESCRIPCIÓN	DESCRIPTION
LB..11	DOSIFICADOR ABRILLANTADOR	RINSE AID DOSIMETER
LB..16	ROCIADORES ACLARADO	WASHING SPRAY
LB..40	SOPORTE GIRATORIO	REVOLVING SUPPORT
LB.108	JUNTA RACOR GOMA	FITTING RUBBER GASKET
LB.111	TUERCA ASTA ACLARADO	RINSE ARM NUT
LB.155	TUERCA GIRATORIO	REVOLVING ARM NUT
LB.176	ARANDELA RESISTENCIA	RESISTANCE WASHER
LB.177	TORICA RESISTENCIA GOMA	RESISTANCE RUBBER RING
LB.178	RES.CALDERIN 6000W 230/400V	6000W 230/400V BOILER RESIST.
LB.244	TORNILLO DESAGÜE CALDERIN	BOILER OUTLET SCREW
LB.245	JUNTA GOMA	RUBBER GASKET
LB.251	P/INF.VOLANTE ARB.ENJ.GIRATORIO	MODERN LOWER GYRATORI SUPPORT
LB.277	CODO PLASTICO ARBOL	ELBOW FITTING
LB.286	TORNILLO	SCREW
LB.287	SOPORTE INYECTOR	INJECTOR SUPPORT
LB.288	TORICA	RING
LB.289	SOPORTE SUPERIOR	SUPPER SUPPORT
LB.290	INYECTOR ACLARADO	RINSE INJECTOR
LB.294	TUERCA	NUT
LB.349	BRIDA SUPERIOR GIRATORIO INOX	INOX GIRATORY UPPER CLASP
LB.360	CALDERÓN LC3800/4200	BOILER LC3800/4200
LB.361	CALDERÓN LC3800/4200 COMPLETO	BOILER LC3800/4200 COMPLET
LB.421	TERMOSTATO CALDERIN	BOILER THERMOSTAT
LB.423	TUERCA	NUT
LB.424	TORNILLO	SCREW
LB.427	TUERCA	NUT
LB.428	ARANDELA	WASHER
LB.475	GIRATORIO ACLARADO LC3800 - LC	LC3800 - LC4200 RINSE GIRATORY
LB.476	ARBOL ACLARADO LC3800 - LC4200	LC3800 - LC4200 RINSE TREE
LB.477	SOPORTE GIRATORIO LC3800 - LC4	GIRATORY SUPPORT LC3800 - LC42
V...5	TUBO GOMA 10X16 20 ATM	20ATM 10X17 RUBBER PIPE
V...62	ABRAZADERA 12-20	12-20 CLAMP
V.132	ELECTROVAL.1 VIA LAV.220V	WASH 1 WAY 220V SOLENOID
V.448	TUBO PRESOSTATO-METRO 4X6	4X6 PRE.SWITCH INLET PIPE
V.978	FILTRO DOSIFICADOR	DOSIMETER FILTER

REF.	DESCRIPCIÓN	DESCRIPTION
LB..33	TAPON SURTIDOR ARBOL LAVA	WATER SPOUT CAP
LB..48	JUNTA ARBOL LAVADO	WASH ARM SILICONE GASKET
LB.103	RACOR ARBOL LAVADO	WASHING ARM FITTING
LB.112	CODO DISTRIBUIDOR	DISTRIBUTOR ELBOW
LB.113	TUERCA PLASTICO CODO DISTRIB.	DISTRIB. ELBOW NUT
LB.114	JUNTA TUERCA GOMA	NUT RUBBER GASKET
LB.117	DISTRIBUIDOR LAVADO INF.	LOWER WASHING DISTRIBUTOR
LB.159	MANGUITO ASPIRACION	SUCTION SLEEVE
LB.170	ABRAZADERA 40-60	40-60 CLAMP
LB.171	RACOR DOS.INOX .L.46mm 3/8M	L.46mm LONG DOSIM.FITTING
LB.173	ABRAZADERA 60-80	60-80 CLAMP
LB.253	MANGUITO EMPALME	SLEEVE
LB.260	ARBOL LAVADO	WASH ARM
LB.261	DISTRIBUIDOR INFERIOR	LOWER DISTRIBUTOR
LB.266	TAPON DISTRIBUIDOR	DISTRIBUTOR CAP
LB.271	ESTRANGULAD.LAVAGE D.4 LC1700	D.4 LC1700 WASH SWIRL
LB.281	JUNTA RACOR	RACCORD GASKET
LB.286	TORNILLO	SCREW
LB.291	ARBOL LAVADO	WASH ARM
LB.292	JUNTA PLANA	PLANE GASKET
LB.363	CODO IMPULSI" N LC3800/4200	LC3800/4200 IMPULSE ELBOW
LB.365	DISTRIB LAVADO SUP.LC3800/4200	UPPER WASHING DIST.LC3800/4200
LB.434	JUNTA PLANA GOMA	GASKET
LB.454	CUERPO DISTRIBUIDOR LAVADO LC1	WASHING DISTRIBUTOR BODY
LB.462	RETEN CERAMICA	CERAMIC MECHANICAL SEAL
LB.463	RETEN MUELLE	SPRING MECHANICAL SEAL
LB.472	JUNTA MOTOR	MOTOR GASKET
LB.473	TURBINA LB162	TURBINE
LB.474	TAPA MOTOR LB162	LB162 MOTOR LID
LB.478	TAPON DISTRIBUTEUR	DISTRIBUTOR LID

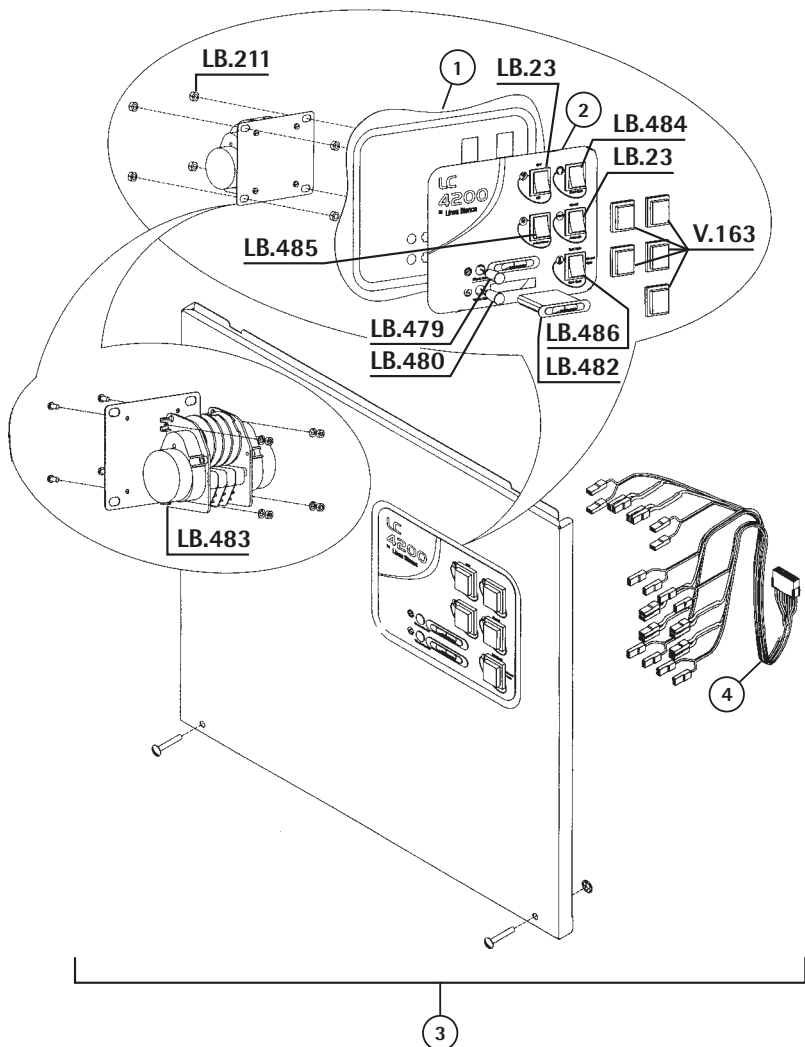


REF.	DESCRIPCIÓN	DESCRIPTION
LB.265	CONTACTOR BOMBA	PUMP CONTACTOR



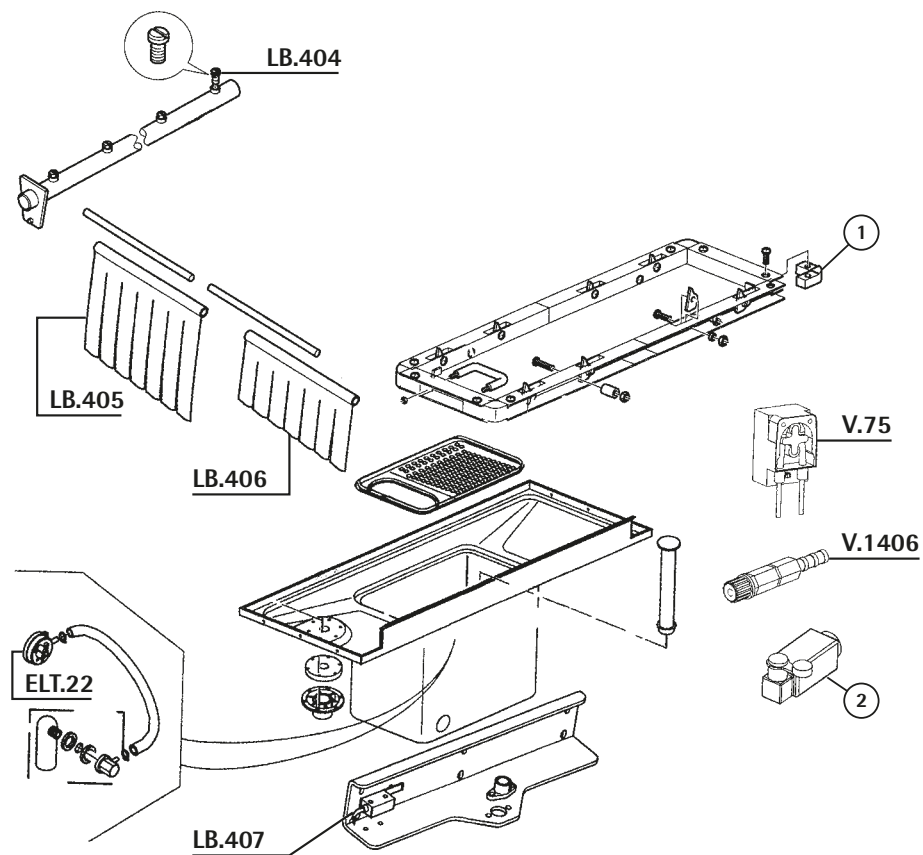


REF.	DESCRIPCIÓN	DESCRIPTION
LB.211	TUERCA	NUT
LB.238	INTERRUPTO.ON-OFF REDONDO VERD	ROUND ON-OFF SWITCH
LB.479	PILOTO ROJO LED 22V	LED RED PILOT 22V
LB.480	PILOTO VERDE LED 220V	LED GREEN PILOT 220V
LB.481	PILOTO AMBAR LED 220V	LED ORANGE PILOT 220V
LB.482	TERMOMETRO RECTANGULAR	THERMOMETER
LB.483	PROGRAMADOR 4 MICROS	TIMER 4 MICROS

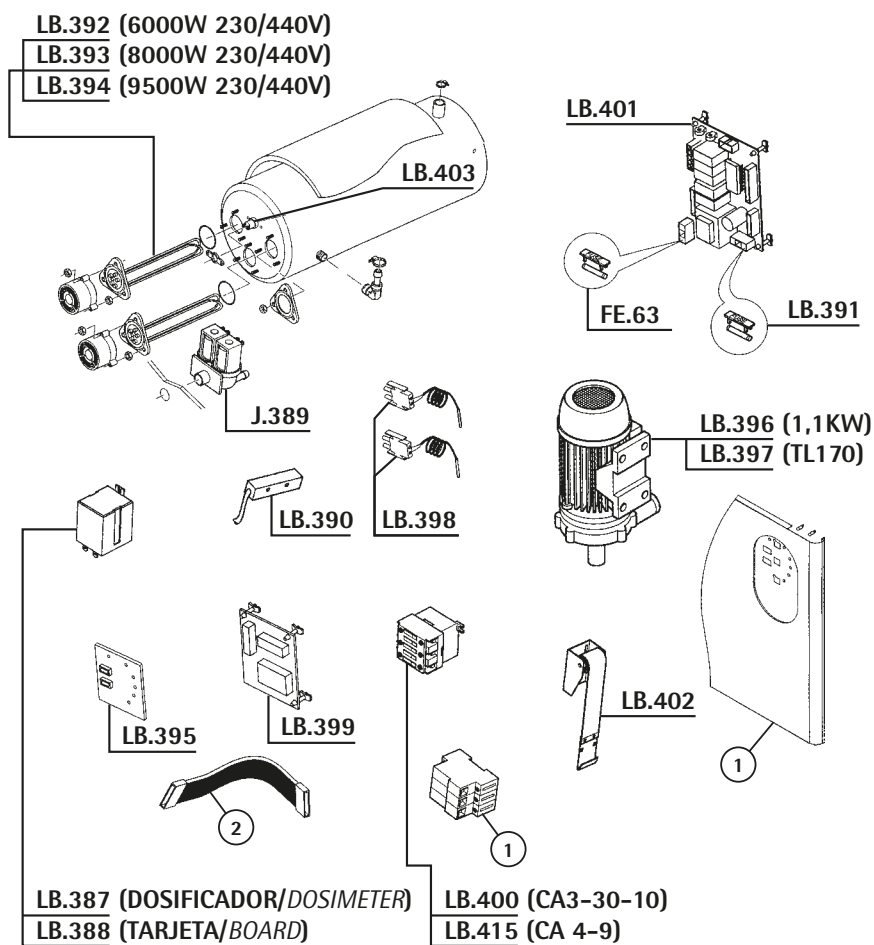


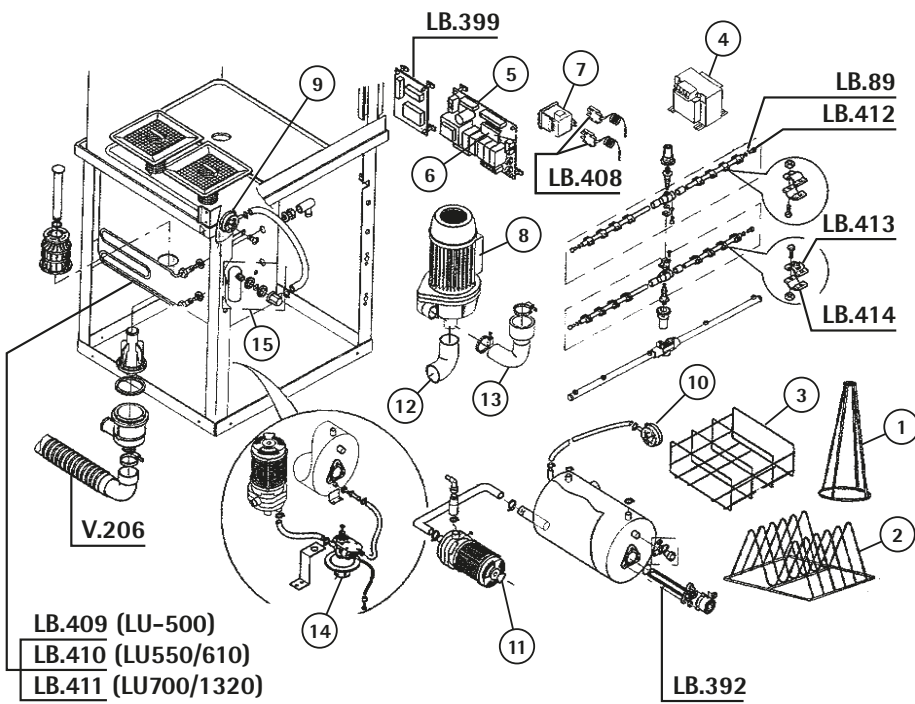
REF.	DESCRIPCIÓN	DESCRIPTION
LB..23	INTERRUPTOR 4FAXTON VERDE	GREEN 4 FAXTON SWITCH
LB.211	TUERCA	NUT
LB.479	PILOTO ROJO LED 22V	LED RED PILOT 22V
LB.480	PILOTO VERDE LED 220V	LED GREEN PILOT 220V
LB.482	TERMOMETRO RECTANGULAR	THERMOMETER
LB.483	PROGRAMADOR 4 MICROS	TIMER 4 MICROS
LB.484	COMMUTADOR AMBAR	ORANGE SWITCH
LB.485	COMMUTADOR AMARILLO	YELLOW SWITCH
LB.486	INTERRUPTOR ROJO 3 POSICIONES	RED SWITCH
V.163	FUNDA ESTANQUEIDAD	WATERTIGHTNESS COVER

REF.	DESCRIPCIÓN	DESCRIPTION
ELT.22	PRESOSTATO 180/70	180/70 PRESSURE SWITCH
LB.404	ROCIADOR INOX ACLARADO TL	WASHING INOX SPRAY TL
LB.405	CORTINA ENTRADA/SALIDA	IN/OUT BLIND
LB.406	CORTINA INTERMEDIA	BLIND
LB.407	MICRO PUERTA	DOOR MICROSWITCH
V...75	DOSIF.PERISTALTICO REGULA	ADJUSTABLE DOSIMETER
V.1406	VALVULA ANTIRETORNO	ANTI-RETURN VALVE



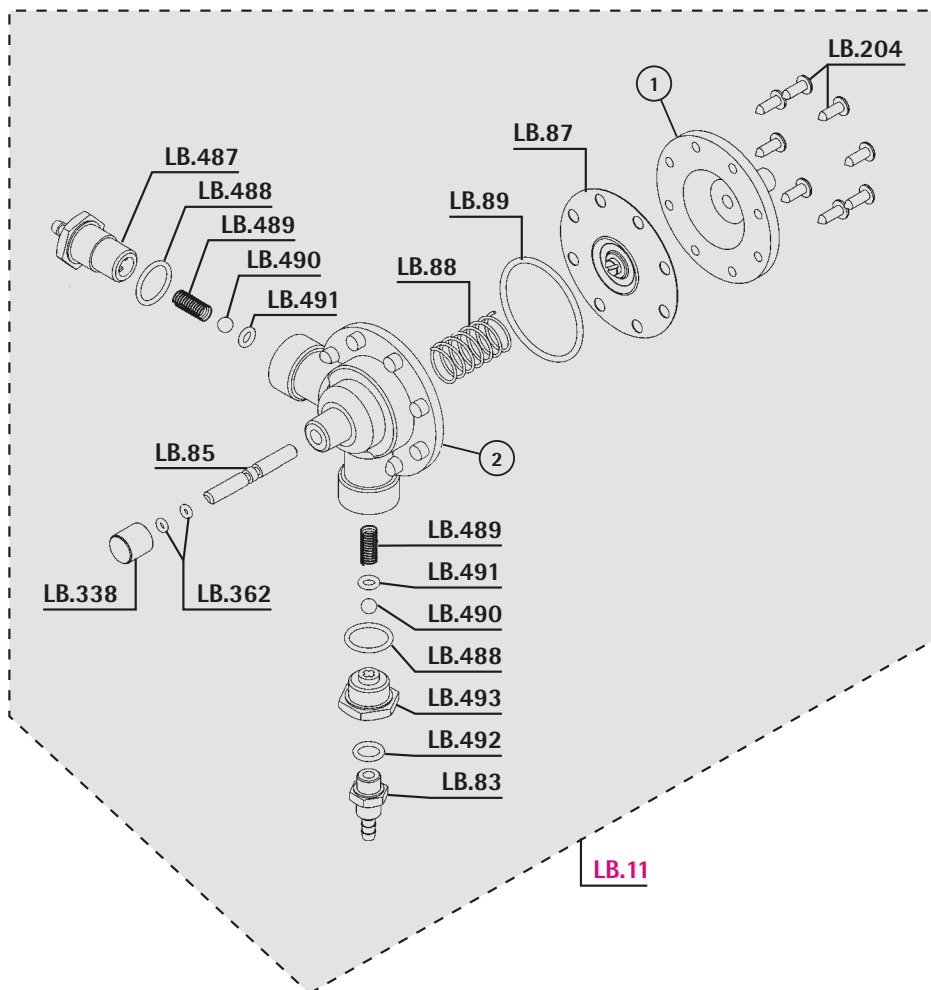
REF.	DESCRIPCIÓN	DESCRIPTION
FE..63	FUSIBLE 3.15A	3.15A FUSE
J..389	ARTICULO DADO DE BAJA	CANCEL
LB.387	RELE 16A	RELAY 16A
LB.388	RELE TARJETA TL	TL BOARD RELAY
LB.390	MICROINTERRUPTOR MAGN...TICO	MAGENITC MICROSWITCH
LB.391	FUSIBLE 8000MA	FUSE 8000MA
LB.392	RESISTENCIA 6000W 230/440V	RESISTANCE 6000W 230/440V
LB.393	RESISTENCIA 8000W 230/400V	RESISTANCE 8000W 230/400V
LB.394	RESISTENCIA 9500W 230/400V	RESISTANCE 9500W 230/400V
LB.395	TARJETA CONTROL TL	CONTROL BOARD TL
LB.396	MOTOR LAVADO 1,1KW	WASHING MOTOR 1,1KW
LB.397	MOTOR PRELAVADO TL170	WASHING MOTOR TL170
LB.398	SONDA CALDERÓN	BOILER PROBE
LB.399	TARJETA AUXILIAR	AUXILIARY BOARD
LB.400	CONTACTOR CA-3-30-10 220V 50HZ	CONTACTOR CA-3-30-10 220V 50HZ
LB.401	TARJETA PRINCIPAL TL	MAIN ELECTRONIC BOARD TL
LB.402	KIT TENSOR PUERTA	DOOR TIGHTENER KIT
LB.403	TERMOSTATO SEGURIDAD TL	SAFETY THERMOSTAT TL
LB.415	ARBOL ACLARAD. INF.LC3800 INOX	LC3800 INOX LOWER WASH ARM





REF.	DESCRIPCIÓN	DESCRIPTION
LB..89	TORICA DOSF.ABRILLANTADOR	DOSIMETER RING
LB.392	RESISTENCIA 6000W 230/440V	RESISTANCE 6000W 230/440V
LB.399	TARJETA AUXILIAR	AUXILIARY BOARD
LB.408	TERMOSTATO MOD. LU	THERMOSTAT MOD. LU
LB.409	RESISTENCIA LU500	RESISTANCE LU500
LB.410	RESISTENCIA LU550/610	RESISTANCE LU550/610
LB.411	RESISTENCIA LU700/1320	RESISTANCE LU700/1320
LB.412	TAPON SURTIDOR	SPRAY LID
LB.413	SURTIDOR ACLARADO SUPERIOR	UPPER WASHING SPRAY
LB.414	BRIDA SURTIDOR ACLARADO INF.	LOWER WASHING SPRAY CLASP
V..206	TUBO DESAGÜE CON CODO	WITH ELBOW OUTLET PIPE

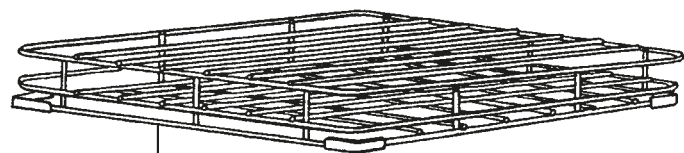
Dosificador abrillantador ■ Rinse aid dosimeter 1342



REF.	DESCRIPCIÓN	DESCRIPTION
LB..11	DOSIFICADOR ABRILLANTADOR	RINSE AID DOSIMETER
LB..83	RACOR ENTRADA DOSIFICADO	DOSIMETER INLET FITTING
LB..85	EJE DOSF.ABRILLANTADOR	DOSIMETER ROD
LB..87	MEMBRANA DOSF.ABRILLANTAD	DOSIMETER MEMBRANE
LB..88	MUELLE DOSF.ABRILLANTADOR	DOSIMETER SPRING
LB..89	TORICA DOSF.ABRILLANTADOR	DOSIMETER RING
LB.204	TORNILLO INOX	INOX SCREW
LB.338	POMO DOSIFICADOR	RINSE AID DOSIMETER KNOB
LB.362	JUNTA EJE DOSIFICADOR	DOSIMETER ROD GASKET
LB.487	RACOR SALIDA DOSIFICADOR	AID OUT FITTING
LB.488	JUNTA	GASKET
LB.489	MUELLE	SPRING
LB.490	BOLA	BEARING BALL
LB.491	JUNTA	GASKET
LB.492	JUNTA	GASKET
LB.493	RACOR ENTRADE SEGURIDAD	SAFETY FITTING

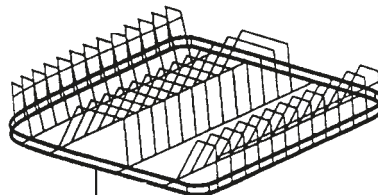


REF.	DESCRIPCIÓN	DESCRIPTION
LB...7	CESTO CUADRO VASOS 42x49	42X49 GLASSES BASKET
LB...8	CESTO CUADRO PLATOS 42x49	42X49 DISH BASKET
V...29	CESTO CUADRO PLATOS 40x40	40X40 SQUARE PLATE BASKET
V...32	CESTO CUCHARAS PLASTICO	PLASTIC SPOON BASKET
V..173	INSERTO PLATOS 30CMT.	30CMT DISHES INSERT
V..175	INSERTO PLATOS 42CMT.	42CMT DISHES INSERT
V..526	CESTO CUCHARAS CUADRADO	SQUARE SPOON BASKET
V..610	CANTONERA CESTO CUADRADO	BASKET SQUARE CORNERPIECE
V..964	INSERTO PLATOS 36CMT.	36CMT DISHES INSERT
V.1250	CESTA VASOS 50X50	50X50 GLASSES RACK
V.1252	CEST.PLATOS-BANDEJA 50X50	PLATES AND TRAYS RACK
V.1253	CESTA BANDEJAS 50X50	50X50 OPEN TRAY RACK
WL3510	CESTO CUADRO VASOS 36x36	36X36 GLASSES BASKET
WL3511	CESTO CUADRO VASOS 40x40	40X40 GLASSES BASKET

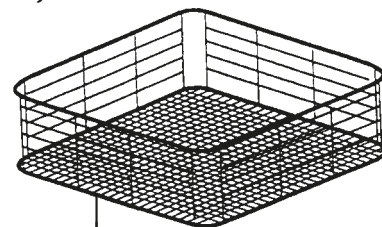


LB.7 (LC.2000)

LB.8 (LC.2000)

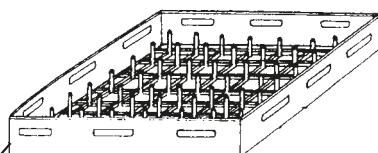


V.29 (LC.1500/LC.1700/LC.140)



WL.3510 (LC.80/1000)

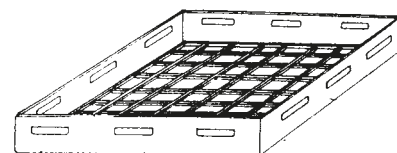
WL.3511 (LC.1500/LC.1700/LC.140)



V.1252 (LC.2300/2600/2800/

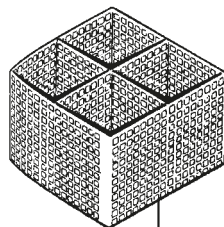
3500/3800/4000/4200)

V.1253 (BANDEJA/TRAY LC2600/2800)

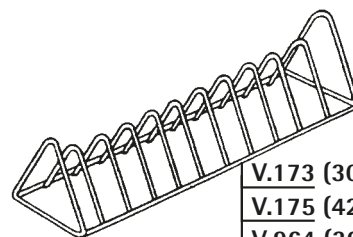


V.1250 (LC.2300/2600/2800/

3500/3800/4000/4200)



V.526



V.173 (30cm)

V.175 (42cm)

V.964 (36cm)

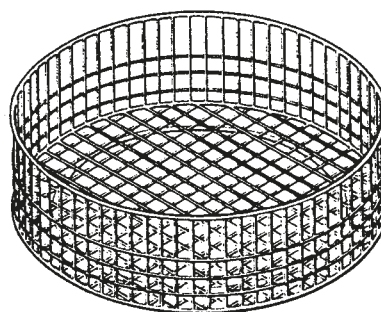


V.610



V.32

REF.	DESCRIPCIÓN	DESCRIPTION
LB...1	CESTO VASOS 36/1200	36/1200 GLASSES BASKET
LB...5	CESTO VASOS 1200-1800	1200/1800 GLASSES BASKET
LB...6	CESTO PLATOS 1200-1800	1200-1800 DISH BASKET
LB...9	CESTO VASOS 3000/600	3000/600 GLASSES BASKET
LB...10	CESTO PLATOS 3000/600	3000/600 DISH BASKET
LB.105	CESTO VASOS 2500/450	2500/450 GLASSES BASKET
LB.106	CESTO PLATOS 2500/450	2500/450 DISH BASKET
V...32	CESTO CUCHARAS PLASTICO	PLASTIC SPOON BASKET
V..173	INSERTO PLATOS 30CMT.	30CMT DISHES INSERT
V..175	INSERTO PLATOS 42CMT.	42CMT DISHES INSERT
V..526	CESTO CUCHARAS CUADRADO	SQUARE SPOON BASKET



LB.1 (LC.36/1200)

LB.5 (LC.1200/1800)

LB.9 (LC.3000/600)

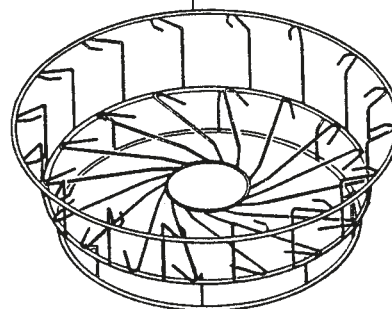
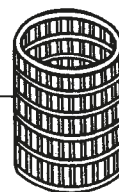
LB.105 (LC.2500/450)

LB.6 (LC.1200/1800)

LB.10 (LC.3000/600)

LB.106 (LC.2500/450)

V.32

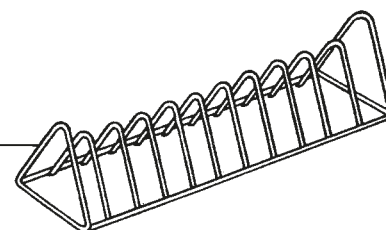


V.526

V.173 (30 cm)

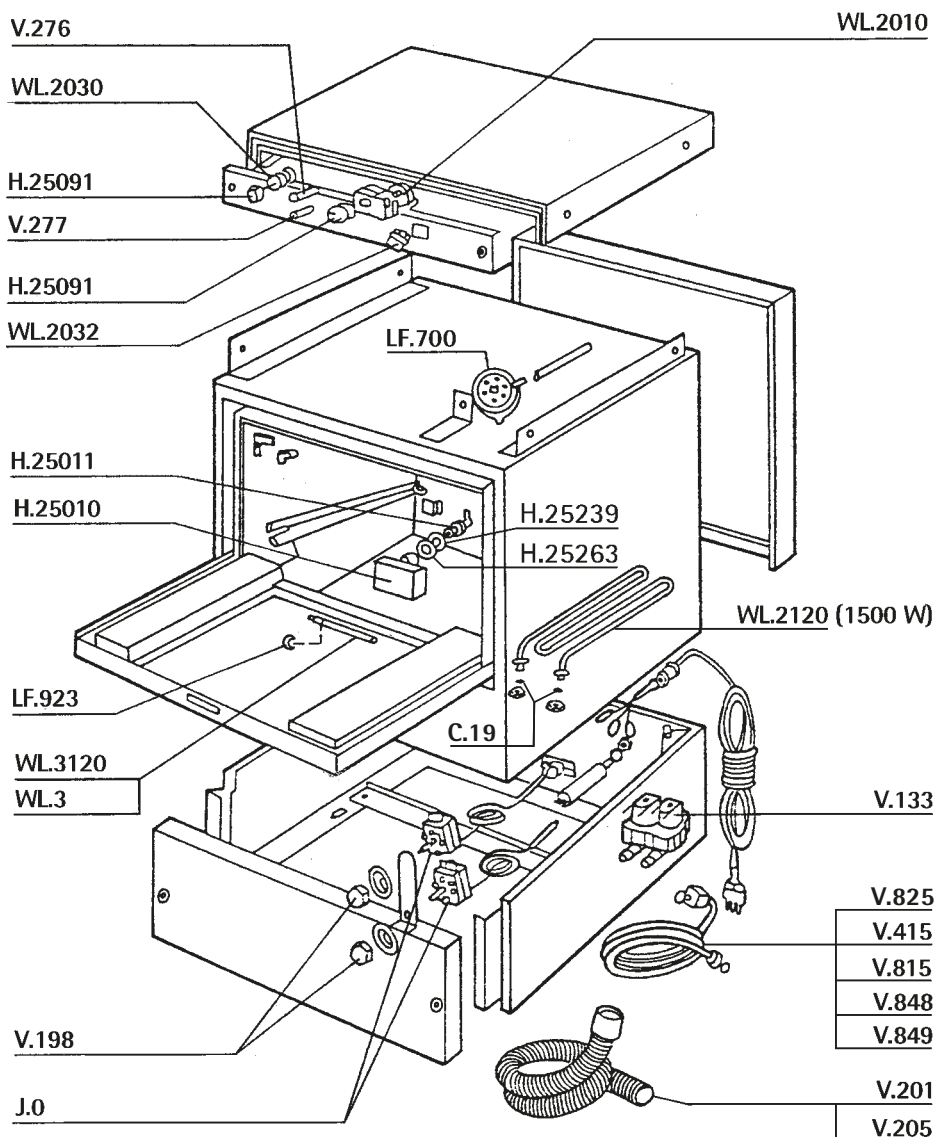
V.964 (36 cm)

V.175 (42 cm)



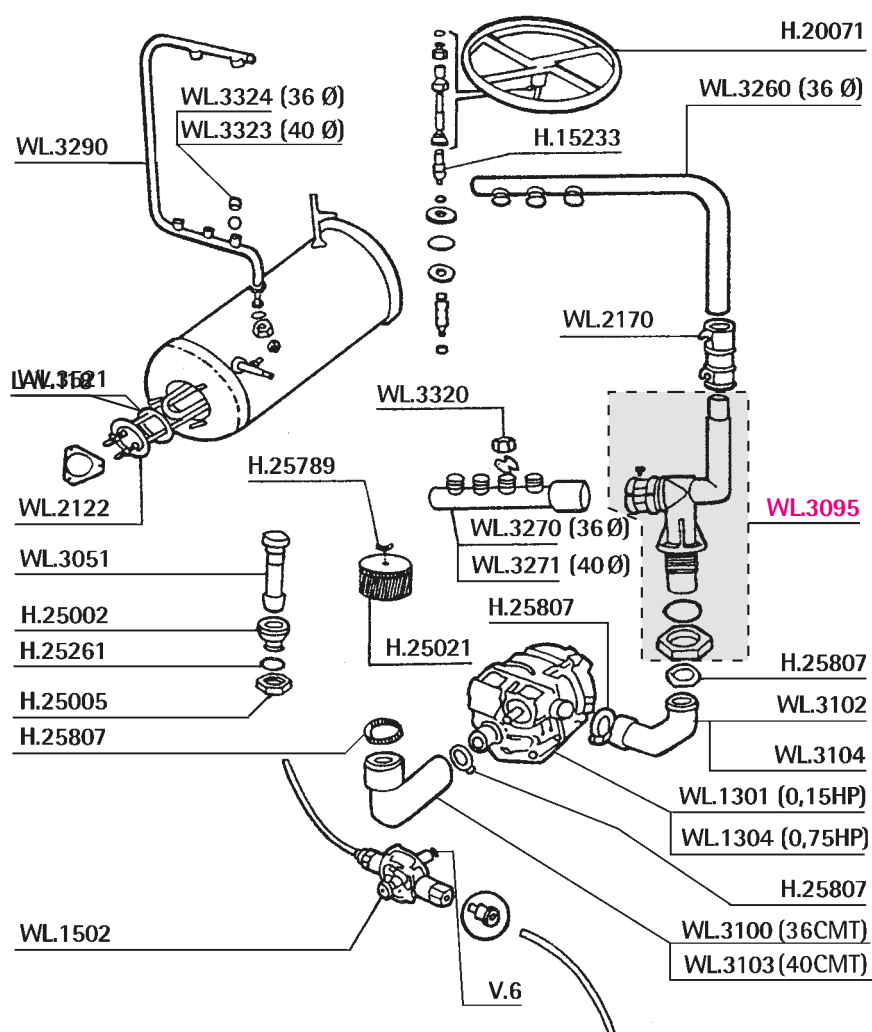
Carrocería / Varios	Bodywork / Varios	1346
Lavado - Aclarado cesto 36 cmt / 40 cmt (1)	36 cmt / 40 cmt Wash / Rinse (1)	1347
Lavado - Aclarado cesto 36 cmt / 40 cmt (2)	36 cmt / 40 cmt Wash / Rinse (2)	1348
Cestos	Baskets	1349

Carrocería / Varios ■ Bodywork / Varios 1346

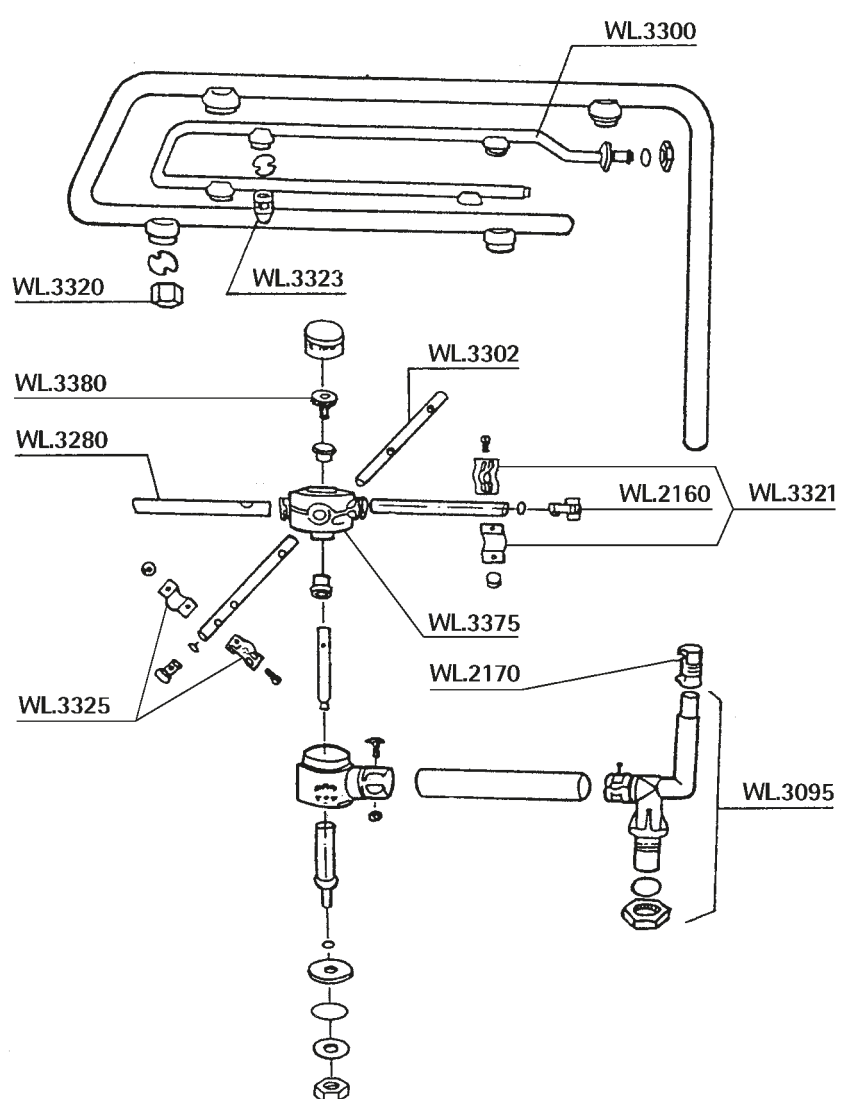


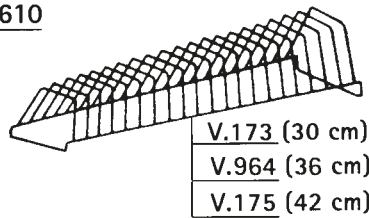
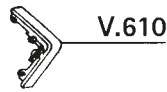
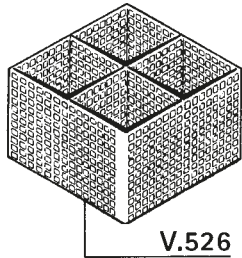
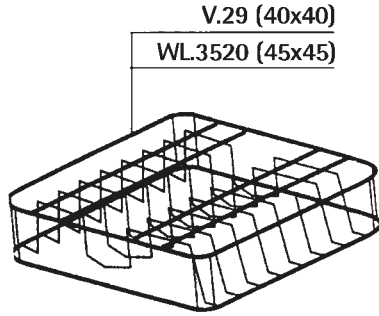
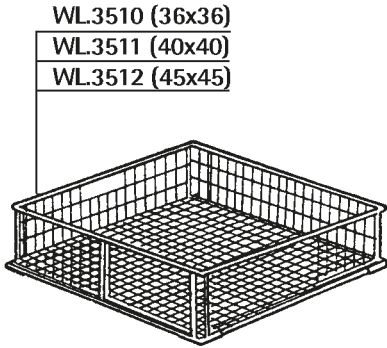
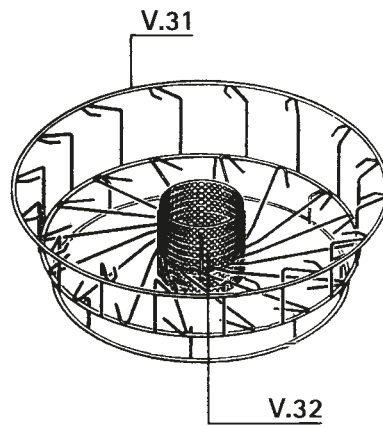
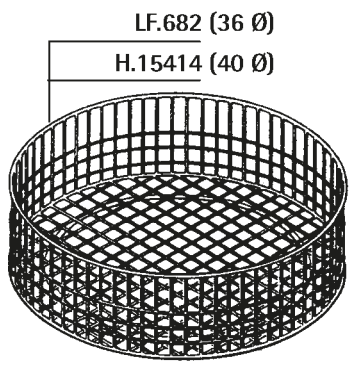
REF.	DESCRIPCIÓN	DESCRIPTION
C...19	JUNTA ALIMENTARIA	ALIMENTARY GASKET
H25010	CAMARA PRESOSTATICA	PRESSURE SWITCH CHAMBER
H25011	RACOR PLASTICO	FITTING
H25091	POMO INTERRUPTOR	SWITCH HANDLE
H25239	TORICA CIERRE	CLOSING RING
H25263	JUNTA CIERRE GOMA	CLOSING RUBBER GASKET
J...0	TERMOSTATO 0-90°	0-90° THERMOSTAT
LF.700	PRESOSTATO SAL/HOR.80/50	50/80 HORIZ.PRESS SWITCH
LF.923	ANILLO SEEGER	SEEGER RING
V.133	ELECTROVAL.2 VIA LAV.220V	WASH 2 WAYS 220V SOLENOID
V.198	MANDO TERMOSTATO 90°	90° THERMOSTAT HANDLE
V.201	TUBO DESAGÜE 28mm. 1,5mt.	28mm. 1.5mt OUTLET PIPE
V.205	DESAGÜE EXTENSIB.2mt.22x28mm	2mt EXTENSIBLE OUT PIPE
V.276	PILOTO VERDE 10mm 220V CABLE	220V 10mm GREEN LAMP
V.277	PILOTO ROJO 10mm 220V CABLE	220V 10mm RED LAMP
V.415	TOMA LAVADORA 1,5M	QUALITY 1.5M.INLET W.FLEX
V.815	TOMA LAVADORA 2 METROS	2 MT.INLET WATER FLEXIBLE
V.825	TOMA LAVADORA 1.5 "ECO"	"ECO"1.5M INLET WA.FLEXIB
V.848	TOMA LAVADORA 1.5M INOX	INOX 1.5M INLET WATER FL.
V.849	TOMA LAV.INOX 2MT.3/4X3/4	INOX 2MT.INLET WATER FLE.
WL...3	PASADOR PUERTA 500 PLATOS	GOUPILLE PORTE
WL2010	TEMPORIZ.2MICROS 90° EJE	2 TOOTH 90° ROD TIMER
WL2030	INTERRUPTOR BIPOLAR	BIPOLAR SWITCH
WL2032	PULSADOR AMBAR 4FAXTON	4 FAXTON YELLOW P.BUTTON
WL2120	RESISTENCIA CUBA 1500W	TANK RESISTANCE 1500W
WL3120	PASADOR PUERTA	DOOR PIN

REF.	DESCRIPCIÓN	DESCRIPTION
H15233	BASE EJE	ROD BASE
H20071	VOLANTE COMPLETO 29CM.	29CM.ROTATING PLATE
H25002	RACOR DESAGÜE	DRAIN FITTING
H25005	TUERCA PLASTICO	PLASTIC NUT
H25021	FILTRO CUBA	TANK FILTER
H25261	JUNTA GOMA	RUBBER GASKET
H25789	PALOMILLA FILTRO	FILTER SMUGGLER
H25807	ABRAZADERA 25-40	25-40 CLAMP
LAV118	TORICA GOMA	RING
V....6	RACOR DOSIF.ABRILL.D=10mm	D=10mm DOSIMETER FITTING
WL1301	MOTOR BOMBA 0.15HP	0.15HP WASHING PUMP
WL1304	MOTOR BOMBA 0.75HP	0.75HP WASHING PUMP
WL1502	DOSIFICADOR ABRILLANTADOR	RINSE AID DOSIMETER
WL2122	RESIST.CALDERIN 3000 W.	3000W BOILER RESISTANCE
WL2170	UNION RACORD	FITTING JUNCTION
WL3051	SOBRENIVEL	OVERFLOW
WL3095	CODO LAVATAZAS	WASHING CUP ELBOW
WL3100	MANGUITO 36CMT	36CMT SLEEVE
WL3102	MANGUITO ENVIO 36CMT	36CMT OUTLET SLEEVE
WL3103	MANGUITO 40CMT	40CMT.SUCTION SLEEVE
WL3104	MANGUITO ENVIO 40CMT	40CMT.OUTLET SLEEVE
WL3260	ASTA LAVAD.SUPCESTO RED.	UPPER RINSE ARM
WL3270	ASTA LAVADO INFER.D.36CM.	DIM.36CM.LOWER RINSE ARM
WL3271	ASTA LAVADO INFER.D.40CM.	DIM.40CM.LOWER RINSE ARM
WL3290	ASTA ACLARADO CESTO RED.	ROUND BASKET RINSE ARM
WL3320	RACOR LAVADO	WASHING FITTING
WL3323	ROCIADOR ACLARADO	RINSE SPRAY
WL3324	ROCIADOR ACLARADO	RINSE SPRAY



REF.	DESCRIPCIÓN	DESCRIPTION
WL2160	TAPON GOMA	RUBBER CAP
WL2170	UNION RACORD	FITTING JUNCTION
WL3095	CODO LAVATAZAS	WASHING CUP ELBOW
WL3280	BRAZO LAVADO	WASHING ARM
WL3300	SERPENTIN ACLAR.CESTO CUA	CLEAR COIL
WL3302	BRAZO ACLARADO	RINSE ARM
WL3320	RACOR LAVADO	WASHING FITTING
WL3321	SALIDAS LAVADO DERECHA	RIGHT WASHING TIP
WL3323	ROCIADOR ACLARADO	RINSE SPRAY
WL3325	SALIDAS ACLARADO SUP.	UPPER CLEAT TIP
WL3375	CRUZ CUATRO VIAS	4 WAYS CROSSHEAD
WL3380	TAPON CON PUNTA	CAP





REF.	DESCRIPCIÓN	DESCRIPTION
H15414	CESTO VASOS 40 CMT.	40 CM. GLASSES BASKET
LF.682	CESTO VASOS 36CMT	36 CM. GLASSES BASKET
V...29	CESTO CUADRO PLATOS 40x40	40X40 SQUARE PLATE BASKET
V...31	CESTO PLATOS 40 CMT	40 CM. DISH BASKET
V...32	CESTO CUCHARAS PLASTICO	PLASTIC SPOON BASKET
V.173	INSERTO PLATOS 30CMT.	30CMT DISHES INSERT
V.175	INSERTO PLATOS 42CMT.	42CMT DISHES INSERT
V.526	CESTO CUCHARAS CUADRADO	SQUARE SPOON BASKET
V.610	CANTONERA CESTO CUADRADO	BASKET SQUARE CORNERPIECE
V.964	INSERTO PLATOS 36cm	36cm DISHES INSERT
WL3510	CESTO CUADRO VASOS 36x36	36X36 GLASSES BASKET
WL3511	CESTO CUADRO VASOS 40x40	40X40 GLASSES BASKET
WL3512	CESTO CUADRO VASOS 45x45	45X45 GLASSES BASKET
WL3520	CESTO CUADRO PLATOS 45x45	45X45 DISH BASKET

Índice MACH index

Sistema lavado/aclarado	Wash and rinse systems	1351
Sistema lavado/aclarado	Wash and rinse systems	1352
Sistema lavado/aclarado	Wash and rinse systems	1353
Sistema lavado/aclarado	Wash and rinse systems	1354
Sistema lavado/aclarado	Wash and rinse systems	1355
Sistema lavado/aclarado	Wash and rinse systems	1356
Cámaras presostáticas / Filtros	Ais traps / Filters	1357
Filtros	Filters	1358
Filtros / Rebosaderos / Tubos desagüe	Filters / Overflow pipes / Drain pipes	1359
Tubos presión/extracción	Pressure and extraction hoses	1360
Componentes puerta	Door components	1361
Componentes puerta / Capota	Door components / Hood components	1362
Frontales	Frontfoils	1363
Interruptores / Pilotos / Electroválvulas	Switches / Lamps / Solenoid valves	1364
Electroválvulas / Programadores	Solenoid Valves / Timers	1365
Presostatos / Filtros anti-parasitos / Relés / contactores	Pressure switches / Anti-interference capacitors / Relays / Contactors	1366
Termostatos / Placas electrónicas / Termómetros	Thermostats / Electronics boards / Thermometers	1367
Placas electrónicas / Varios componentes eléctricos	Electronical boards / Electronics components various	1368
Dosificadores	Dosing pumps	1369
Resistencias / Caderines	Heating elements / Boilers	1370
Caderines	Boilers	1371
Bombas	Pumps	1372
Bombas / Bombas (recambios)	Pumps / Pumps (components)	1373



Código Code	Descripción Description	Modelo Model	Código original Original code
MAC.1	Plato giratorio Rotation plate	MB520, MB630	1591
MAC.2	Brazo lavado Wash arm		2015
MAC.3	Junta Gasket		1159
MAC.4	Tuerca lavado Wash nozzle cap		1597
MAC.5	Rompechorros Wash nozzle holder		1599



Código Code	Descripción Description	Modelo Model	Código original Original code
MAC.6	Brazo aclarado Rinse arm	MB520	2013
MAC.7	Codo conector Elbow connection	MB630	2267
MAC.263	Junta Gasket		2189
MAC.266	Tuerca CNSM20x1,5 Nut / CNSM20x1,5		1647
MAC.265	Bicono 12mm Double cone, 12mm		1071
MAC.11	Tuerca unión Union nut		1069
MAC.12	Brazo aclarado Rinse arm		2269



Código Code	Descripción Description	Modelo Model	Código original Original code
MAC.13	Brazo lava/aclara completo Wash and rinse arm	GL220, MB235LI, MB510E, MB510ER, MB520, MB520K, MB530, MB530K, MB535	4447, 1931
MAC.14	Brazo lava/aclara completo Wash and rinse arm	GL250, MB240LI, MGL40, MB630, MB920E, MB920ER, MB930, MB930K	4449, 1483
MAC.15	Brazo aclarado Rinse arm	MB235LI, MB240LI	4275



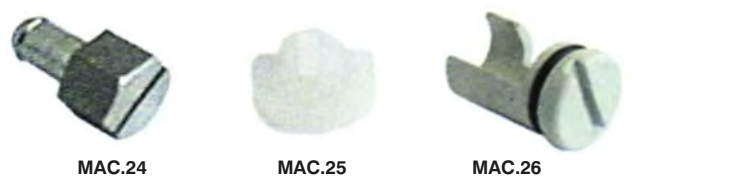
Código Code	Descripción Description	Modelo Model	Código original Original code
MAC.16	Brazo lava/aclara completo Wash and rinse arm	MS350	4451, 1077
MAC.17	Brazo lava/aclara completo Wash and rinse arm	MS450, MS450E, MS700, MS900, MS1100, MS1300	4453, 1249



Código Code	Descripción Description	Modelo Model	Código original Original code
MAC.18	Cruceta Wash arm cross	MLP60, MLP60E, MLP70, MLP80, MLP140	4001
MAC.19	Brazo lavado 240mm Wash arm, 240mm	MLP60, MLP60E, MLP140, MLP70, MLP140, MLP80	3855
MAC.20	Brazo lavado 270mm Wash arm, 270mm		4003
MAC.21	Brazo lavado 300mm Wash arm, 300mm		3825
MAC.22	Brazo aclarado Rinse arm		3857
MAC.23	Brazo aclarado Rinse arm		4005



Código Code	Descripción Description	Modelo Model	Código original Original code
MAC.27	Rociador aclarado Rinse nozzle	Tipo Alle +1-05-2000 Alle typen +1-05-2000	1093
MAC.28	Junta Gasket		2387
MAC.29	Tornillo agujereado + junta Eye bolt, O-ring		1089, 1091
MAC.30	Tuerca Bush		2171
MAC.31	Junta O-ring		2429
MAC.32	Tapón End cap		2173



Código Code	Descripción Description	Modelo Model	Código original Original code
MAC.24	Rociador aclarado Rinse nozzle	Tipo Alle +1-05-2000 Alle typen +1-05-2000	4327
MAC.25	Clip aclarado Rinse nozzle clip		4325
MAC.26	Tapón End cap		4323



Código Code	Descripción Description	Modelo Model	Código original Original code
MAC.33	Brida Support plate	GL220, GL250, MB_, MS_, MGL_	1933
MAC.34	Tornillo Ring screw		1053
MAC.35	Arandela Disk		2003
MAC.36	Racor lavado Wash arm bearing		2001



Código Code	Descripción Description	Modelo Model	Código original Original code
MAC.37	Tornillo Blocking screw	MLP60, MLP60E, MLP70, MLP80, MLP140	4081
MAC.38	Adaptador brazo aclarado Bush-rinse arm		4079
MAC.39	Tornillo Nut (bearing)		4077
MAC.40	Adaptador Bush		4073
MAC.41	Soporte brazo lavado Wash arm bearing		4075



Código Code	Descripción Description	Modelo Model	Código original Original code
MAC.42	Soporte brazo lavado Wash arm shaft	MGL40	4249
MAC.47	Soporte inferior brazo lavado Wash arm holder / lower		2945
MAC.45	Junta Gasket		1485



Código Code	Descripción Description	Modelo Model	Código original Original code
MAC.42	Soporte brazo lavado Wash arm shaft	GL220, GL250, MB235LI, MB240LI, MB510E, MB510ER, MB530, MB530K, MB535, MB920E, MB920ER, MB930, MB930K	4249
MAC.43	Extension brazo lavado Wash arm extension		2435
MAC.44	Soporte inferior brazo lavado Wash arm holder / lower		1959, 2417
MAC.45	Junta Gasket		1485



Código Code	Descripción Description	Modelo Model	Código original Original code
MAC.49	Soporte superior brazo lavado Wash arm holder / upper	GL250, MB510E, MB510ER, MB630, MB520E, MB920ER, MB930, MB930K, MGL40	2501, 2241
MAC.50	Tornillo soporte brazo aclarado Wash arm shaft		1075
MAC.51	Junta O-ring		2243



Código Code	Descripción Description	Modelo Model	Código original Original code
MAC.52	Tuerca Nut	—	1165
MAC.53	Junta Gasket	MB235LI	1167
MAC.54	Soporte superior brazo aclara Rinse arm holder / upper	MB240LI	4273
MAC.50	Tornillo soporte brazo aclara Rinse screw	—	1075
MAC.36	Racor lavado Rinse arm bearing	—	2001



Código Code	Descripción Description	Modelo Model	Código original Original code
MAC.58	Soporte brazo lavado/supInf. Wash arm holder / upper, lower	MS900 / MS1100	1761
MAC.59	Soporte brazo lavado/supInf. Wash arm holder / upper, lower	MS1300	1395



Código Code	Descripción Description	Modelo Model	Código original Original code
MAC.55	Soporte brazo lavado/supInf. Wash arm holder / upper, lower	MS350	2333
MAC.56	Soporte brazo lavado/supInf. Wash arm holder / upper, lower	MS450, MS450E	1247
MAC.57	Soporte brazo lavado/supInf. Wash arm holder / upper, lower	MS700, MS700E	1687



Código Code	Descripción Description	Modelo Model	Código original Original code
MAC.60	Racor Hose coupling	MS350	2335
MAC.61	Divisor Divider		2337
MAC.62	Junta Gasket		2557
MAC.63	Distribuidor Distributor cap		2331
MAC.50	Tornillo soporte brazo aclara Wash arm shaft / upper		1075
MAC.64	Tornillo soporte brazo aclarado Wash arm shaft / lower		2549

Varios
Various



MAC.50 MAC265 MAC.11 MAC.3

Código Code	Descripción Description	Modelo Model	Código original Original code
MAC.50	Tornillo soporte brazo aclarado Wash arm shaft	MS450, MS450E, MS700, MS700E, MS900, MS1100, MS1300	1075
MAC265	Bicono Double cone		1071
MAC.11	Tuerca unión Union nut		1069
MAC.3	Junta Gasket		1159



MAC.65 MAC.3 MAC.66 MAC.67 MAC.68

Código Code	Descripción Description	Modelo Model	Código original Original code
MAC.65	Soporte inferior brazo lavado Wash arm holder / lower	MLP60, MLP60E, MLP70, MLP80, MLP140	3821
MAC.3	Junta Gasket		1159
MAC.66	Eje brazo lavado Wash arm shaft		4071
MAC.67	Disco agujereado Perforated disk		4069
MAC.68	Soporte brazo lavado superior Wash arm holder / upper		3819



MAC.69 MAC.70 MAC.71 MAC265 MAC.72 MAC.73

Código Code	Descripción Description	Modelo Model	Código original Original code
MAC.69	Conexión Y Y-piece, 3-fold	MLP60, MLP60E	4329
MAC.70	Conexión X Spider body, 4-fold		4321
MAC.71	Racor T 12mm T-fitting, inox, 12mm, without double cone		2021
MAC265	Bicono 12mm Double cone, 12mm		1071
MAC.72	Racor conector 3/8" Hose connector, 3/8"		3887
MAC.73	Racor conector 3/8" Hose connector, 3/8"		3815



MAC.74 MAC.75 MAC.76 MAC.77

Código Code	Descripción Description	Modelo Model	Código original Original code
MAC.74	Brida Pipe clamp		2457, 2909
MAC.75	Conector electroválvula Solenoid valve connection	MG240	2935
MAC.76	Conector electroválvula 1 1/4" T-solenoid valve connection, 1 1/4"		2937
MAC.77	Tuerca 1 1/4" Union nut, 1 1/4"		2939

Varios ■ Various



MAC.78 MAC.79 MAC.80 MAC.81

Código Code	Descripción Description	Modelo Model	Código original Original code
MAC.78	Racor 3 salidas Divider, 3-way	MLP70 / MLP80	4009
MAC.79	Racor 5 salidas Divider, 6-way	MLP_	4147
MAC.80	Grapa Pressure switch support	GL220, MB535	2463
MAC.81	Válvula anti-retorno Back flow restrictor	—	3003



LZ.111 MAC.86 LAV900

Código Code	Descripción Description	Modelo Model	Código original Original code
LZ.111	Depósito sal Salt container	—	1545
MAC.86	Depósito contenedor Rinse central container	—	1117
LAV900	Depurador Softener	—	1555



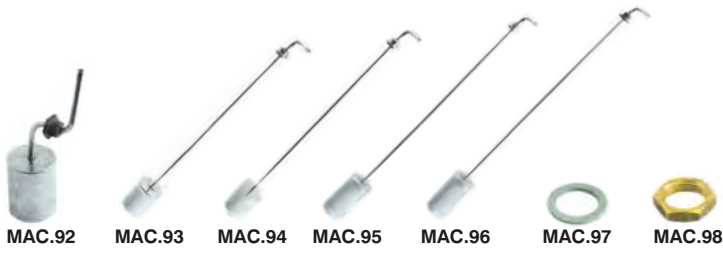
MAC.82 MAC.83 MAC.84 MAC.85

Código Code	Descripción Description	Modelo Model	Código original Original code
MAC.82	Grifo Ball tap	MLP60, MLP60E, MLP70, MLP80, MLP140	3943
MAC.83	Eje Threaded rod		4087
MAC.84	Extensión Extension		4007
MAC.85	Maneta Lever		4131

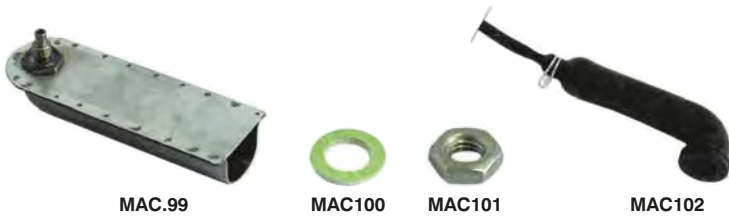


MAC.88 MAC.89 MAC.90 MAC263

Código Code	Descripción Description	Modelo Model	Código original Original code
MAC.88	Conjunto racor Tank intake	—	2819
MAC.89	Racor conector Hose connector boiler	—	2195
MAC.90	Tuerca calderin (cms) m20x15 End cap boiler (CMS) M20x15	—	2023
MAC263	Junta 20mm Gasket 20mm	—	2189



Código Code	Descripción Description	Modelo Model	Código original Original code
MAC.92	Cámara presostática Air trap	MS700E	2917, 1885
MAC.93	Cámara presostática Air trap	MB235LI / MB240LI, MB510E / MB510ER	2507
MAC.94	Cámara presostática Air trap	MB920E / MB920ER	2415
MAC.95	Cámara presostática Air trap	MS450, MS450E, MS700	1273
MAC.96	Cámara presostática Air trap	MS350	4247
MAC.97	Junta Gasket		1167
MAC.98	Tuerca 3/8" Nut, 3/8"		1165



Código Code	Descripción Description	Modelo Model	Código original Original code
MAC.99	Cámara presostática Air trap	GL220, MB520, MB520K, MB530, MB530K, MB535, MB900, MS1100, MS1300, MLP..	4343
MAC100	Junta M10 Gasket, M10		4347
MAC101	Tuerca M10 Nut, M10		4345
MAC102	Cámara presostática Air trap	GL250, MN630, MB930, MB930K	2239

Filtros Filters



Código Code	Descripción Description	Modelo Model	Código original Original code
MAC103	Filtro Filter	GL220, MB520, MB520K, MB530, MB530K, MB535	1515
MAC104	Soporte filtro 90mm Filter holder, 90mm		1961
MAC105	Filtro Filter	MB235LI, MB240LI, MB510E, MB510ER, MB920E, MB920ER	2925
MAC106	Soporte filtro 44mm Filter holder, 44mm		2923



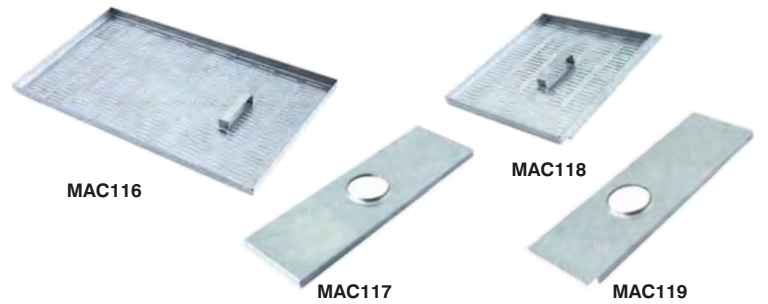
Código Code	Descripción Description	Modelo Model	Código original Original code
MAC107	Filtro Filter	GL250, MB630, MB930, M930K	2217
MAC108	Guía filtro Filter guidance		2219
MAC109	Filtro exterior Filter / outer	MGL40	2925
MAC110	Filtro interior Filter / inner		2923



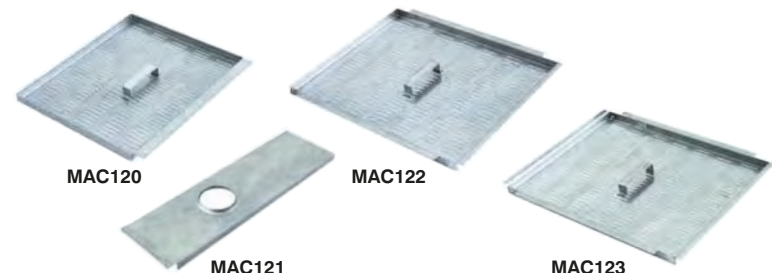
Código Code	Descripción Description	Modelo Model	Código original Original code
MAC111	Filtro bomba Filter / drain pump	MB_	2833
MAC112	Filtro Filter	MS350, MS450, MS450E, MS700, MS700E, MS900, MS1100, MS1300	1051
MAC113	Soporte filtro Filter holder		1435



Código Code	Descripción Description	Modelo Model	Código original Original code
MAC114	Filtro Filter	MLP60, MLP60E, MLP70, MLP80, MLP140	3981
MAC115	Soporte filtro Filter holder		4022, 4027



Código Code	Descripción Description	Modelo Model	Código original Original code
MAC116	Filtro Flat filter	MS700, MS700E	2405
MAC117	Chapa filtro Centre web		2403
MAC118	Filtro Flat filter	MS900, MS1100	4411
MAC119	Chapa filtro Centre web		1847



Código Code	Descripción Description	Modelo Model	Código original Original code
MAC120	Filtro Flat filter	MS1300	4419
MAC121	Chapa filtro Centre web		1817
MAC122	Filtro frontal Flat filter / in the front	MLP60, MLP60E	3851
MAC123	Filtro trasero Flat filter / at the back		3853

¿Tiene alguna duda?
LLÁMENOS



Tel: 93 377 64 11
Fax: 93 377 98 03
ascaso@ascaso.com



Código Code	Descripción Description	Modelo Model	Código original Original code
MAC124	Filtro frontal Flat filter / in the front	MLP70, MLP80	3997
MAC125	Filtro trasero Flat filter / at the back		3999
MAC126	Filtro frontal Flat filter / in the front	MLP140	4161
MAC127	Filtro trasero Flat filter / at the back		4163

Rebosaderos / Overflow pipes



Código Code	Descripción Description	Modelo Model	Código original Original code
MAC128	Rebosadero Overflow pipe	GL220, MB520, MB520K, MB530, MB530K, MB535, MB235LI, MB240LI, MB510E, MB510ER, MN920E, MB920ER	1913, 1517
MAC129	Rebosadero Overflow pipe	GL250, MB630, MB930, M930K, MS700, MS700E, MS900, MS1100, MS1300	1667, 2221, 1731



Código Code	Descripción Description	Modelo Model	Código original Original code
MAC130	Sobrenivel Overflow pipe	MS450, MS450E	1233
MAC131	Sobrenivel Overflow pipe	MLP60, MLP60E	4287

Tubos desagüe / Drain pipes



Código Code	Descripción Description	Modelo Model	Código original Original code
V.206	Tubo desagüe 24/28 Outflow hose 24/28	GL220, MB235LI, MB510E, MB510ER, MB520, MB520K, MB530, MB530K, MB535	2513
V.201	Tubo desagüe 28/28 Outflow hose 28/28	GL250, MB240LI, MB630, MB920E, MB920ER, MB930, MB930K, MGL40, MS350, MS450, MS450E, MS700, MS700E, MS900, MS1100, MS1300	1777

Tubos presión/extracción
Pressure and extraction hoses



Código Code	Descripción Description	Modelo Model	Código original Original code
MAC132	Tubo presión 30x10mm Pressure hose 30x10mm	GL220, GL250, MB520, MB520K, MB530, MB530K, MB535, MB630	1963
MAC133	Tubo presión 30x45mm Pressure hose, 30x45mm	MB235LI, MB210LI, MB510E, MB510ER	1487
MAC134	Tubo presión 40x46mm Pressure hose, 40x46mm	MS350	1085
MAC135	Tubo presión 45x40mm Pressure hose, 45x40mm	MS450, MS450E, M700, MS700E	1255
MAC136	Tubo presión 45x60mm Pressure hose, 45x60mm	MS700, MS700E, MS900, MS1100, MS1300	1401
MAC137	Tubo presión 50x125mm Pressure hose, 50x125mm	MLP60, MLP60E, MLP70, MLP80, MLP140	4097



Código Code	Descripción Description	Modelo Model	Código original Original code
MAC138	Tubo extracción 30mm Extraction hose, 30mm	GL250, MB235LI, MB240LI, MB510E, MB510ER, MB630, MB920E, MB920ER, MB930, MB930K	1937
MAC139	Tubo extracción 45mm Extraction hose, 45mm	MS350, MS450, MS450E, MS900, MS1100, MS1300, MLP60, MLP60E, MLP70, MLP80, MLP140	1081
MAC140	Tubo extracción 60mm Extraction hose, 60mm		1405
MAC142	Tubo extracción inox 60mm Extraction, inox, 60mm	MLP70, MLP140, MLP80	4089



Código Code	Descripción Description	Modelo Model	Código original Original code
MAC143	Tubo aclarado 40x155mm Hose / rising pipe, 40x155	MLP_	4099
MAC144	Tubo Hose over flow		4017



Código Code	Descripción Description	Modelo Model	Código original Original code
MAC145	Bisagra izquierda Hinge / left	GL220, GL250, MB235LI, MB240LI, MB 510E, MB510ER, MB520, MB520K, MB530, MB530K, MB535, MB630, MB920E, MB920ER, MB930, MB930K, MGL40, MS350, MS450, MS450E	1011
MAC146	Muelle Leg spring		1015
MAC147	Compresor muelle Spring compressor		1019
MAC148	Perno Cotter		1017



Código Code	Descripción Description	Modelo Model	Código original Original code
MAC151	Bisagra derecha Hinge / right	MS350	1013
MAC152	Bisagra derecha Hinge / right	MS450, MS450E, MS700, MS700E	1679



Código Code	Descripción Description	Modelo Model	Código original Original code
MAC146	Muelle Leg spring	MLP60, MLP60E, MLP70, MLP80, MLP140	1015
MAC147	Compresor muelle Spring compressor		1019
MAC148	Perno Cotter		1017
MAC153	Extensión Extension	MLP140	4183
MAC154	Bisagra izquierda Hinge / left	MLP60 / MLP60E	3859
MAC155	Bisagra derecha Hinge / right		3861



Código Code	Descripción Description	Modelo Model	Código original Original code
MAC149	Bisagra derecha Hinge / Right	GL220, MB235LI, MB510E, MB510ER, MB520, MB520K, MB530, MB535	1895, 2499
MAC150	Bisagra derecha Hinge / Right	MB630, MB930, MB240LI, MB920E, MB920ER	2233, 1475

Componentes puerta / Capota ■ Door components / Hood components 1362



Código Code	Descripción Description	Modelo Model	Código original Original code
MAC156	Bisagra izquierda Hinge / left	MLP70	4011
MAC157	Bisagra izquierda Hinge / left	MLP80	3911
MAC158	Bisagra izquierda Hinge / left	MLP140	4165
MAC152	Bisagra derecha Hinge / right	MLP70, MLP80, MLP140	1679



Código Code	Descripción Description	Modelo Model	Código original Original code
MAC159	Unión palanca Lever joint	MS900, MS1100, MS1300	1707
MAC160	Tuerca palanca Lever nut		1709
MAC161	Tornillo palanca Lever screw		1711
MAC162	Casquillo Bush		1369
MAC163	Grapa Clip		1371
MAC164	Soporte muelle Spring holder		1357
MAC165	Muelle Spring		1359
MAC166	Tensor muelle Spring tension		1383

Componentes capota
Hood components

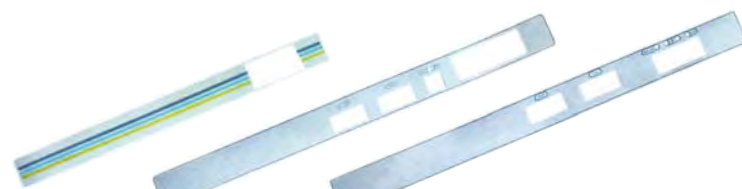
MAC167

Código Code	Descripción Description	Modelo Model	Código original Original code
MAC167	Maneta Handle	MPL____	3987

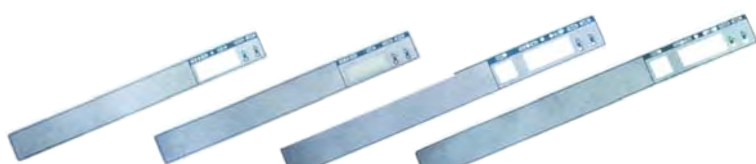
Frontales / Frontfoils



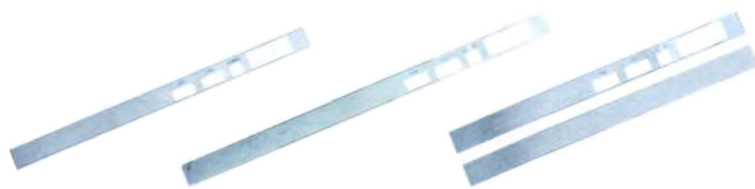
Código Code	Descripción Description	Modelo Model	Código original Original code
MAC168	Carátula Frontfoil	MB510, MB510ER, MB520, MB530, GL220	2511
MAC169	Carátula Frontfoil	MLP525, MB535	2543
MAC170	Carátula Frontfoil	MLP235LI	4263
MAC171	Carátula Frontfoil	MLP240LI	4283



Código Code	Descripción Description	Modelo Model	Código original Original code
MAC176	Carátula Frontfoil	MS450, MS700E, MS450E, MS700	2805
MAC177	Carátula Frontfoil	MLP60	3863
MAC178	Carátula Frontfoil	MLP60E	4289



Código Code	Descripción Description	Modelo Model	Código original Original code
MAC172	Carátula Frontfoil	MB630, MB920E, MB920ER, MB930	2431
MAC173	Carátula Frontfoil	MGL40	2921
MAC174	Carátula Frontfoil	MS350	2547
MAC175	Carátula Frontfoil	MS450, MS700, MS450E, MS700E	2803



Código Code	Descripción Description	Modelo Model	Código original Original code
MAC179	Carátula Frontfoil	MLP70	4013
MAC180	Carátula Frontfoil	MLP80	3829
MAC181	Carátula Frontfoil	MLP140	3827



Código Code	Descripción Description	Modelo Model	Código original Original code
MAC182	Interruptor magnético Magnetic switch		2117
MAC183	Interruptor verde Switch 2-pole closer	MB235LI, MB240LI, MB535, MLP60, MLP70, MLP80, MLP140	1955
MAC184	Pulsador amarillo Pushbutton 1-pole	MB235LI, MB240LI, MB535, MS350, MS450E, MS700E, MS900, MS1100, MS1300	1547
MAC185	Interruptor blanco Switch 2-pole changer	MB535	4349
MAC186	Interruptor blanco Switch 3-pole	MB520K, MB530K, MB930K	1999



Código Code	Descripción Description	Modelo Model	Código original Original code
MAC187	Combi. interruptores Switch combination	MB510E, MB510ER, MB520, MB530, MB630, MB420E, MB920ER, MB930, MB930K, MGL40	2973, 4381
MAC188	Combi. interruptores Switch combination	MS350, MS450E, MS700E, MS900, MS1100, MS1300	1995
MAC189	Combi. interruptores Switch combination	MS350, MLP60	1513

Pilotos / Signal lamps



Código Code	Descripción Description	Modelo Model	Código original Original code
MAC190	Piloto verde Signal lamp green	—	4313
MAC191	Piloto amarillo Signal lamp yellow	—	4315

Electroválvulas / Solenoid valves



Código Code	Descripción Description	Modelo Model	Código original Original code
V132	Electroválvula 1 vía 1-fold 230V	MB235LI / MB240LI	4267
V133	Electroválvula 2 vías 2-fold 230V	GL_ / MB_ / MGL_ / MS_ / MLP_	1537
V134	Electroválvula 3 vías 3-fold 230V	MB_K	1195

In case of doubt, please CONTACT US



Tel: 93 377 64 11
Fax: 93 377 98 03
ascaso@ascaso.com



MAC192

Código Code	Descripción Description	Modelo Model	Código original Original code
MAC192	Electroválvula Solenoid valve - outflow	MGL40	2941

Temporizadores Timers



MAC193



MAC194



MAC195

Código Code	Descripción Description	Modelo Model	Código original Original code
MAC193	Programador Program	MB_	4265
MAC194	Programador Program	GL220 / GL250	1967
MAC195	Progr. regeneración 20min. Regeneration 20min.	MB520K, MB530K	1553



MAC196



MAC197



MAC198

Código Code	Descripción Description	Modelo Model	Código original Original code
MAC196	Programador 120/180" Program 120sec. / 180sec.	MS350, MS450, MS450E	1969
MAC197	Programador 240" Program 240sec.	MS350	2359
MAC198	Programador 90/180" Program 90sec. / 180sec.	MS700, MS700E	1971



MAC199



MAC200



MAC201

Código Code	Descripción Description	Modelo Model	Código original Original code
MAC199	Programador 75/120 " Program 75sec. / 120sec.	MS900	1973
MAC200	Programador 60/180" Program 60sec. / 180sec.	MS1100, MS1300	1975
MAC201	Programador 180/360" Program 180sec. / 360sec.	MLP60E	1855



MAC202, MAC203, MAC204, MAC205

Código Code	Descripción Description	Modelo Model	Código original Original code
MAC202	Presostato 35/17 Pressure switch 35/17	GL220, MB235LI, MB240LI, MB510E, MB520, MB520K, MB350, MB530K, MB535, MB920E, MB920ER, MLP60, MLP60E, MLP70, MLP80, MLP140	2289, 2273
MAC203	Presostato 55/25 Pressure switch 55/25	GL250, MB630, MB930, MB930K, MS350, MS450, MS450E	2277, 2279, 2281
MAC204	Presostato 123/75 Pressure switch 123/75	MS700, MS700E, MS900, MS1100, MS1300	2283, 2285, 2287
MAC205	Presostato 205/17 Pressure switch 205/17	MLP60, MLP60E, MLP70, MLP80, MLP140	4427

Filtros anti-parásitos Anti-interference capacitors



MAC206



MAC207

Código Code	Descripción Description	Modelo Model	Código original Original code
MAC206	0,47µF+2x0,01µF+0,68MΩ 0,47µF+2x0,01µF+0,68MΩ	GL_, MB_, MGL40, MS_	2441
MAC207	0,27µF+2x0,027µF+1MΩ 0,27µF+2x0,027µF+1MΩ	MLP	3933

Relés / Contactores Relays and contactors



MAC208



MAC209



MAC210, MAC211

Código Code	Descripción Description	Modelo Model	Código original Original code
MAC208	Relé 20A Relay 20A, 1 changer	MLP60, MLP60E, MLP70, MLP80, MLP140	4105
MAC209	Relé 30A Relay 30A, 1 closer	MB235LI, MB240LI, MS350, MS450, MS450E, MS700, MS700E, MLP60, MLP60E, MLP70, MLP80, MLP140	4251
MAC210	Contactador 20A Contactor 20A, 4 closer	MB510E, MB510ER, MB520, MB520K, MB535, MB530, MB530K, MB630, MB920E, MB920ER, MB930, MB930K, MS_	1857
MAC211	Contactador 20A Contactor 20A, 3 closer / 1 opener	GL220, GL250, MGL40, MS450, MS450E, MS700, MS700E, MS900, MS1100, MS1300, MLP_	1173

Termostatos Thermostats



MAC212



MAC213



MAC214

Código Code	Descripción Description	Modelo Model	Código original Original code
MAC212	Termostato 30° - 90°C Thermostat 30° - 90°C	MB_, MS	4311
MAC213	Termostato seguridad 110°C Safety thermostat 110°C	MB_, MGL40, MS	4309
MAC214	Termostato stock 55°C Stock thermostat 55°C	MB235LI, MB240LI	4277



MAC215

MAC216

MAC217

Código Code	Descripción Description	Modelo Model	Código original Original code
MAC215	Termostato 0 - 90°C Thermostat 0 - 90°C	GL220, GL250, MLP__	1177
MAC216	Mando Knob		1175
MAC217	Termostato seguridad Safety thermostat		1887

Placa electrónica / Electronic board



MAC218

MAC219

MAC220

MAC221

Código Code	Descripción Description	Modelo Model	Código original Original code
MAC218	Placa electrónica Electrical	MGL40	2967
MAC219	Sensor nivel Level sensor	MGL40	2975
MAC220	Sensor NTC 7x25mm NTC-sensor 7x25mm	MGL40	2963
MAC221	Racor soporte Plunger socket	MGL40	2979

Termómetros
Thermometers

MAC222

MAC223

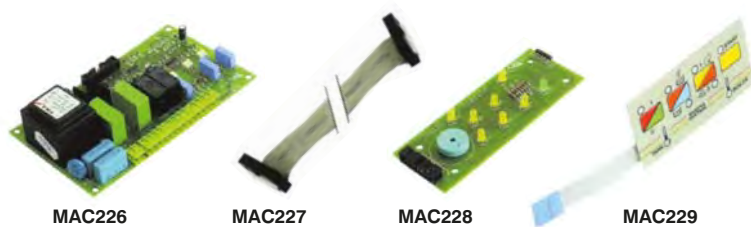
Código Code	Descripción Description	Modelo Model	Código original Original code
MAC222	Termómetro PTC Thermometer PTC	MGL40, MLP60, MLP70, MLP80, MLP140	2961
MAC223	Sensor PTC 6x30 PTC-sensor 6x30		2959



MAC224

MAC225

Código Code	Descripción Description	Modelo Model	Código original Original code
MAC224	Termómetro NTC Thermometer NTC	MGL40, MLP60, MLP70, MLP80, MLP140	512063000
MAC225	Termómetro NTC 6x30 NTC-sensor 6x30		512063100



MAC226

MAC227

MAC228

MAC229

Código Code	Descripción Description	Modelo Model	Código original Original code
MAC226	Placa electrónica Control board	MS450, MS700, MS900, MS1100	1793
MAC227	Cable Cable		1797
MAC228	Display Display electronic board		1795
MAC229	Carátula Front foil	MS1300	1799



MAC232

MAC233

MAC234

Código Code	Descripción Description	Modelo Model	Código original Original code
MAC232	Termómetro Thermometer	MS900, MS1100, MS1300, MLP60E	1409
MAC233	Regleta Connector block	GL__ / MB__ / MG140, MS350, MS450, MS450E, MS700, MS700E, MS1100	1181 2847
MAC234	Regleta Connector block	MLP__	3931



MAC230

MAC231

Código Code	Descripción Description	Modelo Model	Código original Original code
MAC230	Centralita control Time control	MLP60, MLP70, MLP80, MLP140	3939
MAC231	Botonera Keyboard		3941



MAC235

MAC236, MAC237

Código Code	Descripción Description	Modelo Model	Código original Original code
MAC235	Porafusible Safeguard clamp	MGL40	2981
MAC236	Fusible 1A Fine fuse 1A	MGL40	2983
MAC237	Fusible 6A Fine fuse 6A	MGL40	2985



FA.265

MAC238

MAC239

Código Code	Descripción Description	Modelo Model	Código original Original code
FA.265	Dosificador abrillantador Rinse liquid (dosing pump)	—	1839
MAC238	Dosificador abrillantador Rinse liquid (dosing pump)	GL220, GL250, MGL40, MS_	1965
MAC239	Dosificador abrillantador Rinse liquid (dosing pump)	MB_	4285



MAC240

LAV120

MAC241

Código Code	Descripción Description	Modelo Model	Código original Original code
MAC240	Dosificador abrillantador Rinse liquid (dosing pump)	MLP60E	4233
LAV120	Dosificador abrillantador Rinse liquid	MLP55/80	2787
MAC241	Dosificador abrillantador Cleaner (dosing pump)	—	4219



V.75

V.59

Código Code	Descripción Description	Modelo Model	Código original Original code
V.75	Dosificador peristáltico regulable Cleaner, dosing pump with control	MG240, MLP60, MLP70, MLP80	2955, 4021
V.59	Dosificador peristáltico Cleaner, dosing pump with control	MLP160	4167



MAC.88

MAC.89

Código Code	Descripción Description	Modelo Model	Código original Original code
MAC.88	Conjunto racor Tank intake inox	—	2819
MAC.89	Racor conector Boiler connection	—	2195

Resistencias / Calderines ■ Heating elements / Boilers 1370



MAC244

MAC245

MAC246

MAC247

Código Code	Descripción Description	Modelo Model	Código original Original code
MAC244	2600W / 230V 2600W / 230V	GL_ / MB_	1951
MAC245	3000W / 230V 3000W / 230V	GL_ / MB_ , MS350, MS450, MS450E, MS700E, MGL40	1953
MAC246	2600W / 230V - 400V 2600W / 230V - 400V	MS450, MS700, MS900, MS1100	1977
MAC247	Junta Gasket	MGL40	



MAC250

MAC251

MAC252

MAC247

Código Code	Descripción Description	Modelo Model	Código original Original code
MAC250	4500W / 230V - 400V 2600W / 230V - 400V	MS450, MS450E, MS700, MS900, MS1100, MS1300	1979
MAC251	6000W / 230V - 400V 6000W / 230V - 400V	MS450, MS450E, MS700, MS700E, MS900, MS1100, MS1300, MLP60, MLP60E, MLP140	1981
MAC252	9000W / 230V - 400V 9000W / 230V - 400V	MS700, MS900, MS1100, MS1300, MLP70, MLP80, MLP40	1983
MAC247	Junta Gasket	—	—



MAC248

MAC249

Código Code	Descripción Description	Modelo Model	Código original Original code
MAC248	2700W / 230V 2700W / 230V	MB235LI, MB240LI	4269
MAC249	2600W / 230V 2600W / 230V	MGL40	2957

Calderines Boilers



MAC254

MAC255

MAC256

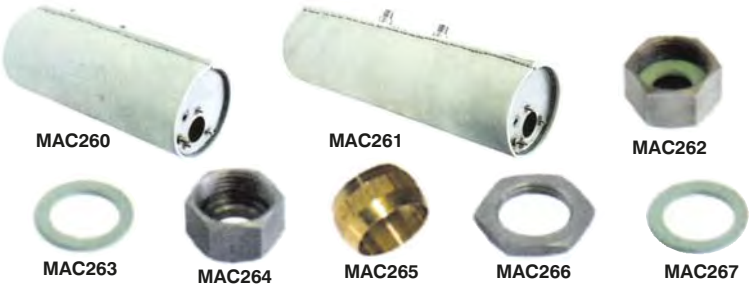
Código Code	Descripción Description	Modelo Model	Código original Original code
MAC254	Calderín (max. 3kW) Boiler (max. 3kW)	GL220, MB520, MB520K, MB530, MB530K, MB535	1935
MAC255	Calderín (max. 3kW) Boiler (max. 3kW)	GL250, MB630, MB930, MB930K	2235
MAC256	Calderín (max. 3kW) Boiler (max. 3kW)	MB235LI, MB510E, MB510ER	2505



Código Code	Descripción Description	Modelo Model	Código original Original code
MAC257	Calderín (max. 3kW) Boiler (max. 3kW)	MB240LI, MB920E, MB920ER	2419
MAC258	Calderín (max. 3kW) Boiler (max. 3kW)	MGL40	2953
MAC259	Calderín (max. 3kW) Boiler (max. 3kW)	MS350	2329



Código Code	Descripción Description	Modelo Model	Código original Original code
MAC268	Calderín (max. 9kW) Boiler (max. 9kW)	MS1300	1385
MAC269	Calderín (max. 6kW) Boiler (max. 6kW)	MLP60, MLP60E	3837



Código Code	Descripción Description	Modelo Model	Código original Original code
MAC260	Calderín (max. 6kW) Boiler (max. 6kW)	MS450, MS450E, MS700, MS700E	1101
MAC261	Calderín (max. 9kW) Boiler (max. 9kW)	MS900, MS1100	2259
MAC262	Tuerca calderín M20x1,5 End cap, M20x1,5	---	2023
MAC263	Junta Gasket	---	2189
MAC264	Tuerca calderín 12mm Union nut, 12mm	---	1069
MAC265	Bicono 12mm Double cone, 12mm	---	1071
MAC266	Tuerca M20x1,5 Nut, M20x1,5	---	1647
MAC267	Junta Gasket	---	2189



Código Code	Descripción Description	Modelo Model	Código original Original code
MAC270	Calderín (max. 9kW) Boiler (max. 9kW)	MLP70, MLP80	3897
MAC271	Calderín (max. 2x6kW) Boiler (max. 2x6kW)	MLP140	4257



Código Code	Descripción Description	Modelo Model	Código original Original code
MAC272	Bomba desagüe Drain pump	MB_PS	2817
MAC273	Motor bomba Pressure pump	MLP60, MLP60E	4459
MAC274	Motor bomba Pressure pump	MLP70, MLP80, MLP140	4015



Código Code	Tipo bomba Pump type	Potencia / voltaje Power / voltage	Modelo Model	Código original Original code
MAC278	ZF320V	0,65 kW / 230V	MS350	2309
MAC279	FIR3311	0,75 PS / 230V	MS350	1201
MAC280	FIR1293	0,75PS / 230V	MS450, MS450E	1297, 2119



Código Code	Tipo bomba Pump type	Potencia / voltaje Power / voltage	Modelo Model	Código original Original code
MAC275	ZF115SX	0,16 kW / 230V	MB235LI, MB240LI	4317
MAC276	FIR0287	0,33 PS / 230V	GL220, MB510E, MB510ER, MB520, MB520K, MB530, MB530K, MB535, MB920E, MB920ER	1511
MAC277	ZF160	0,37kW	MB630, MB930, MB930K, MGL40, GL250	2261, 2865



Código Code	Tipo bomba Pump type	Potencia / voltaje Power / voltage	Modelo Model	Código original Original code
MAC281	FIR1295	1,2 PS / 400V	MS700E, MS900	1685, 2139
MAC282	FIR1295	1,2 PS / 230V	MS900	4225
MAC283	FIR1225	1,5 PS / 230V	MS1100	4223
MAC284	FIR1225	1,5 PS / 400V	MS1100	2409
MAC285	FIR1241	1,5 PS / 230V	MS1300	4221
MAC286	FIR1241	1,5 PS / 400V	MS1300	1423

Ver componentes motores en página siguiente.
Motor components in the next page



MAC287

MAC288

Código Code	Tipo bomba Pump type	Potencia / voltaje Power / voltage	Modelo Model	Código original Original code
MAC287	FIR1227	2,7 PS / 400V	MLP60, MLP60E	4255
MAC288	FIR1243	3,2 PS / 400V	MLP70, MLP80, MLP140	4023

Componentes motor
Motor components



1

2

3

4

5

Bombas Pumps		1 Turbina Impellor		2 Retén Axial face seal		3 Junta Pump cover		4 Tapa Pump cover		5 Condensadores Condenser	
Código Code	Código original Original code	Código Code	Código original Original code	Código Code	Código original Original code	Código Code	Código original Original code	Código Code	Código original Original code	Código Code	Código original Original code
MAC276	1511	MAC289	2159	MAC300	1523	MAC305	2157	MAC311	1529	LASA24	
MAC277	2261	MAC290	2265	MAC301	1523	MAC305	305	MAC312	1529	WIN207	
MAC279	1201	MAC291	1287	WIN193	1285	MAC307	1289	MAC313	1291	WIN207	
MAC278	2309	MAC292	2315	MAC303	2321	MAC308	2313	MAC314	2311	WIN207	
MAC280	1297	MAC293	1307	WIN192	1305	MAC309	1309	MAC315	1311	WIN207	
MAC281	1685	MAC294	1697	WIN192	1305	MAC309	1309	MAC315	1311	WIN207	
MAC282	4225	MAC294	1697	WIN192	1305	MAC309	1309	MAC315	1311	WIN207	
MAC283	2409	MAC295	2859	WIN192	1305	MAC309	1309	MAC316	2855	MAC322	
MAC284	4223	MAC295	2859	WIN192	1305	MAC309	1309	MAC317	2855		
MAC286	1423	MAC296	1441	WIN192	1305	MAC309	1309	MAC318	1437		
MAC285	4221	MAC297	1441	WIN192	1305	MAC309	1309	MAC318	1437	MAC322	
MAC287	4255	MAC298	4669	WIN192	4671	MAC309	4667	MAC316	4665		
MAC288	4023	MAC296	4113	WIN192	4115	MAC309	4111	MAC318	4109		
MAC275	4317	MAC299		WIN192		MAC310		MAC319		LAM218	

Índice MARENO index

Interruptores / Pilotos / Programadores / Presostatos	Switches / Lamps / Timers / Pressure switches	1375
Presostatos / Termostatos / Microinterruptores	Pressure switches / Thermostats / Micro switches	1376
Eletroválvula / Relé / Dosificador abrillantador / Resistencias	Solenoid / Relay / Rinse aid dosimeter / Heating elements	1377
Resistencias / Bombas	Heating elements / Pumps	1378



LMA.1

LASA.2

Código Code	Descripción Description	Modelo Model	Código original Original code
LMA.1	Interruptor programador Program switch	MLS30, MLS35	10.373.031.00
LASA.2	Interruptor programador Program switch	MLS31	10.373.032.00

Programadores Timers



LASA.7

LASA.8

LASA.9

Código Code	Descripción Description	Modelo Model	Código original Original code
LASA.7	Programador 5 micros 180" 180", 5 chambers timer	MLS30, MLS31, MLS35	10.373.030.00
LASA.8	Programador 8 micros 50/80/120" 50/80/120", 8 chambers timer	MLC50	10.373.075.00
LASA.9	Programador 8 micros 50/80/120" 50/80/120", 8 chambers timer	MLC65	—



LASA.3

LASA.4

LO.355

CZA263

Código Code	Descripción Description	Modelo Model	Código original Original code
LASA.3	Interruptor principal Main switch	MLC50, MLC65	10.373.079.00
LASA.4	Interruptor programa Program switch		10.373.080.00
LO.355	Carcasa piloto verde 1,2mm Socket, 1,2mm green		10.373.035.00
CZA263	Piloto 230V Signal element, 230V		10.373.034.00

Presostatos 1 nivel Pressure switches, 1 level



LASA.11

LMA.11

Código Code	Descripción Description	Modelo Model	Código original Original code
LASA.11	Presostato 45/20 45 / 20 pressure switch	MLS30, MLS35	10.373.028.00
LMA.11	Presostato 340/200 340 / 200 pressure switch	MLC50, MLC65	10.373.087.06



LMA.12

Código Code	Descripción Description	Modelo Model	Código original Original code
LMA.12	Presostato 45/20,95/70 45 / 20, 95 / 70 pressure switch	MLS31	10.373.029.00



LASA.17

LASA.18

Código Code	Descripción Description	Modelo Model	Código original Original code
LASA.17	Termostato 30-90°C, 3 polos 30-90°C, 3-pole thermostat	MLS30, ML31	10.373.049.00
LASA.18	Termostato 80-90°C, 1-polo 80-90°C, 1-pole thermostat	MLS35, MLC56, MLC65	10.373.146.00

Termostatos Thermostats



LMA.13

LAP.32

Código Code	Descripción Description	Modelo Model	Código original Original code
LMA.13	Termostato 55°C 55°C, stoke thermostat	MLS30, MLS31, MLS35, MLC50, MLC65	10.373.040.00
LAP.32	Termostato seguridad, 140°C 140°C, safety thermostat		10.373.050.00

Microinterruptores Micro switches



CZA442

LASA.20

Código Code	Descripción Description	Modelo Model	Código original Original code
CZA442	Microinterruptor 2-polos 2-pole micro switch	MLS, MLS31, MLS35	10.373.042.00
LASA.20	Interruptor de proximidad Proximity switch	MLC50, MLC65	10.373.077.00



V.135

Código Code	Descripción Description	Modelo Model	Código original Original code
V.135	Electroválvula 230V 1-fold, 230V	Universal	10.373.088.00

Relé Relay



LMA.20

Código Code	Descripción Description	Modelo Model	Código original Original code
LMA.20	Relé 10A 2-pol-changer, 10A	Universal	10.373.124.00

Dosificador abrillantador Rinse aid dosimeter



LAV898



LAV405



H25211

Código Code	Descripción Description	Modelo Model	Código original Original code
LAV898	Dosificador abrillantador Dosing pumps	—	10.373.045.10
LAV405	Bobina Solenoid coil	—	—
H25211	Abrillantador Valve	—	—

Resistencias Heating elements



LMA.24



LMA.25



ANP169

Código Code	Descripción Description	Modelo Model	Código original Original code
LMA.24	Resistencia 1800W, 230V 1800W, 230V resistance	—	10.373.038.13
LMA.25	Resistencia 3500W, 3x230V 3500W, 3x230V resistance	MLC50, MLC65	10.373.126.00
ANP169	Junta Gasket	—	10.365.042.00



LMA.19



MAC247



LMA.28, LMA.29



LMA.30

Código Code	Descripción Description	Modelo Model	Código original Original code
LMA.19	Resistencia 4500W, 3x230V 4500W, 3x230V resistance	MLS30, MLS31	10.373.054.00
MAC247	Junta Gasket	—	10.365.028.00
LMA.28	Resistencia 6000W, 3x230V 6000W, 3x230V resistance	MLS30P, MLS31P, MLS35, MLC50	10.373.055.00
LMA.29	Resistencia 9000W, 3x230V 9000W, 3x230V resistance	MLC65	10.373.127.00
LMA.30	Junta Gasket	—	10.365.042.00

Bombas Pumps



LASA.37



LMA.32

Código Code	Descripción Description	Modelo Model	Código original Original code
LASA.37	Bomba desagüe 34W, 230V 34W, 230V drain pump	MLS31	10.373.047.00
LMA.32	Bomba 0,75PS, 230V 0,75PS, 230V pump	MLS30, MLS31, MLS35	10.373.046.00

Componentes motor Motor components



1



2



3



4



5

Bombas Pumps	1 Turbina Impellor	2 Retén Axial face seal	3 Junta Pump cover	4 Tapa Pump cover	5 Condensador Condenser
Código Code	Código original Original code	Código Code	Código Code	Código Code	Código Code
LMA.32	10.373.046.00	LMA.33	WIN193	LMA.35	LASA.24

Si no encuentra el componente que busca, llámenos, le ayudaremos.



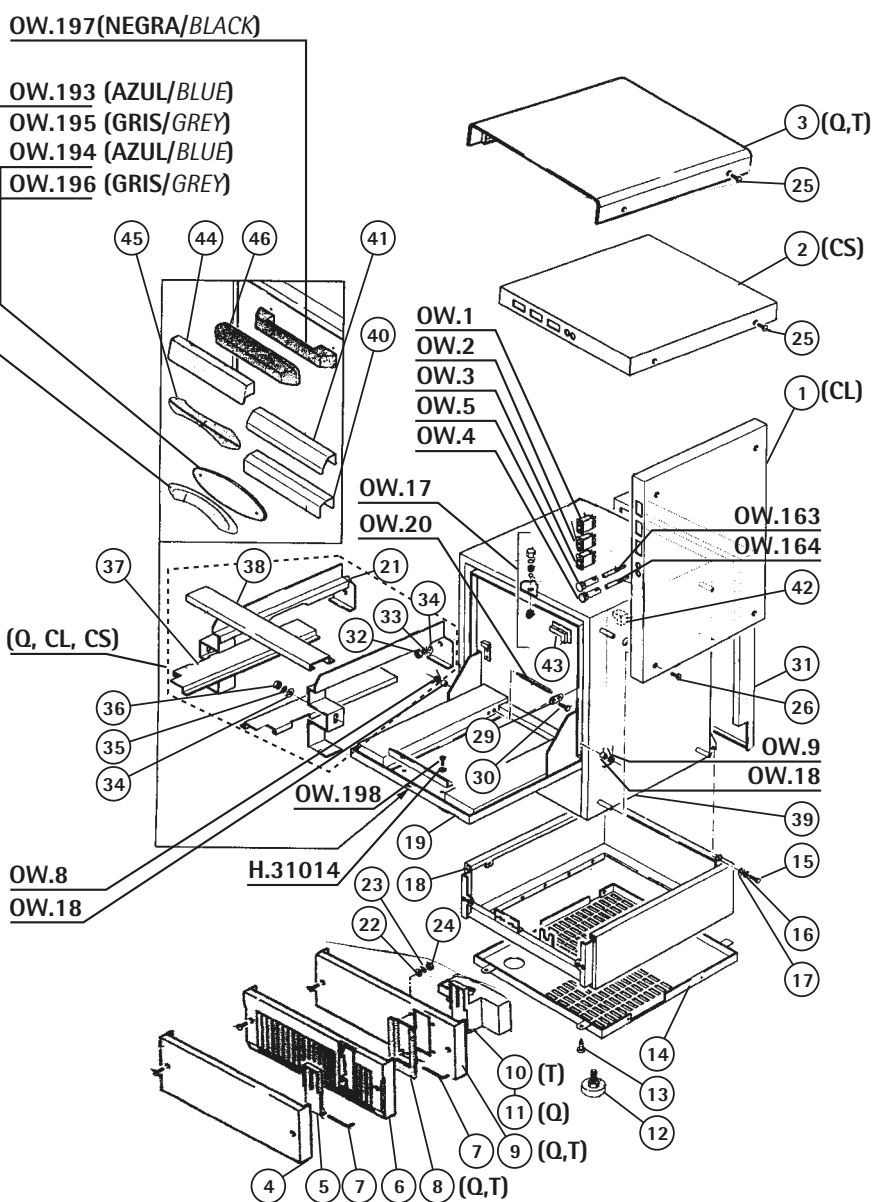
Tel: 93 377 64 11
Fax: 93 377 98 03
ascaso@ascaso.com

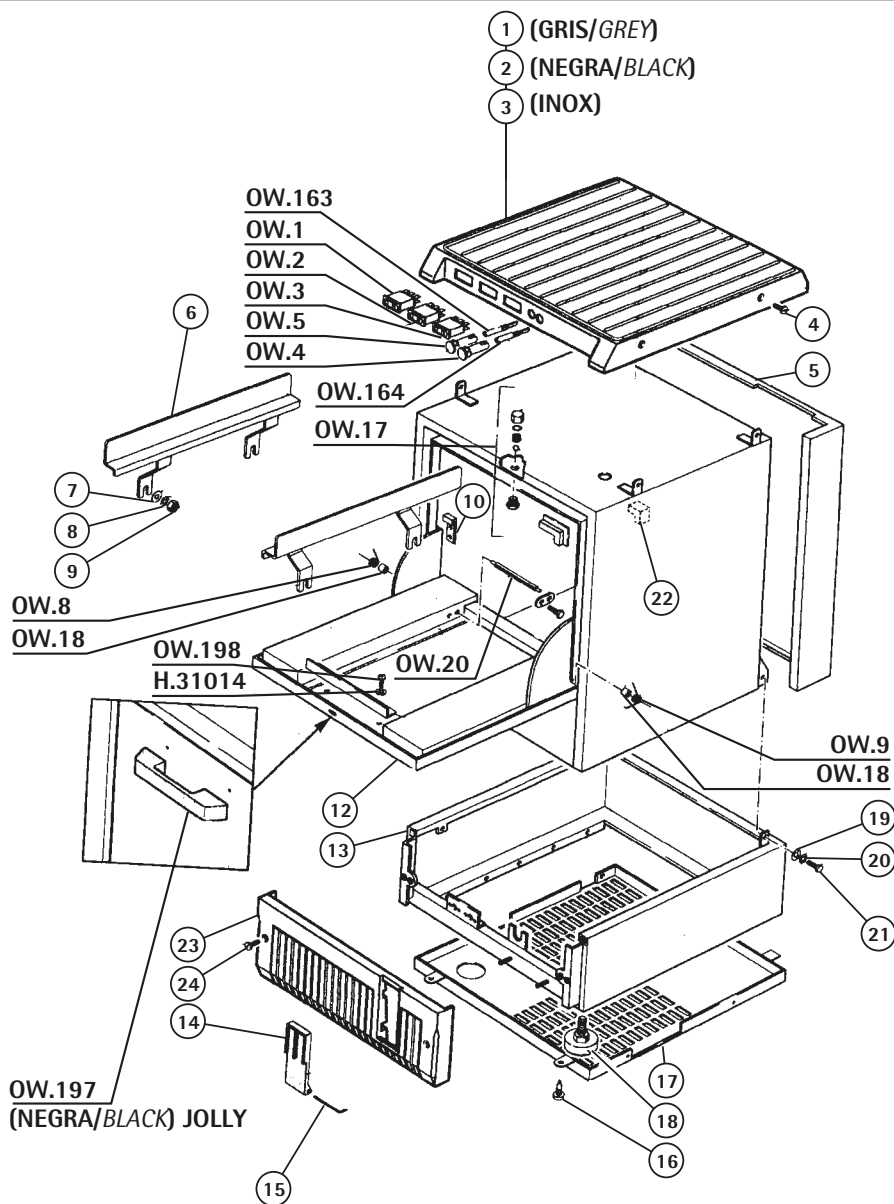
Índice OMNIWASH index

Carrocería UNO, DUE	Bodywork UNO, DUE	1380
Carrocería JOLLY	Bodywork JOLLY	1381
Lavado - Aclarado UNO / DUE CS-CL-T, JOLLYQ	UNO / DUE CS-CL-T, JOLLYQ Wash/Rinse	1382
Lavado - Aclarado UNO Q, UNO AQ, DUE AQ	UNO Q, UNO AQ, DUE AQ Wash/Rinse	1383
Lavado - Aclarado UNO T, AT, DUE AT, JOLLY T, AT	UNO T, AT, DUE AT, JOLLY T, AT Wash/Rinse	1384
Motor, Filtro UNO Q CS / CL A Q CS, TQ, ATQ DUE AQ CS/CL, ATQ JOLLY Q, T	UNO Q CS/CL A Q CS, TQ, ATQ DUE A Q CS / C, ATQ JOLLY Q,T Filter/Pump	1385
Filtro / Bomba UNO T-Q-AT- AQ DUE AT-AQ	UNO T-Q-AT- AQ DUE AT-AQ Filter / Pump	1386
Calderín / Varios UNO Q, CS, CL, AQ / DUE AQ, CS, CL, JOLLY Q,AQ	UNO Q, CS, CL, AQ / DUE AQ, CS, CL, JOLLY Q,AQ Boiler / Various	1387
Panel mandos UNO CS- CL DUE CS-CL	UNO CS-CL, DUE CS-CL Electric components	1388
Panel mandos UNO T-Q-AT-AQ DUE AT-AQ	UNO T-Q-AT-AQ DUE AT-AQ Electric components	1389
Componentes eléctricos UNO T,Q,AT,TQ DUE AT,AQ	UNO T,Q,AT,TQ DUE AT,AQ Electric components	1390
Componentes eléctricos UNO A T Q CS / CL, DUE A T Q CS / CL, JOLLY T,Q	UNO A T Q CS / CL, DUE A T Q CS / CL, JOLLY T,Q Electric components	1391
Carrocería QUATTRO A / 82 - T / 82	QUATTRO A / 82-T / 82 Body	1392
Lavado / aclarado QUATTRO Q / 82	QUATTRO Q / 82 Wash /Rinse	1393
Calderín QUATTRO T / 82-Q82	T / 82-Q / 82 QUATTRO Boiler	1394
Motor / Filtro QUATTRO T / 82-Q82	T / 82-Q / 82 QUATTRO Pump / Filter	1395
Filtro / Bomba QUATTRO T / 82-Q / 82	T / 82-Q / 82 QUATTRO Filter / Pump	1396
Panel mandos QUATTRO T / 82-Q / 82	T / 82-Q / 82 QUATTRO Electric components	1397
Componentes eléctricos QUATTRO T / 82-Q 82	T / 82-Q / 82 QUATTRO Electric components	1398
Carrocería SEI 1P, SEI2P, SEI2P/S	SEI 1P, SEI2P, SEI2P/S Body	1399
Mecanismo cúpula SEI 1P, SEI2P, SEI2P/S	SEI 1P, SEI2P, SEI2P/S Mechanical part	1400
Lavado / aclarado SEI 1P, SEI 2P, SEI 2P/S	SEI 1P, SEI 2P, SEI 2P/S Wash / Rinse	1401
Calderín SEI 1P, SEI 2P, SEI 2P / S	SEI 1P, SEI 2P, SEI 2P / S Boiler	1402
Bomba SEI 1P, SEI2P, SEI 2P / S	SEI 1P, SEI2P, SEI 2P / S Pump	1403
Panel de mandos SEI1P, SEI 2P, SEI 2P / S	SEI1P, SEI 2P, SEI 2P / S Electric components	1404
Componentes eléctricos SEI 2P	SEI 2P Electric components	1405
Componentes eléctricos SEI 1P, SEI 2P / S	SEI1P, SEI 2P / S Electric components	1406
Cestos	Baskets	1407

Carrocería UNO, DUE ■ Bodywork UNO, DUE

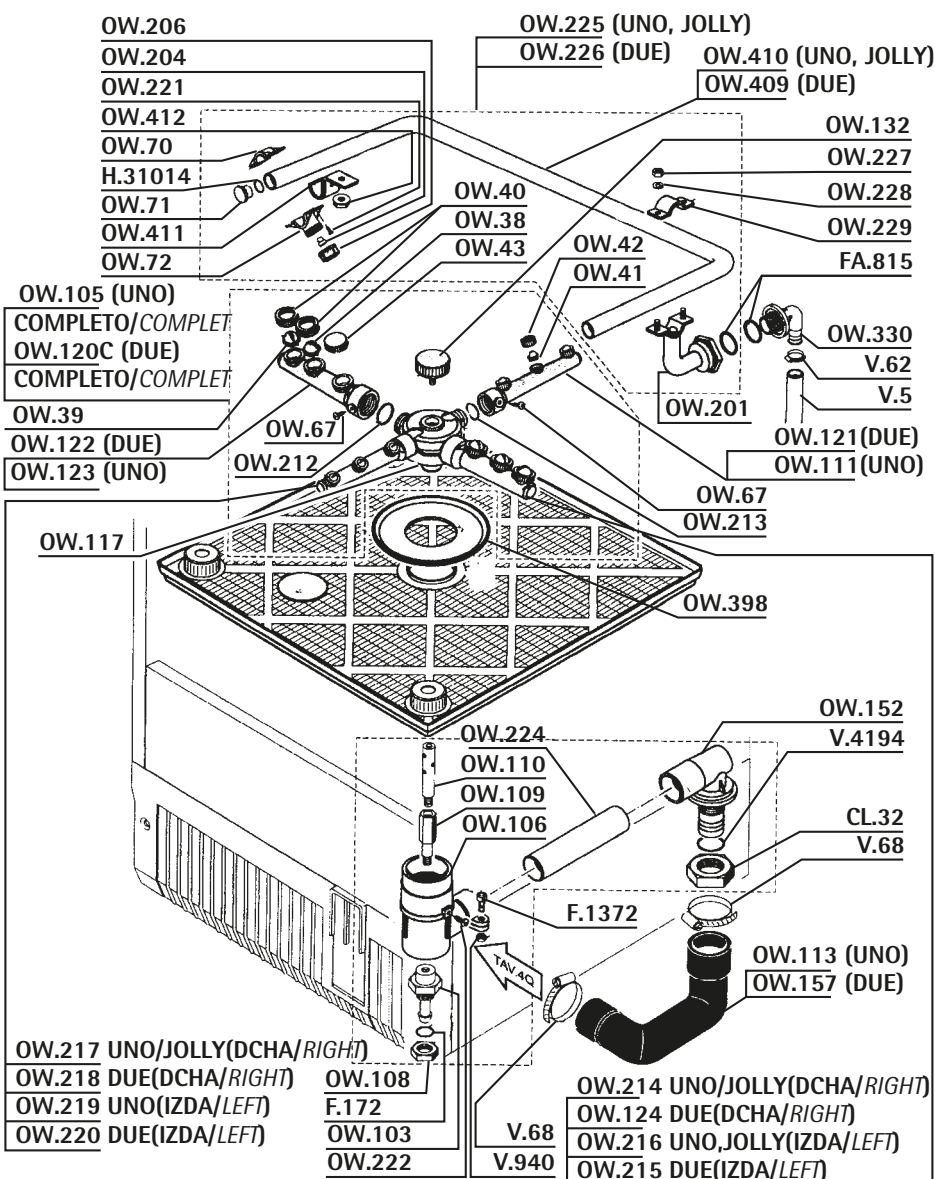
REF.	DESCRIPCIÓN	DESCRIPTION
H31014	TORICA CIERRE	CLOSING RING
OW...1	INTERRUPTOR ON-OFF	ON-OFF SWITCH
OW...2	PULSANTE CICLO	CYCLE PUSH BUTTON
OW...3	PULSANTE ACLARADO	RINSE PUSH BUTTON
OW...4	PLASTICO LAMPARA VERDE	GREEN COVER
OW...5	PLASTICO LAMPARA AMBAR	ORANGE COVER
OW...8	MUELLE PUERTA IZQUIERDO	LEFT DOOR SPRING
OW...9	MUELLE PUERTA DERECHO	RIGHT DOOR SPRING
OW..17	CIERRE PUERTA	CLOSING DOOR
OW..18	DISTANCIAL PUERTA	DOOR DISTANCER
OW..20	EJE PUERTA	DOOR ROD
OW.163	PILOTO NARANJA RESISTENC.230V	230V RESISTANCE ORANGE PILOT
OW.164	PILOTO VERDE RESISTENCIA 230V	230V RESISTANCE GREEN PILOT
OW.193	MANETA AZUL	BLUE HANDLE
OW.194	EMBELLECEDOR MANETA AZUL	BLUE BACKPLATE HANDLE
OW.195	MANETA GRIS	GREY HANDLE
OW.196	EMBELLECEDOR MANETA GRIS	GREY BACKPLATE HANDLE
OW.197	MANETA ABS NEGRA	BLACK ABS HANDLE
OW.198	TORNILLO MANETA	HANDLE SCREW





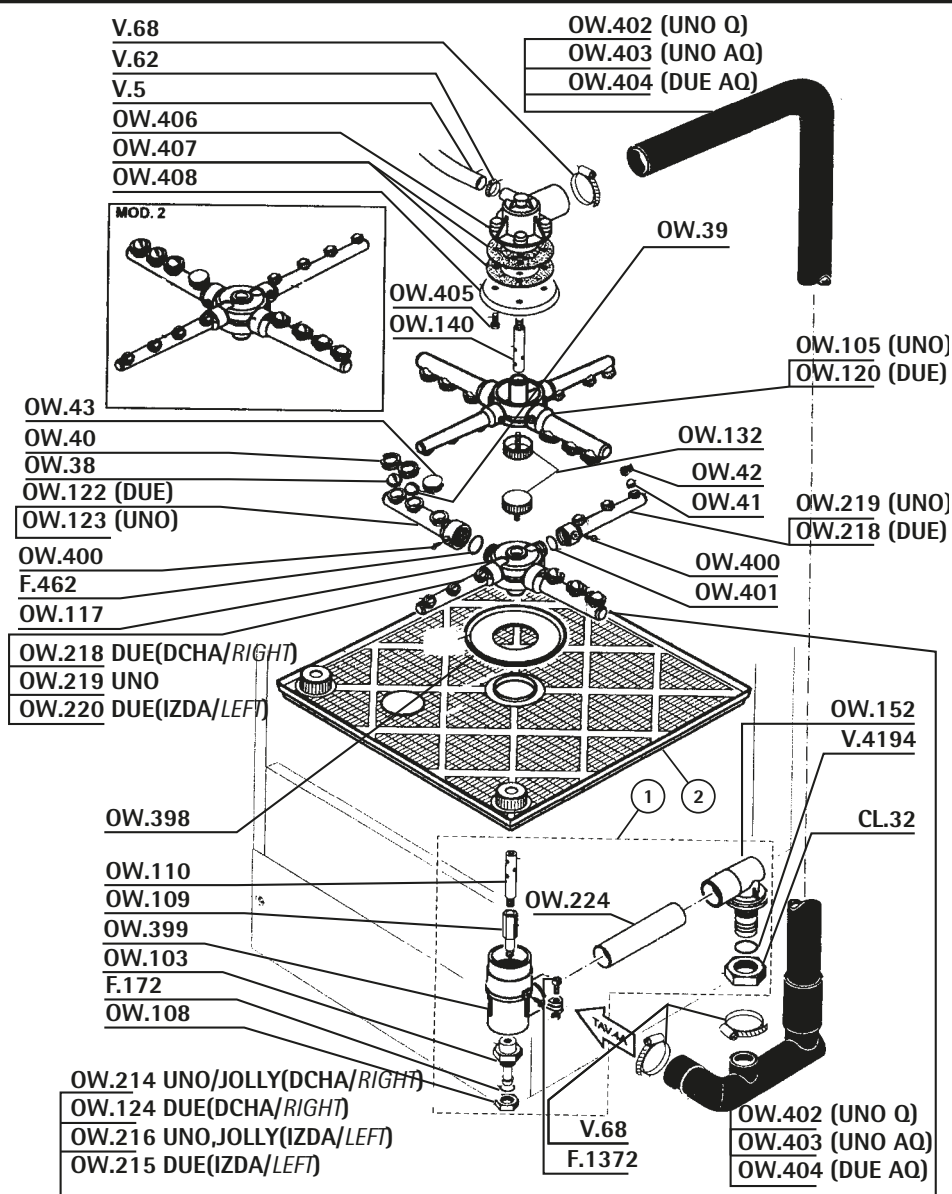
REF.	DESCRIPCIÓN	DESCRIPTION
H31014	TORICA CIERRE	CLOSING RING
OW...1	INTERRUPTOR ON-OFF	ON-OFF SWITCH
OW...2	PULSANTE CICLO	CYCLE PUSH BUTTON
OW...3	PULSANTE ACLARADO	RINSE PUSH BUTTON
OW...4	PLASTICO LAMPARA VERDE	GREEN COVER
OW...5	PLASTICO LAMPARA AMBAR	ORANGE COVER
OW...8	MUELLE PUERTA IZQUIERDO	LEFT DOOR SPRING
OW...9	MUELLE PUERTA DERECHO	RIGHT DOOR SPRING
OW..17	CIERRE PUERTA	CLOSING DOOR
OW..18	DISTANCIAL PUERTA	DOOR DISTANCER
OW..20	EJE PUERTA	DOOR ROD
OW.163	PILOTO NARANJA RESISTENC.230V	230V RESISTANCE ORANGE PILOT
OW.164	PILOTO VERDE RESITENCIA 230V	230V RESISTANCE GREEN PILOT
OW.197	MANETA ABS NEGRA	BLACK ABS HANDLE
OW.198	TORNILLO MANETA	HANDLE SCREW

Lavado - Aclarado UNO / DUE CS-CL-T, JOLLYQ ■ UNO / DUE CS-CL-T, JOLLYQ Wash/Rinse

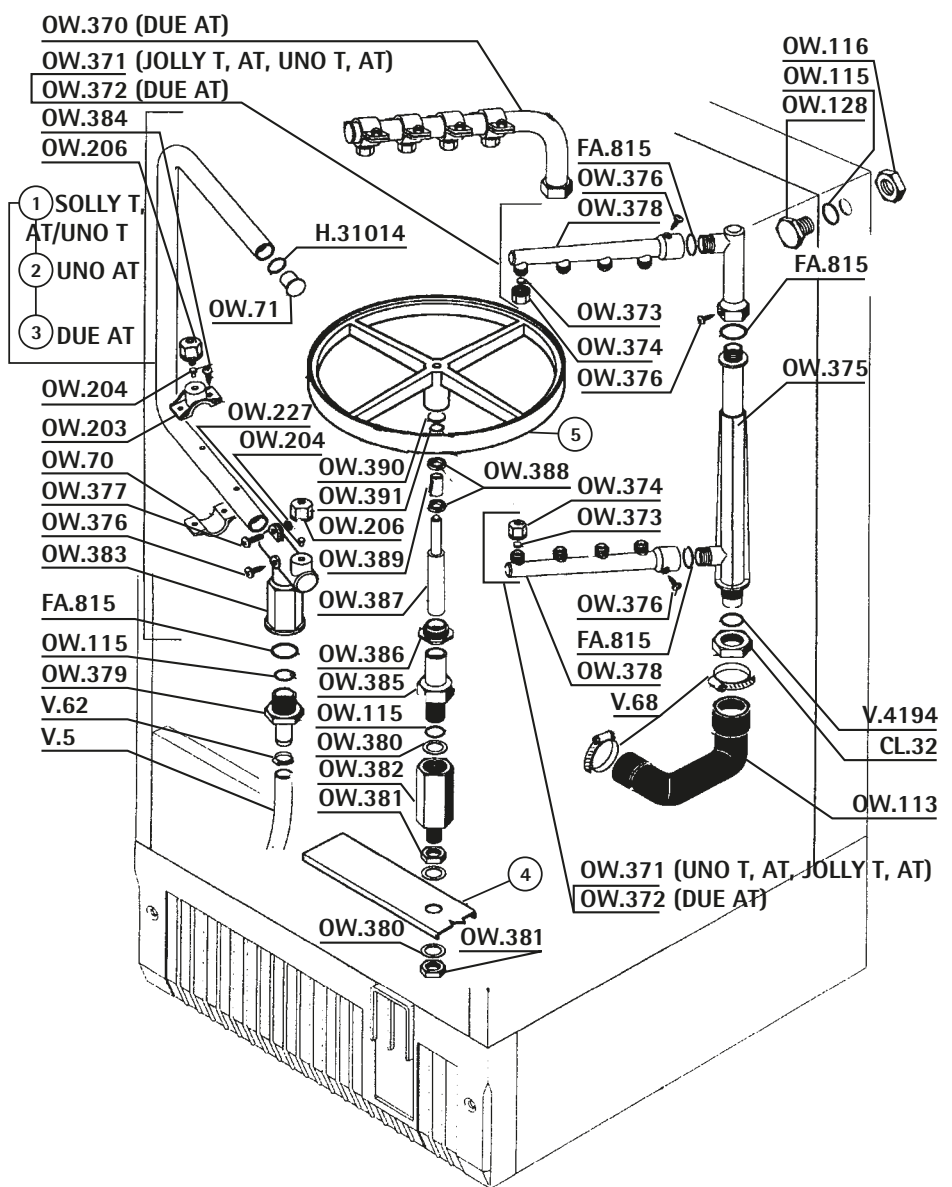


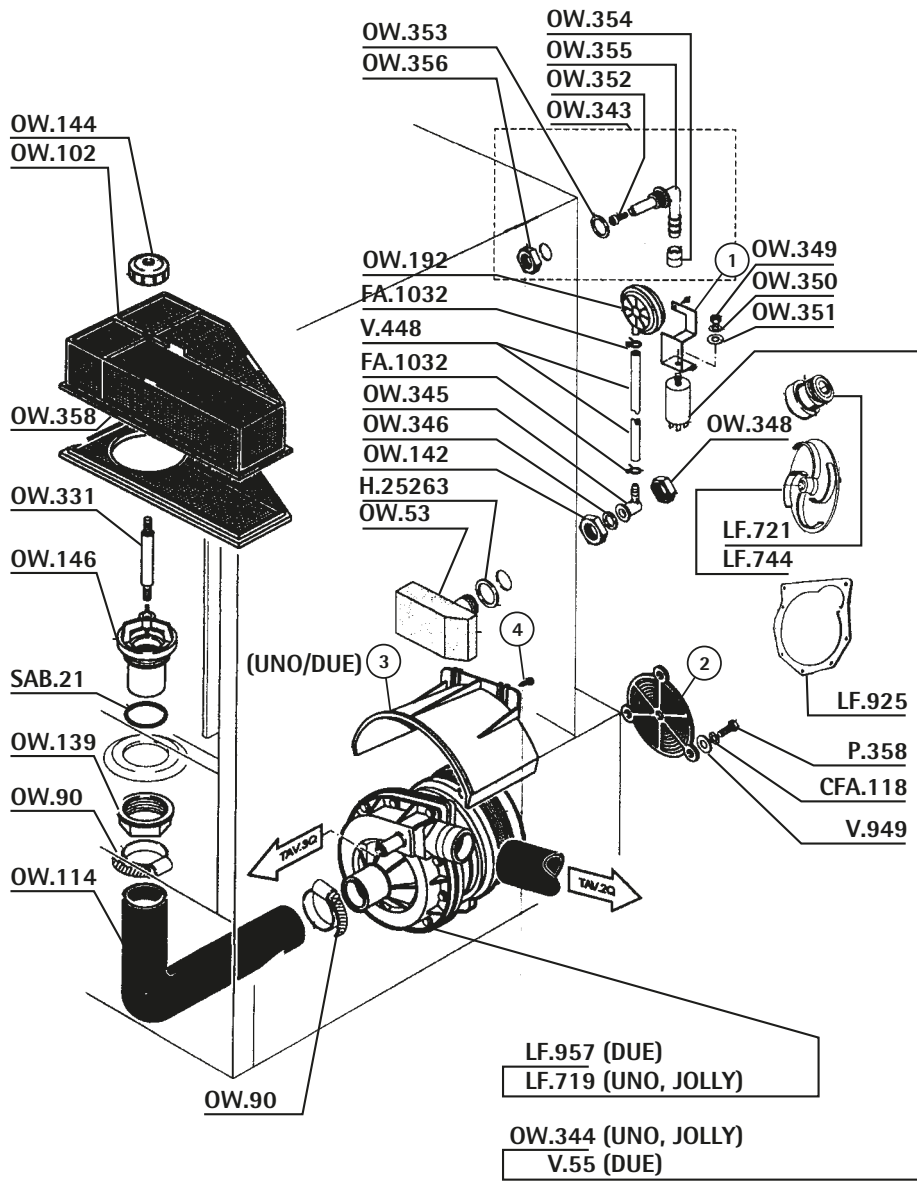
REF.	DESCRIPCIÓN	DESCRIPTION
CL...32	TUERCA PLASTICO	PLASTIC NUT
F..172	TORICA	EPDM RING
F.1372	TORNILLO ALLEN	SCREW
FA.815	TORICA GOMA EPDM	RUBBER RING
H31014	TORICA CIERRE	CLOSING RING
OW..38	ROCIADOR LAVADO IZQUIERDO	LEFT WASH JET
OW..39	ROCIADOR LAVADO DERECHO	RIGHT WASH JET
OW..40	TAPON ROCIADOR LAVADO	WASH JET CAP
OW..41	ROCIADOR ACLARADO PLASTICO	RINSE JET
OW..42	TUERCA ROCIADOR ACLARADO	NUT JET CAP
OW..43	TAPON CIEGO ROCIADOR LAVADO	WASH JET BLIND CAP
OW..67	TORNILLO INOX ASTA	ARM INOX SCREW
OW..70	ABRAZADERA ROCIAD.ACLARA.	RINSE JET CLAMP
OW..71	TAPON ASTA	ARM CAP
OW..72	ABRAZADERA ACLARADO	RINSE SPRAY CLAMP
OW.103	SOPORTE	SUPPORT
OW.105	GIRANTE COMPLETO JOLLY/UNO	JOLLY/UNO COMPLET GYRATORY
OW.106	BASE GIRATORIO	GYRATORY BASE
OW.108	TUERCA 1/4	1/4 NUT
OW.109	EJE	ROD
OW.110	EJE GIRATORIO	GYRATORY ROD
OW.111	BRAZO ALCARADO JOLLY	JOLLY RINSE ARM
OW.113	MANGUITO IMPULSION JOLLY/UNO	JOLLY/UNO IMPULSE SLEEVE
OW.117	CRUZ GIRATORIO	GIRATORY CROSSHEAD
OW.120	GIRANTE COMPLETO DUE	DUE COMPLET GYRATORY
OW.121	ASTA ACLARADO DUE	DUE RINSE ARM
OW.122	ASTA LAVADO DUE	DUE WASH ARM
OW.123	ASTA LAVADO JOLLY/UNO	JOLLY/UNO WASH ARM
OW.124	ASTA LAVADO DERECHA DUE	DUE RIGHT WASH ARM
OW.132	TORNILLO FIJACION	FIXATION SCREW
OW.152	SOPORTE PLASTICO	SUPPORT
OW.157	MANGUITO IMPULSION DUE	DUE IMPULSE SLEEVE
OW.201	SOPORTE ASTA ACLARADO	RINSE CONNECTION CLAMP
OW.204	DIFUSOR ACLARADO	RINSE JET SPINNER
OW.206	TUERCA ACLARADO	RINSE JET
OW.212	TORICA BRAZO LAVADO	O-RING
OW.213	TORICA BRAZO LAVADO	O-RING
OW.214	BRAZO LAVADO DERECHO	RIGHT WASHING ARM WITH JETS
OW.215	BRAZO LAVADO IZQUIERDO	LEFT WASHING ARM WITH JETS
OW.216	BRAZO LAVADO IZQUIERDO «UNO»	«UNO»-LFT.WASHING ARM WITH JETS
OW.217	BRAZO ACLARADO DERECHO «UNO»	«UNO»-RIGHT RINSE ARM WITH JETS
OW.218	BRAZO ACLARADO DERECHO «DUE»	«DUE»-RIGHT RINSE ARM WITH JETS
OW.219	BRAZO ACLARADO IZQUIERDO «UNO»	«UNO»-LEFT RINSE ARM WITH JETS
OW.220	BRAZO ACLARADO IZQUIERDO «DUE»	«DUE»-LEFT RINSE ARM WITH JETS
OW.221	TORNILLO	SCREW
OW.222	TORNILLO 3,5x9,5	SCREW 3,5x9,5
OW.224	TUBO	PIPE
OW.225	ASTA ACLARADO SUPERIOR «UNO»	RINSE ARM «UNO»
OW.226	ASTA ACLARADO SUPERIOR «DUE»	RINSE ARM «DUE»
OW.227	TUERCA	NUT
OW.228	ARANDELA	WASHER
OW.229	BRIDA SURTIDOR	OUT PIPE CLASP
OW.330	CODO	COUDE
OW.398	DEFLECTOR	DEFLECTOR
OW.409	ASTA INOX	INOX ARM
OW.410	ASTA INOX	INOX ARM
OW.411	BRIDA	CLASP
OW.412	TUERCA	NUT
V...5	TUBO GOMA 10X16 20 ATM	20ATM 10X17 RUBBER PIPE
V..62	ABRAZADERA 12-20	12-20 CLAMP
V..68	ABRAZADERA 32-50	35-50 CLAMP
V..940	TUERCA INOX M5	M5 INOX NUT
V.4194	TORICA	TANK ADAPTOR

REF.	DESCRIPCIÓN	DESCRIPTION
CL...32	TUERCA PLASTICO	PLASTIC NUT
F.172	TORICA	EPDM RING
F.462	TORICA GOMA	EPDM RUBBER RING
F.1372	TORNILLO ALLEN	SCREW
OW..38	ROCIADOR LAVADO IZQUIERDO	LEFT WASH JET
OW..39	ROCIADOR LAVADO DERECHO	RIGHT WASH JET
OW..40	TAPON ROCIADOR LAVADO	WASH JET CAP
OW..41	ROCIADOR ACLARADO PLASTICO	RINSE JET
OW..42	TUERCA ROCIADOR ACLARADO	NUT JET CAP
OW..43	TAPON CIEGO ROCIADOR LAVADO	WASH JET BLIND CAP
OW.103	SOPORTE	SUPPORT
OW.105	GIRANTE COMPLETO JOLLY/UNO	JOLLY/UNO COMPLET GYRATORY
OW.108	TUERCA 1/4	1/4 NUT
OW.109	EJE	ROD
OW.110	EJE GIRATORIO	GYRATORY ROD
OW.117	CRUZ GIRATORIO	GIRATORY CROSSHEAD
OW.120	GIRANTE COMPLETO DUE	DUE COMPLET GYRATORY
OW.122	ASTA LAVADO DUE	DUE WASH ARM
OW.123	ASTA LAVADO JOLLY/UNO	JOLLY/UNO WASH ARM
OW.124	ASTA LAVADO DERECHA DUE	DUE RIGHT WASH ARM
OW.132	TORNILLO FIJACION	FIXATION SCREW
OW.140	PERNO INOX UNO-DUE	UNO-DUE INOX BOLT
OW.152	SOPORTE PLASTICO	SUPPORT
OW.214	BRAZO LAVADO DERECHO	RIGHT WASHING ARM WITH JETS
OW.215	BRAZO LAVADO IZQUIERDO	LEFT WASHING ARM WITH JETS
OW.216	BRAZO LAVADO IZQUIERDO «UNO»	«UNO»LFT.WASHING ARM WITH JETS
OW.218	BRAZO ACLARADO DERECHO «DUE»	«DUE»RIGHT RINSE ARM WITH JETS
OW.219	BRAZO ACLARADO IZQUIERDO «UNO»	«UNO»LEFT RINSE ARM WITH JETS
OW.220	BRAZO ACLARADO IZQUIERDO «DUE»	«DUE» LEFT RINSE ARM WITH JETS
OW.224	TUBO	PIPE
OW.398	DEFLECTOR	DEFLECTOR
OW.399	SOPORTE INFERIOR	SUPPORT ASSEMBLY
OW.400	TORNILLO	SCREW
OW.401	JUNTA	GASKET
OW.402	MANGUITO ASPIRACION «UNO» Q	SUCTION SLEEVE «UNO» A
OW.403	MANGUITO ASPIRACION «UNO» Q	SUCTION SLEEVE «UNO» AQ
OW.404	MANGUITO ASPIRACION «DUE» AQ	SUCTION SLEEVE «DUE» AQ
OW.405	TORNILLO	SCREW
OW.406	ADAPTADOR	ADAPTOR
OW.407	JUNTA	GASKET
OW.408	PLETINA	BAFFLE PLATE
V....5	TUBO GOMA 10X16 20 ATM	20ATM 10X17 RUBBER PIPE
V...62	ABRAZADERA 12-20	12-20 CLAMP
V...68	ABRAZADERA 32-50	35-50 CLAMP
V.4194	TORICA	TANK ADAPTOR



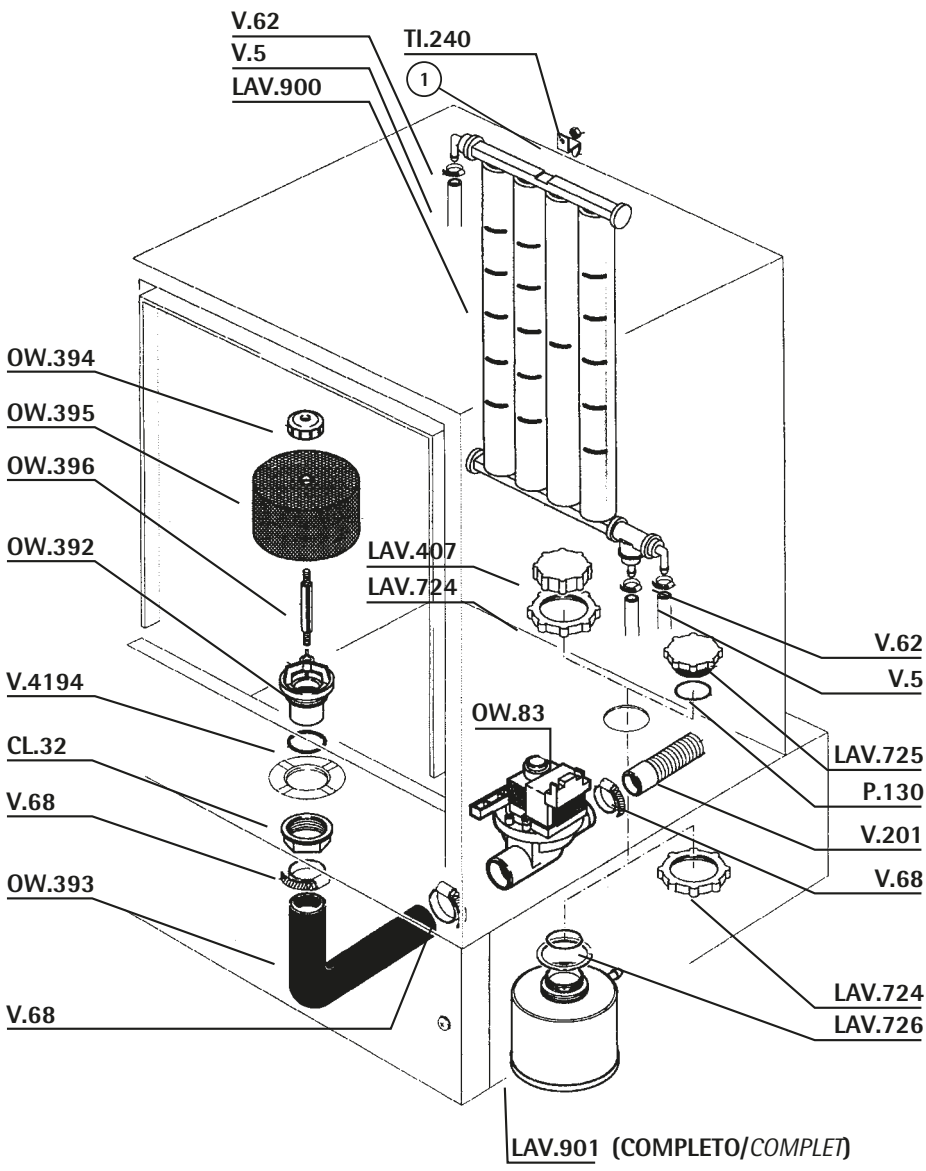
REF.	DESCRIPCIÓN	DESCRIPTION
CL...32	TUERCA PLASTICO	PLASTIC NUT
FA.815	TORICA GOMA EPDM	RUBBER RING
H31014	TORICA CIERRE	CLOSING RING
OW..70	ABRAZADERA ROCIAD.ACLARA.	RINSE JET CLAMP
OW..71	TAPON ASTA	ARM CAP
OW.113	MANGUITO IMPULSION JOLLY/UNO	JOLLY/UNO IMPULSE SLEEVE
OW.115	TORICA	RING
OW.116	TUERCA	NUT
OW.128	TAPON	CAP
OW.203	ROCIADOR ACLARADO COMPLETO	RINSE JET CLAMP ASSY
OW.204	DIFUSOR ACLARADO	RINSE JET SPINNER
OW.206	TUERCA ACLARADO	RINSE JET
OW.227	TUERCA	NUT
OW.370	ASTA LAVADO	WASH ASSEMBLY
OW.371	ASTA LAVADO COMPLETA «UNO»	«UNO» WASH ROD ASSEMBLY
OW.372	ASTA LAVADO COMPLETA «DUE»	«DUE» WASH ROD ASSEMBLY
OW.373	ROMPECHORROS	THREAD
OW.374	TAPON ROCIADOR	WASHING JET
OW.375	COLUMNA LAVADO	WASH COLUMN
OW.376	TORNILLO	SCREW
OW.377	TORNILLO	SCREW
OW.378	BRAZO LAVADO	WASH ASSEMBLY
OW.379	SOPORTE ARBOL ACLARADO	ROD SUPPORT WNIPLLE
OW.380	JUNTA	GASKET
OW.381	TUERCA	NUT
OW.382	SOPORTE VOLANTE	HEXAGONAL SPACER COLUMN
OW.383	SOPORTE ASTA	STEEL ROD SUPPORT
OW.384	TORNILLO	SCREW
OW.385	SOPORTE	SUPPORT
OW.386	TUERCA PLASTCIO	PLASTIC NUT
OW.387	SOPORTE INOX	STUD WITH BALL
OW.388	RODAMIENTO INOX	BALL BEARING TUMTABLE
OW.389	ESPACIADOR	SPACER
OW.390	ARANDELA INOX	WASHER INOX
OW.391	SEEGER	SEEGER
V....5	TUBO GOMA 10X16 20 ATM	20ATM 10X17 RUBBER PIPE
V...62	ABRAZADERA 12-20	12-20 CLAMP
V...68	ABRAZADERA 32-50	35-50 CLAMP
V.4194	TORICA	TANK ADAPTOR



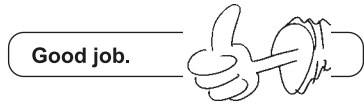


REF.	DESCRIPCIÓN	DESCRIPTION
CFA.118	ARANDELA ESTRAIDA	WASHER
FA.1032	BRIDA	CLASP
H25263	JUNTA CIERRE GOMA	CLOSING RUBBER GASKET
LF.719	ELECTROBOMBA 0.3HP	0.3HP PUMP
LF.721	PALETA BOMBA	PUMP SHOVEL
LF.744	RETEN CERAMICA BOMBA	MECHANICAL SEAL
LF.925	JUNTA BOMBA CORCHO LT-4/5	LT-4/5 MOTOR CORK GASKET
LF.957	ELECTROBOMBA 0.6HP	0.6HP PUMP
OW.53	CAMARA PRESOSTATICA	PRESSURE SWITCH CHAMBER
OW.90	ABRAZADERA MUELLE	SPRING CLAMP
OW.102	FILTRO CUBA	TANK FILTER
OW.114	MANGUITO ASPIRACION	SUXTION SLEEVE
OW.139	TUERCA PLASTICO	NUT
OW.142	TUERCA CAMARA PRESOSTATICA	PRESSURE SWITCH CHAMBER NUT
OW.144	TUERCA FILTRO	FILTER NUT
OW.146	SOPORTE FILTRO	SUPPORT FILTER
OW.192	PRESOSTATO 1 NIVEL	1 LEVEL PRESSURE SWITCH
OW.331	EJE	ROD
OW.343	CONJUNTO CODO DETERGENTE	DETERGENT INJECTOR ASSEMBLY
OW.344	CONDENSADOR «UNO»	CONDENSER «UNO»
OW.345	CODO	ELBOW
OW.346	JUNTA	GASKET
OW.348	RACOR	FITTING
OW.349	TUERCA	NUT
OW.350	ARANDELA ESTRAIDA	WASHER
OW.351	ARANDELA	WASHER
OW.352	TORNILLO	SCREW
OW.353	JUNTA	GASKET
OW.354	CONECTOR	CONECTOR
OW.355	CODO	ELBOW
OW.356	TUERCA	NUT
OW.358	TAPA FILTRO	FILTER LID
P.358	TORNILLO	SCREW
SAB.21	TORICA GOMA	RUBBER RING
V...55	CONDENSADOR 10 MF 220V	220V 10MF.CONDENSER
V.448	TUBO PRESOSTATO-METRO 4X6	4X6 PRE.SWITCH INLET PIPE
V.949	ARANDELA INOX M6	M6 INOX WASHER

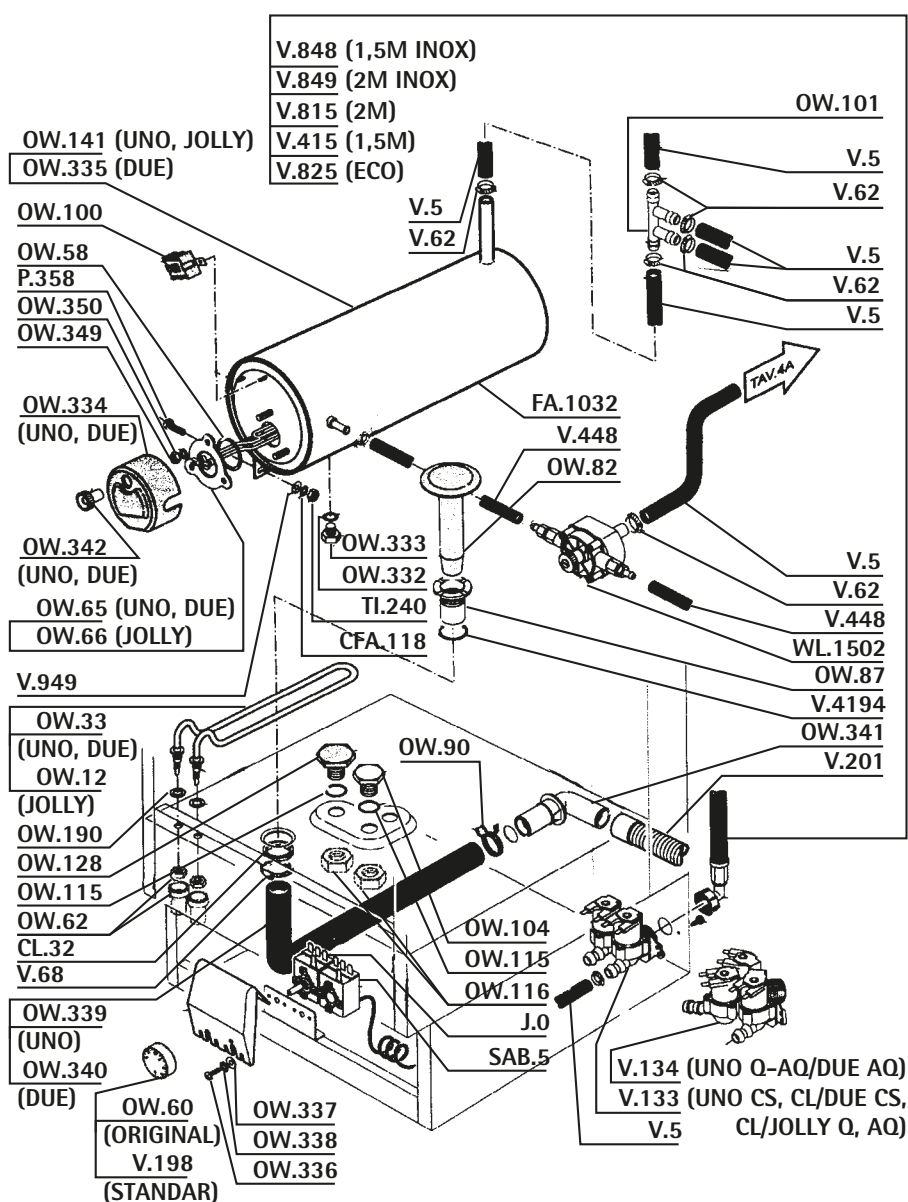
Filtro / Bomba UNO T-Q-AT- AQ DUE AT-AQ ■ UNO T-Q-AT- AQ DUE AT-AQ Filter / Pump



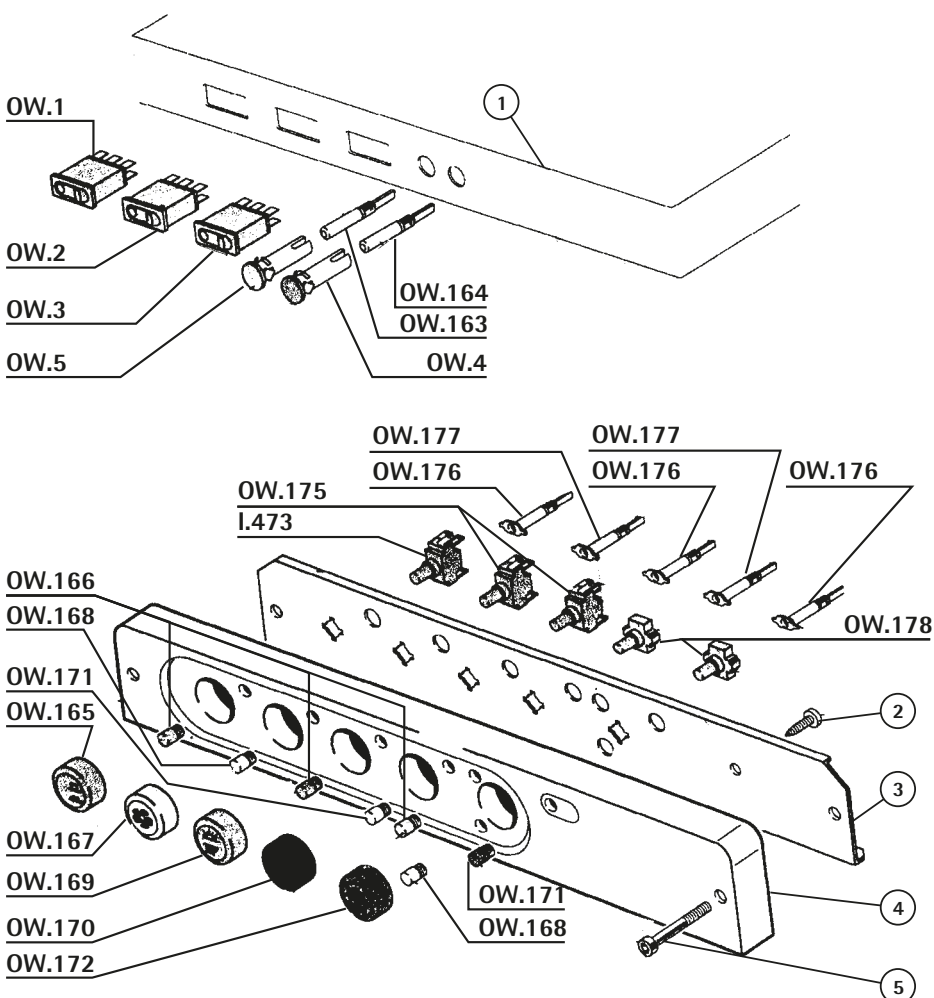
REF.	DESCRIPCIÓN	DESCRIPTION
CL..32	TUERCA PLASTICO	PLASTIC NUT
LAV407	TAPON DEPOSITO SAL	SALT TANK CAP
LAV724	TUERCA DEPOSITO SAL	SALT CONTAINER NUT
LAV725	TAPON BOTELLA SAL	SALT BOTTLE CAP
LAV726	JUNTA GOMA BOTELLA SAL	BOTTLE SALT RUBBER GASKET
LAV900	DEPURADOR LAVATAZAS	WASHING CUP PURIFIER
LAV901	DEPOSITO SAL COMPLETO	SALT CONTAINER
OW..83	BOMBA DESAGÜE	OUTLET PUMP
OW.392	SOPORTE FILTRO	FILTER SUPPORT
OW.393	CODO IMPULSO	SUCTION HOSE
OW.394	TUERCA FILTRO	FILTER NUT
OW.395	FILTRO	FILTER
OW.396	TORNILLO FILTRO	FILTER SCREW
P.130	TORICA EPDM	RING
TI.240	TUERCA M6	M-6 NUT
V....5	TUBO GOMA 10X16 20 ATM	20ATM 10X17 RUBBER PIPE
V...62	ABRAZADERA 12-20	12-20 CLAMP
V...68	ABRAZADERA 32-50	35-50 CLAMP
V.201	TUBO DESAGÜE 28mm. 1,5mt.	28mm. 1.5mt OUTLET PIPE
V.4194	TORICA	TANK ADAPTOR

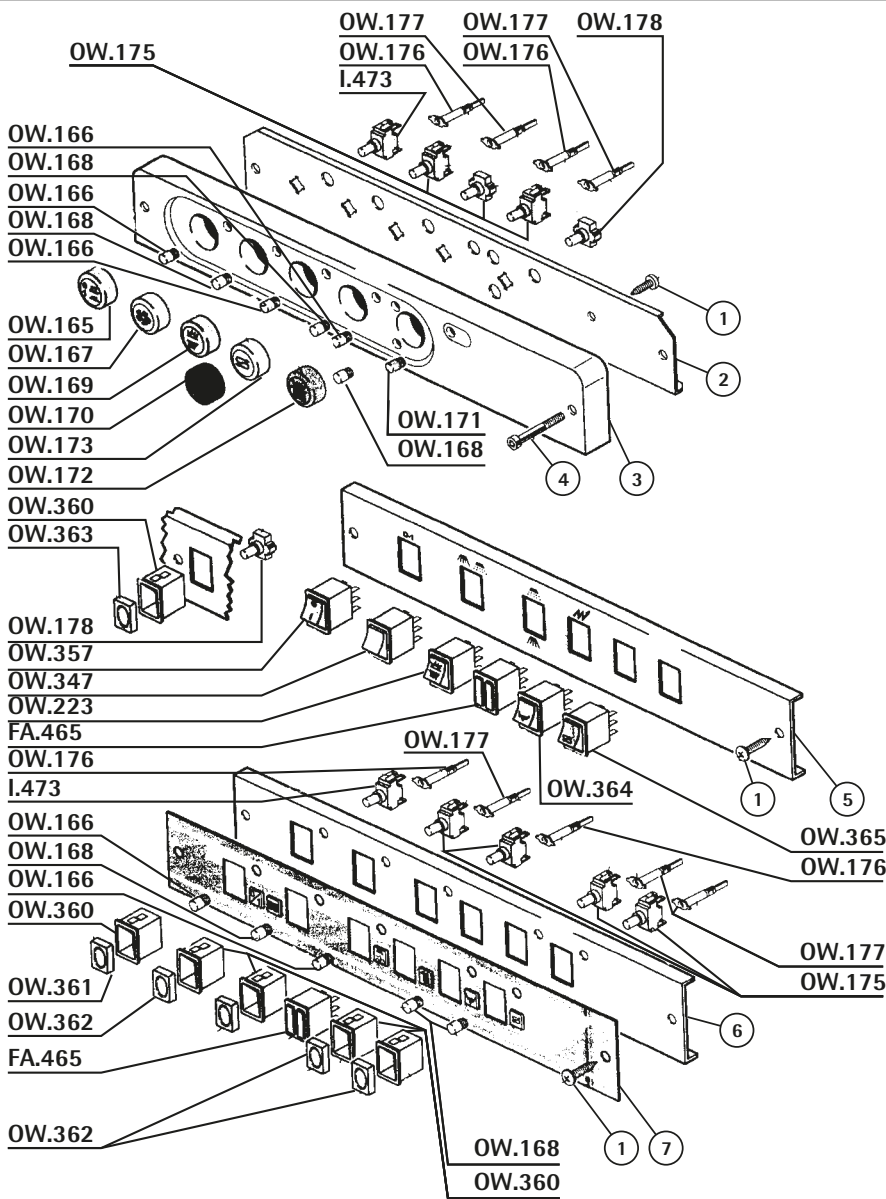


REF.	DESCRIPCIÓN	DESCRIPTION
CFA118	ARANDELA ESTRIADA	WASHER
CL...32	TUERCA PLASTICO	PLASTIC NUT
FA1032	BRIDA	CLASP
J...0	TERMOSTATO 0-90°	0-90° THERMOSTAT
OW..12	RESISTENCIA CUBA 800W 230V	TANK RESISTANCE 800W 230V
OW..33	RESISTENCIA CUBA 1800W 230V	TANK RESISTANCE 1800W 230V
OW..58	JUNTA RESIST.SILICONA	RESISTANCE GASKET
OW..60	MANDO TERMOSTATO	THERMOSTAT HANDLE
OW..62	TUERCA RESISTENCIA	RESISTANCE NUT
OW..65	RESIST.CALD.UNO/DUE 2400W 230V	2400W 230V UNO/DUE BOILER RES.
OW..66	RES.CALDER. JOLLY 2200W 230V	JOLLY BOILER RESIST.2200W 230V
OW..82	SOBRENIVEL	OVERFLOW
OW..87	PIPETA DESAGÜE	OUTLET PIPE
OW..90	ABRAZADERA MUELLE	SPRING CLAMP
OW.100	TERMOSTATO SEGURIDAD 100°	SAFETY THERMOSTAT 100°
OW.101	RACOR 4 VIAS	RACOR 4 VIAS
OW.104	TAPON	CAP
OW.115	TORICA	RING
OW.116	TUERCA	NUT
OW.128	TAPON	CAP
OW.141	CALDERIN UNO MODERNO	UNO MODERN BOILER
OW.190	ARANDELA INOX 12MM	12MM INOX WASHER
OW.332	JUNTA	GASKET
OW.333	TAPON	CAP
OW.334	TAPON RESISTENCIA	RESISTANCE LID
OW.335	CALDERIN «DUE»	BOILER «DUE»
OW.336	TORNILLO	SCREW
OW.337	ARANDELA	WASHER
OW.338	ARANDELA ESTRIADA	WASHER
OW.339	TUBO DESAGÜE «UNO»	OUTLET PIPE «UNO»
OW.340	TUBO DESAGÜE «DUE»	OUTLET PIPE «DUE»
OW.341	CODO 90°	ELBOW 90°
OW.342	TUERCA PROTECTOR	LOOKING PROTECTION NUT
OW.349	TUERCA	NUT
OW.350	ARANDELA ETRAIDA	WASHER
P..358	TORNILLO	SCREW
SAB..5	TERMOSTATO SEGURIDAD 60°	60° THERMOSTAT
TI.240	TUERCA M6	M-6 NUT
V...5	TUBO GOMA 10X16 20 ATM	20ATM 10X16 RUBBER PIPE
V...62	ABRAZADERA 12-20	12-20 CLAMP
V...68	ABRAZADERA 32-50	32-50 CLAMP
V..133	ELECTROVAL.2 VIA LAV.220V	WASH 2 WAYS 220V SOLENOID
V..134	ELECTROVAL.3VIA LAV.220V	WASH 3 WAYS 220V SOLENOID
V..198	MANDO TERMOSTATO 90°	90° THERMOSTAT HANDLE
V..201	TUBO DESAGÜE 28mm, 1.5mt.	28mm, 1.5mt OUTLET PIPE
V..415	TOMA LAVADORA 1,5M	QUALITY 1.5M.INLET W.FLEX
V..448	TUBO PRESOSTATO-METRO 4X6	4X6 PRE.SWITCH INLET PIPE
V..815	TOMA LAVADORA 2 METROS	2 MT.INLET WATER FLEXIBLE
V..825	TOMA LAVADORA 1.5 «ECO»	«ECO»1.5M INLET WA.FLEXIB
V..848	TOMA LAVADORA 1.5M INOX	INOX 1.5M INLET WATER FL.
V..849	TOMA LAV.INOX 2MT.3/4X3/4	INOX 2MT.INLET WATER FLE.
V..949	ARANDELA INOX M6	M6 INOX WASHER
V.4194	TORICA	TANK ADAPTOR
WL1502	DOSIFICADOR ABRILLANTADOR	RINSE AID DOSIMETER



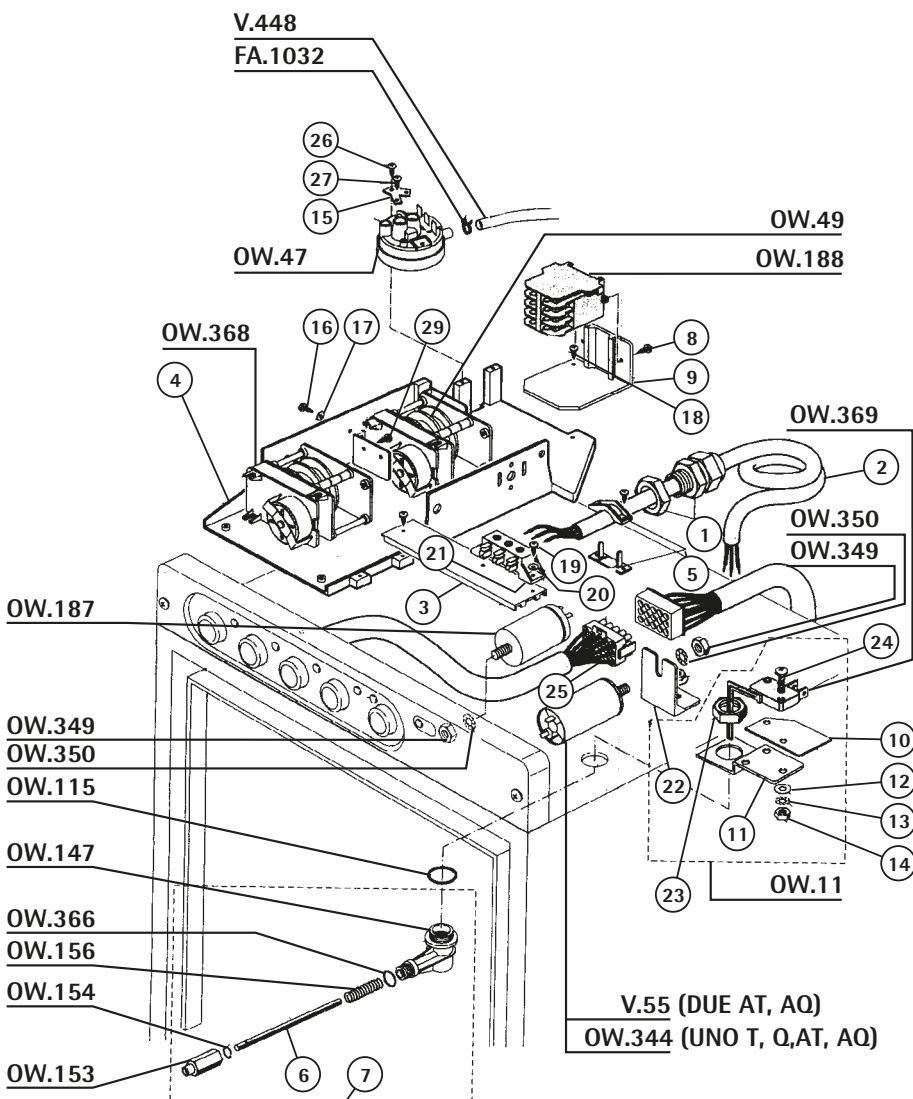
REF.	DESCRIPCIÓN	DESCRIPTION
I..473	INTERRUPTOR BIPOLAR	TWO POLES SWITCH
OW..1	INTERRUPTOR ON-OFF	ON-OFF SWITCH
OW...2	PULSANTE CICLO	CYCLE PUSH BUTTON
OW...3	PULSANTE ACLARADO	RINSE PUSH BUTTON
OW...4	PLASTICO LAMPARA VERDE	GREEN COVER
OW...5	PLASTICO LAMPARA AMBAR	ORANGE COVER
OW.163	PILOTO NARANJA RESISTENC.230V	230V RESISTANCE ORANGE PILOT
OW.164	PILOTO VERDE RESITENCIA 230V	230V RESISTANCE GREEN PILOT
OW.165	PULSADOR BOTON 0/1 VERDE	GREEN PUSH-BUTTON 0/1
OW.166	PILOTO VERDE 6MM	6MM GREEN PILOT
OW.167	BOTON PULSADOR CICLO	CYCLE PUSH-BUTTON
OW.168	PILOTO AMBAR 6MM	6MM ORANGE PILOT
OW.169	BOTON PULSADOR ACLARADO FRIO	WASHING PUSH-BUTTON
OW.170	BOTON PULSADOR NEUTRO	NEUTRAL CAP
OW.171	PILOTO AZUL 6MM	6MM BLUE PILOT
OW.172	BOTON PULSADOR RESISTENCIA	RESSITANCE PUSH-BUTTON CAP
OW.175	PULSADOR CICLO LAVADO	WASH CYCLE PUSH-BUTTON
OW.176	LAMPARA VERDE TESTIGO 6MM	6MM GREEN PILOT
OW.177	LAMPARA NARANJA TESTIGO 6MM	6MM ORANGE PILOT
OW.178	SOPORTE PULSADOR 25MM	25MM PUSH-BUTTON SUPPORT





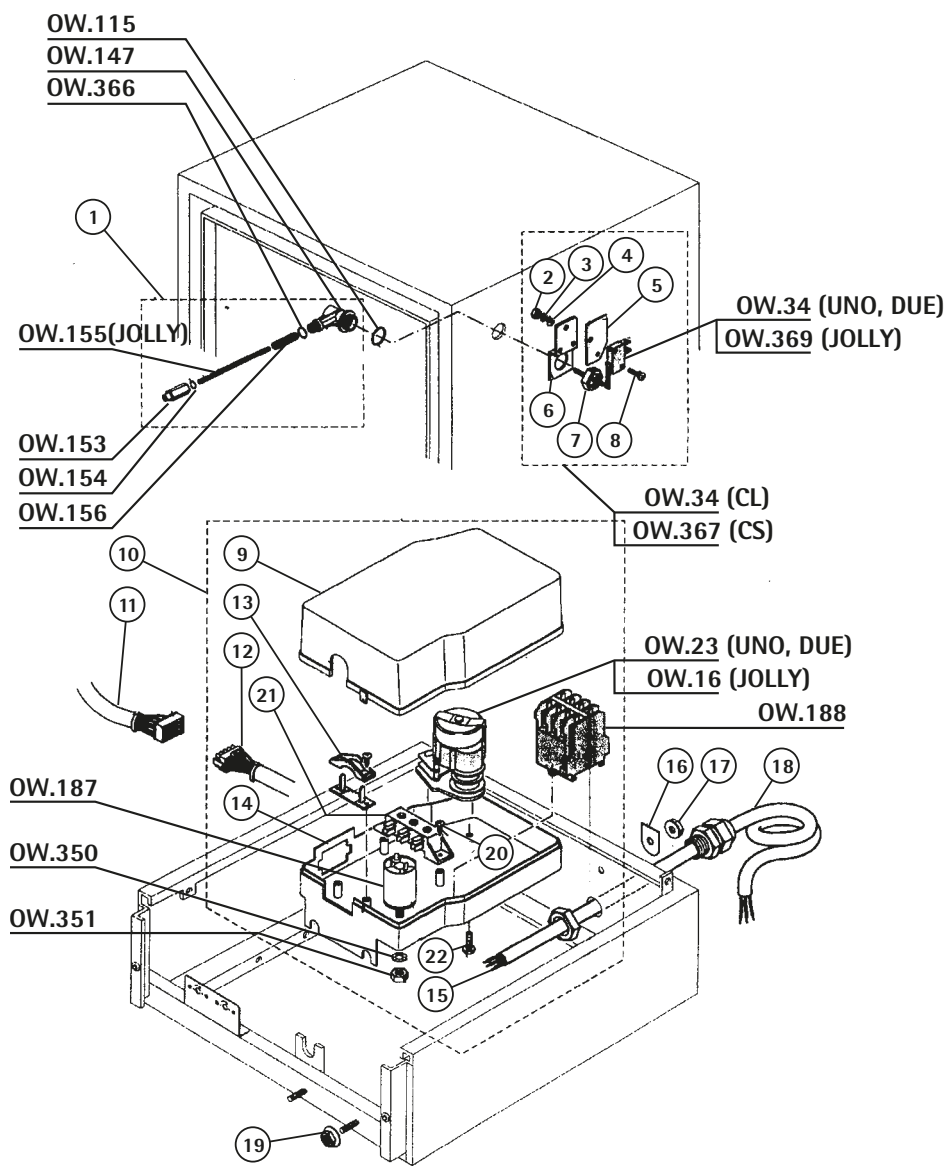
REF.	DESCRIPCIÓN	DESCRIPTION
FA.465	PILOTO DOBLE AMBAR-VERDE	YELLOW-GREEN WARNING LAMP
I.473	INTERRUPTOR BIPOLAR	TWO POLES SWITCH
OW.165	PULSADOR BOTON 0/1 VERDE	GREEN PUSH-BUTTON 0/1
OW.166	PILOTO VERDE 6MM	6MM GREEN PILOT
OW.167	BOTON PULSADOR CICLO	CYCLE PUSH-BUTTON
OW.168	PILOTO AMBAR 6MM	6MM ORANGE PILOT
OW.169	BOTON PULSADOR ACLARADO FRIO	WASHING PUSH-BUTTON
OW.170	BOTON PULSADOR NEUTRO	NEUTRAL CAP
OW.171	PILOTO AZUL 6MM	6MM BLUE PILOT
OW.172	BOTON PULSADOR RESISTENCIA	RESSITANCE PUSH-BUTTON CAP
OW.173	BOTON PULSADOR REGENERACION	REGENERATION PUSH-BUTTON CAP
OW.175	PULSADOR CICLO LAVADO	WASH CYCLE PUSH-BUTTON
OW.176	LAMPARA VERDE TESTIGO 6MM	6MM GREEN PILOT
OW.177	LAMPARA NARANJA TESTIGO 6MM	6MM ORANGE PILOT
OW.178	SOPORTE PULSADOR 25MM	25MM PUSH-BUTTON SUPPORT
OW.223	PULSADOR VERDE	GREEN PUSH
OW.347	PULSADOR CICLO	START CYCLE PUSH
OW.357	INTERRUPTOR ON-OFF	SWITCH ON-OFF
OW.360	CUERPO INTERRUPTOR	SWITCH BODY
OW.361	BOTON PULSADOR VERDE	GREEN PUSH-BUTTON
OW.362	BOTON PULSADOR AMBAR	ORANGE PUSH-BUTTON
OW.363	BOTON PULSADOR NEGRO	BLACK PUSH-BUTTON
OW.364	PULSADOR NARANJA BOMBA	PUMP ORANGE PUSH
OW.365	PULSADOR NARANJA BOMBA REGENER	REGENERATION PUMP ORANGE PUSH

Componentes eléctricos UNO T,Q,AT,TQ DUE AT,AQ ■ UNO T,Q,AT,TQ DUE AT,AQ Electric components

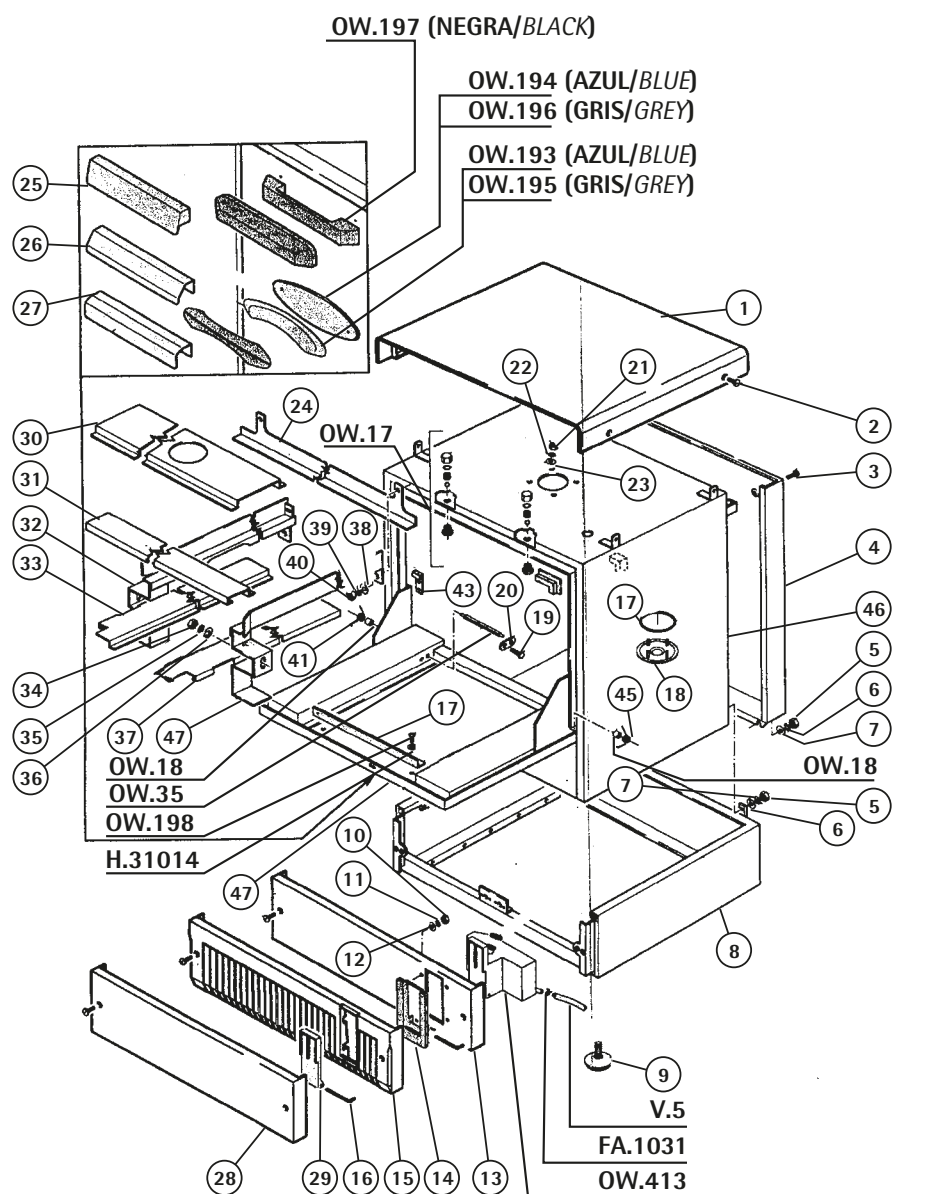


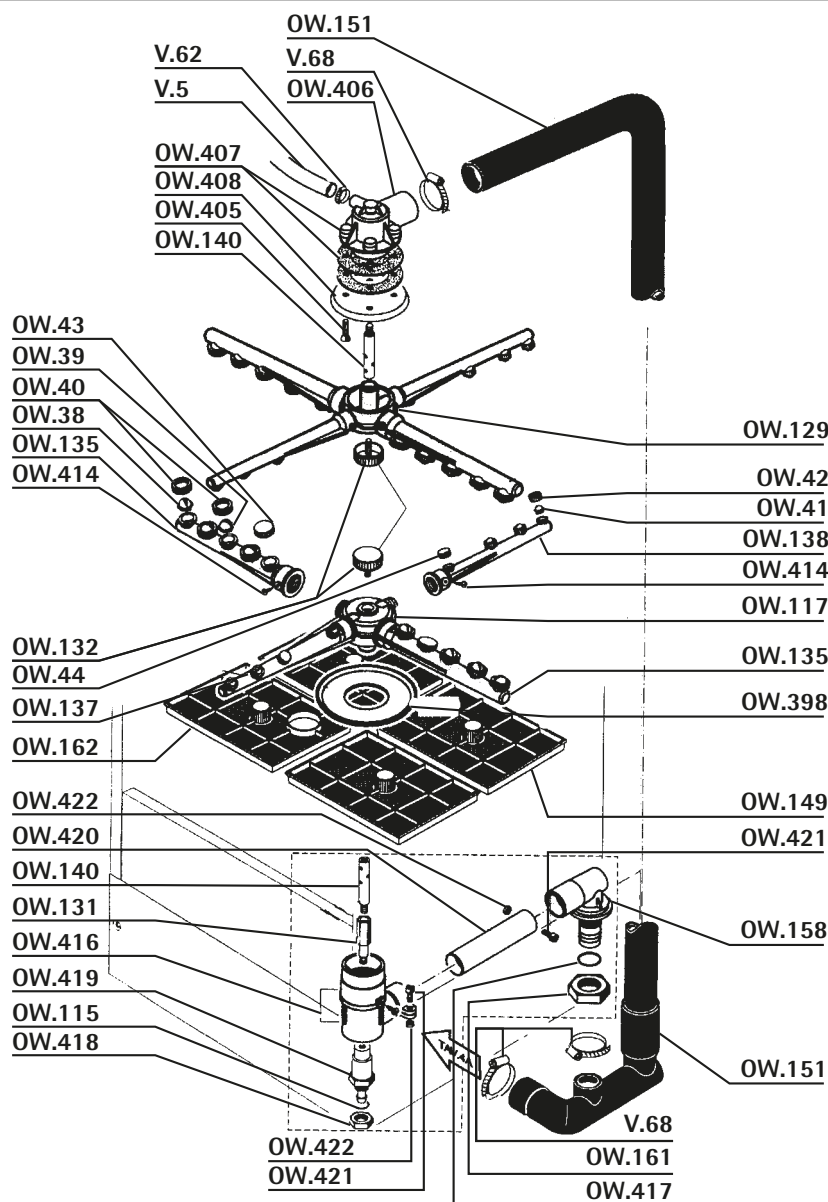
REF.	DESCRIPCIÓN	DESCRIPTION
FA1032	BRIDA	CLASP
OW.11	MICROINTERRUPTOR	MICROSWITCH
OW.47	PRESOSTATO	PRESSURE SWITCH
OW.49	PROGAMADOR REGENERACION	REGENERATION TIME
OW.115	TORICA	RING
OW.147	CODO MICRO PUERTA	DOOR SWITCH ELBOW
OW.153	CUERPO PLASTICO	SUPPORT
OW.154	SEEGER	SEEGER
OW.156	MUELLE	SPRING
OW.187	FILTRO ANTIPARASITARIO	FILTER
OW.188	CONTACTOR 220V	CONTACTOR 220V
OW.344	CONDENSADOR «UNO»	CONDENSER «UNO»
OW.349	TUERCA	NUT
OW.350	ARANDELA ESTRAIDA	WASHER
OW.366	JUNTA	GASKET
OW.368	PROGRAMADOR CICLO	CYCLE TIMER
OW.369	PROGRAMADOR CICLO CS	CYCLE TIMER CS
V...55	CONDENSADOR 10 MF 220V	220V 10MF.CONDENSER
V.448	TUBO PRESOSTATO-METRO 4X6	4X6 PRE.SWITCH INLET PIPE

REF.	DESCRIPCIÓN	DESCRIPTION
OW..16	PROGRAMADOR 3 MICROS 150SEC.	3MICROS 150 SEC.TIMER
OW..23	PROGRAMADOR CICLO	CYCLE TIMER
OW..34	MICROINTERRUPTOR CL	MICROSWITCH
OW.115	TORICA	RING
OW.147	CODO MICRO PUERTA	DOOR SWITCH ELBOW
OW.153	CUERPO PLASTICO	SUPPORT
OW.154	SEEGER	SEEGER
OW.155	VARILLA INOX	INOX ROD
OW.156	MUELLE	SPRING
OW.187	FILTRO ANTIPARASITARIO	FILTER
OW.188	CONTACTOR 220V	CONTACTOR 220V
OW.350	ARANDELA ESTRAIDA	WASHER
OW.351	ARANDELA	WASHER
OW.366	JUNTA	GASKET
OW.367	CONJUNTO MICRO CS	CONJUNTO MICRO CS
OW.369	PROGRAMADOR CICLO CS	CYCLE TIMER CS



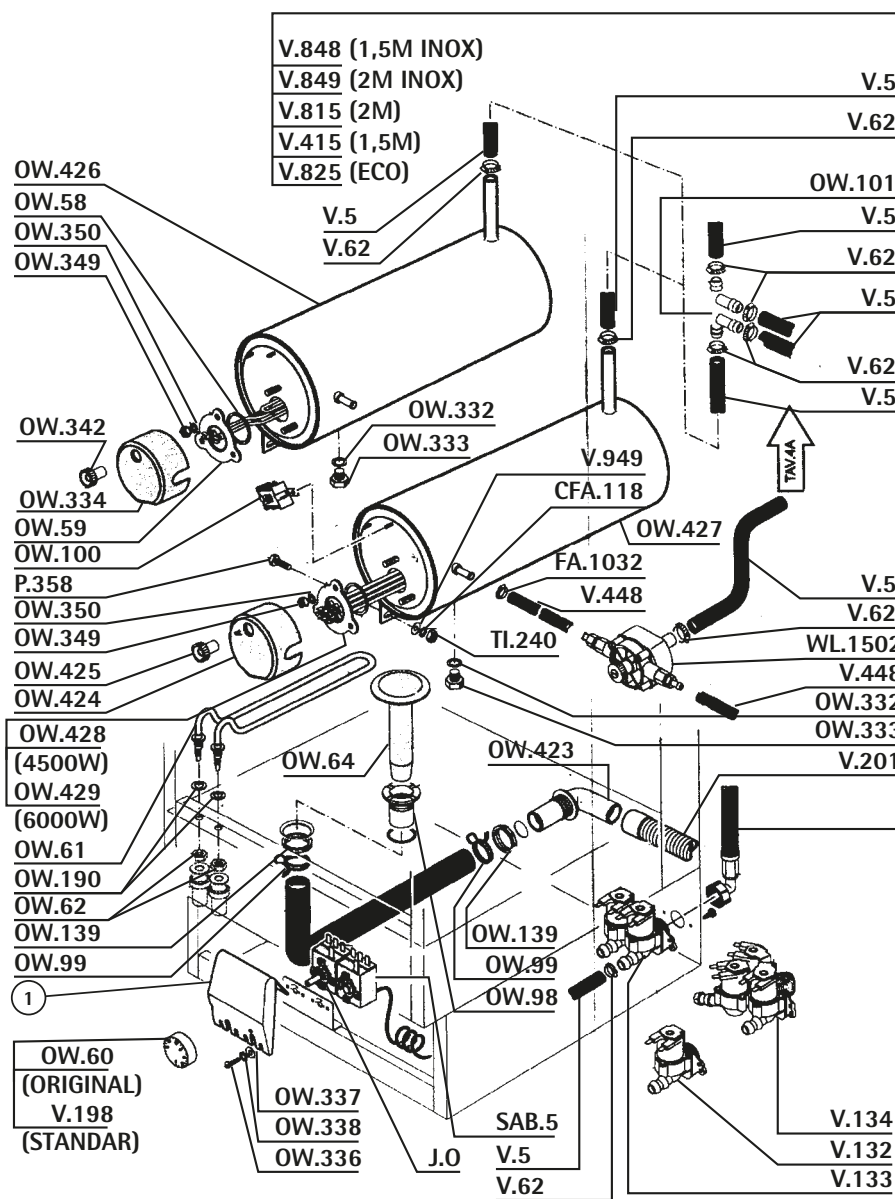
REF.	DESCRIPCIÓN	DESCRIPTION
FA1031	ABRAZADERA INOX 8-16	8-16 INOX CLAMP
H31014	TORICA CIERRE	CLOSING RING
OW..17	CIERRE PUERTA	CLOSING DOOR
OW..18	DISTANCIAL PUERTA	DOOR DISTANCER
OW..35	EJE PUERTA	DOOR ROD
OW.193	MANETA AZUL	BLUE HANDLE
OW.194	EMBELLECEDOR MANETA AZUL	BLUE BACKPLATE HANDLE
OW.195	MANETA GRIS	GREY HANDLE
OW.196	EMBELLECEDOR MANETA GRIS	GREY BACKPLATE HANDLE
OW.197	MANETA ABS NEGRA	BLACK ABS HANDLE
OW.198	TORNILLO MANETA	HANDLE SCREW
OW.413	DEPOSITO ABRILLANTADOR	TANK FOR RINSE INJECTOR
V...5	TUBO GOMA 10X16 20 ATM	20ATM 10X17 RUBBER PIPE





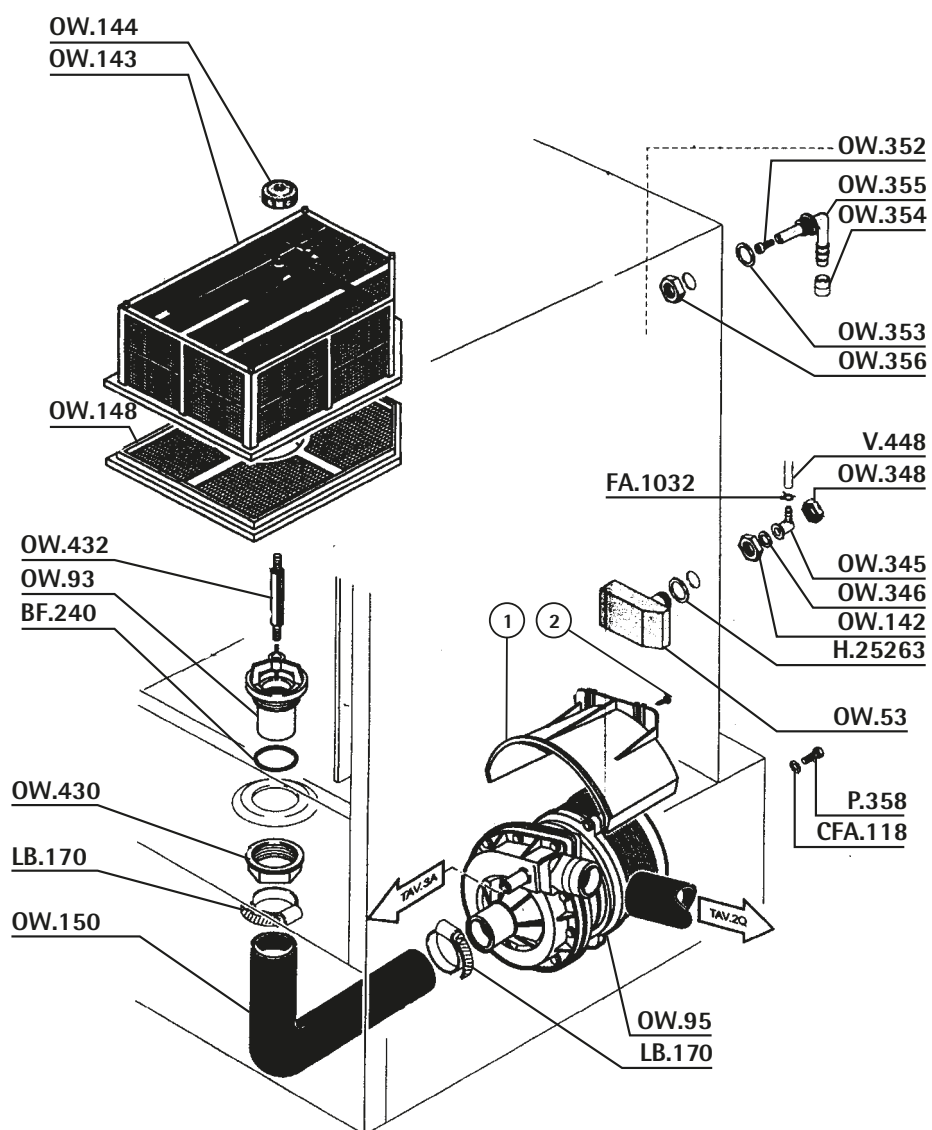
REF.	DESCRIPCIÓN	DESCRIPTION
OW..38	ROCIADOR LAVADO IZQUIERDO	LEFT WASH JET
OW..39	ROCIADOR LAVADO DERECHO	RIGHT WASH JET
OW..40	TAPON ROCIADOR LAVADO	WASH JET CAP
OW..41	ROCIADOR ACLARADO PLASTICO	RINSE JET
OW..42	TUERCA ROCIADOR ACLARADO	NUT JET CAP
OW..43	TAPON CIEGO ROCIADOR LAVADO	WASH JET BLIND CAP
OW..44	TAPON CIEGO ROCIADOR ACL.	RINSE JET BLIND CAP
OW.115	TORICA	RING
OW.117	CRUZ GIRATORIO	GIRATORY CROSSHEAD
OW.129	GIRANTE COMPLETO QUATTRO	QUATTRO COMPLETE GYRATORY
OW.131	PROLONGACION LATON	BRASS EXTENSION
OW.132	TORNILLO FIJACION	FIXATION SCREW
OW.135	ASTA LAVADO IZQUIERDA QUATTRO	QUATTRO LEFT WASH ARM
OW.137	ASTA ACLARADO IZQUIERDA QUATTRO	QUATTRO LEFT RINSE ARM
OW.138	ASTA ACLARADO DERECHA QUATTRO	QUATTRO RIGHT RINSE ARM
OW.140	PERNO INOX UNO-DUE	UNO-DUE INOX BOLT
OW.149	FILTRO CUADRADO	FILTER
OW.151	MANGUITO DISTRIBUIDOR	DISTRIBUTION SLEEVE
OW.158	CODO	ELBOW
OW.161	TUERCA PLASTICO	PLASTIC NUT
OW.162	FILTRO CUADRADO	FILTER
OW.398	DEFLECTOR	DEFLECTOR
OW.405	TORNILLO	SCREW
OW.406	ADAPTADOR	ADAPTOR
OW.407	JUNTA	GASKET
OW.408	PLETINA	BAFFLE PLATE
OW.414	TORNILLO	SCREW
OW.416	SOPORTE INFERIOR	SUPPORT ASSEMBLY
OW.417	JUNTA	GASKET
OW.418	TUERCA	NUT
OW.419	SOPORTE	SUPPORT
OW.420	TUBO INOX	INOX PIPE
OW.421	TORNILLO	SCREWS
OW.422	TORNILLO	NUT
V...5	TUBO GOMA 10X16 20 ATM	20ATM 10X17 RUBBER PIPE
V...62	ABRAZADERA 12-20	12-20 CLAMP
V...68	ABRAZADERA 32-50	35-50 CLAMP
V...68	ABRAZADERA 32-50	35-50 CLAMP

Calderín QUATTRO T / 82-Q82 ■ T / 82-Q / 82 QUATTRO Boiler 1394

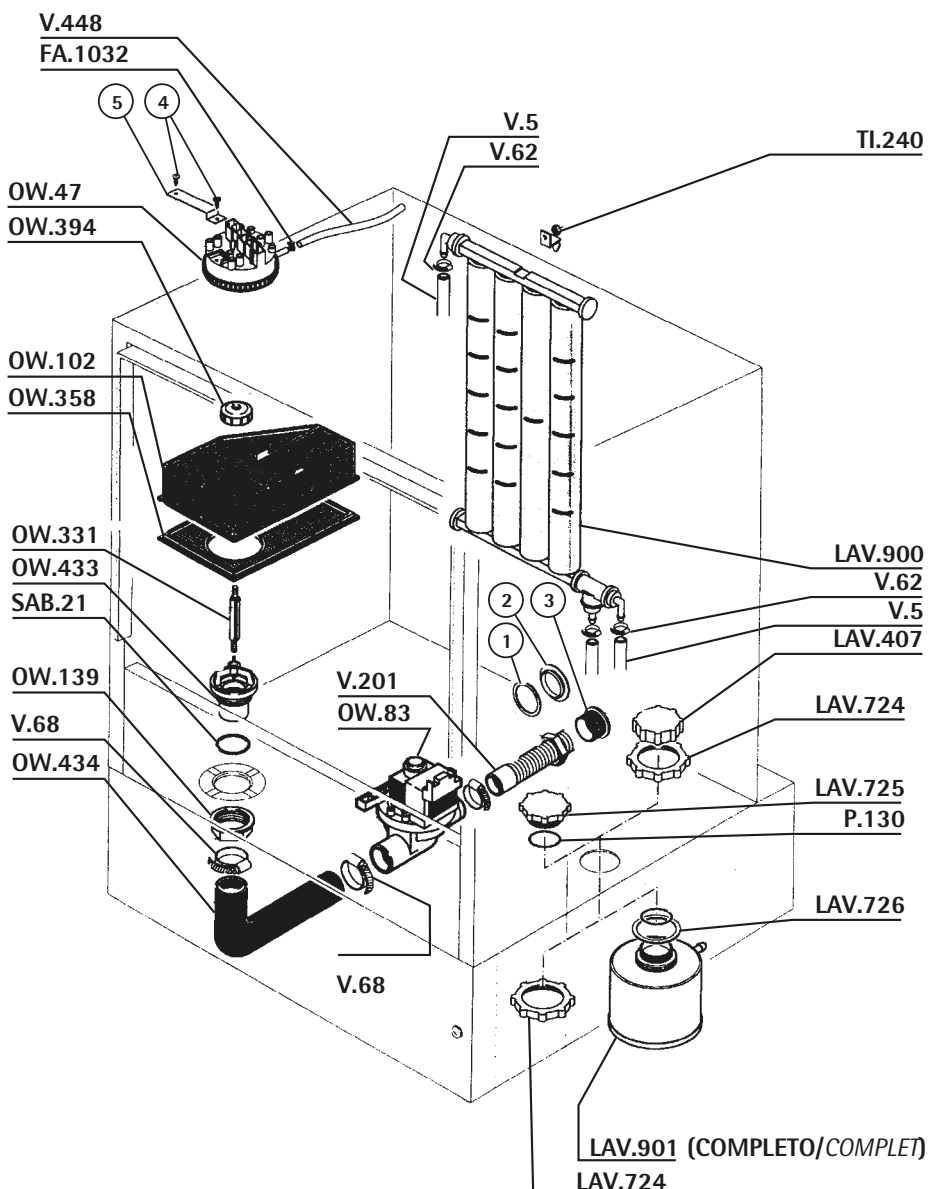


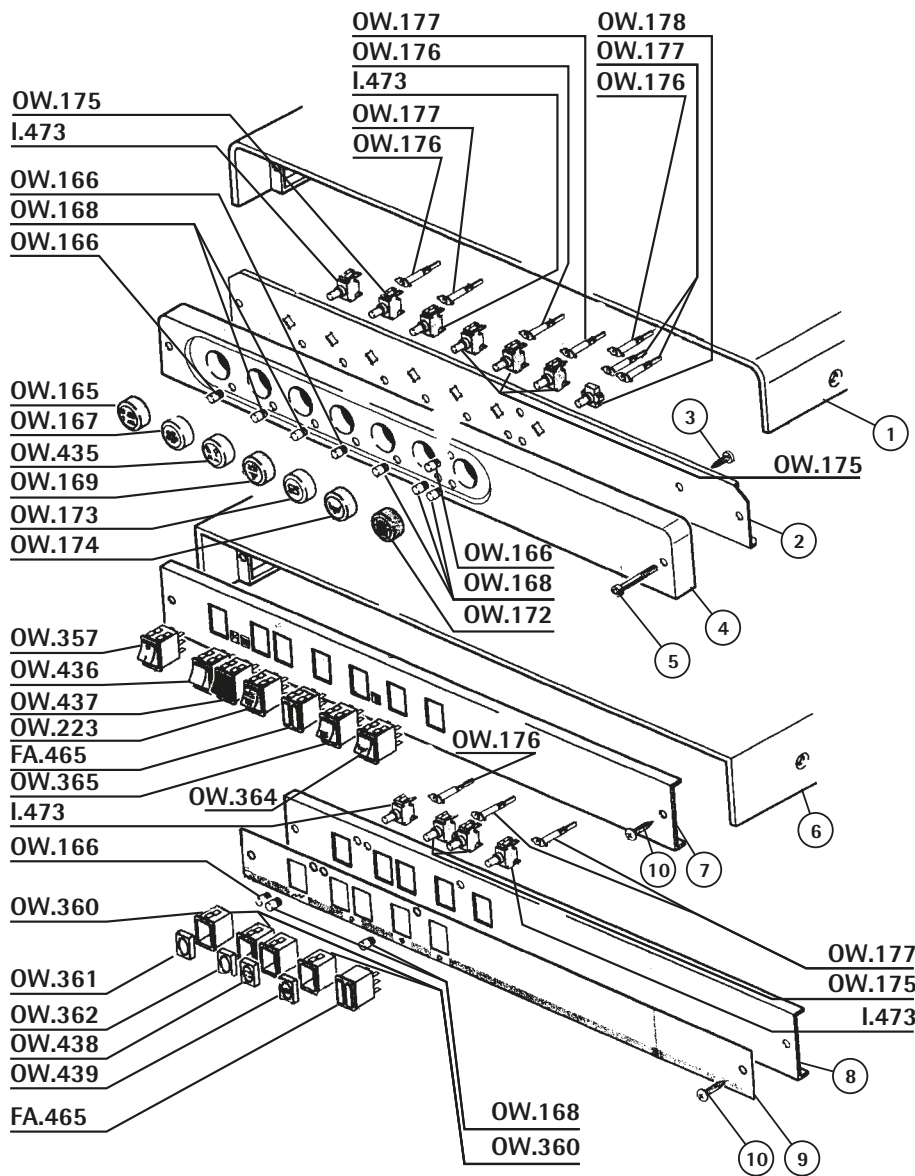
REF.	DESCRIPCIÓN	DESCRIPTION
CFA118	ARANDELA ESTRIADA	WASHER
FA1032	BRIDA	CLASP
J...0	TERMOSTATO 0-90°	0-90° THERMOSTAT
OW..58	JUNTA RESIST.SILICONA	RESISTANCE GASKET
OW..59	RESISTENCIA 3000W 230V	3000W/220V RESISTANCE
OW.60	MANDO TERMOSTATO	THERMOSTAT HANDLE
OW..61	RESISTEN.CUBA 2500W/230V	TANK RESISTANCE
OW..62	TUERCA RESISTENCIA	RESISTANCE NUT
OW..64	SOBRENIVEL	OVERFLOW
OW..98	PIPETA DESAGÜE	OUTLET PIPE
OW..99	ABRAZADERA MUELLE	SPRING CLAMP
OW.100	TERMOSTATO SEGURIDAD 100°	SAFETY THERMOSTAT 100°
OW.101	RACOR 4 VIAS	RACOR 4 VIAS
OW.139	TUERCA PLASTICO	NUT
OW.190	ARANDELA INOX 12MM	12MM INOX WASHER
OW.332	JUNTA	GASKET
OW.333	TAPON	CAP
OW.334	TAPON RESISTENCIA	RESISTANCE LID
OW.336	TORNILLO	SCREW
OW.337	ARANDELA	WASHER
OW.338	ARANDELA ESTRIADA	WASHER
OW.342	TUERCA PROTECTOR	LOOKING PROTECTION NUT
OW.349	TUERCA	NUT
OW.350	ARANDELA ESTRAIDA	WASHER
OW.423	CODO	ELBOW
OW.424	TAPA RESISTENCIA	RESISTANCE LID
OW.425	TORNILLO	SCREW
OW.426	CALDERIN MONOFASE	MONOPHASE BOILER
OW.427	CALDERIN TRIFASE	TRIPHASE BOILER
OW.428	RESISTENCIA 4500W	RESISTANCE 4500W
OW.429	RESISTENCIA 6000W	RESISTANCE 6000W
P.358	TORNILLO	SCREW
SAB..5	TERMOSTATO SEGURIDAD 60°	60° THERMOSTAT
TI.240	TUERCA M6	M-6 NUT
V...5	TUBO GOMA 10X16 20 ATM	20ATM 10X17 RUBBER PIPE
V...62	ABRAZADERA 12-20	12-20 CLAMP
V.132	ELECTROVAL.1 VIA LAV.220V	WASH 1 WAY 220V SOLENOID
V.133	ELECTROVAL.2 VIA LAV.220V	WASH 2 WAYS 220V SOLENOID
V.134	ELECTROVAL.3 VIA LAV.220V	WASH 3 WAYS 220V SOLENOID
V.198	MANDO TERMOSTATO 90°	90° THERMOSTAT HANDLE
V.201	TUBO DESAGÜE 28mm. 1,5mt.	28mm. 1.5mt OUTLET PIPE
V.415	TOMA LAVADORA 1,5M	QUALITY 1.5M INLET W.FLEX
V.448	TUBO PRESOSTATO-METRO 4X6	4X6 PRE.SWITCH INLET PIPE
V.815	TOMA LAVADORA 2 METROS	2 MT.INLET WATER FLEXIBLE
V.825	TOMA LAVADORA 1.5 «ECO»	«ECO»1.5M INLET WA.FLEXIB
V.848	TOMA LAVADORA 1.5M INOX	INOX 1.5M INLET WATER FL.
V.849	TOMA LAV. INOX 2MT.3/4X3/4	INOX 2MT.INLET WATER FLE.
V.949	ARANDELA INOX M6	M6 INOX WASHER
WL1502	DOSIFICADOR ABRILLANTADOR	RINSE AID DOSIMETER

REF.	DESCRIPCIÓN	DESCRIPTION
BF.240	TORICA EPDM	RING
CFA.118	ARANDELA ESTRIADA	WASHER
FA.1032	BRIDA	CLASP
H.25263	JUNTA CIERRE GOMA	CLOSING RUBBER GASKET
LB.170	ABRAZADERA 40-60	40-60 CLAMP
OW..53	CAMARA PRESOSTATICA	PRESSURE SWITCH CHAMBER
OW..93	PIPETA ASPIRACION	SUCTION PIPE
OW..95	MOTOBOMBA QUATTRO/ERGON	QUATTRO WASHING PUMP
OW.142	TUERCA CAMARA PRESOSTATICA	PRESSURE SWITCH CHAMBER NUT
OW.143	FILTRO SUPERIOR QUATTRO	UPPER QUATTRO FILTER
OW.144	TUERCA FILTRO	FILTER NUT
OW.148	FILTRO INFERIOR QUATTRO	QUATTRO LOWER FILTER
OW.150	CODO ASPIRACION	SUCTION ELBOW
OW.345	CODO	ELBOW
OW.346	JUNTA	GASKET
OW.348	RACOR	FITTING
OW.352	TORNILLO	SCREW
OW.353	JUNTA	GASKET
OW.354	CONECTOR	CONECTOR
OW.355	CODO	ELBOW
OW.356	TUERCA	NUT
OW.430	TUERCA	NUT
OW.432	EJE FILTRO	FILTER ROD
P.358	TORNILLO	SCREW
V..448	TUBO PRESOSTATO-METRO 4X6	4X6 PRE.SWITCH INLET PIPE



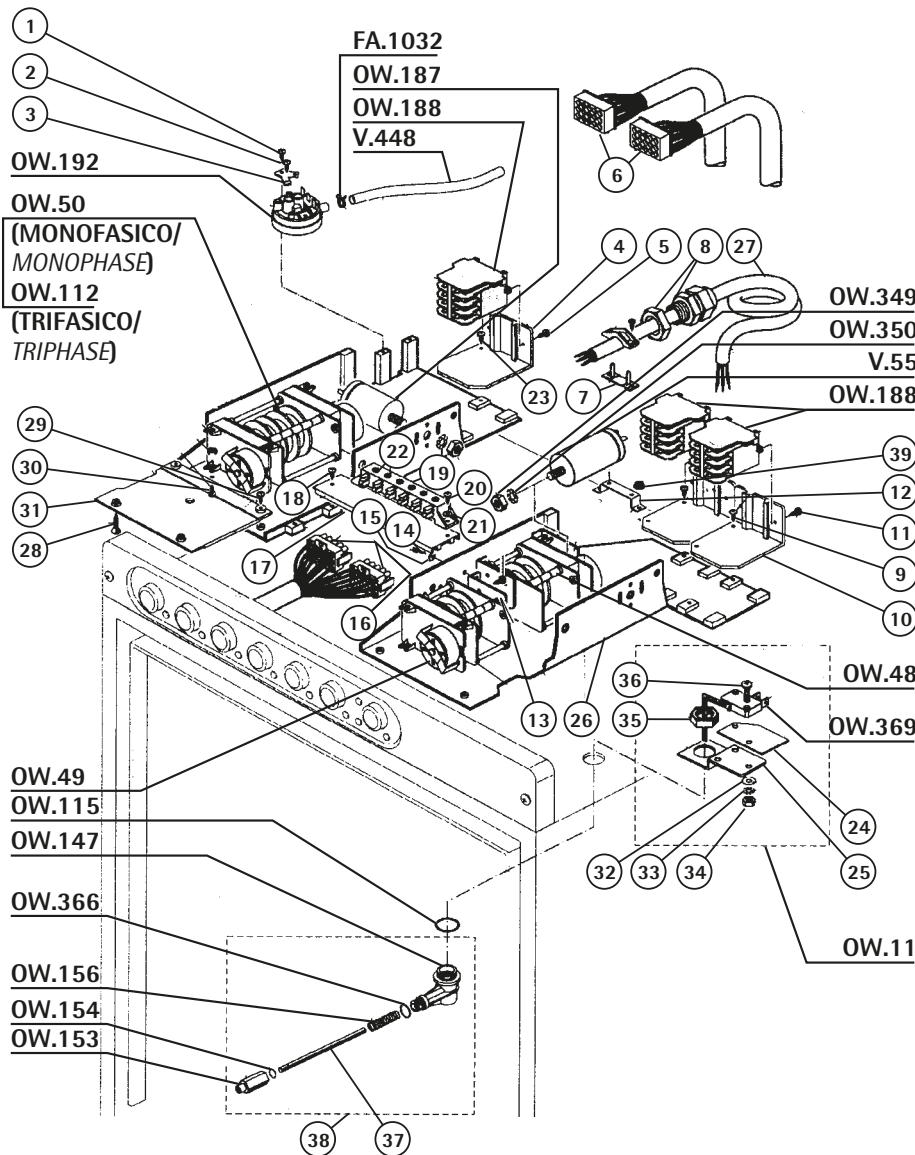
REF.	DESCRIPCIÓN	DESCRIPTION
FA.1032	BRIDA	CLASP
LAV.407	TAPON DEPOSITO SAL	SALT TANK CAP
LAV.724	TUERCA DEPOSITO SAL	SALT CONTAINER NUT
LAV.725	TAPON BOTELLA SAL	SALT BOTTLE CAP
LAV.726	JUNTA GOMA BOTELLA SAL	BOTTLE SALT RUBBER GASKET
LAV.900	DEPURADOR LAVATAZAS	WASHING CUP PURIFIER
LAV.901	DEPOSITO SAL COMPLETO	SALT CONTAINER
OW..47	PRESOSTATO	PRESSURE SWITCH
OW..83	BOMBA DESAGÜE	OUTLET PUMP
OW.102	FILTRO CUBA	TANK FILTER
OW.139	TUERCA PLASTICO	NUT
OW.331	EJE	ROD
OW.358	TAPA FILTRO	FILTER LID
OW.394	TUERCA FILTRO	FILTER NUT
OW.433	SOPORTE EJE	ROD SUPPORT
OW.434	MANGUITO	SLEEVE
P..130	TORICA EPDM	RING
SAB.21	TORICA GOMA	RUBBER RING
TI.240	TUERCA M6	M-6 NUT
V...5	TUBO GOMA 10X16 20 ATM	20ATM 10X17 RUBBER PIPE
V...62	ABRAZADERA 12-20	12-20 CLAMP
V...68	ABRAZADERA 32-50	35-50 CLAMP
V..201	TUBO DESAGÜE 28mm. 1,5mt.	28mm. 1.5mt OUTLET PIPE
V..448	TUBO PRESOSTATO-METRO 4X6	4X6 PRE.SWITCH INLET PIPE





REF.	DESCRIPCIÓN	DESCRIPTION
FA.465	PILOTO DOBLE AMBAR-VERDE	YELLOW-GREEN WARNING LAMP
I.473	INTERRUPTOR BIPOLAR	TWO POLES SWITCH
OW.165	PULSADOR BOTON 0/1 VERDE	GREEN PUSH-BUTTON 0/1
OW.166	PILOTO VERDE 6MM	6MM GREEN PILOT
OW.167	BOTON PULSADOR CICLO	CYCLE PUSH-BUTTON
OW.168	PILOTO AMBAR 6MM	6MM ORANGE PILOT
OW.169	BOTON PULSADOR ACLARADO FRIO	WASHING PUSH-BUTTON
OW.172	BOTON PULSADOR RESISTENCIA	RESSITANCE PUSH-BUTTON CAP
OW.173	BOTON PULSADOR REGENERACION	REGENERATION PUSH-BUTTON CAP
OW.174	BOTON PULSADOR BOMBA DESAGÜE	OUTLET PUMP PUSH-BUTTON
OW.175	PULSADOR CICLO LAVADO	WASH CYCLE PUSH-BUTTON
OW.176	LAMPARA VERDE TESTIGO 6MM	6MM GREEN PILOT
OW.177	LAMPARA NARANJA TESTIGO 6MM	6MM ORANGE PILOT
OW.178	SOPORTE PULSADOR 25MM	25MM PUSH-BUTTON SUPPORT
OW.223	PULSADOR VERDE	GREEN PUSH
OW.357	INTERRUPTOR ON-OFF	SWITCH ON-OFF
OW.360	CUERPO INTERRUPTOR	SWITCH BODY
OW.361	BOTON PULSADOR VERDE	GREEN PUSH-BUTTON
OW.362	BOTON PULSADOR AMBAR	ORANGE PUSH-BUTTON
OW.364	PULSADOR NARANJA BOMBA	PUMP ORANGE PUSH
OW.365	PULSADOR NARANJA BOMBA REGENER	REGENERATION PUMP ORANGE PUSH
OW.435	BOTON LENTO/RAPIDO	SLOW/DOWN ORANGE ROUND BUTTON
OW.436	PULSADOR CICLO QUATTRO	START BUTTON CYCLE
OW.437	INTERRUPTOR TIEMPO	SWITCH TIME
OW.438	BOTON LENTO/RAPIDO	SLOW/DOWN PUSH BUTTON
OW.439	BOTON REGENERACION	ORANGE PUSH KEY RESTORE

Componentes eléctricos QUATTRO T / 82-Q 82 ■ T / 82-Q / 82 QUATTRO Electric components



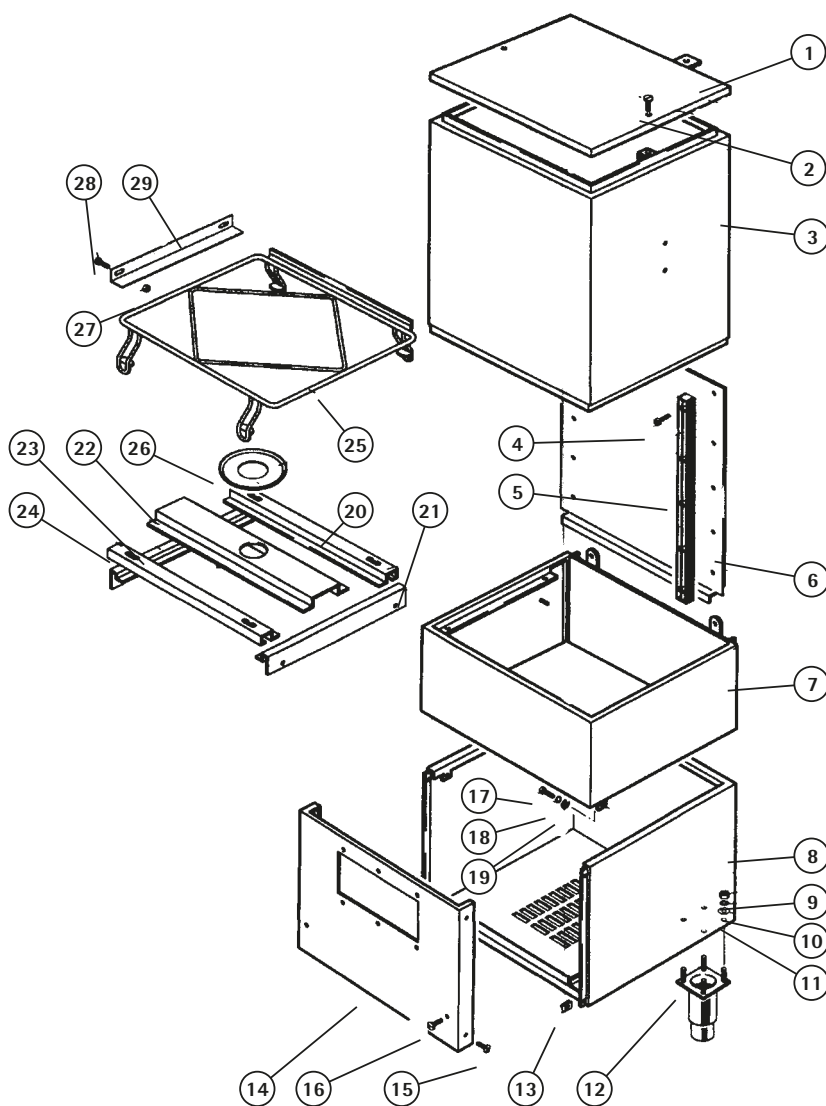
REF.	DESCRIPCIÓN	DESCRIPTION
FA.1032	BRIDA	CLASP
OW.11	MICROINTERRUPTOR	MICROSWITCH
OW.48	PROGRAMADOR BOMBA DESAGÜE	OUTLET PUMP TIMER
OW.49	PROGRAMADOR REGENERACION	REGENERATION TIME
OW.50	TEMPORIZADOR CICLO	CYCLE TIMER
OW.112	PROGRAMADOR QUATTRO MONOFASICO	SINGLE-PHASE QUATTRO TIMER
OW.115	TORICA	RING
OW.147	CODO MICRO PUERTA	DOOR SWITCH ELBOW
OW.153	CUERPO PLASTICO	SUPPORT
OW.154	SEEGER	SEEGER
OW.156	MUELLE	SPRING
OW.188	CONTACTOR 220V	CONTACTOR 220V
OW.192	PRESOSTATO 1 NIVEL	1 LEVEL PRESSURE SWITCH
OW.187	FILTRO	FILTER
OW.349	TUERCA	NUT
OW.350	ARANDELA ESTRAIDA	WASHER
OW.366	JUNTA	GASKET
OW.369	PROGRAMADOR CICLO CS	CYCLE TIMER CS
V..55	CONDENSADOR 10 MF 220V	220V 10MF.CONDENSER
V.448	TUBO PRESOSTATO-METRO 4X6	4X6 PRE.SWITCH INLET PIPE

¿Tiene alguna duda?
LLÁMENOS

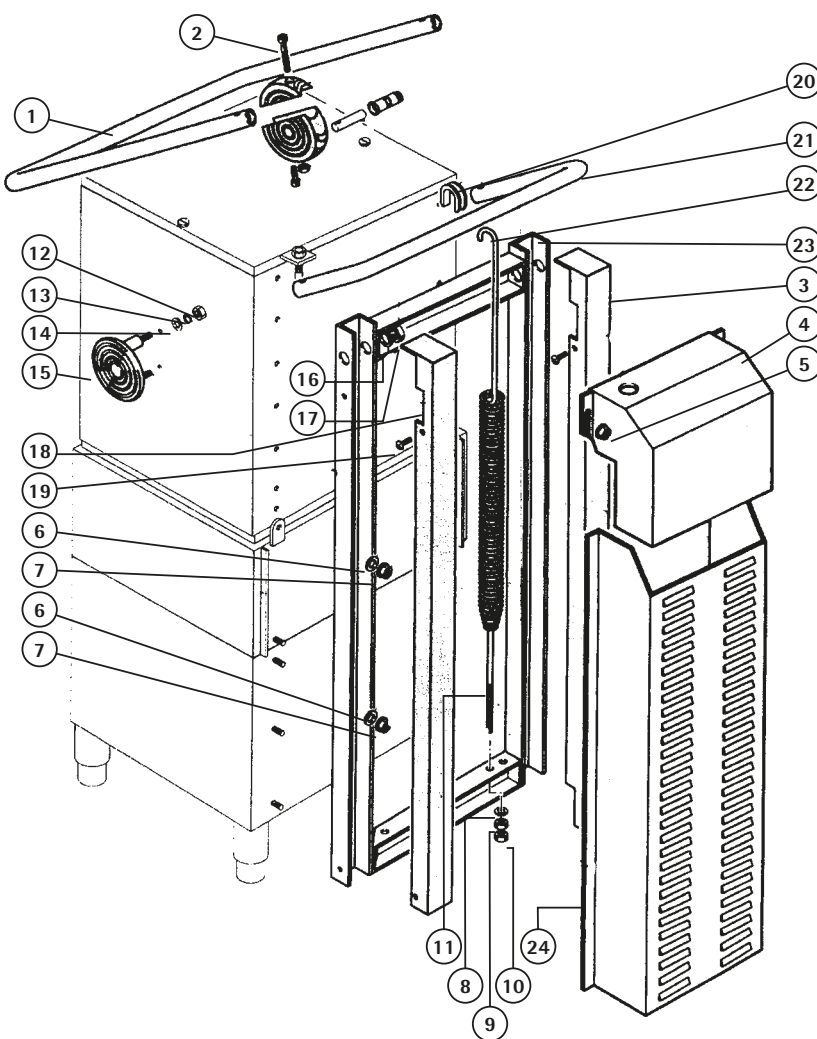


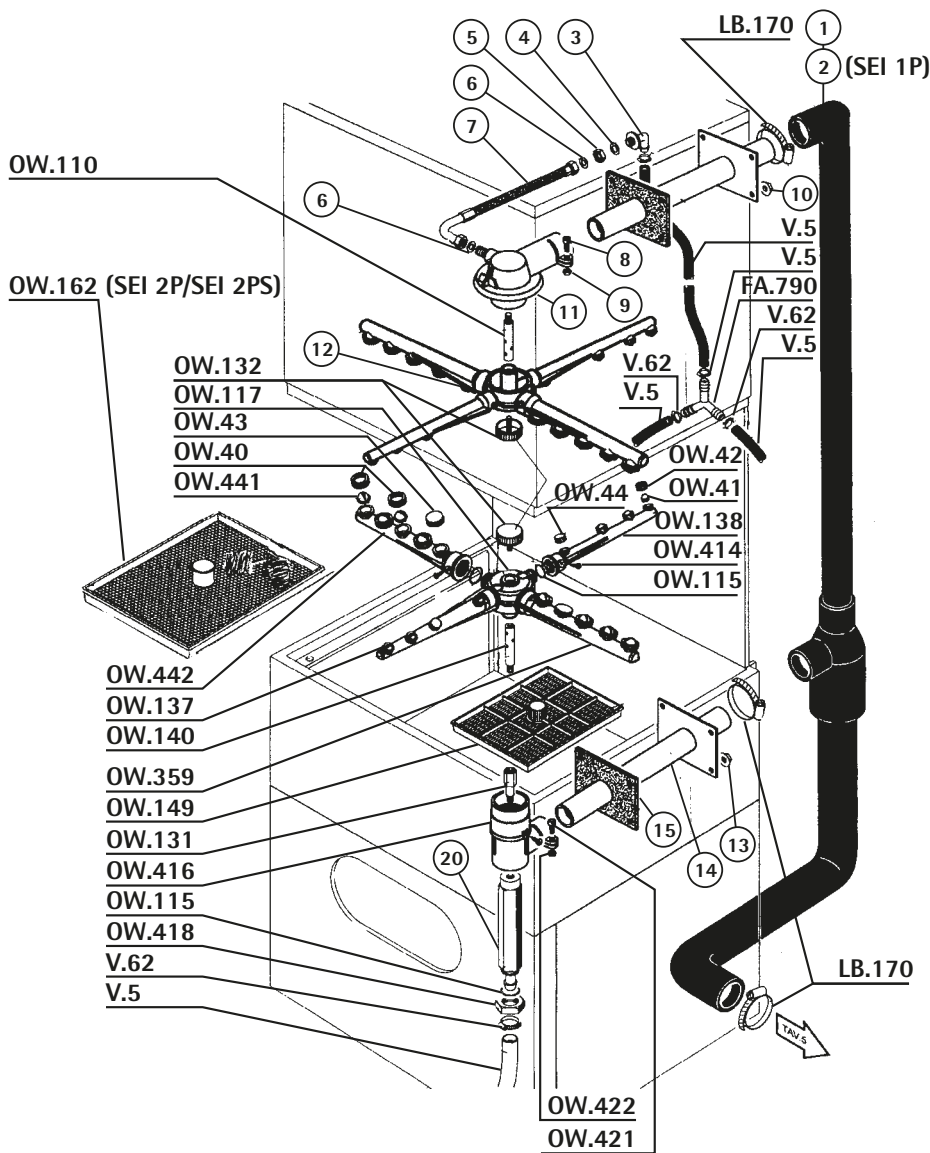
Tel: 93 377 64 11
Fax: 93 377 98 03
ascaso@ascaso.com

REF.	DESCRIPCIÓN	DESCRIPTION

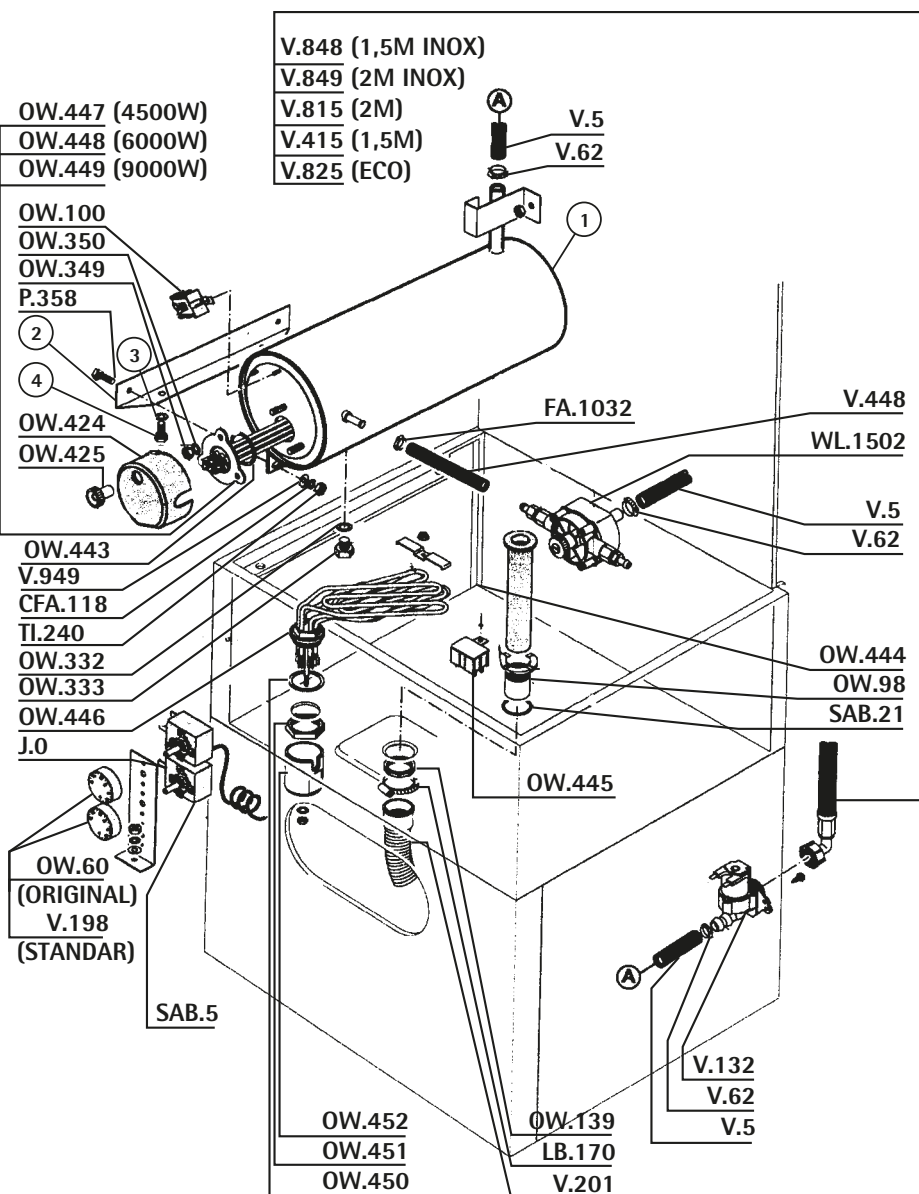


REF.	DESCRIPCIÓN	DESCRIPTION



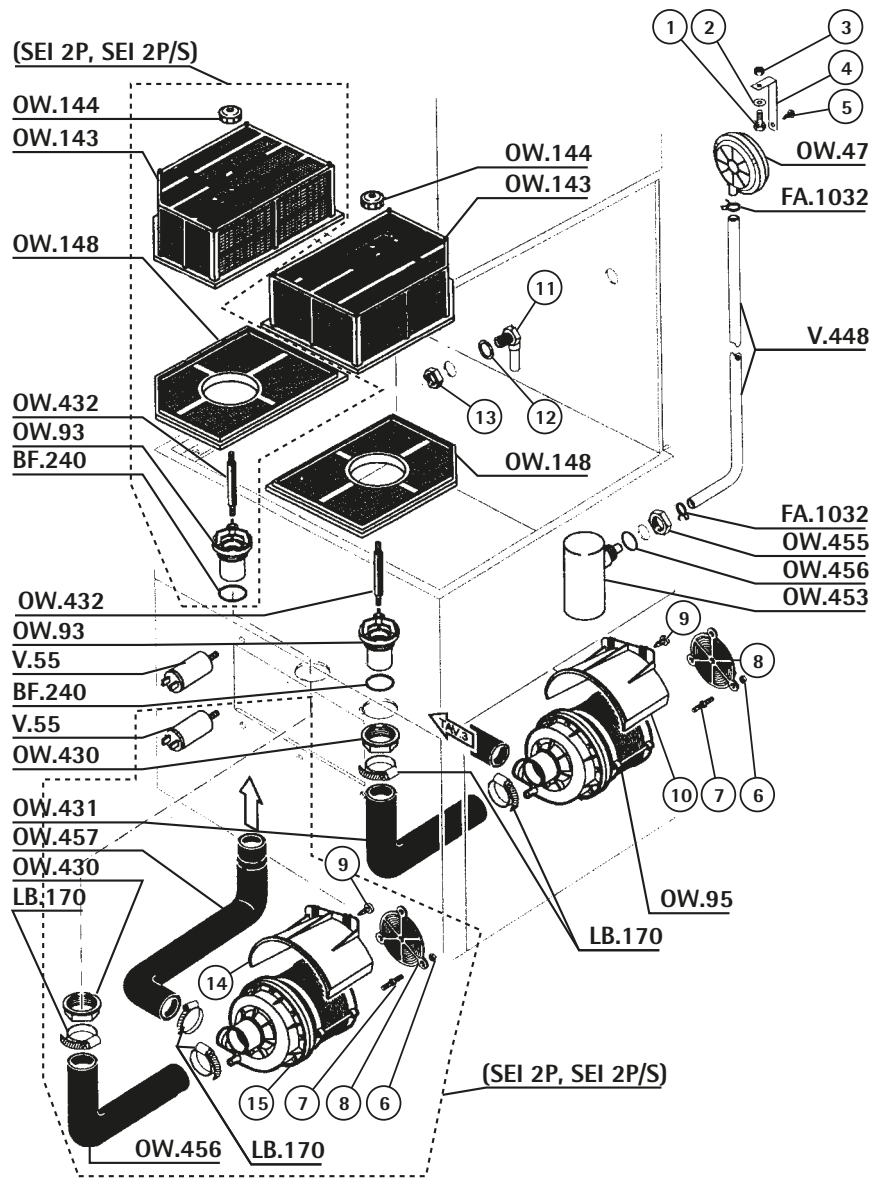


REF.	DESCRIPCIÓN	DESCRIPTION
FA.790	RACOR Y	Y FITTING
LB.170	ABRAZADERA 40-60	40-60 CLAMP
OW.40	TAPON ROCIADOR LAVADO	WASH JET CAP
OW.41	ROCIADOR ACLARADO PLASTICO	RINSE JET
OW.42	TUERCA ROCIADOR ACLARADO	NUT JET CAP
OW.43	TAPON CIEGO ROCIADOR LAVADO	WASH JET BLIND CAP
OW.44	TAPON CIEGO ROCIADOR ACL.	RINSE JET BLIND CAP
OW.110	EJE GIRATORIO	GYRATORY ROD
OW.115	TORICA	RING
OW.117	CRUZ GIRATORIO	GIRATORY CROSSHEAD
OW.131	PROLONGACION LATON	BRASS EXTENSION
OW.132	TORNILLO FIJACION	FIXATION SCREW
OW.137	ASTA ACLARADO IZQUIERDA QUATTR	QUATTRO LEFT RINSE ARM
OW.138	ASTA ACLARADO DERECHA QUATTRO	QUATTRO RIGHT RINCE ARM
OW.140	PERNO INOX UNO-DUE	UNO-DUE INOX BOLT
OW.149	FILTRO CUADRADO	FILTER
OW.162	FILTRO CUADRADO	FILTER
OW.359	BRAZO GIRATORIO	PLASTIC WASHING ARM
OW.414	TORNILLO	SCREW
OW.416	SOPORTE INFERIOR	SUPPORT ASSEMBLY
OW.418	TUERCA	NUT
OW.421	TORNILLO	SCRES
OW.422	TORNILLO	NUT
OW.441	ROCIADOR	LEFT WIDE WASHING JET
OW.442	BRAZO GIRATORIO	PLASTIC WASHING ARM
V....5	TUBO GOMA 10X16 20 ATM	20ATM 10X17 RUBBER PIPE
V...62	ABRAZADERA 12-20	12-20 CLAMP

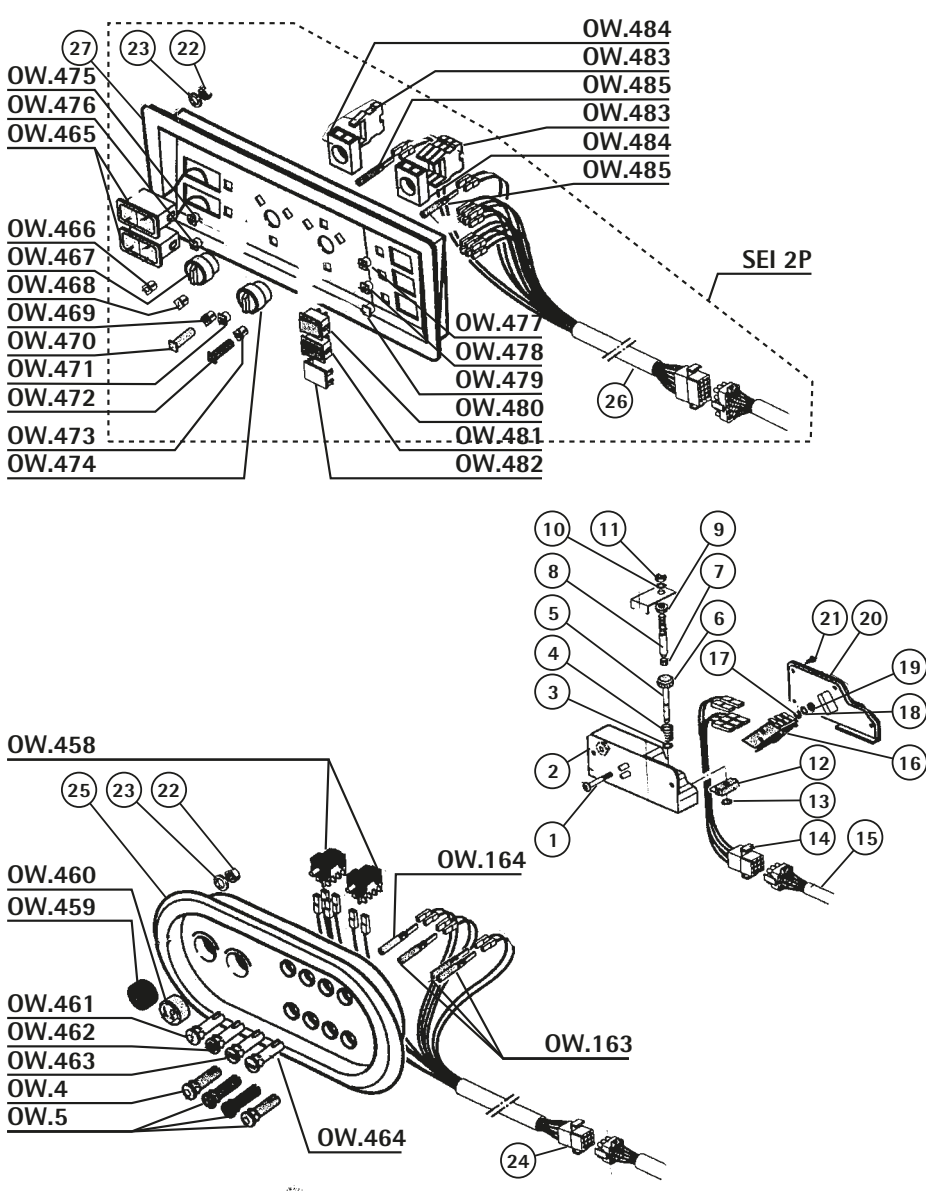


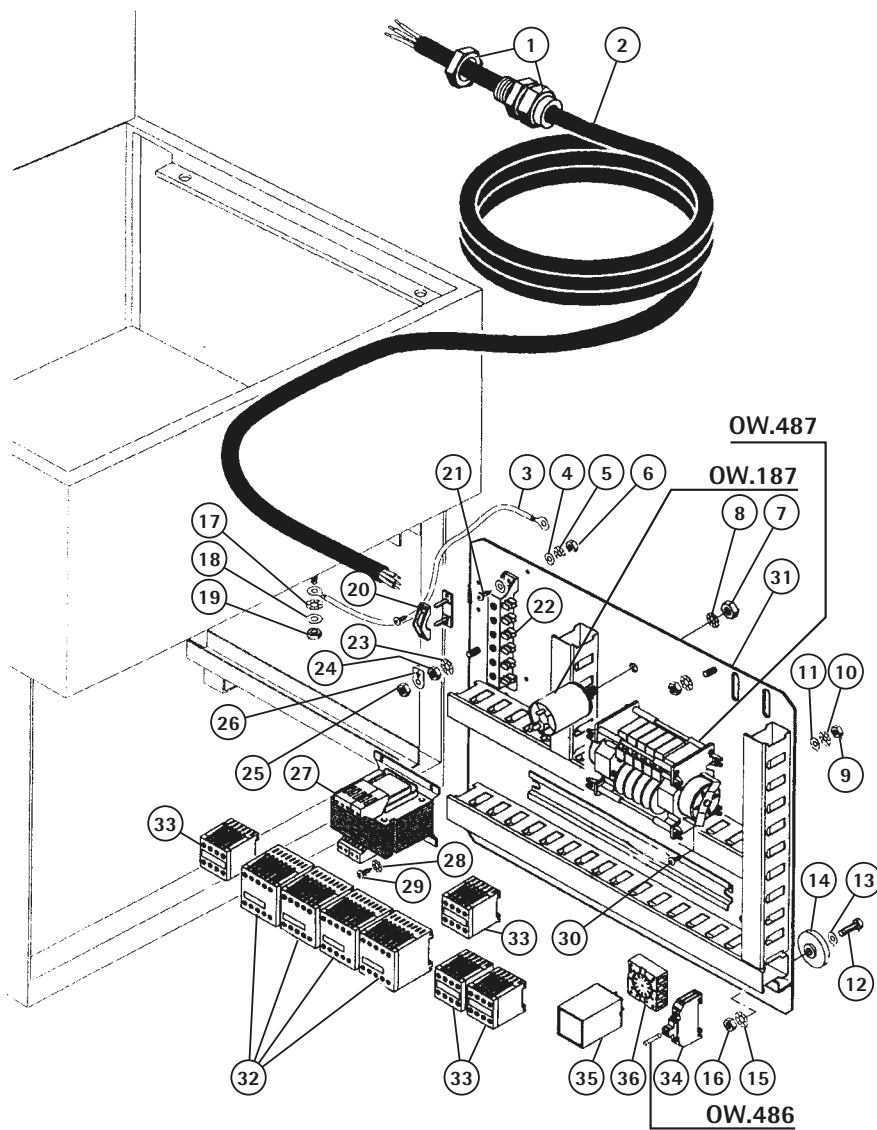
REF.	DESCRIPCIÓN	DESCRIPTION
CFA118	ARANDELA ESTRIADA	WASHER
FA1032	BRIDA	CLASP
J....0	TERMOSTATO 0-90°	0-90° THERMOSTAT
LB.170	ABRAZADERA 40-60	40-60 CLAMP
OW.60	MANDO TERMOSTATO	THERMOSTAT HANDLE
OW.98	PIPETA DESAGÜE	OUTLET PIPE
OW.100	TERMOSTATO SEGURIDAD 100°	SAFETY THERMOSTAT 100°
OW.139	TUERCA PLASTICO	NUT
OW.332	JUNTA	GASKET
OW.333	TAPON	CAP
OW.349	TUERCA	NUT
OW.350	ARANDELA ESTRAIDA	WASHER
OW.424	TAPA RESISTENCIA	RESISTANCE LID
OW.425	TORNILLO	SCREW
OW.443	JUNTA RESISTENCIA	RESISTANCE GASKET
OW.444	REBOSADERO	DRAIN PLUG
OW.445	TERMOSTATO SEGURIDAD	SAFETY THERMOSTAT
OW.446	RESISTENCIA CUBA	TANK RESISTANCE
OW.447	RESISTENCIA 4500W	RESISTANCE 4500W
OW.448	RESISTENCIA 6000W	RESISTANCE 6000W
OW.449	RESISTENCIA 9000W	RESISTANCE 9000W
OW.450	JUNTA RESISTENCIA	RESISTANCE GASKET
OW.451	TUERCA RESISTENCIA	RESISTANCE NUT
OW.452	TAPA RESISTENCIA	HEATING ELEMENT PROTECTION
P.358	TORNILLO	SCREW
SAB.5	TERMOSTATO SEGURIDAD 60°	60° THERMOSTAT
SAB.21	TORICA GOMA	RUBBER RING
TI.240	TUERCA M6	M-6 NUT
V....5	TUBO GOMA 10X16 20 ATM	20ATM 10X17 RUBBER PIPE
V...62	ABRAZADERA 12-20	12-20 CLAMP
V.132	ELECTROVAL.1 VIA LAV.220V	WASH 1 WAY 220V SOLENOID
V.198	MANDO TERMOSTATO 90°	90° THERMOSTAT HANDLE
V.201	TUBO DESAGÜE 28mm. 1,5mt.	28mm. 1.5mt OUTLET PIPE
V.415	TOMA LAVADORA 1,5M	QUALITY 1.5M.INLET W.FLEX
V.448	TUBO PRESOSTATO-METRO 4X6	4X6 PRE.SWITCH INLET PIPE
V.815	TOMA LAVADORA 2 METROS	2 MT.INLET WATER FLEXIBLE
V.825	TOMA LAVADORA 1.5 «ECO»	«ECO»1.5M INLET WA.FLEXIB
V.848	TOMA LAVADORA 1.5M INOX	INOX 1.5M INLET WATER FL.
V.849	TOMA LAV.INOX 2MT.3/4X3/4	INOX 2MT.INLET WATER FLE.
V.949	ARANDELA INOX M6	M6 INOX WASHER
WL1502	DOSIFICADOR ABRILLANTADOR	RINSE AID DOSIMETER

REF.	DESCRIPCIÓN	DESCRIPTION
BF.240	TORICA EPDM	RING
FA1032	BRIDA	CLASP
LB.170	ABRAZADERA 40-60	40-60 CLAMP
OW..47	PRESOSTATO	PRESSURE SWITCH
OW..93	PIPETA ASPIRACION	SUCTION PIPE
OW..95	MOTOBOMBA QUATTRO/ERGON	QUATTRO WASHING PUMP
OW.143	FILTRO SUPERIOR QUATTRO	UPPER QUATTRO FILTER
OW.144	TUERCA FILTRO	FILTER NUT
OW.148	FILTRO INFERIOR QUATTRO	QUATTRO LOWER FILTER
OW.430	TUERCA	NUT
OW.431	MANGUITO	SLEEVE
OW.432	EJE FILTRO	FILTER ROD
OW.453	CAMARA PRESOSTATICA	AIR VESSEL
OW.455	TUERCA	NUT
OW.456	MANGUITO	SLEEVE
OW.457	MANGUITO	SLEEVE
V...55	CONDENSADOR 10 MF 220V	220V 10MF.CONDENSER
V..448	TUBO PRESOSTATO-METRO 4X6	4X6 PRE.SWITCH INLET PIPE

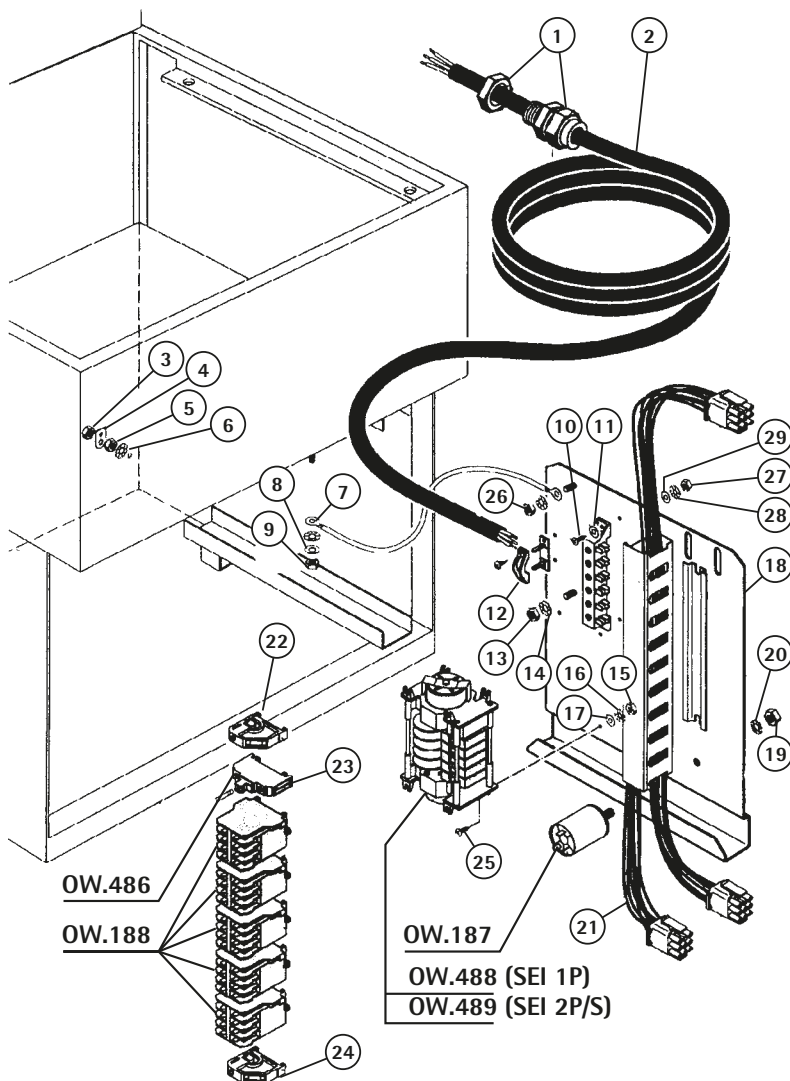


REF.	DESCRIPCIÓN	DESCRIPTION
OW...4	PLASTICO LAMPARA VERDE	GREEN COVER
OW...5	PLASTICO LAMPARA AMBAR	ORANGE COVER
OW.163	PILOTO NARANJA RESISTENC.230V	230V RESISTANCE ORANGE PILOT
OW.164	PILOTO VERDE RESISTENCIA 230V	230V RESISTANCE GREEN PILOT
OW.458	INTERRUPTOR	SWITCH
OW.459	BOTON INTERRUPTOR 0-1	SWITCH KNOB 0-1
OW.460	BOTÓN INTERRUPTOR CICLO	CYCLE SWITCH KNOB
OW.461	SIMBOLO 0-1	0-1 SYMBOL
OW.462	SIMBOLO CICLO	CYCLE SYMBOL
OW.463	SIMBOLO CALDERIN	BOILER SYMBOL
OW.464	SIMBOLO TANQUE	TANK SYMBOL
OW.465	TERMOMETRO	THERMOMETER
OW.466	SIMBOLO «0»	«0» SYMBOL
OW.467	BOTON INTERRUPTOR	MAIN SWITCH
OW.468	SIMBOLO «1»	«1» SYMBOL
OW.469	PILOTO CICLO CORTO 1½ SIMBOLO	SHORT CYCLE 1½ SYMBOL
OW.470	PILOTO MARCHA-PARO	ON-OFF WARMING LIGHT
OW.471	SIMBOLO CICLO LARGO 3½	LONG CYCLE 3½ SYMBOL
OW.472	PILOTO CICLO	CYCLE WARMING LIGHT
OW.473	SIMBOLO CICLO MEDIO 2½	MEDIUM CYCLE 2½ SYMBOL
OW.474	BOTON SELECTRO CICLO	CYCLE SELECTOR
OW.475	SIMBOLO CALDERIN	BOILER SYMBOL
OW.476	SIMBOLO TANQUE	TANK SYMBOL
OW.477	SIMBOLO LAVADO MANUAL	MANUAL WASHING SYMBOL
OW.478	SIMBOLO ACLARADO MANUAL	MANUAL RINSE SYMBOL
OW.479	TAPON NEUTRAL	SMALL NEUTRAL PLUG
OW.480	INTERRUPTOR LAVADO	WASHING SWITCH
OW.481	PULSADOR ACLARADO	RINSE PUSH
OW.482	TAPA NEUTRAL	BIG NEUTRAL PLUG
OW.483	N-O CONTACTOR	N-O CONTACT
OW.484	N-C CONTACTOR	N-C CONTACT
OW.485	PILOTO	PILOT



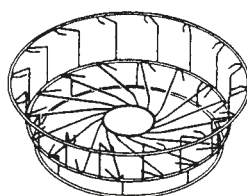


REF.	DESCRIPCIÓN	DESCRIPTION
OW.187	FILTRO ANTIPARASITARIO	FILTER
OW.486	FUSIBLE	FUSE
OW.487	PROGRAMADOR SEI 2P	TIMER SEI 2P

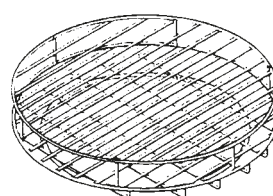


REF.	DESCRIPCIÓN	DESCRIPTION
OW.187	FILTRO ANTIPARASITARIO	FILTER
OW.188	CONTACTOR 220V	CONTACTOR 220V
OW.486	FUSIBLE	FUSE
OW.488	PROGRAMADOR SEI1P	TIMER SEI1P
OW.489	PROGRAMADOR SEI 2P/S	TIMER SEI 2P/S

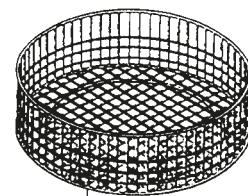
REF.	DESCRIPCIÓN	DESCRIPTION
H15414	CESTO VASOS 40 CMT.	40 CM. GLASSES BASKET
H15452	CESTO BANDEJAS E-50 46CM	46CM E-50 TRAY BASKET
LF.682	CESTO VASOS 36CMT	36 CM. GLASSES BASKET
LF.683	CESTO VASOS 45 CMT.	45 CM. GLASSES BASKET
LF.685	CESTO PLATOS 45 CMT.	45 CM. DISH BASKET
V...29	CESTO CUADRO PLATOS 40x40	40X40 SQUARE PLATE BASKET
V...31	CESTO PLATOS 40 CMT	40 CM. DISH BASKET
V...32	CESTO CUCHARAS PLASTICO	PLASTIC SPOON BASKET
V...80	CESTO CUADRO PLATOS 36x36	36X36 DISH BASKET
V...173	INSERTO PLATOS 30CMT.	30CMT DISHES INSERT
V..175	INSERTO PLATOS 42CMT.	42CMT DISHES INSERT
V..526	CESTO CUCHARAS CUADRADO	SQUARE SPOON BASKET
V..610	CANTONERA CESTO CUADRADO	BASKET SQUARE CORNERPIECE
V..964	INSERTO PLATOS 36cm	36cm DISHES INSERT
V.1250	CESTA VASOS 50X50	50X50 GLASSES RACK
V.1252	CEST.PLATOS-BANDEJA 50X50	PLATES AND TRAYS RACK
WL3510	CESTO CUADRO VASOS 36x36	36X36 GLASSES BASKET
WL3511	CESTO CUADRO VASOS 40x40	40X40 GLASSES BASKET
WL3512	CESTO CUADRO VASOS 45x45	45X45 GLASSES BASKET
WL3520	CESTO CUADRO PLATOS 45x45	45X45 DISH BASKET



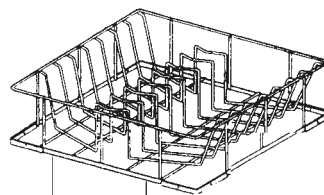
V.31 (40cm)
LF.685 (46cm)



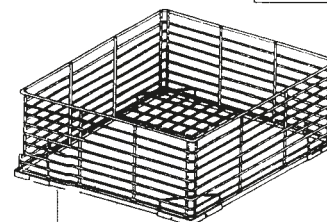
H.15452 (46cm)



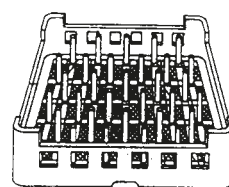
LF.682 (36 cm)
H.15414 (40 cm)
LF.683 (46 cm)



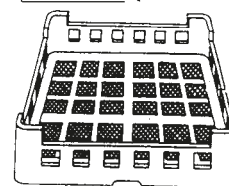
V.80 (36x36 cm) (JOLLY/UNO)
V.29 (40x40 cm) (DUE)
WL.3520 (45x45 cm)



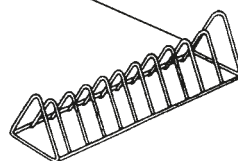
WL.3510 (36x36 cm) (JOLLY/UNO)
WL.3511 (40x40 cm) (DUE)
WL.3512 (45x45 cm)



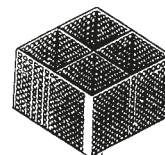
V.173 (30 cm)
V.175 (42 cm)
V.964 (36 cm)



V.1252 (50x50 cm) (QUATRO) V.1250 (50x50 cm) (QUATRO)



V.526



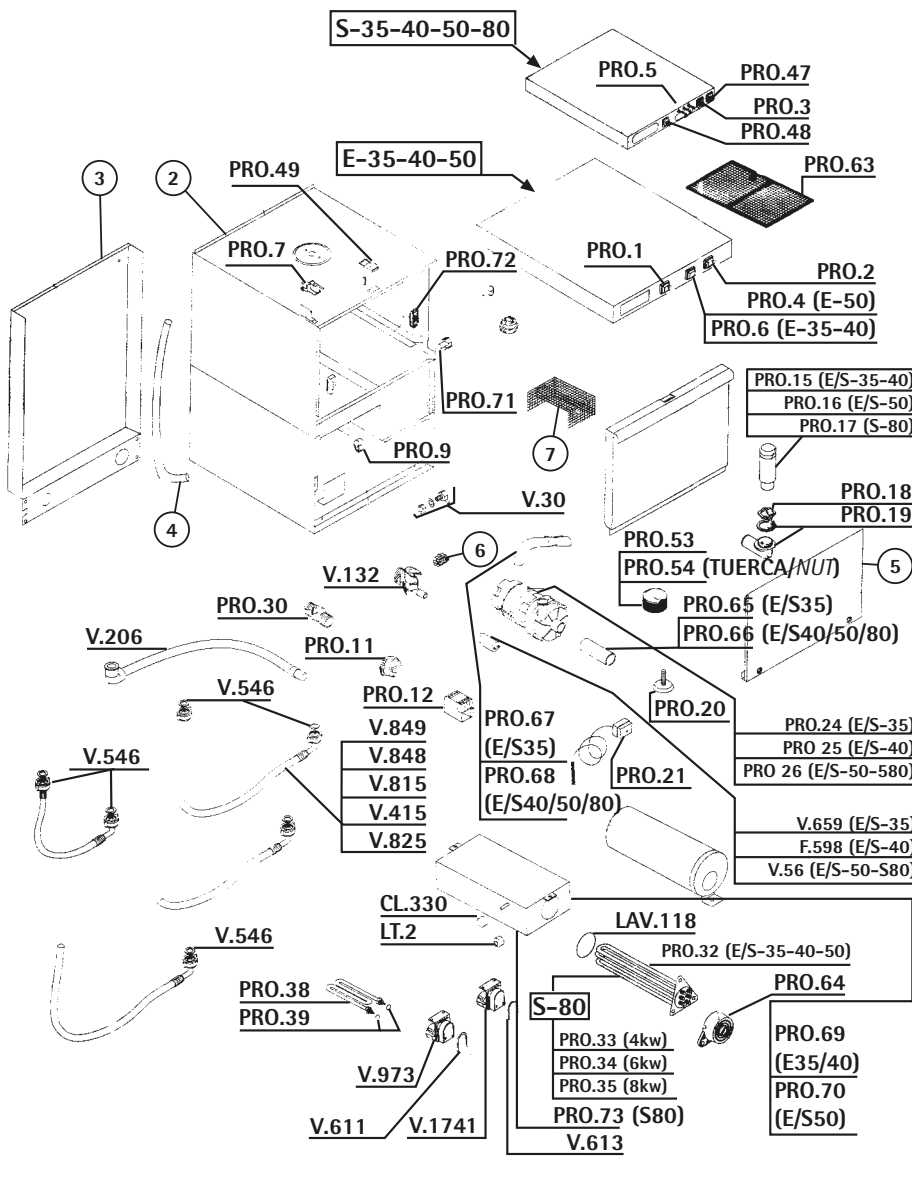
V.32



V.610

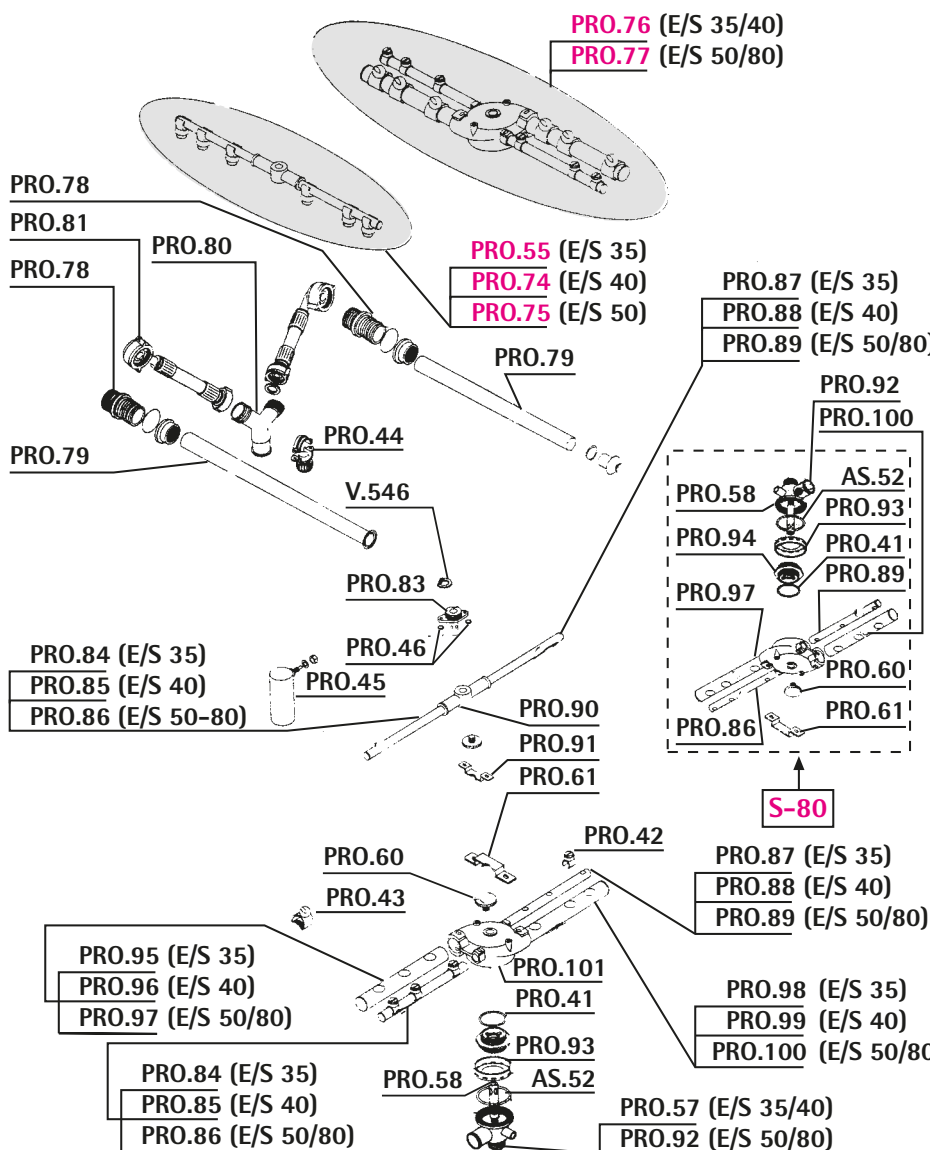
Índice PROJECT index

Varios E/S 35- 40 - 50 S-80	E/S 35- 40 - 50 S-80 Various	1409
Lavado / Aclarado E/S 35- 40 - 50 S-80	E/S 35- 40 - 50 S-80 Rinse / Wash	1410
Carrocería / Panel mandos T150 / T155	T150 / T155 Bodywork / Handle panel	1411
Lavado / Aclarado / Varios T150 / T155	T150 / T155 Wash / Rinse / Various	1412
Cestos	Baskets	1413



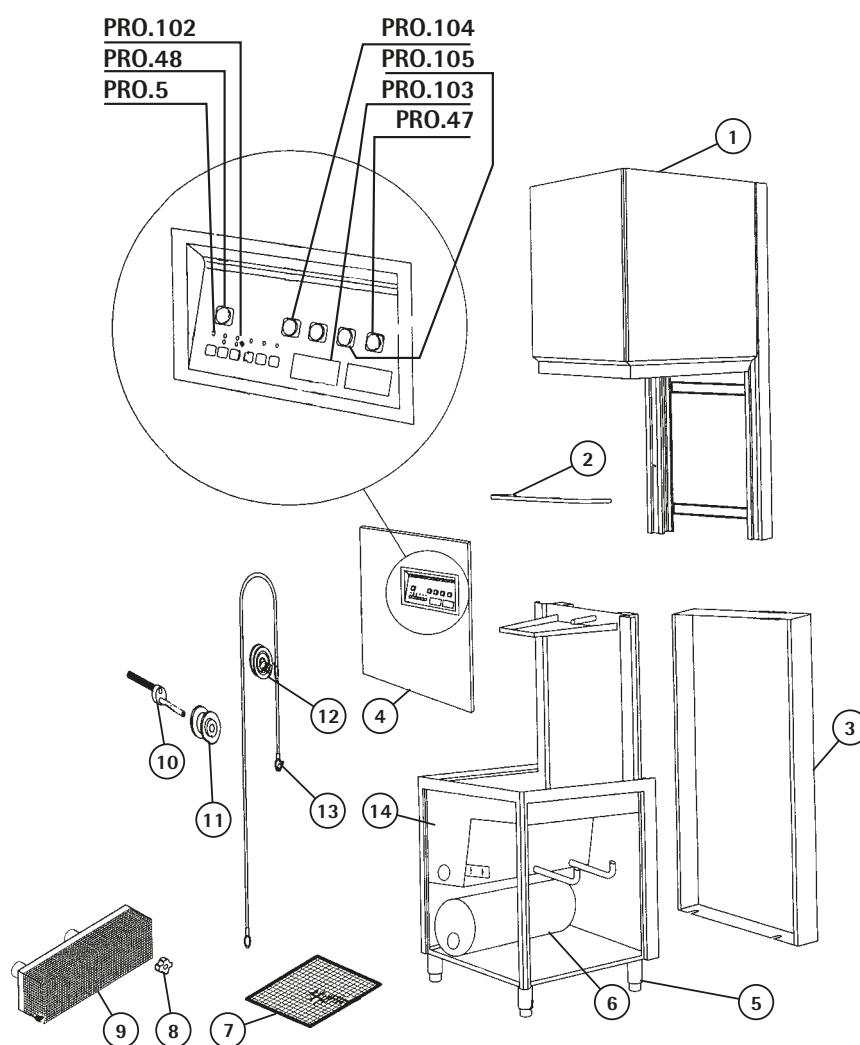
REF.	DESCRIPCIÓN	DESCRIPTION
CL.330	TERMOSTATO 80°	80° THERMOSTAT
F.598	CONDENSADOR 8 MF220V	220V 8MF CONDENSER
LAV118	TORICA GOMA	RING
LT.2	TERMOSTATO	THERMOSTAT
PRO.1	INTERRUPTOR ON/OFF	ON/OFF SWITCH
PRO.2	PULSADOR START	START PUSH-BUTTON
PRO.3	PULSADOR DESAGÜE SERIE S	OUTLET PUSH-BUTTON
PRO.4	PILOTO VERDE TEMPERATURA E-50	E-50 TEMPERATURE GREEN LAMP
PRO.5	PILOTO VERDE	GREEN LAMP
PRO.6	PILOTO ROJO TEMPERATURA	TEMPERATURE RED LAMP
PRO.7	MICRO PUERTA	DOOR MICRO
PRO.9	TERMOSTATO KLIXON 60°	60° THERMOSTAT
PRO.11	PROGRAMADOR CICLO	CYCLE TIMER
PRO.12	CONTACTOR 32A	32A CONTACTOR
PRO.15	SOBRENIVEL	OVERFLOW
PRO.16	SOBRENIVEL E/S-50	E/S-50 OVERFLOW
PRO.17	SOBRENIVEL S-80	S-80 OVERFLOW
PRO.18	SERVIR DH..10	GO TO DH..10
PRO.19	CODO DESAGÜE	OUTLET ELBOW
PRO.20	PATA	FOOT
PRO.21	TERMOSTATO	THERMOSTAT
PRO.24	MOTOR E-35/S-35	E-35/S-35 MOTOR
PRO.25	MOTOR E-40/S-40	E-40/S-40 MOTOR
PRO.26	MOTOR E/S/G-50-S80	E/S/G-50-S80 MOTOR
PRO.30	VALVULA ANTIRETORNO	NON-RETURN VALVE
PRO.32	RESISTENCIA CALDERIN 230V-3KW	230V-3KW BOILER RESISTANCE
PRO.33	RESISTENCIA CALDERIN 400V-4KW	400V-4KW BOILER RESISTANCE
PRO.34	RESISTENCIA CALDERIN 400V-6KW	400V-6KW BOILER RESISTANCE
PRO.35	RESISTENCIA CALDERIN 400V-8KW	400V-8KW BOILER RESISTANCE
PRO.38	RESISTENCIA 230V-1500W	1500W-230V RESISTANCE
PRO.39	JUNTA	GASKET
PRO.47	PULSADOR START	START PUSH-BUTTON
PRO.48	INTERRUPTOR AZUL ON-OFF	ON-OFF BLUE SWITCH
PRO.49	CIERRE PUERTA COMPLETO	COMPLET DOOR CLOSING
PRO.53	FILTRO BOMBA	PUMP FILTER
PRO.54	TUERCA MARIPOSA	NUT
PRO.63	FILTRO CUBA E-50	E-50 TANK FILTER
PRO.64	PROTECCION RESISTENCIA	RESISTANCE PROTECTION
PRO.65	MANGUITO ASPIRACION 35	35 SLEEVE
PRO.66	MANGUITO ASPIRACION 40/50	40/50 SLEEVE
PRO.67	MANGUITO IMPULSION 35	35 SLEEVE
PRO.68	MANGUITO IMPULSION 40/50	40/50 SLEEVE
PRO.69	CALDERIN E-35/E-40	E-35/E-40 BOILER
PRO.70	CALDERIN E-50	E-50 BOILER
PRO.71	BISAGRA PUERTA	DOOR HINGE
PRO.72	BLOQUEO PUERTA	DOOR LOCK
PRO.73	CALDERIN S-80	S-80 BOILER
V..30	RACOR ENTRADA JABON	INLET SOAP FITTING
V..56	CONDENSADOR 12,5 MF 220V	12,5MF 220V CONDENSER
V.132	ELECTROVAL.1 VIA LAV.220V	WASH 1 WAY 220V SOLENOID
V.206	TUBO DESAGÜE CON CODO	WITH ELBOW OUTLET PIPE
V.415	TOMA LAVADORA 1,5M	QUALITY 1.5M.INLET W.FLEX
V.546	JUNTA GOMA 3/4	WATER INLET RUBBER GASKET
V.611	TUBO INTERIOR DOS.PER. JABON	INLET PIPE
V.613	TUBO INTERIOR DOS.PER.ABRILLAN	RINS.AID INSIDE PIPE
V.659	CONDENSADOR 5 MF 220V	220V 5MF CONDENSER
V.815	TOMA LAVADORA 2 METROS	2 MT.INLET WATER FLEXIBLE
V.825	TOMA LAVADORA 1,5 «ECO»	«ECO»1.5M INLET WA.FLEXIB
V.848	TOMA LAVADORA 1,5M INOX	INOX 1.5M INLET WATER FL.
V.849	TOMA LAV.INOX 2MT.3/4X3/4	INOX 2MT.INLET WATER FLE.
V.973	DOSIFICADOR PERISTALTICO INTER	INTERNAL PERISTALTIC DOS.
V.1741	DOSIFABRILL.INTERNO 230V AC	230Vac INTERNAL RINSE DOSIMET

Lavado / Aclarado E/S 35- 40 - 50 S-80 ■ E/S 35- 40 - 50 S-80 Rinse / Wash

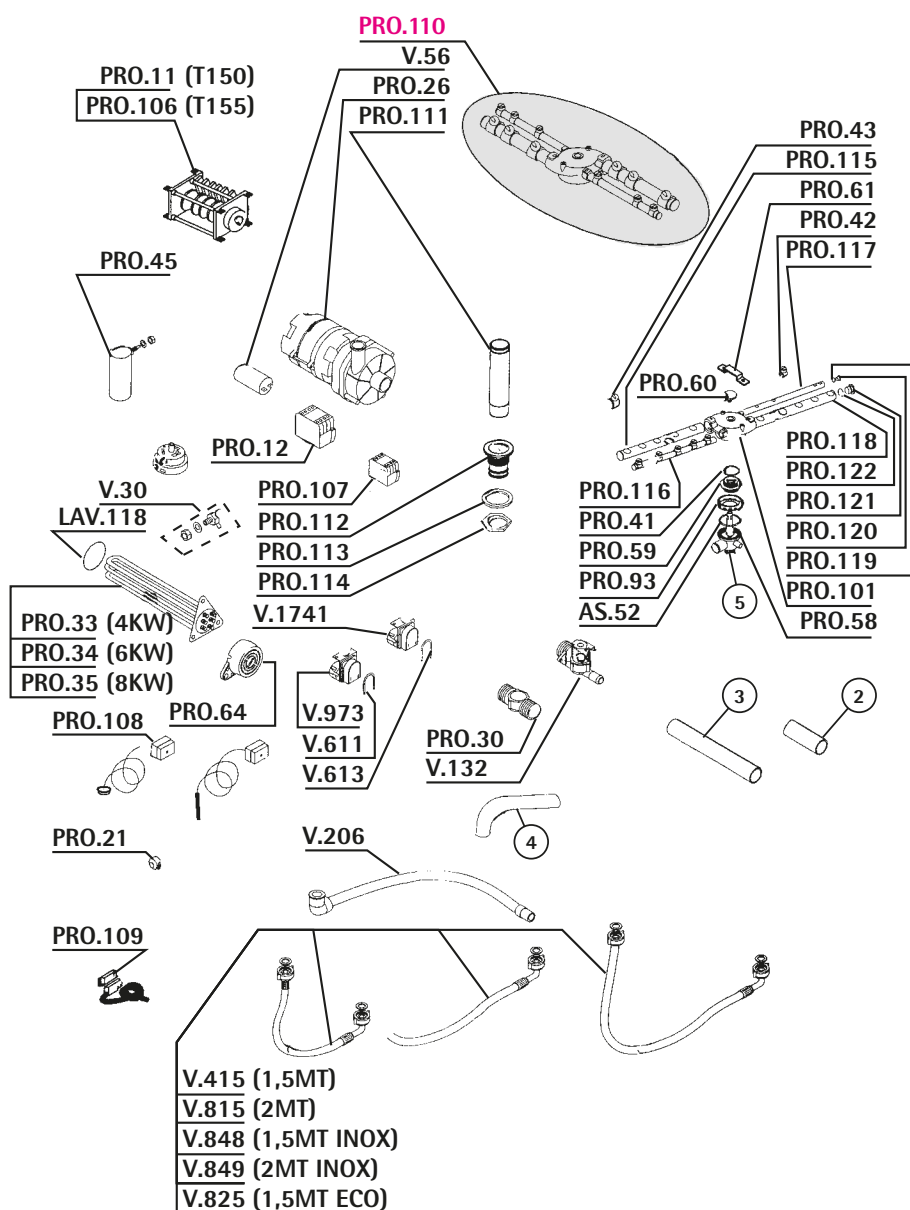


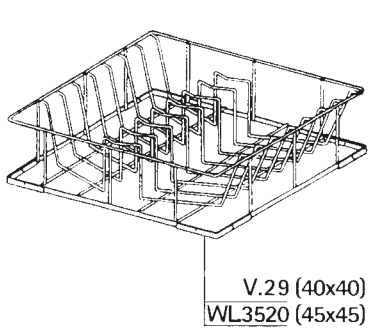
REF.	DESCRIPCIÓN	DESCRIPTION
AS..52	TORICA GOMA CAMPANA	BELL RUBBER RING
PRO.41	ANILLO SUJECCION	RING
PRO.42	DIFUSOR ACLARADO	RINSE SPRAY
PRO.43	DIFUSOR LAVADO	WASH SPRAY
PRO.44	DIFUSOR LAVADO FIJO	FIXED WASH SPRAY
PRO.45	CAMARA PRESOSTATICA	PRESSURE SWICHT CHAMBER
PRO.46	TORICA SILICONA	SILICON RING
PRO.55	GIRATORIO COMPLETO	COMPLET GYRATORY
PRO.57	DISTRIBUIDOR LAVADO ACLARADO	WASHING DISTRIBUTOR
PRO.58	EJE PROJECT	PROJECT ROD
PRO.60	ARANDELA LATON	BRASS WASHER
PRO.61	MUELLE VOLANTE LAVADO	HANDLE SPRING WASHING
PRO.74	GIRATORIO COMPLETO E-40	E-40 COMPLETE ARM
PRO.75	GIRATORIO COMPLETO E-50	E-50 COMPLET ARM
PRO.76	GIRATORIO SUPERIOR E-35/E-40	E-35/E-40 UPPER ARM
PRO.77	GIRATORIO SUPERIOR E-50	E-50 UPPER ARM
PRO.78	RACOR	FITTING
PRO.79	TUBO LAVADO	WASH PIPE
PRO.80	RACOR Y	Y FITTING
PRO.81	MANGUITO RACOR 3/4	3/4 FITTING SLEEVE
PRO.83	CASQUILLO SUPERIOR	UPPER CAP
PRO.84	TUBO ACLARADO IZQUIERDO	LEFT RINSE PIPE
PRO.85	TUBO ACLARADO IZQUIERDO Q	LEFT RINSE PIPE
PRO.86	TUBO ACLARADO IZQUIERDO Q	LEFT RINSE PIPE
PRO.87	TUBO ACLARADO DERECHO	RIGHT RINSE PIPE
PRO.88	TUBO ACLARADO DERECHO	RIGHT RINSE PIPE
PRO.89	TUBO ACLARADO DERECHO	RIGHT RINSE PIPE
PRO.90	CASQUILLO CENTRAL	CENTRAL CAP
PRO.91	ABRAZADERA	CLAMP
PRO.92	DISTRIBUIDOR INFERIOR	LOWER DISTRIBUTOR
PRO.93	JUNTA	GASKET
PRO.94	GUIA FIJACION	GUIDE
PRO.95	TUBO LAVADO IZQUIERDO	LEFT WASH PIPE
PRO.96	TUBO LAVADO IZQUIERDO	LEFT WASH PIPE
PRO.97	TUBO LAVADO IZQUIERDO	LEFT WASH PIPE
PRO.98	TUBO LAVADO DERECHO	RIGHT WASH PIPE
PRO.99	TUBO LAVADO DERECHO	RIGHT WASH PIPE
PRO.100	TUBO LAVADO DERECHO	RIGHT WASH PIPE
PRO.101	CASQUILLO CENTRAL	CENTRAL CAP
V.546	JUNTA GOMA 3/4	WATER INLET RUBBER GASKET

REF.	DESCRIPCIÓN	DESCRIPTION
PRO..5	PILOTO VERDE	GREEN LAMP
PRO.47	PULSADOR START	START PUSH-BUTTON
PRO.48	INTERRUPTOR AZUL ON-OFF	ON-OFF BLUE SWITCH
PRO102	PILOTO ROJO	RED LAMP
PRO103	TERMOMETRO	THERMOMETER
PRO104	SELECTOR LAVADO	WASH SELECTOR
PRO105	PULSADOR DESAGÜE	OUTLET PUSH-BUTTON

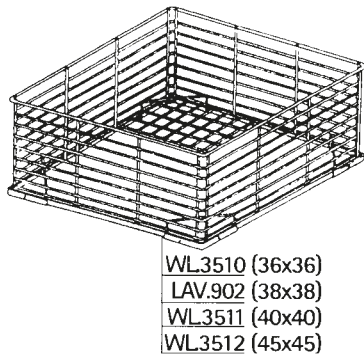


REF.	DESCRIPCIÓN	DESCRIPTION
AS..52	TORICA GOMA CAMPANA	BELL RUBBER RING
LAV118	TORICA GOMA	RING
PRO.11	PROGRAMADOR CICLO	CYCLE TIMER
PRO.12	CONTACTOR 32A	32A CONTACTOR
PRO.21	TERMOSTATO	THERMOSTAT
PRO.26	MOTOR E/S/G-50-S80	E/S/G-50-S80 MOTOR
PRO.30	VALVULA ANTIRETORNO	NON-RETURN VALVE
PRO.33	RESISTENCIA CALDERIN 400V-4KW	400V-4KW BOILER RESISTANCE
PRO.34	RESISTENCIA CALDERIN 400V-6KW	400V-6KW BOILER RESISTANCE
PRO.35	RESISTENCIA CALDERIN 400V-8KW	400V-8KW BOILER RESISTANCE
PRO.41	ANILLO SUJECCION	RING
PRO.42	DIFUSOR ACLARADO	RINSE SPRAY
PRO.43	DIFUSOR LAVADO	WASH SPRAY
PRO.45	CAMARA PRESOSTATICA	PRESSURE SWITCH CHAMBER
PRO.58	EJE PROJECT	PROJECT ROD
PRO.59	GUIA DE FIJACION	GUIDE
PRO.60	ARANDELA LATON	BRASS WASHER
PRO.61	MUELLE VOLANTE LAVADO	HANDLE SPRING WASHING
PRO.64	PROTECCION RESISTENCIA	RESISTANCE PROTECTION
PRO.93	JUNTA	GASKET
PRO101	CASQUILLO CENTRAL	CENTRAL CAP
PRO106	PROGRAMADOR CICLO	TIMER
PRO107	CONTACTOR 25 A	25 A CONTACTOR
PRO108	TERMOSTATO	THERMOSTAT
PRO109	MICRO PUERTA	DOOR MICRO
PRO110	GIRATORIO COMPLETO	COMPLETE ARM
PRO111	SOBRENIVEL	OVERFLOW PIPE
PRO112	RACOR DESAGÜE	OUTLET FITTING
PRO113	JUNTA DESAGÜE	OUTLET GASKET
PRO114	TUERCA DESAGÜE	OUTLET NUT
PRO115	TUBO LAVADO IZQUIERDO	LEFT WASH PIPE
PRO116	TUBO ACLARADO IZQUIERDO	LEFT RINSE PIPE
PRO117	TUBO ACLARADO DERECHO	RIGHT RINSE PIPE
PRO118	TUBO LAVADO DERECHO	RIGHT WASH PIPE
PRO119	TORICA	RING
PRO120	TAPON	CAP
PRO121	TAPON	CAP
PRO122	TORICA	RING
V...30	RACOR ENTRADA JABON	INLET SOAP FITTING
V...56	CONDENSADOR 12,5 MF 220V	12,5MF 220V CONDENSER
V..132	ELECTROVAL.1 VIA LAV.220V	WASH 1 WAY 220V SOLENOID
V..206	TUBO DESAGÜE CON CODO	WASH 1 WAY 220V SOLENOID WITH ELBOW
V..415	TOMA LAVADORA 1,5M	QUALITY 1.5M.INLET W.FLEX
V..611	TUBO INTERIOR DOS.PER. JABON	INLET PIPE
V..613	TUBO INTERIOR DOS.PER.ABRILLAN	RINS.AID INSIDE PIPE
V..815	TOMA LAVADORA 2 METROS	2 MT.INLET WATER FLEXIBLE
V..825	TOMA LAVADORA 1.5 «ECO»	«ECO»1.5M INLET WA.FLEXIB
V..848	TOMA LAVADORA 1.5M INOX	INOX 1.5M INLET WATER FL.
V..849	TOMA LAV.INOX 2MT.3/4X3/4	INOX 2MT.INLET WATER FL.
V..973	DOSIFICADOR PERISTALTICO INTER	INTERNAL PERISTALTIC DOS.
V.1741	DOSIF.ABRILL. INTERNO 230V AC	230Vac INTERNAL RINSE DOSIMET

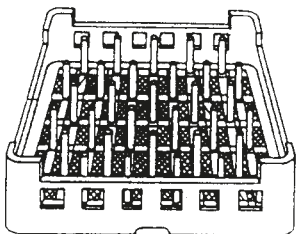




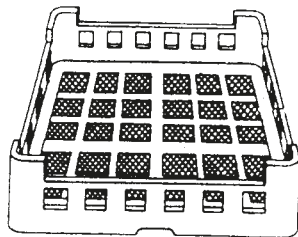
V.29 (40x40)
WL3520 (45x45)



WL3510 (36x36)
LAV.902 (38x38)
WL3511 (40x40)
WL3512 (45x45)

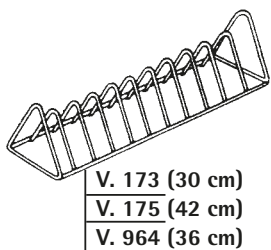


V.1252 (50x50)

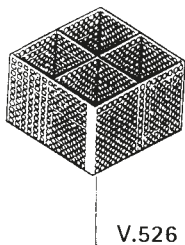


V.1250 (50x50)

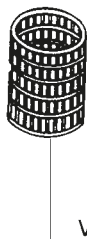
GAMA COMPLETA
COMPLET RANGE
PAG. 34



V. 173 (30 cm)
V. 175 (42 cm)
V. 964 (36 cm)



V.526



V.32



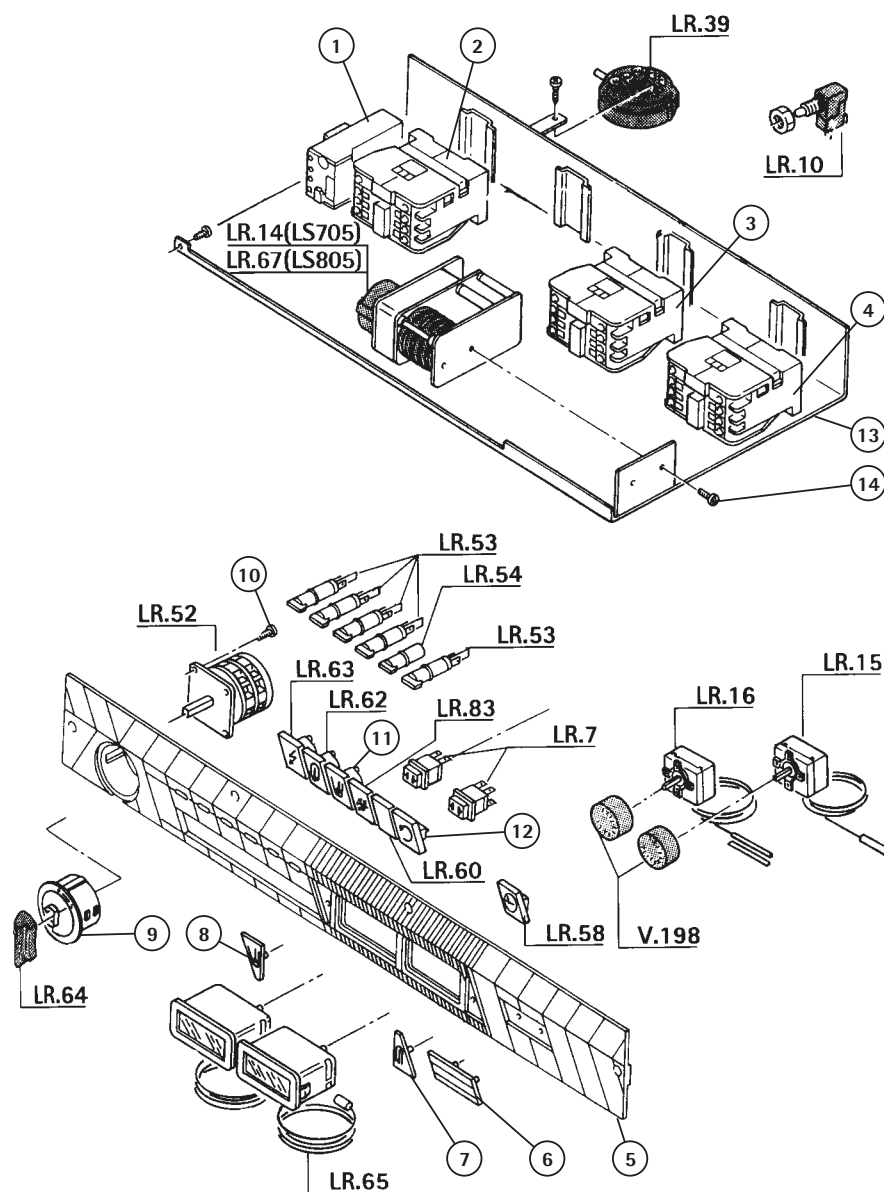
V.610

REF.	DESCRIPCIÓN	DESCRIPTION
LAV902	CESTO VASOS 38X38	38X38 GLASSES BASKET
V...29	CESTO CUADRO PLATOS 40x40	40X40 SQUARE PLATE BASKET
V...32	CESTO CUCHARAS PLASTICO	PLASTIC SPOON BASKET
V..173	INSERTO PLATOS 30CMT.	30CMT DISHES INSERT
V..175	INSERTO PLATOS 42CMT.	42CMT DISHES INSERT
V.526	CESTO CUCHARAS CUADRADO	SQUARE SPOON BASKET
V.610	CANTONERA CESTO CUADRADO	BASKET SQUARE CORNERPIECE
V.964	INSERTO PLATOS 36cm	36cm DISHES INSERT
V.1250	CESTA VASOS 50X50	50X50 GLASSES RACK
V.1252	CEST.PLATOS-BANDEJA 50X50	PLATES AND TRAYS RACK
WL3510	CESTO CUADRO VASOS 36x36	36X36 GLASSES BASKET
WL3511	CESTO CUADRO VASOS 40x40	40X40 GLASSES BASKET
WL3512	CESTO CUADRO VASOS 45x45	45X45 GLASSES BASKET
WL3520	CESTO CUADRO PLATOS 45x45	45X45 DISH BASKET

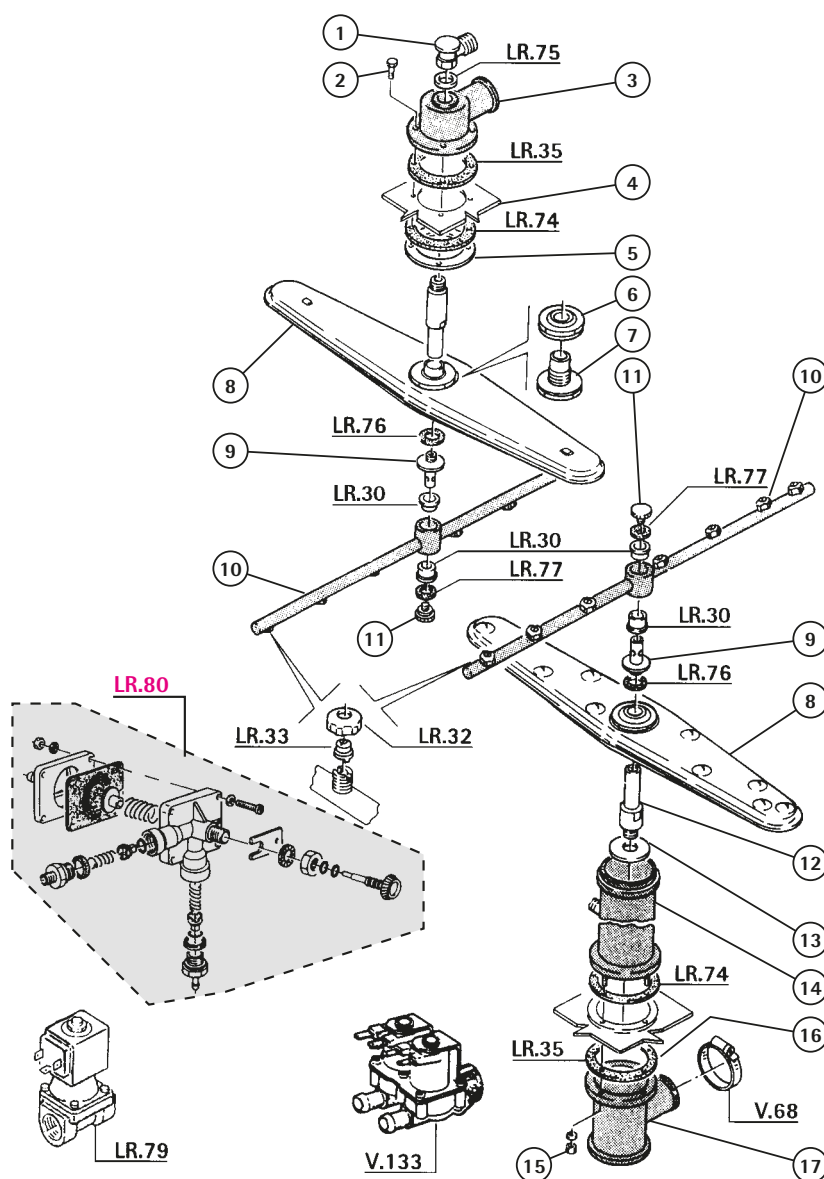
Índice RANCILIO index

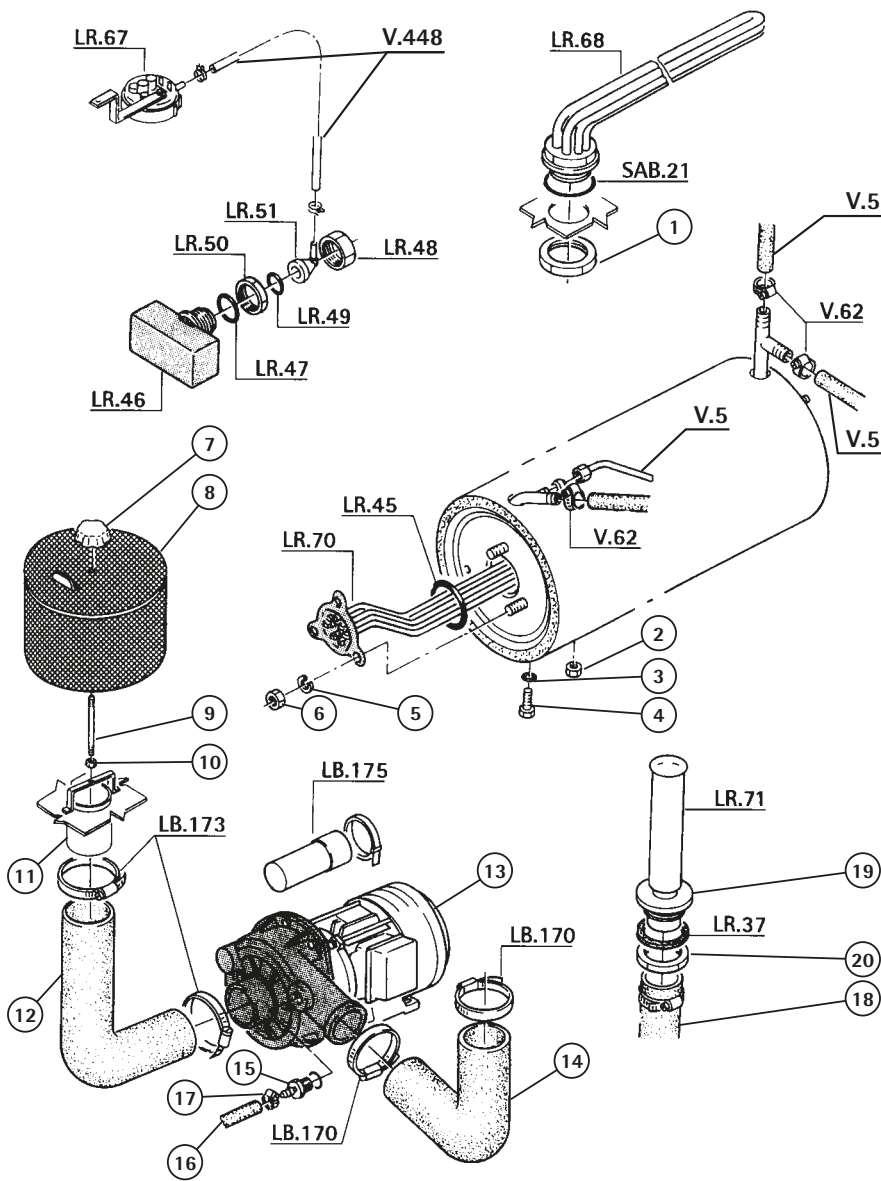
Panel mandos LS705 - 805	LS705 - 805 Front handles	1415
Lavado / Aclarado LS705 -805	LS705 - 805 Wash / Rinse	1416
Calderín LS705 - 805	LS705 - 805 Boiler	1417
Panel mandos LT-90 -155 - 255	LT-90 -155 - 255 Front handles	1418
Lavado / Aclarado LT-90	LT-90 Wash / Rinse	1419
Lavado / Aclarado LT-155 -255	LT-155 - 255 Wash / Rinse	1420
Calderín LT-90 - 155 -255	LT-90 - 155 - 255 Boiler	1421
Motor / Cestas LT-90 - 155 - 255	LT-90 - 155 - 255 Motor / Baskets	1422

REF.	DESCRIPCIÓN	DESCRIPTION
LR...7	PULSADOR 250V	PUSH BUTTON
LR..10	MICROINTERRUPTOR	MICROSWITCH
LR..14	PROG.LT 155-255/LS 705	LT 155-255/LS 705 TIMER
LR..15	TERMOSTATO CUBA 90°	90° TANK THERMOSTAT
LR..16	TERMOSTATO CALDERIN 90°	90° BOILER THERMOSTAT
LR..39	PRESOSTATO	PRESSURE SWITCH
LR..52	INTERRUPTOR GENERAL	GENERAL SWITCH
LR..53	PILOTO NARANJA 220V	ORANGE LAMP
LR..54	PILOTO NEGRO 220V	BLACK LAMP
LR..58	BOTON RELOJ	WATCH PUSH-BUTTON
LR..60	BOTON	PUSH - BUTTON
LR..62	BOTON CALDERIN	BOILER PUSH - BUTTON
LR..63	INTERRUPTOR 250V	250V SWITCH
LR..64	MANDO	HANDLE
LR..65	TERMOMETRO	THERMOMETER
LR..67	PROGRAMADOR LS-805	LS 805 TIMER
LR..83	BOTON ACLARADO FRIO	COLD RINSE BUTTON
V..198	MANDO TERMOSTATO 90°	90° THERMOSTAT HANDLE



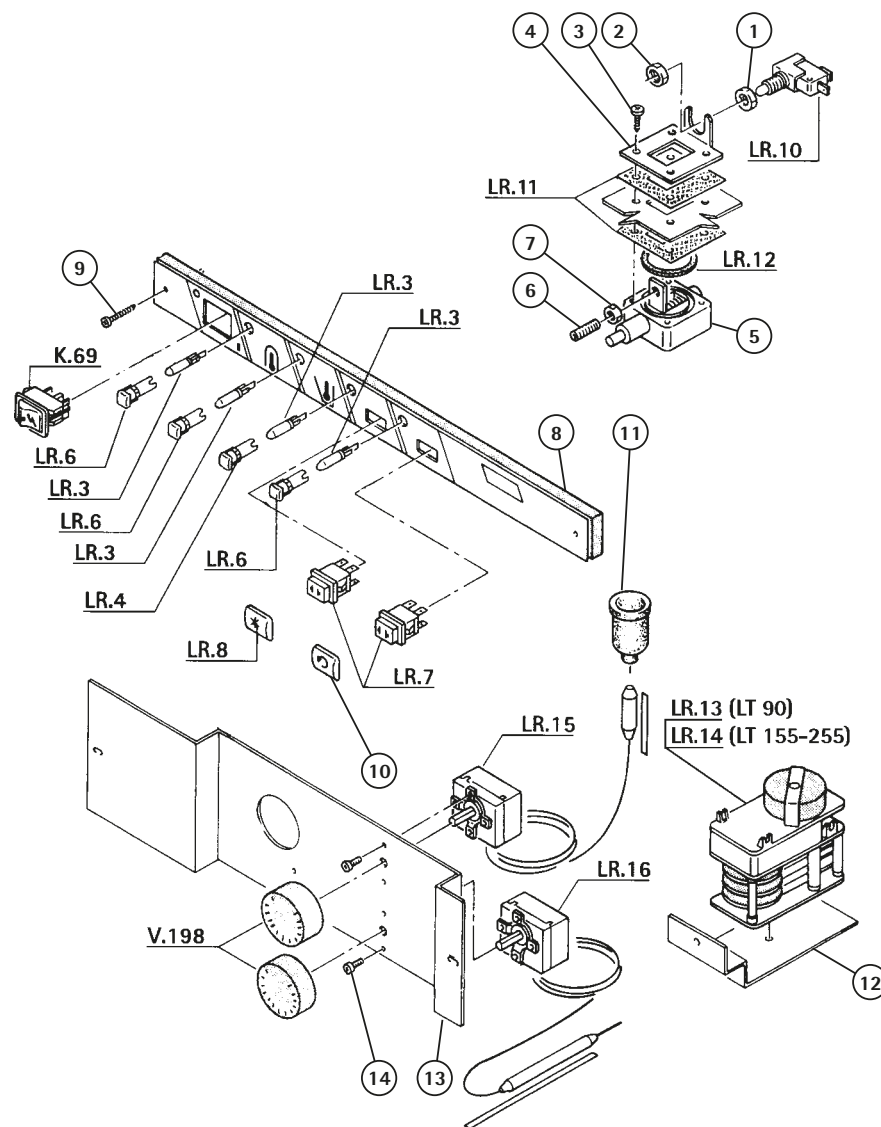
REF.	DESCRIPCIÓN	DESCRIPTION
LR..30	CASQUILLO	CAP
LR..32	TUERCA ROCIADOR	JET NUT
LR..33	ROCIADOR LAVADO	WASHING SPRAY
LR..35	JUNTA GOMA	RUBBER GASKET
LR..74	JUNTA GOMA	RUBBER GASKET
LR..75	JUNTA COBRE	COPPER GASKET
LR..76	JUNTA TEFLON	TEFLON GASKET
LR..77	ARANDELA TEFLON	TEFLON WASHER
LR..79	ELECTROVALVULA 220V	220V SOLENOID
LR..80	DOSIFICADOR ABRILLANTADOR	RINSE AID DOSIMETER
V..68	ABRAZADERA 32-50	35-50 CLAMP
V..133	ELECTROVAL.2 VIA LAV.220V	WASH 2 WAYS 220V SOLENOID





REF.	DESCRIPCIÓN	DESCRIPTION
LB.170	ABRAZADERA 40-60	40-60 CLAMP
LB.173	ABRAZADERA 60-80	60-80 CLAMP
LB.175	CONDENSADOR 31.5 MF	31.5 MF CONDENSER
LR..37	JUNTA GOMA	RUBBER GASKET
LR..45	TORICA GOMA	RUBBER RING
LR..46	CAMARA PRESOSTATICA	PRESSURE SWITCH CHAMBER
LR..47	JUNTA GOMA	RUBBER GASKET
LR..48	TUERCA	NUT
LR..49	JUNTA GOMA	RUBBER GASKET
LR..50	TUERCA	NUT
LR..51	CODO	ELBOW
LR..67	PROGRAMADOR LS-805	LS 805 TIMER
LR..68	RESISTENCIA CUBA	TANK RESISTANCE 4000W 230-400V
LR..70	RESISTENC. CALDERIN 4000W	4000W 230V BOILER RESISTANCE
LR..71	SOBRENIVEL	OVERFLOW
SAB.21	TORICA GOMA	RUBBER RING
V....5	TUBO GOMA 10X16 20 ATM	20ATM 10X17 RUBBER PIPE
V..62	ABRAZADERA 12-20	12-20 CLAMP
V..448	TUBO PRESOSTATO-METRO 4X6	4X6 PRE.SWITCH INLET PIPE

Panel mandos LT-90 -155 - 255 ■ LT-90 -155 - 255 Front handles



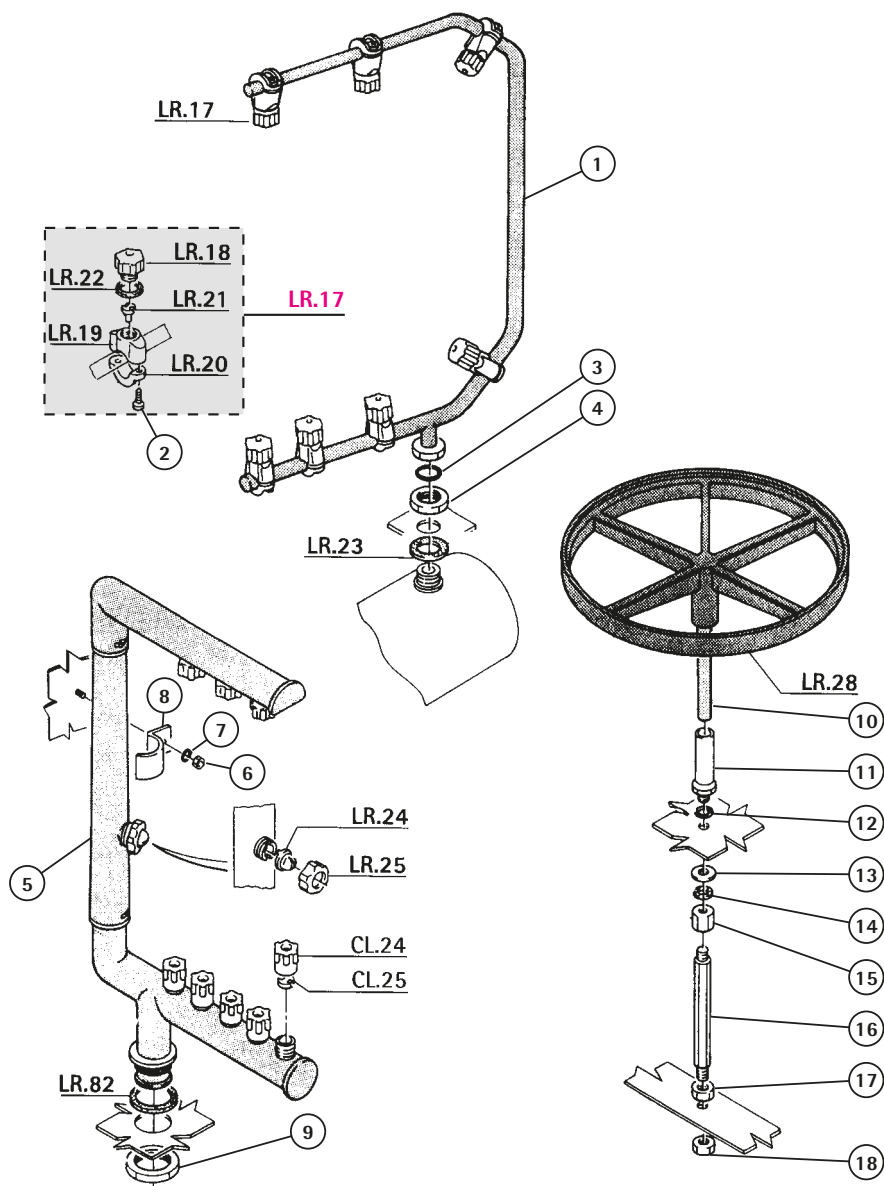
REF.	DESCRIPCIÓN	DESCRIPTION
K...69	INTERRUPTOR NEGRO C/LED	WITH LED BLACK SWITCH
LR...3	LAMPARA NEON	LUDICATOR NEON
LR...4	PILOTO AZUL 220V	BLUE LAMP
LR...6	PILOTO NARANJA 220V	ORANGE LAMP
LR...7	PULSADOR 250V	PUSH BUTTON
LR...8	BOTON ACLARADO	RINSE BUTTON
LR..10	MICROINTERRUPTOR	MICROSWITCH
LR..11	JUNTA GOMA	RUBBER GASKET
LR..12	JUNTA GOMA	RUBBER GASKET
LR..13	PROGRAMADOR LT 90	LT 90 TIMER
LR..14	PROG.LT 155-255/LS 705	LT 155-255/LS 705 TIMER
LR..15	TERMOSTATO CUBA 90°	90° TANK THERMOSTAT
LR..16	TERMOSTATO CALDERIN 90°	90° BOILER THERMOSTAT
V..198	MANDO TERMOSTATO 90°	90° THERMOSTAT HANDLE

In case of doubt, please CONTACT US

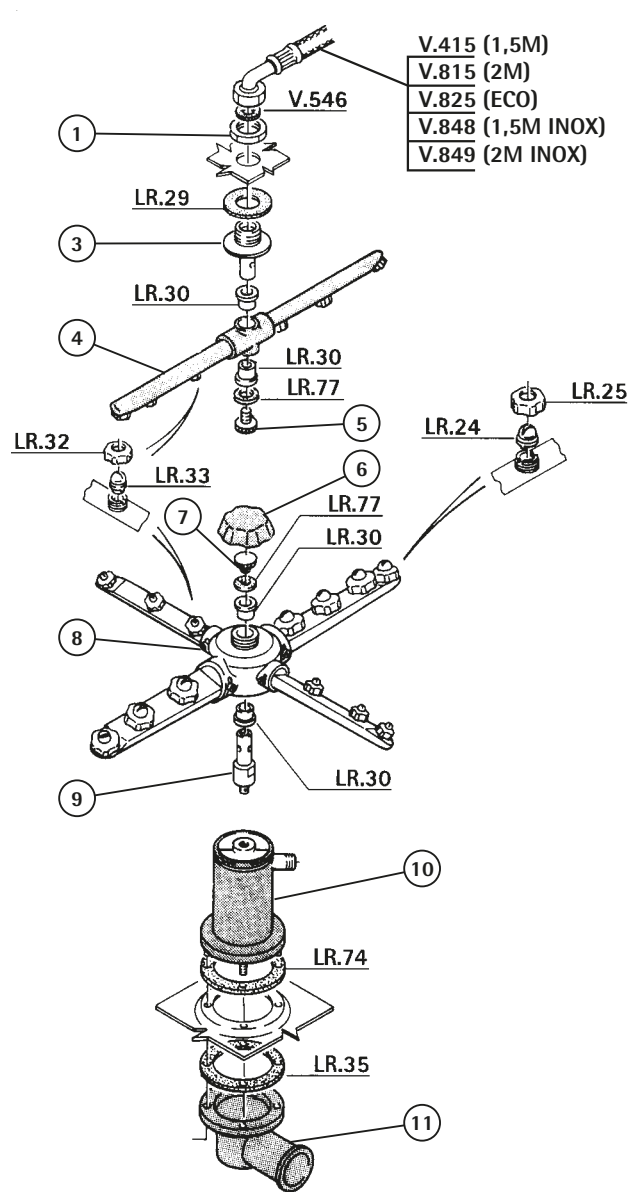


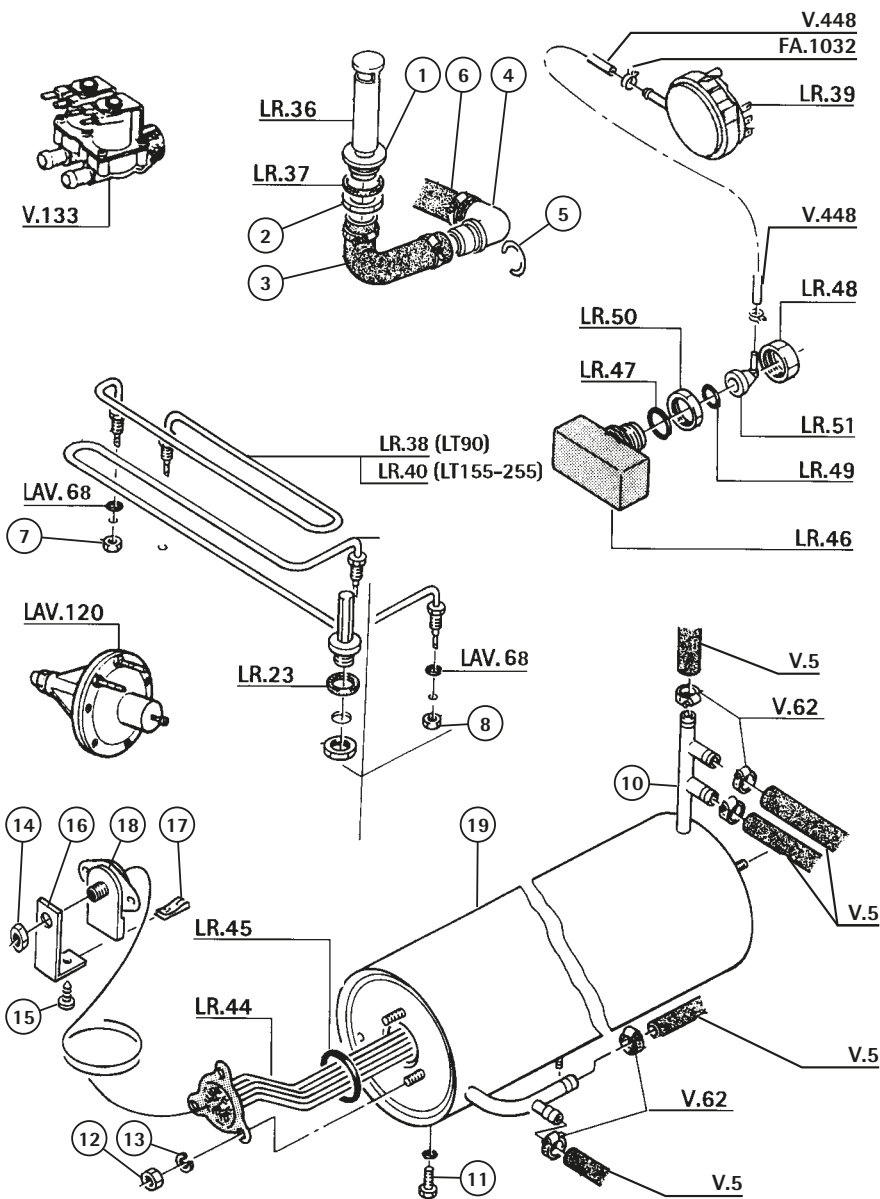
Tel: 93 377 64 11
Fax: 93 377 98 03
ascaso@ascaso.com

REF.	DESCRIPCIÓN	DESCRIPTION
CL..24	TAPON LAVADO	WASHING CAP
CL..25	DEFLECTOR LAVADO	WASHING SWIRL
LR..17	ROCIADOR ACLARADO CPTO.	COMPLET RINSE SPRAY
LR..18	ROCIADOR ACLARADO	RIUSE SPRAY
LR..19	BRIDA SUPERIOR	UPPER CLASP
LR..20	BRIDA INFERIOR	LOWER CLASP
LR..21	ROMPECHORRO ACLARADO	RIUSE STOP JET
LR..22	JUNTA GOMA	RUBBER GASKET
LR..23	JUNTA ALIMENTARIA	ALIMENTARY GASKET
LR..24	ROCIADOR LAVADO	WASHING SPRAY
LR..25	TUERCA ROCIADOR	JET NUT
LR..28	VOLANTE	ROTATING PLATE
LR..82	JUNTA GOMA	RUBBER GASKET



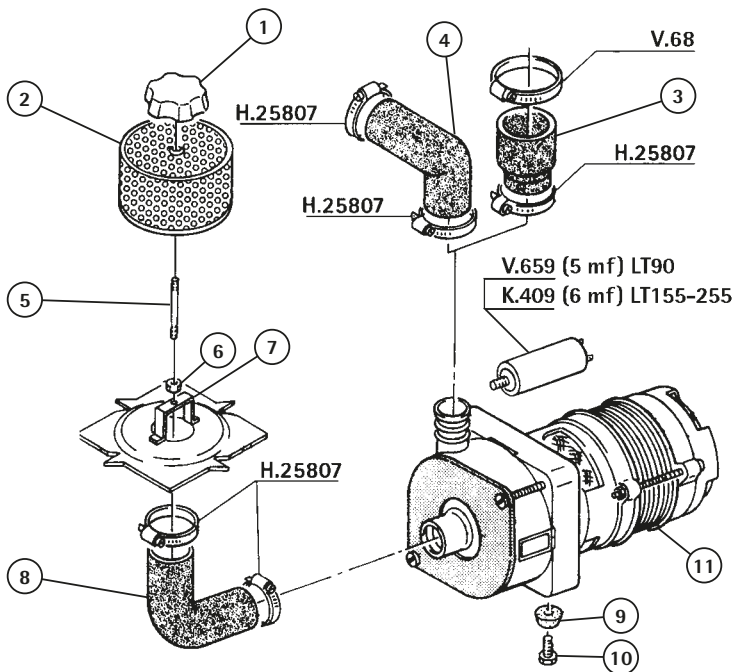
REF.	DESCRIPCIÓN	DESCRIPTION
LR..24	ROCIADOR LAVADO	WASHING SPRAY
LR..25	TUERCA ROCIADOR	JET NUT
LR..29	JUNTA COBRE	COPPER GASKET
LR..30	CASQUILLO	CAP
LR..32	TUERCA ROCIADOR	JET NUT
LR..33	ROCIADOR LAVADO	WASHING SPRAY
LR..35	JUNTA GOMA	RUBBER GASKET
LR..74	JUNTA GOMA	RUBBER GASKET
LR..77	ARANDELA TEFLON	TEFLON WASHER
V..415	TOMA LAVADORA 1,5M	QUALITY 1.5M.INLET W.FLEX
V..546	JUNTA GOMA 3/4	WATER INLET RUBBER GASKET
V..815	TOMA LAVADORA 2 METROS	2 MT.INLET WATER FLEXIBLE
V..825	TOMA LAVADORA 1.5 "ECO"	"ECO"1.5M INLET WA.FLEXIB
V..848	TOMA LAVADORA 1.5M INOX	INOX 1.5M INLET WATER FL.
V..849	TOMA LAV.INOX 2MT.3/4X3/4	INOX 2MT.INLET WATER FLE.



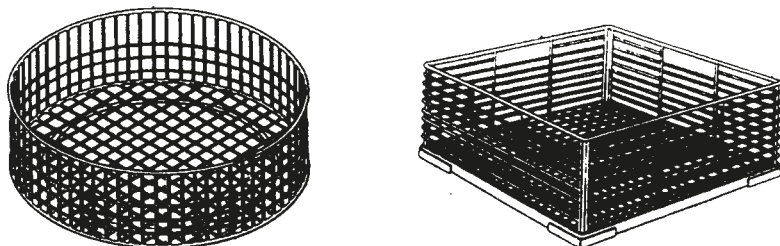


REF.	DESCRIPCIÓN	DESCRIPTION
FA1032	BRIDA	CLASP
LAV.68	TORICA GOMA EPDM	RUBBER RING
LAV120	DOSIFICADOR ABRILLANTADOR	RINSE AID DOSIMETER
LR..23	JUNTA ALIMENTARIA	ALIMENTARY GASKET
LR..36	SOBRENIVEL	OVERFLOW
LR..37	JUNTA GOMA	RUBBER GASKET
LR..38	RESISTENCIA CUBA LT 90	LT-90 TANK RESISTANCE
LR..39	PRESOSTATO	PRESSURE SWITCH
LR..40	RES.CUBA LT155/255 2000W 230V	2000W 230V LT155/255 TANK RES.
LR..44	R.CALDERIN LT155/255 2400W230V	2400W230V LT155/255 BOILER RES
LR..45	TORICA GOMA	RUBBER RING
LR..46	CAMARA PRESOSTATICA	PRESSURE SWITCH CHAMBER
LR..47	JUNTA GOMA	RUBBER GASKET
LR..48	TUERCA	NUT
LR..49	JUNTA GOMA	RUBBER GASKET
LR..50	TUERCA	NUT
LR..51	CODO	ELBOW
V...5	TUBO GOMA 10X16 20 ATM	20ATM 10X17 RUBBER PIPE
V...62	ABRAZADERA 12-20	12-20 CLAMP
V.133	ELECTROVAL.2 VIA LAV.220V	WASH 2 WAYS 220V SOLENOID
V.448	TUBO PRESOSTATO-METRO 4X6	4X6 PRE.SWITCH INLET PIPE

Motor / Cestas LT-90 - 155 - 255 ■ LT-90 - 155 - 255 Motor / Baskets 1422



REF.	DESCRIPCIÓN	DESCRIPTION
H25807	ABRAZADERA 25-40	25-40 CLAMP
K..409	CONDENSADOR 6MF	220V 6MF CONDENSER
V..68	ABRAZADERA 32-50	35-50 CLAMP
V..659	CONDENSADOR 5 MF 220V	220V 5MF CONDENSER



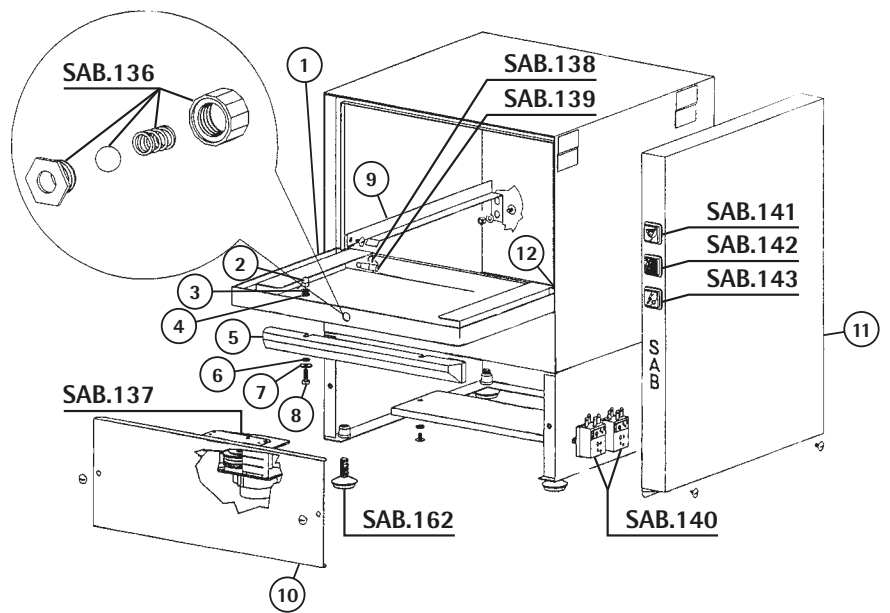
IR PAG. 34
GO TO PAG. 34

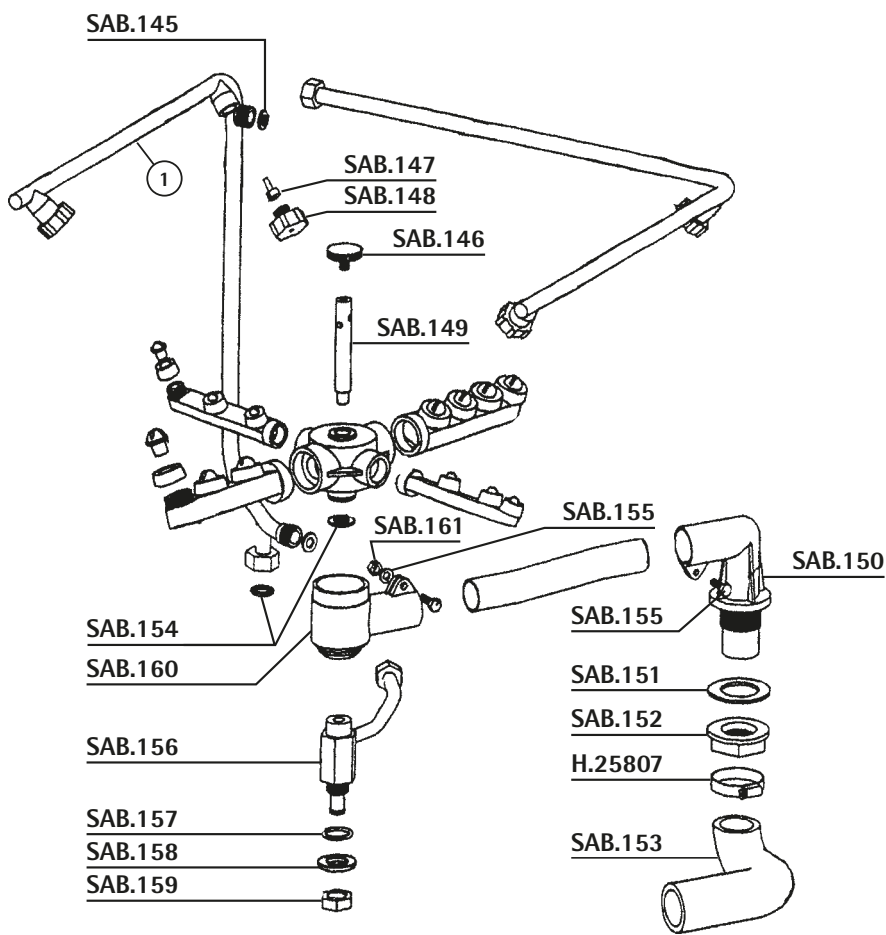
Índice SAB ITALIA index

Puerta / Pata / Termostatos / Programador / Mandos F7 ELT	F7 ELT Switchs / Timer / Thermostats / Foot / Door	1424
Lavado / Aclarado F7 ELT	F7 ELT Rinse / Wash	1425
Puerta / Pata / Termostatos / Programador / Mandos F8 LT	F8 LT Switchs / Timer / Thermostats / Foot / Door	1426
Lavado / Aclarado F8 LT	F8 LT Rinse / Wash	1427
Puerta / Pata / Termostatos / Programador / Mandos F8 - F9 - F60 -F70 - F70A	F8 - F9 - F60 -F70 - F70A Switchs / Timer / Thermostats / Foot / Door	1428
Lavado / Aclarado F8 - 80	F8 - 80 Rinse / Wash	1429
Lavado F9 - F60 - F70 - 90 -600 - 700	F9 - F60 - F70 - 90 -600 - 700 Wash	1430
Aclarado F9 - F60 - F70 - 90 -600 - 700	F9 - F60 - F70 - 90 -600 - 700 Rinse	1431
Giratorio F7 ELT., F8 LT, F8, F9, F60, F70	F7 ELT., F8 LT, F8, F9, F60, F70 Giratory	1432
Calderín todos los modelos	All models boiler	1433
Dosificador Abrillantador	Rinse aid	1434
Resistencia / Presostato / Electroválvulas	Electrovalve / Pressure switch / Resistance	1435
Entrada agua / Desagüe	Drain / Water inner	1436
Motor	Motor	1437
Cestos	Baskets	1438

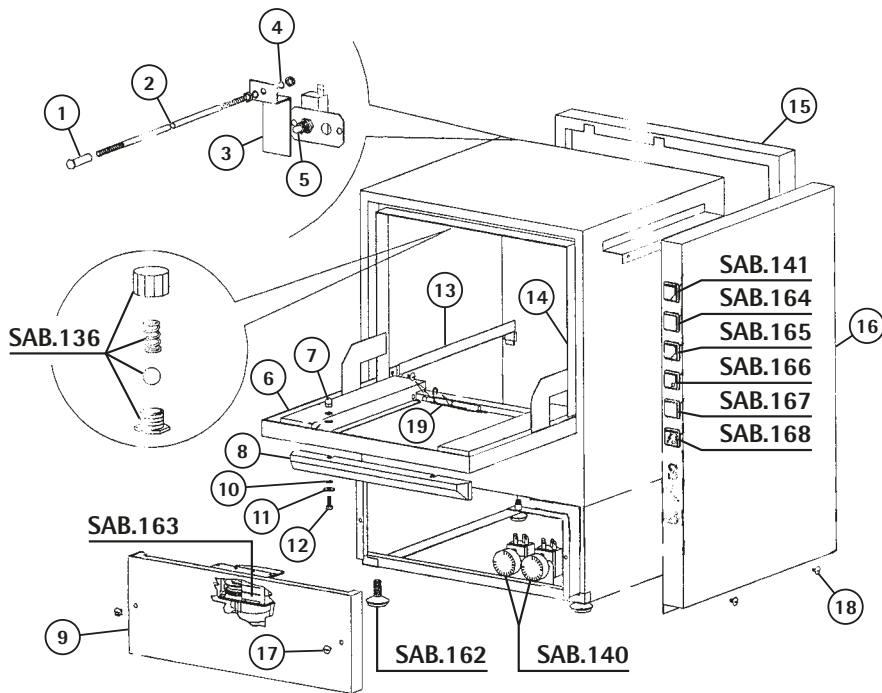
Puerta / Pata / Termostatos / Programador / Mandos F7 ELT ■ F7 ELT Switchs / Timer / Thermostats / Foot / Door

REF.	DESCRIPCIÓN	DESCRIPTION
SAB136	CIERRE PUERTA	DOOR CLOSING
SAB137	PROGRAMADOR	TIMER
SAB138	SEEGER	SEEGER
SAB139	PASADOR	PIN
SAB140	TERMOSTATO	THERMOSTAT
SAB141	INTERRUPTOR	SWITCH
SAB142	PILOTO	PILOT
SAB143	PULSADOR	PUSH BUTTON
SAB162	PATA	FOOT





REF.	DESCRIPCIÓN	DESCRIPTION
H25807	ABRAZADERA 25-40	25-40 CLAMP
SAB145	JUNTA	GASKET
SAB146	TORNILLO	SCREW
SAB147	ROMPECHORROS	THREAD
SAB148	ROCIADOR ACLARADO	RINSE SPRAY
SAB149	EJE GIRATORIO	GIRATORY ROD
SAB150	CODO	ELBOW
SAB151	TORNILLO	SCREW
SAB152	TUERCA	NUT
SAB153	MANGUITO	SLEEVE
SAB154	JUNTA	GASKET
SAB155	TORNILLO	SCREW
SAB156	SOPORTE GIRATORIO	GIRATORY SUPPORT
SAB157	JUNTA	GASKET
SAB158	ARANDELA	WASHER
SAB159	TUERCA	NUT
SAB160	COLECTOR INFERIOR	LOWER COLECTOR
SAB161	TUERCA	NUT



REF.	DESCRIPCIÓN	DESCRIPTION
SAB136	CIERRE PUERTA	DOOR CLOSING
SAB140	TERMOSTATO	THERMOSTAT
SAB141	INTERRUPTOR	SWITCH
SAB162	PATA	FOOT
SAB163	PROGRAMADOR	TIMER
SAB164	PILOTO	PILOT
SAB165	INTERRUPTOR	SWITCH
SAB166	INTERRUPTOR	SWITCH
SAB167	INTERRUPTOR	SWITCH
SAB168	PULSADOR	PUSH BUTTON

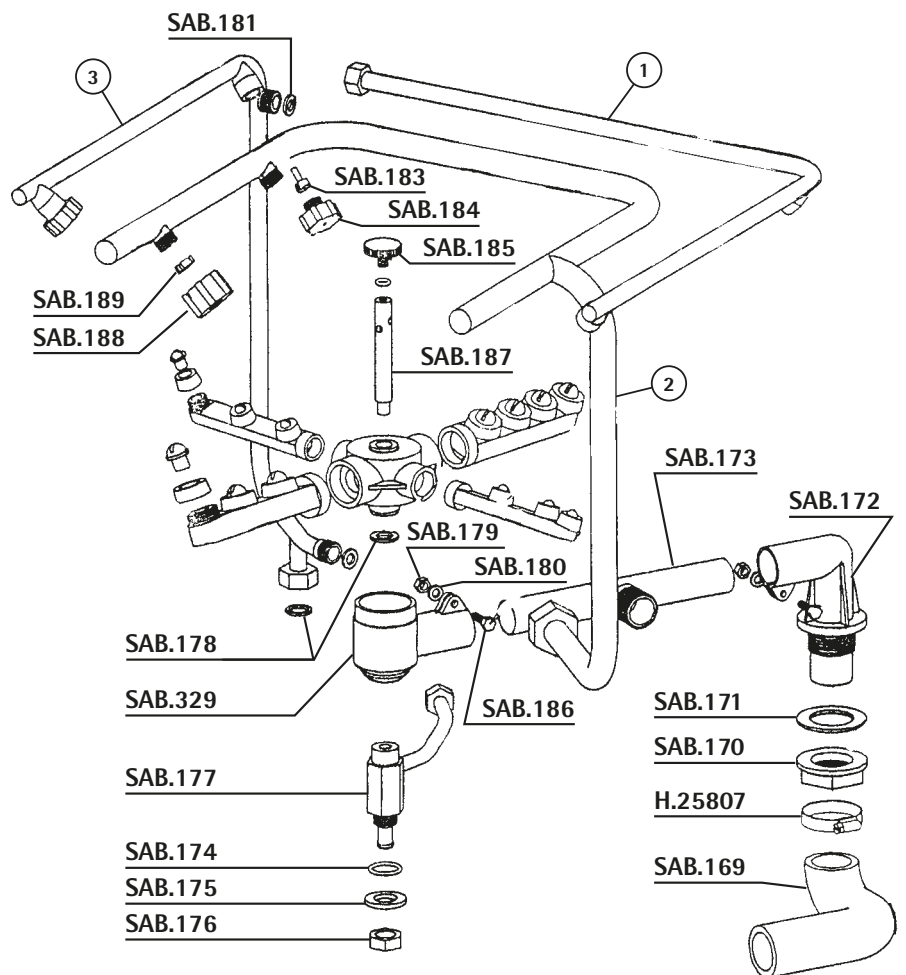
Los artículos con círculo son bajo pedido.

① ② ③ ...

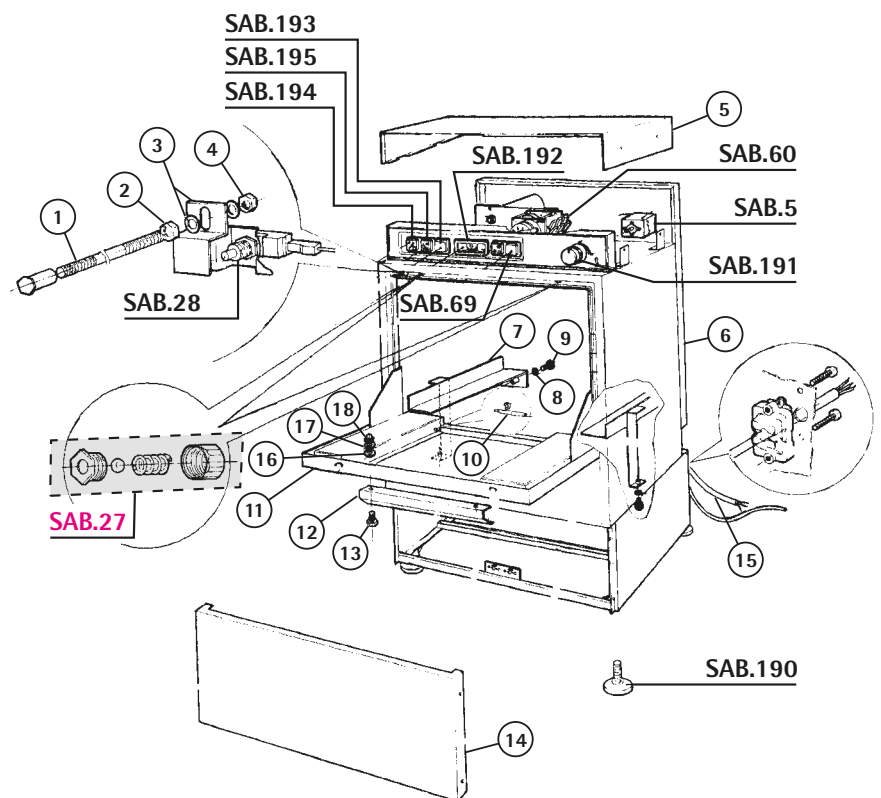
CONSÚLTENOS.

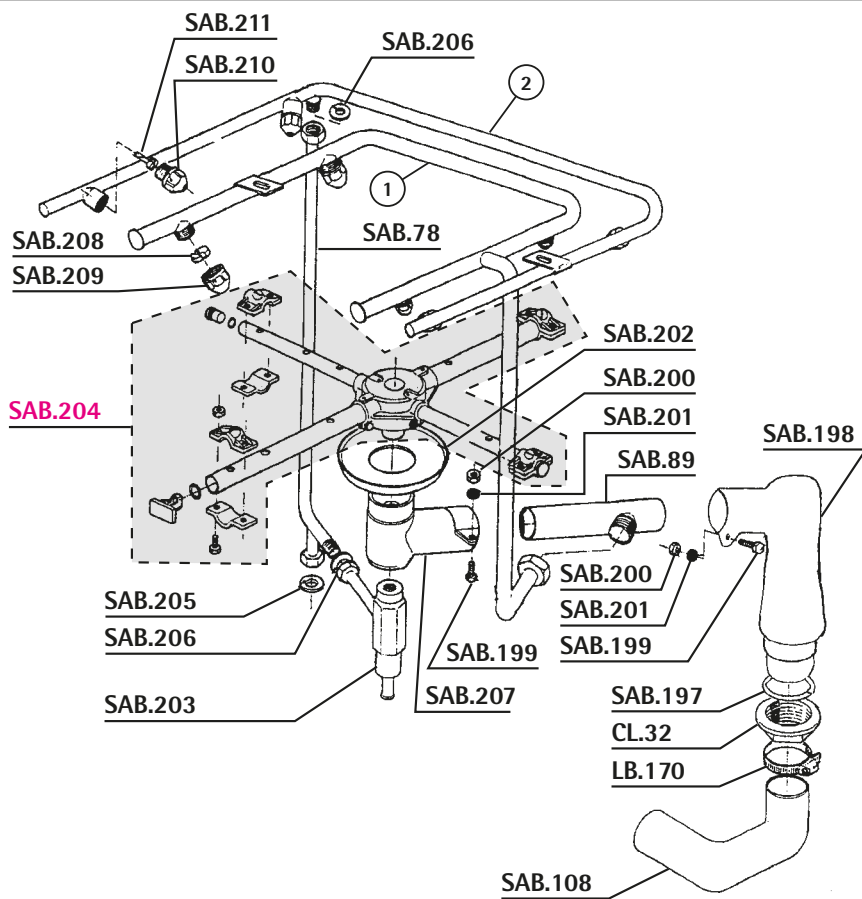


REF.	DESCRIPCIÓN	DESCRIPTION
H25807	ABRAZADERA 25-40	25-40 CLAMP
SAB169	MANGUITO	SLEEVE
SAB170	TUERCA	NUT
SAB171	JUNTA	GASKET
SAB172	CODO	ELBOW
SAB173	TUBO	PIPE
SAB174	JUNTA	GASKET
SAB175	ARANDELA	WASHER
SAB176	TUERCA	NUT
SAB177	SOPORTE GIRATORIO	GIRATORY SUPPORT
SAB178	JUNTA	GASKET
SAB179	TUERCA	NUT
SAB180	ARANDELA	WASHER
SAB181	JUNTA	GASKET
SAB183	ROMPECHORROS	THREAD
SAB184	ROCIADOR	SPRAY
SAB185	TORNILLO	SCREW
SAB186	TORNILLO	SCREW
SAB187	EJE GIRATORIO	GIRATORY ROD
SAB188	ROCIADOR	SPRAY
SAB189	ROMPECHORROS	THREAD
SAB329	COLECTOR INFERIOR	LOWER COLLECTOR



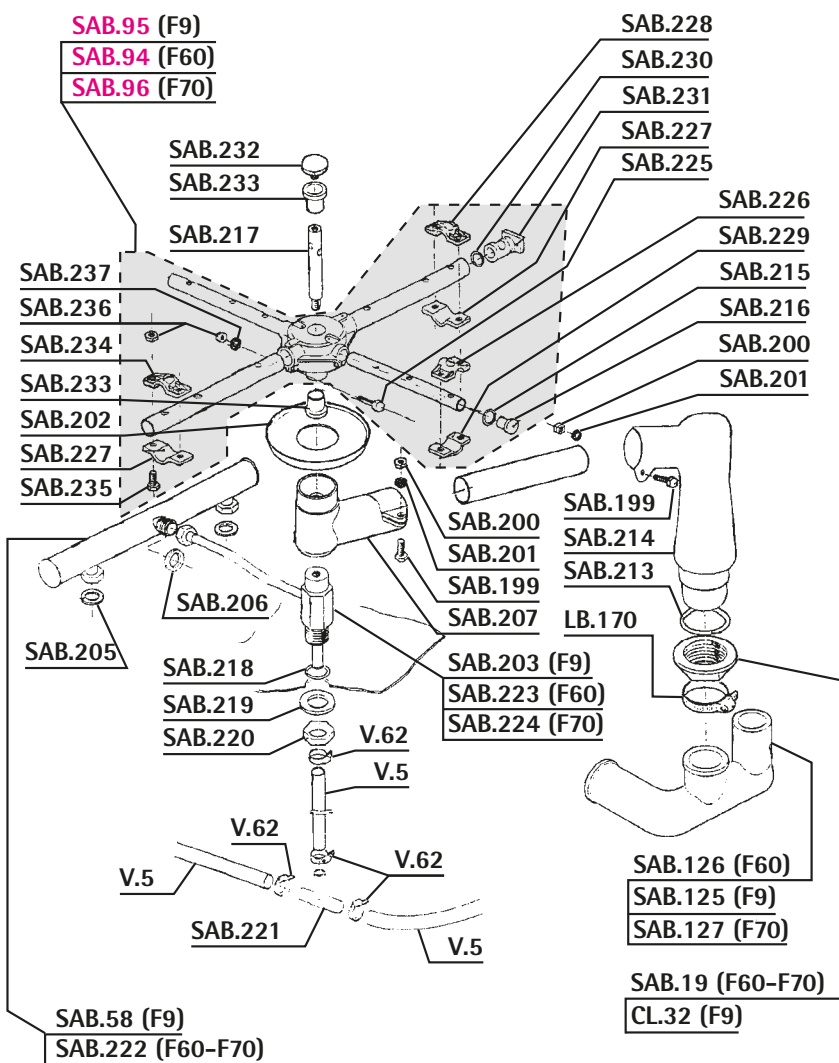
REF.	DESCRIPCIÓN	DESCRIPTION
SAB..5	TERMOSTATO SEGURIDAD 60°	60° THERMOSTAT
SAB.27	CIERRE PUERTA	CLOSING DOOR
SAB.28	MICRO 250V 15A	250V 15A MICROSWITCH
SAB.60	PROGRAMADOR 3MICROS 180S	3 TOOTH 180S TIMER
SAB.69	PILOTO NARANJA	ORANGE WARNING LAMP
SAB190	PATA	FOOT
SAB191	POMO	KNOB
SAB192	TERMOSTATO	THERMOSTAT
SAB193	PILOTO	PILOT
SAB194	INTERRUPTOR	SWITCH
SAB195	INTERRUPTOR	SWITCH





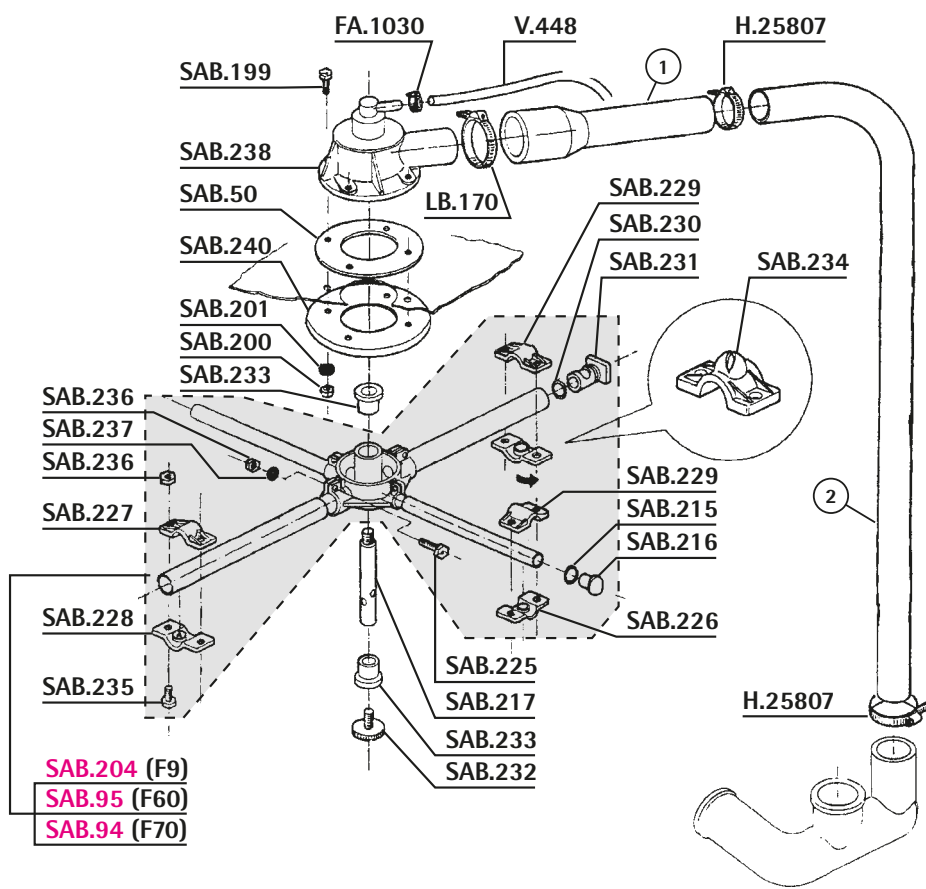
REF.	DESCRIPCIÓN	DESCRIPTION
CL..32	TUERCA PLASTICO	PLASTIC NUT
LB.170	ABRAZADERA 40-60	40-60 CLAMP
SAB.78	COLUMNA ASTA ACLARADO	RINSE ARM COLUMN
SAB.89	TUBO UNION	JUNCTION PIPE
SAB108	MANG.SALIDA 87/88	87/88 DRAIN SLEEVE
SAB197	JUNTA	GASKET
SAB198	MANGUITO	SLEEVE
SAB199	TORNILLO	SCREW
SAB200	TUERCA	NUT
SAB201	ARANDELA	WASHER
SAB202	ADAPTADOR	ADAPTOR
SAB203	SOPORTE GIRATORIO	GIRATORY SUPPORT
SAB204	GITATORIO LAVADO	WASHING GIRATORY
SAB205	JUNTA	GASKET
SAB206	JUNTA	GASKET
SAB207	COLECTOR INFERIOR	LOWER COLECTOR
SAB208	ROMPECHORRO	THREAD
SAB209	ROCIADOR	SPRAY
SAB210	ROCIADOR	SPRAY
SAB211	ROMPECHORROS	THREAD

Lavado F9 - F60 - F70 - 90 -600 - 700 ■ F9 - F60 - F70 - 90 -600 - 700 Wash

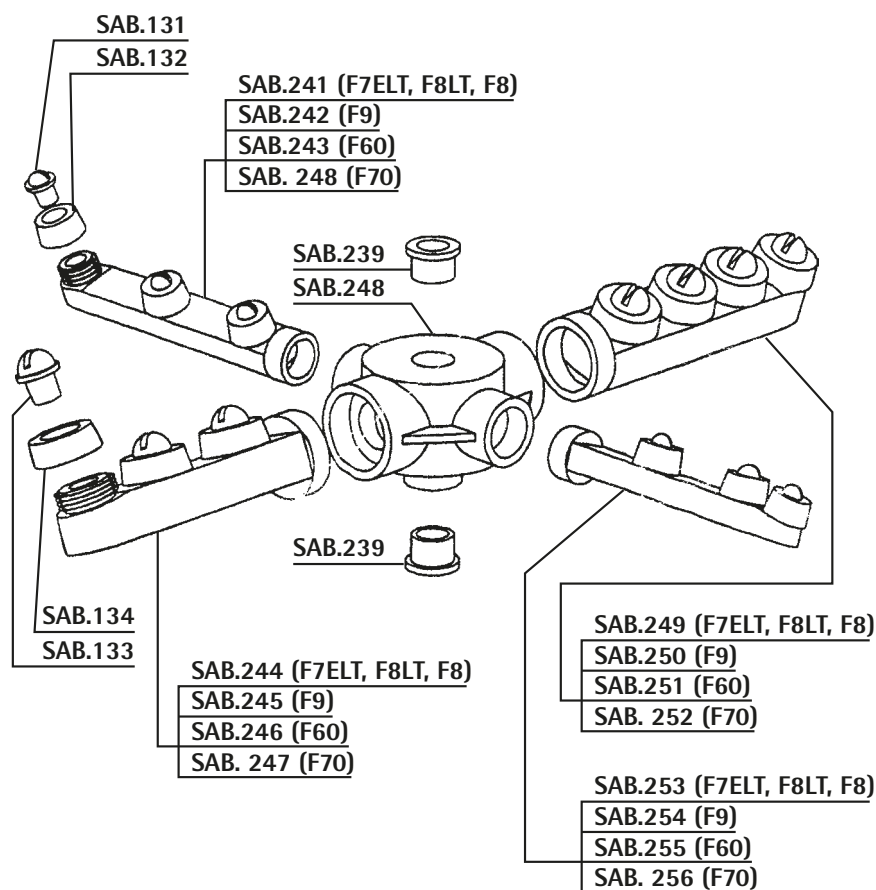


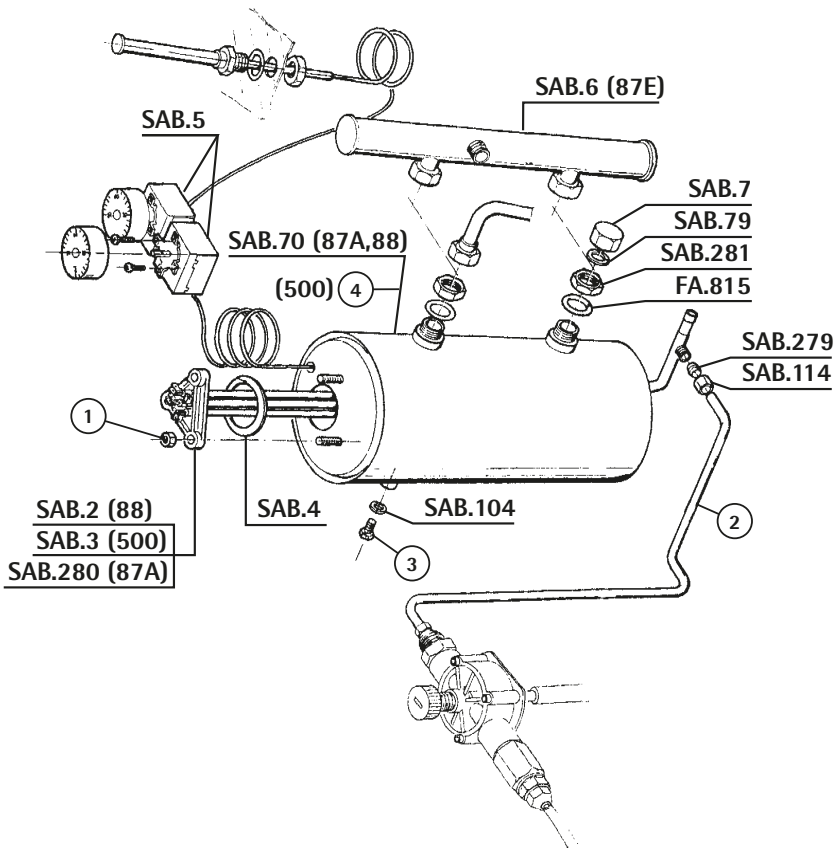
REF.	DESCRIPCIÓN	DESCRIPTION
CL..32	TUERCA	NUT
LB.170	ABRAZADERA 40-60	40-60 CLAMP
SAB.19	TUERCA PLASTICO	PLASTIC NUT
SAB.58	INTERCAMBIADOR F8/80/9/90	F8/80/9/90 HEAT EXCHANGER
SAB.94	GIRANTE INF.F9/F90	F9/F90 LOWER GYRATORY
SAB.95	GIRANTE F60/F600	F60/F600 GYRATORY
SAB.96	GIRANTE F70/700	F70/F700 GYRATORY
SAB125	MANGUITO F9/F90	F9/F90 SLEEVE
SAB126	MANGUITO F60/F600	F60/F600 SLEEVE
SAB127	MANGUITO F70/F700	F70/F700 SLEEVE
SAB199	TORNILLO	SCREW
SAB200	TUERCA	NUT
SAB201	ARANDELA	WASHER
SAB202	ADAPTADOR	ADAPTOR
SAB203	SOPORTE GIRATORIO	GIRATORY SUPPORT
SAB205	JUNTA	GASKET
SAB206	JUNTA	GASKET
SAB207	COLECTOR INFERIOR	LOWER COLECTOR
SAB213	JUNTA	GASKET
SAB214	MANGUITO	SLEEVE
SAB215	JUNTA GIRATORIO	GIRATORY GASKET
SAB216	TAPON GIRATORIO	GIRATORY COVER
SAB217	EJE	ROD
SAB218	JUNTA	GASKET
SAB219	ARANDELA	WASHER
SAB220	TUERCA	NUT
SAB221	T EMPALME	T ASSEMBLY
SAB222	DISTRIBUIDOR	DISTRIBUTOR
SAB223	SOPORTE GIRATORIO F60	F60 GIRATORY SUPPORT
SAB224	SOPORTE GIRATORIO F70	F70 GIRATORY SUPPORT
SAB225	TORNILLO	SCREW
SAB226	ROCIADOR	SPRAY
SAB227	BRIDA ROCIADOR	SPRAY CLASP
SAB228	ROCIADOR	SPRAY
SAB229	BRIDA ROCIADOR	SPRAY CLASP
SAB230	JUNTA	GASKET
SAB231	TAPON GIRATORIO	GIRATORY COVER
SAB232	TORNILLO	SCREW
SAB233	CASQUILLO	CAP
SAB234	ROCIADOR	SPRAY
SAB235	TORNILLO	SCREW
SAB236	TUERCA	NUT
SAB237	ARANDELA	WASHER
V....5	TUBO GOMA 10X16 20 ATM	20ATM 10X17 RUBBER PIPE
V..62	ABRAZADERA 12-20	12-20 CLAMP

REF.	DESCRIPCIÓN	DESCRIPTION
FA1030	JUNTA ALIMENTARIA	ALIMENTARY GASKET
H25807	ABRAZADERA 25-40	25-40 CLAMP
LB.170	ABRAZADERA 40-60	40-60 CLAMP
SAB.50	JUNTA GOMA	RUBBER GASKET
SAB.94	GIRANTE INF.F9/F90	F9/F90 LOWER GYRATORY
SAB.95	GIRANTE F60/F600	F60/F600 GYRATORY
SAB199	TORNILLO	SCREW
SAB200	TUERCA	NUT
SAB201	ARANDELA	WASHER
SAB204	GITATORIO LAVADO	WASHING GIRATORY
SAB215	JUNTA GIRATORIO	GIRATORY GASKET
SAB216	TAPON GIRATORIO	GIRATORY COVER
SAB217	EJE	ROD
SAB225	TORNILLO	SCREW
SAB226	ROCIADOR	SPRAY
SAB227	BRIDA ROCIADOR	SPRAY CLASP
SAB228	ROCIADOR	SPRAY
SAB229	BRIDA ROCIADOR	SPRAY CLASP
SAB230	JUNTA	GASKET
SAB231	TAPON GIRATORIO	GIRATORY COVER
SAB232	TORNILLO	SCREW
SAB233	CASQUILLO	CAP
SAB234	ROCIADOR	SPRAY
SAB235	TORNILLO	SCREW
SAB236	TUERCA	NUT
SAB237	ARANDELA	WASHER
SAB238	COLECTOR SUPERIOR	UPPER COLECTOR
SAB240	PLETINA	PLATE
V.448	TUBO PRESOSTATO-METRO 4X6	4X6 PRE.SWITCH INLET PIPE



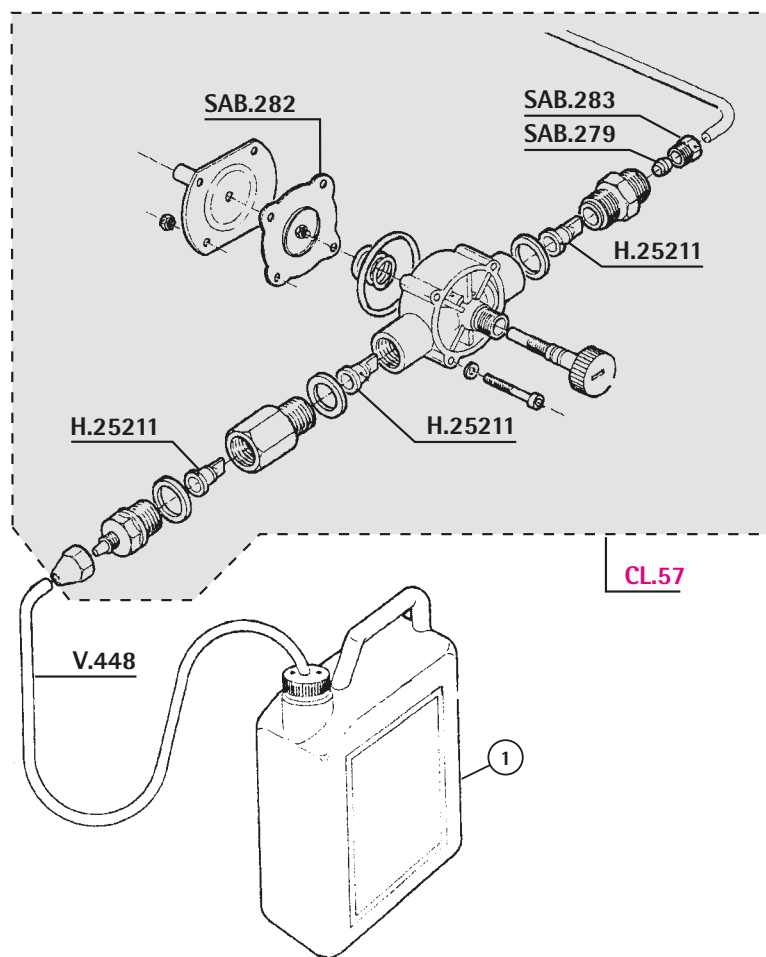
REF.	DESCRIPCIÓN	DESCRIPTION
SAB131	ROCIADOR ACLARADO	RINSE SPRAY
SAB132	TUERCA ROCIADOR ACLARADO	RINSE SPRAY NUT
SAB133	ROCIADOR LAVADO	WASH SPRAY
SAB134	TUERCA ROCIADOR LAVADO	WASH SPRAY NUT
SAB239	CASQUILLO	CAP
SAB241	BRAZO GIRATORIO F7ELT - F8LT -	F7ELT - F8LT - F8 GIRATORY ARM
SAB242	BRAZO GIRATORIO F9	F9 GIRATORY ARM
SAB243	BRAZO GIRATORIO F60	F60 GIRATORY ARM
SAB244	BRAZO GIRATORIO F7ELT - F8LT -	F7ELT - F8LT - F8 GIRATORY ARM
SAB245	BRAZO GIRATORIO F9	F9 GIRATORY ARM
SAB246	BRAZO GIRATORIO F60	F60 GIRATORY ARM
SAB247	BRAZO GIRATORIO F70	F70 GIRATORY ARM
SAB248	CRUCETA	CROSSHEAD
SAB249	BRAZO GIRATORIO F7ELT - F8LT -	F7ELT - F8LT - F8 GIRATORY ARM
SAB250	BRAZO GIRATORIO F9	F9 GIRATORY ARM
SAB251	BRAZO GIRATORIO F60	F60 GIRATORY ARM
SAB252	BRAZO GIRATORIO F70	F70 GIRATORY ARM
SAB253	BRAZO GIRATORIO F7ELT - F8LT -	F7ELT - F8LT - F8 GIRATORY ARM
SAB254	BRAZO GIRATORIO F9	F9 GIRATORY ARM
SAB255	BRAZO GIRATORIO F60	F60 GIRATORY ARM
SAB256	BRAZO GIRATORIO F70	F70 GIRATORY ARM





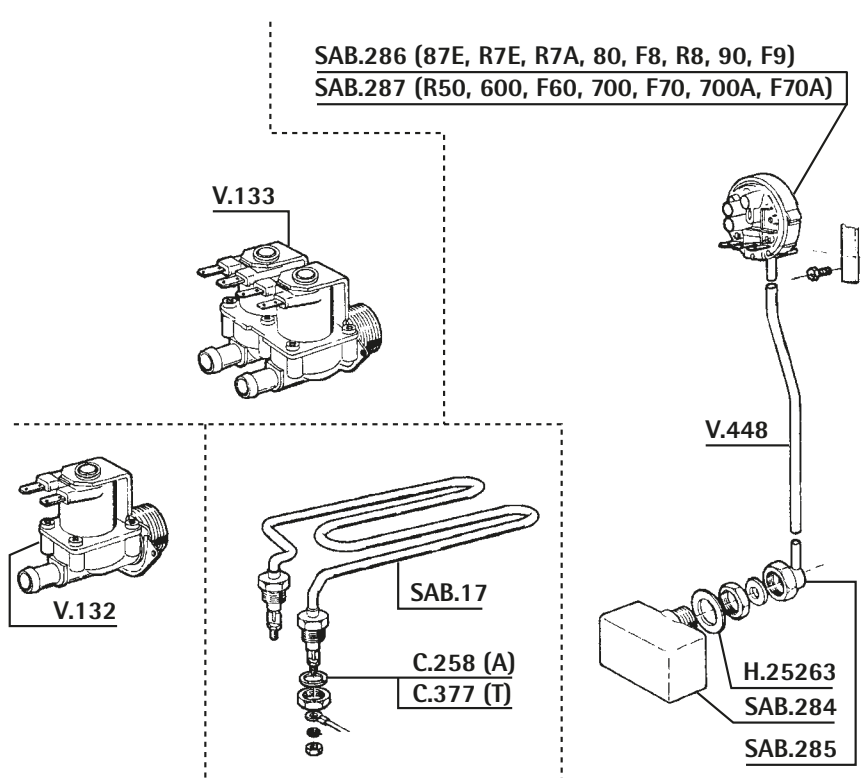
87A = 87E, R7E, R7A, 80, F8
 88 = R8, 90, F9
 500 = R50, 600, F60, 700, F70, 700A, F70A

REF.	DESCRIPCIÓN	DESCRIPTION
FA.815	TORICA GOMA EPDM	RUBBER RING
SAB..2	RESISTENCIA F9/90 2700W 230V	F9/90 2700W 230V RESISTANCE
SAB..3	RESISTENCIA 3990W	3990W 230V RESISTANCE
SAB..4	JUNTA RESISTENCIA GOMA	RESISTANCE RUBBER GASKET
SAB..5	TERMOSTATO SEGURIDAD 60°	60° THERMOSTAT
SAB..6	INTERCAMBIADOR DE CALOR	HEAT EXCHANGER
SAB..7	TUERCA CALDERIN	BOILER NUT
SAB.70	CALDERIN F8/F9/80/90	F8/F9/80/90 BOILER
SAB.79	JUNTA TEFLON	TEFLON GASKET
SAB104	ARANDELA TEFLON	TEFLON WASHER
SAB114	TUERCA	NUT
SAB279	BICONO	BICONE
SAB280	RESISTENCIA CALDERIN 87A	87A BOILER RESIS
SAB281	TUERCA	NUT

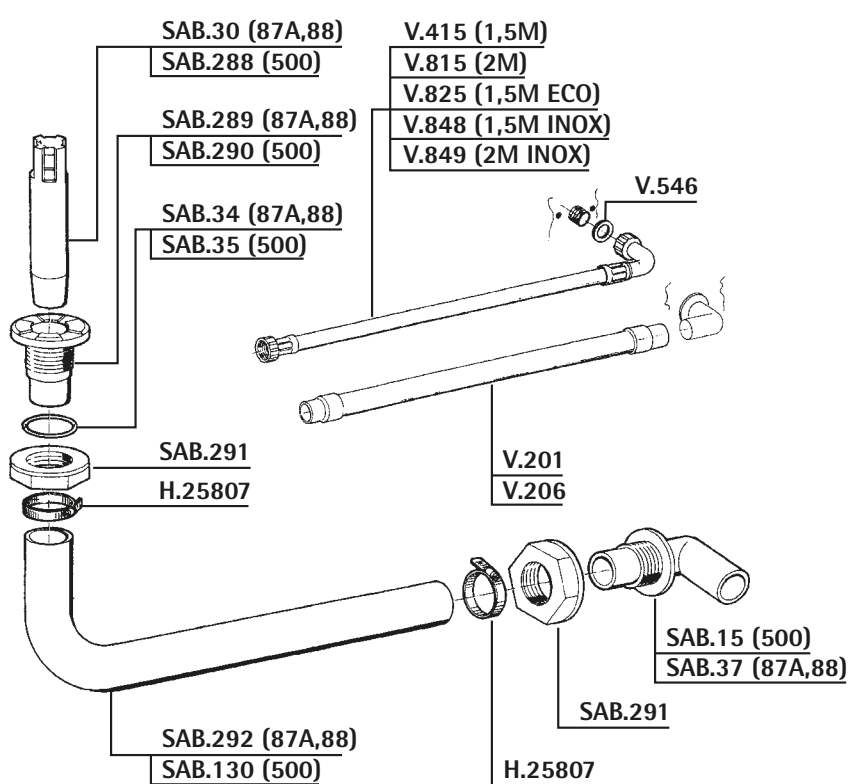


REF.	DESCRIPCIÓN	DESCRIPTION
CL..57	DOSIFICADOR ABRILLANTADOR	RINSE AID DOSIMETER
H25211	VALVULA ABRILLANTADOR	VALVE
SAB279	BICONO	BICONE
SAB282	MEMBRANA	MEMBRANE
SAB283	RACORD	FITTING
V..448	TUBO PRESOSTATO-METRO 4X6	4X6 PRE.SWITCH INLET PIPE

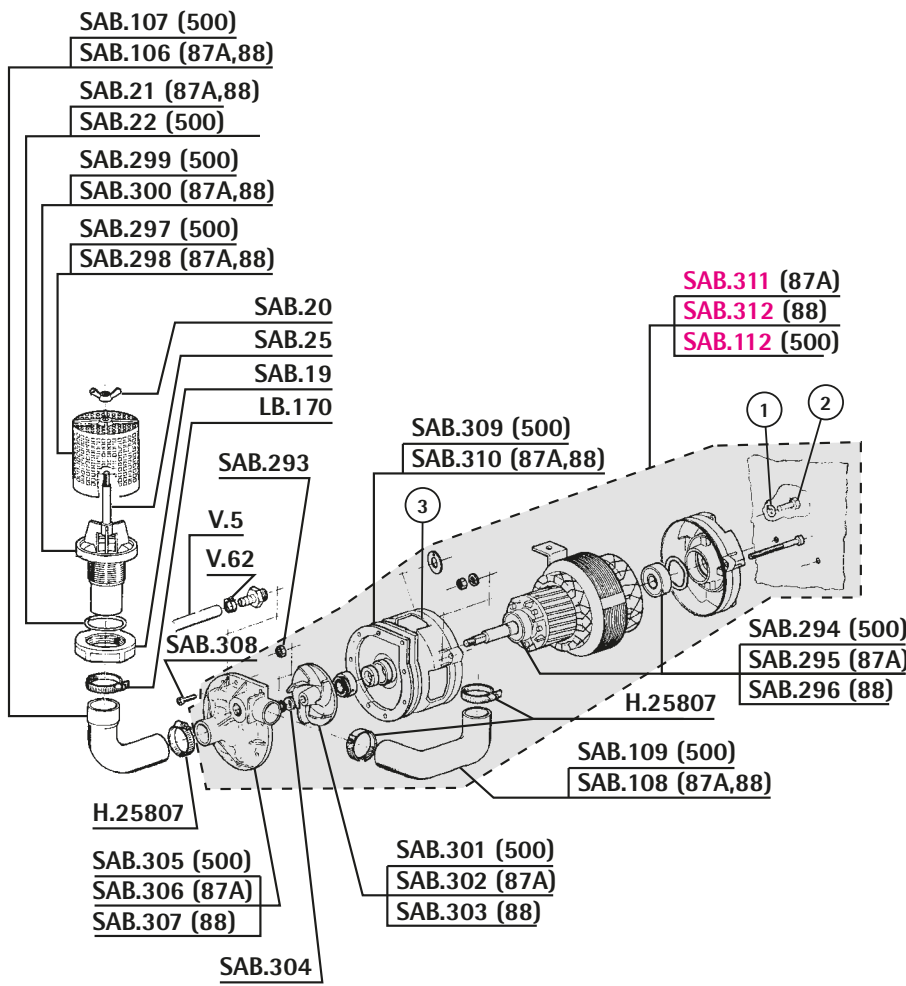
REF.	DESCRIPCIÓN	DESCRIPTION
C..258	JUNTA ALIMENTARIA	ALIMENTARY GASKET
C..377	JUNTA TEFLON	TEFLON GASKET
H25263	JUNTA CIERRE GOMA	CLOSING RUBBER GASKET
SAB.17	RESISTENCIA CUBA 2000W 230V	2000W 230V TANK RESISTANCE
SAB284	CAMARA PRESOSTATICA	PRESOSTAT SWITCH CHAMBER
SAB285	RACORD	FITTING
SAB286	PRESOSTATO	PRESSURE SWITCH
SAB287	PRESOSTATO	PRESSURE SWITCH
V..132	ELECTROVAL.1 VIA LAV.220V	WASH 1 WAY 220V SOLENOID
V..133	ELECTROVAL.2 VIA LAV.220V	WASH 2 WAYS 220V SOLENOID
V..448	TUBO PRESOSTATO-METRO 4X6	4X6 PRE.SWITCH INLET PIPE



REF.	DESCRIPCIÓN	DESCRIPTION
H25807	ABRAZADERA 25-40	25-40 CLAMP
SAB.15	RACOR CODO F60/70/600/700	F60/70/600/700 FITTING
SAB.30	TUBO NIVEL F8/80-F9/90	F8/80 F9/90 LEVEL PIPE
SAB.34	JUNTA GOMA F8/80-F9/90	F8/80/F9/90 RUBBER GASKET
SAB.35	JUNTA GOMA F60/70/600/700	F60/70/600/700 RUBBER G.
SAB.37	RACORD CODO F8/80-F9/90	F-8/80 F-9/90 ELBOW FITTING
SAB130	TUBO DESAG.60/600/70/700	60/600/70/700 OUTLET PIPE
SAB288	REBOSADERO	OVERFLOW
SAB289	RACORD REBOSADERO	OVERFLOW FITTING
SAB290	RACORD REBOSADERO	OVERFLOW FITTING
SAB291	TUERCA	NUT
SAB292	TUBO	PIPE
V..201	TUBO DESAGÜE 28mm. 1,5mt.	28mm. 1.5mt OUTLET PIPE
V..206	TUBO DESAGÜE CON CODO	WITH ELBOW OUTLET PIPE
V..415	TOMA LAVADORA 1,5M	QUALITY 1.5M.INLET W.FLEX
V..546	JUNTA GOMA 3/4	WATER INLET RUBBER GASKET
V..815	TOMA LAVADORA 2 METROS	2 MT.INLET WATER FLEXIBLE
V..825	TOMA LAVADORA 1.5 "ECO"	"ECO"1.5M INLET WA.FLEXIB
V..848	TOMA LAVADORA 1.5M INOX	INOX 1.5M INLET WATER FL.
V..849	TOMA LAV.INOX 2MT.3/4X3/4	INOX 2MT.INLET WATER FLE.

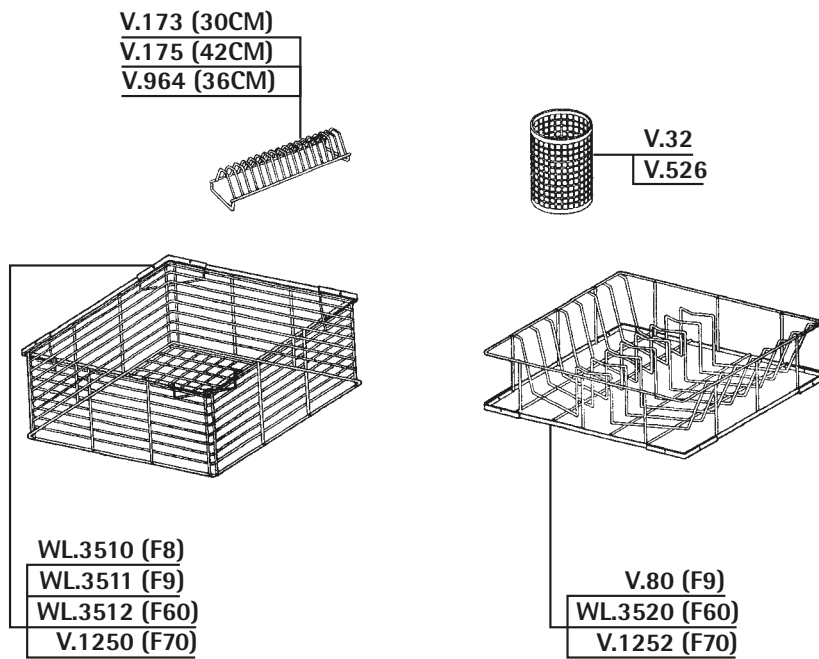


87A = 87E, R7E, R7A, 80, F8
 88 = R8, 90, F9
 500 = R50, 600, F60, 700, F70, 700A, F70A



REF.	DESCRIPCIÓN	DESCRIPTION
H25807	ABRAZADERA 25-40	25-40 CLAMP
LB.170	ABRAZADERA 40-60	40-60 CLAMP
SAB.19	TUERCA PLASTICO	PLASTIC NUT
SAB.20	TUERCA FILTRO PLASTICO	FILTER NUT
SAB.21	TORICA GOMA	RUBBER RING
SAB.22	JUNTA F60/70/600/700 GOMA	F60/70/600/700 RUBBER GAS
SAB.25	EJE FILTRO	FILTER ROD
SAB106	MANG.ASPIR.F8/F80/F9/F90	F8/F80/F9/F90 SUCT.SLEEVE
SAB107	MANG.ASPIR.F60/600/70/700	F60/600/70/700 SUT.SLEEVE
SAB108	MANG.SALIDA 87/88	87/88 DRAIN SLEEVE
SAB109	MANG.SALID.F60/600/70/700	F60/600/70/700 SLEEVE
SAB112	MOTOR RESTO MOD.0.75HP	REST MOD.0.75HP MOTOR
SAB293	TUERCA	NUT
SAB294	COJINETE	BALL BEARING
SAB295	COJINETE	BALL BEARING
SAB296	COJINETE	BALL BEARING
SAB297	FILTRO	FILTER
SAB298	FILTRO	FILTER
SAB299	RACORD FILTRO	FILTER FITTING
SAB300	RACOR FILTRO	FILTER FITTING
SAB301	TURBINA	TURBINE
SAB302	TURBINA	TURBINE
SAB303	TURBINA	TKURBINE
SAB304	ARANDELA	WASHER
SAB305	TAPA MOTOR	MOTOR LID
SAB306	TAPA MOTOR	MOTOR LID
SAB307	TAPA MOTOR	MOTOR LID
SAB308	TORNILLO	SCREW
SAB309	JUNTA MOTOR	MOTOR GASKET
SAB310	JUNTA MOTOR	MOTOR GASKET
SAB311	MOTOR 87A	87A MOTOR
SAB312	MOTOR 88A	88A MOTOR
V....5	TUBO GOMA 10X16 20 ATM	20ATM 10X17 RUBBER PIPE
V...62	ABRAZADERA 12-20	12-20 CLAMP

87A = 87E, R7E, R7A, 80, F8
 88 = R8, 90, F9
 500 = R50, 600, F60, 700, F70, 700A, F70A



REF.	DESCRIPCIÓN	DESCRIPTION
V...32	CESTO CUCHARAS PLASTICO	PLASTIC SPOON BASKET
V...80	CESTO CUADRO PLATOS 36x36	36X36 DISH BASKET
V.173	INSERTO PLATOS 30CMT.	30CMT DISHES INSERT
V.175	INSERTO PLATOS 42CMT.	42CMT DISHES INSERT
V.526	CESTO CUCHARAS CUADRADO	SQUARE SPOON BASKET
V.964	INSERTO PLATOS 36cm	36cm DISHES INSERT
V.1250	CESTA VASOS 50X50	50X50 GLASSES RACK
V.1252	CEST.PLATOS-BANDEJA 50X50	PLATES AND TRAYS RACK
WL3510	CESTO CUADRO VASOS 36x36	36X36 GLASSES BASKET
WL3511	CESTO CUADRO VASOS 40x40	40X40 GLASSES BASKET
WL3512	CESTO CUADRO VASOS 45x45	45X45 GLASSES BASKET
WL3520	CESTO CUADRO PLATOS 45x45	45X45 DISH BASKET

GAMA COMPLETA VER PÁG. 34
 COMPLETE RANGE SEE PAG. 34

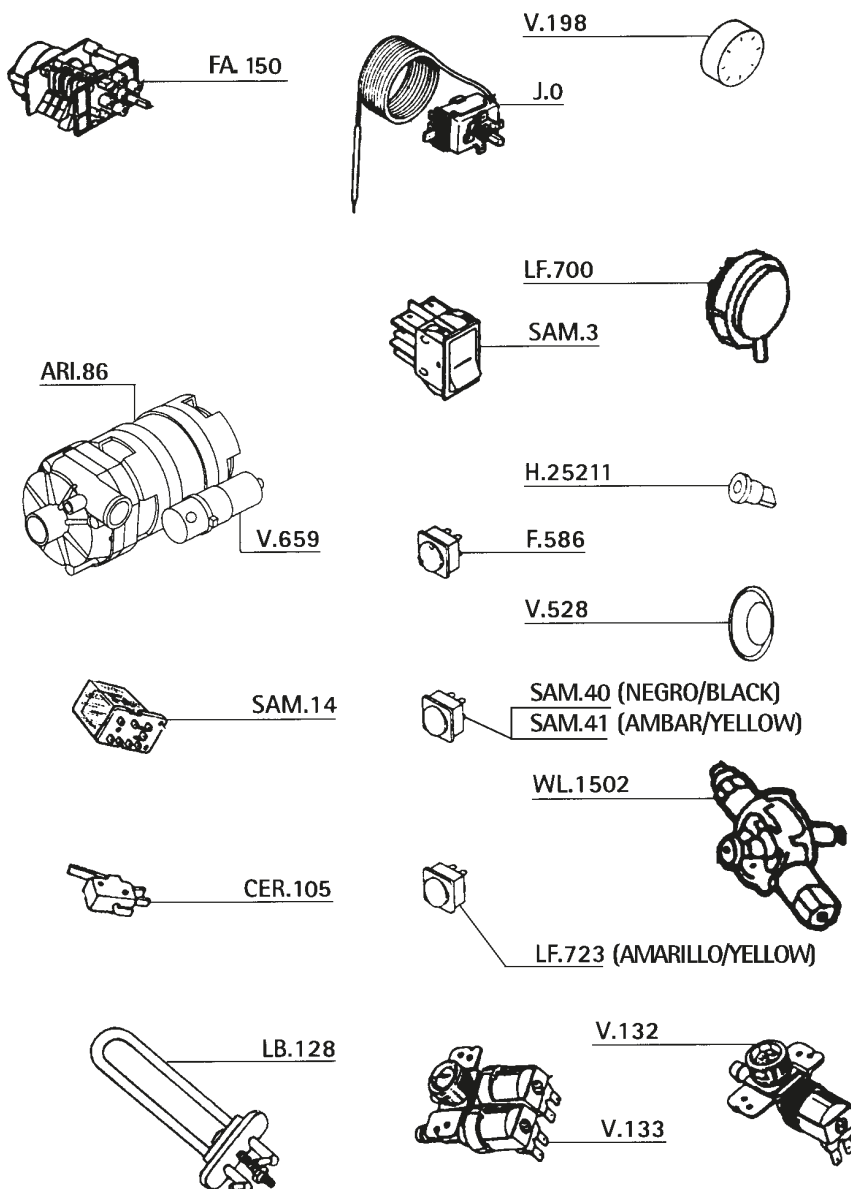
The components with circle are under request.
 ① ② ③ ... CONSULT US.

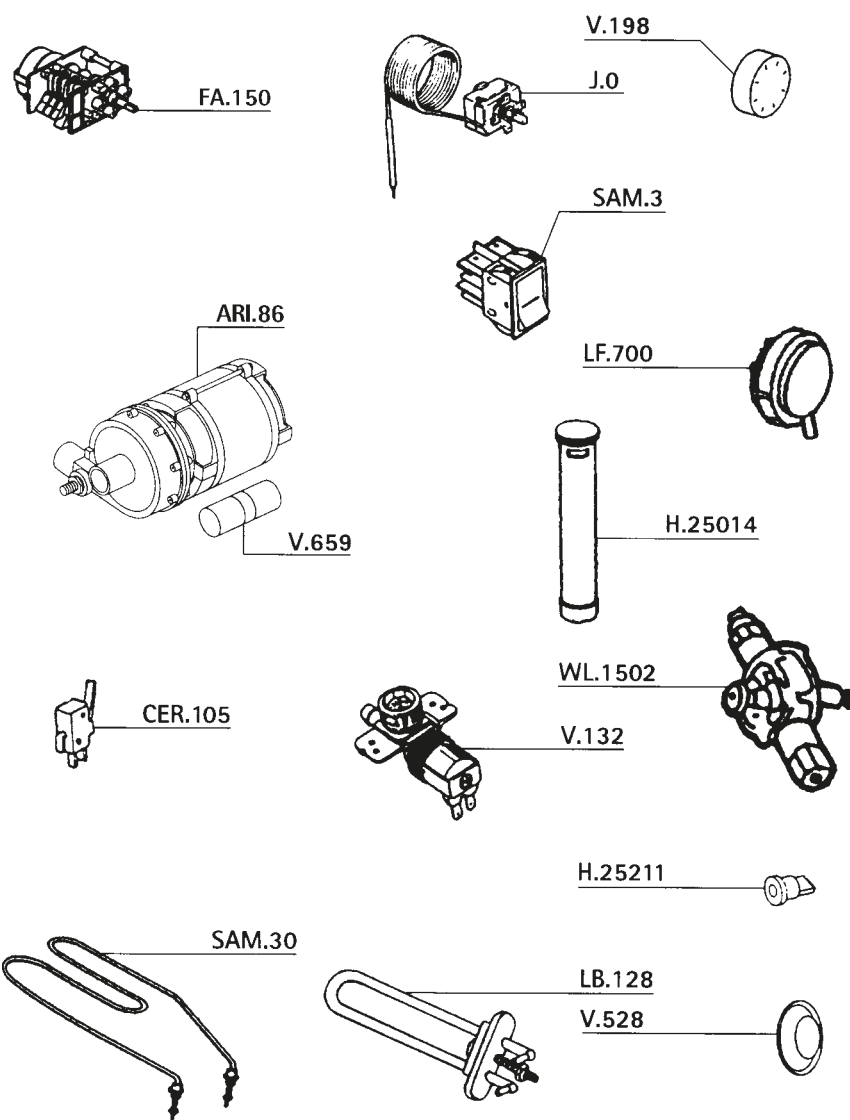
Índice SAMMIC index

E-18 / LVT-18 / 18A	E-18 / LVT-18 / 18A	1440
E-19	E-19	1441
LVT-19	LVT-19	1442
S-21	S-21	1443
SB-22 / S-23 / SB-23	SB-22 / S-23 / SB-23	1444
Carrocería / Calderín / Varios SV-18 / SV-18H	SV-18 / SV-18H Bodywork / Boiler / Various	1445
Aclarado / Lavado / Desagüe SV-18 / SV-18H	SV-18 / SV-18H Wash-Rinse / Drain	1446
Varios SV-18	SV-18 Various	1447
Carrocería / Calderín / Varios SV-19	SV-19 Bodywork / Boiler / Various	1448
Aclarado / Lavado SV-19	SV-19 Wash / Rinse	1449
Carrocería / Calderín / Varios SV-20 / SV-21 / SV-21B	SV-20 / SV-21 / SV-21B Bodywork / Boiler / Various	1450
Aclarado / Lavado / Desagüe SV-20 / SV-21 / SV-21B	SV-20 / SV-21 / SV-21B Wash/ Rinse / Drain	1451
Carrocería / Calderín / Varios SP-23 / SP-23B	SP-23 / SP-23B Bodywork / Boiler / Various	1452
Aclarado / Lavado / Desagüe SP-23 / SP-23B	SP-23 / SP-23B Wash / Rinse / Drain	1453
Carrocería / Calderín / Varios SP-290 / SP-350 / SP-550 / SP-550B	SP-290 / SP-350 / SP-550 / SP-550B Bodywork / Boiler / Various	1454
Aclarado / Lavado / Desagüe SP-290 / SP-350 / SP-550 / SP-550B	SP-290 / SP-350 / SP-550 / SP-550B Rinse / Wash / Drain	1455
Carrocería / Calderín / Varios SP-800	SP-800 Bodywork / Boiler / Various	1456
Aclarado / Lavado / Desagüe SP-800	SP-800 Rinse / Wash / Drain	1457
Varios SL290 / B - SL350 / B - SL550 / B / BP	SL290 / B - SL350 / B - SL550 / B / BP Various	1458
Carrocería / Calderín / Varios SC-1100	SC-1100 Bodywork / Boiler / Various	1459
Aclarado / Lavado / Desagüe SC-1100	SC-1100 Rinse / Wash / Drain	1460
Carrocería / Calderín / Varios SC-1200	SC-1200 Bodywork / Boiler / Various	1461
Lavado / Aclarado / Desagüe SC-1200	SC-1200 Wash / Rinse / Drain	1462
Varios SL1100 / B / BP - SL1200 / B / BP	SL1100 / B / BP - SL1200 / B / BP Various	1463
Cestos	Baskets	1464

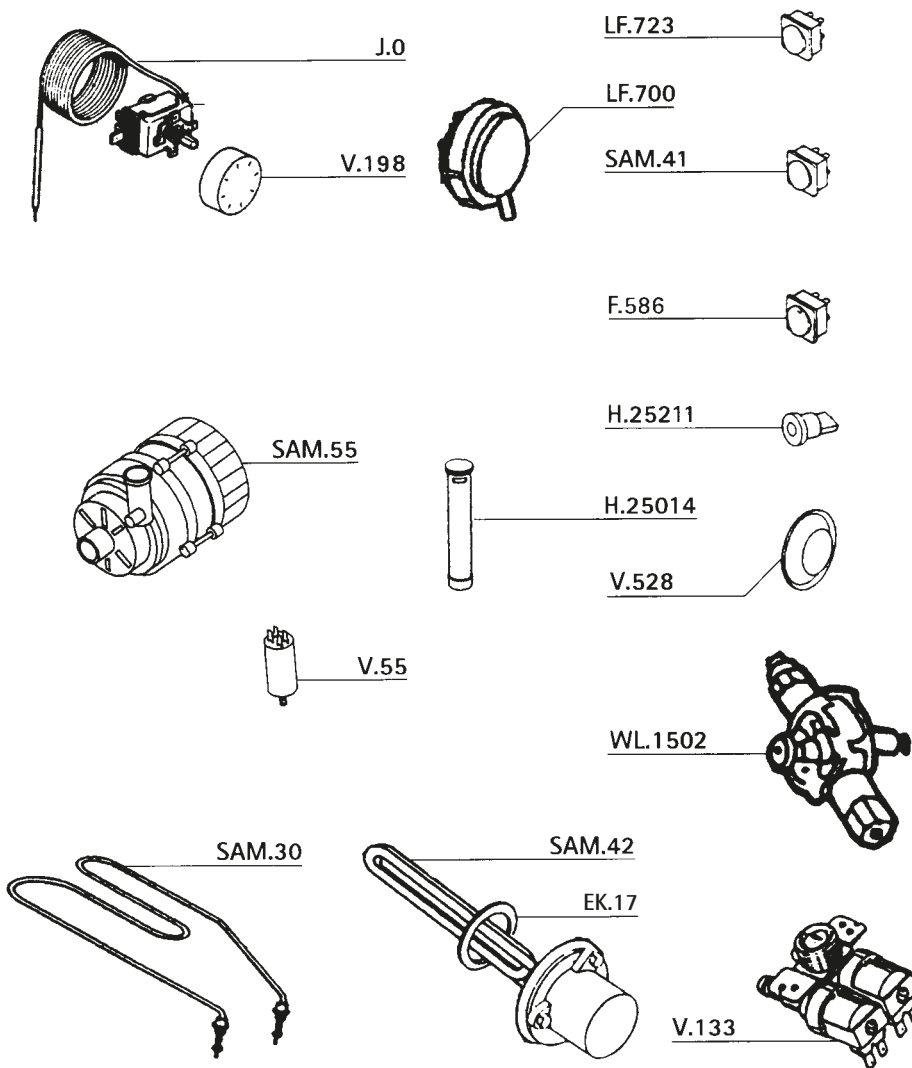
E-18 / LVT-18 / 18A ■ E-18 / LVT-18 / 18A

REF.	DESCRIPCIÓN	DESCRIPTION
ARI.86	MOTOR 0.10HP	0,10 HP MOTOR
CER105	MICRO PALANCA 250V 6A	250V 6A LEVER MICROSWITCH
F.586	INTERRUPTOR REDONDO ROJO	RED ROUND SWITCH
FA.150	PROGRAMADOR 3 MICROS 120S	3 TOOTH 120S TIMER
H25211	VALVULA ABRILLANTADOR	VALVE
J...0	TERMOSTATO 0-90°	0-90° THERMOSTAT
LB.128	RESISTENC.CALDERIN 2000W 230V	2000W 230V BOILER RESISTANCE
LF.700	PRESOSTATO SAL/HOR.80/50	50/80 HORIZ.PRESS SWITCH
LF.723	PULSADOR BIPOLAR AMARILLO	YELLOW PUSH-BUTTON
SAM..3	INTERRUPTOR GENER.NARANJA	ORANGE GENERAL SWITCH
SAM.14	RELE 24V	24V RELAY
SAM.40	PULSADOR NEGRO 250V	BLACK PUSH-BUTTON
SAM.41	PILOTO AMBAR 220V	220V YELLOW LAMP
V..132	ELECTROVAL.1 VIA LAV.220V	WASH 1 WAY 220V SOLENOID
V..133	ELECTROVAL.2 VIA LAV.220V	WASH 2 WAYS 220V SOLENOID
V..198	MANDO TERMOSTATO 90°	90° THERMOSTAT HANDLE
V..528	MEMBRANA SILICONA DOS.ABR	SILICONE MEMBRANE
V..659	CONDENSADOR 5 MF 220V	220V 5MF CONDENSER
WL1502	DOSIFICADOR ABRILLANTADOR	RINSE AID DOSIMETER



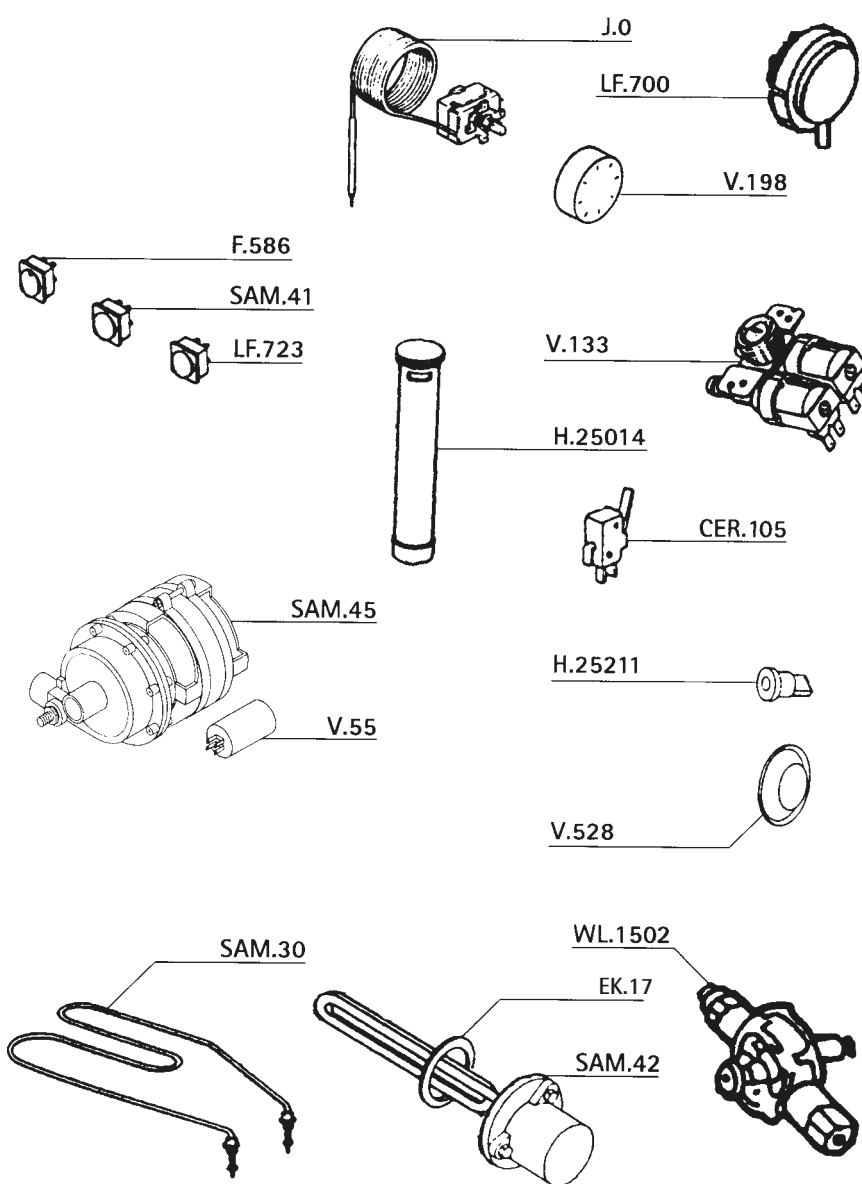


REF.	DESCRIPCIÓN	DESCRIPTION
ARI.86	MOTOR 0.10HP	0,10 HP MOTOR
CER105	MICRO PALANCA 250V 6A	250V 6A LEVER MICROSWITCH
FA.150	PROGRAMADOR 3 MICROS 120S	3 TOOTH 120S TIMER
H25014	SOBRENIVEL	OVERFLOW
H25211	VALVULA ABRILLANTADOR	VALVE
J....0	TERMOSTATO 0-90°	0-90° THERMOSTAT
LB.128	RESISTENC.CALDERIN 2000W 230V	2000W 230V BOILER RESISTANCE
LF.700	PRESOSTATO SAL/HOR.80/50	50/80 HORIZ.PRESS SWITCH
SAM..3	INTERRUPTOR GENER.NARANJA	ORANGE GENERAL SWITCH
SAM.30	RESIST.CUBA 1500W 230V	1500W 230V TANK RESISTANCE
V..132	ELECTROVAL.1 VIA LAV.220V	WASH 1 WAY 220V SOLENOID
V..198	MANDO TERMOSTATO 90°	90° THERMOSTAT HANDLE
V..528	MEMBRANA SILICONA DOS.ABR	SILICONE MEMBRANE
V..659	CONDENSADOR 5 MF 220V	220V 5MF CONDENSER
WL1502	DOSIFICADOR ABRILLANTADOR	RINSE AID DOSIMETER



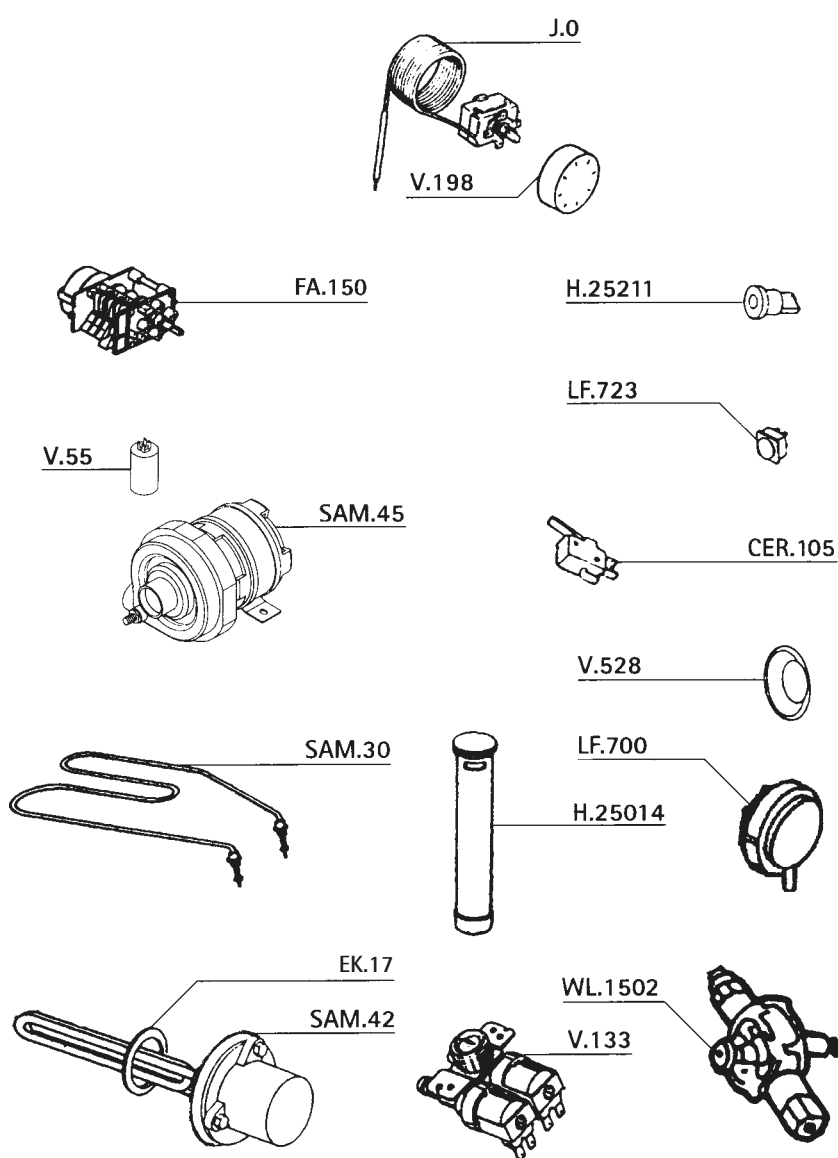
REF.	DESCRIPCIÓN	DESCRIPTION
EK..17	TORICA PORTA SUPLEMENTADA	SUPLEMENT HOLDER RING
F.586	INTERRUPTOR REDONDO ROJO	RED ROUND SWITCH
H25014	SOBRENIVEL	OVERFLOW
H25211	VALVULA ABRILLANTADOR	VALVE
J....0	TERMOSTATO 0-90°	0-90° THERMOSTAT
LF.700	PRESOSTATO SAL/HOR.80/50	50/80 HORIZ.PRESS SWITCH
LF.723	PULSADOR BIPOLAR AMARILLO	YELLOW PUSH-BUTTON
SAM.30	RESIST.CUBA 1500W 230V	1500W 230V TANK RESISTANCE
SAM.41	PILOTO AMBAR 220V	220V YELLOW LAMP
SAM.42	RESISTENCIA CALDERIN 2500W 230	2500W 230V BOILER RESISTANCE
SAM.55	MOTOR 0.30Hp	0.30Hp MOTOR
V...55	CONDENSADOR 10 MF 220V	220V 10MF.CONDENSER
V..133	ELECTROVAL.2 VIA LAV.220V	WASH 2 WAYS 220V SOLENOID
V..198	MANDO TERMOSTATO 90°	90° THERMOSTAT HANDLE
V..528	MEMBRANA SILICONA DOS.ABR	SILICONE MEMBRANE
WL1502	DOSIFICADOR ABRILLANTADOR	RINSE AID DOSIMETER

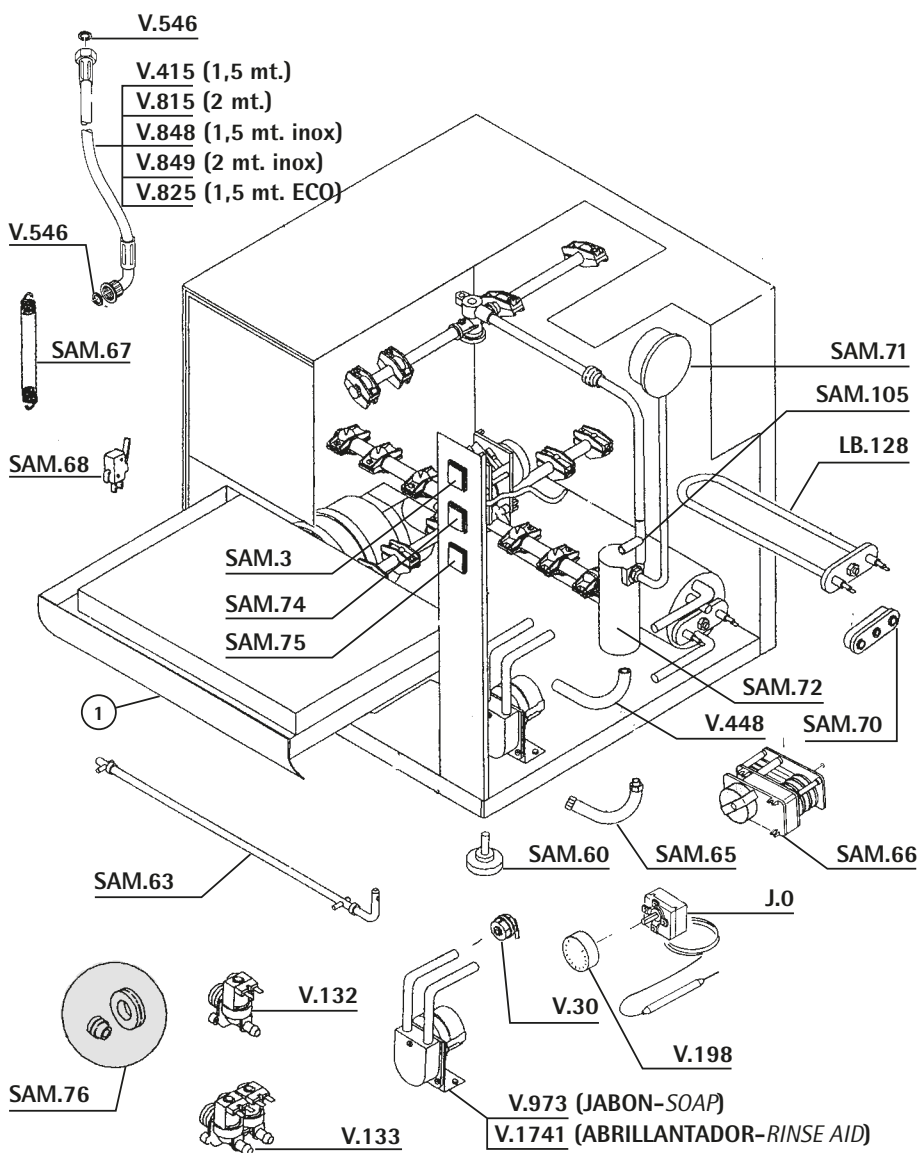
REF.	DESCRIPCIÓN	DESCRIPTION
CER105	MICRO PALANCA 250V 6A	250V 6A LEVER MICROSWITCH
EK..17	TORICA PORTA SUPLEMENTADA	SUPLEMENT HOLDER RING
F.586	INTERRUPTOR REDONDO ROJO	RED ROUND SWITCH
H25014	SOBRENIVEL	OVERFLOW
H25211	VALVULA ABRILLANTADOR	VALVE
J....0	TERMOSTATO 0-90°	0-90° THERMOSTAT
LF.700	PRESOSTATO SAL/HOR.80/50	50/80 HORIZ.PRESS SWITCH
LF.723	PULSADOR BIPOLAR AMARILLO	YELLOW PUSH-BUTTON
SAM.30	RESIST.CUBA 1500W 230V	1500W 230V TANK RESISTANCE
SAM.41	PILOTO AMBAR 220V	220V YELLOW LAMP
SAM.42	RESISTENCIA CALDERIN 2500W 230	2500W 230V BOILER RESISTANCE
SAM.45	MOTOR 0,33 CV	0,33 CV MOTOR
V...55	CONDENSADOR 10 MF 220V	220V 10MF.CONDENSER
V..133	ELECTROVAL.2 VIA LAV.220V	WASH 2 WAYS 220V SOLENOID
V..198	MANDO TERMOSTATO 90°	90° THERMOSTAT HANDLE
V..528	MEMBRANA SILICONA DOS.ABR	SILICONE MEMBRANE
WL1502	DOSIFICADOR ABRILLANTADOR	RINSE AID DOSIMETER



SB-22 / S-23 / SB-23 ■ SB-22 / S-23 / SB-23

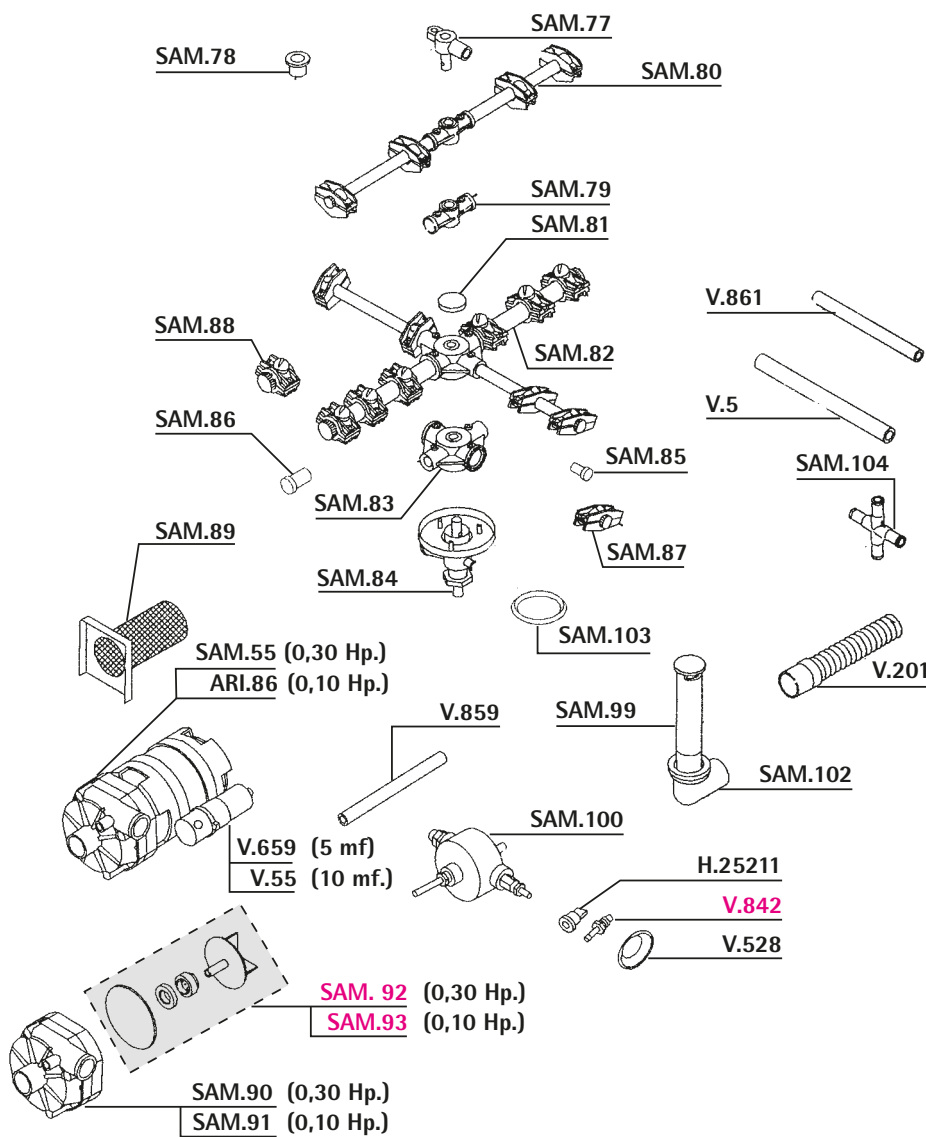
REF.	DESCRIPCIÓN	DESCRIPTION
CER105	MICRO PALANCA 250V 6A	250V 6A LEVER MICROSWITCH
EK..17	TORICA PORTA SUPLEMENTADA	SUPLEMENT HOLDER RING
FA.150	PROGRAMADOR 3 MICROS 120S	3 TOOTH 120S TIMER
H25014	SOBRENIVEL	OVERFLOW
H25211	VALVULA ABRILLANTADOR	VALVE
J....0	TERMOSTATO 0-90°	0-90° THERMOSTAT
LF.700	PRESOSTATO SAL/HOR.80/50	50/80 HORIZ.PRESS SWITCH
LF.723	PULSADOR BIPOLAR AMARILLO	YELLOW PUSH-BUTTON
SAM.30	RESIST.CUBA 1500W 230V	1500W 230V TANK RESISTANCE
SAM.42	RESISTENCIA CALDERIN 2500W 230	2500W 230V BOILER RESISTANCE
SAM.45	MOTOR 0,33 CV	0,33 CV MOTOR
V...55	CONDENSADOR 10 MF 220V	220V 10MF.CONDENSER
V..133	ELECTROVAL.2 VIA LAV.220V	WASH 2 WAYS 220V SOLENOID
V..198	MANDO TERMOSTATO 90°	90° THERMOSTAT HANDLE
V..528	MEMBRANA SILICONA DOS.ABR	SILICONE MEMBRANE
WL1502	DOSIFICADOR ABRILLANTADOR	RINSE AID DOSIMETER





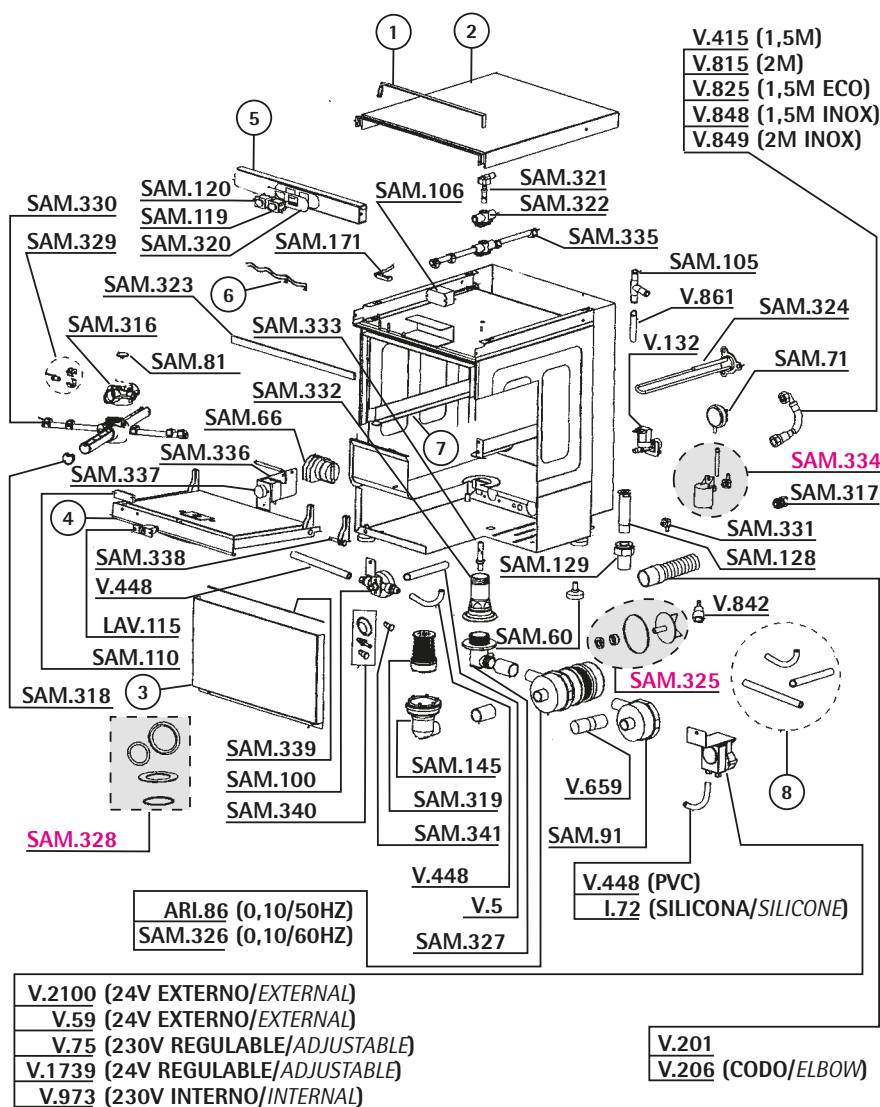
REF.	DESCRIPCIÓN	DESCRIPTION
J....0	TERMOSTATO 0-90°	0-90° THERMOSTAT
LB.128	RESISTENC.CALDERIN 2000W 230V	2000W 230V BOILER RESISTANCE
SAM..3	INTERRUPTOR GENER.NARANJA	ORANGE GENERAL SWITCH
SAM.60	JUEGO PATAS (4 UNIDADES)	FOOT (4UNITS)
SAM.63	CONJUNTO EJE PUERTA	DOOR SHAFT SET
SAM.65	TUBO SILICONA CON RACOR	SILICONE PIPE WITH FITTING
SAM.66	PROGRAMADOR 120s.	120s. TIMER
SAM.67	MUELLE CIERRE PUERTA (3 unidad	SPRING DOOR
SAM.68	MICRO INTERRUPTOR	MICROSWITCH
SAM.70	PAREJA JUNTA GOMA RESISTENCIA	RESISTANCE RUBBER GASKET
SAM.71	PRESOSTATO	PRESSURE SWITCH
SAM.72	CAMARA PRESOSTATICA SV18/18H	PRESS. SWITCH BOWL
SAM.74	PULSADOR LUMINOSO CICLO	CYCLE LUMINOUS BUTTON
SAM.75	PULSADOR AGUA FRIA	COLD RINSE BUTTON
SAM.76	CONJUNTO JUNTAS GOMA	RUBBER SEALS
SAM105	JUEGO CONEXIONES EN T	T CONNECTOR
V...30	RACOR ENTRADA JABON	INLET SOAP FITTING
V..132	ELECTROVALV.1 VIA LAV.220V	WASH 1 WAY 220V SOLENOID
V..133	ELECTROVALV.2 VIA LAV.220V	WASH 2 WAYS 220V SOLENOID
V..198	MANDO TERMOSTATO 90°	90° THERMOSTAT HANDLE
V..415	TOMA LAVADORA 1,5M	QUALITY 1.5M.INLET W.FLEX
V..448	TUBO PRESOSTATO-METRO 4X6	4X6 PRE.SWITCH INLET PIPE
V..546	JUNTA GOMA 3/4	WATER INLET RUBBER GASKET
V..815	TOMA LAVADORA 2 METROS	2 MT.INLET WATER FLEXIBLE
V..825	TOMA LAVADORA 1.5 «ECO»	«ECO»1.5M INLET WA.FLEXIB
V..848	TOMA LAVADORA 1.5M INOX	INOX 1.5M INLET WATER FL.
V..849	TOMA LAV.INOX 2MT.3/4X3/4	INOX 2MT.INLET WATER FLE.
V..973	DOSIFICADOR PERISTALTICO INTER	INTERNAL PERISTALTIC DOS.
V.1741	DOSIF.ABRILL.INTERNO 230V AC	230Vac INTERNAL RINSE DOSIMET

Aclarado / Lavado / Desagüe SV-18 / SV-18H ■ SV-18 / SV-18H Wash-Rinse / Drain

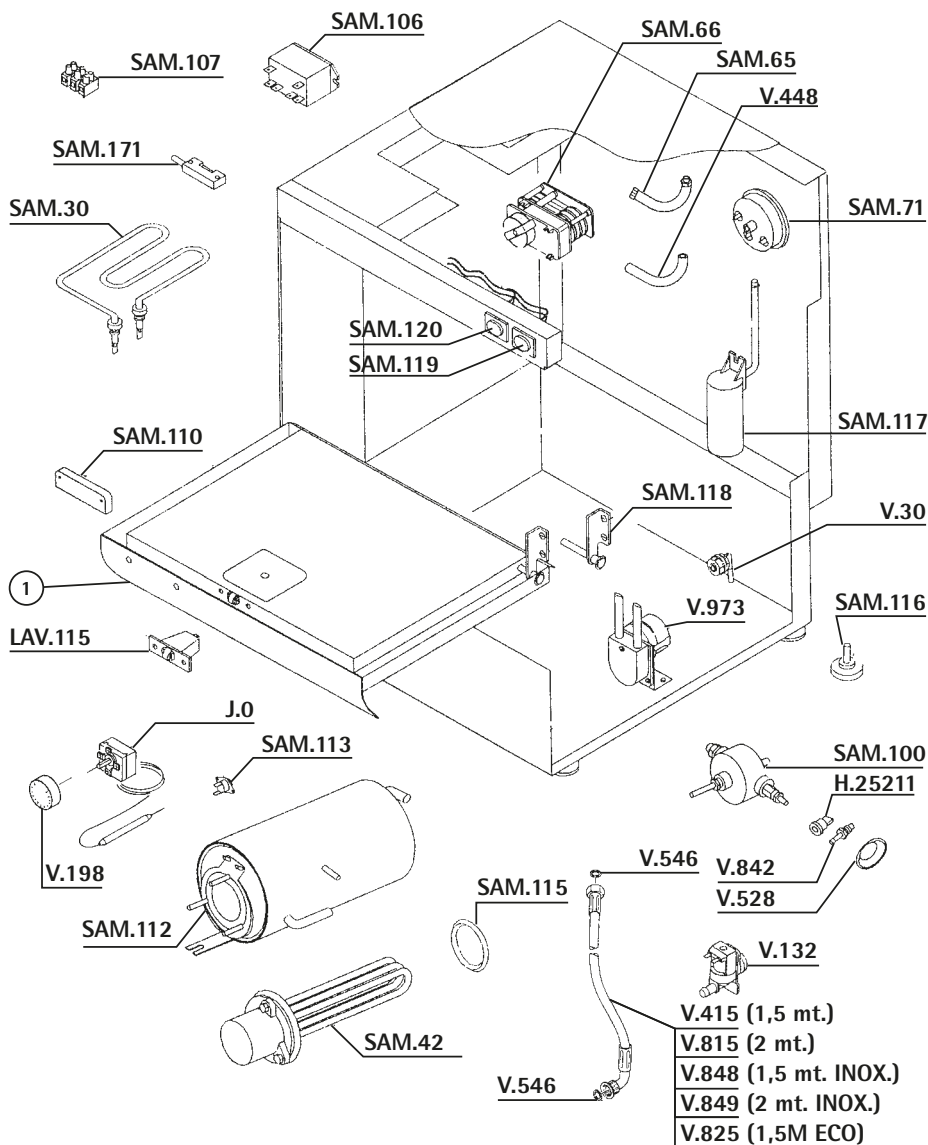


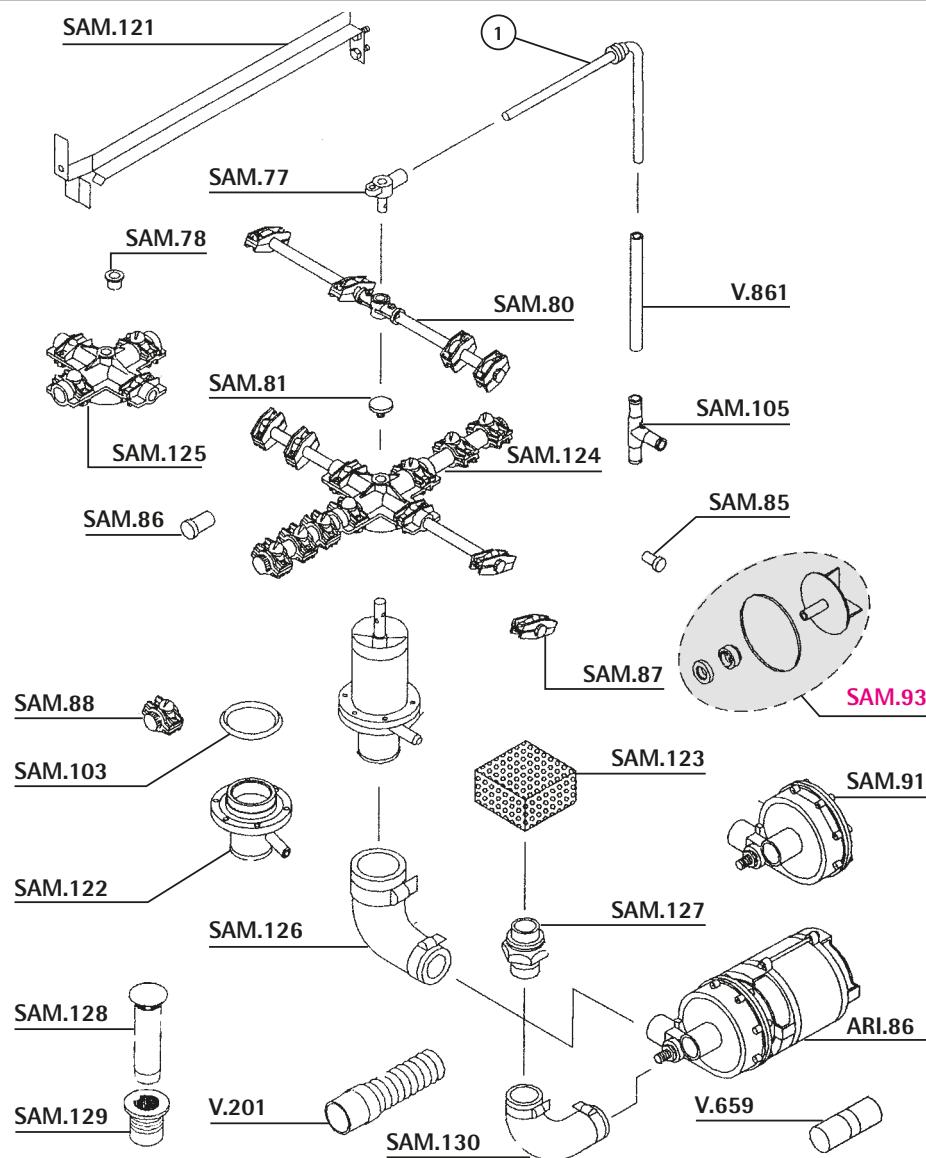
REF.	DESCRIPCIÓN	DESCRIPTION
ARI.86	MOTOR 0.10HP	0,10 HP MOTOR
H25211	VALVULA ABRILLANTADOR	VALVE
SAM.55	MOTOR 0.30Hp	0.30Hp MOTOR
SAM.77	ACOPLADOR SUPERIOR	TOP COUPLING
SAM.78	CONJUNTO CASQUILLO CRUCETA	CROSSHEAD CALLAR
SAM.79	CUERPO DIFUSOR ACLARADO	RINSING DISPENSER BODY
SAM.80	BRAZO ACLARADO	RINSE ARM
SAM.81	CONJUNTO TORNILLO HELICE	SPIRAL SCREW
SAM.82	BRAZO LAVADO	WASHING ARM
SAM.83	CUERPO DIFUSOR LAVADO	WASHING DISPENSER BODY
SAM.84	ACOPLADOR INFERIOR	LOWER COUPLING
SAM.85	CONJUNTO TAPON ACLARADO	RINSING PLUG
SAM.86	CONJUNTO TAPON LAVADO	WASHING PLUG
SAM.87	CONJUNTO DIFUSORES ACLARADO	RINSING SPRAY
SAM.88	JUEGO DIFUSORES LAVADO	WASHING SPRAY
SAM.89	FILTRO	FILTER
SAM.90	TAPA MOTOR 0.30 Hp	0.30 Hp MOTOR LID
SAM.91	TAPA MOTOR 0.10 Hp	0.10 Hp MOTOR LID
SAM.92	ACCESORIOS MOTOR 0.30 HP	0.30 Hp MOTOR ACCESSORIES
SAM.93	ACCESORIOS MOTOR 0.10 Hp	0.10 Hp MOTOR ACCESSORIES
SAM.99	REBOSADERO	DRAIN PLUG
SAM100	DOSIFICADOR	DOSER
SAM102	CODO DESAGÜE	DRAINPIPE ELBOW
SAM103	KIT JUNTAS ACOPLADOR	COUPLING GASKET KIT
SAM104	CONJUNTO RACOR CRUZ (4 UD.)	CROSS CONECTOR
V....5	TUBO GOMA 10X16 20 ATM	20ATM 10X17 RUBBER PIPE
V...55	CONDENSADOR 10 MF 220V	220V 10MF.CONDENSER
V..201	TUBO DESAGÜE 28mm. 1,5mt.	28mm. 1.5mt OUTLET PIPE
V..528	MEMBRANA SILICONA DOS.ABR	SILICONE MEMBRANE
V..659	CONDENSADOR 5 MF 220V	220V 5MF CONDENSER
V..842	VALV.RETENCION DOSF.JABON	SOAP DOS.RETENTION VALVE
V..859	TUBO GOMA 6X12mm 20ATM	20 ATM 6X12mm RUBBER PIPE
V..861	TUBO GOMA 12X22mm 20ATM	20ATM 12X22mm RUBBER PIPE

REF.	DESCRIPCIÓN	DESCRIPTION
ARI.86	MOTOR 0.10HP	0,10 HP MOTOR
I...72	TUBO SILICONA 4x7mm	4x7mm SILICONE PIPE
LAV115	CIERRE PUERTA	CLOSING DOOR
SAM.60	JUEGO PATAS (4 UNIDADES)	FOOT (4UNITS)
SAM.66	PROGRAMADOR 120s.	120s. TIMER
SAM.71	PRESOSTATO	PRESSURE SWITCH
SAM.81	CONJUNTO TORNILLO HELICE	SPIRAL SCREW
SAM.91	TAPA MOTOR 0.10 Hp	0.10 Hp MOTOR LID
SAM100	DOSIFICADOR	DOSER
SAM106	JUEGO CONEXIONES EN T	T CONNECTOR
SAM106	RELE	RELAY
SAM110	IMAN PUERTA	DOOR MAGNET
SAM119	PULSADOR UNIPOLAR LUMINISO	LUMINOUS UNIPOLAR PUSH BUTTON
SAM120	INTERRUPTOR BIPOLAR LUMINOSO	LUMINOUS BIPOLAR SWITCH
SAM128	REBOSADERO	DRAIN PLUG
SAM129	CASQUILLO REBOSADERO	DRAIN PLUG CAP
SAM145	COLECTOR	COLETE
SAM171	INTERRUPTOR MAGNETICO	MAGNETIC SWICH
SAM316	CRUCETA	CROSSHEAD
SAM317	PRENSAESTOPA	STUFFING BOX
SAM318	TAPON BRAZO LAVADO (SET 4 PIEZ	WASHING PLUGS SET (4)
SAM319	FILTRO ASPIRACION	INTAKE FILTER SET
SAM320	ADHESIVO	ADHESIVE
SAM321	ACLOPADOR SUPERIOR ACLARADO	RISING TOP COUPLING
SAM322	DIDTRIBUIDOR ACLARADO	RINSING WATER DISTRIBUTION
SAM323	JUNTA PUERTA	DOOR GASKET
SAM324	RESIS 2000 W	RESIS 2000 W
SAM325	CONJUNTO MOTOBOMBA	MOTOR PUMP SET
SAM326	MOTORBOMBA 0 ,10/60 HZ	MOTORPUMP 0,10/60 HZ
SAM327	SOPORTE INFERIOR	LOWER SUPPORT
SAM328	KIT JUNTAS CALDERIN + FILTRO	BOILER FILTER COUPLING GASKET
SAM329	KIT DIFUSORES + TAPONES ACLARA	RINSING DISPERSER + PLUGS SET
SAM330	TUBOS DIFUSORES	DISPERSERS SET
SAM331	RACOR CODO	ELBOW FITTING
SAM332	TORRETA	TURRET
SAM333	EJE TORRETA	TURRET ROD
SAM334	CAMARA PRESOSTATICA	PRESSURE SWITCH CHAMBRE
SAM335	TUBOS ACLARADO	RINSING DISPENSER PIPES SET
SAM336	TERMOSTATO ACLARADO	RINSING THERMOSTAT
SAM337	MANDO TERMOSTATO	THERMOSTAT KNOB
SAM338	KIT BISAGRAS	HINGES SET
SAM339	JUNTA CIERRE	LOCK GASKET
SAM340	MEMBRANAS + VALVULA DOSIFICADO	DOSING MEMBRANES + VALVES SET
SAM341	VALVULA DOSIFICADOR	DOSING VALVES SET
V...5	TUBO GOMA 10X16 20 ATM	20ATM 10X17 RUBBER PIPE
V...59	DOSIFICADOR PERISTALTICO	DOSIMETER
V...75	DOSIFERISTALICO REGULA	ADJUSTABLE DOSIMETER
V.132	ELECTROVAL.1 VIA LAV.220V	WASH 1 WAY 220V SOLENOID
V.201	TUBO DESAGÜE 28mm. 1,5mt.	28mm. 1.5mt OUTLET PIPE
V.206	TUBO DESAGÜE CON CODO	WITH ELBOW OUTLET PIPE
V.415	TOMA LAVADORA 1,5M	QUALITY 1.5M.INLET W.FLEX
V.448	TUBO PRESOSTATO-METRO 4X6	4X6 PRE.SWITCH INLET PIPE
V.659	CONDENSADOR 5 MF 220V	220V 5MF CONDENSER
V.815	TOMA LAVADORA 2 METROS	2 MT.INLET WATER FLEXIBLE
V.825	TOMA LAVADORA 1.5 «ECO»	«ECO»1.5M INLET WA.FLEXIB
V.842	VALV.RETENCION DOSF.JABON	SOAP DOS.RETENTION VALVE
V.848	TOMA LAVADORA 1.5M INOX	INOX 1.5M INLET WATER FL.
V.849	TOMA LAV.INOX 2MT.3/4X3/4	INOX 2MT.INLET WATER FLE.
V.861	TUBO GOMA 12X22mm 20ATM	20ATM 12X22mm RUBBER PIPE
V.973	DOSIFICADOR PERISTALTICO INTER	INTERNAL PERISTALTIC DOS.
V.1739	DOSIFERISTAL.REGULABLE 24Vac	24Vac ADJUSTABLE DOSIMETER
V.2100	DOSIFICADOR PERISTAL.JABON 24V	24V SOAP DOSIMETER



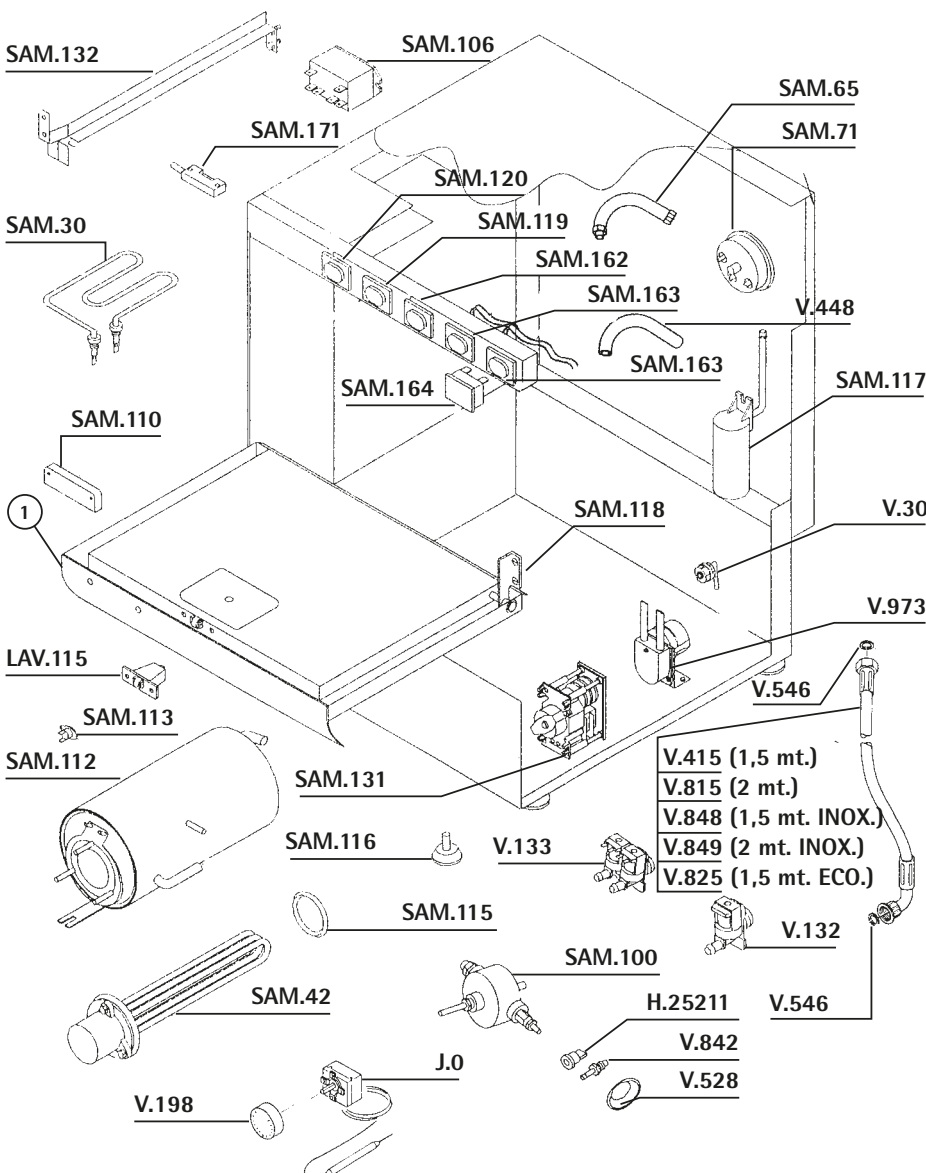
REF.	DESCRIPCIÓN	DESCRIPTION
H25211	VALVULA ABRILLANTADOR	VALVE
J...0	TERMOSTATO 0-90°	0-90° THERMOSTAT
LAV115	CIERRE PUERTA	CLOSING DOOR
SAM.30	RESIST.CUBA 1500W 230V	1500W 230V TANK RESISTANCE
SAM.42	RESISTENCIA CALDERIN 2500W 230	2500W 230V BOILER RESISTANCE
SAM.65	TUBO SILICONA CON RACOR	SILICONE PIPE WITH FITTING
SAM.66	PROGRAMADOR 120s.	120s. TIMER
SAM.71	PRESOSTATO	PRESSURE SWITCH
SAM100	DOSIFICADOR	DOSER
SAM106	RELE	RELAY
SAM107	REGLETA CONEXION	CONNECTION TERMINAL
SAM110	IMAN PUERTA	DOOR MAGNET
SAM112	CALDERIN	BOILER
SAM113	TERMOSTATO SEGURIDAD	SAEITY THERMOSTAT
SAM115	JUNTA RESISTENCIA (JUEGO)	RESISTANCE GASKET
SAM116	CONJUNTO 4 PATAS	FOOT
SAM117	CAMARA PRESOSTATICA	PRESS SWITCH BOWL
SAM118	BISAGRA PUERTA	DOOR HINGE-JOINT
SAM119	PULSADOR UNIPOLAR LUMINISO	LUMINOUS UNIPOLAR PUSH BUTTON
SAM120	INTERRUPTOR BIPOLAR LUMINOSO	LUMINOUS BIPOLAR SWITCH
SAM171	INTERRUPTOR MAGNETICO	MAGNETIC SWICH
V...30	RACOR ENTRADA JABON	INLET SOAP FITTING
V.132	ELECTROVAL.1 VIA LAV.220V	WASH 1 WAY 220V SOLENOID
V.198	MANDO TERMOSTATO 90°	90° THERMOSTAT HANDLE
V.415	TOMA LAVADORA 1,5M	QUALITY 1.5M.INLET W.FLEX
V.448	TUBO PRESOSTATO-METRO 4X6	4X6 PRE.SWITCH INLET PIPE
V.528	MEMBRANA SILICONA DOS.ABR	SILICONE MEMBRANE
V.546	JUNTA GOMA 3/4	WATER INLET RUBBER GASKET
V.815	TOMA LAVADORA 2 METROS	2 MT.INLET WATER FLEXIBLE
V.825	TOMA LAVADORA 1.5 «ECO»	«ECO»1.5M INLET WA.FLEXIB
V.842	VALV.RETENCION DOSF.JABON	SOAP DOS.RETENTION VALVE
V.848	TOMA LAVADORA 1.5M INOX	INOX 1.5M INLET WATER FL.
V.849	TOMA LAV.INOX 2MT.3/4X3/4	INOX 2MT.INLET WATER FLE.
V.973	DOSIFICADOR PERISTALTICO INTER	INTERNAL PERISTALTIC DOS.





REF.	DESCRIPCIÓN	DESCRIPTION
ARI.86	MOTOR 0.10HP	0,10 HP MOTOR
SAM.77	ACOPLADOR SUPERIOR	TOP COUPLING
SAM.78	CONJUNTO CASQUILLO CRUCETA	CROSSHEAD CALLAR
SAM.80	BRAZO ACLARADO	RINSE ARM
SAM.81	CONJUNTO TORNILLO HELICE	SPIRAL SCREW
SAM.85	CONJUNTO TAPON ACLARADO	RINSING PLUG
SAM.86	CONJUNTO TAPON LAVADO	WASHING PLUG
SAM.87	CONJUNTO DIFUSORES ACLARADO	RINSING SPRAY
SAM.88	JUEGO DIFUSORES LAVADO	WASHING SPRAY
SAM.91	TAPA MOTOR 0.10 Hp	0.10 Hp MOTOR LID
SAM.93	ACCESORIOS MOTOR 0.10 Hp	0.10 Hp MOTOR ACCESSORIES
SAM.103	KIT JUNTAS ACOPLADOR	COUPLING GASKET KIT
SAM.105	JUEGO CONEXIONES EN T	T CONNECTOR
SAM.121	KIT SOPORTE GUIA CESTA	BASKET GUIDE HOLDER
SAM.122	ACOPLADOR INFERIOR	LOWER COUPLING
SAM.123	FILTRO	FILTER
SAM.124	BRAZO LAVADO	WASH ARM
SAM.125	CRUCETA	CROSSHEAD
SAM.126	CODO EXPULSION	EJECTION ELBOW
SAM.127	CONJUNTO CASQUILLO FILTRO	FILTER CAP
SAM.128	REBOSADERO	DRAIN PLUG
SAM.129	CASQUILLO REBOSADERO	DRAIN PLUG CAP
SAM.130	CODO ASPIRACION	INTAKE ELBOW
V.201	TUBO DESAGÜE 28mm. 1,5mt.	28mm. 1.5mt OUTLET PIPE
V.659	CONDENSADOR 5 MF 220V	220V 5MF CONDENSER
V.861	TUBO GOMA 12X22mm 20ATM	20ATM 12X22mm RUBBER PIPE

Carrocería / Calderín / Varios SV-20 / SV-21 / SV-21B ■ SV-20 / SV-21 / SV-21B Bodywork / Boiler / Various

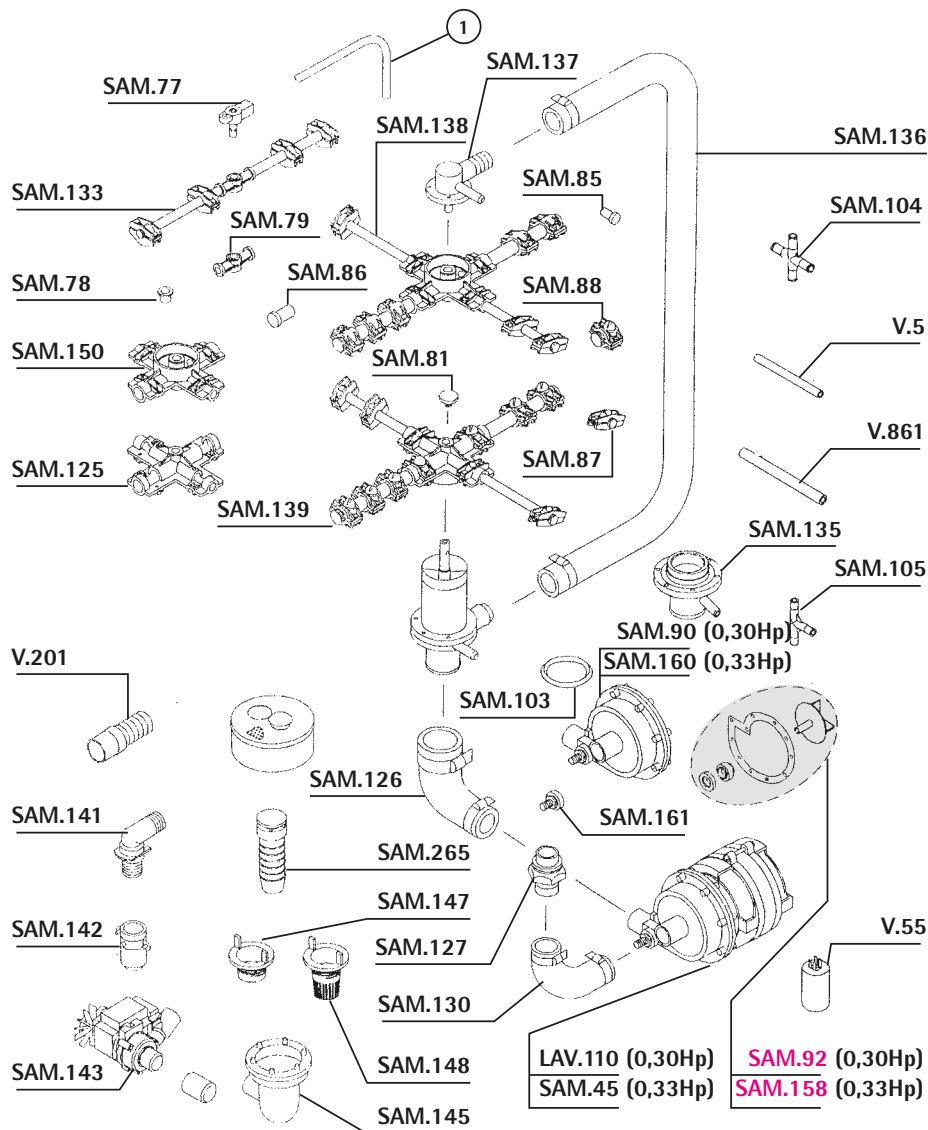


REF.	DESCRIPCIÓN	DESCRIPTION
H25211	VALVULA ABRILLANTADOR	VALVE
J....0	TERMOSTATO 0-90°	0-90° THERMOSTAT
LAV115	CIERRE PUERTA	CLOSING DOOR
SAM.30	RESIST.CUBA 1500W 230V	1500W 230V TANK RESISTANCE
SAM.42	RESISTENCIA CALDERIN 2500W 230	2500W 230V BOILER RESISTANCE
SAM.65	TUBO SILICONA CON RACOR	SILICONE PIPE WITH FITTING
SAM.71	PRESOSTATO	PRESSURE SWITCH
SAM.100	DOSIFICADOR	DOSER
SAM.106	RELE	RELAY
SAM.110	IMAN PUERTA	DOOR MAGNET
SAM.112	CALDERIN	BOILER
SAM.113	TERMOSTATO SEGURIDAD	SALETY THERMOSTAT
SAM.115	JUNTA RESISTENCIA (JUEGO)	RESISTANCE GASKET
SAM.116	CONJUNTO 4 PATAS	FOOT
SAM.117	CAMARA PRESOSTATICA	PRESS SWITCH BOWL
SAM.118	BISAGRA PUERTA	DOOR HINGE-JOINT
SAM.119	PULSADOR UNIPOLAR LUMINISO	LUMINOUS UNIPOLAR PUSH BUTTON
SAM.120	INTERRUPTOR BIPOLAR LUMINOSO	LUMINOUS BIPOLAR SWITCH
SAM.131	PROGRAMADOR 5 MICROS	5 TOOTH TIMER
SAM.132	GUIA CESTA	BASKET GUIDE
SAM.162	PILOTO BLANCO	WHITE PILOT
SAM.163	PULSADOR NEGRO	BLACK PUSH BUTTON
SAM.164	TAPA	LID
SAM.171	INTERRUPTOR MAGNETICO	MAGNETIC SWICH
V..30	RACOR ENTRADA JABON	INLET SOAP FITTING
V.132	ELECTROVAL.1 VIA LAV.220V	WASH 1 WAY 220V SOLENOID
V.133	ELECTROVAL.2 VIA LAV.220V	WASH 2 WAYS 220V SOLENOID
V.198	MANDO TERMOSTATO 90°	90° THERMOSTAT HANDLE
V.415	TOMA LAVADORA 1,5M	QUALITY 1.5M.INLET W.FLEX
V.448	TUBO PRESOSTATO-METRO 4X6	4X6 PRE.SWITCH INLET PIPE
V.528	MEMBRANA SILICONA DOS.ABR	SILICONE MEMBRANE
V.546	JUNTA GOMA 3/4	WATER INLET RUBBER GASKET
V.815	TOMA LAVADORA 2 METROS	2 MT.INLET WATER FLEXIBLE
V.825	TOMA LAVADORA 1.5 «ECO»	«ECO»1.5M INLET WA.FLEXIB
V.842	VALV.RETENCION DOSF.JABON	SOAP DOS.RETENTION VALVE
V.848	TOMA LAVADORA 1.5M INOX	INOX 1.5M INLET WATER FL.
V.849	TOMA LAV.INOX 2MT.3/4X3/4	INOX 2MT.INLET WATER FLE.
V.973	DOSIFICADOR PERISTALTICO INTER	INTERNAL PERISTALTIC DOS.

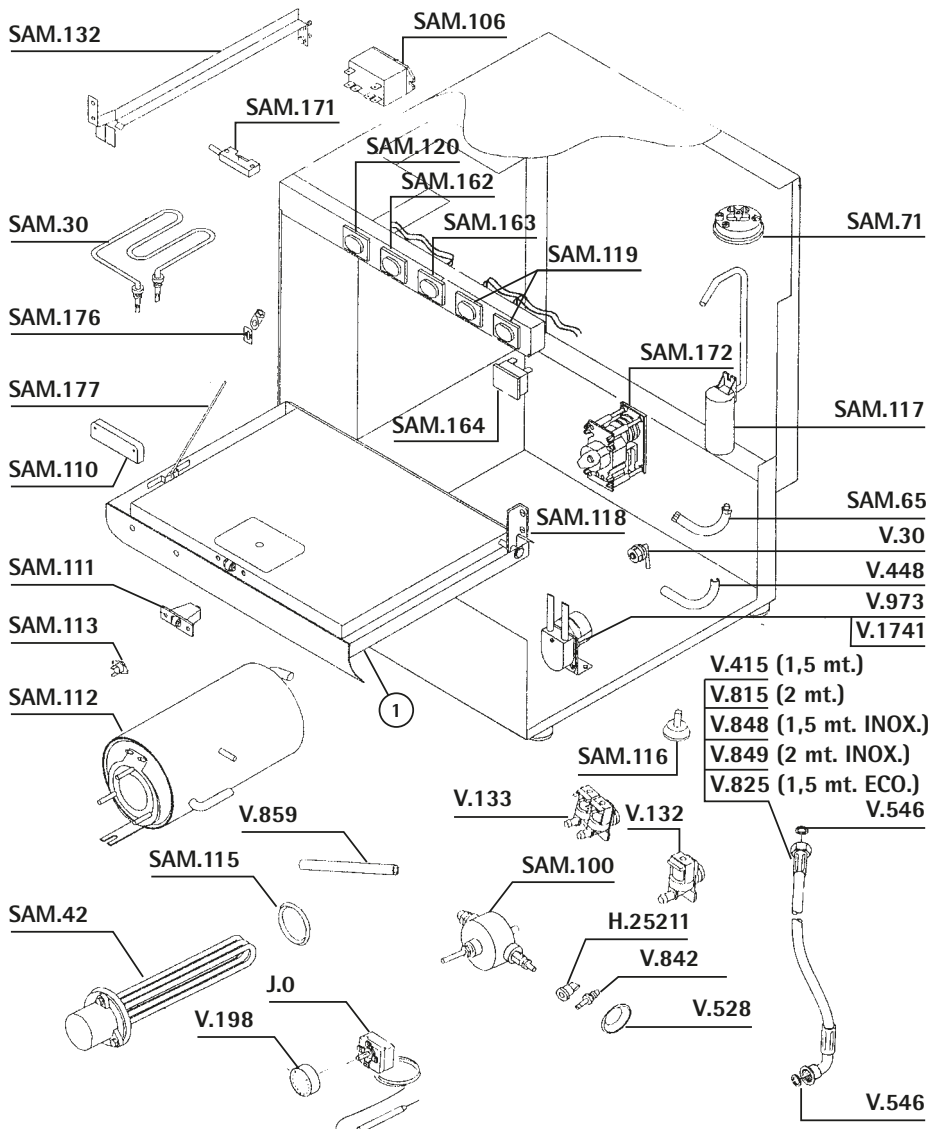
Solicite el DVD, incluye todos nuestros catálogos. Más de 50.000 artículos

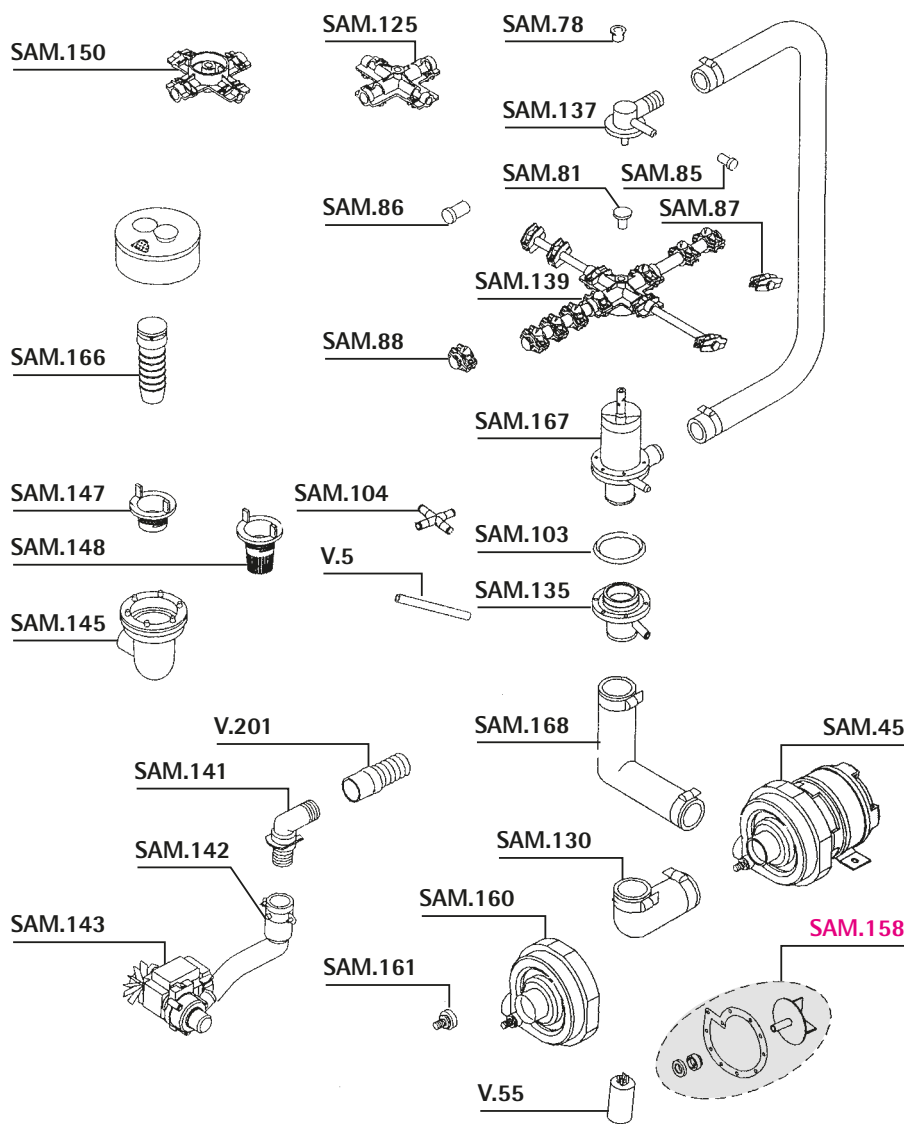


REF.	DESCRIPCIÓN	DESCRIPTION
LAV110	MOTOR 0.3 Hp. B-13 A 19	0.3 HP B-13 TO B-19 MOTOR
SAM.45	MOTOR 0,33 CV	0,33 CV MOTOR
SAM.77	ACOPLADOR SUPERIOR	TOP COUPLING
SAM.78	CONJUNTO CASQUILLO CRUCETA	CROSSHEAD CALLAR
SAM.79	CUERPO DIFUSOR ACLARADO	RINSING DISPENSER BODY
SAM.81	CONJUNTO TORNILLO HELICE	SPIRAL SCREW
SAM.85	CONJUNTO TAPON ACLARADO	RINSING PLUG
SAM.86	CONJUNTO TAPON LAVADO	WASHING PLUG
SAM.87	CONJUNTO DIFUSORES ACLARADO	RINSING SPRAY
SAM.88	JUEGO DIFUSORES LAVADO	WASHING SPRAY
SAM.90	TAPA MOTOR 0.30 Hp	0.30 Hp MOTOR LID
SAM.92	ACCESORIOS MOTOR 0.30 HP	0.30 Hp MOTOR ACCESSORIES
SAM103	KIT JUNTAS ACOPLADOR	COUPLING GASKET KIT
SAM104	CONJUNTO RACOR CRUZ (4 UD.)	CROSS CONECTOR
SAM105	JUEGO CONEXIONES EN T	T CONNECTOR
SAM125	CRUCETA	CROSSHEAD
SAM126	CODO EXPULSION	EJECTION ELBOW
SAM127	CONJUNTO CASQUILLO FILTRO	FILTER CAP
SAM130	CODO ASPIRACION	INTAKE ELBOW
SAM133	BRAZO ACLARADO	RINSE ARM
SAM135	ACOPLADOR INFERIOR	LOWER COUPLING
SAM136	CODO	ELBOW
SAM137	ACOPLADOR SUPERIOR	UPPER COUPLING
SAM138	BRAZO LAVADO SUPERIOR	UPPER WASH ARM
SAM139	BRAZO LAVADO INFERIOR	LOWER WASH ARM
SAM141	CODO ANTIRETORNO	ELBOW
SAM142	CODO DESAGÜE	DRAIN ELBOWS
SAM143	BOMBA DESAGÜE	DRAIN PUMP
SAM145	COLECTOR	COLETE
SAM147	SOPORTE REBOSADERO	DRAIN PLUG HOLDER
SAM148	FILTRO COLECTOR	COLLECTING FILTER
SAM150	CRUCETA SUPERIOR	UPPER CROSSHEAD
SAM158	ACCESORIOS MOTOR 0.33 Hp	0.33 Hp MOTOR ACCESSORIES
SAM160	TAPA MOTOR 0.33 Hp	0.33 Hp MOTOR LID
SAM161	RACOR MOTOR	FITTING
SAM265	REBOSADERO SB-22	SB-22 OVERFLOW
V....5	TUBO GOMA 10X16 20 ATM	20ATM 10X17 RUBBER PIPE
V..55	CONDENSADOR 10 MF 220V	220V 10MF.CONDENSER
V.201	TUBO DESAGÜE 28mm. 1,5mt.	28mm. 1.5mt OUTLET PIPE
V.861	TUBO GOMA 12X22mm 20ATM	20ATM 12X22mm RUBBER PIPE



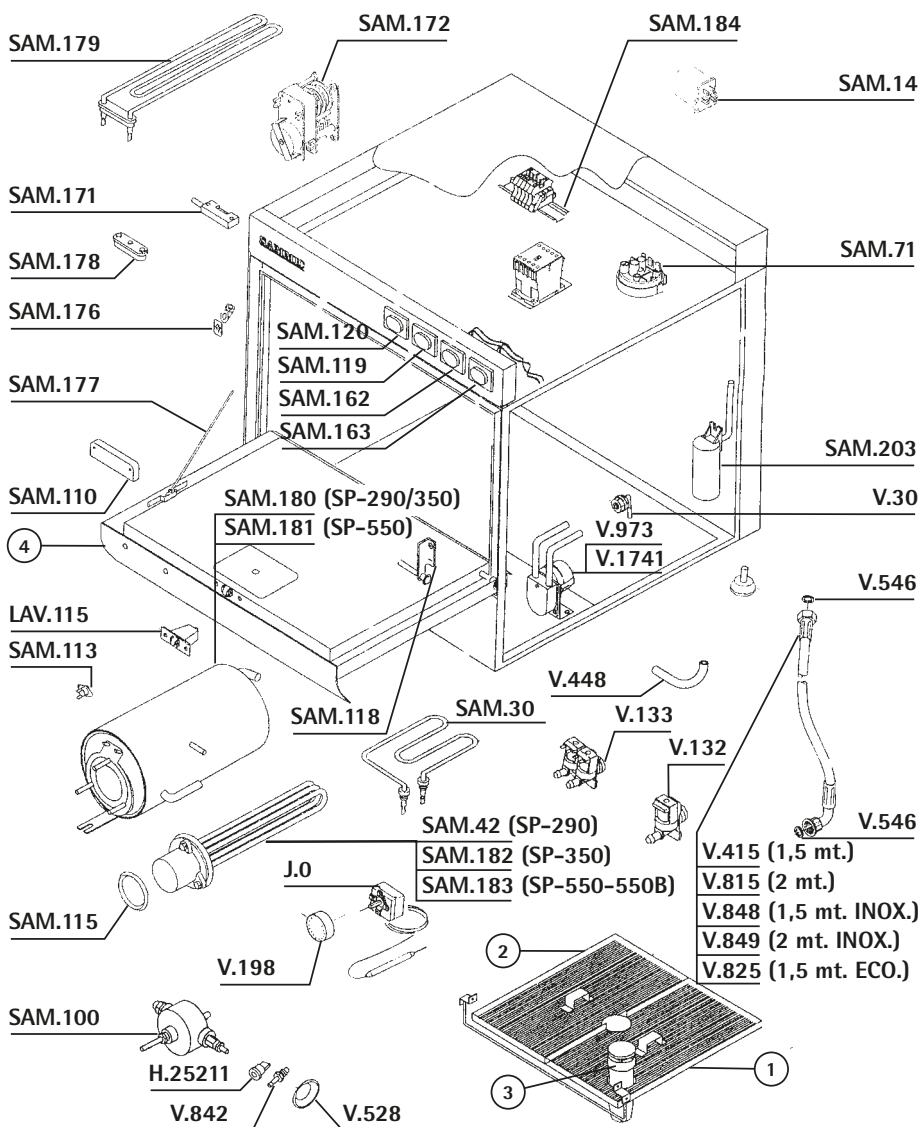
REF.	DESCRIPCIÓN	DESCRIPTION
H25211	VALVULA ABRILLANTADOR	VALVE
J....0	TERMOSTATO 0-90°	0-90° THERMOSTAT
SAM.30	RESIST.CUBA 1500W 230V	1500W 230V TANK RESISTANCE
SAM.42	RESISTENCIA CALDERIN 2500W 230	2500W 230V BOILER RESISTANCE
SAM.65	TUBO SILICONA CON RACOR	SILICONE PIPE WITH FITTING
SAM.71	PRESOSTATO	PRESSURE SWITCH
SAM100	DOSIFICADOR	DOSER
SAM106	RELE	RELAY
SAM110	IMAN PUERTA	DOOR MAGNET
SAM111	SERVIR LAV115	GO TO LAV115
SAM112	CALDERIN	BOILER
SAM113	TERMOSTATO SEGURIDAD	SAEITY THERMOSTAT
SAM115	JUNTA RESISTENCIA (JUEGO)	RESISTANCE GASKET
SAM116	CONJUNTO 4 PATAS	FOOT
SAM117	CAMARA PRESOSTATICA	PRESS SWITCH BOWL
SAM118	BISAGRA PUERTA	DOOR HINGE-JOINT
SAM119	PULSADOR UNIPOLAR LUMINISO	LUMINOUS UNIPOLAR PUSH BUTTON
SAM120	INTERRUPTOR BIPOLAR LUMINOSO	LUMINOUS BIPOLAR SWITCH
SAM132	GUIA CESTA	BASKET GUIDE
SAM162	PILOTO BLANCO	WHITE PILOT
SAM163	PULSADOR NEGRO	BLACK PUSH BUTTON
SAM164	TAPA	LID
SAM171	INTERRUPTOR MAGNETICO	MAGNETIC SWICH
SAM172	PROGRAMADOR 4 MICROS 180s.	180 s. 4 TOOTH TIMER
SAM176	REGULADOR PUERTA	DOOR REGULATOR
SAM177	JUEGO TIRANTE PUERTA	DOOR TIE-BEAM
V..30	RACOR ENTRADA JABON	INLET SOAP FITTING
V..132	ELECTROVAL.1 VIA LAV.220V	WASH 1 WAY 220V SOLENOID
V..133	ELECTROVAL.2 VIA LAV.220V	WASH 2 WAYS 220V SOLENOID
V..198	MANDO TERMOSTATO 90°	90° THERMOSTAT HANDLE
V..415	TOMA LAVADORA 1,5M	QUALITY 1.5M.INLET W.FLEX
V..448	TUBO PRESOSTATO-METRO 4X6	4X6 PRE.SWITCH INLET PIPE
V..528	MEMBRANA SILICONA DOS.ABR	SILICONE MEMBRANE
V..546	JUNTA GOMA 3/4	WATER INLET RUBBER GASKET
V..815	TOMA LAVADORA 2 METROS	2 MT.INLET WATER FLEXIBLE
V..825	TOMA LAVADORA 1.5 «ECO»	«ECO»1.5M INLET WA.FLEXIB
V..842	VALV.RETENCION DOSF.JABON	SOAP DOS.RETENTION VALVE
V..848	TOMA LAVADORA 1.5M INOX	INOX 1.5M INLET WATER FL.
V..849	TOMA LAV.INOX 2MT.3/4X3/4	INOX 2MT.INLET WATER FLE.
V..859	TUBO GOMA 6X12mm 20ATM	20 ATM 6X12mm RUBBER PIPE
V..973	DOSIFICADOR PERISTALTICO INTER	INTERNAL PERISTALTIC DOS.
V.1741	DOSIFICADOR ABRILLANTADOR .	EXTERNAL RINSE DOSIMETER





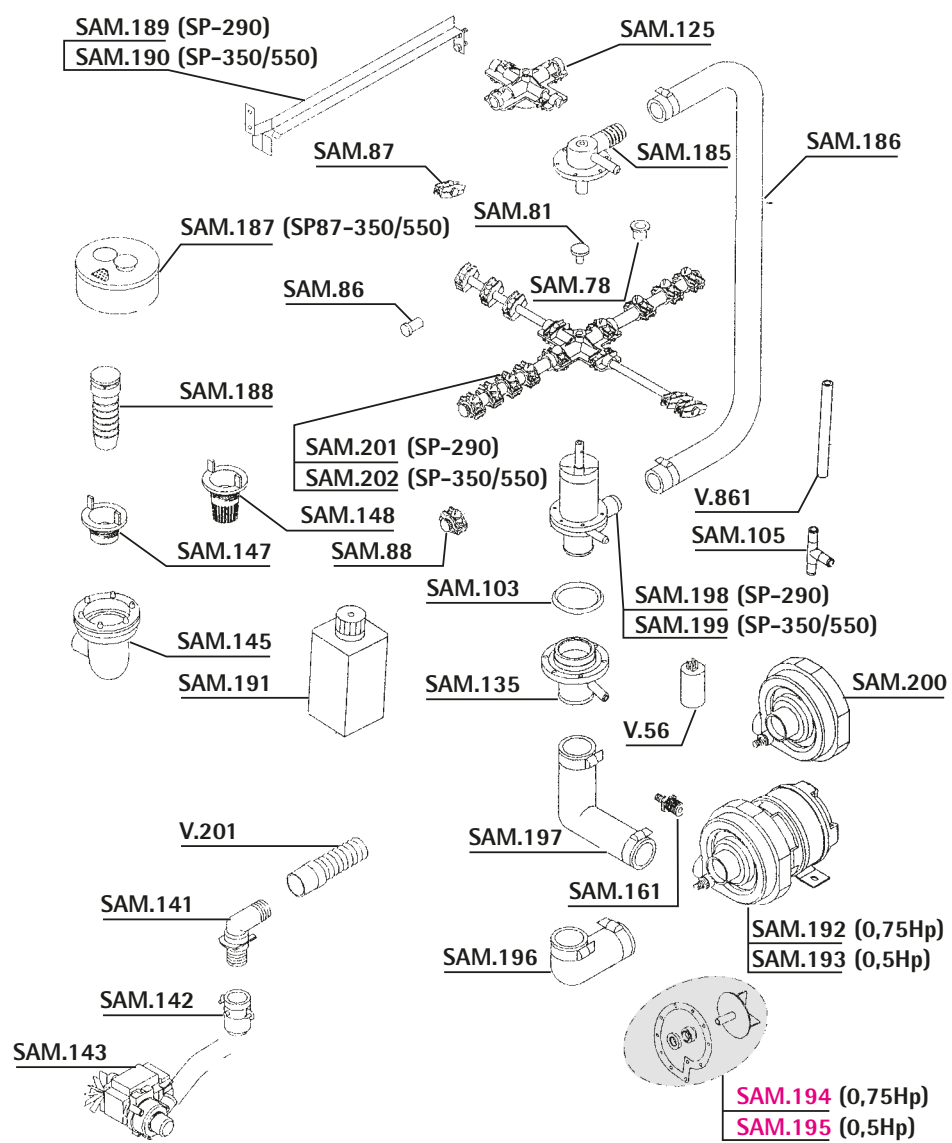
REF.	DESCRIPCIÓN	DESCRIPTION
SAM.45	MOTOR 0,33 CV	0,33 CV MOTOR
SAM.78	CONJUNTO CASQUILLO CRUCETA	CROSSHEAD CALLAR
SAM.81	CONJUNTO TORNILLO HELICE	SPIRAL SCREW
SAM.85	CONJUNTO TAPON ACLARADO	RINSING PLUG
SAM.86	CONJUNTO TAPON LAVADO	WASHING PLUG
SAM.87	CONJUNTO DIFUSORES ACLARADO	RINSING SPRAY
SAM.88	JUEGO DIFUSORES LAVADO	WASHING SPRAY
SAM103	KIT JUNTAS ACOPLADOR	COUPLING GASKET KIT
SAM104	CONJUNTO RACOR CRUZ (4 UD.)	CROSS CONNECTOR
SAM125	CRUCETA	CROSSHEAD
SAM130	CODO ASPIRACION	INTAKE ELBOW
SAM135	ACOPLADOR INFERIOR	LOWER COUPLING
SAM137	ACOPLADOR SUPERIOR	UPPER COUPLING
SAM139	BRAZO LAVADO INFERIOR	LOWER WASH ARM
SAM141	CODO ANTIRETORNO	ELBOW
SAM142	CODO DESAGÜE	DRAIN ELBOWS
SAM143	BOMBA DESAGÜE	DRAIN PUMP
SAM145	COLECTOR	COLETE
SAM147	SOPORTE REBOSADERO	DRAIN PLUG HOLDER
SAM148	FILTRO COLECTOR	COLLECTING FILTER
SAM150	CRUCETA SUPERIOR	UPPER CROSSHEAD
SAM158	ACCESORIOS MOTOR 0.33 Hp	0.33 Hp MOTOR ACCESORIES
SAM160	TAPA MOTOR 0.33 Hp	0.33 Hp MOTOR LID
SAM161	RACOR MOTOR	FITTING
SAM166	REBOSADERO	DRAIN PLUG
SAM167	ACOPLADOR INFERIOR COMPLETO	LOWER COUPLING
SAM168	CODO EXPULSION	EJECTION ELBOW
V....5	TUBO GOMA 10X16 20 ATM	20ATM 10X17 RUBBER PIPE
V...55	CONDENSADOR 10 MF 220V	220V 10MF.CONDENSER
V.201	TUBO DESAGÜE 28mm. 1,5mt.	28mm. 1.5mt OUTLET PIPE

Carrocería / Calderín / Varios SP-290 / SP-350 / SP-550 / SP-550B ■ SP-290 / SP-350 / SP-550 / SP-550B Bodywork / Boiler / Various

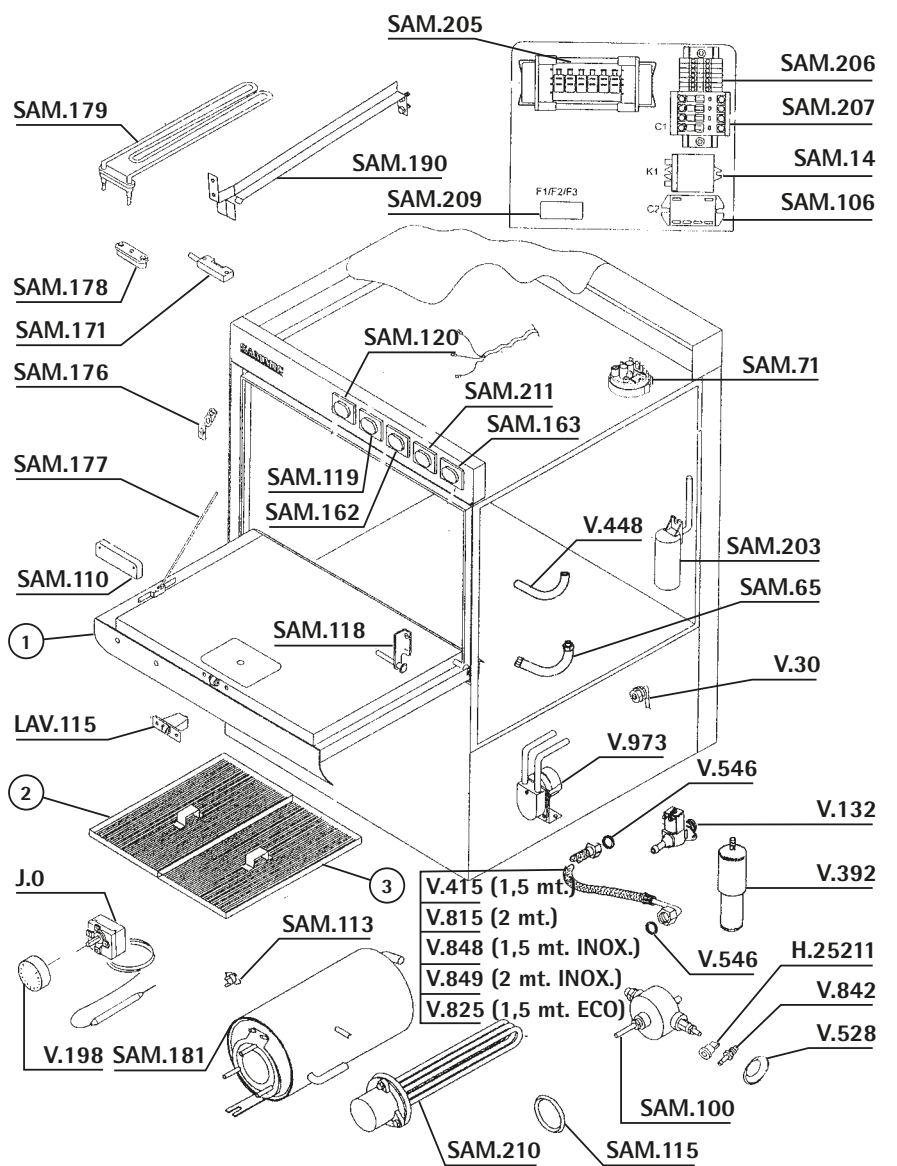


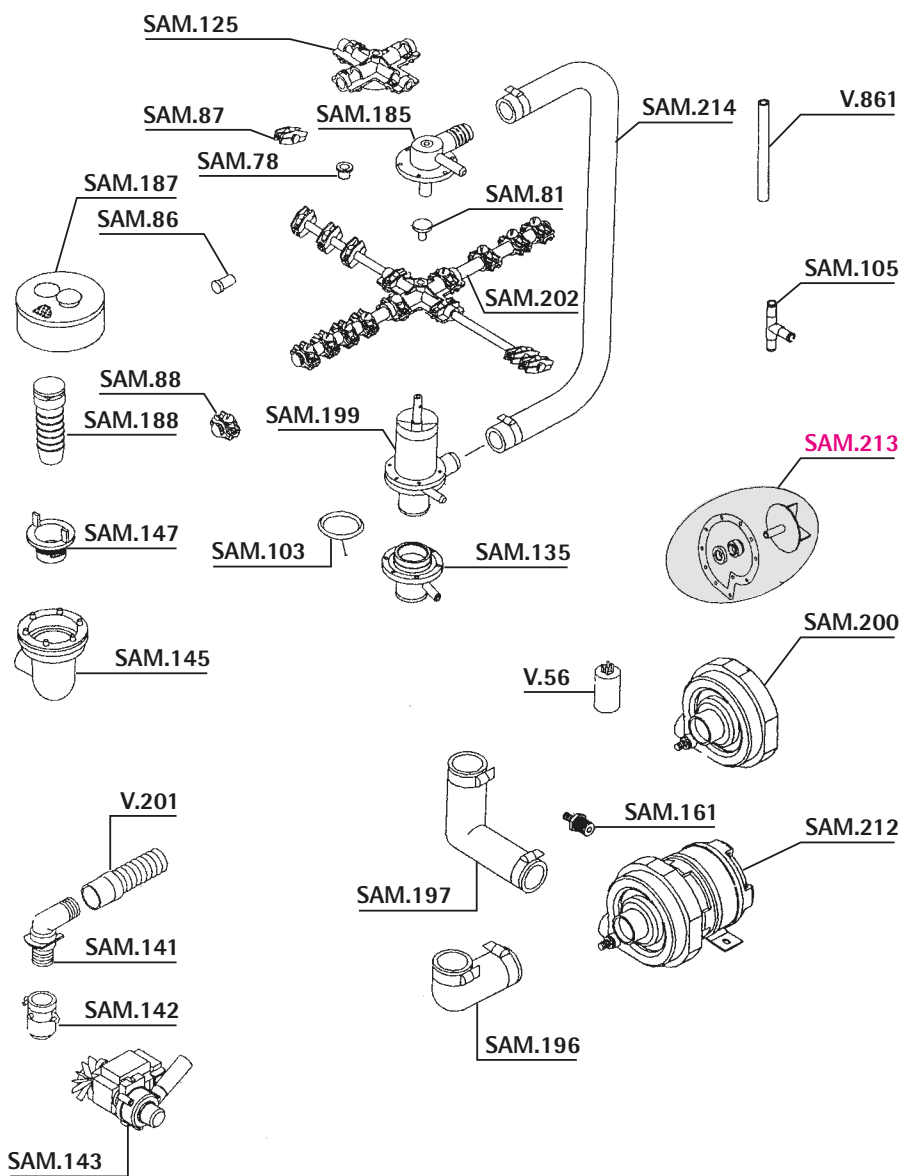
REF.	DESCRIPCIÓN	DESCRIPTION
H25211	VALVULA ABRILLANTADOR	VALVE
J....0	TERMOSTATO 0-90°	0-90° THERMOSTAT
LAV115	CIERRE PUERTA	CLOSING DOOR
SAM.14	RELE 24V	24V RELAY
SAM.30	RESIST.CUBA 1500W 230V	1500W 230V TANK RESISTANCE
SAM.42	RESISTENCIA CALDERIN 2500W 230	2500W 230V BOILER RESISTANCE
SAM.71	PRESOSTATO	PRESSURE SWITCH
SAM100	DOSIFICADOR	DOSER
SAM110	IMAN PUERTA	DOOR MAGNET
SAM113	TERMOSTATO SEGURIDAD	SALETY THERMOSTAT
SAM115	JUNTA RESISTENCIA (JUEGO)	RESISTANCE GASKET
SAM118	BISAGRA PUERTA	DOOR HINGE-JOINT
SAM119	PULSADOR UNIPOLAR LUMINISO	LUMINOUS UNIPOLAR PUSH BUTTON
SAM120	INTERRUPTOR BIPOLAR LUMINOSO	LUMINOUS BIPOLAR SWITCH
SAM162	PILOTO BLANCO	WHITE PILOT
SAM163	PULSADOR NEGRO	BLACK PUSH BUTTON
SAM171	INTERRUPTOR MAGNETICO	MAGNETIC SWICH
SAM172	PROGRAMADOR 4 MICROS 180s.	180 s. 4 TOOTH TIMER
SAM176	REGULADOR PUERTA	DOOR REGULATOR
SAM177	JUEGO TIRANTE PUERTA	DOOR TIE-BEAM
SAM178	KIT JUNTAS RESISTENCIA GOMA	RUBBER GASKET
SAM179	RESISTENCIA CUBA 2.5 KW.	2.5 KW TANK RESISTANCE
SAM180	CALDERIN SP-290/350	SP-290/350 BOILER
SAM181	CALDERIN SP-550/800	SP-550 BOILER
SAM182	RESISTENCIA CALDERIN 4.5 KW	4.5 KW BOILER RESISTANCE
SAM183	RESISTENCIA CALDERIN 3 KW	3 KW BOILER RESISTANCE
SAM184	BORNE CONEXION	CONNECTOR
SAM203	CAMARA PRESOSTATICA	PRESS SWITCH BOWL
V...30	RACOR ENTRADA JABON	INLET SOAP FITTING
V...132	ELECTROVAL.1 VIA LAV.220V	WASH 1 WAY 220V SOLENOID
V...133	ELECTROVAL.2 VIA LAV.220V	WASH 2 WAYS 220V SOLENOID
V...198	MANDO TERMOSTATO 90°	90° THERMOSTAT HANDLE
V.415	TOMA LAVADORA 1,5M	QUALITY 1.5M.INLET W.FLEX
V.448	TUBO PRESOSTATO-METRO 4X6	4X6 PRE.SWITCH INLET PIPE
V.528	MEMBRANA SILICONA DOS.ABR	SILICONE MEMBRANE
V.546	JUNTA GOMA 3/4	WATER INLET RUBBER GASKET
V.815	TOMA LAVADORA 2 METROS	2 MT.INLET WATER FLEXIBLE
V.825	TOMA LAVADORA 1.5 «ECO»	«ECO»1.5M INLET WA.FLEXIB
V.842	VALV.RETENCION DOS.FJABON	SOAP DOS.RETENTION VALVE
V.848	TOMA LAVADORA 1.5M INOX	INOX 1.5M INLET WATER FL.
V.849	TOMA LAV.INOX 2MT.3/4X3/4	INOX 2MT.INLET WATER FLE.
V.973	DOSIFICADOR PERISTALTICO INTER	INTERNAL PERISTALTIC DOS.
V.1741	DOSIFICADOR ABRILLANTADOR .	EXTERNAL RINSE DOSIMETER

REF.	DESCRIPCIÓN	DESCRIPTION
SAM.78	CONJUNTO CASQUILLO CRUCETA	CROSSHEAD CALLAR
SAM.81	CONJUNTO TORNILLO HELICE	SPIRAL SCREW
SAM.86	CONJUNTO TAPON LAVADO	WASHING PLUG
SAM.87	CONJUNTO DIFUSORES ACLARADO	RINSING SPRAY
SAM.88	JUEGO DIFUSORES LAVADO	WASHING SPRAY
SAM103	KIT JUNTAS ACOPLADOR	COUPLING GASKET KIT
SAM105	JUEGO CONEXIONES EN T	T CONNECTOR
SAM125	CRUCETA	CROSSHEAD
SAM135	ACOPLADOR INFERIOR	LOWER COUPLING
SAM141	CODO ANTIRETORNO	ELBOW
SAM142	CODO DESAGÜE	DRAIN ELBOWS
SAM143	BOMBA DESAGÜE	DRAIN PUMP
SAM145	COLECTOR	COLETE
SAM147	SOPORTE REBOSADERO	DRAIN PLUG HOLDER
SAM148	FILTRO COLECTOR	COLLECTING FILTER
SAM161	RACOR MOTOR	FITTING
SAM185	ACOPLADOR SUPERIOR	LOWER COUPLING
SAM186	CODO U	U ELBOW
SAM187	FILTRO	FILTER
SAM188	REBOSADERO	DRAIN PLUG
SAM189	SOPORTE GUIA CESTA SP-290	BASKET GUIDE SUPPORT SP-290
SAM190	SOPORTE GUIA CESTA SP-350/550	BASKET GUIDE SUPPORT SP-350/550
SAM191	DEPOSITO ABRILLANTADOR	RINSE CONTAINER
SAM192	MOTOR 0.75 Hp	0.75 Hp MOTOR
SAM193	MOTOR 0.5 Hp	0.5 Hp MOTOR
SAM194	ACCESORIOS MOTOR 0.75 Hp	0.75 Hp MOTOR ACCESSORIES
SAM195	ACCESORIOS MOTOR 0.5 Hp	0.5 Hp MOTOR ACCESSORIES
SAM196	CODO ASPIRACION	INTAKE ELBOW
SAM197	CODO EXPULSION	EJECTION ELBOW
SAM198	ACOPLADOR INFERIOR SP-290	SP-290 LOWER COUPLING
SAM199	ACOPLADOR INFERIOR SP-350/550	SP-350/550 LOWER COUPLING
SAM200	CONJUNTO TAPA MOTOR	LID MOTOR
SAM201	BRAZO LAVADO-ACLARADO SP-290	SP-290 WASH-RINSE ARM
SAM202	BRAZO LAVADO-ACLARADO	WASH-RINSE ARM
V...56	CONDENSADOR 12,5 MF 220V	12,5MF 220V CONDENSER
V.201	TUBO DESAGÜE 28mm. 1,5mt.	28mm. 1.5mt OUTLET PIPE
V.861	TUBO GOMA 12X22mm 20ATM	20ATM 12X22mm RUBBER PIPE



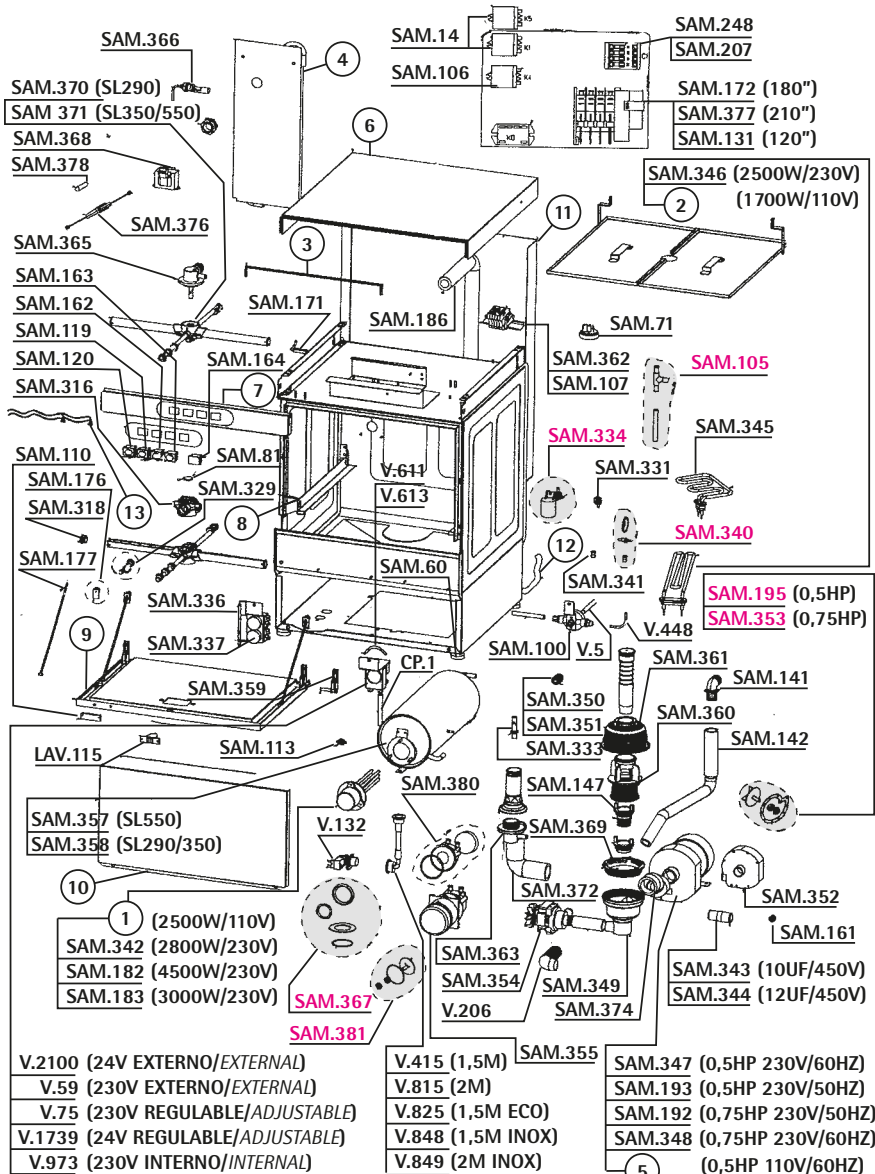
REF.	DESCRIPCIÓN	DESCRIPTION
H25211	VALVULA ABRILLANTADOR	VALVE
J...0	TERMOSTATO 0-90°	0-90° THERMOSTAT
LAV115	CIERRE PUERTA	CLOSING DOOR
SAM.14	RELE 24V	24V RELAY
SAM.65	TUBO SILICONA CON RACOR	SILICONE PIPE WITH FITTING
SAM.71	PRESOSTATO	PRESSURE SWITCH
SAM100	DOSIFICADOR	DOSER
SAM106	RELE	RELAY
SAM110	IMAN PUERTA	DOOR MAGNET
SAM113	TERMOSTATO SEGURIDAD	SAEITY THERMOSTAT
SAM115	JUNTA RESISTENCIA (JUEGO)	RESISTANCE GASKET
SAM118	BISAGRA PUERTA	DOOR HINGE-JOINT
SAM119	PULSADOR UNIPOLAR LUMINISO	LUMINOUS UNIPOLAR PUSH BUTTON
SAM120	INTERRUPTOR BIPOLAR LUMINOSO	LUMINOUS BIPOLAR SWITCH
SAM162	PILOTO BLANCO	WHITE PILOT
SAM163	PULSADOR NEGRO	BLACK PUSH BUTTON
SAM171	INTERRUPTOR MAGNETICO	MAGNETIC SWICH
SAM176	REGULADOR PUERTA	DOOR REGULATOR
SAM177	JUEGO TIRANTE PUERTA	DOOR TIE-BEAM
SAM178	KIT JUNTAS RESISTENCIA GOMA	RUBBER GASKET
SAM179	RESISTENCIA CUBA 2.5 KW.	2.5 KW TANK RESISTANCE
SAM181	CALDERIN SP-550/800	SP-550 BOILER
SAM190	SOPORTE GUIA CESTA SP-350/550	BASKET GUIDE SUPPORT SP-350/550
SAM203	CAMARA PRESOSTATICA	PRESS SWITCH BOWL
SAM205	PROGRAMADOR SP-800	TIMER
SAM206	PERFIL CONTACTOR	CONTACTORS PROFILE
SAM207	CONTACTOR	CONTACTOR
SAM209	FILTRO ANTIPARASITOS	INTERFERENCE SUPPRESSOR FILTER
SAM210	RESISTENCIA 6KW	6 KW RESISTANCE
SAM211	COMMUTADOR UNIPOLAR NEGRO	BLACK SWITCH
V...30	RACOR ENTRADA JABON	INLET SOAP FITTING
V.132	ELECTROVAL.1 VIA LAV.220V	WASH 1 WAY 220V SOLENOID
V.198	MANDO TERMOSTATO 90°	90° THERMOSTAT HANDLE
V.392	PATA REGULABLE	M-10 ADJUSTAB 7-12CM INOX FOOT
V.415	TOMA LAVADORA 1,5M	QUALITY 1.5M.INLET W.FLEX
V.448	TUBO PRESOSTATO-METRO 4X6	4X6 PRE.SWITCH INLET PIPE
V.528	MEMBRANA SILICONA DOS.ABR	SILICONE MEMBRANE
V.546	JUNTA GOMA 3/4	WATER INLET RUBBER GASKET
V.815	TOMA LAVADORA 2 METROS	2 MT.INLET WATER FLEXIBLE
V.825	TOMA LAVADORA 1.5 «ECO»	«ECO».1.5M INLET WA.FLEXIB
V.842	VALV.RETENCION DOSF.JABON	SOAP DOS.RETENTION VALVE
V.848	TOMA LAVADORA 1.5M INOX	INOX 1.5M INLET WATER FL.
V.849	TOMA LAV.INOX 2MT.3/4X3/4	INOX 2MT.INLET WATER FLE.
V.973	DOSIFICADOR PERISTALTICO INTER	INTERNAL PERISTALTIC DOS.





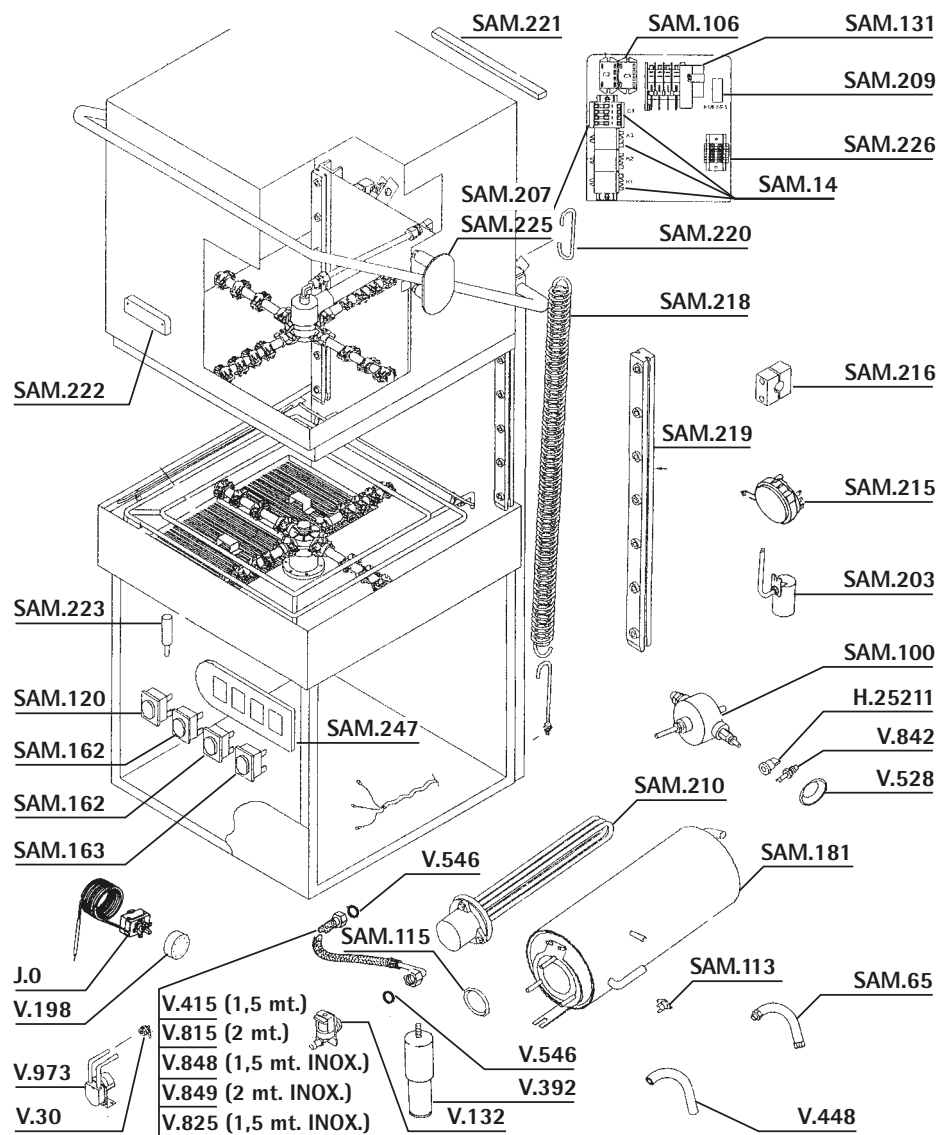
REF.	DESCRIPCIÓN	DESCRIPTION
SAM.78	CONJUNTO CASQUILLO CRUCETA	CROSSHEAD CALLAR
SAM.81	CONJUNTO TORNILLO HELICE	SPIRAL SCREW
SAM.86	CONJUNTO TAPON LAVADO	WASHING PLUG
SAM.78	CONJUNTO DIFUSORES ACLARADO	RINSING SPRAY
SAM.88	JUEGO DIFUSORES LAVADO	WASHING SPRAY
SAM103	KIT JUNTAS ACOPLADOR	COUPLING GASKET KIT
SAM105	JUEGO CONEXIONES EN T	T CONNECTOR
SAM125	CRUCETA	CROSSHEAD
SAM135	ACOPLADOR INFERIOR	LOWER COUPLING
SAM141	CODO ANTIRETORNO	ELBOW
SAM142	CODO DESAGÜE	DRAIN ELBOWS
SAM143	BOMBA DESAGÜE	DRAIN PUMP
SAM145	COLECTOR	COLETE
SAM147	SOPORTE REBOSADERO	DRAIN PLUG HOLDER
SAM161	RACOR MOTOR	FITTING
SAM185	ACOPLADOR SUPERIOR	LOWER COUPLING
SAM187	FILTRO	FILTER
SAM188	REBOSADERO	DRAIN PLUG
SAM196	CODO ASPIRACION	INTAKE ELBOW
SAM197	CODO EXPULSION	EJECTION ELBOW
SAM199	ACOPLADOR INFERIOR SP-350/550	SP-350/550 LOWER COUPLING
SAM200	CONJUNTO TAPA MOTOR	LID MOTOR
SAM202	BRAZO LAVADO-ACLARADO	WASH-RINSE ARM
SAM212	MOTOR 1 Hp	1 Hp MOTOR
SAM213	ACCESORIOS MOTOR 1 Hp	1 Hp MOTOR ACCESSORIES
SAM214	CODO EN U	U ELBOW
V...56	CONDENSADOR 12,5 MF 220V	12,5MF 220V CONDENSER
V.201	TUBO DESAGÜE 28mm. 1,5mt.	28mm. 1.5mt OUTLET PIPE
V.861	TUBO GOMA 12X22mm 20ATM	20ATM 12X22mm RUBBER PIPE

Varios SL290 / B - SL350 / B - SL550 / B / BP ■ SL290 / B - SL350 / B - SL550 / B / BP Varios

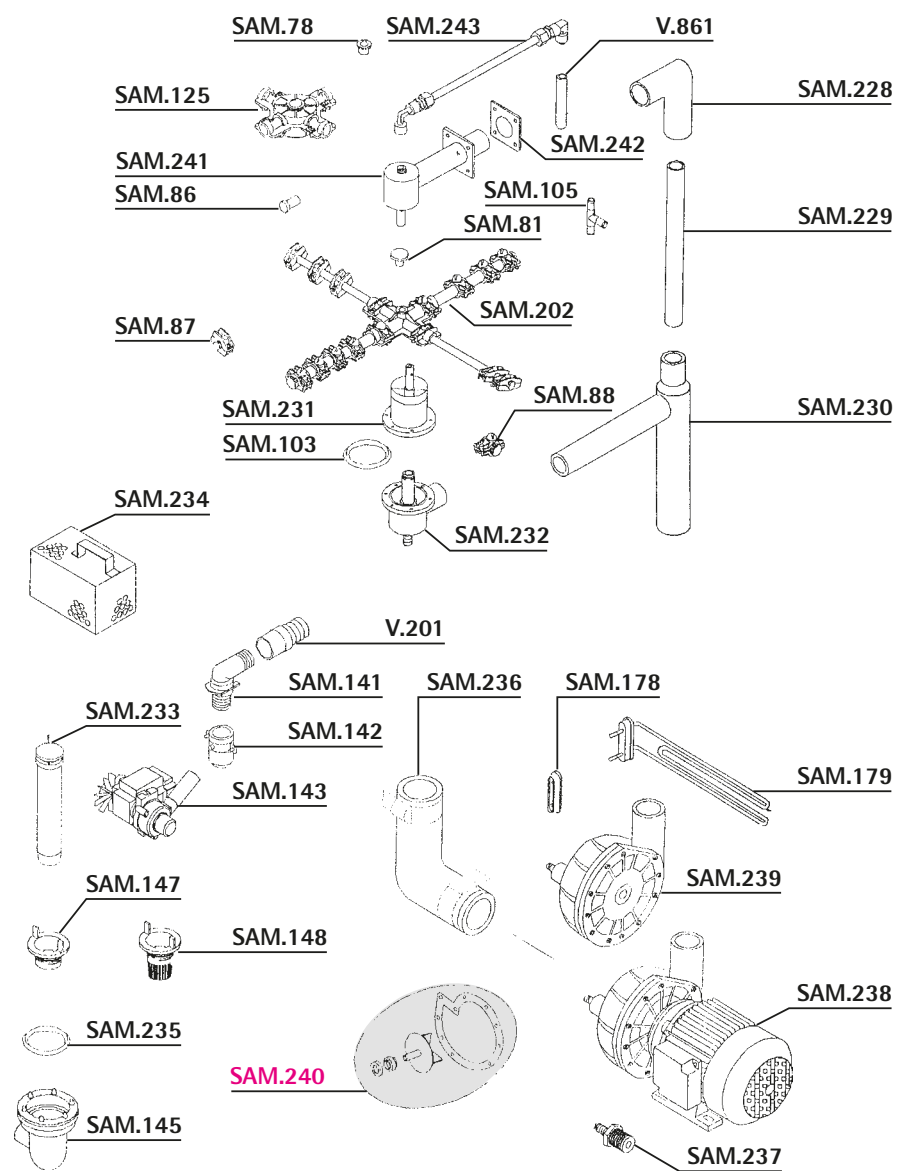


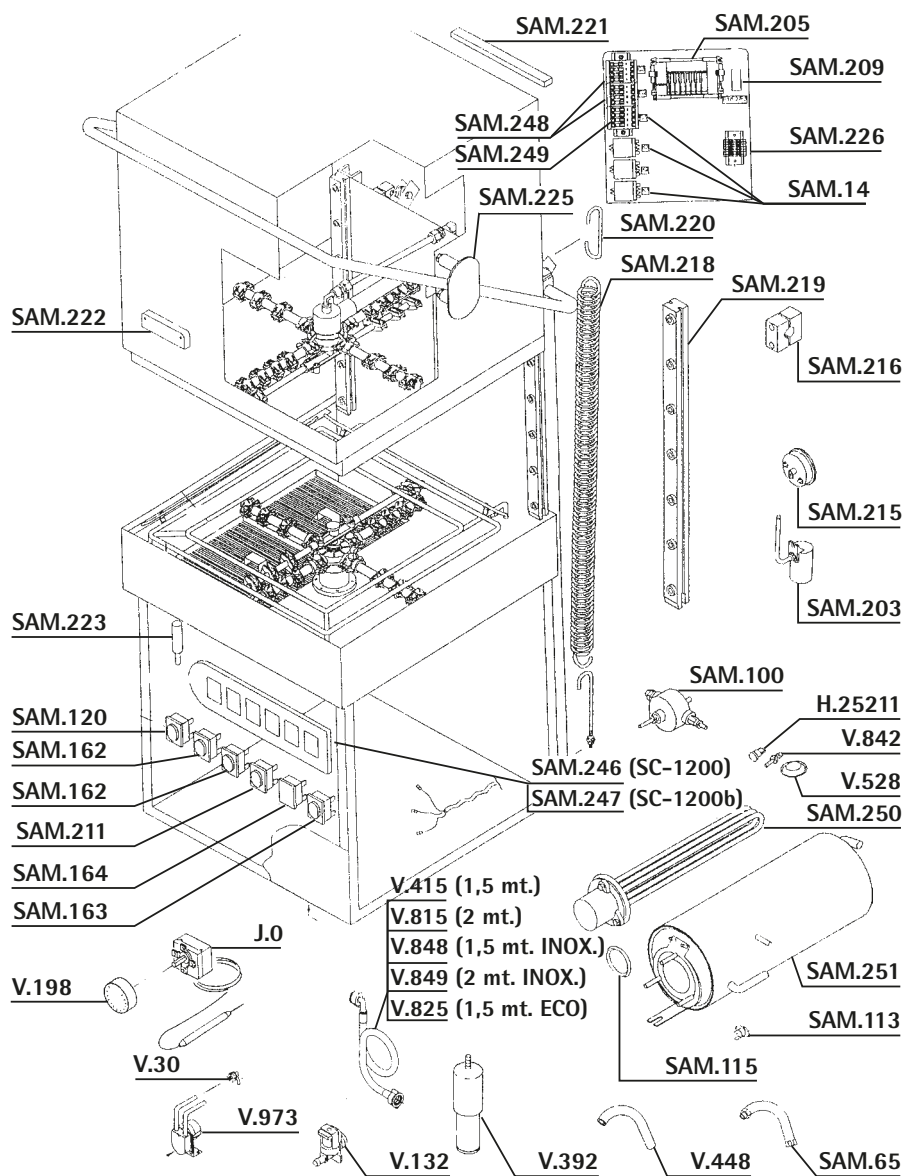
REF.	DESCRIPCIÓN	DESCRIPTION
CP...1	TUBO SILICONA 5x8mm (1 metro)	5x8 100cm INLET PIPE
LAV115	CIERRE PUERTA	CLOSING DOOR
SAM.14	RELE 24V	24V RELAY
SAM.60	JUEGO PATA (4 UNIDADES)	FOOT (4UNITS)
SAM.71	PRESOSTATO	PRESSURE SWITCH
SAM.81	CONJUNTO TORNILLO HELICE	SPIRAL SCREW
SAM100	DOSEFICADOR	DOSE
SAM105	JUEGO CONEXIONES EN T	T CONNECTOR
SAM106	RELE	RELAY
SAM107	REGLETA CONEXION	CONNECTION TERMINAL
SAM110	IMAN PUERTA	DOOR MAGNET
SAM113	TERMOSTATO SEGURIDAD	SAFETY THERMOSTAT
SAM119	PULSADOR UNIPOLAR LUMINOSO	LUMINOUS UNIPOLAR PUSH BUTTON
SAM120	INTERRUPTOR BIPOLAR LUMINOSO	LUMINOUS BIPOLAR SWITCH
SAM131	PROGRAMADOR 5 MICROS	5 TOOTH TIMER
SAM141	CODO ANTIRETORNO	ELBOW
SAM142	CODO DESAGÜE	DRAIN ELBOWS
SAM147	SOPORTE REBOSADERO	DRAIN PLUG HOLDER
SAM161	RACOR MOTOR	FITTING
SAM182	PILOTO BLANCO	WHITE PILOT
SAM163	PULSADOR NEGRO	BLACK PUSH BUTTON
SAM164	TAPA	LID
SAM171	INTERRUPTOR MAGNETICO	MAGNETIC SWITCH
SAM172	PROGRAMADOR 4 MICROS 180s.	180 s. 4 TOOTH TIMER
SAM176	REGULADOR PUERTA	DOOR REGULATOR
SAM177	JUEGO TIRANTE PUERTA	DOOR TIE-BEAM
SAM182	RESISTENCIA CALDERIN 4.5 KW	4.5 KW BOILER RESISTANCE
SAM183	RESISTENCIA CALDERIN 3 KW	3 KW BOILER RESISTANCE
SAM186	CODO U	U ELBOW
SAM192	MOTOR 0.75 Hp	0.75 Hp MOTOR
SAM193	MOTOR 0.5 Hp	0.5 Hp MOTOR
SAM195	ACCESORIOS MOTOR 0.5 Hp	0.5 Hp MOTOR ACCESSORIES
SAM207	CONTACTOR	CONTACTOR
SAM248	CONTACTOR b9-4000	CONTACTOR b9-4000
SAM316	CROSSHEAD	CROSSHEAD
SAM318	TAPON BRAZO LAVADO (SET 4 PIEZ)	WASHING PLUGS SET (4)
SAM329	KIT DIFUSORES + TAPONES ACLARA	RINSING DISPERSER + PLUGS SET
SAM331	RACOR CODO	ELBOW FITTING
SAM333	TURRET ROD	TURRET ROD
SAM334	CAMARA PRESOSTATICA	PRESSURE SWITCH CHAMBER
SAM336	TERMOSTATO ACLARADO	RINSING THERMOSTAT
SAM337	MANDO THERMOSTATO	THERMOSTAT KNOB
SAM340	MEMBRANAS + VALVULA DOSIFICADO	DOSING MEMBRANES + VALVES SET
SAM341	VALVULA DOSIFICADOR	DOSING VALVES SET
SAM342	RESIS 2800W/230V	RESIS 2800W/230V
SAM343	CONDENSADOR 10UF/450V	CONDENSER 10UF/450V
SAM344	CONDENSADOR 12UF/450V	CONDENSER 12UF/450V
SAM345	RESISTENCIA CUBA 1500W/230V	1500W/230V TANK ELEMENT
SAM346	RESISTENCIA CUBA 2500W/230V	2500W/230V TANK ELEMENT
SAM347	MOTOR HP 0.5 220V/60HZ	HP 0.5 220V/60HZ MOTOR
SAM348	MOTOR HP 0.75 220V/60HZ	HP 0.75 220V/60HZ MOTOR
SAM349	COLECTOR	COLLECTOR
SAM350	PRESA ESTOPA M-20	STUFFING BOX M-20
SAM351	PRESA ESTOPA P6 13.5	STUFFING BOX P6 13.5
SAM352	TAPA MOTOR	MOTOR LID
SAM353	KIT ACCESORIOS MOTOBOMBA 0.75	MOTOPUMP ACCESSORIES SET 0.75H
SAM354	BOMBA DESAGÜE	DEAIN PUMP
SAM355	BOMBA PRESION	BOOSTER PUMP
SAM357	CALDERIN SL-550	BOILER SL-550
SAM358	CALDERIN SL-290/350	BOILER SL-290/350
SAM359	BISAGRA SL-290/350/550	HINGE SL-290/350/550
SAM360	FILTRO ASPIRACION	INTAKE FILTER
SAM361	FILTRO SUPERIOR	UPPER FILTER
SAM362	CONTACTOR	CONTACTOR
SAM363	ACOPLADOR INFERIOR	LOWER COUPLING
SAM364	ADHESIVO PANEL M. MANDOS	CONTROL PANEL ADHESIVE
SAM365	ACOPLADOR SUPERIOR LAVADO	WASHING UPPER COUPLING
SAM366	DETECTOR NIVEL	LEVEL DETECTOR
SAM367	CONJUNTO JUNTAS	GASKETS KIT
SAM368	AUTOTRANSFORMADOR 110/220/70VA	AUTOTRANSFORMER 110/220/70VA
SAM369	TUERCA COLECTOR	COLLECTOR NUT
SAM370	CODO	ELBOW
SAM371	CODO ASPIRACION	INTAKE ELBOW
SAM372	PORTAFUSIBLES AEREO	FLYING FUSE HOLDER
SAM373	PROGRAMADOR 210"	TIMER 210"
SAM374	FUSIBLE 10A	10A FUSE SET
SAM375	KIT TAPA BOMBA	BOOSTER PUMP ACCESSORIES SET
SAM376	KIT ACCESORIOS BOMBA	BOOSTER PUMP ACCESSORIES SET
SAM377	TUBO GOMA 10x16 20 ATM	20ATM 10X17 RUBBER PIPE
SAM378	DOSEFICADOR PERISTALTICO	DOSEMETER
SAM379	DOSEFICADOR PERISTALTICO REGULA	DOSEMETER
SAM380	ELECTROVALVULA VIA LAV.220V	WASH 1 WAY 220V SOLENOID
SAM381	TUBO DESAGÜE CON CODO	WITH ELBOW OUTLET PIPE
SAM382	TUBO PRESTATO-METRO 4X6	QUALITY 1.5M INLET W/FLEX 4X6 PRE SWITCH INLET PIPE
SAM383	TUBO INTERIOR DOS. PER. JABON	INLET PIPE
SAM384	TUBO INTERIOR DOS. PER. ABRILLAN	RINS.AID INSIDE PIPE
SAM385	TUBO LAVADORA 2 METROS	2 M INLET WATER FLEXIBLE
SAM386	TOMA LAVADORA 1.5 "ECO"	"ECO"-1.5M INLET WA.FLEXIB
SAM387	TOMA LAVADORA 1.5M INOX	INOX 1.5M INLET WATER FL.
SAM388	TOMA LAVADORA 2MT3/4X3/4	INOX 2MTINLET WATER FLE.
SAM389	FILTRO PERISTALTICO INTER	INTERNAL PERISTALTIC DGS.
SAM390	DOSEFICADOR REGULABLE 24vac	24vac ADJUSTABLE DOSIMETER
SAM391	DOSEFICADOR PERISTAL. JABON 24V	24V SOAP DOSIMETER

REF.	DESCRIPCIÓN	DESCRIPTION
H25211	VALVULA ABRILLANTADOR	VALVE
J...0	TERMOSTATO 0-90°	0-90° THERMOSTAT
SAM.14	RELE 24V	24V RELAY
SAM.65	TUBO SILICONA CON RACOR	SILICONE PIPE WITH FITTING
SAM100	DOSIFICADOR	DOSER
SAM106	RELE	RELAY
SAM113	TERMOSTATO SEGURIDAD	SAEITY THERMOSTAT
SAM115	JUNTA RESISTENCIA (JUEGO)	RESISTANCE GASKET
SAM120	INTERRUPTOR BIPOLAR LUMINOSO	LUMINOUS BIPOLAR SWITCH
SAM131	PROGRAMADOR 5 MICROS	5 TOOTH TIMER
SAM162	PILOTO BLANCO	WHITE PILOT
SAM163	PULSADOR NEGRO	BLACK PUSH BUTTON
SAM181	CALDERIN SP-550/800	SP-550 BOILER
SAM203	CAMARA PRESOSTATICA	PRESS SWITCH BOWL
SAM207	CONTACTOR	CONTACTOR
SAM209	FILTRO ANTIPARASITOS	INTERFERENCE SUPPRESSOR FILTER
SAM210	RESISTENCIA 6KW	6 KW RESISTANCE
SAM215	PRESOSTATO 130-40min	130-40min PRESS SWITCH
SAM216	JUEGO BISAGRAS PUERTA	DOOR SPRING
SAM218	MUELLE	SPRING
SAM219	GUIA CAMPANA	HOOD GUIDE
SAM220	GANCHO FIJACION MUELLE	SPRING HOLDER HOOK
SAM221	JUNTA CIERRE CAMPANA	LID GASKET
SAM222	IMAN	MAGNET
SAM223	DETECTOR MAGNETICO	MAGNETIC DETECTOR
SAM225	CONJUNTO EMBELLECEDOR BARRA	ADORNMENT CONNECTOR
SAM226	BORNES CONEXION	CONNECTOR
SAM247	EMBELLECEDOR MANDOS SC-1200B	CONTROLS BOARD SC-1200B
V...30	RACOR ENTRADA JABON	INLET SOAP FITTING
V..132	ELECTROVALVIA VIA LAV.220V	WASH 1 WAY 220V SOLENOID
V..198	MANDO TERMOSTATO 90°	90° THERMOSTAT HANDLE
V..392	PATA REGULABLE	M-10 ADJUSTAB 7-12CM INOX FOOT
V..415	TOMA LAVADORA 1,5M	QUALITY 1.5M.INLET W.FLEX
V..448	TUBO PRESOSTATO-METRO 4X6	4X6 PRE. SWITCH INLET PIPE
V..528	MEMBRANA SILICONA DOS.ABR	SILICONE MEMBRANE
V..546	JUNTA GOMA 3/4	WATER INLET RUBBER GASKET
V..815	TOMA LAVADORA 2 METROS	2 MT.INLET WATER FLEXIBLE
V..825	TOMA LAVADORA 1.5 «ECO»	«ECO»1.5M INLET WA.FLEXIB
V..842	VALV.RETENCION DOSF.JABON	SOAP DOS.RETENTION VALVE
V..848	TOMA LAVADORA 1.5M INOX	INOX 1.5M INLET WATER FL.
V..849	TOMA LAV.INOX 2MT.3/4X3/4	INOX 2MT.INLET WATER FLE.
V..973	DOSIFICADOR PERISTALTICO INTER	INTERNAL PERISTALTIC DOS.



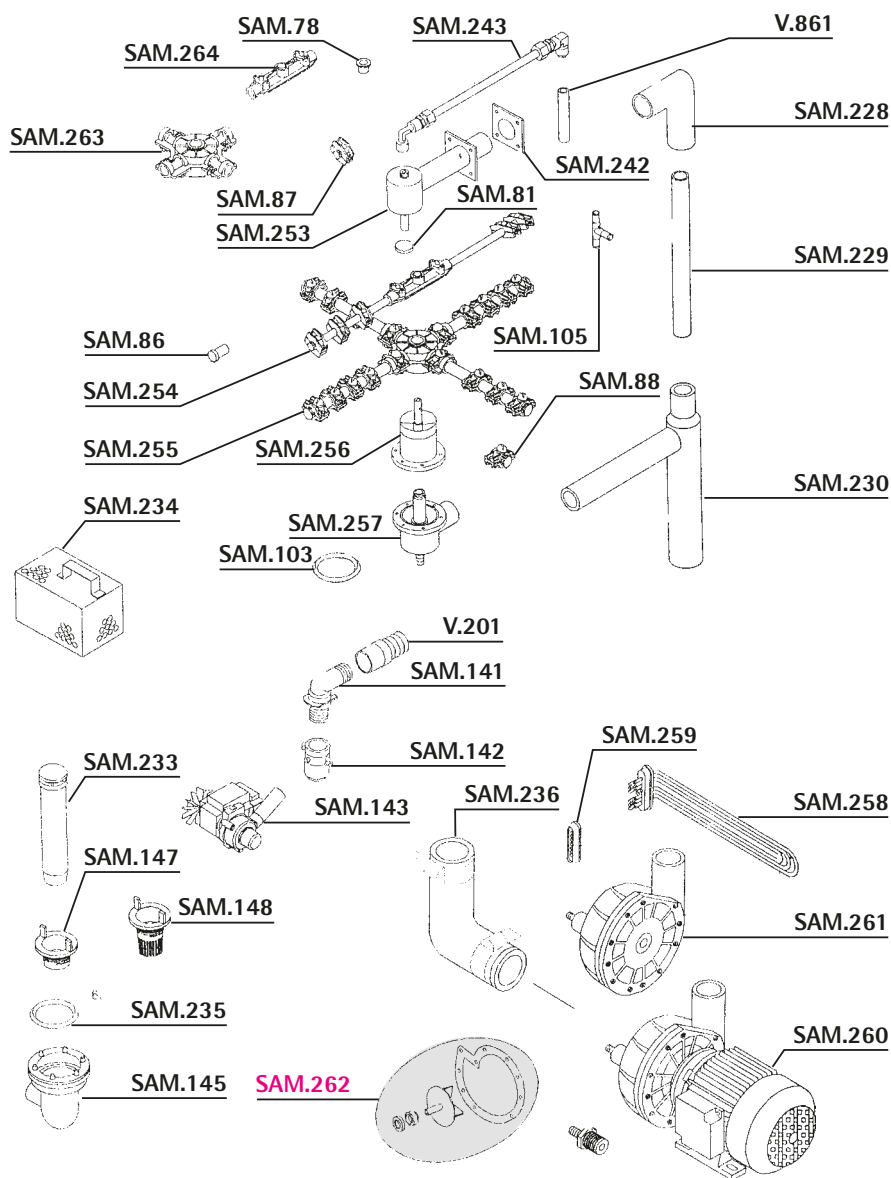
REF.	DESCRIPCIÓN	DESCRIPTION
SAM.78	CONJUNTO CASQUILLO CRUCETA	CROSSHEAD CALLAR
SAM.81	CONJUNTO TORNILLO HELICE	SPIRAL SCREW
SAM.86	CONJUNTO TAPON LAVADO	WASHING PLUG
SAM.87	CONJUNTO DIFUSORES ACLARADO	RINSING SPRAY
SAM.88	JUEGO DIFUSORES LAVADO	WASHING SPRAY
SAM103	KIT JUNTAS ACOPLADOR	COUPLING GASKET KIT
SAM105	JUEGO CONEXIONES EN T	T CONNECTOR
SAM125	CRUCETA	CROSSHEAD
SAM141	CODO ANTIRETORNO	ELBOW
SAM142	CODO DESAGÜE	DRAIN ELBOWS
SAM143	BOMBA DESAGÜE	DRAIN PUMP
SAM145	COLECTOR	COLETE
SAM147	SOPORTE REBOSADERO	DRAIN PLUG HOLDER
SAM148	FILTRO COLECTOR	COLLECTING FILTER
SAM178	KIT JUNTAS RESISTENCIA GOMA	RUBBER GASKET
SAM179	RESISTENCIA CUBA 2.5 KW.	2.5 KW TANK RESISTANCE
SAM202	BRAZO LAVADO-ACLARADO	WASH-RINSE ARM
SAM228	CODO LAVADO	WASHING ELBOW
SAM229	TUBO TRASERO	BACK PIPE
SAM230	TUBO DE LAVADO	WASHING TUBE
SAM231	TORRETA	TURRET
SAM232	ACOPLADOR INFERIOR	BOTTON COUPLING
SAM233	REBOSADERO	DRAIN PLUG
SAM234	FILTRO	FILTER
SAM235	JUNTA	GASKET
SAM236	TUBO ASPIRACION	INTAKE ELBOW
SAM237	RACOR ABRILLANTADOR	FITTING
SAM238	MOTOR 1.2 Hp	1.2 Hp MOTOR
SAM239	TAPA MOTOR 1.2 Hp	1.2 Hp MOTOR LID
SAM240	ACCESORIOS MOTOR 2 Hp	1.2 Hp MOTOR ACCESSORIES
SAM241	ACOPLADOR SUPERIOR	TOP COUPLING
SAM242	JUNTA	GOMA GASKET
SAM243	CONJUNTO TUBO ACLARADO	RINSE PIPE
V..201	TUBO DESAGÜE 28mm. 1,5mt.	28mm. 1.5mt OUTLET PIPE
V..861	TUBO GOMA 12X22mm 20ATM	20ATM 12X22mm RUBBER PIPE





REF.	DESCRIPCIÓN	DESCRIPTION
H25211	VALVULA ABRILLANTADOR	VALVE
J....0	TERMOSTATO 0-90°	0-90° THERMOSTAT
SAM.14	RELE 24V	24V RELAY
SAM.65	TUBO SILICONA CON RACOR	SILICONE PIPE WITH FITTING
SAM100	DOSIFICADOR	DOSER
SAM113	TERMOSTATO SEGURIDAD	SALETY THERMOSTAT
SAM115	JUNTA RESISTENCIA (JUEGO)	RESISTANCE GASKET
SAM120	INTERRUPTOR BIPOLAR LUMINOSO	LUMINOUS BIPOLAR SWITCH
SAM162	PILOTO BLANCO	WHITE PILOT
SAM163	PULSADOR NEGRO	BLACK PUSH BUTTON
SAM164	TAPA	LID
SAM203	CAMARA PRESOSTATICA	PRESS SWITCH BOWL
SAM205	PROGRAMADOR SP-800	TIMER
SAM209	FILTRO ANTIPARASITOS	INTERFERENCE SUPPRESSOR FILTER
SAM211	COMMUTADOR UNIPOLAR NEGRO	BLACK SWITCH
SAM215	PRESOSTATO 130-40min	130-40min PRESS SWITCH
SAM216	JUEGO BISAGRAS PUERTA	DOOR SPRING
SAM218	MUELLE	SPRING
SAM219	GUIA CAMPANA	HOOD GUIDE
SAM220	GANCHO FIJACION MUELLE	SPRING HOLDER HOOK
SAM221	JUNTA CIERRE CAMPANA	LID GASKET
SAM222	IMAN	MAGNET
SAM223	DETECTOR MAGNETICO	MAGNETIC DETECTOR
SAM225	CONJUNTO EMBELLECEDOR BARRA	ADORMMENT CONNECTOR
SAM226	BORNES CONEXION	CONNECTOR
SAM246	EMBELLECEDOR MANDOS SC-1200	CONTROLS BOARD SC-1200
SAM247	EMBELLECEDOR MANDOS SC-1200b	CONTROLS BOARD SC-1200b
SAM248	CONTACTOR b9-4000	CONTACTOR b9-4000
SAM249	CONTACTOR b16-3001	CONTACTOR b16-3001
SAM250	RESISTENCIA 9KW	9 KW RESISTANCE
SAM251	CALDERIN	BOILER
V...30	RACOR ENTRADA JABON	INLET SOAP FITTING
V..132	ELECTROVAL.1 VIA LAV.220V	WASH 1 WAY 220V SOLENOID
V..198	MANDO TERMOSTATO 90°	90° THERMOSTAT HANDLE
V..392	PATA REGULABLE	M-10 ADJUSTAB 7-12CM INOX FOOT
V..415	TOMA LAVADORA 1,5M	QUALITY 1.5M.INLET W.FLEX
V..448	TUBO PRESOSTATO-METRO 4X6	4X6 PRE.SWITCH INLET PIPE
V..528	MEMBRANA SILICONA DOS.ABR	SILICONE MEMBRANE
V..815	TOMA LAVADORA 2 METROS	2 MT.INLET WATER FLEXIBLE
V..825	TOMA LAVADORA 1.5 «ECO»	«ECO»1.5M INLET WA.FLEXIB
V..842	VALV.RETENCION DOSF.JABON	SOAP DOS.RETENTION VALVE
V..848	TOMA LAVADORA 1.5M INOX	INOX 1.5M INLET WATER FL.
V..849	TOMA LAV.INOX 2MT.3/4X3/4	INOX 2MT.INLET WATER FLE.
V..973	DOSIFICADOR PERISTALTICO INTER	INTERNAL PERISTALTIC DOS.

Lavado / Aclarado / Desagüe SC-1200 ■ SC-1200 Wash / Rinse / Drain

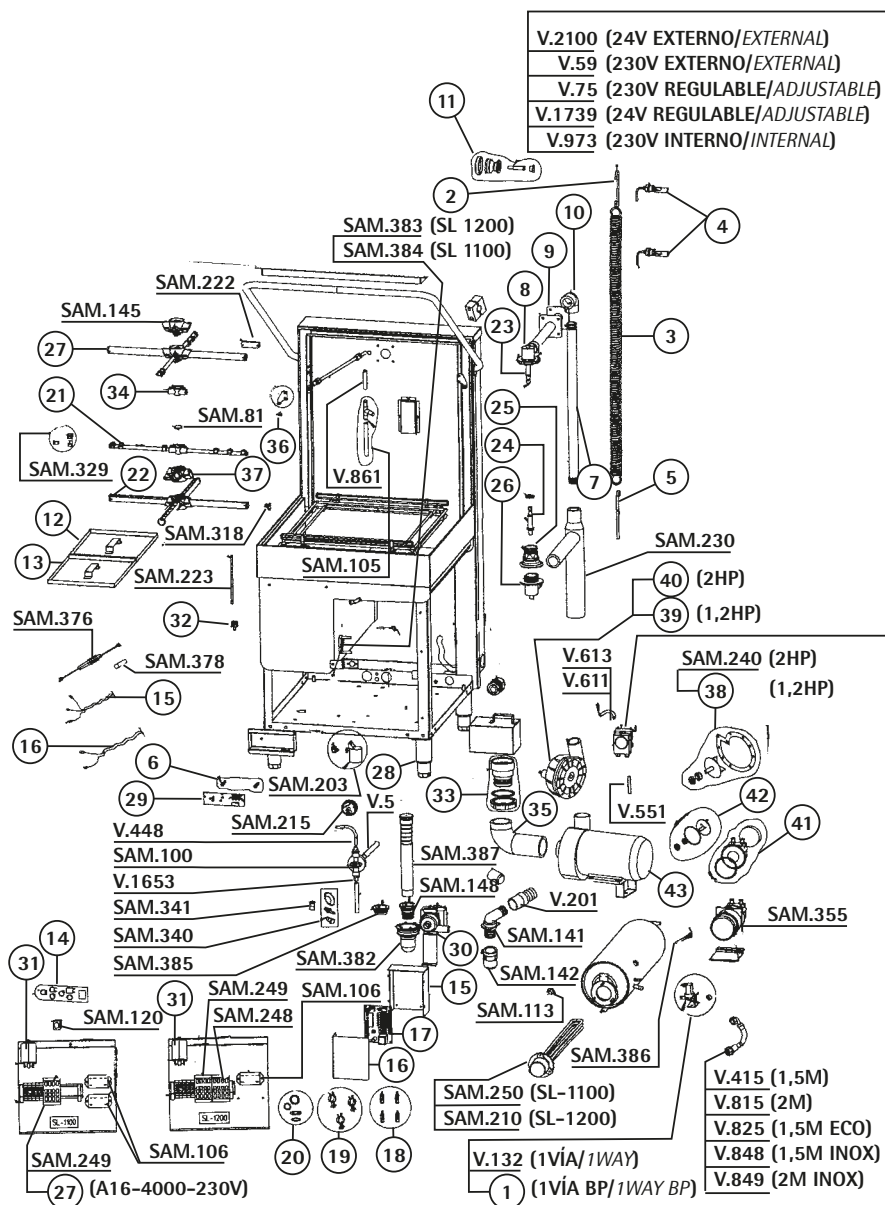


REF.	DESCRIPCIÓN	DESCRIPTION
SAM.78	CONJUNTO CASQUILLO CRUCETA	CROSSHEAD CALLAR
SAM.81	CONJUNTO TORNILLO HELICE	SPIRAL SCREW
SAM.86	CONJUNTO TAPON LAVADO	WASHING PLUG
SAM.87	CONJUNTO DIFUSORES ACLARADO	RINSING SPRAY
SAM.88	JUEGO DIFUSORES LAVADO	WASHING SPRAY
SAM103	KIT JUNTAS ACOPLADOR	COUPLING GASKET KIT
SAM105	JUEGO CONEXIONES EN T	T CONNECTOR
SAM141	CODO ANTIRETORNO	ELBOW
SAM142	CODO DESAGÜE	DRAIN ELBOWS
SAM143	BOMBA DESAGÜE	DRAIN PUMP
SAM145	COLECTOR	COLETE
SAM147	SOPORTE REBOSADERO	DRAIN PLUG HOLDER
SAM148	FILTRO COLECTOR	COLLECTING FILTER
SAM228	CODO LAVADO	WASHING ELBOW
SAM229	TUBO TRASERO	BACK PIPE
SAM230	TUBO DE LAVADO	WASHING TUBE
SAM233	REBOSADERO	DRAIN PLUG
SAM234	FILTRO	FILTER
SAM235	JUNTA	GASKET
SAM236	TUBO ASPIRACION	INTAKE ELBOW
SAM242	JUNTA GOMA	GASKET
SAM243	CONJUNTO TUBO ACLARADO	RINSE PIPE
SAM253	ACOPLADOR SUPERIOR	TOP COUPLING
SAM254	BRAZO ACLARADO SC-1200	SC-1200 RINSE ARM
SAM255	BRAZO LAVADO SC-1200	SC-1200 WASH ARM
SAM256	TORRETA SC-1200	TURRET SC-1200
SAM257	ACOPLADOR INFERIOR	LOWER COUPLING
SAM258	RESISTENCIA CUBA 3 KW	TANK 3 KW RESISTANCE
SAM259	ARTICULO DADO DE BAJA	CANCEL
SAM260	MOTOR 2 Hp	2 Hp MOTOR
SAM261	TAPA MOTOR 2 Hp	2 Hp MOTOR LID
SAM262	ACCESORIOS MOTOR 2 Hp	2 Hp MOTOR ACCESSORIES
SAM263	CRUCETA SC-1200	SC-1200 CROSSHEAD
SAM264	DISTRIBUIDOR ACLARADO	RINSE DISTRIBUTOR
V..201	TUBO DESAGÜE 28mm. 1,5mt.	28mm. 1.5mt OUTLET PIPE
V..861	TUBO GOMA 12X22mm 20ATM	20ATM 12X22mm RUBBER PIPE

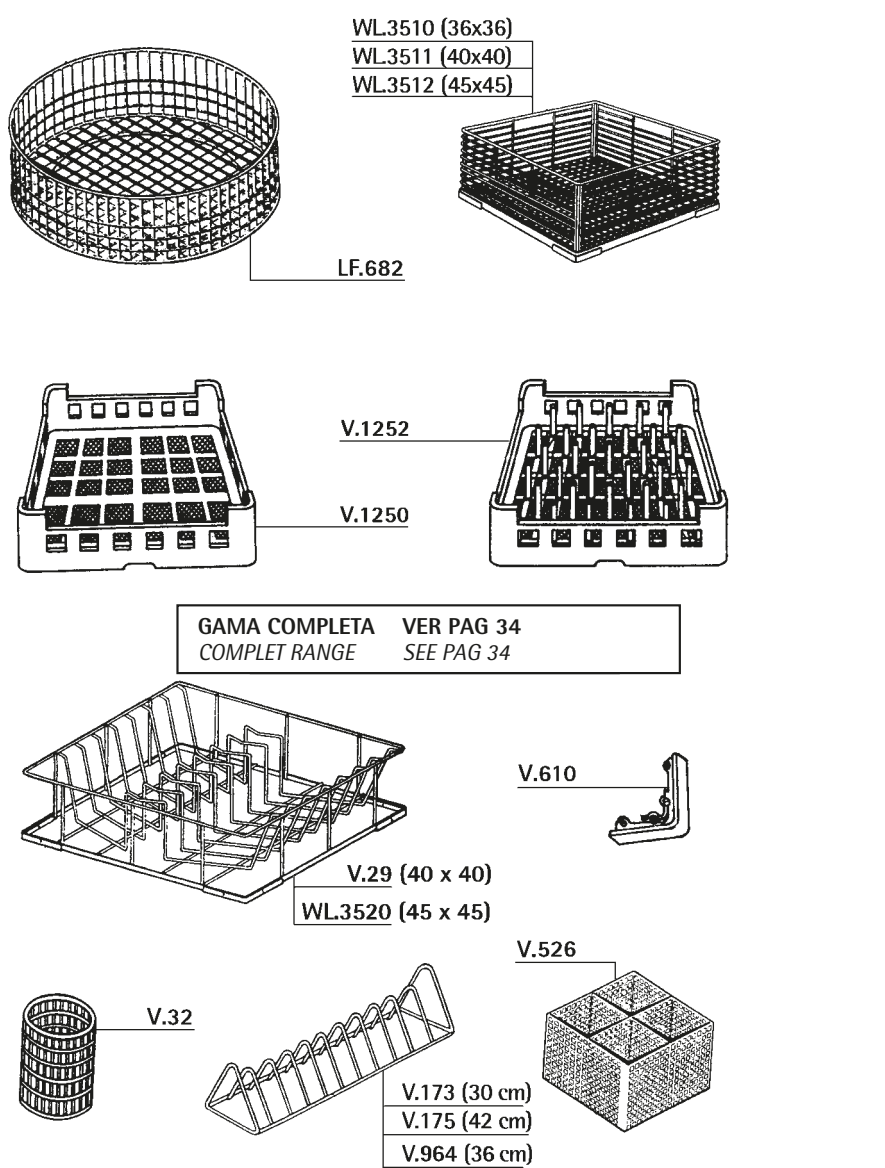
Order our free DVD, include all ours catalogues. More than 50.000 codes.



REF.	DESCRIPCIÓN	DESCRIPTION
SAM.81	CONJUNTO TORNILLO HELICE	SPIRAL SCREW
SAM100	DOSIFICADOR	DOSER
SAM105	JUEGO CONEXIONES EN T	T CONNECTOR
SAM106	RELE	RELAY
SAM113	TERMOSTATO SEGURIDAD	SALETY THERMOSTAT
SAM120	INTERRUPTOR BIPOLAR LUMINOSO	LUMINOUS BIPOLAR SWITCH
SAM141	CODO ANTIRETORNO	ELBOW
SAM142	CODO DESAGÜE	DRAIN ELBOWS
SAM145	COLECTOR	COLETE
SAM148	FILTRO COLECTOR	COLLECTING FILTER
SAM203	CAMARA PRESOSTATICA	PRESS SWITCH BOWL
SAM210	RESISTENCIA 6KW	6 KW RESISTANCE
SAM215	PRESOSTATO 130-40min	130-40min PRESS SWITCH
SAM222	IMAN	MAGNET
SAM223	DETECTOR MAGNETICO	MAGNETIC DETECTOR
SAM230	TUBO DE LAVADO	WASHING TUBE
SAM240	ACCESORIOS MOTOR 2 Hp	1.2 Hp MOTOR ACCESSORIES
SAM248	CONTACTOR b9-4000	CONTACTOR b9-4000
SAM249	CONTACTOR b16-3001	CONTACTOR b16-3001
SAM250	RESISTENCIA 9KW	9 KW RESISTANCE
SAM318	TAPON BRAZO LAVADO (SET 4 PIEZ)	WASHING PLUGS SET (4)
SAM329	KIT DIFUSORES + TAPONES ACLARA	RINSING DISPERSER + PLUGS SET
SAM340	MEMBRANAS + VALVULA DOSIFICADO	DOSING MEMBRANES + VALVES SET
SAM341	VALVULA DOSIFICADOR	DOSING VALVES SET
SAM355	BOMBA PRESION	BOOSTER PUMP
SAM376	PORTAFUSIBLES AEREO	FLYING FUSE HOLDER
SAM378	FUSIBLE CERAMICO 10A	10A FUSE SET
SAM382	COLECTOR VACIADO	DRAINAGE SET
SAM383	RESIS. CUBA 3KW 230V-SL-1200	TANK ELEMENT 3KW 230V-SL-1200
SAM384	RESIS CUBA 2,5KW 230V-SL-1100	TANK RESISTANCE 2,5KW
SAM385	SOPORTE REBOSADERO	DRAIN PLUG HOLDER
SAM386	SONDA TEMPERATURA	TEMPERATURE PROBE
SAM387	REBOSADERO	DRAIN PLUG
V....5	TUBO GOMA 10X16 20 ATM	20ATM 10X17 RUBBER PIPE
V..59	DOSIFICADOR PERISTALTICO	DOSIMETER
V..75	DOSIF.PERISTALTICO REGULA	ADJUSTABLE DOSIMETER
V..132	ELECTROVAL.1 VIA LAV.220V	WASH 1 WAY 220V SOLENOID
V..201	TUBO DESAGÜE 28mm. 1,5mt.	28mm. 1.5mt OUTLET PIPE
V..415	TOMA LAVADORA 1,5M	QUALITY 1.5M.INLET W.FLEX
V..448	TUBO PRESOSTATO-METRO 4X6	4X6 PRE.SWITCH INLET PIPE
V..551	TUBO SILICONA 5x7mm	5x7mm SILICONE PIPE
V..611	TUBO INTERIOR DOS.PER. JABON	INLET PIPE
V..613	TUBO INTERIOR DOS.PER.ABRILLAN	RINS.AID INSIDE PIPE
V..815	TOMA LAVADORA 2 METROS	2 MT.INLET WATER FLEXIBLE
V..825	TOMA LAVADORA 1.5 «ECO»	«ECO»1.5M INLET WA.FLEXIB
V..848	TOMA LAVADORA 1.5M INOX	INOX 1.5M INLET WATER FL.
V..849	TOMA LAV.INOX 2MT.3/4X3/4	INOX 2MT.INLET WATER FLE.
V..861	TUBO GOMA 12X22mm 20ATM	20ATM 12X22mm RUBBER PIPE
V..973	DOSIFICADOR PERISTALTICO INTER	INTERNAL PERISTALTIC DOS.
V.1653	TUBO PVC 6x8mm	PVC PIPE 6x8mm
V.1739	DOSIF.PERISTAL.REGULABLE 24Vac	24Vac ADJUSTABLE DOSIMETER
V.2100	DOSIFICADOR PERISTAL.JABON 24V	24V SOAP DOSIMETER

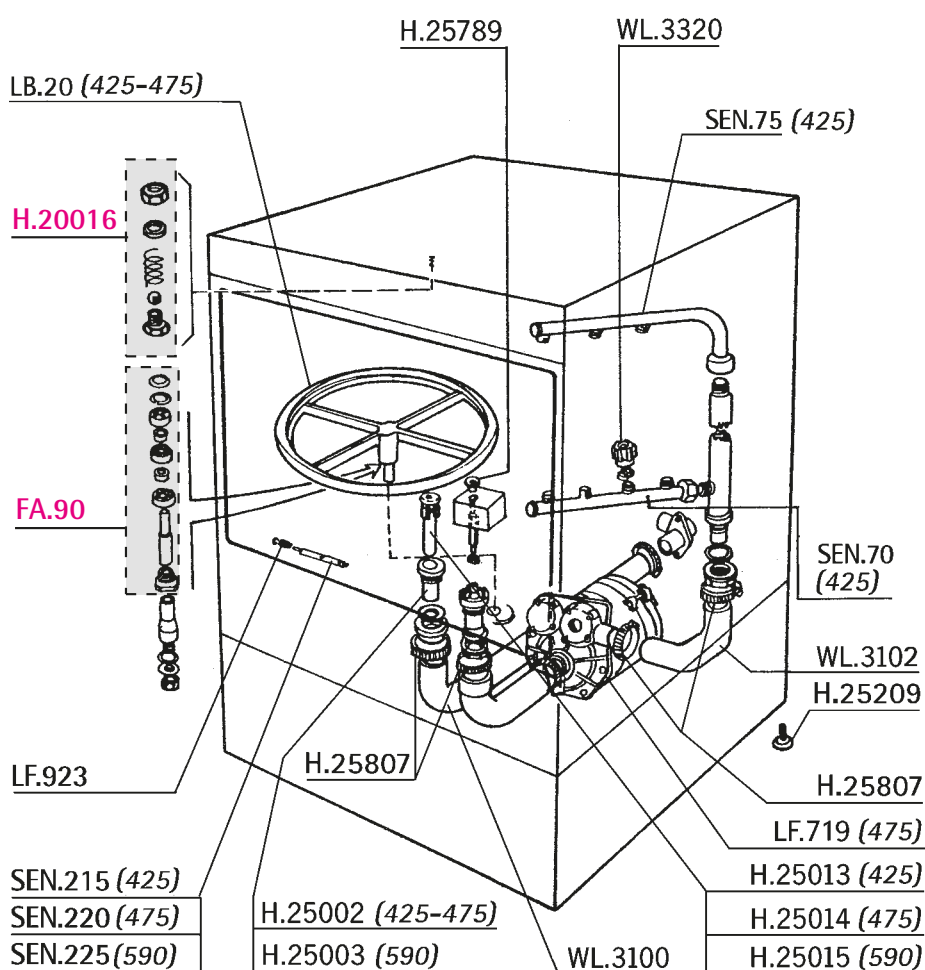


REF.	DESCRIPCIÓN	DESCRIPTION
LF.682	CESTO VASOS 36CMT	36 CM. GLASSES BASKET
V...29	CESTO CUADRO PLATOS 40x40	40X40 SQUARE PLATE BASKET
V...32	CESTO CUCHARAS PLASTICO	PLASTIC SPOON BASKET
V..173	INSERTO PLATOS 30CMT.	30CMT DISHES INSERT
V..175	INSERTO PLATOS 42CMT.	42CMT DISHES INSERT
V..526	CESTO CUCHARAS CUADRADO	SQUARE SPOON BASKET
V..610	CANTONERA CESTO CUADRADO	BASKET SQUARE CORNERPIECE
V..964	INSERTO PLATOS 36cm	36cm DISHES INSERT
V.1250	CESTA VASOS 50X50	50X50 GLASSES RACK
V.1252	CEST.PLATOS-BANDEJA 50X50	PLATES AND TRAYS RACK
WL3510	CESTO CUADRO VASOS 36x36	36X36 GLASSES BASKET
WL3511	CESTO CUADRO VASOS 40x40	40X40 GLASSES BASKET
WL3512	CESTO CUADRO VASOS 45x45	45X45 GLASSES BASKET
WL3520	CESTO CUADRO PLATOS 45x45	45X45 DISH BASKET



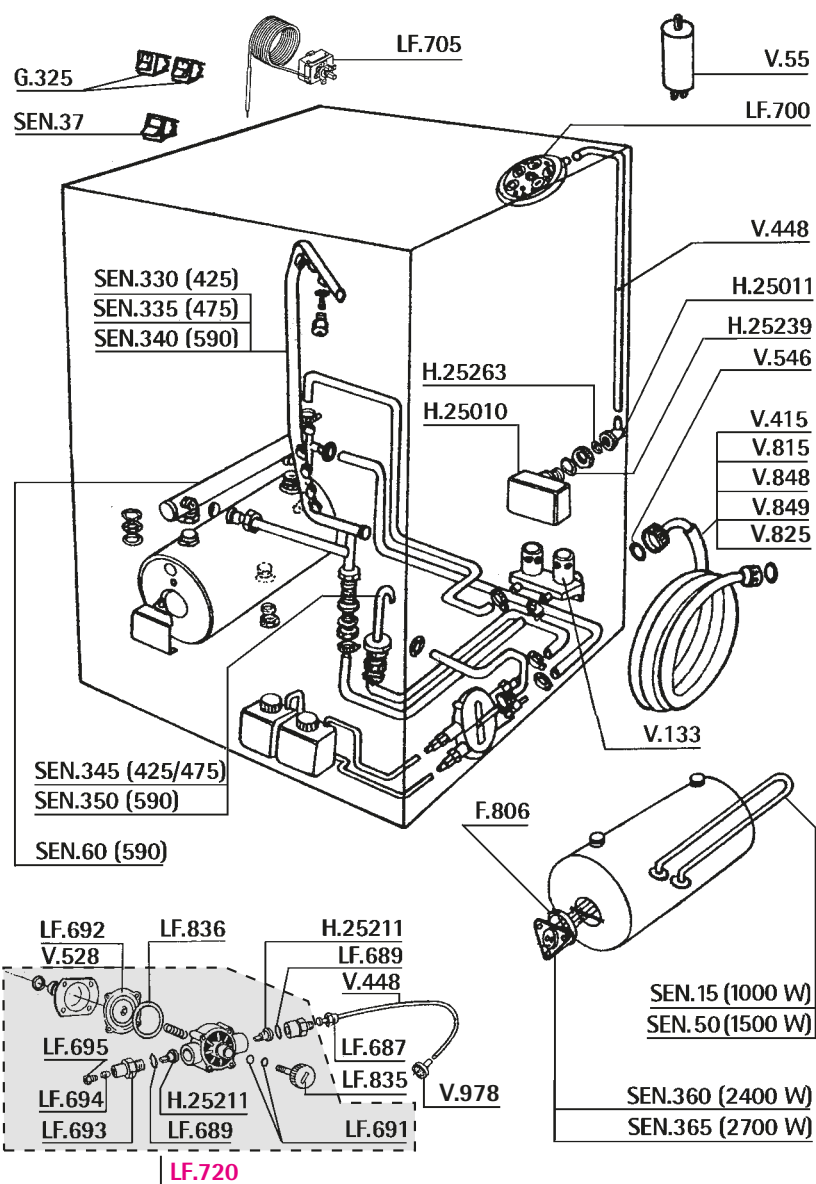
Carrocería - Lavado 425 / 475 / 590	425 / 475 / 590 Bodywork / Wash	1466
Aclarado 425 / 475 / 590	425 / 475 / 590 Rinse	1467
Cestos	Baskets	1468

Carrocería - Lavado 425 / 475 / 590 ■ 425 / 475 / 590 Bodywork / Wash 1466

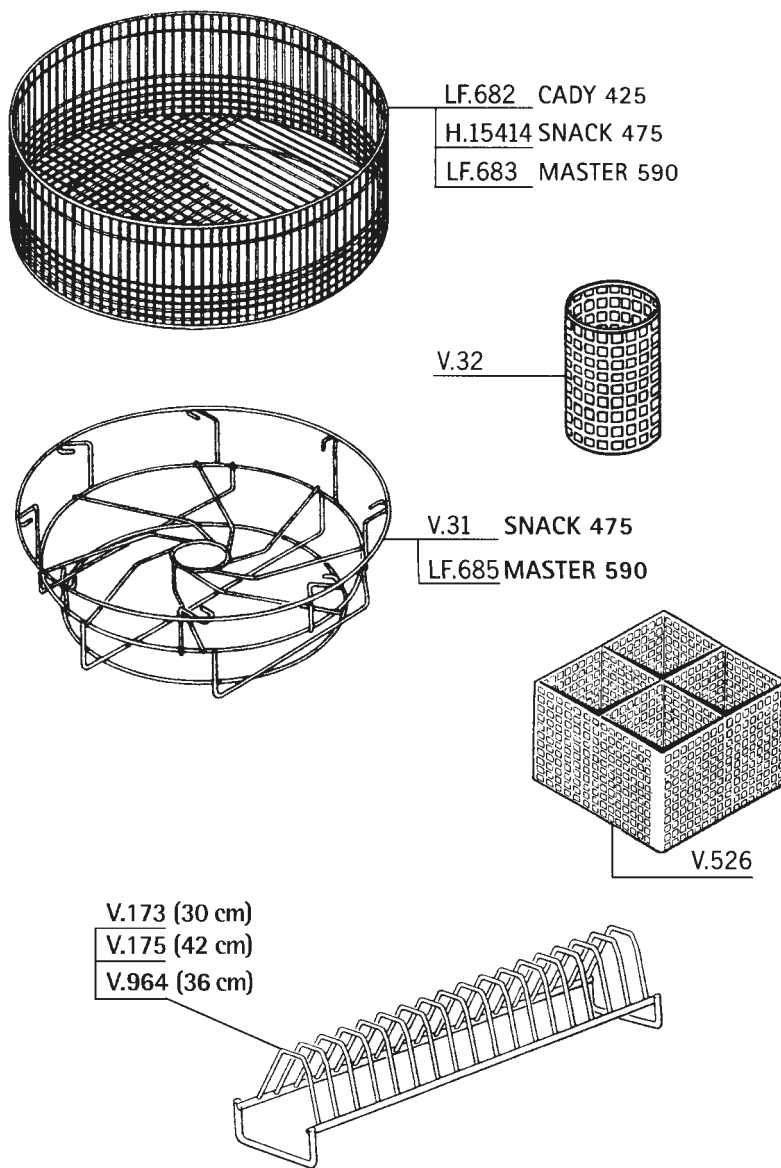


REF.	DESCRIPCIÓN	DESCRIPTION
FA..90	EJE VOLANTE	ROTATING PLATE ROD
H20016	CIERRE PUERTA	CLOSING DOOR
H25002	RACOR DESAGÜE	DRAIN FITTING
H25003	RACOR DESAGÜE	DRAIN FITTING
H25013	SOBRENIVEL	OVERFLOW
H25014	SOBRENIVEL	OVERFLOW
H25015	SOBRENIVEL	OVERFLOW
H25209	PIE MAQUINA	MACHINE FOOT
H25789	PALOMILLA FILTRO	FILTER SMUGGLER
H25807	ABRAZADERA 25-40	25-40 CLAMP
LB..20	VOLANTE 29CM	29CM.ROTATING PLATE
LF.719	ELECTROBOMBA 0.3HP	0.3HP PUMP
LF.923	ANILLO SEEGER	SEEGER RING
SEN.70	BRAZO LAV.INF.CADY 425	CADY 425 LOWER WASH ARM
SEN.75	BRAZO LAVADO SUP.CADY 425	CADY 425 UPPER WASH ARM
SEN215	EJE PUERTA 425	425 DOOR ROD
SEN220	EJE PUERTA 475	475 DOOR ROD
SEN225	EJE PUERTA 590	590 DOOR ROD
WL3100	MANGUITO 36CMT	36CMT SLEEVE
WL3102	MANGUITO ENVIO 36CMT	36CMT OUTLET SLEEVE
WL3320	RACOR LAVADO	WASHING FITTING

REF.	DESCRIPCIÓN	DESCRIPTION
F.806	TORICA	RING
G.325	INTERRUPTOR LUMINOSO ROJO	RED LUMINOUS SWITCH
H25010	CAMARA PRESOSTATICA	PRESSURE SWITCH CHAMBER
H25011	RACOR PLASTICO	FITTING
H25211	VALVULA ABRILLANTADOR	VALVE
H25239	TORICA CIERRE	CLOSING RING
H25263	JUNTA CIERRE GOMA	CLOSING RUBBER GASKET
LF.687	RACOR DOSIFABRILLANT.	RINSE AID FITTING
LF.689	ARANDELA DOSIFABRILLANTADOR	RINSE AID DOSIMET.WASHER
LF.691	TORICA DOSIFABRILLANTADOR	DOSIMETER RING
LF.692	MEMBRANA DOSIFABRILLANTAD	DOSIMETER MEMBRANE
LF.693	RACOR DOSIFABRILLANTADOR	RINSE AID FITTING
LF.694	BICONO DOSIFABRILLANTADOR	BICONE
LF.695	TUERCA DOSIFABRILLANTADOR	RINSE AID DOSIM. NUT
LF.700	PRESOSTATO SAL/HOR.80/50	50/80 HORIZ.PRESS SWITCH
LF.705	TERMOSTATO 90° BULBO 3mt.	90° BULB 3m THERMOSTAT
LF.720	DOSIFICADOR ABRILLANTADOR	RINSE AID DOSIMETER
LF.835	POMO DOSIFABRILLANTADOR	RINSE AID HANDLE
LF.836	TORICA ELECTROBOMBA GOMA	MOTOR RUBBER RING
SEN.15	RESISTENCIA CUBA 1000W 230V	1000W 230V TANK RESISTANCE
SEN.37	PULSADOR CICLO LAVA. ROJO	RED WASHING PUSH-BUTTON
SEN.50	RESISTENCIA CUBA 1500 W 230V	TANK RESISTANCE 1500W 230V
SEN.60	INTERCAMBIADOR 590	590 HEAT EXCHANGER
SEN330	ARBOL ACLARADO CADY-425	CADY 425 RINSE TREE
SEN335	ARBOL ACLARADO SNACK-475	SNACK-475 RINSE TREE
SEN340	ARBOL ACLARADO MASTER-590	MASTER-590 RINSE TREE
SEN345	PIPETA DETERGENTE 425/475	425/475 DETERS. PIPE
SEN350	PIPETA DETERGENTE 590	590 DETERSIVE PIPE
SEN360	RESIST.CALDERIN 2400W	2400W 230V BOILER RESISTANCE
SEN365	RESIST.CALDERIN 2700W 230V	2700W BOILER RESISTANCE
V..55	CONDENSADOR 10 MF 220V	220V 10MF.CONDENSER
V.133	ELECTROVAL.2 VIA LAV.220V	WASH 2 WAYS 220V SOLENOID
V.415	TOMA LAVADORA 1,5M	QUALITY 1.5M.INLET W.FLEX
V.448	TUBO PRESOSTATO-MASTRO 4X6	4X6 PRE.SWITCH INLET PIPE
V.528	MEMBRANA SILICONA DOS.ABR	SILICONE MEMBRANE
V.546	JUNTA GOMA 3/4	WATER INLET RUBBER GASKET
V.815	TOMA LAVADORA 2 METROS	2 MT.INLET WATER FLEXIBLE
V.825	TOMA LAVADORA 1.5 "ECO"	"ECO"1.5M INLET WA.FLEXIB
V.848	TOMA LAVADORA 1.5M INOX	INOX 1.5M INLET WATER FL.
V.849	TOMA LAV.INOX 2MT.3/4X3/4	INOX 2MT.INLET WATER FLE.
V.978	FILTRO DOSIFICADOR	DOSIMETER FILTER

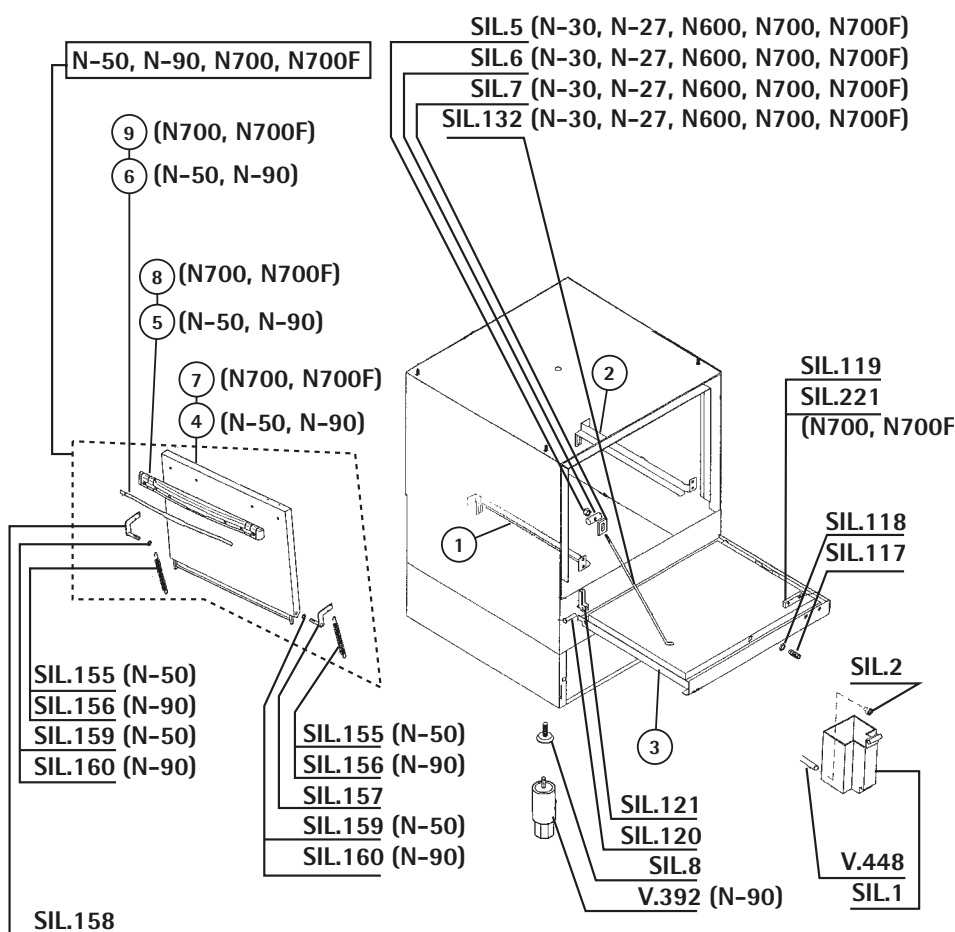


REF.	DESCRIPCIÓN	DESCRIPTION
H15414	CESTO VASOS 40 CMT.	40 CM. GLASSES BASKET
LF.682	CESTO VASOS 36CMT	36 CM. GLASSES BASKET
LF.683	CESTO VASOS 45 CMT.	45 CM. GLASSES BASKET
LF.685	CESTO PLATOS 45 CMT.	45 CM. DISH BASKET
V..31	CESTO PLATOS 40 CMT	40 CM. DISH BASKET
V..32	CESTO CUCHARAS PLASTICO	PLASTIC SPOON BASKET
V..173	INSERTO PLATOS 30CMT.	30CMT DISHES INSERT
V..175	INSERTO PLATOS 42CMT.	42CMT DISHES INSERT
V..526	CESTO CUCHARAS CUADRADO	SQUARE SPOON BASKET
V..964	INSERTO PLATOS 36cm	36cm DISHES INSERT



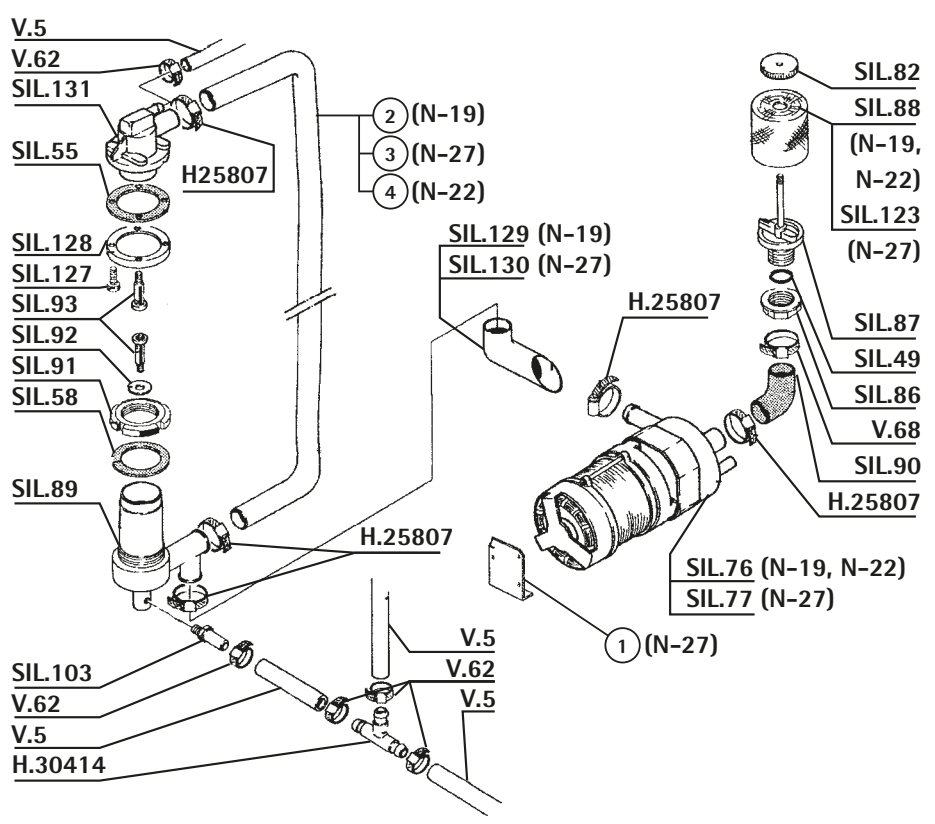
Carrocería SVELTINA, N19, N22, N24, N27, N30, N40, N50, N90, N600, N700, N700F	SVELTINA, N19, N22, N24, N27, N30, N40, N50, N90, N600, N700, N700F Bodywork	1470
Circuito hidráulico N19, N22, N27	N19, N22, N27 Hydraulic circuit	1471
Circuito hidráulico SVELTINA N24, N30	SVELTINA N24, N30 Hydraulic circuit	1472
Circuito hidráulico N40	N40 Hydraulic circuit	1473
Circuito hidráulico N50	N50 Hydraulic circuit	1474
Circuito hidráulico N90	N90 Hydraulic circuit	1475
Circuito hidráulico 600	600 Hydraulic circuit	1476
Circuito hidráulico N700 / N700F	N700/ N700F Hydraulic circuit	1477
Lavado / Aclarado N19, N22, N27, N40	N19, N22, N27, N40 Wash / Rinse	1478
Lavado / Aclarado SVELTINA N24, N30, N50, N90	SVELTINA N24, N30, N50, N90 Wash / Rinse	1479
Lavado / Aclarado N600, N700, N700F	N600, N700, N700F Wash / Rinse	1480
Calderín / Varios N19, N22, N27	N19, N22, N27 Boiler / Various	1481
Calderín / Varios SVELTINA, N24, N30	SVELTINA, N24, N30 Boiler / Various	1482
Calderín / Varios N40	N40 Boiler / Various	1483
Filtros / Desagüe / Componentes eléctricos N40	N40 Electric components / Outlet / Filters	1484
Calderín / Varios N50, N90	N50, N90 Boiler / Various	1485
Calderín / Varios N600, N700, N700F	N600, N700, N700F Boiler / Various	1486
Panel mandos N19, N22, N27	N19, N22, N27 Control panel	1487
Panel mandos SVELTINA, N24, N30	SVELTINA, N24, N30 Control panel	1488
Panel mandos N40	N40 Control panel	1489
Panel mandos N50, N90	N50, N90 Control panel	1490
Panel mandos N600, N700, N700F	N600, N700, N700F Control panel	1491
Carrocería 1000, 1300, 1300S	1000, 1300, 1300S Bodywork	1492
Motor / Varios 1000	1000 Motor / Various	1493
Motor / Varios 1300	1300 Motor / Various	1494
Motor / Varios 1300S	1300S Motor / Various	1495
Lavado / Aclarado 1000	1000 Wash / Rinse	1496
Lavado / Aclarado 1300	1300 Wash / Rinse	1497
Lavado / Aclarado 1300S	1300S Wash / Rinse	1498
Calderín 1000 / 1300 / 1300S	1000 / 1300 / 1300S Boiler	1499
Panel mandos 1000, 1300, 1300S	1000, 1300, 1300S Control panel	1500
Cestos	Baskets	1501

Carrocería SVELTINA, N19, N22, N24, N27, N30, N40, N50, N90, N600, N700, N700F ■ SVELTINA, N19, N22, N24, N27, N30, N40, N50, N90, N600, N700, N700F Bodywork 1470



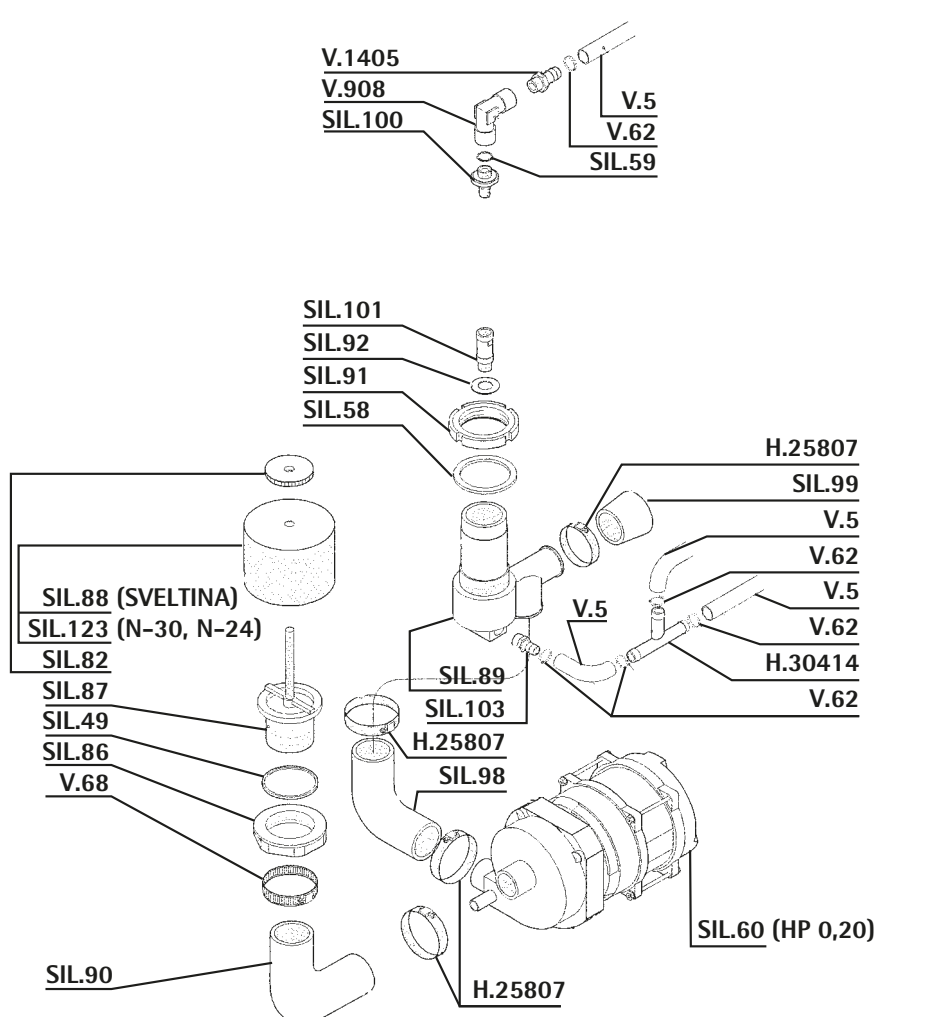
REF.	DESCRIPCIÓN	DESCRIPTION
SIL.1	RECIPIENTE BRILLANTE	RINSE-AID CONTAINER
SIL.2	FILTRO	FILTER
SIL.5	TUERCA	NUT
SIL.6	TOPE PUERTA	DOOR CLOSING
SIL.7	PLACA CIERRE PUERTA	DOOR CLOSING PLATE
SIL.8	PIE V-40/600/070/700/N-24	FOOT V-40/600/070/700/N-24
SIL117	ESPIRRO PUERTA	DOOR CATCH
SIL118	TUERCA	NUT
SIL119	IMAN	COVER MAGNET
SIL120	PERNO PUERTA	DOOR PIN
SIL121	BISAGRA	HINGE
SIL132	VARILLA PUERTA	DOOR SCREW STAY
SIL155	MUELLE N-50	N-50 SPRING
SIL156	MUELLE N-90	N-90 SPRING
SIL157	BISAGRA DERECHA	RIGHT HINGE
SIL158	BISAGRA IZQUIERDA	LEFT HINGE
SIL159	JUNTA N-50	N-50 GASKET
SIL160	JUNTA N-90	N-90 GASKET
SIL221	IMIN PUERTA	DOOR MAGNET
V.392	PATA REGULABLE	M-10 ADJUSTAB 7-12CM INOX FOOT
V.448	TUBO PRESOSTATO-METRO 4X6	4X6 PRE.SWITCH INLET PIPE

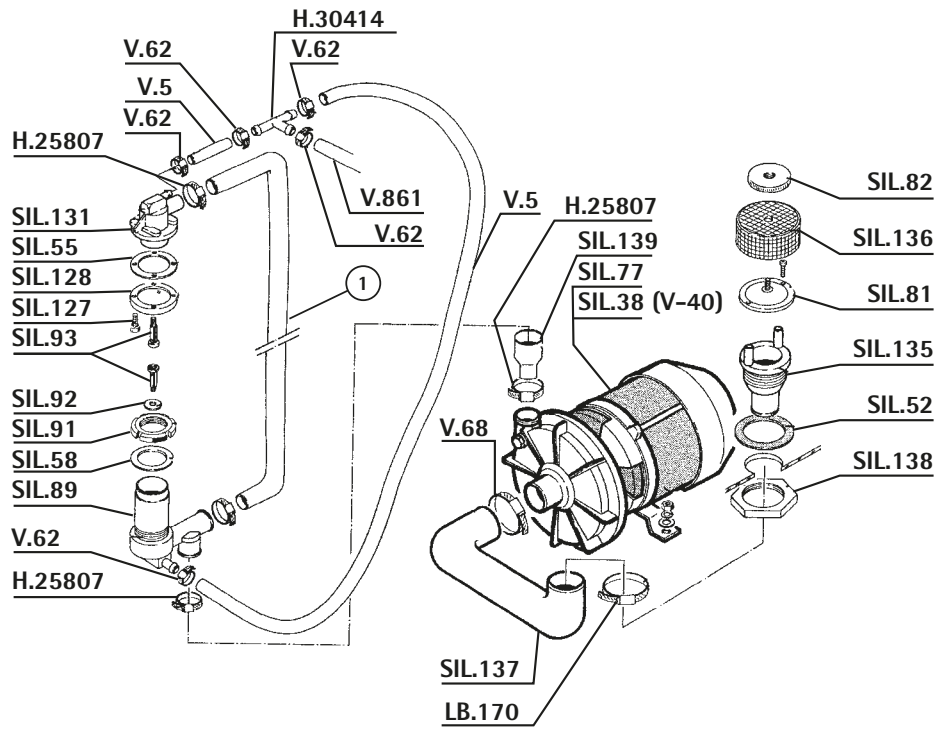
REF.	DESCRIPCIÓN	DESCRIPTION
H25807	ABRAZADERA 25-40	25-40 CLAMP
H30414	RACOR EMPALME	UNION FITTING
SIL.49	JUNTA	GASKET
SIL.55	JUNTA GOMA	RUBBER GASKET
SIL.58	JUNTA GOMA	GASKET
SIL.76	MOTOR 0.20 HP	0.20 HP MOTOR
SIL.77	MOTOR 0.5 HP	0.5 HP MOTOR
SIL.82	TUERCA FILTRO	FILTER NUT
SIL.86	TUERCA PLASTICO	PLASTIC NUT
SIL.87	SOPORTE FILTRO	SUPPORT FILTER
SIL.88	FILTRO	FILTER
SIL.89	CODO INFERIOR	LOWER ELBOW
SIL.90	CODO BOMBA	PUMP ELBOW
SIL.91	TUERCA	NUT
SIL.92	ARANDELA	WASHER
SIL.93	PERNO	BOLT
SIL.103	RACOR	FITTING
SIL.123	FILTRO N-24	FILTER N-24
SIL.127	TORNILLO M6x10	SCREW M6x10
SIL.128	ADAPTADOR	ADAPTOR
SIL.129	CODO N-19	ELBOW N-19
SIL.130	CODO N-27	ELBOW N-27
SIL.131	COLECTOR SUPERIOR	UPPER HUB
V...5	TUBO GOMA 10X16 20 ATM	20ATM 10X17 RUBBER PIPE
V...62	ABRAZADERA 12-20	12-20 CLAMP
V...68	ABRAZADERA 32-50	35-50 CLAMP



1472 Circuito hidráulico SVELTINA N24, N30 ■ SVELTINA N24, N30 Hydraulic circuit

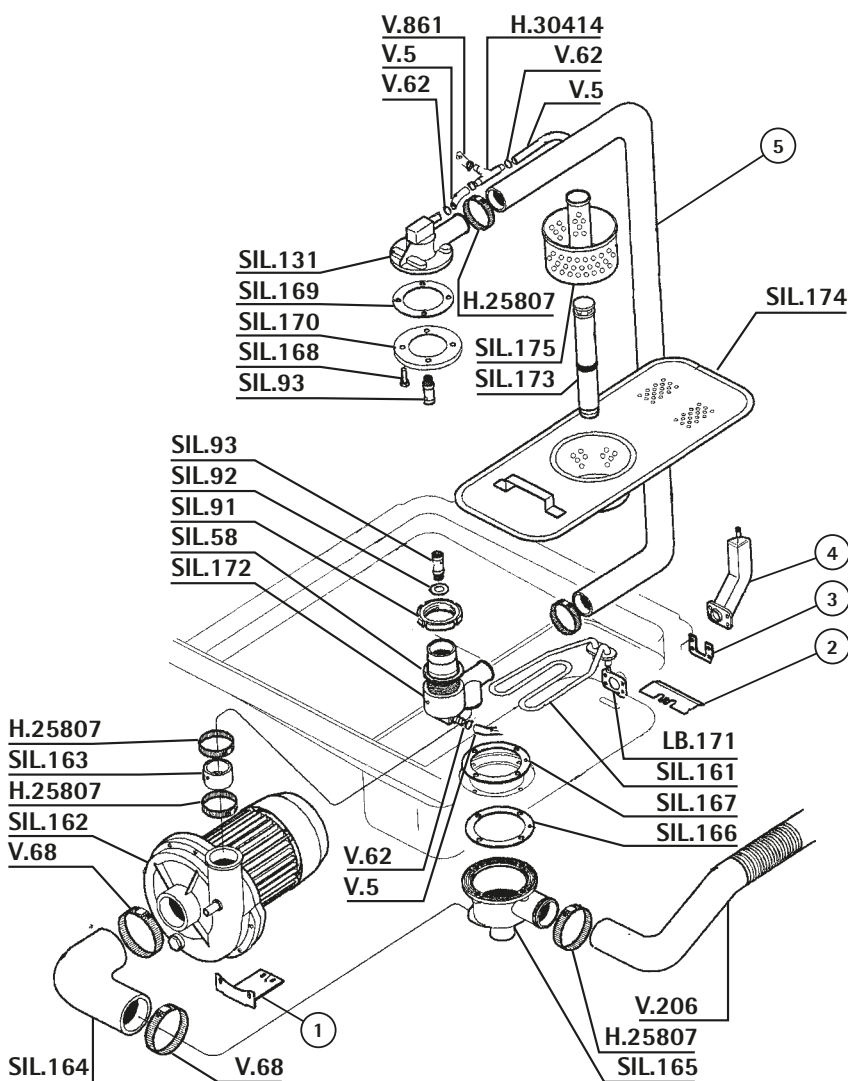
REF.	DESCRIPCIÓN	DESCRIPTION
H25807	ABRAZADERA 25-40	25-40 CLAMP
H30414	RACOR EMPALME	UNION FITTING
SIL.49	JUNTA	GASKET
SIL.58	JUNTA GOMA	GASKET
SIL.59	JUNTA	GASKET
SIL.60	MOTOR 0,20 HP	0.20 HP MOTOR
SIL.82	TUERCA FILTRO	FILTER NUT
SIL.86	TUERCA PLASTICO	PLASTIC NUT
SIL.87	SOPORTE FILTRO	SUPPORT FILTER
SIL.88	FILTRO	FILTER
SIL.89	CODO INFERIOR	LOWER ELBOW
SIL.90	CODO BOMBA	PUMP ELBOW
SIL.91	TUERCA	NUT
SIL.92	ARANDELA	WASHER
SIL.98	CODO BOMBA	PUMP ELBOW
SIL.99	TAPON	PLUG
SIL.100	RACOR	FITTING
SIL.101	PERNO LAVADO	WASH PING
SIL.103	RACOR	FITTING
SIL.123	FILTRO N-24	FILTER N-24
V...5	TUBO GOMA 10X16 20 ATM	20ATM 10X17 RUBBER PIPE
V...62	ABRAZADERA 12-20	12-20 CLAMP
V...68	ABRAZADERA 32-50	35-50 CLAMP
V.908	CODO 1/4H	1/4f ELBOW
V.1405	BOQUILLA 1/4M DIM.9mm	DIM.9mm 1/4M HOSE STEM





REF.	DESCRIPCIÓN	DESCRIPTION
H25807	ABRAZADERA 25-40	25-40 CLAMP
H30414	RACOR EMPALME	UNION FITTING
LB.170	ABRAZADERA 40-60	40-60 CLAMP
SIL.38	MOTOR 1 HP	1 HP MOTOR
SIL.52	JUNTA GOMA	RUBBER GASKET
SIL.55	JUNTA GOMA	RUBBER GASKET
SIL.58	JUNTA GOMA	GASKET
SIL.77	MOTOR 0.5 HP	0.5 HP MOTOR
SIL.81	BASE FILTRO	FILTER BOSE
SIL.82	TUERCA FILTRO	FILTER NUT
SIL.89	CODO INFERIOR	LOWER ELBOW
SIL.91	TUERCA	NUT
SIL.92	ARANDELA	WASHER
SIL.93	PERNO	BOLT
SIL.127	TORNILLO M6x10	SCREW M6x10
SIL.128	ADAPTADOR	ADAPTOR
SIL.131	COLECTOR SUPERIOR	UPPER HUB
SIL.135	SOPORTE FILTRO	FILTER SUPPORT
SIL.136	FILTRO N-40	FILTER N-40
SIL.137	MANGUITO	INLET ELBOW
SIL.138	TUERCA	NUT
SIL.139	MANGUITO	OUTLET ELBOW
V....5	TUBO GOMA 10X16 20 ATM	20ATM 10X17 RUBBER PIPE
V...62	ABRAZADERA 12-20	12-20 CLAMP
V...68	ABRAZADERA 32-50	35-50 CLAMP
V.861	TUBO GOMA 12X22mm 20ATM	20ATM 12X22mm RUBBER PIPE

Circuito hidráulico N50 ■ N50 Hydraulic circuit

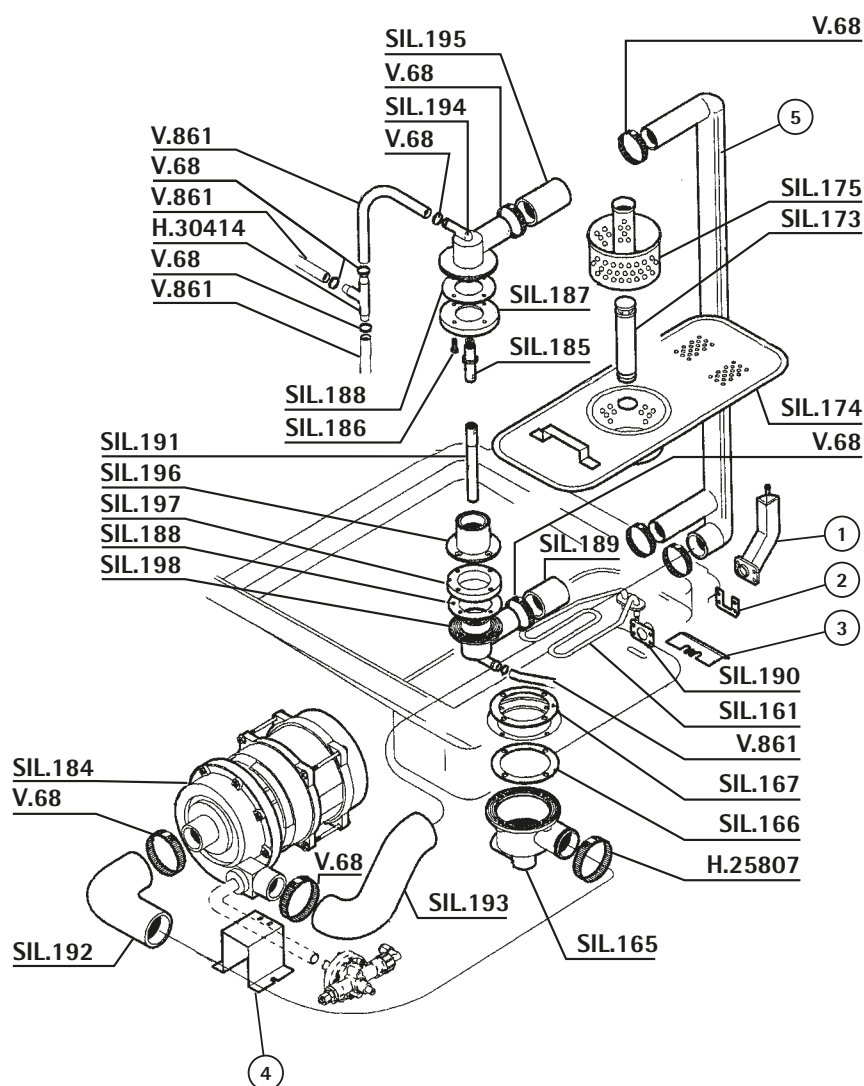


REF.	DESCRIPCIÓN	DESCRIPTION
H25807	ABRAZADERA 25-40	25-40 CLAMP
H30414	RACOR EMPALME	UNION FITTING
SIL.58	JUNTA GOMA	GASKET
SIL.91	TUERCA	NUT
SIL.92	ARANDELA	WASHER
SIL.93	PERNO	BOLT
SIL.131	COLECTOR SUPERIOR	UPPER HUB
SIL.161	RESISTENCIA 2000W	2000W RESISTANCE
SIL.162	MOTOR 0,75	0,75 MOTOR
SIL.163	MANGUITO	OUTLET ELBOW
SIL.164	CODO	ELBOW
SIL.165	CODO DESAGÜE	SUMP
SIL.166	JUNTA	GASKET
SIL.167	PLETINA	FRAME
SIL.168	TORNILLO 8x10	SCREW 8x10
SIL.169	JUNTA	GASKET
SIL.170	PLETINA	FRAME
SIL.171	JUNTA	GASKET
SIL.172	COLECTOR INFERIOR	LOWER HUB
SIL.173	TUBO NIVEL	OVERFLOW
SIL.174	FILTRO N-50	N-50 FILTER
SIL.175	FILTRO N-50	N-50 FILTER
V....5	TUBO GOMA 10X16 20 ATM	20ATM 10X17 RUBBER PIPE
V...62	ABRAZADERA 12-20	12-20 CLAMP
V...68	ABRAZADERA 32-50	35-50 CLAMP
V.206	TUBO DESAGÜE CON CODO	WITH ELBOW OUTLET PIPE
V.861	TUBO GOMA 12X22mm 20ATM	20ATM 12X22mm RUBBER PIPE

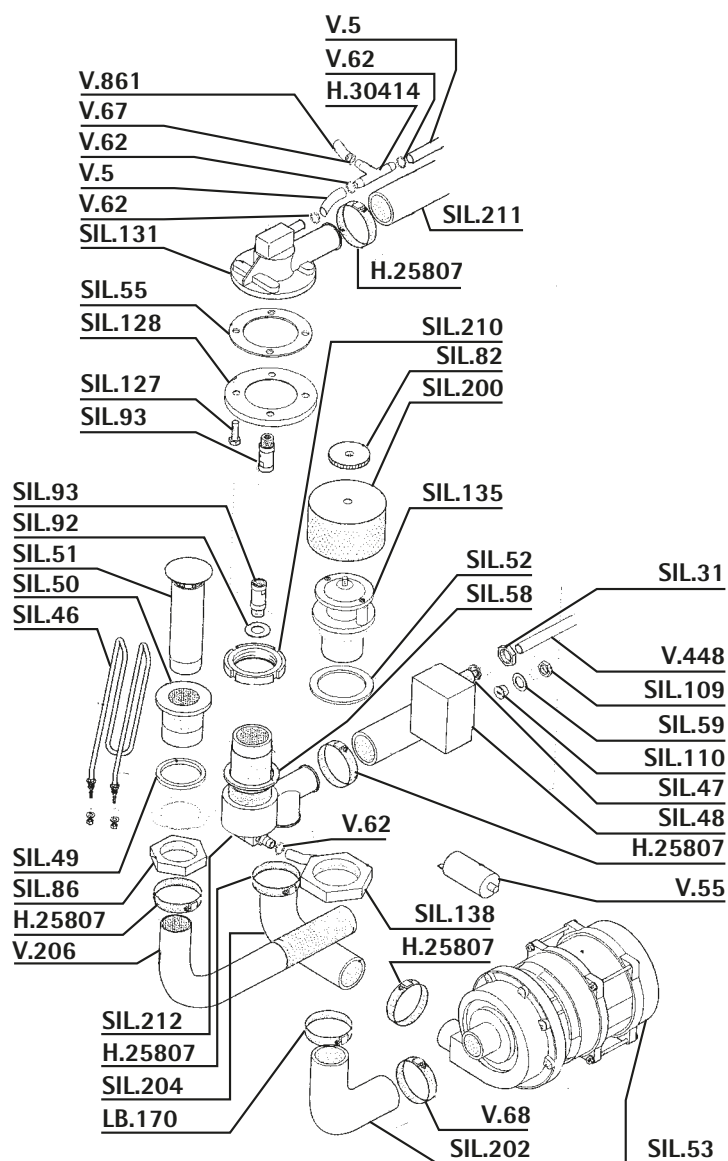


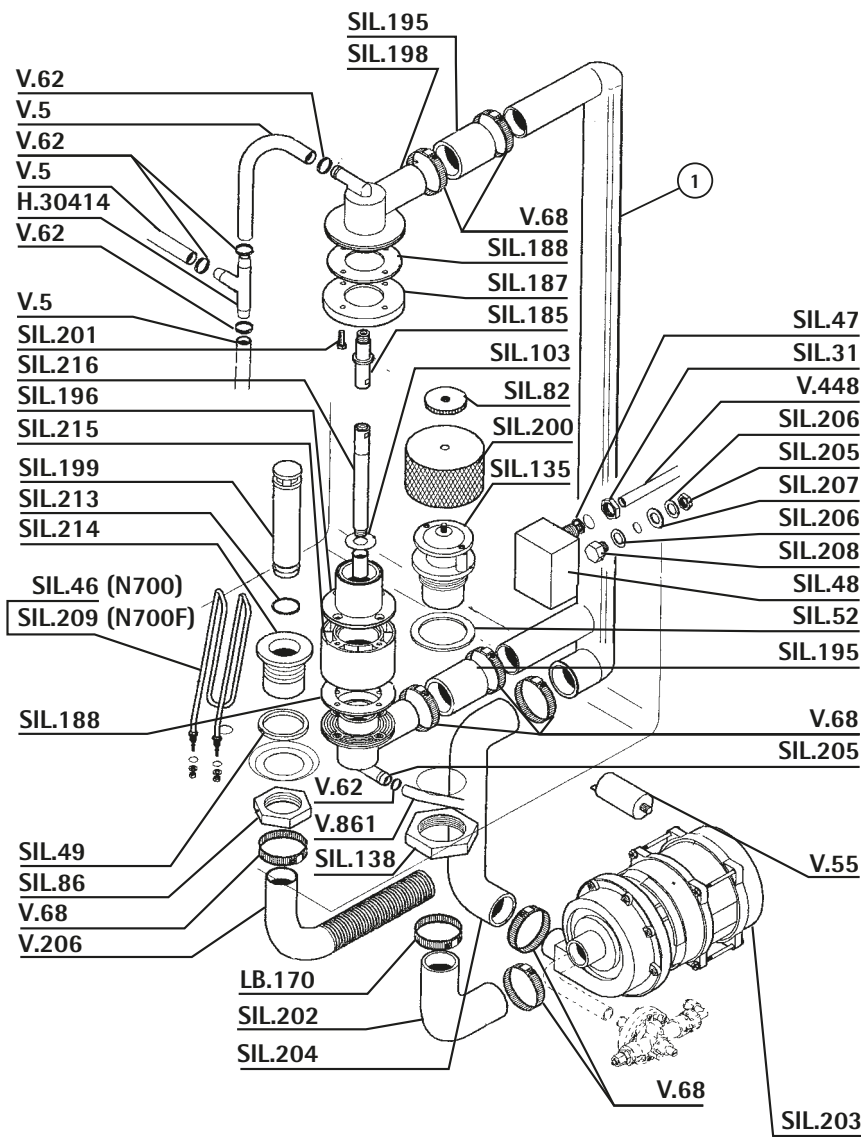
Ahorre tiempo y dinero.
Pida el recambio a ASCASO.

REF.	DESCRIPCIÓN	DESCRIPTION
H25807	ABRAZADERA 25-40	25-40 CLAMP
H30414	RACOR EMPALME	UNION FITTING
SIL161	RESISTENCIA 2000W	2000W RESISTANCE
SIL165	CODO DESAGÜE	SUMP
SIL166	JUNTA	GASKET
SIL167	PLETINA	FRAME
SIL173	TUBO NIVEL	OVERFLOW
SIL174	FILTRO N-50	N-50 FILTER
SIL175	FILTRO N-50	N-50 FILTER
SIL184	MOTOR 0,60 N-90	0,60 N-90 MOTOR
SIL185	PERNO	RINSE PIN
SIL186	TORNILLO 5x12	5x12 SCREW
SIL187	PLETINA	FRAME
SIL188	JUNTA	GASKET
SIL189	TUBO	PIPE
SIL190	JUNTA	GASKET
SIL191	EJE	ROD
SIL192	CODO ASPIRACION	INTAKE PIPE FITTING
SIL193	CODO DESAGÜE	OUTLET PIPE
SIL194	COLECTOR SUPERIOR	UPPER HUB
SIL195	MANGUITO	PIPE
SIL196	RACOR INFERIOR LAVADO	WASHING LOWER FITTING
SIL197	DISTANCIADOR	SPACER
SIL198	BUJE LAVADO	WASHING/RINSE HUB
V...68	ABRAZADERA 32-50	35-50 CLAMP
V..861	TUBO GOMA 12X22mm 20ATM	20ATM 12X22mm RUBBER PIPE



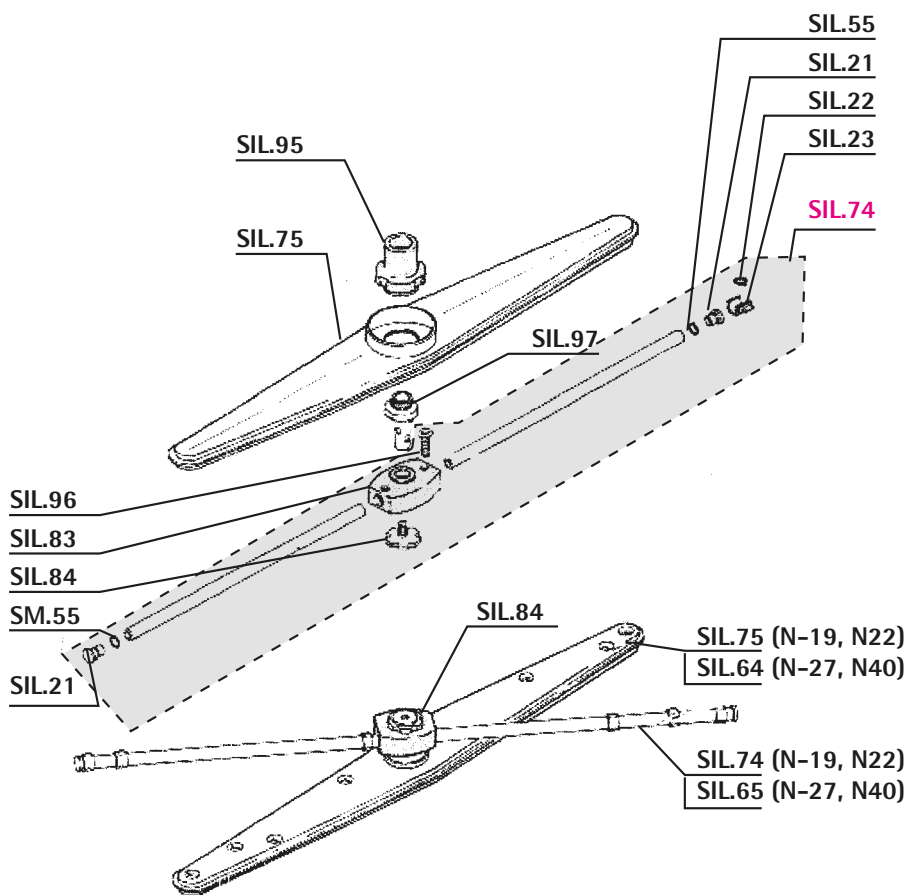
REF.	DESCRIPCIÓN	DESCRIPTION
H25807	ABRAZADERA 25-40	25-40 CLAMP
H30414	RACOR EMPALME	UNION FITTING
LB.170	ABRAZADERA 40-60	40-60 CLAMP
SIL.31	TUERCA	NUT
SIL.46	RESISTENCIA CUBA 3000 W	3000 W TANK RESISTANCE
SIL.47	JUNTA	GASLAT
SIL.48	CAMARA PRESOSTATICA	PRESSURE SWITCH CHAMBER
SIL.49	JUNTA	GASKET
SIL.50	PIPETA DESAGÜE	OUTLET FITING
SIL.51	SOBRENIVEL	OVERFLOW
SIL.52	JUNTA GOMA	RUBBER GASKET
SIL.53	MOTOR 0,75 HP MOD.600	0,75 HP MOD. 600 MOTOR
SIL.55	JUNTA GOMA	RUBBER GASKET
SIL.58	JUNTA GOMA	GASKET
SIL.59	JUNTA	GASKET
SIL.82	TUERCA FILTRO	FILTER NUT
SIL.86	TUERCA PLASTICO	PLASTIC NUT
SIL.92	ARANDELA	WASHER
SIL.93	PERNO	BOLT
SIL109	TUERCA	NUT
SIL110	TAPON	PLUG
SIL127	TORNILLO M6x10	SCREW M6x10
SIL128	ADAPTADOR	ADAPTOR
SIL131	COLECTOR SUPERIOR	UPPER HUB
SIL135	SOPORTE FILTRO	FILTER SUPPORT
SIL138	TUERCA	NUT
SIL200	FILTRO N-700	FILTER N-700
SIL202	CODO N-700	N-700 ELBOW
SIL204	MANGUITO	PIPE
SIL210	TUERCA 1" 1/2	NUT 1" 1/2
SIL211	MANGUITO	PIPE
SIL212	BUJE INFERIOR	LOWER HUB
V...5 T	UBO GOMA 10X16 20 ATM	20ATM 10X17 RUBBER PIPE
V...55	CONDENSADOR 10 MF 220V	220V 10MF.CONDENSER
V...62	ABRAZADERA 12-20	12-20 CLAMP
V...67	ABRAZADERA 16-27	16-27 CLAMP
V...68	ABRAZADERA 32-50	35-50 CLAMP
V..206	TUBO DESAGÜE CON CODO	WITH ELBOW OUTLET PIPE
V..448	TUBO PRESOSTATO-METRO 4X6	4X6 PRE.SWITCH INLET PIPE
V..861	TUBO GOMA 12X22mm 20ATM	20ATM 12X22mm RUBBER PIPE





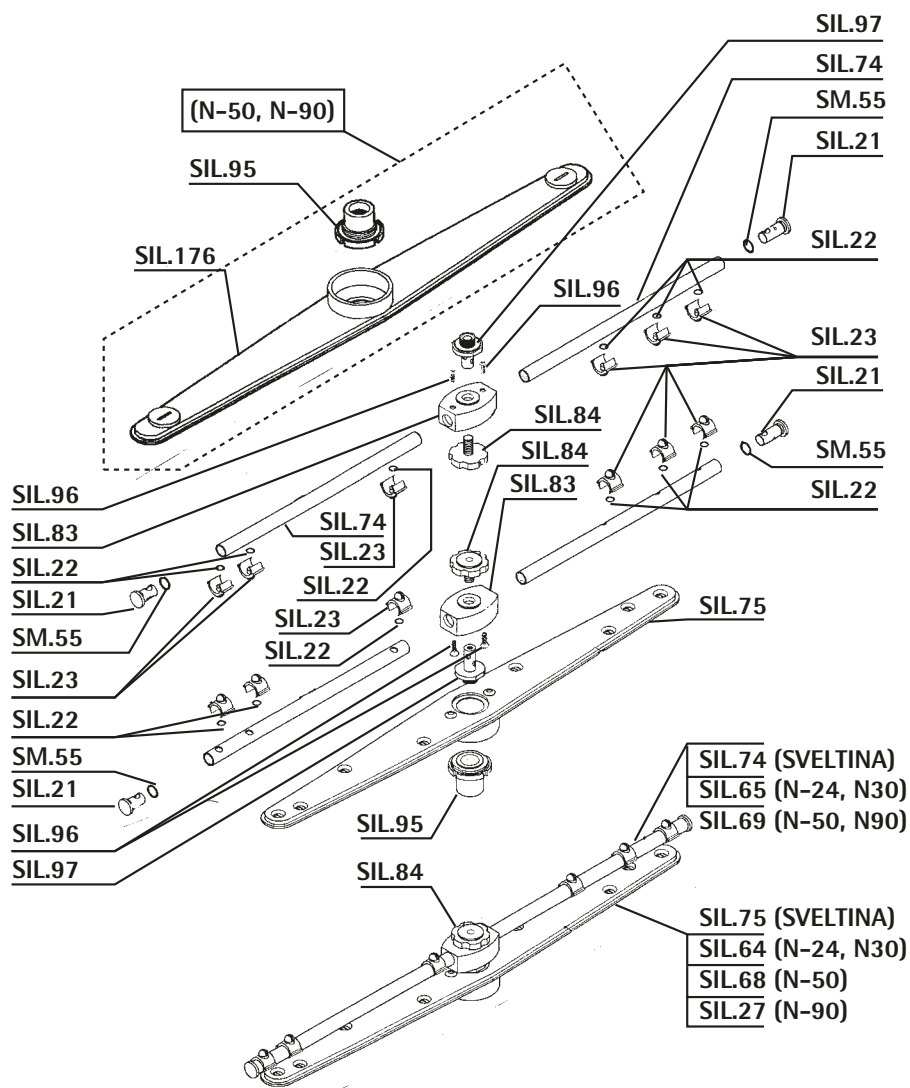
REF.	DESCRIPCIÓN	DESCRIPTION
H30414	RACOR EMPALME	UNION FITTING
LB.170	ABRAZADERA 40-60	40-60 CLAMP
SIL.31	TUERCA	NUT
SIL.46	RESISTENCIA CUBA 3000 W	3000 W TANK RESISTANCE
SIL.47	JUNTA	GASLAT
SIL.48	CAMARA PRESOSTATICA	PRESSURE SWITCH CHAMBER
SIL.49	JUNTA	GASKET
SIL.52	JUNTA GOMA	RUBBER GASKET
SIL.82	TUERCA FILTRO	FILTER NUT
SIL.86	TUERCA PLASTICO	PLASTIC NUT
SIL.103	RACOR	FITTING
SIL.135	SOPORTE FILTRO	FILTER SUPPORT
SIL.138	TUERCA	NUT
SIL.185	PERNO	RINSE PIN
SIL.187	PLETINA	FRAME
SIL.188	JUNTA	GASKET
SIL.195	MANGUITO	PIPE
SIL.196	RACOR INFERIOR LAVADO	WASHING LOWER FITTING
SIL.198	BUJE LAVADO	WASHING/RINSE HUB
SIL.199	SOBRENIVEL	OVER FLOW
SIL.200	FILTRO N-700	FILTER N-700
SIL.201	TORNILLO	SCREW
SIL.202	CODO N-700	N-700 ELBOW
SIL.203	MOTOR 0,75	0,75 MOTOR
SIL.204	MANGUITO	PIPE
SIL.205	TUERCA	NUT
SIL.206	ARANDELA	WASHER
SIL.207	JUNTA	GASKET
SIL.208	TORNILLO	SCREW
SIL.209	RESIS.2500W N700F	RESIS.2500W N700F
SIL.213	JUNTA REBOSADERO	OVERFLOW GASKET
SIL.214	RACOR DESAGÜE	OUTLET FITTING
SIL.215	DISTANCIADOR	SPACER
SIL.216	PERNO ENJUAGUE INFERIOR	INFERIOR RINSE PIN
V....5	TUBO GOMA 10X16 20 ATM	20ATM 10X17 RUBBER PIPE
V...55	CONDENSADOR 10 MF 220V	220V 10MF.CONDENSER
V...62	ABRAZADERA 12-20	12-20 CLAMP
V...68	ABRAZADERA 32-50	35-50 CLAMP
V.206	TUBO DESAGÜE CON CODO	WITH ELBOW OUTLET PIPE
V.448	TUBO PRESOSTATO-METRO 4X6	4X6 PRE.SWITCH INLET PIPE
V.861	TUBO GOMA 12X22mm 20ATM	20ATM 12X22mm RUBBER PIPE

Lavado / Aclarado N19, N22, N27, N40 ■ N19, N22, N27, N40 Wash / Rinse

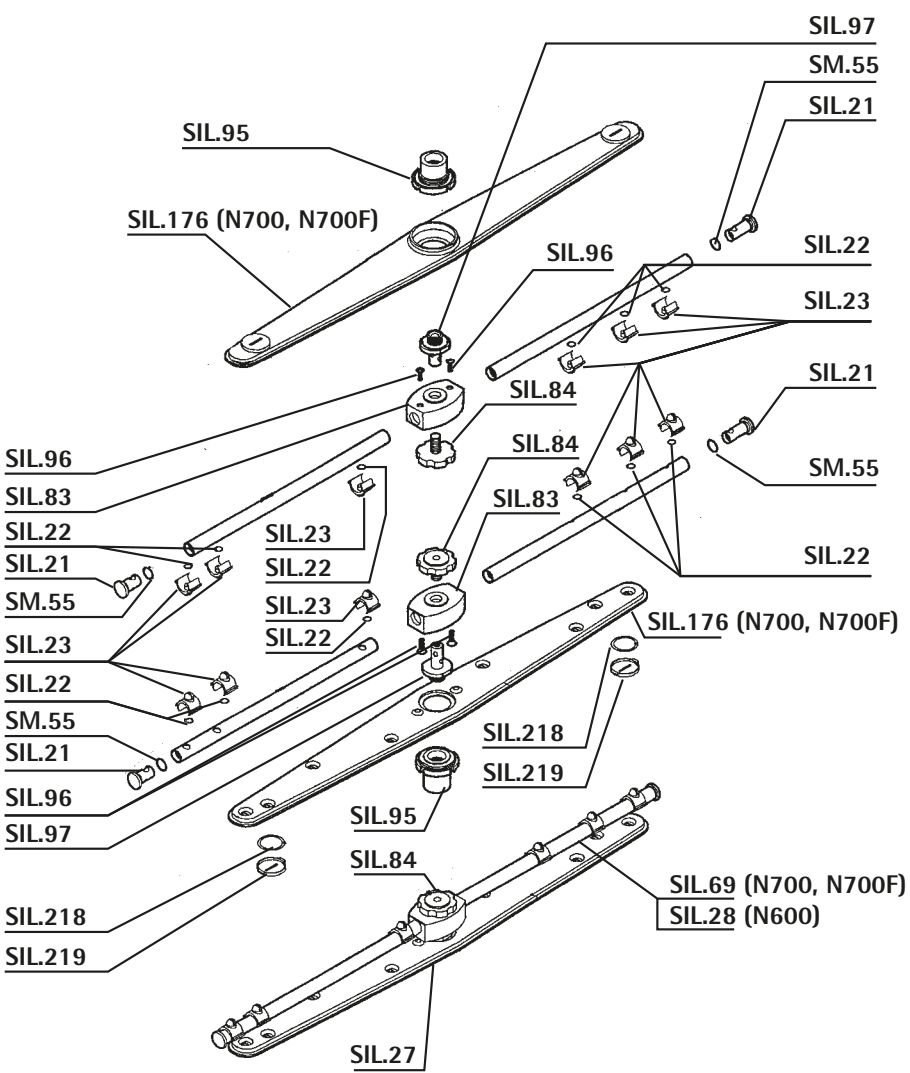


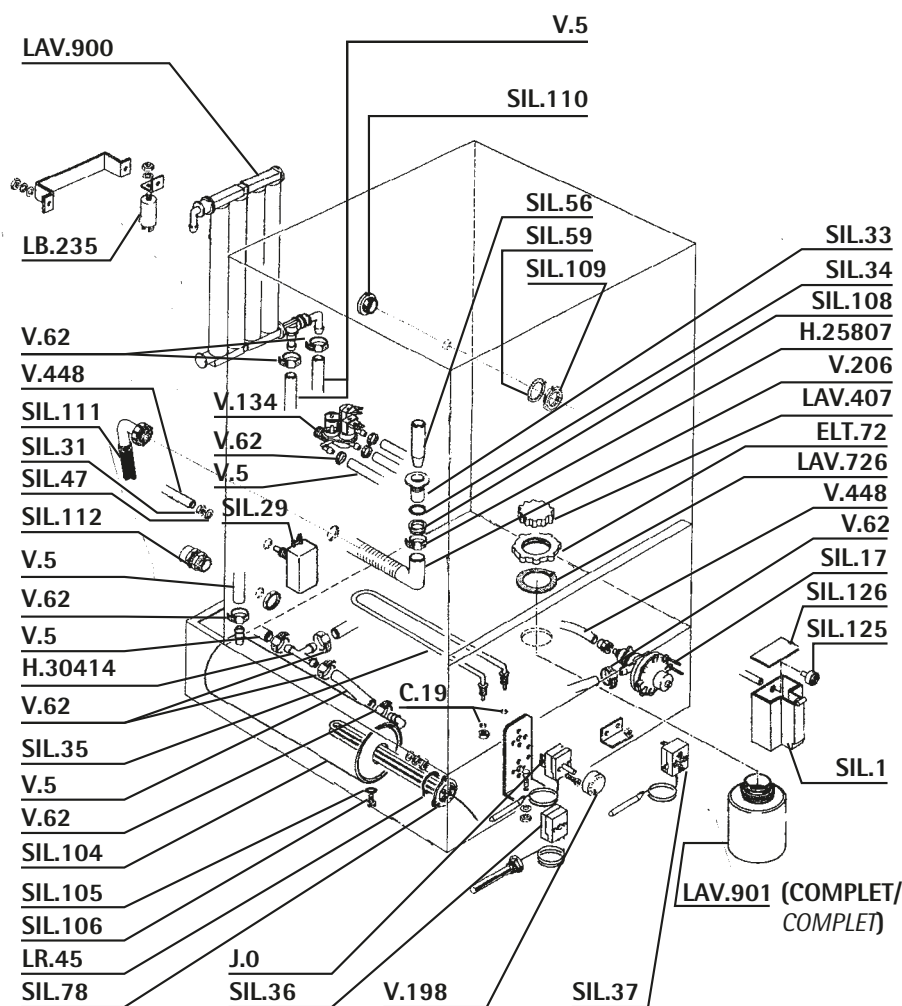
REF.	DESCRIPCIÓN	DESCRIPTION
SIL.21	TAPON PLASTICO	CAP
SIL.22	TORICA	RING
SIL.23	ROCIADOR ACLARADO PLASTICO	RINSE WASH
SIL.55	JUNTA GOMA	RUBBER GASKET
SIL.64	BRAZO LAVADO COMPLETO	COMPLET WASH ARM
SIL.65	BRAZO ACLARADO COMPLETO	COMPLET RINSE ARM
SIL.74	BRAZO ACLARADO COMPLETO	COMPLET RINSE ARM
SIL.75	BRAZO LAVADO COMPLETO	COMPLET WASH ARM
SIL.83	SOPORTE GIRATORIO	REVOLVING SUPPORT
SIL.84	TUERCA FIJACION	FIXING NUT
SIL.95	CASQUILLO	HUB+RING-NUT
SIL.96	TORNILLO M4x8	SCREW M4x8
SIL.97	SOPORTE GIRATORIO	RINSE PIN
SM..55	TORICA	RING

REF.	DESCRIPCIÓN	DESCRIPTION
SIL.21	TAPON PLASTICO	CAP
SIL.22	TORICA	RING
SIL.23	ROCIADOR ACLARADO PLASTICO	RINSE WASH
SIL.27	BRAZO LAVADO COMPLETO	COMPLET WASH ARM
SIL.64	BRAZO LAVADO COMPLETO	COMPLET WASH ARM
SIL.65	BRAZO ACLARADO COMPLETO	COMPLET RINSE ARM
SIL.68	BRAZO LAVADO COMPLETO	COMPLET WASH ARM
SIL.69	BRAZO ACLARADO COMPLETO	COMPLET RINSE ARM
SIL.74	BRAZO LAVADO COMPLETO	COMPLET WASH ARM
SIL.75	BRAZO LAVADO COMPLETO	COMPLET WASH ARM
SIL.83	SOPORTE GIRATORIO	REVOLVING SUPPORT
SIL.84	TUERCA FIJACION	FIXING NUT
SIL.95	CASQUILLO	HUB+RING-NUT
SIL.96	TORNILLO M4x8	SCREW M4x8
SIL.97	SOPORTE GIRATORIO	RINSE PIN
SIL.176	GIRATORIO LAVADO N-50	N-50 WASH ARM
SM..55	TORICA	RING

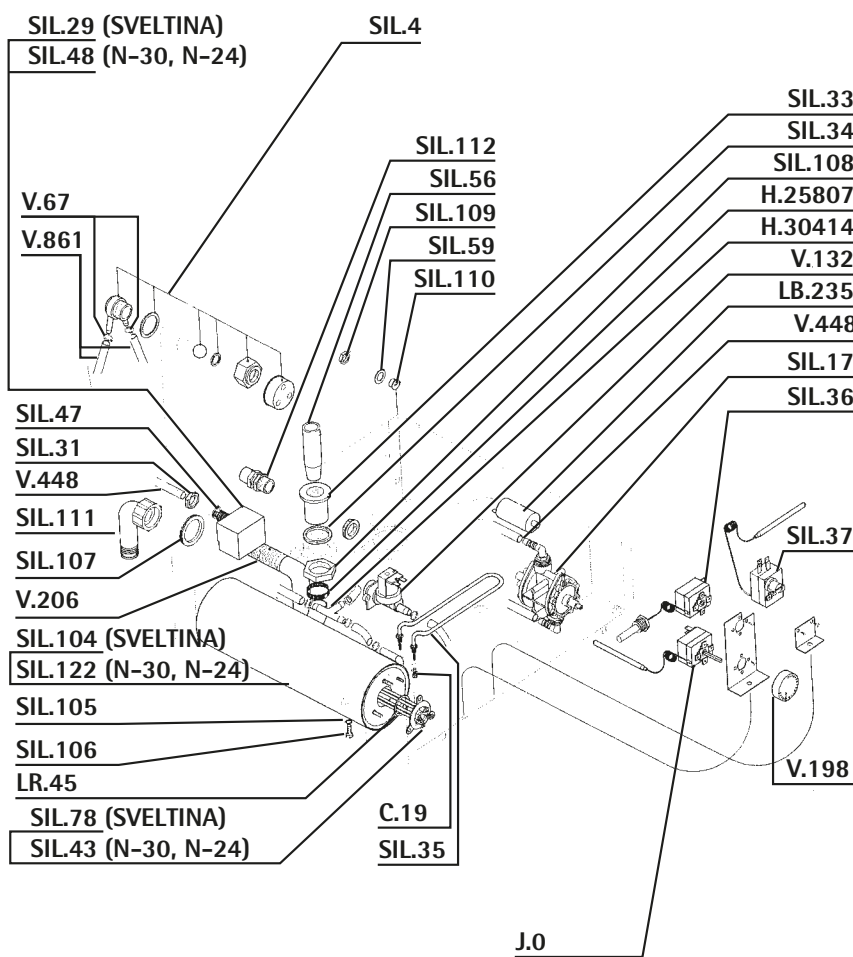


REF.	DESCRIPCIÓN	DESCRIPTION
SIL.21	TAPON PLASTICO	CAP
SIL.22	TORICA	RING
SIL.23	ROCIADOR ACLARADO PLASTICO	RINSE WASH
SIL.27	BRAZO LAVADO COMPLETO	COMPLET WASH ARM
SIL.28	BRAZO ACLARADO COMPLETO	COMPLET RINSE ARM
SIL.69	BRAZO ACLARADO COMPLETO	COMPLET RINSE ARM
SIL.83	SOPORTE GIRATORIO	REVOLVING SUPPORT
SIL.84	TUERCA FIJACION	FIXING NUT
SIL.95	CASQUILLO	HUB+RING-NUT
SIL.96	TORNILLO M4x8	SCREW M4x8
SIL.97	SOPORTE GIRATORIO	RINSE PIN
SIL.176	GIRATORIO LAVADO N-50	N-50 WASH ARM
SIL.218	JUNTA	GASKET
SIL.219	PROGRAMADOR CICLO 180°	CYCLE TIMER 180°
SM..55	TORICA	RING



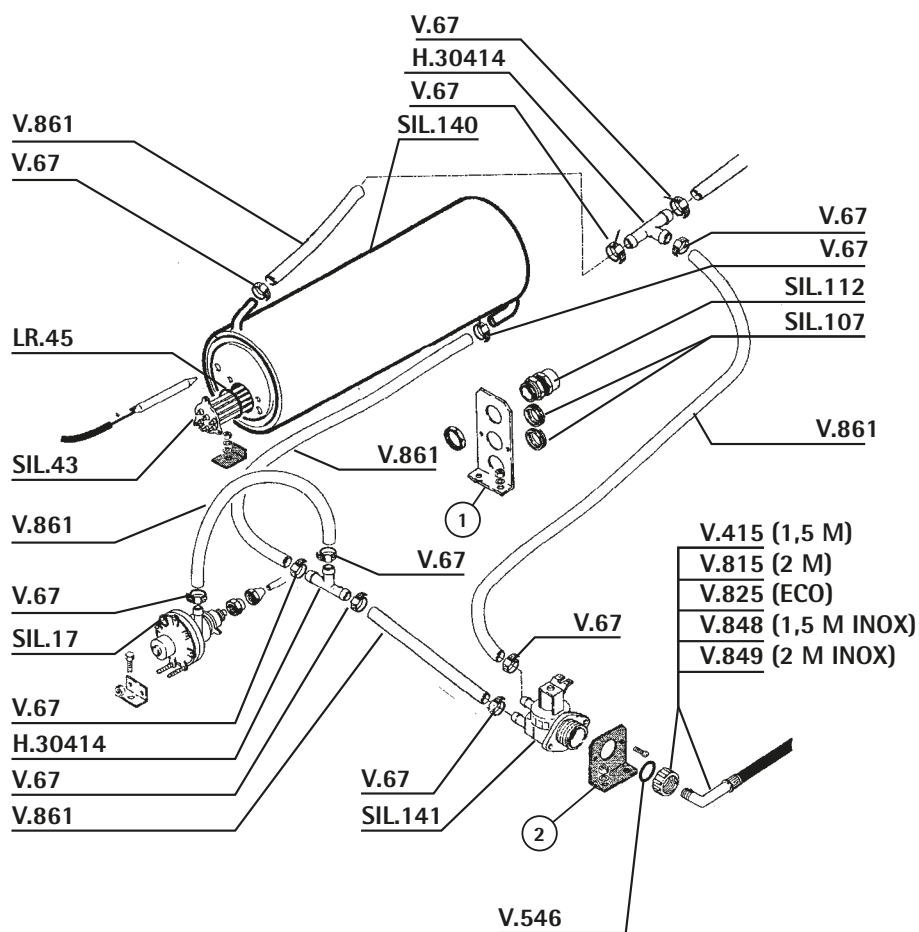


REF.	DESCRIPCIÓN	DESCRIPTION
C...19	JUNTA ALIMENTARIA	ALIMENTARY GASKET
ELT.72	RACOR DEPOSITO SAL	FITTING SALT CONTAINER
H25807	ABRAZADERA 25-40	25-40 CLAMP
H30414	RACOR EMPALME	UNION FITTING
J...0	TERMOSTATO 0-90°	0-90° THERMOSTAT
LAV407	TAPON DEPOSITO SAL	SALT TANK CAP
LAV726	JUNTA GOMA BOTELLA SAL	BOTTLE SALT RUBBER GASKET
LAV900	DEPURADOR LAVATAZAS	WASHING CUP PURIFIER
LAV901	DEPOSITO SAL COMPLETO	SALT CONTAINER
LB.235	CONDENSADOR 6,3 MF	6,3 MF CONDENSER
LR..45	TORICA GOMA	RUBBER RING
SIL..1	RECIPIENTE BRILLANTE	RINSE-AID CONTAINER
SIL.17	DOSIFICADOR ABRILLANTADOR	RIMSE-AID DOSIMETER
SIL.29	CAMARA PRESOSTATICA	PRESSURE SWITCH CHAMBER
SIL.31	TUERCA	NUT
SIL.33	RACOR DESCARGA	OUTLET FITTING
SIL.34	JUNTA	GASKET
SIL.35	RESISTENCIA CUBA 1600 W 230V	1600 W 230V TANK RESISTANCE
SIL.36	TERMOSTATO CUBA	TANK THERMOSTAT
SIL.37	TERMOSTATO SEGURIDAD	SAFETY THERMOSTAT
SIL.47	JUNTA	GASKET
SIL.56	SOBRENIVEL	OVERFLOW
SIL.59	JUNTA	GASKET
SIL.78	RESIST.CALDERIN 2700W 230V	2700 W 230V BOILER RESISTANCE
SIL104	CALDERON SVELTINA	SVELTINA BOILER
SIL105	JUNTA	GASKET
SIL106	TORNILLO	SCREW
SIL108	TUERCA	NUT
SIL109	TUERCA	NUT
SIL110	TAPON	PLUG
SIL111	CODO	ELBOW
SIL112	PASACABLE	FIXING CABLE
SIL125	FILTRO	FILTER
SIL126	TAPA DEPOSITO ABRILLANTADOR	TANK COVER
V...5	TUBO GOMA 10X16 20 ATM	20ATM 10X17 RUBBER PIPE
V...62	ABRAZADERA 12-20	12-20 CLAMP
V.134	ELECTROVAL.3VIA LAV.220V	WASH 3 WAYS 220V SOLENOID
V.198	MANDO TERMOSTATO 90°	90° THERMOSTAT HANDLE
V.206	TUBO DESAGÜE CON CODO	WITH ELBOW OUTLET PIPE
V.448	TUBO PRESOSTATO-METRO 4X6	4X6 PRE.SWITCH INLET PIPE

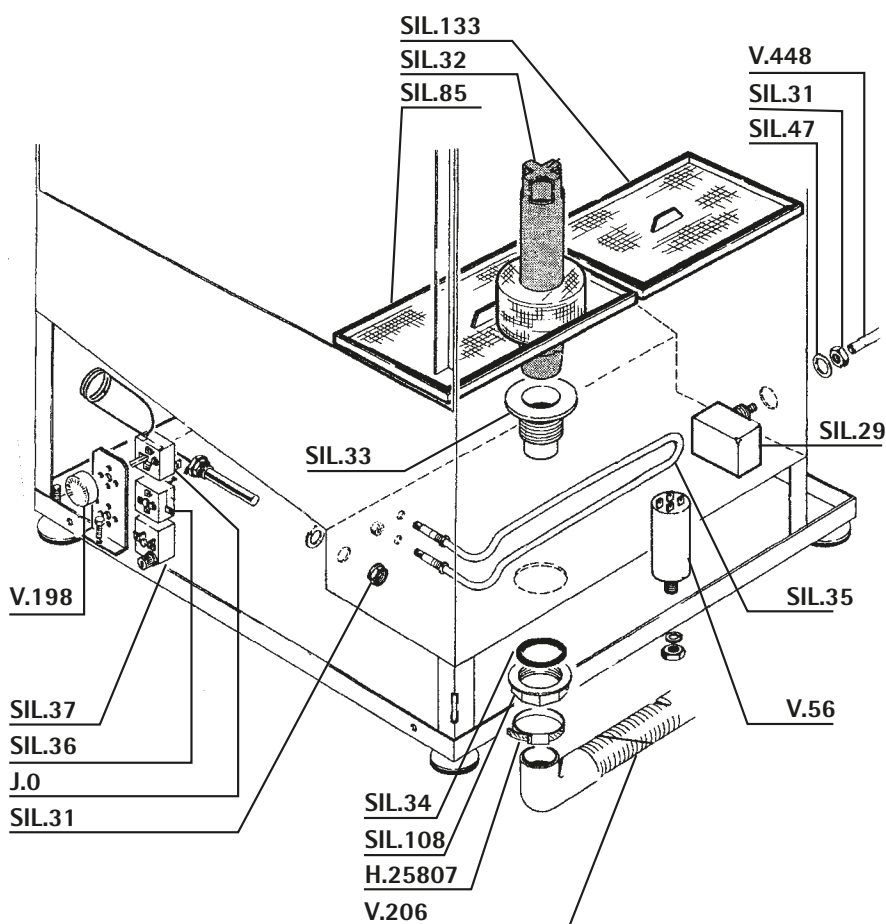


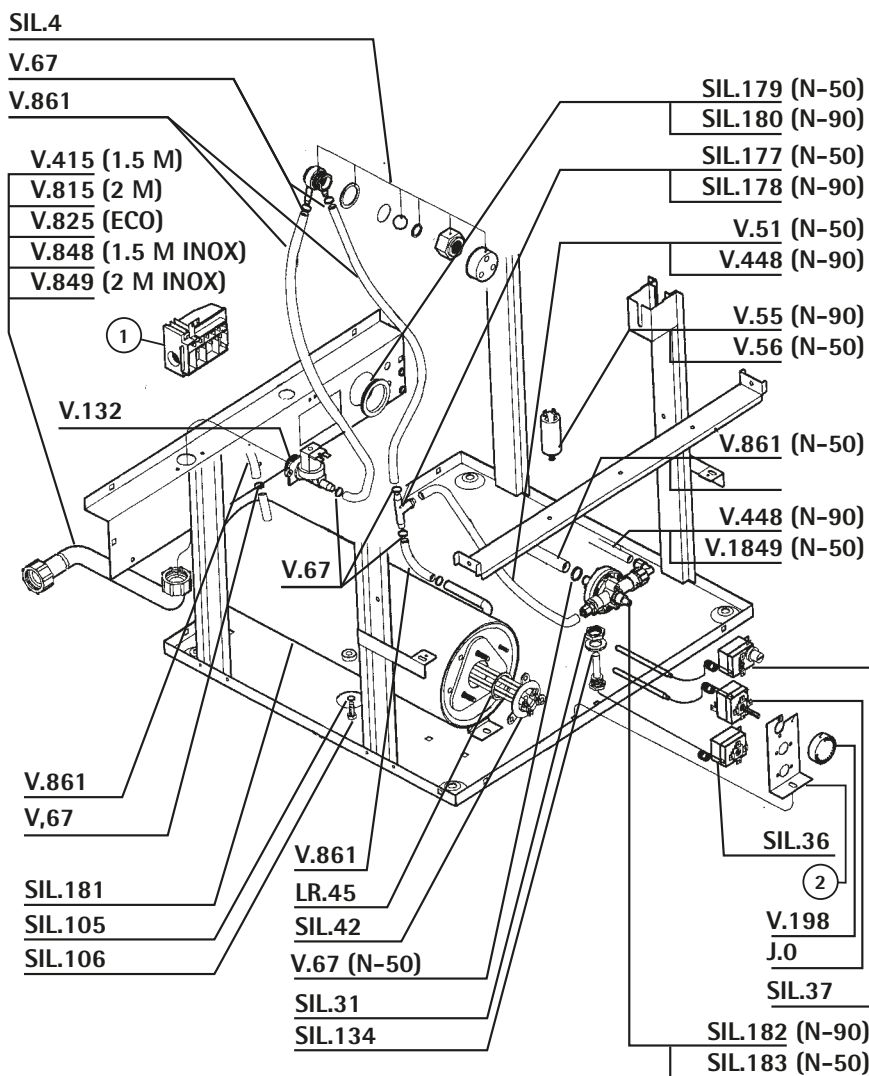
REF.	DESCRIPCIÓN	DESCRIPTION
C...19	JUNTA ALIMENTARIA	ALIMENTARY GASKET
H25807	ABRAZADERA 25-40	25-40 CLAMP
H30414	RACOR EMPALME	UNION FITTING
J...0	TERMOSTATO 0-90°	0-90° THERMOSTAT
LB.235	CONDENSADOR 6,3 MF	6,3 MF CONDENSER
LR..45	TORICA GOMA	RUBBER RING
SIL..4	VALVULA ANTIRETORNO	NON-RETURN VALVE
SIL.17	DOSIFICADOR ABRILLANTADOR	RIMSE-AID DOSIMETER
SIL.29	CAMARA PRESOSTATICA	PRESSURE SWITCH CHAMBER
SIL.31	TUERCA	NUT
SIL.33	RACOR DESCARGA	OUTLET FITTING
SIL.34	JUNTA	GASKET
SIL.35	RESISTENCIA CUBA 1600 W 230V	1600 W 230V TANK RESISTANCE
SIL.36	TERMOSTATO CUBA	TANK THERMOSTAT
SIL.37	TERMOSTATO SEGURIDAD	SAFETY THERMOSTAT
SIL.43	RESIST. CALDERIN 3000 W 230V	3000 W BOILER RESISTANCE
SIL.47	JUNTA	GASKET
SIL.48	CAMARA PRESOSTATICA	PRESSURE SWITCH CHAMBER
SIL.56	SOBRENIVEL	OVERFLOW
SIL.59	JUNTA	GASKET
SIL.78	RESIST.CALDERIN 2700W 230V	2700 W 230V BOILER RESISTANCE
SIL104	CALDERON SVELTINA	SVELTINA BOILER
SIL105	JUNTA	GASKET
SIL106	TORNILLO	SCREW
SIL107	AISLADOR	FAIRLEAD
SIL108	TUERCA	NUT
SIL109	TUERCA	NUT
SIL110	TAPON	PLUG
SIL111	CODO	ELBOW
SIL112	PASACABLE	FIXING CABLE
SIL122	CALDERON N-24	N-24 BOILER
V...67	ABRAZADERA 16-27	16-27 CLAMP
V.132	ELECTROVAL.1 VIA LAV.220V	WASH 1 WAY 220V SOLENOID
V.198	MANDO TERMOSTATO 90°	90° THERMOSTAT HANDLE
V.206	TUBO DESAGÜE CON CODO	WITH ELBOW OUTLET PIPE
V.448	TUBO PRESOSTATO-METRO 4X6	4X6 PRE.SWITCH INLET PIPE
V.861	TUBO GOMA 12X22mm 20ATM	20ATM 12X22mm RUBBER PIPE

REF.	DESCRIPCIÓN	DESCRIPTION
H30414	RACOR EMPALME	UNION FITTING
LR..45	TORICA GOMA	RUBBER RING
SIL.17	DOSIFICADOR ABRILLANTADOR	RIMSE-AID DOSIMETER
SIL.43	RESIST. CALDERIN 3000 W 230V	3000 W BOILER RESISTANCE
SIL107	AISLADOR	FAIRLEAD
SIL112	PASACABLE	FIXING CABLE
SIL140	CALDERON N-40	N-40 BOILER
SIL141	ELECTROVALVULA 2 VIAS	2 WAYS ELECTROVALVE
V...67	ABRAZADERA 16-27	16-27 CLAMP
V.415	TOMA LAVADORA 1,5M	QUALITY 1.5M.INLET W.FLEX
V..546	JUNTA GOMA 3/4	WATER INLET RUBBER GASKET
V.815	TOMA LAVADORA 2 METROS	2 MT.INLET WATER FLEXIBLE
V..825	TOMA LAVADORA 1.5 "ECO"	"ECO"1.5M INLET WA.FLEXIB
V..848	TOMA LAVADORA 1.5M INOX	INOX 1.5M INLET WATER FL.
V..849	TOMA LAV.INOX 2MT.3/4X3/4	INOX 2MT.INLET WATER FLE.
V..861	TUBO GOMA 12X22mm 20ATM	20ATM 12X22mm RUBBER PIPE

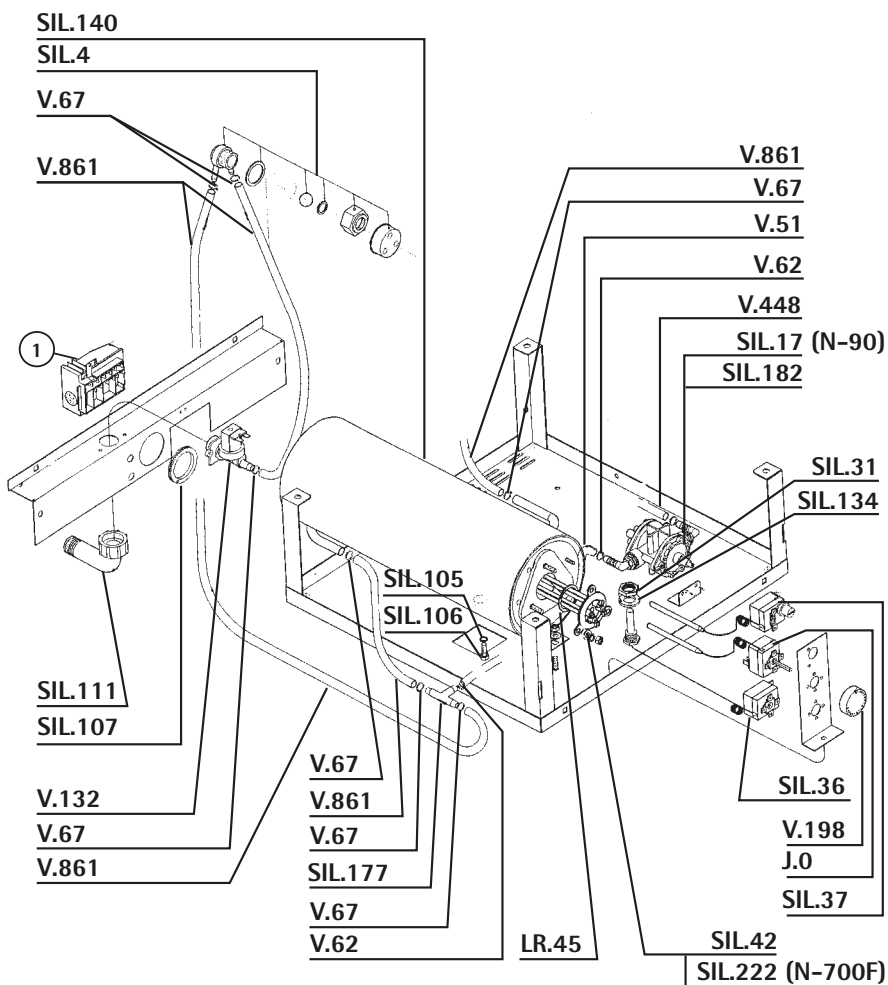


REF.	DESCRIPCIÓN	DESCRIPTION
H25807	ABRAZADERA 25-40	25-40 CLAMP
J....0	TERMOSTATO 0-90°	0-90° THERMOSTAT
SIL.29	CAMARA PRESOSTATICA	PRESSURE SWITCH CHAMBER
SIL.31	TUERCA	NUT
SIL.32	SOBRENIVEL	SOBRENIVEL
SIL.33	RACOR DESCARGA	OUTLET FITTING
SIL.34	JUNTA	GASKET
SIL.35	RESISTENCIA CUBA 1600 W 230V	1600 W 230V TANK RESISTANCE
SIL.36	TERMOSTATO CUBA	TANK THERMOSTAT
SIL.37	TERMOSTATO SEGURIDAD	SAFETY THERMOSTAT
SIL.47	JUNTA	GASKET
SIL.85	FILTRO REBOSADERO ACERO	OVERFLOW FILTER
SIL108	TUERCA	NUT
SIL133	FILTRO N-40	FILTER N-40
V...56	CONDENSADOR 12,5 MF 220V	12,5MF 220V CONDENSER
V..198	MANDO TERMOSTATO 90°	90° THERMOSTAT HANDLE
V..206	TUBO DESAGÜE CON CODO	WITH ELBOW OUTLET PIPE
V..448	TUBO PRESOSTATO-METRO 4X6	4X6 PRE.SWITCH INLET PIPE





REF.	DESCRIPCIÓN	DESCRIPTION
J....0	TERMOSTATO 0-90°	0-90° THERMOSTAT
LR..45	TORICA GOMA	RUBBER RING
SIL..4	VALVULA ANTIRETORNO	NON-RETURN VALVE
SIL.31	TUERCA	NUT
SIL.36	TERMOSTATO CUBA	TANK THERMOSTAT
SIL.37	TERMOSTATO SEGURIDAD	SAFETY THERMOSTAT
SIL.42	RESISTENCIA CALDERIN 4500 W	4500 W BOILER RESISTANCE
SIL105	JUNTA	GASKET
SIL106	TORNILLO	SCREW
SIL134	JUNTA	GASKET
SIL177	T EMPALME N-50	N-50 PIPE FITTING
SIL178	T EMPALME N-90	N-90 PIPE FITTING
SIL179	PASAMURO N-50	N-50 FAIRLEAD
SIL180	PASAMURO N-90	N-90 FAIRLEAD
SIL181	CALDERON N-50, N-90	N-50, N-90 BOILER
SIL182	DOSIFICADOR ABRILLANTADOR N-90	N-90 RINSE AID DISPENSER
SIL183	DOSIFICADOR ABRILLANTADOR N-50	N-50 RINSE AID DISPENSER
V...51	TUBO GOMA 20 ATM.8x17	8x17 20 ATM.PIPE
V...55	CONDENSADOR 10 MF 220V	220V 10MF.CONDENSER
V...56	CONDENSADOR 12,5 MF 220V	12,5MF 220V CONDENSER
V...67	ABRAZADERA 16-27	16-27 CLAMP
V..132	ELECTROVAL.1 VIA LAV.220V	WASH 1 WAY 220V SOLENOID
V..198	MANDO TERMOSTATO 90°	90° THERMOSTAT HANDLE
V..415	TOMA LAVADORA 1,5M	QUALITY 1.5M.INLET W.FLEX
V..448	TUBO PRESOSTATO-METRO 4X6	4X6 PRE.SWITCH INLET PIPE
V..815	TOMA LAVADORA 2 METROS	2 MT.INLET WATER FLEXIBLE
V..825	TOMA LAVADORA 1.5 "ECO"	"ECO"1.5M INLET WA.FLEXIB
V..848	TOMA LAVADORA 1.5M INOX	INOX 1.5M INLET WATER FL.
V..849	TOMA LAV.INOX 2MT.3/4X3/4	INOX 2MT.INLET WATER FLE.
V..861	TUBO GOMA 12X22mm 20ATM	20ATM 12X22mm RUBBER PIPE
V.1849	TUBO P.V.C 12x16mm	12x16mm P.V.C PIPE

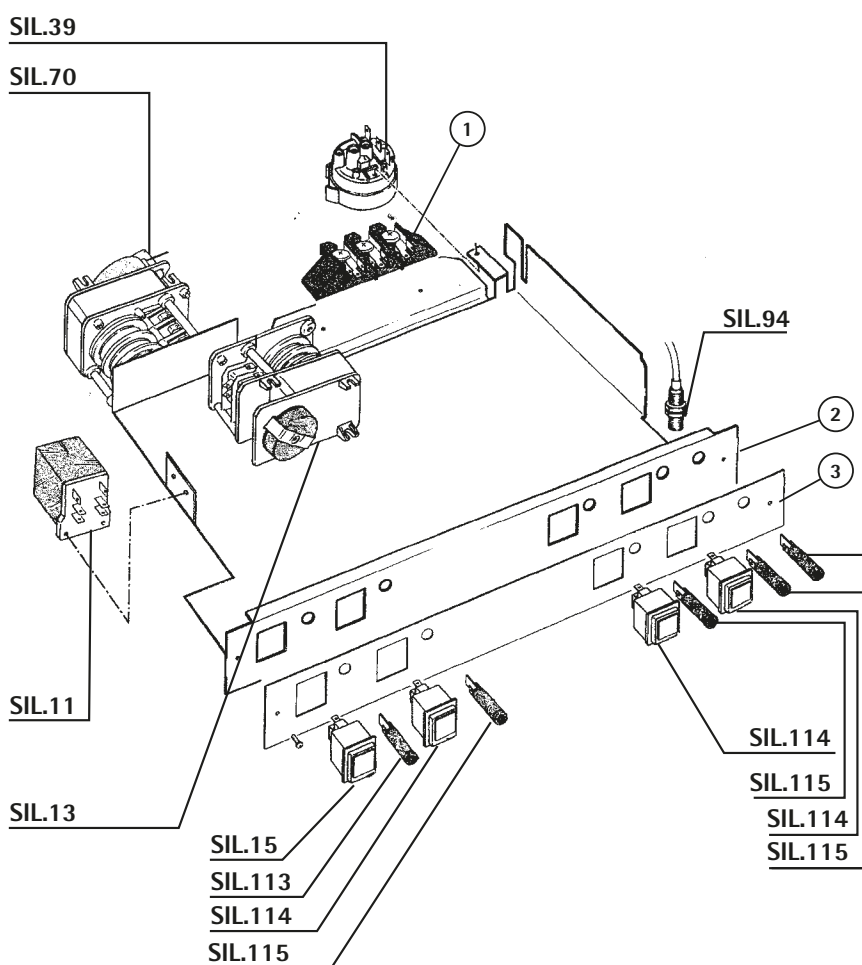


REF.	DESCRIPCIÓN	DESCRIPTION
J....0	TERMOSTATO 0-90°	0-90° THERMOSTAT
LR..45	TORICA GOMA	RUBBER RING
SIL..4	VALVULA ANTIRETORNO	NON-RETURN VALVE
SIL.17	DOSIFICADOR ABRILLANTADOR	RINSE-AID DOSIMETER
SIL.31	TUERCA	NUT
SIL.36	TERMOSTATO CUBA	TANK THERMOSTAT
SIL.37	TERMOSTATO SEGURIDAD	SAFETY THERMOSTAT
SIL.42	RESISTENCIA CALDERIN 4500 W	4500 W BOILER RESISTANCE
SIL105	JUNTA	GASKET
SIL106	TORNILLO	SCREW
SIL107	AISLADOR	FAIRLEAD
SIL111	CODO	ELBOW
SIL134	JUNTA	GASKET
SIL140	CALDERON N-40	N-40 BOILER
SIL177	T EMPALME N-50	N-50 PIPE FITTING
SIL182	DOSIFICADOR ABRILLANTADOR N-90	N-90 RINSE AID DISPENSER
SIL222	RESIS.3500W N700F	RESIS.3500W N700F
V...51	TUBO GOMA 20 ATM.8x17	8x17 20 ATM.PIPE
V...62	ABRAZADERA 12-20	12-20 CLAMP
V...67	ABRAZADERA 16-27	16-27 CLAMP
V..132	ELECTROVAL.1 VIA LAV.220V	WASH 1 WAY 220V SOLENOID
V..198	MANDO TERMOSTATO 90°	90° THERMOSTAT HANDLE
V..448	TUBO PRESOSTATO-METRO 4X6	4X6 PRE.SWITCH INLET PIPE
V..861	TUBO GOMA 12X22mm 20ATM	20ATM 12X22mm RUBBER PIPE

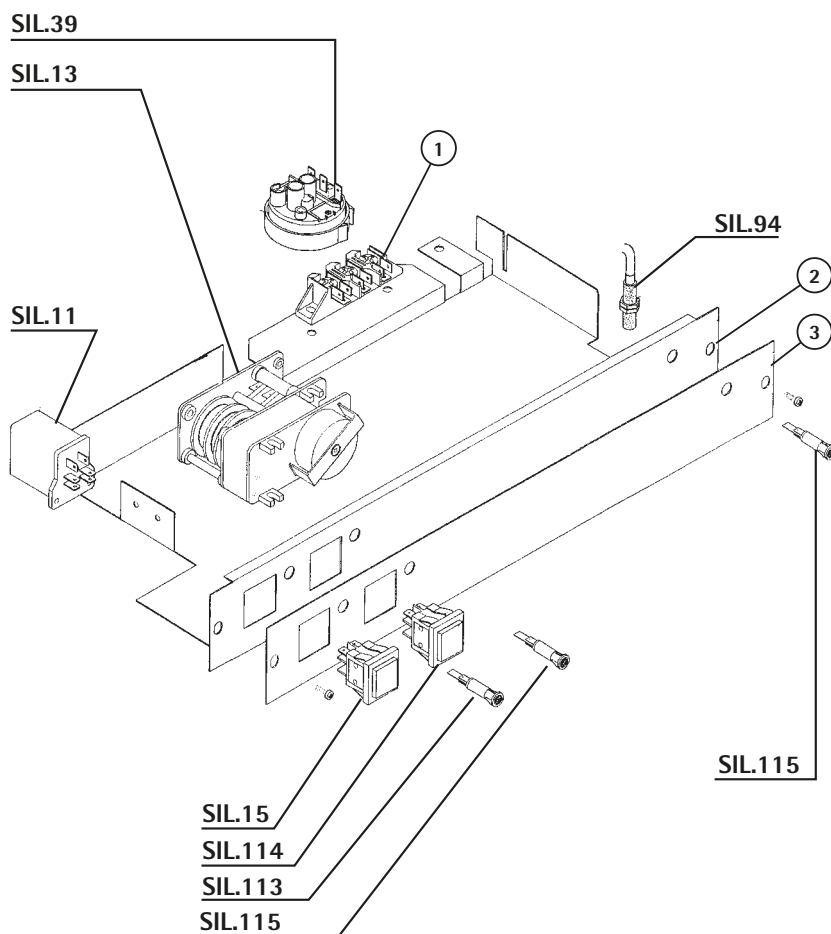


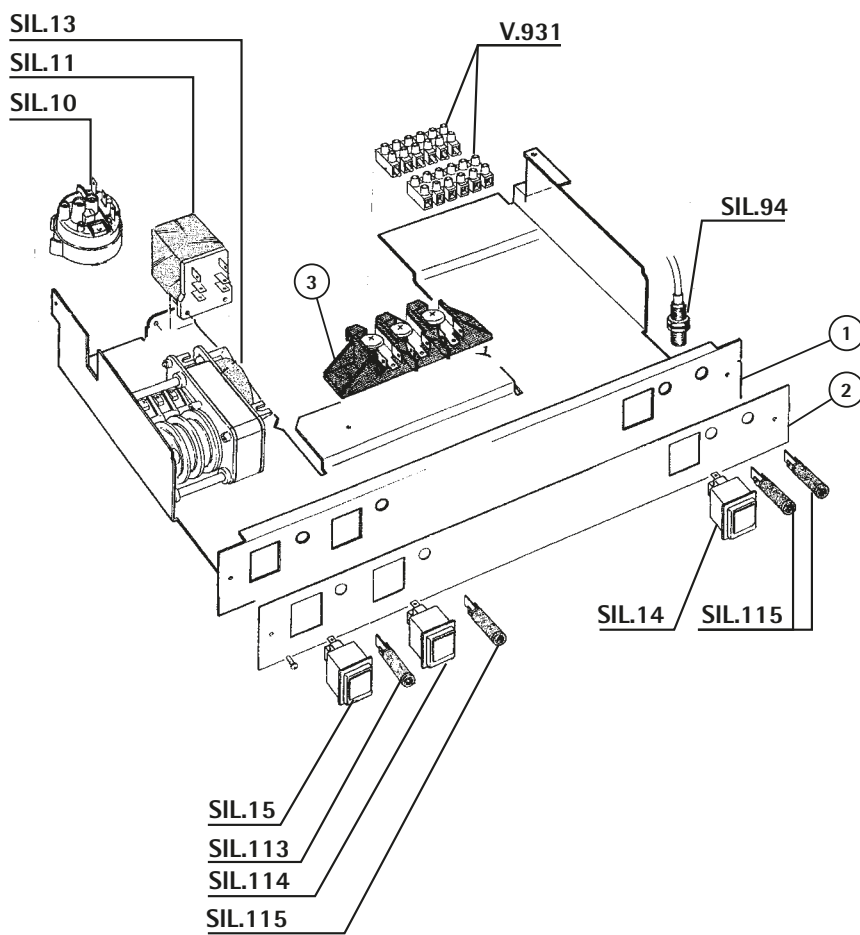
Save time and money..
Order **ascaso** your spare parts.

REF.	DESCRIPCIÓN	DESCRIPTION
SIL.11	RELE 16A 230V	16A 230V RELAY
SIL.13	PROGRAMADOR	TIMER
SIL.15	INTERRUPTOR	SWITCH
SIL.39	PRESOSTATO SAL/HORIZ. 40/20	40/20 PRESSURE SWITCH
SIL.70	PROGRAMADOR	TIMER
SIL.94	MICRO MAGNETICO PUERTA	MAGNETIC DOOR MICROSWITCH
SIL113	PILOTO LINEA	LINE LAMP
SIL114	PULSADOR CICLO	CYCLE PUSH BUTTON
SIL115	PILOTO CICLO	CYCLE LAMP



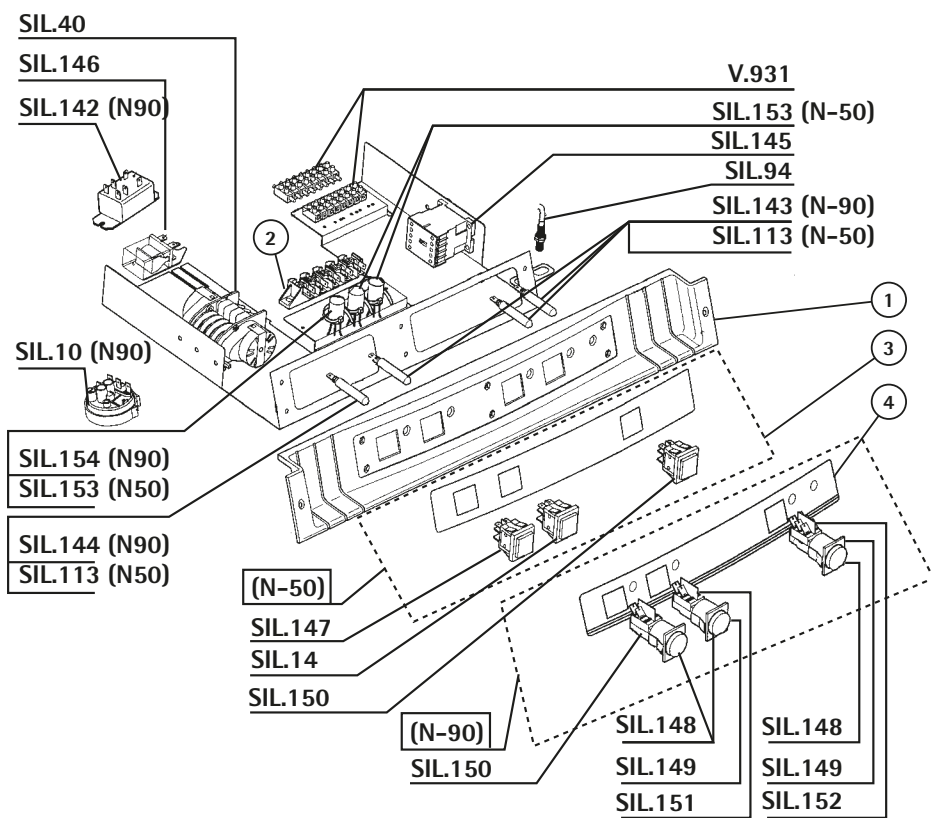
REF.	DESCRIPCIÓN	DESCRIPTION
SIL.11	RELE 16A 230V	16A 230V RELAY
SIL.13	PROGRAMADOR	TIMER
SIL.15	INTERRUPTOR	SWITCH
SIL.39	PRESOSTATO SAL/HORIZ. 40/20	40/20 PRESSURE SWITCH
SIL.94	MICRO MAGNETICO PUERTA	MAGNETIC DOOR MICROSWITCH
SIL113	PILOTO LINEA	LINE LAMP
SIL114	PULSADOR CICLO	CYCLE PUSH BUTTON
SIL115	PILOTO CICLO	CYCLE LAMP





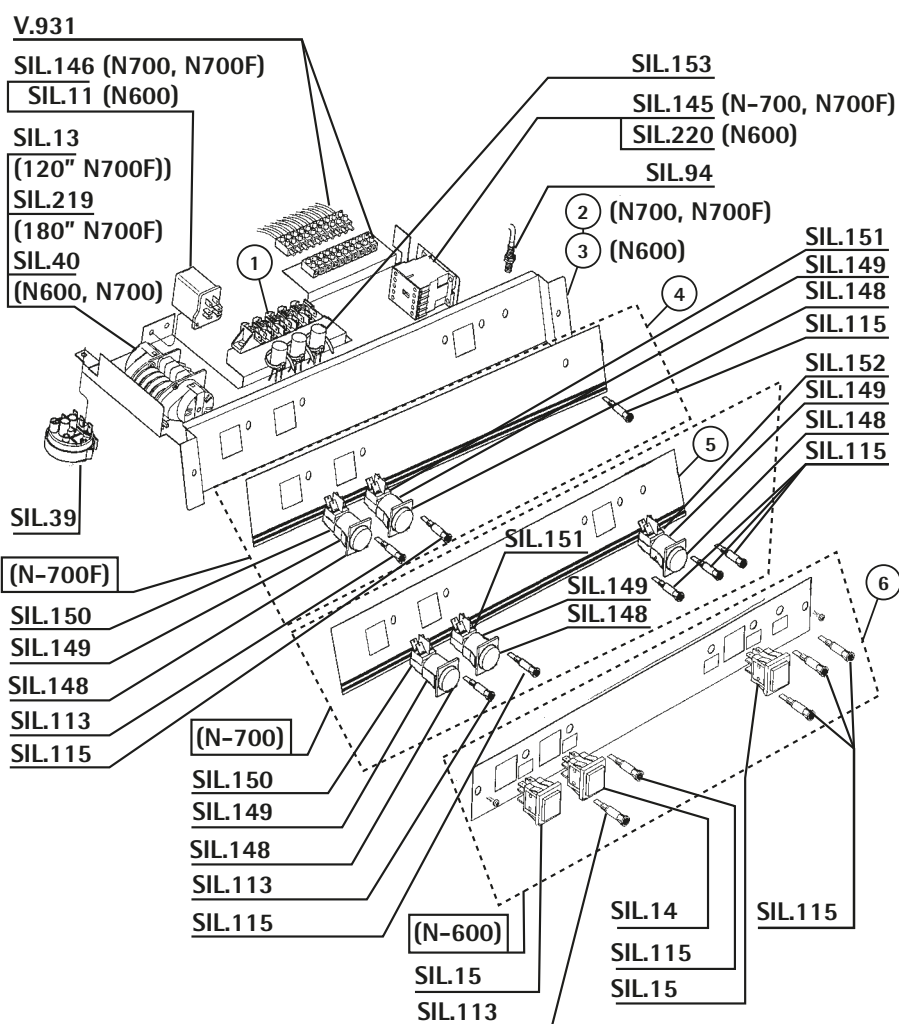
REF.	DESCRIPCIÓN	DESCRIPTION
SIL.10	PRESOSTATO 90/35	90/35 PRESSURE SWITCH
SIL.11	RELE 16A 230V	16A 230V RELAY
SIL.13	PROGRAMADOR	TIMER
SIL.14	PULSADOR	PUSH-BUTTON
SIL.15	INTERRUPTOR	SWITCH
SIL.94	MICRO MAGNETICO PUERTA	MAGNETIC DOOR MICROSWITCH
SIL.113	PILOTO LINEA	LINE LAMP
SIL.114	PULSADOR CICLO	CYCLE PUSH BUTTON
SIL.115	PILOTO CICLO	CYCLE LAMP
V.931	REGLETA 9 POLOS D.4,5MM	D.4,5mm 9 POLES CONNECT

Panel mandos N50, N90 ■ N50, N90 Control panel

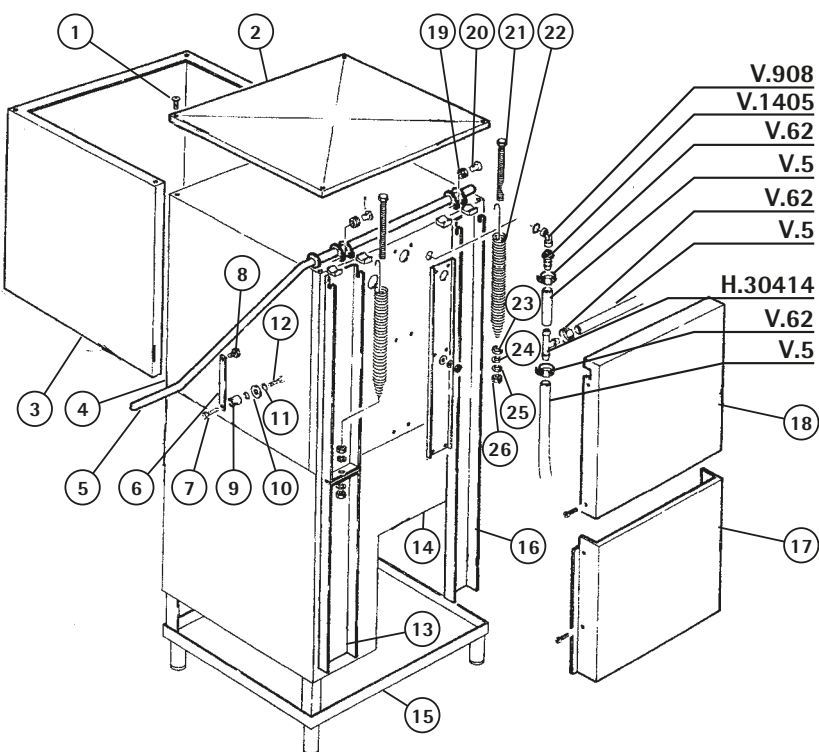


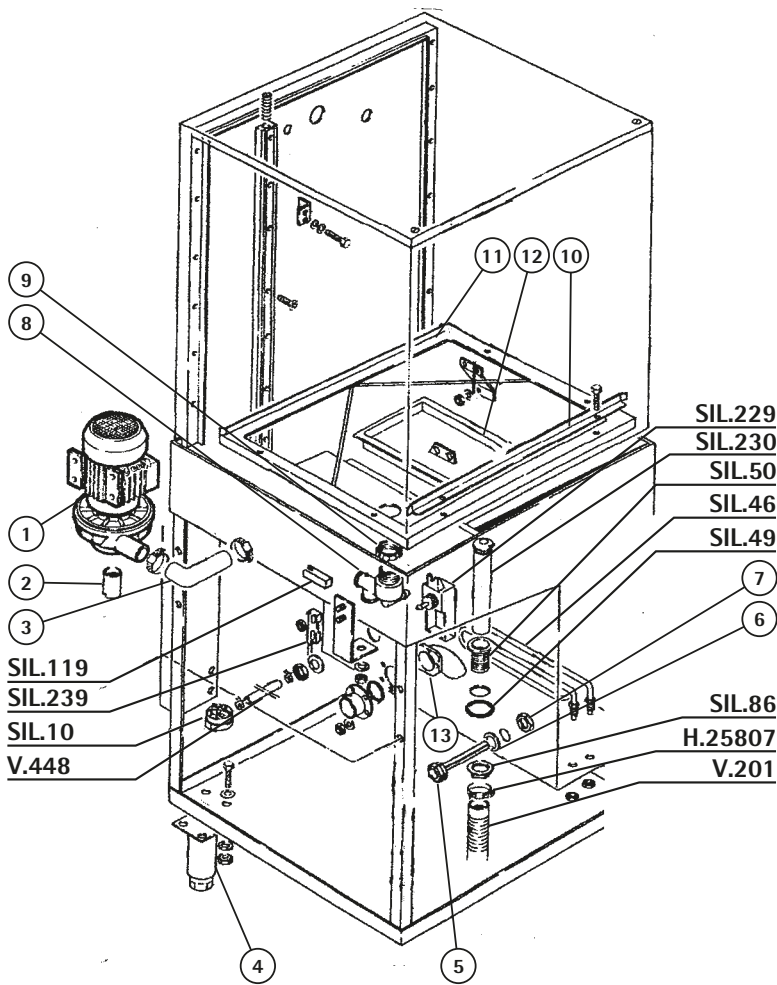
REF.	DESCRIPCIÓN	DESCRIPTION
SIL.10	PRESOSTATO 90/35	90/35 PRESSURE SWITCH
SIL.14	PULSADOR	PUSH-BUTTON
SIL.15	INTERRUPTOR	SWITCH
SIL.40	PROGRAMADOR CICLO	CYCLE TIMER
SIL.94	MICRO MAGNETICO PUERTA	MAGNETIC DOOR MICROSWITCH
SIL.113	PILOTO LINEA	LINE LAMP
SIL.142	RELE	RELAY
SIL.143	PILOTO	LAMP
SIL.144	PILOTO N-90	N-90 LAMP
SIL.145	CONTACTOR N-50, N-90	N-50, N-90 CONTACTOR
SIL.146	RELE N-50	N-50 RELAY
SIL.147	INTERRUPTOR LINEA	LINE SWITCH
SIL.148	BOTON	BUTTON
SIL.149	SOPORTE INTERRUPTOR	SWITCH SUPPORT
SIL.150	INTERRUPTOR LINEA	LINE SWITCH
SIL.151	PULSADOR 2 FASTON	PUSH-BUTTON
SIL.152	INTERRUPTOR SELECCION TIEMPO	TIME SELECTOR SWITCH
SIL.153	FILTRO ANTIRUIDO N-50	N-50 NOISE FILTER
SIL.154	FILTRO ANTIRUIDO N-90	N-90 NOISE FILTER
V.931	REGLETA 9 POLOS D.4,5MM	D.4,5mm 9 POLES CONNECT

REF.	DESCRIPCIÓN	DESCRIPTION
SIL.11	RELE 16A 230V	16A 230V RELAY
SIL.13	PROGRAMADOR	TIMER
SIL.14	PULSADOR	PUSH-BUTTON
SIL.15	INTERRUPTOR	SWITCH
SIL.39	PRESOSTATO SAL/HORIZ. 40/20	40/20 PRESSURE SWITCH
SIL.40	PROGRAMADOR CICLO	CYCLE TIMER
SIL.94	MICRO MAGNETICO PUERTA	MAGNETIC DOOR MICROSWITCH
SIL113	PILOTO LINEA	LINE LAMP
SIL115	PILOTO CICLO	CYCLE LAMP
SIL145	CONTACTOR N-50, N-90	N-50, N-90 CONTACTOR
SIL146	RELE N-50	N-50 RELAY
SIL148	BOTON	BUTTON
SIL149	SOPORTE INTERRUPTOR	SWITCH SUPPORT
SIL150	INTERRUPTOR LINEA	LINE SWITCH
SIL151	PULSADOR 2 FASTON	PUSH-BUTTON
SIL152	INTERRUPTOR SELECCION TIEMPO	TIME SELECTOR SWITCH
SIL153	FILTRO ANTIRUIDO N-50	N-50 NOISE FILTER
SIL219	PROGRAMADOR CICLO 180°	CYCLE TIMER 180°
SIL220	CONTACTOR N600	N600 CONTACTOR
V.931	REGLETA 9 POLOS D.4,5MM	D.4,5mm 9 POLES CONNECT

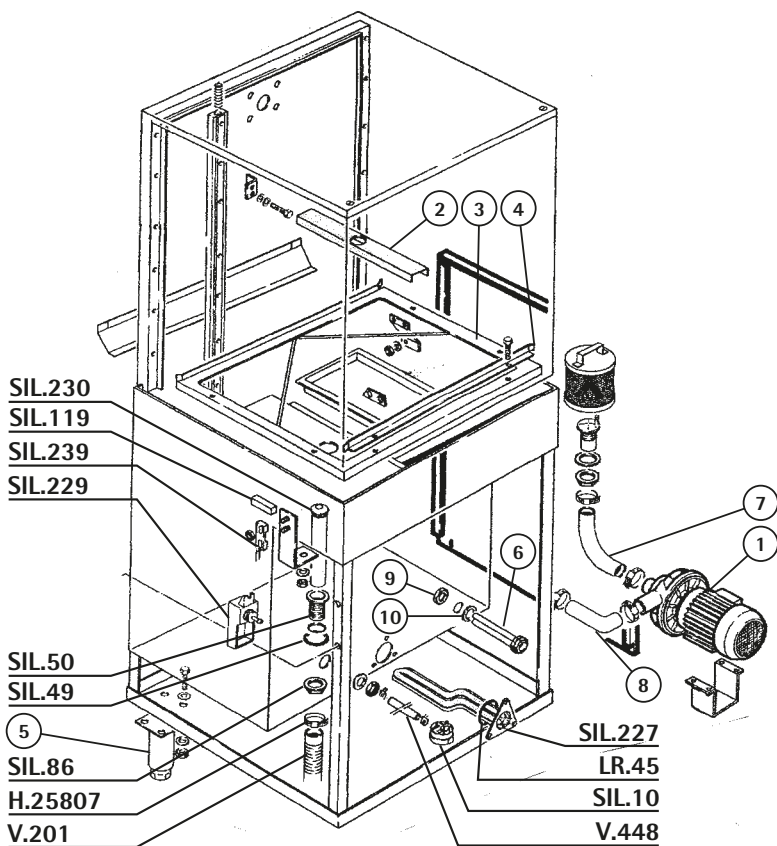


REF.	DESCRIPCIÓN	DESCRIPTION
H30414	RACOR EMPALME	UNION FITTING
V...5	TUBO GOMA 10X16 20 ATM	20ATM 10X17 RUBBER PIPE
V...62	ABRAZADERA 12-20	12-20 CLAMP
V.908	CODO 1/4H	1/4f ELBOW
V.1405	BOQUILLA 1/4M DIM.9mm	DIM.9mm 1/4M HOSE STEM



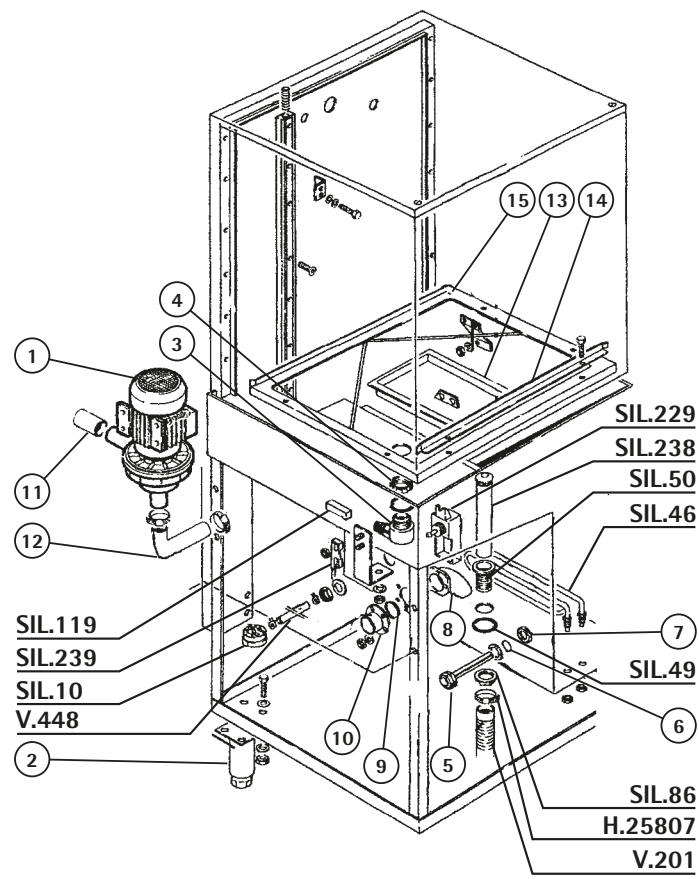


REF.	DESCRIPCIÓN	DESCRIPTION
H25807	ABRAZADERA 25-40	25-40 CLAMP
SIL.10	PRESOSTATO 90/35	90/35 PRESSURE SWITCH
SIL.46	RESISTENCIA CUBA 3000 W	3000 W TANK RESISTANCE
SIL.49	JUNTA	GASKET
SIL.50	PIPETA DESAGÜE	OUTLET FITING
SIL.86	TUERCA PLASTICO	PLASTIC NUT
SIL.119	IMAN	COVER MAGNET
SIL.229	CAMARA PRESOSTITICA	PRESSURE SWITCH CHAMBER
SIL.230	SOBRENIVEL	OVERFLOW
SIL.239	INTERRUPTOR MAGNETICO	MAGNETIC SWITCH
V.201	TUBO DESAGÜE 28mm. 1,5mt.	28mm. 1.5mt OUTLET PIPE
V.448	TUBO PRESOSTATO-METRO 4X6	4X6 PRE.SWITCH INLET PIPE

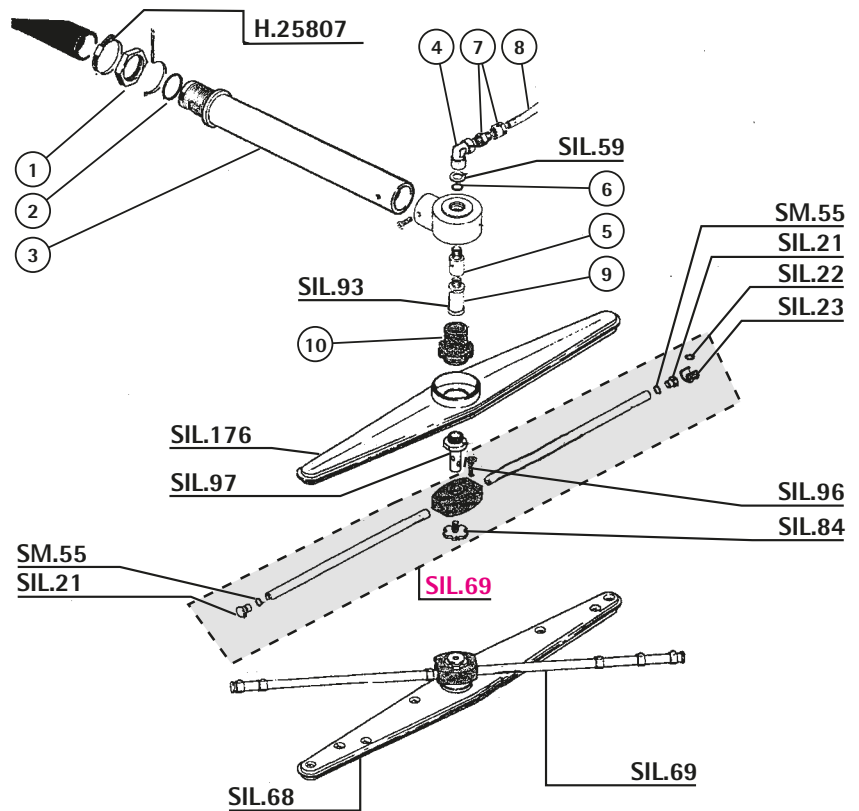


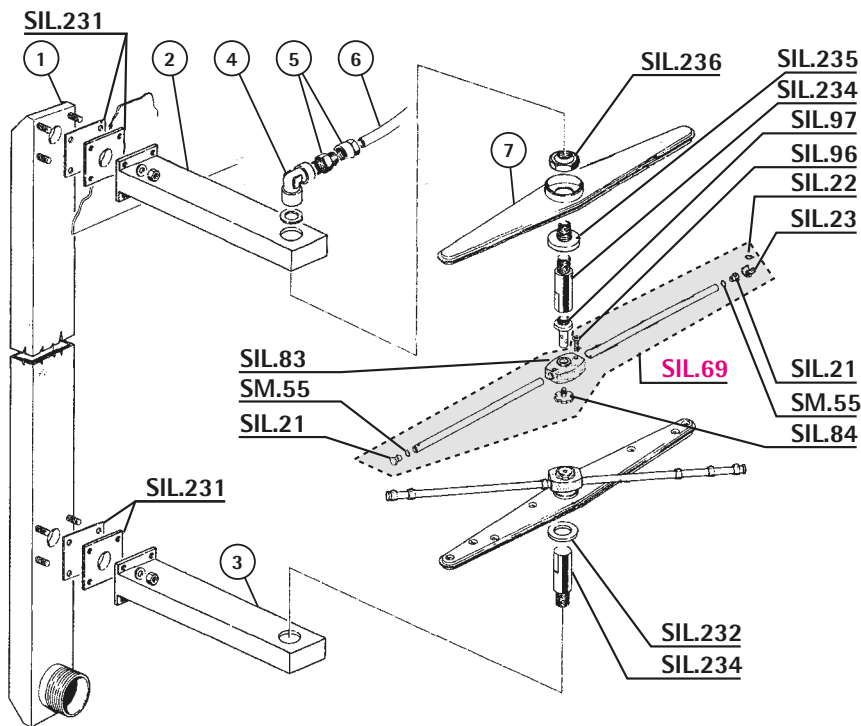
REF.	DESCRIPCIÓN	DESCRIPTION
H25807	ABRAZADERA 25-40	25-40 CLAMP
LR.45	TORICA GOMA	RUBBER RING
SIL.10	PRESOSTATO 90/35	90/35 PRESSURE SWITCH
SIL.49	JUNTA	GASKET
SIL.50	PIPETA DESAGÜE	OUTLET FITING
SIL.86	TUERCA PLASTICO	PLASTIC NUT
SIL.119	IMAN	COVER MAGNET
SIL.227	RESIS.6000W 1300/1000	RESIS.6000W 1300/1000
SIL.229	CAMARA PRESOSTITICA	PRESSURE SWITCH CHAMBER
SIL.230	SOBRENIVEL	OVERFLOW
SIL.239	INTERRUPTOR MAGNETICO	MAGNETIC SWITCH
V.201	TUBO DESAGÜE 28mm. 1,5mt.	28mm. 1.5mt OUTLET PIPE
V.448	TUBO PRESOSTATO-METRO 4X6	4X6 PRE.SWITCH INLET PIPE

REF.	DESCRIPCIÓN	DESCRIPTION
H25807	ABRAZADERA 25-40	25-40 CLAMP
SIL.10	PRESOSTATO 90/35	90/35 PRESSURE SWITCH
SIL.46	RESISTENCIA CUBA 3000 W	3000 W TANK RESISTANCE
SIL.49	JUNTA	GASKET
SIL.50	PIPETA DESAGÜE	OUTLET FITING
SIL.86	TUERCA PLASTICO	PLASTIC NUT
SIL119	IMAN	COVER MAGNET
SIL229	CAMARA PRESOSTITICA	PRESSURE SWITCH CHAMBER
SIL238	SOBRENIVEL	OVERFLOW
SIL239	INTERRUPTOR MAGNETICO	MAGNETIC SWITCH
V.201	TUBO DESAGÜE 28mm. 1,5mt.	28mm. 1.5mt OUTLET PIPE
V.448	TUBO PRESOSTATO-METRO 4X6	4X6 PRE.SWITCH INLET PIPE

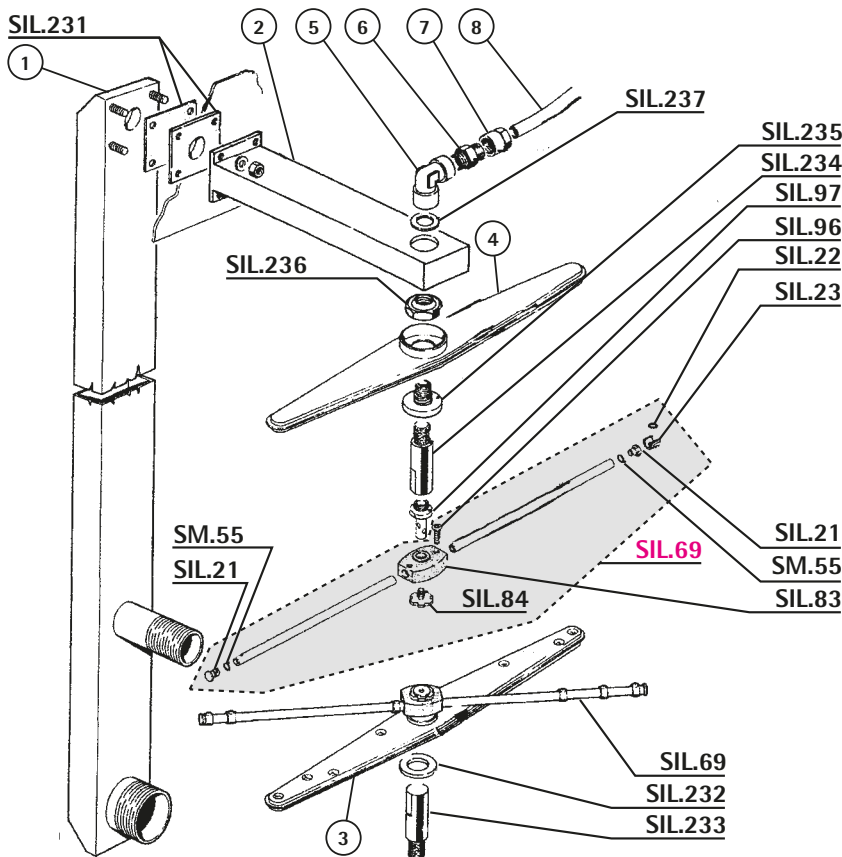


REF.	DESCRIPCIÓN	DESCRIPTION
H25807	ABRAZADERA 25-40	25-40 CLAMP
SIL.21	TAPON PLASTICO	CAP
SIL.22	TORICA	RING
SIL.23	ROCIADOR ACLARADO PLASTICO	RINSE WASH
SIL.59	JUNTA	GASKET
SIL.68	BRAZO LAVADO COMPLETO	COMPLET WASH ARM
SIL.69	BRAZO ACLARADO COMPLETO	COMPLET RINSE ARM
SIL.84	TUERCA FIJACION	FIXING NUT
SIL.93	PERNO	BOLT
SIL.96	TORNILLO M4x8	SCREW M4x8
SIL.97	SOPORTE GIRATORIO	RINSE PIN
SIL176	GIRATORIO LAVADO N-50	N-50 WASH ARM
SM..55	TORICA	RING





REF.	DESCRIPCIÓN	DESCRIPTION
SIL.21	TAPON PLASTICO	CAP
SIL.22	TORICA	RING
SIL.23	ROCIADOR ACLARADO PLASTICO	RINSE WASH
SIL.69	BRAZO ACLARADO COMPLETO	COMPLET RINSE ARM
SIL.83	SOPORTE GIRATORIO	REVOLVING SUPPORT
SIL.84	TUERCA FIJACION	FIXING NUT
SIL.96	TORNILLO M4x8	SCREW M4x8
SIL.97	SOPORTE GIRATORIO	RINSE PIN
SIL.231	JUNTA	GASKET
SIL.232	ARANDELA	WASHER
SIL.234	SOPORTE SUPERIOR	UPPER SUPPORT
SIL.235	TORNILLO	SCREW
SIL.236	TUERCA	NUT
SM..55	TORICA	RING



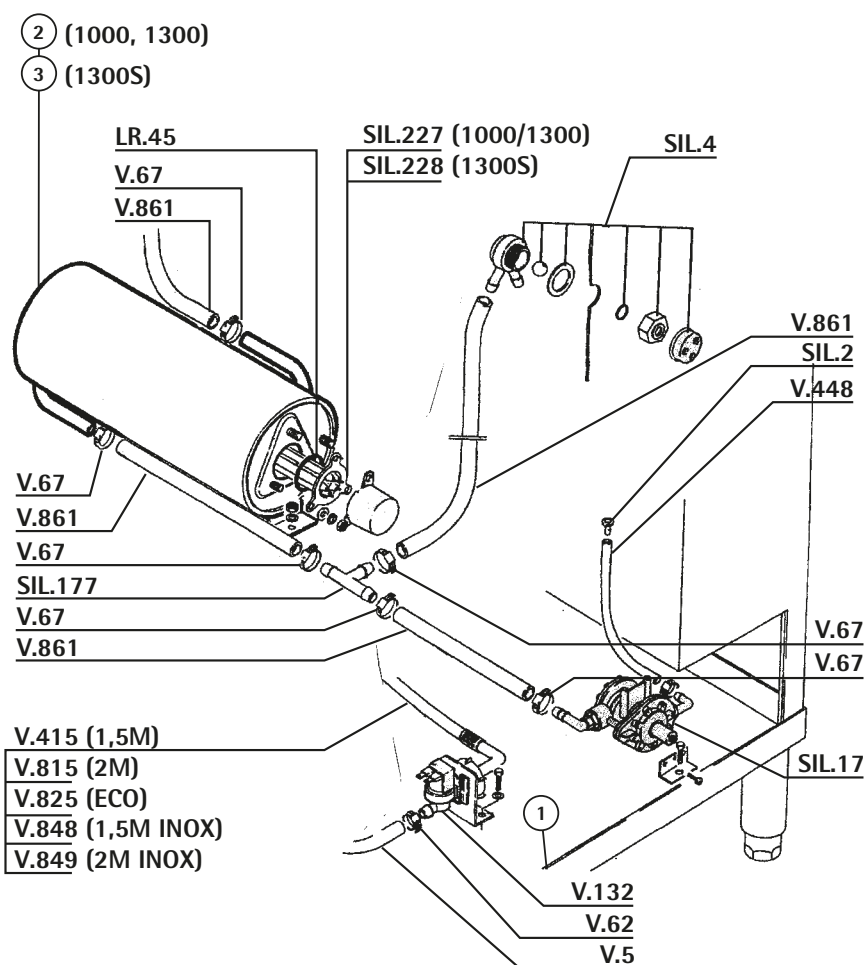
REF.	DESCRIPCIÓN	DESCRIPTION
SIL.21	TAPON PLASTICO	CAP
SIL.22	TORICA	RING
SIL.23	ROCIADOR ACLARADO PLASTICO	RINSE WASH
SIL.69	BRAZO ACLARADO COMPLETO	COMPLET RINSE ARM
SIL.83	SOPORTE GIRATORIO	REVOLVING SUPPORT
SIL.84	TUERCA FIJACION	FIXING NUT
SIL.96	TORNILLO M4x8	SCREW M4x8
SIL.97	SOPORTE GIRATORIO	RINSE PIN
SIL.231	JUNTA	GASKET
SIL.232	ARANDELA	WASHER
SIL.233	SOPORTE INFERIOR	LOWER SUPPORT
SIL.234	SOPORTE SUPERIOR	UPPER SUPPORT
SIL.235	TORNILLO	SCREW
SIL.236	TUERCA	NUT
SIL.237	JUNTA	GASKET
SM..55	TORICA	RING

Si no encuentra el componente que busca, llámenos, le ayudaremos.



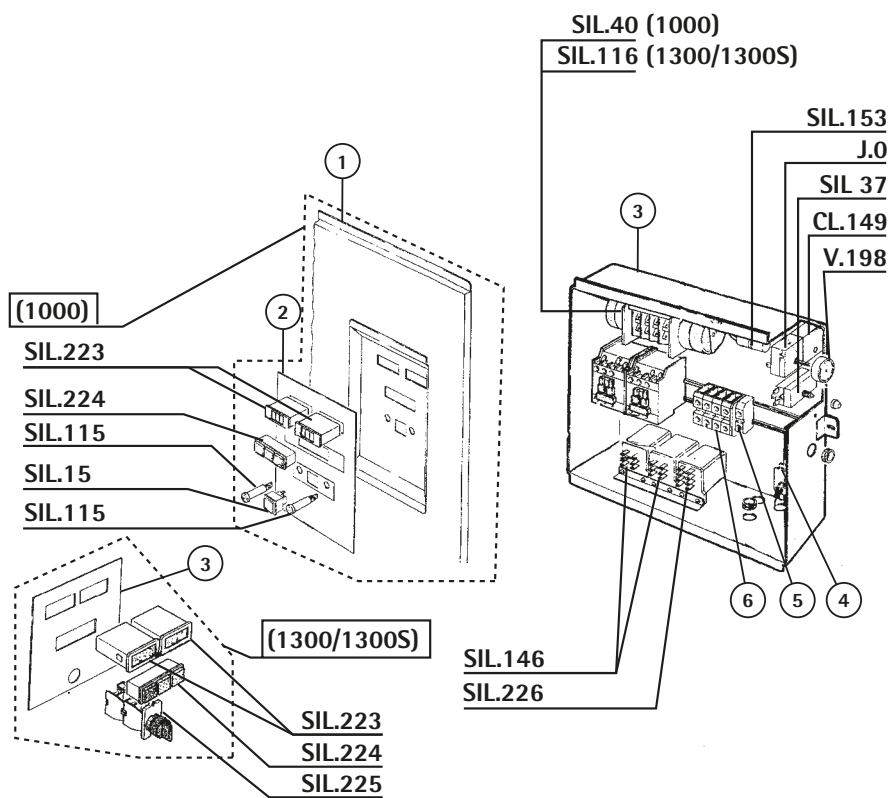
Tel: 93 377 64 11
 Fax: 93 377 98 03
 ascaso@ascaso.com

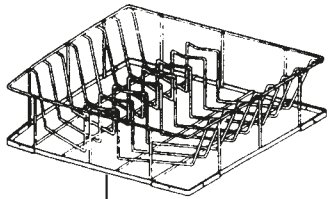
REF.	DESCRIPCIÓN	DESCRIPTION
LR..45	TORICA GOMA	RUBBER RING
SIL..2	FILTRO	FILTER
SIL..4	VALVULA ANTIRETORNO	NON-RETURN VALVE
SIL.17	DOSIFICADOR ABRILLANTADOR	RIMSE-AID DOSIMETER
SIL177	T EMPALME N-50	N-50 PIPE FITTING
SIL227	RESIS.6000W 1300/1000	RESIS.6000W 1300/1000
SIL228	RESIS.9000W 1300S	RESIS.9000W 1300S
V...5	TUBO GOMA 10X16 20 ATM	20ATM 10X17 RUBBER PIPE
V..62	ABRAZADERA 12-20	12-20 CLAMP
V..67	ABRAZADERA 16-27	16-27 CLAMP
V..132	ELECTROVAL.1 VIA LAV.220V	WASH 1 WAY 220V SOLENOID
V.415	TOMA LAVADORA 1,5M	QUALITY 1.5M.INLET W.FLEX
V.448	TUBO PRESOSTATO-METRO 4X6	4X6 PRE.SWITCH INLET PIPE
V.815	TOMA LAVADORA 2 METROS	2 MT.INLET WATER FLEXIBLE
V.825	TOMA LAVADORA 1.5 "ECO"	"ECO"1.5M INLET WA.FLEXIB
V.848	TOMA LAVADORA 1.5M INOX	INOX 1.5M INLET WATER FL.
V.849	TOMA LAV.INOX 2MT.3/4X3/4	INOX 2MT.INLET WATER FLE.
V..861	TUBO GOMA 12X22mm 20ATM	20ATM 12X22mm RUBBER PIPE



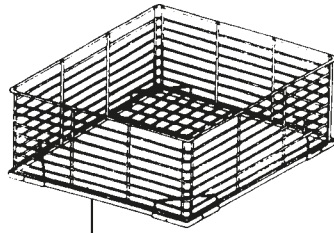
1500 Panel mandos 1000, 1300, 1300S ■ 1000, 1300, 1300S Control panel

REF.	DESCRIPCIÓN	DESCRIPTION
CL.149	TERMOSTATO 55°	55° THERMOSTAT
J...0	TERMOSTATO 0-90°	0-90° THERMOSTAT
SIL.15	INTERRUPTOR	SWITCH
SIL.37	TERMOSTATO SEGURIDAD	SAFETY THERMOSTAT
SIL.40	PROGRAMADOR CICLO	CYCLE TIMER
SIL115	PILOTO CICLO	CYCLE LAMP
SIL116	PROGRAMADOR 1300	TIMER 1300
SIL146	RELE N-50	N-50 RELAY
SIL153	FILTRO ANTIRUIDO N-50	N-50 NOISE FILTER
SIL223	TERMOMETRO 120	THERMOMETER
SIL224	BOTONERA	PUSH-BUTTON
SIL225	INTERRUPTOR CICLO	CYCLE SWITCH
SIL226	RELE 1000/1300/1300S	RELAY 1000/1300/1300S
V..198	MANDO TERMOSTATO 90°	90° THERMOSTAT HANDLE





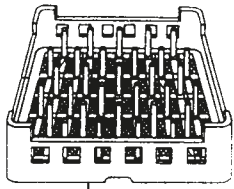
V.843 (SVELTINA/N.19/N.22)
V.29 (N.24/N.27/N.30/N.40)
WL.3520 (N.600)



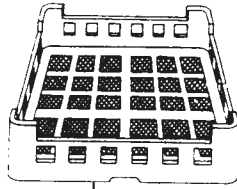
V.844 (SVELTINA/N.19/N.22)
WL.3511 (N.24/N.27/N.30/N.40)
WL.3512 (N.600)

GAMA COMPLETA, CONSULTAR PAG. 34
COMPLET RANGE, CONSULT PAG. 34

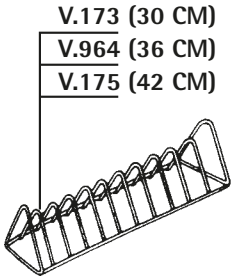
REF.	DESCRIPCIÓN	DESCRIPTION
V...29	CESTO CUADRO PLATOS 40x40	40X40 SQUARE PLATE BASKET
V...32	CESTO CUCHARAS PLASTICO	PLASTIC SPOON BASKET
V..173	INSERTO PLATOS 30CMT.	30CMT DISHES INSERT
V..175	INSERTO PLATOS 42CMT.	42CMT DISHES INSERT
V..526	CESTO CUCHARAS CUADRADO	SQUARE SPOON BASKET
V..610	CANTONERA CESTO CUADRADO	BASKET SQUARE CORNERPIECE
V..843	CESTO CUADRO PLATOS 34X34	34X34 DISH BASKET
V..844	CESTO CUADRO VASOS 34X34	34X34 GLASSES BASKET
V..964	INSERTO PLATOS 36cm	36cm DISHES INSERT
V.1250	CESTA VASOS 50X50	50X50 GLASSES RACK
V.1252	CEST.PLATOS-BANDEJA 50X50	PLATES AND TRAYS RACK
WL3511	CESTO CUADRO VASOS 40x40	40X40 GLASSES BASKET
WL3512	CESTO CUADRO VASOS 45x45	45X45 GLASSES BASKET
WL3520	CESTO CUADRO PLATOS 45x45	45X45 DISH BASKET



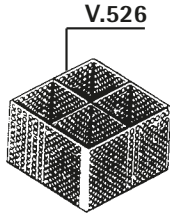
V.1252 (N.50/N.90/
N.700/N.700F/1000/
1300/1300S)



V.1250 (N.50/N.90/
N.700/N.700F/1000/
1300/1300S)



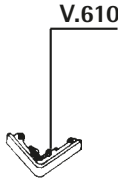
V.173 (30 CM)
V.964 (36 CM)
V.175 (42 CM)



V.526



V.32

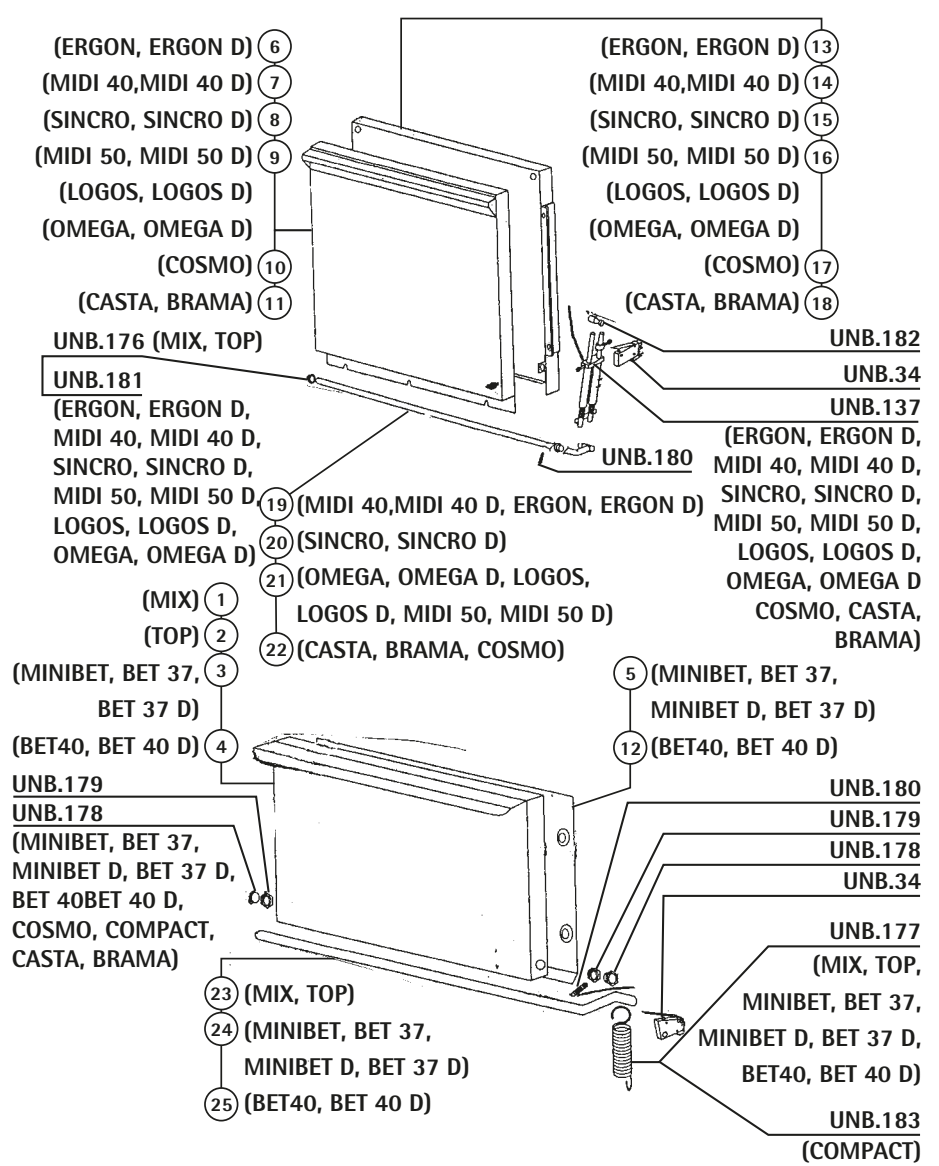


V.610

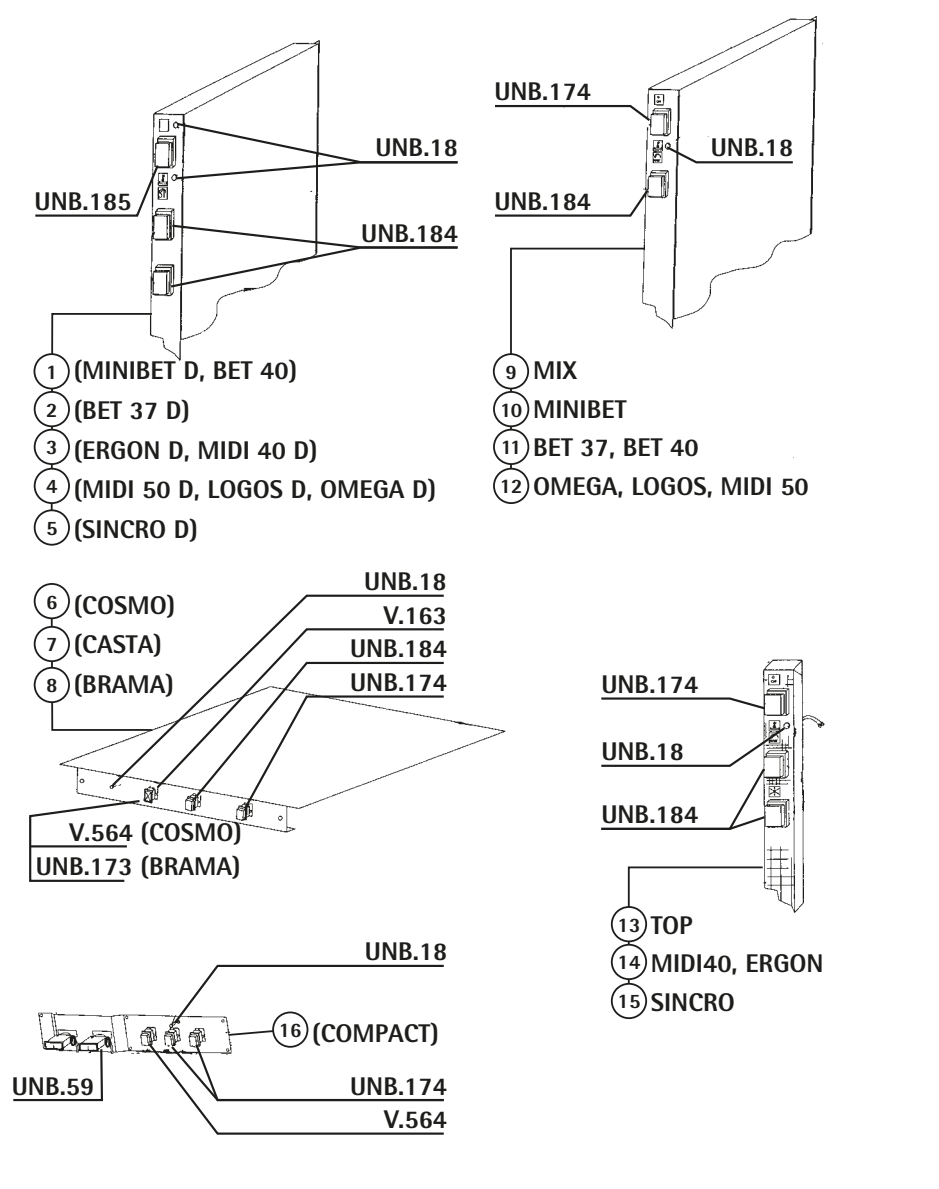
Índice UNIVERBAR index

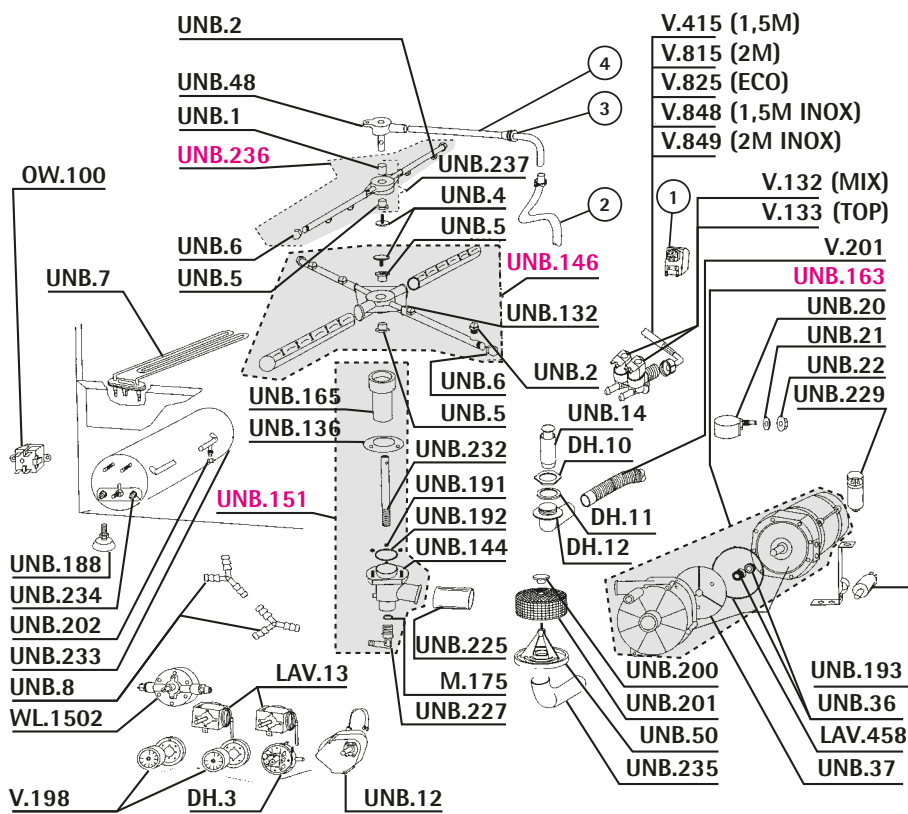
Puerta TOP, MIX, MINIBET, BET 37, MINIBET D, BET 37 D, BET 40, BET 40 D, ERGON, ERGON D, MIDI 40, MIDI 40 D SINCRO, SINCRO D, MIDI 50, MIDI 50 D, LOGOS, LOGOS D OMEGA, OMEGA D, COSMO, CASTA, BRAMA	TOP, MIX, MINIBET, BET 37, MINIBET D, BET 37 D BET 40, BET 40 D, ERGON, ERGON D, MIDI 40, MIDI 40 D SINCRO, SINCRO, MIDI 50, MIDI 50 D, LOGOS, LOGOS D OMEGA, OMEGA D, COSMO, CASTA, BRAMA Door.	1503
Panel de mandos TOP, MIX, MINIBET, BET 37, MINIBET D, BET 37 D BET 40, BET 40 D, ERGON, ERGON D, MIDI 40, MIDI 40 D SINCRO, SINCRO D, MIDI 50, MIDI 50 D, LOGOS, LOGOS D OMEGA, OMEGA D, COSMO, COMPACT, CASTA, BRAMA.	TOP, MIX, MINIBET, BET 37, MINIBET D, BET 37 D OMEGA, OMEGA D, COSMO, COMPACT, CASTA, BRAMA Control panel.	1504
MIX, TOP	MIX, TOP	1505
MINIBET, BET 37, BET 40, MINIBET D, BET 37 D, BET 40 D	MINIBET, BET 37, BET 40, MINIBET D, BET 37 D, BET 40 D	1506
ERGON, ERGON D	ERGON, ERGON D	1507
MIDI 40, MIDI 40 D	MIDI 40, MIDI 40 D	1508
SINCRO, SINCRO D	SINCRO, SINCRO D	1509
MIDI 50, MIDI 50 D	MIDI 50, MIDI 50 D	1510
LOGOS, LOGOS D	LOGOS, LOGOS D	1511
OMEGA, OMEGA D	OMEGA, OMEGA D	1512
COSMO	COSMO	1513
COMPACT	COMPACT	1514
CASTA	CASTA	1515
BRAMA	BRAMA	1516
CESTOS	BASKETS	1517

REF.	DESCRIPCIÓN	DESCRIPTION
UNB.34	MICRO PUERTA	DOOR MICROSWITCH
UNB137	MUELLE PUERTA	DOOR SPRING
UNB176	TOPE	STOP
UNB177	MUELLE PUERTA	DOOR SPRING
UNB178	TORNILLO PUERTA	DOOR SCREW
UNB179	TUERCA PUERTA	DOOR NUT
UNB180	ESPÁRRAGO	HEADLESS SCREW
UNB181	TOPE	STOP
UNB182	PASADOR	PIN
UNB183	MUELLE CÚPULA COMPACT	COMPACT SPRING



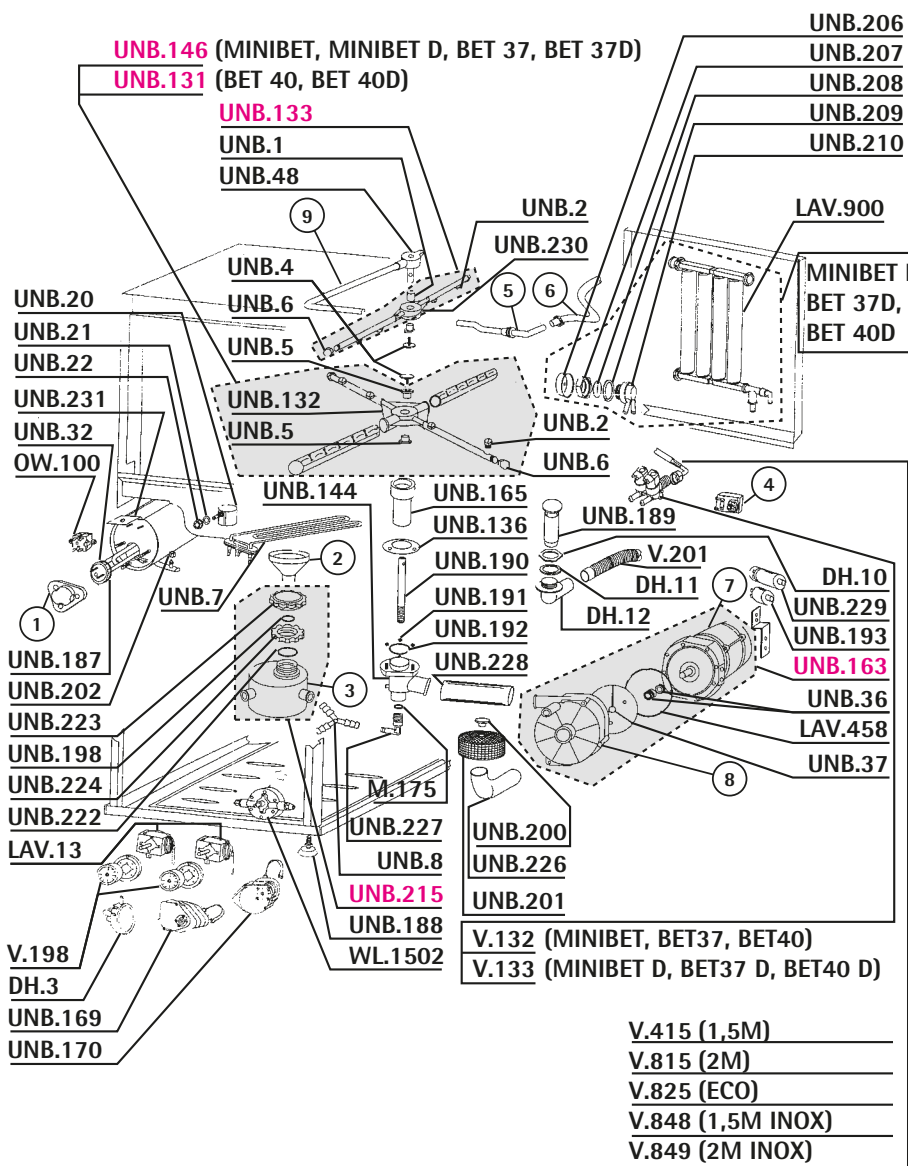
REF.	DESCRIPCIÓN	DESCRIPTION
UNB.18	PILOTO VERDE	WARNING LAMP
UNB.59	TERMOSTATO	THERMOSTAT
UNB173	INTERRUPTOR	SWITCH
UNB174	INTERRUPTOR	SWITCH
UNB184	INTERRUPTOR	SWITCH
UNB185	INTERRUPTOR	SWITCH
V..163	FUNDA ESTANQUEIDAD	WATERTIGHTNESS COVER
V..564	CONMUTADOR 6 FASTON VERDE	GREEN 6 FASTON SWITCH





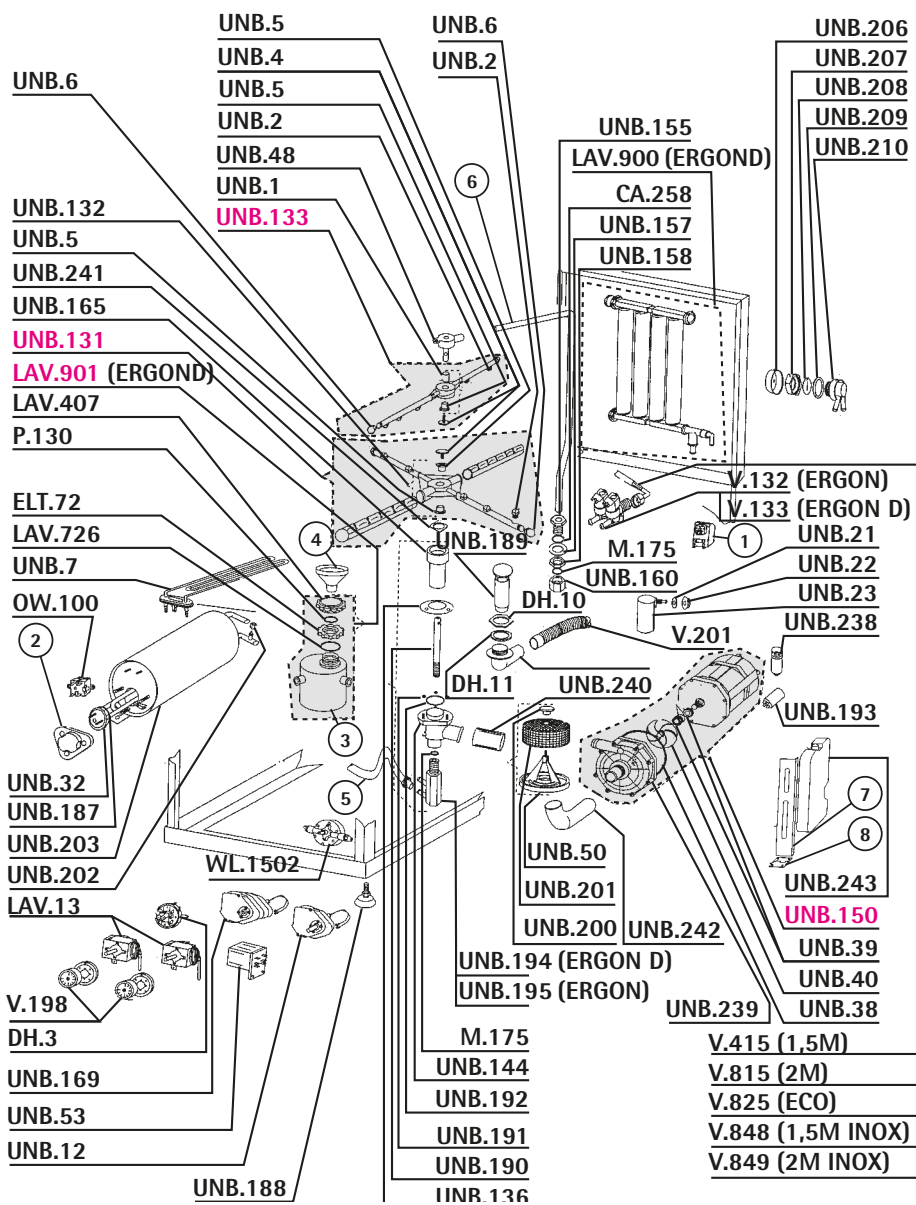
REF.	DESCRIPCIÓN	DESCRIPTION
DH...3	PRESOSTATO SAL	55/30 HORIZ.PRESS.SWITCH
DH..10	TUERCA CODO DESAGÜE	OUTLET ELBOW NUT
DH..11	JUNTA GOMA	RUBBER GASKET
DH..12	CODO DESAGÜE	DRAIN ELBOW
LAV.13	TERMOSTATO CALDERIN 90°	90° BOILER THERMOSTAT
LAV458	TORICA BOMBA	PUMP RING
M..175	TORICA GOMA EPDM	RUBBER RING
OW.100	TERMOSTATO SEGURIDAD 100°	SAFETY THERMOSTAT 100°
UNB..1	CASQUILLO TEFLON	TEFLON CAP
UNB..2	ROCIADOR ACLARADO	RINSE SPRAY
UNB..4	TORNILLO ASTA	ARM SCREW
UNB..5	CASQUILLO TEFLON	TEFLON CAP
UNB..6	TAPON ASTA 1/8	ARM CAP
UNB..7	RESISTENCIA CUBA 2000W	2000W TANK RESISTANCE
UNB..8	RACOR Y	Y FITTING
UNB.12	PROGRAMADOR CICLO	CYCLE TIMER
UNB.14	SOBRENIVEL	OVERFLOW
UNB.20	CAMARA PRESOST. MIX/TOP	MIX/TOP PRESS.CHAMBER
UNB.21	JUNTA NYLON	NYLON GASKET
UNB.22	TUERCA M8	NUT
UNB.36	RETEN MOTOBOMBA	MOTOR MECHANICAL SEAL
UNB.37	TURBINA MOTOBOMBA	MOTOR TURBINE
UNB.48	DISTRIBUIDOR SUPERIOR ERGON	ERGON UPPER DISTRIBUTOR
UNB.50	BASE FILTRO	FILTER BASE
UNB.132	CRUCETA	CROSSHEAD
UNB.136	ARANDELA INOX	INOX WASHER
UNB.144	COLECTOR INFERIOR	COLLECTOR INFERIOR
UNB.146	CRUZ GIRATORIO MIX/TOP	MIX GIRATORY CROSSHEAD
UNB.151	COLECTOR LAVADO/ACLARADO	WASH/RINSE COLLECTOR
UNB.163	MOTOR MIX-TOP	MIX-TOP MOTOR
UNB.165	BASE CRUCETA	CROSSHEAD BASE
UNB.188	PATA	FOOD
UNB.191	TUERCA	NUT
UNB.192	JUNTA	GASKET
UNB.193	FILTRO ANTIPARASITARIO	ANTPARASITIC FILTER
UNB.200	TORNILLO FILTRO	FILTRE SCREW
UNB.201	FILTRO	FILTER
UNB.202	TUERCA	NUT
UNB.225	MANGUITO	SLEEVE
UNB.227	CODO	ELBOW
UNB.229	CONDENSADOR	CONDENSER
UNB.232	EJE	ROD
UNB.233	CALDERON	BOILER
UNB.234	RESISTENCIA	RESISTANCE
UNB.235	CODO	ELBOW
UNB.236	GIRATORIO	GYRATORY
UNB.237	CRUCETA	CROSSHEAD
V..132	ELECTROVAL.1 VIA LAV.220V	WASH 1 WAY 220V SOLENOID
V..133	ELECTROVAL.2 VIA LAV.220V	WASH 2 WAYS 220V SOLENOID
V..198	MANDO THERMOSTATO 90°	90° THERMOSTAT HANDLE
V..201	TUBO DESAGÜE 28mm. 1,5mt.	28mm. 1.5mt OUTLET PIPE
V..415	TOMA LAVADORA 1,5M	QUALITY 1.5M.INLET W.FLEX
V..815	TOMA LAVADORA 2 METROS	2 MT.INLET WATER FLEXIBLE
V..825	TOMA LAVADORA 1.5 «ECO»	«ECO»1.5M INLET WA.FLEXIB
V..848	TOMA LAVADORA 1.5M INOX	INOX 1.5M INLET WATER FL.
V..849	TOMA LAV.INOX 2MT.3/4X3/4	INOX 2MT.INLET WATER FLE.
WL1502	DOSIFICADOR ABRILLANTADOR	RINSE AID DOSIMETER

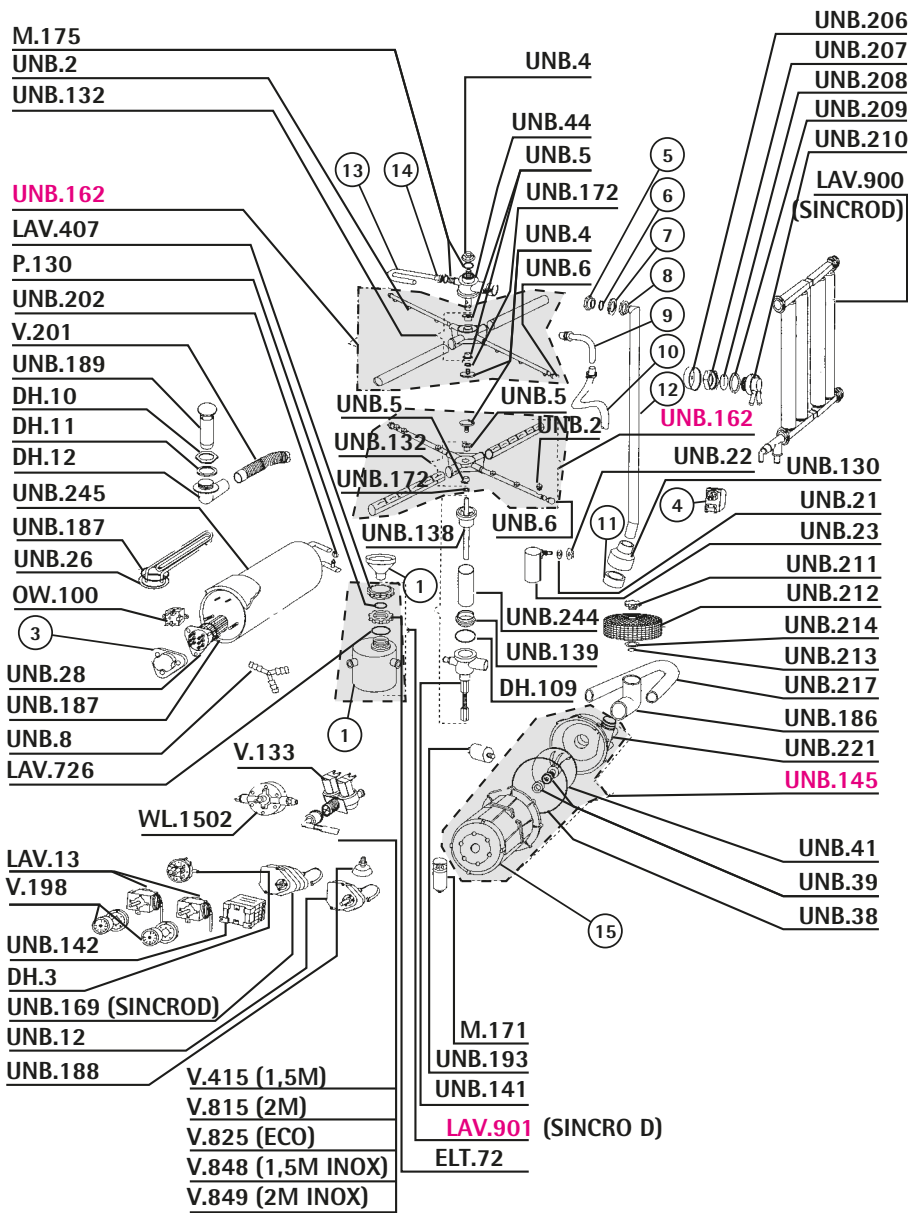
Minibet, Bet 37, Bet 40, Minibet D, Bet 37 D, Bet 40 D ■ Minibet, Bet 37, Bet 40, Minibet D, Bet 37 D, Bet 40 D



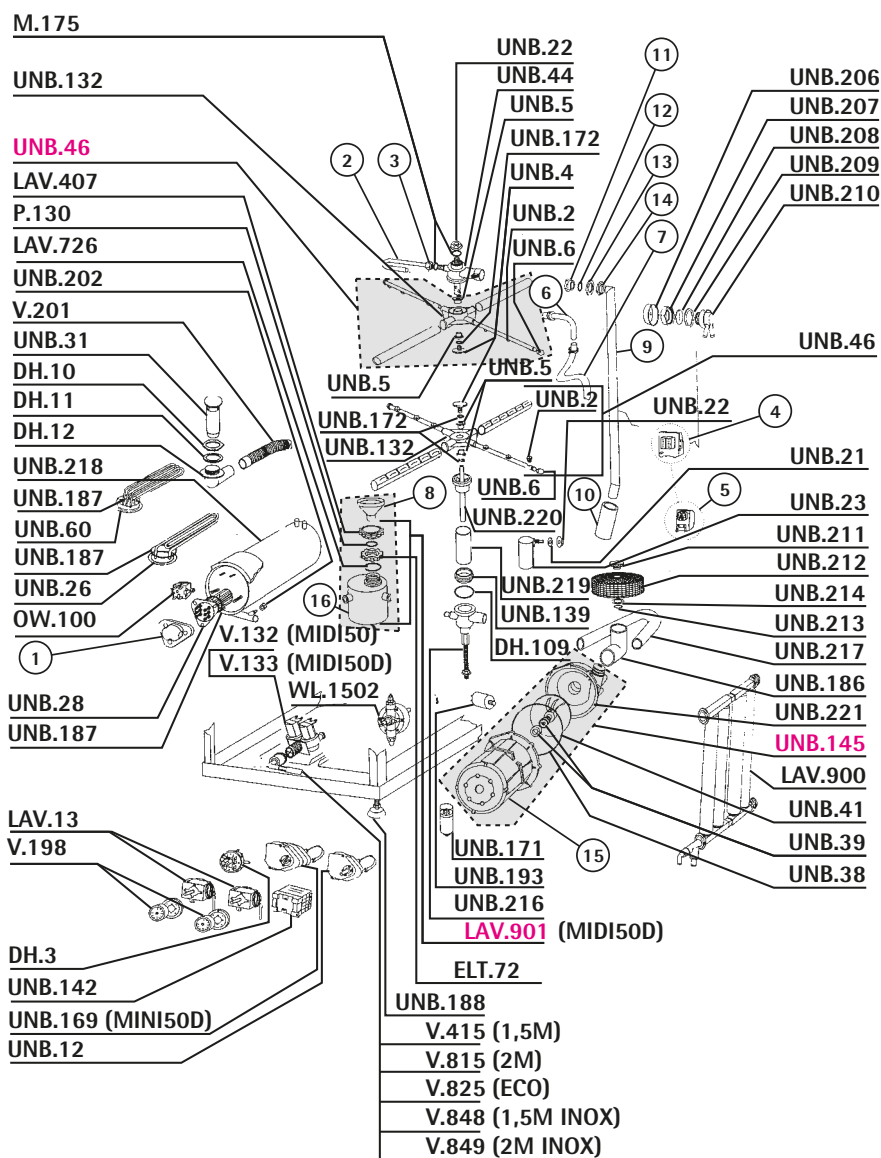
REF.	DESCRIPCIÓN	DESCRIPTION
DH..3	PRESOSTATO SAL	55/30 HORIZ.PRESS.SWITCH
DH..10	TUERCA CODO DESAGÜE	OUTLET ELBOW NUT
DH..11	JUNTA GOMA	RUBBER GASKET
DH..12	CODO DESAGÜE	DRAIN ELBOW
LAV.13	TERMOSTATO CALDERIN 90°	90° BOILER THERMOSTAT
LAV458	TORICA BOMBA	PUMP RING
LAV900	DEPURADOR LAVATAZAS	WASHING CUP PURIFIER
M..175	TORICA GOMA EPDM	RUBBER RING
OW.100	TERMOSTATO SEGURIDAD 100°	SAFETY THERMOSTAT 100°
UNB..1	CASQUILLO TEFLON	TEFLON CAP
UNB..2	ROCIADOR ACLARADO	RINSE SPRAY
UNB..4	TORNILLO ASTA	ARM SCREW
UNB..5	CASQUILLO TEFLON	TEFLON CAP
UNB..6	TAPON ASTA 1/8	ARM CAP
UNB..7	RESISTENCIA CUBA 2000W	2000W TANK RESISTANCE
UNB..8	RACOR Y	Y FITTING
UNB.12	PROGRAMADOR CICLO	CYCLE TIMER
UNB.20	CAMARA PRESOST. MIX/TOP	MIX/TOP PRESS.CHAMBER
UNB.21	JUNTA NYLON	NYLON GASKET
UNB.22	TUERCA M8	NUT
UNB.32	RESISTENCIA 2000W 230V	2000W 230V RESISTANCE
UNB.36	RETEN MOTOBOMBA	MOTOR MECHANICAL SEAL
UNB.37	TURBINA MOTOBOMBA	MOTOR TURBINE
UNB.48	DISTRIBUIDOR SUPERIOR ERGON	ERGON UPPER DISTRIBUTOR
UNB.131	DISTRIBUIDOR SUPERIOR ERGON	ERGON LOWER CROSSHEAD
UNB.132	CRUCETA	CROSSHEAD
UNB.133	GIRATORIO ACLARADO ERGON	ERGON RINSE GYRATORY
UNB.136	ARANDELA INOX	INOX WASHER
UNB.144	COLECTOR INFERIOR	COLLECTOR INFERIOR
UNB.146	CRUZ GIRATORIO MIX/TOP	MIX GIRATORY CROSSHEAD
UNB.163	MOTOR MIX-TOP	MIX-TOP MOTOR
UNB.165	BASE CRUCETA	CROSSHEAD BASE
UNB.169	PROGRAMADOR	TIMER
UNB.187	JUNTA RESISTENCIA	RESISTANCE GASKET
UNB.188	PATA	FOOD
UNB.189	REBOSADERO	OVERFLOW
UNB.190	EJE	ROD
UNB.191	TUERCA	NUT
UNB.192	JUNTA	GASKET
UNB.193	FILTRO ANTIPARASITARIO	ANTPARASITIC FILTER
UNB.198	JUNTA	GASKET
UNB.200	TORNILLO FILTRO	FILTRE SCREW
UNB.201	FILTRO	FILTER
UNB.202	TUERCA	NUT
UNB.206	ADAPTADOR	ADAPTER
UNB.207	TUERCA	NUT
UNB.208	PLACA	PLATE
UNB.209	JUNTA	GASKET
UNB.210	RACOR 2 SALIDAS	2 OUTLETS RACOR
UNB.215	DEPOSITO SAL	SALT CONTAINER
UNB.222	JUNTA	GASKET
UNB.223	TAPON	LID
UNB.224	TUERCA	NUT
UNB.226	CODO	ELBOW
UNB.227	CODO	ELBOW
UNB.228	TUBO	PIPE
UNB.229	CONDENSADOR	CONDENSER
UNB.230	CRUCETA	CROSSHEAD
UNB.231	CALDERON	BOILER
V..132	ELECTROVAL.1 VIA LAV.220V	WASH 1 WAY 220V SOLENOID
V..133	ELECTROVAL.2 VIA LAV.220V	WASH 2 WAYS 220V SOLENOID
V..198	MANDO THERMOSTATO 90°	90° THERMOSTAT HANDLE
V..201	TUBO DESAGÜE 28mm. 1,5mt.	28mm. 1.5mt OUTLET PIPE
V..415	TOMA LAVADORA 1,5M	QUALITY 1.5M.INLET W.FLEX
V..815	TOMA LAVADORA 2 METROS	2 MT.INLET WATER FLEXIBLE
V..825	TOMA LAVADORA 1.5 «ECO»	«ECO»1.5M INLET WA.FLEXIB
V..848	TOMA LAVADORA 1.5M INOX	INOX 1.5M INLET WATER FL.
V..849	TOMA LAV.INOX 2MT.3/4X3/4	INOX 2MT.INLET WATER FLE.
WL1502	DOSIFICADOR ABRILLANTADOR	RINSE AID DOSIMETER

REF.	DESCRIPCIÓN	DESCRIPTION
DH...3	PRESOSTATO SAL	55/30 HORIZ.PRESS.SWITCH
DH...10	TUERCA CODO DESAGÜE	OUTLET ELBOW NUT
DH...11	JUNTA GOMA	RUBBER GASKET
DH...12	CODO DESAGÜE	DRAIN ELBOW
ELT.72	RACOR DEPOSITO SAL	FITTING SALT CONTAINER
LA.258	CONECTOR	CONNECTOR
LAV.13	TERMOSTATO CALDERIN 90°	90° BOILER THERMOSTAT
LAV.407	TAPON DEPOSITO SAL	SALT TANK CAP
LAV.726	JUNTA GOMA BOTELLA SAL	BOTTLE SALT RUBBER GASKET
LAV.900	DEPURADOR LAVATAZAS	WASHING CUP PURIFIER
LAV.901	DEPOSITO SAL COMPLETO	SALT CONTAINER
M...175	TORICA GOMA EPDM	RUBBER RING
OW.100	TERMOSTATO SEGURIDAD 100°	SAFETY THERMOSTAT 100°
P...130	TORICA EPDM	RING
UNB.1	CASQUILLO TEFLON	TEFLON CAP
UNB.2	ROCIADOR ACLARADO	RINSE SPRAY
UNB.4	TORNILLO ASTA	ARM SCREW
UNB.5	CASQUILLO TEFLON	TEFLON CAP
UNB.6	TAPON ASTA 1/8	ARM CAP
UNB.7	RESISTENCIA CUBA 2000W	2000W TANK RESISTANCE
UNB.12	PROGRAMADOR CICLO	CYCLE TIMER
UNB.21	JUNTA NYLON	NYLON GASKET
UNB.22	TUERCA M8	NUT
UNB.23	CAMARA PRESOSTATICA	PRESS. CHAMBER
UNB.28	RESISTENCIA 3000W 230V	3000W 230V RESISTANCE
UNB.39	RETEN MOTOBOMBA	MOTOR MECHANICAL SEAL
UNB.40	TURBINA MOTOBOMBA	MOTOR TURBINE
UNB.48	DISTRIBUIDOR SUPERIOR ERGON	ERGON UPPER DISTRIBUTOR
UNB.50	BASE FILTRO	FILTER BASE
UNB.53	RELE	RELAY
UNB.131	CRUZ INFERIOR ERGON	ERGON LOWER CROSSHEAD
UNB.132	CRUCETA	CROSSHEAD
UNB.133	GIRATORIO ACLARADO ERGON	ERGON RINSE GYRATORY
UNB.136	ARANDELA INOX	INOX WASHER
UNB.144	COLECTOR INFERIOR	COLLECTOR INFERIOR
UNB.150	MOTOR UBF-530 ERGON	UBF-530 ERGON MOTOR
UNB.155	UNION 3/8 GAS	3/8 GAS UNION
UNB.157	ARANDELA INOX	INOX WASHER
UNB.158	TUERCA 3/8 GAS	3/8 GAS NUT
UNB.160	TUERCA 3/8 GAS	3/8 GAS NUT
UNB.165	BASE CRUCETA	CROSSHEAD BASE
UNB.169	PROGRAMADOR	TIMER
UNB.187	JUNTA RESISTENCIA	RESISTANCE GASKET
UNB.188	PATA	FOOD OVERFLOW ROD
UNB.189	REBOSADERO	OVERFLOW
UNB.191	EJE	ROD
UNB.192	TUERCA	NUT
UNB.193	JUNTA	GASKET
UNB.194	FILTRO ANTIPARASITARIO	ANTIPARASITIC FILTER
UNB.195	RACOR	FITTING
UNB.196	RACOR	FITTING
UNB.197	TORNILLO FILTRO	FILTRE SCREW
UNB.198	FILTRO	FILTER
UNB.199	TUERCA	NUT
UNB.200	CALDERON MIDI 40/D	BOILER MIDI 40/D
UNB.201	ADAPTADOR	ADAPTER
UNB.202	TUERCA	NUT
UNB.203	PLACA	PLATE
UNB.204	JUNTA	GASKET
UNB.205	RACOR 2 SALIDAS	2 OUTLETS RACORD
UNB.206	CONDENSADOR	CONDENSER
UNB.207	TAPA MOTOR	MOTOR LID
UNB.208	MANGUITO	SLEEVE
UNB.209	ADAPTADOR	ADAPTOR
UNB.210	CODO	ELBOW
UNB.211	DEPOSITO ABRILLANTADOR	SQUARE RINS AID CONTAINER
UNB.212	ELECTROVAL.1 VIA LAV.220V	ELECTROVALV 1 WAY 220V SOLENOID
UNB.213	ELECTROVAL.2 VIA LAV.220V	ELECTROVALV 2 WAYS 220V SOLENOID
UNB.214	MANDO TERMOSTATO 90°	90° THERMOSTAT HANDLE
UNB.215	TUBO DESAGÜE 28mm. 1,5mt.	28mm. 1.5mt OUTLET PIPE
UNB.216	TOMA LAVADORA 1.5M	QUALITY 1.5M INLET W.FLEX
UNB.217	TOMA LAVADORA 2 METROS	2 MT. INLET WATER FLEXIBLE
UNB.218	TOMA LAVADORA 1.5 «ECO»	«ECO» 1.5M INLET WA.FLEXIB
UNB.219	TOMA LAVADORA 1.5M INOX	INOX 1.5M INLET WATER FL.
UNB.220	TOMA LAV. INOX 2MT.3/4X3/4	INOX 2MT. INLET WATER FLE.
UNB.221	DOSIFICADOR ABRILLANTADOR	RINSE AID DOSIMETER



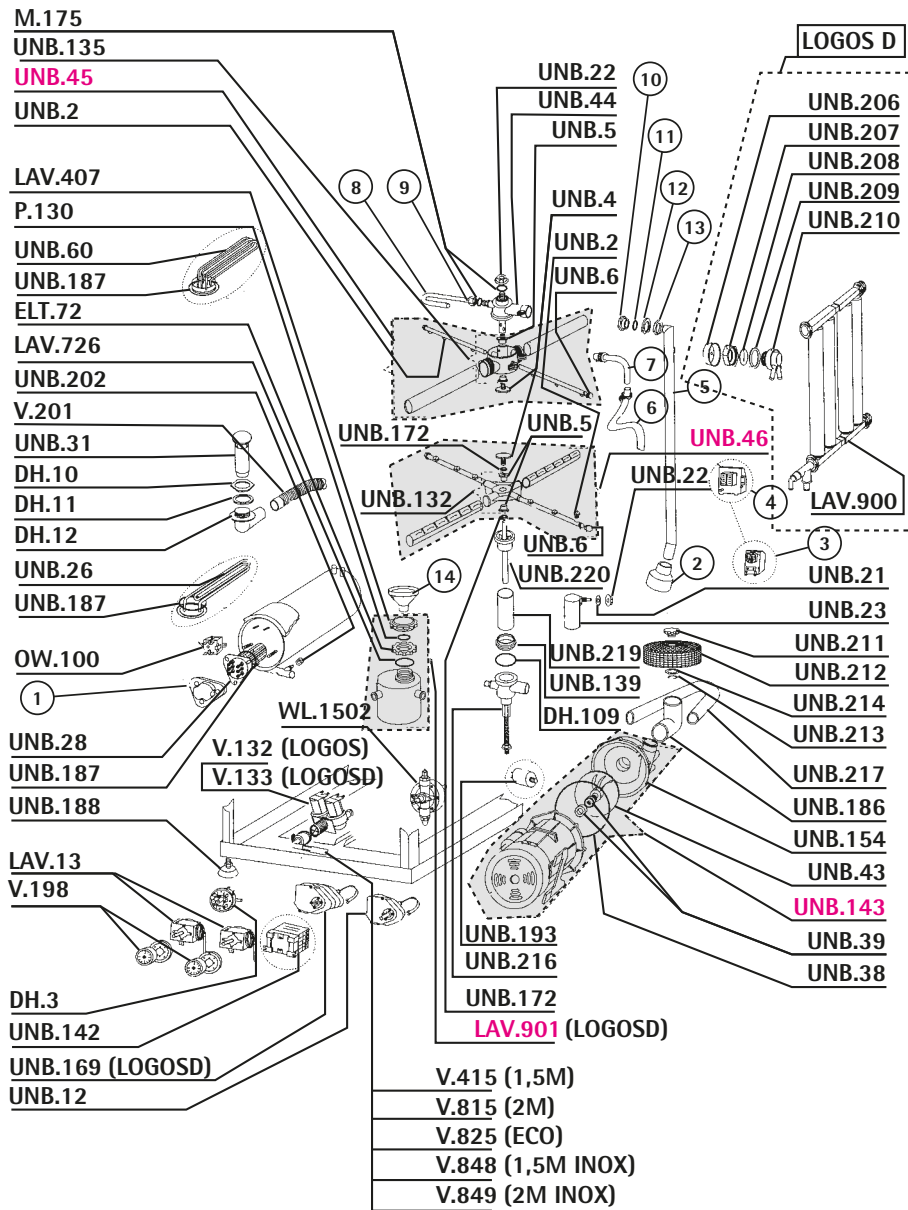


REF.	DESCRIPCIÓN	DESCRIPTION
DH...3	PRESOSTATO SAL	55/30 HORIZ.PRESS.SWITCH
DH..10	TUERCA CODO DESAGÜE	OUTLET ELBOW NUT
DH..11	JUNTA GOMA	RUBBER GASKET
DH..12	CODO DESAGÜE	DRAIN ELBOW
DH.109	TORICA	RING
ELT.72	RACOR DEPOSITO SAL	FITTING SALT CONTAINER
LAV.13	TERMOSTATO CALDERIN 90°	90° BOILER THERMOSTAT
LAV407	TAPON DEPOSITO SAL	SALT TANK CAP
LAV726	JUNTA GOMA BOTELLA SAL	BOTTLE SALT RUBBER GASKET
LAV900	DEPURADOR LAVATAZAS	WASHING CUP PURIFIER
LAV901	DEPOSITO SAL COMPLETO	SALT CONTAINER
M..175	TORICA GOMA EPDM	RUBBER RING
OW.100	TERMOSTATO SEGURIDAD 100°	SAFETY THERMOSTAT 100°
P..130	TORICA EPDM	RING
UNB..2	ROCIADOR ACLARADO	RINSE SPRAY
UNB..4	TORNILLO ASTA	ARM SCREW
UNB..5	CASQUILLO TEFLON	TEFLON CAP
UNB..6	TAPON ASTA 1/8	ARM CAP
UNB..8	RACOR Y	Y FITTING
UNB.12	PROGRAMADOR CICLO	CYCLE TIMER
UNB.21	JUNTA NYLON	NYLON GASKET
UNB.22	TUERCA M8	NUT
UNB.23	CAMARA PRESOSTATICA	PRESS. CHAMBER
UNB.26	RESISTENCIA 2000W/230V	200W/230V RESISTANCE
UNB.28	RESISTENCIA 3000W 230V	3000W 230V RESISTANCE
UNB.38	TORICA MOTOBOMBA	MOTOR RING
UNB.39	RETEN MOTOBOMBA	MOTOR MECHANICAL SEAL
UNB.41	TURBINA MOTOBOMBA	MOTOR TURBINE
UNB.44	DISTRIBUIDOR SUPERIOR	UPPER DISTRIBUTOR
UNB130	UNION ASTA SUPER. LOGOS/OMEGA	LOGOS/OMEGA UPPER ARM UNION
UNB132	CRUCETA	CROSSHEAD
UNB138	EJE	ROD
UNB139	SOPORTE	SUPPORT
UNB141	COLECTOR INFERIOR	LOWER COLLECTOR
UNB142	CONTACTOR	CONTACTOR
UNB145	MOTOR 0.5 HP SINCRO	SINCRO 0.5 HP MOTOR
UNB162	GIRATORIO LAVADO COMPLETO	COMPLET WASHING GYRATORY
UNB169	PROGRAMADOR	TIMER
UNB171	CONDENSADOR	CONDENSER
UNB172	JUNTA	GASKET
UNB186	CODO	ELBOW
UNB187	JUNTA RESISTENCIA	RESISTANCE GASKET
UNB188	PATA	FOOD
UNB189	REBOSADERO	OVERFLOW
UNB193	FILTRO ANTIPARASITARIO	ANTIPARASITIC FILTER
UNB202	TUERCA	NUT
UNB206	ADAPTADOR	ADAPTER
UNB207	TUERCA	NUT
UNB208	PLACA	PLATE
UNB209	JUNTA	GASKET
UNB210	RACOR 2 SALIDAS	2 OUTLETS RACORD
UNB211	TUERCA FILTRO	FILTER NUT
UNB212	FILTRO	FILTER
UNB213	JUNTA	GASKET
UNB214	JUNTA	GASKET
UNB217	MANGUITO	SLEEVE
UNB221	TAPA MOTOR	MOTOR LID
UNB244	TUBO	PIPE
UNB245	CALDERON	BOILER
V..133	ELECTROVAL.2 VIA LAV.220V	WASH 2 WAYS 220V SOLENOID
V..198	MANDO TERMOSTATO 90°	90° THERMOSTAT HANDLE
V..201	TUBO DESAGÜE 28mm. 1,5mt.	28mm. 1.5mt OUTLET PIPE
V..415	TOMA LAVADORA 1,5M	QUALITY 1.5M.INLET W.FLEX
V..815	TOMA LAVADORA 2 METROS	2 MT.INLET WATER FLEXIBLE
V..825	TOMA LAVADORA 1.5 «ECO»	«ECO»1.5M INLET WA.FLEXIB
V..848	TOMA LAVADORA 1.5M INOX	INOX 1.5M INLET WATER FL.
V..849	TOMA LAV.INOX 2MT.3/4X3/4	INOX 2MT.INLET WATER FLE.
WL1502	DOSIFICADOR ABRILLANTADOR	RINSE AID DOSIMETER

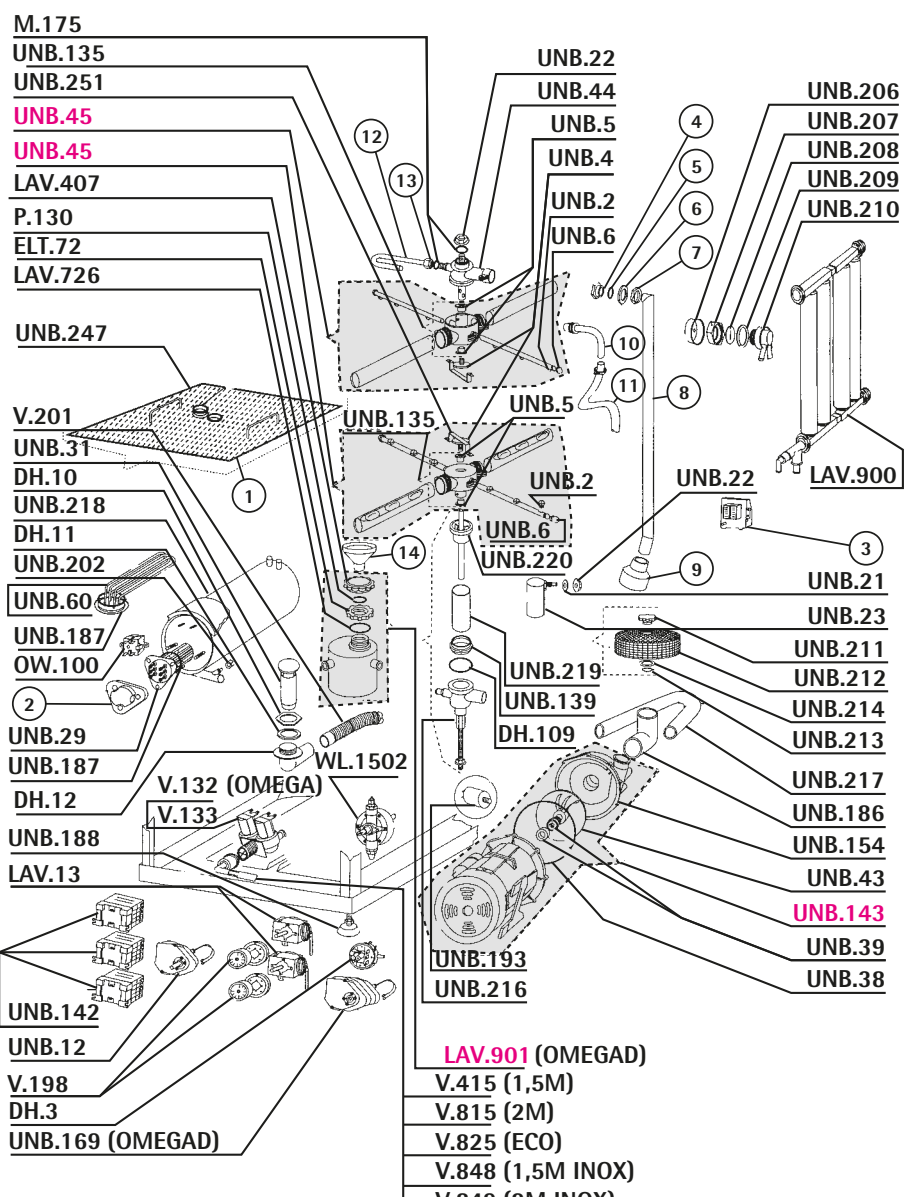


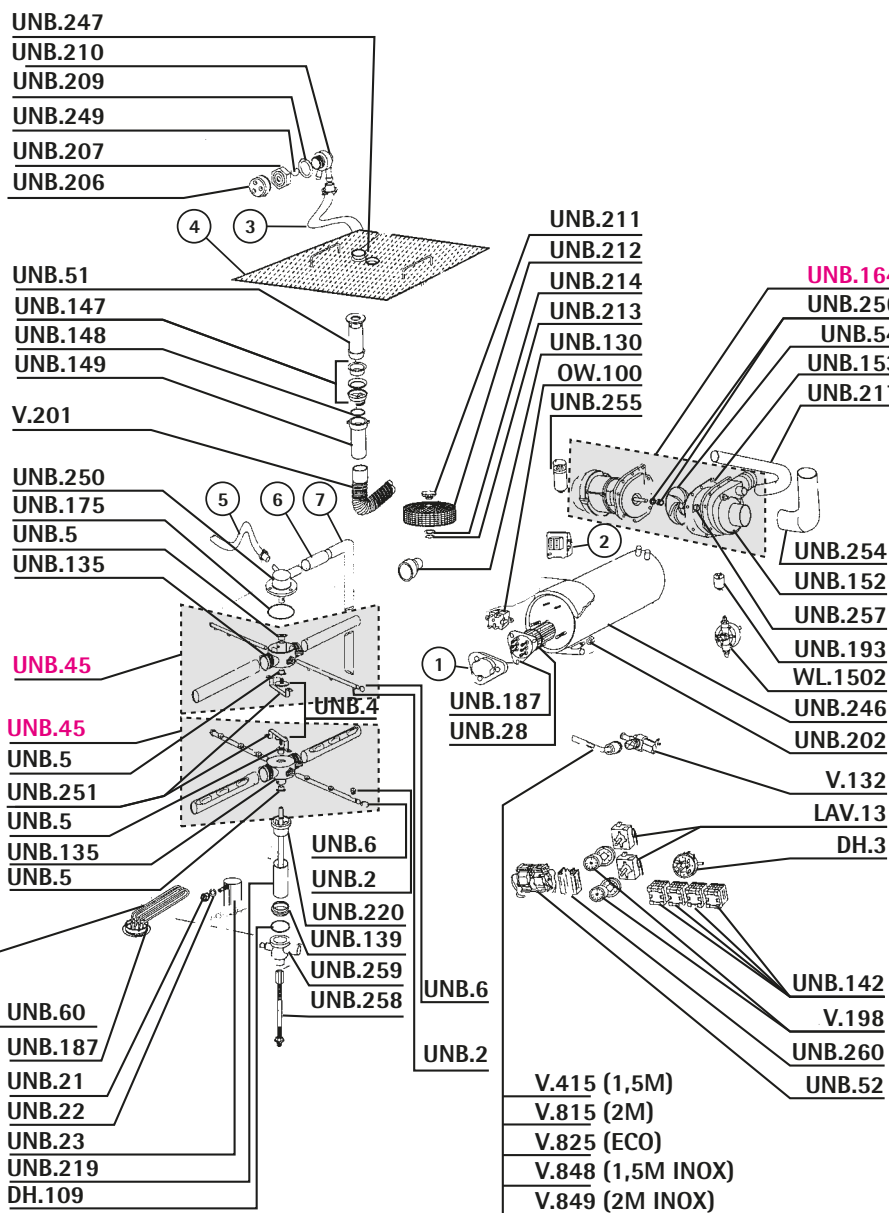
REF.	DESCRIPCIÓN	DESCRIPTION
DH...3	PRESOSTATO SAL	55/30 HORIZ.PRESS.SWITCH
DH..10	TUERCA CODO DESAGÜE	OUTLET ELBOW NUT
DH..11	JUNTA GOMA	RUBBER GASKET
DH..12	CODO DESAGÜE	DRAIN ELBOW
DH.109	TORICA	RING
ELT.72	RACOR DEPOSITO SAL	FITTING SALT CONTAINER
LAV.13	TERMOSTATO CALDERIN 90°	90° BOILER THERMOSTAT
LAV407	TAPON DEPOSITO SAL	SALT TANK CAP
LAV726	JUNTA GOMA BOTELLA SAL	BOTTLE SALT RUBBER GASKET
LAV900	DEPURADOR LAVATAZAS	WASHING CUP PURIFIER
LAV901	DEPOSITO SAL COMPLETO	SALT CONTAINER
M..175	TORICA GOMA EPDM	RUBBER RING
OW.100	TERMOSTATO SEGURIDAD 100°	SAFETY THERMOSTAT 100°
P..130	TORICA EPDM	RING
UNB..2	ROCIADOR ACLARADO	RINSE SPRAY
UNB..4	TORNILLO ASTA	ARM SCREW
UNB..5	CASQUILLO TEFLON	TEFLON CAP
UNB..6	TAPON ASTA 1/8	ARM CAP
UNB.12	PROGRAMADOR CICLO	CYCLE TIMER
UNB.21	JUNTA NYLON	NYLON GASKET
UNB.22	TUERCA M8	NUT
UNB.23	CAMARA PRESOSTATICA	PRESS. CHAMBER
UNB.26	RESISTENCIA 2000W/230V	200W/230V RESISTANCE
UNB.28	RESISTENCIA 3000W 230V	3000W 230V RESISTANCE
UNB.31	SOBRENIVEL	OVERFLOW
UNB.38	TORICA MOTOBOMBA	MOTOR RING
UNB.39	RETEN MOTOBOMBA	MOTOR MECHANICAL SEAL
UNB.41	TURBINA MOTOBOMBA	MOTOR TURBINE
UNB.44	DISTRIBUIDOR SUPERIOR	UPPER DISTRIBUTOR
UNB.46	GIRANTE INFERIOR LOGOS	LOGOS LOWER GIRATORY
UNB.60	RESISTENCIA CUBA	TANK RESISTANCE
UNB132	CRUCETA	CROSSHEAD
UNB139	SOPORTE	SUPPORT
UNB142	CONTACTOR	CONTACTOR
UNB145	MOTOR 0.5 HP SINCRO	SINCRO 0.5 HP MOTOR
UNB169	PROGRAMADOR	TIMER
UNB171	CONDENSADOR	CONDENSER
UNB172	JUNTA	GASKET
UNB186	CODO	ELBOW
UNB187	JUNTA RESISTENCIA	RESISTANCE GASKET
UNB188	PATA	FOOD
UNB193	FILTRO ANTIPARASITARIO	ANTIPARASITIC FILTER
UNB202	TUERCA	NUT
UNB206	ADAPTADOR	ADAPTER
UNB207	TUERCA	NUT
UNB208	PLACA	PLATE
UNB209	JUNTA	GASKET
UNB210	RACOR 2 SALIDAS	2 OUTLETS RACORD
UNB211	TUERCA FILTRO	FILTER NUT
UNB212	FILTRO	FILTER
UNB213	JUNTA	GASKET
UNB214	JUNTA	GASKET
UNB216	SOPORTE GIRATORIO	FIRATORY SUPPORT
UNB217	MANGUITO	SLEEVE
UNB218	CALDERON	BOILER
UNB219	TUBO	PIPE
UNB220	SOPORTE	SUPPORT
UNB221	TAPA MOTOR	MOTOR LID
V..132	ELECTROVAL.1 VIA LAV.220V	WASH 1 WAY 220V SOLENOID
V..133	ELECTROVAL.2 VIA LAV.220V	WASH 2 WAYS 220V SOLENOID
V..198	MANDO TERMOSTATO 90°	90° THERMOSTAT HANDLE
V..201	TUBO DESAGÜE 28mm. 1,5mt.	28mm. 1.5mt OUTLET PIPE
V..415	TOMA LAVADORA 1,5M	QUALITY 1.5M.INLET W.FLEX
V..815	TOMA LAVADORA 2 METROS	2 MT.INLET WATER FLEXIBLE
V..825	TOMA LAVADORA 1.5 «ECO»	«ECO»1.5M INLET WA.FLEXIB
V..848	TOMA LAVADORA 1.5M INOX	INOX 1.5M INLET WATER FL.
V..849	TOMA LAV.INOX 2MT.3/4X3/4	INOX 2MT.INLET WATER FLE.
WL1502	DOSIFICADOR ABRILLANTADOR	RINSE AID DOSIMETER

REF.	DESCRIPCIÓN	DESCRIPTION
DH...3	PRESOSTATO SAL	55/30 HORIZ.PRESS.SWITCH
DH..10	TUERCA CODO DESAGÜE	OUTLET ELBOW NUT
DH..11	JUNTA GOMA	RUBBER GASKET
DH..12	CODO DESAGÜE	DRAIN ELBOW
DH.109	TORICA	RING
ELT.72	RACOR DEPOSITO SAL	FITTING SALT CONTAINER
LAV.13	TERMOSTATO CALDERIN 90°	90° BOILER THERMOSTAT
LAV407	TAPON DEPOSITO SAL	SALT TANK CAP
LAV726	JUNTA GOMA BOTELLA SAL	BOTTLE SALT RUBBER GASKET
LAV900	DEPURADOR LAVATAZAS	WASHING CUP PURIFIER
LAV901	DEPOSITO SAL COMPLETO	SALT CONTAINER
M..175	TORICA GOMA EPDM	RUBBER RING
OW.100	TERMOSTATO SEGURIDAD 100°	SAFETY THERMOSTAT 100°
P..130	TORICA EPDM	RING
UNB..2	ROCIADOR ACLARADO	RINSE SPRAY
UNB..4	TORNILLO ASTA	ARM SCREW
UNB..5	CASQUILLO TEFLON	TEFLON CAP
UNB..6	TAPON ASTA 1/8	ARM CAP
UNB.12	PROGRAMADOR CICLO	CYCLE TIMER
UNB.21	JUNTA NYLON	NYLON GASKET
UNB.22	TUERCA M8	NUT
UNB.23	CAMARA PRESOSTATICA	PRESS. CHAMBER
UNB.26	RESISTENCIA 2000W/230V	2000W/230V RESISTANCE
UNB.28	RESISTENCIA 3000W 230V	3000W 230V RESISTANCE
UNB.31	SOBRENIVEL	OVERFLOW
UNB.38	TORICA MOTOBOMBA	MOTOR RING
UNB.39	RETEN MOTOBOMBA	MOTOR MECHANICAL SEAL
UNB.43	TURBINA MOTOBOMBA	MOTOR TURBINE
UNB.44	DISTRIBUIDOR SUPERIOR	UPPER DISTRIBUTOR
UNB.45	GIR.SUP.LOGOS/OMEGA/COMPACT	LOGOS/OMEGA UPPER GIRATORY
UNB.46	GIRANTE INFERIOR LOGOS	LOGOS LOWER GIRATORY
UNB.60	RESISTENCIA CUBA	TANK RESISTANCE
UNB.132	CRUCETA	CROSSHEAD
UNB.135	CRUZ GIRATORIO COMPACT	COMPACT GIRATORY CROSSHEAD
UNB.139	SOPORTE	SUPPORT
UNB.142	CONTACTOR	CONTACTOR
UNB.143	MOTOR LOGOS/OMEGA 0.75HP	0.75 HP LOGOS/OMEGA MOTOR
UNB.154	TAPA MOTOR LOGOS/OMEGA	LOGOS/OMEGA MOTOR LID
UNB.169	PROGRAMADOR	TIMER
UNB.172	JUNTA	GASKET
UNB.186	CODO	ELBOW
UNB.187	JUNTA RESISTENCIA	RESISTANCE GASKET
UNB.188	PATA	FOOD
UNB.193	FILTRO ANTIPARASITARIO	ANTIPARASITIC FILTER
UNB.202	TUERCA	NUT
UNB.206	ADAPTADOR	ADAPTER
UNB.207	TUERCA	NUT
UNB.208	PLACA	PLATE
UNB.209	JUNTA	GASKET
UNB.210	RACOR 2 SALIDAS	2 OUTLETS RACORD
UNB.211	TUERCA FILTRO	FILTER NUT
UNB.212	FILTRO	FILTER
UNB.213	JUNTA	GASKET
UNB.214	JUNTA	GASKET
UNB.216	SOPORTE GIRATORIO	GIRATORY SUPPORT
UNB.217	MANGUITO	SLEEVE
UNB.219	TUBO	PIPE
UNB.220	SOPORTE	SUPPORT
V..132	ELECTROVAL.1 VIA LAV.220V	WASH 1 WAY 220V SOLENOID
V..133	ELECTROVAL.2 VIA LAV.220V	WASH 2 WAYS 220V SOLENOID
V..198	MANDO TERMOSTATO 90°	90° THERMOSTAT HANDLE
V..201	TUBO DESAGÜE 28mm. 1,5mt.	28mm. 1.5mt OUTLET PIPE
V..415	TOMA LAVADORA 1,5M	QUALITY 1.5M.INLET W.FLEX
V..815	TOMA LAVADORA 2 METROS	2 MT.INLET WATER FLEXIBLE
V..825	TOMA LAVADORA 1.5 «ECO»	«ECO»-1.5M INLET WA.FLEXIB
V..848	TOMA LAVADORA 1.5M INOX	INOX 1.5M INLET WATER FL.
V..849	TOMA LAV.INOX 2MT.3/4X3/4	INOX 2MT.INLET WATER FLE.
WL1502	DOSIFICADOR ABRILLANTADOR	RINSE AID DOSIMETER

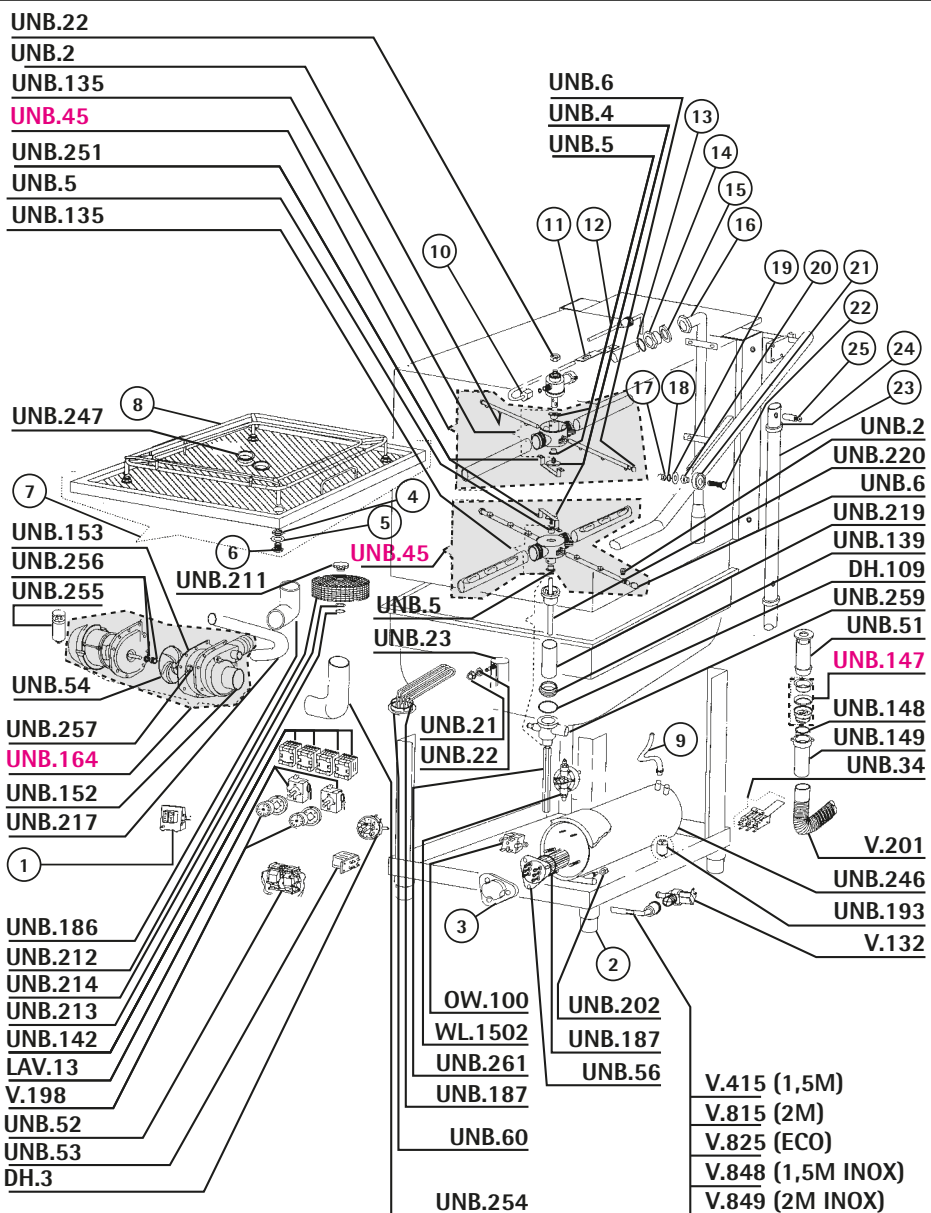


REF.	DESCRIPCIÓN	DESCRIPTION
DH...3	PRESOSTATO SAL	55/30 HORIZ.PRESS.SWITCH
DH..10	TUERCA CODO DESAGÜE	OUTLET ELBOW NUT
DH..11	JUNTA GOMA	RUBBER GASKET
DH..12	CODO DESAGÜE	DRAIN ELBOW
DH.109	TORICA	RING
ELT.72	RACOR DEPOSITO SAL	FITTING SALT CONTAINER
LAV.13	TERMOSTATO CALDERIN 90°	90° BOILER THERMOSTAT
LAV407	TAPON DEPOSITO SAL	SALT TANK CAP
LAV726	JUNTA GOMA BOTELLA SAL	BOTTLE SALT RUBBER GASKET
LAV900	DEPURADOR LAVATAZAS	WASHING CUP PURIFIER
LAV901	DEPOSITO SAL COMPLETO	SALT CONTAINER
M..175	TORICA GOMA EPDM	RUBBER RING
OW.100	TERMOSTATO SEGURIDAD 100°	SAFETY THERMOSTAT 100°
P..130	TORICA EPDM	RING
UNB..2	ROCIADOR ACLARADO	RINSE SPRAY
UNB..4	TORNILLO ASTA	ARM SCREW
UNB..5	CASQUILLO TEFLON	TEFLON CAP
UNB..6	TAPON ASTA 1/8	ARM CAP
UNB.12	PROGRAMADOR CICLO	CYCLE TIMER
UNB.21	JUNTA NYLON	NYLON GASKET
UNB.22	TUERCA M8	NUT
UNB.23	CAMARA PRESOSTATICA	PRESS. CHAMBER
UNB.29	RESISTENCIA 4500W 230/400V	4500W 230/400V RESISTANCE
UNB.31	SOBRENIVEL	OVERFLOW
UNB.38	TORICA MOTOBOMBA	MOTOR RING
UNB.39	RETEN MOTOBOMBA	MOTOR MECHANICAL SEAL
UNB.43	TURBINA MOTOBOMBA	MOTOR TURBINE
UNB.44	DISTRIBUIDOR SUPERIOR	UPPER DISTRIBUTOR
UNB.45	GIR.SUP.LOGOS/OMEGA/COMPACT	LOGOS/OMEGA UPPER GIRATORY
UNB.60	RESISTENCIA CUBA	TANK RESISTANCE
UNB.135	CRUZ GIRATORIO COMPACT	COMPACT GIRATORY CROSSHEAD
UNB.139	SOPORTE	SUPPORT
UNB.142	CONTACTOR	CONTACTOR
UNB.143	MOTOR LOGOS/OMEGA 0.75HP	0.75 HP LOGOS/OMEGA MOTOR
UNB.154	TAPA MOTOR LOGOS/OMEGA	LOGOS/OMEGA MOTOR LID
UNB.169	PROGRAMADOR	TIMER
UNB.186	CODO	ELBOW
UNB.187	JUNTA RESISTENCIA	RESISTANCE GASKET
UNB.188	PATA	FOOD
UNB.193	FILTRO ANTIPARASITARIO	ANTIPARASITIC FILTER
UNB.202	TUERCA	NUT
UNB.206	ADAPTADOR	ADAPTER
UNB.207	TUERCA	NUT
UNB.208	PLACA	PLATE
UNB.209	JUNTA	GASKET
UNB.210	RACOR 2 SALIDAS	2 OUTLETS RACORD
UNB.211	TUERCA FILTRO	FILTER NUT
UNB.212	FILTRO	FILTER
UNB.213	JUNTA	GASKET
UNB.214	JUNTA	GASKET
UNB.216	SOPORTE GIRATORIO	GIRATORY SUPPORT
UNB.217	MANGUITO	SLEEVE
UNB.218	CALDERON	BOILER
UNB.219	TUBO	PIPE
UNB.220	SOPORTE	SUPPORT
UNB.247	JUNTAS	GASKET
UNB.251	BRIDA	CLASP
V..132	ELECTROVAL.1 VIA LAV.220V	WASH 1 WAY 220V SOLENOID
V..133	ELECTROVAL.2 VIA LAV.220V	WASH 2 WAYS 220V SOLENOID
V..198	MANDO TERMOSTATO 90°	90° THERMOSTAT HANDLE
V..201	TUBO DESAGÜE 28mm. 1,5mt.	28mm. 1.5mt OUTLET PIPE
V..415	TOMA LAVADORA 1,5M	QUALITY 1.5M.INLET W.FLEX
V..815	TOMA LAVADORA 2 METROS	2 MT.INLET WATER FLEXIBLE
V..825	TOMA LAVADORA 1.5 «ECO»	«ECO»-1.5M INLET WA.FLEXIB
V..848	TOMA LAVADORA 1.5M INOX	INOX 1.5M INLET WATER FL.
V..849	TOMA LAV.INOX 2MT.3/4X3/4	INOX 2MT.INLET WATER FLE.
WL1502	DOSIFICADOR ABRILLANTADOR	RINSE AID DOSIMETER



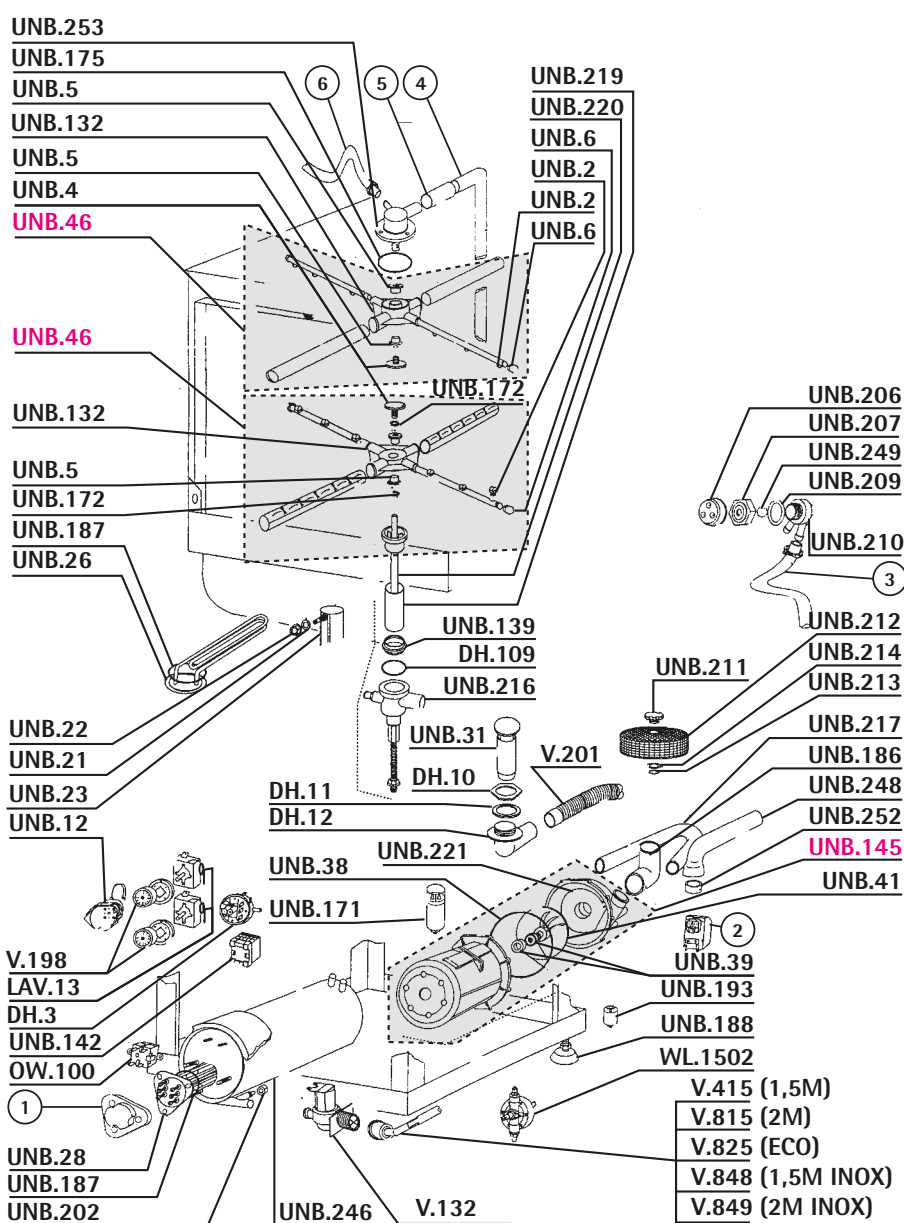


REF.	DESCRIPCIÓN	DESCRIPTION
DH...3	PRESOSTATO SAL TORICA	55/30 HORIZ.PRESS.SWITCH RING
LAV.13	TERMOSTATO CALDERIN 90°	90° BOILER THERMOSTAT
OW.100	TERMOSTATO SEGURIDAD 100°	SAFETY THERMOSTAT 100°
UNB..2	ROCIADOR ACLARADO	RINSE SPRAY
UNB..4	TORNILLO ASTA	ARM SCREW
UNB..5	CASQUILLO TEFLON	TEFLON CAP
UNB..6	TAPON ASTA 1/8	ARM CAP
UNB.21	JUNTA NYLON	NYLON GASKET
UNB.22	TUERCA M8	NUT
UNB.23	CAMARA PRESOSTATICA	PRESS. CHAMBER
UNB.28	RESISTENCIA 3000W 230V	3000W 230V RESISTANCE
UNB.45	GIR.SUP.LOGOS/OMEGA/COMPACT	LOGOS/OMEGA UPPER GIRATORY
UNB.51	SOBRENIVEL	OVERFLOW
UNB.52	PROGRAMADOR	TIMER
UNB.54	TURBINA MOTOR	MOTOR TURBINE
UNB.60	RESISTENCIA CUBA	TANK RESISTANCE
UNB130	UNION ASTA SUPER. LOGOS/OMEGA	LOGOS/OMEGA UPPER ARM UNION
UNB135	CRUZ GIRATORIO COMPACT	COMPACT GIRATORY CROSSHEAD
UNB139	SOPORTE	SUPPORT
UNB142	CONTACTOR	CONTACTOR
UNB147	DESCARGA	OUTLET
UNB148	JUNTA GOMA	RUBBER GASKET
UNB149	PORTAGOMA	RUBBERHOLDER
UNB152	TAPA MOTOR COMPACT	COMPACT MOTOR LID
UNB153	JUNTA TAPA MOTOR COMPACT	COMPACT MOTOR GASKET
UNB164	MOTOR COMPACT	COMPACT MOTOR
UNB175	JUNTA	GASKET
UNB187	JUNTA RESISTENCIA	RESISTANCE GASKET
UNB193	FILTRO ANTIPARASITARIO	ANTIPARASITIC FILTER
UNB202	TUERCA	NUT
UNB206	ADAPTADOR	ADAPTER
UNB207	TUERCA	NUT
UNB209	JUNTA	GASKET
UNB210	RACOR 2 SALIDAS	2 OUTLETS RACORD
UNB211	TUERCA FILTRO	FILTER NUT
UNB212	FILTRO	FILTER
UNB213	JUNTA	GASKET
UNB214	JUNTA	GASKET
UNB217	MANGUITO	SLEEVE
UNB219	TUBO	PIPE
UNB220	SOPORTE	SUPPORT
UNB246	CALDERON	BOILER
UNB247	JUNTAS	GASKET
UNB249	BOLA	BALL
UNB250	DISTRIBUIDOR SUPERIOR	UPPER DISTRIBUTOR
UNB251	BRIDA	CLASP
UNB254	CODO	ELBOW
UNB255	CONDENSADOR	CONDENSER
UNB256	RET...N MOTOR	MECHANICAL SEAL
UNB257	TUERCA	NUT
UNB258	EJE	ROD
UNB259	SOPORTE	SUPPORT
UNB260	REL...	RELAY
V..132	ELECTROVAL.1 VIA LAV.220V	WASH 1 WAY 220V SOLENOID
V..198	MANDO TERMOSTATO 90°	90° THERMOSTAT HANDLE
V..201	TUBO DESAGÜE 28mm. 1,5mt.	28mm. 1.5mt OUTLET PIPE
V..415	TOMA LAVADORA 1,5M	QUALITY 1.5M.INLET W.FLEX
V..815	TOMA LAVADORA 2 METROS	2 MT.INLET WATER FLEXIBLE
V..825	TOMA LAVADORA 1.5 «ECO»	«ECO»1.5M INLET WA.FLEXIB
V..848	TOMA LAVADORA 1.5M INOX	INOX 1.5M INLET WATER FL.
V..849	TOMA LAV.INOX 2MT.3/4X3/4	INOX 2MT.INLET WATER FLE.
WL1502	DOSIFICADOR ABRILLANTADOR	RINSE AID DOSIMETER

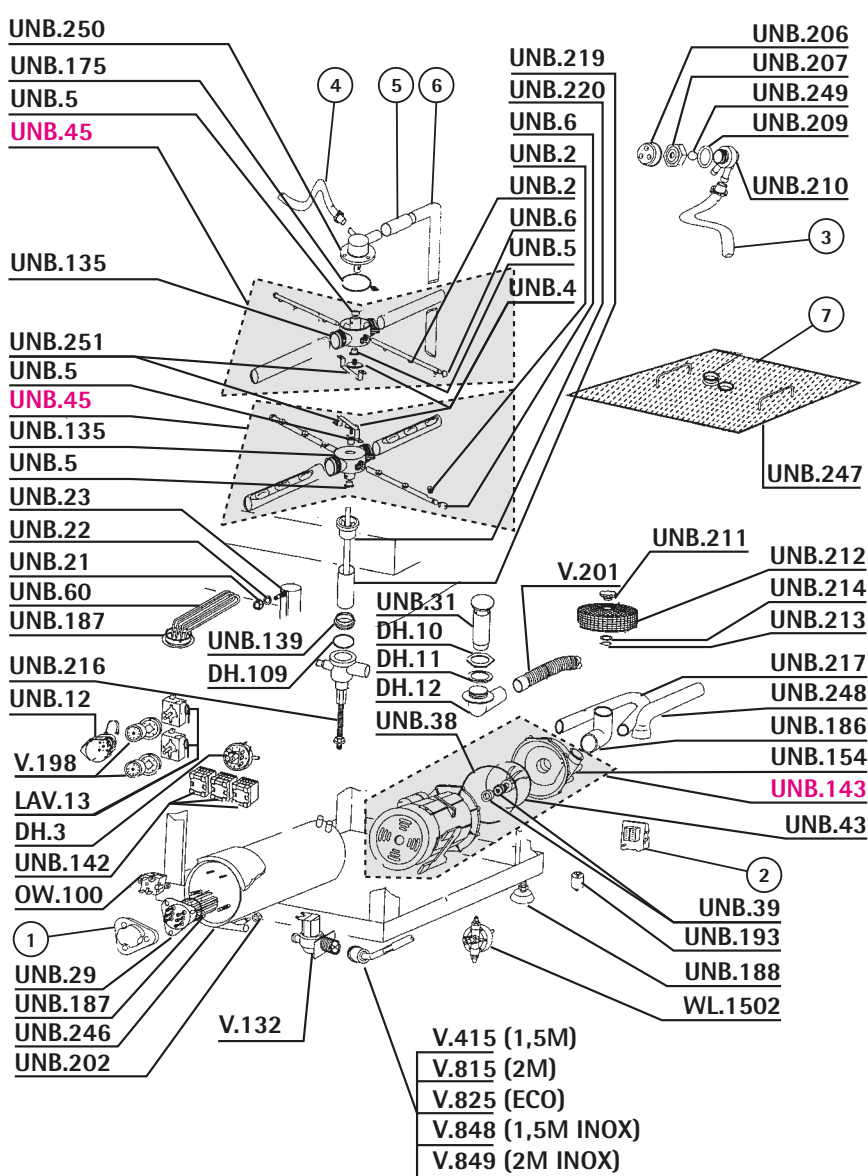


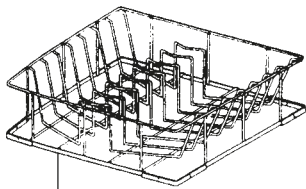
REF.	DESCRIPCIÓN	DESCRIPTION
DH...3	PRESOSTATO SAL TORICA	55/30 HORIZ.PRESS.SWITCH RING
DH.109	TERMOSTATO CALDERIN 90°	90° BOILER THERMOSTAT
LAV.13	TERMOSTATO SEGURIDAD 100°	SAFETY THERMOSTAT 100°
OW.100	ROCIADOR ACLARADO	RINSE SPRAY
UNB..2	TORNILLO ASTA	ARM SCREW
UNB..4	CASQUILLO TEFLON	TEFLON CAP
UNB..6	TAPON ASTA 1/8	ARM CAP
UNB.21	JUNTA NYLON	NYLON GASKET
UNB.22	TUERCA M8	NUT
UNB.23	CAMARA PRESOSTATICA	PRESS. CHAMBER
UNB.34	MICRO PUERTA	DOOR MICROSWITCH
UNB.45	GIR.SUP.LOGOS/OMEGA/COMPACT	LOGOS/OMEGA UPPER GIRATORY
UNB.51	SOBRENIVEL	OVERFLOW
UNB.52	PROGRAMADOR	TIMER
UNB.53	RELE	RELAY
UNB.54	TURBINA MOTOR	MOTOR TURBINE
UNB.56	RESISTENCIA 6000W/400V VAINA	RESISTANCE 6000W/400V BULB
UNB.60	RESISTENCIA CUBA	TANK RESISTANCE
UNB135	CRUZ GIRATORIO COMPACT	COMPACT GIRATORY CROSSHEAD
UNB139	SOPORTE	SUPPORT
UNB142	CONTACTOR	CONTACTOR
UNB147	DESCARGA	OUTLET
UNB148	JUNTA GOMA	RUBBER GASKET
UNB149	PORTAGOMA	RUBERHOLDER
UNB152	TAPA MOTOR COMPACT	COMPACT MOTOR LID
UNB153	JUNTA TAPA MOTOR COMPACT	COMPACT MOTOR GASKET
UNB164	MOTOR COMPACT	COMPACT MOTOR
UNB186	CODO	ELBOW
UNB187	JUNTA RESISTENCIA	RESISTANCE GASKET
UNB193	FILTRO	FILTER
UNB202	TUERCA	NUT
UNB211	TUERCA FILTRO	FILTER NUT
UNB212	FILTRO	FILTER
UNB213	JUNTA	GASKET
UNB214	JUNTA	GASKET
UNB217	MANGUITO	SLEEVE
UNB219	TUBO	PIPE
UNB220	SOPORTE	SUPPORT
UNB246	CALDERON	BOILER
UNB247	JUNTAS	GASKET
UNB251	BRIDA	CLASP
UNB254	CODO	ELBOW
UNB255	CONDENSADOR	CONDENSER
UNB256	RET...N MOTOR	MECHANICAL SEAL
UNB257	TUERCA	NUT
UNB259	SOPORTE	SUPPORT
UNB261	EJE	ROD
V..132	ELECTROVAL.1 VIA LAV.220V	WASH 1 WAY 220V SOLENOID
V..198	MANDO TERMOSTATO 90°	90° THERMOSTAT HANDLE
V..201	TUBO DESAGÜE 28mm. 1,5mt.	28mm. 1.5mt OUTLET PIPE
V..415	TOMA LAVADORA 1,5M	QUALITY 1.5M.INLET W.FLEX
V..815	TOMA LAVADORA 2 METROS	2 MT.INLET WATER FLEXIBLE
V..825	TOMA LAVADORA 1.5 «ECO»	«ECO»1.5M INLET WA.FLEXIB
V..848	TOMA LAVADORA 1.5M INOX	INOX 1.5M INLET WATER FL.
V..849	TOMA LAV.INOX 2MT.3/4X3/4	INOX 2MT.INLET WATER FLE.
WL1502	DOSIFICADOR ABRILLANTADOR	RINSE AID DOSIMETER

REF.	DESCRIPCIÓN	DESCRIPTION
DH...3	PRESOSTATO SAL	55/30 HORIZ.PRESS.SWITCH
DH..10	TUERCA CODO DESAGÜE	OUTLET ELBOW NUT
DH..11	JUNTA GOMA	RUBBER GASKET
DH..12	CODO DESAGÜE	DRAIN ELBOW
DH.109	TORICA	RING
LAV.13	TERMOSTATO CALDERIN 90°	90° BOILER THERMOSTAT
OW.100	TERMOSTATO SEGURIDAD 100°	SAFETY THERMOSTAT 100°
UNB..2	ROCIADOR ACLARADO	RINSE SPRAY
UNB..4	TORNILLO ASTA	ARM SCREW
UNB..5	CASQUILLO TEFLON	TEFLON CAP
UNB..6	TAPON ASTA 1/8	ARM CAP
UNB.12	PROGRAMADOR CICLO	CYCLE TIMER
UNB.21	JUNTA NYLON	NYLON GASKET
UNB.22	TUERCA M8	NUT
UNB.23	CAMARA PRESOSTATICA	PRESS. CHAMBER
UNB.26	RESISTENCIA 2000W/230V	200W/230V RESISTANCE
UNB.28	RESISTENCIA 3000W 230V	3000W 230V RESISTANCE
UNB.31	SOBRENIVEL	OVERFLOW
UNB.38	TORICA MOTOBOMBA	MOTOR RING
UNB.39	RETEN MOTOBOMBA	MOTOR MECHANICAL SEAL
UNB.41	TURBINA MOTOBOMBA	MOTOR TURBINE
UNB.46	GIRANTE INFERIOR LOGOS	LOGOS LOWER GIRATORY
UNB.132	CRUCETA	CROSSHEAD
UNB.139	SOPORTE	SUPPORT
UNB.142	CONTACTOR	CONTACTOR
UNB.145	MOTOR 0.5 HP SINCR0	SINCR0 0,5 HP MOTOR
UNB.171	CONDENSADOR	CONDENSER
UNB.172	JUNTA	GASKET
UNB.175	JUNTA	GASKET
UNB.186	CODO	ELBOW
UNB.187	JUNTA RESISTENCIA	RESISTANCE GASKET
UNB.188	PATA	FOOD
UNB.193	FILTRO ANTIPARASITARIO	ANTPARASITIC FILTER
UNB.202	TUERCA	NUT
UNB.206	ADAPTADOR	ADAPTER
UNB.207	TUERCA	NUT
UNB.209	JUNTA	GASKET
UNB.210	RACOR 2 SALIDAS	2 OUTLETS RACORD
UNB.211	TUERCA FILTRO	FILTER NUT
UNB.212	FILTRO	FILTER
UNB.213	JUNTA	GASKET
UNB.214	JUNTA	GASKET
UNB.216	SOPORTE GIRATORIO	FIRATORY SUPPORT
UNB.217	MANGUITO	SLEEVE
UNB.219	TUBO	PIPE
UNB.220	SOPORTE	SUPPORT
UNB.221	TAPA MOTOR	MOTOR LID
UNB.246	CALDERON	BOILER
UNB.248	MANGUITO	SLEEVE
UNB.249	BOLA	BALL
UNB.252	ADAPTADOR	ADAPTOR
UNB.253	COLECTOR SUPERIOR	UPPER COLLECTOR
V..132	ELECTROVAL.1 VIA LAV.220V	WASH 1 WAY 220V SOLENOID
V..198	MANDO TERMOSTATO 90°	90° THERMOSTAT HANDLE
V..201	TUBO DESAGÜE 28mm. 1.5mt.	28mm. 1.5mt OUTLET PIPE
V..415	TOMA LAVADORA 1,5M	QUALITY 1.5M.INLET W.FLEX
V..815	TOMA LAVADORA 2 METROS	2 MT.INLET WATER FLEXIBLE
V..825	TOMA LAVADORA 1.5 «ECO»	«ECO»1.5M INLET WA.FLEXIB
V..848	TOMA LAVADORA 1.5M INOX	INOX 1.5M INLET WATER FL.
V..849	TOMA LAV.INOX 2MT.3/4X3/4	INOX 2MT.INLET WATER FLE.
WL.1502	DOSIFICADOR ABRILLANTADOR	RINSE AID DOSIMETER

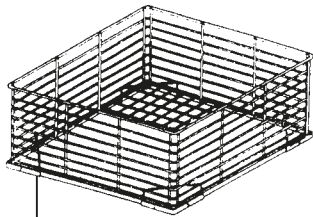


REF.	DESCRIPCIÓN	DESCRIPTION
DH...3	PRESOSTATO SAL	55/30 HORIZ.PRESS.SWITCH
DH..10	TUERCA CODO DESAGÜE	OUTLET ELBOW NUT
DH..11	JUNTA GOMA	RUBBER GASKET
DH..12	CODO DESAGÜE	DRAIN ELBOW
DH.109	TORICA	RING
LAV.13	TERMOSTATO CALDERIN 90°	9° BOILER THERMOSTAT
OW.100	TERMOSTATO SEGURIDAD 100°	SAFETY THERMOSTAT 100°
UNB..2	ROCIADOR ACLARADO	RINSE SPRAY
UNB..4	TORNILLO ASTA	ARM SCREW
UNB..5	CASQUILLO TEFLON	TEFLON CAP
UNB..6	TAPON ASTA 1/8	ARM CAP
UNB.12	PROGRAMADOR CICLO	CYCLE TIMER
UNB.21	JUNTA NYLON	NYLON GASKET
UNB.22	TUERCA M8	NUT
UNB.23	CAMARA PRESOSTATICA	PRESS. CHAMBER
UNB.29	RESISTENCIA 4500W 230/400V	4500W 230/400V RESISTANCE
UNB.31	SOBRENIVEL	OVERFLOW
UNB.38	TORICA MOTOBOMBA	MOTOR RING
UNB.39	RETEN MOTOBOMBA	MOTOR MECHANICAL SEAL
UNB.43	TURBINA MOTOBOMBA	MOTOR TURBINE
UNB.45	GIR.SUP.LOGOS/OMEGA/COMPACT	LOGOS/OMEGA UPPER GIRATORY
UNB.60	RESISTENCIA CUBA	TANK RESISTANCE
UNB.135	CRUZ GIRATORIO COMPACT	COMPACT GIRATORY CROSSHEAD
UNB.139	SOPORTE	SUPPORT
UNB.142	CONTACTOR	CONTACTOR
UNB.143	MOTOR LOGOS/OMEGA 0,75HP	0,75 HP LOGOS/OMEGA MOTOR
UNB.154	TAPA MOTOR LOGOS/OMEGA	LOGOS/OMEGA MOTOR LID
UNB.175	JUNTA	GASKET
UNB.186	CODO	ELBOW
UNB.187	JUNTA RESISTENCIA	RESISTANCE GASKET
UNB.188	PATA	FOOD
UNB.193	FILTRO ANTIPARASITARIO	ANTPARASITIC FILTER
UNB.202	TUERCA	NUT
UNB.206	ADAPTADOR	ADAPTER
UNB.207	TUERCA	NUT
UNB.209	JUNTA	GASKET
UNB.210	RACOR 2 SALIDAS	2 OUTLETS RACORD
UNB.211	TUERCA FILTRO	FILTER NUT
UNB.212	FILTRO	FILTER
UNB.213	JUNTA	GASKET
UNB.214	JUNTA	GASKET
UNB.216	SOPORTE GIRATORIO	FIRATORY SUPPORT
UNB.217	MANGUITO	SLEEVE
UNB.219	TUBO	PIPE
UNB.220	SOPORTE	SUPPORT
UNB.246	CALDERON	BOILER
UNB.247	JUNTAS	GASKET
UNB.248	MANGUITO	SLEEVE
UNB.249	BOLA	BALL
UNB.250	DISTRIBUIDOR SUPERIOR	UPPER DISTRIBUTOR
UNB.251	BRIDA	CLASP
V..132	ELECTROVAL.1 VIA LAV.220V	WASH 1 WAY 220V SOLENOID
V..198	MANDO TERMOSTATO 90°	90° THERMOSTAT HANDLE
V..201	TUBO DESAGÜE 28mm. 1.5mt.	28mm. 1.5mt OUTLET PIPE
V..415	TOMA LAVADORA 1,5M	QUALITY 1.5M.INLET W.FLEX
V..815	TOMA LAVADORA 2 METROS	2 MT.INLET WATER FLEXIBLE
V..825	TOMA LAVADORA 1.5 «ECO»	«ECO»1.5M INLET WA.FLEXIB
V..848	TOMA LAVADORA 1.5M INOX	INOX 1.5M INLET WATER FL.
V..849	TOMA LAV.INOX 2MT.3/4X3/4	INOX 2MT.INLET WATER FLE.
WL.1502	DOSIFICADOR ABRILLANTADOR	RINSE AID DOSIMETER



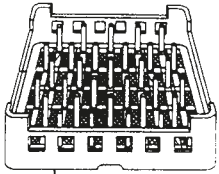


V.80 (MIX/TOP)
V.29 (ERGON)
WL.3520 (SINCRO)

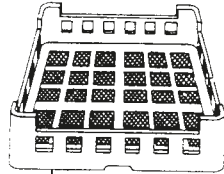


WL.3510 (MIX/TOP)
WL.3511 (ERGON)
WL.3512 (SINCRO)

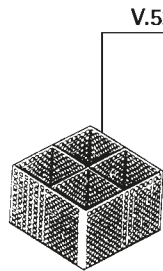
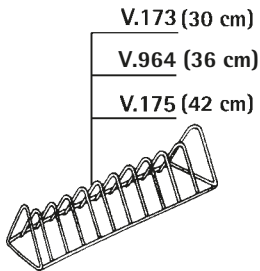
GAMA COMPLETA
COMPLET RANGE PAG.34



V.1252
(LOGOS/OMEGA/COMPACT)



V.1250
(LOGOS/OMEGA/COMPACT)



V.526



V.32



V.610

REF.	DESCRIPCIÓN	DESCRIPTION
V...29	CESTO CUADRO PLATOS 40x40	40X40 SQUARE PLATE BASKET
V...32	CESTO CUCHARAS PLASTICO	PLASTIC SPOON BASKET
V...80	CESTO CUADRO PLATOS 36x36	36X36 DISH BASKET
V..173	INSERTO PLATOS 30CMT.	30CMT DISHES INSERT
V..175	INSERTO PLATOS 42CMT.	42CMT DISHES INSERT
V..526	CESTO CUCHARAS CUADRADO	SQUARE SPOON BASKET
V..610	CANTONERA CESTO CUADRADO	BASKET SQUARE CORNERPIECE
V..964	INSERTO PLATOS 36cm	36cm DISHES INSERT
V.1250	CESTA VASOS 50X50	50X50 GLASSES RACK
V.1252	CEST.PLATOS-BANDEJA 50X50	PLATES AND TRAYS RACK
WL3510	CESTO CUADRO VASOS 36x36	36X36 GLASSES BASKET
WL3511	CESTO CUADRO VASOS 40x40	40X40 GLASSES BASKET
WL3512	CESTO CUADRO VASOS 45x45	45X45 GLASSES BASKET
WL3520	CESTO CUADRO PLATOS 45x45	45X45 DISH BASKET

Índice WINTERHALTER index

Sistema lavado-aclarado	Wash and rinse systems	1519
Sistema lavado-aclarado	Wash and rinse systems	1520
Sistema lavado-aclarado / Interruptor / Piloto	Wash and rinse systems / Switches / Lamps	1521
Interruptores / Pilotos	Switches / Lamps	1522
Interruptores / Pilotos	Switches / Lamps	1523
Botoneras / Centralitas / Temporizadores	Dosing devices / Electrónic boxes / Timers	1524
Presostatos Termostatos	Pressure switches / Thermostats	1525
Termostatos seguridad / Microinterruptores	Safety Thermostats / Microswitches	1526
Microinterruptores / Interrutores magnéticos	Micro switches / Magnetic switches	1527
Electroválvula	Solenoid	1528
Relés / Contactores	Relays / Contactors	1529
Fusibles / Relés temporizadores / Dodificadores abrillantador	Fuses / Timer relays / Rinse aid dosimeter	1530
Dosificadores peristálticos / Resistencias cuba	Dosing pumps / Tank heating elements	1531
Resistencias cuba / Calderín	Tank / Boiler heating elements	1532
Resistencias / Junta calderín	Boiler heating elements / Gaskets	1533
Transformador / Motoreductor / Bombas	Transformer / Gear motor / Pumps	1534
Bombas presión	Pressure pumps	1535
Bombas presión (recambios)	Pressure pumps /components)	1536

Lavado Wash



Código Code	Descripción Description	Modelo Model	Código original Original code
WIN.1	Negro / Gris Black / Grey	GS54, GS59, GS510, GS22, GS23, GS27B, GS23H, GS25, GS27, GS28, GS32, GS34, GS40, GS41, GS41/3, GS61, GS62, GS63, GS64, GS65, GS70, GS71, GS80, GS90, GS100, GS405	2910528
WIN.2	Blanco / Negro White / Black		2910527
WIN.3	Gris / Negro Grey / Negro		2910522
WIN.4	Gris / Gris Grey / Grey		2910520
WIN.5	Negro / Blanco Black / White		2910538



Código Code	Descripción Description	Modelo Model	Código original Original code
WIN.7	Tuerca Union nut	GS14, GS15, GS29, GS29B	620018084
WIN.8	Rompechorros Cross slot nozzle		620018094
WIN.9	Rociador lavado Wash nozzle compl.	GS14, GS14E, GS15, GS15E, GS41/5	62002465
WIN.10	Rociador Slot nozzle	GS23H	2910514



WIN.6

Código Code	Descripción Description	Modelo Model	Código original Original code
WIN.6	Rociador lavado Wash nozzle, compl.	GS8, GS10/2, GS12, GS41/4, GS72, GS81, GS100/1, GS42	2910505, 60002465, 2910504, 610030324, 610030314



Código Code	Descripción Description	Modelo Model	Código original Original code
WIN.11	Rompechorros Cross slot nozzle	GS24	620011534
WIN.12	Rompechorros Slot nozzle		620011734
WIN.13	Tuerca Union nut		620011744
WIN.14	Rociador Slot nozzle	GS25, GS28	2910515



Código Code	Descripción Description	Modelo Model	Código original Original code
WIN.15	Junta brazo lavado O-ring wash arm	GS54, GS59, GS510, GS22, GS23, GS27B, GS23H, GS25, GS27, GS28, GS32, GS34, GS40, GS41, GS41/3, GS61, GS62, GS63, GS64, GS65, GS70, GS71, GS80, GS90, GS100, GS405, GS23H, GS25, GS28	2707016
WIN.16	Brida brazo lavado Catch wash arm		2804040
WIN.17	Junta tapón O-ring end piece		2707039
WIN.18	Brida tapón Catch end piece		2804041



Código Code	Descripción Description	Modelo Model	Código original Original code
WIN.20	Junta O-ring	GS14, GS15, GS29, GS29B, GS14, GS14E, GS15, GS15E, GS41/5, GS42	2707049
WIN.21	Racor 38x34 Locking nut 38x34		3501198
WIN.22	Tuerca bloqueo 38x76 Locking nut 38x76		610022703



Código Code	Descripción Description	Modelo Model	Código original Original code
WIN.15	Junta brazo lavado O-ring wash arm	GS8, GS10/2, GS12, GS41/4, GS72, GS81, GS100/1	2707016
WIN.19	Brida brazo lavado Catch wash arm		2804042
WIN.17	Junta tapón O-ring end piece		2707039
WIN.18	Brida tapón Catch end piece		2804041

Aclarado Rinse



Código Code	Descripción Description	Modelo Model	Código original Original code
WIN.23	Rociador aclarado Rinse nozzle cap	GS4-GS12, GS22, GS25, GS32, GS34, GS40, GS41, GS41/3, GS41/4, GS61-GS65, GS70, GS71, GS72, GS80, GS81, GS90, GS100, GS405	2910201 65002765
WIN.24	Rompechorros Rinse nozzle switch		2910200 65002764
WIN.25	Brida Elbow		5510008

Aclarado
Rinse



Código Code	Descripción Description	Modelo Model	Código original Original code
WIN.13	Tuerca Union nut	GS14, GS14E, GS15, GS15E, GS23H, GS24, GS27B, GS29, GS29B, GS100/1	62001174
WIN.26	Adaptador aclarado Rinse jet adapter		62001176
WIN.27	Rompechorros Rinse nozzle holder		2910307, 65002755
WIN.28	Rociador Rinse nozzle cap		2910308, 65002754
WIN.29	Reductor Counter part		—



Código Code	Descripción Description	Modelo Model	Código original Original code
WIN.32	Rociador Flat-spray nozzle	GS8, GS10/2, GS14, GS14E, GS15, GS15E, GS23H, GS24, GS28, GS29, GS41/5, GS41/4, GS42, GS72, GS100/1	2910312
WIN.33	Rociador Rinse nozzle	GS501, GS502, GS515	62002820
WIN.34	Tuerca Union nut		62002812

Interruptores / Pilotos
Switches / Lamps



Código Code	Descripción Description	Modelo Model	Código original Original code
WIN.35	Interruptor Switch 2-pole	GS8, GS10/2, GS14, GS14E, GS15, GS15E, GS24, GS29, GS29B, GSD41/4, GS41/5, GS42, GS72, GS100/1, GSR36, GSR36E, GS501	3124185, 3124131
WIN.36	Interruptor luminoso Switch 2-pole + lamp		3124165
WIN.37	Interruptor luminoso Switch 2-pole + lamp		3124166
WIN.38	Interruptor luminoso Switch 2-pole + lamp		3124128



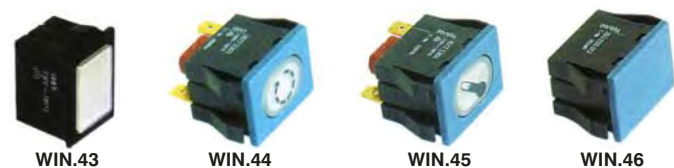
Código Code	Descripción Description	Modelo Model	Código original Original code
WIN.30	Rociador Rinse nozzle cap	GS23, GS27, GS23H, GS41/5, GS42, GS501, GS502, GS515	650027654, 2910231
WIN.31	Rompechorros Rinse swirl		650027644, 2910230



Código Code	Descripción Description	Modelo Model	Código original Original code
WIN.39	Interruptor luminoso 4 polos Switch 4-pole + lamp	GS8, GS10/2, GS14, GS14E, GS15, GS15E, GS24, GS29, GS29B, GSD41/4, GS41/5, GS42, GS72, GS100/1, GSR36, GSR36E, GS501	3124227
WIN.40	Pulsador luminoso 1 polos Pushbutton 1-pole + lamp		3124153
WIN.41	Pulsador luminoso 1 polos Pushbutton 1-pole + lamp		3124130
WIN.42	Pulsador luminoso 1 polos Pushbutton 1-pole + lamp		3124129



Código Code	Descripción Description	Modelo Model	Código original Original code
WIN.47	Interruptor luminoso blanco Switch 2-pole lighted lucent	G54, GS23, GS23H	3124034
WIN.48	Pulsador luminoso blanco Pushbutton 2-pole lighted lucent		3124035
WIN.49	Piloto blanco 230V Signal lamp 230V lucent		3108017



Código Code	Descripción Description	Modelo Model	Código original Original code
WIN.43	Piloto blanco Lamp lucent	GS8, GS10/2, GS14, GS14E, GS15, GS15E, GS24, GS29, GS29B, GSD41/4, GS41/5, GS42, GS72, GS100/1, GSR36, GSR36E, GS501	3108051
WIN.44	Piloto operación Normal operation lamp		3108064
WIN.45	Piloto temperatura Temperature lamp		3108116, 3108054
WIN.46	Tapón Blank element		3124187



Código Code	Descripción Description	Modelo Model	Código original Original code
WIN.50	Interruptor luminoso verde Switch 2-pole lighted	GS27, GS27B, GS28	3124074
WIN.51	Pulsador luminoso verde Pushbutton 2-pole + lamp		3124075
WIN.43	Piloto blanco 230V Signal lamp 230V		3108033

Solicite el DVD, incluye todos nuestros catálogos. Más de 50.000 artículos





J.385



J.384

Código Code	Descripción Description	Modelo Model	Código original Original code
J.385	Piloto amarillo 12V LED / yellow 12V	GS14, GS4E, GS15, GS15E, GS29, GS29B, GSR36, GSR36E	3108112
J.384	Piloto rojo 12V LED / red 12V DC		3108111



HB.34



HB.35



WIN.55

Código Code	Descripción Description	Modelo Model	Código original Original code
HB.34	Pulsador + piloto Pushbutton 2-pole + lamp	GS12	3124083
HB.35	Interruptor + piloto Switch 2-pole + lamp		3124082
WIN.55	Interruptor + piloto Switch 4-pole + lamp		3124081



WIN.56



WIN.57



WIN.58

Código Code	Descripción Description	Modelo Model	Código original Original code
WIN.56	Botón pulsador Trigger	GS12	3124077
WIN.57	Botón pulsador Trigger		3124078, 3124079, 3124080
WIN.58	Piloto blanco Signal lamp		3108036



WIN.59



WIN.60



WIN.61



WIN.62, HB.44

Código Code	Descripción Description	Modelo Model	Código original Original code
WIN.59	Serigrafía (on) Panel (on)	GS12	—
WIN.60	Serigrafía (1) Panel (1)		—
WIN.61	Serigrafía (2) Panel (2)		—
WIN.62	Piloto 12V Lamp 12V		3108037
HB.44	Piloto 48V Lamp 48V	—	—



WIN.64



WIN.65



WIN.66

Código Code	Descripción Description	Modelo Model	Código original Original code
WIN.64	Serigrafía Touch pad	GS202, GS215, GS302, GS315, GS502, GS515	3124223
WIN.65	Panel electrónico Keyboard electronics		3124222
WIN.66	Placa electrónica Main plate		3105140

WIN.67, WIN.68,
WIN.69, WIN.70

WIN.71



WIN.72

Código Code	Descripción Description	Modelo Model	Código original Original code
WIN.67	Sensor temperatura L=500mm Temperature sensor L=500mm	GS502, GS515	3125043
WIN.68	Sensor temperatura L=1000mm Temperature sensor L=1000mm		3125044
WIN.69	Sensor temperatura L=1500mm Temperature sensor L=1500mm	GS202, GS215, GS302, GS315	3125051
WIN.70	Sensor temperatura L=1700mm Temperature sensor L=1700mm		3125050
WIN.71	Interruptor de nivel Level switch	GS202, GS215, GS302, GS315	3113164
WIN.72	Interruptor de nivel Level switch	—	3126044

Temporizadores Timers



WIN.52



WIN.211

Código Code	Descripción Description	Modelo Model	Código original Original code
WIN.52	Programador 4 polos 4-pole timer	GS12, GS28(new-nuevo), GS34, GS41/4, GS72, GS100/1	3105119
WIN.211	Programador 3 polos 3-pole timer	GS4, GS9, GS10, GS10/2, GS22, GS23, GS23H, GS24, GS25, GS27, GS27B, GS28 (old-ANTIGUO), GS32, GS40, GS41, GS61, GS70, GS71, GS80, GS81, GS90, GS100, GS405	3105100



WIN.73



WIN.74



WIN.75

Código Code	Descripción Description	Modelo Model	Código original Original code
WIN.73	Programador 6 polos 6-pole timer	GS501	5528272
WIN.74	Programador 5 min. 5 min. timer	GS8, GS41/3, GS62, GS63	3105106
WIN.75	Interruptor programador Program switch	GS14, GS14E, GS15, GS15E, GS29, GS29B, GS41/5, GS42, GSR36, GSR36A	3105130, 3105131

Presostatos / Pressure switches



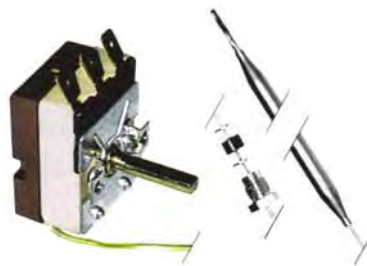
WIN.76, WIN.77, WIN.78,
WIN.79, WIN.80, WIN.81



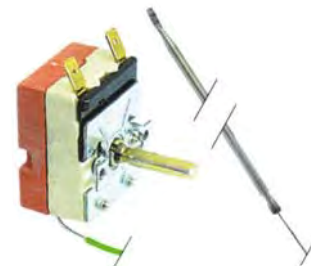
WIN.72

Código Code	Descripción Description	Modelo Model	Código original Original code
WIN.76	55/35 55/35	GS4, GS23, GS23H, GS25, GS27, GS27B, GS28, GS34	3126009
WIN.77	88/55 88/55	GS24, GS29, GS29B	3126029
WIN.78	100/60 100/60	GS8, GS10/2, GS12	3126020
WIN.79	105/75 105/75	GS32, GS40, GS41, GS41/3, GS41/4, GS41/5, GS42, GS61, GS62, GS70, GS71, GS80, GS81, GS100, GS100/1, GS405	3126023, 3126003
WIN.80	120/60 120/60	GS14, GS14E, GS15, GS15E	3126035
WIN.81	160/80 160/80	GS72, GS501	3126028
WIN.72	Interruptor nivel Level switch	GS202, GS215, GS302, GS315, GS502, GS515	3126044

Termostatos / Thermostats



WIN.82



WIN.83

Código Code	Descripción Description	Modelo Model	Código original Original code
WIN.82	30-90°C 1 polo 1-pole 30-90°C	GS4, GS8, GS9, GS10, GS10/2, GS12, GS14, GS14E, GS15, GS15E, GS22, GS23, GS23H, GS24, GS25, GS27, GS27B, GS28, GS29, GS29B, GS32, GS34, GS40, GS41, GS41/3, GS41/4, GS41/5, GS42, GS61, GS62, GS63, GS64, GS65, GS70, GS71, GS72, GS80, GS81, GS90, GS100, GS100/1, GS405, GSR36, GSR36A	3125013, 3125014, 3125010, 3125015
WIN.83	30-93°C 1-pole 30-93°C	GS501	3125046, 3125047



WIN.84



WIN.85

Código Code	Descripción Description	Modelo Model	Código original Original code
WIN.84	30-90°C 2 polos 2-pole 30-90°C	GS25, GS501	3125011
WIN.85	30-90°C 2 polos 2-pole 30-90°C	GS24	3125023



WIN.86



WIN.87

Código Code	Descripción Description	Modelo Model	Código original Original code
WIN.86	160°C 160°C	GS14, GS14E, GS15, GS15E, GS29, GS29B, GS41/5, GS42, GSR36, GSR36A	3125030
WIN.87	93°C 93°C	GS24, GS41/4, GS72, GS100/1	3125022

Microinterruptores
Micro switches



WIN.91



WIN.92

Código Code	Descripción Description	Modelo Model	Código original Original code
WIN.91	Microinterruptor 1 - pole changer	GS4, GS25, GS27, GS28	5519024
WIN.92	Microinterruptor 1 - pole changer	GS8, GS9, GS10, GS10/2, GS12, GS22, GS32	5519007



WIN.88



WIN.89



WIN.90

Código Code	Descripción Description	Modelo Model	Código original Original code
WIN.88	Tornillo bulbo Gland	—	3125001
WIN.89	Junta Gasket		2709036
WIN.90	Tuerca M14x1 Nut M14x1		3125002



WIN.93



WIN.94

Código Code	Descripción Description	Modelo Model	Código original Original code
WIN.93	Microinterruptor 1 - pole changer	GS23H	620002244
WIN.94	Microinterruptor 1 - pole changer	GS24	620013494



WIN.95

Código Code	Descripción Description	Modelo Model	Código original Original code
WIN.95	Microinterruptor 1 - closer + 1 opener	GS40, GS41, GS41/3, GS41/4, GS41/5, GS42, GS61, GS70, GS71, GS72, GS81, GS100/1, GS405	3124104



WIN.98



WIN.99

Código Code	Descripción Description	Modelo Model	Código original Original code
WIN.98	Interruptor magnético Magnetic switch	GS502, GS515	3124224
WIN.99	Interruptor magnético Magnetic switch	GS501	3124228

Interruptores magnéticos Magnetic switches



WIN.96



WIN.97

Código Code	Descripción Description	Modelo Model	Código original Original code
WIN.96	250V / 1A 250V / 1A	GS14, GS14E, GS15, GS15E, GS29, GS29B, GSR36, GSR36E	3124190, 3124221
WIN.97	250V / 1A 250V / 1A	GS202, GS215, GS302, GS315	3124240



WIN100

Código Code	Descripción Description	Modelo Model	Código original Original code
WIN100	Interruptor flotante Float switch	GS501, GS502, GS515	3126034, 5528255



V.1577



V.1579

Código Code	Descripción Description	Modelo Model	Código original Original code
V.1577	1 vía 230V 1 - fold / 230V	GS4, GS14, GS14E, GS15, GS15E, GS23, GS23H, GS24, GS25, GS27, GS27B, GS28, GS29, GS29B, GS100/1	3106044
V.1579	1 vía 230V 1 - fold / 230V	GS8, GS9, GS10/2, GS12, GS22, GS32, GS34, GS40, GS41, GS41/3, GS41/4, GS41/5, GS42, GS61, GS62, GS70, GS71, GS72, GS80, GS81, GS90, GS100, GS100/1, GS405	3106043



WIN104, WIN105



V.133

Código Code	Descripción Description	Modelo Model	Código original Original code
WIN104	1 Vía 230V 15L/min 1 - fold / 230V, 15L/min., pressure boiler	GS4, GS14, GS14E, GS15, GS15E, GS23, GS23H, GS24, GS25, GS27, GS27B, GS28, GS29, GS29B, GS100/1	3106180
WIN105	1 Vía 230V 5L/min 1 - fold / 230V, 5L/min., boiler free	—	3106174
V.133	2 Vías 230V 2 - fold 230V	GS8, GS9, GS10/2, GS12, GS22, GS32, GS34, GS40, GS41, GS41/3, GS41/4, GS41/5, GS42, GS61, GS62, GS70, GS71, GS72, GS80, GS81, GS90, GS100, GS100/1, GS405	3106182



V.2447



RIO218



RIO219

Código Code	Descripción Description	Modelo Model	Código original Original code
V.2447	Bobina Solenoid coil	—	3106046
RIO218	Muelle Spring	—	3106117
RIO219	Kit reparación Repair kit	—	3106073, +3106049, +3106047

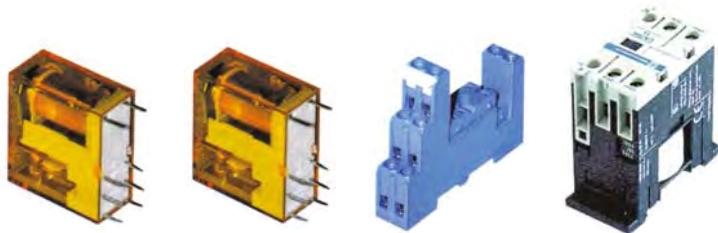


WIN106



WIN107

Código Code	Descripción Description	Modelo Model	Código original Original code
WIN106	Electroválvula 1 vía 230V 15L/min 1 - fold 230V, 15L/min., pressure boiler	GS202, GS215, GS302, GS315	3106214
WIN107	Electroválvula 1 vía 230V 5L/min 1 - fold 230V, 5L/min., pressure boiler	—	3106215



Código Code	Descripción Description	Modelo Model	Código original Original code
WIN108	Relé 5A 2 changer / 5A	GS501	3104159
WIN109	Relé 16A 1 changer / 16A		3104158
WIN110	Base Base		3104157
WIN111	1 NO+1 \bar{O} contactor 1 NO+1 \bar{O} contactor	GS514E / GS72	3104114



Código Code	Descripción Description	Modelo Model	Código original Original code
WIN116	3 NO+1 NO/20A (AC1) 3 NO+1 NO/20A (AC1)	Universal	---
WIN117	3 NO+1 \bar{O} ./20A (AC1) 3 NO+1 \bar{O} ./20A (AC1)		3104154
WIN118	3 NO+1 NO/20A (AC1) 3 NO+1 NO/20A (AC1)		---
WIN119	3 NO+1 \bar{O} ./20A (AC1) 3 NO+1 \bar{O} ./20A (AC1)		---

Contadores / Counters



Código Code	Descripción Description	Modelo Model	Código original Original code
WIN112	3 NO+1 NO/16A (AC1) 3 NO+1 NO/16A (AC1)	Universal	---
WIN113	3 NO+1 \bar{O} ./16A (AC1) 3 NO+1 \bar{O} ./16A (AC1)		---
WIN114	3 NO+1 NO/16A (AC1) 3 NO+1 NO/16A (AC1)		---
WIN115	3 NO+1 \bar{O} ./16A (AC1) 3 NO+1 \bar{O} ./16A (AC1)		3104068



Código Code	Descripción Description	Modelo Model	Código original Original code
EPI197	3 NO+1 NO/25A (AC1) 3 NO+1 NO/25A (AC1)	Universal	---
WIN120	3 NO+1 \bar{O} ./25A (AC1) 3 NO+1 \bar{O} ./25A (AC1)		3104057
EPI203	3 NO+1 NO/32A (AC1) 3 NO+1 NO/32A (AC1)		---
WIN121	3 NO+1 \bar{O} ./32A (AC1) 3 NO+1 \bar{O} ./32A (AC1)		3104162, 3104059



Código Code	Descripción Description	Modelo Model	Código original Original code
WIN122	Soporte fusibles Fuse holder 5x20/25	Universal	3109063
WIN123	Fusible 6,3A Fine fuse 6,3A		3111043
WIN124	Fusible 10A Fine fuse 10A		3111093



Código Code	Descripción Description	Modelo Model	Código original Original code
WIN128	Relé Coupling relay	GS24, GS24E, GS15, GS15E, GSR36, GSR36E	3104139
WIN129	Relé Flasher relay / 230V	GS23H, GS24	3104117
WIN130	Placa electrónica Soft-start	GS14, GS14E, GS15, GS15E, GS29B	5528253, 3113082

**Relés temporizadores
Timer relays**



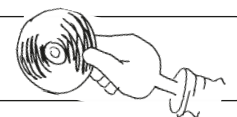
Código Code	Descripción Description	Modelo Model	Código original Original code
WIN125	Relé 1-10 segundos Impulse relay 1-10 sec. 230V / 1 changer	GS4, GS41/4, GS72	3104120
WIN126	Relé 1-10 segundos Impulse relay 1-10 sec. 230V / 1 changer	GS29B	3104141
WIN127	Relé impulso 230V Impulse relay 230V / 1 changer	GS14E, GS15E, GSR36E	3104150

**Dosificadores abrillantador
Rinse aid dosimeters**



Código Code	Descripción Description	Modelo Model	Código original Original code
J.20	Dosificador abrillantador ELT10 Dosing pump ELT10	---	5525005, 800005553, 800005543
WIN131	Dosificador abrillantador ELT10 Dosing pump ELT20		3102450, 5528278

Order our free DVD, include all ours catalogues. More than 50.000 codes.





WIN132



WIN133, WIN134, WIN135

Código Code	Descripción Description	Modelo Model	Código original Original code
WIN132	Dosificador 4L/h 230V volumétrico 4L/h, 230V, volumetric controlled	Universal, instalación externa sustituye a SP166L SP166Z SP80	—
WIN133	Dosificador 6L/h 230V Regulable 6L/h, 230V, conductively regulator		—
WIN134	Dosificador 9L/h 230V Regulable 9L/h, 230V, conductively regulator		—
WIN135	Dosificador 3L/h 230V 3L/h, 230V, double time control (2-fold solenoid valve, 1x sensor 5-220 sec., 1x rinse 1-25 sec.)		—



WIN136



WIN137

Código Code	Descripción Description	Modelo Model	Código original Original code
WIN136	Kit dosificador abrillantador Connecting set (cleaner dosing pump)	—	—
WIN137	Kit dosificador abrillantador regulable Connecting set (cleaner dosing pump), .regulation of the conductively value		—

Resistencias cuba Tank heating elements



WIN138



WIN139



WIN140

Código Code	Descripción Description	Modelo Model	Código original Original code
WIN138	2800W / 230V 2800W / 230V	GS24	620011782
WIN139	2800W / 230V 2800W / 230V	GS9	3103047
WIN140	2800W / 230V 2800W / 230V	GS4, GS23, GS23H, GS25	3103062



WIN141



WIN142



WIN143

Código Code	Descripción Description	Modelo Model	Código original Original code
WIN141	2200W / 230V 2200W / 230V	GS8, GS14, GS14E	3103082
WIN142	3000W / 3x230V 3000W / 3x230V	GS9, GS10, GS10/2, GS12, GS22, GS27, GS27B, GS28, GS34, GS42, GS61, GS62, GS63, GS64, GS70, GS71, GS72, GS80, GS81, GS90, GS100, GS100 / 1	3103027
WIN143	9000W / 3x230V 9000W / 3x230V	GS65	3103018

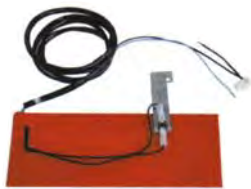


WIN144



WIN145

Código Code	Descripción Description	Modelo Model	Código original Original code
WIN144	6000W / 3x230V 6000W / 3x230V	GS32, GS40, GS41, GS41 / 3, GS41 / 4, GS41 / 5, GS405	3103025
WIN145	5000W / 3x230V 5000W / 3x230V	GS15, GS15E, GS29, GS29B, GSR36, GSR36E	3103089



WIN146



WIN147

Código Code	Descripción Description	Modelo Model	Código original Original code
WIN146	600W / 230V 600W / 230V	GS202, GS215, GS302, GS315	60003653
WIN147	1800W / 230V 1800W / 230V	GS501, GS502, GS515	3103160, 61005231

Accesorios resistencias cuba Tank heating elements accessories



WIN148



WIN149



MAC247



WIN151

Código Code	Descripción Description	Modelo Model	Código original Original code
WIN148	Junta 10,2mm Gasket 10,2mm	GS24	—
WIN149	Tuerca M10x1 Nut M10x1		—
MAC247	Tórica 58mm O-ring 58mm	Universal	2707015
WIN151	Junta Gasket	GS501, GS502, GS515	82000014

Resistencias calderín Boiler heating elements



WIN152



WIN153

Código Code	Descripción Description	Modelo Model	Código original Original code
WIN152	2200W / 230V 2200W / 230V	GS14, GS14E, GS8	3103082, 3103081
WIN153	2800W / 230V 2800W / 230V	GS4, GS9, GS23, GS23H, GS24	3103015, 3103033



WIN154, WIN155

WIN156

WIN157

Código Code	Descripción Description	Modelo Model	Código original Original code
WIN154	5000W / 3x230V 5000W / 3x230V	GS10, GS10 / 2, GS12, GS15, GS15E, GS22, GS27, GS29, GS29B, GS34, GSR36, GSR36F	3103032
WIN155	5000W 5000W	GS28	3103030
WIN156	6000W / 3x230V 6000W / 3x230V	GS27B, GS32, GS40, GS41, GS41 / 3, GS41 / 4, GS41 / 5, GS42, GS61, GS62, GS63, GS64, GS65, GS70, GS71, GS72, GS80, GS81, GS90, GS100, GS100 / 1, GS405	3103017 3103043
WIN157	9000W / 3x230V 9000W / 3x230V	GR62 / 1, GR66	3103018 3103057



WIN160

WIN161, WIN162

WIN163

Código Code	Descripción Description	Modelo Model	Código original Original code
WIN160	2600W / 230V 2600W / 230V	GS202, GS215, GS302, GS315	60003605
WIN161	3500W / 3x230V 3500W / 3x230V		60003602
WIN162	5000W / 3x230V 5000W / 3x230V		60003598
WIN163	6000W / 3x230V 6000W / 3x230V	GS501, GS502, GS515	3103150

Juntas Gaskets



WIN158

WIN159

Código Code	Descripción Description	Modelo Model	Código original Original code
WIN158	4500W / 3x230V 4500W / 3x230V	GS40, GS61, GS70 (Modelos antiguos / old types)	3103009
WIN159	6000W / 3x230V 6000W / 3x230V		3103012



MAC247



WIN165

Código Code	Descripción Description	Modelo Model	Código original Original code
MAC247	Junta Gasket	—	2707015
WIN165	Junta de silicona Silicone gasket	—	2707071



WIN166



WIN167

Código Code	Descripción Description	Modelo Model	Código original Original code
WIN166	Transformador 230V / 18V DC-22V A Transformer 230V / 18V DC-22V A	GS515, GSR36, GSR36E	3115020
WIN167	Motor 24V DC Gear motor 24V DC		3116062

Bombas presión Pressure pumps



WIN171



WIN172

Código Code	Descripción Description	Modelo Model	Código original Original code
WIN171	250W / 230V 250W / 230V	GS501, GS502, GS515	3102288, 3102477
WIN172	270W / 230V 270W / 230V	GS202, GS215, GS302, GS315	3102539

Bombas desagüe Drain pumps



WIN168



WIN169



WIN170

Código Code	Descripción Description	Modelo Model	Código original Original code
WIN168	80W / 230V 80W / 230V	Universal	3102010
WIN169	65W / 230V 65W / 230V	GS202, GS215, GS302, GS315	3102480
WIN170	170W / 230V 170W / 230V	GS501, GS502, GS515	3102410



WIN173



WIN174



WIN175

Código Code	Descripción Description	Modelo Model	Código original Original code
WIN173	0,25kW / 230V 0,25kW / 230V	GS4, GS23, GS23H	3102037, 3102040, 3102332
WIN174	0,37kW / 230V 0,37kW / 230V	GS24	3102260
WIN175	0,55kW / 230V 0,55kW / 230V	GS9	3102065, 3102066

Ver componentes motores en página siguiente.
Motor components in the next page



WIN176



WIN177

Código Code	Descripción Description	Modelo Model	Código original Original code
WIN176	0,05kW / 230V 0,05kW / 230V	GS25, GS27, GS27B, GS28	3102014, 3102015
WIN177	0,55W / 230V 0,55kW / 230V	GS29, GS29B	3102276



WIN179



WIN180

Código Code	Descripción Description	Modelo Model	Código original Original code
WIN179	0,73kW / 400V / (3μ) 0,73kW / 400V / (3μ)	GS8, GS14, GS14E, GS15, GS15E, GS501	3102090, 3102277, 3102091
WIN180	1,1kW / 400V / (3μ) 1,1kW / 400V / (3μ)	GS10, GS10/2, GS12, GS22, GS32, GS40, GS41, GS41/3, GS41/4, GS41/5, GS42, GS502, GS515	3102263, 3102086, 3102087, 3102265



WIN178

Código Code	Descripción Description	Modelo Model	Código original Original code
WIN178	2,7kW / 400V / (3μ) 2,7kW / 400V / (3μ)	GS61, GS62, GS64, GS65, GS70, GS71, GS72, GS80, GS90, GS100, GS100/1	5514011



WIN181



WIN182

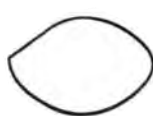
Código Code	Descripción Description	Modelo Model	Código original Original code
WIN181	1,5kW / 400V / (3μ) 1,5kW / 400V / (3μ)	—	
WIN182	2,0kW / 400V / (3μ) 2,0kW / 400V / (3μ)	GS63	5514023, 5514076



1



2



3



4



5

Bombas Pumps		1 Turbina Impellor		2 Retén Axial face seal		3 Junta Pump cover		4 Tapa Pump cover		5 Condensador Condenser	
Código Code	Código original Original code	Código Code	Código original Original code	Código Code	Código original Original code	Código Code	Código original Original code	Código Code	Código original Original code	Código Code	Código original Original code
WIN181		WIN183		WIN192		WIN195		WIN200			
WIN182	5514023	WIN184		WIN192		WIN195		WIN200			
WIN176	3102014	WIN185		WIN193	2710015	WIN196		WIN201		LASA24	
WIN173	3102040	WIN186	31062217	WIN193	2710015	WIN197		WIN202	3102215		
WIN177	3102276	WIN185		WIN193	2710015	WIN198		WIN203		WIN207	
WIN179	3102277	WIN187		WIN192		WIN195		WIN204		WIN208	
WIN180	3102263	WIN188		WIN192		WIN195		WIN204			
WIN171	3102477					WIN199		WIN205		LAM218	
WIN172	3102539					WIN199		WIN205		LAM218	
WIN175	3102065	WIN190		WIN193		WIN198		WIN203		LAM218	
WIN174	3102260	WIN191		WIN193		WIN198		WIN203		WIN207	

Sistema lavado/aclarado (1)	Wash and rinse systems (1)	1538
Sistema lavado/aclarado (2)	Wash and rinse systems (2)	1539
Sistema lavado/aclarado (3)	Wash and rinse systems (3)	1540
Sistema lavado/aclarado (4)	Wash and rinse systems (4)	1541
Sistema lavado/aclarado (5)	Wash and rinse systems (5)	1542
Sistema lavado/aclarado (6)	Wash and rinse systems (6)	1543
Varios / Depuración	Various / Softeners	1544
Depuración / Componentes detergente	Softeners / Detergent components	1545
Componentes detergente (1)	Detergent components (1)	1546
Componentes detergente (2)	Detergent components (2)	1547
Componentes detergente / Cámaras presostáticas	Detergent components / Air traps	1548
Sistema filtro-desagüe (1)	Drain and filter systems (1)	1549
Sistema filtro-desagüe (2)	Drain and filter systems (2)	1550
Sistema filtro-desagüe (3)	Drain and filter systems (3)	1551
Sistema filtro / Tubos succión-impulsión	Filter system / Suction-pressure hoses	1552
Tubos succión-impulsión	Suction-pressure hoses	1553
Tubos succión-impulsión / Componentes puerta	Suction-pressure hoses / Door components	1554
Componentes puerta (1)	Door components (1)	1555
Componentes puerta (2)	Door components (2)	1556
Componentes puerta-capota	Door-hood components	1557
Componentes capota / Componentes electrónicos	Hood components / Electrónics components	1558
Componentes electrónicos	Electrónics components	1559
Componentes electrónicos / Panel de mandos	Electrónics components / switch panels	1560
Panel de mandos	Switch panels	1561
Panel de mandos / Interruptores / Pilotos	Switch panels / switches / Lamps	1562
Interruptores / Pilotos (1)	Switches / Lamps (1)	1563
Interruptores / Pilotos (2)	Switches / Lamps (2)	1564
Interruptores / Pilotos (3)	Switches / Lamps (3)	1565
Interruptores / Pilotos / Programadores	Switches / Lamps / Timers	1566
Programadores / Presostatos	Timers / Pressure switches	1567
Presostatos	Pressure switches	1568
Termostatos	Thermostats	1569
Termostatos / Microinterruptores	Thermostats Micro switches	1570
Microinterruptores / Electroválvulas	Micro switches / Solenoid valves	1571
Electroválvulas / Relés	Solenoids valves / Relays	1572
Contactores / Dosificadores abrillantador-jabón	Contactors / Dosing Pumps	1573
Accesorios dosificador / Resistencias	Dosing pump accesories / Heating elements	1574
Resistencias	Heating elements	1575
Resistencias / Calderines	Heating elements / Boilers	1576
Calderines	Boilers	1577
Bombas	Pumps	1578
Bombas / Bombas (recambios)	Pumps / Pumps (components)	1579

Sistema lavado-aclarado ■ Wash and rinse systems



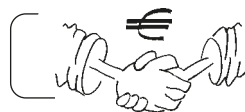
Código Code	Descripción Description	Modelo Model	Código original Original code
LZ.1	Brazo lavado Wash arm	LB1, LB2, Z1, Z2, GW1, GW2, W51, W52	049044
LZ.2	Brazo aclarado Rinse arm		049049
LZ.3	Eje brazo aclarado Rinse arm shaft		049046
LZ.4	Tuerca Ring nut		049047
LZ.5	Adaptador Rinse arm bush		049042
LZ.6	Tuerca brazo Rinse arm nut		049043
LZ.7	Tuerca soporte brazo Wash / rinse arm holder		049039
LZ.8	Junta Gasket		049038



Código Code	Descripción Description	Modelo Model	Código original Original code
LZ.9	Girante completo Wash arm complet	LTB11, LTB12, LTB22	069576
LZ.10	Racor giratorio Rinse arm shaft		069445
LZ.11	Soporte giratorio Wash arm holder		069443
LZ.12	Manguito Gasket (pressure hose)		046878



Código Code	Descripción Description	Modelo Model	Código original Original code
LZ.13	Cruceta Wash arm cross	LTB11, LTB12, LTB22	69452
LZ.14	Asta derecha Wash arm / right		---
LZ.15	Asta izquierda Wash arm / left		---
LZ.16	Asta derecha Rinse arm / right		---
LZ.17	Asta izquierda Rinse arm / left		---
LZ.18	Rociador Wash nozzle		069449
LZ.19	Tuerca rociador Union nut / wash nozzle		069448
LZ.20	Rociador Rinse nozzle		069451
LZ.21	Tuerca rociador Union nut / rinse nozzle		069450



Ahorre tiempo y dinero. Pida el recambio a **ASCASO**.



Código Code	Descripción Description	Modelo Model	Código original Original code
LZ.22	Brazo completo Rinse arm, complet	LTB11, LTB12, LTB22	069577
LZ.23	Brazo derecho Rinse arm / right		—
LZ.24	Brazo izquierdo Rinse arm / left		—
LZ.20	Rociador Rinse nozzle		069451
LZ.26	Tueca rociador Union nut (rinse arm)		069450



Código Code	Descripción Description	Modelo Model	Código original Original code
LZ.32	Cruceta Wash arm cross	LS5, LS32, LS33	049293
LZ.33	Asta lavado Wash arm		049295
LZ.34	Asta aclarado Rinse arm		049297
LZ.35	Asta aclarado Rinse arm		049298
LZ.36	Junta O-ring (rinse arm)		047473
LZ.37	Tapón End cap (wash arm)		049296
LZ.38	Tapón End cap (rinse arm)		049299



Código Code	Descripción Description	Modelo Model	Código original Original code
LZ.27	Brida Wash nozzle holder / fixed arm	LTB11, LTB12, LTB22	069640
LZ.28	Rompechorros Wash nozzle		069641
LZ.30	Tornillo Ringe screw		069440
LZ.31	Tapa Cover		069444



Código Code	Descripción Description	Modelo Model	Código original Original code
LZ.39	Brida Protection (rinse nut)	LS5, LS32, LS33	049294
LZ.40	Tuerca Ringe nut		047282
LZ.41	Tuerca Nut (wash arm holder)		048330
LZ.42	Junta Gasket		048236
LZ.43	Seeger Seeger ring		048979
LZ.44	Arandela Throttle disk		048820
LZ.45	Soporte inferior Wash arm holder / lower		049290



Código Code	Descripción Description	Modelo Model	Código original Original code
LZ.39	Brida Protection (rinse nut)	LS5, LS32, LS33	049294
LZ.40	Tuerca Ringe nut		047282
LZ.46	Eje Rinse arm shaft		049292
LZ.36	Junta O-ring		047473
LZ.47	Tuerca Nut (wash arm holder)		048824
LZ.48	Junta Gasket		048823



Código Code	Descripción Description	Modelo Model	Código original Original code
LZ.41	Tuerca Nut (wash arm holder)	LS6, LS7D, LS7, LS8D, LS8, LS62, LS63	048330
LZ.42	Junta Gasket		048236
LZ.43	Seeger Seeger ring		048979
LZ.44	Arandela Throttle disk		048820
LZ.54	Arandela Throttle disk (L58/old)		048645, 048931
LZ.55	Soporte inferior Wash arm holder / lower		048819, 048329



Código Code	Descripción Description	Modelo Model	Código original Original code
LZ.49	Giratorio lavado Wash arm	LS6, LS7D, LS7, LS8D, LS8, LS62, LS63	048821, 048336
LZ.50	Giratorio aclarado Rinse arm		048716, 048542
LZ.51	Tornillo Rinse arm shaft		048290
LZ.52	Tuerca Ringe nut		048632
LZ.53	Adaptador Wash arm bearing		048401



Código Code	Descripción Description	Modelo Model	Código original Original code
LZ.47	Tuerca Nut (wash arm holder)	LS6	048824
LZ.57	Junta Gasket		048823
LZ.58	Tubo Rinse pipe	LS7D, LS7, LS8D, LS8	048333
LZ.59	Junta Gasket		046366
LZ.60	Soporte superior Wash arm holder / upper		046368



Código Code	Descripción Description	Modelo Model	Código original Original code
LZ.61	Brazo lavado Wash arm	LS10, LS12, LS14	048247
LZ.50	Brazo aclarado Rinse arm		048716
LZ.51	Tornillo Rinse arm shaft		048290
LZ.52	Tuerca Ringe nut		048632
LZ.53	Adaptador Wash arm bearing		048401



Código Code	Descripción Description	Modelo Model	Código original Original code
LZ.64	Brazo lavado Wash arm	LS360, LS365	068660
LZ.65	Brazo aclarado Rinse arm	LS360, LS365, LS540, LS720, LS860	046371
LZ.40	Tuerca Ringe nut		047282
LZ.66	Rociador aclarado Rinse nozzle		046272
LZ.67	Junta O-ring		067898
LZ.68	Brida inferior rociador Rinse nozzle holder		046273
LZ.69	Tornillo End cap		046266



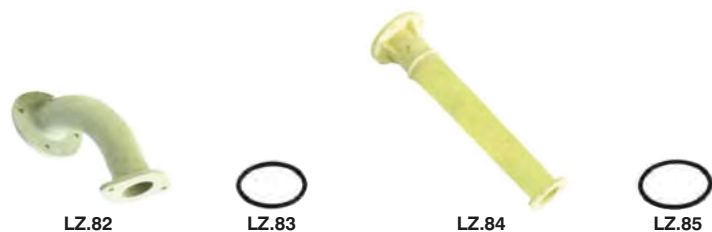
Código Code	Descripción Description	Modelo Model	Código original Original code
LZ.62	Tuerca Nut (wash arm holder)	LTB10, LTB12, LTB14	048237
LZ.42	Junta Gasket		048236
LZ.43	Seeger Seeger ring		048979
LZ.54	Arandela Throttle disk		048931
LZ.63	Soporte inferior Wash arm holder / lower		048235



Código Code	Descripción Description	Modelo Model	Código original Original code
LZ.70	Tuerca Ringe nut (wash arm)	LS360, LS365, LS540, LS720, LS860	047283
LZ.71	Arandela Bush (wash arm)		045771
LZ.72	Eje Rinse arm shaft		046363
LZ.73	Adaptador Wash arm bearing		046362



Código Code	Descripción Description	Modelo Model	Código original Original code
LZ.74	Soporte inferior Wash arm holder / lower	LS360, LS365, LS540, LS720, LS860	046373
LZ.75	Junta O-ring		027301
LZ.60	Soporte superior Wash arm holder / upper	LS360, LS365, LS540, LS720	046368
LZ.76	Soporte superior Wash arm holder / upper	LS860	046547



Código Code	Descripción Description	Modelo Model	Código original Original code
LZ.82	Codo Wash pipe	LS360, LS365	046400
LZ.83	Junta Gasket		067768
LZ.84	Tubo lavado Wash pipe	LS720, LS860, LS1080	046544
LZ.85	Junta O-ring	—	065506



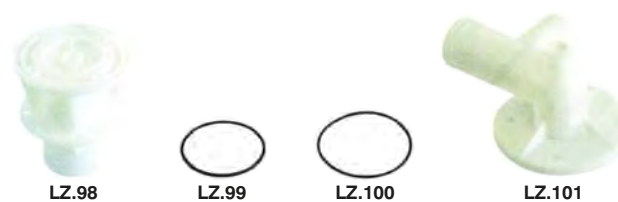
Código Code	Descripción Description	Modelo Model	Código original Original code
LZ.77	Tuerca Nut	LS540, LS720, LS860, LS1086	047891
LZ.78	Junta O-ring		047929
LZ.79	Tubo Junction	LS540	047893
LZ.80	Tubo Junction	LS720, LS860, LS1080	047907
LZ.81	Junta Gasket	—	047928



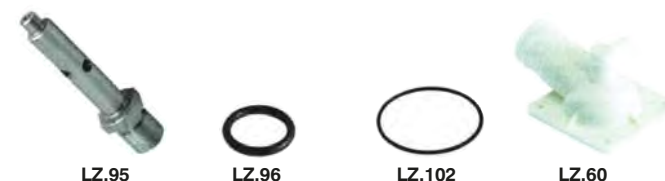
Código Code	Descripción Description	Modelo Model	Código original Original code
LZ.86	Cruceta Wash arm cross	LS510, LS520, LS521	047990
LZ.87	Brazo lavado Wash arm		047470
LZ.88	Brazo aclarado corto Rinse arm / short		048142
LZ.89	Brazo aclarado largo Rinse arm / long		047889
LZ.90	Junta O-ring (rinse arm)		047473
LZ.91	Tapón End cap (rinse arm)		047475
LZ.92	Tapón End cap (wash arm)		047471
LZ.93	Rociador Rinse nozzle		047927



Código Code	Descripción Description	Modelo Model	Código original Original code
LZ.94	Soporte Protection (ringe nut)	LS510, LS520, LS521	047991
LZ.40	Tuerca Ringe nut		047282
LZ.95	Eje Rinse arm shaft		047464
LZ.96	Junta O-ring		046376
LZ.97	Arandela Throttle disk		046361



Código Code	Descripción Description	Modelo Model	Código original Original code
LZ.98	Tapa Cover	LS510, LS520, LS521	048145
LZ.99	Junta O-ring / inner		047462
LZ.100	Junta O-ring / outer		045462
LZ.101	Soporte brazo lavado Wash arm holder		047461



Código Code	Descripción Description	Modelo Model	Código original Original code
LZ.95	Eje Rinse arm shaft	LS510, LS520, LS521	047464
LZ.96	Junta O-ring		046376
LZ.102	Junta Gasket		046366
LZ.60	Soporte brazo lavado superior Wash arm holder / upper		046368



Código Code	Descripción Description	Modelo Model	Código original Original code
LZ.103	Racor cruz X-piece	—	049073
LZ.104	Racor Y Y-piece		048195
LZ.105	Racor Y Y-piece		049289



Código Code	Descripción Description	Modelo Model	Código original Original code
LZ.109	Antiretorno Back flow restrictor	—	049332
LZ.110	Antiretorno Back flow restrictor		048191

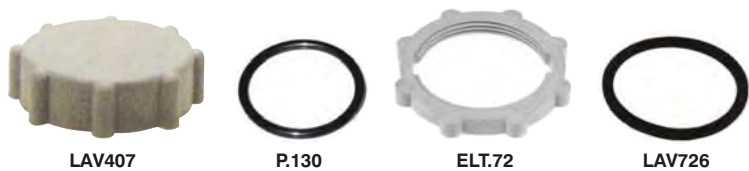
Depósito sal Salt containers



Código Code	Descripción Description	Modelo Model	Código original Original code
LZ.106	Filtro Guard filter	—	048746
LZ.107	Filtro Guard filter		048834
LZ.108	Válvula anti retorno None return valve		048414



Código Code	Descripción Description	Modelo Model	Código original Original code
LZ.111	Depósito sal Salt container, complet	LB1, LB2	049075
LAV901	Depósito sal Salt container, complet	LTB12, LTB22	069575, 069471
LZ.112	Depósito sal Salt container, complet		069680



Código Code	Descripción Description	Modelo Model	Código original Original code
LAV407	Tapón Cap	LTB12, LTB22	069467
P.130	Junta Gasket		049245, 069468
ELT.72	Tuerca Nut		069469
LAV726	Junta Gasket		049244, 069470



Código Code	Descripción Description	Modelo Model	Código original Original code
LAV725	Tapa Cap	LTB11	069472
LAV726	Junta Gasket		069470
LAV724	Tapa rosca Nut		069552



Código Code	Descripción Description	Modelo Model	Código original Original code
LZ.113	Depurador Softener	LB1, LB2	049074
LAV900	Depurador Softener	LTB11, LTB12	069476

Componentes detergente Detergent components



Código Code	Descripción Description	Modelo Model	Código original Original code
LZ.114	Depósito detergente Detergent container	LB1, LB2	049024
LZ.115	Racor Hose connector		049026
LZ.116	Junta Gasket		049201, 067292
LZ.117	Filtro Filter		049022
LZ.118	Muelle Spring		049023
LZ.119	Soporte Flap		049021

Componentes detergente ■ Detergent components 1546



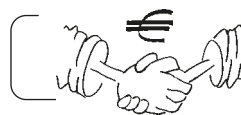
Código Code	Descripción Description	Modelo Model	Código original Original code
LZ.120	Depósito completo conexión lateral Container, compl. / connection on the side	LTB11, LTB12, LTB22	069521
LZ.121	Depósito completo conexión frontal Container, compl. / connection in the front		069547



Código Code	Descripción Description	Modelo Model	Código original Original code
LZ.126	Depósito Container	LS5, LS32, LS33	049975
LZ.115	Racor Hose connector		049026
LZ.116	Junta Gasket		049201, 067292
LZ.117	Filtro Filter		049022
LZ.127	Muelle Spring		048279
LZ.118	Muelle Spring		049023
LZ.128	Soporte Flap		048363



Código Code	Descripción Description	Modelo Model	Código original Original code
LZ.122	Junta O-ring	LTB11, LTB12, LTB22	069644
LZ.123	Racor Connection fitting		069646
LZ.124	Racor Eye bolt		069645
LZ.125	Junta Gasket		069525



Save time and money.. Order ASCASO your spare parts.



Código Code	Descripción Description	Modelo Model	Código original Original code
LZ.129	Depósito Container	LS6	049024
LZ.130	Racor Hose connector		049941
LZ.116	Junta Gasket		067292, 049292
LZ.117	Filtro Filter		049022
LZ.127	Muelle Spring		048279
LZ.118	Muelle Spring		049023
LZ.128	Soporte Flap		048363



Código Code	Descripción Description	Modelo Model	Código original Original code
LZ.131	Depósito Container	LS7	068630
LZ.132	Tapón Cap		068644
LZ.133	Tubo Suction tube		068650
LZ.134	Junta Gasket		048434
LZ.135	Tornillo Pin		068627
LZ.136	Muelle Spring		068645
LZ.137	Soporte Flap		048465



Código Code	Descripción Description	Modelo Model	Código original Original code
LZ.138	Depósito Container	LS32, LS33, LS61, LS62, LS63, LS64, LS510, LS520, LS521	047549
LZ.139	Tapa Cap		047551
LZ.140	Carátula Panel		047547



Código Code	Descripción Description	Modelo Model	Código original Original code
LZ.141	Tuerca Nut	LS32, LS33, LS61, LS62, LS63, LS64, LS510, LS520, LS521	047550
LZ.142	Junta Gasket		030186
LZ.143	Adaptador Funnel		047548
LZ.144	Tubo aspiración Suction tube		047552

Cámaras presostáticas Air traps



Código Code	Descripción Description	Modelo Model	Código original Original code
LZ.145	Cámara presostática (bomba des) Air trap (drain pump)	LB1, LB2, LS5, LS6, LS7, LS8, LS10, LS12, LS14, LS33, LS63, LS64	048853
LZ.146	Junta Gasket		068642
LZ.147	Brida Hose clamp		046946



Código Code	Descripción Description	Modelo Model	Código original Original code
LAV655	Cámara presostática Air trap, compl.	LTB11, LTB12, LTB22	069515
FA.875	Junta O-ring		069644
LAV660	Conexión bomba Connection for pump		069670
LZ.148	Tuerca Union unit		0A6065
LZ.124	Racor Eye bolt		069646



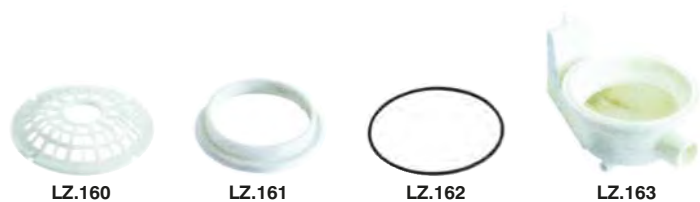
Código Code	Descripción Description	Modelo Model	Código original Original code
LZ.150	Cámara presostática Air trap	LS5, LS6, LS7, LS8, LS10, LS12, LS14, LS32, LS33, LS61 - LS64	048308
LZ.151	Junta Gasket		068642
LZ.152	Tuerca Nut		049268
LZ.153	Cámara presostática Air trap	LS10 (old), LS12 (old-antiguo), LS360, LS365, LS510, LS520, LS521	046631
LZ.154	Junta O-ring		068573
LZ.155	Cámara presostática Air trap	LS540, LS720, LS860, LS1080	045459
LZ.154	Junta Shaft seal		068573



Código Code	Descripción Description	Modelo Model	Código original Original code
LZ.157	Sobrenivel Over flow pipe	LB1, LB2	049914
LZ.158	Sobrenivel Over flow pipe, drain pump		049915
LZ.159	Junta O-ring		049036



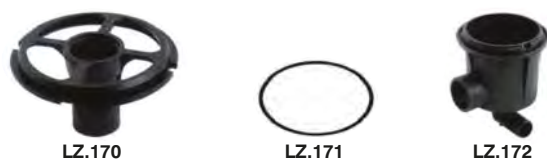
Código Code	Descripción Description	Modelo Model	Código original Original code
LZ.164	Sobrenivel Over flow pipe	LTB11, LTB12, LTB22	069526
LZ.166	Junta O-ring		069527
LZ.167	Filtro bomba Filter pump / compl.		069574



Código Code	Descripción Description	Modelo Model	Código original Original code
LZ.160	Filtro Filter	LB1, LB2	049032
LZ.161	Tuerca Nut		049034
LZ.162	Junta O-ring		049033
LZ.163	Soporte filtro Drain unit with air trap		049035



Código Code	Descripción Description	Modelo Model	Código original Original code
LZ.168	Filtro exterior Outer filter	LTB11, LTB12, LTB22	069528
LZ.168	Filtro interior Inner filter		069529



Código Code	Descripción Description	Modelo Model	Código original Original code
LZ.170	Fijador filtro Fixing	LTB11, LTB12, LTB22	069530
LZ.171	Junta O-ring		069531
LZ.172	Cuerpo filtro Intake body		069532



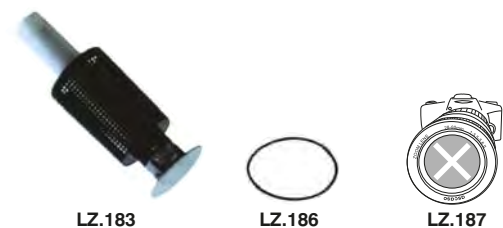
Código Code	Descripción Description	Modelo Model	Código original Original code
LZ.176	Filtro Filter	LS5, LS6, LS7, LS8, LS32, LS33, LS62, LS63	048324
LZ.177	Tuerca Nut		048326
LZ.178	Junta Gasket		048327
LZ.179	Cuerpo filtro Drain body		048325



Código Code	Descripción Description	Modelo Model	Código original Original code
LZ.173	Sobrenivel Over flow pipe	LS5, LS6, LS7, LS8, LS32, LS33, LS62, LS63	048323
LZ.174	Sobrenivel Over flow pipe (drain pump)		048842
LZ.175	Junta Gasket		046799



Código Code	Descripción Description	Modelo Model	Código original Original code
LZ.180	Sobrenivel Over flow pipe	LS10, LS12, LS14	048250
LZ.181	Junta Gasket		048229
LZ.182	Cuerpo filtro Intake body		049600



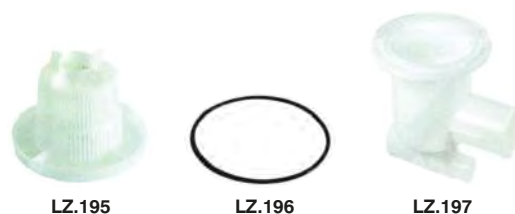
Código Code	Descripción Description	Modelo Model	Código original Original code
LZ.183	Sobrenivel Over flow pipe	LS360	068713
LZ.186	Junta O-ring		045462
LZ.187	Cuerpo filtro Intake body	LS360, LS365	046396, 046395



Código Code	Descripción Description	Modelo Model	Código original Original code
LZ.192	Sobrenivel Over flow pipe	LS510, LS520	047460
LZ.193	Sobrenivel Over flow pipe	LS521	047556
LZ.175	Junta O-ring	—	046799



Código Code	Descripción Description	Modelo Model	Código original Original code
LZ.188	Sobrenivel Over flow pipe	LS540, LS720, LS860, LS1080	045476
LZ.189	Junta O-ring		045462
LZ.190	Cuerpo filtro Intake body	LS540, LS720	045458
LZ.191	Cuerpo filtro Intake body	LS860, LS1080	046525



Código Code	Descripción Description	Modelo Model	Código original Original code
LZ.195	Filtro Filter	LS510, LS520, LS521	047456
LZ.196	Junta O-ring		047458
LZ.197	Cuerpo filtro Intake body		047457



Código Code	Descripción Description	Modelo Model	Código original Original code
LZ.198	Filtro plano Flat filter	LB1, LB2	049051
LZ.199	Filtro plano Flat filter	LS6	049908
LZ.200	Filtro Flat filter	LS10, LS12, LS14	048252



Código Code	Descripción Description	Modelo Model	Código original Original code
LZ.203	Filtro desagüe Drain valve	LS10, LS12, LS14	049633



Código Code	Descripción Description	Modelo Model	Código original Original code
LZ.201	Filtro plano Flat filter	LS7, LS8, LS32, LS33, LS61 - 64	048332
LZ.202	Filtro plano Flat filter	LS510, LS520, LS521	047544

Tubos succión-impulsión
Suction-pressure hoses



Código Code	Descripción Description	Modelo Model	Código original Original code
LZ.204	Codo Extraction hose	LB1, LB2	049041
LZ.205	Manguito Extraction hose	LTB11, LTB12, LTB22	069537
LZ.206	Tubo Pressure hose		046878



LZ.207

LZ.208

Código Code	Descripción Description	Modelo Model	Código original Original code
LZ.207	Tubo Extraction hose	LS5, LS6, LS7, LS8, LS32, LS33, LS61 - LS64	045768
LZ.208	Tubo Pressure hose		046257



LZ.209

LZ.210

LZ.207

LZ.212

Código Code	Descripción Description	Modelo Model	Código original Original code
LZ.209	Tubo Extraction hose	LS10, LS12, LS14	048242
LZ.210	Codo Pressure hose		045456
LZ.207	Tubo Extraction hose		045768
LZ.212	Tubo (antiguo) Pressure hose (old)		048241



LZ.209

LZ.210

LZ.211

Código Code	Descripción Description	Modelo Model	Código original Original code
LZ.209	Tubo Extraction hose	LS360, LS365, LS510, LS520, LS521	045457
LZ.210	Codo Pressure hose	LS360, LS365, LS510, LS520, LS521	046398
LZ.211	Tubo Pressure hose		046257



LZ.213

LZ.214

LZ.208

Código Code	Descripción Description	Modelo Model	Código original Original code
LZ.213	Tubo Extraction hose	LS540, LS541, LS720, LS721	045456
LZ.214	Tubo Pressure hose		046372
LZ.208	Tubo Pressure hose		046257

Tubos succión-impulsión / Componentes puerta ■ Suction-pressure hoses / Door components 1554



LZ.215

LZ.216

LZ.217

Código Code	Descripción Description	Modelo Model	Código original Original code
LZ.215	Tubo Extraction hose	LS860, LS861, LS1080	046565
LZ.216	Tubo Pressure hose		046542
LZ.217	Tubo Pressure hose		046546



LZ.222

LZ.223

LZ.224

LZ.225

Código Code	Descripción Description	Modelo Model	Código original Original code
LZ.222	Bisagra derecha Hinge / right	LTB11, LTB12, LTB22	069513
LZ.223	Bisagra izquierda Hinge / left		—
LZ.224	Alojamiento bisagra derecha Hinge camp / right		069514
LZ.225	Alojamiento bisagra izquierda Hinge camp / left		—

Componentes puerta Door components



LZ.218

LZ.219

LZ.220

LZ.221

Código Code	Descripción Description	Modelo Model	Código original Original code
LZ.218	Plástico puerta Plastic plate	LB1, LB2	049246
LZ.219	Eje Spring jack		049030
LZ.220	Muelle Spring	LB1	049200
LZ.221	Muelle Spring	LB2	049086



LZ.226

LZ.227

LZ.228

LZ.229

LZ.230

LZ.231

Código Code	Descripción Description	Modelo Model	Código original Original code
LZ.226	Bisagra izquierda Hinge / left	—	049280
LZ.227	Bisagra derecha Hinge / right	—	049279
LZ.228	Perno Hinge pin	—	049281
LZ.229	Pasador Tension bar	—	049282
LZ.230	Tapón End stop	—	049286
LZ.231	Placa Sliding plate	—	049285



LZ.232

LZ.233

LZ.234

LZ.235

Código Code	Descripción Description	Modelo Model	Código original Original code
LZ.232	Bisagra derecha Hinge lever / right	LS6, LS61, LS62, LS63, LS64	048813
LZ.233	Bisagra izquierda Hinge lever / left		048814
LZ.234	Adaptador Bush		048812
LZ.235	Muelle Spring		048815



LZ.241

LZ.242

LZ.243

LZ.244

LZ.245

Código Code	Descripción Description	Modelo Model	Código original Original code
LZ.241	Bisagra derecha Hinge / right	LS360, LS365, LS540, LS541	046292
LZ.242	Bisagra izquierda Hinge / left		046291
LZ.243	Muelle derecho Spring right		046269
LZ.244	Muelle izquierdo Spring left		046268
LZ.245	Eje Spring wave		048581, 046267



LZ.236

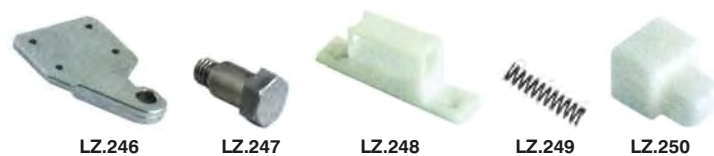
LZ.237

LZ.238

LZ.239

LZ.240

Código Code	Descripción Description	Modelo Model	Código original Original code
LZ.236	Bisagra derecha Hinge / right	LS7	048583
LZ.237	Bisagra izquierda Hinge / left		048582
LZ.238	Muelle derecho Spring right		046269
LZ.239	Muelle izquierdo Spring left		046268
LZ.240	Eje muelle Spring wave		048581



LZ.246

LZ.247

LZ.248

LZ.249

LZ.250

Código Code	Descripción Description	Modelo Model	Código original Original code
LZ.246	Bisagra Hinge	LS510, LS520, LS521	048161
LZ.247	Tornillo bisagra Hinge screw		047478
LZ.248	Soporte cierre Catch housing		047491
LZ.249	Muelle Spring		047492
LZ.250	Cierre puerta Door catch		047493



LAV817

LAV714

LZ.251

LZ.252

Código Code	Descripción Description	Modelo Model	Código original Original code
LAV817	Cierre Catch	LTB11, LTB12, LTB22	069435
LAV714	Cierre puerta Door catch		069436
LZ.251	Cierre Catch	LS5, LS32, LS33	049271
LZ.252	Cierre puerta Door catch		049536



LZ.253

LZ.254

LZ.255

Código Code	Descripción Description	Modelo Model	Código original Original code
LZ.253	Marco puerta Door frame	LS360, LS365	046392
LZ.254	Marco puerta Door frame	LS510, LS520, LS521	047483
LZ.255	Marco puerta Door frame	LS540	046270

Juntas Gaskets



LZ.256

LZ.257

LZ.258

LZ.259

Código Code	Descripción Description	Modelo Model	Código original Original code
LZ.256	Junta puerta superior Door seal / upper	LB1, LB2	049017
LZ.257	Junta puerta inferior Door seal / lower		049016
LZ.258	Junta puerta superior Door seal / upper	LS5, LS32, LS33	046583
LZ.259	Junta puerta superior Door seal / upper	LS6	049932



LZ.260

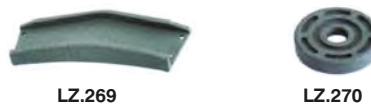
LZ.261

LZ.262

Código Code	Descripción Description	Modelo Model	Código original Original code
LZ.260	Junta puerta superior Door seal / upper	LS7	049248
LZ.261	Junta puerta superior Door seal / upper	LS61 - LS64	048306
LZ.262	Junta puerta superior Door seal / upper	LS360, LS365	046394



Código Code	Descripción Description	Modelo Model	Código original Original code
LZ.263	Junta puerta derecha Door seal / right	LS510, LS520, LS521	047454
LZ.264	Junta puerta izquierda Door seal / left		047455



Código Code	Descripción Description	Modelo Model	Código original Original code
LZ.269	Soporte maneta Handle support	LS12, LS14	049597
LZ.270	Cojinete Roller		049598

Componentes capota
Hood components



Código Code	Descripción Description	Modelo Model	Código original Original code
LZ.265	Soporte maneta Handle support	LS720, LS860, LS1080	046537
LZ.266	Adaptador Bush		046538
LZ..267	Tornillo Handle support	LS12 (old)	049430
LZ.268	Tornillo Screw		048349



Código Code	Descripción Description	Modelo Model	Código original Original code
LZ.271	Muelle Spring	LS720	046615
LZ.272	Muelle Spring	LS860, LS1080	046540
LZ.273	Muelle Spring	LS8	048655

Componentes capota / Componentes electrónicos ■ Hood components / Electronic components 1558

Componentes eléctricos
Electrical components



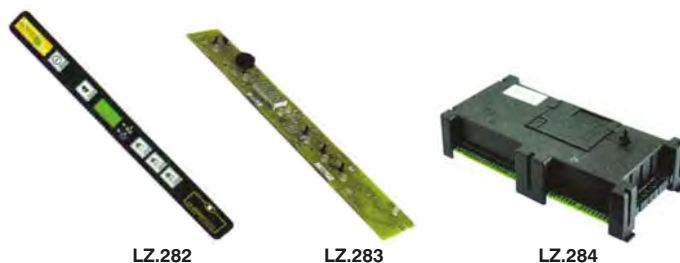
Código Code	Descripción Description	Modelo Model	Código original Original code
LZ.274	Muelle Spring	LS10, LS12, LS14	049582
LZ.275	Muelle Spring	LS10 (old-antiguo), LS12 (old-antiguo)	048258
LZ.276	Muelle Spring	LS14EA/AU	049947



Código Code	Descripción Description	Modelo Model	Código original Original code
LZ.279	Carátula Keypad	LS5	049956
LZ.280	Placa electrónica Control board		0L0047
LZ.281	Centralita Main plate		0L0046



Código Code	Descripción Description	Modelo Model	Código original Original code
LZ.277	Tensor muelle Spring compressor	LS720, LS860, LS1080, LS8, L10(ols), LS12(old)	075767
LZ.278	Tensor muelle Spring compressor	LS10, LS12, LS14	049583



Código Code	Descripción Description	Modelo Model	Código original Original code
LZ.282	Carátula Keypad	LS6	049920
LZ.283	Placa electrónica Control board		049897
LZ.284	Centralita Main plate		049910, 0L0045

Si no encuentra el componente que busca, llámenos, le ayudaremos.

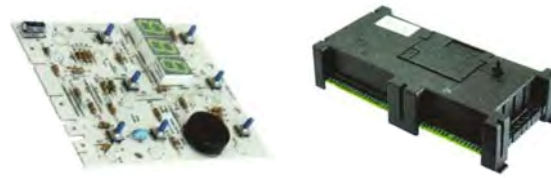


Tel: 93 377 64 11
Fax: 93 377 98 03
ascaso@ascaso.com



LZ.285 LZ.286 LZ.287 LZ.284, LZ.289

Código Code	Descripción Description	Modelo Model	Código original Original code
LZ.285	Carátula Keypad	LS10EA	0L0008
LZ.286	Carátula Keypad	LS14EA	0L0001
LZ.287	Placa electrónica Control board	LS10EA, LS14EA	049998
LZ.284	Centralita Main plate		0L0045
LZ.289	Centralita Main plate	—	0L0541



LZ.293 LZ.284

Código Code	Descripción Description	Modelo Model	Código original Original code
LZ.293	Placa electrónica Control board	LS10, LS12	049623, 049754
LZ.284	Centralita Main plate		049622, 049752, 0L0045



LZ.290 LZ.291 LZ.292

Código Code	Descripción Description	Modelo Model	Código original Original code
LZ.290	Carátula Keypad	LS10	049605
LZ.291	Carátula Keypad	LS12	049606
LZ.292	Carátula Keypad	LS12AU	049604



LZ.295 LZ.296

Código Code	Descripción Description	Modelo Model	Código original Original code
LZ.295	Centralita Main plate	LS61, LS62	048833
LZ.296	Centralita Main plate	LS63, LS64	048926



LZ.297 LZ.298 LZ.299

Código Code	Descripción Description	Modelo Model	Código original Original code
LZ.297	Placa electrónica Main plate	LS8DP	049150
LZ.298	Placa electrónica Main plate	LS10DP	049141
LZ.299	Placa electrónica Main plate	LS12DP	049147



LZ.302 LZ.303 LZ.96 LZ.305

Código Code	Descripción Description	Modelo Model	Código original Original code
LZ.302	Sensor Sensor	LS5, LS6, LS10, LS12, LS14	049884
LZ.303	Sensor Sensor		049643
LZ.96	Junta Gasket		046376
LZ.305	Soporte Holder		049580



LZ.300 LZ.301

Código Code	Descripción Description	Modelo Model	Código original Original code
LZ.300	Placa temporizadora Electronic timer	LS32	049411
LZ.301	Placa temporizadora Electronic timer	LS33	049412

Panel mandos Switch panels



LZ.306 LZ.307 LZ.308

Código Code	Descripción Description	Modelo Model	Código original Original code
LZ.306	Panel interruptores Switch panel	LB1, LB2	049061
LZ.307	Panel interruptores Switch panel	LS7	048339
LZ.308	Panel interruptores Switch panel	LS32, LS33	049313

45 años ofreciendo calidad, servicio y competitividad.





Código Code	Descripción Description	Modelo Model	Código original Original code
LZ.309	Panel interruptores Switch panel	LS61, LS62	048827
LZ.310	Panel interruptores Switch panel	LS63	048903
LZ.311	Panel interruptores Switch panel	LS520	047545, 047633



Código Code	Descripción Description	Modelo Model	Código original Original code
LZ.315	Panel interruptores Switch panel	LS8	048648
LZ.316	Panel interruptores Switch panel	LS8DP	049151
LZ.317	Panel interruptores Switch panel	LS10	048470



Código Code	Descripción Description	Modelo Model	Código original Original code
LZ.312	Panel interruptores Switch panel	LS521	047561, 047633
LZ.313	Panel interruptores Switch panel	LS540, LS720	046345
LZ.314	Panel interruptores Switch panel	LS860	046732

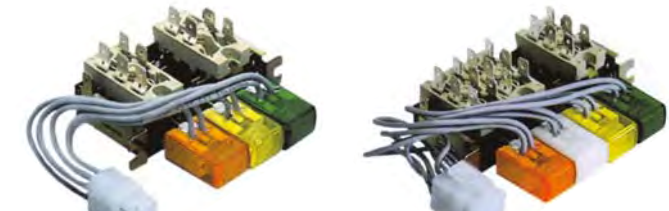


Código Code	Descripción Description	Modelo Model	Código original Original code
LZ.318	Panel interruptores Switch panel	LS10	048590
LZ.319	Panel interruptores Switch panel	LS10DP	049143
LZ.320	Panel interruptores Switch panel	LS12	048473

Panel mandos / Interruptores / Pilotos ■ Switch panels / Switches / Lamps 1562



Código Code	Descripción Description	Modelo Model	Código original Original code
LZ.321	Panel interruptores Switch panel	LS12DP	049148
LZ.322	Panel interruptores Switch panel	LS12HD	048598
LZ.323	Junta Gasket	Universal	048274

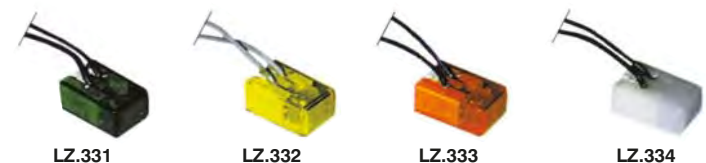


Código Code	Descripción Description	Modelo Model	Código original Original code
LZ.329	Botonera Switch combination	LB11	069412
LZ.330	Botonera Switch combination	LTB12, LTB22	069413

Interruptores / Pilotos Switches / Lamps



Código Code	Descripción Description	Modelo Model	Código original Original code
LZ.324	Interruptor Switch	LB1, LB2	049063
LZ.325	Pulsador Pushbutton		049068
LZ.326	Pulsador Pushbutton		049062
LZ.327	Pulsador Pushbutton		049065
LZ.328	Piloto Signal lamp		049064



Código Code	Descripción Description	Modelo Model	Código original Original code
LZ.331	Piloto Signal lamp	LTB11, LTB12, LTB22	069415
LZ.332	Piloto Signal lamp		069416
LZ.333	Piloto Signal lamp		069418
LZ.334	Piloto Signal lamp	LTB12, LTB22	069417



LZ.335

LZ.336

LZ.337

Código Code	Descripción Description	Modelo Model	Código original Original code
LZ.335	Interruptor Switch	LS32, LS33	049316
LZ.336	Pulsador Pushbutton		049315
LZ.337	Interruptor Switch	LS33	049326



LZ.338

LZ.339

LZ.340

LZ.341

Código Code	Descripción Description	Modelo Model	Código original Original code
LZ.338	Botón gris Pushbutton / grey	LS32, LS33	049317
LZ.339	Botón amarillo Pushbutton / yellow		049318
LZ.340	Botón Pushbutton	LS33	049325
LZ.341	Botón Blind cap	LS32, LS33	049314



CZA179

GIK104

Código Code	Descripción Description	Modelo Model	Código original Original code
CZA179	Piloto Signal element / green	---	048832
GIK104	Tapón piloto Socket / green		075096



LZ.344

LZ.345

LZ.346



LZ.347

LZ.348

CZA179

GIK104

Código Code	Descripción Description	Modelo Model	Código original Original code
LZ.344	Interruptor principal Main switch	LS61, LS62, LS63, LS64	048829
LZ.345	Interruptor Program switch		048828
LZ.346	Junta Gasket		046360
LZ.347	Mando Knob		048830
LZ.348	Espárrago Grub screw		047846
CZA179	Piloto Signal element		048832
GIK104	Tapón piloto verde Socket / green		075096



LZ.351

LZ.352

LZ.346

LZ.348

Código Code	Descripción Description	Modelo Model	Código original Original code
LZ.351	Interruptor Operation switch	LS510, LS520, LS521	047498
LZ.352	Interruptor Operation switch		047560
LZ.346	Junta Gasket		046360
LZ.353	Mando Knob		047842
LZ.348	Espárrago Grub screw		047846



LZ.355

LZ.356

LZ.346

LZ.358

Código Code	Descripción Description	Modelo Model	Código original Original code
LZ.355	Interruptor Operation switch	LS360	047360
LZ.356	Interruptor Operation switch	LS365	046649
LZ.346	Junta Gasket	LS360, LS365	046360
LZ.357	Mando Knob		046356 Z
LZ.358	Espárrago Grub screw		046258



CZA179, CZA263

AMB160

GIK104

LZ.361

AMB370

Código Code	Descripción Description	Modelo Model	Código original Original code
CZA179	Piloto 230V Signal element, 230V	LS360, L365, LS510, LS520, LS521	046241
CZA263	Piloto blanco 230V Signal element 230V		046076
AMB160	Piloto amarillo Socket / yellow		075095
GIK104	Piloto verde Socket / green		075096
LZ.361	Piloto azul Socket / blue		047750
AMB370	Piloto transparente Socket / lucent		046289



LZ.363

LZ.346

LZ.357

LZ.348

Código Code	Descripción Description	Modelo Model	Código original Original code
LZ.363	Interruptor Operation switch	LS540, LS541, LS720, LS860, LS1080	046350
LZ.346	Junta Gasket		046360
LZ.357	Mando Knob		046356
LZ.348	Espárrago Grub screw		047846



Código Code	Descripción Description	Modelo Model	Código original Original code
CZA179	Piloto 230V Signal element	LS540, LS541, LS720, LS860, LS1080	048832
CZA263	Piloto 230V Signal element 230V		046076
AMB370	Piloto blanco Socket / lucent		046289
GIK104	Piloto verde Socket / green		075096
LZ.361	Piloto azul Socket / blue	—	047750



Código Code	Descripción Description	Modelo Model	Código original Original code
LZ.367	Interruptor Main switch	LS7, LS10 (to Nr 304_), LS12 (to Nr 304_)	048271
LZ.368	Interruptor Main switch	LS8, LS10 (from Nr 305_), LS12 (from Nr 305_)	048524
LZ.369	Interruptor Program switch	LS7, LS8, LS10	048270

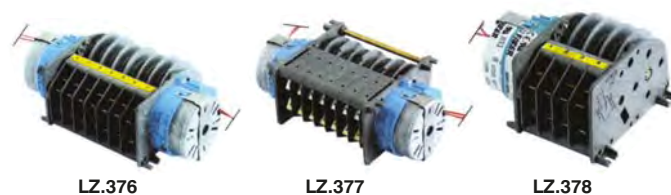


Código Code	Descripción Description	Modelo Model	Código original Original code
LZ.364	Interruptor Switch	LS540, LS541, LS720, LS860, LS1080, LS360, LS365	045165, 046348
LZ.365	Junta Gasket		046298
LZ.366	Pulsador Pushbutton		046293

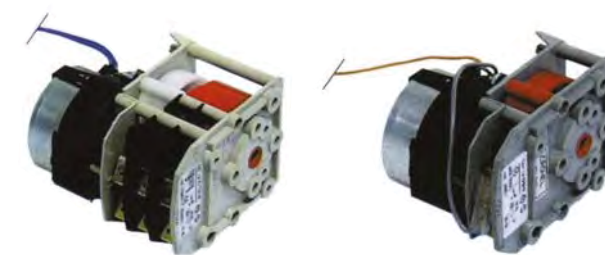


Código Code	Descripción Description	Modelo Model	Código original Original code
LZ.370	Interruptor Program switch	LS12	048286
LZ.345	Interruptor Main switch	LS7DP	048828
LZ.372	Interruptor Main switch	LS8DP, LS10DP, LS12DP	049144
LZ.373	Interruptor Program switch	LS7DP, LS8DP, LS10DP, LS12DP	049145

Programadores
Timers



Código Code	Descripción Description	Modelo Model	Código original Original code
LZ.376	Programador 120"/300" 7 micros 120" / 300", 7 chambers, 230V	LB1, LB2 (to Nr 716)	49054
LZ.377	Programador 120"/300" 7 micros 120" / 300", 7 chambers, 230V	LB1 (from NR 717), LB2 (from Nr 717)	49256
LZ.378	Programador regeneración 230V Regeneration, 230V	LB1, LB2	49251



Código Code	Descripción Description	Modelo Model	Código original Original code
LZ.379	Programador 120", 230V 120", 230V timer	LTB11, LTB12, LTB22	069419, 069669
HB.46	Programador 20", 230V 20", 230V timer (regeneration)		069420



Código Code	Descripción Description	Modelo Model	Código original Original code
LZ.346	Junta Gasket		046360
LZ.374	Mando Knob	LS7	048340
LZ.375	Mando Knob	LS8, LS10, LS12	048402
LZ.348	Espárrago Grub screw		047846



Código Code	Descripción Description	Modelo Model	Código original Original code
CZA179	Piloto 230V Signal element, 230V	LS7, LS8, LS10, LS12	048488
CZA263	Piloto 230V Signal element 230V		048832
GIK104	Tapón piloto verde Socket / green		075096



LZ.381

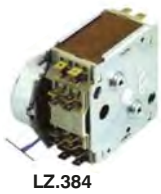


LZ.382

Código Code	Descripción Description	Modelo Model	Código original Original code
LZ.381	Programador 230V 230V timer	LS360, LS365	068671
LZ.382	Programador 180" 4 micros 230v 180", 4 chambers, 230V	LS510, LS520, LS521	047497, 048881



LZ.383



LZ.384

Código Code	Descripción Description	Modelo Model	Código original Original code
LZ.383	Programador 230V 230V timer	LS720	046621
LZ.384	Programador 230V 230V timer	LS860	046733



LZ.385



LZ.386



LZ.387

Código Code	Descripción Description	Modelo Model	Código original Original code
LZ.385	Programador 5 micros 230v 5 chambers, 230V	LS7	48303
LZ.386	Programador 5 micros 230v 5 chambers, 230V	LS8	48647
LZ.387	Programador 6 micros 230v 6 chambers, 230V	LS10, LS12	48591, 48264

**Presostatos
Pressure switches**



LZ.388



LAV624



LAV625

Código Code	Descripción Description	Modelo Model	Código original Original code
LZ.388	Presostato 110/55, 165/135 110/55, 165/135 (drain pump)	LB1, LB2	049081
LAV624	Presostato 110/55 110/55 pressure switch		049058
LAV625	Presostato 55/35 55/35 pressure switch	LTB11, LTB12, LTB22	069434



LZ.389



LZ.390



LZ.391

Código Code	Descripción Description	Modelo Model	Código original Original code
LZ.389	Presostato 60/20 60/20 pressure switch	LS360, LS510, LS520, LS540, LS7, LS8	049485, 046352, 048723
LZ.390	Presostato 68/54 68/54 pressure switch	LS365	046648
LZ.391	110/85 - 60/20 110/85 - 60/20 pressure switch	LS521	048752



LZ.395



LZ.396

Código Code	Descripción Description	Modelo Model	Código original Original code
LZ.395	Presostato 240/130 240/130 pressure switch	LS10, LS12	048267
LZ.396	Presostato 2 puntos 2 points pressure switch	LS10DP, LS12DP	049142



LZ.392



LZ.393



LZ.394

Código Code	Descripción Description	Modelo Model	Código original Original code
LZ.392	Presostato 105/60 105/60 pressure switch	LS720, LS860, LS1080	046601
LZ.393	Presostato 2 puntos 2 points pressure switch	LS7DP, LS8DP, LS61, LS62, LS63, LS64	048826
LZ.394	Presostato 250/130 - 390 250/130 - 390 pressure switch	LS10, LS12, LS12DP, LS14 (electronic control)	049620

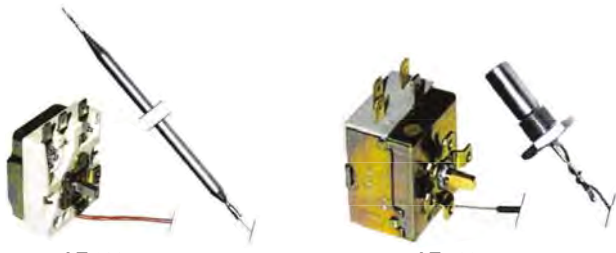


LZ.397



LZ.398

Código Code	Descripción Description	Modelo Model	Código original Original code
LZ.397	Presostato 60/20 60/20 pressure switch	LS32	049305, 049881
LZ.398	Presostato 110/80 - 60/20 110/80 - 60/20 pressure switch	LS32 (from Nr 731), LS33 (from Nr 731)	049361



Código Code	Descripción Description	Modelo Model	Código original Original code
LZ.399	Termostato 30 - 90°C (caldera) 30 - 90°C (boiler) thermostat	LTB11, LTB12, LTB22	069422
LZ.400	Termostato 0-85°C 0 - 85°C (tank) thermostat		069423

Código Code	Descripción Description	Modelo Model	Código original Original code
LZ.403	Termostato 30 - 90°C (caldera) 30 - 90°C (boiler) thermostat	LS360, LS365	045169
LZ.404	Termostato 30 - 90°C (caldera) 30 - 90°C (boiler) thermostat	LS360, LS365D	46413



Código Code	Descripción Description	Modelo Model	Código original Original code
LASA.17	Termostato 30 - 90°C (caldera) 30 - 90°C (boiler) thermostat	LB1, LB2	049191
LZ.402	Termostato 82°C (caldera) 82°C (boiler) thermostat	LS32, LS33	049255



Código Code	Descripción Description	Modelo Model	Código original Original code
LZ.405	Termostato 30 - 90°C (caldera) 30 - 90°C (boiler) thermostat	LS7, LS8, LS10, LS12, LS540, LS720, LS860, LS1080, LS61 - LS64	048266, 068012, 049243
LZ.406	Termostato seguridad, 140°C (caldera) Safety thermostat, 140°C (boiler)	LS520D, LS521D, LS540, LS720, LS860, LS1080	051644

Termostatos / Microinterruptores ■ Thermostats / Micro switches 1570



Código Code	Descripción Description	Modelo Model	Código original Original code
LZ.407	Termostato stock Stoke thermostat	LS360, LS365, LS510, LS520, LS521, LS540, LS720, LS860, LS1080, LS7, LS8, LS10, LS12	045495, 048487, 047508
LZ.408	Termostato stock Stoke thermostat	LS510, LS520, LS521	048166, 048631



Código Code	Descripción Description	Modelo Model	Código original Original code
LZ.67	Junta O-ring	Universal	067898
LZ.413	Tornillo Screw		067899
LZ.414	Junta Gasket	LTB11, LTB12, LTB22	
LZ.415	Tuerca, M14x1 Nut, M14 x 1		



Código Code	Descripción Description	Modelo Model	Código original Original code
LZ.409	Termostato stock (cuba) Stoke thermostat (Tank)	LS - DP, LB1, LB2, LS32, LS33, LS61 - LS64	048804
LZ.410	Termostato seguridad, 112°C (caldera) Safety thermostat, 112°C (boiler)	LB1, LB2, LS32, LS33, LS61 - LS64, LS7, LS8, LS10, LS12	048887, 048287
LZ.411	Brida termostato Retaining block		048987

Microinterruptores / Micro switches



Código Code	Descripción Description	Modelo Model	Código original Original code
LZ.416	Microinterruptor Micro switch	LTB11, LTB12, LTB22	069484
LASA.19	Microinterruptor Micro switch	LS360, LS365, LS510, LS520, LS521, LS540	047485, 046286, 046379
LZ.418	Microinterruptor Micro switch	LS720, LS860, LS1080	060722



Código Code	Descripción Description	Modelo Model	Código original Original code
LZ.419	Interruptor magnético Magnetic switch	LB1, LB2, LS8, LS10, LS12	048486
LZ.420	Interruptor magnético Magnetic switch	LS7 (to 1994)	048392
LZ.421	Interruptor magnético Magnetic switch	LS7 (from 1994)	048893

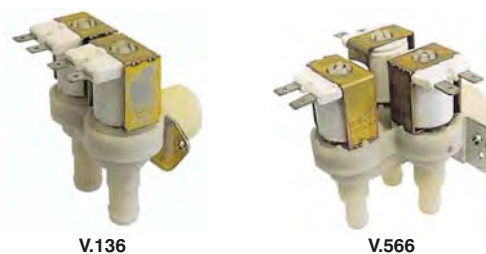


Código Code	Descripción Description	Modelo Model	Código original Original code
LZ.422	Interruptor magnético Magnetic switch	LS7DP, LS8DP, LS10DP, LS12DP, LS61, LS62, LS63, LS64	048831
LZ.423	Interruptor magnético Magnetic switch	LS32, LS33	049226
LZ.424	Control electrónico Electronic control	LS5, LS6, LS10, LS12, LS14, LS10DP	049621



Código Code	Descripción Description	Modelo Model	Código original Original code
LZ.425	Interruptor magnético Magnetic switch / level switch	LS8, LS10, LS12	049478
LZ.426	Interruptor limitador Limit switch	LS720, LS860, LS1080	048159

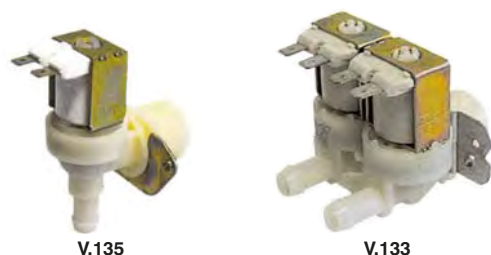
Electroválvulas / Solenoid valves



Código Code	Descripción Description	Modelo Model	Código original Original code
V.136	Electroválvula 2 vías 230V 2 - fold, 230V	LB1, LB2	049056
V.566	Electroválvula 3 vías 230V 3 - fold, 230V		049077



Código Code	Descripción Description	Modelo Model	Código original Original code
V.133	Electroválvula 2 vías 230V 2 - fold, 230V	LTB11	069463
V.134	Electroválvula 3 vías 230V 3 - fold, 230V	LTB12, LTB22	069464



Código Code	Descripción Description	Modelo Model	Código original Original code
V.135	Electroválvula 1 vía 1 - fold, 230V	LS7, LS8, LS10, LS12, LS510, LS520, LS521, LS540, LS720, LS860, LS1080, LS5, LS61 - LS64	047529, 048178, 047843, 046320, 048898, 048817, 048894
V.133	Electroválvula 2 vías 2 - fold, 230V	LS_HD	049230

Relés
Relays



Código Code	Descripción Description	Modelo Model	Código original Original code
LZ.427	Relé 12A 2 changer, 12A (AC1)	LB1, LB2, LS7, LS10 (to Nr 304), LS12 (to Nr 304)	48438
LZ.428	Relé 12A 4 changer, 12A (AC1)	LB1, LB2, LS10 (from Nr 305), LS12 (from Nr 305)	48611
LZ.429	Relé 16A 3 changer, 16A (AC1)	LS360, LS365, LS540, LS720, LS860, LS1080	046380



Código Code	Descripción Description	Modelo Model	Código original Original code
LZ.430	Relé 16A 2 closer, 16A (AC1)	LS7DP, LS8DP, LS10DP, LS12DP, LS32, LS33, LS61 - LS64	048888
LZ.431	Relé 0,05 seg Time relay, 0,05 sec.- 60h (multifunction)	LS_HD	049235
BF.153	Base Base		049236



LZ.433 LZ.434

Código Code	Descripción Description	Modelo Model	Código original Original code
LZ.433	Contactador 230V 3 closer / 1 opener, 230V	LS7, LS8, LS10, LS12, LS14, LS32/4, 5, LS33/4, 5, LS61 - LS64	048403, 048825
LZ.434	Contactador 230V Contactor 230V	LS540, LS720, LS860, LS1080	075796, 082986

**Dosificador abrillantador
Dosing pumps**



LZ.435 FA.265

Código Code	Descripción Description	Modelo Model	Código original Original code
LZ.435	Dosificador abrillantador Dosimeter	LB1, LB2, LS5, LS32, LS33, LS7 (from Nr 545), LS8 (from Nr 545), LS10 (from Nr 242), LS12 (from Nr 242)	048715, 049484
FA.265	Dosificador abrillantador Dosimeter	LS10 (to Nr 241), LS12 (to Nr 241), LS360, LS365, LS510, LS520, LS521, LS540, LS720, LS860, LS1080	048498, 045478



LAV898 LAV405 V1732

Código Code	Descripción Description	Modelo Model	Código original Original code
LAV898	Dosificador abrillantador DB2, 230V (electrical)	LTB11, LTB12, LTB22	069478, 069921
LAV405	Bobina Solenoid coil, DB2		049625
V1732	Dosificador abrillantador Long, 230V (electrical)	—	048580

**Dosificadores peristálticos
Peristaltic dosimeters**



V.1741 LZ.438, LZ.439

Código Code	Descripción Description	Modelo Model	Código original Original code
V.1741	Dosificador detergente Cleaner (dosing pump)	LS6, LS10, LS12, LS14 (electronic control)	049624
LZ.438	Dosificador detergente 0,4l. Detergent (dosing pump) 0,4l		—
LZ.439	Dosificador detergente 1,5l. Detergent (dosing pump) 1,5l		049625

Accesorios dosificadores / Resistencias ■ Dosing pumps accessories / Heating elements 1574



LZ.440 LZ.441 V.1797

Código Code	Descripción Description	Modelo Model	Código original Original code
LZ.440	Válvula retención Container filter	—	049356
LZ.441	Codo Tank intake	—	049557
V.1797	Valvula antirretorno None return valve	—	—

**Resistencias cuba
Tank heating elements**



LZ.442 LZ.443 LZ.444, LZ.445

Código Code	Descripción Description	Modelo Model	Código original Original code
LZ.442	2000W, 230V 2000W, 230V	LTB11, LTB12, LTB22	069437, 069671
LZ.443	800W, 230V 800W, 230V	LB1, LB2	049059
LZ.444	2200W, 230V 2200W, 230V	LS6, LS7, LS8, LS10, LS12, LS32, LS33, LS61, LS64	048228, 048924
LZ.445	2000W, 230V 2000W, 230V	LS5	049954



V.613 V.611

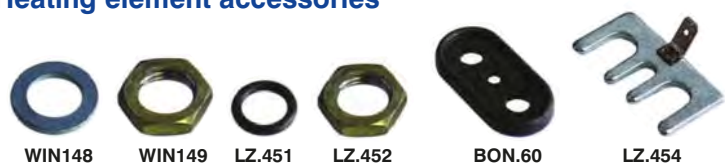
Código Code	Descripción Description	Modelo Model	Código original Original code
V.613	Tubo abrillantador Hose (cleaner)	—	049149
V.611	Tubo jabón Hose (detergent)	—	049148



LZ.446 LZ.447 LZ.448

Código Code	Descripción Description	Modelo Model	Código original Original code
LZ.446	3000W, 230V 3000W, 230V	LS10EA, LS14	048491
LZ.447	2200W, 230V 2200W, 230V	LS360, LS365, LS520D, LS521D, LS720, LS860, LS1080	046404, 046418, 048000, 048086
LZ.448	2200W, 230V 2200W, 230V	LS510, LS520, LS521, LS540	046284, 047507, 047848, 047506

Accesorios resistencias
Heating element accessories



Código Code	Descripción Description	Modelo Model	Código original Original code
WIN148	Junta Gasket	Universal	069438
WIN149	Tuerca, M10x1 Nut, M10x1		—
LZ.451	Junta O-ring		046223
LZ.452	Tuerca, M14x1 Nut, M14x1		046223
BON.60	Junta Gasket		—
LZ.454	Pletina Flange		048483

Resistencias calderín
Boiler elements



Código Code	Descripción Description	Modelo Model	Código original Original code
LZ.455	3000W, 230V 3000W, 230V	LTB11, LTB12, LTB22	069455, 069672
LZ.456	3000W, 3 x 230V 3000W, 3 x 230V	LB1, LB2, LS62-LS64	048927
LZ.457	2800W, 230V 2800W, 230V	LS32, LS33	049371



Código Code	Descripción Description	Modelo Model	Código original Original code
LZ.458	2800W, 230V 2800W, 230V	LS5	049980
LZ.459	4500W, 3 x 230V 4500W, 3 x 230V	LS5	049955
LZ.460	4500W, 3 x 230V 4500W, 3 x 230V	LS7/9, LS8/9, LS12	048928, 048284



Código Code	Descripción Description	Modelo Model	Código original Original code
LZ.461	6000W, 3 x 230V 6000W, 3 x 230V	LS7, LS8, LS10	048513, 048221
LZ.462	6000W, 3 x 230V 6000W, 3 x 230V	LS6	048898
LZ.463	4500W, 3 x 230V 4500W, 3 x 230V	LS32, LS33, LS540D, LS720D, LS860D	049307, 052905, 026453



Código Code	Descripción Description	Modelo Model	Código original Original code
LZ.464	4500W, 230V 4500W, 230V	LS520D, LS521D	047847
LZ.465	6000W, 230V 6000W, 230V		—
LZ.466	10500W, 230V 10500W, 230V	LS10EA, LS14	049997



Código Code	Descripción Description	Modelo Model	Código original Original code
MAC247	Junta O-ring		003362
LZ.471	Arandela Flange		065558

Calderines
Boilers



Código Code	Descripción Description	Modelo Model	Código original Original code
LZ.467	3000W, 3 x 230V 3000W, 3 x 230V	LS510, LS520, LS521	066109, 047505
LZ.468	4500W, 3 x 230V 4500W, 3 x 230V	LS360, LS720, LS860	065557, 045518, 046623, 046627
LZ.469	6000W, 3 x 230V 6000W, 3 x 230V	LS1080	051632, 066110



Código Code	Descripción Description	Modelo Model	Código original Original code
LZ.472	Calderín Boiler	LB1, LN2	049053
LZ.473	Calderín Boiler	LTB11, LTB12, LTB22	069453
LZ.474	Calderín Boiler	LS360, LS365	046294





LZ.475



LZ.476



LZ.477

Código Code	Descripción Description	Modelo Model	Código original Original code
LZ.475	Calderín Boiler	LS510, LS520, LS521	048194
LZ.476	Calderín Boiler	LS540	048197
LZ.477	Calderín Boiler	LS720, LS860, LS1080	047950



LZ.481



LZ.482

Código Code	Descripción Description	Modelo Model	Código original Original code
LZ.481	Calderín Boiler	LS5	049958
LZ.482	Calderín Boiler	LS6	049902



LZ.478



LZ.479



LZ.480

Código Code	Descripción Description	Modelo Model	Código original Original code
LZ.478	Calderín Boiler	LS32, LS33	049336
LZ.479	Calderín Boiler	LS61, LS6EP, LS7, LS8, LS10	048548, 048341
LZ.480	Calderín Boiler	LS62, LS63, LS64, LS7/9, LS8/9, LS12	048484, 048727



LZ.483



LZ.484

Código Code	Descripción Description	Modelo Model	Código original Original code
LZ.483	Calderín Boiler	LS10EH, LS14	049987
LZ.484	Calderín Boiler	LS10, LS12 (electronic control)	049632

Bombas desagüe
Drain pumps



LZ.485



LZ.486

Conexión cerrada
Connection closed



LZ.487

Conexión abierta
Connection opened

Código Code	Descripción Description	Modelo Model	Código original Original code
LZ.485	34W, 230V 34W, 230V	LB1, LB2, LS33, LS63, LS64, LS6 DP, LS7DP, LS8DP, LS10DP, LS12DP	048844
LZ.486	90W, 230V 90W, 230V	LS365	046647
LZ.487	90W, 230V 90W, 230V	LS521	047562

Bombas lavado
Wash pumps



LZ.491



LZ.492



LZ.493

Código Code	Descripción Description	Modelo Model	Código original Original code
LZ.491	280W, 230V 280W, 230V	LB1, LB2	049057
LZ.492	290W, 230V 290W, 230V	LTB11, LTB12, LTB22	069450, 069804 069675, 069805
LZ.493	740W, 230V 740W, 230V	LS32, LS33, LS61-LS64, LS7DP, LS8DP	048885

Bombas presión
Pressure pumps



LZ.488



LZ.489



LZ.490

Código Code	Descripción Description	Modelo Model	Código original Original code
LZ.488	350W, 230V 350W, 230V	LB1, LB2, LS32, LS33, LS62HD	048910
LZ.489	280W, 230V 280W, 230V	LS6EA, LS10 / LS12 / LS14 - (electronic control)	049310
LZ.490	350W, 230V 350W, 230V	LS8HD, LS10HD, LS12HD	049229



LZ.494



LZ.495



LZ.496

Código Code	Descripción Description	Modelo Model	Código original Original code
LZ.494	550W, 230V 550W, 230V	LS360, LS365, LS510, LS520, LS521	046370
LZ.495	750W, 230V 750W, 230V	LS5, LS6	049876
LZ.496	740W, 230V 740W, 230V	LS7, LS8	048304

Ver componentes motores en página siguiente.
Motor components in the next page



LZ.497



LZ.498



LZ.499

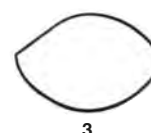


LZ.500

Código Code	Descripción Description	Modelo Model	Código original Original code
LZ.497	550W, 230V 550W, 230V	LS540D	046574
LZ.498	550W, 230V (3~) 550W, 230V (3~)	LS540D, LS720	046346

Código Code	Descripción Description	Modelo Model	Código original Original code
LZ.499	1kW, 400V, (3~) 1kW, 400V, (3~)	LS860, LS1080	047708
LZ.500	1,5kW, 400V, (3~) 1,5kW, 400V, (3~)	LS10, LS12, LS14	048216

**Componentes motor
Motor components**



Bombas Pumps		1 Turbina Impellor		2 Retén Axial face seal		3 Junta Pump cover		4 Tapa Pump cover		5 Condensador Condenser	
Código Code	Código original Original code	Código Code	Código original Original code	Código Code	Código original Original code	Código Code	Código original Original code	Código Code	Código original Original code	Código Code	Código original Original code
LZ.492	069804	LZ.501	69545	WIN192	69543	LZ.513	69544	LZ.520		LZ.432	69541
LZ.498	046346	LZ.502		WIN192		LZ.515		LZ.521			
LZ.494	046370	LZ.503		WIN193		LZ.516		LZ.522		WIN207	
LZ.497	046574	LZ.504		WIN192		LZ.515		LZ.521			
LZ.496	048304	LZ.505		WIN193		LZ.516		LZ.522			
LZ.493	048885	LZ.506		WIN193		LZ.516		LZ.522		LZ.529	
LZ.500	048216	LZ.507		WIN192		LZ.515		LZ.523			
LZ.491	049057	LZ.508		WIN193		LZ.517		LZ.524		HB.141	
LZ.489	049310			LZ.520		HB.131		LZ.525		HB.141	
LZ.495	049876	LZ.510		WIN193		LZ.519		LZ.526		LZ.529	
LZ.499	047708	LZ.511		WIN192		LZ.515		LZ.527	48059		

ZINCO	DIHR
AQUA 35	G35
AQUA 37	GS37
AQUA 37 LS	GS37 LS
AQUA 40	GS40
AQUA 40 LS	GS40 LS
AQUA 50	GS50
AQUA 80	GS85
K70	G600
HOOD 800	HT11 ECO
HOOD 110	HT11
HOOD 130	HT12