



GAS COMPONENTS



ELECTRIC COMPONENTS



WATER TECHNOLOGY



MECHANICAL COMPONENTS



TOOLS

Spare parts suitable for

ARGION

Find the complete and up-to-date range of products in our GEV Webshop



Manufacturer catalogue

The most important spare parts and accessories arranged clearly for every manufacturer

- ✓ Complete product range and all appliance data always up to date in the GEV Webshop
- ✓ Alphabetical Index at the end of the catalogue

GEV Webshop

www.gev-online.co.uk

www.gev-online.com



- 🔍 Add to Favourites
- 🔍 Sign In with email address and usual password
- 🔍 Easy-order – place several items in your basket at the same time
- 🔍 Quick Item search – no login needed



switches and momentary switches

microswitches

pin-plunger actuated

miscellaneous



1

GEV No.	348187	Ref. No.	HVS1000-47 YJS82YJS820-47
description	microswitch 230V 1NO connection cable 400mm L 58mm L1 38mm		

electronics

PCBs



1

GEV No.	403716	Ref. No.	HSV1000-37
description	display PCB vacuum packing machine HVS1000 L 78mm W 55mm		



1

GEV No.	403715	Ref. No.	HVS1000-42 YJS820-42
description	main PCB vacuum packing machine HVS1000 L 88mm W 75mm		

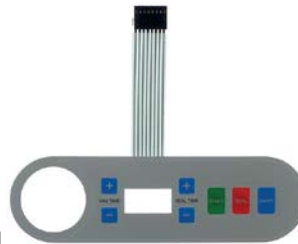


1

GEV No.	403717	Ref. No.	HVS1000-25 YJS820-25
description	PCB vacuum packing machine HVS1000 L 125mm W 100mm		

keypads

membrane keypads



1

GEV No.	403718	Ref. No.	HVS1000-36 YJS820-36
description	membrane keypad vacuum packing machine HVS1000 L 190mm W 55mm		

solenoid valves

solenoid valves (water)

various



1

GEV No.	374094	Ref. No.	HVS1000-45 YJS820-45
description	solenoid valve angled 2-way inlet 4.5mm outlet 4.5mm cable length 300mm		




1

GEV No.	374093	Ref. No.	HVS1000-41 YJS820-41
description	solenoid valve single 2-way 12VDC inlet 11mm outlet 11mm suitable for exit		




1

GEV No.	374092	Ref. No.	HSV1000-26
description	solenoid valve single 2-way 12VDC inlet 11mm outlet 11mm suitable for input		

metal			
ASCO			
spare parts and accessories			
O-rings			
			
1			
GEV No.	371100	Ref. No.	HVS1000-04 YJS820-4
description	O-ring silicone thickness 1.78mm ID ø 6.07mm Qty 1 pcs		


Solenoid valve - accessories

			
1			
GEV No.	371100	Ref. No.	HVS1000-04 YJS820-4
description	O-ring silicone thickness 1.78mm ID ø 6.07mm Qty 1 pcs		

pumps

vacuum pumps

vacuum pumps


			
1			
GEV No.	602111	Ref. No.	HVS1000-30 YJS820-30
description	vacuum pump 220/240V 0.32kW 50Hz type OLF400Z		

electric accessories

plugs - couplings - power sockets


appliance sockets/plugs

low temperature appliances 70°C

			
1			
GEV No.	551334	Ref. No.	HVS1000-38 YJS820-38
description	plug for box mounting receptacles C14 max 10A/250V F4.8		

cables

power supply cables

			
1			
GEV No.	550726	Ref. No.	HVS1000-39 YJS820-39
description	low temperature appliance supply cable CEE7/7 - C15 3-pole contacts P+N+E 1mm ² max. 10A max 250V 2.0m H05VVF T70 2-pole + earthing insulation PVC		

equipment-specific units

for vacuum packers

lids

			
1			
GEV No.	699600	Ref. No.	HVS1000-02 YJS820-2
description	lid L 420mm W 350mm HVS1000		



air cylinders

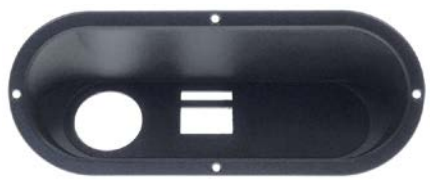
air cylinders



1

GEV No.	692702	Ref. No.	HVS1000-17 YJS820-17
description	air cylinder ø 53mm H 30.5mm shaft length 12.8mm 1 pair		

housing and bezels



1

GEV No.	699610	Ref. No.	HVS1000-34 YJS820-34
description	front panel for vacuum packing machine W 100mm H 40mm HVS1000 L 250mm		

rubber bumper



1

GEV No.	699607	Ref. No.	HVS1000-31 YJS820-31
description	rubber pad H 3mm L 30mm W 20mm 4 pieces		


sealing bars



1


GEV No.	699601	Ref. No.	HVS1000-07 YJS820-7
description	sealing bar L 295mm W 20mm H 24mm		

base plate




1

GEV No.	699617	Ref. No.	HVS1000-24 YJS820-24
description	base plate L 132mm W 105mm H 0.5mm		



1

GEV No.	699611	Ref. No.	HVS1000-01 YJS820-1
description	base plate L 30mm W 30mm H 2mm 1 pair hole ø 5mm		



1

GEV No.	699445	Ref. No.	HVS1000-43 YJS820-43
description	base plate L 95mm W 90mm H 0.5mm		

miscellaneous




1


GEV No.	699603	Ref. No.	HSV1000-05
description	bracket L 298mm W 23mm H 9.5mm		




1


GEV No.	699604	Ref. No.	HVS1000-48 YJS820-48
description	bracket L 38mm W 36mm H 124mm for microswitch		

			
1			
GEV No.	699605	Ref. No.	HVS1000-14 YJS820-14
description	clamp L 95mm W 34mm H 48mm		

			
1			
GEV No.	699608	Ref. No.	HVS1000-10 YJS820-10
description	nut for air inlet thread 1/4"		


			
1			
GEV No.	699613	Ref. No.	HVS1000-13 YJS820-13
description	plug L 9mm W 6mm 1 pair		

			
1			
GEV No.	699602	Ref. No.	HVS1000-06 YJS820-6
description	rubber rail L 298mm W 23mm H 9.5mm for sealing bar		

			
1			
GEV No.	699609	Ref. No.	HVS1000-12 YJS820-12
description	spring L 104mm W 32mm to secure		


handles and hand wheels

bracket handles

			
1			
GEV No.	699606	Ref. No.	HVS1000-03 YJS820-3
description	handle L 140mm H 38mm mounting distance 120mm hole ø 8.5mm		

equipment feet and end caps


bolting feet

			
1			
GEV No.	701555	Ref. No.	HVS1000-40 YJS820-40
description	equipment feet kit ø 39mm H 17mm Qty 4 pcs		

gaskets


O-rings

silicone

			
1			
GEV No.	371100	Ref. No.	HVS1000-04 YJS820-4
description	O-ring silicone thickness 1.78mm ID ø 6.07mm Qty 1 pcs		

special gaskets

for vacuum packers

			
1			
GEV No.	699618	Ref. No.	HVS1000-08 YJS820-8
description	lid gasket L 1365mm		



springs

gas tension springs

gas tension springs



1

GEV No.	701553	Ref. No.	HVS1000-21 YJS820-21
----------------	--------	-----------------	-------------------------

description gas tension spring left 80N D1 ø 6mm D2 ø 15mm L 162mm HVS1000



1

GEV No.	701554	Ref. No.	HVS1000-46 YJS820-46
----------------	--------	-----------------	-------------------------

description gas tension spring right 80N D1 ø 6mm D2 ø 15mm L 162mm HVS1000

manometers



1

GEV No.	542340	Ref. No.	HVS1000-35 YJS820-35
----------------	--------	-----------------	-------------------------

description manometer ø 41mm pressure range 0-1bar connection 5mm

fittings, hose and pipe connectors

hose connectors

without screw connection



1

GEV No.	699612	Ref. No.	HVS1000-15 YJS820-15
----------------	--------	-----------------	-------------------------

description T-piece plastic hose ø 5-5-5mm



1

GEV No.	504817	Ref. No.	HVS1000-29 YJS820-29
----------------	--------	-----------------	-------------------------

description T-piece SS hose ø 10-10-10mm



1

GEV No.	504823	Ref. No.	HVS1000-28 YJS820-28
----------------	--------	-----------------	-------------------------

description cross fitting SS hose ø 10-10-10-10mm L 57mm W 57mm

hose connectors

producer-specific



1

GEV No.	699615	Ref. No.	HVS1000-11 YJS820-11
----------------	--------	-----------------	-------------------------

description hose connector for hose ID 10mm connection 1/4"mm L-shape

fastening material

screws

hexagonal screws



1

GEV No.	699616	Ref. No.	HVS1000-23 YJS820-23
----------------	--------	-----------------	-------------------------

description screw thread M10 thread L 26mm WS 17 Qty 2 pcs head thickness 7mm L 60mm

nuts

hexagonal nuts

DIN 934 / ISO 4032/8673



1

GEV No.	560197	Ref. No.	HVS1000-20 YJS820-20
----------------	--------	-----------------	-------------------------

description nut thread M10 H 8mm WS 17 SS DIN/ISO DIN 934 / ISO 4032/8673 Qty 1 pcs



1

GEV No.	506166	Ref. No.	HVS1000-16 YJS820-16
description	nut thread M12 H 10mm WS 19 SS DIN/ISO DIN 934 / ISO 4032/8673 Qty 1 pcs		

washers

washers

miscellaneous



1

GEV No.	560593	Ref. No.	HVS1000-22 YJS820-22
description	plain washer ID ø 10.5mm ED ø 15.8mm thickness 1mm SS Qty 4 pcs		

A

appliance sockets/plugs 4

C

cables 4

E

electric accessories 4

F

fastening material 7

H

hexagonal nuts 7

hexagonal screws 7

hose connectors 7,7

M

microswitches 3

N

nuts 7

O

O-rings 6

P

plugs - couplings - power sockets 4

power supply cables 4

pumps 4

S

screws 7

solenoid valves 3

switches and momentary switches 3

V

vacuum pumps 4

W

washers 8