



GAS COMPONENTS



ELECTRIC COMPONENTS



WATER TECHNOLOGY



MECHANICAL COMPONENTS



TOOLS

Spare parts suitable for

CECILWARE-GRINDMASTER

Find the complete and up-to-date range of products in our GEV Webshop



Manufacturer catalogue

The most important spare parts and accessories arranged clearly for every manufacturer

- ✓ Complete product range and all appliance data always up to date in the GEV Webshop
- ✓ Alphabetical Index at the end of the catalogue

GEV Webshop

www.gev-online.co.uk

www.gev-online.com




- 🔍 Add to Favourites
- 🔍 Sign In with email address and usual password
- 🔍 Easy-order – place several items in your basket at the same time
- 🔍 Quick Item search – no login needed



heating elements

heating elements for coffee machine



1


GEV No.	417771 ¹	Ref. No.	G197A G197C
description	heating element 3500W 240V heating circuits 1 mounting ø 33mm hole distance 45mm L 303mm W 26mm H 26mm hole ø 10mm tube ø 8mm connection screw connection immersion heater 4 hole flange with fixing kit		

¹with fixing kit

switches and momentary switches

rotary switches

miscellaneous



1


GEV No.	527625	Ref. No.	02678
description	rotary switch 3 1-0-2 type KXZ-G 250V 3A shaft ø 6x4.6mm shaft L 23mm shaft round complete connection spring terminal		

gas valves and ignition boxes





gas control valves

ROBERTSHAW

millivolt controlled valves



1

GEV No.	580031	Ref. No.	L347A L347F	
description	gas valve supply Operator millivolt gas inlet 3/4" NPT gas outlet 3/4" NPT thermocouple connection pilot connection 1/4" CCT type 7000BMVR pressure controller natural gas 3.5" W.C. suitable for ROBERTSHAW			
spare parts for	580031			
	GEV No.	101422	Ref. No.	—
	operator natural gas supply Operator millivolt			
	GEV No.	106109	Ref. No.	—
	locking screw thread 7/16"-24 UNS for pipe ø 1/4" L 16mm brass Qty 1 pcs WS 7/16" (11.113mm) hole ø 6.4mm			
	GEV No.	106121	Ref. No.	—
	pressure controller natural gas 3.5" W.C.			
	GEV No.	580033	Ref. No.	—
	knob suitable for ROBERTSHAW			

ignition parts


pilot burners

ROBERTSHAW

pilot burners

universal series - type 6

Width of caps:
 6CH10 = 1" (25,4mm)
 6CH14 = 1½" (38,1mm)
 6CH24 = 2½" (63,5mm)
 6CH30 = 3" (76,2mm)




1

GEV No.	106346	Ref. No.	F180A F180F
description	pilot burner ROBERTSHAW type 6CH14-10 3 flames natural gas code 22 for pipe ø 1/4" CCT gas connection 1/4" CCTmm		

thermocouples

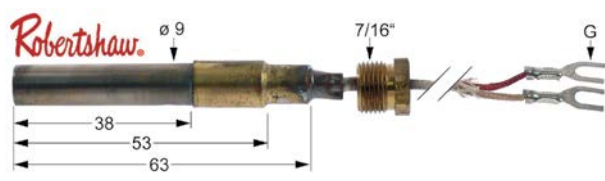
thermocouple sets universal



1

GEV No.	102280	Ref. No.	F002A F002F
description	thermocouple set ROBERTSHAW 5-piece L 18" - 455mm		

thermopiles



1

GEV No.	103246	Ref. No.	F178A
description	thermopile ROBERTSHAW L 36" - 915mm probe ø 9mm probe L 38mm 250-750mV screw connection 7/16" connection spate terminals		

accessories

interrupters



GEV No.	580046	Ref. No.	L115A L115F
description	extension for interruptor L 18" - 455mm		

for pour machines

liquid level pipes

complete



GEV No.	252000	Ref. No.	D001A D001F D024A D024F
description	water level tube H 235mm suitable for CECILWARE		

equipmentspecific units

dosing containers

dosing container lids



GEV No.	527623	Ref. No.	02679
description	lid for dosing container ø 119mm		

glass cylinders



GEV No.	527622	Ref. No.	02681
description	cylinder ø 118mm H 75mm plexiglas		

coffee presses

coffee presses



GEV No.	525108	Ref. No.	02689
description	coffee press ø 57mm H 41mm plastic		

automatic grinding

automatic grinding



GEV No.	527627	Ref. No.	02680
description	housing for dosing container with microswitch		

fittings for catering equipment

dispenser tap

complete



GEV No.	527890	Ref. No.	D007A
description	outlet tap complete ø 40mm inlet 1/2" plastic black		

baskets

fryer baskets

US producers



GEV No.	970182	Ref. No.	V174A V174F
description	fryer basket L1 340mm W1 165mm H1 150mm L2 620mm H2 280mm		

G

gas control valves 3

H

heating elements 3

heating elements for coffee machine 3

P

pilot burners 3

R

rotary switches 3

S

switches and momentary switches 3

T

thermocouples 3