



GAS COMPONENTS



ELECTRIC COMPONENTS



WATER TECHNOLOGY



MECHANICAL COMPONENTS



TOOLS

Spare parts suitable for

CLEVELAND

Find the complete and up-to-date range of products in our GEV Webshop



Manufacturer catalogue

The most important spare parts and accessories arranged clearly for every manufacturer

- ✓ Complete product range and all appliance data always up to date in the GEV Webshop
- ✓ Alphabetical Index at the end of the catalogue

GEV Webshop

www.gev-online.co.uk

www.gev-online.com



- 🔍 Add to Favourites
- 🔍 Sign In with email address and usual password
- 🔍 Easy-order – place several items in your basket at the same time
- 🔍 Quick Item search – no login needed



thermostats

control and safety thermostats

RANCO

thermostats



GEV No.	376067	Ref. No.	077192-2
description	thermostat t.max. 165.6°C 1-pole 1NO probe ø 6.5mm probe L 158mm capillary pipe 600mm capillary pipe isolatedmm shaft ø 6x4.6mm shaft L 20mm shaft position lower		

switches and momentary switches

rocker/momentary rocker switches

37x21mm



GEV No.	348095	Ref. No.	G03054-2
description	rocker switch mounting measurements 37x21mm black 1NO 250V 20A connection male faston 6.3mm ambient temperature max. 125°C protection IP40		



GEV No.	348093	Ref. No.	19992 P03054-1
description	rocker switch mounting measurements 37x21mm black 2CO 250V 10A connection male faston 6.3mm ambient temperature max. 125/55°C protection IP55		

gas valves and ignition boxes

gas control valves

HONEYWELL



GEV No.	107873	Ref. No.	C6056952
description	gas valve type VE420AA1001 230V 50Hz gas inlet 3/4" gas outlet 3/4" pressure range 17-23mbar max 200mbar HONEYWELL suitable for CONVOTHERM 4		

ignition parts

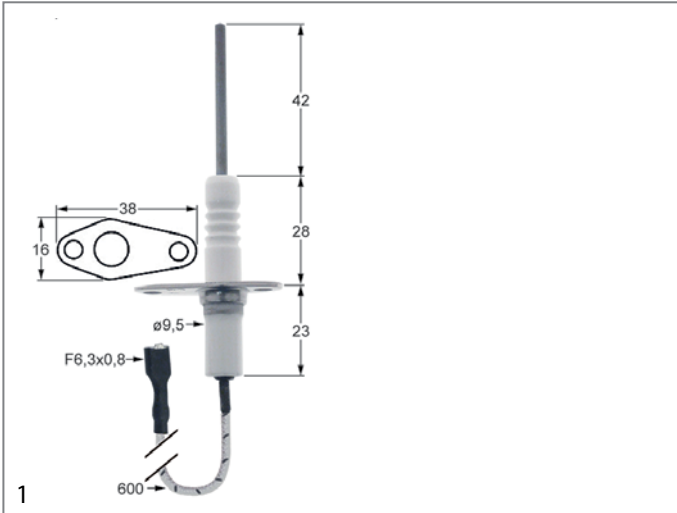
electrodes



GEV No.	102476	Ref. No.	C4018001
description	glow plug conversion kit flange length 41mm flange width 20mm ø 11mm mounting distance 29mm cable length 60mm connection male faston 2.8mm total length 101mm L1 73mm L2 28mm 24V		



GEV No.	102477	Ref. No.	C4018002
description	glow plug conversion kit flange length 41mm flange width 20mm ø 11mm mounting distance 29mm cable length 60mm connection male faston 2.8mm total length 64mm L1 54mm L2 10mm 24V		



GEV No.	109183 ¹	Ref. No.	C4018000
description	monitoring electrode flange length 38mm D1 ø 9.5mm flange width 16mm L1 42mm BL1 28mm BL2 23mm connection F6.3x0.8 cable length 600mm with gasket and shrink tube		

¹with gasket and shrink tube

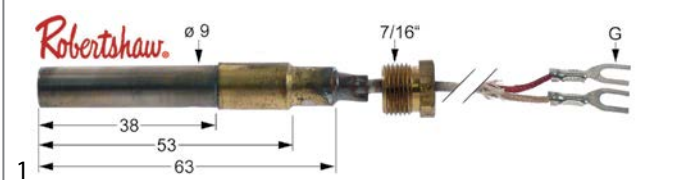
thermocouples

thermocouple sets universal



GEV No.	103226	Ref. No.	KE51111
description	thermocouple set ROBERTSHAW 5-piece L 30" - 760mm ASA 11/32		

thermopiles



GEV No.	103246	Ref. No.	20410
description	thermopile ROBERTSHAW L 36" - 915mm probe ø 9mm probe L 38mm 250-750mV screw connection 7/16" connection spate terminals		

equipment-specific units for convection ovens/combi-steamers

injection pipes



GEV No.	692746	Ref. No.	C6015216
description	injection pipe for combi-steamer H 80mm with gasket and nut ED ø 10mm L 210mm thread M14x1		

drip water trays



GEV No.	699236	Ref. No.	C2616470
description	drip tray L 710mm W 28mm H 22mm		

doors



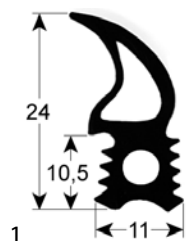
GEV No.	699352	Ref. No.	C2518482
description	inner door glas suitable for CONVOOTHERM P3 H 825mm W 695mm		



gaskets

gaskets for heated units

door seals



GEV No.	902422	Ref. No.	C7011002
description	door seal profile 2715 W 460mm H 770mm outer plug size Qty 1 for model 10.10 series P3 CONVOTHERM		

D

door seals 5

G

gas control valves 3

gaskets for heated units 5

R

rocker/momentary rocker switches 3

S

switches and momentary switches 3

T

thermocouples 4

thermostats 3