



GAS COMPONENTS



ELECTRIC COMPONENTS



WATER TECHNOLOGY



MECHANICAL COMPONENTS



TOOLS

Spare parts suitable for

FUTURMAT

Find the complete and up-to-date range of products in our GEV Webshop



Manufacturer catalogue

The most important spare parts and accessories arranged clearly for every manufacturer

- ✓ Complete product range and all appliance data always up to date in the GEV Webshop
- ✓ Alphabetical Index at the end of the catalogue

GEV Webshop

www.gev-online.co.uk

www.gev-online.com







- 🔍 Add to Favourites
- 🔍 Sign In with email address and usual password
- 🔍 Easy-order – place several items in your basket at the same time
- 🔍 Quick Item search – no login needed







heating elements


heating elements for coffee machine


| | | | |
|---|---|-----------------|-----|
|  | | | |
| 1 | | | |
| GEV No. | 417116 | Ref. No. | N/A |
| description | heating element 1800W 230V heating circuits 2 mounting \varnothing 42mm hole distance 74mm L 240mm W 36mm H 44mm L1 25mm L2 40mm L3 173mm H1 31mm H2 12mm hole \varnothing 9mm tube \varnothing 8.5mm thermostat sleeves \varnothing 6mm length thermostat sleeves 205mm thermostat sleeve not clinging number of thermostat sleeves 1 connection M4 immersion heater 2 hole flange | | |

| | | | |
|---|---|-----------------|----------|
|  | | | |
| 1 | | | |
| GEV No. | 417001 | Ref. No. | 02212439 |
| description | heating element 2600W 230V heating circuits 2 mounting \varnothing 42mm hole distance 74mm L 330mm W 30mm H 60mm L1 23mm L2 65mm L3 202mm H1 30mm H2 30mm hole \varnothing 12mm tube \varnothing 8.5mm thermostat sleeves \varnothing 7mm length thermostat sleeves 195mm thermostat sleeve eccentric, non clinging number of thermostat sleeves 1 connection M6 immersion heater 2 hole flange | | |
| accessories for | 417001 | | |
| | GEV No. | Ref. No. | N/A |
|  | 528002 | | |
| | flat gasket PTFE ED \varnothing 57mm ID \varnothing 42mm thickness 3mm Qty 1 pcs equiv. no. 12001/W10470 suitable for | | |
| | GEV No. | Ref. No. | — |
|  | 528488 | | |
| | flat gasket fibre ED \varnothing 57mm ID \varnothing 42mm thickness 3mm Qty 1 pcs | | |


| | | | |
|---|--|-----------------|-----|
|  | | | |
| 1 | | | |
| GEV No. | 417008 | Ref. No. | N/A |
| description | heating element 2600W 230V heating circuits 2 mounting \varnothing 42mm hole distance 74mm L 360mm W 26mm H 155mm L1 49mm L2 51mm L3 260mm H1 130mm H2 25mm hole \varnothing 9mm tube \varnothing 8mm connection M4 immersion heater 2 hole flange | | |
| spare parts for | 417008 | | |
| | GEV No. | Ref. No. | — |
|  | 528488 | | |
| | flat gasket fibre ED \varnothing 57mm ID \varnothing 42mm thickness 3mm Qty 1 pcs | | |
| accessories for | 417008 | | |
| | GEV No. | Ref. No. | N/A |
|  | 528002 | | |
| | flat gasket PTFE ED \varnothing 57mm ID \varnothing 42mm thickness 3mm Qty 1 pcs equiv. no. 12001/W10470 suitable for | | |

| | | | |
|---|---|-----------------|----------|
|  | | | |
| 1 | | | |
| GEV No. | 417290 | Ref. No. | 08024804 |
| description | heating element 3000W 230V heating circuits 2 mounting \varnothing 42mm hole distance 74mm L 250mm W 28mm H 65mm L1 20mm L2 40mm L3 190mm H1 30mm H2 35mm hole \varnothing 10mm tube \varnothing 8.3mm thermostat sleeves \varnothing 7mm length thermostat sleeves 210mm number of thermostat sleeves 1 connection M4 immersion heater 2 hole flange | | |

| | | | |
|--|--|-----------------|----------|
|  | | | |
| 1 | | | |
| GEV No. | 417108 | Ref. No. | 08148002 |
| description | heating element 3500W 230V heating circuits 2 mounting \varnothing 42mm hole distance 74mm L 380mm W 30mm H 50mm L1 25mm L2 70mm L3 275mm H1 25mm H2 25mm hole \varnothing 10mm tube \varnothing 8.5mm thermostat sleeves \varnothing 7mm length thermostat sleeves 190mm thermostat sleeve not clinging number of thermostat sleeves 1 connection M4 immersion heater 2 hole flange | | |

| | | | |
|--|---|-----------------|----------|
|  | | | |
| 1 | | | |
| GEV No. | 417105 | Ref. No. | 02212538 |
| description | heating element 3700W 230V heating circuits 2 mounting \varnothing 42mm hole distance 74mm L 530mm W 28mm H 50mm L1 30mm L2 75mm L3 400mm H1 25mm H2 25mm hole \varnothing 9mm tube \varnothing 8.4mm thermostat sleeves \varnothing 7.5mm length thermostat sleeves 185mm thermostat sleeve eccentric, non clinging number of thermostat sleeves 1 connection M6 immersion heater 2 hole flange suitable for FAEMA | | |

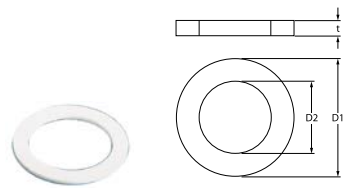
| | | | |
|--|---|-----------------|-------|
|  | | | |
| 1 | | | |
| GEV No. | 417187 | Ref. No. | F..13 |
| description | heating element 3700W 230V heating circuits 2 mounting \varnothing 42mm hole distance 74mm L 570mm W 38mm H 48mm L1 25mm L2 60mm L3 485mm H1 26mm H2 12mm hole \varnothing 10mm tube \varnothing 8mm connection M4 immersion heater 2 hole flange | | |

| | | | |
|---|--|-----------------|----------|
|  | | | |
| 1 | | | |
| GEV No. | 417110 | Ref. No. | 02212637 |
| description | heating element 5000W 230V heating circuits 2 mounting \varnothing 42mm hole distance 74mm L 525mm W 26mm H 45mm L1 25mm L2 80mm L3 420mm H1 30mm H2 15mm hole \varnothing 10mm tube \varnothing 8.5mm thermostat sleeves \varnothing 7mm length thermostat sleeves 210mm thermostat sleeve eccentric, non clinging number of thermostat sleeves 1 connection M6 immersion heater 2 hole flange windings 2 | | |

accessories

sealing washers

PTFE gaskets

| | | | |
|--|---|-----------------|-----|
|  | | | |
| 1 | | | |
| GEV No. | 528002 | Ref. No. | N/A |
| description | flat gasket PTFE ED \varnothing 57mm ID \varnothing 42mm thickness 3mm Qty 1 pcs equiv. no. 12001/W10470 suitable for | | |



thermostats

bi-metal thermostats

bi-metal thermostats



1

| | | | |
|--------------------|---|-----------------|----------|
| GEV No. | 390319 | Ref. No. | 08368400 |
| description | bi-metal thermostat hole distance 23.8mm switch-off temp. 80°C 1NC 1-pole 16A connection F6.3 2 hole fixing | | |

switches and momentary switches

microswitches

pin-plunger actuated



1

| | | | |
|--------------------|--|-----------------|-----|
| GEV No. | 345105 | Ref. No. | N/A |
| description | microswitch with plunger 250V 16A 1CO connection male faston 6.3mm L 28mm ambient temperature max. 125°C mounting distance 22mm type SM-51 actuating force: 280g black | | |

rotary switches

accessories

symbol labels



1

| | | | |
|--------------------|---|-----------------|----------|
| GEV No. | 347265 | Ref. No. | 08283202 |
| description | symbol label 0-1-heating off ø 53mm bore ø 7mm mounting distance 28mm | | |

electronics

PCBs



1

| | | | |
|--------------------|------------------------------------|-----------------|----------|
| GEV No. | 402385 | Ref. No. | 08264301 |
| description | display L 131mm W 47mm with keypad | | |

keypads

front foils



1

| | | | |
|--------------------|---|-----------------|----------|
| GEV No. | 401434 | Ref. No. | 08109600 |
| description | keypad foil coffee machine Arianne/Arieta 1-2-3-4 gr. L 92mm W 26mm buttons 5 | | |



1

| | | | |
|--------------------|-------------------------------------|-----------------|----------|
| GEV No. | 400442 | Ref. No. | 08274201 |
| description | keypad foil L 80mm W 44mm buttons 5 | | |

solenoid valves

solenoid valves (water)

metal

PARKER

spare parts and accessories

valve bodies



1

| | | | |
|----------------|--------|-----------------|--------------|
| GEV No. | 370062 | Ref. No. | FS03 FS09 |
|----------------|--------|-----------------|--------------|

description solenoid valve body PARKER 3-ways outer cone

accessories for 370062



| | | | |
|--------------------|---|-----------------|---|
| GEV No. | 371029 | Ref. No. | — |
| description | solenoid coil PARKER 230VAC 9VA coil type ZB09 seat ø 14mm H 33mm W 34mm D 43mm | | |



| | | | |
|--------------------|---|-----------------|---|
| GEV No. | 371030 | Ref. No. | — |
| description | solenoid coil 24VDC 12VA coil type ZB12 seat ø 14mm | | |



| | | | |
|--------------------|---|-----------------|---|
| GEV No. | 371033 | Ref. No. | — |
| description | solenoid coil PARKER 230VAC 9VA coil type YB09 with cable seat ø 14mm | | |



| | | | |
|--------------------|--|-----------------|---|
| GEV No. | 371036 | Ref. No. | — |
| description | solenoid coil 24VAC 9VA coil type ZB09 seat ø 14mm | | |



| | | | |
|--------------------|---|-----------------|---|
| GEV No. | 371095 | Ref. No. | — |
| description | O-ring Viton thickness 1.78mm ID ø 6.07mm Qty 1 pcs | | |



| | | | |
|--------------------|--|-----------------|---|
| GEV No. | 371100 | Ref. No. | — |
| description | O-ring silicone thickness 1.78mm ID ø 6.07mm Qty 1 pcs | | |



flow meters and flow sensors

flow meters

accessories universal



1

| | | | |
|--------------------|------------------------|-----------------|-----|
| GEV No. | 400319 | Ref. No. | N/A |
| description | adapter for flow meter | | |

pumps


booster pumps II

pump heads

FLUID-O-TECH



1

| | | | |
|---|--|-----------------|-----------------|
| GEV No. | 500064 | Ref. No. | 07822109 |
| description | pump head PO204 FLUID-O-TECH L 82mm 200l/h connection 3/8" GAS with bypass brass clip connection for coffee machine shaft ø 4.8x11mm | | |
| accessories for | 500064 | | |
|  | GEV No. | 520126 | Ref. No. |
| | | | — |
| | clamp for pump/motor | | |

equipment-specific units

for espresso machines

filter holders

filter holders standard

filter holders (complete)



1

| | | | |
|--------------------|---|-----------------|----------|
| GEV No. | 531173 | Ref. No. | 08485800 |
| description | filter holder 1-way suitable for FUTURMAT complete number of wedges 2 | | |



1

| | | | |
|--------------------|---|-----------------|----------|
| GEV No. | 531174 | Ref. No. | 08485900 |
| description | filter holder 2-way suitable for FUTURMAT complete number of wedges 2 | | |

filter holders short



1

| | | | |
|--------------------|---|-----------------|-----|
| GEV No. | 529124 | Ref. No. | N/A |
| description | filter holder mounting ø 82mm outlet 3/8" ID ø 62mm handle M12x1.75 wedge height 10.5mm wedge position horizontal number of wedges 2 lever straight chrome-plated brass | | |



1

| | | | |
|--------------------|--|-----------------|-----|
| GEV No. | 529150 | Ref. No. | N/A |
| description | filter holder mounting ø 82mm outlet 3/8" ID ø 62mm handle M8x1.25 wedge height 10.5mm wedge position horizontal number of wedges 2 lever straight chrome-plated brass | | |

handles

with external thread



1

| | | | |
|--------------------|--|-----------------|-----|
| GEV No. | 529121 | Ref. No. | N/A |
| description | handle for filter holder ø 35mm thread M12 thread L 15mm L 125mm black plastic | | |



1

| | | | |
|--------------------|---|-----------------|-----|
| GEV No. | 529116 | Ref. No. | N/A |
| description | handle ø 35mm thread M12x1.75 thread L 15mm L 120mm | | |

filters

for 1 cup



1

| | | | |
|--------------------|--|-----------------|-----|
| GEV No. | 527631 | Ref. No. | N/A |
| description | coffee filter ø 70mm mounting ø 60.7mm H 17mm cups 1 amount of coffee 8g | | |

brewing units

filter holder gaskets

flat

with bevel 45x2



1

| | | | |
|--------------------|--|-----------------|-----|
| GEV No. | 528042 | Ref. No. | N/A |
| description | filter holder gasket with bevel 45x2 D1 ø 72mm D2 ø 56mm H 8mm | | |


steam/water taps

steam/water taps

steam/water taps



1

| | | | | |
|---|---|-----------------|-----------------|---|
| GEV No. | 529520 | Ref. No. | N/A | |
| description | steam/water tap suitable for FUTURMAT | | | |
| spare parts for | 529520 | | | |
|  | GEV No. | 529251 | Ref. No. | — |
| | O-ring EPDM thickness 2.62mm ID ø 15.08mm Qty 1 pcs | | | |

components

gaskets



1

| | | | |
|--------------------|----------------------------------|-----------------|----------|
| GEV No. | 528648 | Ref. No. | 11181302 |
| description | gasket D1 ø 12.2mm thickness 6mm | | |

steam/water pipes

steam pipes



1

| | | | |
|--------------------|---------------------|-----------------|-----|
| GEV No. | 529521 | Ref. No. | N/A |
| description | steam pipe complete | | |

water pipes



1

| | | | |
|--------------------|--------------------|-----------------|-----|
| GEV No. | 529586 | Ref. No. | N/A |
| description | water pipe L 130mm | | |

fine filters

fine filters



1

| | | | |
|--------------------|----------------------------------|-----------------|----------|
| GEV No. | 529911 | Ref. No. | 02435808 |
| description | fine filter flat ø 11mm H 0.25mm | | |

level glasses

level glasses

level glass pipes



1

| | | | |
|--------------------|---------------------------------|-----------------|----------|
| GEV No. | 529367 | Ref. No. | 08181703 |
| description | water level tube ø 11mm H 108mm | | |

knobs


steam/water taps


steam/water taps



1


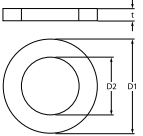
| | | | |
|--------------------|-------------------|-----------------|----------|
| GEV No. | 111063 | Ref. No. | 08185911 |
| description | knob ø 50mm black | | |


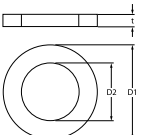
| | | | |
|---|--|-----------------|----------|
|  | | | |
| 1 | | | |
| GEV No. | 111020 | Ref. No. | 07678709 |
| description | knob zero mark white ø 38mm shaft ø 6x5mm shaft flat on both sides black | | |


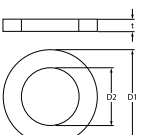
| knob dial plates | | | |
|---|----------------------------|-----------------|----------|
|  | | | |
| 1 | | | |
| GEV No. | 528760 | Ref. No. | 08185804 |
| description | knob adapter ø 45mm L 43mm | | |

gaskets

O-rings


| EPDM | | | |
|---|---|-----------------|----------|
|   | | | |
| 1 | | | |
| GEV No. | 529412 | Ref. No. | 08291007 |
| description | O-ring EPDM thickness 2.62mm ID ø 10.78mm Qty 1 pcs | | |

| Viton | | | |
|---|--|-----------------|----------|
|   | | | |
| 1 | | | |
| GEV No. | 528647 | Ref. No. | 02078004 |
| description | O-ring Viton thickness 2.62mm ID ø 15.08mm Qty 1 pcs | | |


| | | | |
|---|---|-----------------|----------|
|   | | | |
| 1 | | | |
| GEV No. | 528649 | Ref. No. | 02476703 |
| description | O-ring Viton thickness 2mm ID ø 6mm Qty 1 pcs | | |


sealing washers

copper gaskets

| DIN-7603-C | | | |
|---|---|-----------------|----------|
|  | | | |
| 1 | | | |
| GEV No. | 528520 | Ref. No. | 02455103 |
| description | gasket copper ED ø 22mm ID ø 16mm thickness 2mm | | |


PTFE gaskets


| | | | |
|---|--|-----------------|-----|
|  | | | |
| 1 | | | |
| GEV No. | 528524 | Ref. No. | N/A |
| description | flat gasket PTFE ED ø 36.5mm ID ø 30.5mm thickness 2mm Qty 1 pcs | | |

| | | | |
|---|---|-----------------|-----|
|  | | | |
| 1 | | | |
| GEV No. | 528002 | Ref. No. | N/A |
| description | flat gasket PTFE ED ø 57mm ID ø 42mm thickness 3mm Qty 1 pcs equiv. no. 12001/W10470 suitable for | | |

special gaskets

group gaskets

| | | | |
|--|---|-----------------|-----|
|  | | | |
| 1 | | | |
| GEV No. | 528115 | Ref. No. | N/A |
| description | group gasket L 79mm W 72mm thickness 2mm hole distance 55mm suitable for FAEMA/FUTURMAT fibre | | |

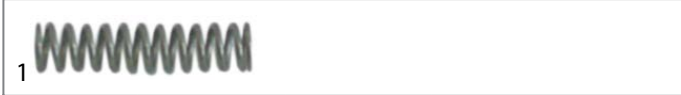
| | | | |
|--|--|-----------------|-----|
|  | | | |
| 1 | | | |
| GEV No. | 528113 | Ref. No. | N/A |
| description | group gasket L 80mm W 23mm thickness 2mm suitable for FAEMA/FUTURMAT | | |

springs

compression springs



| | | | |
|--------------------|---|-----------------|----------|
| GEV No. | 528758 | Ref. No. | 08018707 |
| description | compression spring ø 29.6mm L 28mm wire gauge ø 1.5mm | | |

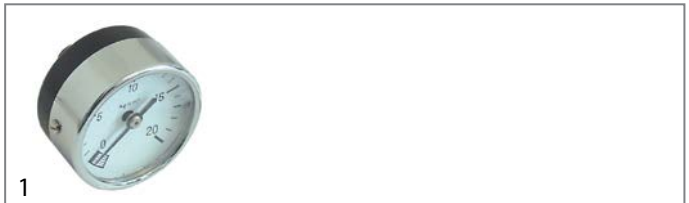


| | | | |
|--------------------|--|-----------------|----------|
| GEV No. | 528668 | Ref. No. | 07507304 |
| description | compression spring ø 6.9mm L 28mm wire gauge ø 1mm | | |

manometers



| | | | |
|--------------------|---|-----------------|----------|
| GEV No. | 541713 | Ref. No. | 08130600 |
| description | manometer double scale ø 60mm pressure range 0-2.5 / 0-16bar connection on the backside thread 1/8" | | |



| | | | |
|--------------------|--|-----------------|-----|
| GEV No. | 541281 | Ref. No. | N/A |
| description | manometer ø 53mm pressure range 0 up to 20bar thread 1/4" connection on the backside | | |

B

| | |
|----------------------|------|
| bi-metal thermostats | 4, 4 |
| booster pumps II | 5 |

F

| | |
|-------------|---|
| flow meters | 5 |
|-------------|---|

H

| | |
|-------------------------------------|---|
| heating elements | 3 |
| heating elements for coffee machine | 3 |

M

| | |
|---------------|---|
| microswitches | 4 |
|---------------|---|

O

| | |
|---------|---|
| O-rings | 7 |
|---------|---|

P

| | |
|-------|---|
| pumps | 5 |
|-------|---|

R

| | |
|-----------------|---|
| rotary switches | 4 |
|-----------------|---|

S

| | |
|---------------------------------|---|
| sealing washers | 7 |
| solenoid valves | 4 |
| switches and momentary switches | 4 |

T

| | |
|-------------|---|
| thermostats | 4 |
|-------------|---|