



**GAS COMPONENTS**



**ELECTRIC COMPONENTS**



**WATER TECHNOLOGY**



**MECHANICAL COMPONENTS**



**TOOLS**

Spare parts suitable for

**GERRINOX**

Find the complete and up-to-date range of products in our GEV Webshop



# Manufacturer catalogue

The most important spare parts and accessories arranged clearly for every manufacturer

- ✓ Complete product range and all appliance data always up to date in the GEV Webshop
- ✓ Alphabetical Index at the end of the catalogue

## GEV Webshop

[www.gev-online.co.uk](http://www.gev-online.co.uk)

[www.gev-online.com](http://www.gev-online.com)




- 🔍 Add to Favourites
- 🔍 Sign In with email address and usual password
- 🔍 Easy-order – place several items in your basket at the same time
- 🔍 Quick Item search – no login needed





## heating elements

### quartz heating elements

1 			
<b>GEV No.</b>	420283	<b>Ref. No.</b>	LP000550
<b>description</b>	quartz heating element 500W 230V L 508mm ø 10mm connection M3		

### heating elements for convection

1 			
<b>GEV No.</b>	416852	<b>Ref. No.</b>	195TL100
<b>description</b>	heating element 2500W 220V heating circuits 1 ID ø 183mm ED ø 195mm L 240mm H 26mm L1 45mm W1 31mm H1 6mm H2 20mm flange length 70mm flange width 22mm hole distance 56mm connection male faston 6.3mm tube ø 6.5mm convection heating element hole ø 5mm rectangular flange		
<b>spare parts for</b>	416852		
	<b>GEV No.</b>	510368	<b>Ref. No.</b> —
	gasket L 70mm W 23.5mm hole ø 5mm hole distance 56mm FIBER thickness 2mm for heating element		

## thermostats


### control and safety thermostats

#### PRODIGY / FIRT

#### control thermostats

1 			
<b>GEV No.</b>	390822	<b>Ref. No.</b>	MC2869300
<b>description</b>	thermostat temperature range 30-90°C 1-pole 1CO 16A probe ø 6.5mm probe L 67mm capillary pipe 1450mm capillary pipe isolated 70mm shaft ø 6x4.6mm shaft L 16mm shaft position lower rotation 270°		

#### safety thermostats



1 			
<b>GEV No.</b>	390823	<b>Ref. No.</b>	MC2869400
<b>description</b>	safety thermostat switch-off temp. 235°C 1-pole 1CO 20A probe ø 6mm probe L 62mm capillary pipe 1600mm capillary pipe isolated 85mm gland nut probe copper connection male faston 6.3mm		

## switches and momentary switches

### rocker/momentary rocker switches

#### 30x22mm

#### labelled

1 			
<b>GEV No.</b>	300125	<b>Ref. No.</b>	MC2869600
<b>description</b>	rocker switch mounting measurements 30x22mm green 2NO 230V 16A 0-I connection male faston 6.3mm ambient temperature max. 125/55°C protection IP65 with cover cap		
<b>accessories for</b>	300125		
	<b>GEV No.</b>	301036	<b>Ref. No.</b> —
	protective cover internal size 30x22mm for rocker switch mounting measurementsmm		


## lamps

### indicator lights

#### indicator lights (complete)

#### ø10mm

#### with plug-in socket

1 			
<b>GEV No.</b>	359140	<b>Ref. No.</b>	MC2854000
<b>description</b>	indicator light ø 10mm yellow 230V connection male faston 6.3mm Qty 1 pcs		



# electronic controllers

## EVCO - EVERY CONTROL

### universal controllers

#### built-in version



<b>GEV No.</b>	378293	<b>Ref. No.</b>	MC2869305
<b>description</b>	electronic controller EVCO mounting measurements 71x29mm 230V voltage AC NTC relay outputs 1 -99 up to +150°C display 4 digits 16A default setting +50 up to +70°C type EVK401N7VHXXX01		
<b>accessories for</b>	378293		
	<b>GEV No.</b>	<b>Ref. No.</b>	—
	temperature probe NTC 10kOhm cable thermoplastic probe -40 up to +110°C cable -40 up to +110°C probe ø6x35mm cable length 3m without screw connection 2-wire		
	<b>GEV No.</b>	<b>Ref. No.</b>	—
	temperature probe NTC 10kOhm cable PVC probe -20 up to +80°C cable -10 up to 100°C probe ø6x25mm cable length 3m 2-wire		
	<b>GEV No.</b>	<b>Ref. No.</b>	—
	temperature probe NTC 10kOhm cable thermoplastic probe -40 up to +110°C cable -40 up to +110°C probe ø6x14mm cable length 1.5m without screw connection 2-wire		
	<b>GEV No.</b>	<b>Ref. No.</b>	—
	temperature probe NTC 10kOhm cable thermoplastic probe -40 up to +110°C cable -40 up to +110°C probe ø6x14mm cable length 3m without screw connection 2-wire		
	<b>GEV No.</b>	<b>Ref. No.</b>	—
	temperature probe NTC 10kOhm cable PVC probe -20 up to +80°C cable -10 up to 100°C probe ø6x25mm cable length 1.5m 2-wire protection IP67		
	<b>GEV No.</b>	<b>Ref. No.</b>	—
	temperature probe NTC 10kOhm cable silicone probe -40 up to +110°C cable -50 up to +180°C probe ø6x40mm cable length 3m 2-wire		
	<b>GEV No.</b>	<b>Ref. No.</b>	—
	temperature probe NTC 10kOhm cable silicone probe -40 up to +110°C cable -50 up to +180°C probe ø6x40mm cable length 1.5m without screw connection 2-wire		
	<b>GEV No.</b>	<b>Ref. No.</b>	—
	temperature probe NTC 2kOhm cable thermoplastic probe -40 up to +110°C cable -40 up to +110°C probe ø6x35mm cable length 2m without screw connection 2-wire resistor 2kOhm		
	<b>GEV No.</b>	<b>Ref. No.</b>	—
	temperature probe NTC 10kOhm cable PVC probe -20 up to +80°C cable -10 up to 100°C probe ø6x40mm cable length 1.5m without screw connection 2-wire		

## miscellaneous

### speed controllers

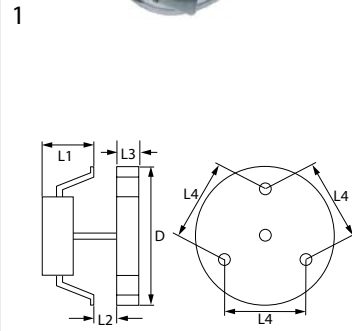


<b>GEV No.</b>	402957	<b>Ref. No.</b>	195TL630
<b>description</b>	speed controller voltage input 230V voltage output 46-184V/115-230VV 1200W max. 10A load current 6A wall-mounted version length external size 135mm width external size 74mm D 72mm for range hoods		

## fans

### hot air fans

#### miscellaneous



<b>GEV No.</b>	601531	<b>Ref. No.</b>	195TL110
<b>description</b>	hot air fan 220V 30W 50Hz L1 70mm L2 12mm L3 30mm L4 87mm fan wheel ø 155mm FIME type C30R0407		



extractor fans

extractor fans



1

<b>GEV No.</b>	601849	<b>Ref. No.</b>	195TL700
<b>description</b>	radial fan 420W 230V 50/60Hz max. 3.6A 1320rpm capacitor 16µF total length 378mm H 387mm outlet height 263mm outlet width 295mm protection IP55		

speed controllers



1

<b>GEV No.</b>	402957	<b>Ref. No.</b>	195TL630
<b>description</b>	speed controller voltage input 230V vottage output 46-184V/115-230VV 1200W max. 10A load current 6A wall-mounted version length external size 135mm width external size 74mm D 72mm for range hoods		

electric accessories

terminals

porcelain clamps

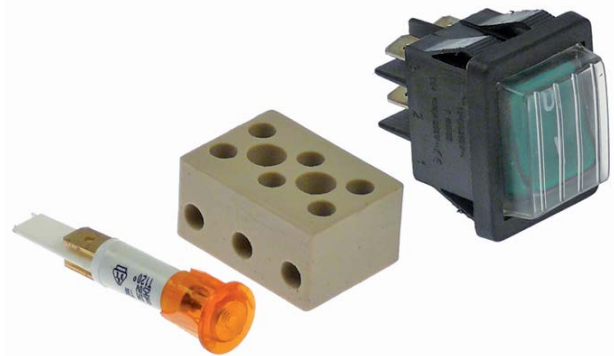


1


<b>GEV No.</b>	555000	<b>Ref. No.</b>	MC2850500
<b>description</b>	porcelain terminal block 3-pole 4mm <sup>2</sup> hole distance 12mm max. 30A max 450V L 34mm W 25mm H 18mm mounting distance 12mm Qty 1 pcs		

miscellaneous

service kits



1

<b>GEV No.</b>	403133	<b>Ref. No.</b>	CP100010	
<b>description</b>	spare parts kit for heated cabinet rocker switch screw clamp indicator light			
<b>accessories for</b>	403133			
	<b>GEV No.</b>	301036	<b>Ref. No.</b>	—
	protective cover internal size 30x22mm for rocker switch mounting measurementsmm			



**E**

electric accessories	5
electronic controllers	4
extractor fans	5

**F**

fans	4
------	---

**H**

heating elements	3
heating elements for convection	3
hot air fans	4

**I**

indicator lights	3
indicator lights (complete)	3

**L**

lamps	3
-------	---

**Q**

quartz heating elements	3
-------------------------	---

**R**

rocker/momentary rocker switches	3
----------------------------------	---

**S**

switches and momentary switches	3
---------------------------------	---

**T**

terminals	5
thermostats	3