



GAS COMPONENTS



ELECTRIC COMPONENTS



WATER TECHNOLOGY



MECHANICAL COMPONENTS



TOOLS

Spare parts suitable for

LAVINOX

Find the complete and up-to-date range of products in our GEV Webshop



Manufacturer catalogue

The most important spare parts and accessories arranged clearly for every manufacturer

- ✓ Complete product range and all appliance data always up to date in the GEV Webshop
- ✓ Alphabetical Index at the end of the catalogue

GEV Webshop

www.gev-online.co.uk

www.gev-online.com



- 🔍 Add to Favourites
- 🔍 Sign In with email address and usual password
- 🔍 Easy-order – place several items in your basket at the same time
- 🔍 Quick Item search – no login needed



heating elements

quartz heating elements

1			
GEV No.	359630	Ref. No.	0661301000
description	infrared lamp 230V 500W L 490mm connection M4 ø 12mm		

coil heating elements

1			
GEV No.	418593	Ref. No.	0617303100
description	heating element 1200W 230V L 305mm W 50mm H 25mm tube ø 8.5mm thread M12x1.25 connection male faston 6.3mm connection length 30mm dry heating element heating circuits 1		

heating elements for convection

1			
GEV No.	418887	Ref. No.	0617301601
description	heating element 2400W 240V heating circuits 1 ID ø 180mm ED ø 192mm L 208mm H 33mm L1 10mm W1 30mm H1 5mm H2 27mm flange length 100mm flange width 22mm hole distance 86mm connection male faston 6.3mm connection length 36mm tube ø 6.3mm convection heating element mounting thread M4 rectangular flange heated cabinet		

switches and momentary switches

rocker/momentary rocker switches

30x22mm

1				
GEV No.	301003	Ref. No.	0641303900	
description	rocker switch mounting measurements 30x22mm green 2NO 250V 16A illuminated 0-I connection male faston 6.3mm ambient temperature max. 125/55°C protection IP65			
accessories for	301003			
	GEV No.	301036	Ref. No.	—
	protective cover internal size 30x22mm for rocker switch mounting measurementsmm			

labelled

1				
GEV No.	300125	Ref. No.	0660800901	
description	rocker switch mounting measurements 30x22mm green 2NO 230V 16A 0-I connection male faston 6.3mm ambient temperature max. 125/55°C protection IP65 with cover cap			
accessories for	300125			
	GEV No.	301036	Ref. No.	—
	protective cover internal size 30x22mm for rocker switch mounting measurementsmm			

relays

power relays

with bracket mounting

1			
GEV No.	380139	Ref. No.	0648301900
description	power relays FINDER 230VAC 16A 2CO connection F6.3 bracket mounting dimensions 68x38.2x35.8mm manuf. no. 62.82.8.230.0000		

electronic controllers

EVCO - EVERY CONTROL

universal controllers

built-in version

1				
GEV No.	378293	Ref. No.	0646305702	
description	electronic controller EVCO mounting measurements 71x29mm 230V voltage AC NTC relay outputs 1 -99 up to +150°C display 4 digits 16A default setting +50 up to +70°C type EVK401N7VHXXX01			
accessories for	378293			
	GEV No.	378261	Ref. No.	—
	temperature probe NTC 10kOhm cable thermoplastic probe -40 up to +110°C cable -40 up to +110°C probe ø6x35mm cable length 3m without screw connection 2-wire			
	GEV No.	379057	Ref. No.	—
	temperature probe NTC 10kOhm cable PVC probe -20 up to +80°C cable -10 up to 100°C probe ø6x25mm cable length 3m 2-wire			
	GEV No.	379160	Ref. No.	0646305800
	temperature probe NTC 10kOhm cable thermoplastic probe -40 up to +110°C cable -40 up to +110°C probe ø6x14mm cable length 1.5m without screw connection 2-wire			

Table continues overleaf



accessories for		378293	
GEV No.	379161	Ref. No.	—
	temperature probe NTC 10kOhm cable thermoplastic probe -40 up to +110°C cable -40 up to +110°C probe ø6x14mm cable length 3m without screw connection 2-wire		
GEV No.	379342	Ref. No.	—
	temperature probe NTC 10kOhm cable PVC probe -20 up to +80°C cable -10 up to 100°C probe ø6x25mm cable length 1.5m 2-wire protection IP67		
GEV No.	379343	Ref. No.	—
	temperature probe NTC 10kOhm cable silicone probe -40 up to +110°C cable -50 up to +180°C probe ø6x40mm cable length 3m 2-wire		
GEV No.	379458	Ref. No.	—
	temperature probe NTC 10kOhm cable silicone probe -40 up to +110°C cable -50 up to +180°C probe ø6x40mm cable length 1.5m without screw connection 2-wire		
GEV No.	379784	Ref. No.	—
	temperature probe NTC 2kOhm cable thermoplastic probe -40 up to +110°C cable -40 up to +110°C probe ø6x35mm cable length 2m without screw connection 2-wire resistor 2kOhm		
GEV No.	379860	Ref. No.	—
	temperature probe NTC 10kOhm cable PVC probe -20 up to +80°C cable -10 up to 100°C probe ø6x40mm cable length 1.5m without screw connection 2-wire		

probes

universal probes

temperature probes



GEV No.	379160	Ref. No.	0646305800
description	temperature probe NTC 10kOhm cable thermoplastic probe -40 up to +110°C cable -40 up to +110°C probe ø6x14mm cable length 1.5m without screw connection 2-wire		

fans

cross flow fans

COPREL

with standard coil



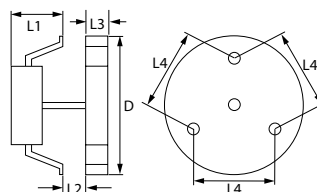
GEV No.	601102	Ref. No.	682301800
description	cross flow fan TFL 45 roller ø 45mm roller length 300mm motor position left 230V/50Hz 35W refrigeration bearing rubber connection male faston 6.3mm airflow 268m ³ /h -10 up to +60°C 230V 50Hz		

hot air fans

miscellaneous



1



GEV No.	601011	Ref. No.	0682300800	
description	hot air fan 220-240V 40W 50/60Hz L1 65mm L2 15mm L3 25mm L4 87mm fan wheel ø 150mm FIME type C25R8023CLH			
accessories for	601011			
	GEV No.	550879	Ref. No.	—
	insulation ø 130mm thickness 3mm hole ø 20mm for hot air fan			
	GEV No.	601260	Ref. No.	—
	nut thread M6L IT for hot air fan			

electric accessories

terminals

porcelain clamps



1

GEV No.	555001	Ref. No.	0639803201
description	porcelain terminal block 2-pole 6mm ² max. 30A max 450V L 26mm W 24mm H 20mm mounting distancemm Qty 1 pcs		



equipment-specific units

for sliding doors

miscellaneous



1

GEV No.	690570	Ref. No.	0140403100
description	rubber pad		

hinges

piano hinges

producer-specific

COOKMAX



1

GEV No.	701171	Ref. No.	0511304900
description	hinge W 31mm mounting distance 30mm thickness 1mm total length 40mm set		

LAVINOX



1

GEV No.	701171	Ref. No.	0511304900
description	hinge W 31mm mounting distance 30mm thickness 1mm total length 40mm set		

miscellaneous



1

GEV No.	690000	Ref. No.	0511304200
description	hinge		

pullouts

drawer slides



1

GEV No.	696495	Ref. No.	0830349500
description	telescopic slide pair L 500mm W 13mm H 32mm		



1

GEV No.	696494	Ref. No.	0830348600
description	telescopic slide pair L 600mm W 13mm H 32mm		

rollers


roller with holder



1

GEV No.	690713	Ref. No.	0855358100
description	roller rollerø 22mm B1 6mm with holder SS/brass mounting pos. right door (right) bearing ball bearing Qty 1 pcs H 11mm L 64mm mounting distance 38/50mm		

accessories for


	GEV No.	690570	Ref. No.	0140403100
				rubber pad




1


GEV No.	690568	Ref. No.	0855320600
description	roller rollerø 22mm B1 6mm with holder SS/Nylon bearing ball bearing Qty 1 pcs H 12mm L 64mm mounting distance 38/50mm		


accessories for

	GEV No.	690570	Ref. No.	0140403100
				rubber pad

			
1			
GEV No.	690569	Ref. No.	0855309801
description	roller rollerø 22mm B1 6mm with holder SS/Nylon mounting pos. at the back left bearing ball bearing Qty 1 pcs L 63mm mounting distance 38/50mm		

			
1			
GEV No.	690567	Ref. No.	0855309701
description	roller rollerø 22mm B1 6mm with holder SS/Nylon mounting pos. left door bearing ball bearing Qty 1 pcs H 12mm L 64mm mounting distance 38/50mm		


			
1			
GEV No.	690711	Ref. No.	0855309601
description	roller rollerø 22mm B1 6mm with holder SS/Nylon mounting pos. right door (left) bearing ball bearing Qty 1 pcs H 11mm L 63mm mounting distance 38/50mm		

accessories			
			
1			
GEV No.	690570	Ref. No.	0140403100
description	rubber pad		

equipment feet and end caps


equipment feet

with screw mounting

			
1			
GEV No.	701172	Ref. No.	0805318400
description	equipment foot tube ø 52mm thread M10 thread L 18mm H 140/195mm SS size 2" Qty 1 pcs		

bullet feet

plastic/SS


			
1			
GEV No.	700869	Ref. No.	0805324100
description	equipment foot pipe type 40x40 thickness 1-1.2mm H 23-92mm plastic/SS Qty 1 pcs		

DERBY RUOTE

with fixing plate

chrome-plated steel


			
1			
GEV No.	701173	Ref. No.	0961300001
description	swivel castor ø 125mm plate fixing housing chrome-plated sheet steel plate size 95x70mm hole distance 50x70mm capacity 80kg bearing slide bearing wheel body polypropylene tread TPE tyres H 162mm wheel width 30mm Qty 1 pcs		

			
1			
GEV No.	701174	Ref. No.	0961300101
description	swivel castor with swivel brake ø 125mm plate fixing housing chrome-plated sheet steel plate size 95x70mm hole distance 50x70mm capacity 80kg bearing slide bearing wheel body polypropylene tread TPE tyres H 162mm wheel width 30mm Qty 1 pcs		

shelves and shelf rails

shelf rails and supports

producer-specific

			
1			
GEV No.	690626	Ref. No.	0531306100
description	shelf support L 32mm W 14mm H 20mm		



drain systems and wash basins


standpipes

producer-specific

LAVINOX




1

GEV No.	515133	Ref. No.	0830318600
description	drain fitting size 1½" usable heightmm overall heightmm SS		
accessories for	515133		
	GEV No.	515134	Ref. No. 0515373900
	standpipe size 1½" usable height 225mm overall height 250mm ED ø 40mm SS		



1

GEV No.	515134	Ref. No.	0515373900
description	standpipe size 1½" usable height 225mm overall height 250mm ED ø 40mm SS		
accessories for	515133		
	GEV No.	515133	Ref. No. 0830318600
	drain fitting size 1½" usable heightmm overall heightmm SS		

C

castors and bumper angles	6
coil heating elements	3
cross flow fans	4

D

drain systems and wash basins	7
-------------------------------	---

E

electric accessories	4
electronic controllers	3

F

fans	4
------	---

H

heating elements	3
heating elements for convection	3
hot air fans	4

P

piano hinges	5
probes	4

Q

quartz heating elements	3
-------------------------	---

R

relays	3
rocker/momentary rocker switches	3

S

shelves and shelf rails	6
standpipes	7
switches and momentary switches	3

T

temperature probes	4
terminals	4

U

universal probes	4
------------------	---