



GAS COMPONENTS



ELECTRIC COMPONENTS



WATER TECHNOLOGY



MECHANICAL COMPONENTS



TOOLS

Spare parts suitable for

MAIRALI

Find the complete and up-to-date range of products in our GEV Webshop



Manufacturer catalogue

The most important spare parts and accessories arranged clearly for every manufacturer

- ✓ Complete product range and all appliance data always up to date in the GEV Webshop
- ✓ Alphabetical Index at the end of the catalogue

GEV Webshop

www.gev-online.co.uk

www.gev-online.com





- 🔍 Add to Favourites
- 🔍 Sign In with email address and usual password
- 🔍 Easy-order – place several items in your basket at the same time
- 🔍 Quick Item search – no login needed



heating elements

heating elements for coffee machine

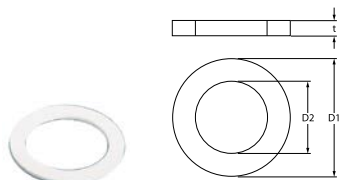
			
1			
GEV No.	417116	Ref. No.	N/A
description	heating element 1800W 230V heating circuits 2 mounting \varnothing 42mm hole distance 74mm L 240mm W 36mm H 44mm L1 25mm L2 40mm L3 173mm H1 31mm H2 12mm hole \varnothing 9mm tube \varnothing 8.5mm thermostat sleeves \varnothing 6mm length thermostat sleeves 205mm thermostat sleeve not clinging number of thermostat sleeves 1 connection M4 immersion heater 2 hole flange		

			
1			
GEV No.	417105	Ref. No.	02212538
description	heating element 3700W 230V heating circuits 2 mounting \varnothing 42mm hole distance 74mm L 530mm W 28mm H 50mm L1 30mm L2 75mm L3 400mm H1 25mm H2 25mm hole \varnothing 9mm tube \varnothing 8.4mm thermostat sleeves \varnothing 7.5mm length thermostat sleeves 185mm thermostat sleeve eccentric, non clinging number of thermostat sleeves 1 connection M6 immersion heater 2 hole flange suitable for FAEMA		

accessories

sealing washers

PTFE gaskets

			
1			
GEV No.	528002	Ref. No.	N/A
description	flat gasket PTFE ED \varnothing 57mm ID \varnothing 42mm thickness 3mm Qty 1 pcs equiv. no. 12001/W10470 suitable for		

keypads


front foils

			
1			
GEV No.	402386	Ref. No.	08272106
description	keypad foil grey L 80mm W 44mm buttons 5		

flow meters and flow sensors

flow meters

accessories universal



			
1			
GEV No.	400319	Ref. No.	N/A
description	adapter for flow meter		

pumps

booster pumps II

pump heads

FLUID-O-TECH

			
1			
GEV No.	500064	Ref. No.	07822109
description	pump head PO204 FLUID-O-TECH L 82mm 200l/h connection 3/8" GAS with bypass brass clip connection for coffee machine shaft \varnothing 4.8x11mm		
accessories for	500064		
	GEV No.	520126	Ref. No.
			—
			
	clamp for pump/motor		

equipment-specific units


for espresso machines

filter holders

filter holders standard

handles

with bore

			
1			
GEV No.	529117	Ref. No.	N/A
description	handle \varnothing 31mm aperture 10x10mm L 135mm black		



1

GEV No.	529047	Ref. No.	N/A
----------------	--------	-----------------	-----

description	handle ø 35mm aperture 13x13mm L 95mm black		
--------------------	---	--	--

gaskets

sealing washers

PTFE gaskets



1

GEV No.	528002	Ref. No.	N/A
----------------	--------	-----------------	-----

description	flat gasket PTFE ED ø 57mm ID ø 42mm thickness 3mm Qty 1 pcs equiv. no. 12001/W10470 suitable for		
--------------------	--	--	--

manometers



1

GEV No.	541578	Ref. No.	N/A
----------------	--------	-----------------	-----

description	manometer double scale ø 60mm pressure range 0-2.5 / 0-16bar connection on the backside thread 1/8"		
--------------------	--	--	--



1

GEV No.	541247	Ref. No.	N/A
----------------	--------	-----------------	-----

description	manometer ø 52mm pressure range 0 up to 2bar connection on the backside marking 1.6 thread 1/8"		
--------------------	--	--	--

B

booster pumps II 3

F

flow meters 3

H

heating elements 3

heating elements for coffee machine 3

P

pumps 3

S

sealing washers 4