



**SIT**spa

# **Technical Bulletin**

**2023-012**

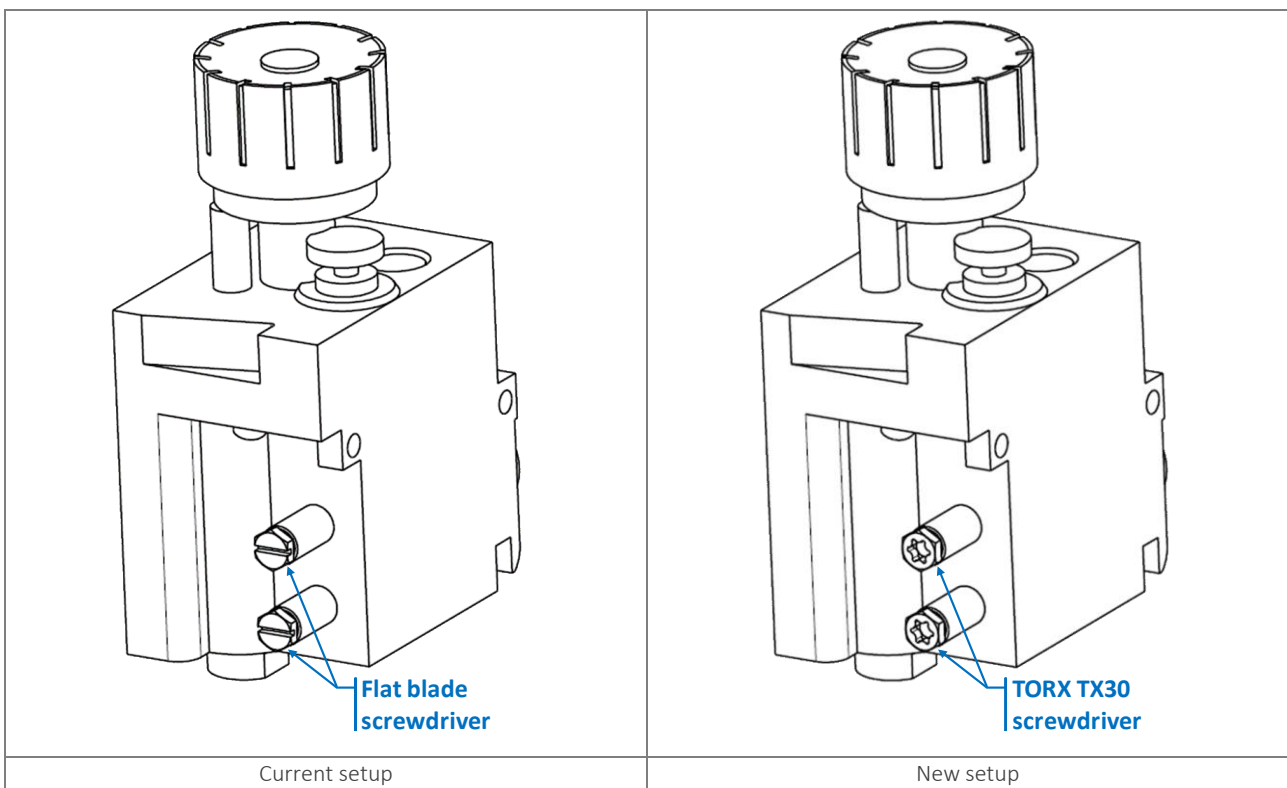
**Change of the PTP screws of Eurosit**

July, 2023



## Description

We inform you that, with the aim of improvement of the product and of the production process, we planned to change the pressure test point screws (PTP screws) of some codes of Eurosit: the change is shown in the below pictures. The screws are classic hexagonal and in the current version, they allow the handling also with a flat blade screwdriver. With the new version, a TORX TX30 screwdriver shall be used in place of the flat blade.



The change will involve the following Eurosit codes:

0630001	0630025	0630046	0630066	0630203	0630330	0630344	0630708
0630011	0630026	0630047	0630068	0630204	0630331	0630345	0630802
0630012	0630027	0630052	0630093	0630206	0630332	0630346	0630810
0630013	0630029	0630054	0630094	0630305	0630334	0630347	
0630014	0630036	0630057	0630100	0630307	0630335	0630348	
0630015	0630037	0630058	0630101	0630309	0630336	0630349	
0630019	0630038	0630061	0630102	0630325	0630337	0630350	
0630021	0630039	0630063	0630103	0630326	0630338	0630352	
0630023	0630043	0630064	0630104	0630327	0630340	0630704	
0630024	0630045	0630065	0630201	0630328	0630343	0630705	

The introduction of the new screws is foreseen to be implemented within November 2023.

No changes in performances, specifications, or codes are going to be introduced.