

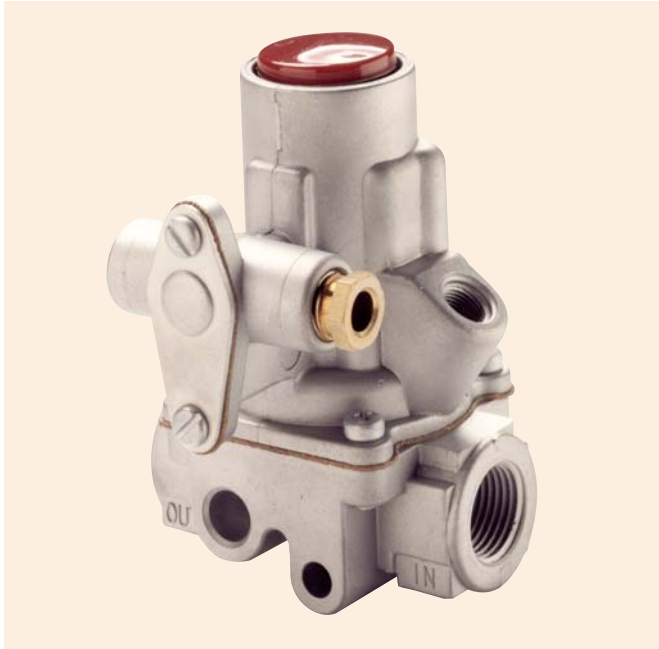
Thermocouple-Operated Single Gas Valves





H15 Series BASO® Automatic Shutoff Pilot Gas Valve

BASO Gas Products LLC



Description

The H15 Series automatic pilot valves provide safe lighting and complete shutoff of pilot and main burner gas in the event that the flame heating the thermocouple is extinguished. They are designed for standing pilot applications and can be used with natural gas and LP gas, at pressures up to 0.5 psi. Typical applications include commercial cooking equipment, heaters, kilns, dishwashing equipment, industrial ovens, and similar applications. Sizes range from 3/8 in. to 1 in. NPT and both standard and high temperature models are available. The optional rotor “B” valve allows for pilot flame adjustment.

Specifications

- Maximum inlet pressure is 0.5 psi
- Permissible ambient (surface) temperature is
-30 to 175°F (-34 to 80°C) models without rotor valve
32 to 175°F (0 to 80°C) models with rotor valve
-20 to 300°F (-29 to 150°C) H15_B and H15_R models only
- High temperature model allows for use in valve surface temperatures up to 300°F

Agency Listing

- CSA (AGA/CGA) Certificate Number 229521-1656080
- Australian Gas Association Certificate Number 4236
- EN/EC Type Examination Certificate Number E3735 (models without rotor B valve only)
- UL Recognized File Number MH2926 (H15CA, and DA models only)

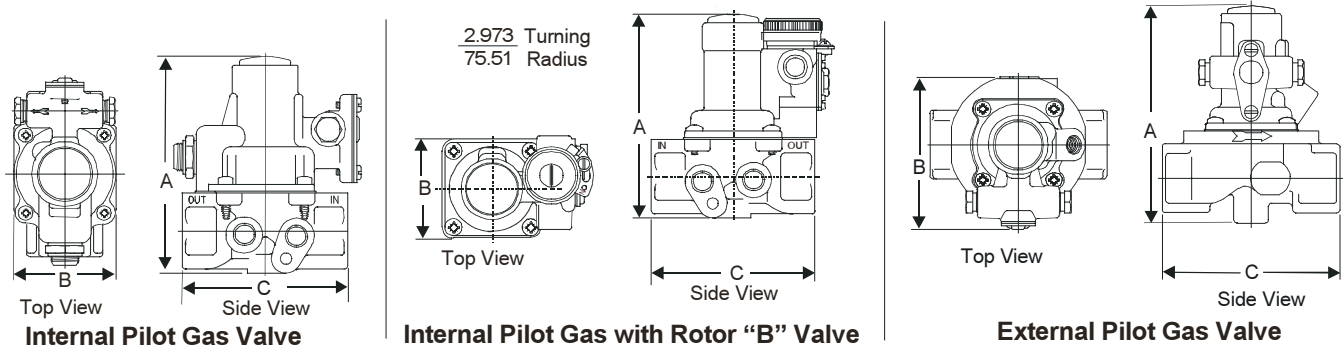
To Order

To order genuine BASO products, call 1-877-227-6427 (1-877-BASOGAS). Specify the code number from the following selection chart.

Other models may be made available depending upon customer requirements. Contact BASO Gas Products for availability of products not shown.

Selection Chart

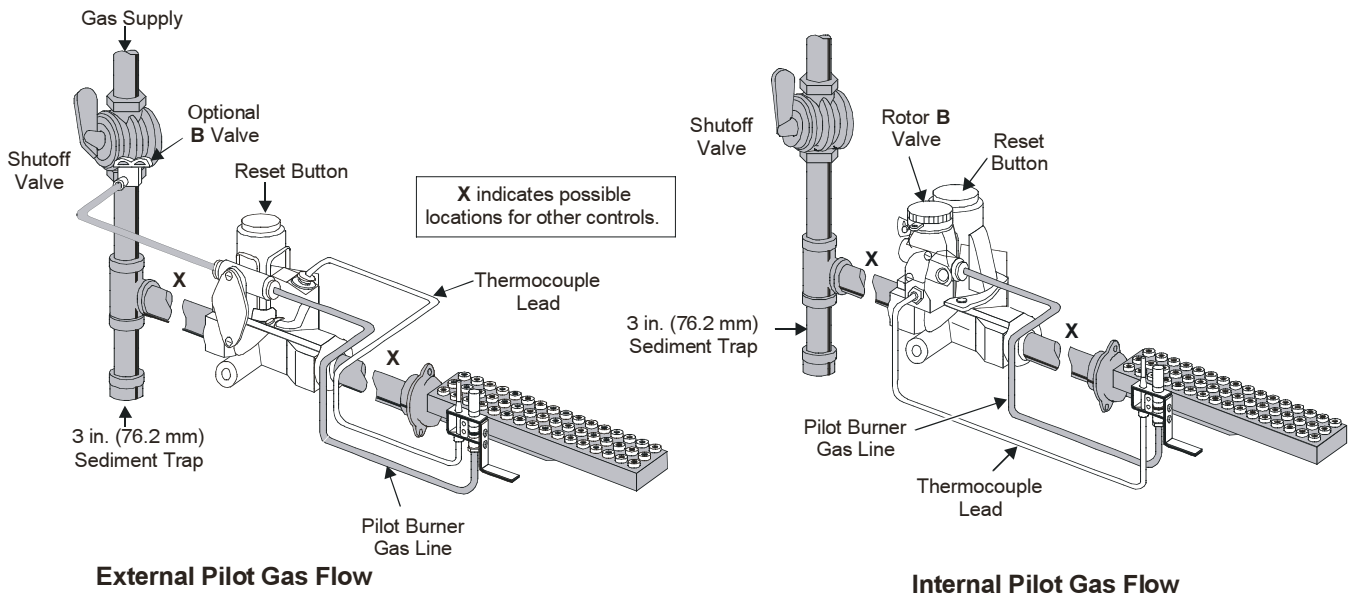
Code Number	Inlet and Outlet Female NPT	Natural Gas Capacity Btu/hr at 1 in. Pressure Drop	Pilot Tap (in.)	Pressure Tap	Pilot Gas Flow/Rotor “B” Valve
H15AB-3	3/8 in. x 3/8 in.	172,000	1/8-27 NPT over inlet	None	Internal/No
H15AR-3		163,000	1/8-27 NPT over inlet	None	External/No
H15CA-1	1/2 in. x 1/2 in.	322,000	1/8-27 NPT over inlet	None	Internal/No
H15CB-2		322,000	1/8-27 NPT over inlet	None	Internal/No
H15CQ-3		322,000	(2) 1/4 cc left	None	External/No
H15CQ-6		322,000	(2) 1/4 cc right	1/8-27 NPT left and right	External/No
H15DA-3*		402,000	1/8-27 NPT over inlet	None	Internal/No
H15DA-4	3/4 in. x 3/4 in. *packaged with 3/4 to 1/2 in. and 3/4 to 3/8 in. reducer bushings	402,000	1/8-27 NPT left and right	1/8-27 NPT left and right	Internal/No
H15DB-1		402,000	1/8-27 NPT over inlet	None	Internal/No
H15DQ-2		402,000	(2) 1/4 cc right	1/8-27 NPT left and right	External/No
H15DH-3*	1 in. x 1 in.	402,000	1/4 cc over outlet	None	Internal/Yes
H15EQ-3*		540,000	(2) 1/4 cc right	None	External/No
H15FA-1		610,000	1/8-27 NPT over inlet	None	Internal/No
H15FQ-1	3/8 in. x 3/8 in.	610,000	(2) 1/4 cc right	None	External/No
H15HQ-5		172,000	1/4 cc left	None	External/No
H15HR-2		172,000	(2) 3/16 cc left	None	External/No
H15HR-6		172,000	(2) 1/4 cc right	None	External/No
		172,000	(2) 1/4 cc right	None	External/No



H15 Dimensions

Dimensions

Code Number	A Height		B Width		C Length	
	in.	mm	in.	mm	in.	mm
H15AB-3	3.69	94	1.81	46	2.90	74
H15AR-3	3.69	94	1.93	49	2.90	74
H15CA-1	3.93	100	1.93	49	3.40	86
H15CB-2	3.93	100	1.93	49	3.40	86
H15CQ-3	3.93	100	1.93	49	3.40	86
H15CQ-6	3.93	100	1.93	49	3.40	86
H15DA-3	3.93	100	1.93	49	3.40	86
H15DA-4	3.93	100	1.93	49	3.40	86
H15DB-1	3.93	100	1.93	49	3.40	86
H15DQ-2	3.93	100	1.93	49	3.40	86
H15DH-3	4.62	117	3.00	76	3.50	89
H15EQ-3	4.12	105	3.00	74	2.56	65
H15FA-1	4.62	117	2.68	68	3.50	89
H15FQ-1	4.62	117	3.00	76	3.50	89
H15HQ-5	3.81	97	2.59	66	2.56	65
H15HR-2	3.81	97	2.59	66	2.56	65
H15HR-6	3.81	97	2.59	66	2.56	65



Typical H15 Installation



H17 Series BASO® Automatic Shutoff Pilot Gas Valve

BASO Gas Products LLC



Description

The H17 Series automatic pilot valves provide safe lighting and complete shutoff in the event that the flame heating the thermocouple is extinguished. They are designed for standing pilot applications and can be used with natural gas and LP gas, at pressures up to 0.5 psi. Depressing the reset button allows gas to flow to both the pilot and main burner. Typical applications include room heaters, infrared heaters, stand-alone portable heaters, catalytic heaters, refrigerators, and similar applications. Sizes range from 1/8 in. to 1/2 in. NPT and both standard and high temperature models are available.

Specifications

- Maximum inlet pressure is 0.5 psi
- Permissible ambient (surface) temperature is
 -40 to 150°F (-40 to 66°C) standard models
 -40 to 300°F (-40 to 150°C) high temperature models

Agency Listing

- CSA (AGA/CGA) Certificate Number 229521-1656088
- UL Recognized File Number MH2926 (H17AA, BA, and CA models only)

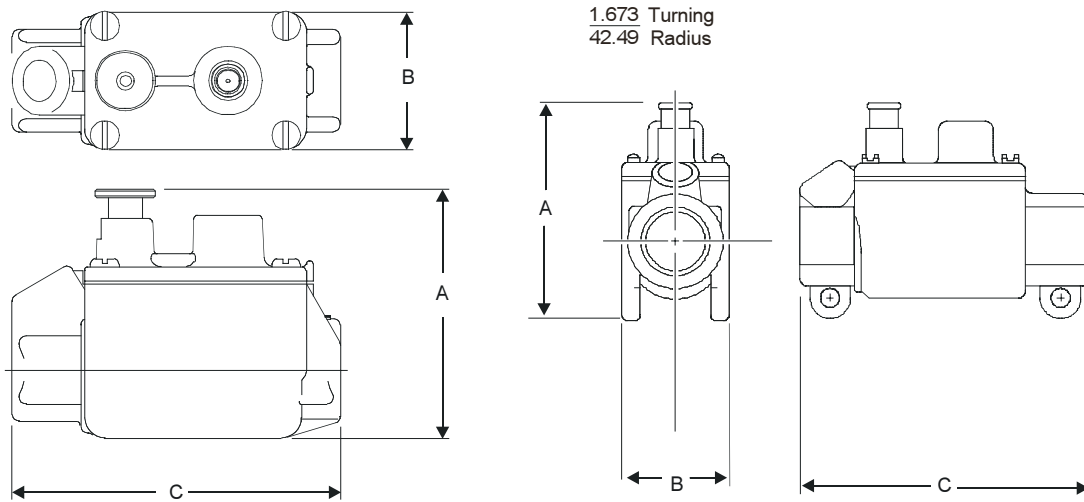
To Order

To order genuine BASO products, call 1-877-227-6427 (1-877-BASOGAS) Specify the code number from the following selection chart.

Other models may be made available depending upon customer requirements. Contact BASO Gas Products for availability of products not shown.

Selection Chart

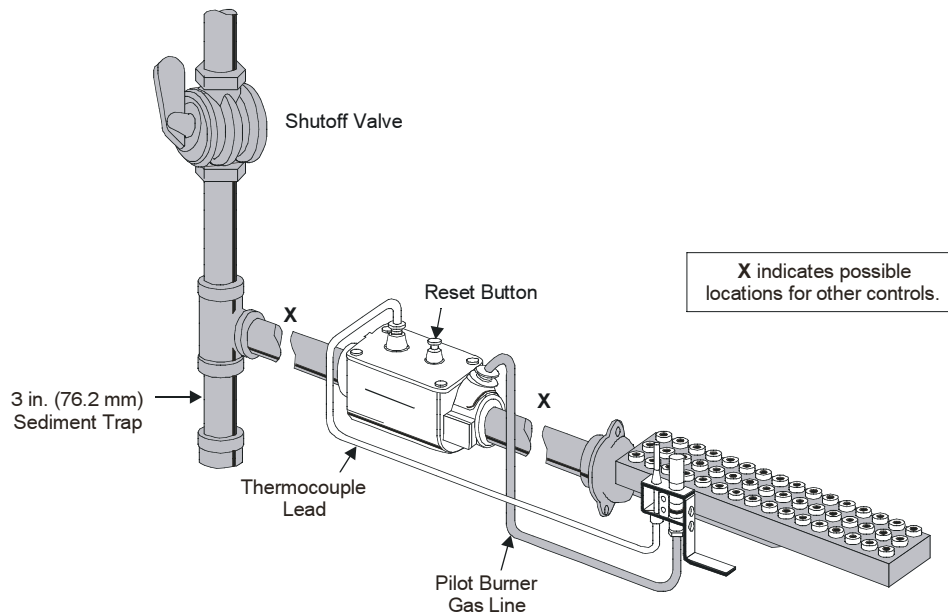
Code Number	Inlet and Outlet Female NPT	Natural Gas Capacity Btu/hr at 1 in. Pressure Drop	Pilot Tap (in.)	Temperature Range
H17AA-2	1/8 in. x 1/8 in.	54,000	1/8-27 NPT over outlet	Standard (150°F)
H17AB-2				High Temperature (300°F)
H17BA-2	1/4 in. x 1/4 in.	94,000		Standard (150°F)
H17BA-6				Standard (150°F)
H17BB-1				High Temperature (300°F)
H17CA-2	3/8 in. x 3/8 in.	133,000		Standard (150°F)
H17CB-3				High Temperature (300°F)
H17CB-5				High Temperature (300°F)
H17DA-4				Standard (150°F)
H17DB-5	1/2 in. x 1/2 in.	165,000		High Temperature (300°F)



H17 Dimensions

Dimensions

Code Number	A Height		B Width		C Length	
	in.	mm	in.	mm	in.	mm
H17AA-2	2.28	58	1.25	32	3.00	76
H17AB-2	2.28	58	1.25	32	3.00	76
H17BA-2	2.28	58	1.25	32	3.00	76
H17BA-6	2.28	58	1.25	32	3.00	76
H17BB-1	2.28	58	1.25	32	3.00	76
H17CA-2	2.28	58	1.25	32	3.00	76
H17CB-3	2.28	58	1.25	32	3.00	76
H17CB-5	2.28	58	1.25	32	3.00	76
H17DA-4	2.62	67	1.25	32	3.43	87
H17DB-5	2.62	67	1.25	32	3.43	87



Typical H17 Installation



H19 Series BASO® Automatic Shutoff Pilot Gas Valve

BASO Gas Products LLC



Description

The H19 Series gas valve provides complete shutoff in the event that the flame heating the thermocouple is extinguished. Typical applications include heaters, commercial cooking equipment, and similar applications. The H19ME valve is for use in catalytic heater applications only and provides a lower milliamp dropout range. The H19 valve can be used with natural gas and LP gas, at pressures up to 0.5 psi. The optional rotor "B" valve allows for pilot flame adjustment.

Specifications

- Maximum inlet pressure is 0.5 psi
- Permissible ambient (surface) temperature for H19A_ is 32 to 150°F (0 to 66°C)
H19ME is -40 to 150°F (-40 to 66°C)

Agency Listing

- CSA (AGA/CGA) Certificate Number 229521-1656106
- UL Recognized File Number MH2926

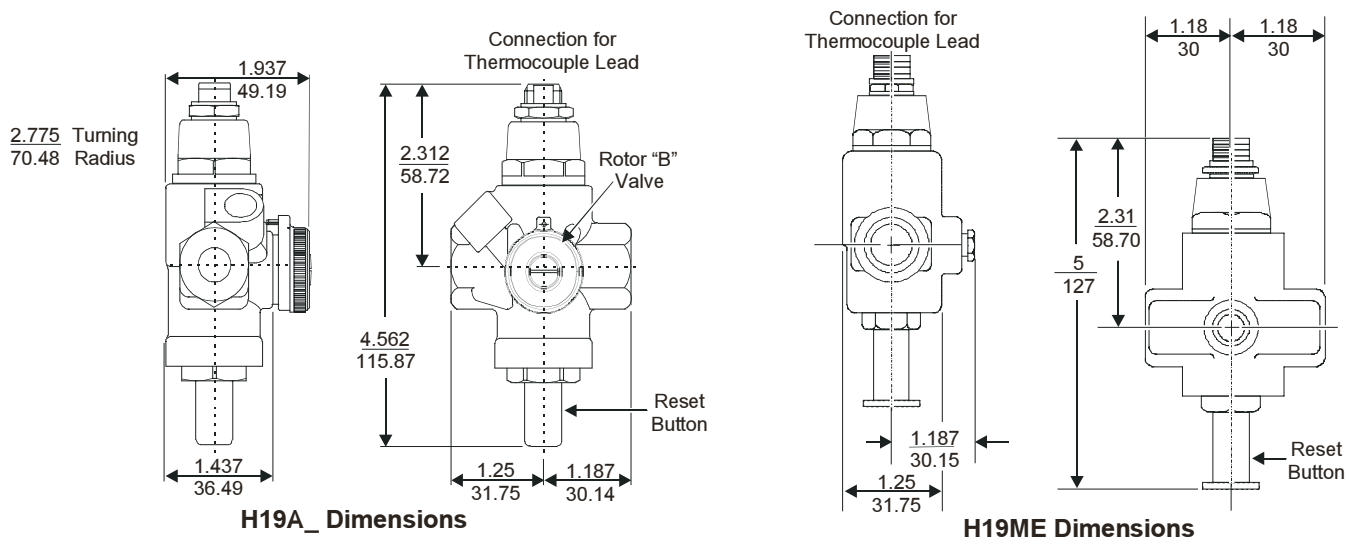
To Order

To order genuine BASO products, call 1-877-227-6427 (1-877-BASOGAS). Specify the code number from the following selection chart.

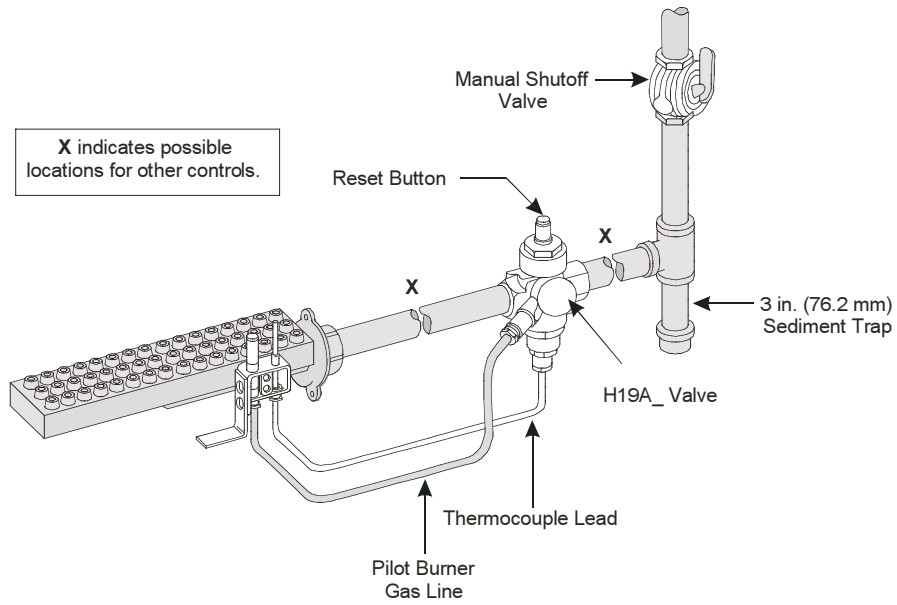
Other models may be made available depending upon customer requirements. Contact BASO Gas Products for availability of products not shown.

Selection Chart

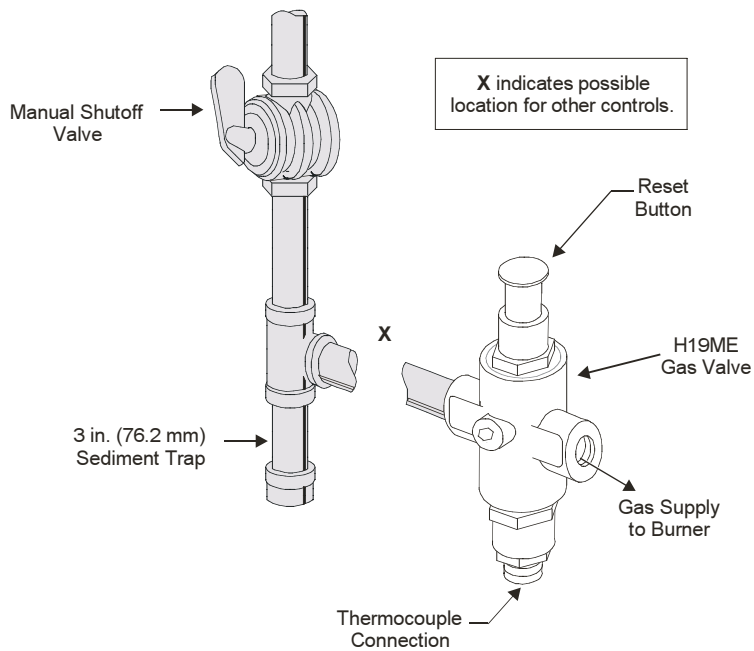
Code Number	Inlet and Outlet Female NPT	Natural Gas Capacity Btu/hr at 1 in. Pressure Drop.	Pilot Tap (in.)	Rotor "B" Valve
H19AA-4	3/8 in. x 3/8 in.	140,000	1/4 cc left	No
H19AL-2*	*manual pilot valve does not have adjustable stop	140,000	1/4 cc left	Yes
H19ME-1		75,000	Plugged	No



H19 Dimensions (in./mm)



Typical H19A_ Installation



Typical H19ME Installation



BASO Gas Products LLC

H19 Series BASO® High Pressure Automatic Shutoff Pilot Gas Valve



Description

The H19 Series high pressure gas valve provides safe lighting and complete shutoff in the event that the flame heating the thermocouple is extinguished. Typical applications include commercial and industrial heaters, crop dryers, and similar applications. The H19LA and H19NA models with flow interruption feature allow gas flow only to the pilot during the lighting operation. The H19RA and H19TA models without flow interruption permit gas to flow to both the pilot and main burner. The H19 valve can be used with natural gas and LP gas, at pressures up to and including 25 psi. Sizes available are 1/4 in. and 3/8 in. NPT.

Specifications

- Maximum inlet pressure is 25 psi
- Permissible ambient (surface) temperature is -40 to 150°F (-40 to 66°C)

Agency Listing

- CSA (AGA/CGA) Certificate Number 229521-1656106
- UL Recognized File Number MH2926
- Australian Gas Association Certificate Number 6734

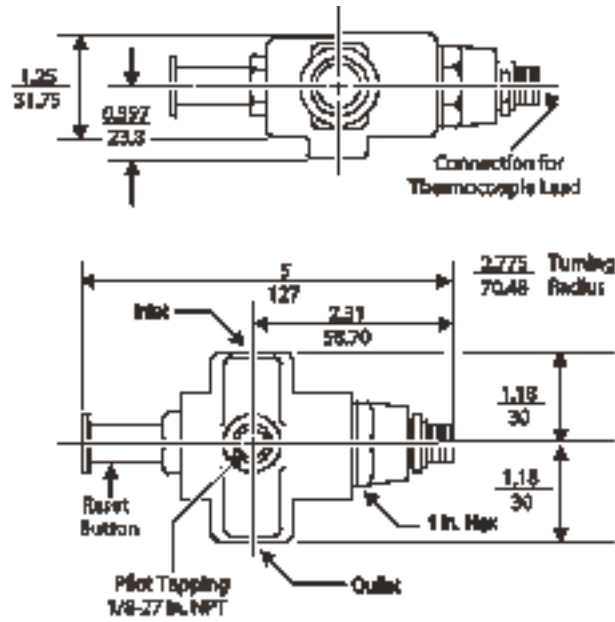
To Order

To order genuine BASO products, call 1-877-227-6427 (1-877-BASOGAS). Specify the code number from the following selection chart.

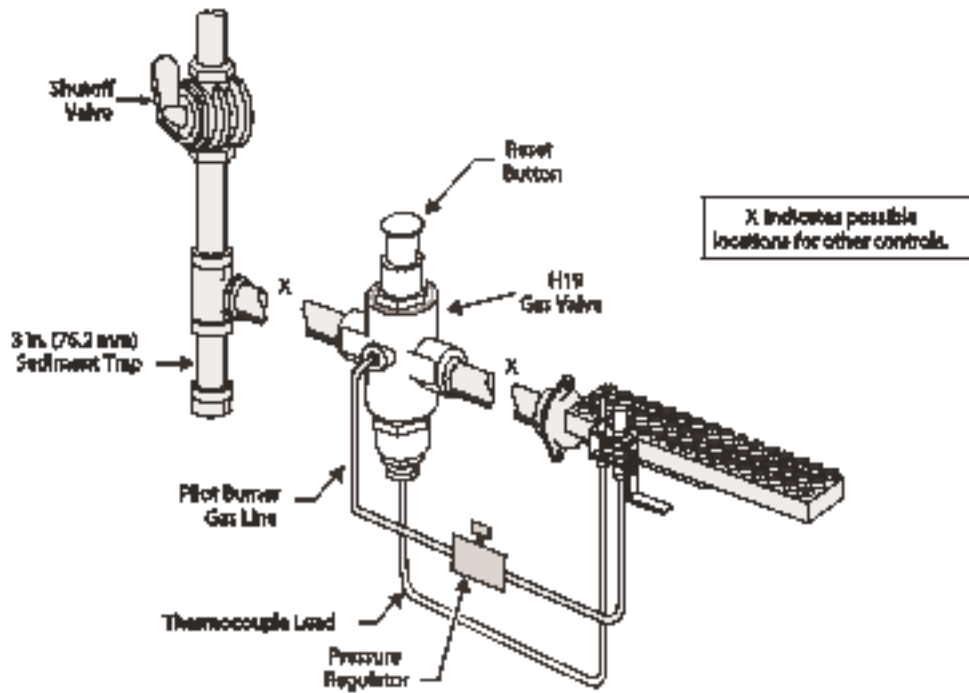
Other models may be made available depending upon customer requirements. Contact BASO Gas Products for availability of products not shown.

Selection Chart

Code Number	Inlet and Outlet Female NPT	Natural Gas Capacity Btu/hr at 2.5 psi Pressure Drop	Pilot Tap (in.)	Flow Interrupter
H19LA-1	3/8 in. x 3/8 in.	600,000	1/8-27 NPT right	Yes
H19NA-4	1/4 in. x 1/4 in.		1/8-27 NPT right	Yes
H19RA-2	3/8 in. x 3/8 in.		1/8-27 NPT right	No
H19TA-3	1/4 in. x 1/4 in.		1/8-27 NPT right	No



H19 High Pressure Dimensions (in./mm)



Typical H19 High Pressure Installation



BASO Gas Products LLC

H43 Series BASO® Automatic Shutoff Pilot Gas Valve with Manual Shutoff



Description

The H43 Series automatic pilot valves provide safe lighting and complete shutoff of pilot and main burner gas in the event that the flame heating the thermocouple is extinguished. A manual valve handle with Pilot, On, and Off positions allows operation of the valve without a thermostat. Typical applications include heaters, wall furnaces, commercial cooking equipment, cater truck equipment, and similar applications. The H43 can be used with natural gas and LP gas at pressures up to 0.5 psi. Sizes available are 3/8 in. and 1/2 in. NPT and both standard and high temperature models are available.

Specifications

- Maximum inlet pressure is 0.5 psi
- Permissible ambient (surface) temperature for H43_A is 32 to 175°F (0 to 80°C)
- H43_B is 32 to 250°F (0 to 120°C)

Agency Listing

- CSA (AGA/CGA) Certificate Number 229521-1656111
- UL Recognized File Number MH2926 (H43AA and BA models only)

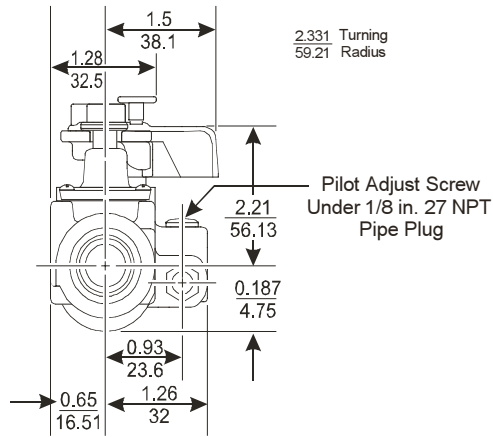
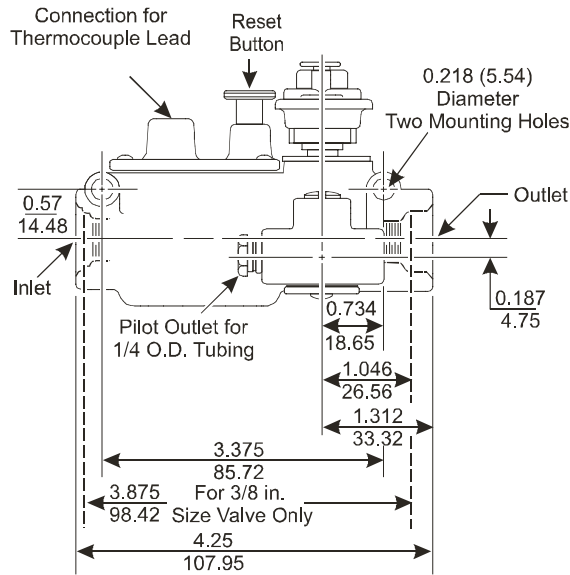
To Order

To order genuine BASO products, call 18-877-227-6427 (1-877-BASOGAS). Specify the code number from the following selection chart.

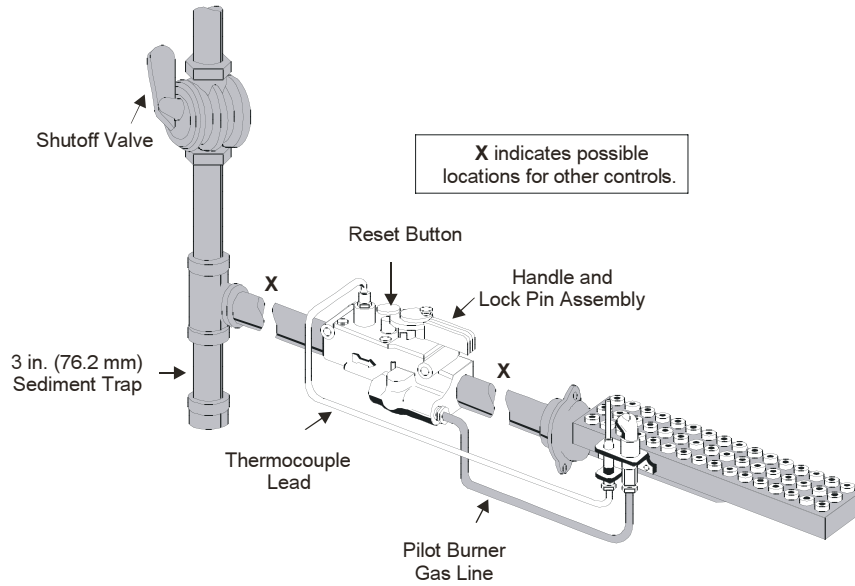
Other models may be made available depending upon customer requirements. Contact BASO Gas Products for availability of products not shown.

Selection Chart

Code Number	Inlet and Outlet Female NPT	Manual Valve Handle or Rod	Natural Gas Capacity Btu/hr at 1 in. Pressure Drop	Pilot Tap (in.) /Pilot Gas Flow	Temperature Range
H43AA-1	3/8 in. x 3/8 in.	Handle	122,000	1/4 cc right /same as main	Standard (175°F)
H43AA-12				1/4 cc right /opposite main	Standard (175°F)
H43AB-4				1/4 cc right /same as main	High Temperature (250°F)
H43BA-2	1/2 in. x 1/2 in.		150,000	1/4 cc right /opposite main	Standard (175°F)
H43BA-5				1/4 cc right /opposite main	Standard (175°F)
H43GA-3				1/4 in. Sq Rod	1/4 cc right /same as main



H43 Dimensions (in./mm)



Typical H43 Installation