



**SIT**spa

# **Technical Bulletin**

**2023-012**

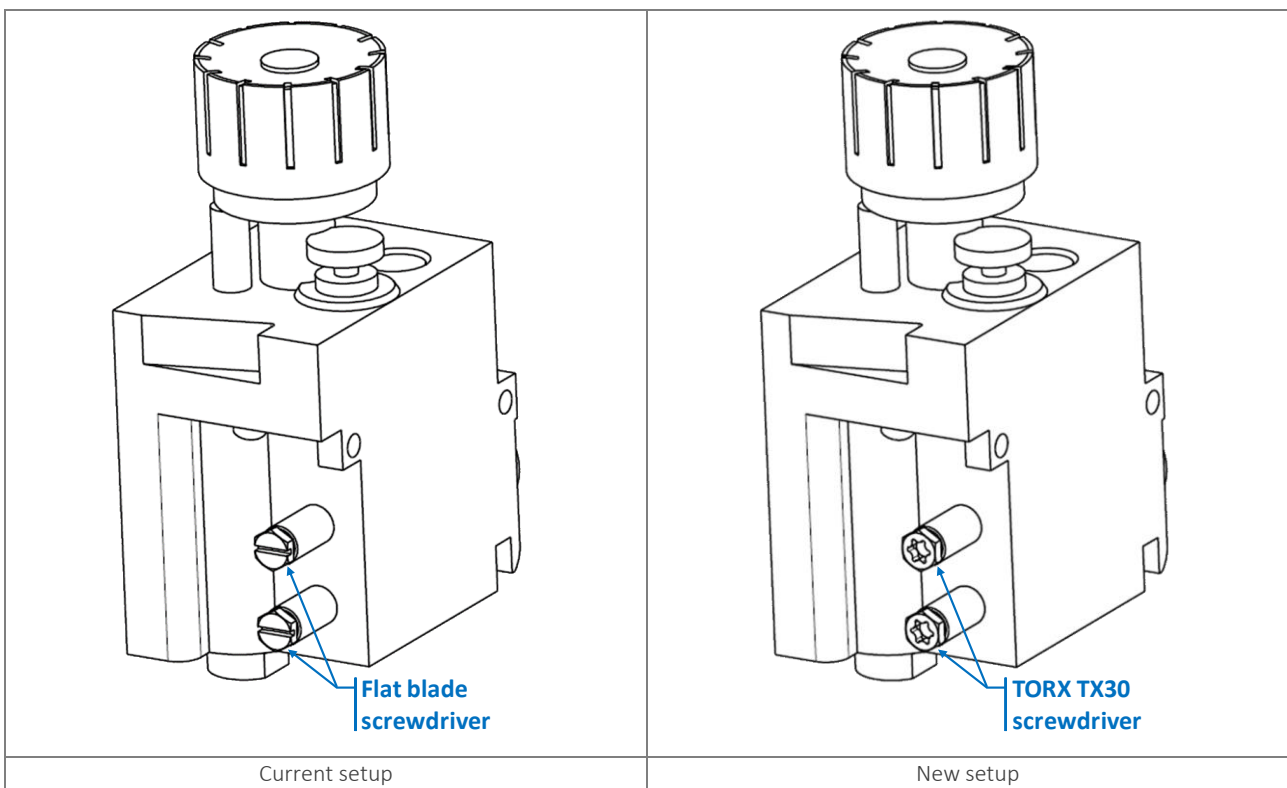
**Change of the PTP screws of Eurosit**

July, 2023



## Description

We inform you that, with the aim of improvement of the product and of the production process, we planned to change the pressure test point screws (PTP screws) of some codes of Eurosit: the change is shown in the below pictures. The screws are classic hexagonal and in the current version, they allow the handling also with a flat blade screwdriver. With the new version, a TORX TX30 screwdriver shall be used in place of the flat blade.



The change will involve the following Eurosit codes:

|         |         |         |         |         |         |         |         |
|---------|---------|---------|---------|---------|---------|---------|---------|
| 0630001 | 0630025 | 0630046 | 0630066 | 0630203 | 0630330 | 0630344 | 0630708 |
| 0630011 | 0630026 | 0630047 | 0630068 | 0630204 | 0630331 | 0630345 | 0630802 |
| 0630012 | 0630027 | 0630052 | 0630093 | 0630206 | 0630332 | 0630346 | 0630810 |
| 0630013 | 0630029 | 0630054 | 0630094 | 0630305 | 0630334 | 0630347 |         |
| 0630014 | 0630036 | 0630057 | 0630100 | 0630307 | 0630335 | 0630348 |         |
| 0630015 | 0630037 | 0630058 | 0630101 | 0630309 | 0630336 | 0630349 |         |
| 0630019 | 0630038 | 0630061 | 0630102 | 0630325 | 0630337 | 0630350 |         |
| 0630021 | 0630039 | 0630063 | 0630103 | 0630326 | 0630338 | 0630352 |         |
| 0630023 | 0630043 | 0630064 | 0630104 | 0630327 | 0630340 | 0630704 |         |
| 0630024 | 0630045 | 0630065 | 0630201 | 0630328 | 0630343 | 0630705 |         |

The introduction of the new screws is foreseen to be implemented within November 2023.

No changes in performances, specifications, or codes are going to be introduced.