

PERISTALTIC DOSING PUMP PPR



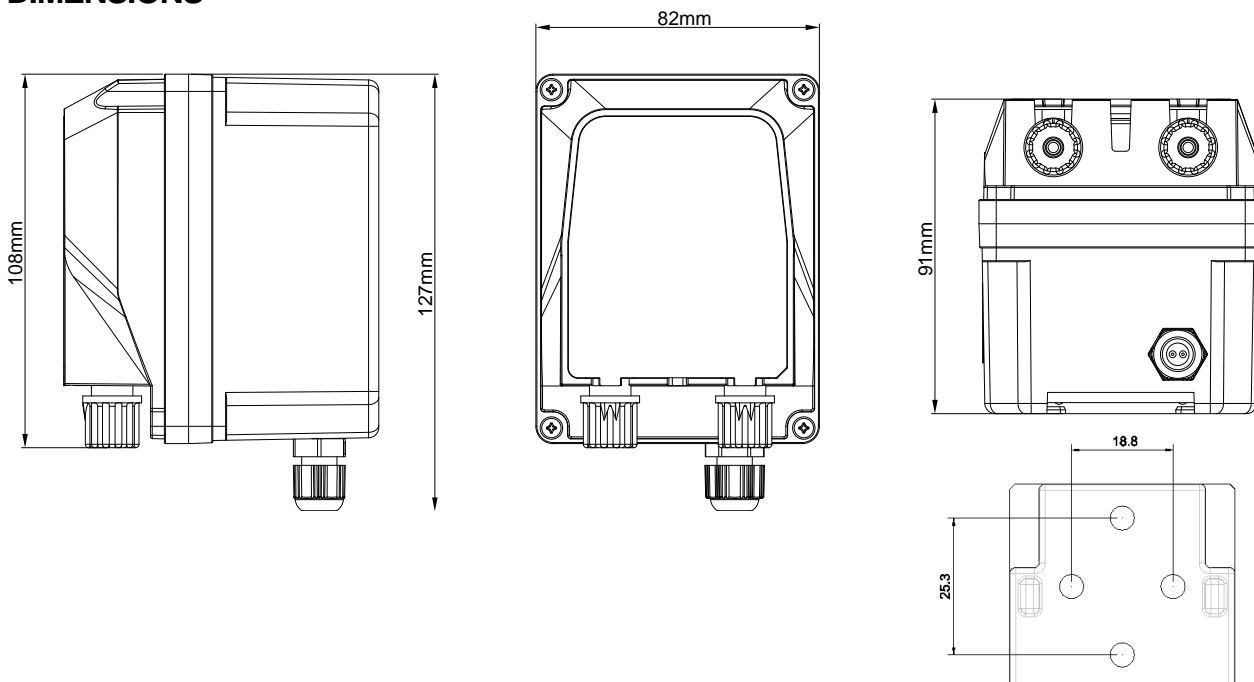
Seko SpA declares that the pump code PPR0004A1000_A has the following features:



CERTIFICATION	CE
TYPE	PPR
POWER SUPPLY	230 Vac 50/60 Hz
CONSUMPTION	3,5 W
PERISTALTIC TUBE MATERIAL	SANTOPRENE (6x10)
CC/REVOLUTION	2,5
FLOW-RATE	4 l/h
BACKPRESSURE	0,1 BAR
MPA	0,01
PSI	1,450
GPD	25,34
GPH	1,059
IP DEGREE	IP 65
OPERATING TEMPERATURE	5-50°C
STORAGE TEMPERATURE	-20÷60°C

FOOT FILTER	Grid filter in PP with ceramic weight
TUB INJECTION	90° Injection fitting (AISI) with tube holder
FIXING BRACKET	PC Wall bracket
SUCTION/DELIVERY TUBING	4x6 PVC (4 m roll)

DIMENSIONS



Your Choice,
Our Commitment

Technical data can be changed without notice.
TD_PPR0004A1000_A_rev.2.0