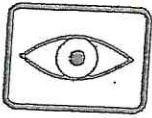


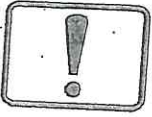
## 5. Service Instructions

### 5.5 Probe Fittings N6, N7, N8, B10 (CTC)



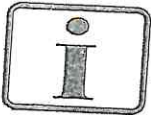
**Check:**

Grease and/or Steam escaping due to a perished seal insert.



**Instructions:**

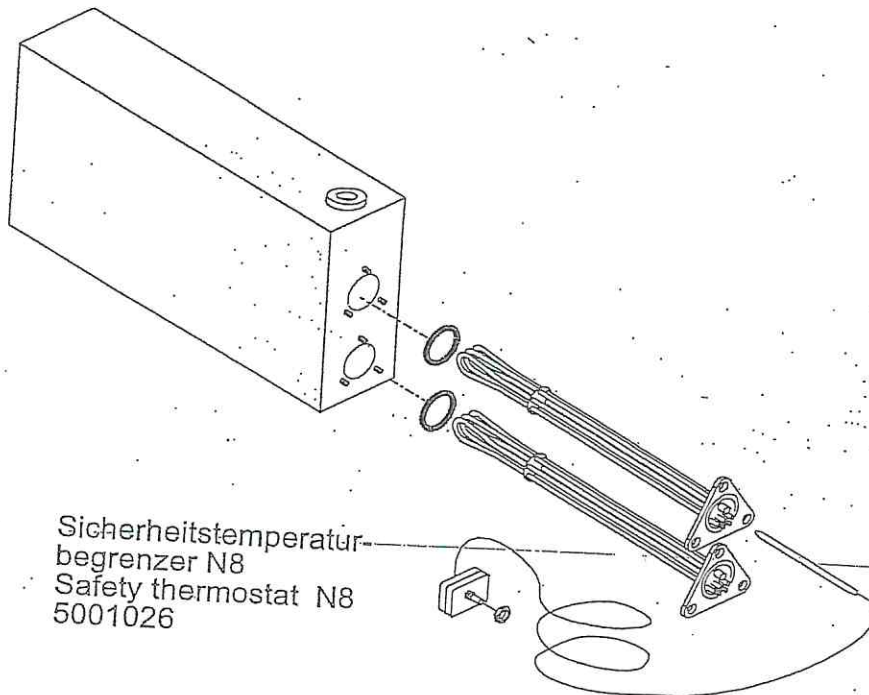
- > Tighten the probe fitting holding bush to prevent it from turning.
- > When using a new seal insert in the probe fitting, always tighten again after the first heating that reaches over 200°C.
- > Test the effectiveness of the seal by pulling on the probe cable.



**Information:**

Due to the pressure of the probe fitting on the seal insert and the high oven temperatures, the insert may contract causing it to no longer be air tight. A securely sealed fitting protects against possible damage.

### Safety Thermostat on the Flange-Immersion Heater N8



Insert the thermostat N8 in the empty element tube and wrap the cable around the knurled nut (strain relief).

Sicherheitstemperaturbegrenzer N8  
Safety thermostat N8  
5001026



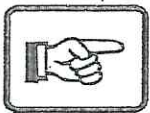
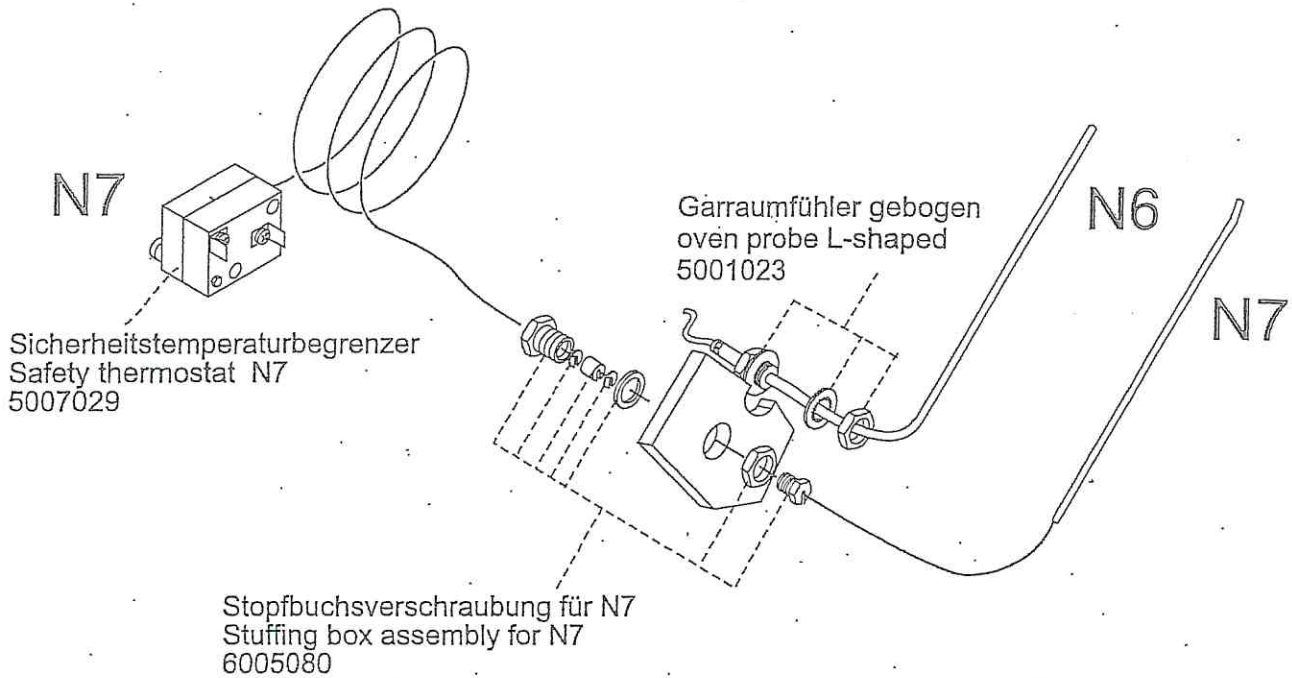
**Safety:**

- > The probe cable must not be kinked.
- > The probe cable must not come into contact with any other electrical conductor. (→ Push the glass fibre insulation over the cable.)

## 5. Service Instructions

### Oven Probe N6 and Safety thermostat N7 on OD oeco-control, perfect and magic

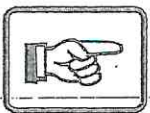
#### Safety thermostat in oven



Note:

With the „L shaped probe“ the thread is already welded onto the probe and can therefore not be turned during mounting. When fitting the probe the nut and the spring washer must be attached from the inside of the oven.

#### Safety thermostat outside the oven casing.

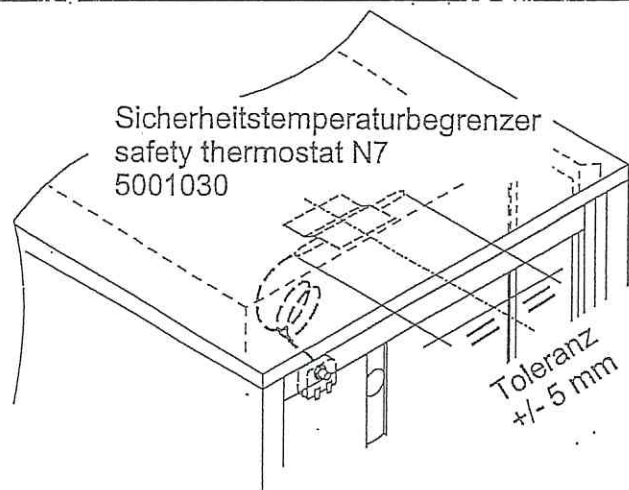


Note:

The safety thermostat is located outside of the oven casing between the inside casing and the top of the unit. Below the insulation is a clip underneath which the thermostat can be placed.

With OD compact, perfect and magic as of unit number:

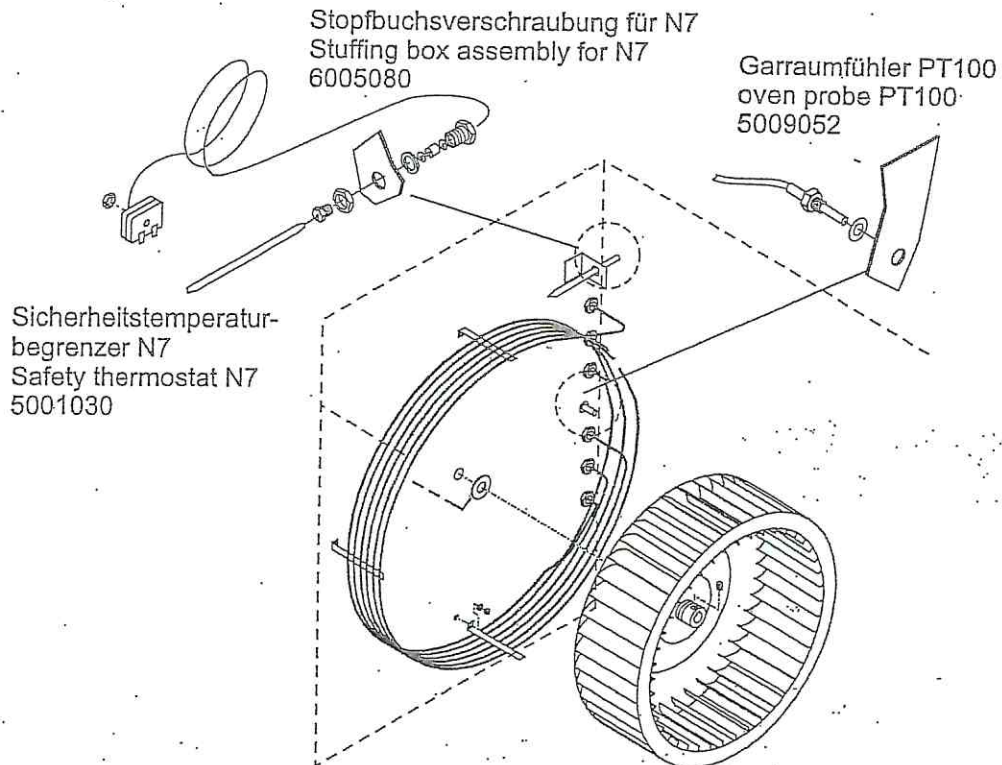
Unit type	Unit number
OD 6.10 P and M	811157361
OD 10.10 P and M	821156983
OD 6.10 compact	71115433
OD 10.10 compact	72115293



## 5. Service Instructions

### Oven Probe N6 and Safety Thermostat N7 on OD compact

#### Safety thermostat in Oven

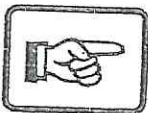
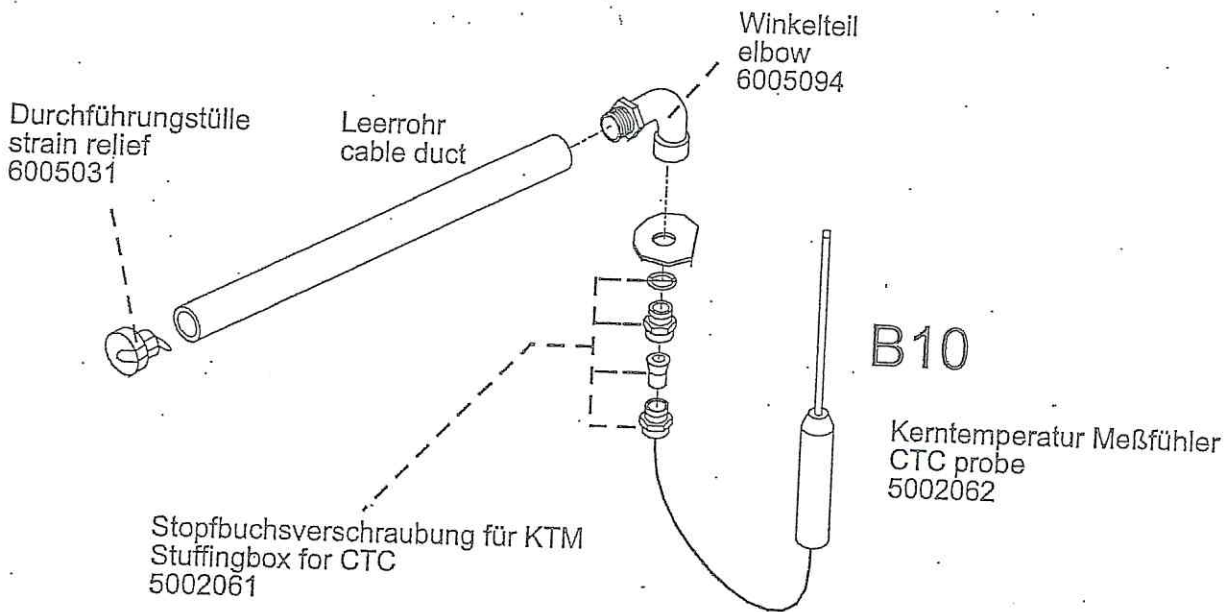


#### Safety thermostat outside of the oven chamber

→ See „Oven probe N6 and safety thermostat N7 on OD oeco-control, perfect and magic units“ on p. 2.

## 5. Service Instructions

### Core Temperature Probe B10



Note:

On some OD 10.20 units the elbow and cable duct are replaced by a welded PG-9 union.

