

# AC1-5 INSTRUCTION FOR USE

Thank you for having chosen a LAE electronic product. Before installing the instrument, please read these instructions carefully to ensure maximum performance and safety.

## DESCRIPTION

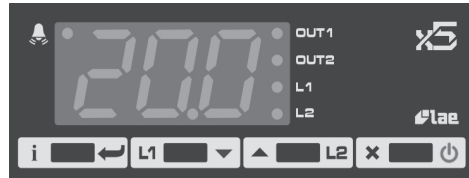


Fig. 1 - Front panel

- Info / Enter button
- Modify Setpoint 1 / Decrease button

## INSTALLATION

- Insert the controller through a hole measuring 71x29 mm.
- Make sure that electrical connections comply with the paragraph "wiring diagrams". To reduce the effects of electromagnetic disturbance, keep the sensor and signal cables well separate from the power wires.
- Fix the controller to the panel by means of the suitable clips, by pressingly gently; if fitted, check that the rubber gasket adheres to the panel perfectly, in order to prevent debris and moisture infiltration to the back of the instrument.
- Place the probe T1 inside the room in a point that truly represents the temperature of the stored product.

## OPERATION

### DISPLAY

During normal operation, the display shows either the temperature measured or one of the following indications:

OFF	Controller in stand-by	TUN/xx.x	Controller in autotuning
OR	Probe T1 overrange or failure	E1	In tuning: timeout1 error
HI	Room high temperature alarm	E2	In tuning: timeout2 error
LO	Room low temperature alarm	E3	In tuning: overrange error

### MENU INFO

The information available in this menu is:

THI	Maximum temperature recorded	LOC	Keypad state lock
TLO	Minimum temperature recorded		

### Access to menu and information displayed.

- Press and immediately release button [I].
- With button [V] or [A] select the data to be displayed.
- Press button [I] to display value.
- To exit from the menu, press button [X] or wait for 10 seconds.

### Reset of THI, TLO recordings

- With button [V] or [A] select the data to be reset.
- Display the value with button [I].
- While keeping button [I] pressed, use button [X].

### CHANNEL 1 SETPOINT (display and modification of desired temperature value)

- Press and release button [L1]: the LED L1 blinks, the display shows 1SP for 1 second and then the setpoint associated value.
- Press buttons [V] or [A] to set the desired value (adjustment is within the minimum SPL and maximum SPH limit).
- To store the new value press button [I] or wait for 10 seconds.
- To go back to normal mode without saving the new value, press [X].

### CHANNEL 2 SETPOINT

- With the auxiliary output set as thermostat control (OAU=THR), it's possible to modify setpoint 2 during the normal operation of the controller.
- Press and release button [L2]: the LED L2 blinks, the display shows 2SP for 1 second if setpoint 2 is an absolute threshold (2SM=ABS), alternatively the display shows 2DF, if setpoint 2 is a threshold relative to setpoint 1 (2SM=REL), then the value associated to the parameter appears.
- Press buttons [V] or [A] to set the desired value.
- To store the new value press button [I] or wait for 10 seconds.
- To go back to normal mode without saving the new value, press [X].

### STAND-BY

Button [O], when pressed for 3 seconds, allows the controller to be put on a standby or output control to be resumed (with SB=YES only).

### KEYPAD LOCK

The keypad lock avoids undesired, potentially dangerous operations, which might be attempted when the controllers is operating in a public place. In the INFO menu, set parameter LOC=YES to inhibit all functions of the buttons. To resume normal operation of keypad, adjust setting so that LOC=NO.

### CONTROLLER AUTOTUNING IN PID MODE

#### Before starting

In the setup mode (see configuration parameters): set 1CM=PID; make sure that 1CH matches the desired operation mode (1CH=REF for refrigerating control, 1CH=HEA for heating control); then adjust setpoint 1SP at the desired value.

#### Start autotuning

During normal operation, keep buttons [I] + [V] pressed for 3 seconds. 1CT blinks on the display. With [I] + [V] or [A] set the cycle time in order to define the dynamic of the process to be controlled. To abort the autotuning function, press [X]; to start autotuning press [V] + [A] or wait for 30 seconds.

#### During autotuning

During the entire autotuning phase, the display alternates TUN with the actual temperature measured. In case of power failure, when power is resumed, after the initial autotest phase, the controller resumes the autotuning function. To abort the autotuning, without modifying the previous control parameters, keep button [X] pressed for 3 seconds. After the autotuning has taken place successfully, the controller updates the control parameters and start to control.

#### Errors

If the autotuning function failed, the display shows an error code:

- E1 timeout1 error: the controller could not bring the temperature within the proportional band. Increase 1SP in case of heating control, vice versa, decrease 1SP in case of refrigerating control and re-start the process.
- E2 timeout2 error: the autotuning has not ended within the maximum time allowed (1000 cycle times). Re-start the autotuning process and set a longer cycle time 1CT.
- E3 temperature overrange: check that the error was not caused by a probe malfunction, then decrease 1SP in case of heating control, vice versa increase 1SP in case of refrigerating control and then re-start the process.
- To eliminate the error indication and return to the normal mode, press button [X].

#### Control improvement

- To reduce overshoot, reduce the integral action reset 1AR
- To increase the response speed of the system, reduce the proportional band 1PB. Caution: doing this makes the system less stable.
- To reduce swings in steady-state temperature, increase the integral action time 1IT; system stability is thus increased, although its response speed is decreased.
- To increase the speed of response to the variations in temperature, increase the derivative action time 1DT. Caution: a high value makes the system sensitive to small variations and it may be a source of instability.

### RECALIBRATION

- Have a precision reference thermometer or a calibrator to hand. Ensure that OS1=0 and SIM=0.
- Switch the controller off then on again.
- During the auto-test phase, press buttons [I] + [A] and keep them pressed till the controller shows 0AD.
- With buttons [V] and [A] select 0AD or SAD: 0AD allows a calibration of 0, inserting a constant correction over the whole scale of measurement. SAD allows a calibration of the top part of the measurement scale with a proportional correction between the calibration point and 0.
- Press [I] to display the value and then use [I] + [A] or [V] to make the read value coincide with the value measured by the reference instrument.
- Exit from calibration by pressing button [X].

## CONFIGURATION PARAMETERS

- To get access to the parameter configuration menu, press button [X] + [I] for 5 seconds.
- With button [V] or [A] select the parameter to be modified.
- Press button [I] to display the value.
- By keeping button [I] pressed, use button [V] or [A] to set the desired value.
- When button [I] is released, the newly programmed value is stored and the following parameter is displayed.
- To exit from the setup, press button [X] or wait for 30 seconds.

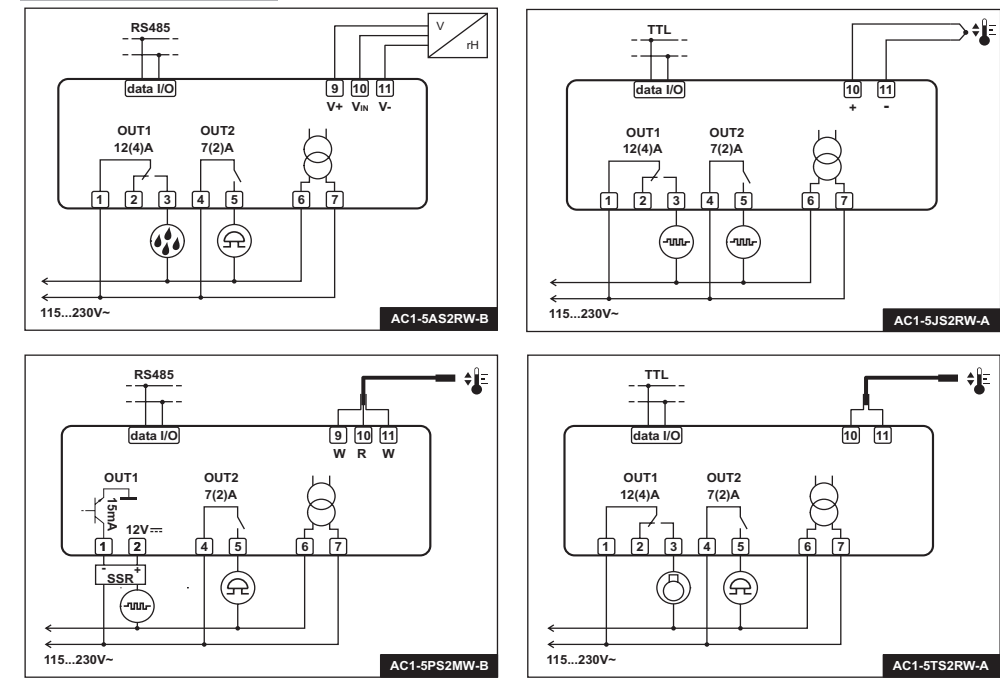
PAR	RANGE	DESCRIPTION
<b>SCL</b>	1°C; 2°C; °F	Readout scale (see table of input specifications) <i>Caution: upon changing the SCL value, it is then absolutely necessary to reconfigure the parameters relevant to the absolute and relative temperatures (SPL, SPH, 1SP, 1HY etc..)</i>
<b>SPL</b>	-50°...SPH	Minimum limit for 1SP setting
<b>SPH</b>	SPL...150°	Maximum limit for 1SP setting.
<b>1SP</b>	SPL... SPH	Setpoint (value to be maintained in the room).
<b>1CM</b>	HY; PID	Control mode. With 1CM=HY you select control with hysteresis: parameters 1HY, 1T0 and 1T1 are used. With 1CM=PID you select a Proportional-Integral-Derivative control mode: parameters 1PB, 1IT, 1DT, 1AR, 1CT will be used
<b>1CH</b>	REF; HEA	Refrigerating (REF) or Heating (HEA) control mode.
<b>1CM=HY</b>	<b>1HY</b>	0...19.9° OFF/ON thermostat differential. With 1HY=0 the output is always off. 
	<b>1T0</b>	0...30min Minimum off time. After output 1 has been turned off, it remains inactive for 1T0 minutes regardless of the temperature value measured.
	<b>1T1</b>	0...30min Minimum on time. (the following parameter will be 1PF). After output 1 has been turned on, it remains active for 1T1 minutes regardless of the temperature value measured.
<b>1CM=PID</b>	<b>1PB</b>	0...19.9° Proportional bandwidth.  Temperature control takes place by changing the ON time of the output: the closer the temperature to the setpoint, the less time of activation. A small proportional band increases the promptness of response of the system to temperature variations, but tends to make it less stable. A purely proportional control stabilises the temperature within the proportional band but does not cancel the deviation from setpoint. With 1PB=0 the output is always off. 
	<b>1IT</b>	0...999s Integral action time.  The steady-state error is cancelled by inserting an integral action. The integral action time, determines the speed with which the steady-state temperature is achieved, but a high speed (1IT low) may be the cause of overshoot and instability in the response. With 1IT=0 the integral control is disabled. 
	<b>1DT</b>	0...999s Derivative action time.  Response overshoot may be reduced by inserting a derivative Action. A high derivative action (1DT high) makes the system very sensitive to small temperature variations and causes instability. With 1DT=0 the derivative control is disabled. 
	<b>1AR</b>	0...100% Reset of integral action time referred to 1PB Decreasing the parameter 1AR reduces the integral control action zone, and consequently the overshoot (see figure on paragraph 1IT).
	<b>1CT</b>	1...255s Cycle time. It's the period in which the output ON time changes. The quicker the system to be controlled reacts to temperature variations, the smaller the cycle time must be, in order to obtain higher temperature stability and less sensitivity to load variations.
<b>1PF</b>	ON/OFF	Output state in case of probe failure.
<b>OAU</b>	NON; THR; AL0; AL1	AUX output operation. NON : output disabled (always off). (the next parameter will be ATM) THR: output programmed for second thermostat control (the next parameter will be 2SM). AL0: contacts open when an alarm condition occurs (the next parameter will be ATM). AL1: contacts make when an alarm condition occurs (the next parameter will be ATM).
<b>OAU=THR</b>	<b>2SM</b>	ABS; REL Setpoint 2 mode. Channel 2 setpoint may be absolute (2SM=ABS), or a differential relative to setpoint 1 (2SM=REL).
	<b>2SP</b>	SPL...SPH Auxiliary output switchover temperature (the next parameter will be 2CH) 
<b>2SM=REL</b>	<b>2DF</b>	-19.9...19.9° Temperature differential relative to 1SP. The auxiliary output setpoint is equal to 1SP+2DF 

<b>OAU=THR</b>	<b>2CH</b>	REF; HEA	Refrigerating control (REF) or heating control mode (HEA) for the auxiliary output.
	<b>2HY</b>	0...19.9°	Differential of thermostat 2. With 2HY=0 the auxiliary output always remains off.
	<b>2T0</b>	0...30min	Minimum off time. After output 2 has been turned off, it remains inactive for 2T0 minutes regardless of the temperature value measured.
	<b>2T1</b>	0...30min	Minimum on time. After output 2 has been turned on, it remains active for 2T1 minutes regardless of the temperature value measured.
	<b>2PF</b>	ON/OFF	Auxiliary output state in case of probe failure.
<b>ATM</b>	NON; ABS; REL	Alarm threshold management. NON: all temperature alarms are inhibited (the following parameter will be SB). ABS: the values programmed in ALA and AHA represent the real alarm thresholds. REL: the values programmed in ALR and AHR are alarm differentials referred to 1SP and 1SP+1HY. 	
	<b>ALA</b>	-50°...AHA	Low temperature alarm threshold.
<b>ATM=ABS</b>	<b>AHA</b>	ALA...150°	High temperature alarm threshold.
	<b>ALR</b>	-12.0...0°	Low temperature alarm differential. With ALR=0 the low temperature alarm is excluded
<b>ATM=REL</b>	<b>AHR</b>	0...12.0°	High temperature alarm differential. With AHR=0 the high temperature alarm is excluded
	<b>ATD</b>	0...120min	Delay before alarm temperature warning.
<b>SB</b>	NO/YES	Stand-by button enabling.	
<b>INP</b>	0mA/4mA, T1/T2 ST1/SN4	Sensor input selection (see table of input specifications).  In the models AC1-5A..., AC1-5J..., AC1-5T... only.	
<b>RLO</b>	-19.9...RHI	Minimum range value (in the models AC1-5A..., AC1-5J..., AC1-5T... only) RLO takes the minimum value measured by the transmitter (i.e. the value matching 0V, 0/4mA).	
<b>RHI</b>	RLO...99.9	Maximum range value (in the models AC1-5A..., AC1-5J..., AC1-5T... only) RHI takes the maximum value measured by the transmitter (i.e. the value matching 1V, 20mA)	
<b>OS1</b>	-12.5...12.5°	Probe T1 offset.	
<b>TLD</b>	1...30min	Delay for minimum temperature (TLO) and maximum temperature (THI) logging.	
<b>SIM</b>	0...100	Display slowdown	
<b>ADR</b>	1...255	AC1-5 address for PC communication	

## INPUT SPECIFICATIONS

MODEL	INPUT	RANGE [MEASUREMENT ACCURACY]		
		SCL=1°C	SCL=2°C	SCL=°F
AC1-5A...	0+1V	RLO+RHI [ < ± 3mV ]		---
AC1-5I...	INP = 0mA	RLO+RHI [ < ± 0.2mA ]		---
	INP = 4mA	RLO+RHI [ < ± 0.2mA ]		---
AC1-5J...	INP=T1	---	-50+750°C [ < ±3°C ]	-60+999°F [ < ±5°F ]
	INP=T2	---	-50+999°C [ < ±3°C ]	-60+999°F [ < ±5°F ]
AC1-5P...	PT100	-50/-19.9+99.9/150°C [ < ±0.3°C ]	-100+850°C [ < ±1°C(-50+850°), ±2°C ]	-150+999°F [ < ±2°F(-60+999°), ±4°F ]
		INP=ST1	PTC 1000 Ω (LAE ST1...) [-50/-19.9 + 99.9/150°C [ < ±0.3°C(-30+130°), ±1°C ]	-50 + 150°C [ < ±0.3°C(-30+130°), ±1°C ]
AC1-5T...	INP=SN4	NTC 10K Ω (LAE SN4...) [-40/-19.9 + 99.9/125°C [ < ±0.3°C(-40+100°), ±1°C ]	-40 + 125°C [ < ±0.3°C(-40+100°), ±1°C ]	-40 + 260°F [ < ±0.6°F(-40+210°), ±2°F ]

## WIRING DIAGRAMS



## TECHNICAL DATA

**Power supply**  
AC1-5...D 12Vac/dc ±10%, 2W  
AC1-5...W 110 - 230Vac±10%, 50/60Hz, 2W

### Relay outputs (AC1-5..R.)

OUT1 12(4)A  
OUT2 7(2)A

### SSR drive (AC1-5..M.)

OUT1 15mA 12Vdc

### Inputs

see table of input specifications

### Measurement range

see table of input specifications

### Measurement accuracy

see table of input specifications

### Operating conditions

-10 ... +50°C; 15%...80% U.R.

### CE (Reference Norms)

EN60730-1; EN60730-2-9;  
EN55022 (Class B); EN50082-1

### Front protection

IP55

**lae**  
ELECTRONIC

VIA PADOVA, 25  
31046 ODERZO /TV /ITALY  
TEL. +39 - 0422 815320  
FAX +39 - 0422 814073  
www.lae-electronic.com  
E-mail: sales@lae-electronic.com



# AC1-5 INSTRUCCIONES DE USO

Les agradecemos por la preferencia demostrada eligiendo un producto LAE electronic. Antes de comenzar con la instalación del instrumento, lea detenidamente estas instrucciones para así obtener el mejor rendimiento y seguridad.

## DESCRIPCIÓN

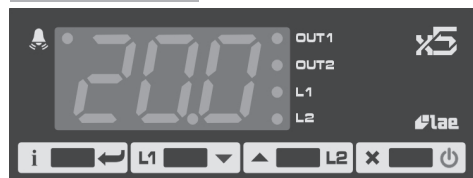


Fig. 1 — Panel frontal

- Botón Info / Enter.
- Botón modificación setpoint 1 / disminución.

## INSTALACIÓN

- Introduzca el instrumento en un agujero de 71x29 mm;
- Realice las conexiones eléctricas tomando como referencia el párrafo "esquemas de conexión". Para reducir los efectos de las perturbaciones electromagnéticas, aleje los cables de las sondas y de señal de los conductores de potencia
- Fije el instrumento al panel con las abrazaderas específicas, presionando correctamente; de estar incluida, la junta de caucho se debe colocar entre el marco del instrumento y el panel, comprobando que quede perfectamente adherida para evitar infiltraciones hacia la parte trasera del instrumento.
- Coloque la sonda T1 en un punto de la cámara que tenga perfectamente la temperatura del producto que se ha de conservar.

## FUNCIONAMIENTO

### VISUALIZACIONES

Durante el funcionamiento normal, en la pantalla se visualiza la temperatura medida, o bien una de las siguientes indicaciones:

<b>OFF</b> Regulador en standby	<b>TUN/xx.x</b> Instrumento en autocalibración
<b>OR</b> Fuera de tolerancia o rotura T1	<b>E1</b> En calibración: error de timeout1
<b>HI</b> Alarma de alta temperatura en cámara	<b>E2</b> En calibración: error de timeout2
<b>LO</b> Alarma de baja temperatura en cámara	<b>E3</b> En calibración: error de tolerancia

### MENÚ INFO

Las informaciones disponibles en el menú Info son:

<b>THI</b> Temperatura máxima medida sonda 1	<b>LOC</b> Estado del teclado (bloqueo)
<b>TLO</b> Temperatura mínima medida sonda 1	

### Acceso al menú y visualización de las informaciones.

- Pulse y suelte inmediatamente el botón **[I]**.
- Con los botones **[V]** o **[A]** seleccione el dato que debe visualizar.
- Pulse el botón **[I]** para visualizar el valor.
- Para salir del menú, pulse el botón **[X]** o espere 10 segundos.

### Reajuste de las memorizaciones THI, TLO

- Con los botones **[V]** o **[A]** seleccione el dato que debe reajustar.
- Visualice el valor con el botón **[I]**.
- Manteniendo pulsado el botón **[I]** pulse el botón **[X]**.

### SETPOINT CANAL 1 (visualización y modificación del valor de temperatura deseado)

- Pulsar y dejar la tecla **[L1]**: el led L1 relampaguea, la pantalla visualiza para 1 segundo **1SP** y después el valor asociado al setpoint
- Utilizar las teclas **[V]** o **[A]** para asentar el valor deseado (la regulación está comprendida entre el límite mínimo **SPL** y máximo **SPH**).
- Para memorizar el nuevo valor pulsar la tecla **[L2]** o atender 10s.
- Para volver a la modalidad normal sin salvaguardar el nuevo valor pulsar **[X]**.

### SETPOINT CANAL 2

- Con la salida auxiliar asentada como termostato (**OAU=THR**), es posible modificar el setpoint 2 durante el funcionamiento normal del regulador.
- Pulsar y dejar la tecla **[L2]**: el led L2 relampaguea, la pantalla visualiza para un segundo **2SP**, si el setpoint 2 está asentado en modalidad absoluta (**2SM=ABS**), o visualiza **2DF** si el setpoint 2 es relativo al setpoint 1 (**2SM=REL**), y enseguida el valor asociado al parámetro.
- Utilizar las teclas **[A]** o **[V]** para imponer el valor deseado.
- Para memorizar el nuevo valor pulsar la tecla **[L2]** o atender 10 segundos.
- Para volver a la modalidad normal sin salvaguardar el nuevo valor pulsar **[X]**.

### STAND-BY

Pulsando durante 3 segundos el botón **[X]**, es posible conmutar el estado del regulador entre las funciones de las salidas y standby (sólo con **SB=YES**).

### BLOQUEO DEL TECLADO

El bloqueo de los botones impide la ejecución de operaciones indeseables, potencialmente perjudiciales, que podrían activarse si el regulador funcionara en lugares abiertos al público. Para inhibir todos los mandos del teclado, configure **LOC=YES** en el menú INFO; para restablecer la función normal, programe nuevamente **LOC=NO**.

### AUTOCALIBRACIÓN DEL REGULADOR EN MODALIDAD PID

#### Antes de empezar

En modalidad setup (ver los parámetros de configuración): asentar **1CM=PID**; asegurarse de que **1CH** corresponda a la modalidad de funcionamiento deseada (**1CH=REF** para la refrigeración, **1CH=HEA** para la calefacción); fijar el setpoint **1SP** al valor deseado.

#### Empezar la función

Durante el funcionamiento normal, tener pulsadas las teclas **[I]** + **[V]** para 3 segundos. En la pantalla relampaguea **1CT**, con **[I]** + **[V]** o **[A]** asentar el tiempo de ciclo para poder caracterizar la dinámica del proceso que tiene que ser controlado. Para abandonar la función de autotuning pulsar **[X]**; para empezar el autotuning pulsar **[V]** + **[A]** o esperar para 30 segundos.

#### Durante la autocalibración

Durante toda la etapa de autocalibración la pantalla muestra alternativamente TUN y el valor de la temperatura medida. Si se cortara la alimentación, al volverlo a encender, después de la etapa de autotest inicial, el instrumento reanudará la función de autocalibración. Para abandonar la función de autocalibración sin modificar los parámetros de control, mantenga pulsado durante 3 segundos el botón **[X]**. Una vez concluida correctamente la autocalibración, el controlador actualizará el valor de los parámetros de control y comenzará a controlar.

#### Errores

Si la función de autocalibración no obtuviera resultados positivos, en la pantalla destellará un código de error:

- E1 error de timeout1: el controlador no pudo llevar la temperatura dentro de la banda proporcional. Aumente **1SP** en el caso de control en calentamiento, viceversa, disminuya **1SP** en refrigeración y reactive el procedimiento.
- E2 error de timeout2: la autocalibración no ha concluido dentro del tiempo máximo establecido (1000 tiempos de ciclo). Reactive el procedimiento de autocalibración y configure un tiempo de ciclo **1CT** mayor.
- E3 temperatura fuera del rango: controle que el error no haya sido causado por un desperfecto de la sonda, disminuya **1SP** en el caso de control en calentamiento, viceversa, aumente **1SP** en refrigeración y reactive el procedimiento.
- Para eliminar la indicación de error y volver al modo normal, pulse el botón **[X]**.

#### Mejoramiento del control

- Para reducir la sobreelongación, disminuya el reset de la acción integral **1AR**;
- Para aumentar la celeridad del sistema, disminuya la banda proporcional **1PB**; atención: de esta manera el sistema será menos estable;
- Para reducir las oscilaciones de la temperatura en régimen de funcionamiento, aumente el tiempo de la acción integral **1IT**; así se aumenta la estabilidad del sistema, pero disminuye su celeridad;
- Para aumentar la velocidad de respuesta a las variaciones de temperatura, aumente el tiempo de la acción derivada **1DT**; atención: un valor alto hace que el sistema sea sensible a las pequeñas variaciones y puede ser fuente de inestabilidad.

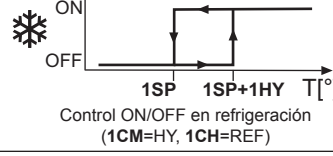
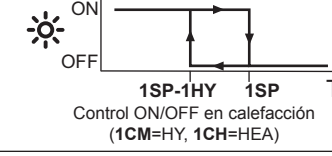
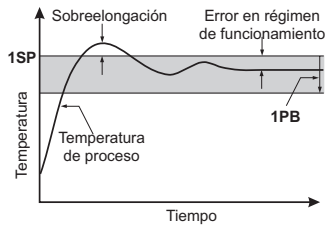
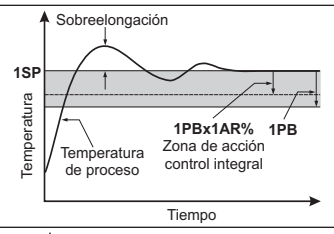
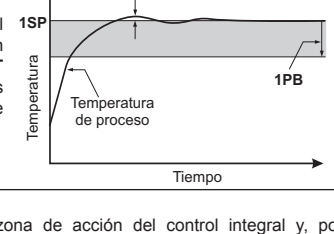
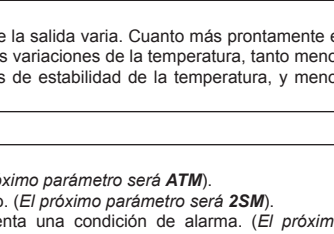
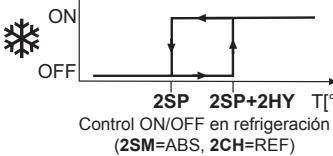
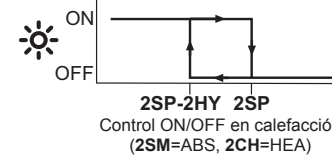
#### RECALIBRACIÓN

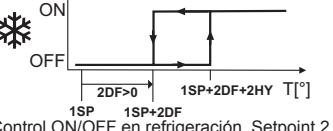
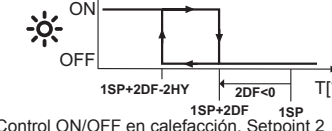
- Procúrese un termómetro de referencia de precisión o un calibrador; Controle que **OS1=0** y **SIM=0**;
- Apague y encienda el instrumento;
- Durante la etapa de autotest, pulse los botones **[I]** + **[A]** y manténgalos pulsados hasta que el instrumento muestre **0AD**;
- Con los botones **[V]** y **[A]** seleccione **0AD** o **SAD**: **0AD** permite regular el 0 insertando una corrección constante en toda la escala de medida. **SAD** permite regular la parte alta de la escala de medida con una corrección proporcional entre el punto de regulación y el 0.
- Pulse **[I]** para visualizar el valor y utilice **[I]** + **[A]** o **[V]** para hacer coincidir el valor leído con aquel medido por el instrumento de referencia;

- Para salir de la calibración, pulse el botón **[X]**.

## PARÁMETROS DE CONFIGURACIÓN

- Para acceder al menú de configuración de los parámetros, pulse durante 5 segundos los botones **[X]** + **[I]**.
- Con los botones **[V]** o **[A]** seleccione el parámetro que deba modificar.
- Pulse el botón **[I]** para visualizar el valor.
- Manteniendo pulsado el botón **[I]**, utilice los botones **[V]** o **[A]** para configurar el valor deseado.
- Al soltar el botón **[I]** el nuevo valor será memorizado y se visualizará el parámetro siguiente.
- Para salir del setup, pulse el botón **[X]** o espere 30 segundos.

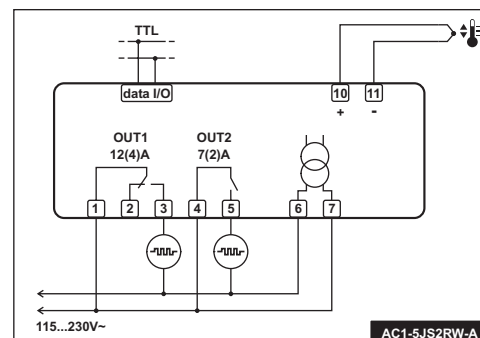
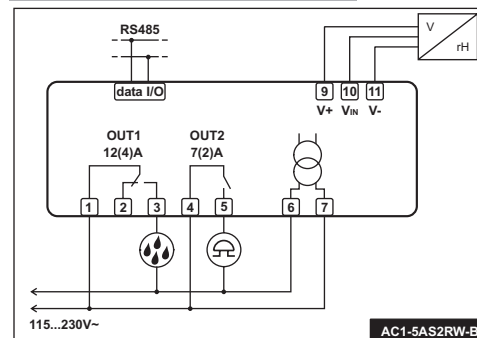
PAR	RANGO	DESCRIPCIÓN
<b>SCL</b>	1°C; 2°C; °F	Escala de lectura (ver la tablilla características entrada) <i>Atención: cambiando el valor de SCL, deberán ser configurados obligatoriamente los parámetros de las temperaturas absolutas y relativas (SPL, SPH, 1SP, 1HY etc..)</i>
<b>SPL</b>	-50°...SPH	Límite mínimo para la regulación de <b>1SP</b> .
<b>SPH</b>	SPL...150°	Límite máximo para la regulación de <b>1SP</b> .
<b>1SP</b>	SPL... SPH	Temperatura de conmutación (valor que se desea mantener en la cámara).
<b>1CM</b>	HY; PID	Modalidad de control. Con <b>1CM=HY</b> se selecciona la regulación con histéresis: en el control se utilizan los parámetros <b>1HY</b> , <b>1T0</b> y <b>1T1</b> . Con <b>1CM=PID</b> se selecciona la regulación Proporcional-Integral-Derivada: en el control se utilizan los parámetros <b>1PB</b> , <b>1IT</b> , <b>1DT</b> , <b>1AR</b> , <b>1CT</b> .
<b>1CH</b>	REF; HEA	Modo de regulación en refrigeración (REF) o calentamiento (HEA) de la salida 1.
<b>1CM=HY</b>	<b>1HY</b>	0...19.9° Diferencial del termostato. Con <b>1HY=0</b> la salida siempre se queda apagada.  Control ON/OFF en calefacción (1CM=HY, 1CH=HEA) 
	<b>1T0</b>	0...30min Tiempo mínimo de apagamiento Después de un apagamiento, la salida 1 se queda desactivada para <b>1T0</b> minutos, a cualquiera temperatura.
	<b>1T1</b>	0...30min Tiempo mínimo de activación. <i>(El parámetro sucesivo será 1PF).</i> Después de una activación la salida 1 se queda activada para <b>1T1</b> minutos, con cualquiera temperatura.
<b>1CM=PID</b>	<b>1PB</b>	0...19.9° Banda proporcional. El control de la temperatura se realiza variando el tiempo de ON de la salida: más la temperatura está cerca del setpoint, menor será el tiempo de activación. Una banda proporcional pequeña aumenta la rapidez del sistema en relación a las variaciones de temperatura, pero lo hace menos estable. Un control simplemente proporcional estabiliza la temperatura al interior de la banda proporcional, pero no anula el alejamiento con respecto al setpoint. Con <b>1PB=0</b> la salida siempre se queda apagada. 
	<b>1IT</b>	0...999s Tiempo de la acción integral. La inserción de una acción integral en un control proporcional anula el error en régimen de funcionamiento. El tiempo de la acción integral determina la velocidad con la que se alcanza la temperatura de régimen de funcionamiento, pero una velocidad alta ( <b>1IT</b> bajo) puede causar sobreelongación e inestabilidad en la respuesta. Con <b>1IT=0</b> el control integral se desactiva. 
	<b>1DT</b>	0...999s Tiempo de la acción derivada. La inserción de una acción derivada en un control proporcional-integral, disminuye la sobreelongación en la respuesta. Una acción derivada alta ( <b>1DT</b> alto) hace que el sistema sea muy sensible a las pequeñas variaciones de temperatura y puede conducir a la inestabilidad. Con <b>1DT=0</b> el control derivado se desactiva. 
	<b>1AR</b>	0...100% Reset de la acción integral referido a <b>1PB</b> . Disminuyendo el parámetro <b>1AR</b> disminuye la zona de acción del control integral y, por consiguiente, la sobreelongación (véase la figura en el párrafo <b>1IT</b> ).
	<b>1CT</b>	1...255s Tiempo de ciclo. Es el período al interior del cual el tiempo de ON de la salida varía. Cuanto más prontamente el sistema que tiene que ser controlado responde a las variaciones de la temperatura, tanto menor tiene que ser el tiempo de ciclo, para obtener más de estabilidad de la temperatura, y menor sensibilidad a las variaciones de carga. 
<b>1PF</b>	ON/OFF	Estado de la salida con sonda defectuosa.
<b>OAU</b>	NON; THR; AL0; AL1	Funcionamiento de la salida auxiliar AUX. NON: salida inhabilitada (siempre apagada). <i>(El próximo parámetro será ATM).</i> THR: salida programada como segundo termostato. <i>(El próximo parámetro será 2SM).</i> AL0: apertura de los contactos cuando se presenta una condición de alarma. <i>(El próximo parámetro será ATM).</i> AL1: Cerrazón de los contactos cuando se presenta una condición de alarma. <i>(El próximo parámetro será ATM).</i>
<b>OAU=THR</b>	<b>2SM</b>	ABS; REL Modalidad setpoint 2 El setpoint 2 puede ser absoluto ( <b>2SM=ABS</b> ), o un diferencial relativo al setpoint 1 ( <b>2SM=REL</b> ).
	<b>2SP</b>	SPL... SPH Temperatura de conmutación de la salida auxiliar <i>(El próximo parámetro será 2CH).</i>  Control ON/OFF en calefacción (2SM=ABS, 2CH=HEA) 

<b>OAU=THR</b>	<b>2DF</b>	-19.9...19.9° Diferencial de temperatura con respecto a <b>1SP</b> . El setpoint de la salida auxiliar corresponde a <b>1SP+2DF</b>  Control ON/OFF en refrigeración. Setpoint 2 relativo al setpoint 1 ( <b>OAU=THR, 2CH=HEA</b> ) 
	<b>2CH</b>	REF; HEA Modo de regulación en refrigeración (REF) o calentamiento (HEA) de la salida auxiliar.
	<b>2HY</b>	0...19.9° Diferencial del termostato 2. Con <b>2HY=0</b> la salida auxiliar siempre se queda apagada.
	<b>2T0</b>	0...30min Tiempo mínimo de apagamiento. Después de un apagamiento, la salida 2 se queda desactivada para <b>2T0</b> minutos, a cualquiera temperatura.
	<b>2T1</b>	0...30min Tiempo mínimo de activación. Después de una activación la salida 2 se queda activada para <b>2T1</b> minutos, a cualquiera temperatura.
	<b>2PF</b>	ON/OFF Estado de la salida 2 con sonda defectuosa.
<b>ATM=ABS</b>	<b>ALA</b>	-50°...AHA Umbral de alarma de baja temperatura.
	<b>AHA</b>	ALA...150° Umbral de alarma de alta temperatura.
	<b>ALR</b>	-12.0...0° Diferencial de alarma de baja temperatura. Con <b>ALR=0</b> se desactiva la alarma de baja temperatura.
	<b>AHR</b>	0...12.0° Diferencial de alarma de alta temperatura. Con <b>AHR=0</b> se desactiva la alarma de alta temperatura.
	<b>ATD</b>	0...120min Retardo en la señalización de la alarma de temperatura.
	<b>SB</b>	NO/YES Habilitación del botón <b>[@]</b> stand-by.
<b>ATM=REL</b>	<b>INP</b>	0mA/4mA, T1/T2, ST1/SN4 Selección del sensor en entrada. (ver tablilla características de entrada) <i>solamente en lo modelos AC1-5A..., AC1-5J..., AC1-5T...</i>
	<b>RLO</b>	-19.9...RHI Alcance mínimo de la escala ( <i>solamente en los modelos AC1-5 A..., AC1-5I...</i> ). Se asigna a RLO el valor mínimo medurado con el transmisor (correspondiente a 0V, 0/4mA)
	<b>RHI</b>	RLO...99.9 Alcance máximo de la escala ( <i>solamente en los modelos AC1-5A ..., AC1-5I...</i> ). Se asigna a RLO el valor máximo medurado con el transmisor (correspondiente a 1V, 20 mA).
	<b>OS1</b>	-12.5...12.5° Corrección medición sonda T1.
	<b>TLD</b>	1...30min Retardo en la memorización de las temperaturas mínimas (TLO) y máximas (THI) alcanzadas.
	<b>SIM</b>	0...100 Deceleración pantalla.
<b>ADR</b>	1...255 Dirección de AC1-5 para la comunicación con el PC.	

## CARACTERÍSTICAS ENTRADA

MODELO	ENTRADA	RANGO DE MEDICIÓN [PRECISIÓN DE MEDICIÓN]		
		SCL=1°C	SCL=2°C	SCL=°F
<b>AC1-5A...</b>	0+1V	RLO+RHI [ < ± 3mV ]		---
<b>AC1-5I...</b>	INP = 0mA	RLO+RHI [ < ± 0.2mA ]		---
	INP = 4mA			
<b>AC1-5J...</b>	INP=T1	---	-50+750°C [ < ±3°C ]	-60+999°F [ < ±5°F ]
	INP=T2	---	-50+999°C [ < ±3°C ]	
<b>AC1-5P...</b>	PT100	-50/-19.9+99.9/150°C [ < ±0.3°C ]	-100+850°C [ < ±1°C(-50+850°), ±2°C ]	-150+999°F [ < ±4°F ]
<b>AC1-5T...</b>	INP=ST1	PTC 1000 Ω (LAE ST1..)	-50/-19.9 + 99.9/150°C [ < ±0.3°C(-30+130°), ±1°C ]	-50 + 150°C [ < ±0.3°C (-30+130°), ±1°C ]
	INP=SN4	NTC 10K Ω (LAE SN4..)	-40/-19.9 + 99.9/125°C [ < ±0.3°C(-40+100°), ±1°C ]	-40 + 125°C [ < ±0.3°C (-40+100°), ±1°C ]

## ESQUEMAS DE CONEXIÓN



# AC1-5



## INSTRUCTIONS FOR USE INSTRUCCIONES DE USO



VIA PADOVA, 25  
31046 ODERZO /TV /ITALY  
TEL. +39 - 0422 815320  
FAX +39 - 0422 814073  
www.lae-electronic.com  
E-mail: sales@lae-electronic.com

## DATOS TÉCNICOS

**Alimentación**  
AC1-5...D 12Vac/dc ±10%, 2W  
AC1-5...W 110 - 230Vac±10%, 50/60Hz, 2W

### Salida Relé (AC1-5..R.)

OUT1 12(4)A  
OUT2 7(2)A

### Pilotaje SSR (AC1-5..M.)

OUT1 15mA 12Vdc

### Entradas

ver la tablilla características entrada

### Rango de medición

ver la tablilla características entrada

### Precisión de medición

ver la tablilla características entrada

### Condiciones de funcionamiento

-10 ... +50°C; 15%...80% H.R.

### CE (Normativas de referencia)

EN60730-1; EN60730-2-9;  
EN55022 (Clase B); EN50082-1

### Protección frontal

IP55

## AC1-5

INSTRUCTIONS FOR USE

INSTRUCCIONES DE USO



0LAC1001-02