

Refrigeration controllers / Multiplexed cabinet refrigeration controllers / XM series

Multifunction controller for normal and low temperature ventilated applications with auxiliary output

XM470K**dixell**

K: OS open board (or in GS format)

© DIXELL Israel
Mekor Chaim 35, POB 4360
Jerusalem 91042 - Israel
Tel: +972(0)2.679.94.79
Fax: +972(0)2.679.94.78
www.dixell.co.il

Features

Display	On keyboard 3 digits, d.p., -
Remote keyboard	8 push buttons (T840-V840)
Power supply	110, 230Vac

Probe inputs

Thermostat	NTC
Defrost	NTC
Display	NTC

Digital inputs

Start defrost, pressure switch	configurable
AUX, generic alarm	
serious alarm mode	
light, ON/OFF, holiday	
Energy saving	present

Relay outputs

Compressor	8A
Defrost	20A
Fans	8A
Light	16A
Alarm or auxiliary	8A

Other Outputs

Hot Key/Prog Tool Kit output	present
Remote display output	X-REP
Serial output	TTL, RS485 optional

Other

Buzzer	On keyboard optional
Real time clock	optional

Measurement

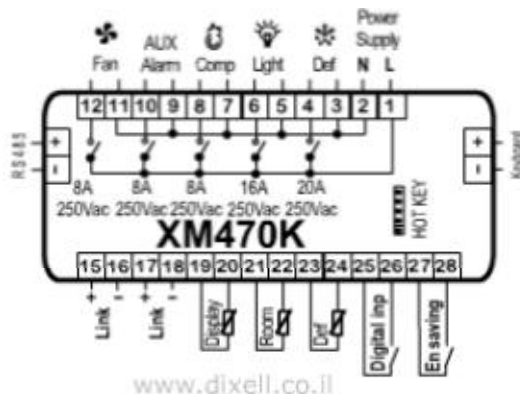
Measurement range	probe dependent
Accuracy	Better than 1% of full scale

Generals

Data Storage	EEPROM memory
Operating temperature	0° ÷ 60°C 32° ÷ 140°F
Storage temperature	-30° ÷ 85°C 22° ÷ 185°F
Relative humidity	20÷85%

Resolution 0.1°C or 1°F

This product is also available with standard case.



21.07.2015

The continuous improvement of Dixell's products can cause some variations in the information included in this catalogue even without notice.