

AD2-28 INSTRUCTIONS FOR USE

Thank you for having chosen an LAE electronic product. Before installing the instrument, please read this instruction booklet carefully in order to ensure safe installation and optimum performance.

DESCRIPTION



Fig.1 - Front panel

- Info / Setpoint button.
- Manual defrost / Decrease button.

INDICATIONS

- Thermostat output
- Fan output
- Defrost output
- Activation of 2nd parameter set
- Alarm
- Manual activation / Increase button.
- Exit / Stand-by button.

INSTALLATION

- The AD2-28 controller, size 107x95x47 mm (WxHxD), is to be secured to a DIN rail in such a position as to ensure that no liquid infiltrates causing serious damage and compromising safety.
- Make sure that electrical connections comply with the paragraph "wiring diagrams". To reduce the effects of electromagnetic disturbance, keep the sensor and signal cables well separate from the power wires.
- Place the probe T1 inside the room in a point that truly represents the temperature of the stored product.
- Place the probe T2 on the evaporator where there is the maximum formation of frost.
- The function of probe T3 is determined by the parameter T3. With T3=DSP the probe measures the temperature to be displayed. With T3=CND the probe measures the condenser temperature, it must therefore be placed between the fins of the condensing unit. With T3=2EU the probe measures the temperature of the second evaporator and it must therefore be placed where there is the maximum formation of frost. With T3=NON, the third probe is disabled.

OPERATION

DISPLAY

During normal operation, the display shows either the temperature measured or one of the following indications:

dEF	Defrost in progress	hP	Condenser high pressure alarm
oFF	Controller in stand-by	h ₁	Room high temperature alarm
cL	Condenser clean warning	L ₀	Room low temperature alarm
d _o	Door open alarm	E 1	Probe T1 failure
hC	Condenser high temperature alarm	E 2	Probe T2 failure
		E 3	Probe T3 failure

INFO MENU

The information available in this menu is:

E 1	Instant probe 1 temperature	E h ₁	Maximum probe 1 temperature recorded
E 2	Instant probe 2 temperature	E L ₀	Minimum probe 1 temperature recorded
E 3	Instant probe 3 temperature	cnd**	Compressor working weeks
		L _{oc}	Keypad state lock

** : displayed only if enabled (see §Configuration Parameters) ** : displayed only if ACC > 0

Access to menu and information displayed.

- Press and immediately release button (I).
- With button (V) or (A) select the data to be displayed.
- Press button (I) to display value.
- To exit from the menu, press button (X) or wait for 10 seconds.

Reset of THI, TLO, CND recordings

- With button (V) or (A) select the data to be reset.
- Display the value with button (I).
- While keeping button (I) pressed, use button (X).

SETPOINT : display and modification

- Press button (I) for at least half second, to display the setpoint value.
- By keeping button (I) pressed, use button (V) or (A) to set the desired value (adjustment is within the minimum SPL and the maximum SPH limit).
- When button (I) is released, the new value is stored.

STAND-BY

Button (S), when pressed for 3 seconds, allows the controller to be put on a standby or output control to be resumed (with SB=YES only).

KEYPAD LOCK

The keypad lock avoids undesired, potentially dangerous operations, which might be attempted when the controller is operating in a public place. In the INFO menu, set parameter LOC=YES to inhibit all functions of the buttons. To resume normal operation of keypad, adjust setting so that LOC=NO.

SELECTION OF SECOND PARAMETER GROUP

It's possible to select control parameters between two different pre-programmed groups, in order for the fundamental control parameters to be adapted quickly to changing needs. Changeover from Group I to Group II (and vice versa) may take place MANUALLY by pressing button (M) for 2 seconds (with IISM=MAN), or AUTOMATICALLY when heavy duty conditions are detected (with IISM=HDD), or when IISM=DI2 and the AUXILIARY INPUT DI2 is activated (the activation of DI2 selects Group II). If IISM=NON, switchover to Group II is inhibited. The activation of Group II is signalled by the lighting up of the relevant LED on the controller display.

DEFROST

- Automatic defrost.** Defrost starts automatically as soon as the time set with parameter DFT has elapsed.
- Timed defrost.** With DFM=TIM defrosts take place at regular intervals when the timer reaches the value of DFT. For example, with DFM=TIM and DFT=06, a defrost will take place every 6 hours.
- Optimized defrost.** With DFM=FRO the timer is only increased when the conditions occur for frost to form on the evaporator, until the time set with parameter DFT is matched. If the evaporator works at 0°C, defrost frequency depends on the thermal load and climatic conditions. With setpoints much lower than 0°C, defrost frequency mainly depends on the refrigerator operating time.
- Synchronised defrost.** With DI2=DSY and when more units (models AD2-28x3xxx only) are linked to each other as per Fig. 3, synchronised defrosts of all linked controllers will take place. The first controller which will start defrost, will also get all other controllers synchronised.
- Defrost time count backup.** At the power-up, if DFB=YES, the defrost timer resumes the time count from where it was left off before the power interruption. Vice versa, with DFB=NO, the time count re-starts from 0. In stand-by, the accumulated time count is frozen.
- Manual or remote defrost start.** It's possible to manually start a defrost, by pressing button (M) for 2 seconds, or defrost may be started remotely, if DI2=RDS, through the making of the auxiliary contact DI2.
- Defrost type.** Once defrost has started, Compressor and Defrost outputs are controlled according to parameter DTY. If FID=YES, the evaporator fans are active during defrost.
- Defrost termination.** The actual defrost duration is influenced by a series of parameters.
- Time termination:** T2=NO and T3 different from 2EU: the evaporator temperature is not monitored and defrost will last as long as time DTO.
- Temperature monitoring of one evaporator:** T2=YES and T3 different from 2EU. In this case, if the sensor T2 measures the temperature DLI before the time DTO elapses, defrost will be terminated in advance.
- Temperature monitoring of two evaporators:** T2=YES, T3=2EU, OAU=2EU. This function is for the control of two independent evaporators and it switches off the individual heating of the evaporator which gets to temperature DLI first, waiting for the second evaporator to get to that temperature before the time DTO elapses.

Resuming thermostatic cycle. When defrost is over, if DRN is greater than 0, all outputs will remain off for DRN minutes, in order for the ice to melt completely and the resulting water to drain. Moreover, if probe T2 is active (T2=YES), the fans will re-start when the evaporator gets to a temperature lower than FDD; Vice versa, if probe T2 is not active (T2=NO) or after defrost has come to an end, such condition does not occur by end of the time FTO, after FTO minutes have elapsed the fans will be switched on anyway.

Caution: if DFM=NON or C-H=HEA all defrost functions are inhibited; if DFT=0, automatic defrost functions are excluded. During a high pressure alarm, defrost is suspended. During defrost, high temperature alarm is bypassed.

CONFIGURATION PARAMETERS

- To get access to the parameter configuration menu, press button (M) + (I) for 5 seconds.
- With button (V) or (A) select the parameter to be modified.
- Press button (I) to display the value.
- By keeping button (I) pressed, use button (V) or (A) to set the desired value.
- When button (I) is released, the newly programmed value is stored and the following parameter is displayed.
- To exit from the setup, press button (X) or wait for 30 seconds.

PAR	RANGE	DESCRIPTION
SCL	1°C; 2°C; °F	Readout scale. 1°C (with INP=SN4 only): measuring range -50/-9.9 ... 19.9/80°C 2°C : measuring range -50 ... 120°C °F : measuring range -55 ... 240°F <i>Caution: upon changing the SCL value, it is then absolutely necessary to re-configure the parameters relevant to the absolute and relative temperatures (SPL, SPH, SP, ALA, AHA, etc.).</i>
SPL	-50...SPH	Minimum limit for SP setting.
SPH	SPL...120°	Maximum limit for SP setting.
SP	SPL... SPH	Setpoint (value to be maintained in the room).
C-H	REF; HEA	Refrigerating (REF) or Heating (HEA) control mode.
HYS	1...10°	OFF/ON thermostat differential.
CRT	0...30min	Compressor rest time. The output is switched on again after CRT minutes have elapsed since the previous switchover. We recommend to set CRT=03 with HYS<2.0°.
CT1	0...30min	Thermostat output run when probe T1 is faulty. With CT1=0 the output will always remain OFF.
CT2	0...30min	Thermostat output stop when probe T1 is faulty. With CT2=0 and CT1>0 the output will always be ON. <i>Example:</i> CT1=4, CT2= 6: In case of probe T1 failure, the compressor will cycle 4 minutes ON and 6 minutes OFF.
CSD	0...30min	Compressor stop delay after the door has been opened (active only if DS=YES).
DFM	NON; TIM; FRO	Defrost start mode NON : defrost function is disabled (the following parameter will be FID). TIM : regular time defrost. FRO : the defrost time count is only increased when the conditions occur for frost to form on the evaporator (optimised time increase).
DFT	0...99 hours	Time interval among defrosts. When this time has elapsed since the last defrost, a new defrost cycle is started.
DFB	NO/YES	Defrost timer backup. With DFB=YES, after a power interruption, the timer resumes the count from where it was left off with ±30 min. approximation. With DFB=NO, after a power interruption, the defrost timer will re-start to count from zero.
DLI	-50...120°	Defrost end temperature.
DTO	1...120min	Maximum defrost duration.
DTY	OFF; ELE; GAS	Defrost type OFF: off cycle defrost (Compressor and Heater OFF). ELE: electric defrost (Compressor OFF and Heater ON). GAS: hot gas defrost (Compressor and Heater ON).
DPD	0...240sec	Evaporator pump down. At the beginning of defrost, defrost outputs (determined by DTY) are OFF for DPD seconds.
DRN	0...30min	Pause after defrost (evaporator drain down time).
DDM	RT; LT; SP; DEF	Defrost display mode. During defrost the display will show: RT: the real temperature; LT: the last temperature before defrost; SP: the current setpoint value; DEF: "dEF".
DDY	0...60min	Display delay. The display shows the information selected with parameter DDM during defrost and for DDY minutes after defrost termination.
FID	NO/YES	Fans active during defrost.
FDD	-50...120°	Evaporator fan re-start temperature after defrost.
FTO	0...120min	Maximum evaporator fan stop after defrost.
FCM	NON; TMP; TIM	Fan mode during thermostatic control. NON : The fans remain ON all the time; TMP : Temperature-based control. The fans are ON when the compressor is ON. When the compressor is turned OFF, the fans remain ON as long as the temperature difference Te-Ta is greater than FDT. The fans are turned ON again with FDH differential. (Te = Evaporator temperature, Ta = Air temperature); TIM : Timed-based control. The fans are ON when the compressor is ON. When the compressor is OFF, the fans switch ON and OFF according to parameters FT1, FT2, FT3 (See Fig.2).
FDT	-120...0°	Evaporator-Air temperature difference for the fans to turn OFF after the compressor has stopped.
FDH	1...120°	Temperature differential for fan re-start. <i>Example:</i> FDT = -1, FDH=3. In this case, after the compressor has stopped, the fans are OFF when Te > Ta - 1 (FDT), whereas the fans are ON when Te < Ta - 4 (FDT-FDH).
FT1	0...180sec	Fan stop delay after compressor stop. See Fig. 2
FT2	0...30min	Timed fan stop. With FT2=0 the fans remain on all the time.
FT3	0...30min	Timed fan run. With FT3=0, and FT2 > 0, the fans remain off all the time.
ATM	NON; ABS; REL	Alarm threshold management. NON : all temperature alarms are inhibited (the following parameter will be ADO). ABS : the values programmed in ALA and AHA represent the real alarm thresholds. REL : the values programmed in ALR and AHR are alarm differentials referred to SP and SP+HYS.
ALA	-50... 120°	Low temperature alarm threshold.
AHA	-50... 120°	High temperature alarm threshold.
ALR	-12... 0°	Low temperature alarm differential. With ALR=0 the low temperature alarm is excluded.
AHR	0... 12°	High temperature alarm differential. With AHR=0 the high temperature alarm is excluded.
ATI	T1; T2; T3	Probe used for temperature alarm detection.
ATD	0... 120min	Delay before alarm temperature warning.
ADO	0... 30min	Delay before door open alarm warning.
AHM	NON; ALR; STP;	Operation in case of high condenser alarm NON : high condenser alarm inhibited. ALR : in case of alarm, "HC" flashes in the display and the buzzer is switched on. STP : in addition to the alarm symbols displayed, the compressor is stopped and defrosts are suspended.

AHT	-50...120°	Condensation temperature alarm (referred to T3 probe).
ACC	0...52 weeks	Condenser periodic cleaning. When the compressor operation time, expressed in weeks, matches the ACC value programmed, "CL" flashes in the display. With ACC=0 the condenser cleaning warning is disabled and CND disappears from Info Menu.
IISM	NON; MAN; HDD; DI2	Switchover mode to second parameter set NON : inhibition to use the second parameter group (the following parameter will be SB). MAN : button (M) switches the two parameter groups over. HDD : automatic switchover to the second parameter group, when heavy duty conditions are detected. DI2 : switchover to the second parameter group when the auxiliary DI2 input makes.
IISL	-50... IISH	Minimum limit for IISP setting.
IISH	IISL... 120°	Maximum limit for IISP setting.
IISP	IISL... IISH	Setpoint in mode 2.
IIHY	1... 10°	OFF/ON differential in mode 2.
IIFC	NON;TMP; TIM	Fan control in mode 2. See FCM.
HDS	1...5	Controller sensitivity for the automatic switchover from Group I to Group II (1=minimum, 5=maximum).
IIDF	0...99 hours	Time interval among defrosts in mode 2.
DS	NO/YES	Stand-by button (S) enabling.
SB	NO/YES	Door switch input enabling (closed when door is closed).
DI2	NON; HPS; IISM; RDS; DSY	DI2 digital input operation NON : digital input 2 not active. HPS : when contact opens a condensing unit high pressure alarm occurs. IISM : when contact makes the controller will use group 2 parameters. RDS : when contact makes a defrost is started (remote control). DSY : defrost synchronisation. The defrosts, linked as per Fig. 3, will all start and end defrost together. The first controller in defrost will get defrost of all the others started. The last controller ending defrost will get defrost of all the others stopped.
LSM	NON; MAN; DOR	Light control mode NON : light output not controlled. MAN : light output controlled through button (M) (if OAx=LGT). DOR : light output switched on when door is opened (if OAx=LGT).
OA1	NON; 0-1; LGT; 2CU; 2EU; AL0; AL1	AUX 1 output operation NON : output disabled (always off). 0-1 : the relay contacts follow the on/standby state of controller. LGT : output enabled for light control. 2CU : output programmed for the control of an auxiliary compressor. 2EU : output enabled for the control of the electrical defrost of a second evaporator. AL0 : contacts open when an alarm condition occurs. AL1 : contacts make when an alarm condition occurs.
OA2	See OA1	AUX2 output operation. See OA1.
2CD	0...120 sec	Auxiliary compressor start delay. If OAx=2CU the auxiliary output is switched on with a delay of 2CD seconds after the main compressor has cut-in. Both compressors are turned off at the same time.
INP	SN4; ST1	Temperature sensor selection. With INP=SN4, the probes must be the LAE models SN4.; with INP = ST1, the probes must be the LAE models ST1...
OS1	-12.5..12.5°C	Probe T1 offset.
T2	NO/YES	Probe T2 enabling (evaporator).
OS2	-12.5..12.5°C	Probe T2 offset.
T3	NON; DSP; CND; 2EU	Auxiliary probe T3 operation NON : probe T3 not fitted. DSP : temperature T3 to be displayed. CND : condenser temperature measurement. 2EU : second evaporator temperature measurement.
OS3	-12.5..12.5°C	Probe 3 offset.
TLD	1...30 min	Delay for minimum temperature (TLO) and maximum temperature (THI) logging.
SIM	0...100	Display slowdown.
ADR	1...255	AD2-28 address for PC communication.

WIRING DIAGRAMS

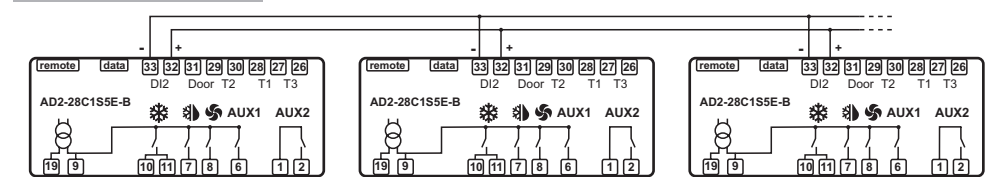
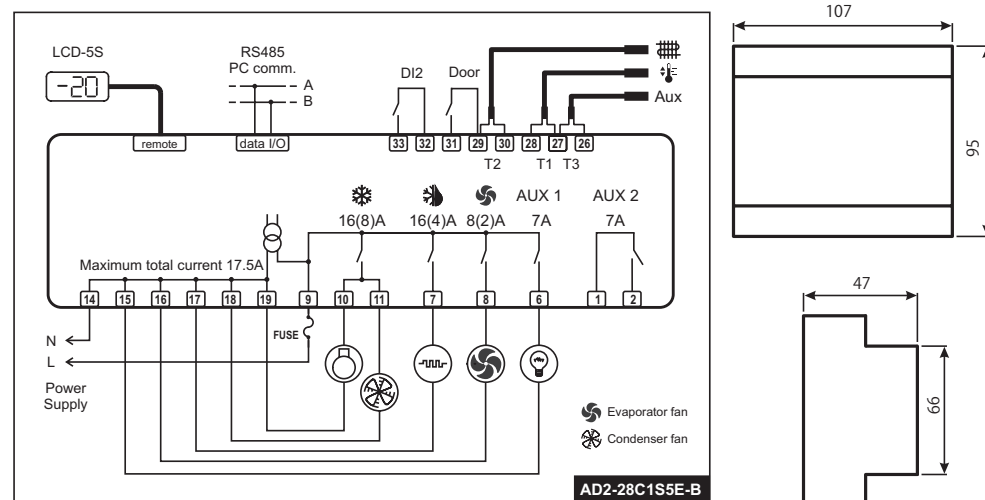


Fig.3 Connection for synchronising defrost start and termination



TECHNICAL DATA

Power supply

AD2-28...D	12Vac/dc ±10%, 3W
AD2-28...E	230Vac±10%, 50/60Hz, 3W
AD2-28...U	115Vac±10%, 50/60Hz, 3W

Relay output max loads (240Vac)

	AD2-28...S/T...-	AD2-28...Q/R...-
Compressor	16A resistive 8 FLA 48 RLA	12A resistive 8 FLA 48 RLA
Evap. Fan	8A resistive 2 FLA 12 RLA	8A resistive 2 FLA 12 RLA
Defrost	16A resistive	12A resistive
Auxiliary loads 1	7A resistive	7A resistive
Auxiliary loads 2	7A resistive	7A resistive

Input

NTC 10KQ@25°C	LAE Part No. SN4...
PTC 1000Q@25°C	LAE Part No. ST1...

Measurement Range

-50...120°C, -55...240°F
-50 / -9.9 ... 19.9 / 80°C (NTC10K only)

Measurement accuracy

<0.5°C within the measurement range

Operating conditions

-10 ... +50°C; 15%...80% r.H.

CE - UL (Approvals and Reference norms)

EN60730-1; EN60730-2-9; EN55022 (Class B);
EN50082-1
SA32385, UL 60730-1A



VIA PADOVA, 25
31046 ODERZO /TV /ITALY
TEL. +39 - 0422 815320
FAX +39 - 0422 814073
www.lae-electronic.com
E-mail: sales@lae-electronic.com

AD2-28 ISTRUZIONI D'USO

Vi ringraziamo per la preferenza accordataci scegliendo un prodotto LAE electronic. Prima di procedere all'installazione dello strumento, leggete attentamente il presente foglio d'istruzioni: solo così potrete ottenere massime prestazioni e sicurezza.

DESCRIZIONE



Fig.1 - Front panel

- Tasto Info / Setpoint.
- Tasto sbrinamento manuale/decremento.

INDICAZIONI

- Uscita termostatazione
- Uscita ventole
- Uscita sbrinamento
- Attivazione 2° set di parametri
- Allarme
- Tasto modalità manuale / incremento.
- Tasto Uscita / Stand-by.

INSTALLAZIONE

- Lo strumento ha dimensioni 107x95x47 mm (LxHxP); va fissato ad una barra DIN in una posizione tale da garantire l'impossibilità di infiltrazioni che potrebbero causare gravi danni e compromettere la sicurezza.
- Esegui i collegamenti elettrici facendo riferimento al paragrafo "schemi di collegamento". Per ridurre gli effetti delle perturbazioni elettromagnetiche, distanziare i cavi delle sonde e di segnale dai conduttori di potenza.
- Posizionare la sonda T1 in un punto della cella che ben rappresenti la temperatura del prodotto da conservare.
- Posizionare la sonda T2 sull'evaporatore nel punto di maggior formazione di brina.
- La funzione della sonda T3 è determinata dal parametro T3. Con T3=DSPL la sonda misura la temperatura da visualizzare sul display; con T3=CND la sonda rileva la temperatura del condensatore, va quindi posizionata fra le alette dell'unità condensante; con T3=2EU la sonda misura la temperatura del secondo evaporatore e va posizionata nel punto di maggior formazione di brina; con T3=NON si disabilita l'utilizzo della terza sonda.

FUNZIONAMENTO

VISUALIZZAZIONI

In funzionamento normale sul display viene visualizzata la temperatura rilevata oppure una delle indicazioni seguenti:

<i>dEF</i>	Sbrinamento in corso	<i>hP</i>	Allarme di alta pressione sul condensatore
<i>oFF</i>	Strumento in stand-by	<i>h1</i>	Allarme di alta temperatura in cella
<i>cL</i>	Richiesta pulizia condensatore	<i>L0</i>	Allarme di bassa temperatura in cella
<i>d0</i>	Allarme porta aperta	<i>E1</i>	Guasto nella sonda T1
<i>hc</i>	Allarme alta temperatura sul condensatore	<i>E2</i>	Guasto nella sonda T2
		<i>E3</i>	Guasto nella sonda T3

INFO MENU

Le informazioni disponibili nel menù info sono:

<i>t1</i>	Temperatura istantanea sonda 1	<i>tH1</i>	Temperatura massima registrata sonda 1
<i>t2</i>	* Temperatura istantanea sonda 2	<i>tLo</i>	Temperatura minima registrata sonda 1
<i>t3</i>	* Temperatura istantanea sonda 3	<i>cnd**</i>	Settimane di funzionamento del compressore
		<i>Loc</i>	Stato della tastiera (blocco)

*: visualizzate solo se abilitate (vedere §Parametri di Configurazione) **: visualizzato solo se ACC > 0

Accesso al menù e visualizzazione informazioni.

- Premere e subito rilasciare il tasto .
- Con i tasti o selezionare il dato da visualizzare.
- Premere il tasto per visualizzare il valore.
- Per uscire dal menù, premere il tasto o attendere 10 sec.

Reset delle memorizzazioni THI, TLO, CND

- Con i tasti o selezionare il dato da resettare.
- Visualizzare il valore con il tasto .
- Mantenendo premuto il tasto premere il tasto .

SETPOINT : visualizzazione e modifica

- Premere per almeno mezzo secondo il tasto per visualizzare il valore del setpoint.
- Mantenendo premuto agire coi tasti o per impostare il valore desiderato (la regolazione è compresa entro il limite minimo SPL e massimo SPH).
- Al rilascio del tasto il nuovo valore viene memorizzato.

STAND-BY

Il tasto , premuto per 3 secondi, consente di commutare lo stato del regolatore fra operatività delle uscite e standby (solo con SB=YES).

BLOCCO DELLA TASTIERA

Il blocco dei tasti impedisce operazioni indesiderate, potenzialmente dannose, che possono avvenire qualora il regolatore operi in ambiente pubblico. Per inibire tutti i comandi da tastiera impostare LOC=YES nel menù INFO; per ripristinare la normale funzionalità riprogrammare LOC=NO.

SELEZIONE SECONDO GRUPPO DI PARAMETRI

È possibile selezionare i parametri di regolazione fra due diversi gruppi pre-programmati, per adattare in pochi istanti i parametri fondamentali del regolatore alle diverse esigenze. Il passaggio dal Gruppo I al Gruppo II (e viceversa) può avvenire MANUALMENTE premendo per 2 secondi il tasto (con IISM=MAN), o AUTOMATICAMENTE al rilevamento di condizioni di utilizzo severe (con IISM=HDD), o quando IISM=DI2 e viene chiuso l'INGRESSO AUSILIARIO DI2 (l'attivazione selezione il Gruppo II). Se IISM=NON, il passaggio al Gruppo II è interdetto. L'attivazione del Gruppo II è segnalata dall'apposito LED nel pannello frontale.

SBRINAMENTO

Sbrinamento automatico. Uno sbrinamento viene attivato automaticamente quando il timer interno raggiunge il tempo impostato nel parametro DFT.

- Sbrinamento temporizzato:** Con DFM=TIM l'incremento del timer è continuo e gli sbrinamenti avvengono ad intervalli regolari. Ad esempio con DFM=TIM e DFT=06 si avranno cicli di sbrinamento ad una distanza di 6 ore l'uno dall'altro.
- Sbrinamento ottimizzato:** Con DFM=FRO il timer viene incrementato solo al verificarsi della condizione per la formazione di brina sull'evaporatore, fino ad eguagliare il parametro DFT. Se l'evaporatore lavora attorno a 0°C la frequenza degli sbrinamenti risulta funzione del carico termico e delle condizioni climatiche. Con setpoint molto inferiori a 0°C, la frequenza degli sbrinamenti dipende principalmente dai tempi di funzionamento del refrigeratore.
- Sbrinamento sincronizzato:** Con DI2=DSY e con più unità (solo modelli AD2-28x3xx) collegate tra loro come in Fig. 3, lo sbrinamento avviene in maniera sincronizzata su tutte le unità connesse. L'unità che per prima attiverà lo sbrinamento comanderà il sincronismo su tutte le altre.
- Salvataggio conteggio:** All'accensione dello strumento se DFB=YES il timer di sbrinamento riprende il conteggio dal tempo accumulato prima dello spegnimento, altrimenti (DFB=NO) riparte da 0. In modalità stand-by il conteggio accumulato è bloccato.

Sbrinamento manuale o start remoto. È possibile attivare uno sbrinamento manualmente, premendo per 2 secondi il tasto oppure, con DI2=RDS, tramite la chiusura del contatto ausiliario DI2.

Tipo di sbrinamento. Iniziato uno sbrinamento, le uscite Compressore e Sbrinamento sono comandate in conformità al parametro DTY. Se FID=YES le ventole evaporatore sono attive durante uno sbrinamento.

Termine dello sbrinamento. La durata effettiva dello sbrinamento è influenzata da una serie di parametri.

- Terminazione a tempo:** T2=NO e T3 diverso da 2EU: la temperatura dell'evaporatore non viene monitorata e lo sbrinamento avrà sempre durata pari al tempo DTO.
- Monitoraggio temperatura su un evaporatore:** T2=YES e T3 diverso da 2EU: qualora la sonda T2 raggiunga la temperatura DLI entro il tempo DTO, lo sbrinamento avrà una conclusione anticipata
- Monitoraggio temperatura su due evaporatori:** T2=YES, T3=2EU, OAU=2EU. Questa modalità è destinata al controllo indipendente di due evaporatori e prevede lo spegnimento individuale del riscaldamento dell'evaporatore che raggiunge per primo la temperatura DLI in attesa che, entro il tempo DTO, anche il secondo raggiunga tale temperatura (v. figura).

Ristabilimento ciclo termostatico. Terminato lo sbrinamento, se DRN è maggiore di 0, tutte le uscite rimarranno spente per DRN minuti, per consentire una completa fusione del ghiaccio e lo smaltimento dell'acqua formata. Inoltre, qualora la sonda T2 sia attiva (T2=YES), le ventole ripartiranno quando l'evaporatore avrà una temperatura inferiore a FDD; se però o la sonda T2 non è attiva (T2=NO) o, dopo la conclusione dello sbrinamento, tale condizione non si verifica entro il tempo FTO, trascorsi FTO minuti le ventole vengono comunque riavviate.

Attenzione: se DFM=NON o C-H=HEA tutte le funzioni di sbrinamento sono inibite; se DFT=0 vengono escluse le funzioni di sbrinamento automatico; durante un allarme di Alta Pressione lo sbrinamento è sospeso; durante uno sbrinamento l'allarme d'alta temperatura è sospeso.

PARAMETRI DI CONFIGURAZIONE

- Per accedere al menù di configurazione dei parametri, premere per 5 secondi i tasti + .
- Con i tasti o selezionare il parametro da modificare.
- Premere il tasto per visualizzare il valore.
- Mantenendo premuto agire con i tasti o per impostare il valore desiderato.
- Al rilascio del tasto il nuovo valore viene memorizzato e viene visualizzato il parametro successivo.
- Per uscire dal setup premere il tasto o attendere 30 secondi.

PAR	RANGE	DESCRIZIONE
SCL	1°C; 2°C; °F	Scala di lettura. 1°C (solo con INP=SN4): range di misura -50/-9.9 ... 19.9/80°C 2°C : range di misura -50 ... 120°C °F : range di misura -55 ... 240°F Attenzione: cambiando il valore di SCL vanno assolutamente riconfigurati i parametri riguardanti le temperature assolute e relative (SPL, SPH, SP, ALA, AHA, ecc.).
SPL	-50...SPH	Limite minimo per la regolazione di SP.
SPH	SPL...120°	Limite massimo per la regolazione di SP.
SP	SPL...SPH	Temperatura di commutazione (valore che si desidera mantenere nella cella).
C-H	REF; HEA	Modo di regolazione refrigerazione (REF) o riscaldamento (HEA).
HYS	1...10°	Differenziale OFF/ON del termostato.
CRT	0...30min	Tempo di fermata del compressore. La riaccensione dell'uscita avviene solo se sono trascorsi CRT minuti dal precedente spegnimento. Consigliamo CRT=03 con HYS<2.0°.
CT1	0...30min	Tempo di attivazione dell'uscita termostato durante un'anomalia della sonda T1. Con CT1=0 l'uscita sarà sempre OFF.
CT2	0...30min	Tempo di fermata dell'uscita termostato durante un'anomalia della sonda T1. Con CT2=0 e CT1>0 l'uscita sarà sempre ON. Esempio: CT1=4, CT2=6: In caso di rottura della sonda T1 il compressore funziona con cicli di 4 minuti ON e 6 minuti OFF.
CSD	0...30min	Ritardo della fermata del compressore in seguito all'apertura della porta (attivo solo se DS=YES).
DFM	NON; TIM; FRO	Modalità di avvio di un ciclo di sbrinamento NON : la funzione di sbrinamento viene disabilitata (il successivo parametro sarà FID). TIM : il timer per l'attivazione dello sbrinamento è incrementato in modo continuo. FRO : il timer viene incrementato solo quando sull'evaporatore si verificano le condizioni per la formazione di brina (incremento ottimizzato).
DFT	0...99 ore	Valore del timer raggiunto il quale si ha l'avvio di un ciclo di sbrinamento.
DFB	NO/YES	Memorizzazione del tempo accumulato dal timer di sbrinamento. Con DFB=YES, dopo un'interruzione dell'alimentazione (blackout) il timer riparte dal valore raggiunto al momento dello spegnimento ± 30 min. Con DFB=NO, dopo un'interruzione dell'alimentazione, il timer riparte da zero.
DLI	-50...120°	Temperatura di fine sbrinamento.
DTO	1...120min	Durata massima dello sbrinamento.
DTY	OFF; ELE; GAS	Tipo di sbrinamento OFF : sbrinamento a fermata (Compressore e Sbrinatori OFF). ELE : sbrinamento elettrico (Compressore OFF e Sbrinatori ON). GAS : sbrinamento a gas caldo (Compressore e Sbrinatori ON).
DPD	0...240sec	Pump down dell'evaporatore. All'inizio dello sbrinamento, le uscite di sbrinamento (definite con DTY) sono spente per DPD secondi.
DRN	0...30min	Pausa dopo uno sbrinamento (sgocciolamento dell'evaporatore).
DDM	RT; LT; SP; DEF	Display durante lo sbrinamento: RT : temperatura reale; LT : ultima temperatura prima dello sbrinamento; SP : setpoint attuale; DEF : "dEF".
DDY	0...60min	Ritardo nella visualizzazione. Durante lo sbrinamento e per DDY minuti dopo il termine di questa fase, il display mostra l'informazione selezionata col parametro DDM.
FID	NO/YES	Attivazione ventole in sbrinamento.
FDD	-50...120°	Temperatura di ripartenza ventole evaporatore dopo uno sbrinamento.
FTO	0...120min	Durata massima fermata ventole evaporatore dopo uno sbrinamento.
FCM	NON; TMP; TIM	Controllo ventole evaporatore durante la termostatazione. NON : le ventole rimangono sempre in funzione; TMP : controllo in temperatura. Le ventole sono attive quando il compressore è in funzione. Allo spegnimento del compressore, le ventole rimangono accese fintantoché la differenza di temperatura Te-Ta è maggiore di FDT. Le ventole ripartono con il differenziale FDH. (Te = Temperatura evaporatore, Ta = Temperatura aria); TIM : controllo temporizzato. Le ventole sono attive quando il compressore è in funzione. Allo spegnimento del compressore, le ventole si accendono e spengono in base ai parametri FT1, FT2, FT3 (vedere Fig. 2).
FDT	-120...0°	Differenza Evaporatore – Aria per spegnere le ventole dopo la fermata del compressore.
FDH	1...120°	Differenziale di temperatura per il riavvio delle ventole evaporatore. Esempio: FDT = -1, FDH = 3. In questo caso, dopo la fermata del compressore, le ventole si spengono quando Te > Ta -1 (FDT), al contrario le ventole si riaccendono quando Te < Ta -4 (FDT-FDH).
FT1	0...180sec	Ritardo spegnimento ventole dopo lo spegnimento del compressore. Vedi Fig.2
FT2	0...30min	Fermata temporizzata ventole. Con FT2=0 le ventole rimangono sempre in funzione.
FT3	0...30min	Corsa temporizzata ventole. Con FT3=0 e FT2 > 0, le ventole rimangono sempre spente.
ATM	NON; ABS; REL	Gestione soglie allarme. NON : Tutti gli allarmi di temperatura sono interdetti. (Il successivo parametro sarà ADO) ABS : I valori programmati in ALA e AHA rappresentano le reali soglie d'allarme REL : I valori programmati in ALR e AHR sono i differenziali d'allarme rispetto a SP e SP+HY.
ALA	-50... 120°	Soglia d'allarme di bassa temperatura.
AHA	-50... 120°	Soglia d'allarme di alta temperatura.
ALR	-12... 0°	Differenziale d'allarme di bassa temperatura. Con ALR=0 l'allarme di bassa temperatura viene escluso.
AHR	0... 12°	Differenziale d'allarme di alta temperatura. Con AHR=0 l'allarme di alta temperatura viene escluso.
ATI	T1; T2; T3	Selezione sonda di riferimento per l'allarme di temperatura.
ATD	0... 120min	Ritardo nella segnalazione dell'allarme di temperatura.
ADO	0... 30min	Ritardo nella segnalazione dell'allarme di porta aperta.

AHM	NON; ALR; STP;	Modo di funzionamento in caso di allarme del condensatore NON : inibizione dell'allarme del condensatore. ALR : in caso di allarme il display lampeggia "HC" e viene attivato il buzzer. STP : oltre alle visualizzazioni d'allarme si ha l'immediata fermata del compressore e la sospensione degli sbrinamenti.
AHT	-50...120°	Temperatura d'allarme condensazione (riferita alla sonda T3).
ACC	0...52 settimane	Pulizia periodica condensatore. Quando il tempo di funzionamento del compressore, espresso in settimane, raggiunge il valore ACC, sul display lampeggia "CL". Con ACC=0 l'indicazione per la pulizia del condensatore è disabilitata.
ISM	NON; MAN; HDD; DI2	Modalità di passaggio al secondo set di parametri NON : inibizione uso secondo gruppo di parametri (il successivo parametro sarà SB). MAN : abilitazione tasto per commutare i due gruppi di parametri. HDD : passaggio automatico al secondo gruppo di parametri, al rilevamento di condizioni di utilizzo severe. DI2 : passaggio al secondo gruppo di parametri alla chiusura dell'ingresso ausiliario DI2.
IISL	-50... IISH	Limite minimo per la regolazione di IISP.
IISH	IISL... 120°	Limite massimo per la regolazione di IISP.
IISP	IISL... IISH	Setpoint in modalità 2.
IIHY	1... 10°	Differenziale OFF/ON in modalità 2.
IIFC	NON;TMP; TIM	Controllo ventole in modalità 2. Vedi FCM.
HDS	1...5	Sensibilità del regolatore per il passaggio automatico dal Gruppo 1 al Gruppo 2 (1=minimo, 5=massimo).
IIDF	0...99 ore	Valore del contaore per l'avvio di un ciclo di sbrinamento in modalità 2.
SB	NO/YES	Abilitazione tasto standby .
DS	NO/YES	Abilitazione sensore ingresso porta (chiuso con porta chiusa).
DI2	NON; HPS; IISM; RDS; DSY	Funzionamento dell'ingresso digitale DI2 NON : ingresso digitale 2 non attivo. HPS : all'apertura si genera un allarme di alta pressione nell'unità condensante. IISM : alla chiusura del contatto il regolatore utilizza come riferimento i parametri del gruppo 2. RDS : alla chiusura del contatto viene avviato uno sbrinamento (comando remoto). DSY : sincronizzazione degli sbrinamenti. Gli strumenti, collegati come in Fig.3, inizieranno e termineranno lo sbrinamento nello stesso istante. Il primo strumento in condizione di sbrinamento darà il comando di start. Lo strumento che terminerà per ultimo darà il segnale di stop.
LSM	NON; MAN; DOR	Modalità comando luci NON : uscita luci non gestita. MAN : uscita luci controllata tramite il tasto (se OAx=LGT). DOR : uscita luci attivata all'apertura della porta (se OAx=LGT).
OA1	NON; 0-1; LGT; 2CU; 2EU; AL0; AL1	Funzionamento dell'uscita ausiliaria AUX 1. NON : uscita disabilitata (sempre spenta). 0-1 : i contatti del relè seguono lo stato on/standby del regolatore. LGT : uscita abilitata al controllo delle luci. 2CU : uscita programmata per il comando di un compressore ausiliario. 2EU : uscita abilitata al controllo dello sbrinamento elettrico del secondo evaporatore. AL0 : apertura dei contatti al presentarsi di una condizione d'allarme. AL1 : chiusura dei contatti al presentarsi di una condizione d'allarme.
OA2	Vedi OA1	Funzionamento dell'uscita ausiliaria AUX 2. Vd. OA1.
2CD	0...120 sec	Ritardo accensione compressore ausiliario. Se OAU=2CU l'uscita ausiliaria si attiva 2CD secondi dopo che il compressore principale è entrato in funzione. Lo spegnimento rimane sempre simultaneo.
INP	SN4; ST1	Selezione del sensore di temperatura. Con INP=SN4 le sonde devono corrispondere ai modelli LAE SN4...; con INP=ST1 devono corrispondere ai modelli LAE ST1...
OS1	-12.5...12.5°C	Correzione misura sonda T1.
T2	NO/YES	Abilitazione della sonda T2 (evaporatore).
OS2	-12.5...12.5°C	Correzione misura sonda T2.
T3	NON; DSP; CND; 2EU	Utilizzo della sonda ausiliaria T3. NON : sonda T3 non presente. DSP : visualizzazione della temperatura T3 sul display. CND : misurazione della temperatura del condensatore. 2EU : misurazione della temperatura del secondo evaporatore.
OS3	-12.5...12.5°C	Correzione misura sonda 3.
TLD	1...30 min	Ritardo nella memorizzazione delle temperature minime (TLO) e massime (THI) raggiunte.
SIM	0...100	Rallentamento display.
ADR	1...255	Indirizzo di AD2-28 per la comunicazione con PC.

SCHEMI DI COLLEGAMENTO

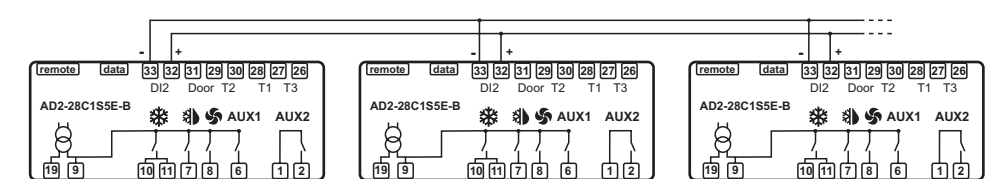
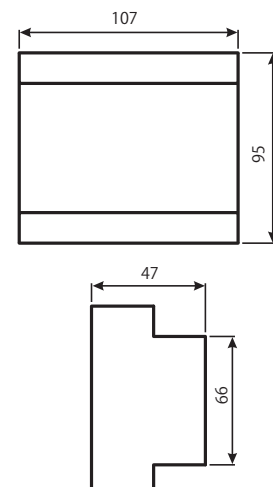
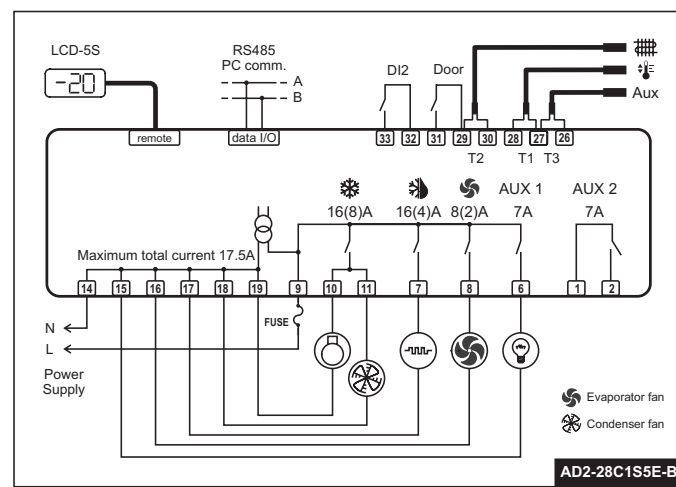


Fig.3 Connessione per sincronizzazione inizio e fine sbrinamenti



AD2-28



INSTRUCTIONS FOR USE

ISTRUZIONI D'USO



VIA PADOVA, 25
31046 ODERZO /TV /ITALY
TEL. +39 - 0422 815320
FAX +39 - 0422 814073
www.lae-electronic.com
E-mail: sales@lae-electronic.com

DATI TECNICI

Alimentazione
AD2-28...D 12Vac/dc ±10%, 3W
AD2-28...E 230Vac±10%, 50/60Hz, 3W
AD2-28...U 115Vac±10%, 50/60Hz, 3W

Carichi massimi uscite relè (240Vac)

	AD2-28...S/T...;	AD2-28...Q/R...;
Compressore	16A resistivo 8 FLA 48 RLA	12A resistivo 8 FLA 48 RLA
Ventole Evap.	8A resistivo 2 FLA 12 RLA	8A resistivo 2 FLA 12 RLA
Sbrinamento	16A resistivo	12A resistivo
Carichi ausiliar1	7A resistivo	7A resistivo
Carichi ausiliar2	7A resistivo	7A resistivo

Ingressi
NTC 10KΩ@25°C Codice LAE SN4...
PTC 1000Ω@25°C Codice LAE ST1...

Range di Misura
-50...120°C, -55...240°F
-50 / -9.9 ... 19.9 / 80°C (solo NTC10K)

Precisione di misura
<0.5°C nel range di misura

Condizioni operative
-10 ... +50°C; 15%...80% U.R.

CE - UL (Approvazioni e Norme di Riferimento)
EN60730-1; EN60730-2-9; EN55022 (Class B);
EN50082-1
SA32385, UL 60730-1A

AD2-28

INSTRUCTIONS FOR USE

ISTRUZIONI D'USO



0LAD2001-05