

## Refrigeration controllers / Multiplexed cabinet refrigeration controllers / XM series

Multifunction controller for normal and low temperature ventilated applications with auxiliary output

**XM470K****dixell**

K: OS open board (or in GS format)

© DIXELL Israel  
Mekor Chaim 35, POB 4360  
Jerusalem 91042 - Israel  
Tel: +972(0)2.679.94.79  
Fax: +972(0)2.679.94.78  
www.dixell.co.il

**Features**

Display	On keyboard 3 digits, d.p., -
Remote keyboard	8 push buttons (T840-V840)
Power supply	110, 230Vac

**Probe inputs**

Thermostat	NTC
Defrost	NTC
Display	NTC

**Digital inputs**

Start defrost, pressure switch AUX, generic alarm serious alarm mode light, ON/OFF, holiday	configurable
Energy saving	present

**Relay outputs**

Compressor	8A
Defrost	20A
Fans	8A
Light	16A
Alarm or auxiliary	8A

**Other Outputs**

Hot Key/Prog Tool Kit output	present
Remote display output	X-REP
Serial output	TTL, RS485 optional

**Other**

Buzzer	On keyboard optional
Real time clock	optional

**Measurement**

Measurement range	probe dependent
Accuracy	Better than 1% of full scale

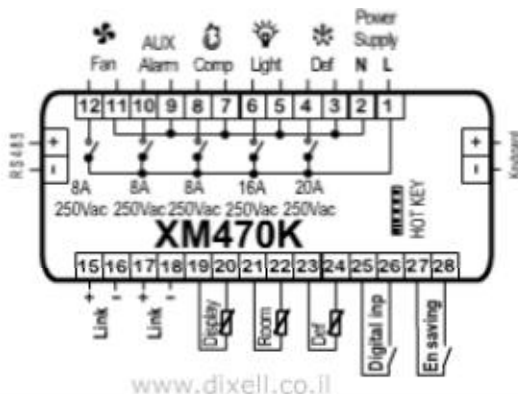
**Generals**

Data Storage	EEPROM memory
Operating temperature	0° ÷ 60°C 32° ÷ 140°F
Storage temperature	-30° ÷ 85°C 22° ÷ 185°F
Relative humidity	20÷85%

Resolution 0.1°C or 1°F

---

This product is also available with standard case.



21.07.2015

The continuous improvement of Dixell's products can cause some variations in the information included in this catalogue even without notice.