

☞ Thermometers and temperature controllers

User Manual



Contents	Page
Chapter 1: Introduction	3
Chapter 2: Description	4
2.1 Keypad functions	4
2.2 Display messages	5
2.3 Versions and part numbers	6
2.4 Maintenance	6
2.5 Precautions	6
Chapter 3: Initial Setup	7
3.1 Wizard (not available in thermometers)	7
3.2 Basic settings	8
Chapter 4: Operation	10
4.1 Compressor control (not available in thermometers)	10
4.2 Defrost control (not available in thermometers)	12
4.3 Fan control (only controllers with two or more relays)	15
4.4 Light control (only controllers with two or more relays)	15
4.5 Pump Down function (only four-relay controllers)	16
4.6 Alarms	17
Chapter 5: Wiring	18
5.1 Thermometers	18
5.2 1-relay controller	19
5.3 2-relay controller	20
5.4 3-relay controller	20
5.5 4-relay controller	21
Chapter 6: Connectivity	21
Chapter 7: Parameter setup	22
7.1 Programming Menu	22
7.1.1 Changing the set point (not available in thermometers)	22
7.1.2 Changing the operating parameters	23
7.1.3 Parameters	24
8. Technical Specifications	29

AKO Electromecánica thanks and congratulates you for purchasing our product, in whose development and manufacture the most innovative technology has been used, as well as strict production and quality control processes.

Our commitment to satisfy our customers and our continuous efforts to improve every day can be seen in the various quality certifications we have obtained.

This is a high performance, high technology product. The operation and final performance of the equipment depend on proper planning, installation, configuration and commissioning. Read this manual carefully before installation, and always follow its instructions. Only qualified personnel should install or perform technical assistance on this product.

This product is designed to be used in the applications described in the product manual. AKO Electromecánica gives no guarantee of its operation in any use not foreseen in the manual, and is not responsible for any damage resulting from improper use, configuration, installation or commissioning.

It is the responsibility of the installer and the customer to comply with and ensure others comply with all regulations applicable to installations incorporating our products. AKO Electromecánica is not responsible for any damage caused by non-compliance with regulations. Follow strictly the instructions given in this manual.

To maximise the service life of our equipment, these recommendations should be followed:

- Do not expose electronic equipment to dust, dirt, water, rain, humidity, high temperatures, chemicals or corrosive substances of any sort.
- Do not submit the equipment to blows or vibrations nor try to manipulate it differently from shown in the manual.
- Never exceed the specifications and limitations indicated in the manual.
- Always respect the specified ambient working and storage conditions.
- During and after installation, avoid leaving loose, broken, unprotected or damaged wiring, since they might constitute a risk for the equipment and its users.

AKO Electromecánica reserves the right to make any non-metrology modification to the documentation or the equipment without previous notice.

1.- Introduction

The Darwin controller range is particularly suitable for controlling refrigerating equipment, wall units, islands, cabinets, electrical panels, etc.

The wide range of models available ensures the best solution for each application.

The small **SLIM** models have been developed for applications where little space is available for the controller.

STANDARD models are specifically designed for applications requiring a considerable number of output relays, high load switching power and various functions with keypad shortcuts.

EXTENDED FRAME models incorporate two switches for additional functions. Ideal for controlling the turning on/off of the cabinet, lights, etc.

Information displayed on the high-brightness screen has been grouped according to functionality. A first large display shows the temperature and operating messages. The second display shows icons for the various outputs.

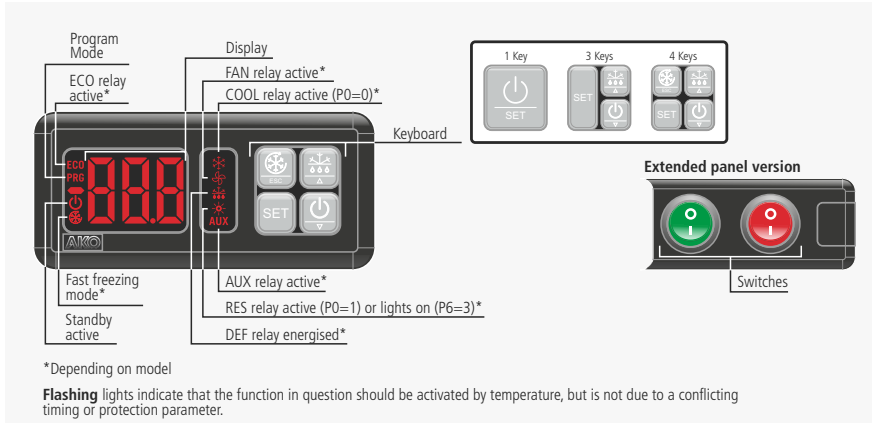
The built-in gasket on the front panel (Only AKO-D14xxx models) afford the unit a high degree of IP protection and new features have been added which allow more efficient refrigeration management, thus saving energy.

The menu settings are optimized for fast and intuitive programming and may be pre-programmed according to the application for faster start-up.

Available Models

	Application
AKO-D140xx	Thermometers. Ideal for applications where only the temperature needs to be shown.
AKO-D141xx	1-relay controllers designed to control positive services (above 3 °C). Defrost by compressor shutdown. Cold/Heat operation.
AKO-D142xx	2-relay controllers designed to control positive services (above 3 °C). Defrost by air or resistors.
AKO-D143xx	3-relay controllers designed to control positive services (above 3 °C). Defrost by resistors or cycle reversal.
AKO-D144xx	4-relay controllers designed to control positive or negative services. Defrost by resistors or cycle reversal. Configurable auxiliary relay.
AKO-D101xx	1-relay extended frame controllers and two auxiliary switches, designed to control positive services (above 3 °C). Defrost by compressor shutdown. Cold/Heat operation.
AKO-D102xx	2-relay extended frame controllers and two auxiliary switches, designed to control positive services (above 3 °C). Defrost by air or resistors.
AKO-D103xx	3-relay extended frame controllers and two auxiliary switches, designed to control positive services (above 3 °C). Defrost by resistors or cycle reversal.


2.- Description



2.1.- Keypad functions

Thermometers



Press for 5 seconds to activate Standby mode; press for 2 seconds to return the equipment to normal mode. In Standby mode, the equipment performs no actions and only the  indicator is displayed on the screen . Press for 10 seconds to go to the programming menu.

Press for 5 seconds in the programming menu to access the level displayed on the screen or, during the setting of a parameter, accepts the new value.

In the programming menu, a short press allows you to scroll through the various levels or, during the setting of a parameter, to increment the value. When upper limit is reached, it will start again from the lower limit.

Controllers



Only models with 4 keys
Press for 5 seconds to start/stop Fast Freezing mode (rapid cooling).

In the programming menu, exit without saving parameter, return to previous level or exit programming.




Press for 5 seconds, allows changing the set point (SP). Pressing for 10 seconds goes to the programming menu. In the programming menu, go to the level displayed or accept the new value while setting a parameter.



Press for 5 seconds to start/stop Fast Freezing mode. In the programming menu, allows you to scroll through the various levels or, during the setting of a parameter, to change the value.



Press for 5 seconds, activates standby mode. Pressing for two seconds, the device returns to normal. In Standby mode, the equipment performs no actions and only the  indicator is displayed on the screen.. In programming menu, allows you to scroll through the various levels or, during the setting of a parameter, to change the value.



IMPORTANT: If you have configured the access code function as a key lock (P2=2) when you initiate any function (defrost, fast freezing, access to programming, etc.) you will be prompted to enter the access code programmed into L5. If the code entered is not correct, the unit will display the temperature without opening the requested function.

2.2.- Display messages

	<p>Flashing 0: Access code (Password) request You must enter the access code configured on L5 to execute the requested function (p. 9 and 22). See also parameter P2 (p. 27)</p>
	<p>Probe 1, 2 or 3 faulty (open circuit, crossover or temperature outside the probe limits; NTC: -50 To 99 °C; PTC: -50 To 150 °C).</p>
	<p>Indicates a defrost is underway. After defrosting, the message will continue to be displayed during the time specified in parameter d3 (see Chapter 4.2).</p>
	<p>Alternating with temperature: Maximum temperature in control probe alarm. Temperature set in A1 has been reached (p. 17 and 18) (Activates alarm relay)</p>
	<p>Alternating with temperature: Minimum temperature in control probe alarm. Temperature set in A2 has been reached (p. 17 and 18) (Activates alarm relay)</p>
	<p>Alternating with temperature: External alarm activated (by digital input) (p. 17 and 18) (Activates alarm relay)</p>
	<p>Alternating with temperature: Severe external alarm activated (by digital input) (p. 17) (Activates alarm relay)</p>
	<p>Alternating with temperature: Defrost alarm time-out. Displayed when a defrost ends after the maximum time elapsed as defined in parameter d1. (p. 17) (Does not activate alarm relay)</p>
	<p>Alternating with temperature: Door open alarm. Shown if the door remains open longer than specified in parameter A12 (p. 17 and 18) (Does not activate alarm relay)</p>
	<p>Alternating with temperature: Pump-down time-out alarm (p. 17) (Does not activate alarm relay)</p>
	<p>Alternating with temperature: Clock battery discharged or clock deprogrammed (Does not activate alarm relay)</p>

2.3- Versions and part numbers

MODELS	POWER SUPPLY	PROBES	DIGITAL INPUTS	FORMAT	NO. OF KEYS	RELAYS	COMMUNICATION	RTC	ECO MODE
AKO-D14012	12/24V	1 (NTC/PTC)	-	SLIM	1	0	NO	NO	NO
AKO-D14023	230V	1 (NTC/PTC)	-	SLIM	1	0	NO	NO	NO
AKO-D14023-C	90-260V 50/60Hz	1 (NTC/PTC)	-	STANDARD	1	0	YES	NO	NO
AKO-D14024	230V	1 (NTC/PTC)	-	SLIM	1	0	NO	NO	NO
AKO-D14112	12/24V	Up to 2 (NTC/PTC)	Up to 2	STANDARD	4	1	NO	NO	YES
AKO-D14120	120V	1 (NTC/PTC)	-	SLIM	3	1	NO	NO	NO
AKO-D14123	230V	1 (NTC/PTC)	-	SLIM	3	1	NO	NO	NO
AKO-D14123-2	230V	Up to 2 (NTC/PTC)	Up to 2	STANDARD	4	1	NO	NO	YES
AKO-D14123-2-RC	90-260V 50/60Hz	Up to 2 (NTC/PTC)	Up to 2	STANDARD	4	1	YES	YES	YES
AKO-D14124	230V	1 (NTC/PTC)	-	SLIM	3	1	NO	NO	NO
AKO-D14125	230V	1 (NTC/PTC)	-	SLIM	3	1	NO	NO	NO
AKO-D14212	12V	Up to 2 (NTC)	Up to 2	STANDARD	4	2	NO	NO	YES
AKO-D14220	120V	Up to 2 (NTC)	Up to 2	STANDARD	4	2	NO	NO	YES
AKO-D14223	230V	Up to 2 (NTC)	Up to 2	STANDARD	4	2	NO	NO	YES
AKO-D14312	12V	Up to 2 (NTC)	Up to 2	STANDARD	4	3	NO	NO	YES
AKO-D14320	120V	Up to 2 (NTC)	Up to 2	STANDARD	4	3	NO	NO	YES
AKO-D14323	230V	Up to 2 (NTC)	Up to 2	STANDARD	4	3	NO	NO	YES
AKO-D14323-C	90-260V 50/60Hz	Up to 2 (NTC)	Up to 2	STANDARD	4	3	YES	NO	YES
AKO-D14412-RC	12V	Up to 3 (NTC)	Up to 3	STANDARD	4	4	YES	YES	YES
AKO-D14423-RC	90-260V 50/60Hz	Up to 3 (NTC)	Up to 3	STANDARD	4	4	YES	YES	YES
AKO-D10123	230V	1 (NTC/PTC)	-	EXTENDED PANEL	3	1	NO	NO	NO
AKO-D10223	230V	Up to 2 (NTC)	Up to 2	EXTENDED PANEL	4	2	NO	NO	YES
AKO-D10323	230V	Up to 2 (NTC)	Up to 2	EXTENDED PANEL	4	3	NO	NO	YES

2.4.- Maintenance

Clean the surface of the alarm using a soft cloth, soap and water. Do not use abrasive detergents, petrol, alcohol or solvents.

2.5.- Precautions

Using the equipment without following the manufacturer's instructions may affect the device's safety requirements. To ensure that the device operates correctly, only probes supplied by AKO should be used.

The unit must be installed in a location protected from vibrations, water and corrosive gases, where the ambient temperature does not exceed that shown in the technical data.

To get a correct reading, the probe must be situated in a location without any external heat influences except for the temperature which is being measured or controlled.

The probe and its cable should **NEVER** be installed in the same conduit as power, control or supply cables.

The power supply circuit must be provided with a main switch rated at least 2 A, 230 V, located close to the equipment. The cables will enter through the back and should be type H05VV-F or H05V-K. The gauge will depend on local regulations, but should in no case be less than 1 mm².

The relay contact connecting cables should be 1 to 2.5 mm² and the common cable should always be 2.5 mm². Halogen-free cables are recommended.

Between -40 °C and +20 °C, if the NTC probe is extended up to 1,000 m with minimum 0.5 mm² wire, the maximum deviation will be 0.25 °C (Wire for probe extension ref. **AKO-15586**).

3.- Initial Setup

3.1.- Wizard (not available in thermometers)

The Darwin range controllers have a setup wizard to configure the main parameters for the type of application chosen (see table). The other parameters will be configured according to the "Def" column in the parameter table (see section 7.1.3).



For the meaning of each parameter, see section 7.1.3.

This wizard starts the first time that the unit is powered up or at any time through the programming menu, through P3 (see Section 7).

DEFAULT SETTINGS BY APPLICATION (P3)								
	1	2	3	4	5	6	7	8
	Multi-purpose	Frozen	Fruits and vegetables	Fresh fish	Soft Drinks	Bottle Racks	AC	Heat/ Incubators
SP	2°C (36°F)	-18°C (-0,4°F)	10°C (50°F)	0°C (32°F)	3°C (37,4°F)	12°C (53,6°F)	21°C (69,8°F)	37°C (38,6°F)
d0	4	4	4	4	24	24	96	-
d1	20	20	20	20	20	20	0	-
FO*	8°C (46°F)	0°C (32°F)	30°C (86°F)	8°C (46°F)	8°C (46°F)	30°C (86°F)	99°C (210°F)	-
F3*	1	0	1	1	1	1	1	-
PO	0	0	0	0	0	0	0	1



WARNING: The default parameters by type of application have been defined for the most common applications. Check that these parameters are suitable for your installation.

*Parameters not available in 3-key controllers.

3.2.- Basic settings

Type of operation (only 1-relay controllers)

Specifies how the controller will control temperature (see page 10)

P0=0 Direct mode, refrigeration applications

P0=1 Reverse mode, heating applications

Type of inputs (only 4-key controllers)

Some units have 3 programmable inputs to function as probes or as digital inputs as needed. This configuration parameter is defined by P4, with the following options:

P4=1: 1 probe input (S1: control probe) + 2 digital inputs (D1 and D2).

P4=2: 2 probe inputs (S1: Control probe and S2: Defrost probe) + 1 digital input (D1).

P4=3: 3 probe inputs (S1: Control probe, S2: Defrost probe and S3: second defrost probe or product temperature)
(Only available on 4-relay units).

Probe types (only available in thermometers and 1-relay controllers)

Parameter P9 permits selecting the type of probes to be connected between NTC (P9=0) and PTC (P9=1).

Probe function

S1: Temperature control probe, controls temperature of the chamber or cabinet (SP) acting on the COOL/RES relay.

S2*: Evaporator probe, controls the defrost end temperature (d4) and shuts down the fans (F0).

S3:** Second evaporator or product temperature probe, controls defrost end temperature (d4) of a second evaporator. If second defrosting is not configured (P6≠1), it will function as product temperature probe.

* (Only available in 4-key controllers and if P4=2 or 3)

** (Only available in 4-relay controllers and if P4=3)

Probe to display:

Parameter P8 defines which probe is displayed on the controller screen (**P8=0** All probes sequentially, **P8=1** Probe 1, **P8=2** Probe 2 and **P8=3** Probe 3).

In the sequential mode the screen will display the name of each probe followed by the temperature of each.

(S1 - 8,3°C - S2 - 6,2°C - S3 - 9,4°C)

Calibrating probe 1

Allows correcting a possible error in probe reading. This can be very useful when you cannot place it in the ideal place.

Display mode

Parameter P7 sets the display mode for the temperature displayed on the screen (**P7=0** No decimals in °C, **P7=1** With a decimal in °C, **P7=2** No decimal degrees in °F, **P7=3**, with a decimal in °F).

The changes in this parameter do not affect the operation of the system because the controller automatically calculates equivalent values for the set point, locks, alarms, calibration, etc.

Upper/lower blocking of the set point

Sets the upper (C2) and lower (C3) thresholds for the set point value (SP). These limits are also valid for automatic variations of the set point (C10 and C12).

Digital input function (only 4-key controllers)

The digital input function is defined by parameters P10 (D1) and P11 (D2), with the following options:

P10/P11=0: Off (no function)

P10/P11=1: Door contact, controls the activation/deactivation of ECO mode. (p. 11)

P10/P11=2: External alarm, controls activation/deactivation of the external alarm (p. 17).

P10/P11=3: Severe external alarm, controls activation/deactivation of the severe external alarm (p. 17).

P10/P11=4: Slave defrost, activates defrost synchronisation with master unit (p.13).

P10/P11=5: ECO mode activated, controls activation/deactivation of the ECO mode with an external button (p. 11).

P10/P11=6: Activation of the fast freezing mode, controls the activation/deactivation of this mode with an external button (p. 10).

P10/P11=7: Low pressure switch controls the activation/deactivation of the compressor depending on the state of the low pressure switch when the pump-down function is on (p. 16) (only available in P10 and 4-relay units)

Digital input polarity (only 4-key controllers)

Parameters P12 (D1) and P13 (D2) define the polarity of the digital inputs, with the following options:

P12/P13=0: The digital input is energised on **closed** contact.

P12/P13=1: The digital input is energised on **open** contact.

Set time (Only controllers with RTC)

The r1 and r2 parameters from the real-time clock (RTC); settings adjust the local time of the controller. The first (r1) defines the hours and the second (r2) the minutes.

Password

Parameter L5 sets a 2-digit access code for accessing certain controller functions. Its functionality is set using the P2 parameter and a choice of several possibilities:

P2=0: Inactive access code; password will never be requested.

P2=1: Blocks access to parameters; will request access code (L5) when trying to access the program menu.

P2=2: Blocks keypad functions; will request the access code (L5) when trying to activate any of the keypad functions (standby, defrost, fast freezing, program menu, set point change menu, etc.)

Power supply delays

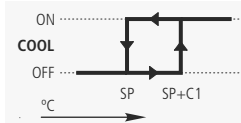
Parameter P1 delays all controller functions when energised, and displays a minute count. It is normally used to stagger the start-up of various refrigeration services in a single system during the process of start-up or reset after a period without power. It can also help to avoid repeated system start-ups when tests are carried out on the facility's electrical system.

i IMPORTANT: During the time set in P1, the controller will only show the temperature. It will not control the system in any way. If additional delays (alarm, protection of the compressor, etc.) have been programmed, they start to run after the period set by P1.

4.- Operation

4.1.- Compressor control (not available in thermometers)

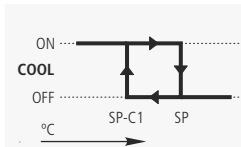
NORMAL OPERATION (COOL)



When the temperature in probe 1 reaches the set point value (SP) plus the probe differential (C1), the COOL relay is activated, starting the compressor and leading to a drop in temperature. Once you the set point value (SP) is reached, the COOL relay is turned off, stopping the compressor.



REVERSE OPERATION (HEAT) (only 1-relay controllers)



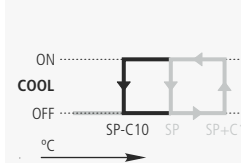
When the temperature in probe 1 reaches the set point value (SP) minus the probe differential (C1), the COOL relay is activated, starting the heating resistors and leading to a rise in temperature. Once the set point value (SP) is reached, the COOL relay is turned off, cutting power to the resistors.



FAST FREEZING MODE (only 4-key controllers)

Commonly used for fast freezing newly stored product.

Activated by pressing the **ESC** key for 5 seconds. The display shows the ❄️ icon while this mode is active.



Upon enabling this mode, the compressor starts up until the temperature of probe 1 reaches the set point value, minus the change indicated in parameter C10.

The unit will then return to normal operation.

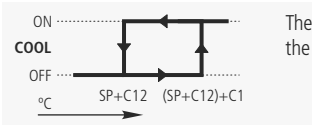
If this point is not reached, the unit returns to normal operation after the time set in C9, or by pressing the **ESC** key again for 5 seconds.



Otherwise, users may turn this function on and off at will by pressing an external button (1-touch on/off), for which one of the digital inputs must be set as "fast freezing activation" (P10 or P11=6).

ECO MODE (only 4-key controllers)

This mode saves energy during periods in which the refrigeration cabinet is not used much. While this mode is active, the screen will display the **ECO** icon. It is activated after a certain period (set in parameter C11) of cabinet door inactivity, for which one of the digital inputs must be set as "door contact" (P10 or P11=1).



The operation is the same as normal (cool), but increasing the set point by the number of degrees set in parameter C12.

Otherwise, users may turn this function on and off at will by pressing an external button (1-touch on/off), for which one of the digital inputs must be set as "ECO mode activation" (P10 or P11=5).

If parameter C11 is set to 0, the ECO mode will never be activated.

COMPRESSOR PROTECTION DELAY

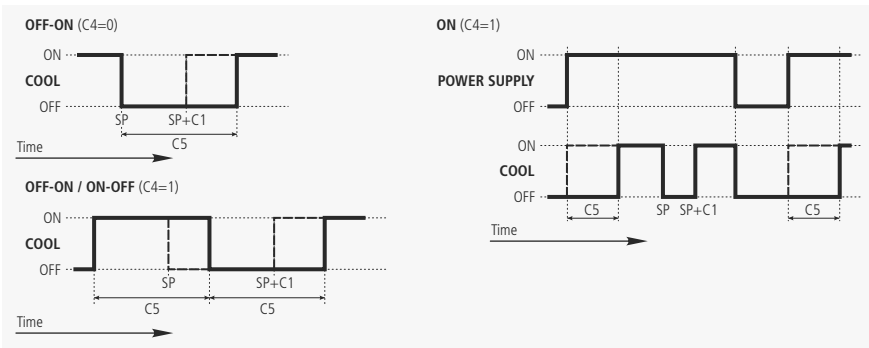
There are three types of delay, selectable by parameter C4, to protect the compressor (COOL relay). These delays prevent continuous compressor starts and stops due to sudden changes in temperature.

OFF-ON (C4=0): Minimum compressor OFF time before each start-up.

ON (C4=1): Minimum compressor OFF time after power-up or reset.

OFF-ON / ON-OFF (C4=2): Minimum time during which the compressor will remain ON and OFF in every cycle.

The delay time is defined by parameter C5.



OPERATION IN CASE OF PROBE 1 FAILURE

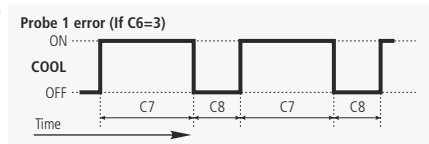
In the event of probe 1 failure (fault, disconnection, etc.) compressor performance will depend on C6 settings. Users may choose between 3 options:

C6=0: The compressor will be stopped until probe 1 is working again.

C6=1: The compressor will be operational until probe 1 is working again.

C6=2: The compressor will operate according to the average performance of the last 24 hours, taking into account the number of starts and stops and the average time in each state (stop-start).

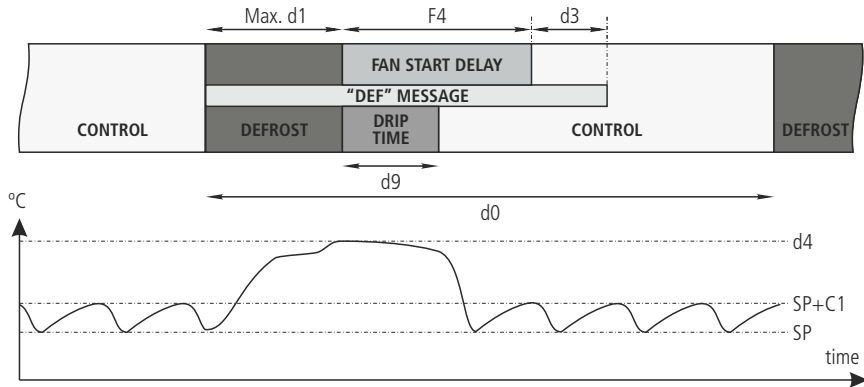
C6=3: The compressor will run as scheduled in C7 (ON) and C8 (OFF).



4.2.- Defrost control (not available in thermometers)


On units with 1 relay, defrost can only be set by compressor shutdown.

On units with 2 or 3 relays, the auxiliary relay must be set as "defrost" (P6=1), except for defrost by compressor shutdown.



Defrost start-up

Defrost is initiated if:

- Time scheduled in parameter d0 has passed since the beginning of last defrost.
- It is time for one of its scheduled start-ups (parameters d10 to d15). This feature requires that d0 is set to 0 (only units with RTC).
- The  key is pressed for 5 seconds

Defrost type

Selected by parameter d7 to define the controller performance during the defrost process.


By compressor shutdown (d7=3)	The compressor stops and the defrost takes place statically. Fans will stop running regardless of parameter F3.
By air (d7=2) (models with 2 or more relays)	Fans start running and the compressor starts up. Defrost takes place by air being forced through the evaporator. Fans will be on regardless of parameter F3.
By resistors (d7=0) (models with 2 or more relays)	The defrost resistors start up and the compressor stops; defrost is the result of heat from the resistors. Fans will be running or not depending on parameter F3.
Reverse cycle (Heatpump) (d7=1) (models with 2 or more relays)	A 4-way valve is activated which reverses the cold-generating circuit and the compressor starts up, forcing the defrost. Fans will be running or not depending on parameter F3.
By hot gas (d7=1) (models with 2 or more relays)	A valve is actuated which discharges gas from the compressor to the evaporator inlet. A check valve prevents hot gas from returning to the liquid line. Fans will be running or not depending on parameter F3.

Drip time

Parameter d9 sets drip time and the time added at the end of defrost cycle to allow for drainage of the remaining water in the evaporator. During this time the compressor and fans will not be running (unless defrost is by air).

Defrost termination

The defrost will terminate if:

- The temperature programmed in parameter 24 has been reached in probe 2 (requires an additional input for the second probe and activating it via parameter P4).
- Time set in parameter d1 has passed (maximum duration of defrost).
- The  key is pressed for 5 seconds.


Message displayed during defrost

Set by parameter d2, with the choice of showing the actual temperature detected by probe 1 (d2=0), displaying the temperature detected by probe 1 at the start of defrost (d2=1) or displaying the DEF message (d2=2). The d3 parameter defines the time during which the message is displayed, once the drip time (D9) and the fan stop time (F4) is over.

Other parameters

Parameter d5 allows users to specify if the unit will (d5=1) or will not (d5=0) defrost when powered up (initial start-up or after a power failure). In case of choosing option YES (d5=1), the defrost will start after the delay time specified in d6.

Using parameter d8, users define the computation of time in d0, choosing between total time elapsed (d8=0) or the total compressor running time (d8=1).

 **NOTE:** If parameter d1 is set to 0, no defrost will be performed.
Defrosting is not performed if the controller is set to heat mode (P0=1)

Second defrost (only 4-relay controllers)

It works the same way as defrost, but acts on the auxiliary relay (only if P6=1), controlled by probe 3 and serves to control defrost of a second evaporator.

Defrost Master - Slave

This feature allows users to synchronize defrost of several units. This is especially suitable for cabinets with multiple independently controlled evaporators, thus avoiding having an evaporator defrosting (generating heat) while the next is generating cold.

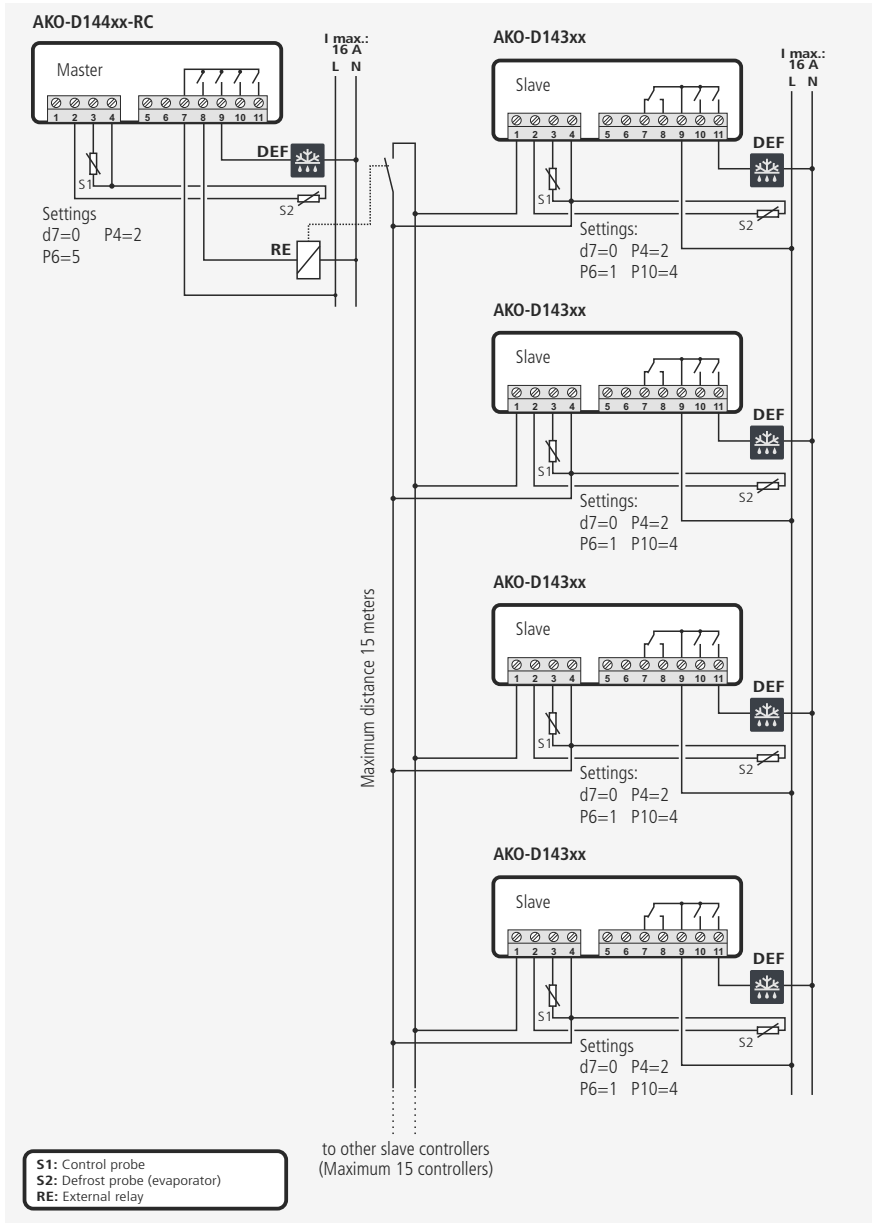
When the main controller designated as Master (P6=5) initiates a defrost, it forces the rest, which must be configured as slaves (P10 or P11=4), to initiate their defrost cycles.

When the main controller ends the defrost according to the time set by d1 (the temperature in probe 2 is not taken into account) it will force slaves to end defrosting and start synchronised drip time.

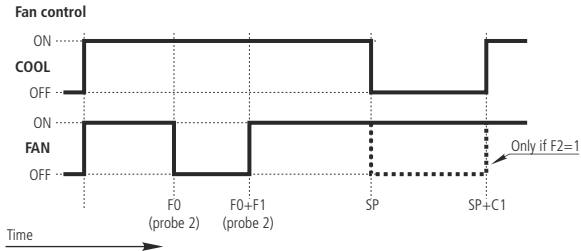
The master defrost function can only be set on 4-relay units and requires the use of an external relay (see diagram on next page).

Up to 15 units may be connected to a Master Controller and the maximum distance should not exceed 15 metres.

Example of Master - Slave defrost function



4.3.- Fan control (only controllers with two or more relays)



On 2-relay units, the auxiliary relays must be configured as "Fans" (P6=0).

Fans are controlled with probe 2 (evaporator) and parameters F0 (shutdown temperature) and F1 (Probe differential). Even if probe 2 is not connected (P4=1) or an error is detected in the probe (E2), the fans will always run regardless of parameters F0 and F1, but taking into account parameters F2 to F5.

Parameter F2 defines the status of the fans during compressor stops and parameter F5 defines the status of the fans when the door is opened, which requires setting up one of the digital inputs as door contact (P10 or P11=1).

Parameter F3 defines the status of fans during defrost. This feature is activated only for defrost by resistors, cycle reversal or hot gas. If defrost is by air, the fans will always be active and if it is by compressor shutdown they will always be inactive, regardless of parameter F3.

Parameter F4 defines the fan start-up delay after defrost (see section 4.2)

4.4.- Light control (only controllers with two or more relays)

On units with 2 or more relays, the auxiliary relay can be configured as "Light" (P6=3).

In these cases, the AUX relay will remain ON (lights on) while the unit is running. If the unit switches to standby mode, the relay will switch OFF (lights out).

This feature turns off the lights in the cabinet when not in use (standby mode).



4.5.- Pump down function (only four-relay controllers)

This function prevents compressor problems caused by movement of the refrigerant, using a stop/start technique of the unit controlled by liquid solenoid, the low pressure switch and the compressor.

For this feature to be active, the auxiliary relay must be set as "Pump down" (P6=4), which automatically configures digital input 1 as "low pressure switch" (P10=7)

SHUTOFF

When temperature probe 1 reaches the set point value (SP), the AUX relay is deactivated (OFF) by closing the liquid solenoid.

Since the compressor is still running (COOL relay ON) the evaporator pressure drops suddenly. When it reaches a specific point, the low pressure switch is activated, changing the state of digital input 1, and the controller stops the compressor (COOL Relay OFF).

This manoeuvre isolates the refrigerant from the compressor crankcase, preventing serious damage on start-up.

In case of low pressure switch failure, the controller stops the compressor after the safety time set at P15, showing the message "Art", but it will continue to function normally.

STARTUP

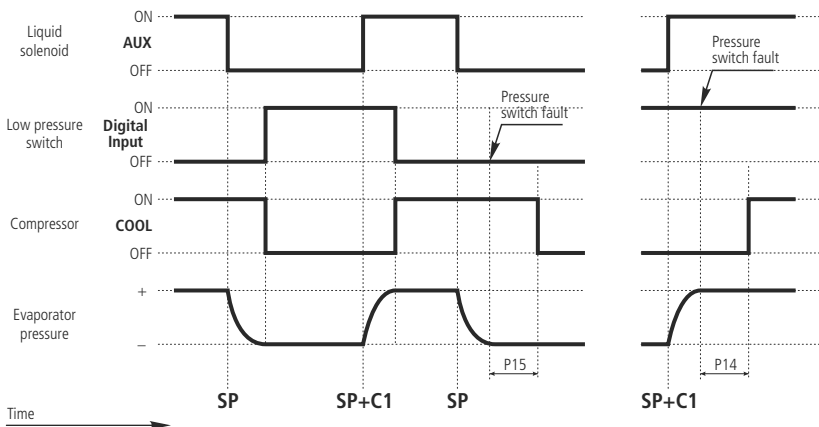
When temperature probe 1 reaches the set point value plus the differential (SP+C1), the AUX relay is activated (ON), opening the liquid solenoid. This causes the pressure in the evaporator to increase, disabling the low pressure switch. The controller detects this change and starts the compressor (COOL relay ON).

Balancing the high and low pressure settings before start-up makes it much smoother and extends compressor life.

If after a time (as determined by P14) after opening the liquid solenoid (AUX relay ON), the low pressure switch is not turned off, the controller will again close the solenoid (AUX relay OFF) and will repeat the manoeuvre after 2 minutes. The controller will display "Art".

STAND-BY

If the pump-down function is active, some time may elapse from the time the stand-by function starts until the controller stops. This is because certain control phases of the system cannot be stopped.



4.6.- Alarms

The unit alerts users via a message on the screen, by activating a relay* or both, when the programmed parameter criteria are met.

Max/Min Temperature Alarm

Shows the **AH** or **AL** message when the temperature in probe 1 reaches the value set in the A1 (maximum temperature) and A2 (low temperature) parameters.

This value can be:

Absolute (A0=1): A1/A2 should indicate the temperature at which the alarm should be activated.

Relative to SP (A0=0): A1/A2 should indicate the number of degrees above or below the set point at which the alarm is activated. This option allows users to adjust the set point without having to modify the high and low alarm settings.



Parameter A10 sets the differentials for both parameters (hysteresis).

This alarm will also activate the auxiliary relay (if P6=2).



Example

In a controller we configure the following parameters: **SP=2, A1=10, A10=2**

- If A0=0 (relative to SP), the maximum temperature alarm goes off when probe 1 reaches 12 degrees and is disabled when it reaches 10 degrees.
- If A0=1 (absolute), the maximum temperature alarm goes off when probe 1 reaches 10 degrees and is disabled when it reaches 8 degrees.

External alarm/severe external alarm (only 4-key controllers)

Displays the message **AE** (external alarm) or **AES** (severe external alarm), when the digital input configured as external alarm or severe external alarm is activated.

At least one of the digital inputs must be configured as external alarm (P10 or P11=2) or severe external alarm (P10 or P11=3).

This alarm will also activate the auxiliary relay (if P6=2).



Defrost alarm completed by time.

Shows the **Adt** alarm message when a defrost terminates by time-out, if parameter **A8=1**.

This alarm is only displayed on the screen; it will never activate the alarm relay.

Open door alarm (only 4-key controllers)

Displays **PAb** message when the digital input configured as door contact (P10 or P11=1), is active longer than the time set by parameter A12.

This alarm is only displayed on the screen; it will never activate the alarm relay.

Pump down alarm timed-out (only 4-relay controllers)

The **Art** message is displayed when the pump down function times out, either in the start-up or the shutoff phase (see section 4.5).

This alarm is only displayed on the screen; it will never activate the alarm relay.



*Only available in controllers with 2 or more relays; the AUX relay must be configured as an alarm (P6=2).

Alarm delay

These delays prevent the display of specific alarms while allowing the unit to recover normal operation after certain events.

- Start-up delays (A3): Delays activation of temperature alarms on power-up (start-up or after a power failure). This allows avoiding continuous alarms upon start-up
- Delay after defrost (A4): Delays activation of temperature alarms post-defrost.
- Delay of max/min temperature alarm (A5): Delays activation of maximum (A1) and minimum (A2) temperature alarms from the moment temperature probe 1 reaches the set value.
- Delay of external alarm activation (A6): Delays the activation of the external alarm from the moment the digital input becomes active.
- Delay of external alarm deactivation (A7): Delays the deactivation of the external alarm from the moment the digital input becomes active.
- Door opening alarm relay (A12): Delays activation of the open door opening detection alarm.

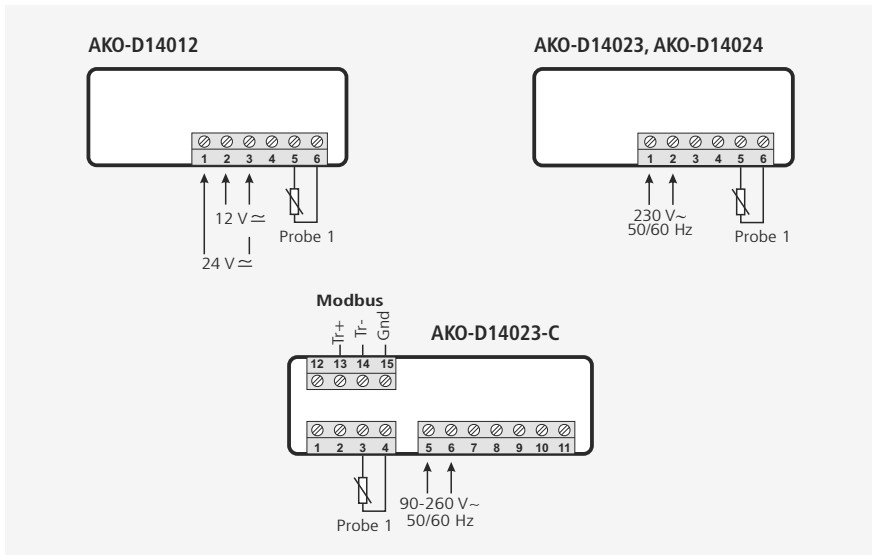
Alarm relay configuration (only controllers with 2 or more relays)

If the auxiliary relay is configured as an alarm relay (P6=2), parameter A9 allows defining the status of the relay when an alarm is triggered.

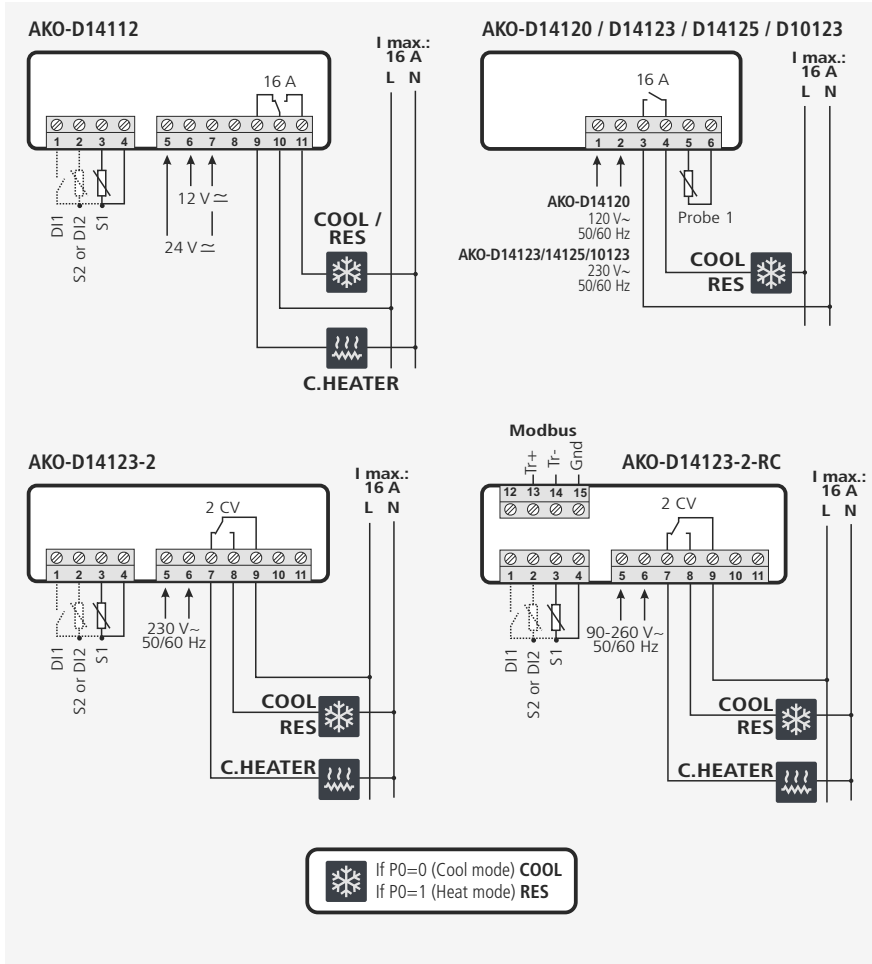
A9=0 relay active (ON) in case of alarm (no alarm OFF); A9=1 Inactive relay (OFF) in case of alarm (no alarm ON)

5.- Wiring

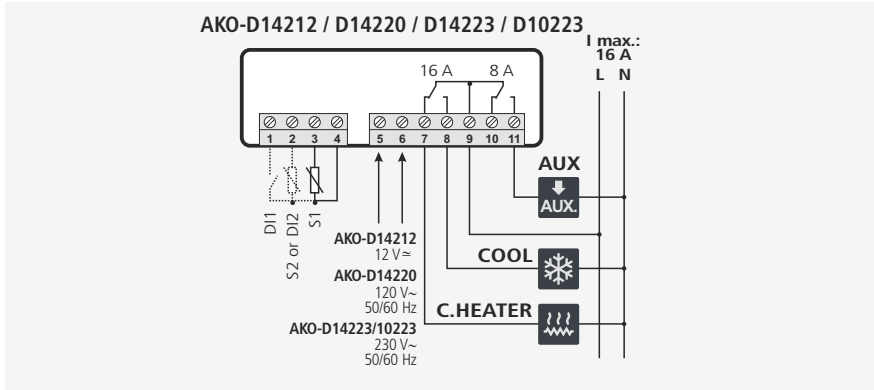
5.1.- Thermometers



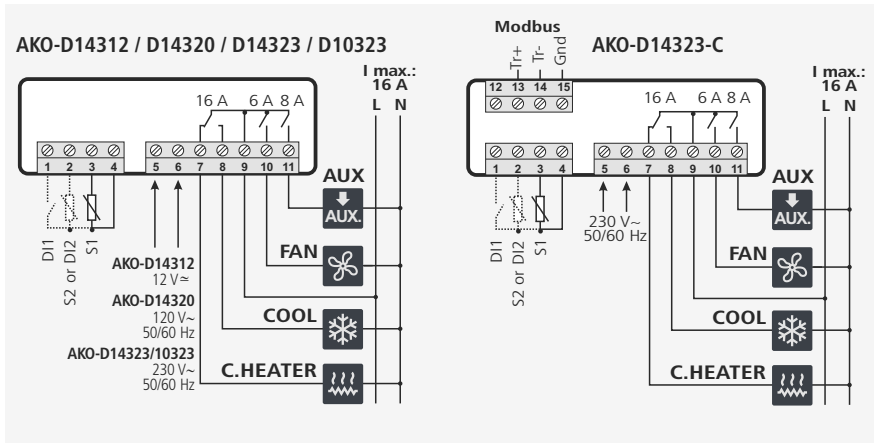
5.2.- 1-relay controller



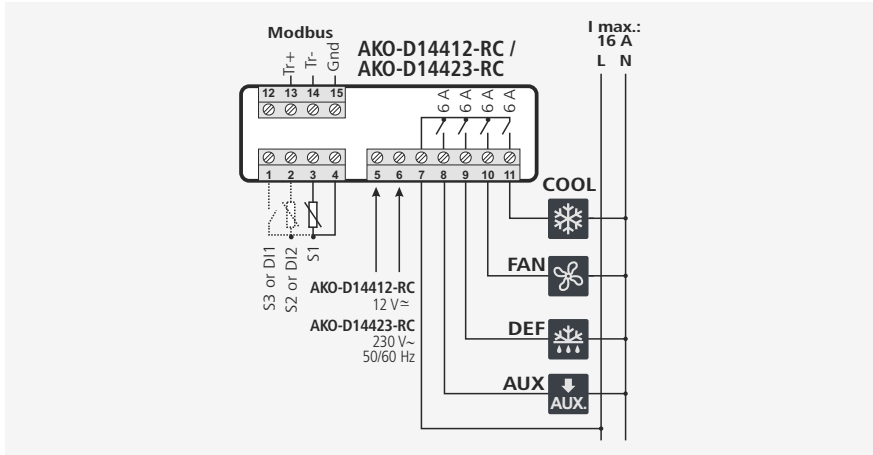
5.3.- 2-relay controller



5.4.- 3-relay controller

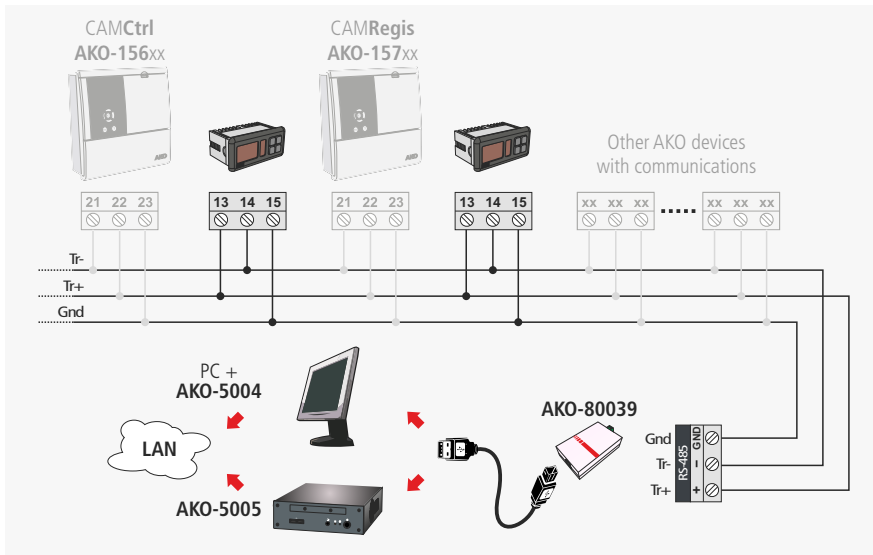


5.5.- 4-relay controller



6.- Connectivity

Models with communication capabilities (see table on page 6) have an RS485 (MODBUS) data connection port, which allows users to manage them remotely via a PC with the AKO-5004 programme or an AKO-5005 server. A different address must be assigned to each unit on the same network. This address is defined by parameter P5.



7.- Parameter setup

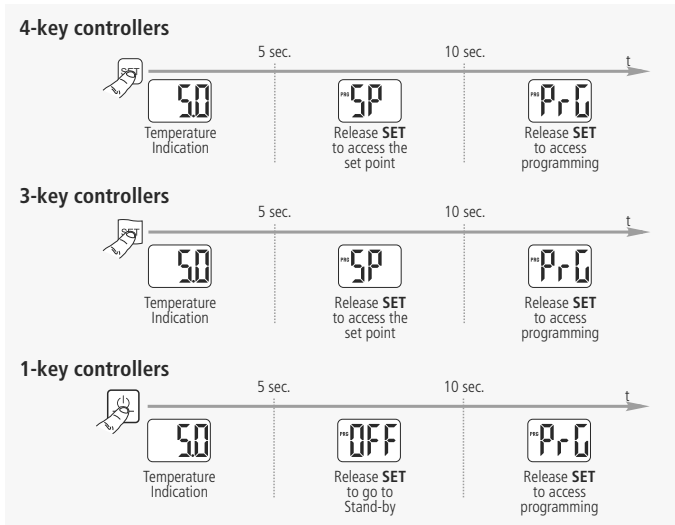
Through the programming menu users can set different parameters to adjust the operation of the controller to the needs of their installation.

7.1.- Programming Menu

To change the set point, press the **SET** button for 5 seconds, or until the "SP" is displayed on the screen (not available in thermometers).

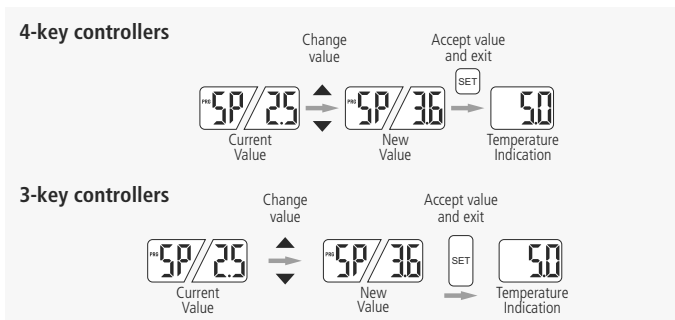
To access the programming menu, press the **SET** button for 10 seconds, or until the "PRG" appears on the screen.

i **IMPORTANT:** If the access code function has been set as keypad lock (P2=2) or as parameter access block (P2=1), when trying to access either of the two functions, users will be prompted to enter the access code programmed in L5. If the code entered is not correct, the unit will revert to displaying the temperature.



7.1.1.- Changing the set point (not available in thermometers)

Press the **SET** button for 5 seconds or until "SP" appears on the screen.

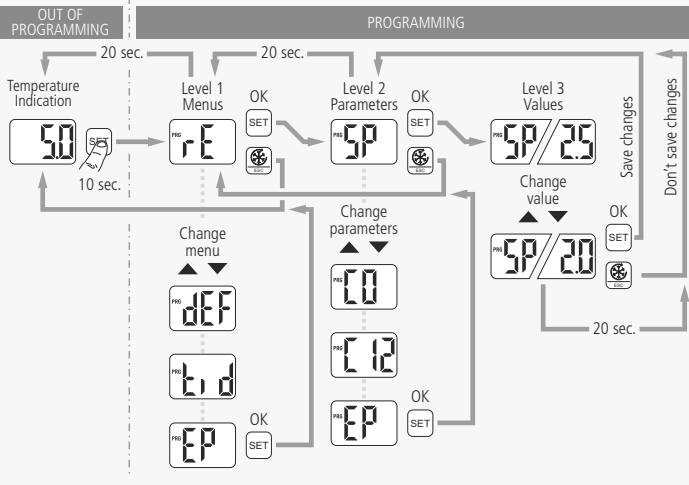


7.1.2.- Changing the operating parameters

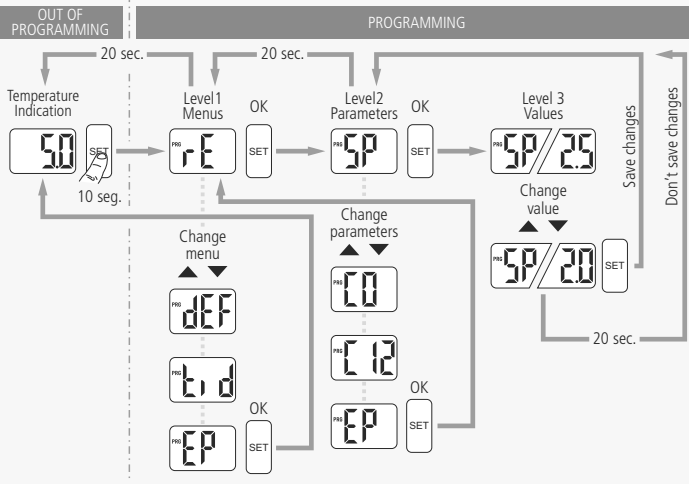
Press the **SET** button for 10 seconds or until "PrG" appears on the screen.

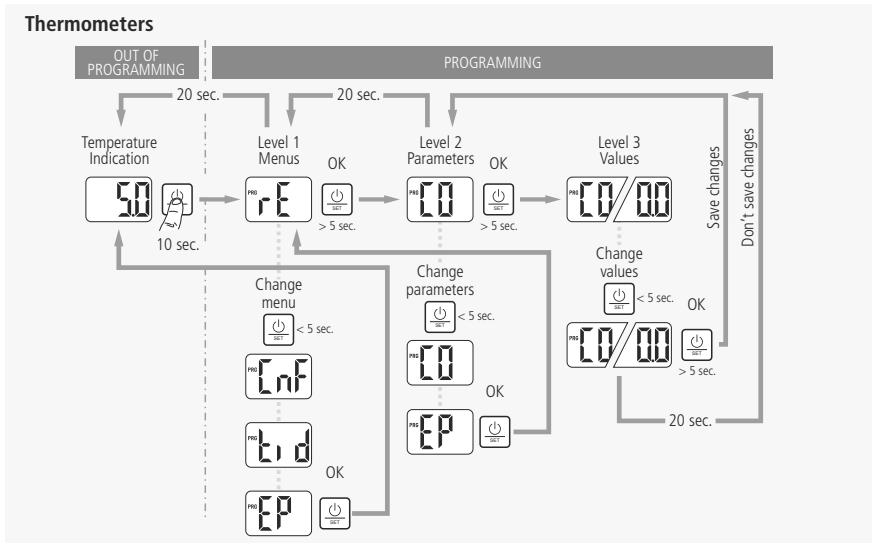
After 20 seconds with no key being pressed, the equipment will return to the previous level. If you are on level 3, the changes will not be saved.

4-key controllers



3-key controllers





7.1.3.- Parameters

The unit's operation parameters are organized into groups or families according to their function.

The **def.** column shows factory-set default parameters. Those marked with an * are variable depending on the application chosen in the wizard (see section 3.1). Temperature values are expressed in °C. (Equivalent temperature in °F)

Level 1.- Regulation and Control



Level 2	Description	Values	Min	Def	Max.	A	B	C	D	E
SP	Temperature Adjustment (Set Point) (limits depending on probe type) (Page 10)	NTC		*	99	No	Yes	Yes	Yes	Yes
		PTC	-50	-	150				No	No
C0	Calibrating probe 1 (Offset) (Page 8)	(°C/°F)	-20.0	0.0	20.0	Yes	Yes	Yes	Yes	Yes
C1	Probe 1 differential (Hysteresis) (Page 10)	(°C/°F)	0.1	2.0	20.0	No	Yes	Yes	Yes	Yes
C2	Upper blocking of the set point (Page 8) (cannot be set above this value)	NTC		99	99	No	Yes	Yes	Yes	Yes
		PTC	C3	-	150				No	No
C3	Lower blocking of the set point (Page 8) (cannot be set below this value)	(°C/°F)	-50	-50	C2	No	Yes	Yes	Yes	Yes
C4	Type of delay for protection of the compressor (Page 11): 0=OFF/ON (since the last disconnection); 1=ON (since start-up/reset); 2=OFF-ON/ON-OFF (since the last shut-down /start-up)		0	0	2	No	Yes	Yes	Yes	Yes
C5	Protection delay time (value of the option selected in parameter C4) (Page 11)	(min.)	0	0	120	NO	Yes	Yes	Yes	Yes

A: Available in AKO-D14012 / D14023 / D14023C / D14024

B: Available in AKO-D14120 / D14123 / D14124 / D14125 / D10123

C: Available in AKO-D14112 / D14123-2 / D14123-2-RC

D: Available in AKO-D14212 / D14220 / D14223 / D14312 / D14320 / D14323 / D14323-C / D10223 / D10323

E: Available in AKO-D14412-RC, AKO-D14423-RC

Level 2

	Description	Values	Min	Def	Max.	A	B	C	D	E
C6	Status of COOL relay with probe fault (Page 11): 0 =OFF; 1 =ON; 2 =Average based on last 24 hours prior to probe fault; 3 =ON-OFF as prog. C7 and C8 (in heat mode always OFF)		0	0	3	No	Yes	Yes	Yes	Yes
C7	Time relay ON in case of faulty probe (Page 11): (If C7=0 and C8≠0, the relay will always be OFF deenergised)	(min.)	0	10	120	No	Yes	Yes	Yes	Yes
C8	Time relay OFF in case of fault of probe 1 (Page 11): (If C8=0 y C7≠0, the relay will always be ON energised)	(min.)	0	5	120	No	Yes	Yes	Yes	Yes
C9	Maximum duration of fast freezing mode. (0 =off) (Pág.10)	(h.)	0	24	48	No	No	Yes	Yes	Yes
C10	Change set point (SP) in fast freezing mode, when it reaches this point (SP + C10) returns to normal (SP+C10 ≥ C3) (0 =OFF) (Page 10)	(°C/°F)	0	-50	C3-SP	No	No	Yes	Yes	Yes
C11	Length of inactivity at digital input to activate ECO mode (Only if P10 or P11=1 and P0=0)(0 =OFF) (Page 11)	(h.)	0	2	24	No	No	Yes	Yes	Yes
C12	Change set point (SP) in ECO mode (SP+C12 ≤ C2) (0 =off) (Page 11)	(°C/°F)	0	2	C2-SP	No	No	Yes	Yes	Yes
EP	Exit to Level 1									

Level 1 - Defrost Control

These parameters are visible only if the unit is in cool mode (P0=0)



Level 2

	Description	Values	Min	Def	Max.	A	B	C	D	E
d0	Defrost frequency (Time between two starts) (Page12)	(h.)	0	*	96	No	Yes	Yes	Yes	Yes
d1	Maximum defrost duration (0 =defrost deactivated) (Page13)	(min.)	0	*	255	No	Yes	Yes	Yes	Yes
d2	Type of message during defrost: (Page 13) 0 =Current temperature; 1 =Temperature at start of defrost; 2 =Display dEF message		0	2	2	No	Yes	Yes	Yes	Yes
d3	Maximum duration of message (time added at the end of the defrost) (Page13)	(min.)	0	5	255	No	Yes	Yes	Yes	Yes
d4	Defrost end temperature (probe 2) (if P4 ≠ 1) (Page13)	(°C/°F)	-50	8	99,9	No	No	Yes	Yes	Yes
d5	Defrost on equipment start-up (Page13): 0 =NO, First defrost as per d0 1 =YES, First defrost as per d6		0	0	1	No	No	Yes	Yes	Yes
d6	Defrost start delay on equipment start-up (Page13)	(min.)	0	0	255	No	No	Yes	Yes	Yes
d7	Defrost type: 0 =Resistors, 1 =Inverted cycle, (Page12) 2 =Fan / air, 3 =Compressor off		0	0	3	No	No	Yes	Yes	Yes
d8	Calculated time between defrost period (Page 13): 0 =Total actual time; 1 =Sum of times the compressor is on		0	0	1	No	Yes	Yes	Yes	Yes

A: Available in **AKO-D14012 / D14023 / D14023C / D14024**

B: Available in **AKO-D14120 / D14123 / D14124 / D14125 / D10123**

C: Available in **AKO-D14112 / D14123-2 / D14123-2-RC**

D: Available in **AKO-D14212 / D14220 / D14223 / D14312 / D14320 / D14323 / D14323-C / D10223 / D10323**

E: Available in **AKO-D14412-RC, AKO-D14423-RC**

Level 2

	Description	Values	Min	Def	Max.	A	B	C	D	E
d9	Drip time at end of defrost (Page 12) (compressor and fans off) (if P4 ≠ 1)	(min.)	0	1	255	No	No	Yes	Yes	Yes
d10	1st defrost start time (RTC required) (Page 12)	(h : min.)	00:00	Off	23:59	No	No	Yes ⁽¹⁾	No	Yes
d11	2nd defrost start time (RTC required) (Page 12)	(h : min.)	00:00	Off	23:59	No	No	Yes ⁽¹⁾	No	Yes
d12	3rd defrost start time (RTC required) (Page 12)	(h : min.)	00:00	Off	23:59	No	No	Yes ⁽¹⁾	No	Yes
d13	4th defrost start time (RTC required) (Page 12)	(h : min.)	00:00	Off	23:59	No	No	Yes ⁽¹⁾	No	Yes
d14	5th defrost start time (RTC required) (Page 12)	(h : min.)	00:00	Off	23:59	No	No	Yes ⁽¹⁾	No	Yes
d15	6th defrost start time (RTC required) (Page 12)	(h : min.)	00:00	Off	23:59	No	No	Yes ⁽¹⁾	No	Yes
EP	Exit Level 1									

(1) Only available with, **AKO-D14123-2-RC**

Level 1.- Fan control



Level 2

	Description	Values	Min	Def	Max.	A	B	C	D	E
F0	Fan shut-down temperature as per probe 2 (if P4 ≠ 1) (Page 15)	(°C/°F)	-50	*	99,9	No	No	No	Yes	Yes
F1	Probe 2 differential (if P4 ≠ 1) (Page 15)	(°C/°F)	0,1	2,0	20,0	No	No	No	Yes	Yes
F2	Stop fans when stopping compressor 0 =No, 1 =Yes (Page 15)		0	1	1	No	No	No	Yes	Yes
F3	Fan status during defrost: (Page 15) 0 =Off; 1 =On		0	*	1	No	No	No	Yes	Yes
F4	Starting delay after defrost (if F3=0) (Page 15) Will only operate if it is higher than d9	(min.)	0	3	99	No	No	No	Yes	Yes
F5	Stop fans on opening the door 0 =No, 1 =Yes (Page 15) (Requires a digital input configured as port P10 or P11=1)		0	0	1	No	No	No	Yes	Yes
EP	Exit Level 1									

Level 1.- Alarm control (visual)



Level 2

	Description	Values	Min	Def	Max.	A	B	C	D	E
A0	Configuration of temperature alarms (Page 17): 0 =Relative to SP; 1 =Absolute		0	0	1	No	No	Yes	Yes	Yes
A1	Maximum alarm probe 1 (must be greater than SP) (Page 17)	(°C/°F) NTC PTC	A2	99,9 -	99,9 150	No	No	Yes	Yes	No
A2	Minimum alarm probe 1 (must be greater than SP) (Page 17)	(min.)	-50	-50	A1	No	No	Yes	Yes	Yes
A3	Temperature alarm delay during start-up (Page 18)	(min.)	0	0	120	No	No	Yes	Yes	Yes
A4	Temperature alarm delay after completion of a defrost (Page 18)	(min.)	0	0	99	No	No	Yes	Yes	Yes

A: Available in **AKO-D14012 / D14023 / D14023C / D14024**

B: Available in **AKO-D14120 / D14123 / D14124 / D14125 / D10123**

C: Available in **AKO-D14112 / D14123-2 / D14123-2-RC**

D: Available in **AKO-D14212 / D14220 / D14223 / D14312 / D14320 / D14323 / D14323-C / D10223 / D10323**

E: Available in **AKO-D14412-RC, AKO-D14423-RC**

Level 2

	Description	Values	Min	Def	Max.	A	B	C	D	E
A5	Temperature alarm delay after reaching the value of A1 or A2 (Page 18)	(min.)	0	30	99	No	No	Yes	Yes	Yes
A6	External alarm delay when receiving digital input signal (P10 or P11=2 or 3) (Page 18)	(min.)	0	0	120	No	No	Yes	Yes	Yes
A7	Deactivation delay of the external alarm when the signal of the digital input disappears (P10 or P11=2 or 3) (Page 18)	(min.)	0	0	120	No	No	Yes	Yes	Yes
A8	Show warning if defrost is terminated by time-out 0=No, 1=Yes (Page 17)		0	0	1	No	No	Yes	Yes	Yes
A9	Alarm relay polarity 0= Relay ON in alarm (OFF no alarm); 1= Relay OFF on alarm (ON with no alarm) (Page 18)		0	0	1	No	No	No	Yes	Yes
A10	Temperature Alarm Differential (A1 and A2) (Page 17)	(°C/°F)	0,1	1,0	20,0	No	No	Yes	Yes	Yes
A12	Door open alarm delay (if P10 or P11=1) (Page 18)	(min.)	0	2	120	No	No	Yes	Yes	Yes
EP	Exit to Level 1									

Level 1.- General status

Level 2

	Description	Values	Min	Def	Max.	A	B	C	D	E
P0	Type of operation 0=Direct, Cold; 1=Inverted, Heat (Page 8)		0	*	1	No	Yes	Yes	No	No
P1	Delay of all functions on receiving electrical power (Page 9)	(min.)	0	0	255	No	Yes	Yes	Yes	Yes
P2	Access code (password) functions (Page 9) 0=Inactive; 1=Block access to parameters; 2=Keyboard lock		0	0	2	Yes	Yes	Yes	Yes	Yes
P3	Set the default parameters according to the type of application (Page 7) 1=Multipurpose; 2=Frozen; 3=Fruit and Vegetables; 4=Fresh Fish; 5=Soft Drinks; 6=Bottle Racks; 7=AC; 8=Heat/Incubators		1	-	8	No	Yes	Yes	Yes	Yes
P4	Selection of type of inputs 1=1 probe + 2 digital inputs; 2=2 probes + 1 digital input; 3=3 probes (2) (Page 8)		1	1	3	No	No	Yes	Yes	Yes
P5	MODBUS address (Page 21)		1	1	225	Yes	Yes	Yes	Yes	Yes
P6	Configuration of AUX relay (Page 12 to 17) 0=Fan (3) 1=Defrost / 2nd Defrost (1) 2=Alarm 3=Light 4=Pump down (2) 5=Master Defrost (2)		0	1	5	No	No	No	Yes	Yes
P7	Temperature display mode (Page 8) 0=Whole in °C 1=One decimal in °C 2=Whole in °F 3=One decimal in °F		0	1	3	Yes	Yes	Yes	Yes	Yes

(1): Second defrost is available only on units with 4 relays.

(2): Only available on **AKO-D14412-RC** and **AKO-D14423-RC**

(3): Only 2-relay equipment

A: Available in **AKO-D14012 / D14023 / D14023C / D14024**

B: Available in **AKO-D14120 / D14123 / D14124 / D14125 / D10123**

C: Available in **AKO-D14112 / D14123-2 / D14123-2-RC**

D: Available in **AKO-D14212 / D14220 / D14223 / D14312 / D14320 / D14323 / D14323-C / D10223 / D10323**

E: Available in **AKO-D14412-RC, AKO-D14423-RC**

Level 2

	Description	Values	Min	Def	Max.	A	B	C	D	E
P8	Probe to be displayed (as per parameter P4) (Page 8) 0=visualization of all the probes in sequence; 1=Probe 1; 2=Probe 2; 3=Probe 3 (2)		1	1	3	No	No	Yes	Yes	Yes
P9	Selection of probe type 0=NTC; 1=PTC (Page 8)		0	0	1	Yes	Yes	Yes	No	No
P10	Configuring digital input 1 (Page 9) 0= Off 1=Door contact 2=External alarm 3=Severe external alarm 4=Slave defrost 5=Act. modo ECO 6=Act. Fast Freezing (If C9 ≠0) 7= Low pressure switch (2)		0	0	7	No	No	Yes	Yes	Yes
P11	Configuring digital input 2 (Page 9) 0= Off 1=Door contact 2=External alarm 3=Severe external alarm 4=Slave defrost 5=Act. ECO mode 6=Act. Fast Freezing (If C9 ≠0)		0	0	6	No	No	Yes	Yes	Yes
P12	Digital input polarity 1 (Page 9) 0=Energised on closed contact, 1=Energised on open contact		0	0	1	No	No	Yes	Yes	Yes
P13	Digital input polarity 2 (Page 9) 0=Energised on closed contact, 1=Energised on open contact		0	0	1	No	No	Yes	Yes	Yes
P14	Maximum start-up time after pump down (Page16)	(sec.)	1	10	999	No	No	No	No	Yes
P15	Maximum pump down time (Page16)	(sec. x 10)	1	30	999	No	No	No	No	Yes
EP	Exit Level 1									

(1): Second defrost is available only on units with 4 relays.

(2): Only available on **AKO-D14412-RC** and **AKO-D14423-RC**

Level 1.- Real Time Clock Parameters


Level 2

	Description	Values	Min	Def	Max.	A	B	C	D	E
r1	Clock configuration: HOUR (Page 9)	(h.)	0	0	23	No	No	Yes ⁽³⁾	No	Yes
r2	Clock configuration: MINUTES (Page 9)	(min.)	0	0	59	No	No	Yes ⁽³⁾	No	Yes
EP	Exit Level 1									

(3) Not available in **AKO-D14112**, **AKO-D14123-2**

Level 1.- Access control and information (tid)


Level 2

	Description	Values	Min	Def	Max.	A	B	C	D	E
L5	Access code (Password) (Page 9)		0	-	99	Yes	Yes	Yes	Yes	Yes
PU	Program version (Information)			-		Yes	Yes	Yes	Yes	Yes
Pr	Program revision (Information)			-		Yes	Yes	Yes	Yes	Yes
EP	Exit Level 1									

A: Available in **AKO-D14012 / D14023 / D14023C / D14024**

B: Available in **AKO-D14120 / D14123 / D14124 / D14125 / D10123**

C: Available in **AKO-D14112 / D14123-2 / D14123-2-RC**

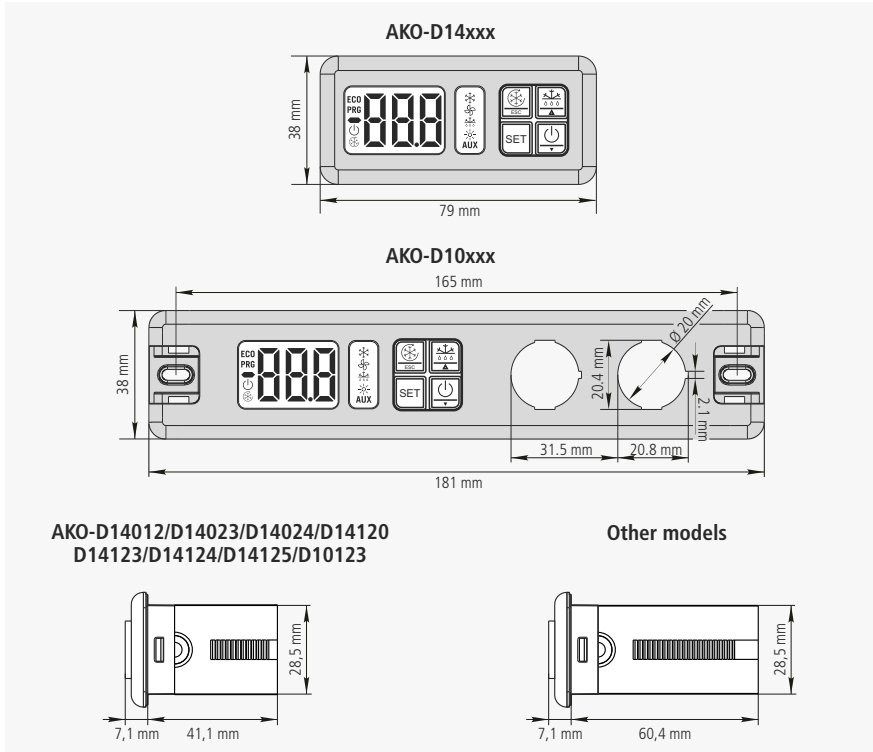
D: Available in **AKO-D14212 / D14220 / D14223 / D14312 / D14320 / D14323 / D14323-C / D10223 / D10323**

E: Available in **AKO-D14412-RC, AKO-D14423-RC**

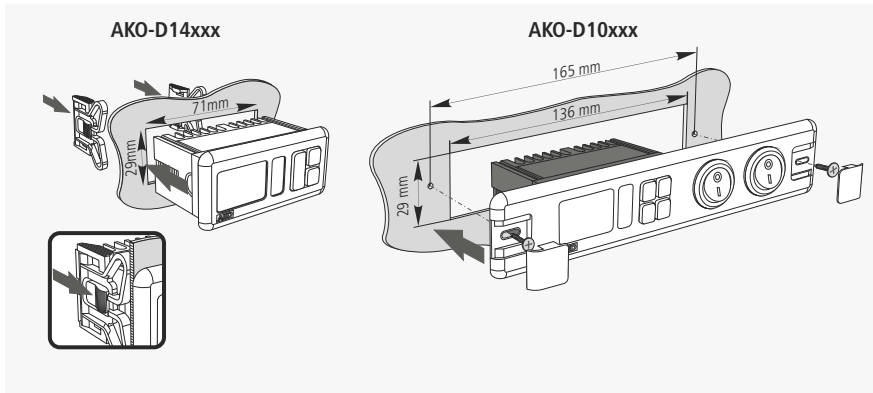
8.- Technical specifications

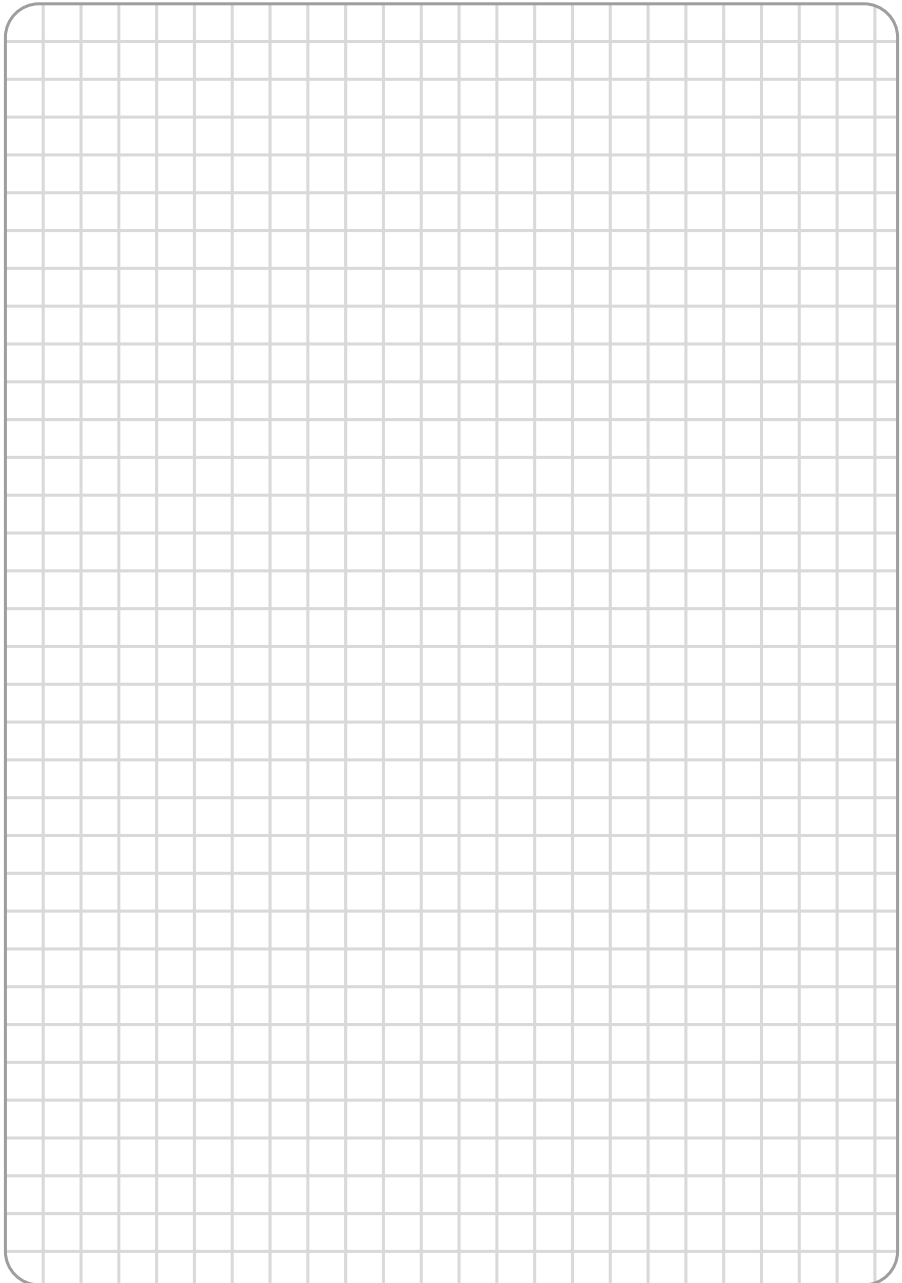
Power supply	AKO-D14012/D14112	12/24 V \sim \pm 20% 2.5 VA
	AKO-D14212/D14312/D14412-RC	12 V \sim \pm 20% 3 VA
	AKO-D14120/D14220/D14320	120 V \sim +8 % - 12 % 50/60 Hz 4 VA
	AKO-D14023/D14024/D14123/D14123-2/D14124/D14125/D14223/D14323	230 V \sim \pm 10 % 50/60 Hz 3.5VA
	AKO-D14023-C/D14123-2-RC/D14323-C/D14423-RC	90-260V \sim 50/60 Hz 7VA
Maximum Voltage SELV circuits		20V
Communication (Subject to availability)		Modbus RTU Rs485
Inputs (According to P4)		
	AKO-D14012/D14023/D14023-C/D14024/D14120/D14123/D14124/D14125/D10123	1 input NTC/PTC
	AKO-D14112/D14123-2/D14123-2-RC	2 inputs NTC/PTC + 1 digitised input
	AKO-D14212/D14220/D14223/D14312/D14320/D14323/D14323-C/D10223/D10323	1 input NTC/PTC + 2 digitised inputs
	AKO-D14412-RC/D14423-RC	2 inputs NTC + 1 digitised input
		1 input NTC + 2 digitised inputs
		3 inputs NTC
		2 inputs NTC + 1 digitised input
		1 input NTC + 2 digitised inputs
Relay 2 CV		(EN60730-1: 16(10) A 250V \sim)
Relay 16 A		(EN60730-1: 12(9) A 250V \sim)
Relay 6 A		(EN60730-1: 5(4) A 250V \sim)
Relay 8 A		(EN60730-1: 8(4) A 250V \sim)
Number of relay operations		EN60730-1: 100.000 operations
Types of probe		NTC AKO-149xx / PTC AKO-1558xx
Measurement range NTC		-50,0 °C to +99,9 °C (-58,0 °F to 211 °F)
PTC		-50,0 °C to +150 °C (-58,0 °F to 302 °F)
Resolution		0,1 °C
Working environment		-10 to 50 °C, humidity <90 %
Ambient storage humidity		-30 to 70 °C, humidity <90 %
Class of protection - fronta panel	AKO-D10123/D10223/D10323	IP50
	Other models	IP65
Fixation		Panel-mounted with anchors
Connections		Screw terminals for cables up to 2.5 mm ²
Rating of control device: built-in, automatic operation feature Type 1.B, for use in clean environments, Class A software and continuous operation. Pollution classification 2 s/ UNE-EN 60730-1.		
Double insulation between supply, secondary circuit and relay output.		
Rated pulse voltage		2500V
Temperature during ball-pressure test	Accessible parts	75 °C
	Parts which position active elements	125 °C
Voltage and current as per EMC tests		
	AKO-D14012/D14112/AKO-D14212/D14312/D14412-RC	9,6V, 181 mA
	AKO-D14120/D14220/D14320	105 V, 36 mA
	AKO-D14023/D14024/D14123/D14123-2/D14124/D14125/D14223/D14323/ D14023-C/D14123-2-RC/D14323-C/D14423-RC/D10123/D10223/D10323	207V, 17 mA
Current of radio jamming suppression tests		270 mA

8.1- Dimensions



8.2- Mounting







AKO ELECTROMECÁNICA, S.A.L.

Av. Roquetes, 30-38 | 08812 Sant Pere de Ribes | Barcelona | España

Tel. (34) 938 142 700 | Fax (34) 938 934 054 | e-mail: ako@ako.com | www.ako.com

Updated information on our website: www.ako.com