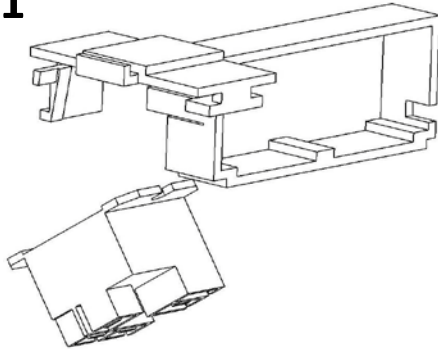


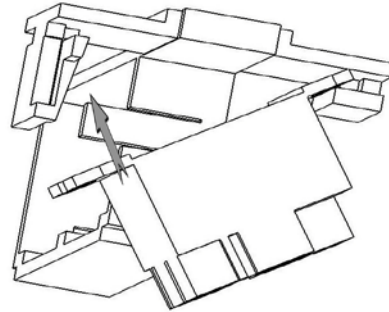
MODELS

MA67, MB67, MA610, MB610, MA614, MB614

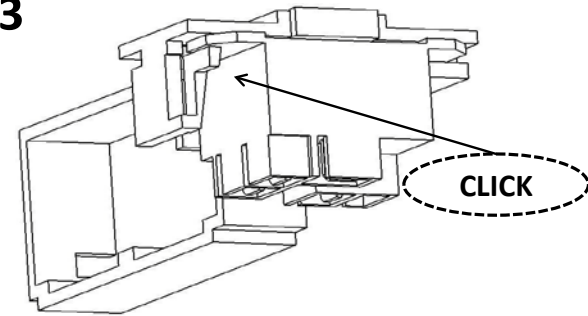
1



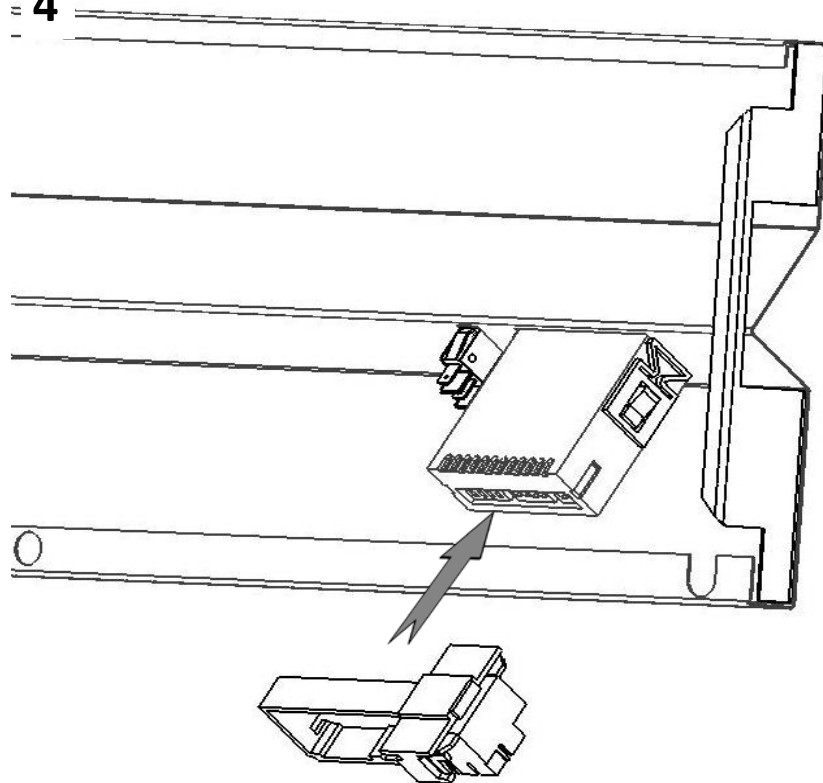
2



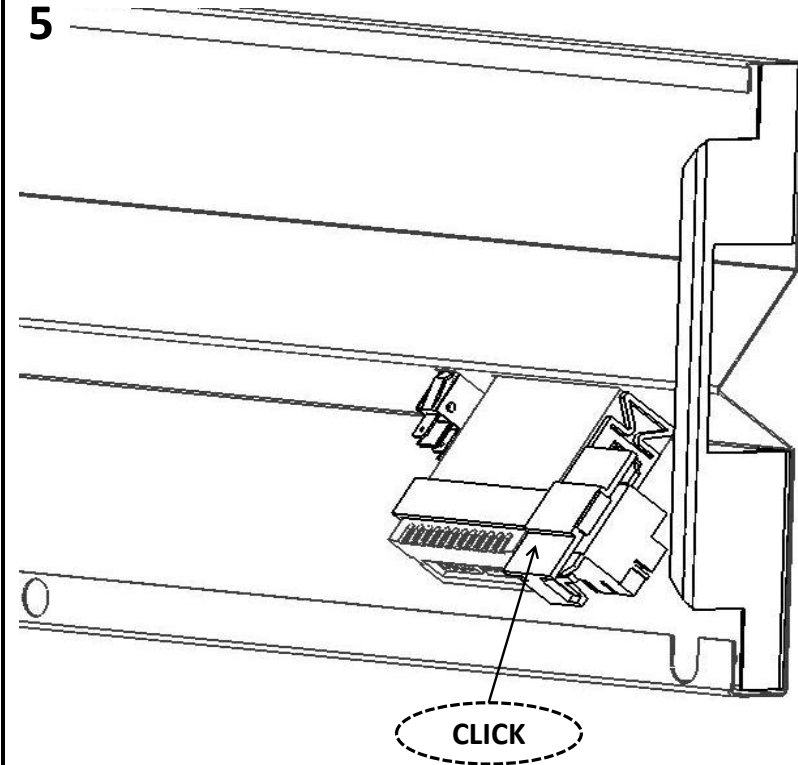
3



4

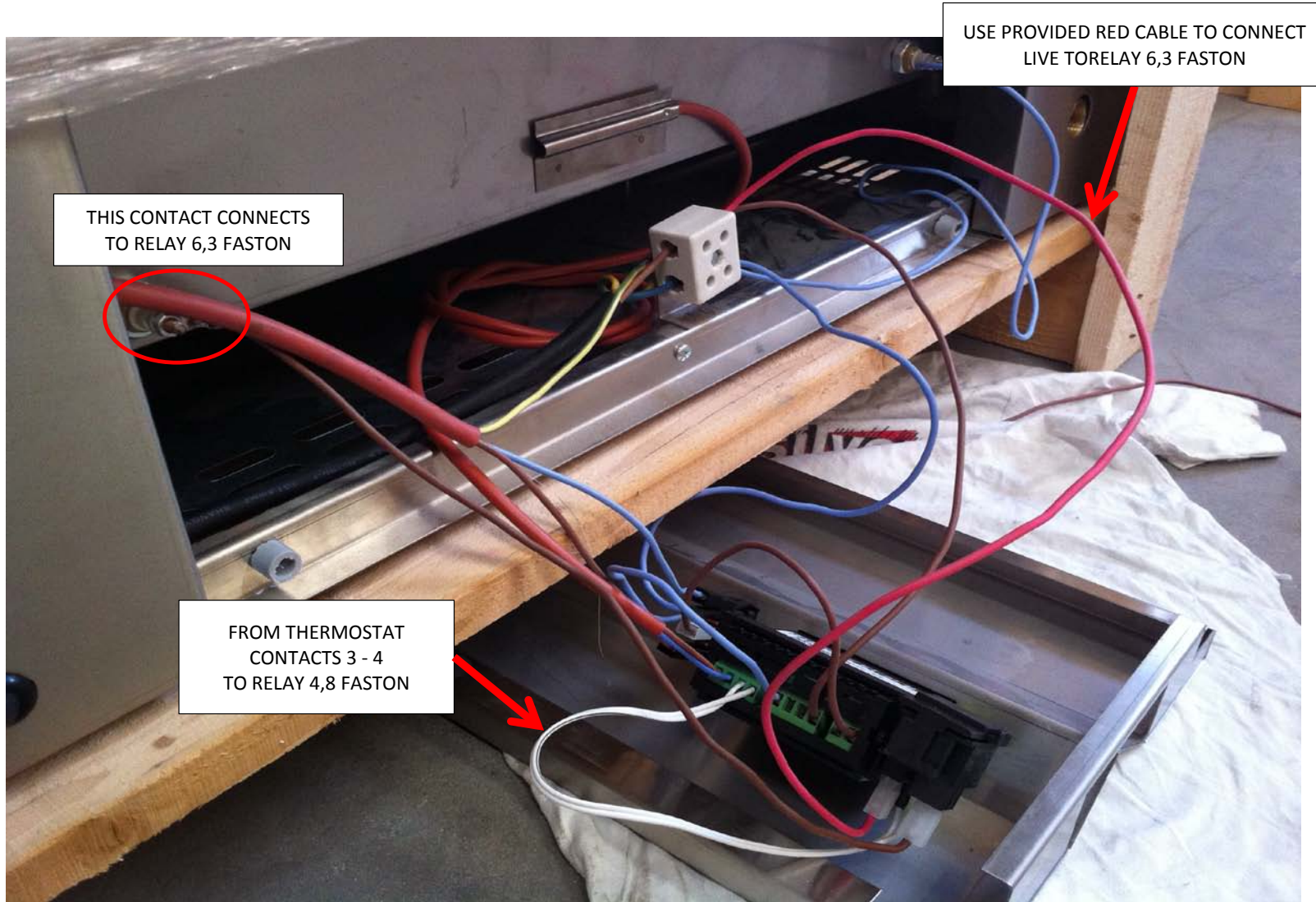


5



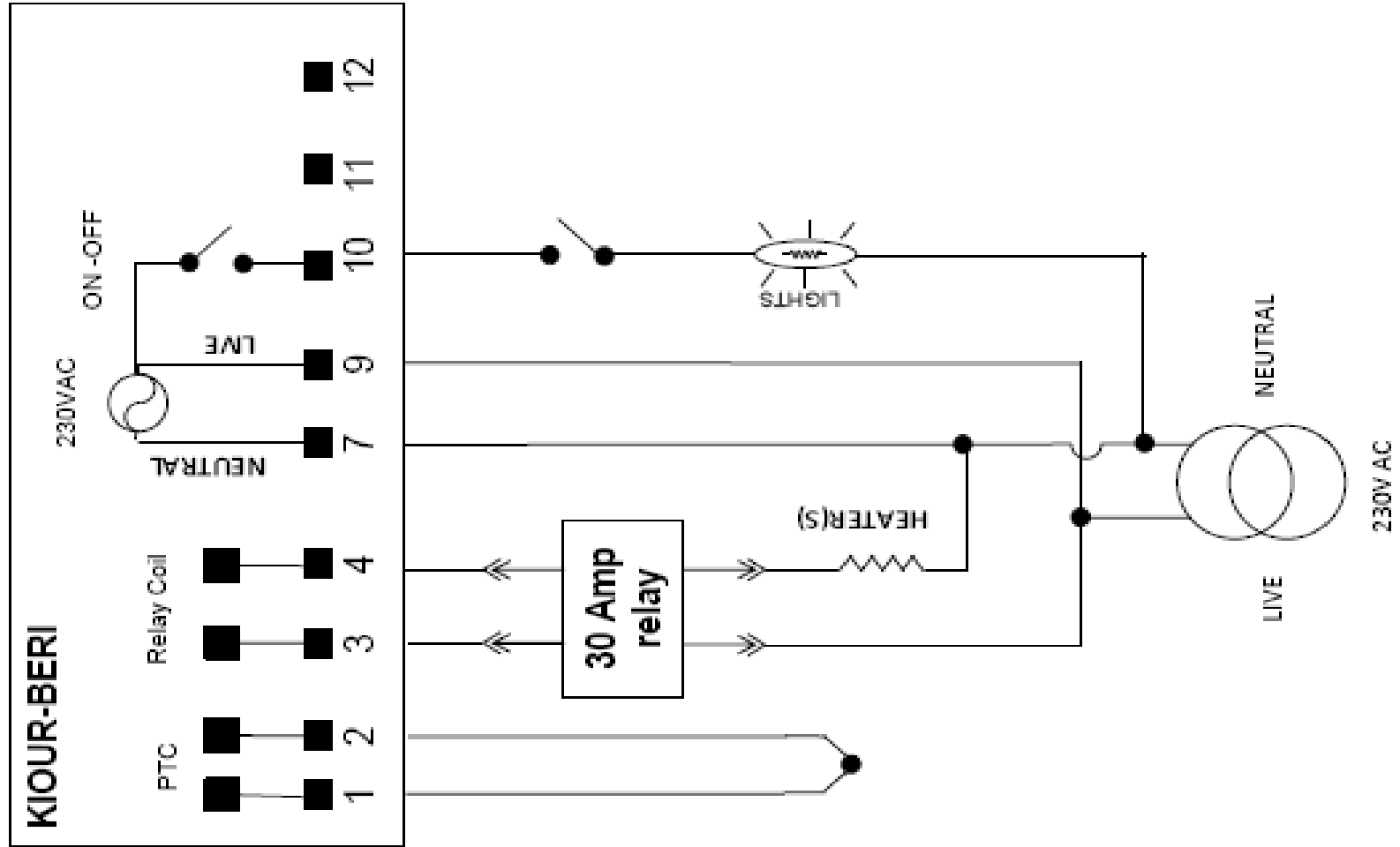
MODELS

MA67, MB67, MA610, MB610, MA614, MB614



MODELS

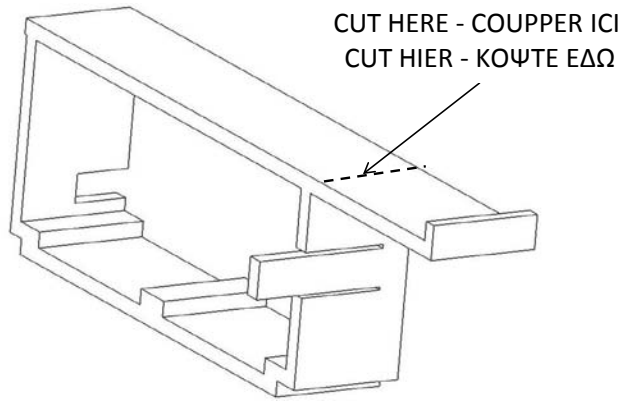
MA67, MB67, MA610, MB610, MA614, MB614



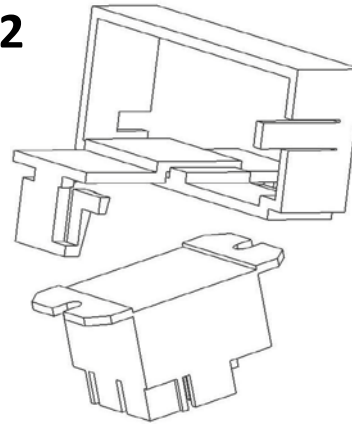
MODELS

MFS711, MDS711, MFS714, MDS714, MFS718, MDS718, GES711, GES714, GES716 , GES719

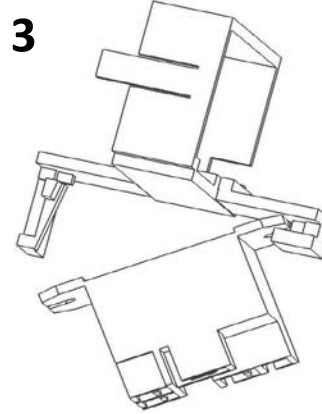
1



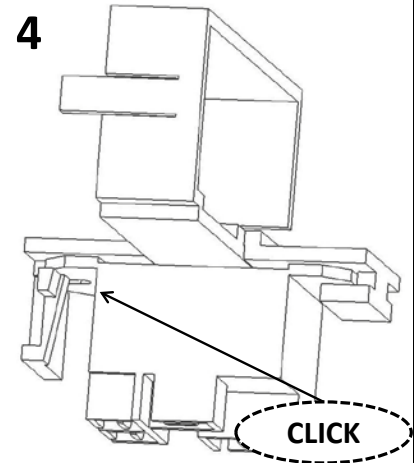
2



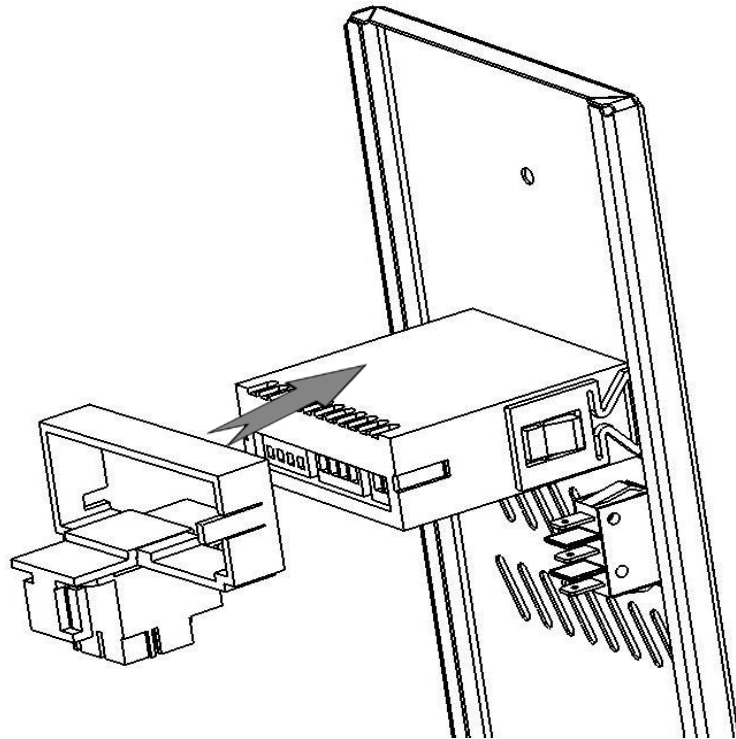
3



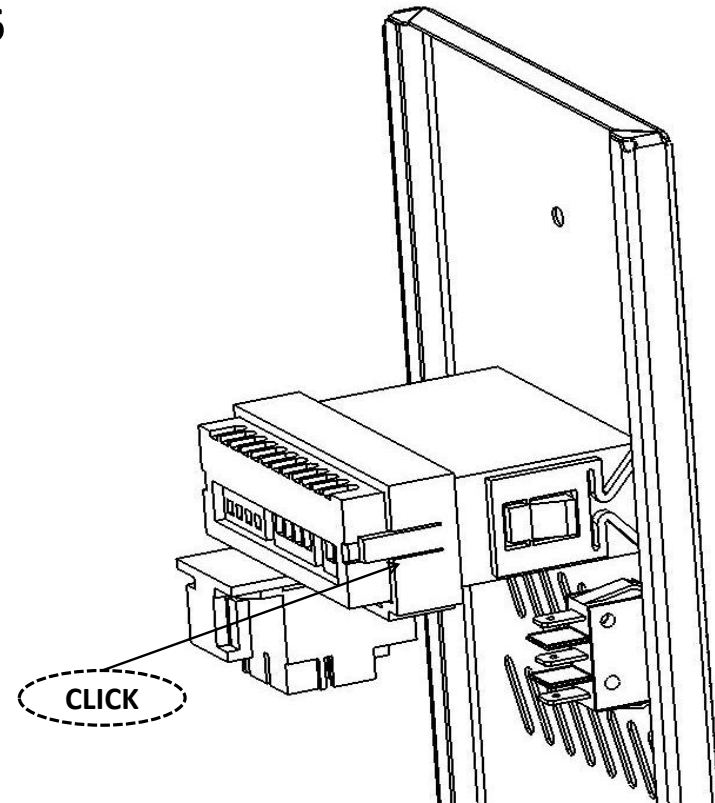
4



5

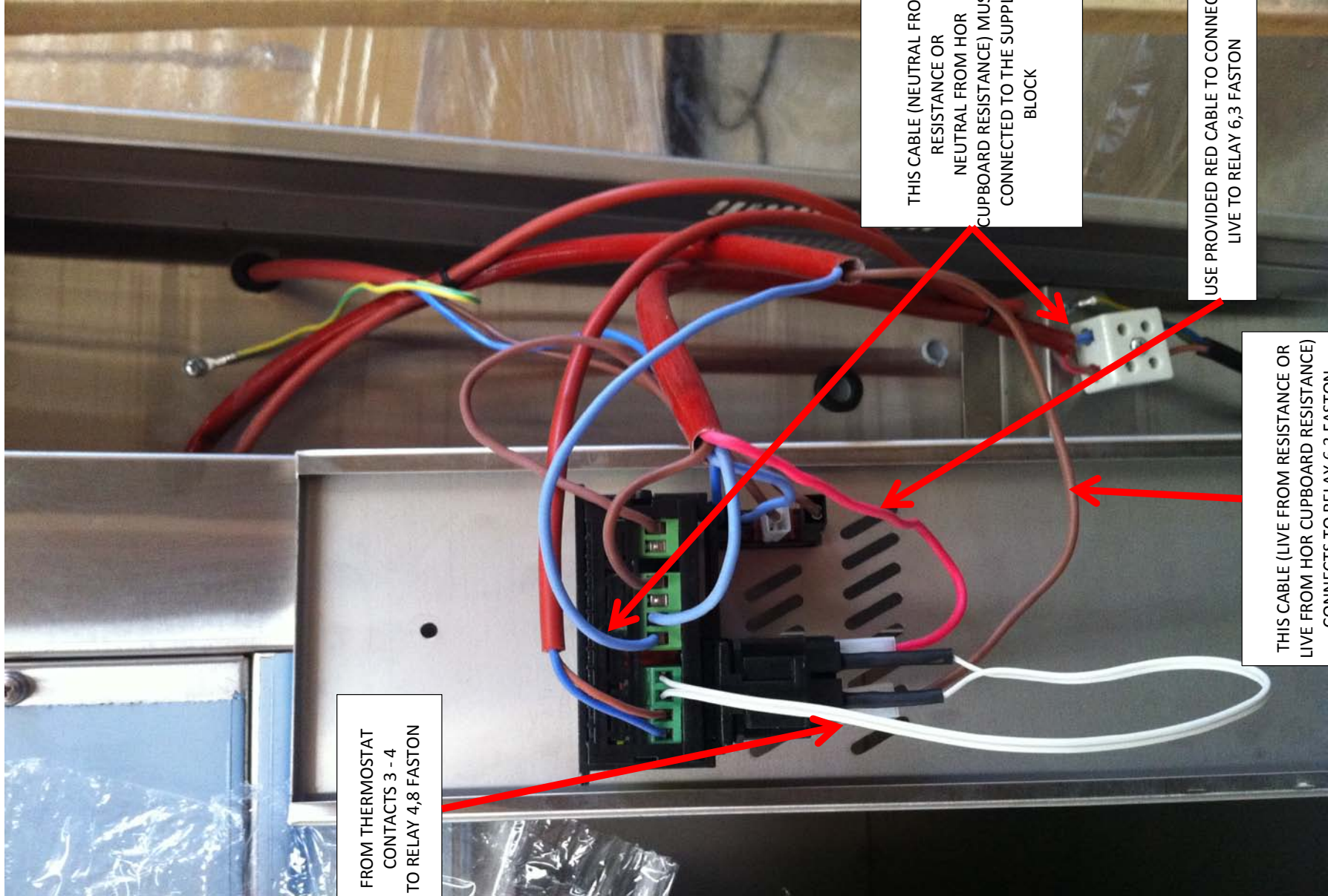


6



MODELS

MFS711, MDS711, MFS714, MDS714, MFS718, MDS718, GES711, GES714, GES716 , GES719



FROM THERMOSTAT
CONTACTS 3 - 4
TO RELAY 4,8 FASTON

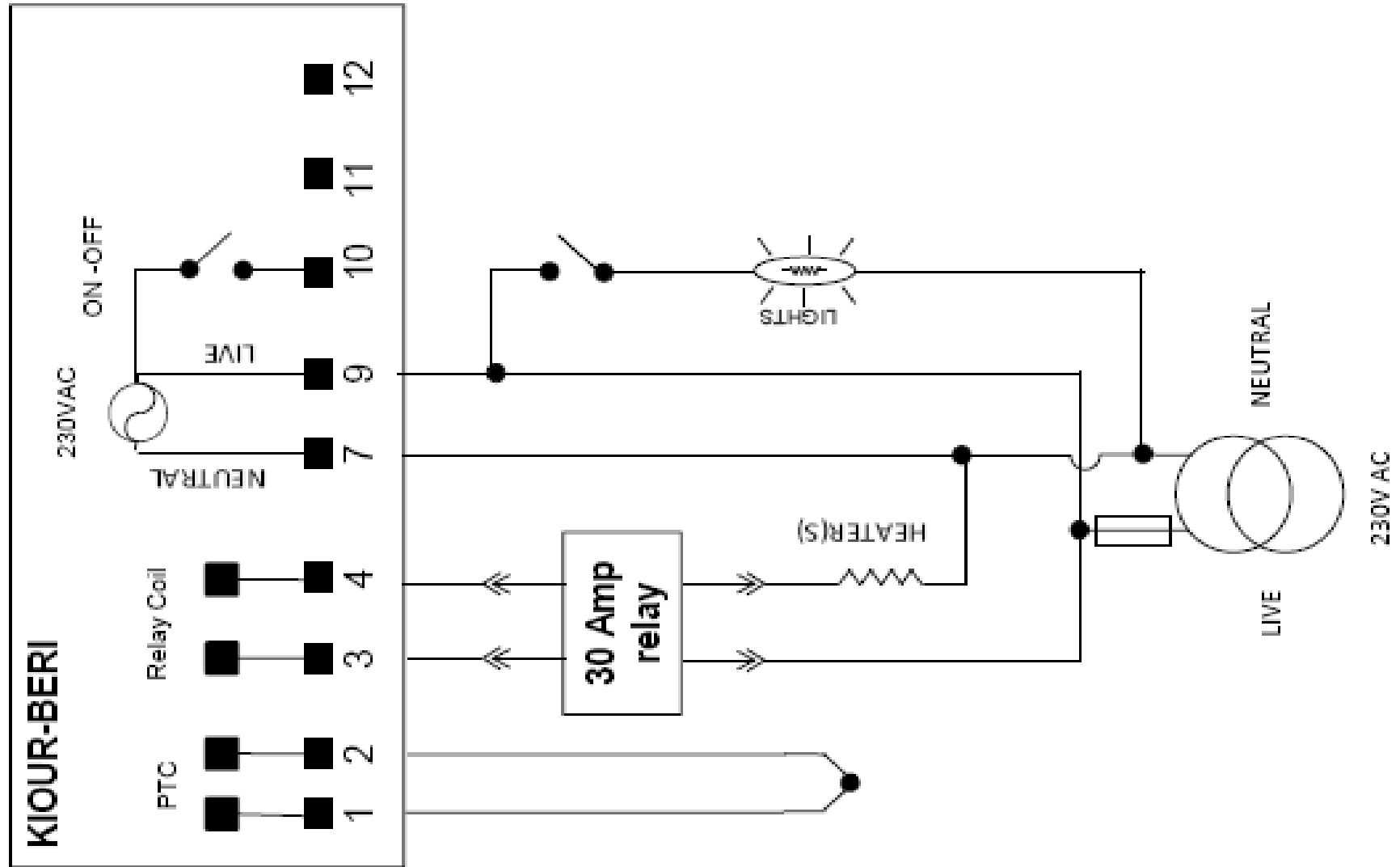
THIS CABLE (NEUTRAL FROM
RESISTANCE OR
NEUTRAL FROM HOR
CUPBOARD RESISTANCE) MUST BE
CONNECTED TO THE SUPPLY
BLOCK

USE PROVIDED RED CABLE TO CONNECT
LIVE TO RELAY 6,3 FASTON

THIS CABLE (LIVE FROM RESISTANCE OR
LIVE FROM HOR CUPBOARD RESISTANCE)
CONNECTS TO RELAY 6,3 FASTON

MODELS

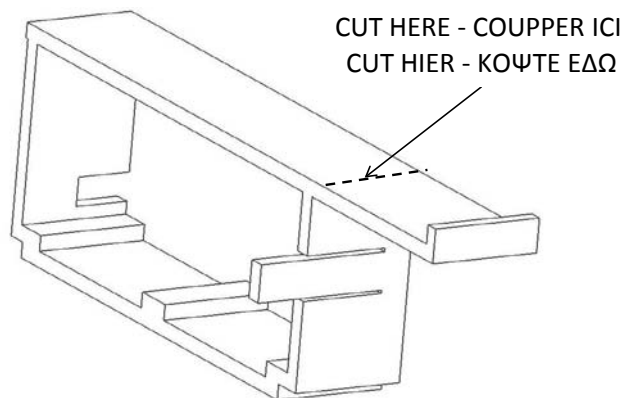
MFS711, MDS711, MFS714, MDS714, MFS718, MDS718, GES711, GES714, GES716 , GES719



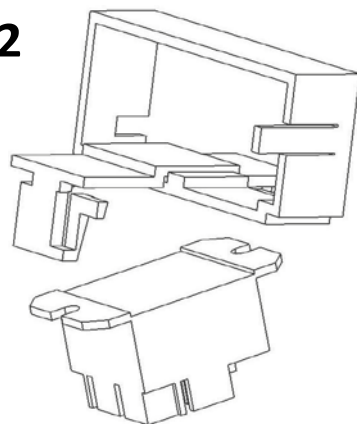
MODELS

MI711, MH711, MI714, MH714, MI718, MH718

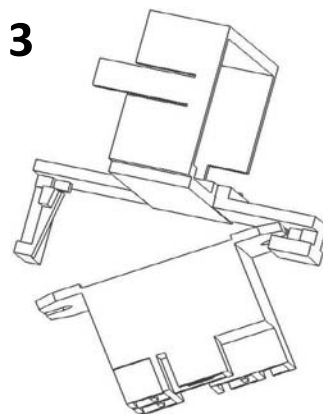
1



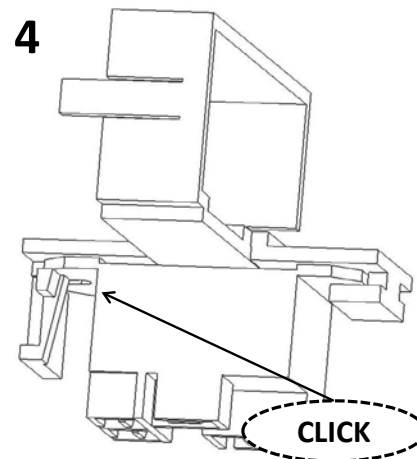
2



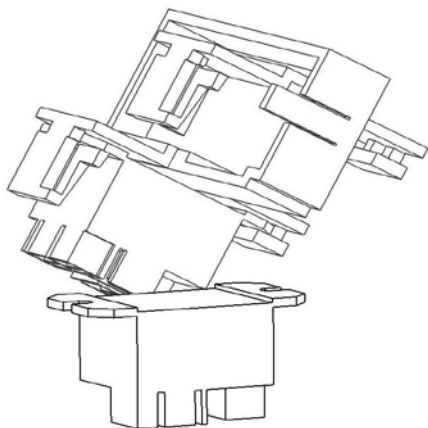
3



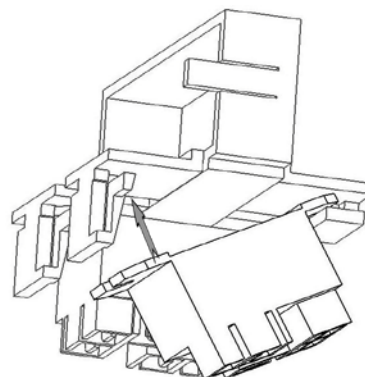
4



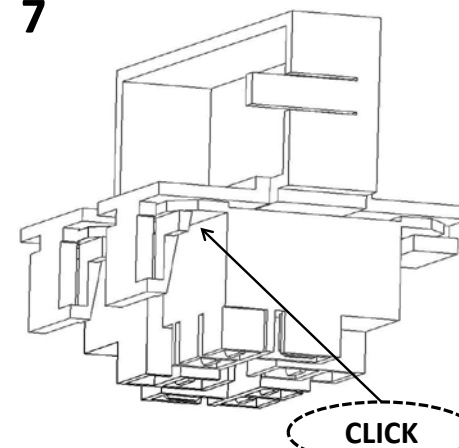
5



6

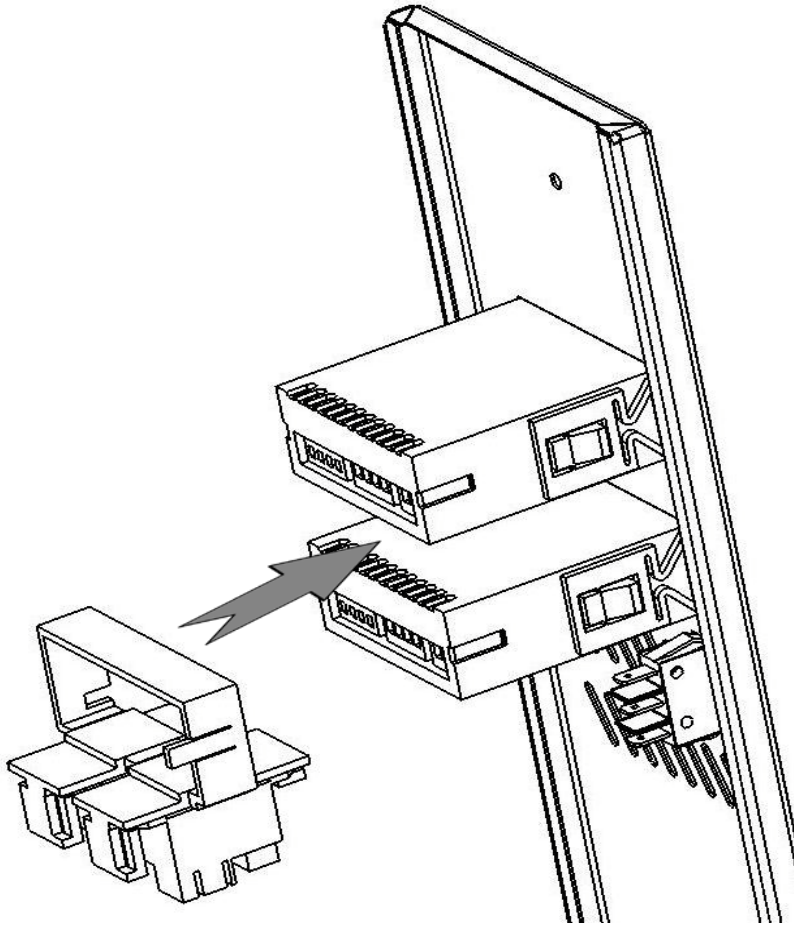


7

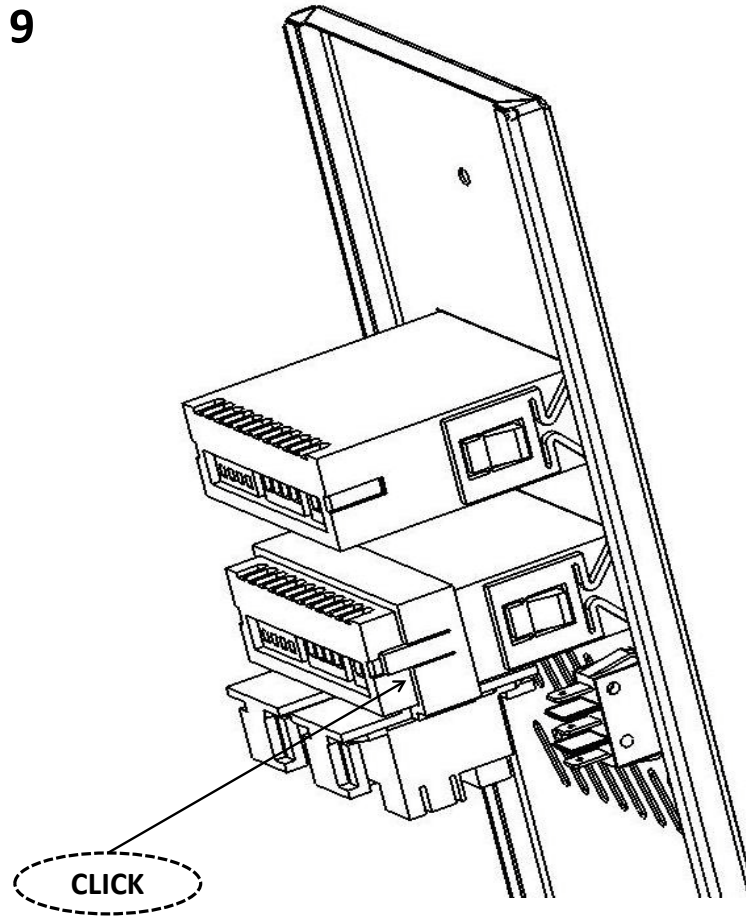


MODELS
MI711, MH711, MI714, MH714, MI718, MH718

8

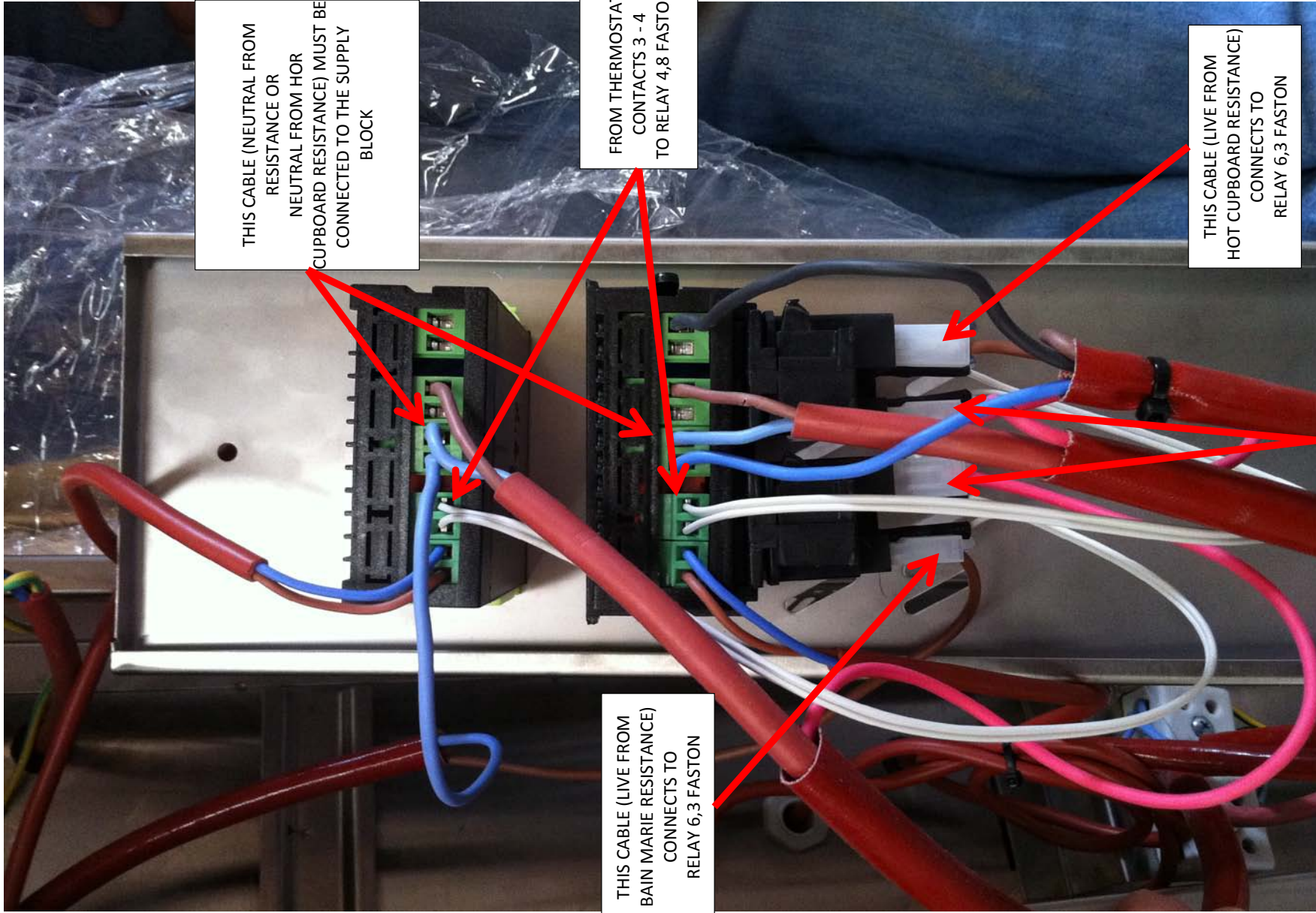


9



MODELS

MI711, MH711, MI714, MH714, MI718, MH718



THIS CABLE (NEUTRAL FROM RESISTANCE OR NEUTRAL FROM HOT CUPBOARD RESISTANCE) MUST BE CONNECTED TO THE SUPPLY BLOCK

FROM THERMOSTAT CONTACTS 3 - 4 TO RELAY 4,8 FASTON

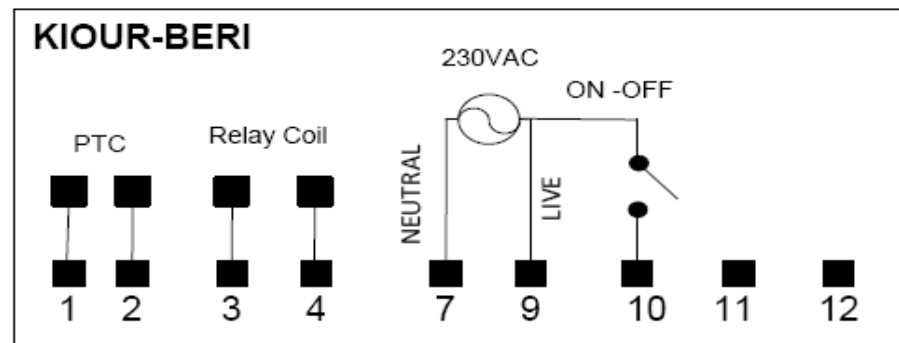
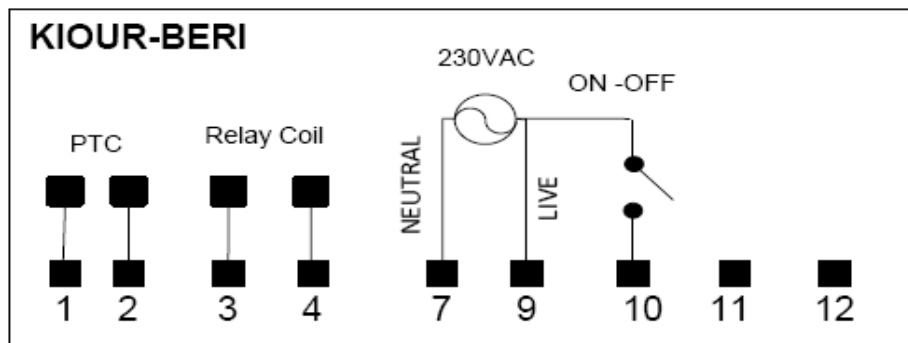
THIS CABLE (LIVE FROM HOT CUPBOARD RESISTANCE) CONNECTS TO RELAY 6,3 FASTON

THIS CABLE (LIVE FROM BAIN MARIE RESISTANCE) CONNECTS TO RELAY 6,3 FASTON

USE PROVIDED RED CABLES TO CONNECT LIVE FROM THE FUSES TO EACH RELAY 6,3 FASTON

MODELS

MI711, MH711, MI714, MH714, MI718, MH718



30 Amp
relay

30 Amp
relay

L1

L2

L3

NEUTRAL

ΣΥΝΔΕΣΤΕ ΣΕ ΤΡΙΦΑΣΙΚΟ ΔΙΑΚΟΠΤΗ
CONNECT TO THREE-PHASE SWITCH
3x230V