

Product Change Notice - Announcement

PCN no.:	P55-2022-006
Date:	2022-09-19
PCN Type:	Information
Subject:	EGO Thermostats - Change of diastat material / housing thickness / contact profile on product series 55.17
Reference:	Product Management Mechatronics - Kevin Grafmüller

1. Change reasons / change item

The company group E.G.O. constantly pursues to follow up on the continuous improvement of its products and production processes.

In order to secure the long-term availability and the price stability towards the customers, E.G.O. will introduce the following optimizations on EGO Thermostat series 55.17.

1.1 Change of material for diastat

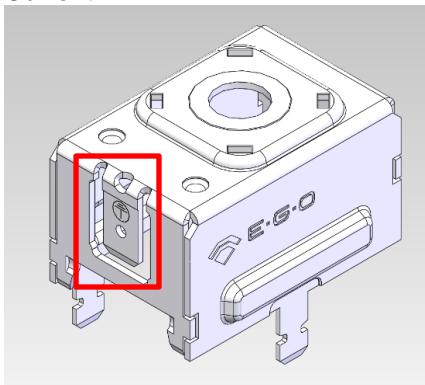
Due to the recent consolidations on the steel market, the long-term procurement of the material 1.4404 cannot be secured for the future. For this reason, E.G.O. will change the material of the sensor tube and the capillary tube to the material 1.4301/1.4307.

Depending on the availability on the market, E.G.O. will use the materials alternatively in the future.

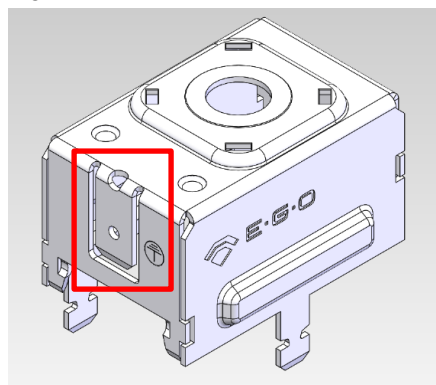
1.2 Change of housing thickness

The thickness of the thermostat cover will be changed to 0,8 mm. For this purpose, the tooling will be adjusted and the earth tab will be optimized. The position of the earth marking will be changed. Please see the following pictures.

Current:

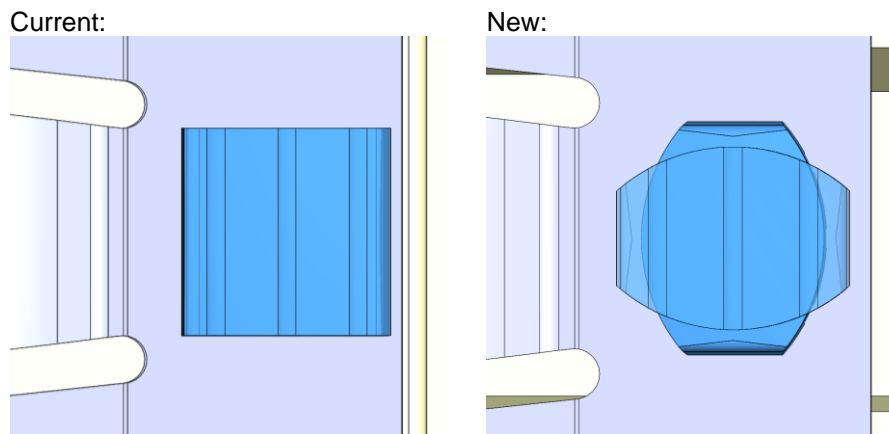


New:



1.3 Change of contact profile

E.G.O. will adapt the contact profile in order to optimize the contact coverage.



These product changes will be implemented in the manufacturing process. The changes will not have any negative influence on the reliability, functionality or performance of E.G.O.'s products and do not affect lifetime or approval.

2. Affected products

EGO Thermostat series 55.17

3. Affected material type numbers

- 55.17xxx.xxx

4. Identification of change

Only the change of the thermostat housing can be identified (see pictures in chapter 1.2).

5. Change schedule

E.G.O. intends to start the implementation of these changes in the production process in Q1/2023.

The remaining stocks will be used up before the changeover.

6. Additional information

The material type numbers will not be changed.

A general sampling is not intended.

In case that samples are needed, please get in contact with E.G.O.'s Sales Responsible.