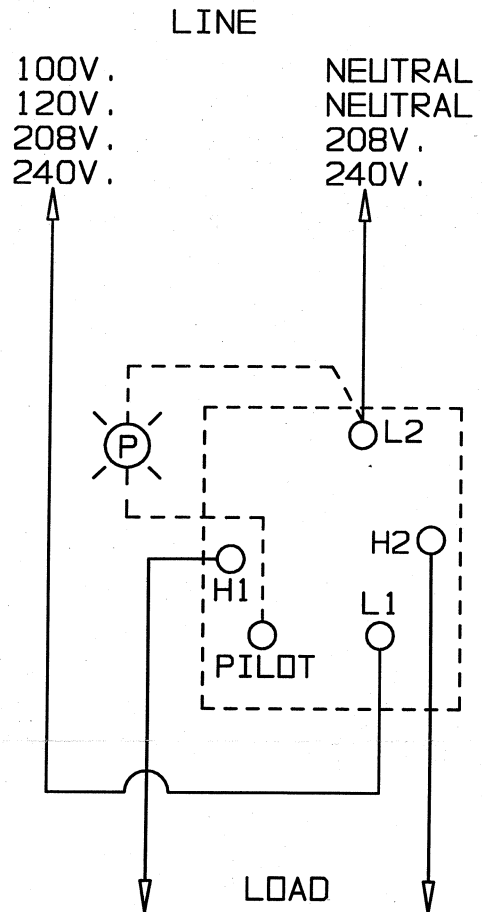


HARPER WYMAN SWITCH



EGO SWITCH

NOTE:
 POWER IN: L1 & L2 (100V. & 120V. L2 IS NEUTRAL)
 TO HEATING ELEMENT: H1 & H2

THIS PRINT IS NOT TO BE REPRODUCED WITHOUT PERMISSION OF THE HATCO CORP.

ECD.#5792
 REV.1:ADDED 100V.
 INFORMATION
 EVO.#10870,7-2-01

INFINITE SWITCH
 TERMINAL
 LOCATIONS

HATCO CORP., MILWAUKEE, WIS.

DRAWN J.R.M. DATE 7-19-95

CHECKED _____ DATE _____

APPROVED G.H.W. SCALE NTS =12"

HS1-3723-1