

HF13F

MINIATURE INTERMEDIATE POWER RELAY



File No.:E133481



File No.:R50154518



File No.:CQC09002030028 (DC type)
CQC09002030029 (AC type)



Features

- 1C: 15A; 2C:10A switching capability
- Various terminals available
- Sockets available
- Conform to the CE low voltage directive
- 1 & 2 pole configurations
- UL insulation system: Class F(2Z/2H)
- Environmental friendly product (RoHS compliant)
- Outline Dimensions: (28.0 x 21.5 x 35.0)mm

CONTACT DATA

Contact arrangement	1A,1C	2A,2C
Contact resistance	100mΩ max.(at 1A 6VDC)	
Contact material	See ordering info.	
Contact rating (Res. load)	15A 250VAC/30VDC	10A 250VAC/30VDC
Max. switching voltage	250VAC / 30VDC	
Max. switching current	15A	10A
Max. switching power	3750VA/450W	2500VA/300W
Mechanical endurance	1 x 10 ⁷ OPS	
Electrical endurance	1Z type: 1 x 10 ⁵ OPS (15A 250VAC, Resistive load, Room temp., 1s on 9s off)	
	1Z type: 1 x 10 ⁵ OPS (15A 30VDC, Resistive load, Room temp., 1s on 9s off)	
	2Z type: 1 x 10 ⁵ OPS (10A 250VAC, Resistive load, Room temp., 1s on 9s off)	
	2Z type: 1 x 10 ⁵ OPS (10A 30VDC, Resistive load, Room temp., 1s on 9s off)	

CHARACTERISTICS

Insulation resistance	500MΩ (at 500VDC)	
Dielectric strength	Between coil & contacts	1500VAC 1min
	Between open contacts	1000VAC 1min
	Between contact sets	1500VAC 1min
Operate time (at nomi. volt.)	25ms max.	
Release time (at nomi. volt.)	25ms max.	
Temperature rise (no-load, at nomi.volt.)	60K max.	
Shock resistance	Functional	98m/s ²
	Destructive	980m/s ²
Vibration resistance	10Hz to 55Hz 1mm DA	
Humidity	5% to 85% RH	
Ambient temperature	-40°C to 70°C	
Termination	PCB, Plug-in	
Unit weight	Approx. 37g	
Construction	Dust protected	

Notes: The data shown above are initial values.



HONGFA RELAY

ISO9001, ISO/TS16949, ISO14001, OHSAS18001, IECQ QC 080000 CERTIFIED

2017 Rev. 1.20

COIL

Coil power	DC type: Approx. 0.9W to 1.1W AC type: Approx. 1.2VA to 1.8VA
------------	--

COIL DATA

at 23°C

1 Pole

Nominal Voltage VDC	Pick-up Voltage VDC max. ¹⁾	Drop-out Voltage VDC min.	Max. Voltage VDC ²⁾	Coil Resistance Ω
5	4.0	0.5	5.5	27.5x(1±10%)
6	4.8	0.6	6.6	40x(1±10%)
9	7.2	0.9	9.9	90x(1±10%)
12	9.6	1.2	13.2	160x(1±10%)
21	16.8	2.1	23.1	490x(1±10%)
24	19.2	2.4	26.4	650x(1±10%)
30	24	3	33	1000x(1±10%)
36	28.8	3.6	39.6	1440x(1±10%)
48	38.4	4.8	52.8	2600x(1±15%)
60	48	6	66	4000x(1±15%)
110	88.0	11.0	121	11000x(1±15%)
125	100.0	12.5	137.5	14000x(1±15%)
220	176.0	22	242	53750x(1±15%)

Nominal Voltage VAC	Pick-up Voltage VAC max. ¹⁾	Drop-out Voltage VAC min.	Max. Voltage VAC ²⁾	Coil Resistance Ω
A6	4.80	1.8	6.6	11.5x(1±10%)
A12	9.60	3.6	13.2	46x(1±10%)
A24	19.2	7.2	26.4	184x(1±10%)
A36	28.8	10.8	39.6	400x(1±10%)
A48	38.4	14.4	52.8	735x(1±10%)
A60	48	18	66	1100x(1±10%)
A110	80	33	121	3400x(1±15%)
A120	88	36	132	4550x(1±15%)
A220/A240	160	66	242	14400x(1±15%)
A277	221.6	83.1	304.7	23590x(1±15%)

COIL DATA

at 23°C

2 Pole

Nominal Voltage VDC	Pick-up Voltage VDC max.	Drop-out Voltage VDC min.	Max. Voltage VDC	Coil Resistance Ω
5	4.0	0.5	5.5	28x(1±10%)
6	4.8	0.6	6.6	40x(1±10%)
9	7.2	0.9	9.9	90x(1±10%)
12	9.6	1.2	13.2	160x(1±10%)
21	16.8	2.1	23.1	490x(1±10%)
24	19.2	2.4	26.4	640x(1±10%)
30	24	3	33	1000x(1±10%)
36	28.8	3.6	39.6	1440x(1±10%)
48	38.4	4.8	52.3	2560x(1±15%)
60	48	6	66	4000x(1±15%)
110	88	11	121	12250x(1±15%)
125	100	12.5	137.5	17360x(1±15%)
220	176	22	242	53360x(1±15%)

Nominal Voltage VAC	Pick-up Voltage VAC max.	Drop-out Voltage VAC min.	Max. Voltage VAC	Coil Resistance Ω
A6	4.8	1.8	6.6	11x(1±10%)
A12	9.6	3.6	13.2	44x(1±10%)
A24	19.2	7.2	26.4	177x(1±10%)
A36	28.8	10.8	39.6	400x(1±10%)
A48	38.4	14.4	52.8	708x(1±10%)
A60	48	18	66	1100x(1±10%)
A100	80	33	121	3400x(1±15%)
A110/A120	88	36	132	4080x(1±15%)
A200	160	66	242	12950x(1±15%)
A220/A240	176	72	264	16300x(1±15%)
A277	221.6	83.1	304.7	23590x(1±15%)

Notes: 1) Under ambient temperature, applying more than 80% of rating voltage to coil, relay will take action accordingly. But in order to meet the stated product performance, please apply rated voltage to coil.

2) Maximum voltage refers to the maximum voltage which relay coil could endure in a short period of time.

SAFETY APPROVAL RATINGS

UL/CUL	AgCdO	HF13F1Z/1H	15A 250VAC
			10A 240VAC
			15A 30VDC
			10A 30VDC
	AgCe	HF13F2Z/2H	10A 250VAC
			10A 30VDC
			15A 250VAC
			15A 30VDC
			10A 250VAC
			10A 30VDC
AgSnO ₂	HF13F2Z/2H	1/3HP,240VAC/ 120VAC	
		10A 30VDC	
AgNi	HF13F2Z/2H	10A 250VAC	
		10A 30VDC	
TÜV	AgCdO	HF13F2Z/2H	10A 250VAC,70°C
			10A 30VDC,70°C
	AgSnO ₂	HF13F2Z/2H	10A 250VAC,70°C
			10A 30VDC,70°C
	AgNi	HF13F2Z/2H	10A 250VAC,70°C
			10A 30VDC,70°C

Notes: 1) All values unspecified are at room temperature.

2) Only typical loads are listed above. Other load specifications can be available upon request.

ORDERING INFORMATION

Type	HF13F / A 012 -2Z 1 1 D (XXX)		
Coil voltage form	A: AC Nil: DC		
Coil voltage	DC: 5VDC to 220VDC AC: 6VAC to 277VAC		
Contact arrangement	1H: 1 Form A 2H: 2 Form A 1Z: 1 Form C 2Z: 2 Form C		
Mounting termination	1: Socket 2: PCB 5: Flange-Mounting		
Contact material	3: AgNi T: AgSnO G: AgCdO+Au plated 3G: AgNi+Au plated TG: AgSnO+Au plated Nil: AgCdO		
LED	D: With LED Nil: Without LED J: with free wheeling diode DJ: with light emitting diode and with free wheeling diode		
Special code ²⁾	XXX: Customer special requirement Nil: Standard		

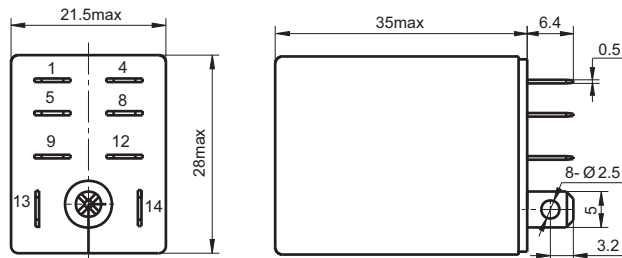
Notes: 1) The customer special requirement express as special code after evaluating by Hongfa.

OUTLINE DIMENSIONS, WIRING DIAGRAM AND PC BOARD LAYOUT

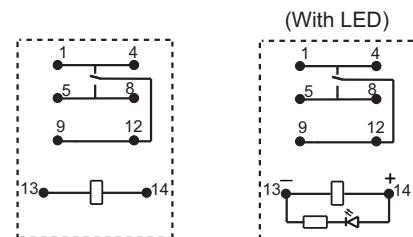
Unit: mm

HF13F/□□□□-1Z1□

Outline Dimensions



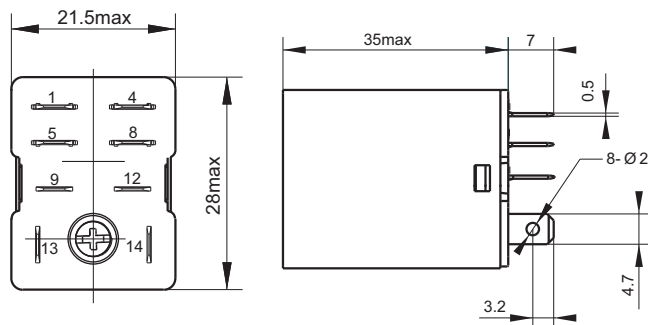
Wiring Diagram
(Bottom view)



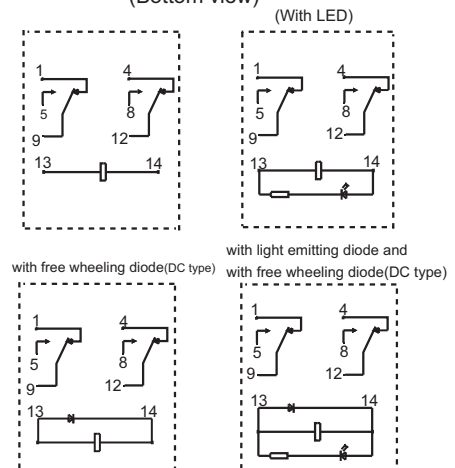
Remark: For AC parts with diode, the positive and negative pole markings on wiring diagram are not applicable.

HF13F/□□□□-2Z1□

Outline Dimensions



Wiring Diagram
(Bottom view)



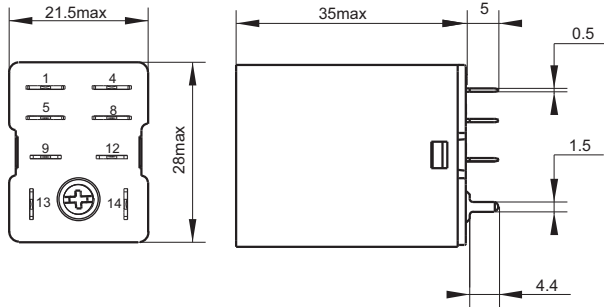
Remark: 2Z/2H with LED type product is not necessary to distinguish positive and negative poles.

OUTLINE DIMENSIONS, WIRING DIAGRAM AND PC BOARD LAYOUT

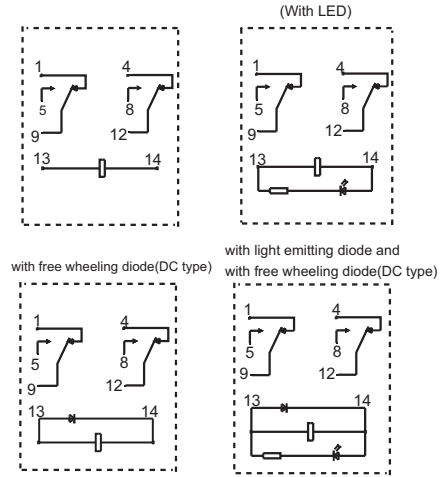
Unit: mm

HF13F/□□□□-2Z2□

Outline Dimensions

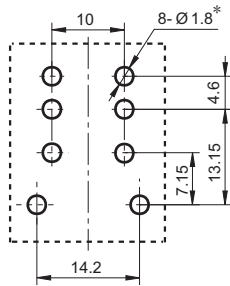


Wiring Diagram (Bottom view)



Remark: 2Z/2H with LED type product is not necessary to distinguish positive and negative poles.

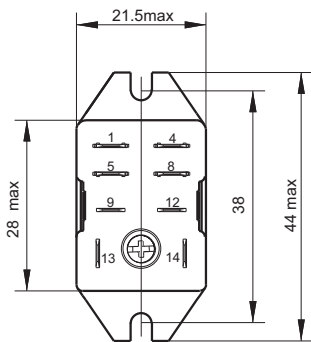
PCB Layout (Bottom view)



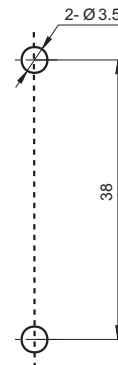
*: Please adjust the site of this diameter according to the actual application.

HF13F/□□□□-2Z5□

Outline Dimensions



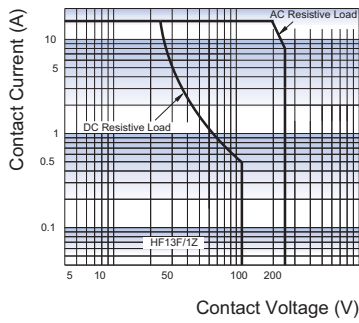
Mounting holes



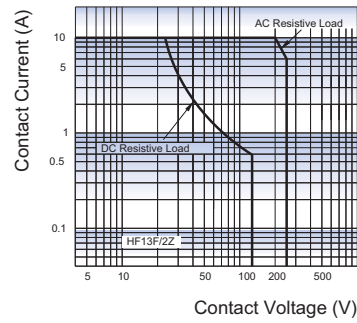
Remark: 1) In case of no tolerance shown in outline dimension: outline dimension $\leq 1\text{mm}$, tolerance should be $\pm 0.2\text{mm}$; outline dimension $> 1\text{mm}$ and $\leq 5\text{mm}$, tolerance should be $\pm 0.3\text{mm}$; outline dimension $> 5\text{mm}$, tolerance should be $\pm 0.4\text{mm}$.
2) The tolerance without indicating for PCB layout is always $\pm 0.1\text{mm}$.

CHARACTERISTIC CURVES

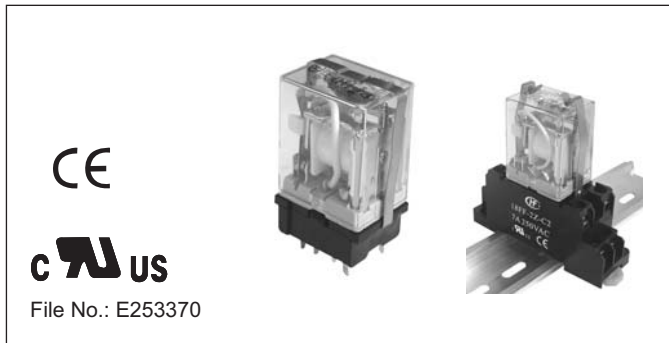
MAXIMUM SWITCHING POWER(1C)



MAXIMUM SWITCHING POWER(2C)



Relay Sockets



Features


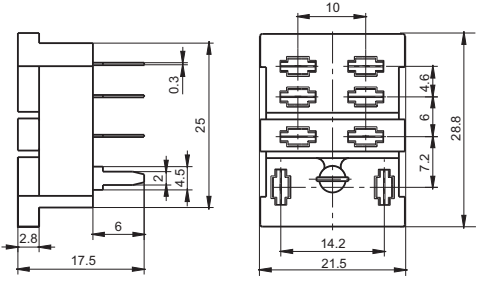
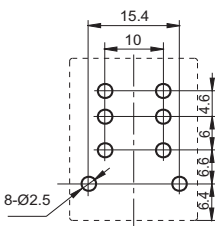
- The dielectric strength can reach 2000VAC and the insulation resistance is 1000 MΩ
- Three mounting types are available: PCB mounting, screw mounting and DIN rail mounting.
- With finger protection device
- Components available: metallic retainer
- Environmental friendly product (RoHS compliant)

CHARACTERISTICS

Type	Nominal Voltage	Nominal Current	Ambient Temperature	Dielectric Strength min.	Screw Torque	Wire Strip Length
13F-2Z-A2	250VAC	15A	-40 °C to 70 °C	2000VAC	—	—
13F-2Z-C1	250VAC	15A	-40 °C to 70 °C	2000VAC	1.0N · m	7mm
13F-2Z-C2	250VAC	15A	-40 °C to 70 °C	2000VAC	1.0N · m	7mm


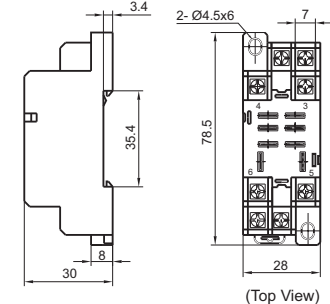
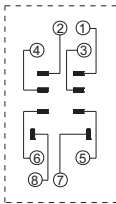
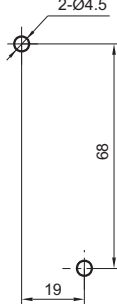

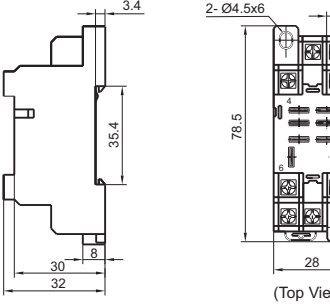
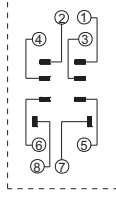
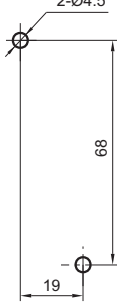
OUTLINE DIMENSIONS, WIRING DIAGRAM AND PC BOARD LAYOUT

Unit: mm

Socket	Outline Dimensions	Wiring Diagram	PCB Layout	Components Available
<p>13F-2Z-A2</p>  <p>PCB terminal, PCB mounting</p>	 <p>(Top View)</p>			<p>metallic retainer 18FF-H1</p>

OUTLINE DIMENSIONS, WIRING DIAGRAM AND PC BOARD LAYOUT

Unit: mm

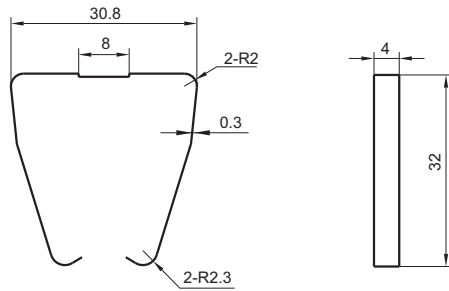
Socket	Outline Dimensions	Wiring Diagram	PCB Layout	Components Available
<p>13F-2Z-C1</p>  <p>Screw terminal, DIN rail or Screw mounting, Without finger protection device</p>	 <p>(Top View)</p>	 <p>(Top View)</p>		<p>metallic retainer 18FF-H2 (be used in sets)</p>
<p>13F-2Z-C2</p>  <p>Screw terminal, DIN rail or Screw mounting, With finger protection device</p>	 <p>(Top View)</p>	 <p>(Top View)</p>		<p>metallic retainer 18FF-H2 (be used in sets)</p>

DIMENSION OF RELATED COMPONENT (AVAILABLE)

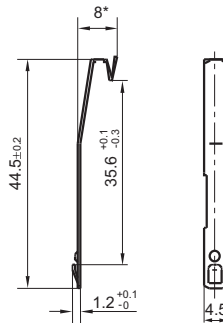
Unit: mm

Retainer

18FF-H1 (Metallic retainer)



18FF-H2 (Metallic retainer)



Note: 18FF-H2 retainer has to be used in sets, please pay special attention while placing the order.

Things to be noticed when selecting sockets:

1. Please choose suitable relay socket according to the actual mounting environment, relay contact poles and terminal layout. If there is any query on selection, please contact Hongfa for the technical service.
2. As for other related components, they should be selected separately. Please do give clear indication of the types of relay sockets and related components you choose while placing order.
3. The above is only an example of typical socket and related component type which is suitable to HF13F relay. If you have any special requirements, please contact us.
4. Main outline dimension (L, W, H) ≥ 50 mm, tolerance should be ± 1 mm; outline dimension > 20 mm and < 50 mm, tolerance should be ± 0.5 mm; outline dimension ≤ 20 mm, tolerance should be ± 0.3 mm.
5. DIN rail mounting: recommend to use standard rail $35 \times 7.5 \times 1$, $35 \times 15 \times 1$.

Disclaimer

The specification is for reference only. See to "Terminology and Guidelines" for more information. Specifications subject to change without notice. We could not evaluate all the performance and all the parameters for every possible application. Thus the user should be in a right position to choose the suitable product for their own application. If there is any query, please contact Hongfa for the technical service. However, it is the user's responsibility to determine which product should be used only.