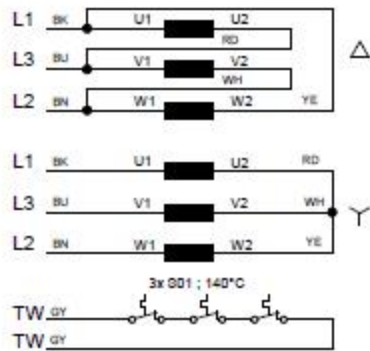


bei Phasenfolge L1 L3 L2 an U V W Linkslauf  
 connecting L1 L3 L2 with U V W  
 rotation: counter-clockwise



BK = Black / Schwarz

BU = Blue / Blau

BN = Brown / Braun

RD = Red / Rot

WH = White / Weiss

YE = Yellow / Gelb

GY = Grey / Grau