

Logix™ Chlorine Generator (Check Salt Light)

Installation Instructions (World)

The Logix 740C/742C and 760C/762C controls have the capability to produce a low level of chlorine to chlorinate the resin bed during regeneration. Included with the chlorine generator is the check salt light which indicates when the end user needs to add salt to the regenerant tank. Potassium chloride or sodium chloride may be used. Installing the chlorine generator is simple.

Step 1

Remove the Logix control by pushing the release tab down and rocking the controller out and up. See Figure 1. Disconnect the power.

Step 2

Insert the small chlorine generator wire connector into the back of the Logix control, see Figure 1.

Step 3

Remove the existing refill controller and ball from the valve and replace it with the chlorine generator refill flow control. See the illustrations to the right for the location of the refill controller.

Step 4

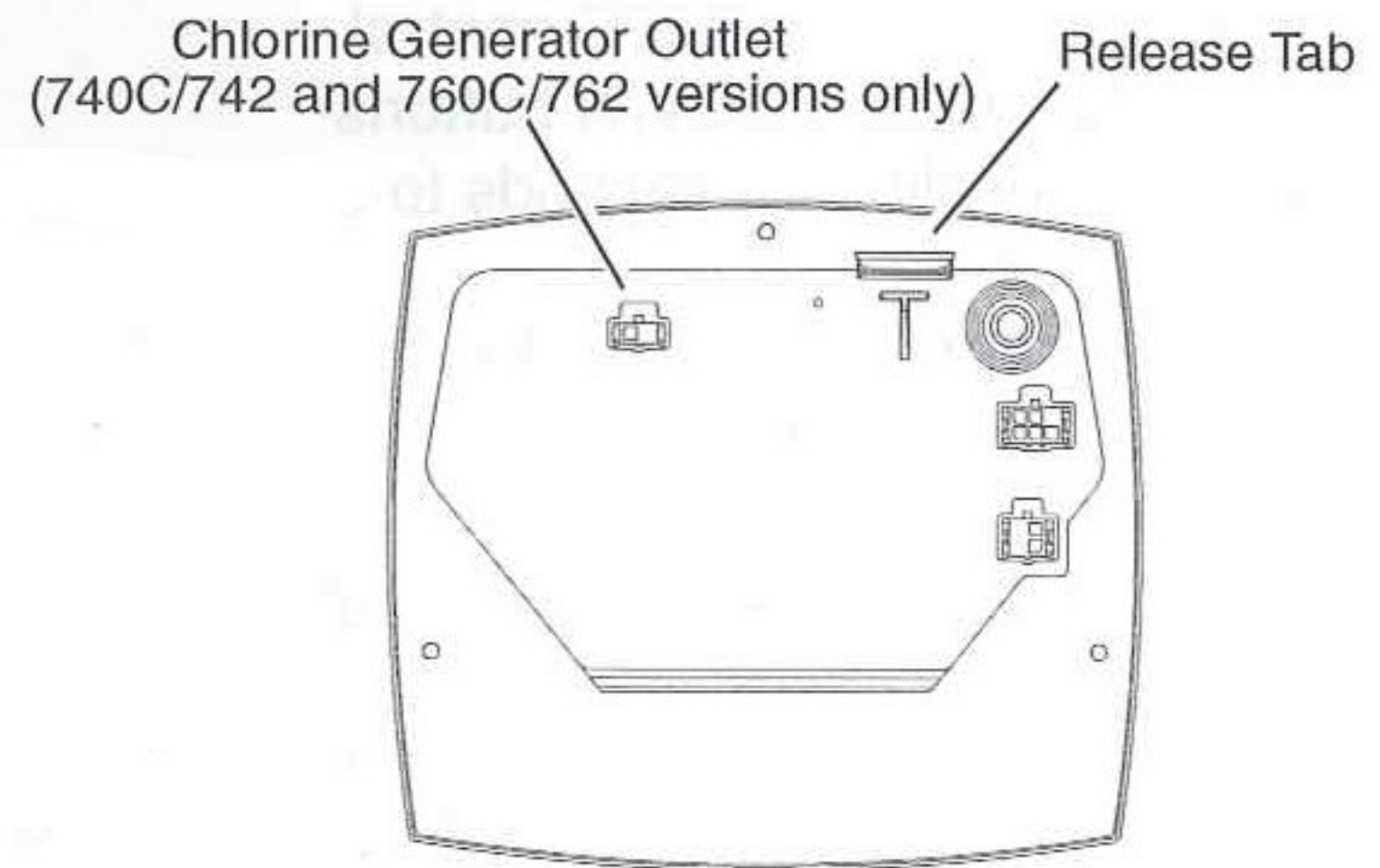
Insert the large connector of the chlorine generator cord to the end of the refill flow control. The connector is keyed to be installed in only one direction. Press it in firmly to make sure there is good contact.

Step 5

Reconnect power to the Logix control and reinstall the control to the valve. For 740C and 760C controls, proceed to Step 6. For 742C and 762C controls, proceed to Step 7.

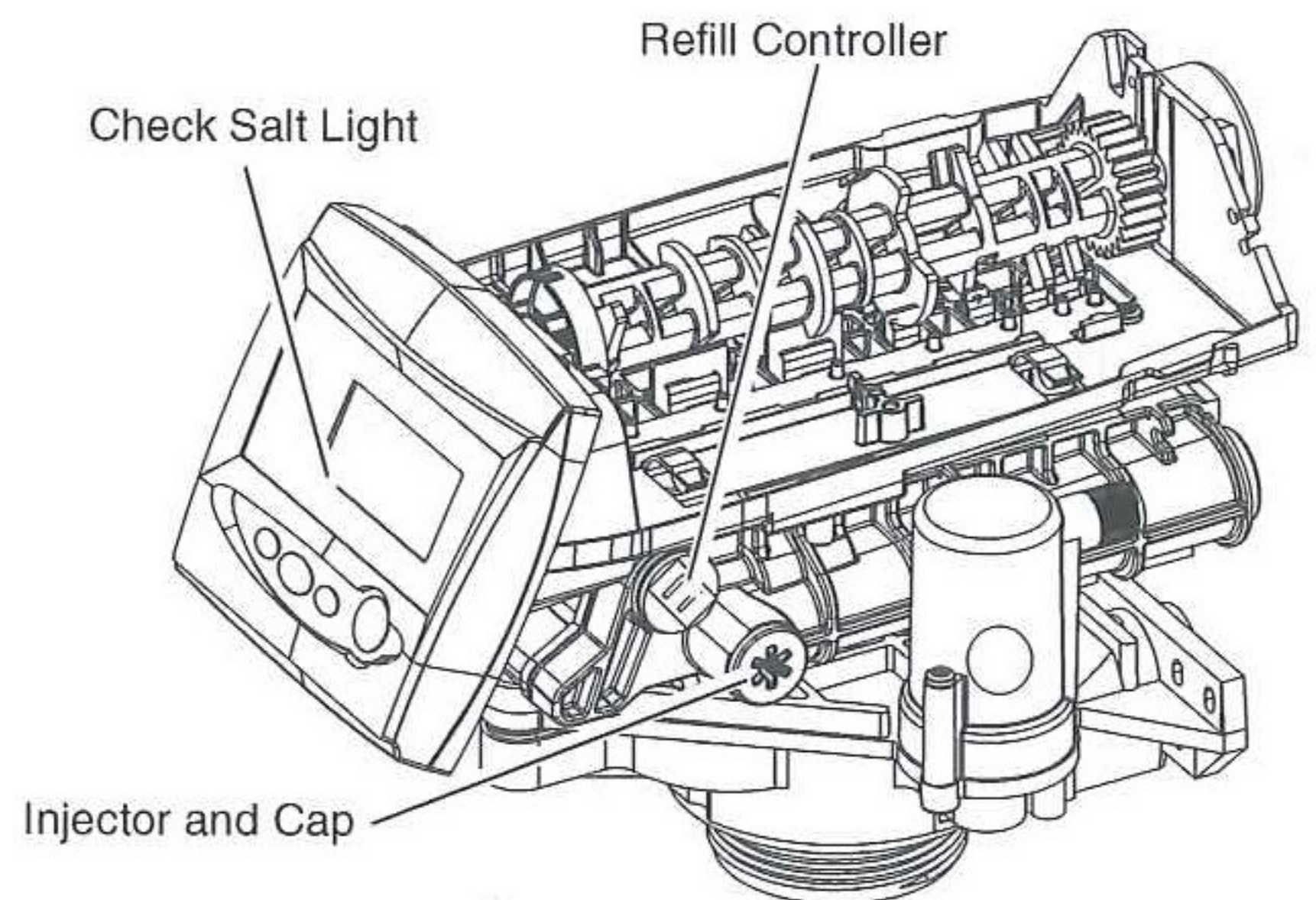
Step 6 740C/760C Programming

No programming is necessary for the chlorine generator to work properly on the 740C/760C. After the chlorine generator senses regenerant for the first time it will be functional. There is a check salt light on the front of the Logix control that will illuminate when there is no regenerant present during the regenerant draw.



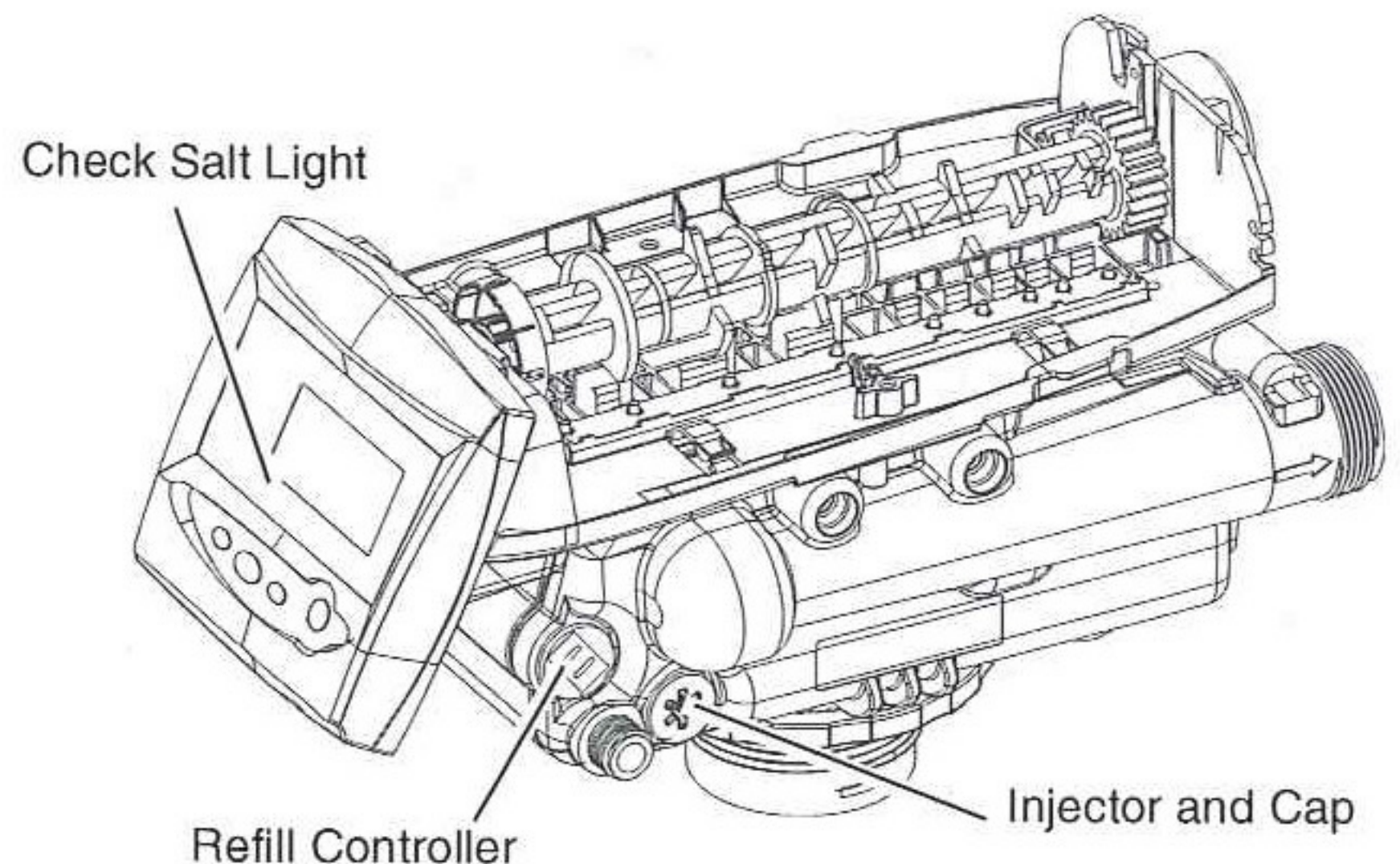
Back of Logix Control

Figure 1



255 Valve Identification

Figure 2



Performa Valve Identification

Figure 3

Step 7 742/762 Programming

To activate the chlorine generator/salt detector on the 742C/762C, follow these instructions:

1. Power up the 742C/762C control.
2. Press the UP and DOWN buttons simultaneously for 5 seconds to enter Level II programming.
3. Scroll to parameter P13 using the DOWN button. The controller will display the previous setting.
4. Press the SET button. The display will begin to flash.
5. Set to one of the following settings as desired:
 - 0 = chlorine generator/salt detector disabled.
 - 1 = salt detector enabled.
 - 2 = chlorine generator with salt detector enabled.
6. Once the correct setting above is selected, press SET to enter your setting. After 30 seconds the controller will return to normal operation mode.

Summary

The chlorine generator feature is constantly checking for salt and will produce chlorine throughout the regeneration process. This automatic monitoring system will only produce chlorine when a salt/regenerant is available in the brine line.

The system will produce up to a maximum of 4 ppm of chlorine. This system is not designed for whole-system disinfection and is not designed for use with special disinfection medias that require chlorine for proper application. This system provides chlorine for aesthetic chlorination of media beds.

The check salt light will illuminate whenever the brine concentration falls below 5 to 7 salometer point.

NOTE: Ensure that the refill rate of the probe assembly matches the original refill flow control assembly.