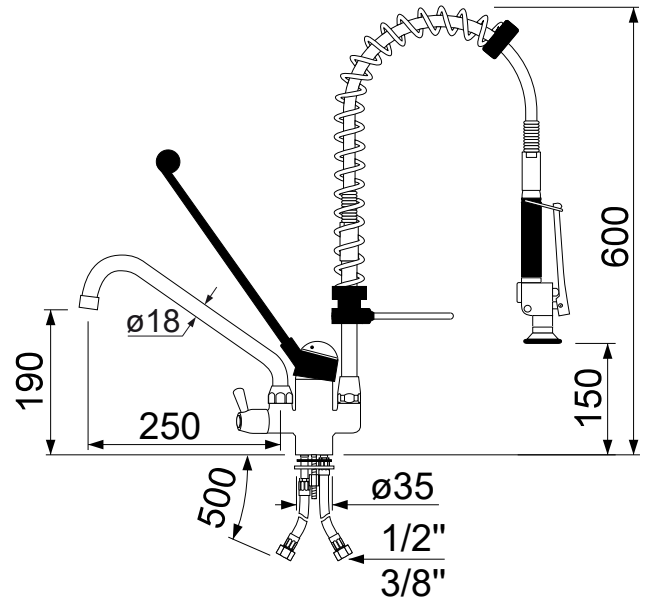


Item-No. 545084



Technical Data

version	with single lever monobloc tap
type	Classic Short Line
cartridge	ceramic cartridge \varnothing 40mm
handle type	lever handle

description	with swivel spout 250mm
connection	1/2" - 3/8"
hose length	500mm
table opening	\varnothing 35mm

Product Information

- single lever monobloc tap chromed brass, with ceramic cartridge \varnothing 40mm with long plastic handle, table opening \varnothing 35mm, mounting thread length 50mm
- SS-hose, DN8, length 500mm, connection 1/2" (or 3/8" with adaptors), with backflow preventers, operating pressure 10bar, test pressure 32bar, burst pressure 95bar, DVGW approved
- riser pipe, stainless steel, length 200mm
- swivel spout HU-type, \varnothing 20mm, spout projection 250mm, with aerator, spout height 190mm
- shower spring, stainless steel, \varnothing 38,5mm, wire- \varnothing 6mm, with black hose protector
- durable spray gun with high flow rate, type Short Line
- mounting components, black plastic with SS shafts, incl. wall mount 230mm, can be cut to length
- shower hose, length 630mm, DN10, PVC/SS/PVC, with bend preventers, connection 1/2", operating pressure 10bar, T.max 90°C, KTW approved