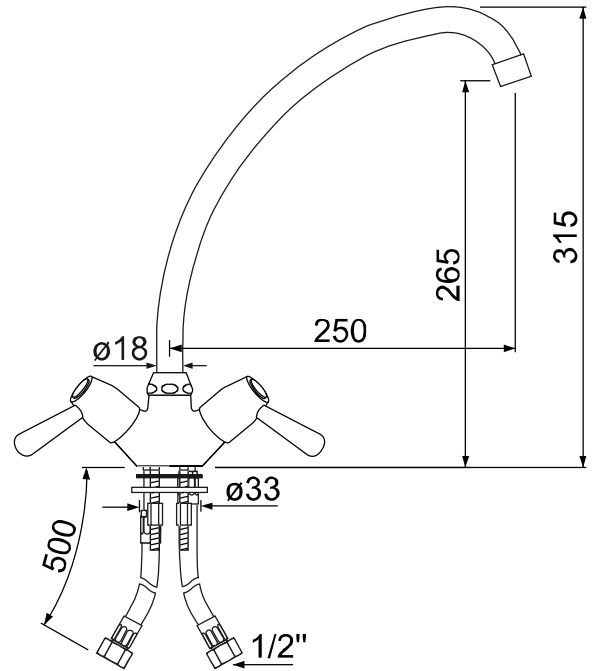


Item-No. 547831



Technical Data

version	monobloc tap
type	Classic
upper part	ceramic tap head 1/2", 90°
spout length	250mm
spout height	265mm

connection	1/2"
handle type	lever handle
table opening	ø 33mm
hose length	500mm
total height	315mm

Product Information

- monobloc tap, chromated brass, upper part 1/2" ceramic, with lever handle, rotation angle 90°, table opening ø 33mm, mounting thread length 50mm
- SS-hose, DN8, length 500mm, connection 1/2", operating pressure 10bar, test pressure 32bar, burst pressure 95bar, DVGW approved
- spout, HU-type, pipe-ø 18mm, spout projection 250mm, with aerator, spout height 265mm
- total height 315mm