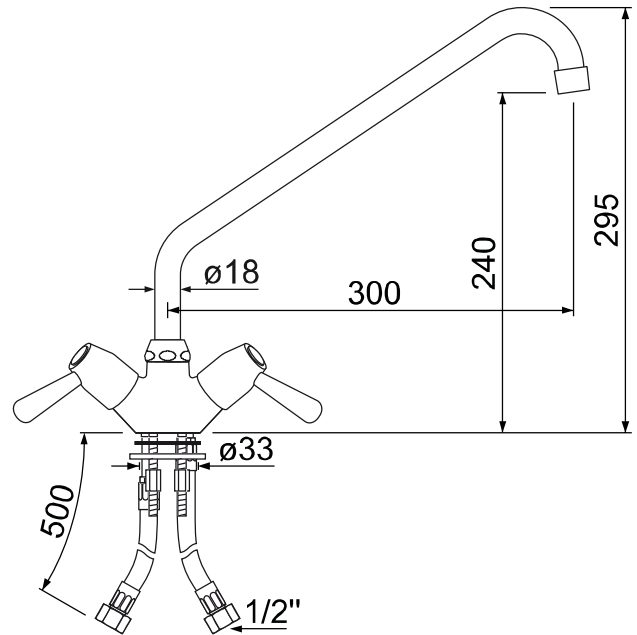


Item-No. 547843



Technical Data

version	monobloc tap
type	Classic
upper part	ceramic tap head 1/2", 90°
spout length	300mm
spout height	240mm

connection	1/2"
handle type	lever handle
table opening	$\varnothing 33\text{mm}$
hose length	500mm
total height	295mm

Product Information

- monobloc tap, chromated brass, upper part 1/2" ceramic, with lever handle, rotation angle 90°, table opening $\varnothing 33\text{mm}$, mounting thread length 50mm
- SS-hose, DN8, length 500mm, connection 1/2", operating pressure 10bar, test pressure 32bar, burst pressure 95bar, DVGW approved
- spout, HU-type, pipe- $\varnothing 18\text{mm}$, spout projection 300mm, with aerator, spout height 240mm
- total height 295mm