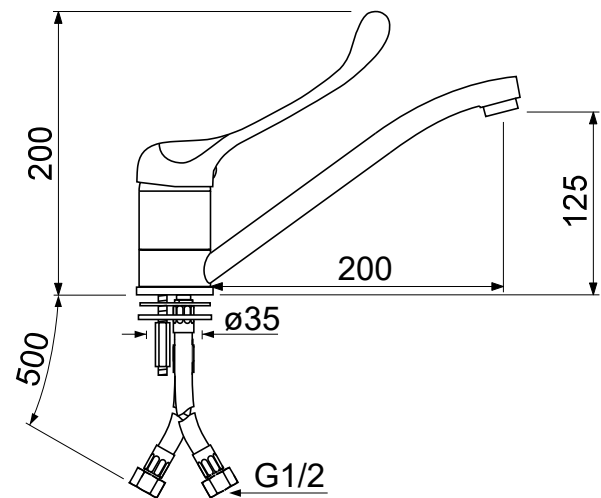


Item-No. 548034



Technical Data

version	single lever monobloc tap
type	Classic
upper part	ceramic cartridge $\varnothing 40\text{mm}$
spout length	200mm
spout height	125mm

connection	G 1/2
handle type	lever handle
table opening	$\varnothing 35\text{mm}$
hose length	500mm
total height	200mm

Product Information

- single lever monobloc tap, chromated brass, with ceramic cartridge $\varnothing 40\text{mm}$, with long, chromated brass lever, table opening $\varnothing 35\text{mm}$, with screw mounting, thread length 50mm
- flow rate of ceramic cartridge: 28l/min at 3bar
- CNS-flex hose DN8, length 500mm, connection G1/2, DVGW-approved, operating pressure 10bar, test pressure 32bar, burst pressure 95bar
- swivel spout with aerator, spout length 200mm, spout height 125mm
- total height 200mm