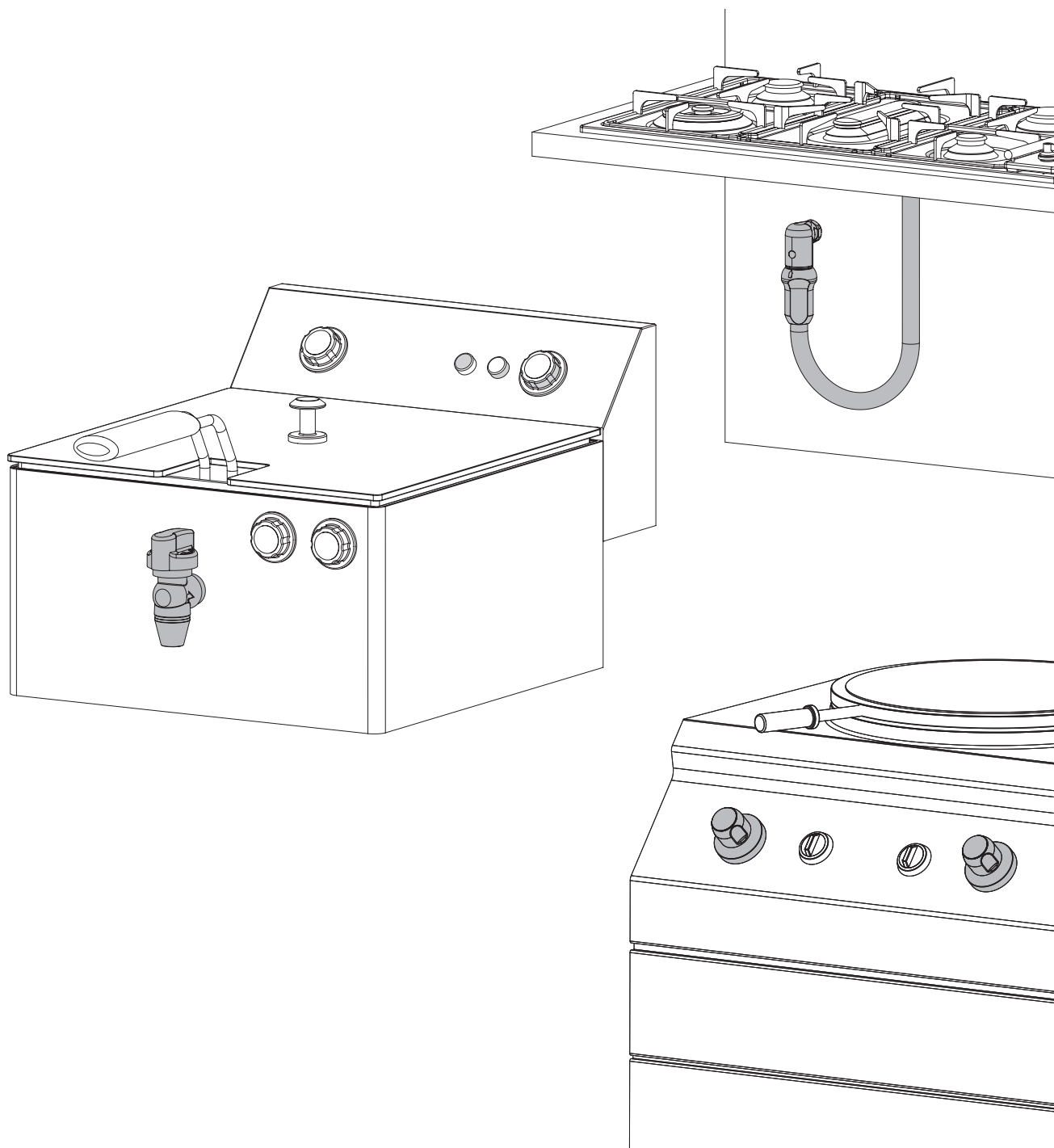


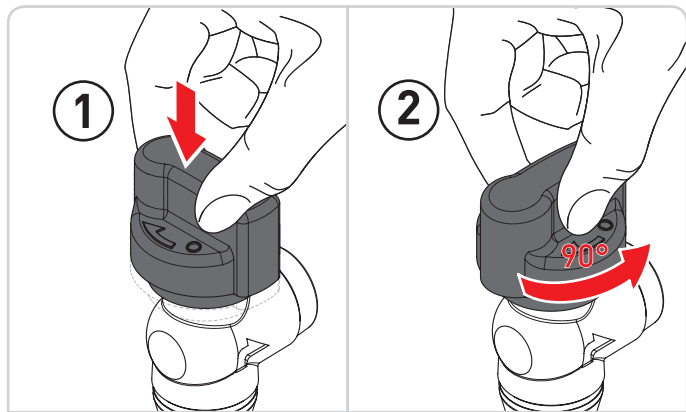
Cocks and valves for professional stoves



G2400ST Drain cock 90° with safety handle "TECO BLOCK"

SPECIFICATIONS

Operating temp. **180 °C max**
 Connection **Threaded EN10226-1**



TECO BLOCK

Valves G2, fitted with the safety handle TECO BLOCK, allow for locking of the valve in closed position so as to avoid dangerous accidental openings.

The valve may only be opened by pressing the handle [1] and subsequently turning it by 90° [2].



DESIGN

With an advanced design, G2400ST integrates with modern professional equipment.
 The body finish is polished chromium.

G2-400

Drain cock 90°

TECO BLOCK safety handle to prevent accidental opening

Inlet: thread F

Max Temp. 180 °C

D1

1/2

3/4

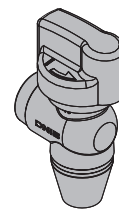
1"

code

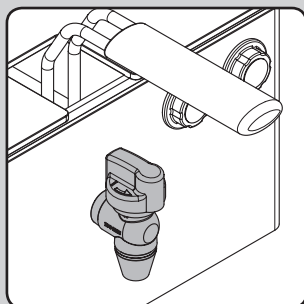
G2400CIC

G2410CST

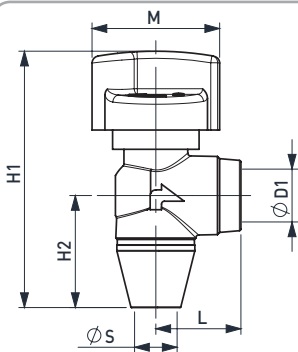
G2420CST **NEW**



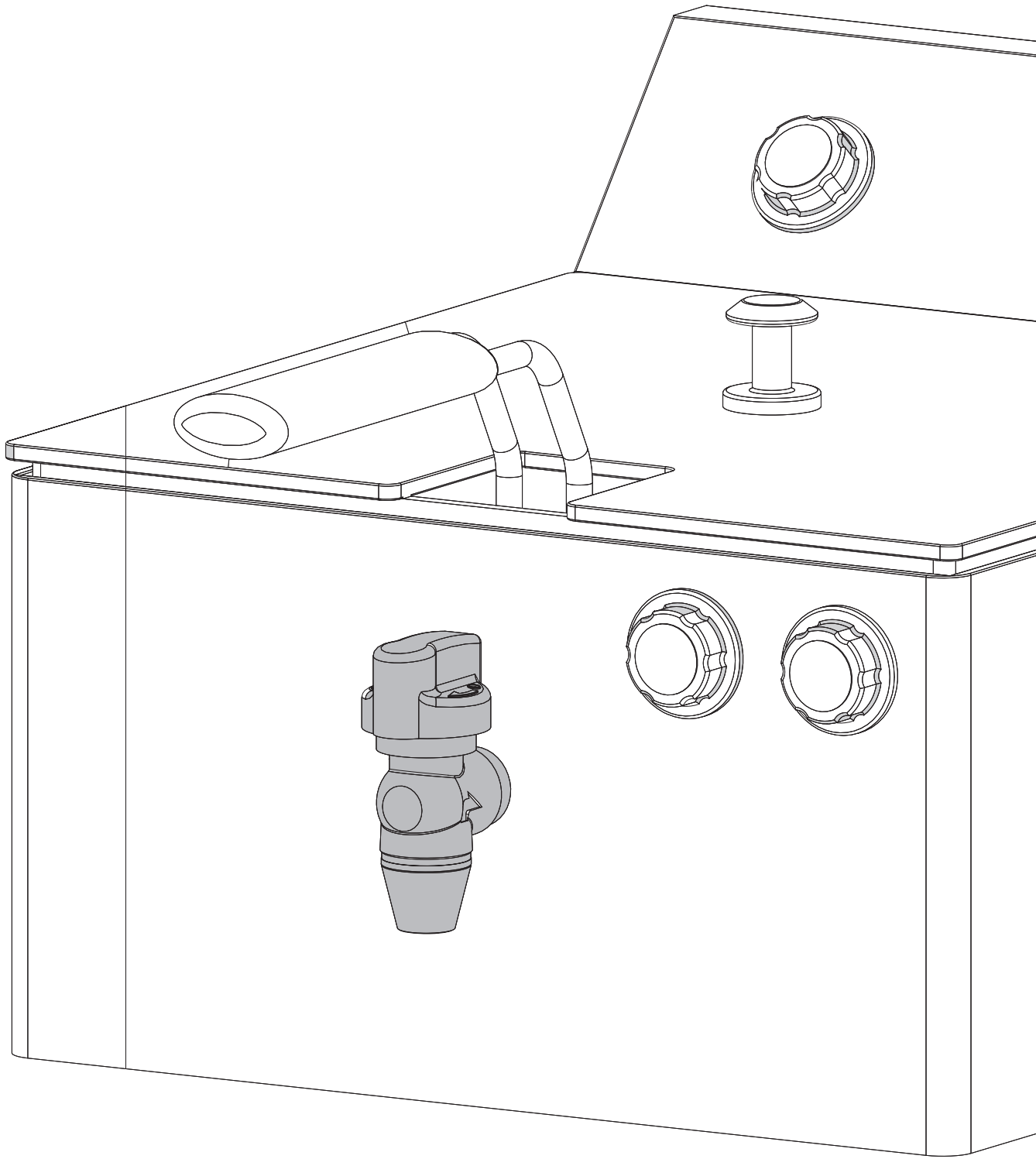
APPLICATION



+ Fryers
 + Bain-marie
 + Pasta cookers



D1	L	H1	H2	M	S
1/2"	30	90	39.5	45	15
3/4"	36	93	34	48	25
1"	43	93	34	48	25



164 TOP ENTRY Water filling cock

164 TOP ENTRY water filling cock with 90° quick closing

EN 13828



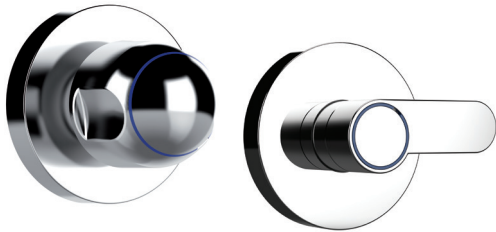
CERTIFIED

Installations for sanitary water systems should only be made in a workmanlike manner and prevent water stagnation which may cause serious problems at a microbiological level.

The series 164 meets the above requirements as it is certified according to DIN-EN 13828 (European Standard for ball valves for the supply of drinking water in buildings, adopted in Germany (DIN) with the integration of the water recirculation test W570).

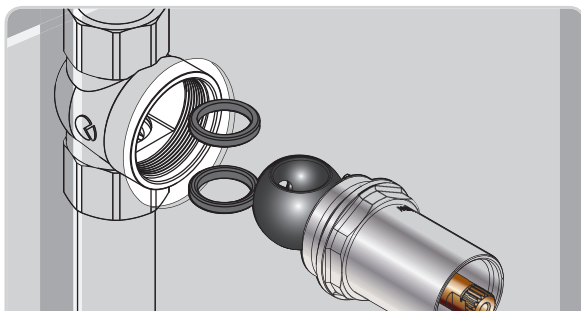
SPECIFICATION

Pressure	PN10
Operating temp.	max. 90°C
Connection	Threaded EN10226-1



DESIGN

The innovative design of the accessories integrates in modern professional equipment.

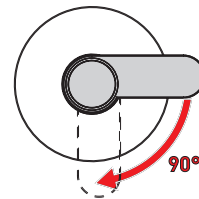
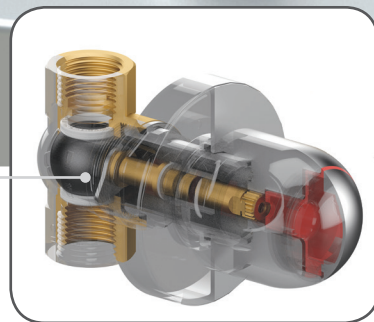


MAINTENANCE

The maintenance of the 164 is quick and easy, thanks to the exclusive **TECO CONTROL** kit.

The kit has not changed over time and is compatible with the valves already installed since 1987.

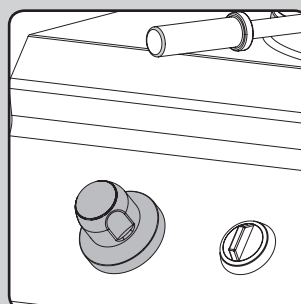
The structure of the body installed in the system is **monoblock**.



OPERATION 0-90°

The operation for **opening and closing the stopcock 164 is only 90°, and is always quick and safe.**

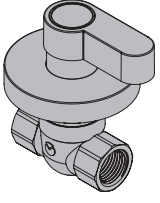
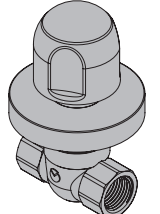
APPLICATION



- + Gas stoves
- + Pans
- + Batch freezers
- + Bratt pans
- + Pasta cookers
- + Bain-marie
- + Pasteurizers for ice cream

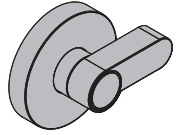
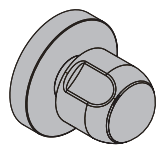
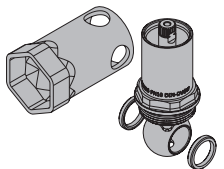

164 TOP ENTRY

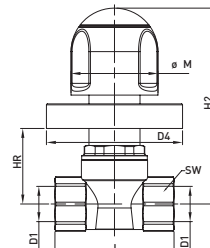
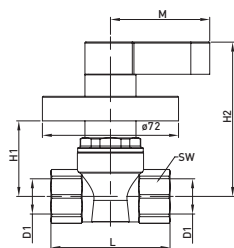
Water filling cock 164 TOP ENTRY

164 TOP ENTRY threaded LE Water filling cock with closure quick at 90° Chrome lever Input: thread F Output: thread F Max.Temp. 90°C PN 40	DN	D1 EN10226-1	code		
	15	1/2"	I4032000		
	20	3/4"	I4042000		
	25	1"	I4052000		
164 TOP ENTRY threaded MA Water filling cock with closure quick at 90° Chrome handle Input: thread F Output: thread F Max.Temp. 90°C PN 40	DN	D1 EN10226-1	code		
	15	1/2"	I4031000		
	20	3/4"	I4041000		
	25	1"	I4051000		

164 TOP ENTRY

Accessories & Spares

164 LEVER KIT Rose + Control lever	Finish	code		
	CHROME	KAI4020000		
164 HANDLE KIT Rose + Control handle	Finish	code		
	CHROME	KAI4030000		
164 TECO-CONTROL Replacement kit for ball unit + seal + maintenance wrench + screw Version GREEN with anti-lock ball	DN	code		
	15	I4099030GR		
	20	I4099040GR		
164 SEAL KIT Spare PTFE seals for ball seal (2 per package)	DN	code		
	15	5004000130		
	20	5004000140		
	25	5004000150		



DN	D1	L	H1	H2	M	SW
15	Rp 1/2"	63	30-50	82	52	27
20	Rp 3/4"	72	33-53	84	52	32
25	Rp 1"	88	38-58	102	52	41

DN	D1	L	H1	H2	M	SW
15	Rp 1/2"	63	30-50	105	46	27
20	Rp 3/4"	72	33-53	107	46	32
25	Rp 1"	88	38-53	125	46	41

R4 / RTE / RTD

Safety valve and metal pipes with bayonet connection for household gas appliances according to European standard **EN 15069 - EN 14800**

EN 15069



Serie R4 CERTIFICATA

Reference standards	EN 15069
Operating pressure	MOP 0.5
Operating temp.	-40 °C +60 °C
Heat resistance	HTB GT5 925 °C x 60'
Connections	Threaded EN 10226-1
Bayonet connection	DIN 3383-1
MAX POWER	16 Kw

FIREBAG®

The series **R4 T** is fitted with the heat actuated device which prevents gas escapes from the supply network in case of fire and thereby restricts the development of the fire itself.

It is constructed so that its activation should occur between 95 °C and 100 °C, and its function is ensured up to 925 °C for one hour.

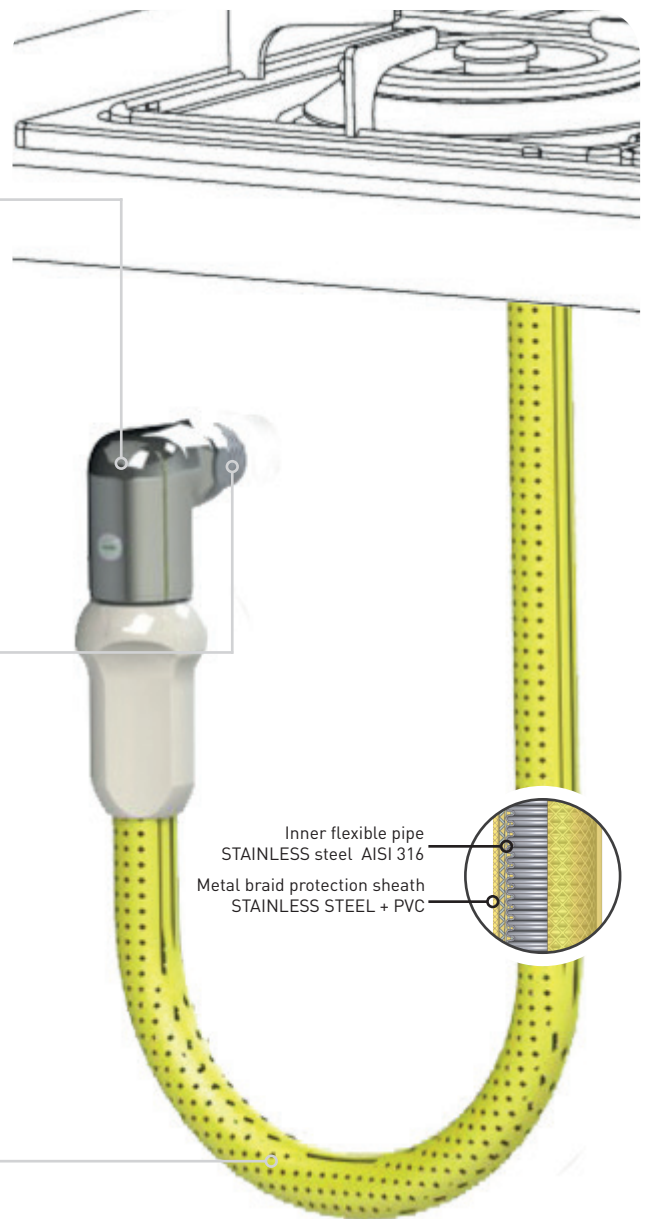
Heat resistance Firebag®	HTB GT5 925 °C x 60'
FIREBAG® tripping temp.	100 °C - 5K

EN14800



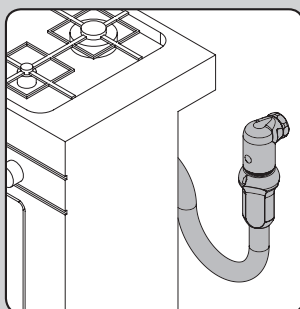
Tubo RTE CERTIFICATO

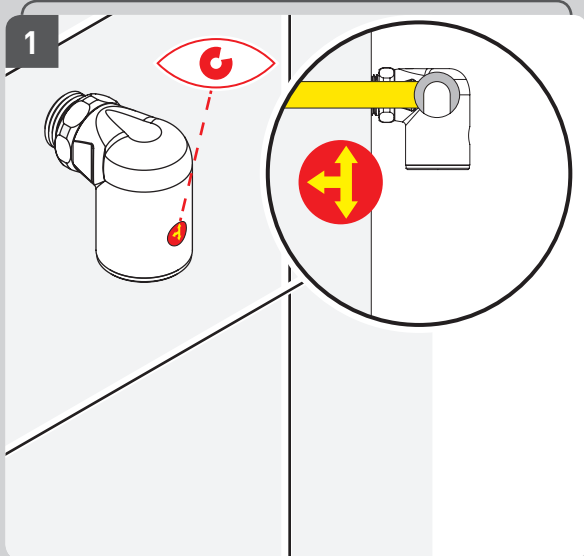
Reference standards	EN 14800
Operating pressure	MOP 0.5
Connections	Threaded EN 10226-1
Bayonet connection	DIN 3383-1
Inner pipe	Stainless steel AISI 316
Protection sheath	STAINLESS STEEL + PVC metal braid



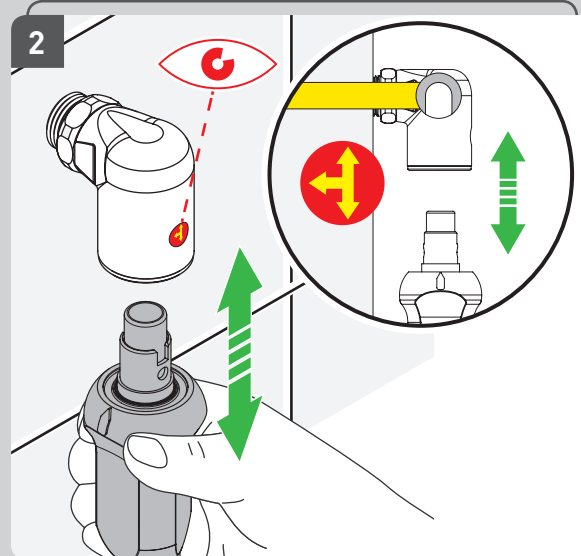
Inner flexible pipe
STAINLESS steel AISI 316
Metal braid protection sheath
STAINLESS STEEL + PVC

APPLICATION

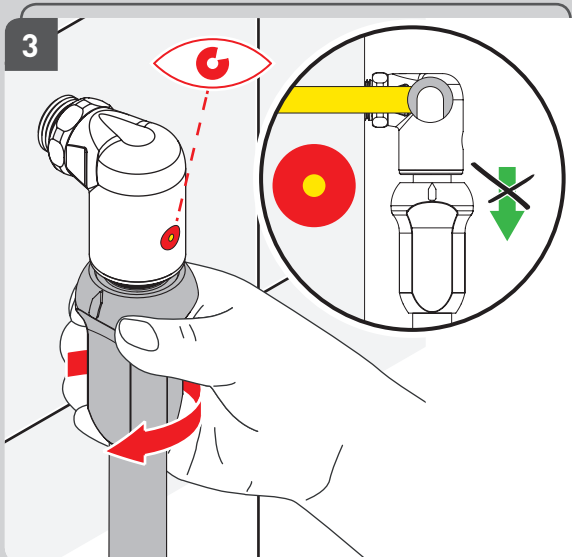




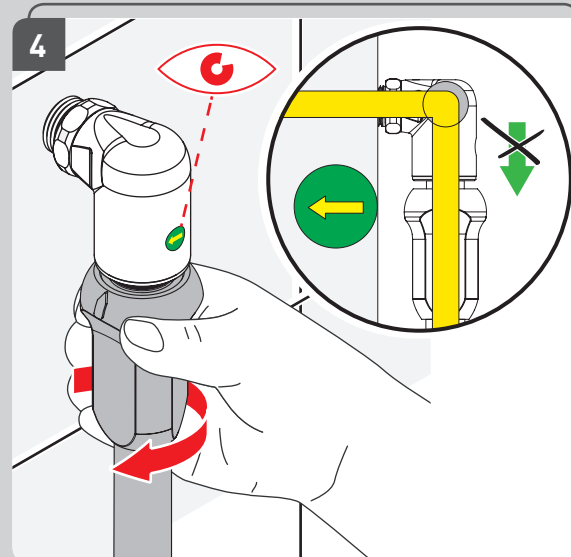
Without the **RTE** flexible pipe, the valve remains **CLOSED** and cannot be tampered with commonly used tools.



The valve may only be operated with the appropriate **quick-fitting RTE pipe**. The fitting and the removal of the flexible pipe may only occur with the valve in the **CLOSED** position.



A small clockwise rotation of the handle locks the **RTE pipe** to the valve, which still remains in the **CLOSED** position.

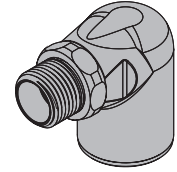


A further clockwise rotation **OPENS** the valve.

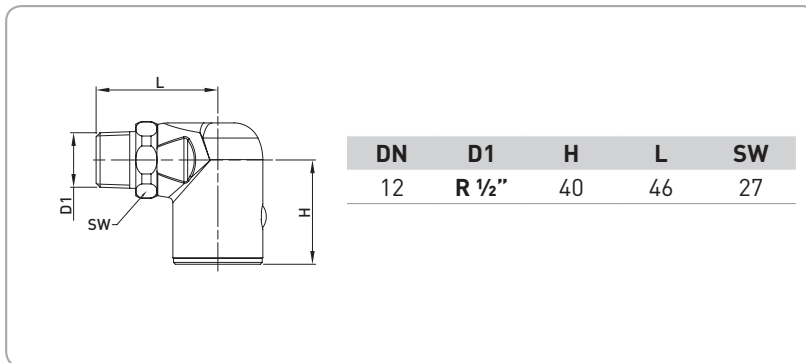
R4

Safety valves for gas household appliances

R4 T + FIREBAG® Gas safety valve EN 15069 for household appliances + heat actuated safety device Input: thread M Output: quick fitting EN 14800 A.1 Temp. -40°C +60°C MOP 0.5 HTB GT 5 925°C x 60'	DN	D1 EN10226-1	code		
	12	1/2"	R4TAS030C00		



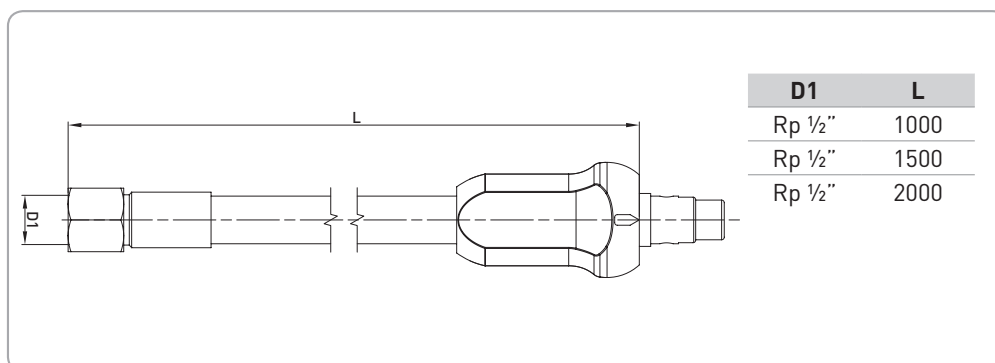
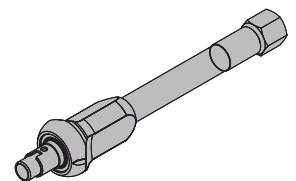
FIREBAG®

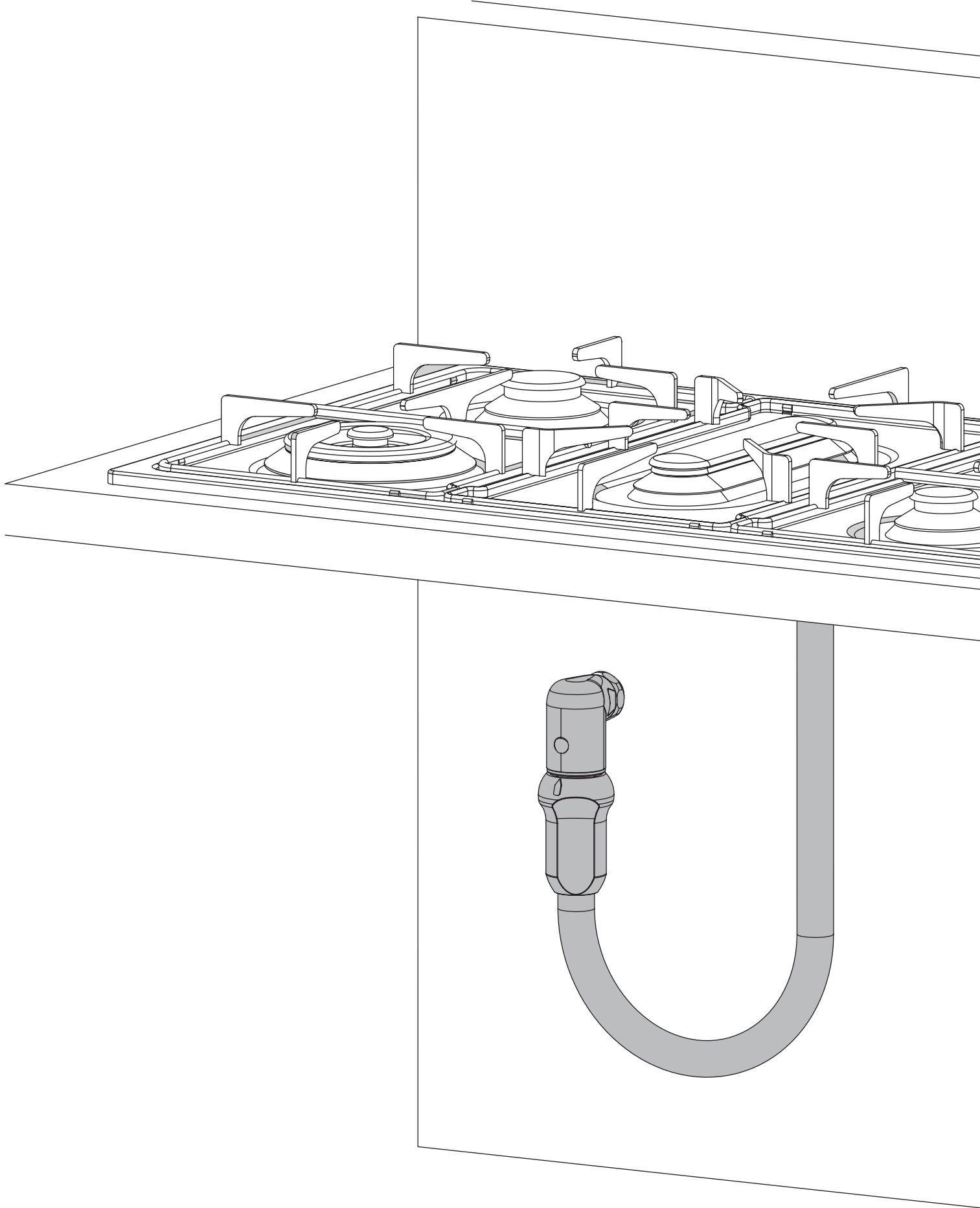


RTE

Metal pipes for gas household appliances

RTE Flexible metal pipe EN 14800 for connection of gas household appliances Input: quick fitting EN 14800 A.1 Output: thread F Inner pipe: STAINLESS steel AISI 316 Protection sheath: metal braid Stainless steel + PVC (transparent sheath) Max.Temp. 120°C MOP 0.5	Dim. mm	D1 ISO 228-1	code		
	L. 1000	1/2"	RE010300		
	L. 1500	1/2"	RE010500		
	L. 2000	1/2"	RE010600		





G2 T

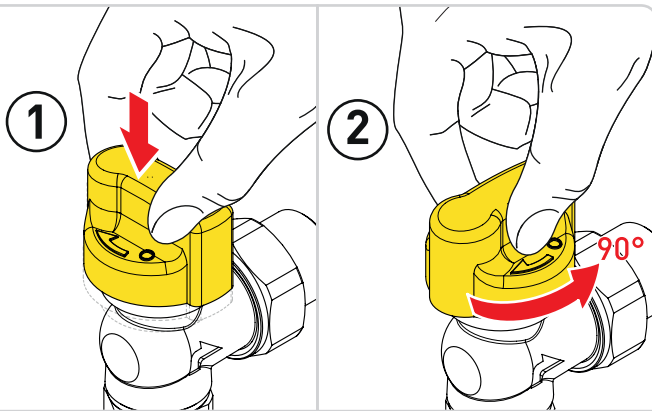
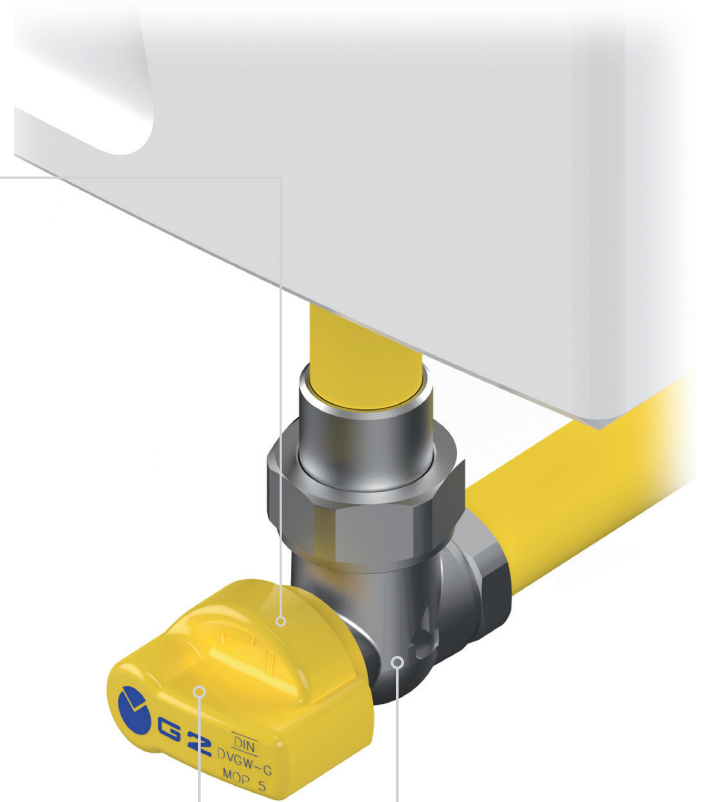
Shut-off valve for the connection of gas appliances with FIREBAG®

EN 331



CERTIFIED series G2 T

Reference standards	EN 331
Operating pressure	MOP 5
Operating temp.	-20°C +60 °C
Connections	Threaded EN 10226-1
Fields of application for	all types of gas as specified in EN 437 and DVGW G260/1 (methane, butane, propane).



TECO BLOCK

The valves **G2**, fitted with the safety handle **TECO BLOCK**, allow for locking of the valve in closed position so as to avoid dangerous accidental openings.

The valve may only be opened by pressing the handle [1] and subsequently turning it by 90° [2].

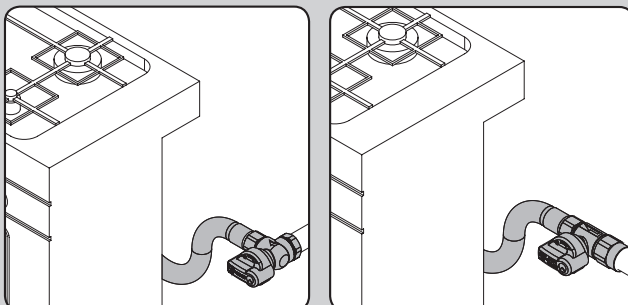
FIREBAG®

The series G2 T is fitted with the heat actuated device which prevents gas escapes from the supply network in case of fire and thereby restricts the development of the fire itself.

It is constructed so that its activation should occur between 95 °C and 100 °C, and its function is ensured up to 925 °C for one hour.


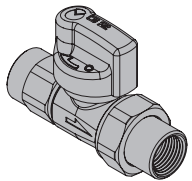

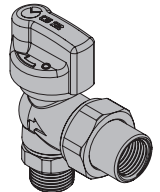
Resistenza termica FIREBAG® HTB GT5 925°C x60'
FIREBAG® tripping temp. 100 °C - 5K

APPLICATION




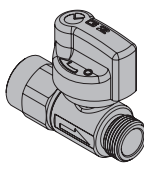

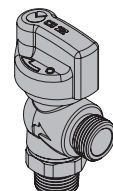
G2 T + FIREBAG®

Shut-off valve for the connection of gas appliances + FIREBAG®

G2 T + FIREBAG® Straight ball valve for gas appliances + heat actuated safety device TECO BLOCK safety handle to prevent accidental opening Input: thread F Output: thread F conical seal fitting DIN 3436 Temp. -20°C +60°C MOP 5 HTB GT5 925°C x 60'	DN	D1 EN10226-1	D2 EN10226-1	code	  FIREBAG®
	15	1/2"	1/2"	G2T106C00	
	20	3/4"	3/4"	G2T107C00	
	25	1"	1"	G2T110C00	
G2 T + FIREBAG® Ball valve 90° for gas appliances + heat actuated safety device TECO BLOCK safety handle to prevent accidental opening Input: thread M Output: thread F conical seal fitting DIN 3436 Temp. -20°C +60°C MOP 5 HTB GT5 925°C x 60'	DN	D1 EN10226-1	D2 EN10226-1	code	  FIREBAG®
	15	1/2"	1/2"	G2T406C00	
	20	3/4"	3/4"	G2T407C00	
	25	1"	1"	G2T410C00	

G2 T FLEX+ FIREBAG®

Shut-off valve for gas flexible pipes + FIREBAG®

G2 T Flex + FIREBAG® Straight ball valve for gas flexible pipes + heat actuated safety device TECO BLOCK safety handle to prevent accidental opening Input: thread F Output: thread M ISO 228 Temp. -20°C +60°C MOP 5 HTB GT5 925°C x 60'	DN	D1 EN10226-1	D2 ISO 228	codice	  FIREBAG®
	15	1/2"	1/2"	G2T100C00	
G2 T Flex + FIREBAG® Valvola a sfera 90° per tubi flessibili gas + dispositivo di sicurezza ad attivazione termica TECO BLOCK safety handle to prevent accidental opening Input: thread M Output: thread M ISO 228 Temp. -20°C +60°C MOP 5 HTB GT5 925°C x 60'	DN	D1 EN10226-1	D2 ISO 228	codice	  FIREBAG®
	15	1/2"	1/2"	G2T400C00	

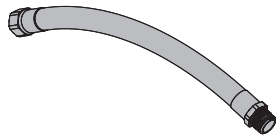
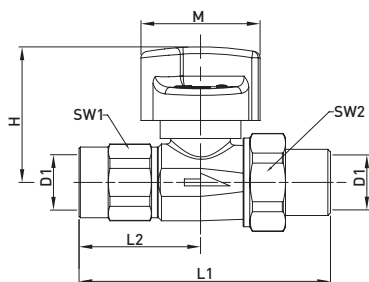
FLEX-G

Flexible pipes for the connection of gas appliances

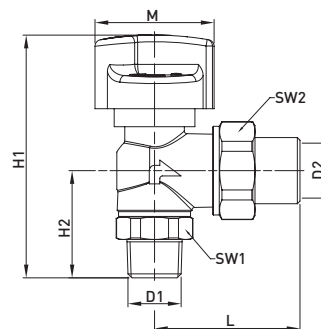
FLEX-G Flexible pipes for the connection of gas appliances EN 14800 + sealing gasket Connection: swivel nut F 1/2" ISO 228 Max.Temp. 135°C MOP 0.5	Dim.	code		
	L 500mm	FLG0100100		
	L 750mm	FLG0100200		
	L 1000mm	FLG0100300		
	L 1250mm	FLG0100400		
	L 1500mm	FLG0100500		
L 2000mm	FLG0100600			



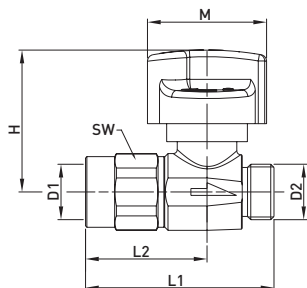
FLEX-G Flexible pipes for the connection of gas appliances EN 14800 + sealing gasket Connection: swivel nut F 1/2" ISO 228 Threaded union M R1/2" Max.Temp. 135°C MOP 0.5	Dim.	code		
	L 500mm	FLG0110100		
	L 750mm	FLG0110200		
	L 1000mm	FLG0110300		
	L 1250mm	FLG0110400		
	L 1500mm	FLG0110500		
L 2000mm	FLG0110600			

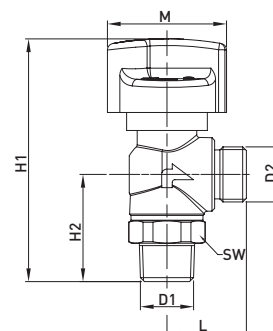
DN	D1	L1	L2	M	H	SW1	SW2
15	Rp 1/2"	95	46	45	56	27	34
20	Rp 3/4"	109	54	45	58	32	41
25	Rp 1"	136	69	48	63	41	48



DN	D1	L	H1	H2	M	SW1	SW2
15	Rp 1/2"	55	94	41	45	27	34
20	Rp 3/4"	64	98	43	45	32	41
25	Rp 1"	81	110	50	48	41	48



DN	D1	D2	L1	L2	M	H	SW1
15	Rp 1/2"	G 1/2"	59	34	45	56	27



DN	D1	D2	L	H1	H2	M	SW1
15	R 1/2"	G 1/2"	30	94	41	45	27

T4

Removable shut-off ball valve TOP ENTRY

EN 13828



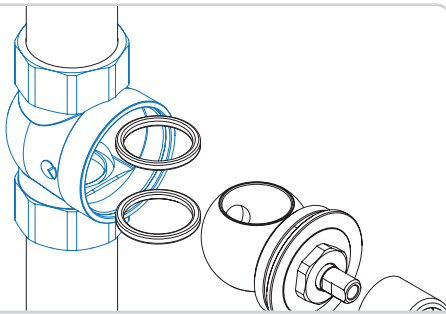
CERTIFIED

Installations for sanitary water systems should only be made in a workmanlike manner and prevent water stagnation which may cause serious problems at a microbiological level.

The series T4 meets the above requirements as it is certified according to DIN-EN 13828 (European Standard for ball valves for the supply of drinking water in buildings, adopted in Germany (DIN) with the integration of the water recirculation test W570).

SPECIFICATION

Pressure	PN10
Operating temp.	max. 90°C
Connection	Threaded EN10226-1

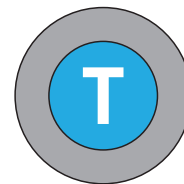


MAINTENANCE

The maintenance of the T4 is quick and easy, thanks to the exclusive **TECO CONTROL** kit.

The kit has not changed over time and is compatible with the valves already installed since 1987.

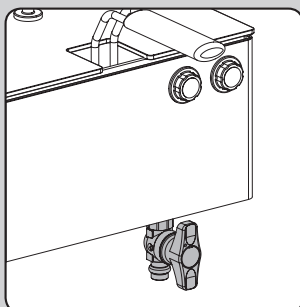
The structure of the body installed in the system is **monoblock**.

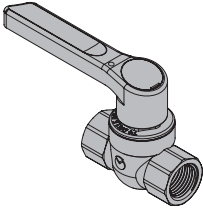


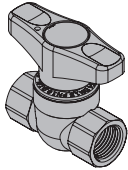
FULL BORE

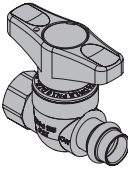
The shut-off valves T4 are **FULL** and straight bore

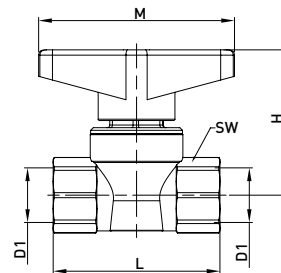
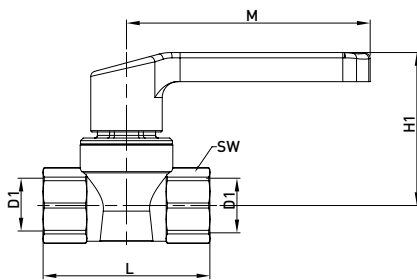
APPLICATION



T4 lever Shut-off ball valve TOP ENTRY Lever Input: thread F Output: thread F Max.Temp. +150°C PN 40	DN	D1 EN10226-1	code		
	15	1/2"	T4040300		
	20	3/4"	T4040400		
	25	1"	T4040500		
	32	1 1/4"	T4040600		
	40	1 1/2"	T4040700		
50	2"	T4040800			

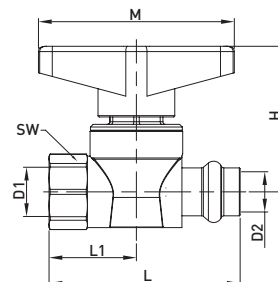
T4 handle Shut-off ball valve TOP ENTRY Handle Input: thread F Output: thread F Max.Temp. +150°C PN 40	DN	D1 EN10226-1	codice		
	15	1/2"	T4041300		
	20	3/4"	T4041400		

T4 UNIPRESS RW Shut-off ball valve TOP ENTRY Handle Input: thread F Output: drain Max.Temp. +150°C PN 40	DN	D1 EN10226-1	D2	code		
	15	1/2"	ø18	T403AY0200		
	20	3/4"	ø22	T404AY0100		
	25	1"	ø28	T405AY0100		



COD.	DN	D1	L	H1	M	SW
T4041300	15	Rp 1/2"	63	55	74	27
T4041400	20	Rp 3/4"	73	58	74	32

COD.	DN	D1	L	H1	M	SW
T4040300	15	Rp 1/2"	63	58	92	27
T4040400	20	Rp 3/4"	72	61	92	32
T4040500	25	Rp 1"	83	71	124	41
T4040600	32	Rp 1 1/4"	100	76	124	50
T4040700	40	Rp 1 1/2"	110	83	147	55
T4040800	50	Rp 2"	131	88	147	70



COD.	DN	D1	D2	L	L1	H	M	SW
T403AY0200	15	18	Rp 1/2"	74	32	55	74	30
T404AY0100	20	22	Rp 3/4"	82	36	58	74	37
T405AY0100	25	28	Rp 1"	97	44	66	95	41

LEGAL OFFICE

25040 Camignone di Passirano (BS) Via S. Caterina, 8 | ITALIA

OPERATIVE OFFICE

25050 Provaglio d'Iseo (BS) Loc.Noccole Via S. Pertini | ITALIA

CONTACTS

T. +39.30.68.50.510

F. +39.30.68.50.555

info@tecosrl.it