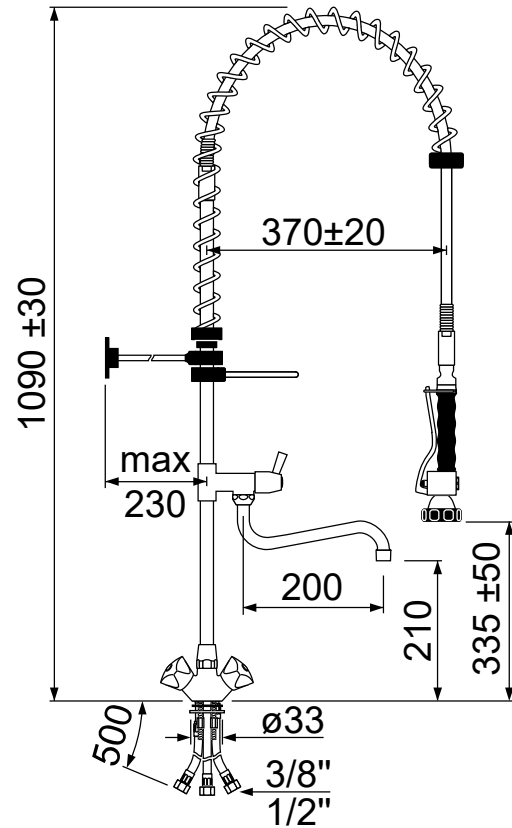


Item No. 542569



## Technical Data

version	with monobloc tap low pressure
type	Classic
upper part	tap head 1/2"
handle type	triangular handle

description	with swivel spout 200mm
connection	1/2" - 3/8"
hose length	500mm
table opening	ø 33mm

## Product Information

- monobloc tap low pressure, chromed brass, tap head 1/2" with triangular handle, table opening ø 33mm, mounting thread length 50mm
- SS-hose, DN8, length 500mm, connection 1/2" (3/8" with adaptors), with backflow preventers, operating pressure 10bar, test pressure 32bar, burst pressure 95bar, DVGW approved
- riser pipe, stainless steel, length 715mm, with ceramic upper part, rotation angle 90°
- swivel spout S-type, ø 18mm, spout projection 200mm, with aerator, spout height 210mm
- shower spring, stainless steel, ø 38,5mm, wire-ø 6mm, with black hose protector
- durable spray gun with high flow rate (16l/min at 3bars), type Classic Line
- mounting components black plastic with SS shafts, including wall mount 230mm, (can be cut to length)
- shower hose, length 1000mm, DN10, PVC/SS/PVC, with bend preventers, connection 1/2", operating pressure 10bar, T.max 90°C, KTW approved