

**T&S BRASS AND BRONZE WORKS, INC.**

2 Saddleback Cove / P.O. Box 1088  
Travelers Rest, SC 29690

Model No.

**EMPV-2DLN-00**

Item No.

Travelers Rest, SC: 800-476-4103 • Simi Valley, CA: 800-423-0150 • Fax: 864-834-3518 • www.tsbrass.com

This Space for Architect/Engineer Approval

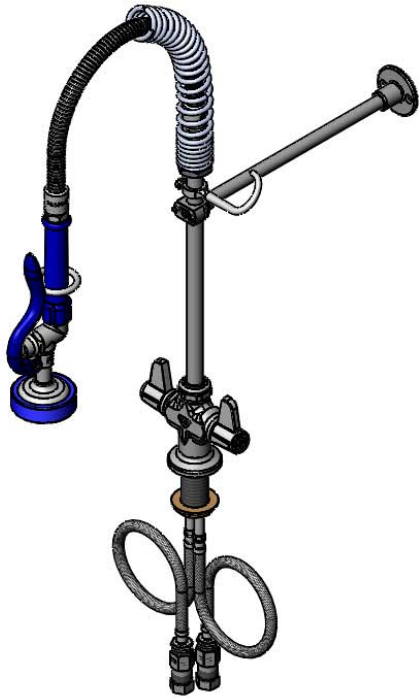
Job Name \_\_\_\_\_ Date \_\_\_\_\_

Model Specified \_\_\_\_\_ Quantity \_\_\_\_\_

Customer/Wholesaler \_\_\_\_\_

Contractor \_\_\_\_\_

Architect/Engineer \_\_\_\_\_



Items Not Shown  
For Clarity

EB-0024-H  
24" Stainless Steel  
Hose w/ Polyurethane  
Inner Hose & Handle

EB-0107  
High Flow  
Blue Spray  
Valve

\*8 3/16"  
[226mm]

Finger  
Hook

B-0109-03  
12" Adjustable  
Wall Bracket

\*24 5/8"  
[627mm]

000366-40  
3/8" NPT  
x 12" Riser

\*7 3/8"  
[181mm]

Mounting  
Surface

18" [460mm] Flexible  
Inlets w/ 15mm  
Couplings Furnished  
w/ Check Valve

Compression Fittings  
For 15mm O.D.  
Copper Tubing

EasyInstall Lock Nut  
& Bushing

Ceramic Cartridges  
w/ Lever Handles  
& Color Coded  
Screws

1 7/8"  
Maximum  
Thickness

Rough-In Requirement:  
Ø 1 1/2" [38mm] Mounting Hole

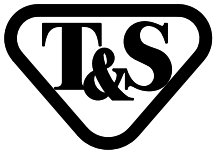
\* Dimensions Will Vary ±1" Each Installation

Product Specifications:

EasyInstall International Pre-Rinse Unit:  
Single Deck Mount Mixing Faucet, Compact Spring & Flexible Stainless Steel  
Hose, High Flow Spray Valve, 12" Wall Bracket & Lever Handles

Product Compliance:

2019 DOE PRSV Non-Compliant  
Product Not Designed/Intended for  
Commercial Warewashing in North America



# T&S BRASS AND BRONZE WORKS, INC.

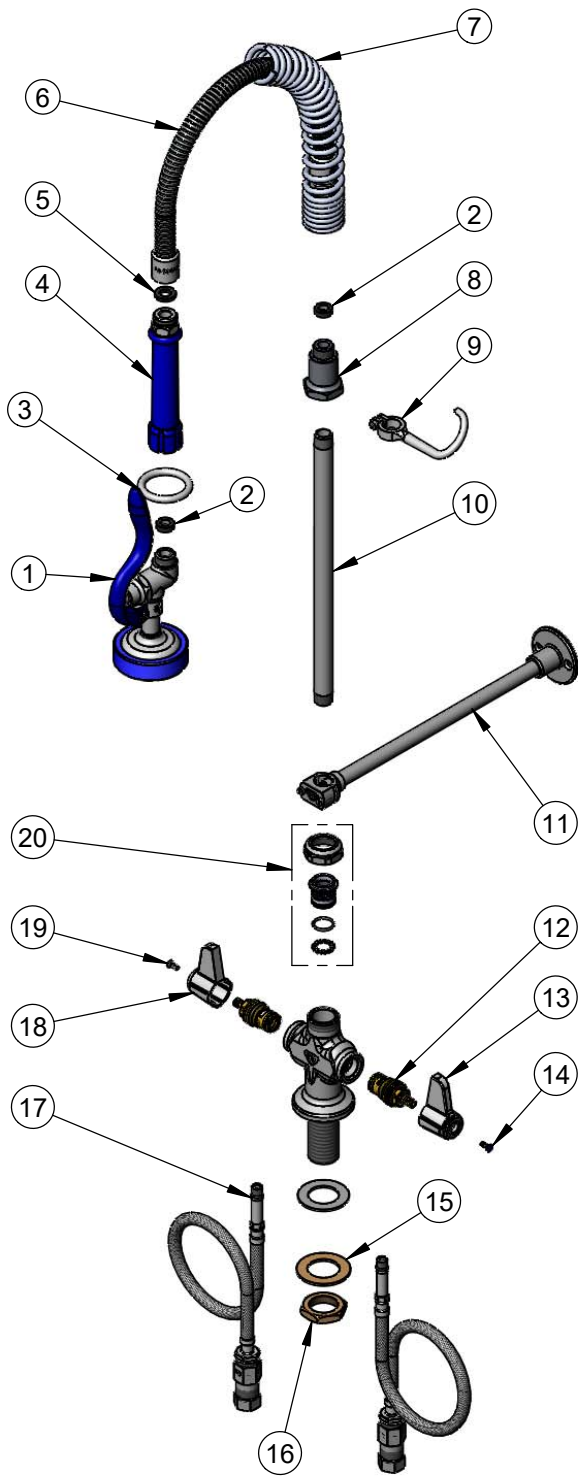
2 Saddleback Cove / P.O. Box 1088  
Travelers Rest, SC 29690

Model No.

**EMPV-2DLN-00**

Item No.

Travelers Rest, SC: 800-476-4103 • Simi Valley, CA: 800-423-0150 • Fax: 864-834-3518 • www.tsbrass.com



ITEM NO.	SALES NO.	DESCRIPTION
1	EB-0107	High Flow Blue Spray Valve
2	010476-45	#27 Washer
3	000907-45	Hold Down Ring
4	011482-40	Blue Grip Handle
5	010475-45	Washer, B-0100 Hose Barrel
6	B-0024-H2A	24" Flex Hose Less handle
7	016795-45	Compact Pre-Rinse Spring
8	000821-40	Spring Body
9	004R	Finger Hook
10	000366-40	3/8" x 12" Riser
11	B-0109-03	12" Wall Bracket
12	013788-45	Ceramic Cartridge, LTC
13	E-HDL-L	EU Lever Handle & Blue/Red Screws
14	014455-45	Blue Lever Handle Screw (10 Pk)
15	002290-45	Shank Washer
16	000965-45	Shank Lock Nut
17	012436-45	15mm Flex Connector Hose
18	013787-45	Ceramic Cartridge, RTC
19	014456-45	Red Lever Handle Screw (10 Pk)
20	EU-EZ-K	Euro EasyInstall Retro-Fit Kit

**Product Specifications:**

EasyInstall International Pre-Rinse Unit:  
Single Deck Mount Mixing Faucet, Compact Spring & Flexible Stainless Steel  
Hose, High Flow Spray Valve, 12" Wall Bracket & Lever Handles

**Product Compliance:**

2019 DOE PRSV Non-Compliant  
Product Not Designed/Intended for  
Commercial Warewashing in North America