



T&S BRASS AND BRONZE WORKS, INC.
 2 Saddleback Cove / P.O. Box 1088
 Travelers Rest, SC 29690

Model No.
EA-2DHF14-600

Item No.

Travelers Rest, SC: 800-476-4103 • Simi Valley, CA: 800-423-0150 • Fax: 864-834-3518 • www.tsbrass.com

This Space for Architect/Engineer Approval

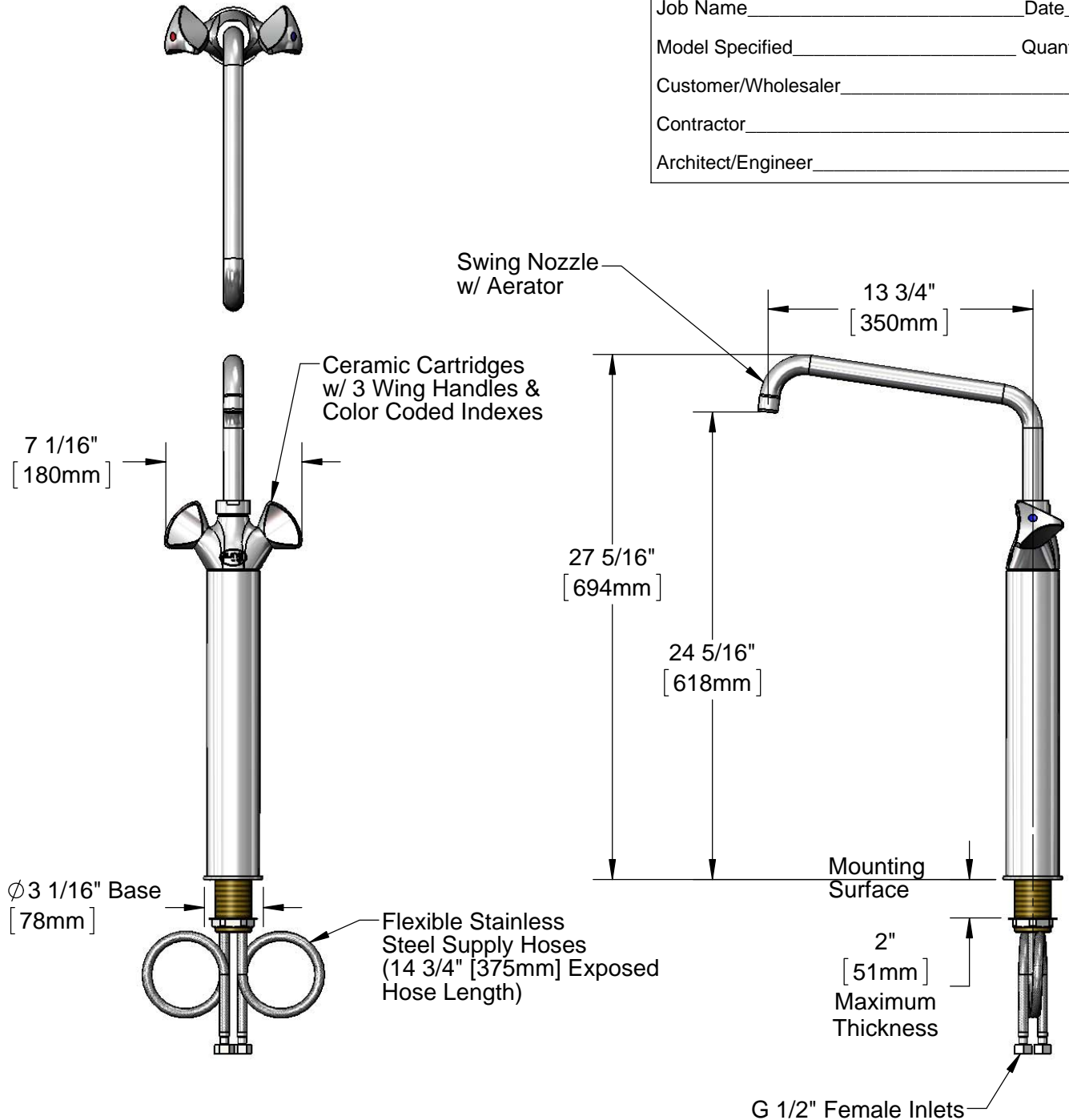
Job Name _____ Date _____

Model Specified _____ Quantity _____

Customer/Wholesaler _____

Contractor _____

Architect/Engineer _____



Rough-In Requirement:
 Ø 2" [51mm] Mounting Hole

Product Specifications:
 Two Handle Deck Mount High Flow Pot Filler Faucet w/
 14" Swing Nozzle w/ 618mm Clearance, Ceramic Cartridges,
 3 Wing Handles & G 1/2" Flexible Stainless Steel Supply Hoses

Drawn DMH	Checked KJG	Approved JHB
Scale: 1:8		Date: 07/11/13