



T&S BRASS AND BRONZE WORKS, INC.
 2 Saddleback Cove / P.O. Box 1088
 Travelers Rest, SC 29690

Model No.
EA-2DF14

Item No.

Travelers Rest, SC: 800-476-4103 • Simi Valley, CA: 800-423-0150 • Fax: 864-834-3518 • www.tsbrass.com

This Space for Architect/Engineer Approval

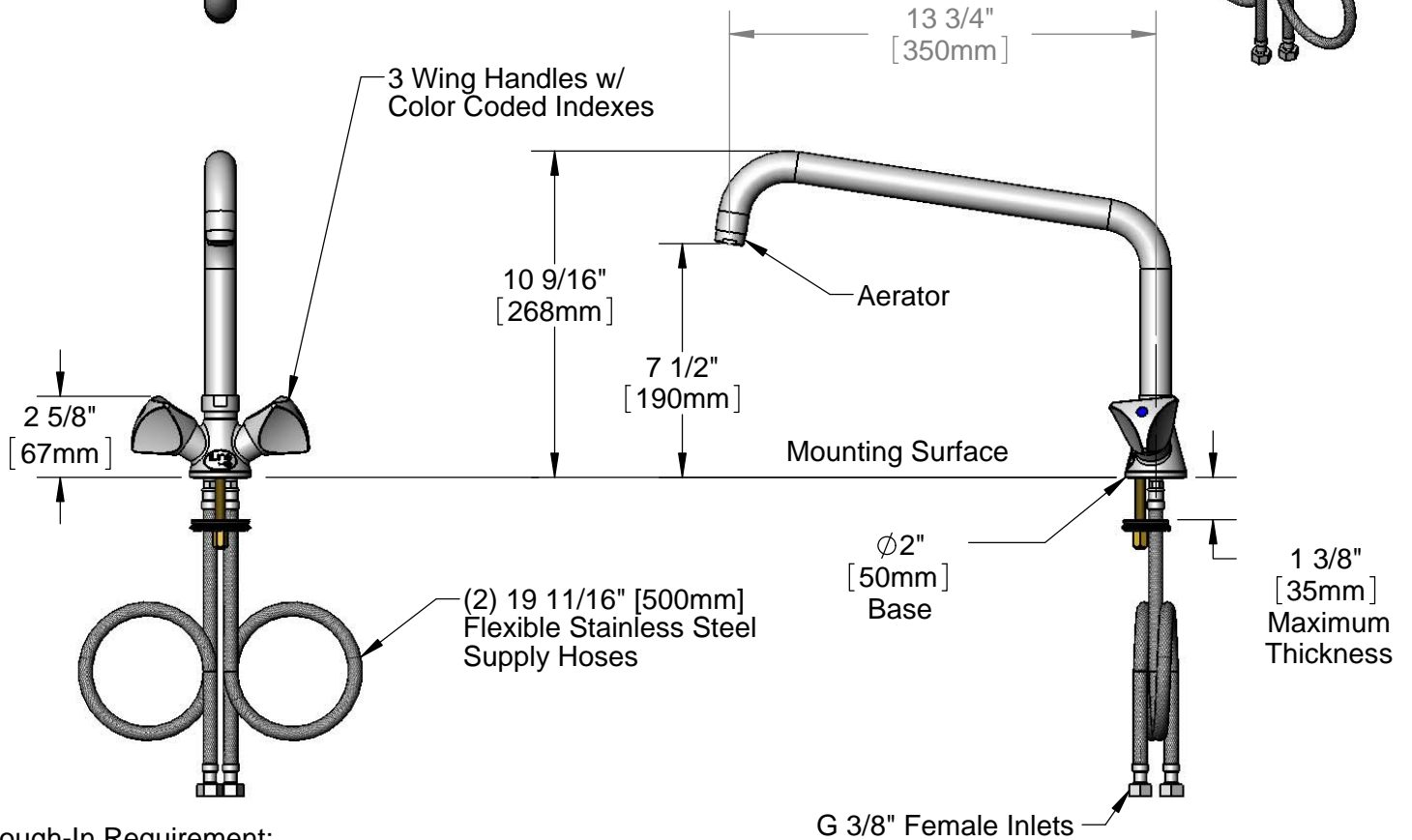
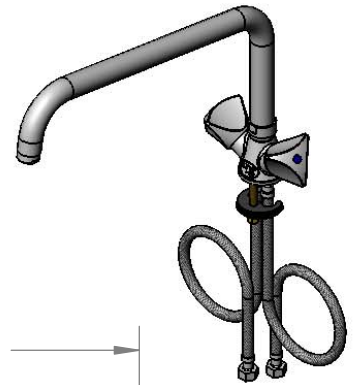
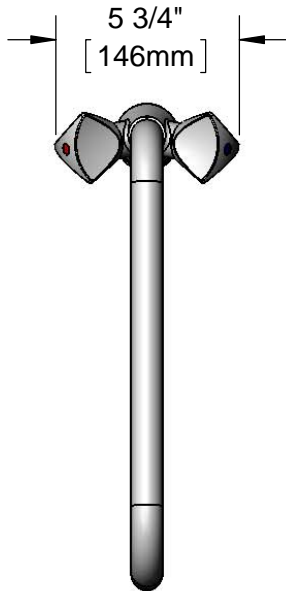
Job Name _____ Date _____

Model Specified _____ Quantity _____

Customer/Wholesaler _____

Contractor _____

Architect/Engineer _____



Rough-In Requirement:
 ϕ 1 1/2" [38mm] Mounting Hole

Product Specifications:
 Single Hole Deck Mount Mixing Faucet, 3 Wing Handles, 14" Swing Nozzle & (2) Flexible Stainless Steel Supply Hoses

Drawn DHL	Checked DMH	Approved JHB
Scale: 1:6		Date: 02/21/14