



**T&S BRASS AND BRONZE WORKS, INC.**

2 Saddleback Cove / P.O. Box 1088  
Travelers Rest, SC 29690

Model No.

**EA-2DF14-300**

Item No.

Travelers Rest, SC: 800-476-4103 • Simi Valley, CA: 800-423-0150 • Fax: 864-834-3518 • www.tsbrass.com

This Space for Architect/Engineer Approval

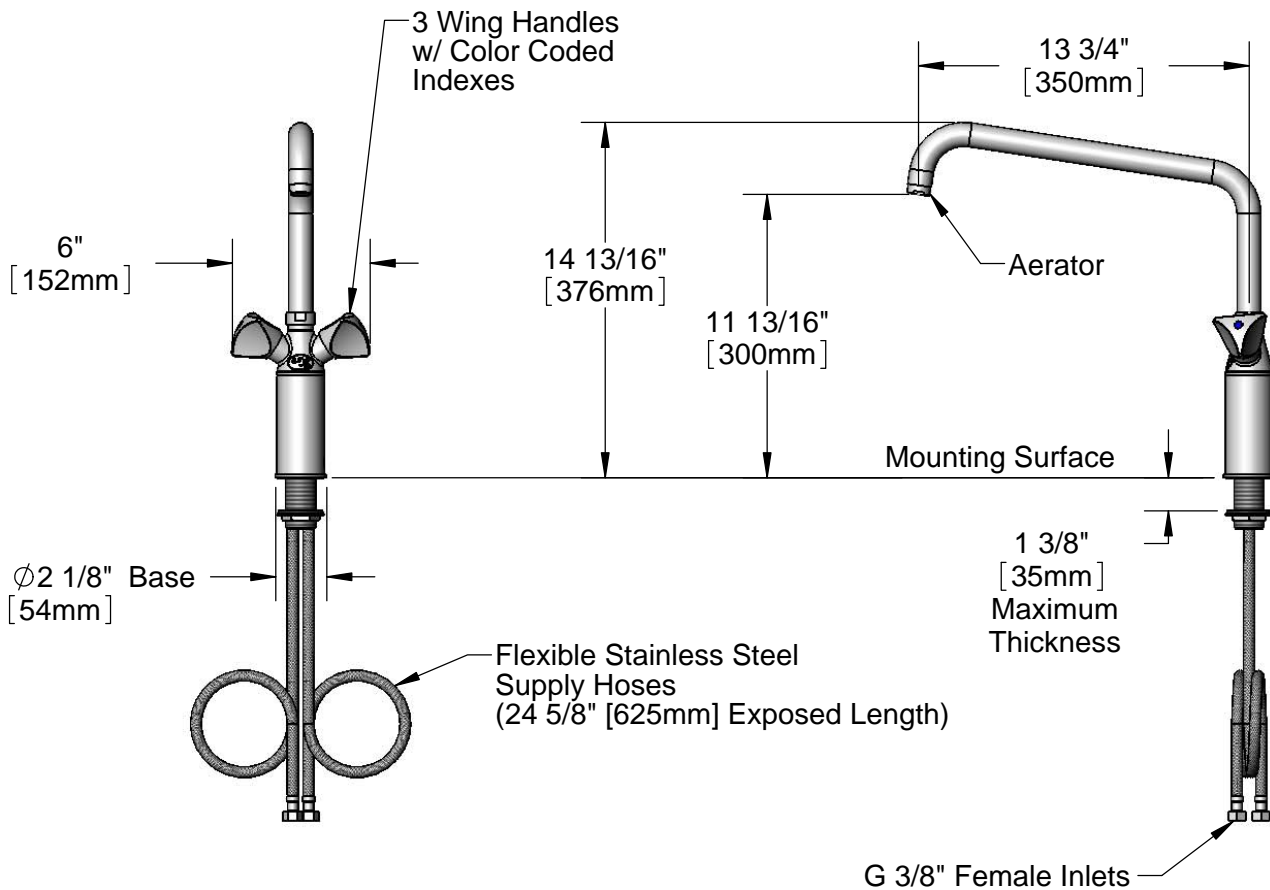
Job Name \_\_\_\_\_ Date \_\_\_\_\_

Model Specified \_\_\_\_\_ Quantity \_\_\_\_\_

Customer/Wholesaler \_\_\_\_\_

Contractor \_\_\_\_\_

Architect/Engineer \_\_\_\_\_



Rough-In Requirement:  
Ø1 1/2" [38mm] Hole

Product Specifications:  
Two Handle Deck Mount Pot Filler Faucet w/ 14" Swing Nozzle & 300mm Clearance

Drawn

**DHL**

Checked

**DMH**

Approved

**JHB**

Scale:

**1:8**

Date:

**10/29/13**