



T&S BRASS AND BRONZE WORKS, INC.

2 Saddleback Cove / P.O. Box 1088
Travelers Rest, SC 29690

Model No.

EA-2DF09

Item No.

Travelers Rest, SC: 800-476-4103 • Simi Valley, CA: 800-423-0150 • Fax: 864-834-3518 • www.tsbrass.com

This Space for Architect/Engineer Approval

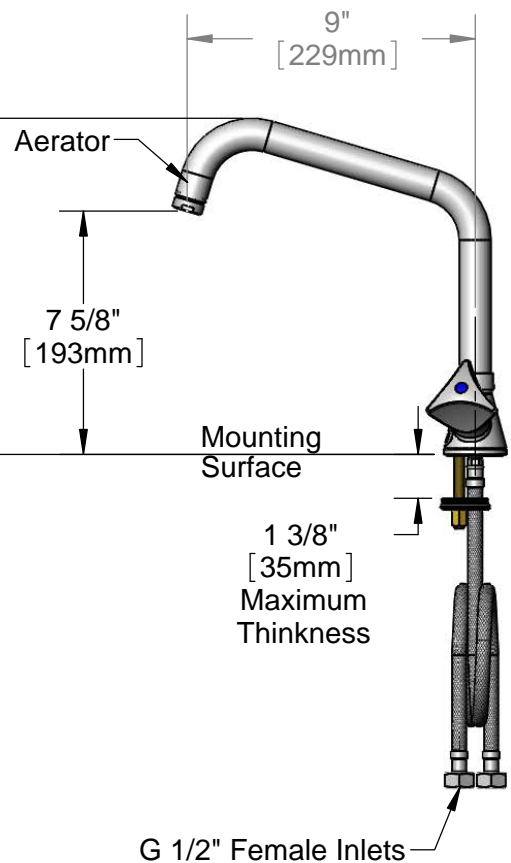
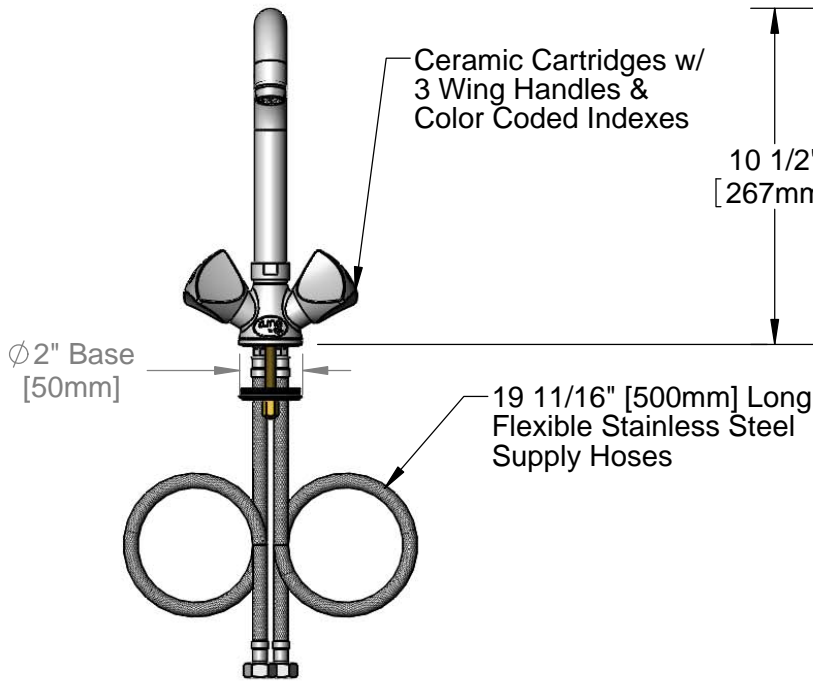
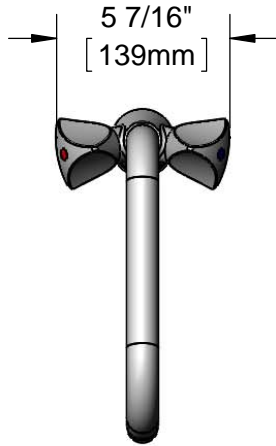
Job Name _____ Date _____

Model Specified _____ Quantity _____

Customer/Wholesaler _____

Contractor _____

Architect/Engineer _____



Rough-In Requirement:
Ø 1 1/2" [38mm] Hole

Product Specifications:
Single Hole Deck Mount Mixing Faucet, 3 Wing Handles, 9" Swing Nozzle & Flexible Stainless Steel Hoses

Drawn DMH	Checked KJG	Approved JHB
Scale: 1:6		Date: 07/24/15



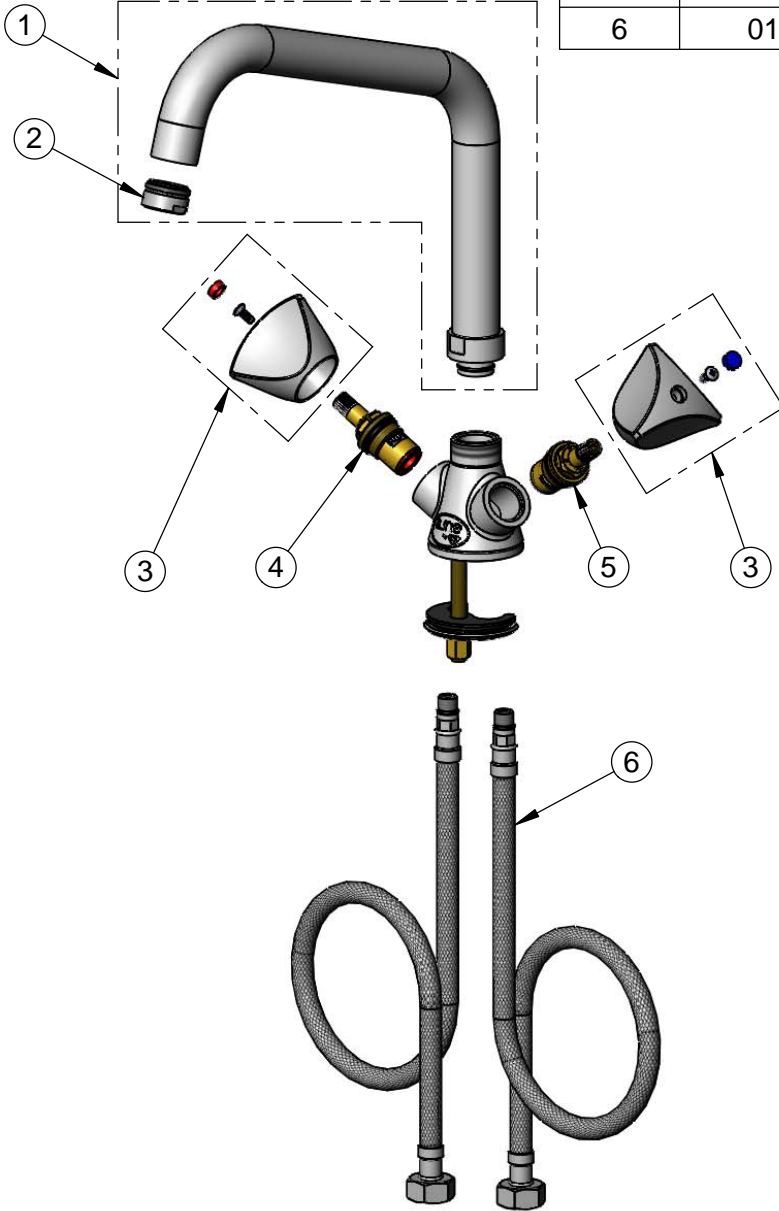
T&S BRASS AND BRONZE WORKS, INC.
 2 Saddleback Cove / P.O. Box 1088
 Travelers Rest, SC 29690

Model No.
EA-2DF09

Item No.

Travelers Rest, SC: 800-476-4103 • Simi Valley, CA: 800-423-0150 • Fax: 864-834-3518 • www.tsbrass.com

ITEM NO.	SALES NO.	DESCRIPTION
1	018228-45	9" Swing Nozzle, EA Models
2	EU-0199-M24-FFA	Full Flow Aerator, M24x1 Male
3	019251-45	3 Wing Handle w/ Color Coded Indexes and Screw
4	019255-45	Hot Ceramic Cartridge
5	019254-45	Cold RTC Ceramic Cartridge
6	018104-45	Flexible Connector Hose (2)



Product Specifications:
 Single Hole Deck Mount Mixing Faucet, 3 Wing Handles, 9" Swing Nozzle &
 Flexible Stainless Steel Hoses

Drawn DMH	Checked KJG	Approved JHB
Scale: NTS		Date: 07/24/15