



# T&S BRASS AND BRONZE WORKS, INC.

2 Saddleback Cove / P.O. Box 1088  
Travelers Rest, SC 29690

Model No.

**EU-7143**

Item No.

Travelers Rest, SC: 800-476-4103 • Simi Valley, CA: 800-423-0150 • Fax: 864-834-3518 • www.tsbrass.com

This Space for Architect/Engineer Approval

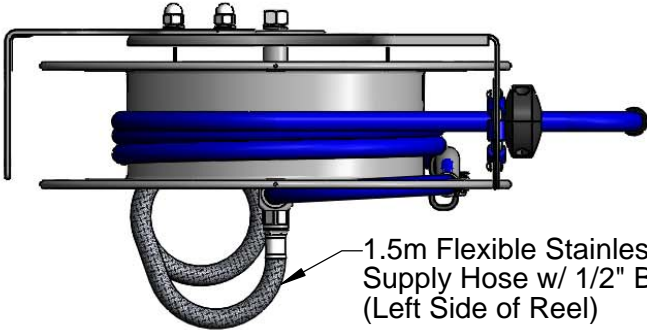
Job Name \_\_\_\_\_ Date \_\_\_\_\_

Model Specified \_\_\_\_\_ Quantity \_\_\_\_\_

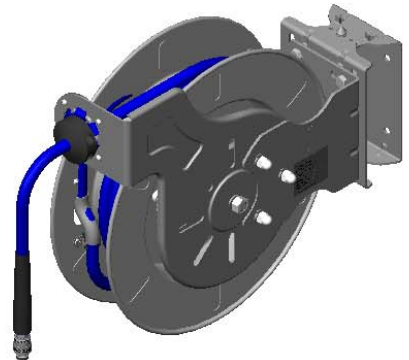
Customer/Wholesaler \_\_\_\_\_

Contractor \_\_\_\_\_

Architect/Engineer \_\_\_\_\_



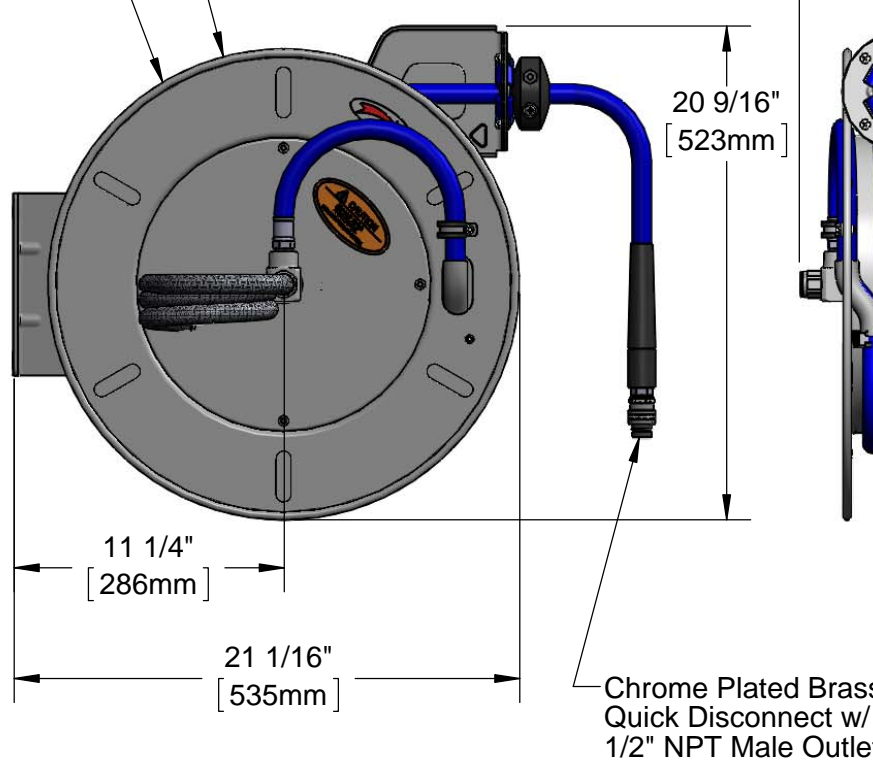
1.5m Flexible Stainless Steel Supply Hose w/ 1/2" BSPP Female Inlet (Left Side of Reel)



Open Stainless Steel Hose Reel  
50' [15.24m] of 1/2" [12.7mm] Hose

Ø 19 5/8"  
[498mm]

9 9/16"  
[242mm]



Chrome Plated Brass Quick Disconnect w/ 1/2" NPT Male Outlet

Wall Bracket

3 9/16"  
[90mm]

5 9/16"  
[142mm]

Ø 1/2"  
[13mm]

Hose Reel Base

6 3/16"  
[158mm]

Ø 1/2"  
[13mm]

7 9/16"  
[193mm]

6"  
[152mm]

13/16"  
[21mm]

1/2"  
[13mm]

3 1/8"  
[79mm]

**Product Specifications:**

1/2" x 50' [12.7mm x 15.24m] Open Stainless Steel Reel w/ 1/2" NPT Quick Disconnect, 1.5m Flexible Stainless Steel Supply Hose w/ 1/2" BSPP Female Inlet & EasyInstall Stainless Steel Hose Reel Bracket w/ Reel-to-Bracket Mounting Hardware

**Product Compliance:**

NSF 61 Exempt (Non-Potable)



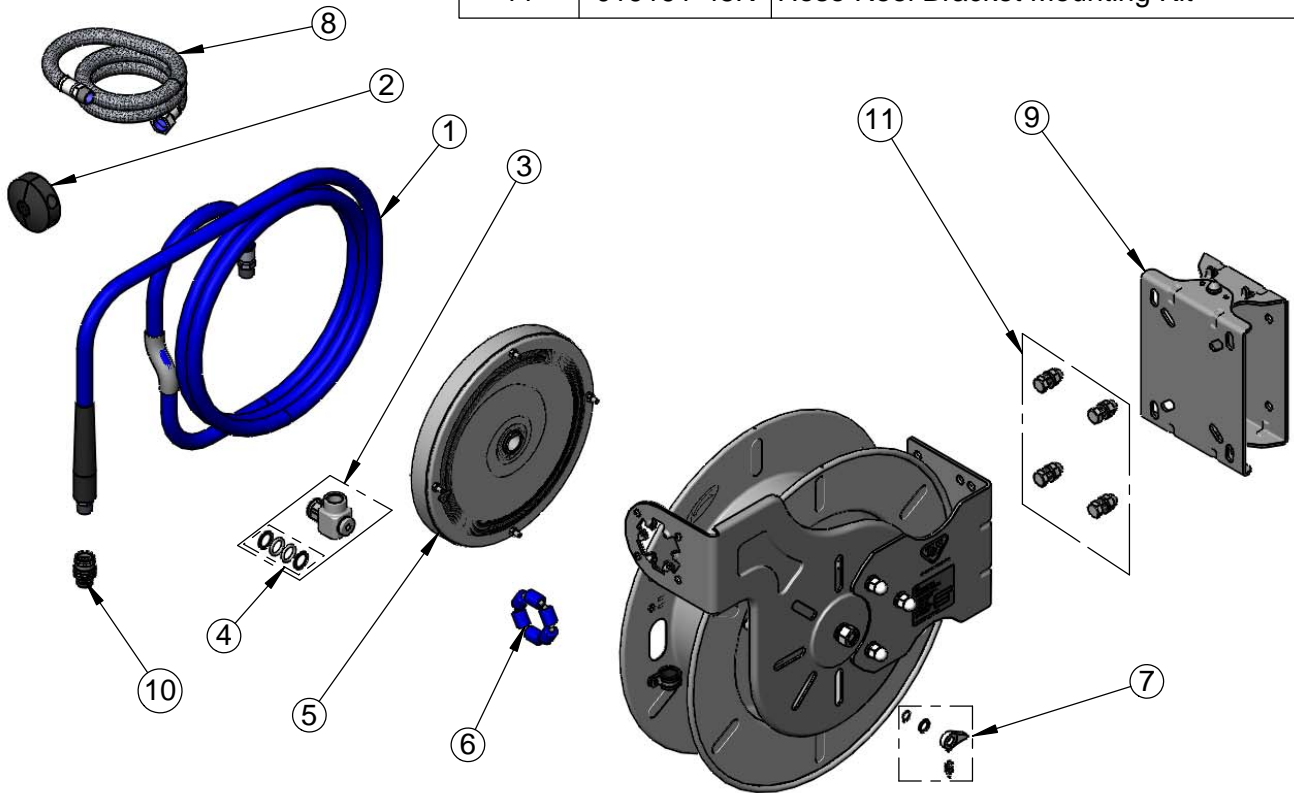
**T&S BRASS AND BRONZE WORKS, INC.**  
 2 Saddleback Cove / P.O. Box 1088  
 Travelers Rest, SC 29690

Model No.  
**EU-7143**

Item No.

Travelers Rest, SC: 800-476-4103 • Simi Valley, CA: 800-423-0150 • Fax: 864-834-3518 • www.tsbrass.com

ITEM NO.	SALES NO.	DESCRIPTION
1	014945-45	1/2" x 50' [12.7mm x 15.24m] Hose Replacement Kit
2	019499-45	1/2" [12.7mm] Hose Stop Repair Kit
3	014947-45	1/2" [12.7mm] Swivel Repair Kit
4	019473-45	O-Ring Replacement Kit
5	014935-45	Large Stainless Steel Spring
6	014938-45	Roller Replacement Kit
7	014940-45	Ratchet Repair Kit
8	017888-45	1.5m Flexible Stainless Steel Supply Hose w/ 1/2" BSPP Female x 1/2" NPT male
9	G019430-45	EasyInstall Stainless Steel Hose Reel Swing Bracket
10	018399-45	1/2" NPT Chrome Plated Brass Quick Disconnect
11	019191-45K	Hose Reel Bracket Mounting Kit



**Product Specifications:**  
 1/2" x 50' [12.7mm x 15.24m] Open Stainless Steel Reel w/ 1/2" NPT Quick Disconnect, 1.5m Flexible Stainless Steel Supply Hose w/ 1/2" BSPP Female Inlet & EasyInstall Stainless Steel Hose Reel Bracket w/ Reel-to-Bracket Mounting Hardware

**Product Compliance:**  
 NSF 61 Exempt (Non-Potable)