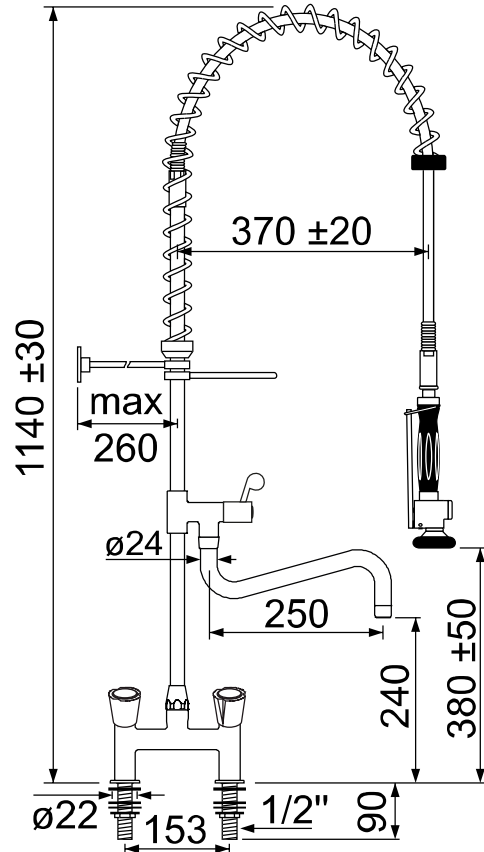


Item-No. 591000



Technical Data

version	with bridge mixer tap
type	Premium Plus
upper part	tap head 3/4"
description	with swivel tap 250mm

connection	1/2"
handle type	hood handle
table opening	2x ø 22mm
hole distance	153mm

Product Information

- bridge mixer tap, cast brass, chromated, with tap head 3/4" and metal hood handles
- connection 1/2", with backflow preventer, table opening ø 2x 22mm, thread length 90mm
- riser pipe, length 715mm, with lever handle and 90° ceramic tap head
- swivel spout, S-type, pipe-ø 24mm, spout projection 250mm, with aerator, spout height 240mm
- spring, stainless steel, ø 38,5mm, wire-ø 6mm, with black hose protector
- durable spray gun with high flow rate, type Premium Plus
- mounting parts made of chromed metal, incl. wall holder 250mm, can be cut to length to 25mm
- shower hose, length 1000mm, SS-Agraffe, with bend protection, connection 1/2", operating pressure 10bar, burst pressure 40bar, T.max 90°C, KTW approved