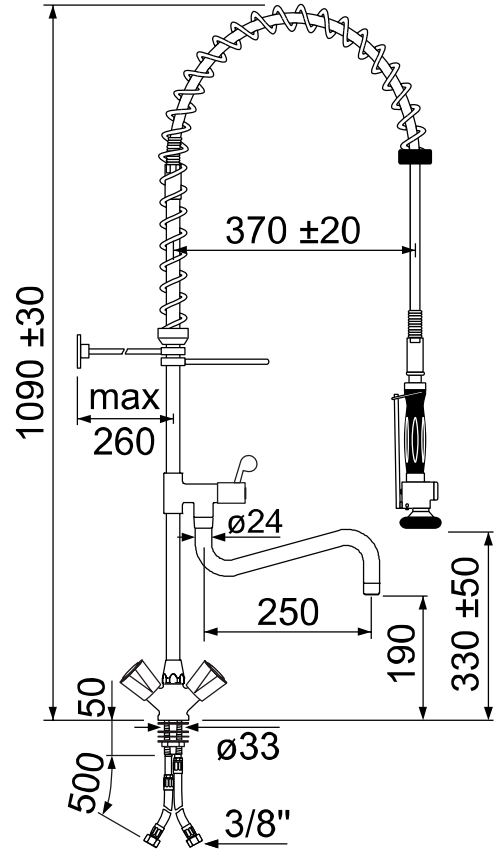


Item-No. 591001



Technical Data

version	with monobloc tap
type	Premium Plus
upper part	tap head 3/4"
description	with swivel spout 250mm

connection	3/8"
handle type	hood handle
table opening	ø 33mm

Product Information

- monobloc tap, cast brass, chromated, with 3/4" tap heads and metal hood handles, table opening ø 33mm, mounting thread length 50mm
- SS-flex hoses, DN8, length 500mm, connection 3/8" with backflow preventers, operating pressure 10bar, test pressure 32bar, burst pressure 95bar, DVGW approved
- riser pipe, length 715mm, with lever handle and 90° ceramic tap head
- swivel spout, S-type, pipe-ø 24mm, spout projection 250mm, with aerator, spout height 240mm
- shower spring, stainless steel, ø 38,5mm, wire-ø 6mm, with black hose protector
- durable spray gun with high flow rate, type Premium Plus
- mounting components, chromated metal, incl. wall mount 250mm, can be cut to length to 25mm
- shower hose, length 1000mm, SS-Agraffe, with bend-protection on both ends, connection 1/2", operating pressure 10bar, burst pressure 40bar, T.max 90°C, KTW approved