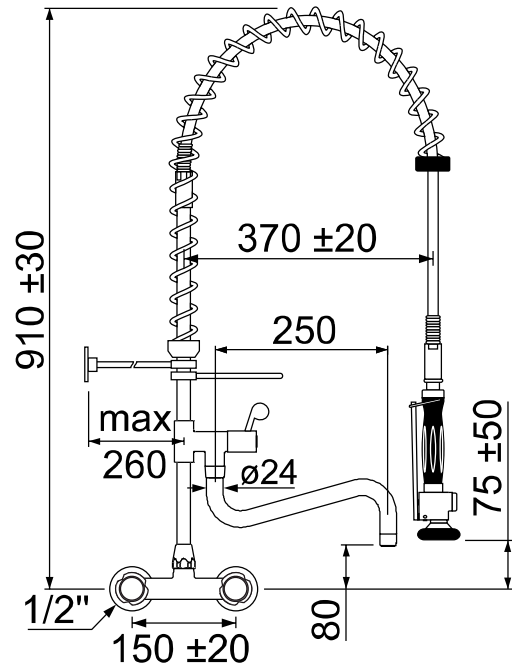


Item No. 591003



### Technical Data

version	with wall-mounted tap
type	Premium Plus
upper part	tap head 3/4"
description	with swivel spout 250mm

connection	1/2"
handle type	hood handle
hole distance	150 ±20mm

### Product Information

- wall-mounted tap, cast brass, chromated, with 3/4" tap head, with metal hood handles, connection 1/2", eccentric connection distance 150 ±20mm with, with backflow preventers
- riser pipe, length 450mm, with lever handle and 90° ceramic tap head
- swivel spout, S-type, ø 24mm, projection 250mm, with aerator, spout height 240mm
- shower spring, stainless steel, ø 38,5mm, wire-ø 6mm, with black hose protector
- durable spray gun with high flow rate, type Premium Plus
- mounting components, metal chromated, incl. wall holder, 250mm, can be cut length to 25mm
- shower hose, 1000mm, with SS-Agraffe and bend protectors, connection 1/2", operating pressure 10bar, burst pressure 40bar, T.max 90°C, KTW approved