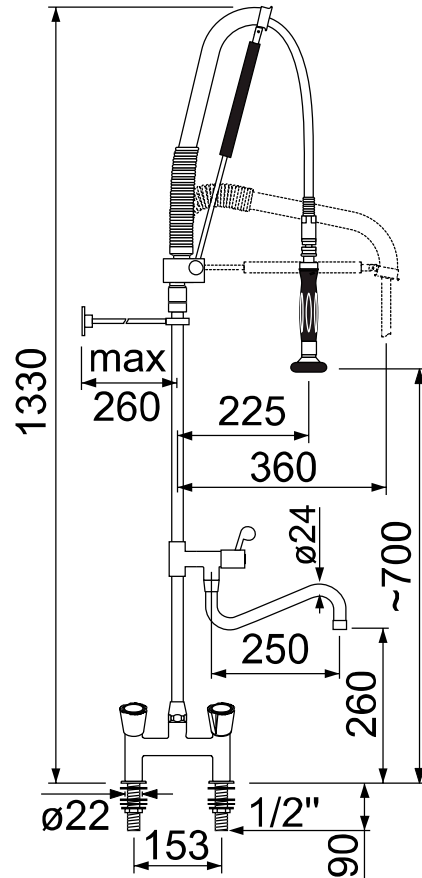


Item-No. 591012



Technical Data

version	with bridge mixer tap
type	Premium Plus
upper part	tap head 3/4"
description	with swivel tap 250mm

connection	1/2"
handle type	hood handle
table opening	2x $\varnothing 22$ mm
hole distance	153mm

Product Information

- bridge mixer tap, cast brass, chromated, with 3/4"-tap head and metal hood handles, connection 1/2", with backflow preventers, table opening 2x $\varnothing 22$ mm, mounting thread length 90mm
- riser pipe, length 715mm, with lever handle and 90° ceramic tap head
- swivel spout, S-type, pipe- $\varnothing 24$ mm, projection 250mm with aerator, spout height 200mm
- automatic unit, valve chromated brass, gas tension spring, SS-spiral-wound shower hose, length 875mm, with bend protection, KTW approved connection 1/2", DN8, operating pressure 10bar, burst pressure 40bar, T.max 90°C
- spray gun with high flow rate, with ball joint connector, 360° revolvable
- wall holder, chromated brass, length 250mm, can be cut to length of 25mm