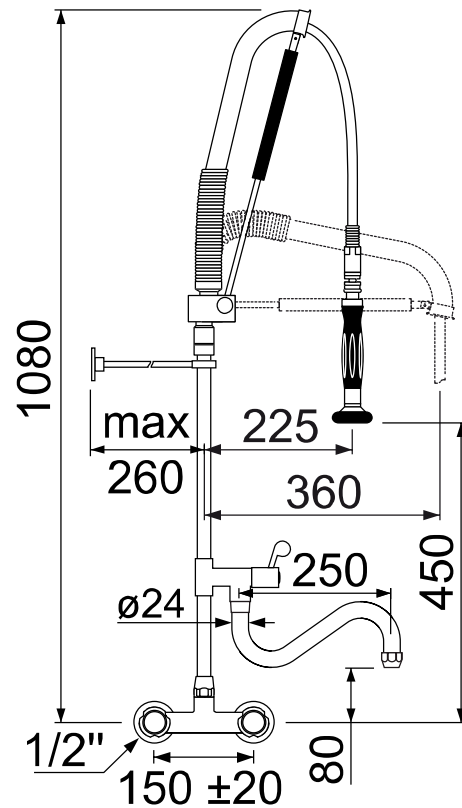


Item-No. 591046



## Technical Data

version	with wall-mounted tap
type	Premium Plus Automatic
upper part	tap head 3/4"
description	with swivel spout 250mm

connection	1/2"
handle type	hood handle
hole distance	150 $\pm$ 20

## Product Information

- wall-mounted tap, cast brass, chromated, with 3/4" tap head, with metal hood handles, connection 1/2", eccentric connection distance 150  $\pm$  20mm, with backflow preventers
- connection 1/2", with backflow preventer
- riser pipe, length 450mm, with lever handle and 90° ceramic tap head
- swivel spout, S-type,  $\varnothing$  24mm, projection 250mm, with aerator, spout height 200mm
- automatic unit, valve chromated brass, gas tension spring, SS-Agraffe hose with bend protection, length 875mm, connection 1/2", DN8, operating pressure 10bar, burst pressure 40bar, T.max 90°C, KTW approved
- spray gun with high flow rate, with ball joint connector, 360° revolvable
- wall-holder chromated brass, length 250mm, can be cut to length to 25mm