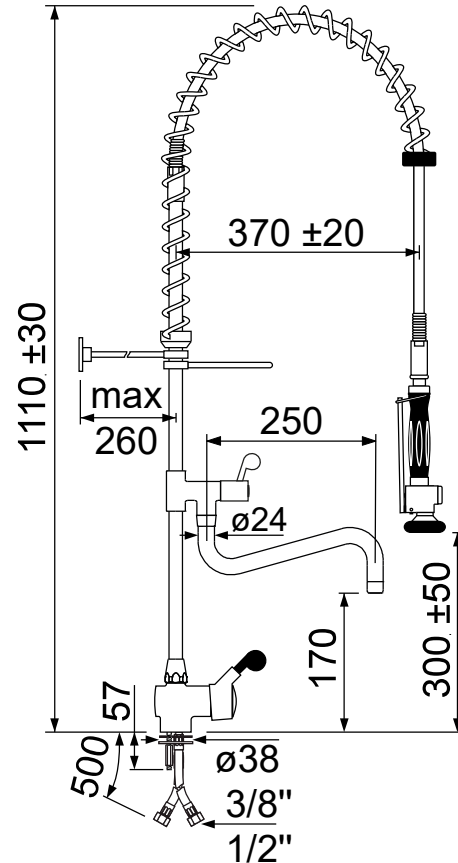


Item-No. 591040



### Technical Data

version	with single lever monobloc tap
type	Premium Plus
upper part	ceramic cartridge $\varnothing 40$ mm
description	with swivel spout 250mm

connection	1/2" - 3/8"
handle type	lever handle short
table opening	$\varnothing 38$ mm

### Product Information

- single lever monobloc tap, cast brass, chromated, with ceramic cartridge  $\varnothing 40$ mm, with short lever handle, table opening  $\varnothing 38$ mm, mounting thread length 57mm
- SS-flex hoses, DN8, length 500mm, connection 1/2" (with adaptor 3/8"), with backflow preventers, DVGW approved, operating pressure 10bar, test pressure 32bar, burst pressure 95bar
- riser pipe, length 715mm, with lever handle and 90° ceramic tap head
- swivel spout, S-type,  $\varnothing 24$ mm, spout projection 250mm, with aerator, spout height 240mm
- shower spring, stainless steel,  $\varnothing 38,5$ mm, wire- $\varnothing 6$ mm, with black hose protector
- durable spray gun with high flow rate, type Premium Plus
- mounting components, chromated metal, incl. wall mount 250mm, can be cut to length to 25mm
- shower hose, length 1000mm, SS-Agraffe, with bend preventers, connection 1/2", operating pressure 10bar, burst pressure 40bar, T.max 90°C, KTW approved