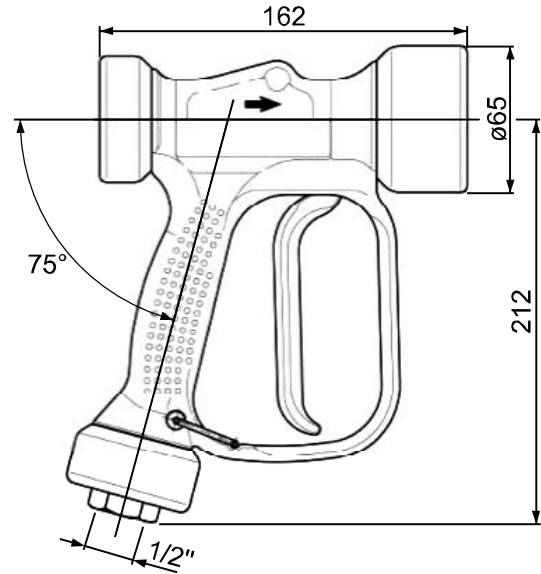


Item-No. 591357



Technical Data

connection	1/2"
length	162mm
water pressure	up to 24bar
flow rate	25l/min at 5bar

operating temp max.	60°C
peak temp	90°C
type	RB65

Product Information

- spray gun, brass/stainless steel, in plastic casing
- blue EPDM-rubber-padding protects from shock and heat transfer
- connection 1/2", gasket material Viton (FD)
- suitable for use with hot water up to 60°C, short-period resistance 90°C
- steplessly variable valve opening and jet via trigger
- ergonomically styled handle, for single hand use
- handle lockable for continuous operation
- jet spray adjustable by screw