

GX18TB VE09
220-240V 50Hz ~1

COMPRESSOR

| | |
|---------------------------------|-----------------|
| Displacement (cm ³) | 18.4 |
| Diameter (mm) | 34.93 |
| Stroke (mm) | 19.2 |
| Net Weight (Kg) | 15 |
| Oil type | ISO VG 46 ESTER |
| Oil charge (cm ³) | 500 |

MOTOR

| | |
|------------------------------|-----------|
| Approximate Power (CV) | 1/2 |
| Voltage/Frequency (V/Hz) | 220V 50Hz |
| Voltage range (V) | 187-264 |
| Code | - |
| Type | CSIR |
| Phase number | 1 PH |
| Locked rotor current (A) | 24.0 |
| Main W. resist. at 25°C (Ω) | 3.4 |
| Start W. resist. at 25°C (Ω) | 26.0 |

APPLICATION

| | |
|-------------------------|-------------------------|
| Application | High/Mid. back pressure |
| Refrigerant | R134a |
| Evaporating (°C) | -25 to 10 |
| Expansion | Capillar/Valve |
| Comp. cooling | Fan cooled |
| Max. ambient temp. (°C) | 43 |

NOMINAL PERFORMANCE

| | CYCLE C | CYCLE D |
|----------------------|----------------|----------------|
| Cooling capacity (W) | 1390 | 1663 |
| Input power (W) | 727 | 755 |
| EER (kcal/Wh) | 1.64 | 1.89 |
| COP (W/W) | 1.91 | 2.20 |
| Current (A) | 4.48 | 4.60 |

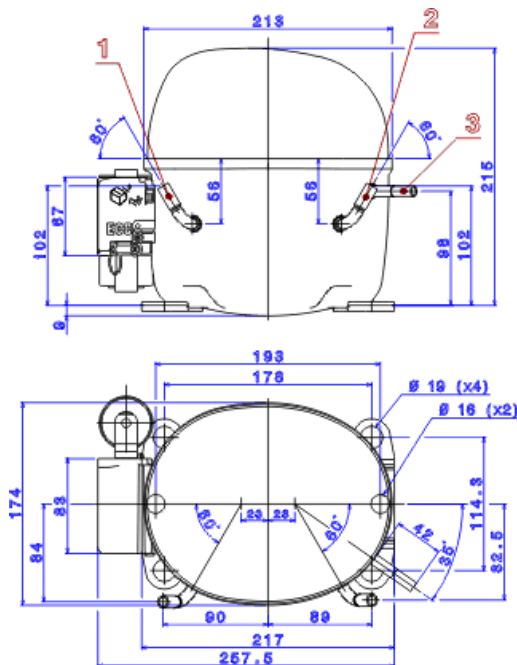
TEST CONDITIONS

| | | |
|-----------------------------|-----------|-----------|
| Evaporating temp. (°C) | 5.0 | 7.2 |
| Condensing temp. (°C) | 55.0 | 55.0 |
| Liq.t. entering expan. (°C) | 55.0 | 46.0 |
| Ambient t. and return (°C) | 32.0 | 35.0 |
| Tens/Freq (V/Hz) | 220V 50Hz | 220V 50Hz |

ELECTRICAL COMPONENTS

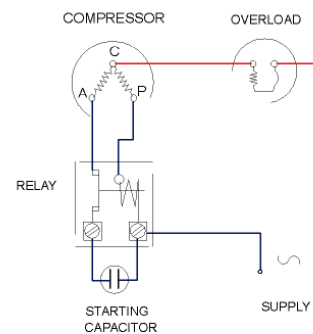
| | | |
|--------------------------------|--------------|--------------|
| Relay | 2014 170. | |
| Pick-Up | 12,10 (A) | |
| Drop-Out | 10,30 (A) | |
| Protector | MRA38134 | T0348 |
| Current (A) | 15.8 | 15.4 |
| Time check (seg) | 7.5-14 | 7.5-14 |
| Disc temp. (Open/Close) (C) | 105.0 / 52.0 | 105.0 / 52.0 |
| Starting capacitor (μF/V)/F/V) | 64- 77 / 330 | |

DIMENSIONS AND ELECTRICAL DIAGRAM



| DESIGNATION | INTERNAL DIAM. (MM) |
|-------------|---------------------|
| 1 Service | 8,1 |
| 2 Suction | 8,1 |
| 3 Discharge | 6,5 |

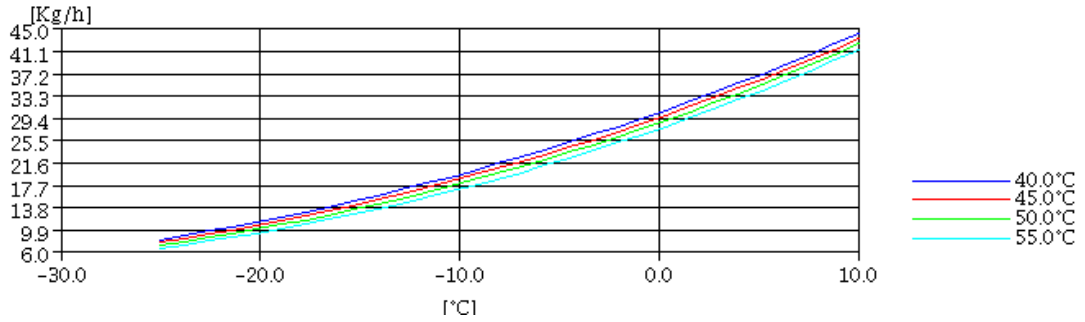
CSIR



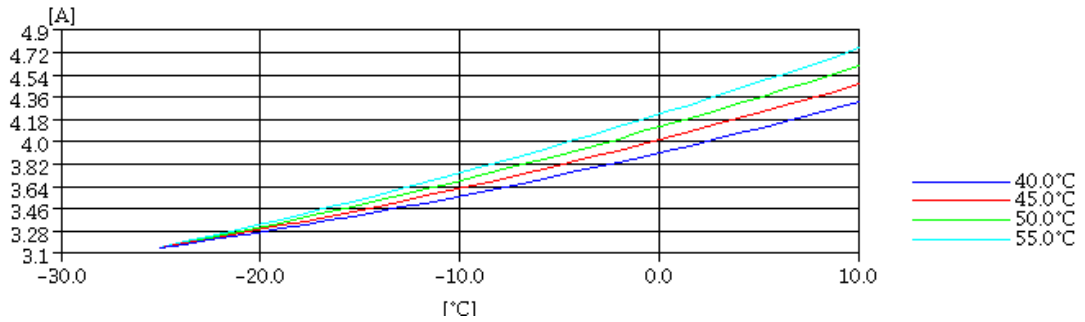
TEST CONDITIONS

| | |
|------------------------|----------------|
| Voltage/frequency | 220V 50Hz |
| Ambient t. and return | 35 °C |
| Liq.t. entering expan. | Subcooling 9 K |

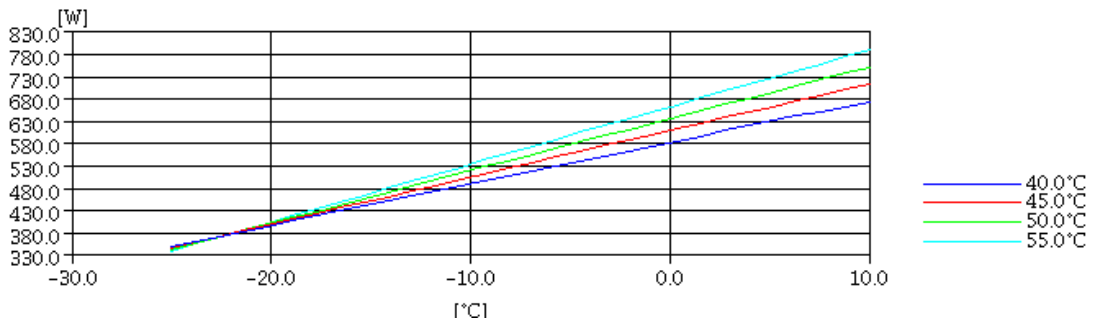
MASS FLOW



INTENSITY



CONSUMPTION



COOLING CAPACITY

